



Count on it.

Parts Catalog

**Greensmaster® eTriFlex 3370
Traction Unit**

Model No. 04591—Serial No. 40000000 and Up



Ordering Replacement Parts

To order replacement parts, please supply the part number, the quantity, and the description of each part desired.

Understanding Reference Numbers

Each identified part in an illustration has a reference number. The reference number for a part also appears in the parts list, along with other information about the part.

This catalog uses two special reference number formats, one to indicate parts in a service assembly and another to indicate the quantity of a given part in an illustration.

Service Assembly Reference Numbers

Parts in service assemblies have reference numbers in the form a:b. The a represents the reference number of the entire service assembly and the b represents a sequential number unique to each part within the service assembly.

For example, a wheel assembly might be identified by reference number 6, the tire by 6:1, the valve by 6:2, and the wheel by 6:3. When you order the assembly identified by reference number 6, you receive all parts identified by reference numbers 6:1, 6:2, and 6:3. However, you may also order any part individually. Reference numbers of this type appear in illustration and in parts lists.

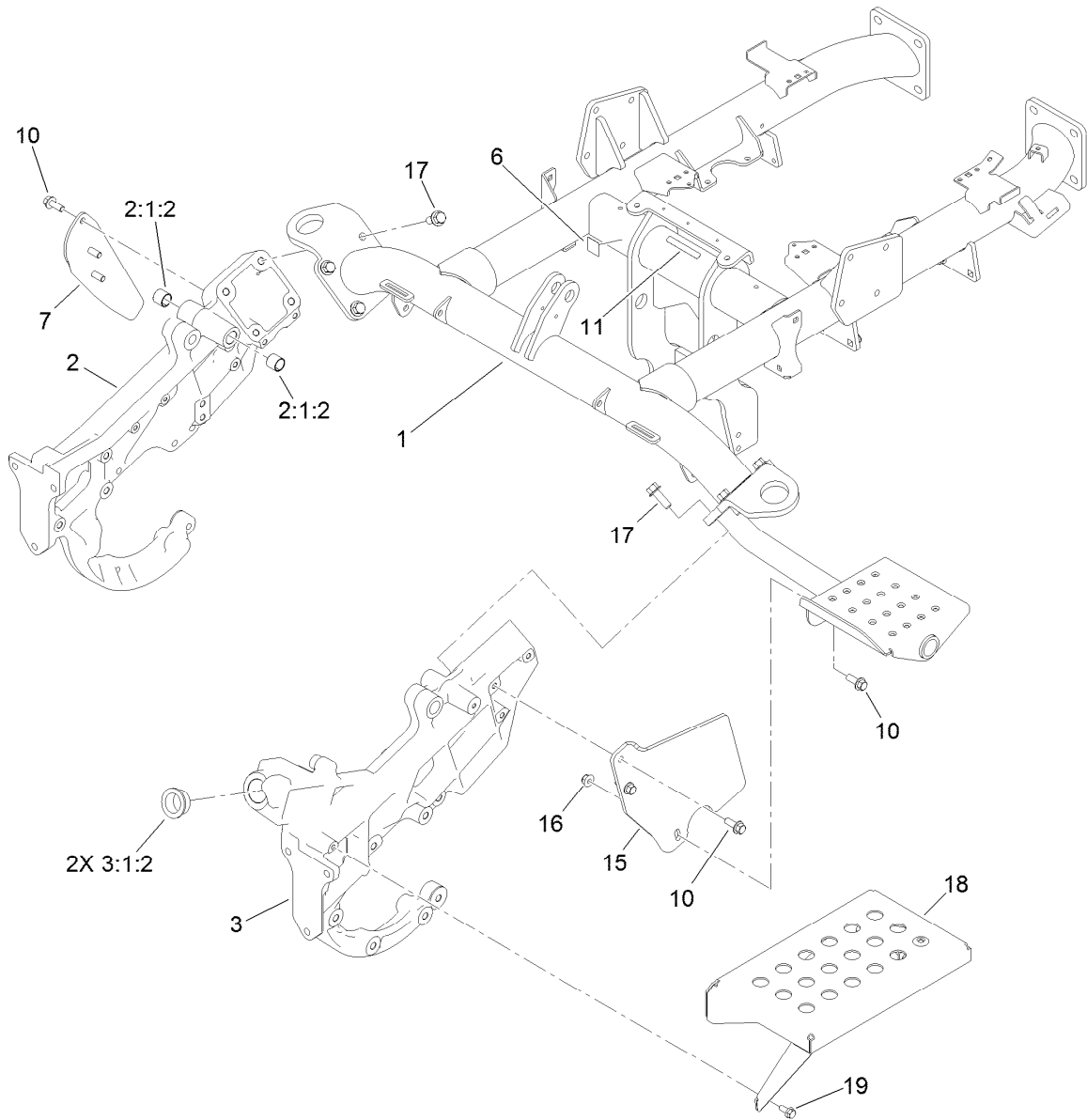
Reference Numbers Indicating Quantity

In an illustration, if a reference number indicates more than one part, the reference number has the form nX y. The n represents the quantity of the part, the X is the multiplication symbol, and the y represents the reference number.

For example, in an illustration, the reference number 2X 37 means that two of the parts identified by reference number 37 are indicated.

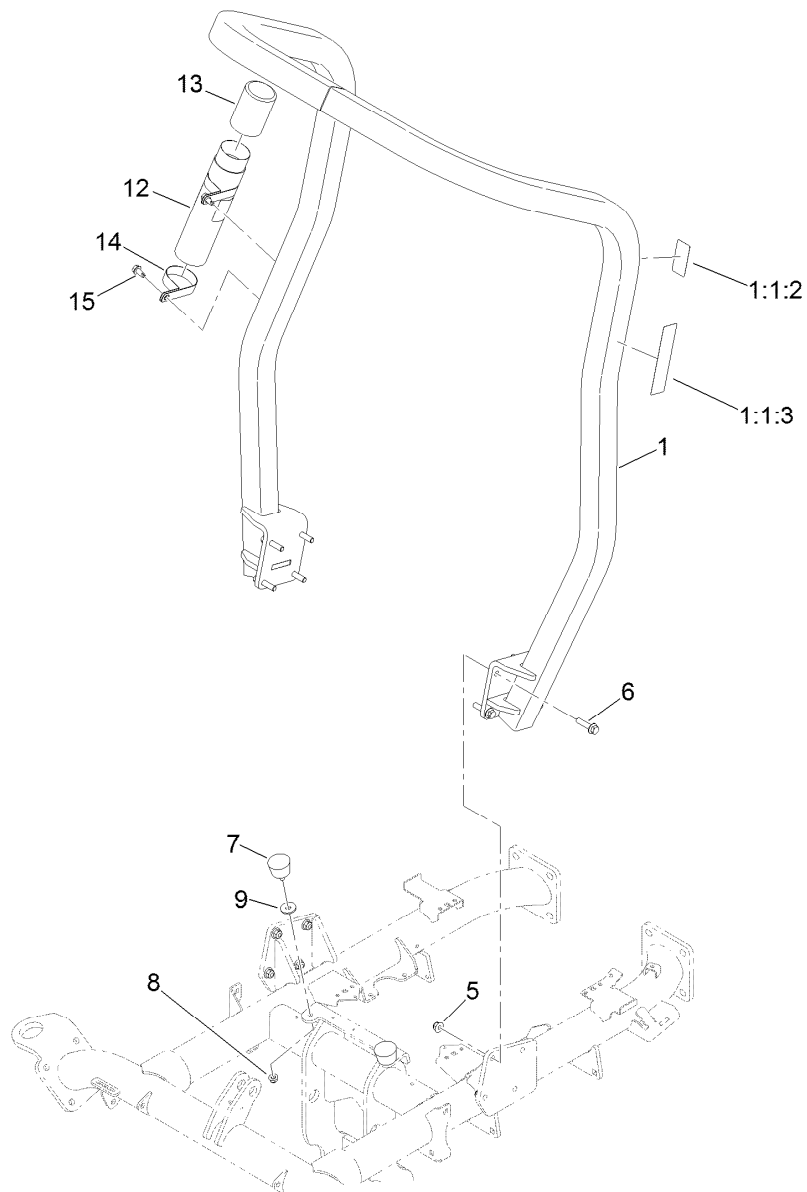
Contents

Frame Assembly.....	4
ROPS Assembly.....	5
Platform Assembly.....	6
Traction Pedal Assembly.....	7
Brake Pedal Assembly.....	8
Brake Actuator Assembly.....	9
Brake Rod Assembly No. 137-2185.....	10
Steering Assembly.....	11
Steering Housing Assembly.....	12
Wheel Spindle Assembly No. 119-4490.....	13
Console Assembly.....	14
Joystick Bracket Assembly No. 120-5280.....	15
Seat Plate Assembly.....	16
Traction Assembly.....	17
RH Wheel Motor Assembly No. 139-8565.....	18
Gearbox Assembly No. 127-1529.....	19
LH Wheel Motor Assembly No. 139-8567.....	20
Lift Assembly.....	21
Suspension, Reel Motor and Basket Assembly.....	22
Electric Reel Motor Assembly No. 138-8905.....	23
Electric Motor Assembly.....	24
Basket Assembly No. 132-9599.....	25
Suspension Pin Position Assembly.....	26
Hood Assembly.....	27
Hood Assembly No. 139-8317.....	28
Electrical Assembly.....	29
Wire Harness Assembly No. 122-2788.....	31
Controller Assembly.....	32
Harness Bracket Assembly.....	33
Battery Assembly.....	34
Suspension A-Arm Assembly.....	35
Suspension Crossarm Assembly.....	36
Attachments and Accessories.....	37



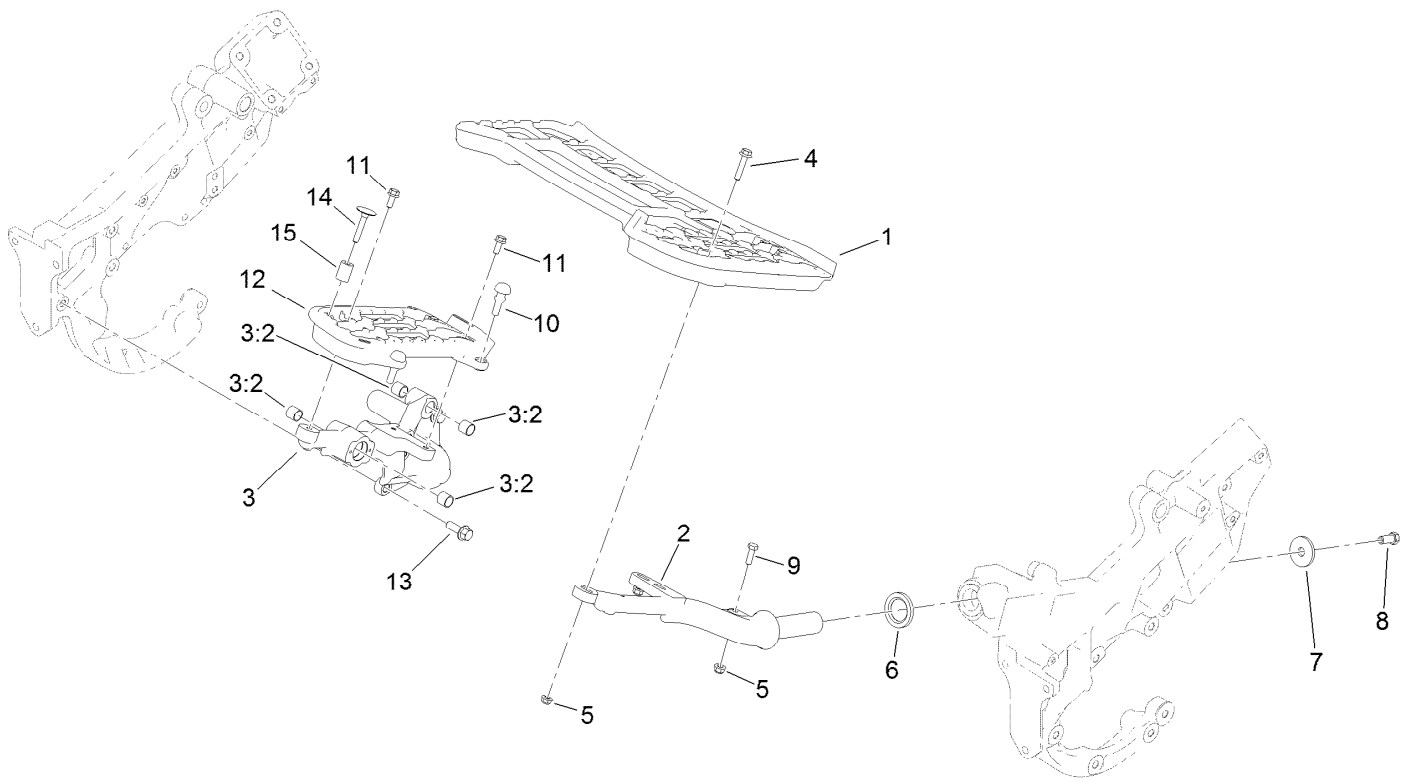
Frame Assembly

Ref.	Part Number	Qty.	Description
1	139-8585SP	1	Frame ASM
2	139-8318	1	Side Casting, RH
2:1:2	94-9609	2	Bushing-Straight
3	139-8319	1	Side Casting, LH
3:1:2	60-0080	2	Bushing
6	133-8095	1	Decal-CE
7	133-0062-01	1	Bracket-Jack
10	3234-42	6	Screw-HHF
11	133-8061	1	Decal-Warning
15	133-0004-01	1	Bracket-Step
16	104-8301	1	Nut-HF, NI
17	117-9035	8	Screw-HHF
18	132-9994-01	1	Step
19	3234-47	4	Screw-HHF



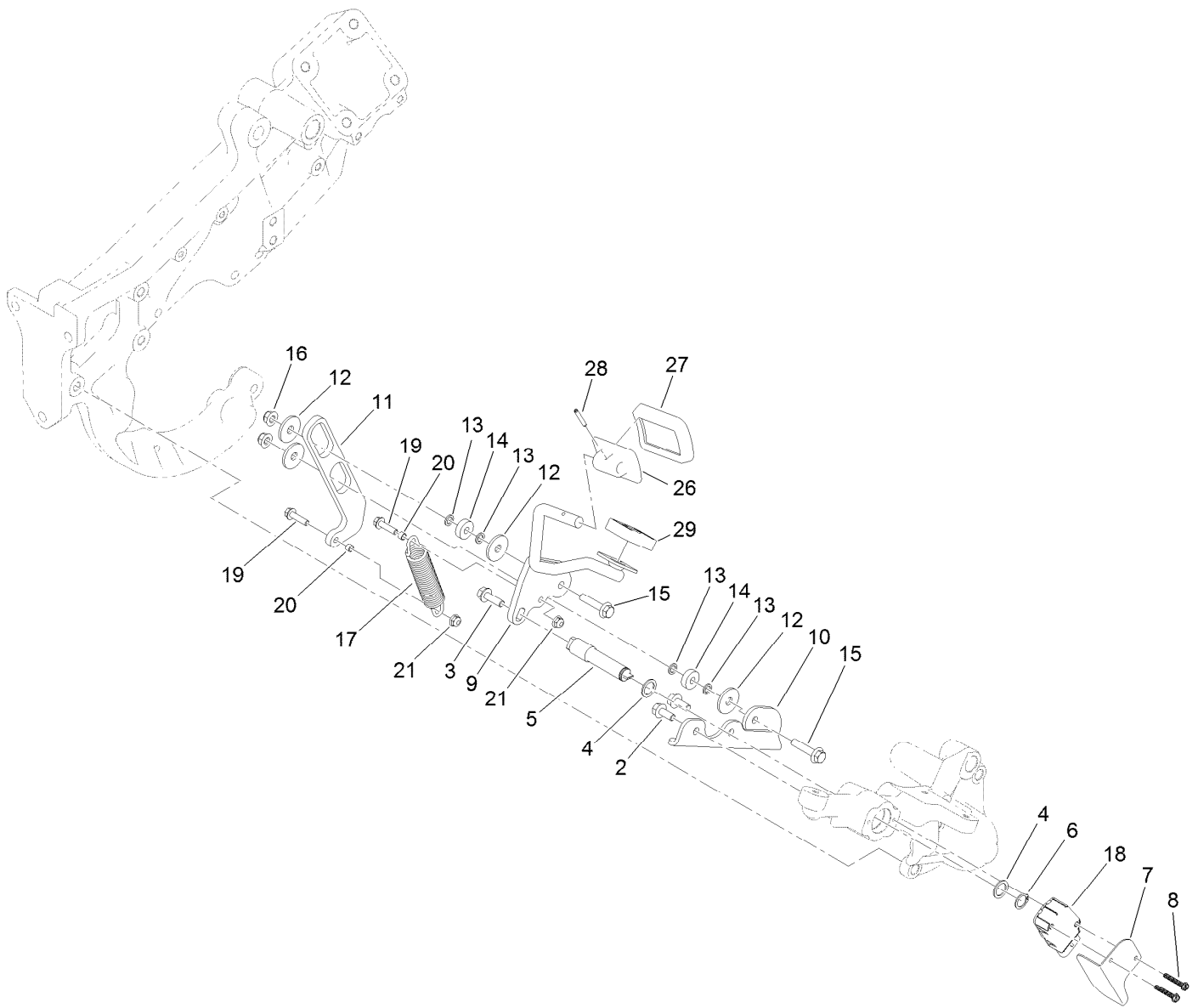
ROPS Assembly

<i>Ref.</i>	<i>Part Number</i>	<i>Qty.</i>	<i>Description</i>
1	139-8311	1	ROPS ASM
1:1:2	115-8199	1	Decal-ROPS
1:1:3	115-8226	1	Decal-ROPS
5	104-8301	8	Nut-HF, NI
6	137-7951	8	Screw-HHF
7	68-3270	2	Bumper-Rubber
8	104-8300	2	Nut-HF, NI
9	52-2861	2	Washer
12	104-7050	1	Tube-Manual
13	104-7048	1	Cap-Housing
14	2412-133	2	Clamp-R
15	32104-32	2	Screw-HWH



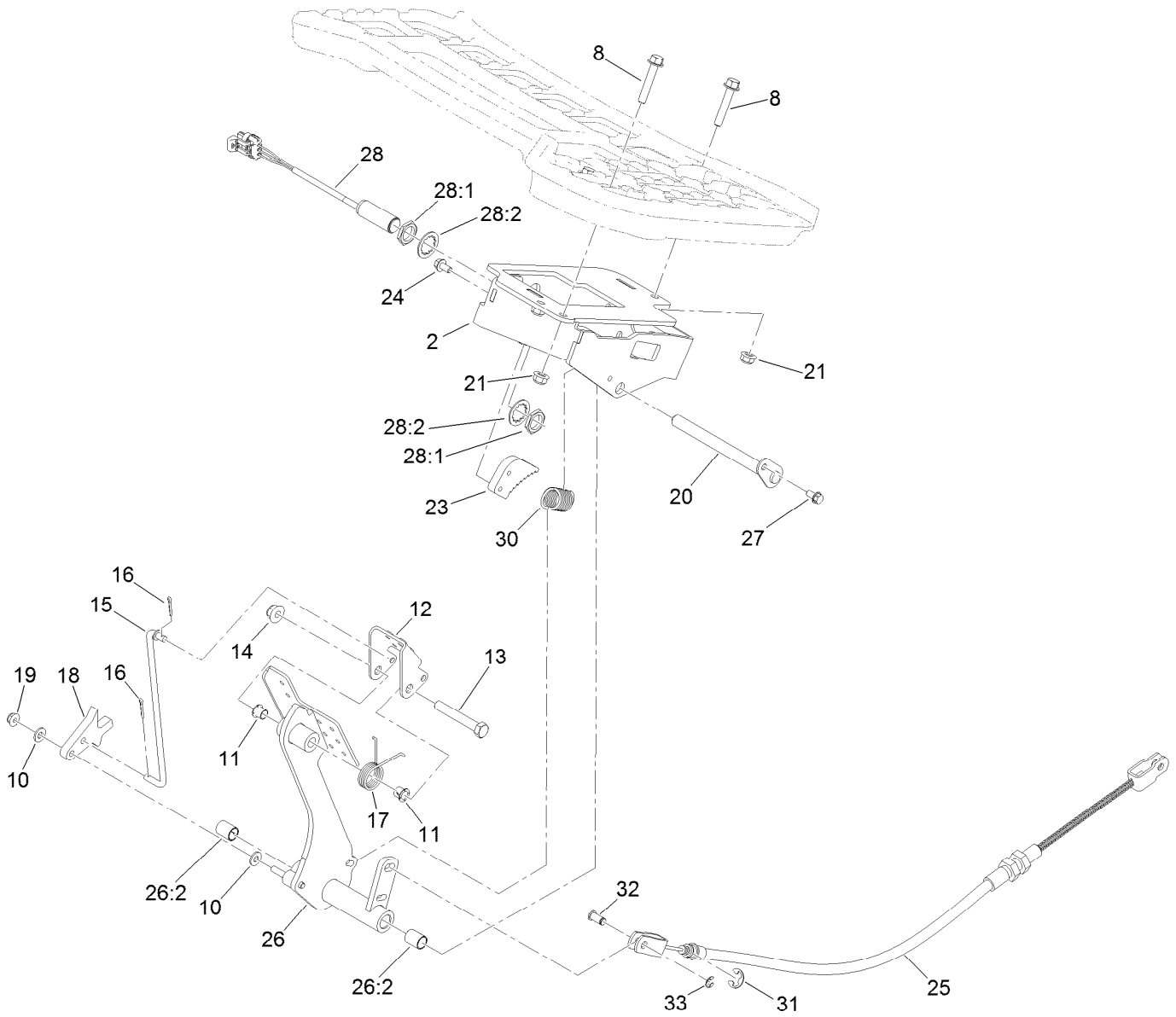
Platform Assembly

<i>Ref.</i>	<i>Part Number</i>	<i>Qty.</i>	<i>Description</i>	<i>Ref.</i>	<i>Part Number</i>	<i>Qty.</i>	<i>Description</i>
1	137-7768	1	Platform-LH	8	324-4	1	Screw-HH
2	117-9006-01	1	Support-Platform, LH	9	322-5	1	Screw-HH
3	132-9895	1	Support-Platform, RH	10	117-9072	2	Bumper-Rubber
3:2	256-311	4	Bushing-Split	11	3234-47	3	Screw-HHF
4	115-1794	3	Screw-HHF	12	117-9008	1	Platform-RH
5	104-8300	4	Nut-HF, NI	13	117-9035	3	Screw-HHF
6	94-8946	1	Washer-Thrust	14	115-8240	1	Screw-Elevator
7	84-1560	1	Washer-Thrust	15	119-0718	1	Spacer



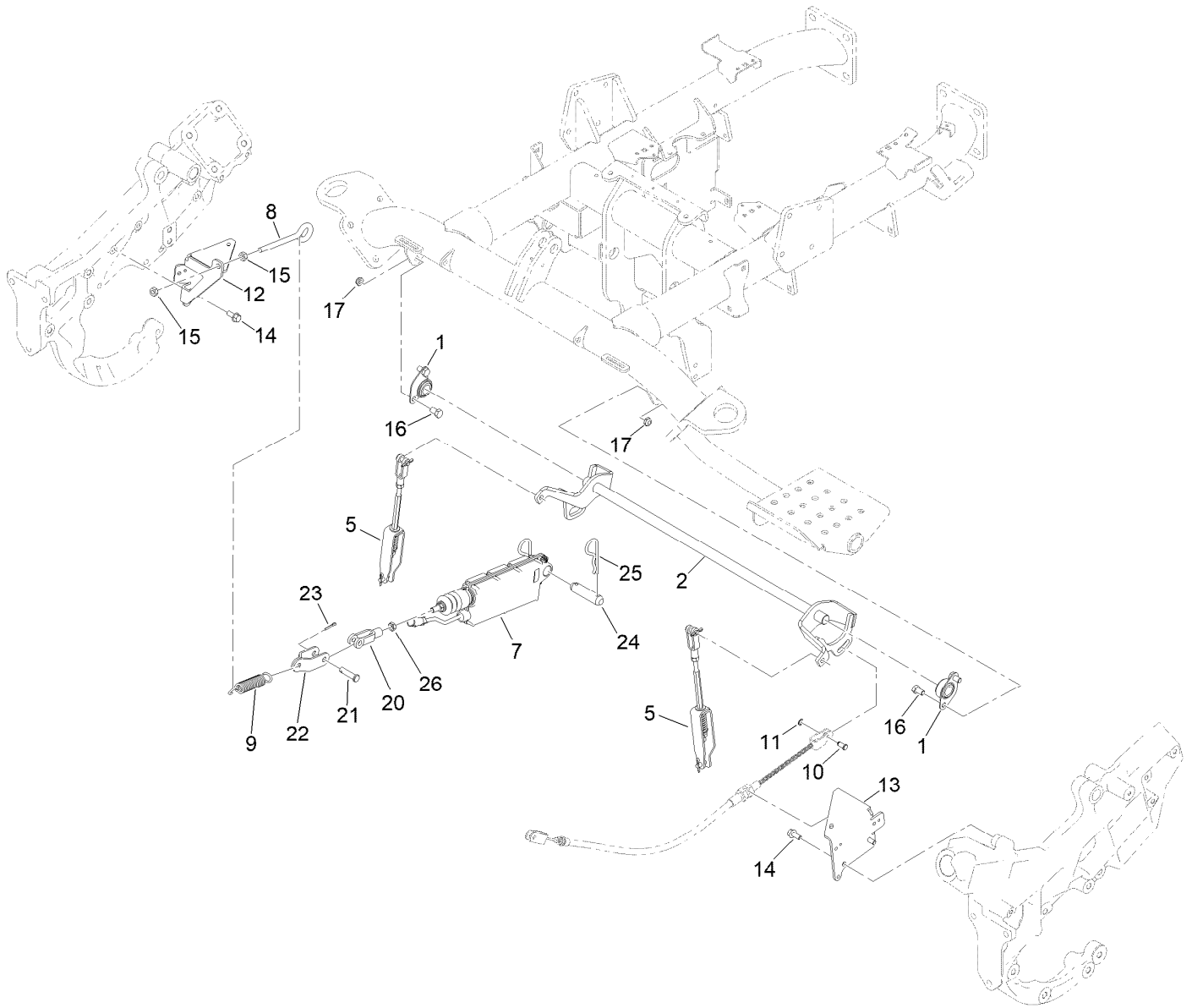
Traction Pedal Assembly

<i>Ref.</i>	<i>Part Number</i>	<i>Qty.</i>	<i>Description</i>	<i>Ref.</i>	<i>Part Number</i>	<i>Qty.</i>	<i>Description</i>
2	98-9940	2	Screw-HHF	14	251-259	2	Bearing-Ball
3	115-5142	1	Screw-HHF	15	115-1794	2	Screw-HHF
4	7-3590	2	Washer	16	104-8300	2	Nut-HF, NI
5	132-9852	1	Shaft-Pedal	17	137-7944	1	Spring-Extension
6	32151-62	1	Ring-Retaining	18	122-0917	1	Sensor-Position
7	121-7035	1	Shield-Sensor	19	120-4654	2	Screw-HHF
8	692501	2	Screw-SHWH	20	121-2015	2	Spacer
9	137-7814-01	1	Rod-Traction	21	104-7201	2	Nut-HF, NI
10	137-7811-01	1	Bracket-Control, Motion	26	117-9507	1	Pedal-Accelerator
11	145-1063	1	Link-Connecting	27	74-9100	1	Pad-Pedal, Forward
12	107675	4	Washer	28	32121-45	1	Pin-Spring
13	75-5470	4	Spacer-Bearing	29	74-9110	1	Pad-Pedal, Reverse



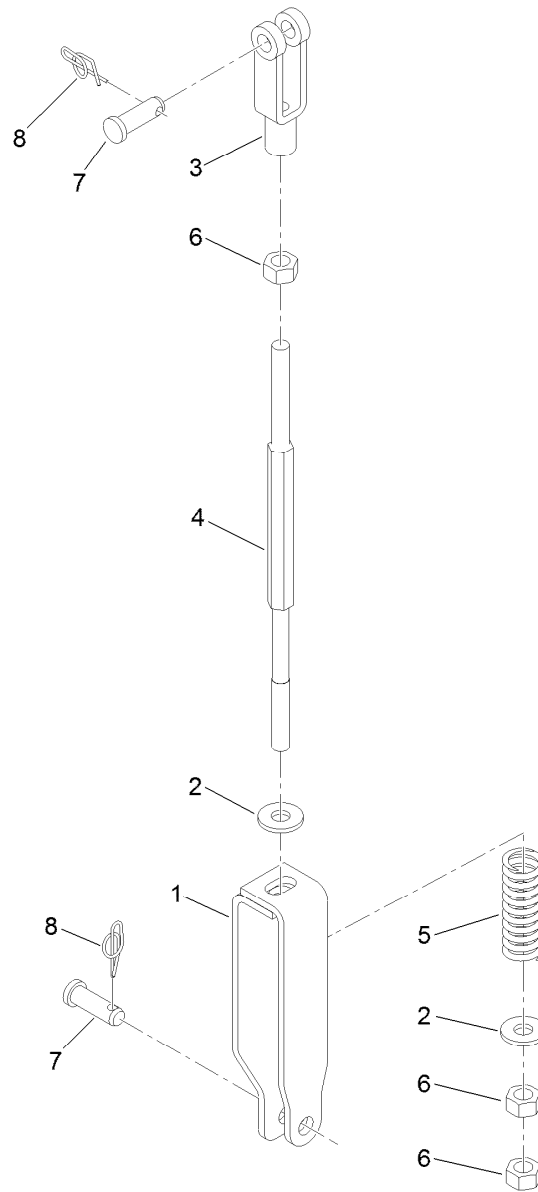
Brake Pedal Assembly

Ref.	Part Number	Qty.	Description	Ref.	Part Number	Qty.	Description
2	132-9890-03	1	Support-Pedal	23	99-7214	1	Pawl-Brake
8	94-5780	3	Screw-HWH	24	119-1065	2	Screw-HWH
10	3256-22	2	Washer-Flat	25	137-7770	1	Cable-Brake
11	52-2891	2	Bushing-Flanged, Nylon	26	137-8109	1	Brake Pedal ASM
12	99-7963-03	1	Pedal-Park	26:2	133-0090	2	Bushing-Split
13	323-12	1	Screw-HH	27	32144-4	1	Screw-HWH
14	104-8301	1	Nut-HF, NI	28	115-5300	1	Proximity Switch ASM
15	115-0129	1	Rod-Pawl, Brake	28:1	117-3207	2	Nut-Hex
16	3272-6	2	Pin-Cotter	28:2	117-3208	2	Washer-Lock, Internal Tooth
17	99-7140	1	Spring-Torsion	30	136-7316	1	Spring-Extension
18	117-0238	1	Detent	31	32120-47	1	Ring-Retaining, External
19	104-7201	1	Nut-HF, NI	32	109-6887	1	Pin-Clevis
20	133-0089	1	Pivot-Pedals	33	701197	1	E-Ring
21	104-8300	3	Nut-HF, NI				



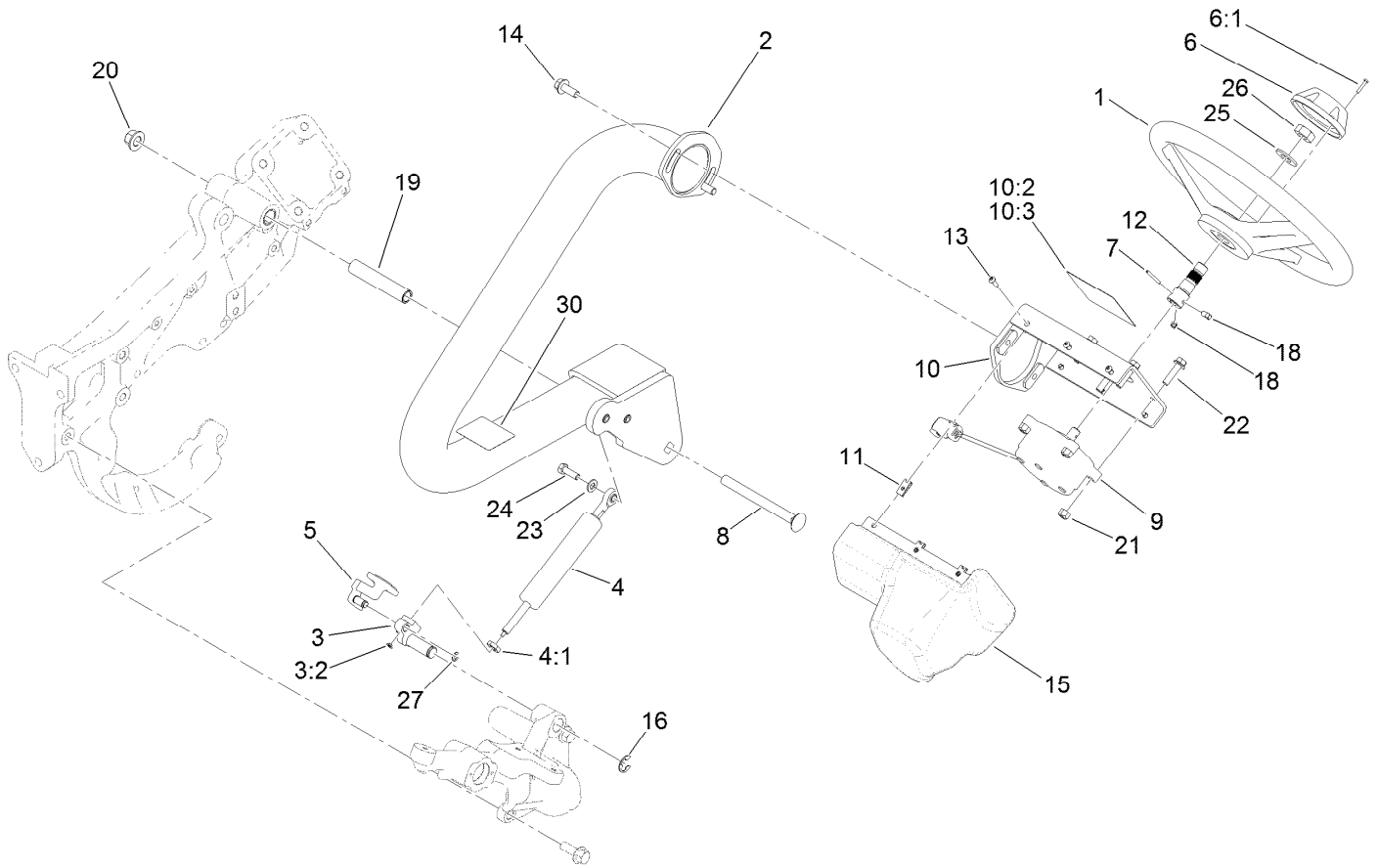
Brake Actuator Assembly

Ref.	Part Number	Qty.	Description	Ref.	Part Number	Qty.	Description
1	1-633102	2	Bearing-Flange, Side	15	3217-7	2	Nut-Hex
2	145-0060-03	1	Cross Shaft-Brake [black]	16	323-34	4	Screw-HH
5	137-2185	2	Brake Rod ASM	17	3296-59	4	Nut-Lock, NI
7	139-8587	1	Actuator-Brake	20	1-633131	1	Yoke-Linkage, Brake
8	137-8026	1	Bolt-Eye	21	283-10	1	Pin-Clevis
9	93-5985	1	Spring-Extension	22	137-7838	1	Link ASM
10	109-6887	1	Pin-Clevis	23	3272-10	1	Pin-Cotter
11	701197	1	E-Ring	24	27-4240	1	Pin-Cylinder
12	137-7790-03	1	Bracket-Spring	25	3290-256	2	Pin-Hair
13	137-7769-03	1	Bracket-Cable	26	3220-3	1	Nut-HJ
14	98-9940	4	Screw-HHF				



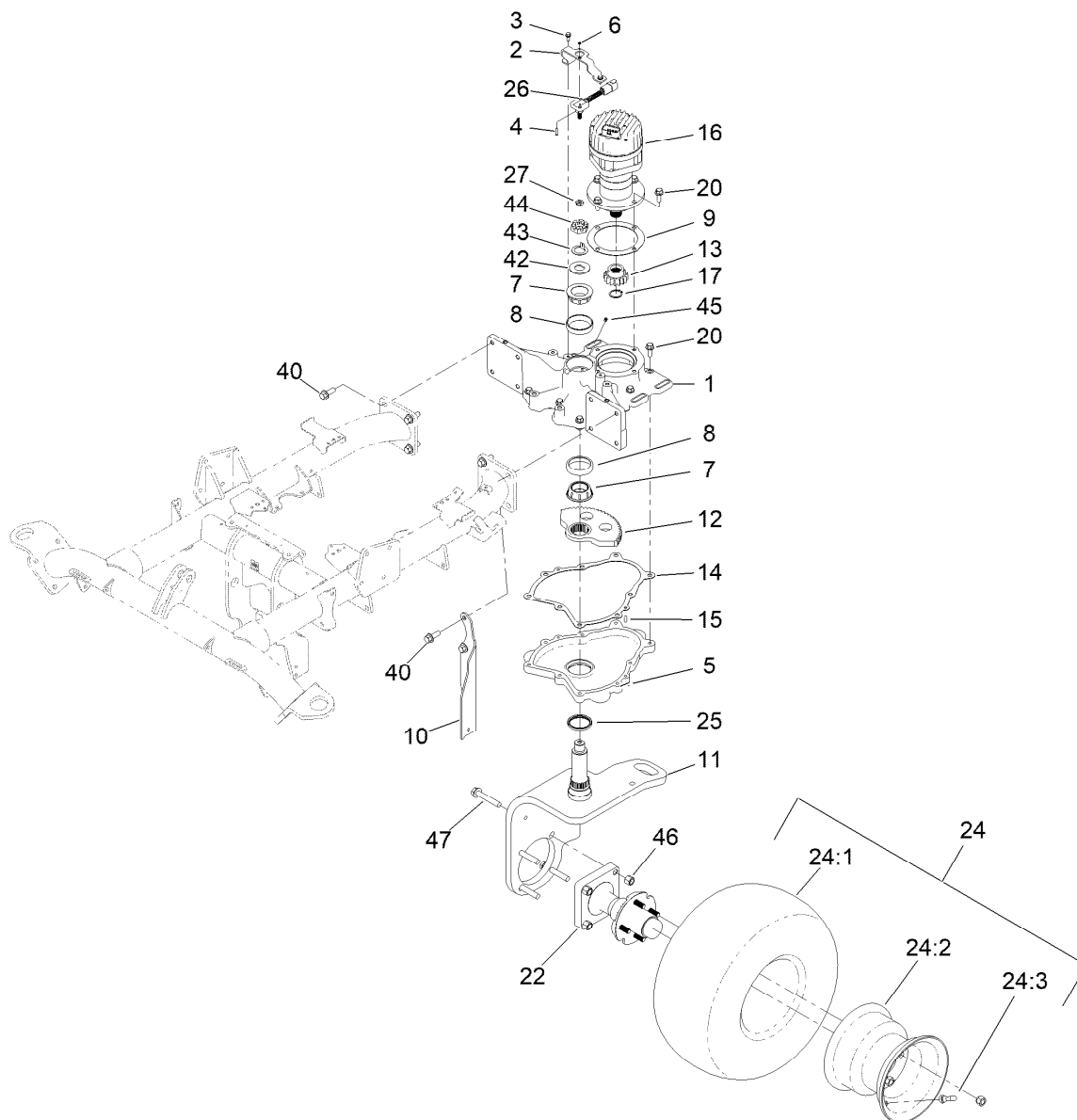
Brake Rod Assembly No. 137-2185

Ref.	Part Number	Qty.	Description
1	137-2180	1	Brake Clevis ASM
2	120-9646	2	Washer-Flat
3	282-2	1	Yoke
4	137-8056	1	Rod-Brake
5	137-8085	1	Spring-Seat, Compression
6	3219-2	3	Nut-Hex
7	283-1	2	Pin-Clevis
8	116-6639	2	Pin-Cotter, Locking



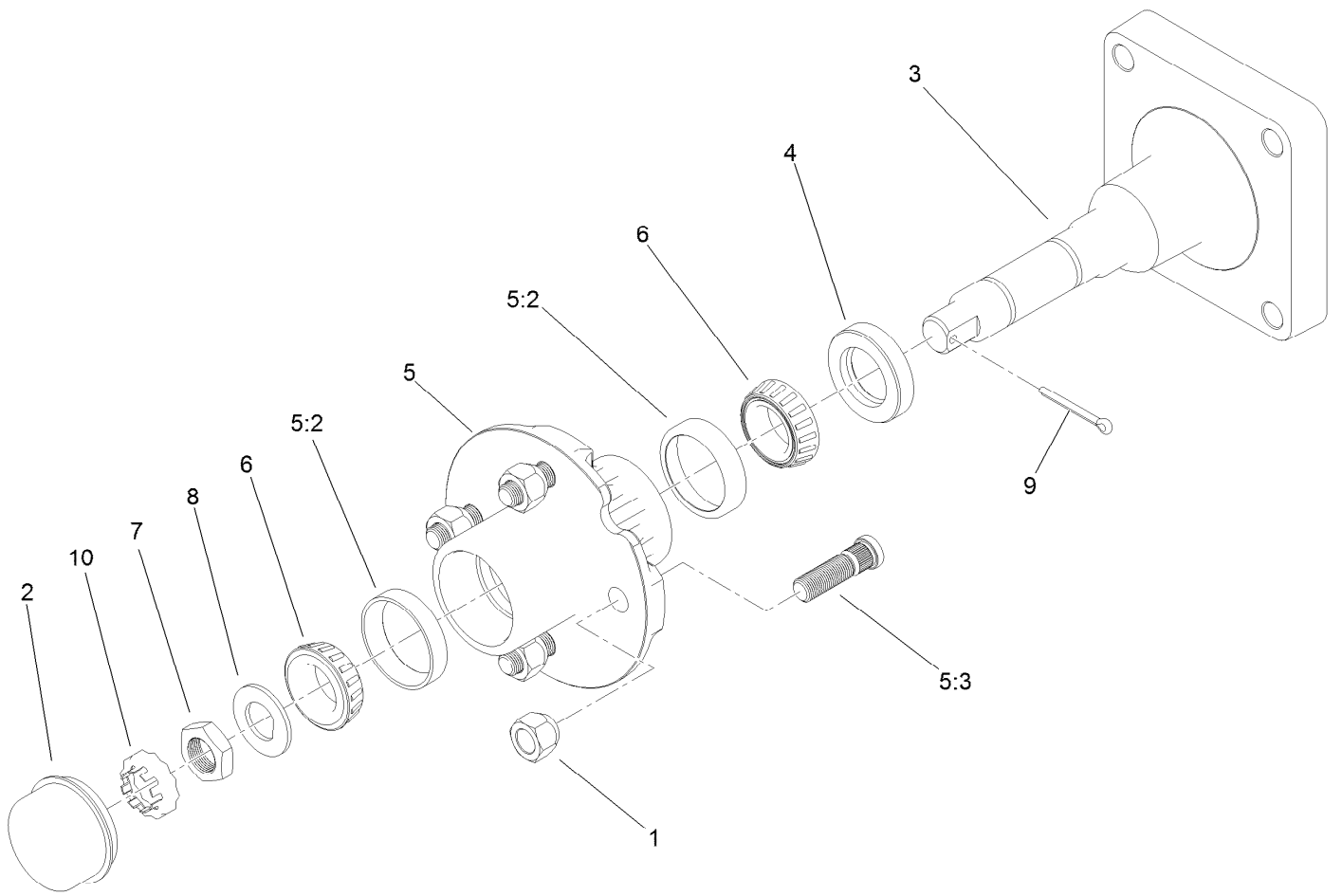
Steering Assembly

Ref.	Part Number	Qty.	Description	Ref.	Part Number	Qty.	Description
1	145-0051	1	Steering Wheel	12	136-4262	1	Shaft-Adapter, Steering
2	139-8582-01	1	Steering Arm ASM [red]	13	3274-39	6	Screw-HSBH
3	133-9030	1	Pivot Lever ASM	14	3234-42	2	Screw-HHF
3:2	133-8995	1	Bushing	15	119-9300	1	Cover-Valve, Steering
4	133-9036	1	Cylinder-Gas	16	32120-19	1	E-Ring
4:1	112-8617	1	Nut-Hex	18	126-3824	2	Screw-Set, SQH
5	138-6456	1	Lever (Mach)	19	117-9002	1	Spacer
6	68-5140	1	Cap-Wheel, Steering	20	99-5107	1	Nut-Lock
6:1	32144-21	1	Screw	21	3296-29	4	Nut-Lock, NI
7	933156	1	Pin-Roll	22	119-4036	4	Screw-HHF
8	114-7723	1	Screw-CARR	23	3256-23	1	Washer-Plain
9	132-9935	1	Steering Unit	24	322-5	1	Screw-HH
10	137-8092	1	Steering Mount ASM	25	3256-27	1	Washer-Flat
10:2	139-8320	1	Decal-Danger	26	3296-33	1	Nut-Lock, NI
10:3	139-8321	1	Decal-Danger, CE	27	701197	1	E-Ring
11	3290-277	6	Nut-Speed	30	119-9346	1	Decal-Arm, Steering



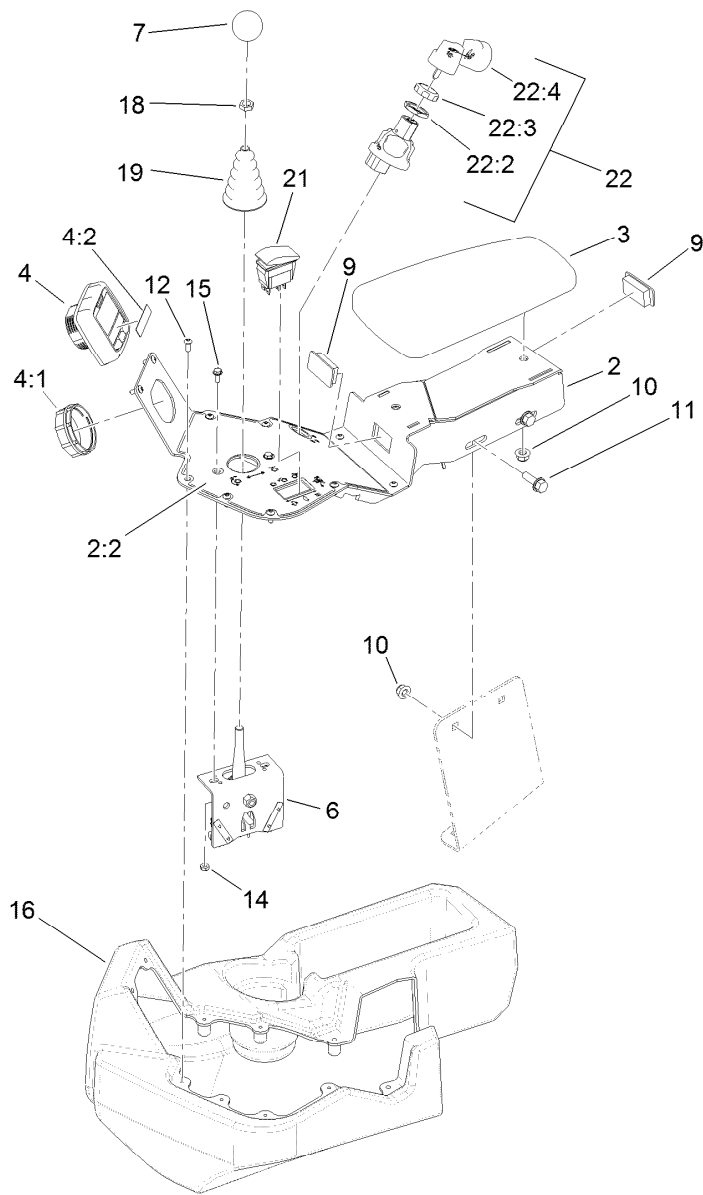
Steering Housing Assembly

Ref.	Part Number	Qty.	Description	Ref.	Part Number	Qty.	Description
1	139-8314	1	Housing-Steering	22	119-4490	1	Wheel Spindle ASM
2	137-7868-03	1	Bracket-Sensor, Steering	24	117-9033	1	Wheel And Tire ASM
3	32144-10	2	Screw-HWH	24:1	120-2783	1	Tire
4	3290-313	2	Screw-SPH	24:2	217-60	1	Rim
5	137-8166-03	1	Housing	24:3	232-27	1	Stem-Valve
6	3296-52	2	Nut-Lock, NI	25	108-7019	1	Seal-Shaft
7	107-7589	2	Cone-Bearing (W/ Seal)	26	122-0914	1	Sensor-Rotary, Body/Magnet Matched Set
8	107-7590	2	Cup-Bearing	27	112-8617	1	Nut-Hex
9	133-0347	1	Gasket	40	117-9035	8	Screw-HHF
10	145-1396	1	Bracket-Jack	42	137-8171	1	Washer
11	139-8313	1	Fork-Caster	43	137-7943	1	Washer-Tang
12	137-8170	1	Gear-Spur, 64T	44	137-7942	1	Nut-Castle
13	133-0346	1	Pinion-16T	45	302-59	1	Plug-EXT Hex Spl
14	133-0348	1	Gasket	46	3296-23	4	Nut-Lock, NI
15	136-2667	2	Pin-Dowel	47	3234-40	4	Screw-HF
16	133-0349	1	Steering Unit ASM				
17	32120-2	1	Ring-Retaining				
20	3234-42	13	Screw-HHF				



Wheel Spindle Assembly No. 119-4490

<i>Ref.</i>	<i>Part Number</i>	<i>Qty.</i>	<i>Description</i>
1	242-50	4	Nut-Lug
2	241-119	1	Cap-Dust
3	112-7173	1	Spindle
4	112-1690	1	Seal-Oil
5	117-9093	1	Hub ASM
5:2	254-72	2	Bearing-Cup, Tapered
5:3	114-3918	4	Stud-Wheel
6	254-92	2	Cone-Bearing, Outer
7	117-8260	1	Nut
8	117-8259	1	Washer-Spindle
9	3272-18	1	Pin-Cotter
10	93-0307	1	Nut-Lock, Retainer



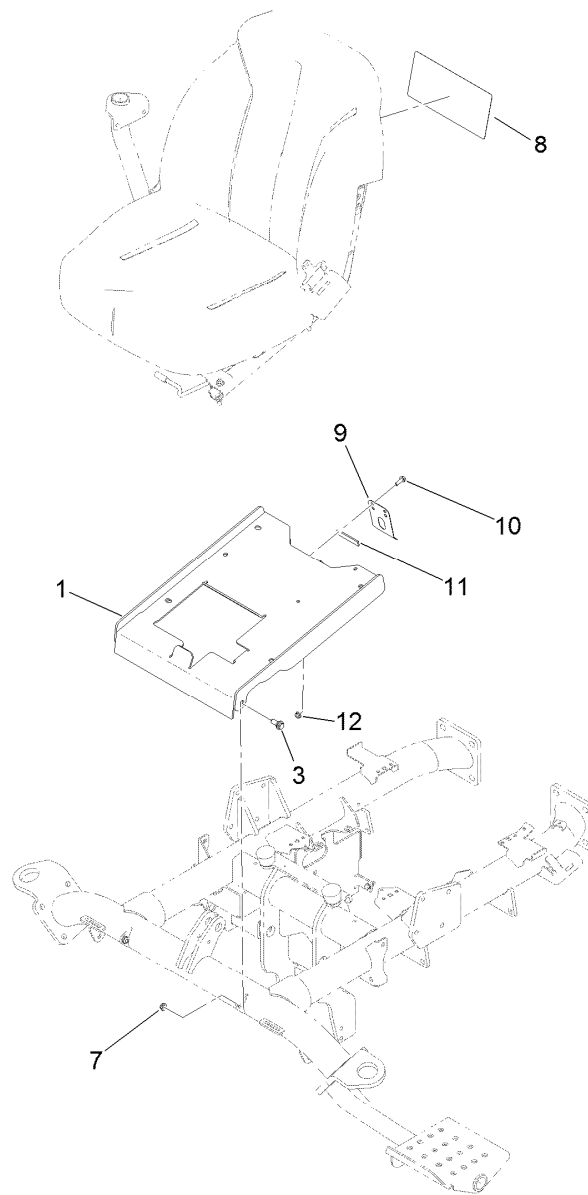
Console Assembly

<i>Ref.</i>	<i>Part Number</i>	<i>Qty.</i>	<i>Description</i>	<i>Ref.</i>	<i>Part Number</i>	<i>Qty.</i>	<i>Description</i>
2	137-8094	1	Console ASM	12	115-9830	10	Screw-HSBH
2:2	137-8058	1	Decal-Console	14	3296-12	2	Nut-Lock, NI
3	108-7602	1	Rest-Arm	15	3290-321	2	Screw-HWH
4	120-6310	1	LCD Display ASM	16	132-9955	1	Cover-Console
4:1	120-4630	1	Nut-Display	18	3218-3	1	Nut-Jam
4:2	120-6311	1	Decal-Display	19	93-5961	1	Boot-Lever
6	120-5280	1	Bracket-Joystick	21	112-3530	1	Switch-Rocker, On-On-On
7	120-9752	1	Knob-Round, Yellow	22	106-5269	1	Ignition Switch ASM
9	99-7420	2	Plug-Hole	22:2	108-8660	1	Nut-Mounting
10	104-8300	4	Nut-HF, NI	22:3	106-5270	1	Ignition Key Set
11	3234-29	2	Screw-HHF	22:4	108-8659	1	Washer-Backup



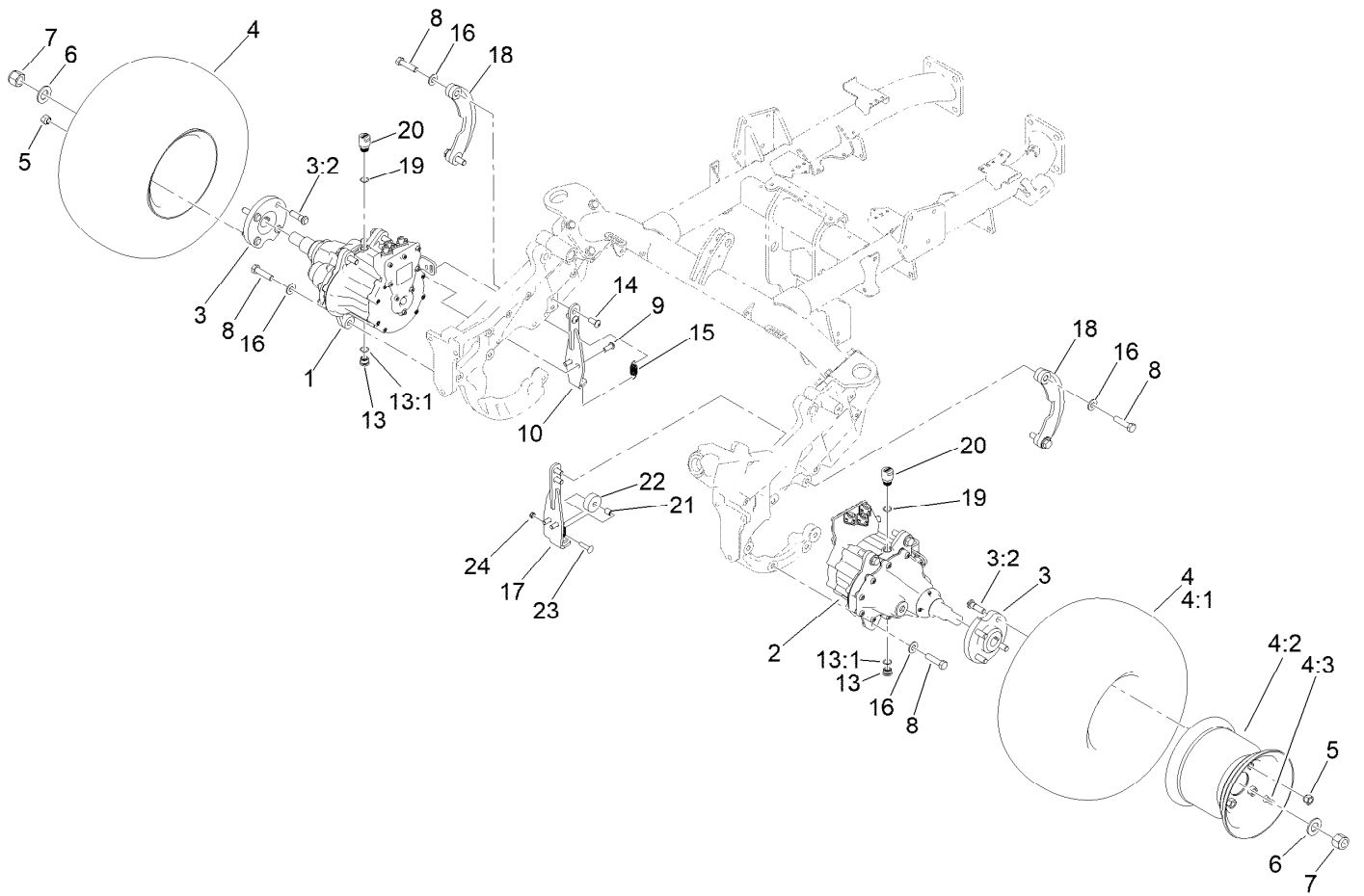
Joystick Bracket Assembly No. 120-5280

<i>Ref.</i>	<i>Part Number</i>	<i>Qty.</i>	<i>Description</i>
1	115-5357-03	1	Bracket-Joystick
2	106-4192	1	Spacer
3	93-5547	2	Bushing-Nylon
4	119-3540	1	Hub-Pivot, Joystick
5	105-8289	1	Spring-Torsion
6	106-4193	2	Washer-Finger, Spring
7	322-9	1	Screw-HH
8	3296-29	1	Nut-Lock, NI
9	3290-354	2	Nut-Speed
10	108-6496	2	Switch (W/Boot)
11	95-3003	4	Screw-PPHTF
12	3256-3	1	Washer-Flat



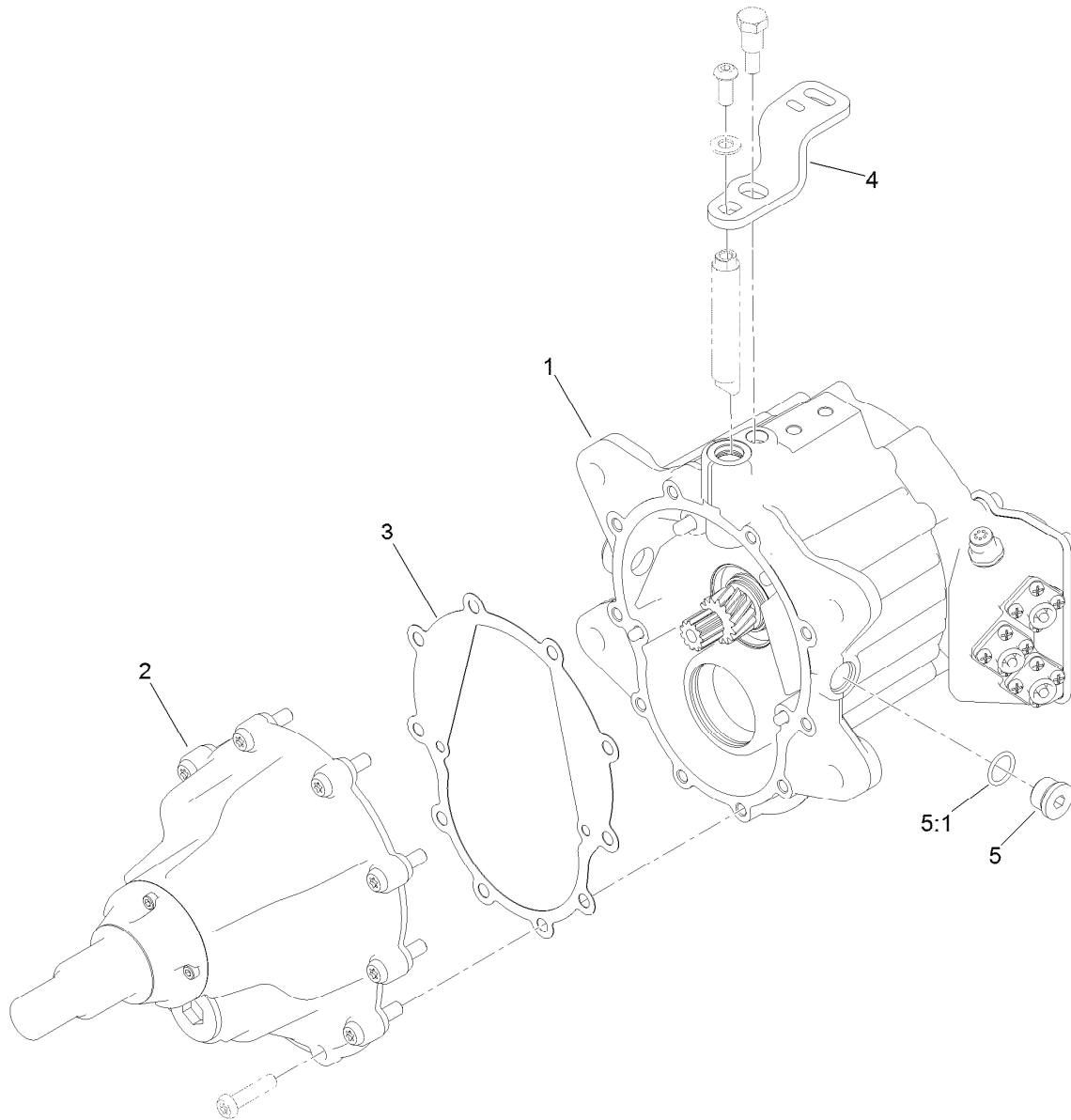
Seat Plate Assembly

<i>Ref.</i>	<i>Part Number</i>	<i>Qty.</i>	<i>Description</i>
1	139-8552-03	1	Seat Plate ASM [black]
3	94-7582	2	Bolt-Shoulder
7	3296-59	2	Nut-Lock, NI
8	137-8052	1	Decal-Service
9	139-8557	1	Latch-Seat
10	115-5103	2	Screw-HHF
11	120-5753	1	Strip-Foam
12	104-7201	2	Nut-HF, NI



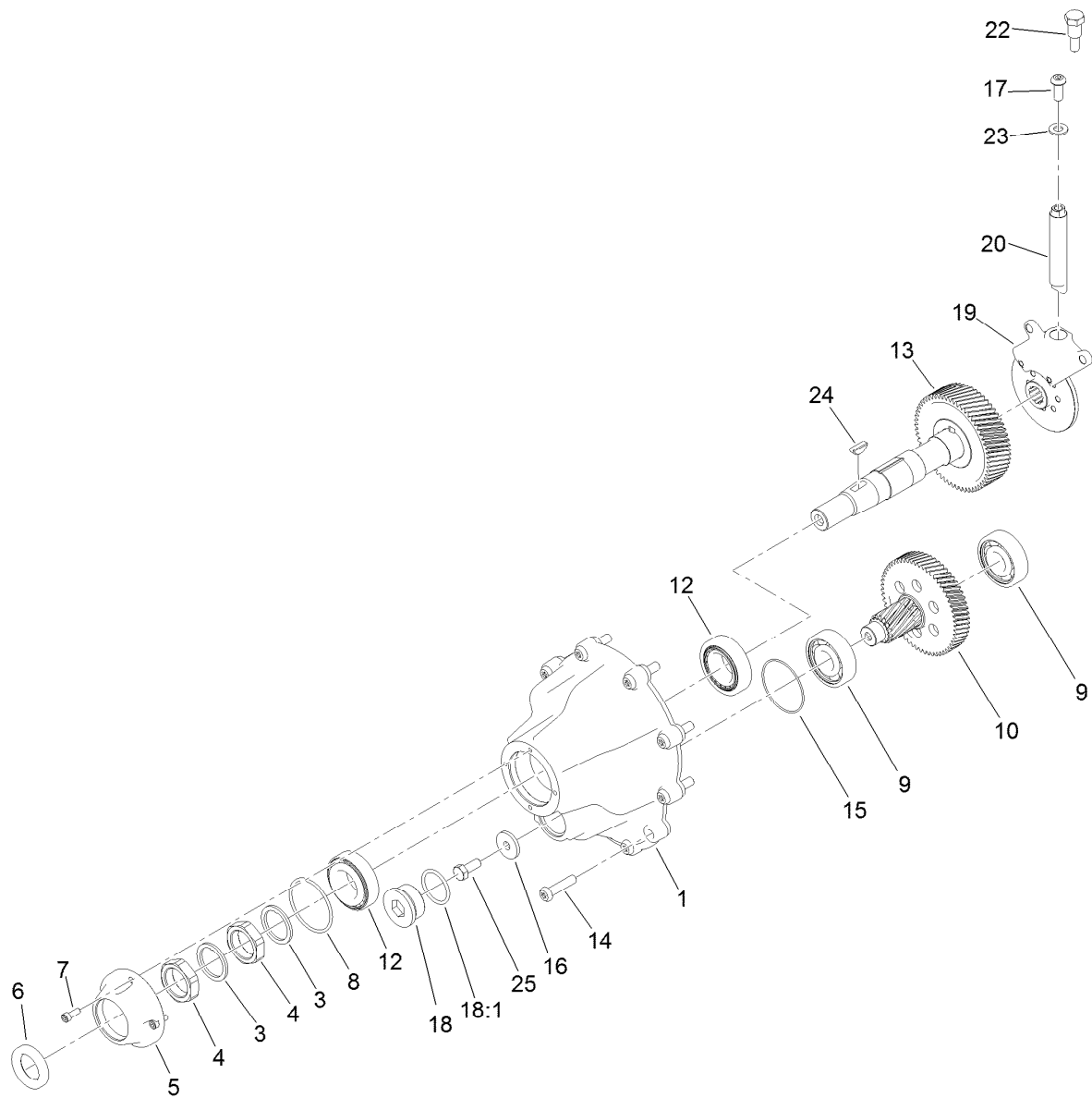
Traction Assembly

<i>Ref.</i>	<i>Part Number</i>	<i>Qty.</i>	<i>Description</i>	<i>Ref.</i>	<i>Part Number</i>	<i>Qty.</i>	<i>Description</i>
1	139-8565	1	RH Wheel Motor ASM	13	133-7659	2	Plug ASM
2	139-8567	1	LH Wheel Motor ASM	13:1	237-79	1	O-Ring
3	140-6228	2	Hub ASM-Wheel	14	3274-105	4	Screw-HSBH
3:2	10-6830	4	Stud-Type, Drive	15	136-7153	2	Spring-Extension
4	117-9030	2	Wheel And Tire ASM	16	87-7270	12	Washer-Thrust
4:1	120-2783	1	Tire	17	139-8348-01	1	Gusset-LH
4:2	117-9032	1	Rim	18	132-9996-01	2	Link-Support
4:3	232-27	1	Stem-Valve	19	237-79	2	O-Ring
5	242-50	8	Nut-Lug	20	139-8576	2	Valve-Breather
6	AU496-11094	2	Washer-Flat	21	88-7450	1	Spacer-Lever, Control
7	137-7973	2	Nut-Hex	22	139-8346	1	Roller
8	325-8	12	Screw-HH	23	112-6950	1	Screw-CARR
9	3274-94	4	Screw-HSBH	24	3296-47	1	Nut-Lock,NI
10	137-7727-01	1	Gusset-Motor, RH				



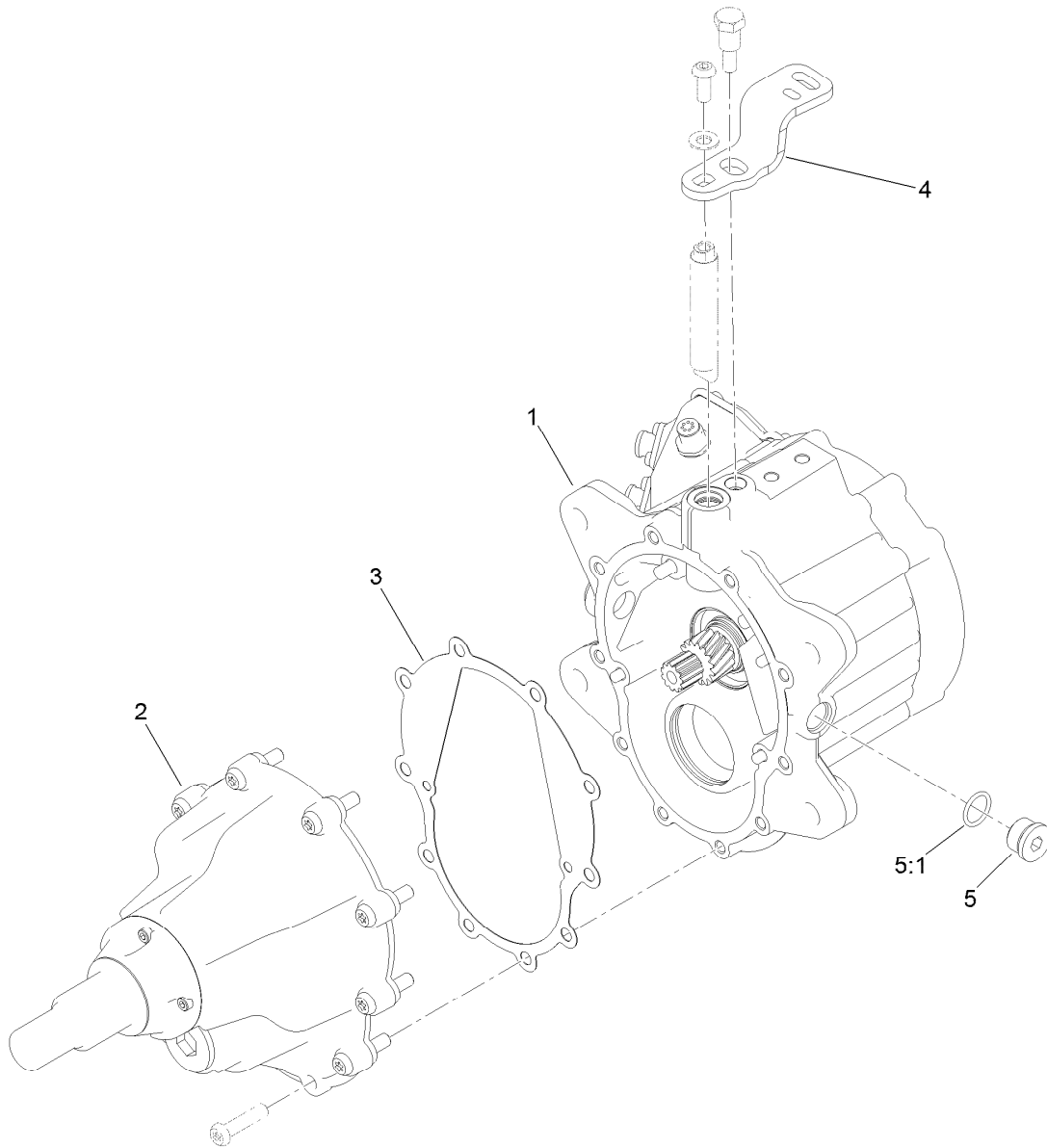
RH Wheel Motor Assembly No. 139-8565

<i>Ref.</i>	<i>Part Number</i>	<i>Qty.</i>	<i>Description</i>
1	139-8566	1	RH Motor ASM
2	127-1529	1	Gear Box ASM
3	121-9254	1	Gasket-Gearbox
4	132-9873	1	Lever-Brake, RH
5	353-988	2	Plug-Hex
5:1	237-79	1	O-Ring



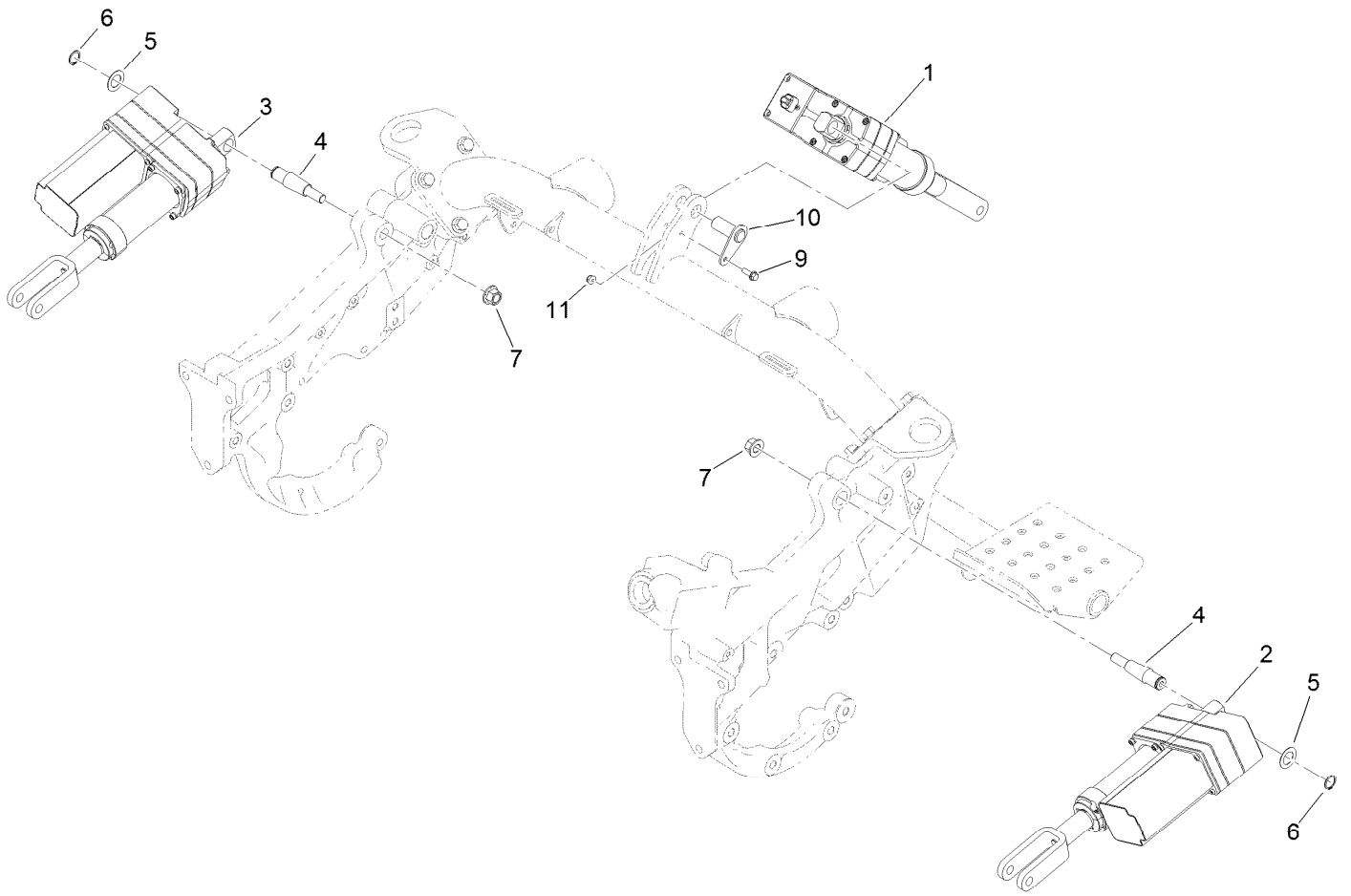
Gearbox Assembly No. 127-1529

<i>Ref.</i>	<i>Part Number</i>	<i>Qty.</i>	<i>Description</i>	<i>Ref.</i>	<i>Part Number</i>	<i>Qty.</i>	<i>Description</i>
1	127-1559	1	Cover-Motor, Axle	15	121-9273	1	O-Ring
3	121-5235	2	Washer-Special	16	132-9927	1	Washer-Flat
4	121-9263	2	Nut-Jam	17	3274-96	1	Screw-HSBH
5	127-1561	1	Cover-Nose, Axle	18	105-3921	1	Fitting-Plug
6	137-7857	1	Seal-Shaft	18:1	237-146	1	O-Ring
7	112-5181	4	Screw -HSH	19	132-9974	1	Brake ASM
8	108-9919	1	O-Ring	20	121-9247	1	Shaft-Brake
9	121-9266	2	Bearing-Ball	22	121-9250	1	Pin-Lever, Stop
10	132-9978	1	Countershaft Gear ASM	23	120-9683	1	Washer-Plain
12	121-9256	2	Bearing-Taper	24	132-9904	1	Key-Woodruff #91
13	132-9841	1	Shaft ASM	25	137-7767	1	Screw-HH
14	127-1519	10	Screw-BHCS				



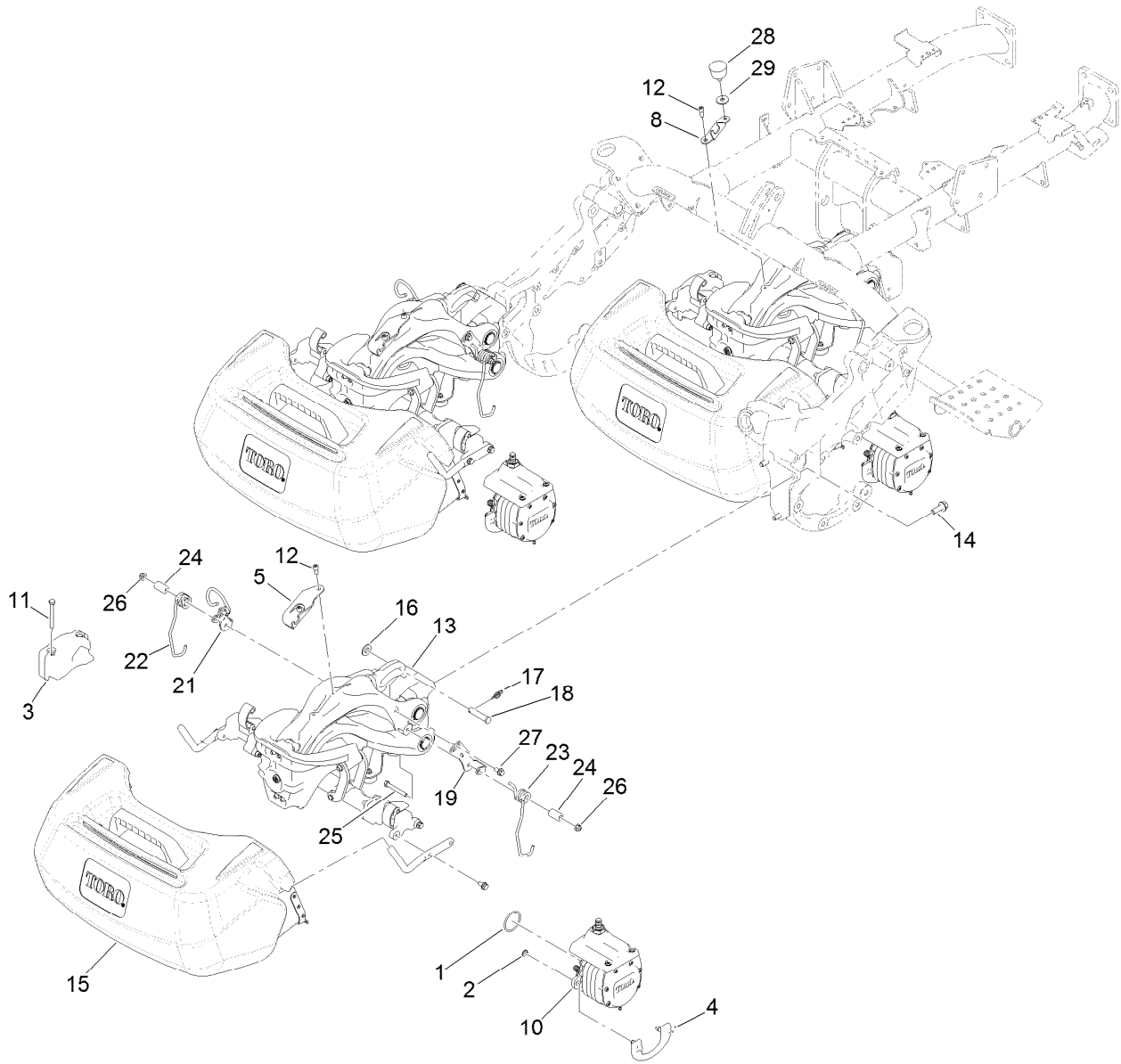
LH Wheel Motor Assembly No. 139-8567

<i>Ref.</i>	<i>Part Number</i>	<i>Qty.</i>	<i>Description</i>
1	139-8568	1	LH Motor ASM
2	127-1529	1	Gear Box ASM
3	121-9254	1	Gasket-Gearbox
4	132-9874	1	Lever-Brake, LH
5	353-988	2	Plug-Hex
5:1	237-79	1	O-Ring



Lift Assembly

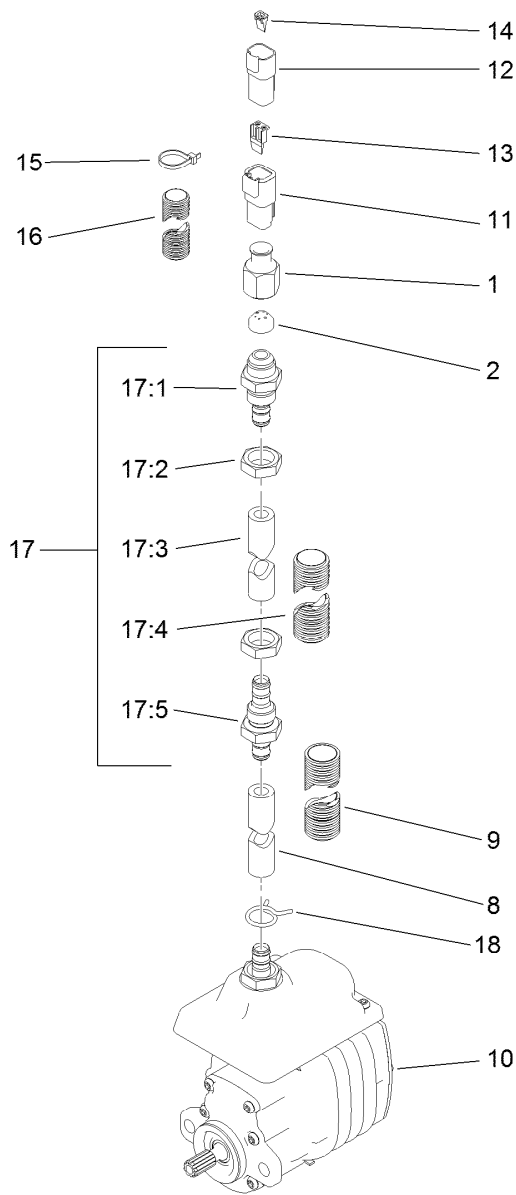
<i>Ref.</i>	<i>Part Number</i>	<i>Qty.</i>	<i>Description</i>
1	137-7933	1	Actuator-1 Crown
2	137-7934	1	Actuator-2 Crown
3	137-7935	1	Actuator-3 Crown
4	136-2691	2	Pin-Tapered
5	9202574	2	Washer-Flat
6	32120-72	2	Ring-Snap
7	99-5107	2	Nut-Lock
9	115-5103	1	Screw-HHF
10	137-7766	1	Pin ASM
11	104-7201	1	Nut-HF, NI



Suspension, Reel Motor and Basket Assembly

Ref.	Part Number	Qty.	Description	Ref.	Part Number	Qty.	Description
1	115-3298	3	O-Ring	17	112-1491	3	Pin-Cotter
2	133-8926	6	Ring-Retaining (Metric)	18	92-2739	3	Pin-Clevis
3	117-6774-03	3	Weight-Electric	19	133-8998	3	Retainer-Spring, LH
4	115-5389	3	Cam-Mount, Motor	21	133-9025	3	Bracket ASM
5	119-7487	2	Bracket-Clamp, Hose	22	117-6826	3	Spring-Stabilizer, RH
8	119-7540	1	Bracket-Hose, Rear	23	117-6827	3	Spring-Stabilizer, LH
10	138-8905	3	Electric Motor ASM	24	117-6825	6	Spacer
11	322-13	6	Screw-HH	25	322-12	6	Screw-HH
12	100-2401	5	Screw-HSH	26	104-8300	6	Nut-HF, NI
13		3	Suspension ASM ●	27	114-7728	6	Screw-HF
14	117-9035	9	Screw-HHF	28	68-3270	1	Bumper-Rubber
15	132-9599	3	Basket ASM	29	52-2861	1	Washer
16	29-8910	3	Washer				

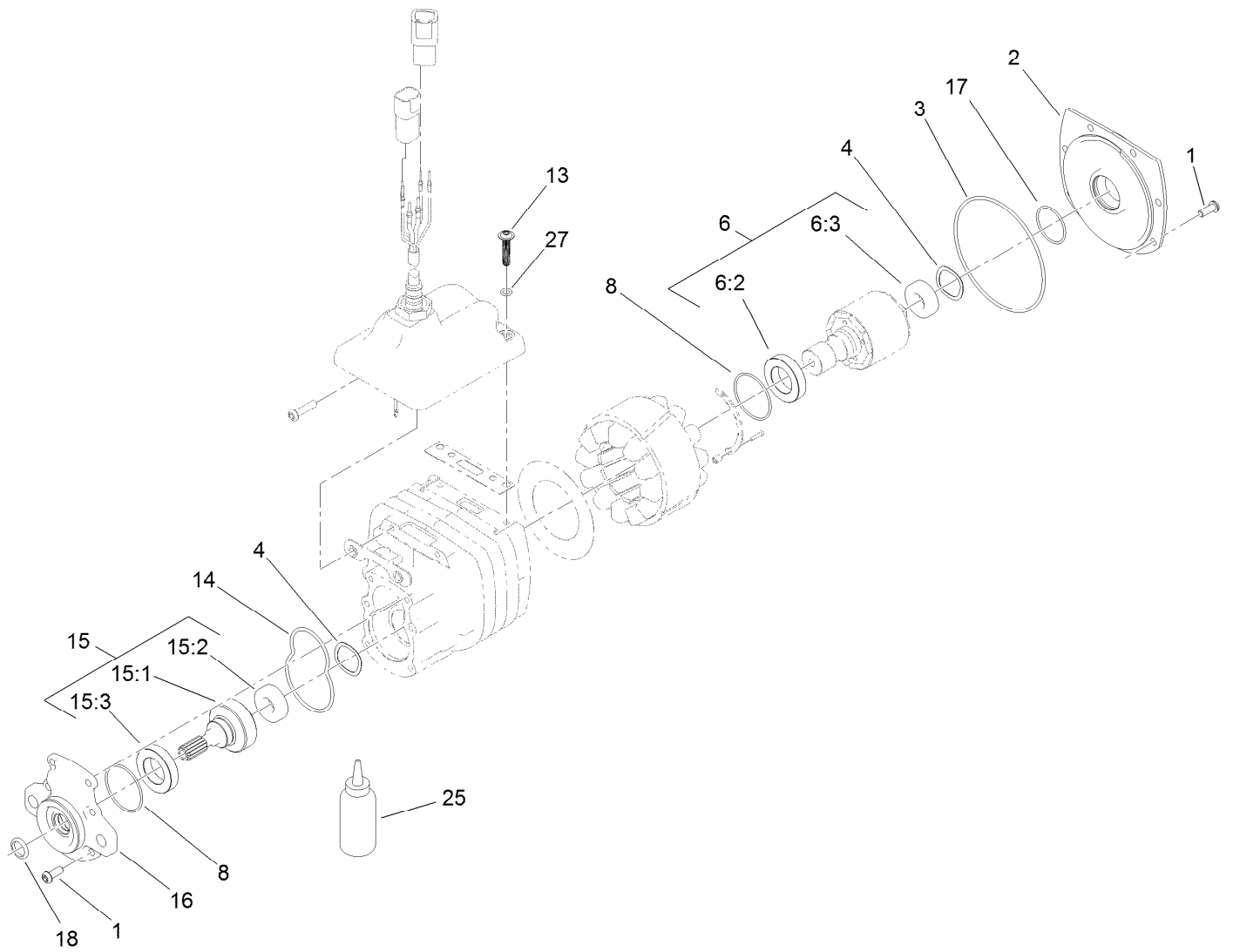
● Not serviced separately



Electric Reel Motor Assembly No. 138-8905

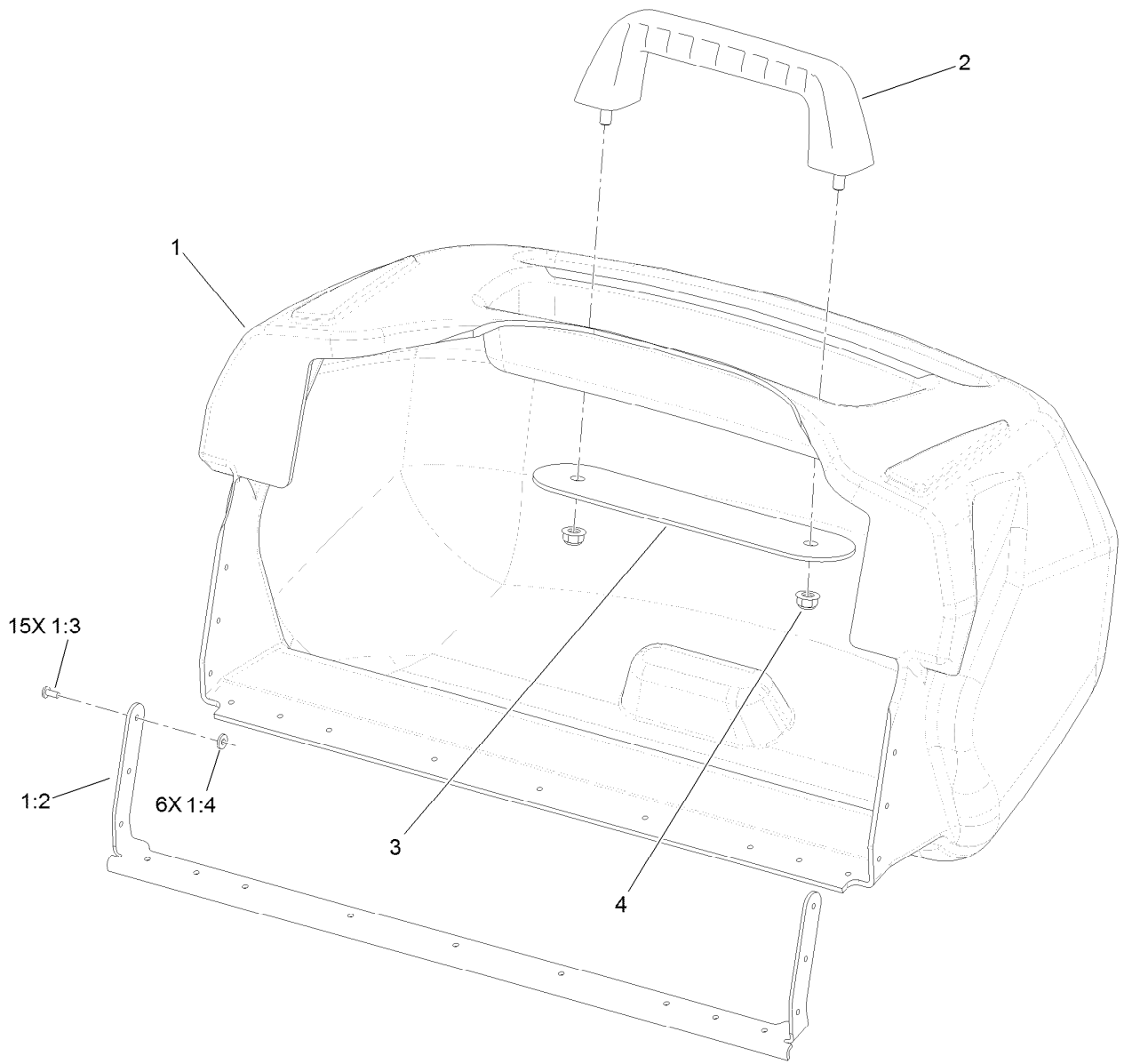
<i>Ref.</i>	<i>Part Number</i>	<i>Qty.</i>	<i>Description</i>	<i>Ref.</i>	<i>Part Number</i>	<i>Qty.</i>	<i>Description</i>
1	119-7481	1	Nut-Ferrule	15	3290-378	4	Tie-Cable
2	119-7480	1	Ferrule	16	120-3223	1	Tubing-Convolutd, Slit
8	119-7476	1	Hose	17	120-4532	1	Hose ASM
9	119-7558	1	Tubing-Convolutd, Slit	17:1	119-7545	1	Fitting-Bulkhead
10		1	Motor-Electric ●	17:2	119-7457	2	Nut
11	32160-245	1	Connector	17:3	119-7524	1	Hose
12	32160-315	1	Connector	17:4	119-7559	1	Tubing-Convolutd, Slit
13	32180-083	1	Wedge	17:5	119-7544	1	Fitting-Bulkhead
14	32180-084	1	Wedge	18	138-8924	1	Clamp-Hose

● Not serviced separately



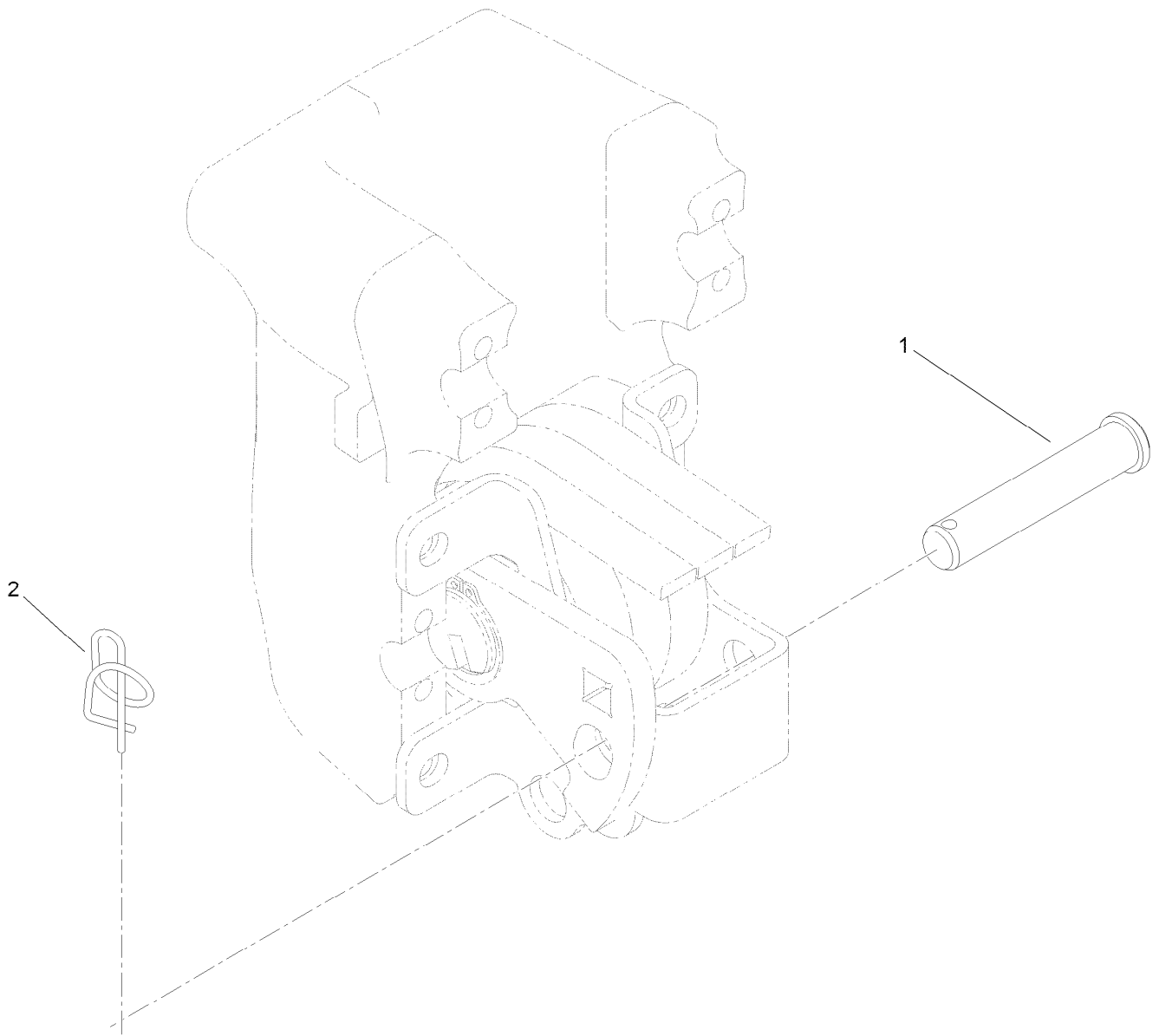
Electric Motor Assembly

Ref.	Part Number	Qty.	Description	Ref.	Part Number	Qty.	Description
1	120-4559	12	Screw-BHCS	15	115-4782	1	Output Gear ASM
2	115-4779	1	Cover-Motor	15:1	112-5153	1	Gear-Output
3	112-9609	1	O-Ring	15:2	120-4557	1	Bearing
4	112-5163	2	Washer-Wave	15:3	112-5158	1	Bearing-Ball
6	119-7450	1	Rotor ASM	16	115-4777	1	Cover-Gearbox
6:2	112-5158	1	Bearing-Ball	17	119-1156	1	O-Ring
6:3	120-4557	1	Bearing	18	119-7451	1	Seal-Oil
8	112-9616	2	O-Ring	25	136-8595	1	Grease-Synthetic
13	138-8918	2	Screw-Fbhcs	27	138-8916	2	O-Ring
14	112-9611	1	O-Ring				



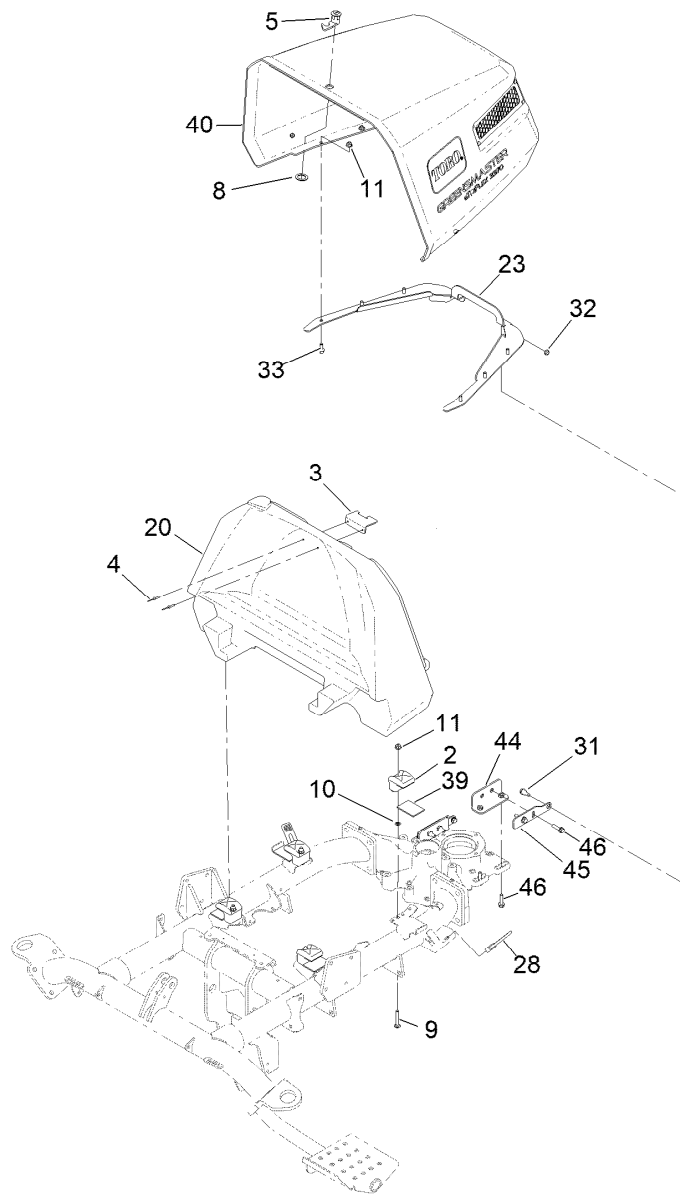
Basket Assembly No. 132-9599

<i>Ref.</i>	<i>Part Number</i>	<i>Qty.</i>	<i>Description</i>
1	132-9510	1	Basket Assembly
1:2	132-3806	1	Support-Basket
1:3	3269-25	15	Rivet-Pop
1:4	3256-75	6	Washer-Flat
2	117-8088	1	Handle-Grab
3	117-8092-03	1	Plate-Mounting
4	104-8300	2	Nut-HF, NI



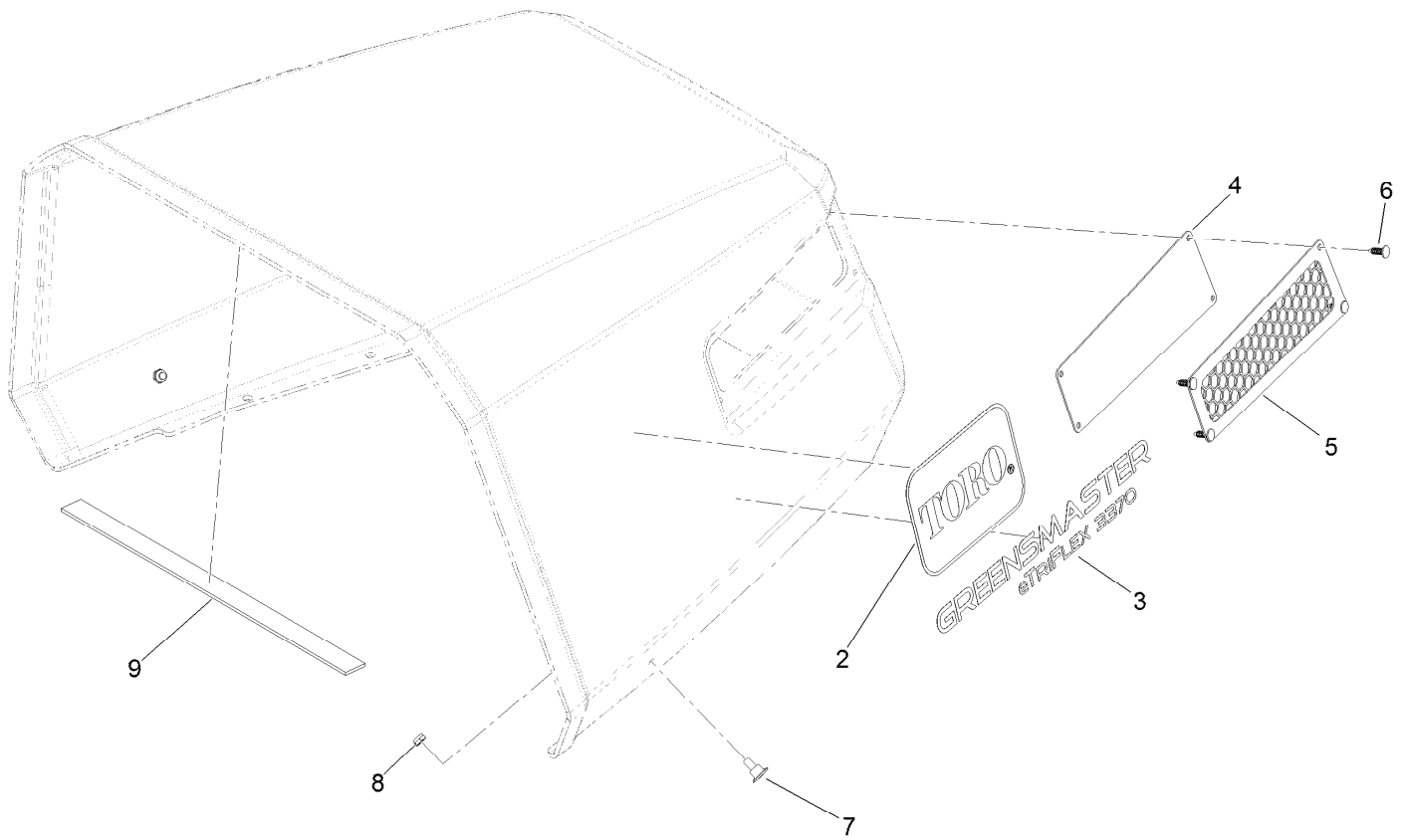
Suspension Pin Position Assembly

<i>Ref.</i>	<i>Part Number</i>	<i>Qty.</i>	<i>Description</i>
1	100-6541	3	Pin-Clevis
2	112-1491	3	Pin-Cotter



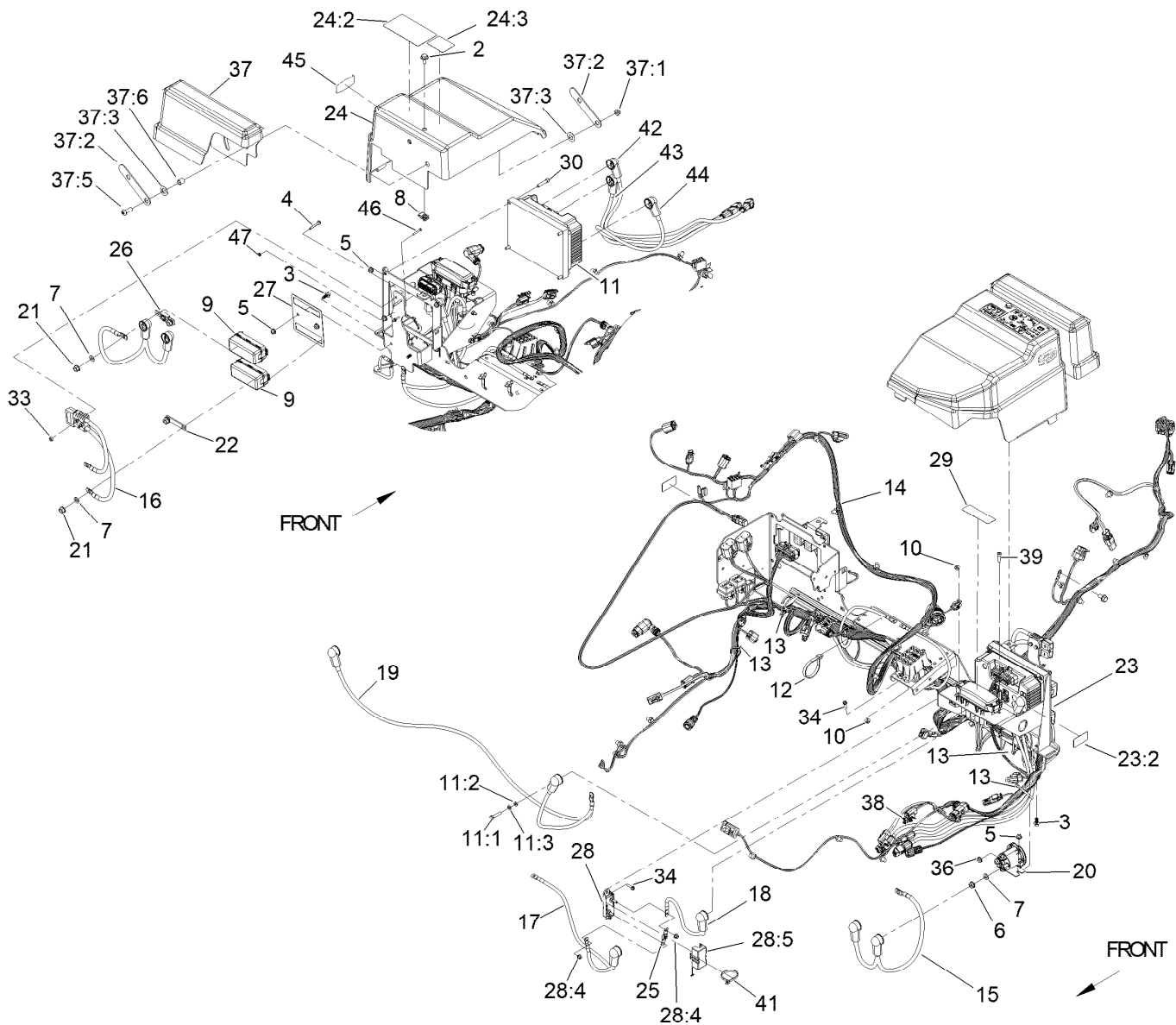
Hood Assembly

<i>Ref.</i>	<i>Part Number</i>	<i>Qty.</i>	<i>Description</i>	<i>Ref.</i>	<i>Part Number</i>	<i>Qty.</i>	<i>Description</i>
2	107-4543	4	Clamp	28	131-8402	2	Strap-Down, Hold
3	145-1438	1	Bracket-Latch	31	115-1958	2	Bolt-Shoulder
4	3290-382	2	Rivet-Pop	32	99-6007	2	Nut-Lock, NI
5	98-5398	1	Latch	33	3234-47	6	Screw-HHF
8	99-4958	1	Spacer	39	136-4259	4	Foam-Strip, Tank
9	3230-6	4	Bolt-CARR	40	145-1442	1	Battery Hood ASM
10	109-5667	4	Nut-Push	44	137-2242-03	2	Bracket-Hood
11	104-8300	10	Nut-HF, NI	45	137-7914	2	Bracket-Hood
20	137-7829	1	Cover-Battery	46	119-4036	8	Screw-HHF
23	137-2193-03	1	Bracket-Hinge, Shroud				



Hood Assembly No. 139-8317

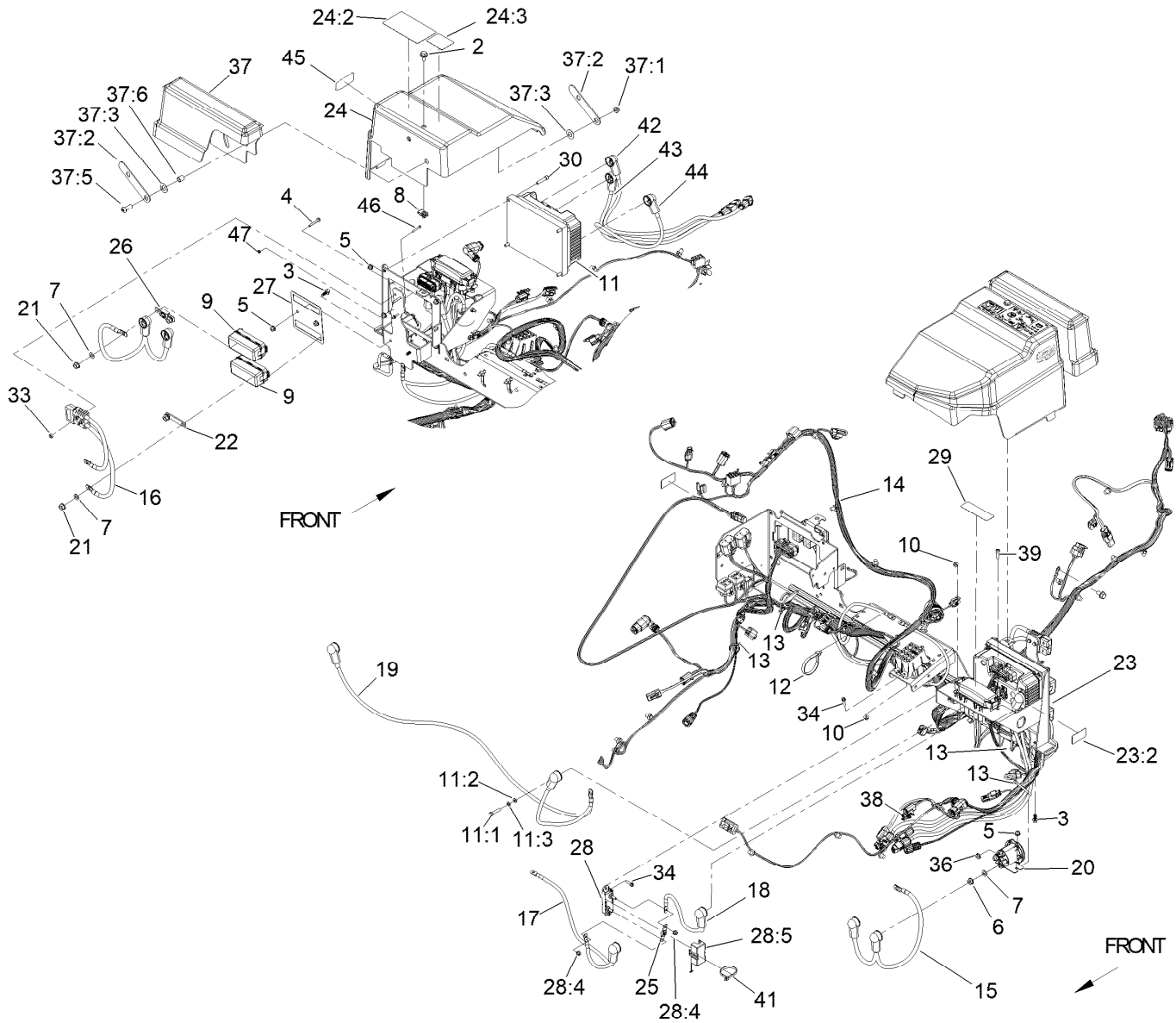
Ref.	Part Number	Qty.	Description
2	62-5550	2	Decal
3	137-7928	2	Decal-Etriflex 3370
4	137-7926-03	2	Screen
5	137-7911-03	2	Screen
6	120-6737	8	Plug-Plastic
7	125-1122	2	Screw
8	3296-56	2	Nut-Lock, NI
9	137-8082	1	Strip-Foam



Electrical Assembly

Ref.	Part Number	Qty.	Description	Ref.	Part Number	Qty.	Description
2	19-1470	1	Screw-Shoulder	17	122-1108	1	Cable-Battery, Positive
3	99-6810	6	Screw-HHF	18	122-1112	1	Cable-Battery, Positive
4	100-4352	2	Screw-HWH	19	122-1115	1	Cable-Battery, Negative
5	104-7201	10	Nut-HF, NI	20	122-1274	2	Contactor-DC, 48V
6	107-0380	4	Nut-HF	21	127-2371	4	Nut-HF
7	107-0394	8	Washer-Flat	22	132-9815	1	Strap-Jumper
8	112-3306	1	Nut	23	137-8196	1	Bracket-Components
9	114-3318	2	Holder-Fuse, Mega	23:2	137-8127	2	Decal-No Spray
10	120-4578	6	Nut-HF	24	145-1437	1	LH Cover ASM
11	120-4780	1	Controller-Motor, Traction	24:2	147-3125	1	Decal-Charging
11:1	33113-030	5	Screw-HH	24:3	147-3126	1	Decal-Service, Shut-Off
11:2	33093-00	5	Washer-Flat	25	137-7707	1	Fuse-60 Amp
11:3	43-5930	5	Washer-Lock, Spring	26	139-8414	1	Fuse-175 Amp
12	3334-945	3	Tie-Cable	27	145-1439	1	Bracket-Fuses
13	3290-379	4	Tie-Cable	28	137-7861	1	Fuse Block ASM
14	122-2788	1	Harness-Wire, Etriflex	28:4	120-4580	2	Nut-HF
15	122-1695	1	Cable-Battery, Positive	28:5	137-7863	1	Cover-Fuse
16	122-1698	1	Cable-Battery, Pos And Neg	29	137-8037	1	Decal-Fuses, Cutting Unit

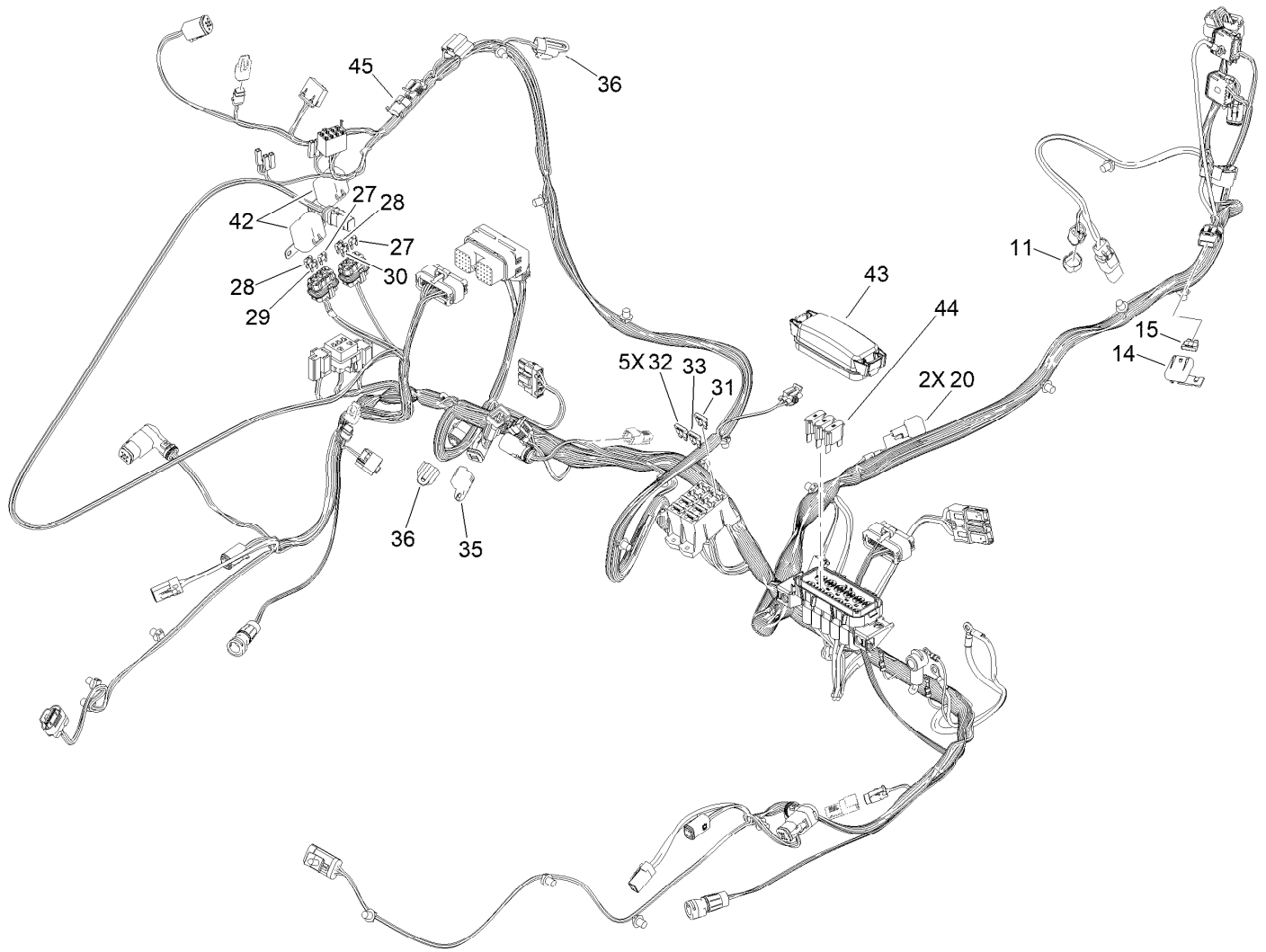
● Not serviced separately



Electrical Assembly (continued)

Ref.	Part Number	Qty.	Description	Ref.	Part Number	Qty.	Description
30	3274-51	4	Screw-HSH	38	32180-103	2	Clip-Connector
33	3296-2	2	Nut-Lock, NI	39	52-6290	2	Screw-HSH
34	32105-13	6	Screw-HWH	41	3290-378	1	Tie-Cable
36	32149-8	4	Nut-Keps	42	122-1611	1	Cable-Battery, Positive
37		1	Charge Port Cover Kit ●	43	122-1612	1	Cable-Battery, Positive
37:1	121-4600	2	Nut-Hex	44	122-1613	1	Cable-Battery, Positive
37:2	145-4563	2	Bar-Pivot	45	119-7580	1	Decal-Smart, Energy
37:3	110-4068	4	Washer-Plastic	46	32105-9	2	Screw-HH
37:5	3274-94	2	Screw-HSBH	47	120-9684	2	Nut-Lock
37:6	103-1166	2	Spacer-Tube, Pump Link				

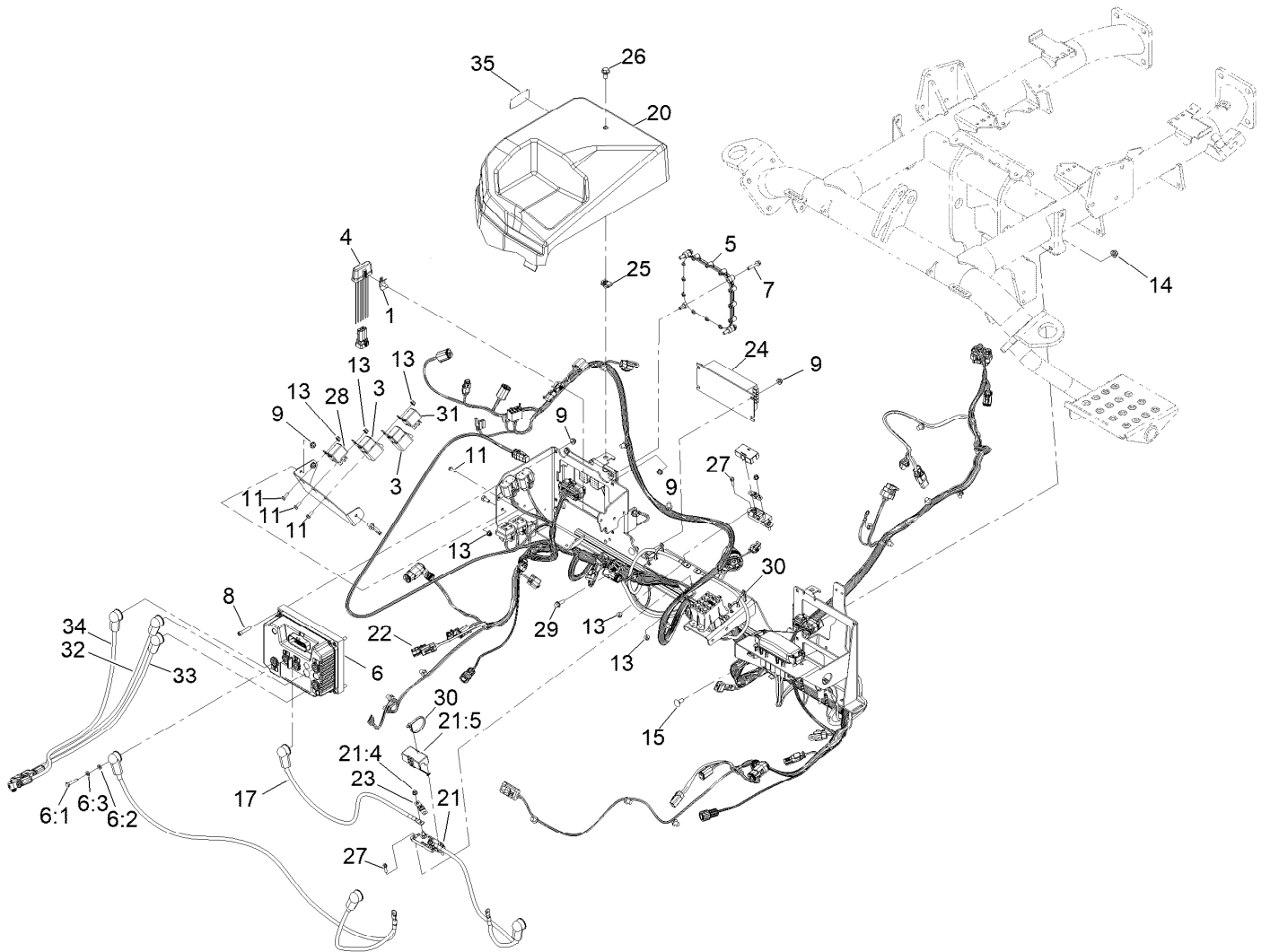
● Not serviced separately



Wire Harness Assembly No. 122-2788

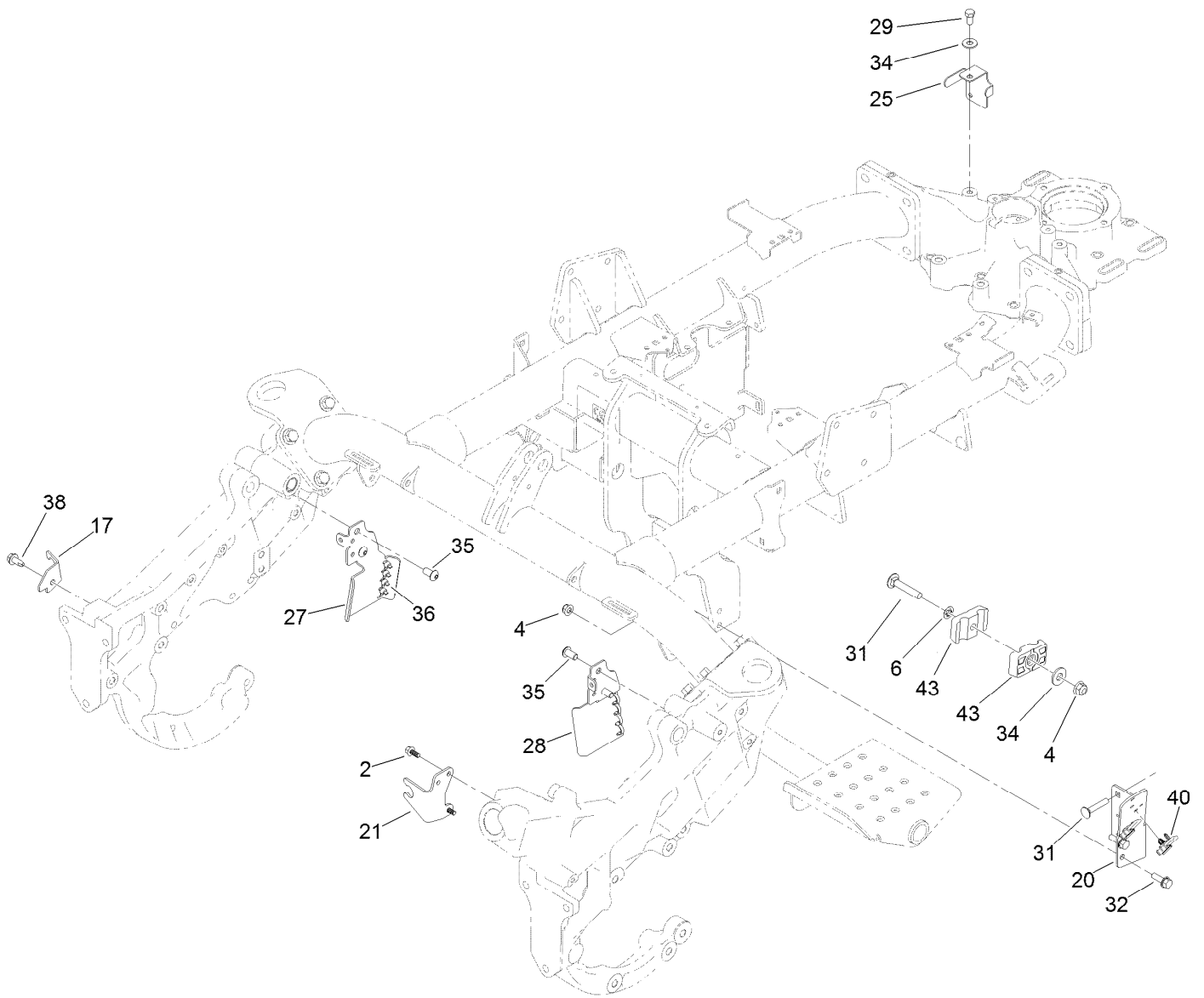
Ref.	Part Number	Qty.	Description	Ref.	Part Number	Qty.	Description
11	32180-260	1	Cap-Deutsch, Dust, 4 Way	31	117-4722	1	Fuse-Blade, 5A
12	32180-091	1	Cap-Dust, 2 Way ●	32	117-4724	5	Fuse-Blade, 10A
14	32180-019	1	Cover-Fuse, Single	33	117-4728	1	Fuse-Blade, 30A
15	117-4720	1	Fuse-Blade, 3A	35	32180-156	1	Cap-Plug, 6 Way
20	100-4918	1	Diode	36	32180-089	2	Cap-Plug, 3 Way
21	32180-282	1	Resistor-120 Ohm ●	42	32180-179	2	Cover-Bussman
27	121-8861	3	Fuse-Mini Blade, 2 Amp	43	32180-146	1	Cover-Fuse
28	121-8865	1	Fuse-Mini Blade, 7.5 Amp	44	122-0255	3	Fuse-Maxi, 35 Amp-58V
29	121-8866	1	Fuse-Mini Blade, 10 Amp	45	32180-056	1	Cap
30	121-8867	1	Fuse-Mini Blade, 15 Amp				

● Not illustrated



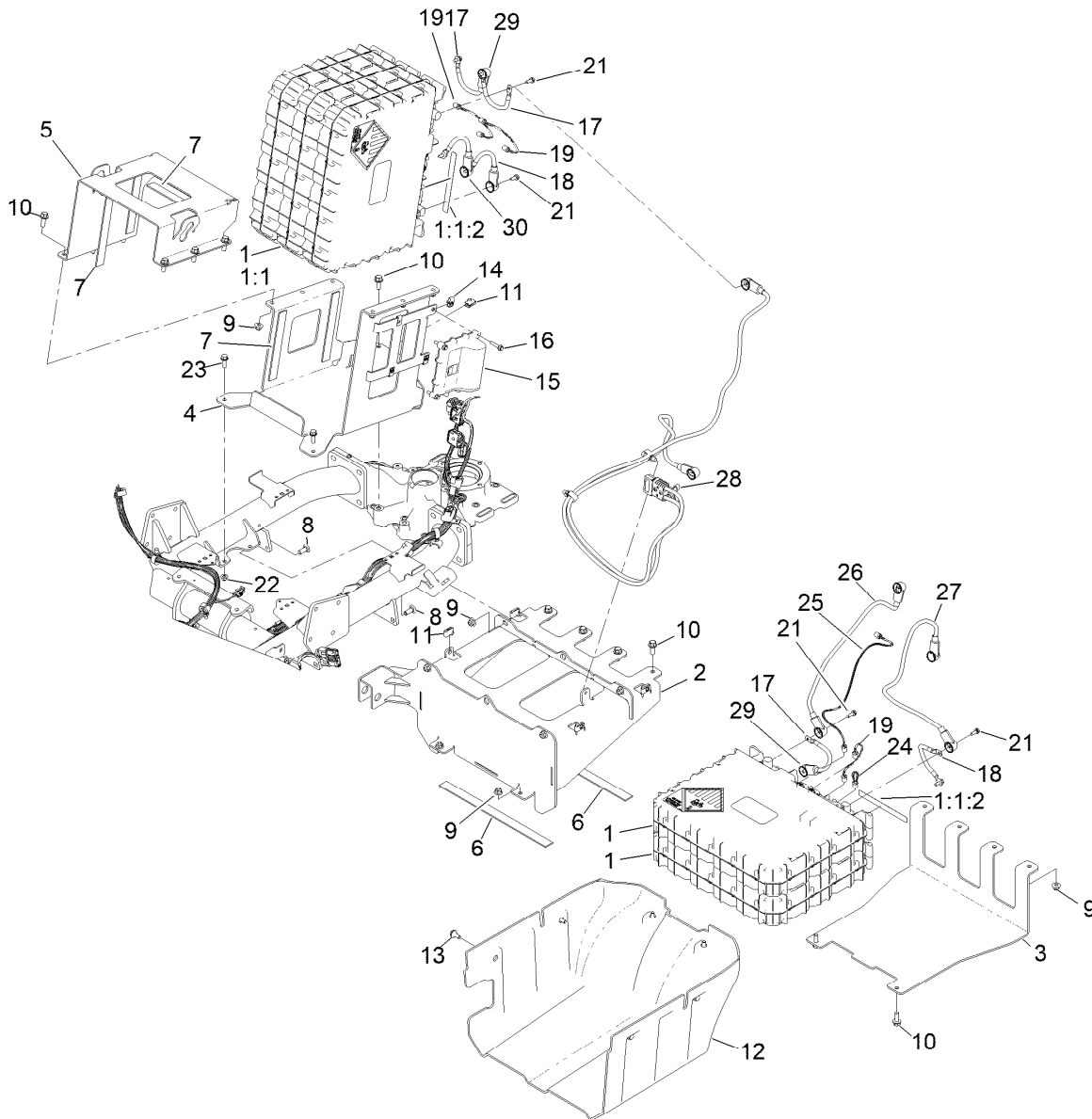
Controller Assembly

<i>Ref.</i>	<i>Part Number</i>	<i>Qty.</i>	<i>Description</i>	<i>Ref.</i>	<i>Part Number</i>	<i>Qty.</i>	<i>Description</i>
1	32180-011	3	Clip-Connector	21	137-7861	1	Fuse Block ASM
3	99-7430	1	Relay-Mini	21:4	120-4580	2	Nut-HF
4	112-9630	1	Module-Reel, I.D.	21:5	137-7863	1	Cover-Fuse
5	127-2770	1	Controller	22	32180-103	2	Clip-Connector
6	120-4780	1	Controller-Motor, Traction	23	137-7707	1	Fuse-60 Amp
6:1	33113-030	5	Screw-HH	24	144-6975	1	Converter DC-DC
6:2	33093-00	5	Washer-Flat	25	112-3306	1	Nut
6:3	43-5930	5	Washer-Lock, Spring	26	19-1470	1	Screw-Shoulder
7	127-8639	4	Screw-HHF	27	32105-13	2	Screw-HWH
8	3274-51	4	Screw-HSH	28	122-2400	1	Relay, 12V Coil, 50A At 48V
9	104-7201	10	Nut-HF, NI	29	3234-4	2	Screw-HHF
11	32105-23	7	Screw	30	3290-378	3	Tie-Cable
13	120-4578	9	Nut-HF	31	122-2401	1	Relay, 48V Coil, 50A At 48V
14	104-8300	4	Nut-HF, NI	32	122-1614	1	Cable-Battery, Positive ASM
15	3230-1	4	Bolt-CARR	33	122-1615	1	Cable-Battery, Positive ASM
17	122-1110	1	Cable-Battery, Positive	34	122-1616	1	Cable-Battery, Positive ASM
20	133-0095	1	Cover-RH	35	119-7580	1	Decal-Smart, Energy



Harness Bracket Assembly

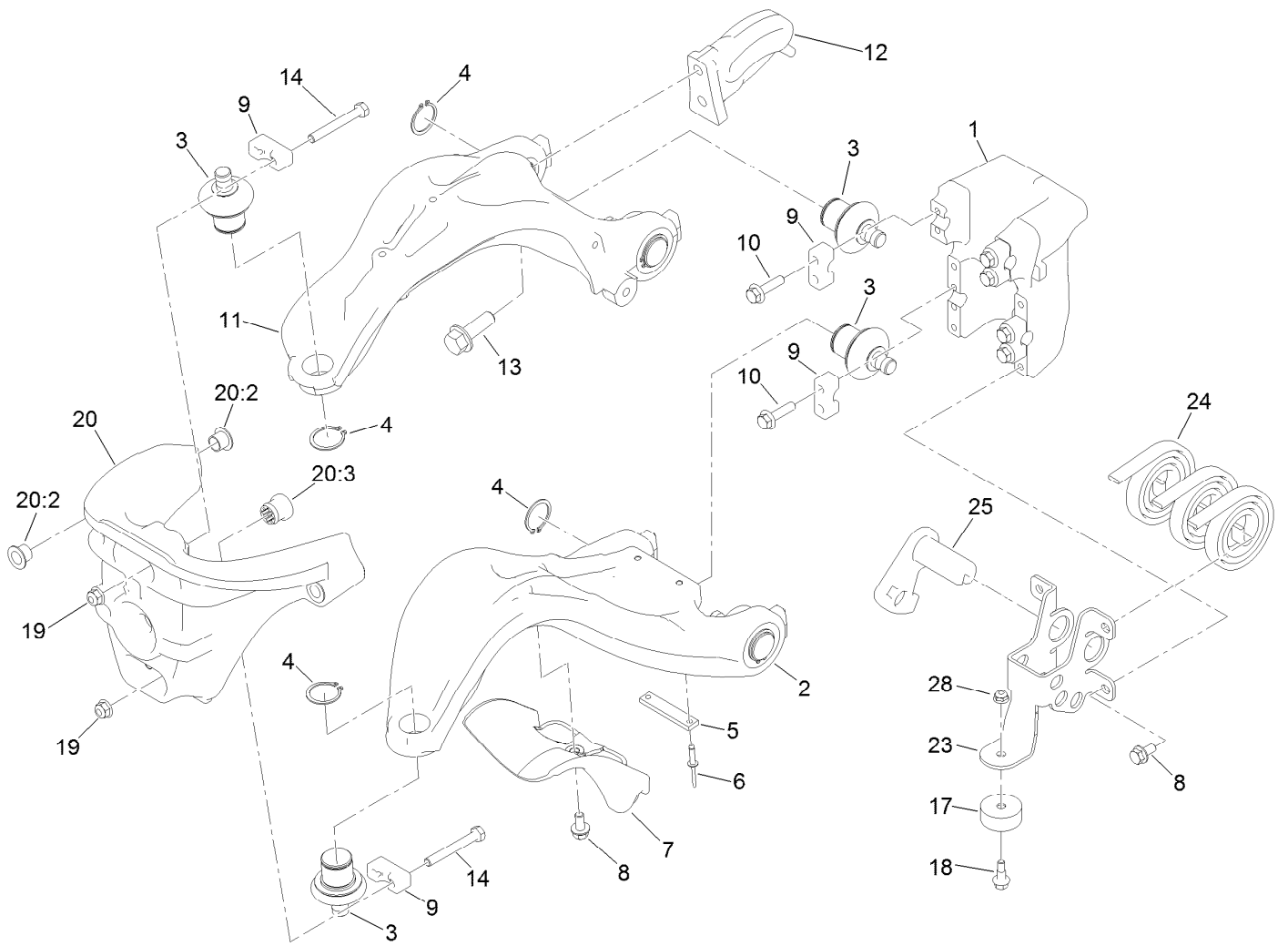
<i>Ref.</i>	<i>Part Number</i>	<i>Qty.</i>	<i>Description</i>	<i>Ref.</i>	<i>Part Number</i>	<i>Qty.</i>	<i>Description</i>
2	99-6810	2	Screw-HHF	29	3210-2	1	Screw-HH
4	104-8300	3	Nut-HF, NI	31	3230-5	1	Bolt-CARR
6	109-5667	1	Nut-Push	32	3234-29	2	Screw-HHF
17	139-8409	1	Brkt-Hose	34	3256-3	2	Washer-Flat
20	137-8146-03	1	Bracket-Hose, Rear	35	3274-80	4	Screw-HH
21	136-2697	1	Bracket-Hose	36	3290-378	8	Tie-Cable
25	137-7859	1	Bracket-Harness	38	32104-32	1	Screw-HWH
27	137-7905-01	1	Bracket-Harness, RH	40	32180-103	2	Clip-Connector
28	137-7906-01	1	Bracket-Harness, LH	43	56-7971	2	Clamp-Tube



Battery Assembly

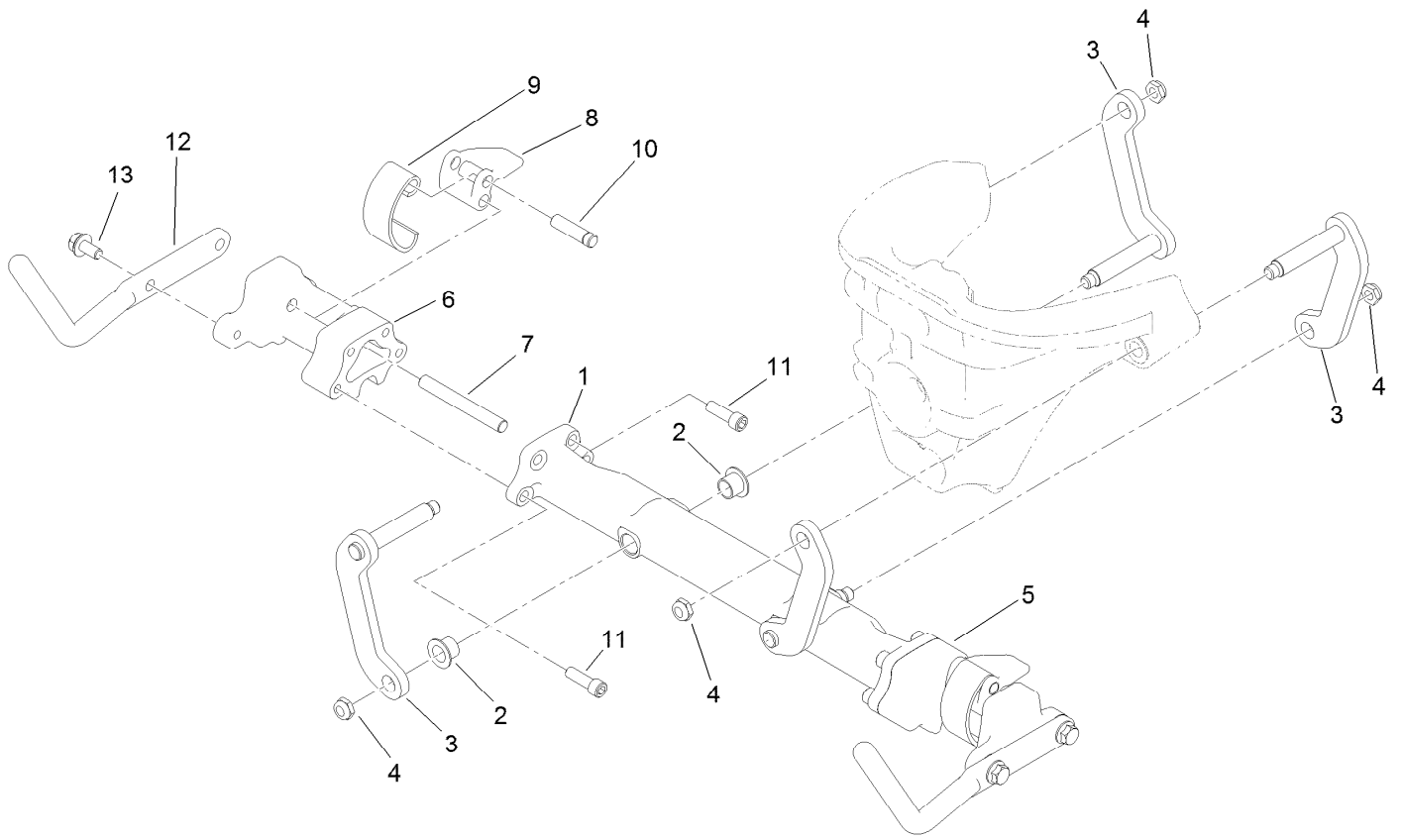
Ref.	Part Number	Qty.	Description	Ref.	Part Number	Qty.	Description
1	145-5320	1	Battery ASM	16	3234-21	4	Screw-HHF
1:1		1	Battery ASM ●	17	140-9550	3	Cable-Battery, Rd ASM
1:1:2	144-0276	1	Decal-Warning, Battery	18	140-9551	3	Cable-Battery, Bk ASM
2	145-1352-03	1	Mount-Battery [black]	19	140-9565	3	Harness-Wire, Data Interface
3	145-1356-03	1	Plate-Base	21	145-5783	10	Screw-Sems
4	145-1392-03	1	Mount-Base [black]	22	104-8300	2	Nut-HF, NI
5	145-1391-03	1	Strap-Top	23	3234-29	2	Screw-HHF
6	137-8082	2	Strip-Foam	24	122-2323	1	Harness-Wire, Can Terminator
7	137-8083	9	Strip-Foam	25	122-2494	1	Harness-Wire, Data (Long)
8	3231-22	4	Screw-CARR	26	122-2564	1	Cable-Battery, Rd ASM
9	104-8301	16	Nut-HF, NI	27	122-2565	1	Cable-Battery, Bk ASM
10	3234-42	14	Screw-HHF	28	122-2585	1	Cable-Battery, Rd/Bk ASM
11	115-7721	6	Nut-Clip, U	29	32180-525	2	Insulator-Terminal, Red
12	145-1362	1	Cover-Battery	30	32180-528	2	Insulator-Terminal, Black
13	19-1470	6	Screw-Shoulder				
14	107069	4	Clip				
15	122-1683	1	Controller-Tec 2402				

● Not serviced separately



Suspension A-Arm Assembly

Ref.	Part Number	Qty.	Description	Ref.	Part Number	Qty.	Description
1	117-9480	1	Mount-Pivot, A-Arms	13	100-6116	2	Screw-HHF
2	117-6656	1	A-Arm, Lower	14	132-3838	4	Screw-HH
3	132-6959	6	Balljoint	17	133-0308	1	Bumper-Rubber
4	120-3225	6	Ring-Retaining, EXT	18	133-0315	1	Screw-Shoulder, HF
5	117-6674	1	Plate-Striker	19	104-8300	4	Nut-HF, NI
6	3269-28	2	Rivet-Pop	20	120-3216	1	Steering Head ASM
7	117-6755	1	Stop-Steering	20:2	125-5239	4	Bushing-Flange
8	114-7728	5	Screw-HF	20:3	131-1836	1	Grommet
9	112-5647	6	Clamp	23	140-5232	1	C-Balance Mount
10	132-3837	8	Screw-HHF	24	114-9306	3	Spring
11	139-6452	1	A-Arm, Upper	25	140-5234	1	Tensioner
12	139-8407	1	Plate-Lift	28	104-7201	1	Nut-HF, NI



Suspension Crossarm Assembly

<i>Ref.</i>	<i>Part Number</i>	<i>Qty.</i>	<i>Description</i>
1	120-3217	1	Crossarm
2	125-5239	4	Bushing-Flange
3	117-6654	4	Link
4	3296-59	4	Nut-Lock, NI
5	117-9482	1	Mount-Cross Arm, LH
6	117-9492	1	Mount-Cross Arm, RH
7	114-8051	2	Pin-Pivot
8	114-8047	2	Lever
9	114-8048	2	Spring
10	114-8049	2	Pin-Pivot
11	120-3227	8	Screw-HSH
12	120-2784-01	2	Horn-Basket
13	114-7728	4	Screw-HF

Attachments and Accessories

For 04591 Greensmaster eTriFlex 3370 Traction Unit

Product Name	Model/Part
Turf Evaluator	04399
Light Kit.....	04500
3WD Kit, Electric Triflex	04503
Standard Greensmower Seat Kit	04508
8-Blade DPA Reel Mower	04651
11-Blade DPA Reel Mower	04653
14-Blade DPA Reel Mower	04655
Anti-Bobbing Kit.....	04716
Tri-Roller	04722
Spiker	04723
Premium Seat.....	04729
Powercord-AC, Europe.....	107-0382
Powercord-AC, U.K.	107-0383
Wireless Hourmeter.....	115-4754
Premium Armrest Kit.....	119-7105
Weight Kit	119-7129
Armrest Kit.....	121-3660
Rear Light Kit.....	137-7945
Bag Kit.....	137-8130
Bimini Shade Kit	138-8579
Kit-Fuses	139-8482
Tire - 20 X 10.00-8, 4ply.....	144-3665
Charger-single, 120v	144-3848
Height-of-Cut Bar.....	94-9010

Notes:

Notes:



Count on it.