



**Count on it.**

**Parts Catalog**

**Groundsmaster® 4000-D  
Rotary Mower**

Model No. 30448—Serial No. 31000001 and Up



# Ordering Replacement Parts

To order replacement parts, please supply the part number, the quantity, and the description of each part desired.

## Understanding Reference Numbers

Each identified part in an illustration has a reference number. The reference number for a part also appears in the parts list, along with other information about the part.

This catalog uses two special reference number formats, one to indicate parts in a service assembly and another to indicate the quantity of a given part in an illustration.

## Service Assembly Reference Numbers

Parts in service assemblies have reference numbers in the form a:b. The a represents the reference number of the entire service assembly and the b represents a sequential number unique to each part within the service assembly.

For example, a wheel assembly might be identified by reference number 6, the tire by 6:1, the valve by 6:2, and the wheel by 6:3. When you order the assembly identified by reference number 6, you receive all parts identified by reference numbers 6:1, 6:2, and 6:3. However, you may also order any part individually. Reference numbers of this type appear in illustration and in parts lists.

## Reference Numbers Indicating Quantity

In an illustration, if a reference number indicates more than one part, the reference number has the form nX y. The n represents the quantity of the part, the X is the multiplication symbol, and the y represents the reference number.

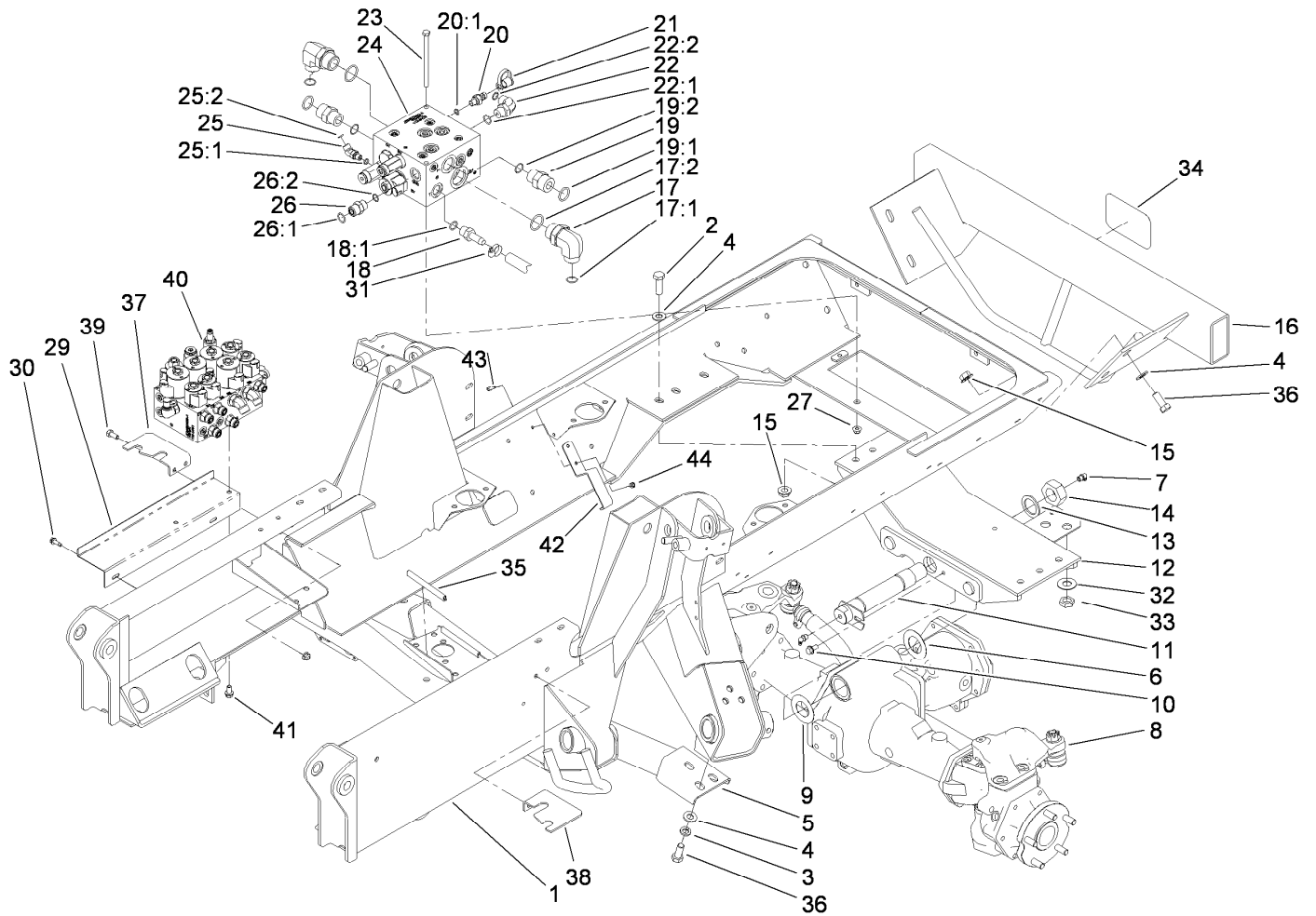
For example, in an illustration, the reference number 2X 37 means that two of the parts identified by reference number 37 are indicated.

# Contents

Frame, Rear Axle Mount and Bumper Assembly	5
Bevel Pinion Shaft Assembly Rear Axle Assembly No. 110-4750	6
Differential Assembly Rear Axle Assembly No. 110-4750	7
Axle Support Assembly Rear Axle Assembly No. 110-4750	8
Bevel Gear Case Assembly Rear Axle Assembly No. 110-4750	9
Bevel Gear Shaft Assembly Rear Axle Assembly No. 110-4750	10
Axle Case Assembly Rear Axle Assembly No. 110-4750	11
Axle Assembly Rear Axle Assembly No. 110-4750	12
4-Wheel Drive Manifold Assembly No. 112-9123	13
Lift Manifold Assembly No. 119-0061	14
4 Wheel Drive Rear Axle and Tire Assembly	15
Piston Motor Assembly No. 104-0764	16
Steering Cylinder Assembly No. 105-0775	17
Planetary, Brake and Tire Assembly	18
Planetary Assembly No. 105-4588	20
Brake Assembly No. 100-3069-03	21
Piston Motor Assembly No. 100-3052	22
Hydraulic PTO Manifold Assembly No. 115-8467	23
Brake Assembly No. 100-3070-03	24
Hydraulic PTO Manifold Assembly No. 115-8469	25
Hydraulic PTO Manifold Assembly No. 115-8468	26
Platform and Seat Base Assembly	27
Air Ride Seat Suspension Assembly No. 108-1488	29
Premium Seat Assembly No. 117-5676	31
Steering Tower Assembly	32
Steering Valve Assembly No. 114-5074	33
Traction Pedal and Linkage Assembly	34
Brake Pedal and Linkage Assembly	35
Controller and Tool Box Assembly	36
Control Console Assembly	37
Fuel Tank, Battery and Roll-Over Protection System Assembly	38
Front Deck Lift Arm and Cylinder Assembly	40
Hydraulic Cylinder Assembly No. 107-4304	42
Gear Motor Assembly No. 99-5489	43
Side Deck Lift Arm, Cylinder and Latch Assembly	44
Hydraulic Cylinder Assembly No. 107-4303	45
Side Deck Lift Arm and Damper Assembly	46
Hood and Screen Assembly	48
Air Cleaner and Muffler Assembly	49
Air Cleaner Assembly No. 99-5410	50
Radiator, Oil Cooler and Support Assembly	51
Engine Mount, Fuel Line and Fan Drive Assembly	53
Hydraulic Motor Assembly No. 117-4769	54
Flywheel and Throttle Assembly	55
Hydraulic Reservoir and Filter Assembly	56
Hydraulic Filter Manifold Assembly No. 114-8129	57
Pump Installation and Filter Assembly	58
Piston Pump Assembly No. 114-9769	60
Control Assembly No. 115-4446	61
Traction Manifold Assembly No. 112-9124	62
Fan Drive Manifold Assembly No. 114-3847	63
Pump Assembly No. 114-9770	64
Traction Hydraulic Plumbing Assembly	65
Power-Take-Off Hydraulic Plumbing Assembly	66

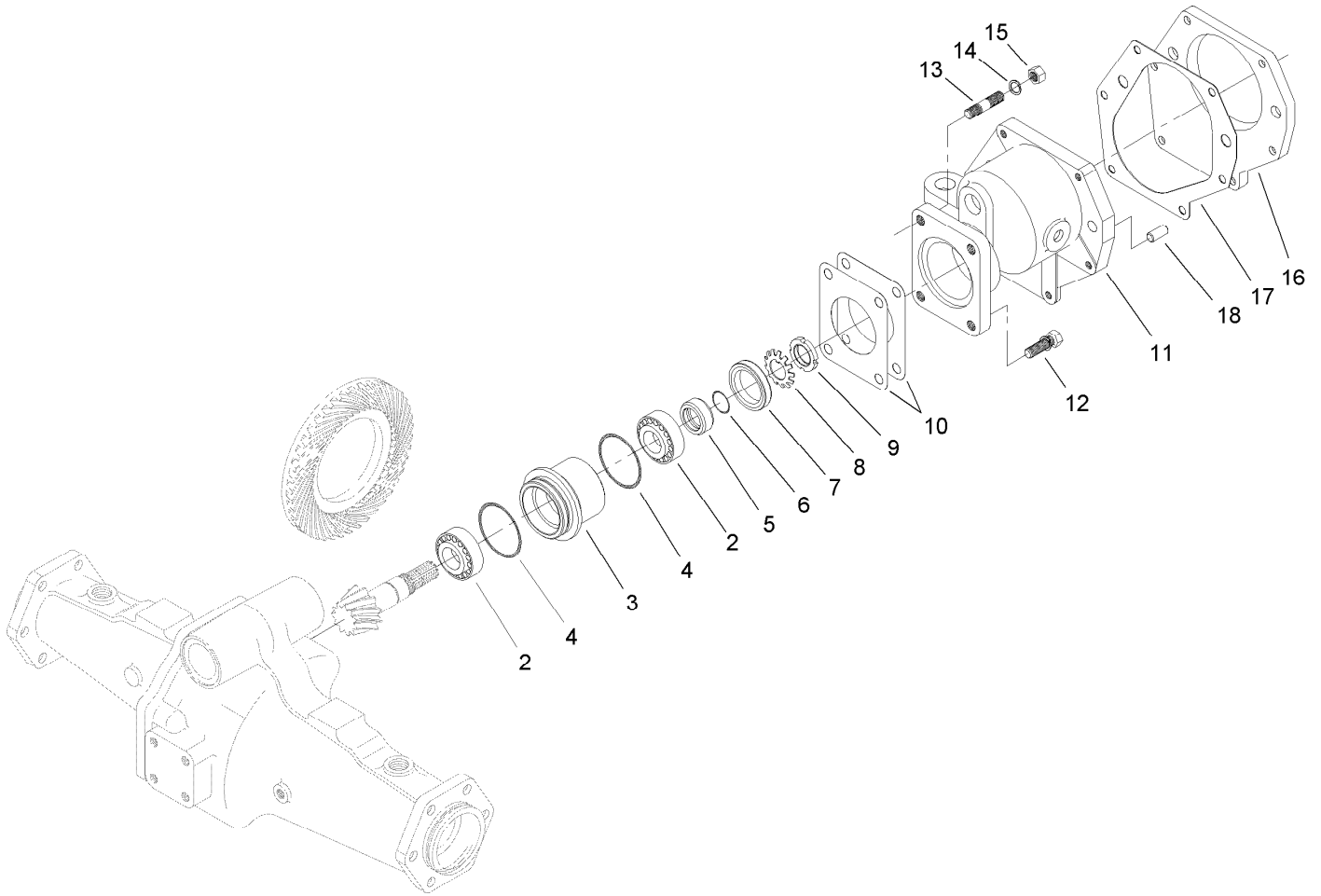
# Contents (continued)

Lift Arm Hydraulic Assembly . . . . .	67
Steering Hydraulic Assembly . . . . .	68
Front Deck, Idler and Skid Assembly . . . . .	69
Double Driven Spindle Assembly No. 104-3530 . . . . .	70
High Driven Spindle Assembly No. 104-3531 . . . . .	71
Front Deck Castor Arm and Tire Assembly . . . . .	72
Front Deck Spindle Installation Assembly . . . . .	73
Front Deck Chamber and Cover Assembly . . . . .	74
Right Hand Deck, Idler and Skid Assembly . . . . .	75
Low Driven Idler Assembly No. 104-3532 . . . . .	76
Right and Left Hand Caster Arm and Wheel Assembly . . . . .	77
Right and Left Hand Deck Spindle Installation Assembly . . . . .	78
Right Hand Deck Chamber and Cover Assembly . . . . .	79
Left Hand Deck, Idler and Skid Assembly . . . . .	80
Low Driven Idler Assembly No. 104-3532 . . . . .	81
Right and Left Hand Caster Arm and Wheel Assembly . . . . .	82
Right and Left Hand Deck Spindle Installation Assembly . . . . .	83
Left Hand Deck Chamber and Cover Assembly . . . . .	84
Crankcase Assembly . . . . .	85
Oil Pan Assembly . . . . .	86
Cylinder Head Assembly . . . . .	87
Gear Case Assembly . . . . .	88
Cylinder Head Cover Assembly . . . . .	89
Oil Filter Assembly . . . . .	90
Dipstick and Guide Assembly . . . . .	91
Oil Pump Assembly . . . . .	92
Main Bearing Case Assembly . . . . .	93
Cam Shaft and Idle Gear Assembly . . . . .	94
Piston and Crankshaft Assembly . . . . .	95
Flywheel Assembly . . . . .	96
Fuel Camshaft and Governor Shaft Assembly . . . . .	97
Idle Apparatus and Stop Solenoid Assembly . . . . .	98
Injection Pump Assembly . . . . .	99
Governor Assembly . . . . .	100
Speed Control Plate Assembly . . . . .	101
Nozzle Holder and Glow Plug Assembly . . . . .	102
Alternator and Pulley Assembly . . . . .	103
Alternator Component Part Assembly . . . . .	104
Starter Assembly . . . . .	105
Starter Components Assembly . . . . .	106
Water Flange and Thermostat Assembly . . . . .	107
Water Pump Assembly . . . . .	108
Valve and Rocker Arm Assembly . . . . .	109
Inlet and Exhaust Manifold Assembly . . . . .	110
Turbo Charger Assembly . . . . .	111
Oil Pipe (Turbo Charger) Assembly . . . . .	112
Oil Cooler Assembly . . . . .	113
Muffler Gasket, Glow Controller and Operator Manual . . . . .	114
Upper Gasket Kit . . . . .	115
Lower Gasket Kit . . . . .	116
Attachments and Accessories . . . . .	117



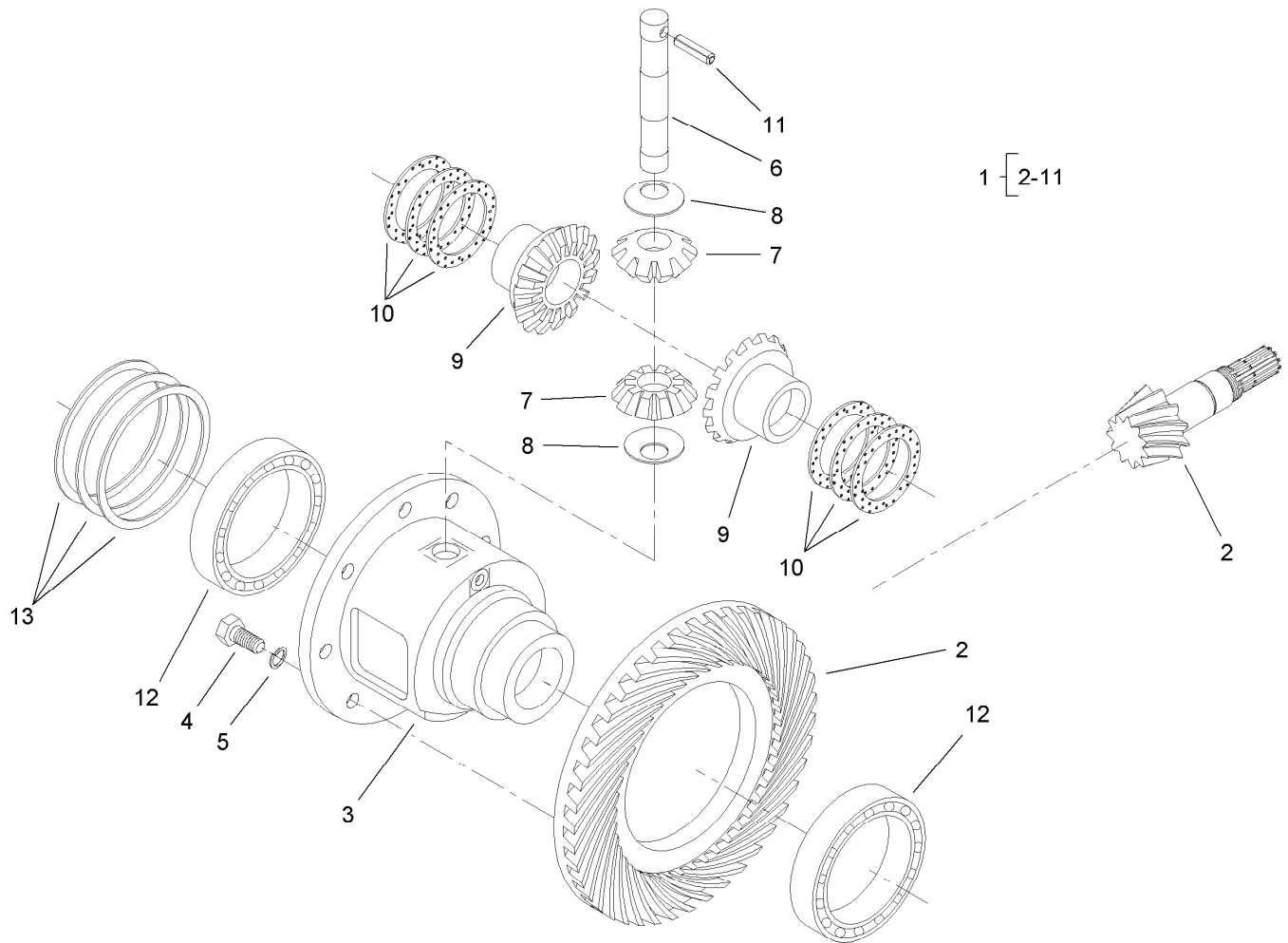
## Frame, Rear Axle Mount and Bumper Assembly

Ref.	Part Number	Qty.	Description	Ref.	Part Number	Qty.	Description
1	99-5450-03	1	Frame	22:1	237-79	1	O-Ring
2	325-6	6	Screw-HH	22:2	237-30	1	O-Ring
3	3253-7	6	Washer-Lock	23	322-29	2	Screw-HH
4	3256-26	16	Washer-Flat	24	112-9123	1	4-Wheel Drive Manifold ASM
5	115-3760-03	1	Support-Frame	25	340-103	1	Fitting-HYD, 45 DEG
6	99-8432	2	Washer-Thrust	25:1	237-78	1	O-Ring
7	302-33	2	Fitting-Grease	25:2	237-21	1	O-Ring
8	110-4750	1	Drive Axle ASM	26	340-4	1	Fitting-Straight
9	99-8431	2	Washer-Thrust	26:1	237-30	1	O-Ring
10	32144-14	1	Screw-HWHTF	26:2	237-79	1	O-Ring
11	98-7077	1	Pin-Axle, Rear	27	104-8300	6	Nut-HF, NI
12	107-0230-03	1	Mount-Rear	29	117-5706-03	1	Shield-Splash
13	92-1765	1	Washer-Thrust	30	32104-95	2	Screw-HWH
14	3296-68	1	Nut-Lock, NI	31	2412-36	1	Clamp-Hose
15	32128-23	10	Nut-HF	32	69-8940	2	Washer
16	104-7505-03	1	Bumper	33	340-70	2	Nut-Lock
17	340-15	2	Fitting-Elbow 90	34	67-1300	1	Decal
17:1	237-58	1	O-Ring	35	108-8079	2	Trim
17:2	237-146	1	O-Ring	36	325-5	10	Screw-HH
18	354-121	1	Fitting-STR	37	117-5707-03	1	Plate-Bulkhead, RH
18:1	237-79	1	O-Ring	38	117-5708-03	1	Plate-Bulkhead, LH
19	340-9	2	Fitting-STR	39	322-3	4	Screw-HH
19:1	237-58	1	O-Ring	40	119-0061	1	HYD Lift Manifold ASM
19:2	237-81	1	O-Ring	41	3234-14	2	Screw-HHF
20	354-77	1	Fitting-Quick	42	119-0070	1	Clamp-Hose
20:1	237-78	1	O-Ring	43	3290-126	2	Screw-HWH
21	354-79	1	Cap-Dust	44	3296-2	2	Nut-Lock, NI
22	340-98	1	Fitting-Elbow, 90 DEG				



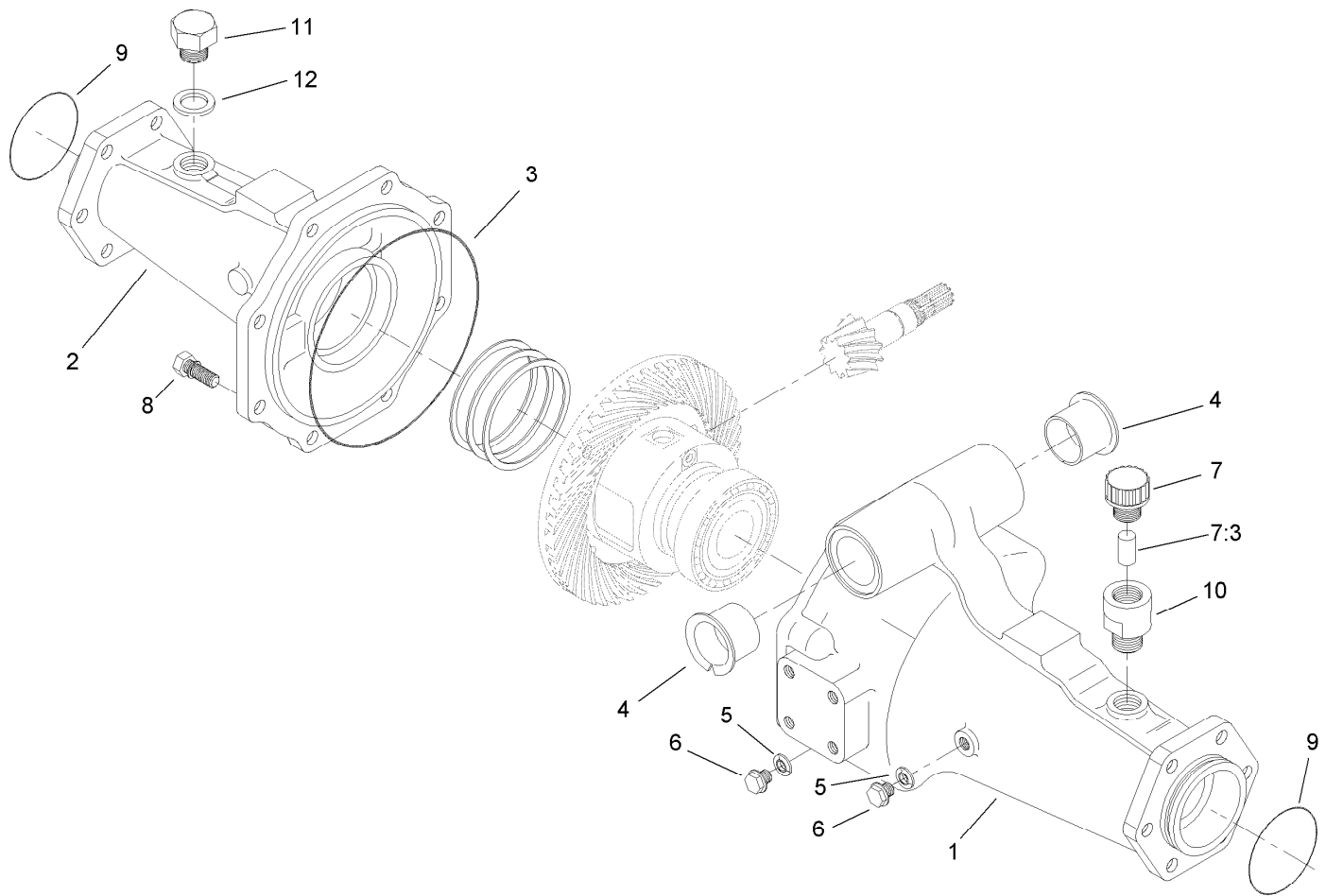
## Bevel Pinion Shaft Assembly Rear Axle Assembly No. 110-4750

<i>Ref.</i>	<i>Part Number</i>	<i>Qty.</i>	<i>Description</i>
2	99-7570	2	Bearing-Roller, Taper
3	95-7534	1	Case-Bearing
4	106-1065	2	O-Ring
5	99-7572	1	Collar-Seal, Oil
6	106-1066	1	O-Ring
7	99-7574	1	Seal-Oil
8	99-7559	1	Washer-Lock
9	99-7560	1	Nut-Lock
10	99-7550	2	Shim 0.1
10	99-7551	2	Shim 0.2
11	95-7533	1	Case-Gear
12	99-7575	2	Bolt
13	98-7735	2	Stud
14	99-7527	2	Washer-Spring
15	99-7526	2	Nut
16	95-7541	1	Plate-Cover
17	106-1140	1	Gasket
18	104-2353	2	Pin-Dowel



## Differential Assembly Rear Axle Assembly No. 110-4750

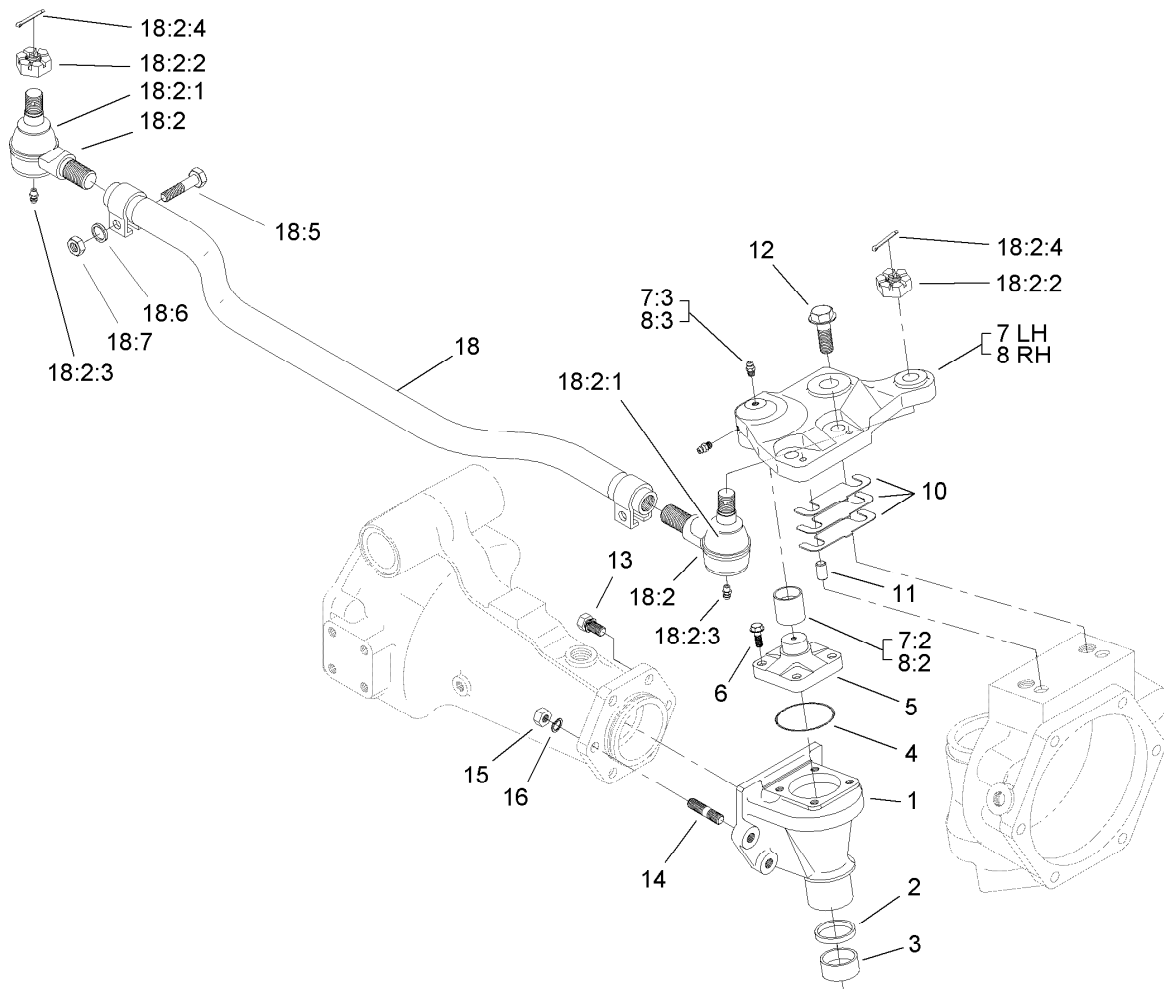
Ref.	Part Number	Qty.	Description
1	95-7503	1	Differential ASM
2	100-2555	1	Ring And Pinion Matched Set
3	95-7502	1	Case-Differential
4	99-7576	8	Bolt
5	3253-4	8	Washer-Lock
6	99-7578	1	Shaft-Differential
7	99-7579	2	Pinion-Differential
8	99-7580	2	Washer-Differential
9	99-7581	2	Gear-Differential
10	99-7582	2	Washer-Differential
10	99-7583	2	Washer-Differential
10	99-7584	2	Washer-Differential
11	99-7588	1	Pin-Spring
12	99-7562	2	Bearing-Ball
13	99-7585	2	Shim 0.1
13	99-7586	2	Shim 0.2
13	99-7587	2	Shim 0.4



## Axle Support Assembly Rear Axle Assembly No. 110-4750

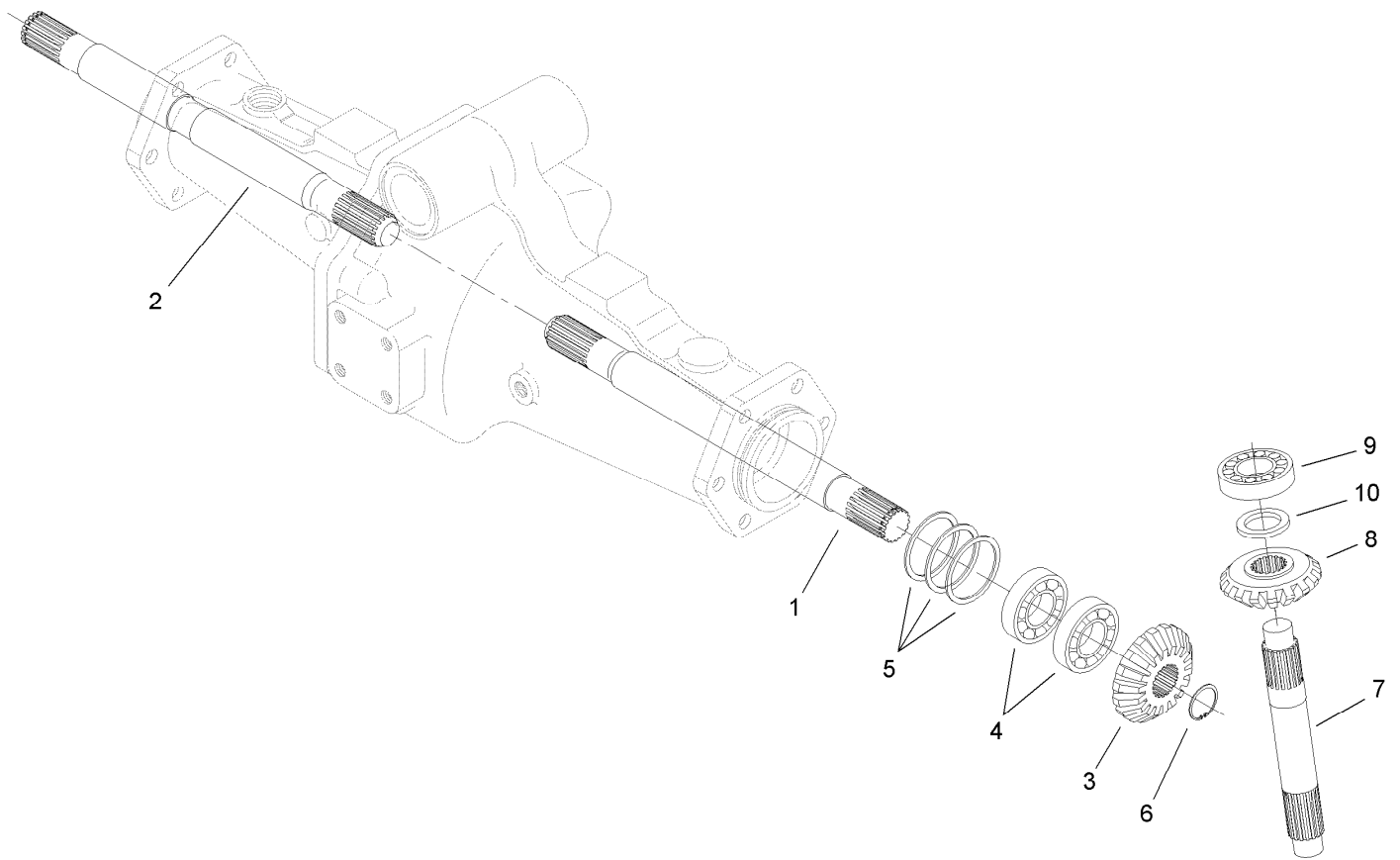
<i>Ref.</i>	<i>Part Number</i>	<i>Qty.</i>	<i>Description</i>
1	95-7508	1	Support-Axle
2	95-7506	1	Support-Axle
3	106-1067	1	O-Ring
4	95-7537	2	Bushing-Flanged
5	99-7590	2	Washer-Seal
6	99-7589	2	Plug
7	110-4812	1	Axle Vent ASM
7:3	110-4815	1	Insert-Filter, Foam
8	99-7592	8	Bolt
9	106-1068	2	O-Ring
10	104-2377	1	Extension-Vent
11	104-8643	1	Plug
12	104-8644	1	O-Ring





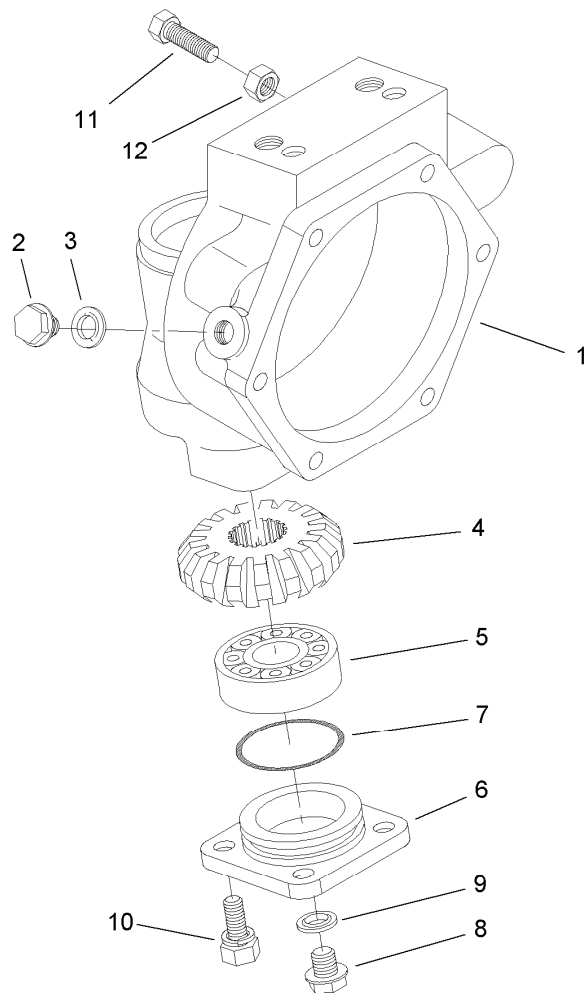
## Bevel Gear Case Assembly Rear Axle Assembly No. 110-4750

Ref.	Part Number	Qty.	Description	Ref.	Part Number	Qty.	Description
1	110-4752	2	Case-Gear, Bevel	12	104-2375	4	Bolt
2	110-4754	2	Seal-Oil	13	99-7599	8	Bolt
3	104-2378	2	Bushing	14	99-7525	4	Stud
4	106-1069	2	O-Ring	15	99-7526	4	Nut
5	104-2373	2	Knuckle	16	99-7527	4	Washer-Spring
6	104-2374	8	Bolt	18	106-1141	1	Steering Tie Rod ASM
7	100-3768	1	LH Steering Arm ASM	18:2	106-1113	2	Tie Rod End ASM - RH
7:2	104-8634	1	Bushing				Thread
7:3	106-1104	2	Fitting-Grease	18:2:1	100-3853	1	Cover-Dust
8	100-3766	1	RH Steering Arm ASM	18:2:2	100-3854	1	Nut-Castle
8:2	104-8634	1	Bushing	18:2:3	110-4755	1	Fitting-Grease
8:3	106-1104	2	Fitting-Grease	18:2:4	3272-11	1	Pin-Cotter
10	95-7547	2	Shim 0.1	18:5	100-3855	2	Bolt
10	95-7548	2	Shim 0.2	18:6	99-7527	2	Washer-Spring
10	95-7549	2	Shim 0.3	18:7	99-7526	2	Nut
11	99-7597	4	Pin-Dowel				



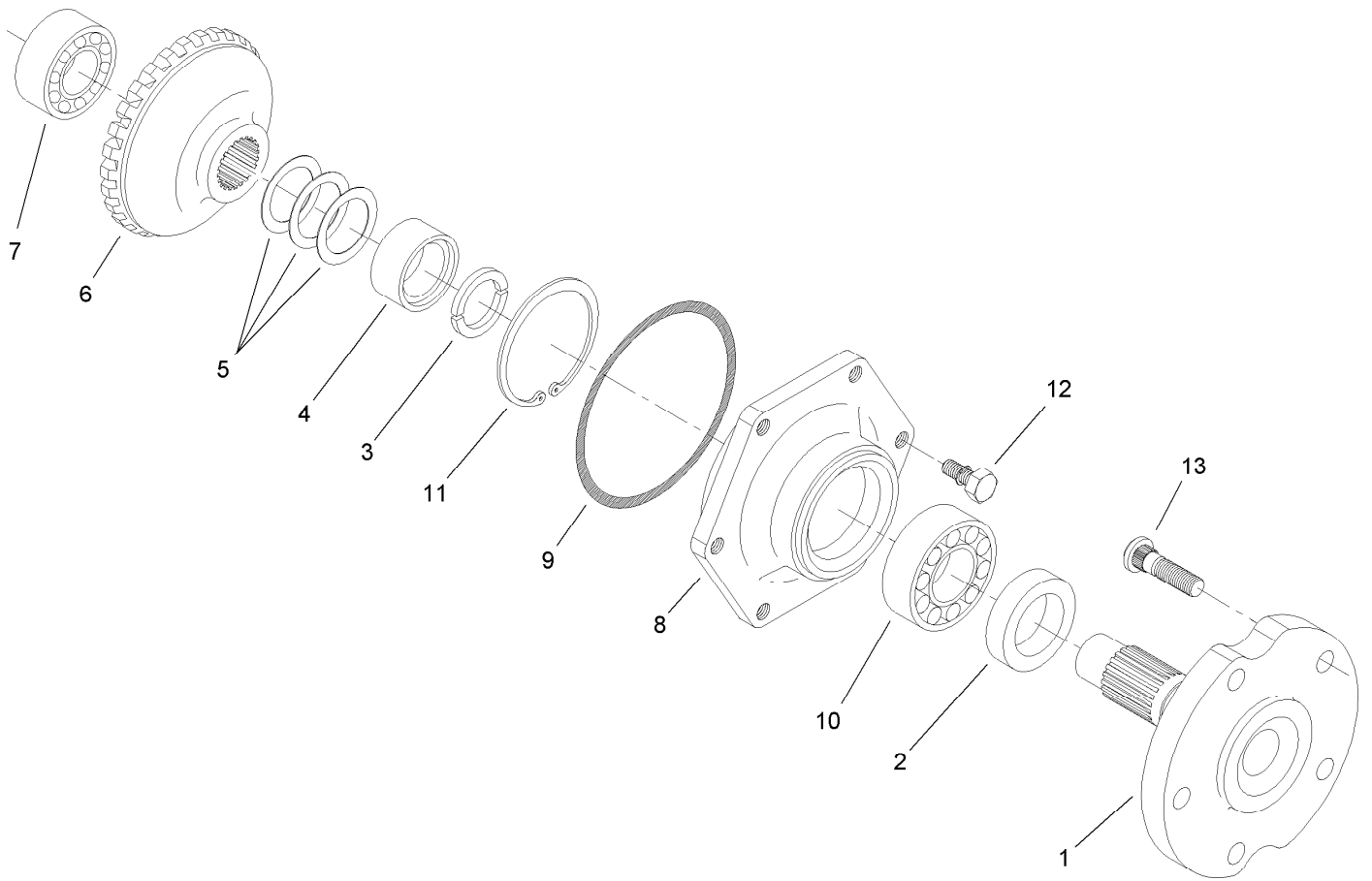
## Bevel Gear Shaft Assembly Rear Axle Assembly No. 110-4750

<i>Ref.</i>	<i>Part Number</i>	<i>Qty.</i>	<i>Description</i>
1	95-7509	1	Shaft-Gear, Differential
2	95-7512	1	Shaft-Gear, Differential
3	95-7517	2	Gear-Bevel, 15 Tooth
4	99-7530	4	Bearing-Ball
5	99-7552	2	Shim 0.1
5	99-7553	2	Shim 0.2
5	99-7554	2	Shim 0.5
6	99-7531	2	Clip
7	110-4753	2	Shaft-Gear, Bevel
8	95-7519	2	Gear-Bevel, 17 Tooth
9	99-7532	2	Bearing-Roller, Taper
10	99-7558	2	Collar



## Axle Case Assembly Rear Axle Assembly No. 110-4750

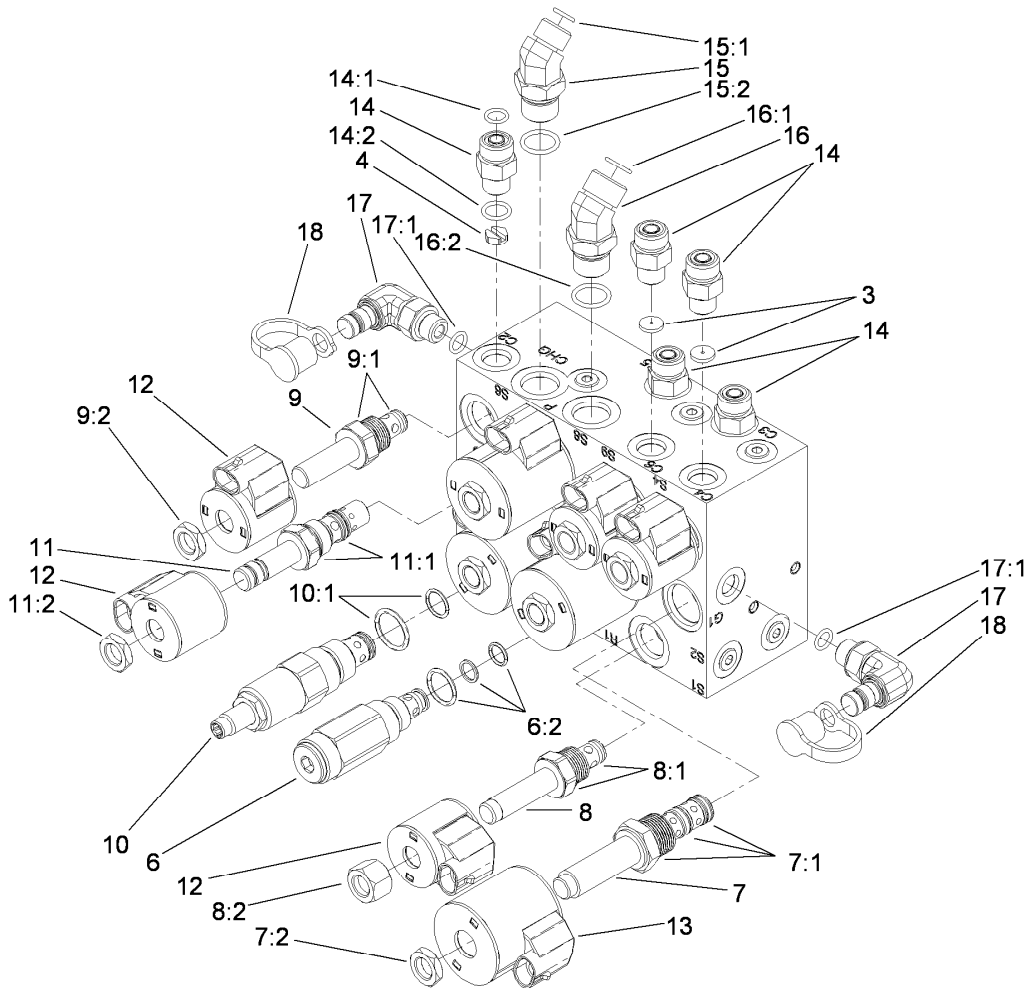
<i>Ref.</i>	<i>Part Number</i>	<i>Qty.</i>	<i>Description</i>
1	110-4751	2	Case-Axle
2	99-7535	2	Plug
3	99-7536	2	Washer-Seal
4	95-7527	2	Gear-Bevel, 17 Tooth
5	99-7532	2	Bearing-Roller, Taper
6	100-2560	2	Cover
7	106-1070	2	O-Ring
8	99-7589	2	Plug
9	99-7590	2	Washer-Seal
10	100-2562	8	Bolt
11	106-1102	2	Bolt-Stop
12	106-1103	2	Nut



## Axle Assembly Rear Axle Assembly No. 110-4750

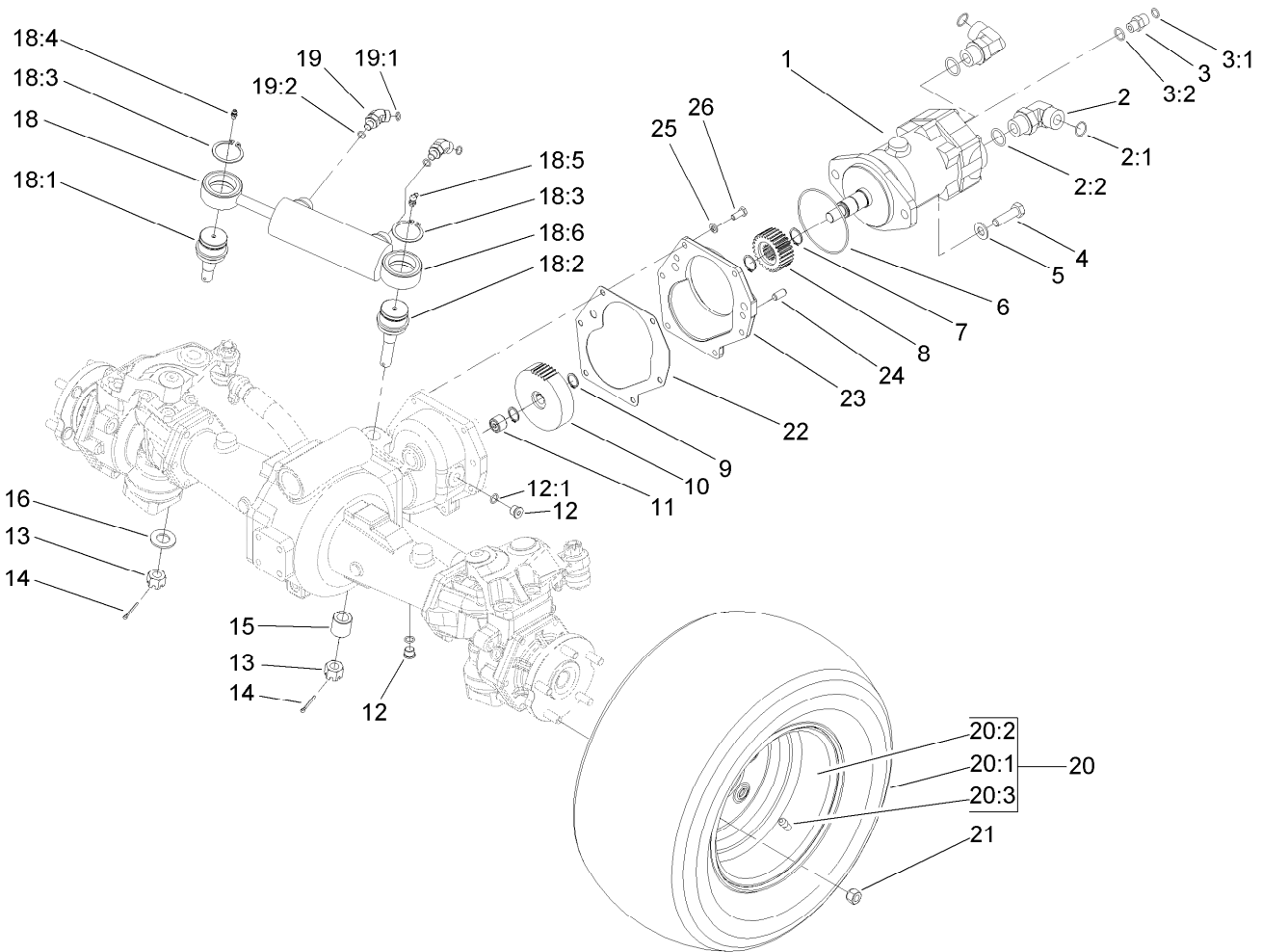
<i>Ref.</i>	<i>Part Number</i>	<i>Qty.</i>	<i>Description</i>
1	95-7522	2	Axle
2	99-7564	2	Seal-Oil
3	95-7544	4	Clip
4	95-7523	2	Spacer
5	99-7555	2	Shim 0.3
5	99-7556	2	Shim 0.2
5	99-7557	2	Shim 0.5
6	95-7524	2	Gear-Bevel, 29 Tooth
7	99-7534	2	Bearing-Ball
8	95-7521	2	Cover-Axle
9	106-1071	2	O-Ring
10	99-7561	2	Bearing-Ball
11	99-7539	2	Clip
12	99-7596	12	Bolt
13	99-7563	10	Stud





## Lift Manifold Assembly No. 119-0061

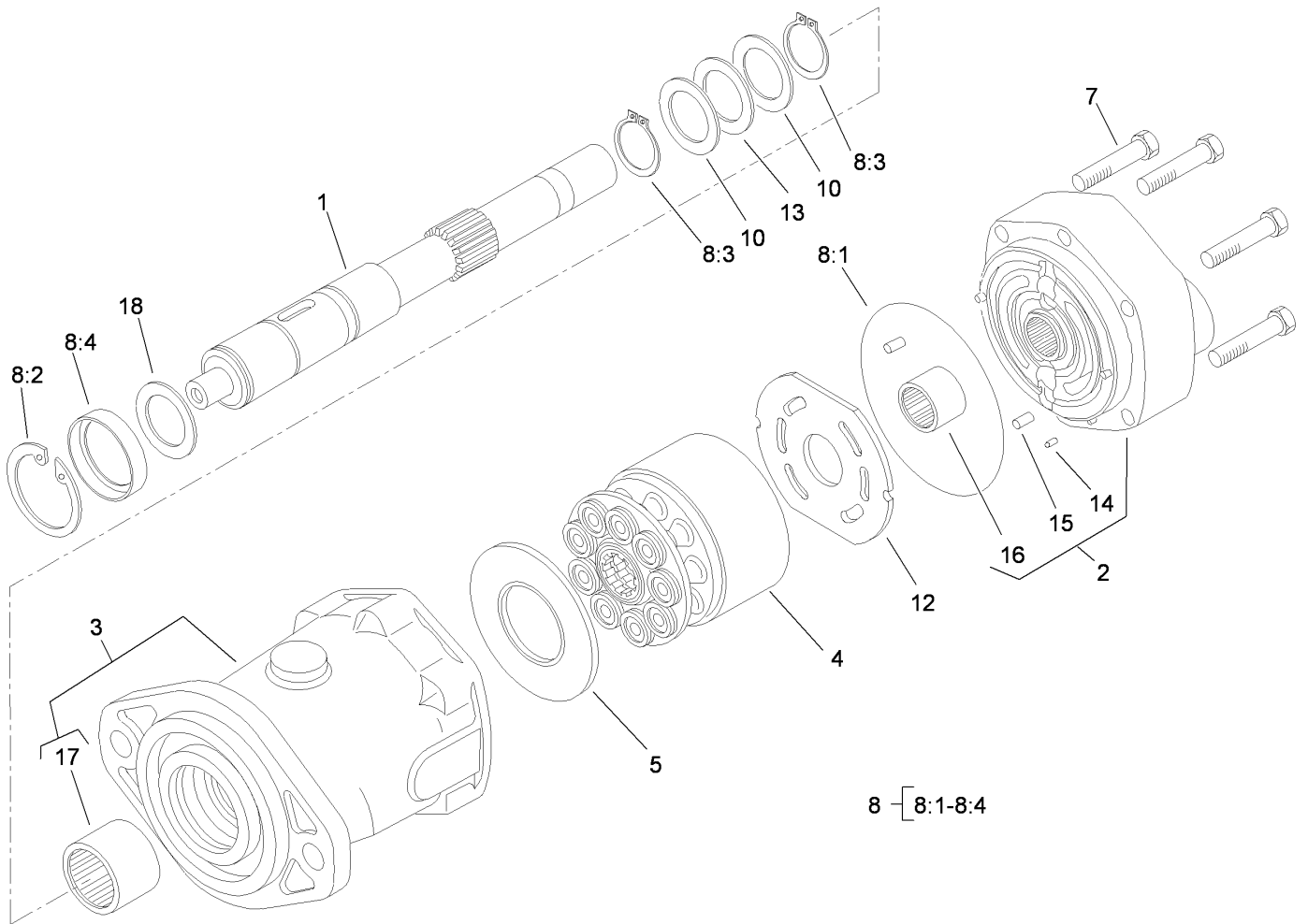
Ref.	Part Number	Qty.	Description	Ref.	Part Number	Qty.	Description
3	117-4757	2	Orifice-Disk, .063	11:2	110-2634	1	Nut-Coil
4	117-4756	1	Orifice-Flow Control, .080	12	110-0497	5	Coil-Solenoid
6	105-9844	1	Valve-Relief	13	110-6344	4	Coil-12V, DC
6:2	105-9156	1	Seal Kit	14	340-2	5	Fitting-Straight
7	115-5400	4	Solenoid Valve ASM	14:1	237-22	1	O-Ring
7:1	107-7813	1	Seal Kit	14:2	237-42	1	O-Ring
7:2	110-2634	1	Nut-Coil	15	340-138	1	Fitting-HYD, 45 DEG
8	107-7517	1	Valve-Solenoid	15:1	237-79	1	O-Ring
8:1	105-9156	1	Seal Kit	15:2	237-22	1	O-Ring
8:2	107-7812	1	Nut-Solenoid	16	340-101	1	Fitting-HYD, 45 DEG
9	112-9206	3	Solenoid Valve ASM	16:1	237-30	1	O-Ring
9:1	105-9156	1	Seal Kit	16:2	237-79	1	O-Ring
9:2	110-2634	1	Nut-Coil	17	115-9147	2	Fitting-Elbow, 90 DEG
10	119-0062	1	Valve-Relief	17:1	237-78	1	O-Ring
10:1	110-6316	1	Seal Kit	18	354-79	2	Cap-Dust
11	115-5405	1	Solenoid Valve ASM				
11:1	115-5413	1	Seal Kit				



## 4 Wheel Drive Rear Axle and Tire Assembly

Ref.	Part Number	Qty.	Description	Ref.	Part Number	Qty.	Description
1	104-0764	1	Piston Motor ASM	18	105-0775	1	Steering Cylinder ASM
2	340-142	2	Fitting-Elbow, 90 DEG	18:1	106-6774	1	Joint-Ball
2:1	237-58	1	O-Ring	18:2	100-3795	1	Joint-Ball
2:2	237-81	1	O-Ring	18:3	32151-104	2	Ring-Retaining, External
3	340-2	1	Fitting-Straight	18:4	302-5	1	Fitting-Grease
3:1	237-22	1	O-Ring	18:5	302-60	1	Fitting-Grease
3:2	237-42	1	O-Ring	18:6		1	Cylinder-Steering ●
4	325-7	2	Screw-HH	19	340-54	2	Elbow-45 DEG
5	3256-26	2	Washer-Flat	19:1	237-22	1	O-Ring
6	237-166	1	O-Ring	19:2	237-78	1	O-Ring
7	32120-76	2	Ring-Snap, EXT	20		2	Wheel And Tire ASM ●
8	104-0755	1	Pinion-27 Tooth	20:1	94-5236	1	Tire
9	32120-15	2	Ring-Snap, EXT	20:2	100-2582	1	Rim
10	100-3053	1	Gear-45 Tooth	20:3	232-27	1	Stem-Valve
11	74-5700	1	Bearing-Needle, Roller	21	93-5268	10	Nut-Lug
12	353-989	2	Plug-Hex, Hollow	22	106-1140	1	Gasket
12:1	237-42	1	O-Ring	23	95-7541	1	Plate-Cover
13	32136-14	2	Nut-Hst	24	104-2353	2	Pin-Dowel
14	3272-12	2	Pin-Cotter	25	3253-4	6	Washer-Lock
15	100-3796	1	Spacer-Joint, Ball	26	33114-020	6	Screw-HH
16	92-5836	1	Washer				

● Not serviced separately

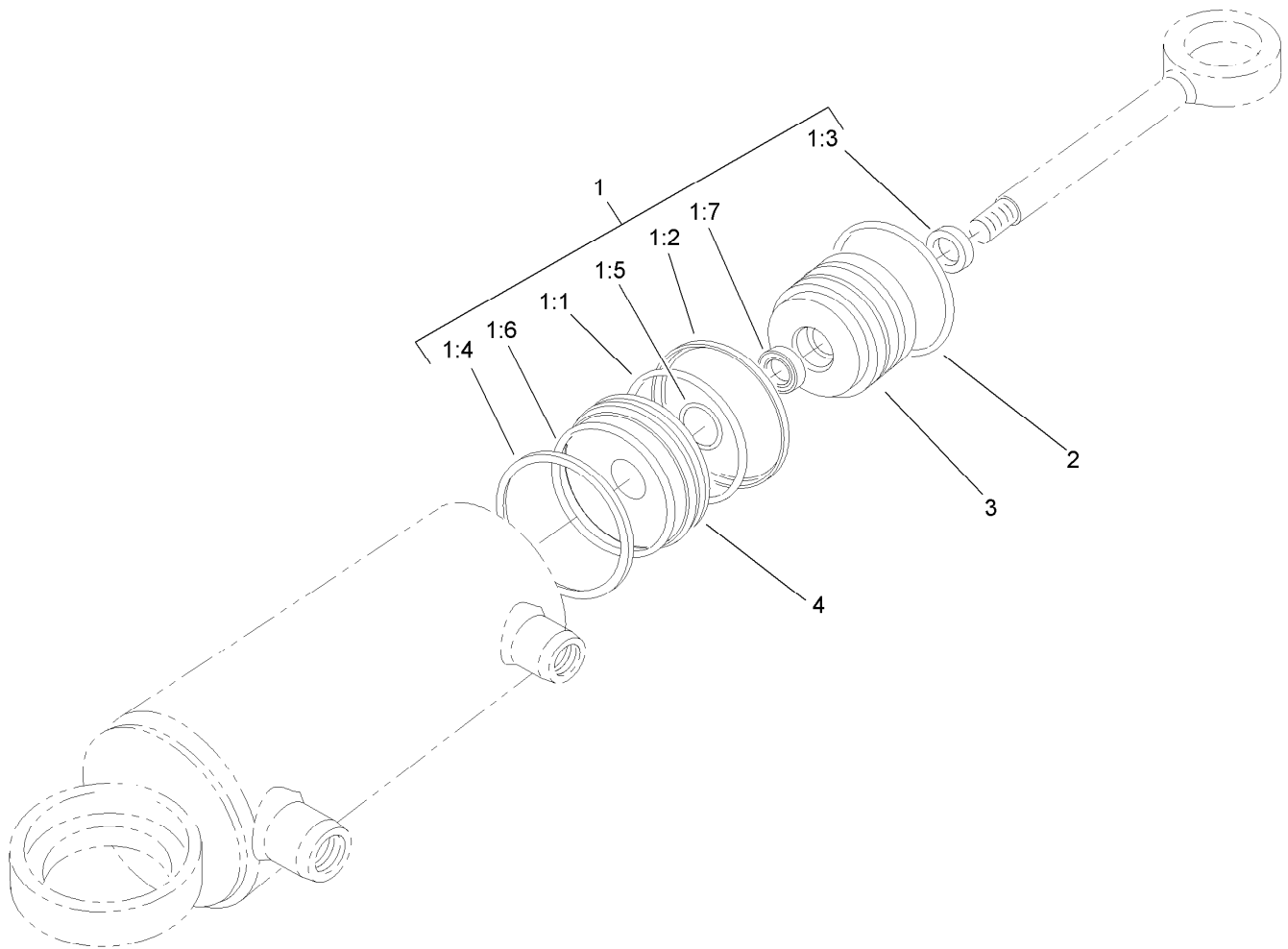


## Piston Motor Assembly No. 104-0764

Ref.	Part Number	Qty.	Description
1	105-2853	1	Shaft-Drive
2	105-2854	1	Backplate ASM
3	105-2855	1	Housing ASM
4	76-6910	1	Rotating Kit
5	76-6970	1	Insert-Plate, Cam
7	94-3002	6	Screw-Cap
8	106-6876	1	Seal Kit
8:1		1	Ring-Retaining ●
8:2	76-7010	1	Ring-Retaining
8:3	76-7000	2	Ring-Retaining
8:4		1	Seal-Shaft ●
10	76-6950	2	Race-Thrust
12	94-3003	1	Plate-Valve
13	76-6960	1	Bearing-Thrust
14		3	Pin-Dowel ●
15		1	Pin-Dowel ●
16		1	Bearing-Needle ●
17		1	Bearing-Needle ●
18	60-6240	1	Washer

● Not serviced separately

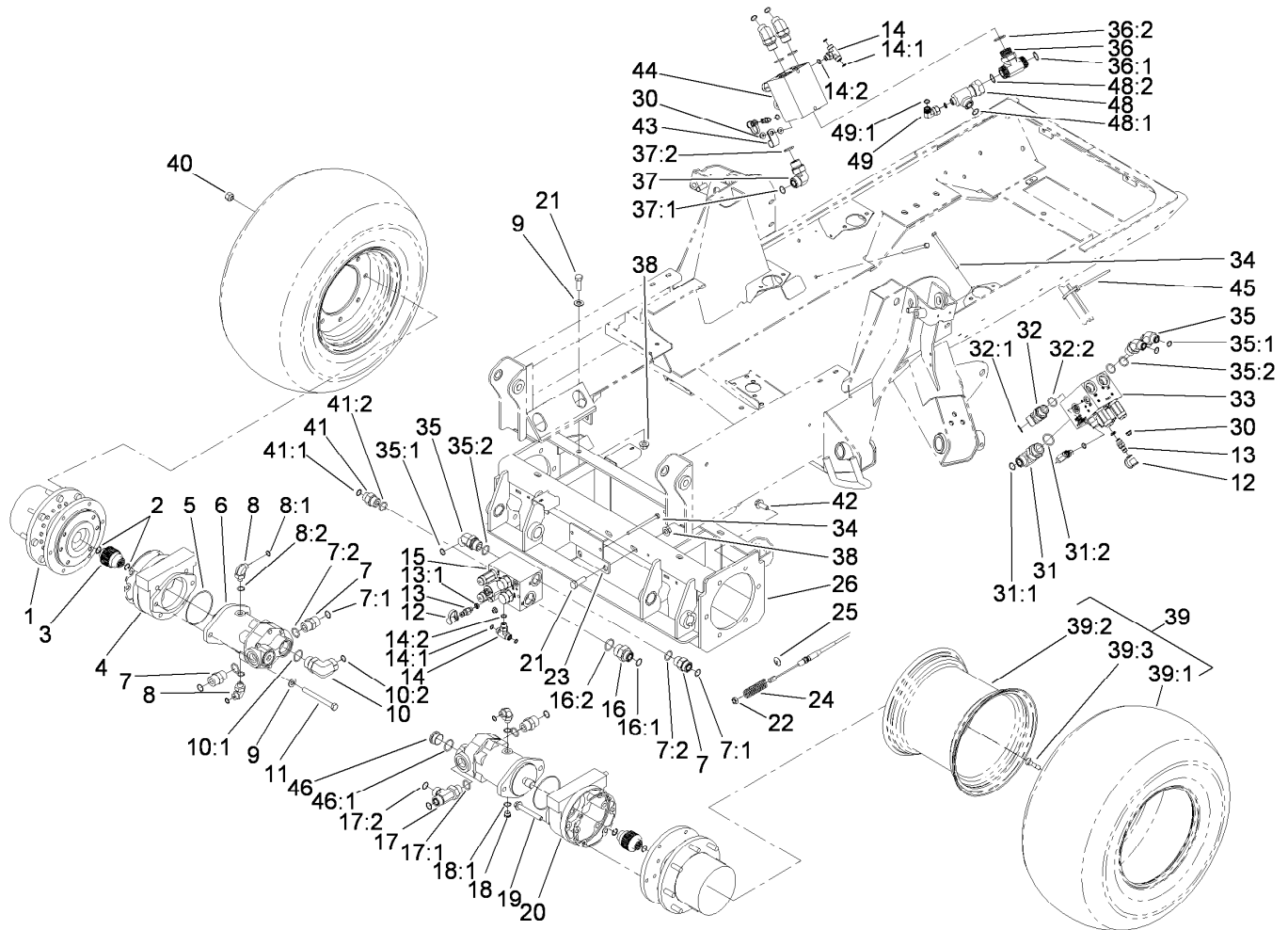




## Steering Cylinder Assembly No. 105-0775

<i>Ref.</i>	<i>Part Number</i>	<i>Qty.</i>	<i>Description</i>
1	107-0245	1	Seal Kit
1:1		1	Ring-Retaining ●
1:2		1	Back-Up ●
1:3		1	Wiper ●
1:4		1	Seal ●
1:5		1	Ring-Retaining ●
1:6		1	Ring-Retaining ●
1:7		1	Seal ●
2		1	Ring-Retaining ●
3		1	Head ●
4		1	Piston ●

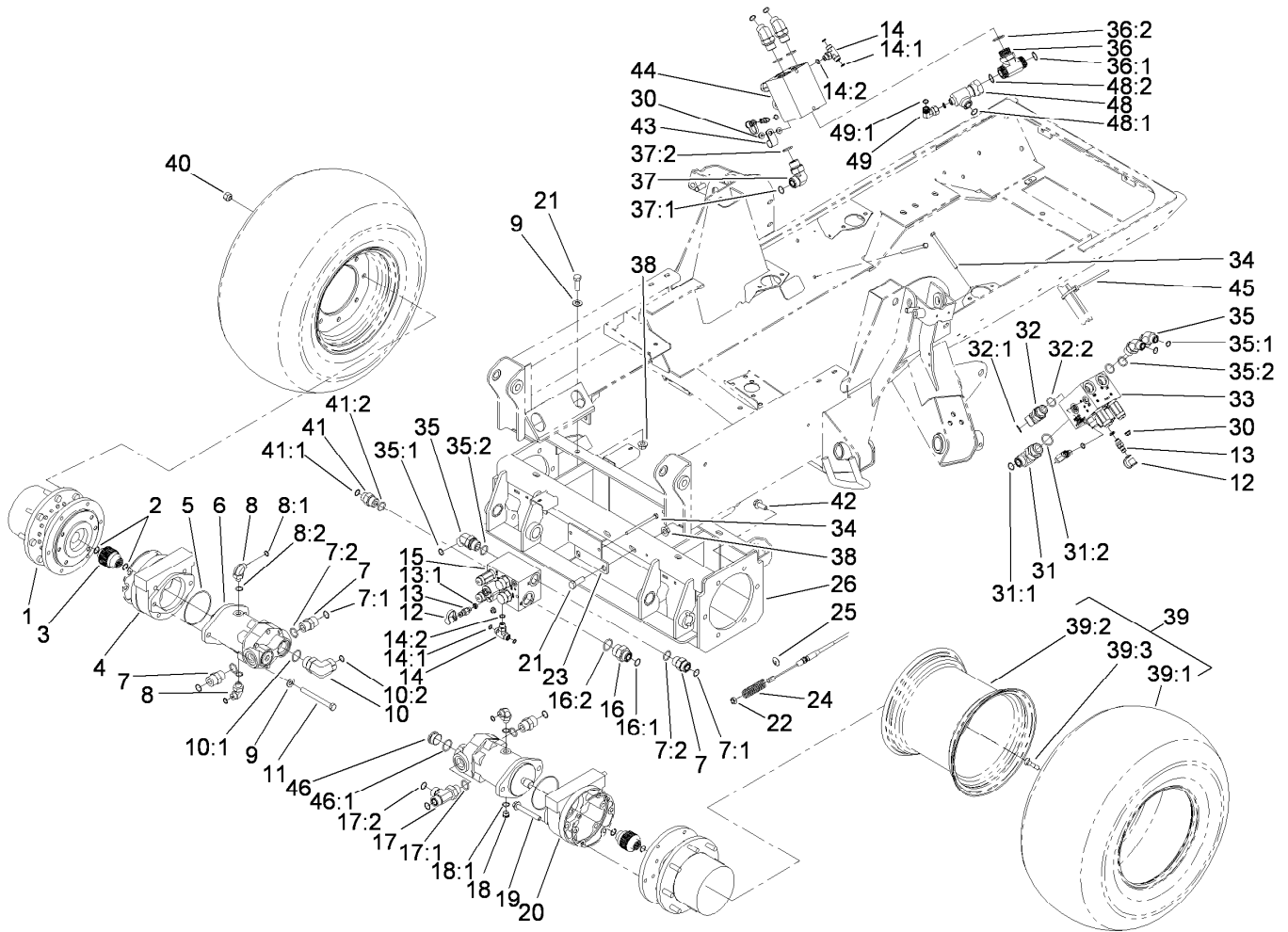
● Not serviced separately



## Planetary, Brake and Tire Assembly

Ref.	Part Number	Qty.	Description	Ref.	Part Number	Qty.	Description
1	105-4588	2	Planetary ASM	16:1	237-58	1	O-Ring
2	93-7972	4	Ring-Retaining, Internal	16:2	237-146	1	O-Ring
3	100-3046	2	Shaft-Brake, Splined	17	340-148	1	Fitting-Tee
4	100-3069-03	1	Brake ASM	17:1	237-81	1	O-Ring
5	237-166	2	O-Ring	17:2	237-58	2	O-Ring
6	100-3052	2	Piston Motor ASM	18	353-989	1	Plug-Hex, Hollow
7	340-9	4	Fitting-STR	18:1	237-42	1	O-Ring
7:1	237-58	1	O-Ring	19	33106-090	8	Screw-HHF
7:2	237-81	1	O-Ring	20	100-3070-03	1	Brake ASM
8	340-99	3	Fitting-HYD, 90 DEG	21	325-6	8	Screw-HH
8:1	237-30	1	O-Ring	22	3218-4	2	Nut-Jam
8:2	237-42	1	O-Ring	23	104-0746-03	1	Bracket-Manifold
9	3256-26	10	Washer-Flat	24	94-3088	2	Spring-Compression
10	340-129	1	Fitting-Elbow, 90 DEG	25	119-0111	4	Plate-Spring
10:1	237-146	1	O-Ring	26	114-9775-03	1	Frame-Front
10:2	340-65	1	O-Ring	30	104-8300	7	Nut-HF, NI
11	33116-120	4	Screw-HH	31	340-15	1	Fitting-Elbow 90
12	354-79	3	Cap-Dust	31:1	237-58	1	O-Ring
13	354-77	3	Fitting-Quick	31:2	237-146	1	O-Ring
13:1	237-78	1	O-Ring	32	100-5530	1	Fitting-45 DEG
14	340-94	3	Adapter	32:1	237-58	1	O-Ring
14:1	237-22	2	O-Ring	32:2	237-81	1	O-Ring
14:2	237-42	1	O-Ring	33	115-8469	1	PTO Manifold ASM
15	115-8467	1	PTO Manifold ASM	34	322-38	6	Screw-HH
16	340-91	1	Fitting-STR	35	340-156	5	Fitting-Elbow 45

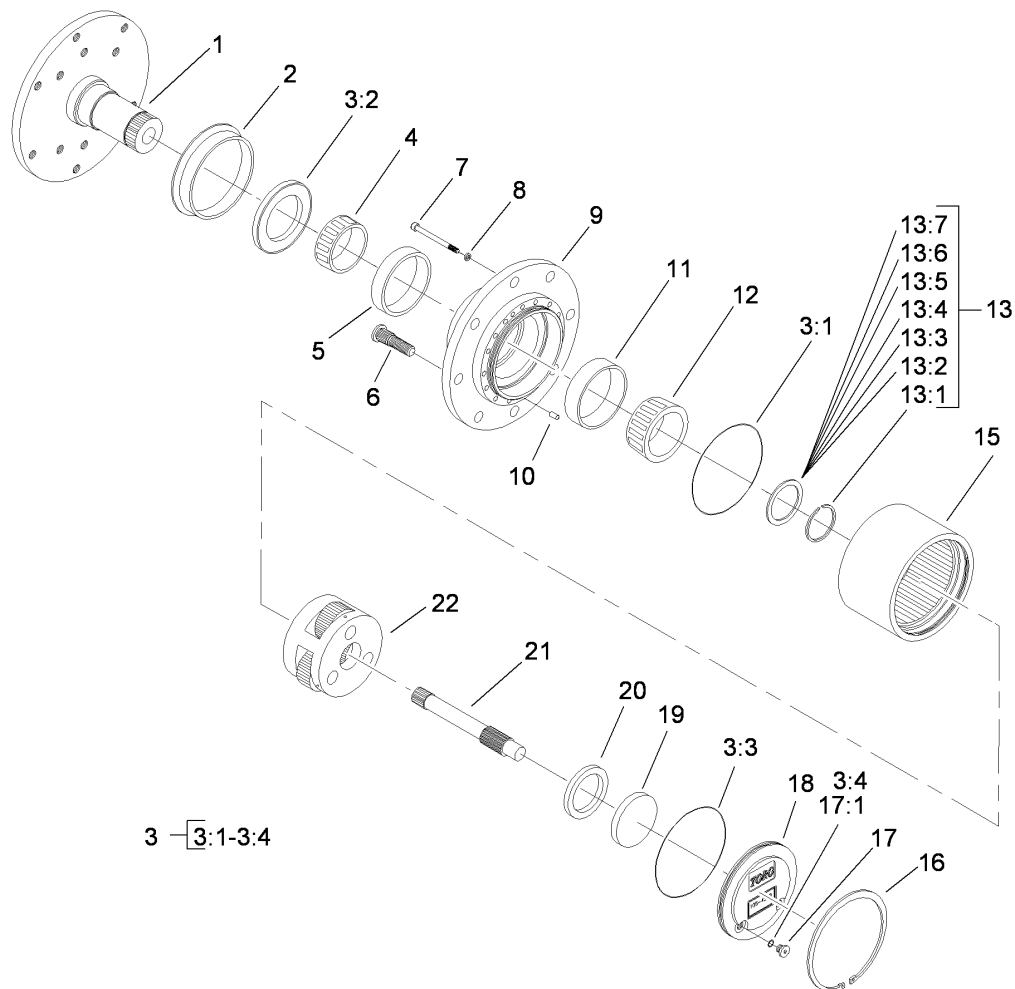
● Not serviced separately



## Planetary, Brake and Tire Assembly (continued)

Ref.	Part Number	Qty.	Description	Ref.	Part Number	Qty.	Description
35:1	237-65	1	O-Ring	41	340-8	1	Fitting-Straight
35:2	237-81	1	O-Ring	41:1	237-65	1	O-Ring
36	104-7501	1	Fitting-HYD	41:2	237-81	1	O-Ring
36:1	340-65	2	O-Ring	42	33106-030	12	Screw-HHF
36:2	237-146	1	O-Ring	43	2412-81	1	Clamp-R
37	340-142	1	Fitting-Elbow, 90 DEG	44	115-8468	1	PTO Manifold ASM
37:1	237-58	1	O-Ring	45	3290-378	3	Tie-Cable
37:2	237-81	1	O-Ring	46	106-2030	1	Plug-Hex, Hollow
38	32128-23	8	Nut-HF	46:1	237-146	1	O-Ring
39		2	Tire And Wheel ASM ●	48	115-8472	1	Fitting-HYD, Tee
39:1	99-5434	1	Tire	48:1	237-30	1	O-Ring
39:2	99-5432	1	Rim	48:2	237-58	1	O-Ring
39:3	232-27	1	Stem-Valve	49	94-6031	1	Elbow-90
40	242-50	16	Nut-Lug	49:1	237-30	1	O-Ring

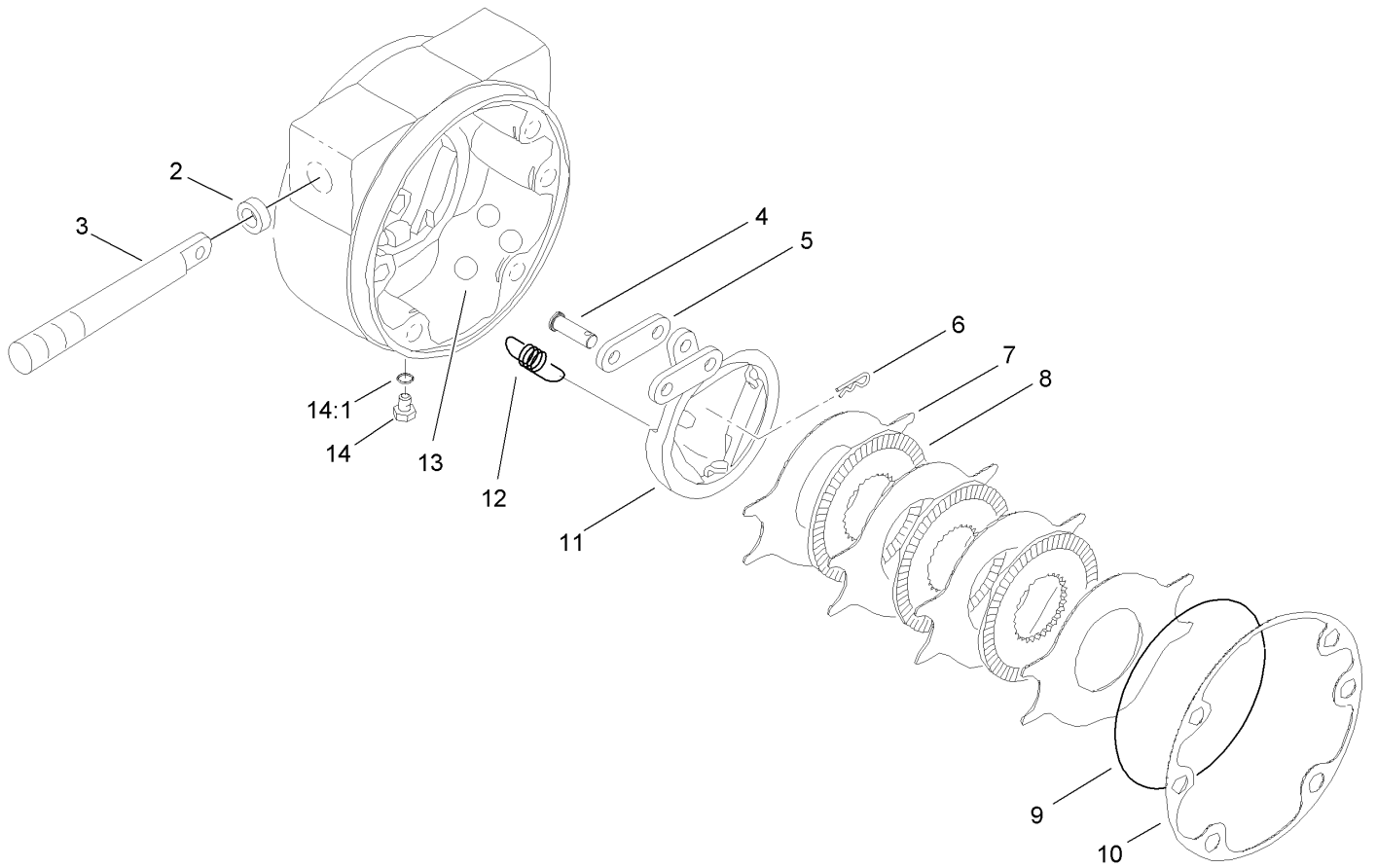
● Not serviced separately



## Planetary Assembly No. 105-4588

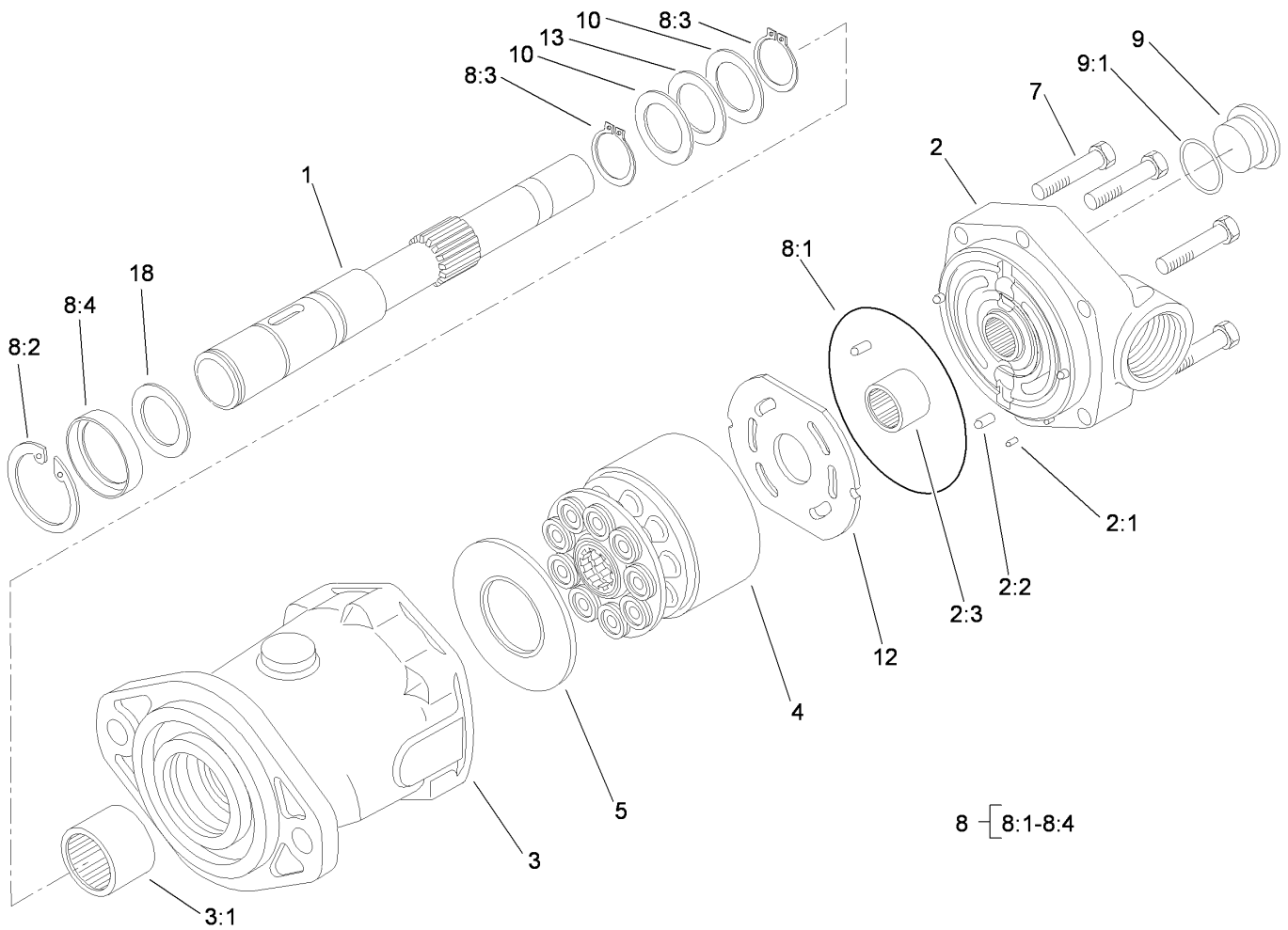
Ref.	Part Number	Qty.	Description	Ref.	Part Number	Qty.	Description
1		1	Spindle ●	13:1		1	Ring-Snap ●
2	105-8122	1	Seal-Boot	13:2		1	Shim-Bearing, 2.9Mm ●
3	105-8137	1	Seal Kit	13:3		1	Shim-Bearing, 2.8Mm ●
3:1		1	O Ring-Flange Cap ●	13:4		1	Shim-Bearing, 2.7Mm ●
3:2		1	Seal-Oil ●	13:5		1	Shim-Bearing, 2.6Mm ●
3:3		2	O Ring-End Cap ●	13:6		1	Shim-Bearing, 2.5Mm ●
3:4	237-78	2	O-Ring	13:7		1	Shim-Bearing, 2.4Mm ●
4	105-8120	1	Bearing-Cone	15	105-8113	1	Gear-Ring
5	105-8119	1	Bearing-Cup	16	105-8132	1	Ring-Retaining
6	105-8124	8	Stud-Wheel	17	353-990	2	Plug ASM
7	105-8125	16	Bolt-Head, Socket	17:1	237-78	1	O-Ring
8	3253-18	16	Washer-Lock	18	105-8138	1	Cap-End
9		1	Housing ●	19	105-8135	1	Plug-Thrust
10	105-8121	2	Pin-Dowel	20	106-6864	1	Washer-Thrust
11	105-8117	1	Bearing-Cup	21	105-8116	1	Shaft-Drive
12	105-8118	1	Bearing-Cone	22	106-6865	1	Secondary Carrier ASM
13	105-8136	1	Shim Kit				

● Not serviced separately



## Brake Assembly No. 100-3069-03

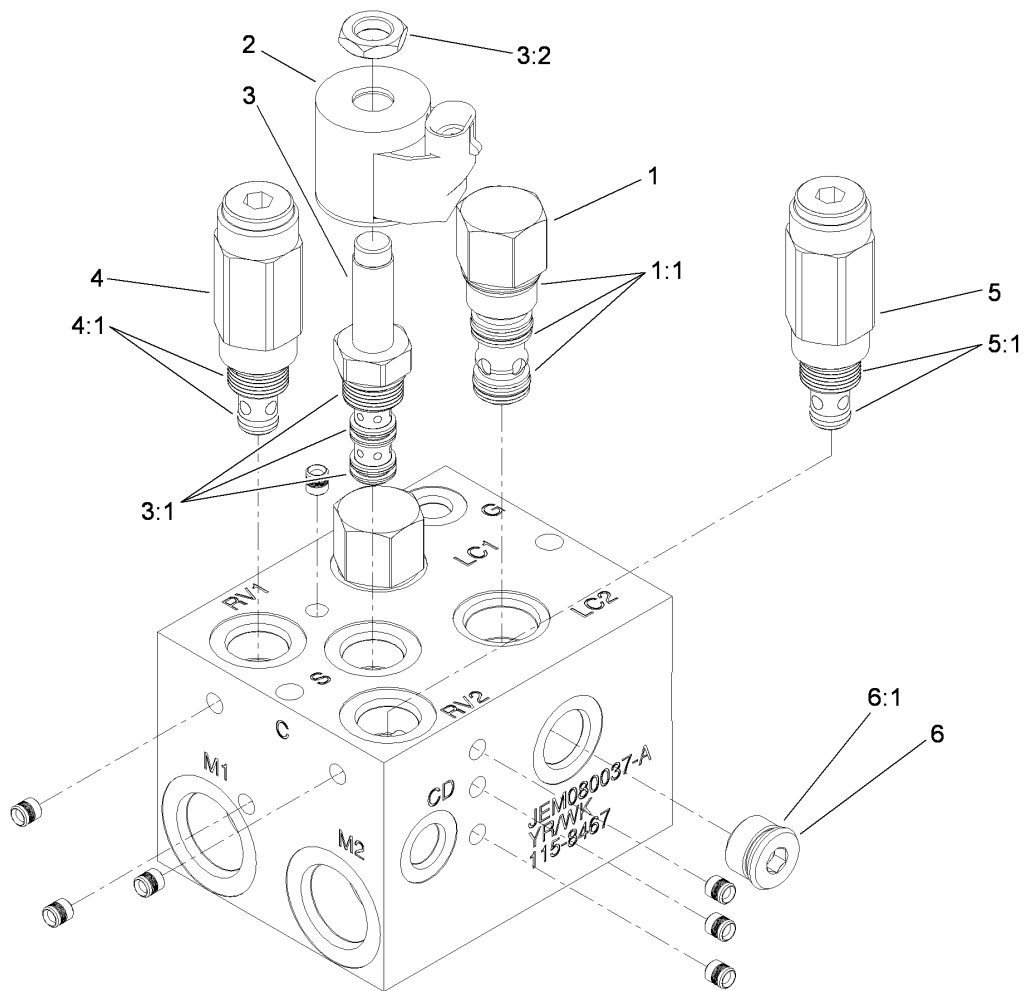
<i>Ref.</i>	<i>Part Number</i>	<i>Qty.</i>	<i>Description</i>
2	93-7977	1	Seal
3	93-7978	1	Rod-Pull
4	93-7983	2	Pin-Clevis
5	93-7980	2	Link
6	93-7979	2	Pin-Hitch
7	93-7986	4	Disc-Stationary
8	104-4278	3	Disc-Rotating
9	93-7976	1	Ring-Retaining
10	93-7984	1	Gasket
11	104-4280	1	Actuator-Rotating
12	93-7987	3	Spring-Extension
13	93-7985	3	Ball
14	353-990	2	Plug ASM
14:1	237-78	1	O-Ring



## Piston Motor Assembly No. 100-3052

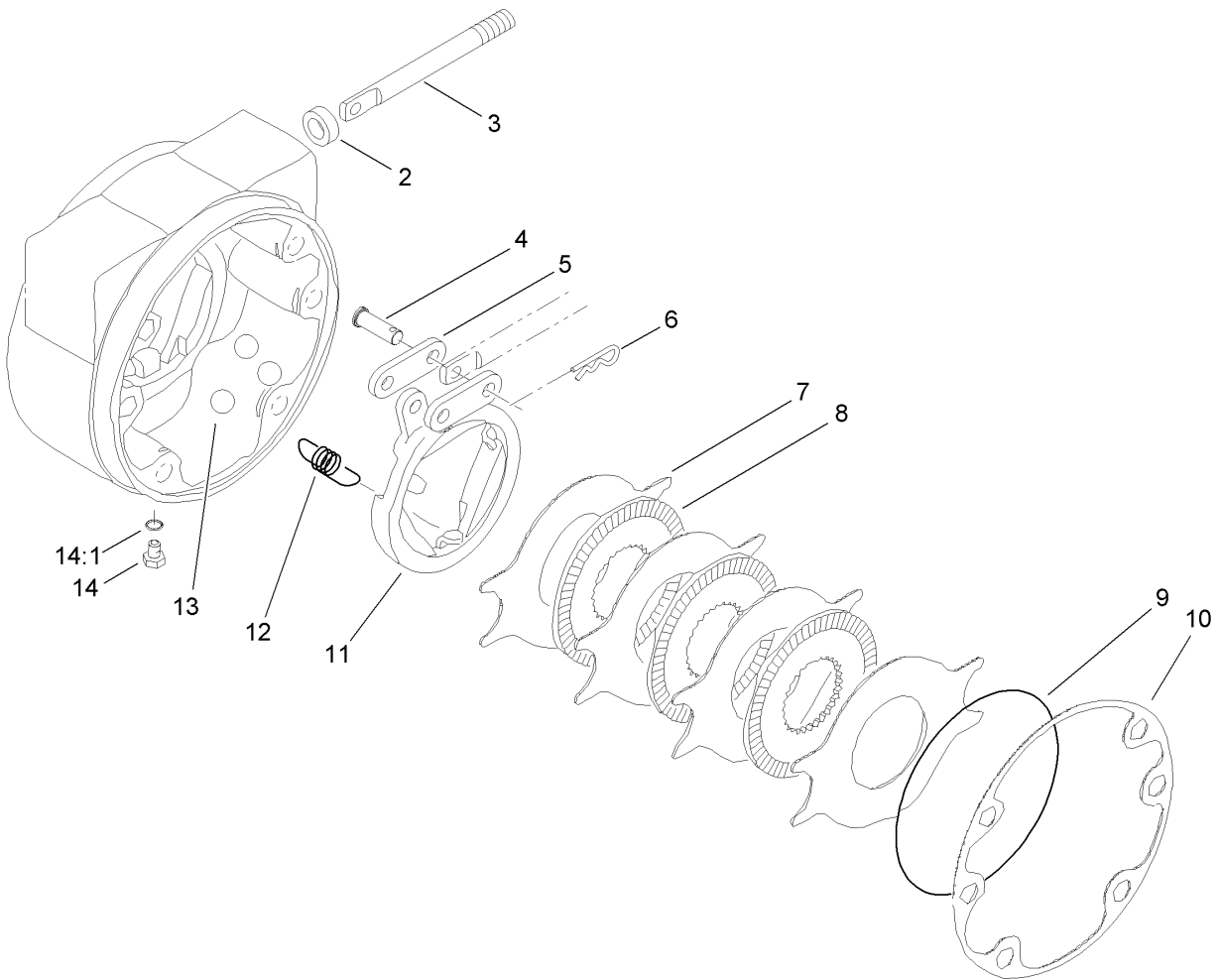
Ref.	Part Number	Qty.	Description
1	94-3004	1	Shaft-Drive, Splined
2	105-2851	1	Backplate ASM
2:1		3	Pin-Dowel ●
2:2		1	Pin-Dowel ●
2:3		1	Bearing-Needle ●
3	105-2852	1	Housing ASM
3:1		1	Bearing-Needle ●
4	76-6910	1	Rotating Kit
5	76-6970	1	Insert-Plate, Cam
7	94-3002	6	Screw-Cap
8	106-6876	1	Seal Kit
8:1		1	Ring-Retaining ●
8:2	76-7010	1	Ring-Retaining
8:3	76-7000	2	Ring-Retaining
8:4		1	Seal-Shaft ●
9	106-2030	1	Plug-Hex, Hollow
9:1	237-146	1	O-Ring
10	60-6160	2	Race
12	94-3003	1	Plate-Valve
13	76-6960	1	Bearing-Thrust
18	60-6240	1	Washer

● Not serviced separately



## Hydraulic PTO Manifold Assembly No. 115-8467

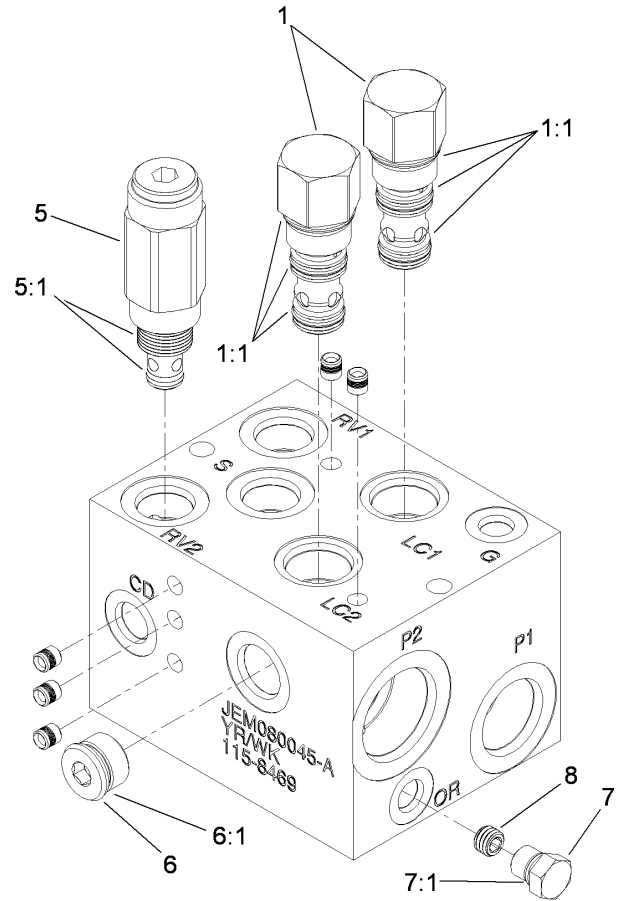
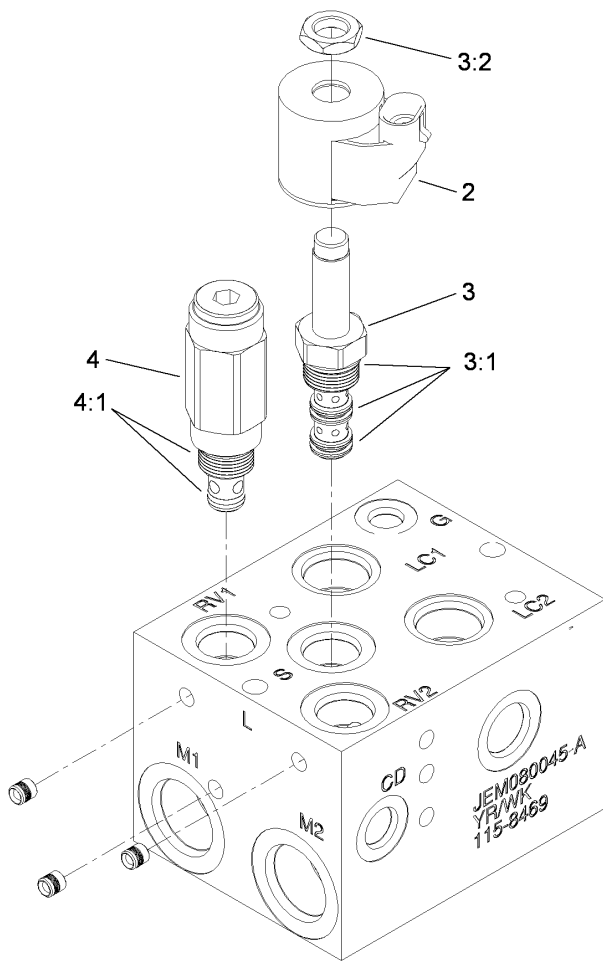
<i>Ref.</i>	<i>Part Number</i>	<i>Qty.</i>	<i>Description</i>
1	105-9153	2	Element-Logic, Vented
1:1	105-9154	1	Seal Kit
2	105-9333	1	Coil-12Vdc
3	110-0494	1	Valve-Solenoid
3:1	110-8773	1	Seal Kit
3:2	110-2634	1	Nut-Coil
4	114-5510	1	Valve-Relief, 3000 PSI
4:1	105-9156	1	Seal Kit
5	114-5512	1	Valve-Relief, 600 PSI
5:1	105-9156	1	Seal Kit
6	106-1027	1	Plug
6:1	237-79	1	O-Ring



## Brake Assembly No. 100-3070-03

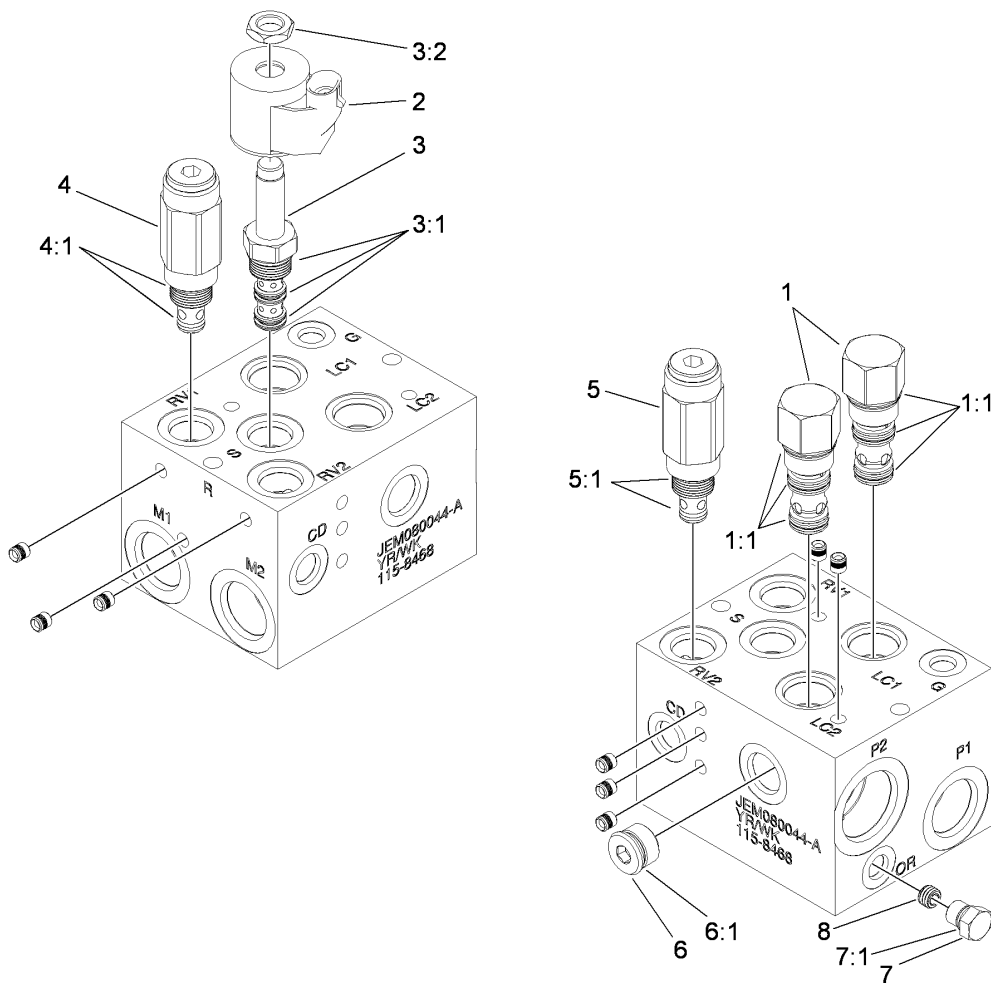
<i>Ref.</i>	<i>Part Number</i>	<i>Qty.</i>	<i>Description</i>
2	93-7977	1	Seal
3	93-7978	1	Rod-Pull
4	93-7983	2	Pin-Clevis
5	93-7980	2	Link
6	93-7979	2	Pin-Hitch
7	93-7986	4	Disc-Stationary
8	104-4278	3	Disc-Rotating
9	93-7976	1	Ring-Retaining
10	93-7984	1	Gasket
11	104-4279	1	Actuator-Rotating
12	93-7987	3	Spring-Extension
13	93-7985	3	Ball
14	353-990	2	Plug ASM
14:1	237-78	1	O-Ring





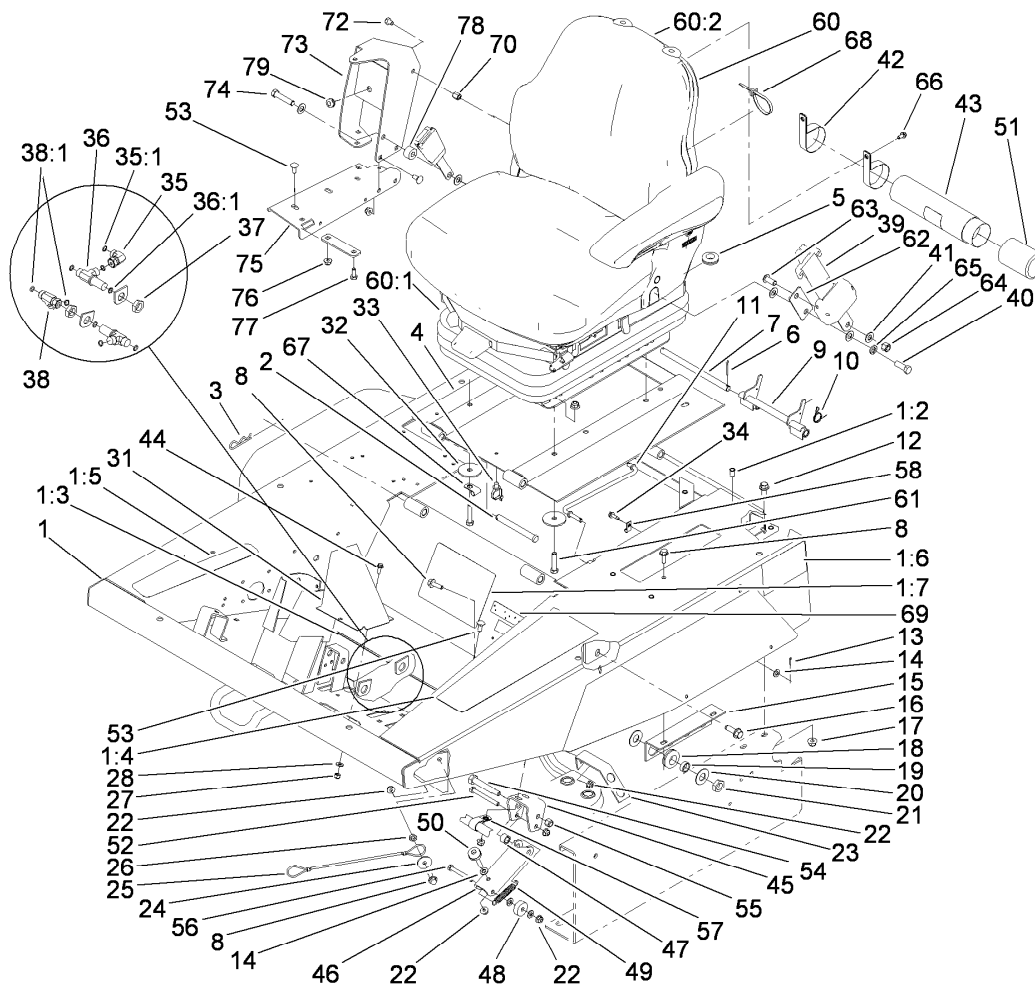
## Hydraulic PTO Manifold Assembly No. 115-8469

Ref.	Part Number	Qty.	Description
1	105-9153	2	Element-Logic, Vented
1:1	105-9154	1	Seal Kit
2	105-9333	1	Coil-12Vdc
3	110-0494	1	Valve-Solenoid
3:1	110-8773	1	Seal Kit
3:2	110-2634	1	Nut-Coil
4	114-5510	1	Valve-Relief, 3000 PSI
4:1	105-9156	1	Seal Kit
5	114-5512	1	Valve-Relief, 600 PSI
5:1	105-9156	1	Seal Kit
6	106-1027	1	Plug
6:1	237-79	1	O-Ring
7	353-512	1	Plug
7:1	237-78	1	O-Ring
8	112-6538	1	Orifice (.063 Inch)



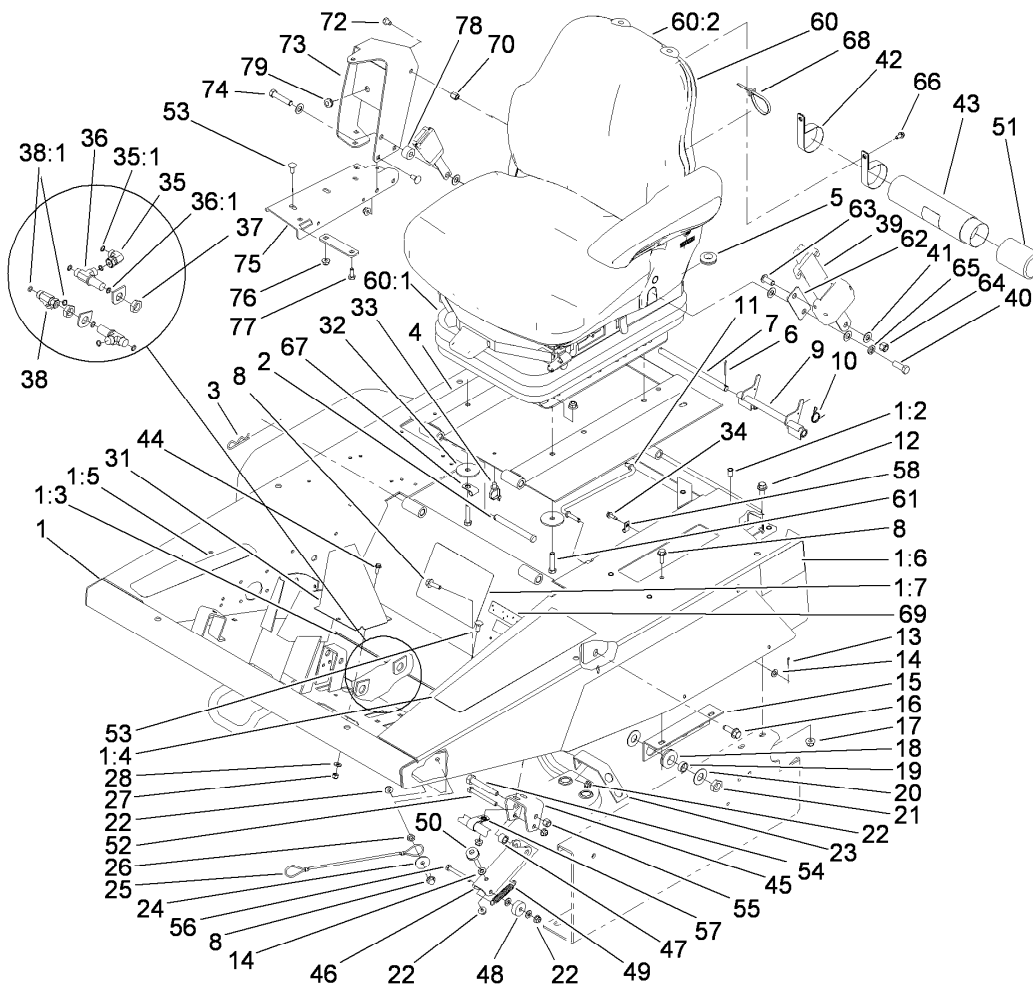
## Hydraulic PTO Manifold Assembly No. 115-8468

<i>Ref.</i>	<i>Part Number</i>	<i>Qty.</i>	<i>Description</i>
1	105-9153	2	Element-Logic, Vented
1:1	105-9154	1	Seal Kit
2	105-9333	1	Coil-12Vdc
3	110-0494	1	Valve-Solenoid
3:1	110-8773	1	Seal Kit
3:2	110-2634	1	Nut-Coil
4	114-5514	1	Valve-Relief, 2000 PSI
4:1	105-9156	1	Seal Kit
5	114-5512	1	Valve-Relief, 600 PSI
5:1	105-9156	1	Seal Kit
6	106-1027	1	Plug
6:1	237-79	1	O-Ring
7	353-512	1	Plug
7:1	237-78	1	O-Ring
8	112-6538	1	Orifice (.063 Inch)



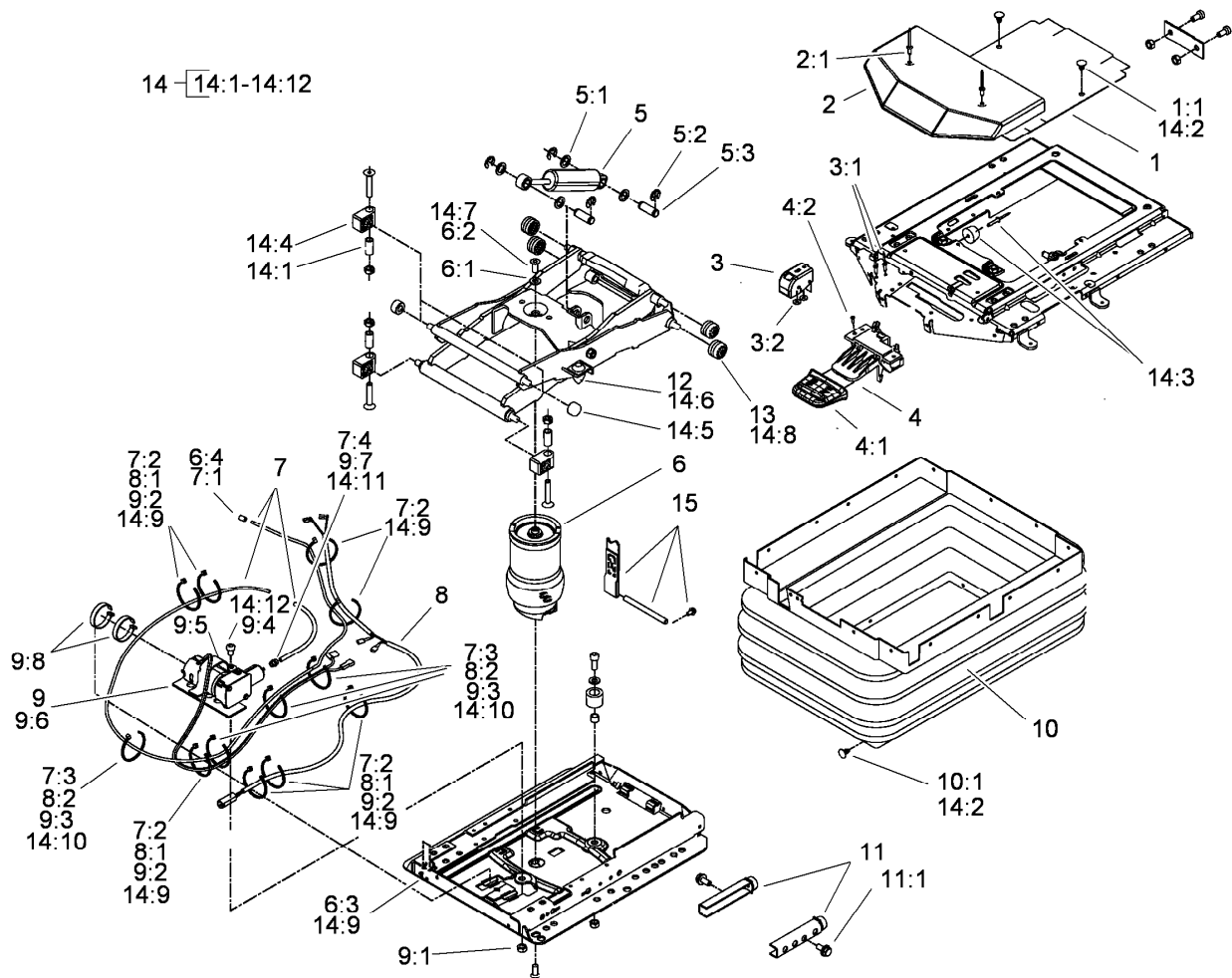
## Platform and Seat Base Assembly

Ref.	Part Number	Qty.	Description	Ref.	Part Number	Qty.	Description
1	117-5703	1	Platform ASM	22	104-8300	15	Nut-HF, NI
1:2	32148-6	7	Nut-Clinch	23	100-5500-03	1	Support
1:3	93-5349	2	Abrasive-Floor	24	3256-57	1	Washer-Flat
1:4	93-5507	1	Abrasive-Platform	25	93-9595	1	Lanyard
1:5	104-3599	1	Decal-Pedal, Traction	26	3218-3	1	Nut-Jam
1:6	94-8099	2	Decal	27	3296-42	2	Nut-Lock, NI
1:7	117-5735	1	Decal-Operating Instructions	28	3256-22	2	Washer-Flat
2	283-83	2	Pin-Clevis	31	100-3045-01	1	Cover-Tubes
3	3290-355	2	Pin-Hair	32	83-1040	4	Washer-Flat
4	117-5727-03	1	Plate-Seat	33	32180-030	1	Clip-Tie
5	100-4866	1	Grommet	34	32104-95	1	Screw-HWH
6	3272-11	2	Pin-Cotter	35	340-159	1	Elbow-90
7	93-5366	1	Shaft-Latch	35:1	237-22	2	O-Ring
8	3234-29	4	Screw-HHF	36	340-68	2	Fitting-Tee, Bulkhead
9	93-5363	1	Latch ASM	36:1	237-22	3	O-Ring
10	93-5367	1	Spring-Torsion	37	340-70	2	Nut-Lock
11	93-5338	1	Rod-Prop	38	340-115	1	Fitting-Tee
12	3234-42	2	Screw-HHF	38:1	237-22	2	O-Ring
13	3272-5	2	Pin-Cotter	39	110-0413	1	Seatbelt-Retractable
14	3256-23	5	Washer-Plain	40	3212-5	1	Screw-HH
15	100-3149-03	1	Bracket-Bulkhead	41	3256-25	5	Washer-Flat
16	32144-67	2	Screw	42	2412-133	2	Clamp-R
17	104-8301	6	Nut-HF, NI	43	104-7050	1	Tube-Manual
18	240-4	4	Grommet-Rubber	44	3234-33	2	Screw-HHF
19	69-8970	4	Spacer	45	106-2031-01	1	Support-Pivot
20	69-8940	8	Washer	46	106-2034-01	1	Arm-Latch
21	340-70	4	Nut-Lock	47	47-4420	1	Spacer-Sleeve, Adjustment
				48	92-2327	1	Spacer-Hose



## Platform and Seat Base Assembly (continued)

Ref.	Part Number	Qty.	Description	Ref.	Part Number	Qty.	Description
49	92-6682	1	Spring-Extension	64	3296-48	1	Nut-Hex
50	32141-36	1	Screw-Adjustment, Level	65	3253-6	1	Washer-Lock
51	104-7048	1	Cap-Housing	66	32104-116	2	Screw-HWHTF
52	322-14	1	Screw-HH	67	2412-113	2	Clamp-R
53	3230-1	7	Bolt-CARR	68	3290-378	2	Tie-Cable
54	71-3340	1	Bolt-Wheel	69	117-2718	1	Decal-Arrester, Spark
55	3296-6	1	Nut-Lock	70	112-7405	1	Nut-Hex, Coupling
56	322-12	1	Screw-HH	72	108-8646	1	Screw-HH, Lock
57	2412-4	1	Clamp-R	73	117-4798-03	1	Arm-Support
58	2412-72	1	Clip-Closed, Insulated	74	3212-8	1	Screw-HH
60	117-5677	1	Seat And Suspension ASM	75	119-0000-03	1	Channel-Support
60:1	108-1488	1	Seat Suspension ASM	76	112-7449-03	1	Bracket-Support
60:2	117-5676	1	Premium Seat ASM	77	322-3	1	Screw-HH
61	323-9	4	Screw-HH	78	17-7190	1	Spacer-Finger
62	108-1516	1	Mount-Belt, Seat	79	237-136	1	Grommet
63	3274-105	1	Screw-HSBH				



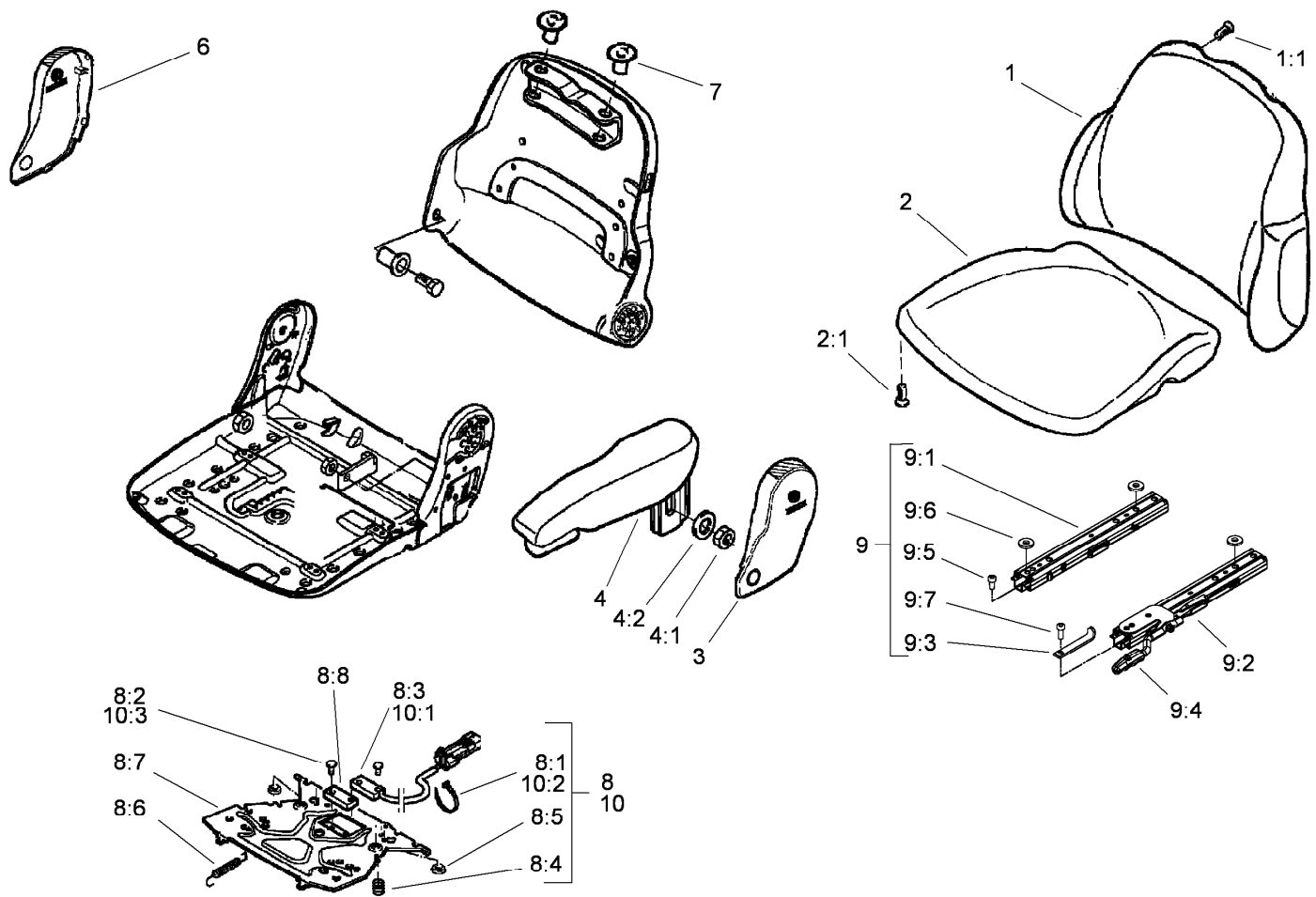
## Air Ride Seat Suspension Assembly No. 108-1488

Ref.	Part Number	Qty.	Description	Ref.	Part Number	Qty.	Description
1	108-8026	1	Cover ASM	8:1		8	Tie-Wire ■
1:1	39-5710	2	Plug-Plastic	8:2		4	Tie-Wire ■
2	108-8027	1	Cover	9	108-8034	1	Compressor Kit
2:1		2	Rivet ■	9:1		1	Nut ■
3	108-8028	1	Level Indicator Kit	9:2		5	Tie-Wire ■
3:1		2	Rivet ■	9:3		4	Tie-Wire ■
3:2		2	Washer ■	9:4		1	Screw ■
4	108-8029	1	Valve-Control, Air	9:5		1	Compressor ■
4:1		1	Handle ■	9:6		1	Plate-Mounting ■
4:2		3	Screw ■	9:7		1	Nipple-Hose ■
5	108-8030	1	Shock Absorber Kit	9:8		2	Clamp ■
5:1		4	Washer ■	10	108-8035	1	Bellows ASM
5:2		4	C-Clip ■	10:1	39-5710	23	Plug-Plastic
5:3		2	Pin ■	11	108-8036	1	Stop Kit
6	108-8031	1	Air Spring Kit	11:1		2	Screw ■
6:1		1	Washer ■	12	107-1213	2	Bumper Set
6:2		2	Screw ■	13	108-8037	4	Roller
6:3		1	Tie-Wire ■	14	108-8038	1	Wear Parts Kit ●
6:4		1	Nipple-Hose ■	14:1		4	Spacer ■
7	108-8032	1	Air Tube ASM	14:2	39-5710	2	Plug-Plastic
7:1		1	Nipple-Hose ■	14:3		1	Bumper ■
7:2		7	Tie-Wire ■	14:4		4	Support-Housing ■
7:3		4	Tie-Wire ■	14:5		2	Roller ■
7:4		1	Nipple-Hose ■	14:6	107-1213	2	Bumper Set
8	108-8033	1	Connecting Cable ASM	14:7		2	Screw ■

● Not illustrated

■ Not serviced separately



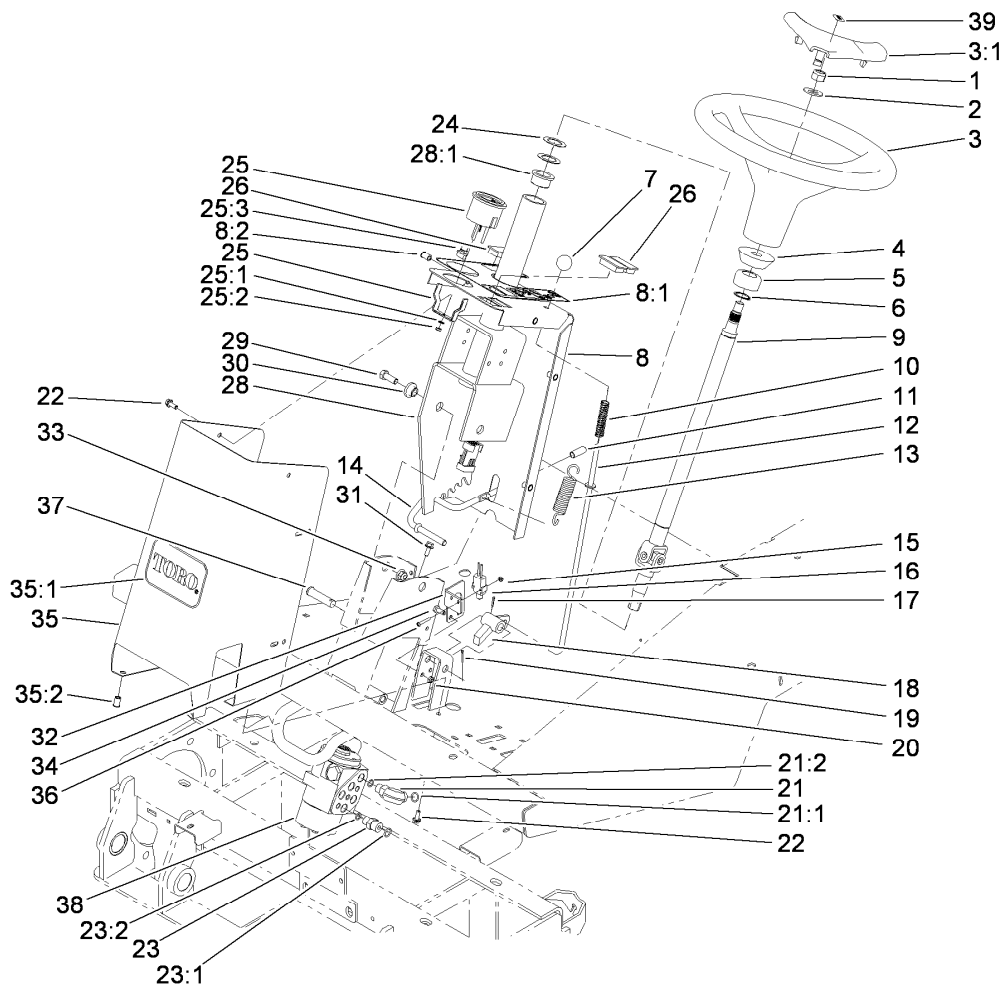


## Premium Seat Assembly No. 117-5676

Ref.	Part Number	Qty.	Description
1	108-8016	1	Backrest Cushion ASM
1:1		3	Screw ●
2	108-8017	1	Seat Cushion ASM
2:1		4	Screw ●
3	108-8018	1	Cover-Armrest
4	108-8019	1	LH Armrest ASM
4:1	82-9650	1	Nut
4:2	107-1198	1	Washer
6	108-8021	1	Cover-Armrest
7	108-8022	2	Cover-Black
8	108-8024	1	Switch Kit
8:1		3	Wire Tie ●
8:2		4	Rivet ●
8:3		1	Switch ●
8:4		2	Spring ●
8:5		2	Bumper ●

Ref.	Part Number	Qty.	Description
8:6		1	Spring-Return ●
8:7		1	Plate-Mounting ●
8:8		1	Magnet ●
9	108-8025	1	Adjustment Rail Set
9:1		1	Rail-Adjustment, RH ●
9:2		1	Rail-Adjustment, LH ●
9:3		1	Stop-Rail ●
9:4		1	Handle ●
9:5		3	Screw ●
9:6		3	Washer ●
9:7		1	Screw ●
10	110-6189	1	Switch Kit
10:1		1	Switch ●
10:2		3	Wire Tie ●
10:3		2	Rivet ●

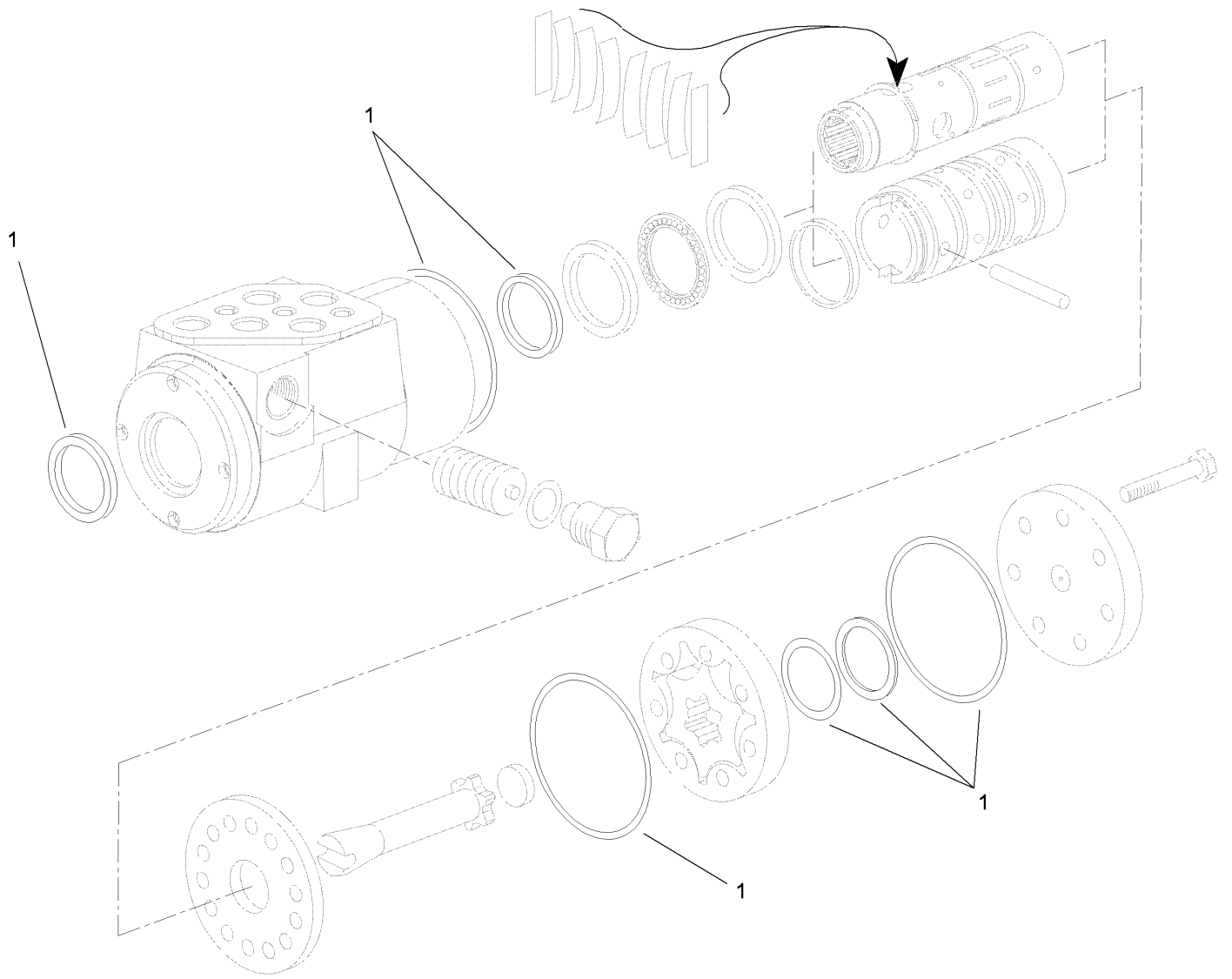
● Not serviced separately



## Steering Tower Assembly

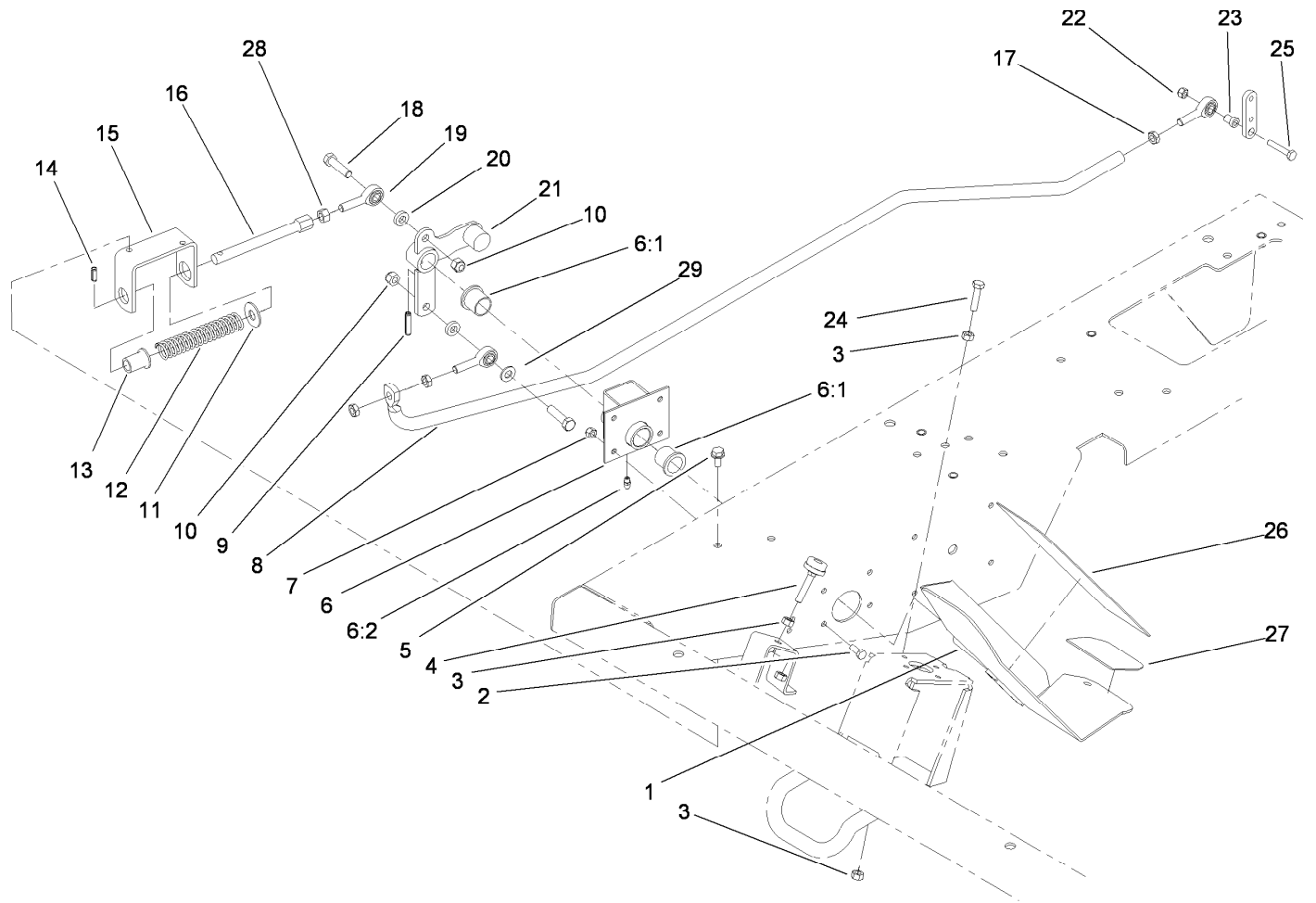
Ref.	Part Number	Qty.	Description	Ref.	Part Number	Qty.	Description
1	108-9342	1	Nut-Hex	22	3234-33	10	Screw-HHF
2	3256-27	1	Washer-Flat	23	340-2	4	Fitting-Straight
3	98-1471	1	Wheel-Steering	23:1	237-22	1	O-Ring
3:1	98-1468	1	Cover-Wheel, Steering	23:2	237-42	1	O-Ring
4	93-5429	1	Collar-Foam	24	9547	4	Washer-Thrust
5	93-5439	1	Seal-Steering	25	98-9339	1	Gauge-Fuel
6	32151-29	2	Ring-Retaining	25:1	3254-1	3	Washer-Lock, Int
7	93-5312	1	Knob	25:2	3217-27	3	Nut-Hex
8	117-5705	1	Tower Cover ASM	25:3	105-9265	1	Bulb And Lamp ASM
8:1	119-0067	1	Decal-Steering Tower	26	99-7420	3	Plug-Hole
8:2	32148-6	6	Nut-Clinch	28	104-8332	1	Steering Column ASM
9	93-5428	1	Shaft-Steering	28:1	256-132	2	Bushing-Flange
10	71-8310	1	Spring-Compression	29	323-6	2	Screw-HH
11	93-5446	1	Cap-Vinyl	30	93-5988	2	Hub-Pivot
12	104-8308	1	Rod ASM	31	33103-016	4	Screw-HHF
13	93-5985	1	Spring-Extension	32	104-0128	1	Bracket-Switch
14	93-5989	1	Rod-Tilt	33	104-8301	2	Nut-HF, NI
15	3296-9	2	Nut-Hex	34	321-3	2	Screw-HH
16	99-3410	1	Switch	35	100-3038	1	Steering Tower ASM
17	3272-5	1	Pin-Cotter	35:1	67-1300	1	Decal
18	93-5276-03	1	Brake Pawl ASM	35:2	32148-6	4	Nut-Clinch
19	3272-6	1	Pin-Cotter	36	3250-35	2	Screw-PPH
20	3296-42	2	Nut-Lock, NI	37	283-5	1	Pin-Clevis
21	340-77	1	Fitting-Elbow, 90 DEG	38	114-5074	1	HYD Steering Valve ASM
21:1	237-22	1	O-Ring	39	98-1459	1	Decal
21:2	237-42	1	O-Ring				





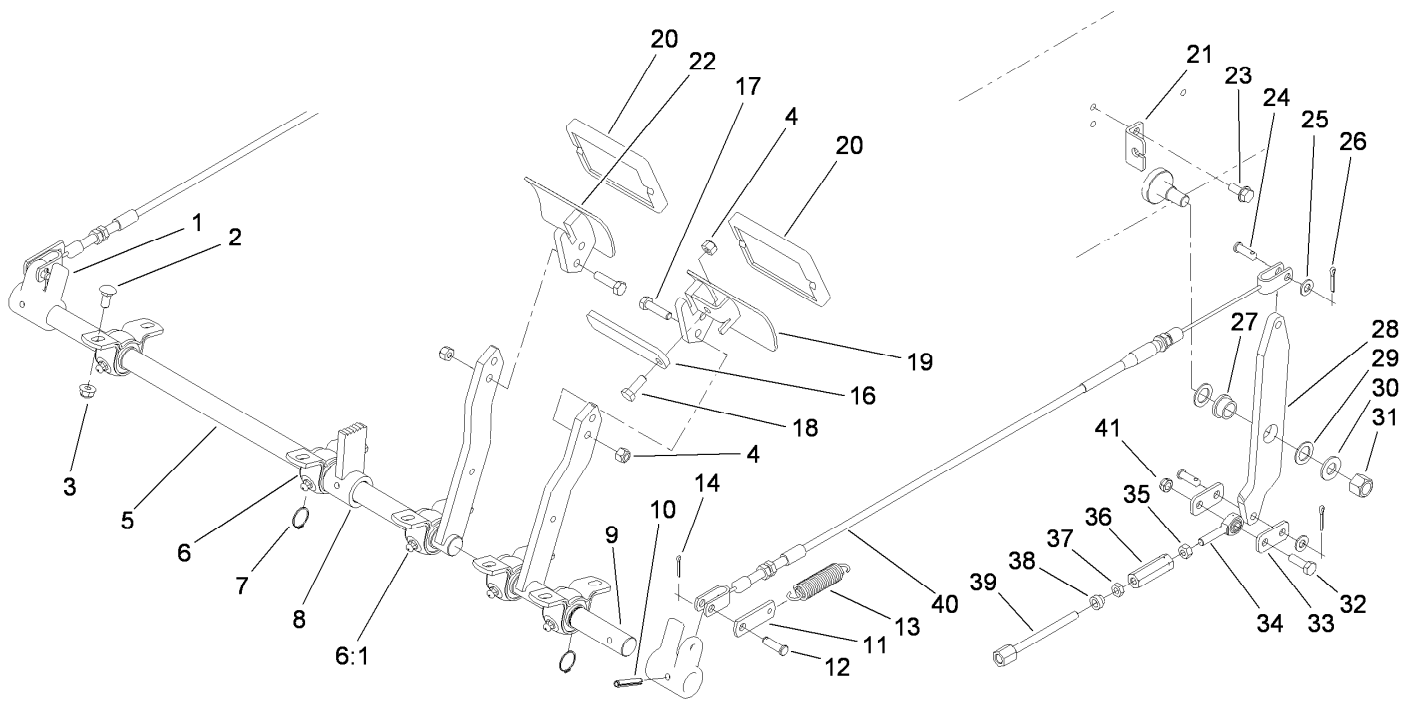
## Steering Valve Assembly No. 114-5074

<i>Ref.</i>	<i>Part Number</i>	<i>Qty.</i>	<i>Description</i>
1	108-1519	1	Seal Kit



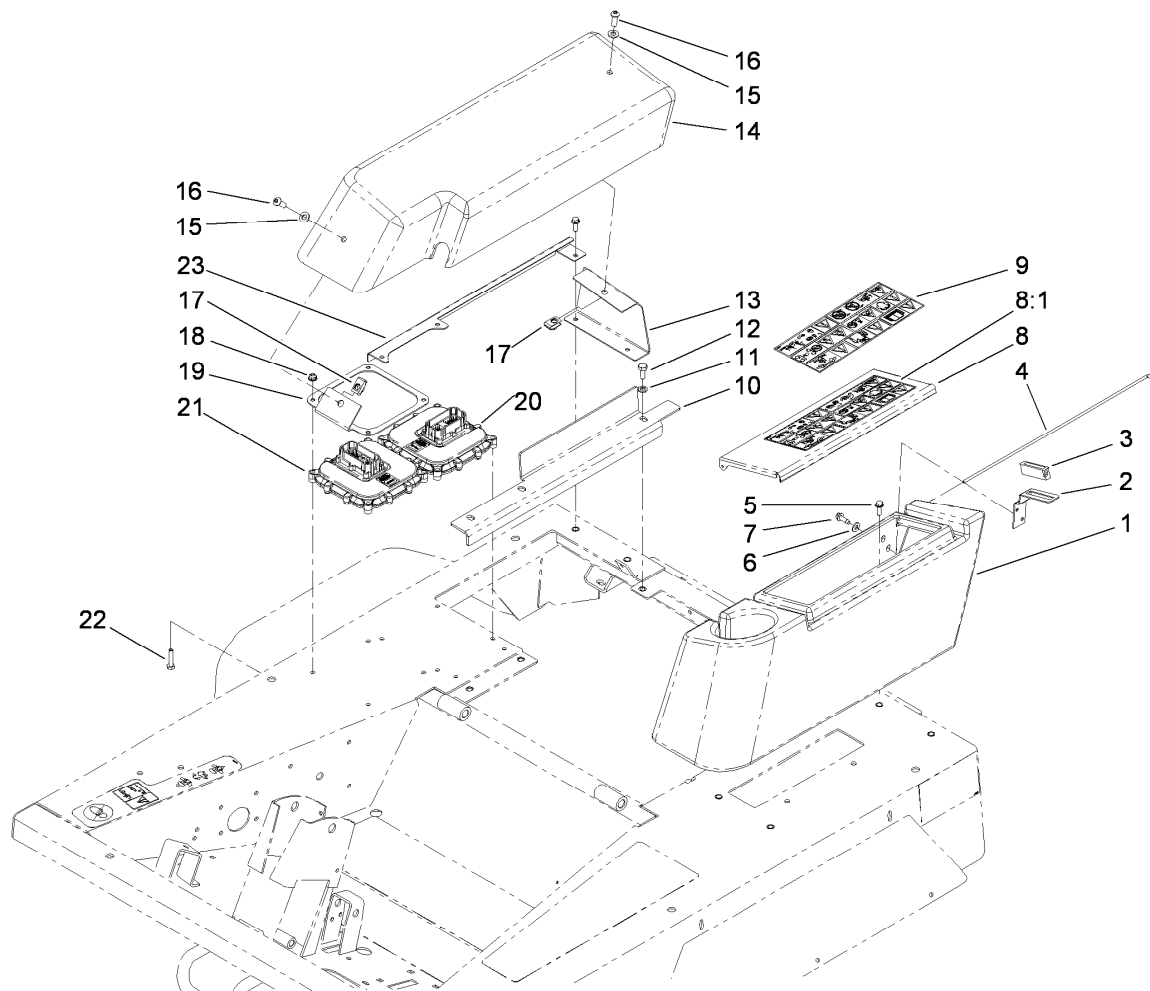
## Traction Pedal and Linkage Assembly

<i>Ref.</i>	<i>Part Number</i>	<i>Qty.</i>	<i>Description</i>	<i>Ref.</i>	<i>Part Number</i>	<i>Qty.</i>	<i>Description</i>
1	93-5133-01	1	Pedal-Traction	15	100-3137-03	1	Bracket-Spring
2	321-4	4	Screw-HH	16	92-7609	1	Shaft-Spring
3	3217-6	4	Nut-Hex	17	3220-3	3	Nut-HJ
4	32141-36	1	Screw-Adjustment, Level	18	323-9	2	Screw-HH
5	32144-14	2	Screw-HWHTF	19	2411-36	3	Bearing-End, Rod
6	104-3565	1	Pedal Bracket ASM	20	80-7730	2	Spacer
6:1	256-10	2	Bushing-Flange	21	114-2715	1	Lever-Traction
6:2	302-5	1	Fitting-Grease	22	3296-42	1	Nut-Lock, NI
7	3296-42	4	Nut-Lock, NI	23	104-7517	1	Spacer
8	117-5668-03	1	Rod-Traction	24	322-6	1	Screw-HH
9	32121-9	1	Pin-Roll, Slotted	25	321-9	1	Screw-HH
10	3296-39	2	Nut-Lock, NI	26	93-5347	1	Abrasive-Pedal
11	3256-5	1	Washer-Flat	27	93-5368	1	Abrasive-Pedal
12	84-9100	1	Spring	28	3219-3	1	Nut-Hex
13	92-7610	1	Retainer-Spring	29	3256-24	1	Washer-Flat
14	32121-11	1	Pin-Roll				



## Brake Pedal and Linkage Assembly

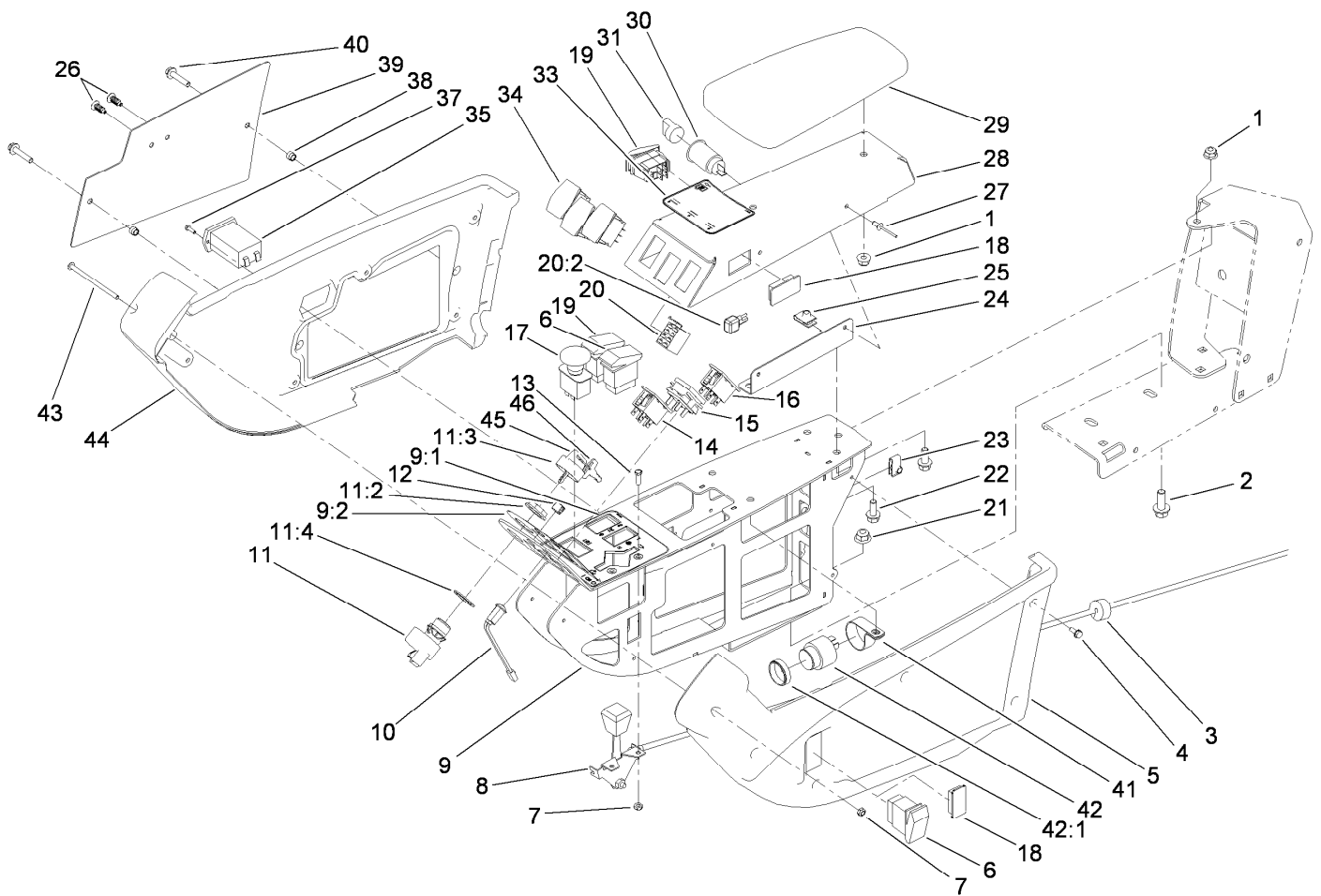
Ref.	Part Number	Qty.	Description	Ref.	Part Number	Qty.	Description
1	114-2714	2	Lever-Brake	22	105-4554-03	1	RH Pedal ASM
2	3230-1	10	Bolt-CARR	23	32144-11	4	Screw-HWH
3	104-8300	10	Nut-HF, NI	24	283-58	4	Pin-Clevis
4	3296-29	5	Nut-Lock, NI	25	3256-23	4	Washer-Plain
5	100-3000-03	1	RH Brake Arm ASM	26	3272-10	4	Pin-Cotter
6	93-4849	5	Bearing-Block, Pillow	27	105-3455	2	Bushing
6:1	302-5	1	Fitting-Grease	28	119-0105-03	2	Lever-Brake
7	32151-83	3	Ring-Snap	29	105-3481	4	Washer-Thrust
8	93-5475-03	1	Brake Latch ASM	30	3256-26	2	Washer-Flat
9	100-2997-03	1	LH Brake Arm ASM	31	3296-23	2	Nut-Lock, NI
10	32121-15	3	Pin-Roll	32	322-5	2	Screw-HH
11	100-5540	2	Strap-Brake	33	119-0110	4	Link-Brake
12	283-61	2	Pin-Yoke	34	2411-53	2	Bearing-Rod End, LH
13	93-5262	2	Spring-Extension	35	3220-20	2	Nut-Jam
14	3272-6	2	Pin-Cotter	36	119-0112	2	Hex-Link
16	93-5568	1	Arm-Lock	37	3220-2	2	Nut-Jam
17	322-6	4	Screw-HH	38	110-2158	2	Spacer-Flanged
18	322-4	1	Screw-HH	39	119-0106	2	Hex-Link
19	105-4553-03	1	LH Pedal ASM	40	119-0113	2	Cable-Brake
20	93-8743	2	Footpad-Turn	41	3296-47	2	Nut-Lock,NI
21	119-0109	2	Bracket-Cable				



## Controller and Tool Box Assembly

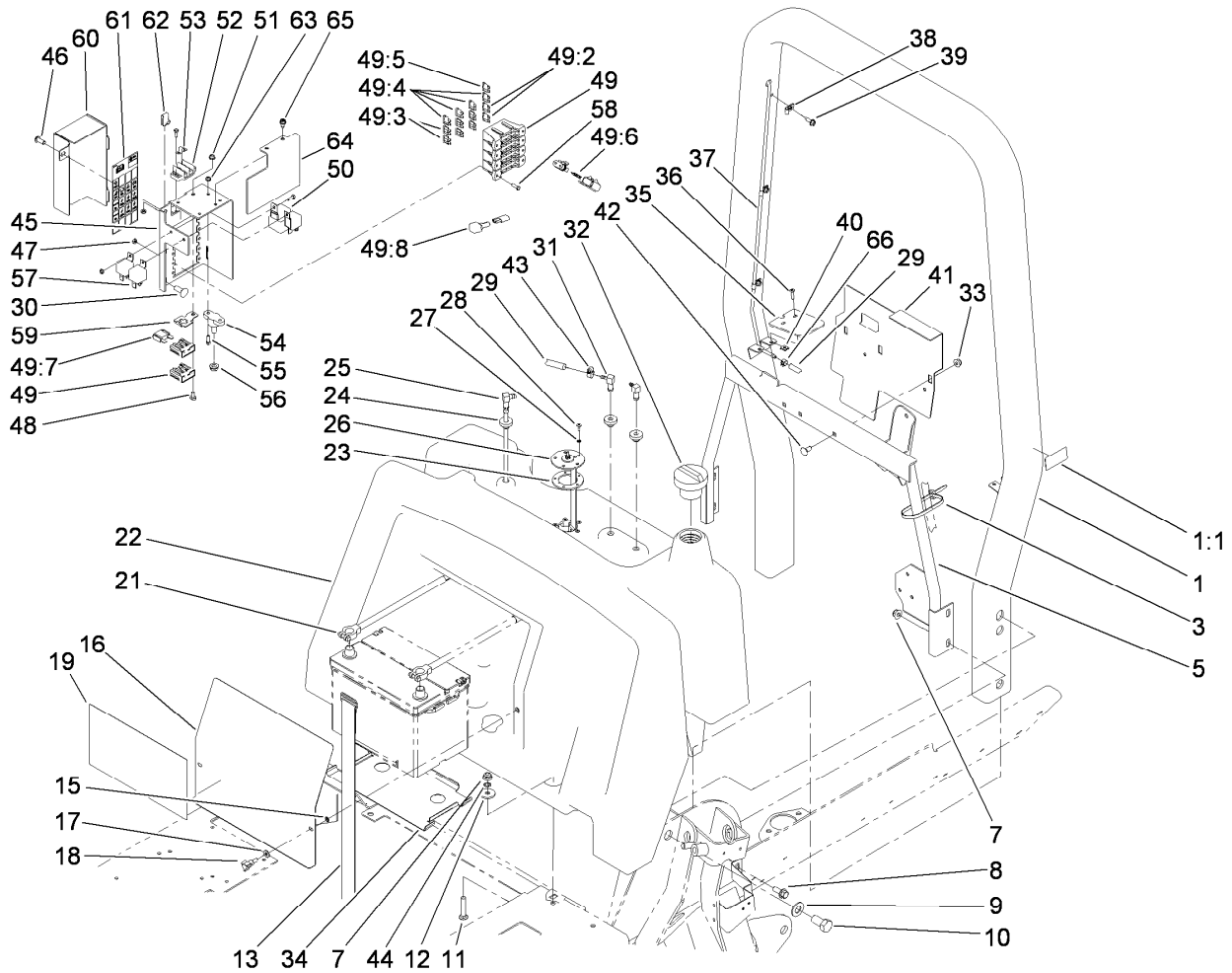
<i>Ref.</i>	<i>Part Number</i>	<i>Qty.</i>	<i>Description</i>
1	104-7515	1	Housing-Box, Tool
2	104-7545	1	Bracket-Latch
3	58-4250	1	Catch-Magnetic
4	104-7548	1	Rod-Hinge
5	3234-4	6	Screw-HHF
6	3256-22	2	Washer-Flat
7	32104-95	2	Screw-HWH
8	104-8321	1	Tool Box Cover ASM
8:1	117-2754	1	Decal-Warning
8:1	117-2766	1	Decal-Warning, CE
9	117-2766	1	Decal-Warning, CE
10	117-5724-01	1	Bracket-Support
11	3253-4	3	Washer-Lock

<i>Ref.</i>	<i>Part Number</i>	<i>Qty.</i>	<i>Description</i>
12	322-3	3	Screw-HH
13	119-0074-03	1	Mount-Cover, Rear
14	119-0071	1	Cover-Controllers
15	3256-70	2	Washer-Flat
16	3274-32	2	Screw-HSBH
17	94-2413	2	Nut-U
18	104-7201	8	Nut-HF, NI
19	119-0073-03	1	Mount-Cover, Front
20	115-1900	1	Controller
21	114-3321	1	Controller-Tec
22	321-8	8	Screw-HH
23	119-0136-03	1	Mount-Cover, Right



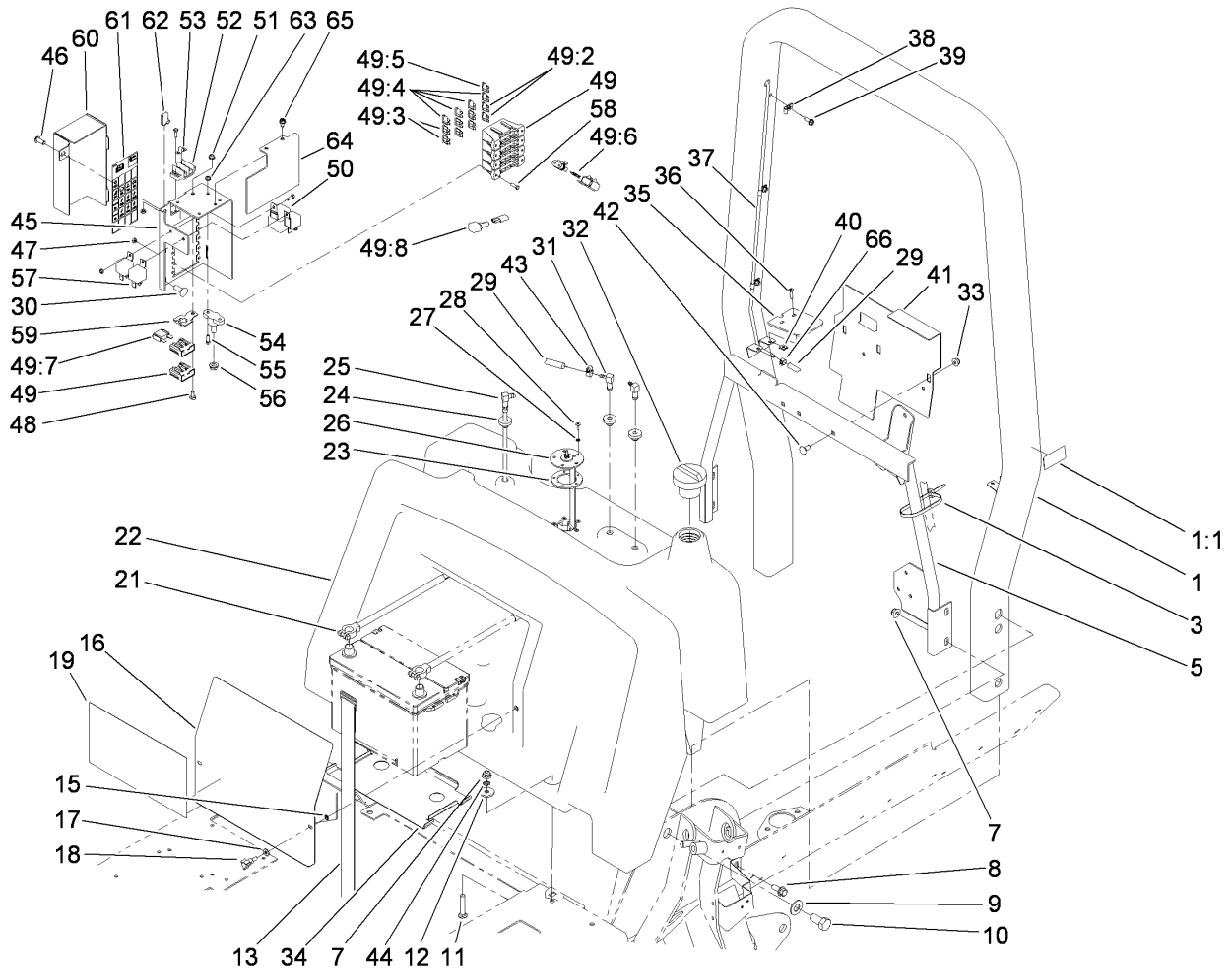
## Control Console Assembly

Ref.	Part Number	Qty.	Description	Ref.	Part Number	Qty.	Description
1	104-8300	3	Nut-HF, NI	22	3234-5	6	Screw-HHF
2	3234-42	2	Screw-HHF	23	107069	2	Clip
3	110-8911	1	Seal-Foam	24	112-7404	1	Angle-Mounting
4	32144-112	10	Screw-HWH	25	94-2413	5	Nut-U
5	108-7604	1	Cover-LH	26	114-4899	2	Rivet-Push
6	95-8999	1	Switch	27	3290-409	2	Rivet
7	3296-12	3	Nut-Lock, NI	28	117-2380-03	1	Panel-Switches, Control Arm
8	119-0084	1	Control-Throttle	29	108-7602	1	Rest-Arm
9	117-5737	1	Control Panel ASM	30	99-7411	1	Point-Power
9:1	117-5723	1	Decal-Console, Lower	31	99-7416	1	Cap
9:2	117-2385	1	Decal-Console, Upper	33	117-2387	1	Decal-Lift
10	95-7652	1	Light-Indicator	34	100-1535	3	Switch-Rocker, (On)-Off-(On)
11	106-5269	1	Ignition Switch ASM	35	75-6820	1	Hourmeter
11:2	108-8660	1	Nut-Mounting	37	32144-18	2	Screw-HWH
11:3	106-5270	1	Ignition Key Set	38	110-0542	2	Spacer-Flange
11:4	108-8659	1	Washer-Backup	39	115-8849-03	1	Plate-Cover
12	2410-64	1	Plug-Button	40	3234-21	2	Screw-HHF
13	3290-134	2	Screw	41	2412-74	1	R-Clamp
14	100-8070	1	Lamp-Warning	42	80-9330	1	Audio Alarm ASM
15	110-0941	1	Gauge-Temperature	42:1	104-5107	1	Nut-Plastic, Knurled
16	100-8071	1	Lamp-Warning	43	3250-22	1	Screw-PPH
17	93-9999	1	Switch-PTO	44	108-7605	1	Cover-RH
18	99-7420	2	Plug-Hole	45	98-9321	1	Ring-Key
19	106-2027	2	Switch-Intermittent	46	99-8970	1	Key-Latch, Hood
20	117-5713	1	Harness-Wire, Platform				
20:2	104-4022	1	Resistor-75 Ohm				
21	104-8301	2	Nut-HF, NI				



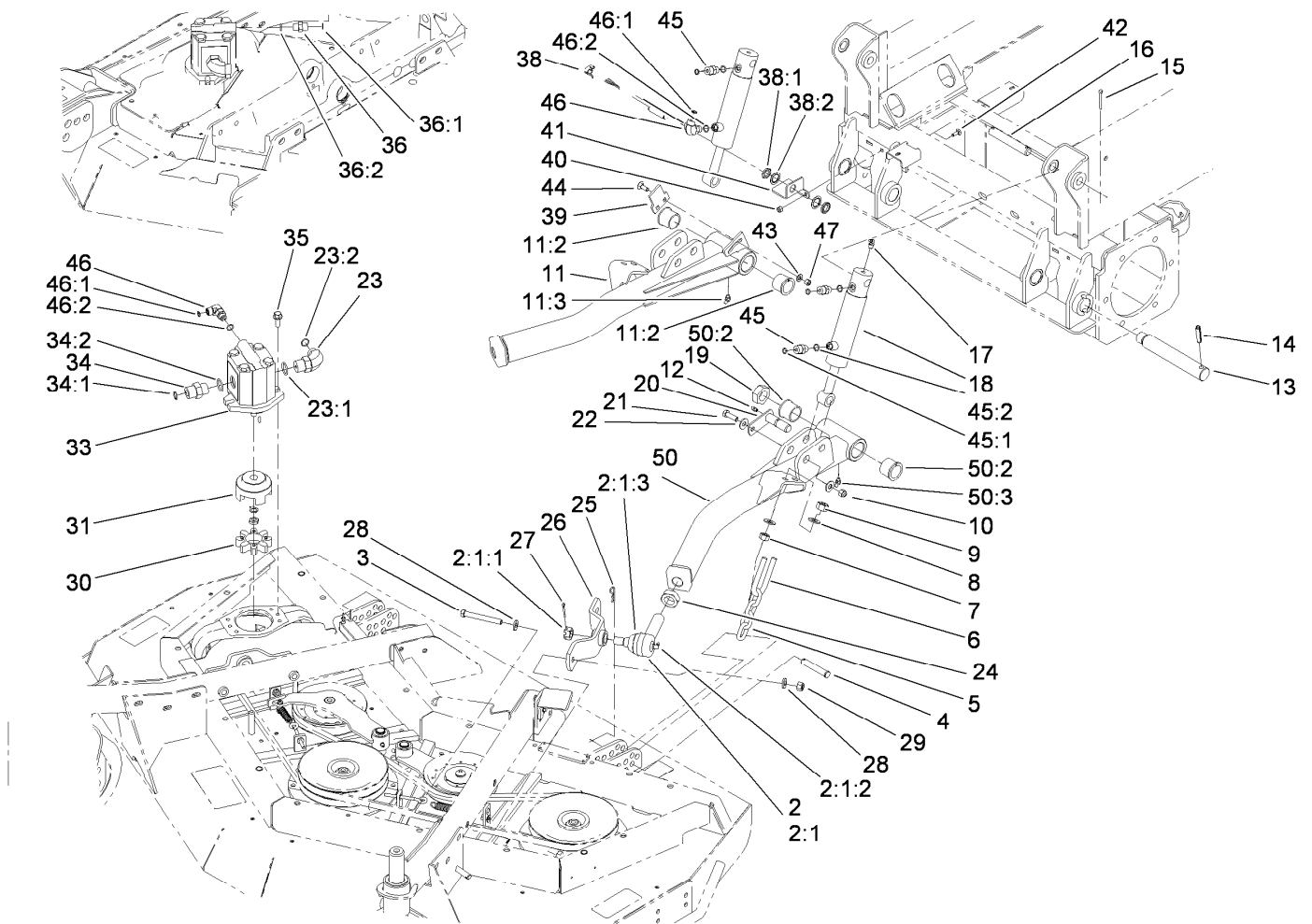
## Fuel Tank, Battery and Roll-Over Protection System Assembly

Ref.	Part Number	Qty.	Description	Ref.	Part Number	Qty.	Description
1	105-2849	1	ROPS ASM	31	104-5228	2	Fitting-Elbow, 90 DEG
1:1	105-2834	1	Decal-ROPS	32	115-5305	1	Cap-Fuel
3	3290-378	1	Tie-Cable	33	104-8300	2	Nut-HF, NI
5	117-5694-03	1	Support-Tank	34	105-0774-03	1	Plate-Battery
7	104-8301	6	Nut-HF, NI	35	104-8319	2	Cover-Tank
8	3234-42	2	Screw-HHF	36	3250-13	4	Screw-PPH
9	3256-27	4	Washer-Flat	37	104-0718	1	Tube-Vent
10	327-3	4	Screw-HH	38	2412-72	3	Clip-Closed, Insulated
11	3231-6	2	Screw-CARR	39	32104-95	3	Screw-HWH
12	63-8410	2	Washer	40	3290-191	4	Nut-Clip,U
13	94-1445	1	Strap-Battery	41	119-0069-03	1	Bracket-Fuel Tank
15	32151-106	2	Ring-Retaining	42	3230-1	2	Bolt-CARR
16	104-0717-03	1	Cover-Battery	43	2412-108	2	Clamp-Worm
17	3256-22	2	Washer-Flat	44	32151-72	4	Ring-Retaining
18	233-70	2	Knob-Star, Three	45	117-5695-03	1	Mount-Power
19	115-8456	1	Decal-Service	46	3274-55	1	Screw-HSBH
21	117-4746	1	Cable-Battery, Positive	47	3296-12	8	Nut-Lock, NI
22	115-3788	1	Tank-Fuel	48	321-2	1	Screw-HH
23	62-7650	1	Gasket	49	117-5715	1	Harness-Wire, Rear
24	46-6560	3	Bushing	49:2	94-6710	2	Fuse-2 Amp
25	114-3836	1	Pipe-Stand	49:3	114241	6	Fuse-Blade, 7.5 Amp
26	104-0700	1	Sender-Fuel	49:4	218-578	5	Fuse-Blade, 10 Amp
27	3253-15	5	Washer-Lock	49:5	109101	1	Fuse-Blade, 20 Amp
28	32122-24	5	Screw-PTH	49:6	99-6124	1	Fuse-40 Amp
29	110-3255	1	Hose-Fuel	49:7	114-3342	1	Fuse-Maxi, 60 Amp
30	3231-22	2	Screw-CARR	49:8	100-4918	1	Diode



## Fuel Tank, Battery and Roll-Over Protection System Assembly (continued)

<i>Ref.</i>	<i>Part Number</i>	<i>Qty.</i>	<i>Description</i>	<i>Ref.</i>	<i>Part Number</i>	<i>Qty.</i>	<i>Description</i>
50	99-7430	1	Relay-Mini	59	114-5502	1	Clip-Fuse
51	3296-56	1	Nut-Lock, NI	60	119-0072-03	1	Cover-Fuses
52	42862	1	Block-Terminal, Ground	61	119-0075	1	Decal-Fuses
53	42863	1	Strip-Jumper	62	94-2413	1	Nut-U
54	110-8822	1	Block-Junction	63	3296-27	2	Nut-Lock, NI
55	3273-26	2	Screw-HSH	64	117-5748-03	1	Shield-Heat
56	3290-357	1	Nut-HSF	65	32104-17	2	Screw-HWH
57	99-7435	3	Relay	66	2412-146	1	Clamp-Hose
58	3290-134	8	Screw				

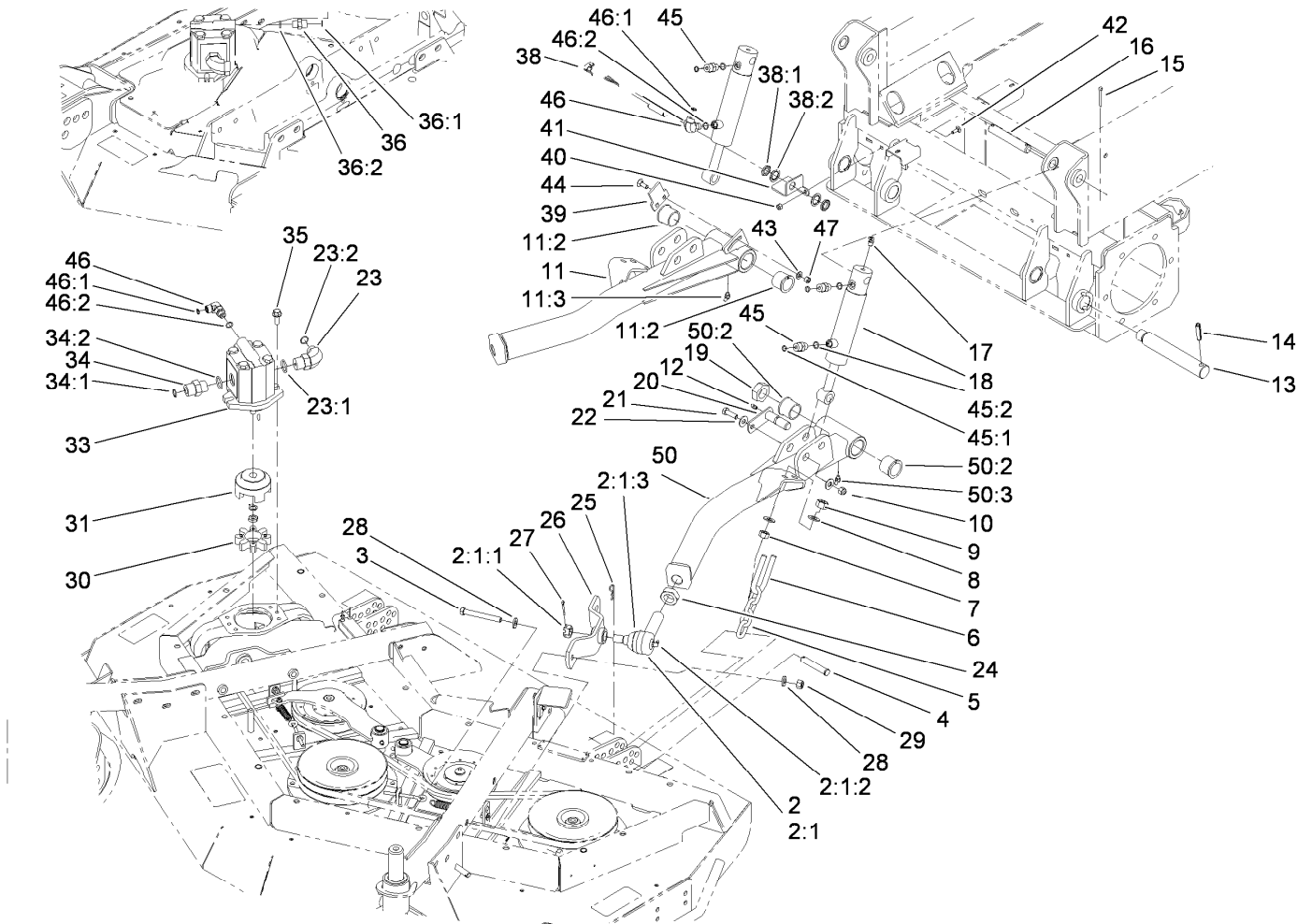


## Front Deck Lift Arm and Cylinder Assembly

Ref.	Part Number	Qty.	Description	Ref.	Part Number	Qty.	Description
2	86-8101-03	2	LH Ball Joint ASM	21	323-7	2	Screw-HH
2:1		1	Joint-Ball, LH ●	22	3256-4	4	Washer-Flat
2:1:1	32136-2	1	Nut-SHH	23	340-139	5	Fitting-Elbow 90
2:1:2	302-40	1	Fitting-Grease, 90 DEG	23:1	237-81	1	O-Ring
2:1:3	114-2874	1	Seal-Ball Joint	23:2	237-65	1	O-Ring
3	324-19	4	Screw-HH	24	21-3001-01	2	Nut-Jam, Push Arm
4	283-55	2	Pin-Clevis	25	3290-467	2	Pin-Hair
5	95-6231	2	Chain-HOC	26	93-4583-01	2	Mount-Joint, Ball
6	104-0108	2	U-Bolt	27	3272-12	2	Pin-Cotter
7	3217-9	4	Nut-HH	28	87-7480	8	Washer
8	3256-26	8	Washer-Flat	29	3296-48	4	Nut-Hex
9	3296-25	4	Nut-Lock, NI	30	104-3542	3	Spider
10	3296-39	2	Nut-Lock, NI	31	104-3541	3	Hub-Spider
11	100-3031	1	RH Lift Arm ASM	33	99-5489	3	Gear Motor ASM
11:2	104-0015	2	Bushing-Flange	34	340-8	1	Fitting-Straight
11:3	302-11	1	Fitting-Lube, 45 DEG	34:1	237-65	1	O-Ring
12	302-5	2	Fitting-Grease	34:2	237-81	1	O-Ring
13	100-3017	2	*obs Pin-Lift Arm	35	3234-42	6	Screw-HHF
14	32121-110	2	Pin-Roll, Slotted	36	340-2	2	Fitting-Straight
15	3272-23	4	Pin-Cotter	36:1	237-22	1	O-Ring
16	105-7456	2	Pin-Pivot	36:2	237-42	1	O-Ring
17	302-33	2	Fitting-Grease	38	115-0282	1	Proximity Sensor ASM
18	107-4304	2	HYD Cylinder ASM	38:1	117-3207	2	Nut-Hex
19	3296-49	2	Nut-Lock, NI	38:2	117-3208	2	Washer-Lock, Internal Tooth
20	100-3020	2	Pin	39	119-0079	1	Plate-Sensing, Front

● Not serviced separately

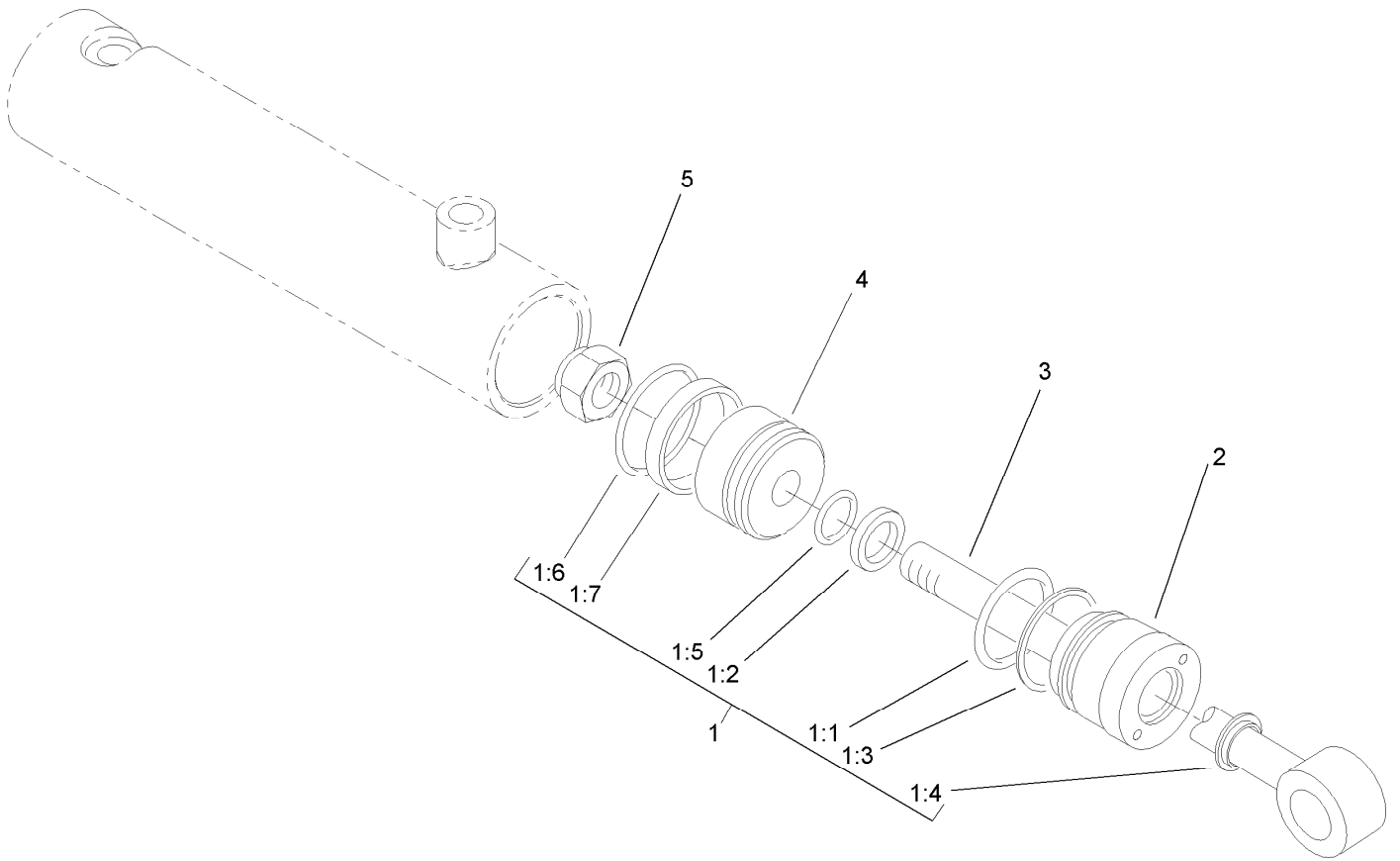




## Front Deck Lift Arm and Cylinder Assembly (continued)

Ref.	Part Number	Qty.	Description	Ref.	Part Number	Qty.	Description
40	3296-42	2	Nut-Lock, NI	46	340-77	2	Fitting-Elbow, 90 DEG
41	119-0078	1	Mount-Switch, Front	46:1	237-22	1	O-Ring
42	3229-1	2	Screw-CARR	46:2	237-42	1	O-Ring
43	3256-23	2	Washer-Plain	47	3296-29	2	Nut-Lock, NI
44	3230-16	2	Screw-CARR	50	100-3032	1	LH Lift Arm ASM
45	340-2	3	Fitting-Straight	50:2	104-0015	2	Bushing-Flange
45:1	237-22	1	O-Ring	50:3	302-11	1	Fitting-Lube, 45 DEG
45:2	237-42	1	O-Ring				

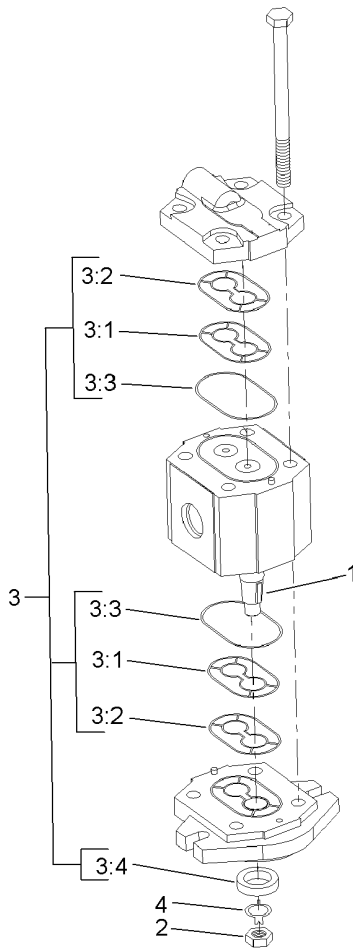
● Not serviced separately



## Hydraulic Cylinder Assembly No. 107-4304

<i>Ref.</i>	<i>Part Number</i>	<i>Qty.</i>	<i>Description</i>
1	107-0248	1	Seal Kit
1:1		1	Ring-Retaining ●
1:2		1	Seal ●
1:3		1	Back-Up ●
1:4		1	Wiper ●
1:5		1	Ring-Retaining ●
1:6		1	Seal W/Loader ●
1:7		1	Wear Ring ●
2		1	Head ●
3		1	Rod ASM ●
4		1	Piston ●
5		1	Locknut ●

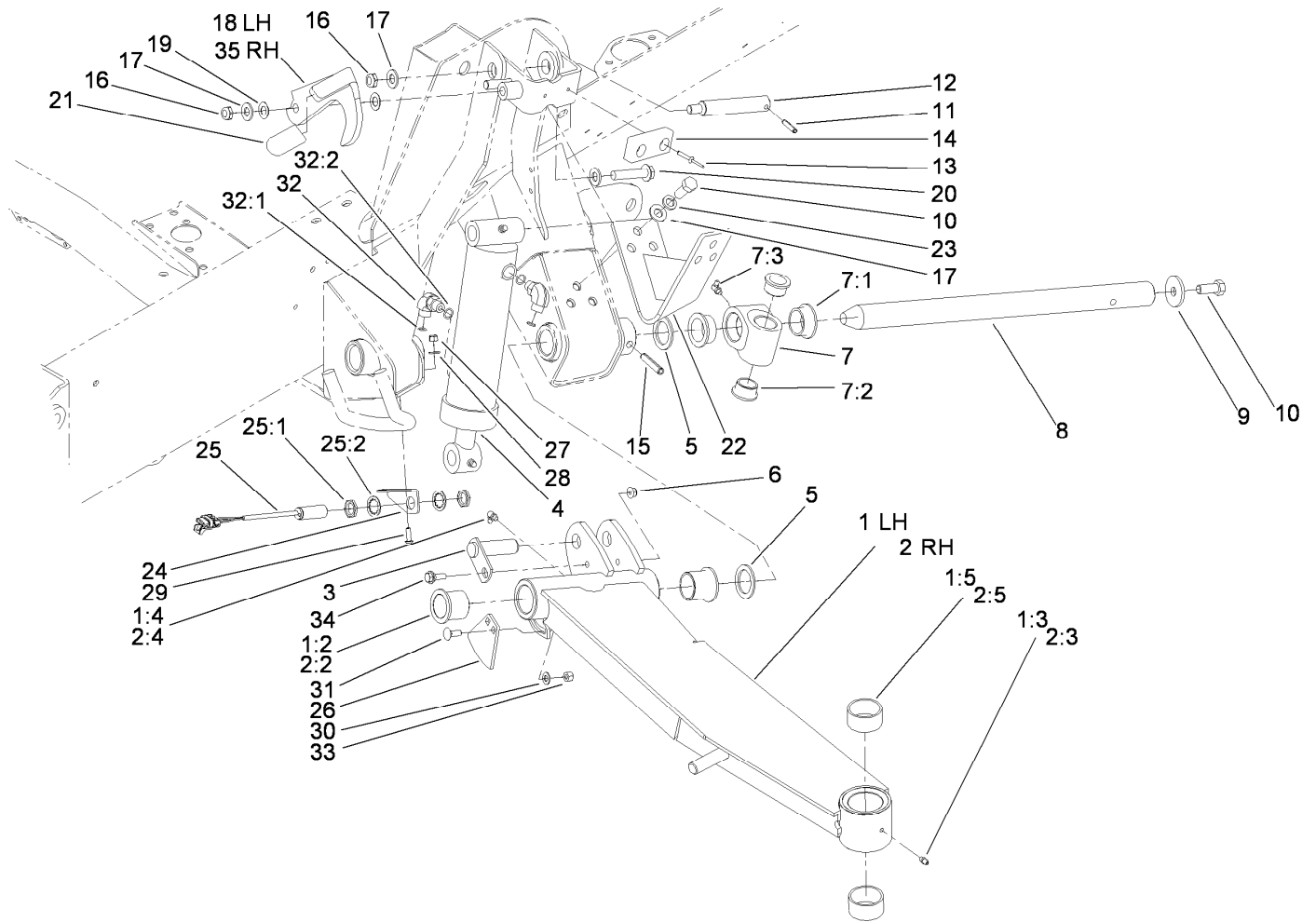
● Not serviced separately



## Gear Motor Assembly No. 99-5489

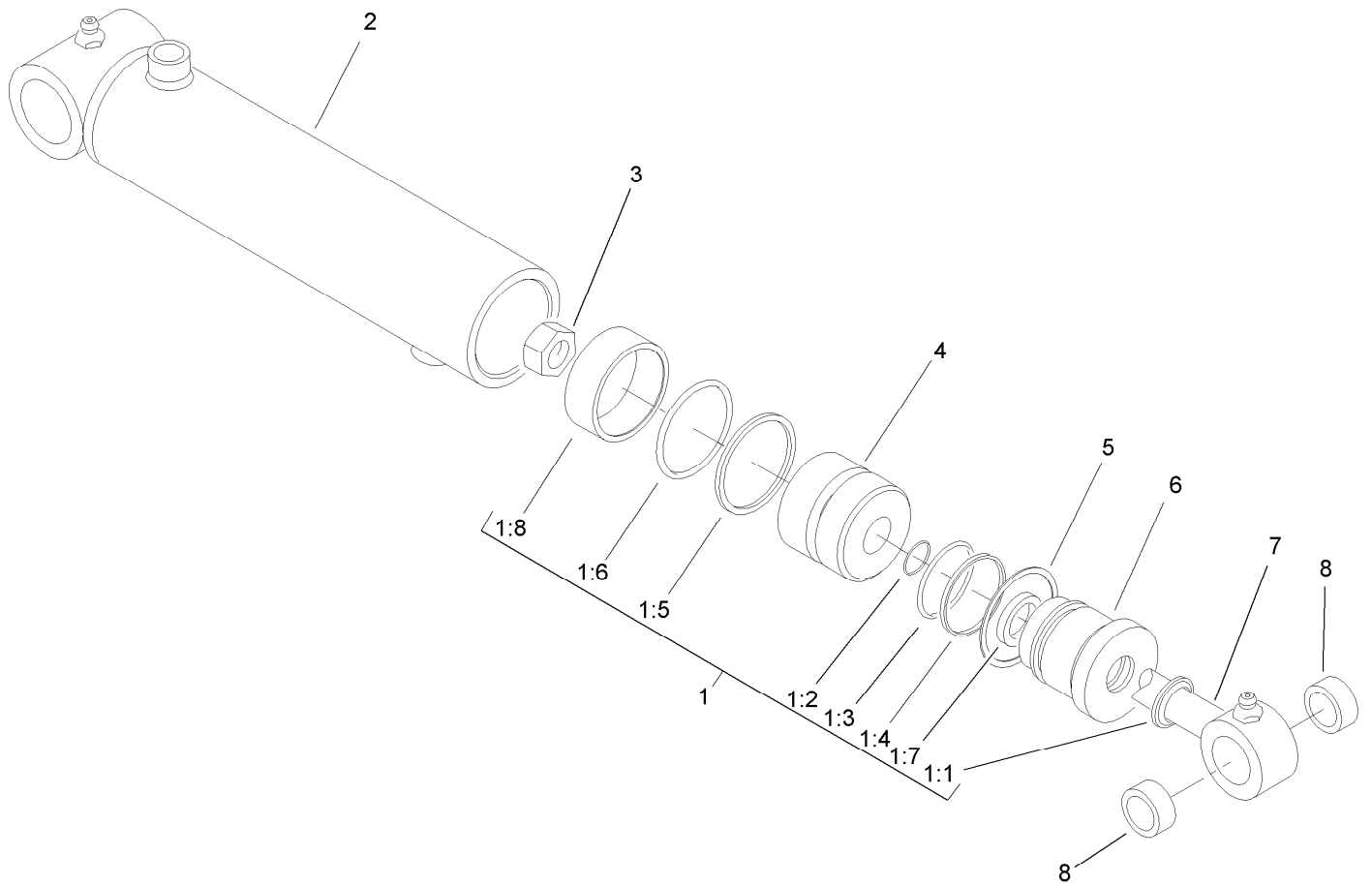
<i>Ref.</i>	<i>Part Number</i>	<i>Qty.</i>	<i>Description</i>
1	3257-3	1	Key-Woodruff
2	110-8815	1	Nut-Hex
3	104-4284	1	Seal Kit
3:1		2	Anti-Ext Ring ●
3:2		2	Seal ●
3:3		2	Ring-Retaining ●
3:4		1	Seal-Lip, Shaft ●
4	104-4283	1	Washer-Tab

● Not serviced separately



## Side Deck Lift Arm, Cylinder and Latch Assembly

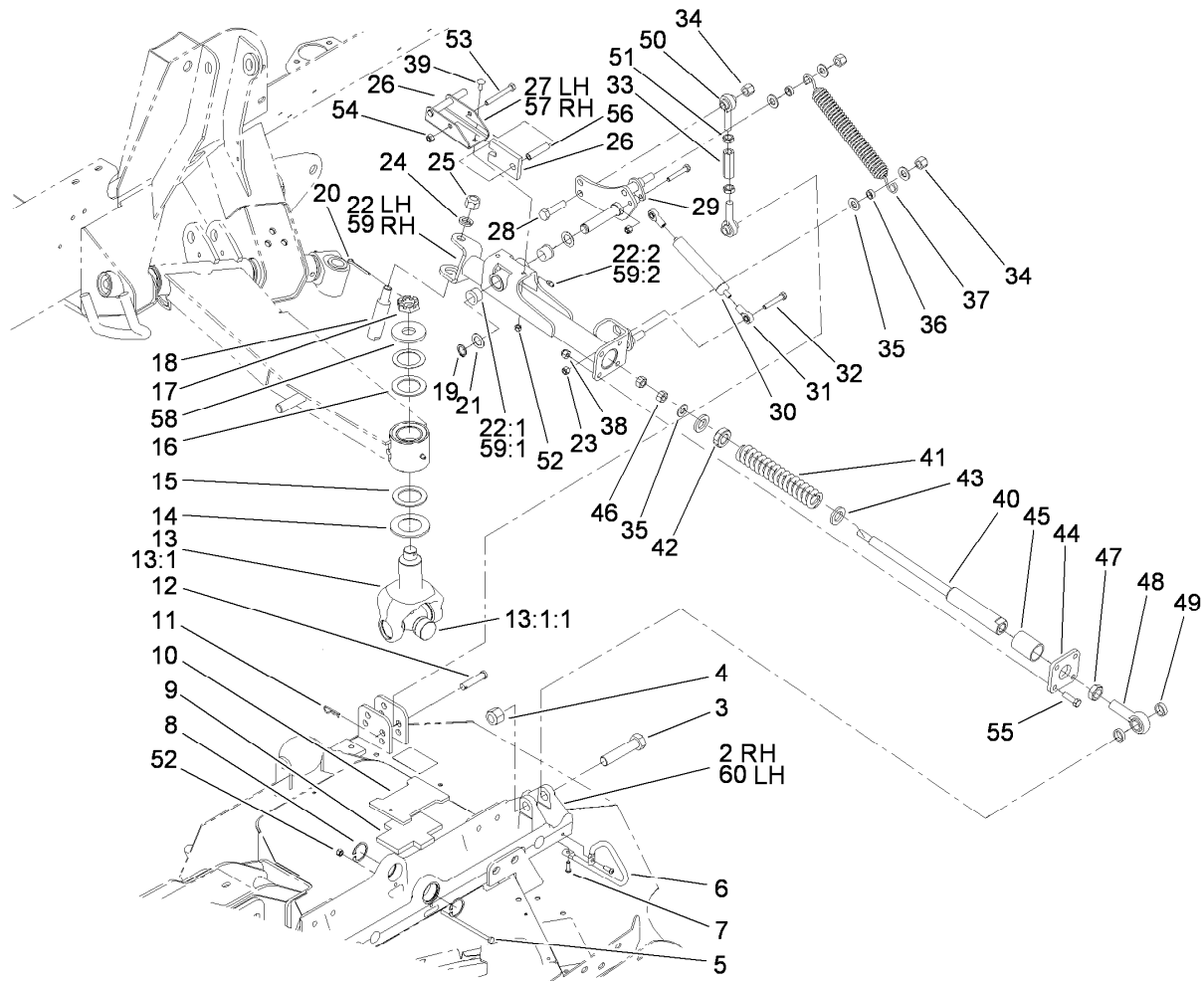
Ref.	Part Number	Qty.	Description	Ref.	Part Number	Qty.	Description
1	119-0089	1	LH Lift Arm ASM	15	32121-110	2	Pin-Roll, Slotted
1:2	69-6470	2	Bushing-Caster	16	3296-45	4	Nut-Hex
1:3	302-5	1	Fitting-Grease	17	3256-26	10	Washer-Flat
1:4	302-60	1	Fitting-Grease	18	104-3557-03	1	Latch-LH
1:5	114-5596	2	Bushing-Straight	19	104-3577	4	Washer
2	119-0087	1	RH Lift Arm ASM	20	3234-46	2	Screw-HHF
2:2	69-6470	2	Bushing-Caster	21	48-7081	2	Grip-Plastic
2:3	302-5	1	Fitting-Grease	22	104-8330-03	2	Bracket-Cam
2:4	302-60	1	Fitting-Grease	23	3253-7	6	Washer-Lock
2:5	114-5596	2	Bushing-Straight	24	119-0076	2	Mount-Switch, Wing
3	100-5674	2	Pin	25	115-5300	2	Proximity Switch ASM
4	107-4303	2	HYD Cylinder ASM	25:1	117-3207	2	Nut-Hex
5	256-304	4	Washer-Thrust	25:2	117-3208	2	Washer-Lock, Internal Tooth
6	104-8300	2	Nut-HF, NI	26	119-0077	2	Plate-Sensing, Wing
7	115-5468	2	Pivot Hub ASM	27	3296-42	4	Nut-Lock, NI
7:1	115-5469	2	Bushing-Flange	28	3256-22	4	Washer-Flat
7:2	114-5680	2	Bushing-Flange	29	3274-69	4	Screw-HSBH
7:3	302-60	1	Fitting-Grease	30	3256-23	4	Washer-Plain
8	100-5582	2	Shaft-Pivot, Lift Arm	31	3230-16	4	Screw-CARR
9	106-2008	2	Washer-Thrust	32	340-77	4	Fitting-Elbow, 90 DEG
10	325-5	8	Screw-HH	32:1	237-22	1	O-Ring
11	32121-9	2	Pin-Roll, Slotted	32:2	237-42	1	O-Ring
12	104-3537	2	Pin-Cylinder	33	3296-29	4	Nut-Lock, NI
13	3269-11	4	Rivet-Pop	34	27-0410	2	Screw-Shoulder
14	86-5350	2	Bumper-Rubber	35	104-3556-03	1	Latch-RH



## Hydraulic Cylinder Assembly No. 107-4303

Ref.	Part Number	Qty.	Description
1	107-0249	1	Seal Kit
1:1		1	Wiper ●
1:2		1	Ring-Retaining ●
1:3		1	Ring-Retaining ●
1:4		1	Back-Up ●
1:5		1	Seal ●
1:6		1	Ring-Retaining ●
1:7		1	Seal ●
1:8		1	Wear Ring ●
2		1	Barrel ASM ●
3		1	Locknut ●
4		1	Piston ●
5		1	Ring, Retaining ●
6		1	Head ●
7		1	Rod ASM ●
8	104-4281	2	Bushing

● Not serviced separately

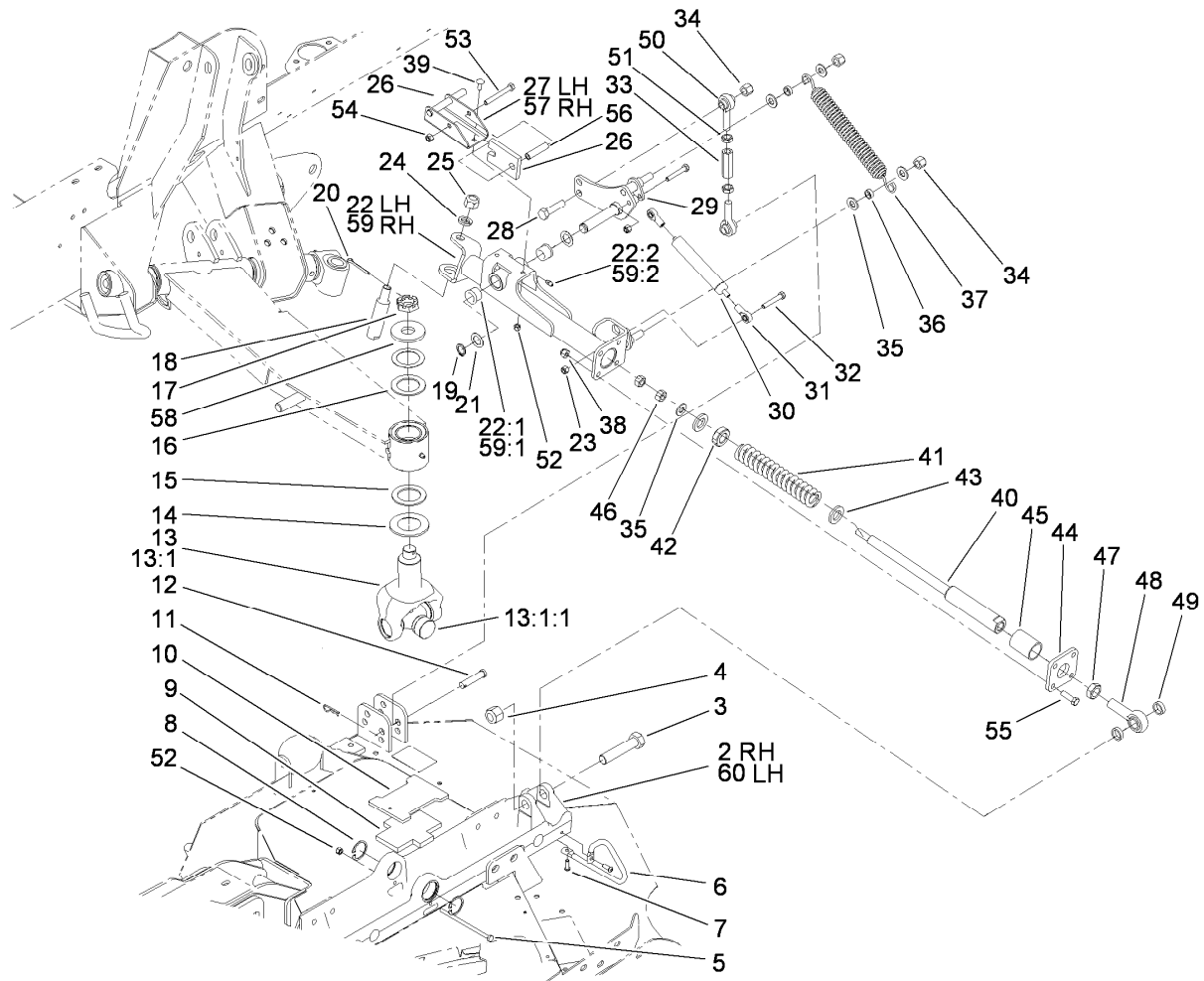


## Side Deck Lift Arm and Damper Assembly

Ref.	Part Number	Qty.	Description	Ref.	Part Number	Qty.	Description
2	107-4349-03	1	Mount-Deck, LH	23	3296-29	4	Nut-Lock, NI
3	328-5	2	Screw-HH	24	3253-8	2	Washer-Lock
4	3296-51	2	Nut-Lock, NI	25	3296-53	2	Nut-Lock, NI
5	321-47	2	Screw-HH	26	119-0118	10	Pad-Bumper
6	108-1529	2	Support-Hose	27	119-0117-03	1	Mount-Bumper, LH
7	3274-69	4	Screw-HSBH	28	325-8	2	Screw-HH
8	32120-42	4	Ring-Retaining	29	108-1475-03	1	Bell Crank-RH
9	104-8348	2	Plate-Rubber	29	108-1476-03	1	Bell Crank-LH
10	108-1528-03	2	Plate	30	105-3249	2	Damper
11	3290-467	2	Pin-Hair	31	104-8331	4	End-Rod, Spherical
12	92-2739	2	Pin-Clevis	32	322-10	4	Screw-HH
13	114-5640-03	2	Joint Yoke ASM	33	105-2809	2	Tube-Link
13:1		1	Yoke-Joint ■	34	3296-23	6	Nut-Lock, NI
13:1:1	104-4299	1	Cross And Bearing Kit	35	3256-26	10	Washer-Flat
14	104-0720	2	Spacer	36	104-7521	4	Bushing
15	104-0721	4	Washer-Thrust	37	104-7520	2	Spring-Damper
16	114-5641	2	Washer-Thrust	38	3296-39	8	Nut-Lock, NI
17	99-3139	2	Nut-Slotted	39	3229-25	4	Screw-CARR
18	104-2281	2	Shaft-Pivot	40	105-4548	2	Shaft-Spring
19	32120-93	2	Ring-Retaining	41	100-8138	2	Spring-Compression
20	3272-25	2	Pin-Cotter	42	105-4552	2	Bearing-Plastic
21	3-6498	4	Washer-Thrust	43	105-4551	4	Washer-Flat
22	108-1473	1	LH Rear Arm ASM	44	105-2807-03	2	Plate
22:1	256-113	2	Bushing-Flange	45	105-4550	2	Bushing-Straight
22:2	302-5	1	Fitting-Grease	46	3217-9	4	Nut-HH

● Not illustrated

■ Not serviced separately

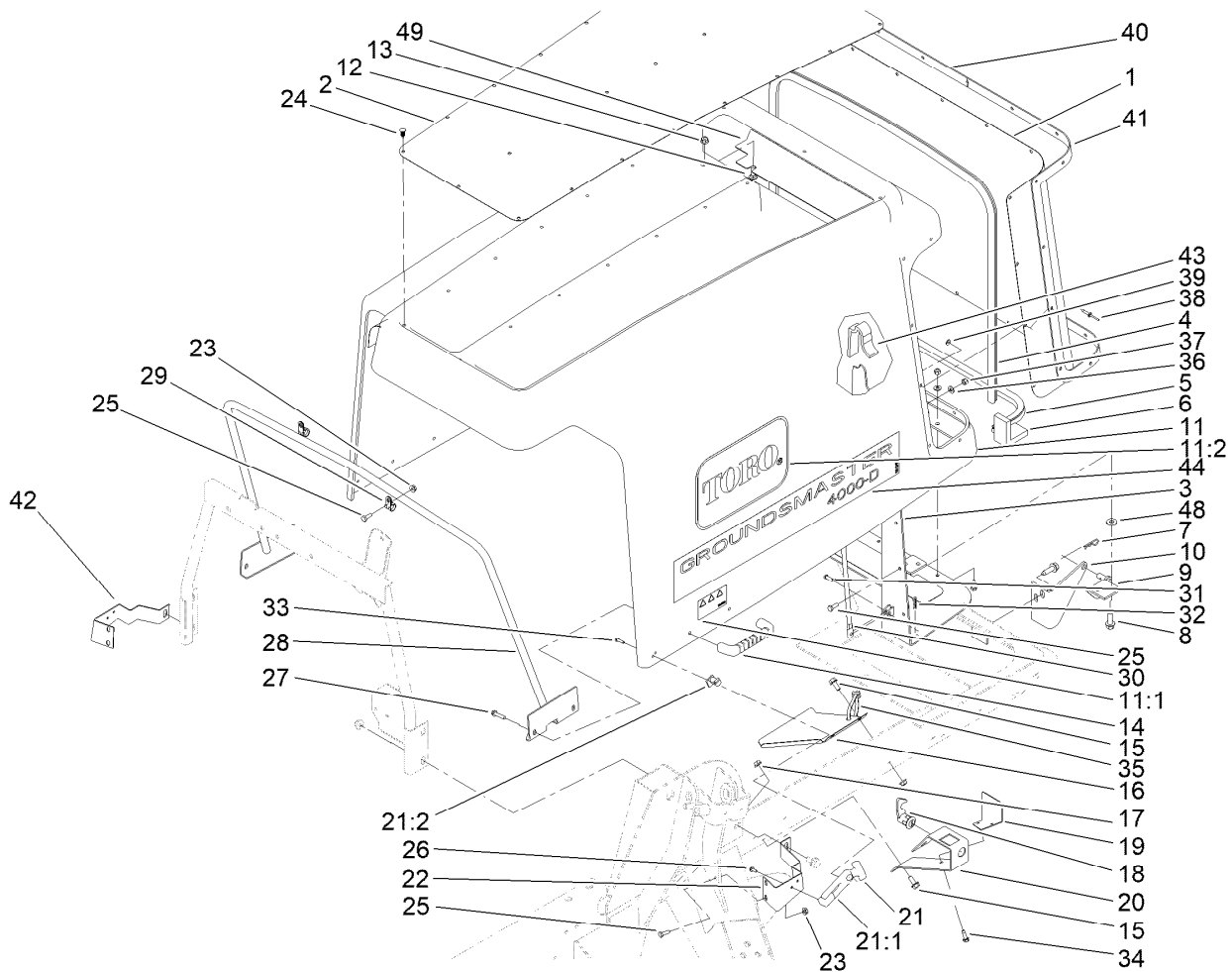


## Side Deck Lift Arm and Damper Assembly (continued)

Ref.	Part Number	Qty.	Description	Ref.	Part Number	Qty.	Description
47	3220-7	2	Nut-Jam	55	323-7	8	Screw-HH
48	105-2806	2	End-Rod	56	85-8960	2	Spacer
49	105-0756	4	Spacer	57	119-0116-03	1	Mount-Bumper, RH
50	105-2808	4	End-Rod	58	104-0719	2	Washer-Hardened
51	3220-5	4	Nut-Jam	59	108-1471	1	RH Rear Arm ASM
52	3296-42	6	Nut-Lock, NI	59:1	256-113	2	Bushing-Flange
53	322-13	2	Screw-HH	59:2	302-5	1	Fitting-Grease
54	3296-29	2	Nut-Lock, NI	60	107-4348-03	1	Mount-Deck, RH ●

● Not illustrated

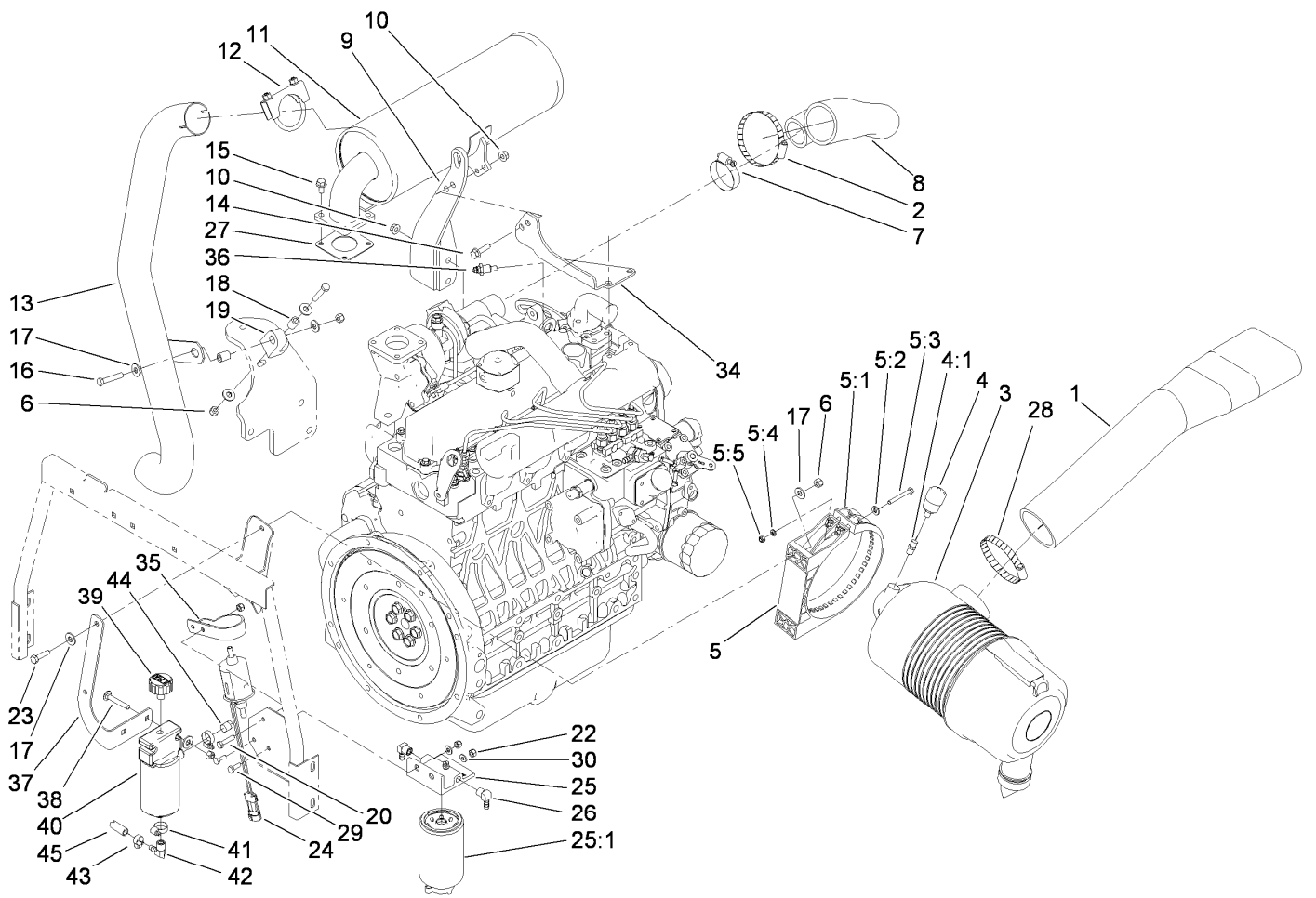
■ Not serviced separately



## Hood and Screen Assembly

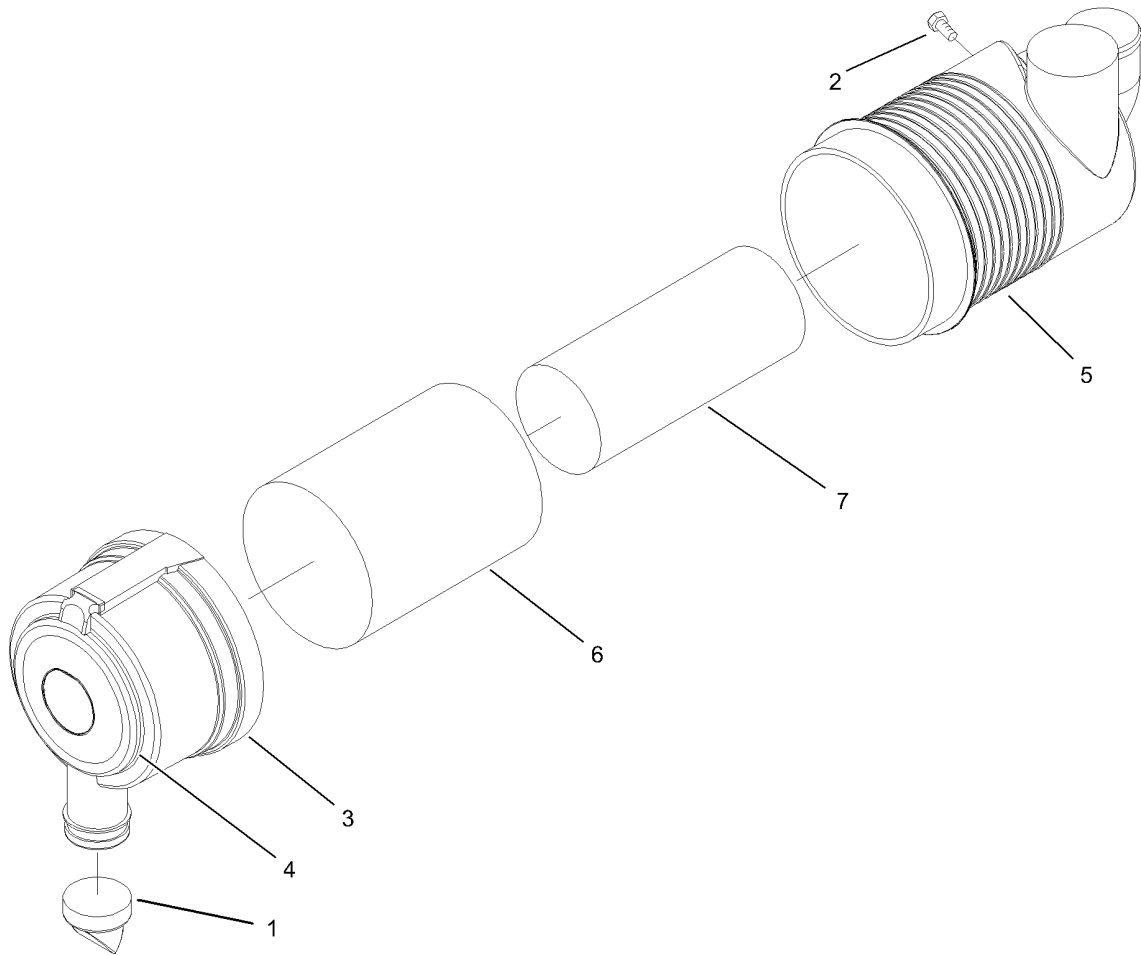
Ref.	Part Number	Qty.	Description	Ref.	Part Number	Qty.	Description
1	114-3844-03	1	Screen-Rear	22	104-2253-03	1	Bracket-Latch, LH
2	114-3845-03	1	Screen-Top	23	32128-33	6	Nut-HF
3	114-3824-03	1	Screen ASM	24	114-4899	24	Rivet-Push
4	114-3823	1	Seal-Bulb	25	321-4	26	Screw-HH
5	104-3590	1	Seal-Bulb	26	32144-1	4	Screw-Taptime
6	104-3580	2	Seal-Corner, Screen	27	46-8092	4	Screw-Plastite
7	3290-467	2	Pin-Hair	28	104-3505-03	1	Support-Hood
8	32144-109	8	Screw-Thd	29	2412-134	2	Clamp-R
9	104-3589	2	Pivot-Screen	30	104-8313	2	Rod-Hood
10	104-3588-03	2	Pivot-Screen	31	283-67	2	Pin-Clevis
11	119-0056	1	Hood ASM	32	3290-307	2	Pin-Cotter
11:1	106-6754	1	Decal-Danger	33	32104-4	2	Screw
11:2	66-1210	2	Decal	34	32104-95	2	Screw-HWH
12	3230-2	2	Bolt-CARR	35	3290-378	1	Tie-Cable
13	104-8300	2	Nut-HF, NI	36	3256-22	20	Washer-Flat
14	65-5100	2	Handle-Door	37	3296-42	20	Nut-Lock, NI
15	3234-5	4	Screw-HHF	38	3269-28	22	Rivet-Pop
16	104-3560-03	1	Deflector-Filter, Oil	39	3269-26	22	Washer-Plain
17	32128-20	4	Nut-HF	40	115-3759-03	1	Mount-Screen, RH
18	98-5398	1	Latch	41	115-3758-03	1	Mount-Screen, LH
19	105-4531	1	Cover-Latch	42	104-2255-03	1	Bracket-Latch, RH
20	104-3591-03	1	Bracket-Latch, Hood	43	115-8479	2	Seal-Foam
21	94-5626	2	Flexible Draw Latch ASM	44	106-2045	2	Decal-Hood
21:1	103-4080	1	Latch-Rubber	48	43-0940	4	Spacer
21:2	103-4081	1	Latch-Keeper	49	119-0097-03	1	Shield-Hood





## Air Cleaner and Muffler Assembly

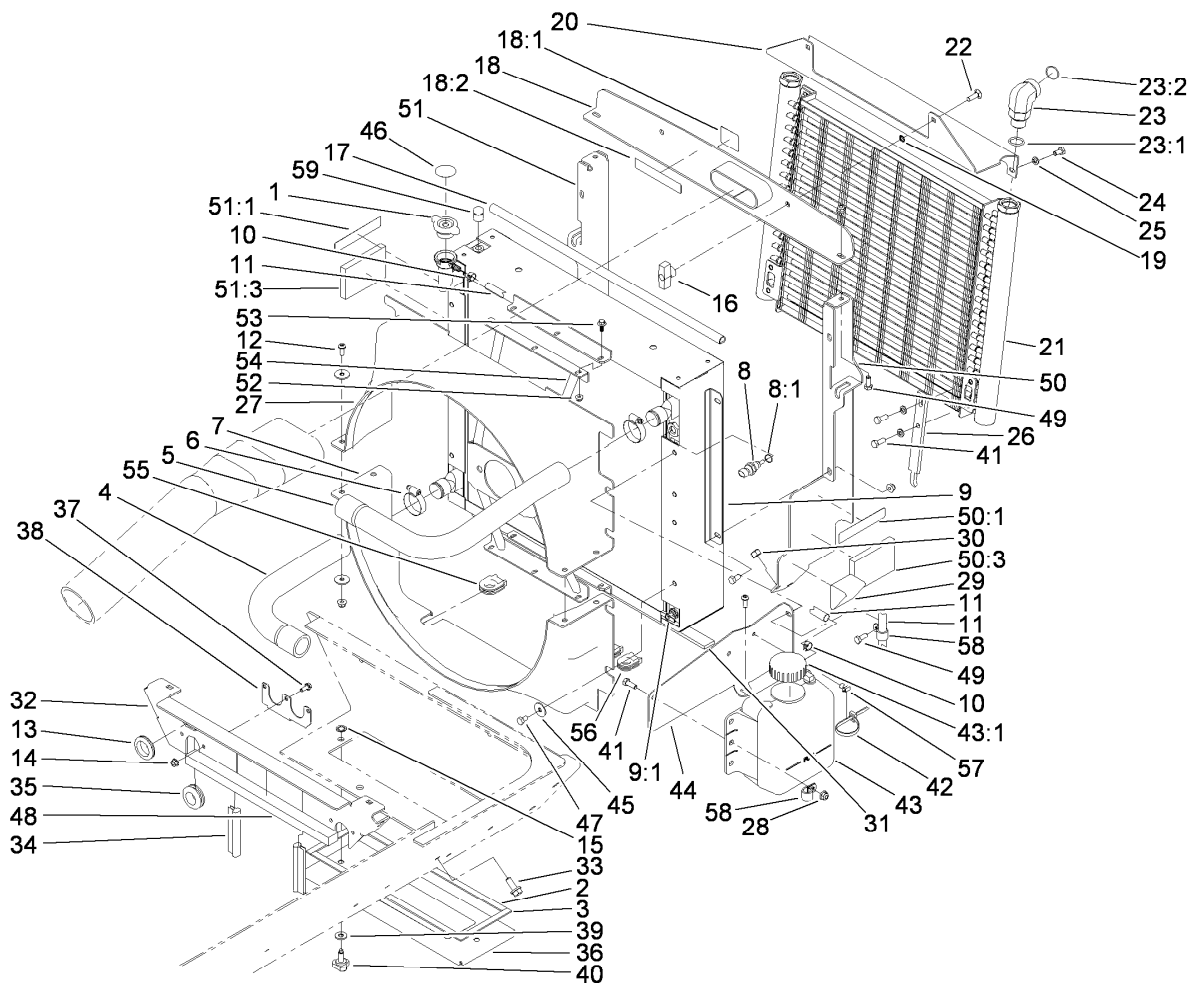
Ref.	Part Number	Qty.	Description	Ref.	Part Number	Qty.	Description
1	114-3846	1	Hose-Air Cleaner	19	95-5622	1	Hanger-Rubber
2	2412-110	1	Clamp-Band/Screw	20	321-8	1	Screw-HH
3	99-5410	1	Air Cleaner ASM	22	3296-42	3	Nut-Lock, NI
4	104-3563	1	Indicator	23	322-6	2	Screw-HH
4:1	94-1416	1	Adapter-Indicator	24	110-8806	1	Pump-Fuel
5	99-5414	1	Strap-Cleaner, Air	25	110-9044	1	Separator-Filter
5:1	108-1512	2	Spring	25:1	110-9049	1	Filter-Spin On, Fuel/Water
5:2	3256-22	2	Washer-Flat	26	353-781	2	Fitting-HYD, 90
5:3	33113-050	2	Screw-HH	27	100-9333	1	Gasket-Muffler
5:4	33093-00	2	Washer-Flat	28	2412-125	1	Clamp-Hose
5:5	33023-00	2	Nut-Lock	29	321-4	2	Screw-HH
6	3296-29	6	Nut-Lock, NI	30	3256-22	2	Washer-Flat
7	2412-92	1	Clamp-Hose	34	112-9113-03	1	Mount-Exhaust
8	117-2396	1	Hose-Air Cleaner	35	110-8817	1	Bracket-Pump, Fuel
9	114-9781-03	1	Mount-Exhaust	36	98-9346	1	Sender-Temperature
10	33004-00	4	Nut-HF	37	119-0085-03	1	Mount-Overflow
11	114-3849	1	Muffler-Turbo	38	3230-5	2	Bolt-CARR
12	49-2580	1	Clamp-Muffler	39	68-6150	1	Breather
13	114-9774	1	Pipe-Exhaust	40	119-0098	1	Tank-Overflow
14	33104-030	2	Screw-HHF	41	2412-36	2	Clamp-Hose
15	33104-016	6	Screw-HHF	42	353-781	1	Fitting-HYD, 90
16	322-9	2	Screw-HH	43	2412-108	1	Clamp-Worm
17	3256-3	10	Washer-Flat	44	281-1	1	Plug-Pipe, SQH
18	93-5023	2	Spacer	45	110-4100	1	Hose-Fuel



## Air Cleaner Assembly No. 99-5410

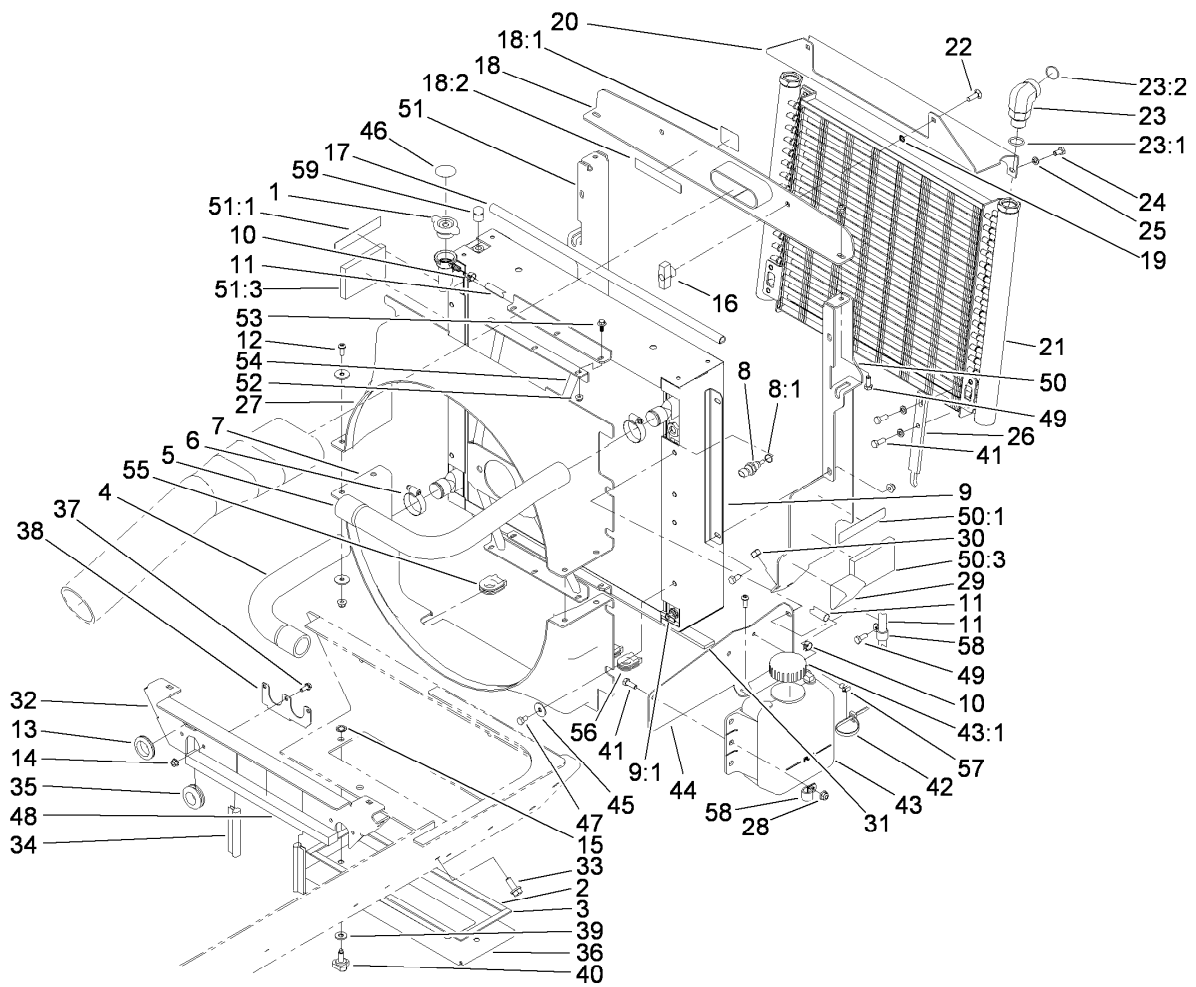
<i>Ref.</i>	<i>Part Number</i>	<i>Qty.</i>	<i>Description</i>
1	104-4258	1	Valve-Vacuator
2		1	Plug-Pipe ●
3	104-4259	1	Cover
4		1	Marking ●
5		1	Body ASM ●
6	108-3814	1	Filter-Air
7	108-3816	1	Filter-Air

● Not serviced separately



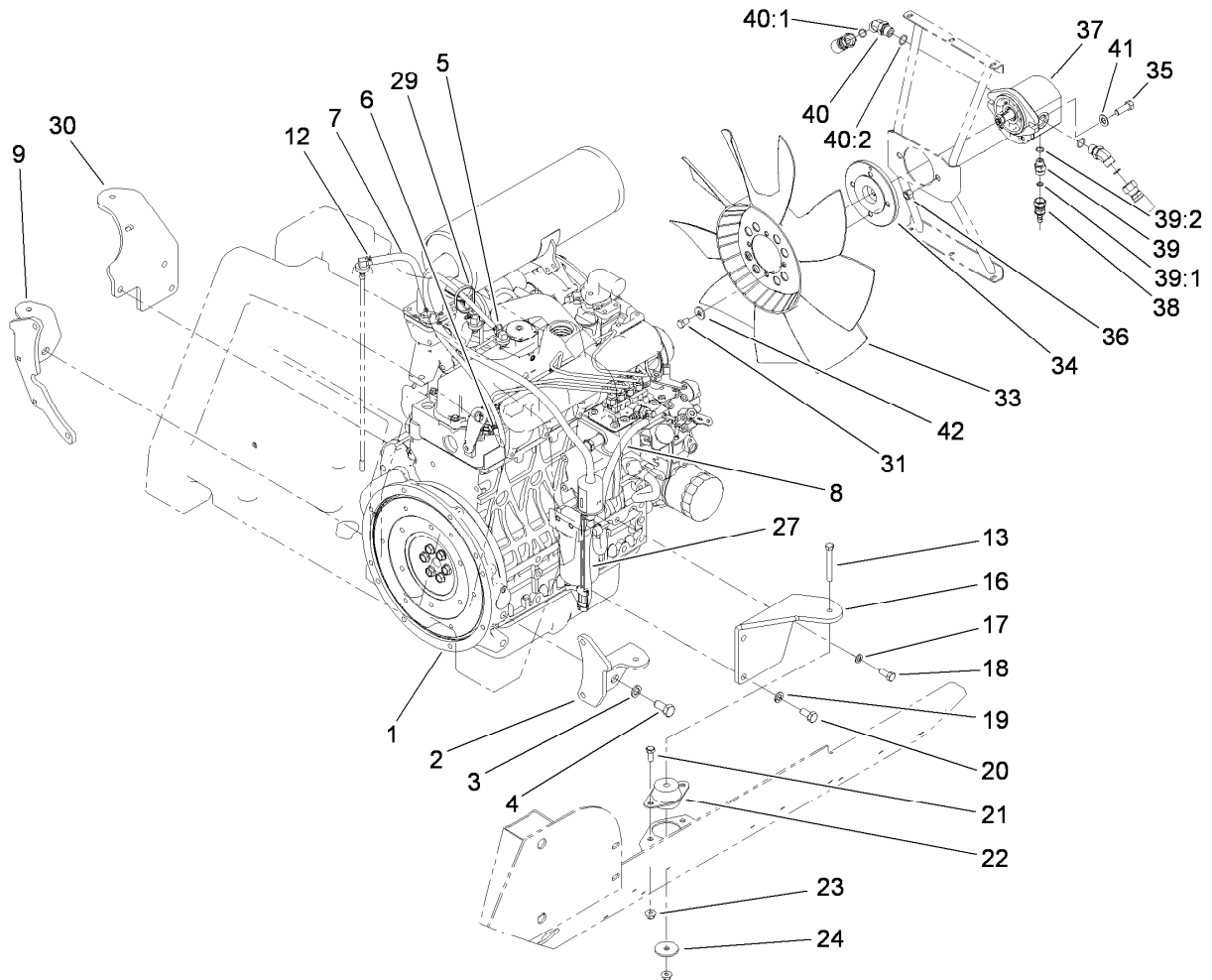
## Radiator, Oil Cooler and Support Assembly

Ref.	Part Number	Qty.	Description	Ref.	Part Number	Qty.	Description
1	93-5957	1	Cap-Radiator	23:2	340-65	1	O-Ring
2	105-0777	2	Strip-Foam	24	322-2	6	Screw-HH
3	105-0778	2	Strip-Foam	25	3253-4	6	Washer-Lock
4	114-3832	1	Hose-Radiator, Lower	26	117-5657-03	2	Plate-Mount, Oil Cooler
5	114-3831	1	Hose-Radiator, Upper	27	114-3816	1	Shroud-Radiator, Upper
6	2412-111	4	Clamp-Hose, W/Liner	28	104-8300	12	Nut-HF, NI
7	114-3834	1	Shroud-Radiator, Lower	29	93-5954	2	Plug-Foam
8	110-8829	1	Sender-Temperature	30	3296-39	6	Nut-Lock, NI
8:1	237-42	1	O-Ring	31	104-2226	1	Strip-Foam
9	114-3833	1	Radiator	32	114-9763-03	1	Bracket-Base
9:1	304-46	1	Draincock	33	3234-24	6	Screw-HHF
10	92-2379	3	Clamp-Hose	34	104-2224	2	Seal-Bulb
11	109-0277	2	Hose-Fuel	35	237-165	2	Grommet
12	3274-55	4	Screw-HSBH	36	110-6157-03	1	Cover
13	240-3	1	Grommet-Rubber	37	3234-33	4	Screw-HHF
14	32128-33	4	Nut-HF	38	106-6773-03	2	Plate
15	32151-72	2	Ring-Retaining	39	3256-3	2	Washer-Flat
16	98-7134	2	Knob-Handle	40	95-9648	2	Knob
17	114-3828	1	Seal-Bulb	41	322-4	6	Screw-HH
18	114-3813	1	Radiator Top Support ASM	42	3290-378	1	Tie-Cable
18:1	93-7275	1	Decal-Fluid, Starting	43	104-2276	1	Reservoir-Coolant
18:2	93-7272	1	Decal-Warning	43:1	87-7050	1	Cap-Reservoir
19	104-8310	2	Ring-Retaining	44	114-3801-03	1	Bracket-Tank
20	117-5667-03	1	Bracket-Oil Cooler	45	3256-82	13	Washer-Flat
21	110-0485	1	Cooler-Oil	46	106-6755	1	Decal-Cap, Radiator
22	3230-22	2	Screw-CARR	47	322-1	7	Screw-HH
23	104-3796	2	Fitting-Elbow 90	48	95-4231	1	Foam-Seal, Side Screen
23:1	237-81	1	O-Ring	49	322-3	3	Screw-HH



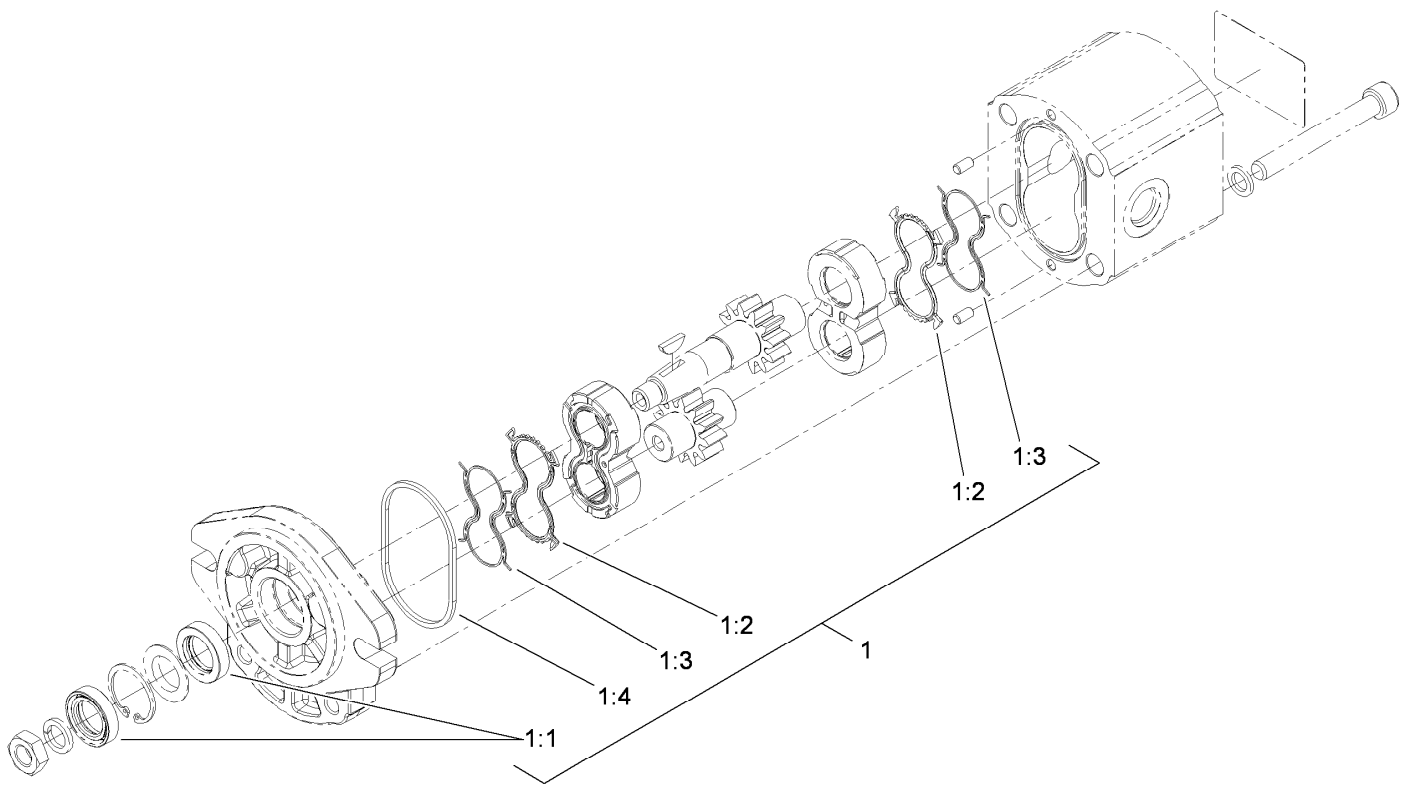
## Radiator, Oil Cooler and Support Assembly (continued)

<i>Ref.</i>	<i>Part Number</i>	<i>Qty.</i>	<i>Description</i>	<i>Ref.</i>	<i>Part Number</i>	<i>Qty.</i>	<i>Description</i>
50	114-3805	1	Radiator LH Support ASM	53	99-6810	6	Screw-HHF
50:1	93-7272	1	Decal-Warning	54	114-9764-03	1	Bracket-Motor, Fan
50:3	100-2196	1	Pad-Foam	55	115-3763	2	Grommet (.800 ID)
51	114-3803	1	Radiator RH Support ASM	56	115-3764	1	Grommet (.680 ID)
51:1	93-7272	1	Decal-Warning	57	32180-030	1	Clip-Tie
51:3	100-2196	1	Pad-Foam	58	92-6064	2	Clamp-R
52	104-7201	6	Nut-HF, NI	59	281-13	1	Plug-Pipe



## Engine Mount, Fuel Line and Fan Drive Assembly

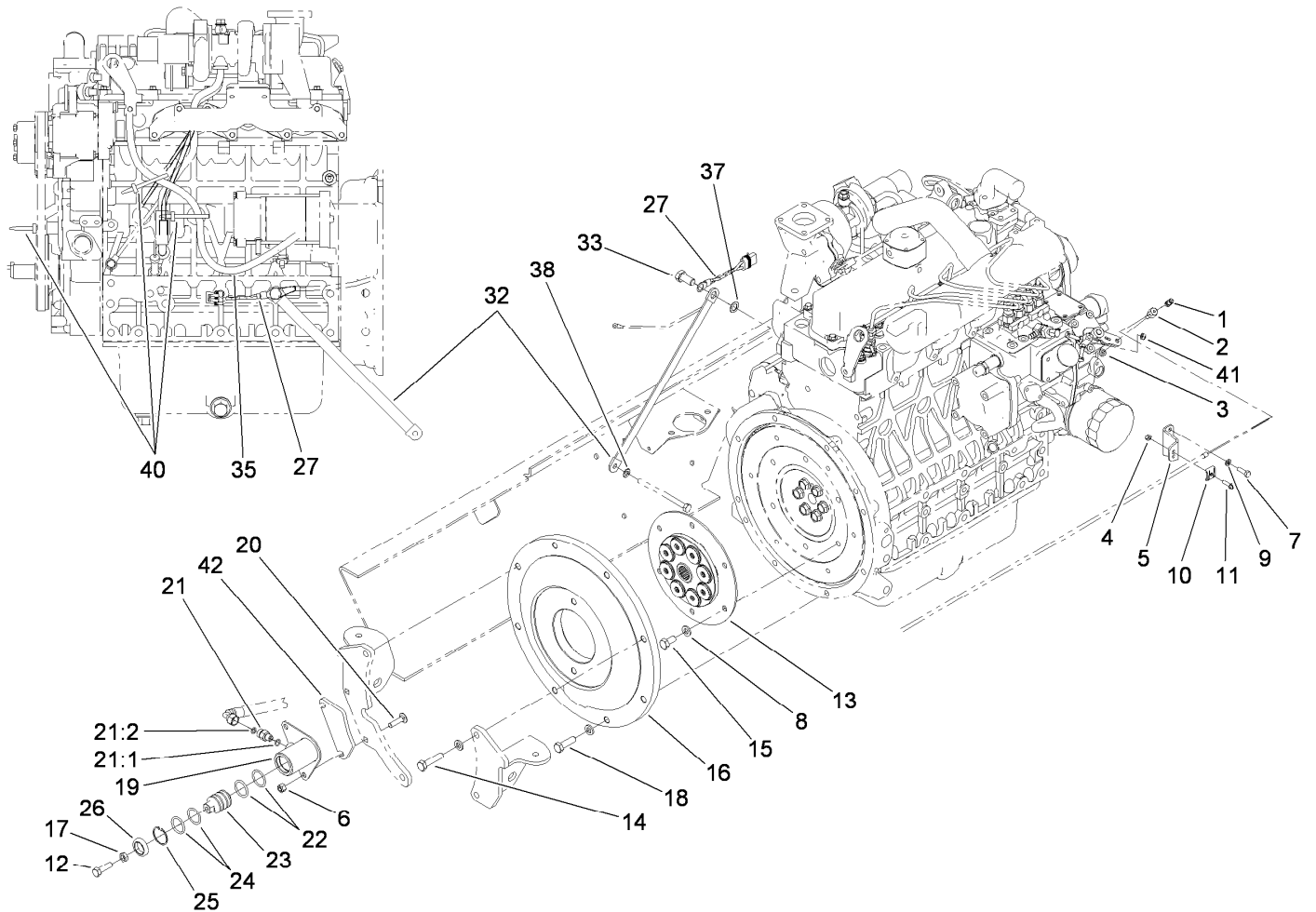
Ref.	Part Number	Qty.	Description	Ref.	Part Number	Qty.	Description
1	114-3800	1	Engine ASM	24	63-7400	4	Washer-Rebound
2	117-5659-03	1	Mount-Engine, LH	27	109-0274	2	Hose-Fuel
3	43-5950	2	Washer-Lock, Spring	29	3290-378	1	Tie-Cable
4	43-3210	2	Screw-HH	30	115-3766-03	1	Mount-Engine, Rear RH
5	2412-108	1	Clamp-Worm	31	115-8486	4	Screw-HH
6	2412-80	1	Clamp-Hose	33	114-3825	1	Fan
7	110-3257	1	Hose-Fuel	34	117-2364	1	Hub-Fan
8	110-3254	1	Hose-Fuel	35	324-5	2	Screw-HH
9	117-5658-03	1	Mount-Engine, RH	36	3296-48	2	Nut-Hex
12	92-2379	7	Clamp-Hose	37	117-4769	1	HYD Motor ASM
13	323-14	4	Screw-HH	38	115-3756	1	Hose ASM
16	114-3817-03	1	Mount-Engine, LH	39	340-2	1	Fitting-Straight
17	48-9590	1	Washer-Lock	39:1	237-22	1	O-Ring
18	43-0090	1	Screw-HH	39:2	237-42	1	O-Ring
19	48-8070	5	Washer-Lock	40	340-101	2	Fitting-HYD, 45 DEG
20	42-9250	5	Bolt	40:1	237-30	1	O-Ring
21	323-5	8	Screw-HH	40:2	237-79	1	O-Ring
22	53-9682	4	Mount-Engine	41	3256-25	2	Washer-Flat
23	104-8301	12	Nut-HF, NI	42	80-6990	4	Washer-Hardened



## Hydraulic Motor Assembly No. 117-4769

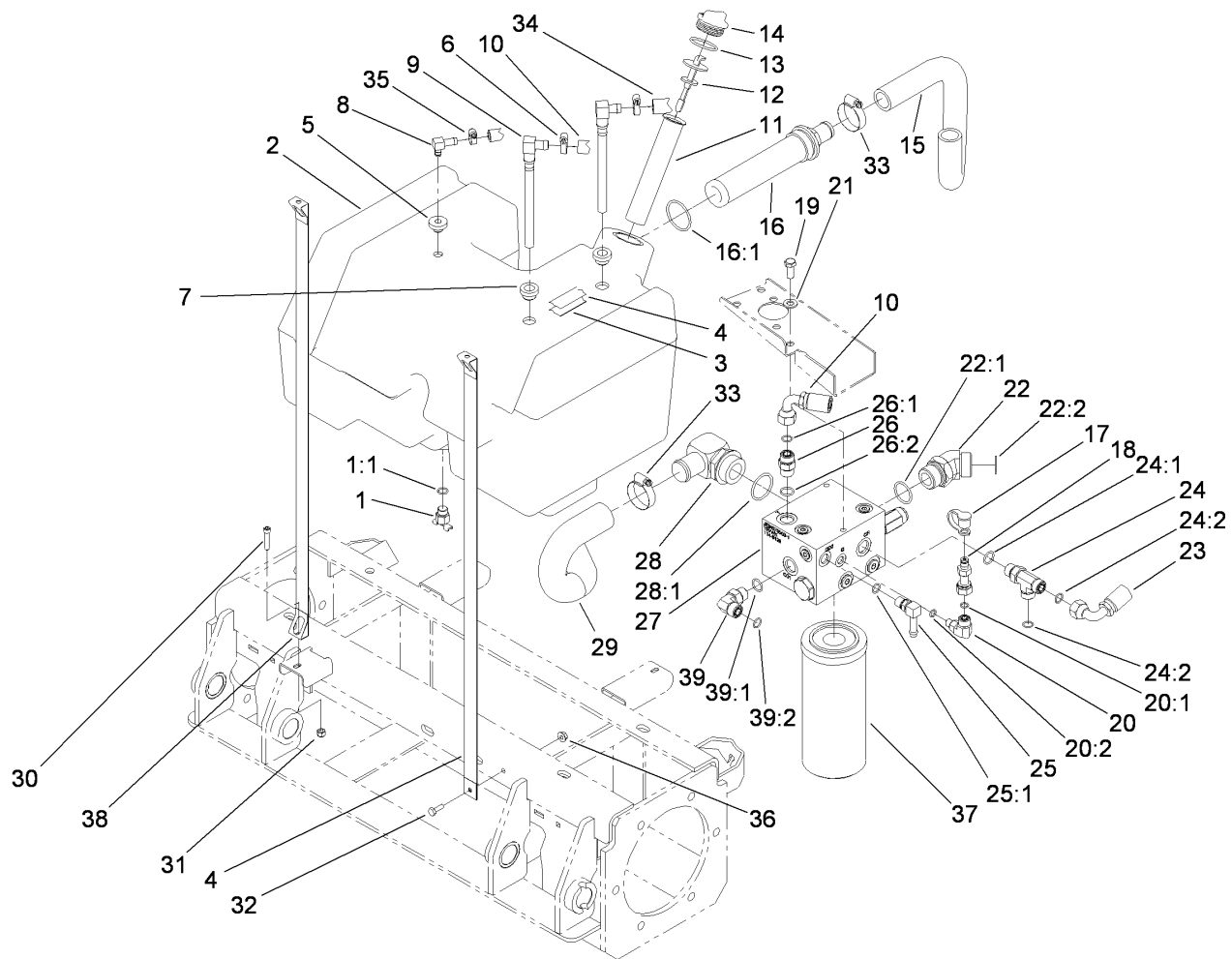
<i>Ref.</i>	<i>Part Number</i>	<i>Qty.</i>	<i>Description</i>
1	115-4110	1	Seal Kit
1:1		2	Seal-Shaft ●
1:2		2	Seal-Plate, Balancing ●
1:3		2	Seal-Anti Extrusion ●
1:4		2	O Ring-Housing ●

● Not serviced separately



## Flywheel and Throttle Assembly

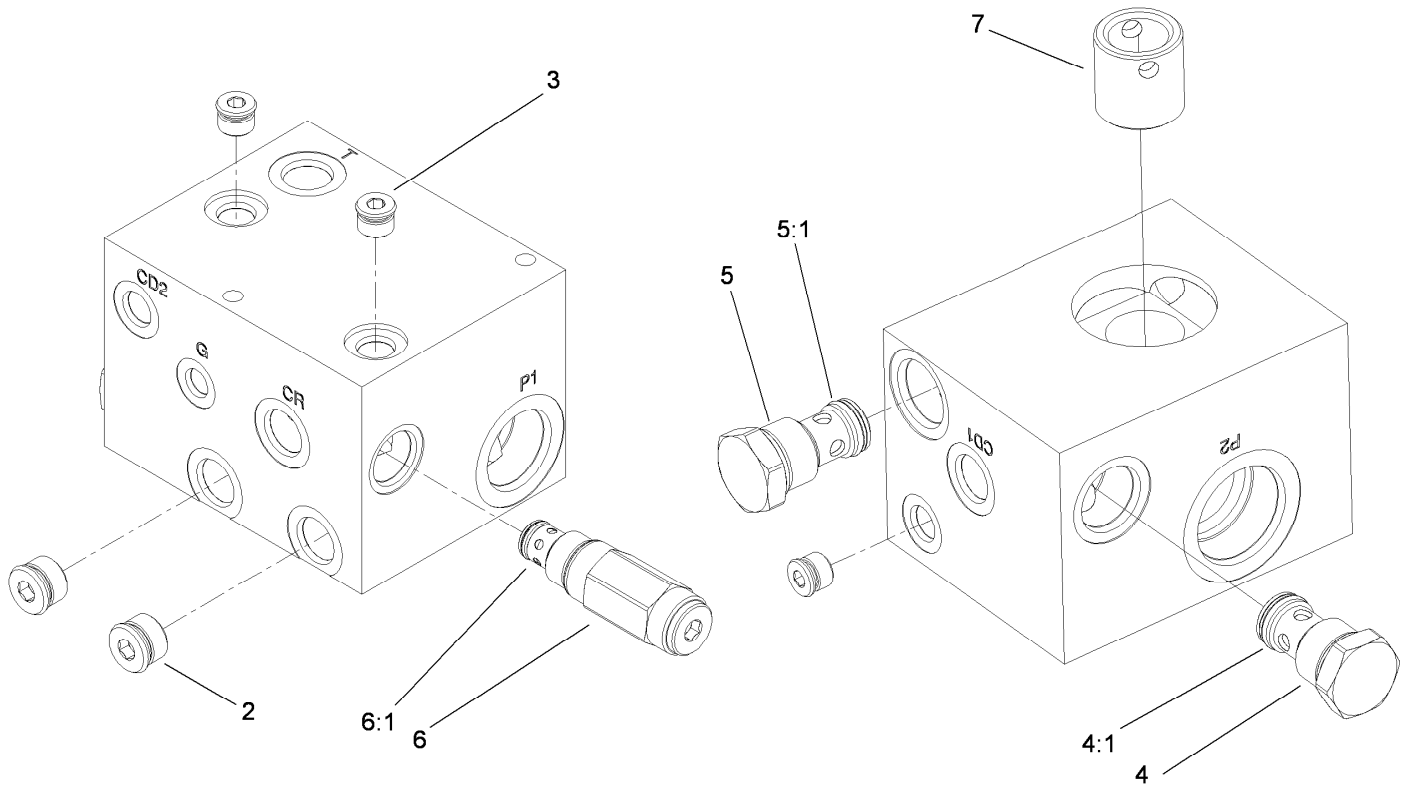
Ref.	Part Number	Qty.	Description	Ref.	Part Number	Qty.	Description
1	112-9919	1	Stop-Cable, Throttle	20	3230-3	2	Screw-CARR
2	93-0021	1	Swivel-Cable, Throttle	21	340-92	1	Fitting-Straight
3	3296-13	1	Nut-Lock, NI	21:1	237-78	1	O-Ring
4	3296-2	1	Nut-Lock, NI	21:2	237-21	1	O-Ring
5	115-9114-03	1	Support-Cable, Throttle	22	237-185	2	O-Ring
6	3296-29	2	Nut-Lock, NI	23	117-5689	1	Piston-Cylinder
7	33113-020	2	Screw-HH	24	104-2296	2	Ring-Back Up
8	107-1413	14	Washer-Hardened	25	32151-51	1	Ring-Retaining
9	43-5930	2	Washer-Lock, Spring	26	104-8304	1	Seal-Grease
10	81-1690	1	Clamp-Cable	27	117-2370	1	Harness-Ground
11	32105-13	1	Screw-HWH	32	117-2377	1	Cable-Battery, Negative
12	323-7	1	Screw-HH	33	42-9250	1	Bolt
13	114-3848	1	Coupler-Spring, Flywheel	35	117-4745	1	Cable-Battery, Positive
14	117-5664	4	Screw-HH	37	3255-2	1	Washer-Lock, EXT
15	99-5130	6	Screw-HH	38	3255-8	1	Washer-Lock
16	115-6657-03	1	Plate-Flywheel	40	3290-378	5	Tie-Cable
17	3218-3	1	Nut-Jam	41	33023-00	1	Nut-Lock
18	117-5663	4	Screw-HH	42	117-5662	1	Spacer-Cylinder
19	117-5691	1	Cylinder-Transport				



## Hydraulic Reservoir and Filter Assembly

Ref.	Part Number	Qty.	Description	Ref.	Part Number	Qty.	Description
1	104-8334	1	Petcock	22:2	340-65	1	O-Ring
1:1	237-42	1	O-Ring	23	105-7927	1	Hose-HYD
2	114-9773	1	Reservoir-HYD	24	340-109	1	Fitting-Tee
3	93-5273	2	Strap-Felt	24:1	237-79	1	O-Ring
4	104-0794	1	Strap	24:2	237-30	2	O-Ring
5	46-6560	1	Bushing	25	100-4887	1	Fitting-Elbow, 90
6	2412-36	2	Clamp-Hose	25:1	237-42	1	O-Ring
7	104-0790	2	Bushing	26	340-4	1	Fitting-Straight
8	46-6550	1	Fitting-Elbow, 90 DEG	26:1	237-30	1	O-Ring
9	104-0791	2	Pipe-Stand	26:2	237-79	1	O-Ring
10	115-8471	1	Hose ASM	27	114-8129	1	HYD Filter Manifold ASM
11	61-2790	1	Filter-Screen	28	92-7526	1	Fitting-HYD 90 Spcl
12	105-2812	1	Dipstick	28:1	237-101	1	O-Ring
13	94-8166	1	O-Ring	29	115-8454	1	Hose-Filter
14	93-7498	1	Plug-Plastic	30	3274-51	3	Screw-HSH
15	100-5528	1	Hose-Suction	31	3296-42	3	Nut-Lock, NI
16	104-7546	1	Tank Strainer ASM	32	321-4	1	Screw-HH
16:1	340-136	1	O-Ring	33	2412-111	2	Clamp-Hose, W/Liner
17	354-79	1	Cap-Dust	34	110-6151	1	Hose
18	86-5480	1	Nipple-Test	35	2412-108	1	Clamp-Worm
19	323-5	3	Screw-HH	36	32128-33	1	Nut-HF
20	340-97	1	Fitting-Elbow, 90 DEG	37	94-2621	1	Element-Filter
20:1	237-22	1	O-Ring	38	114-9783	1	Strap
20:2	237-78	1	O-Ring	39	340-98	1	Fitting-Elbow, 90 DEG
21	3256-24	3	Washer-Flat	39:1	237-79	1	O-Ring
22	104-3509	1	Fitting-HYD, 45 DEG	39:2	237-30	1	O-Ring
22:1	237-146	1	O-Ring				

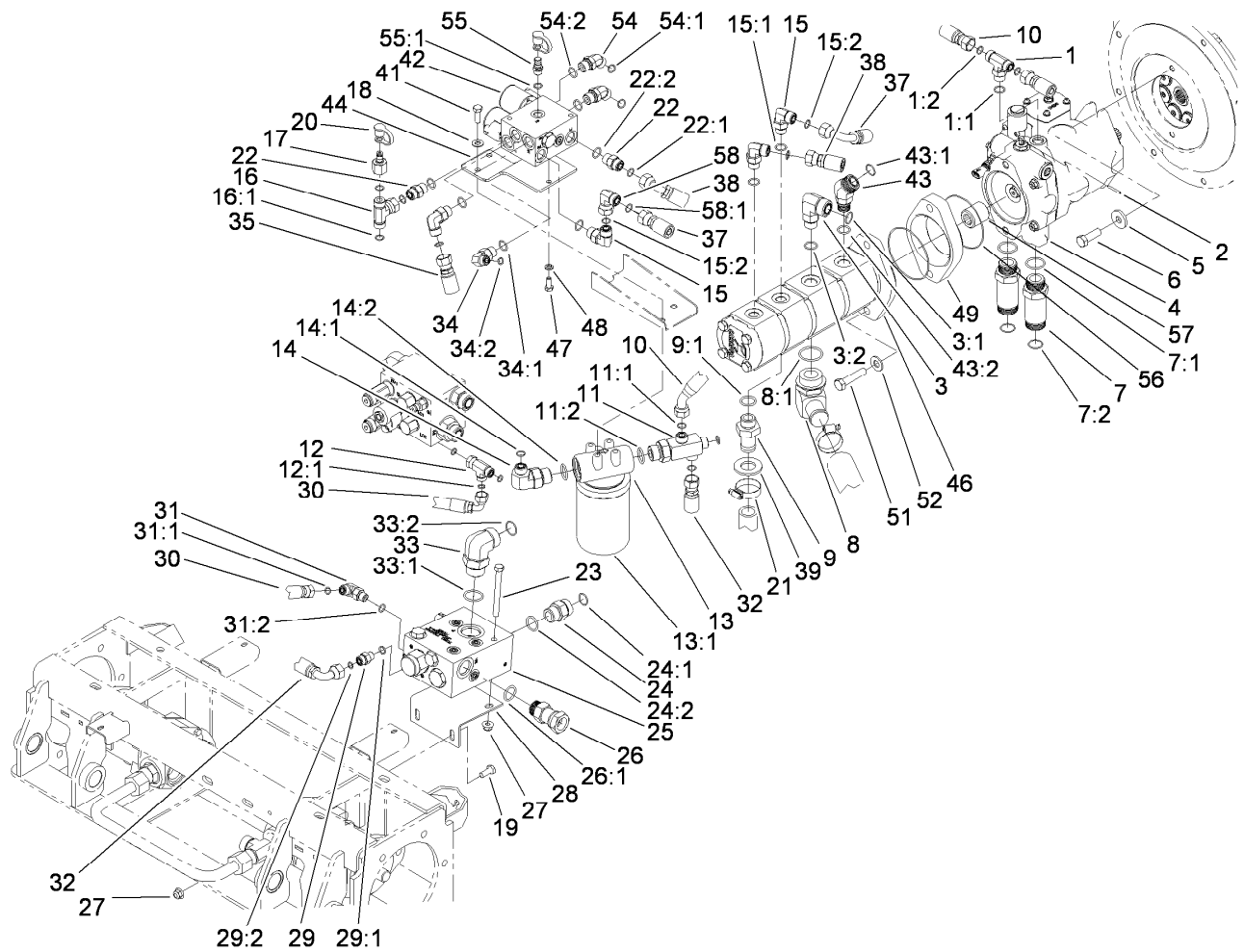




## Hydraulic Filter Manifold Assembly No. 114-8129

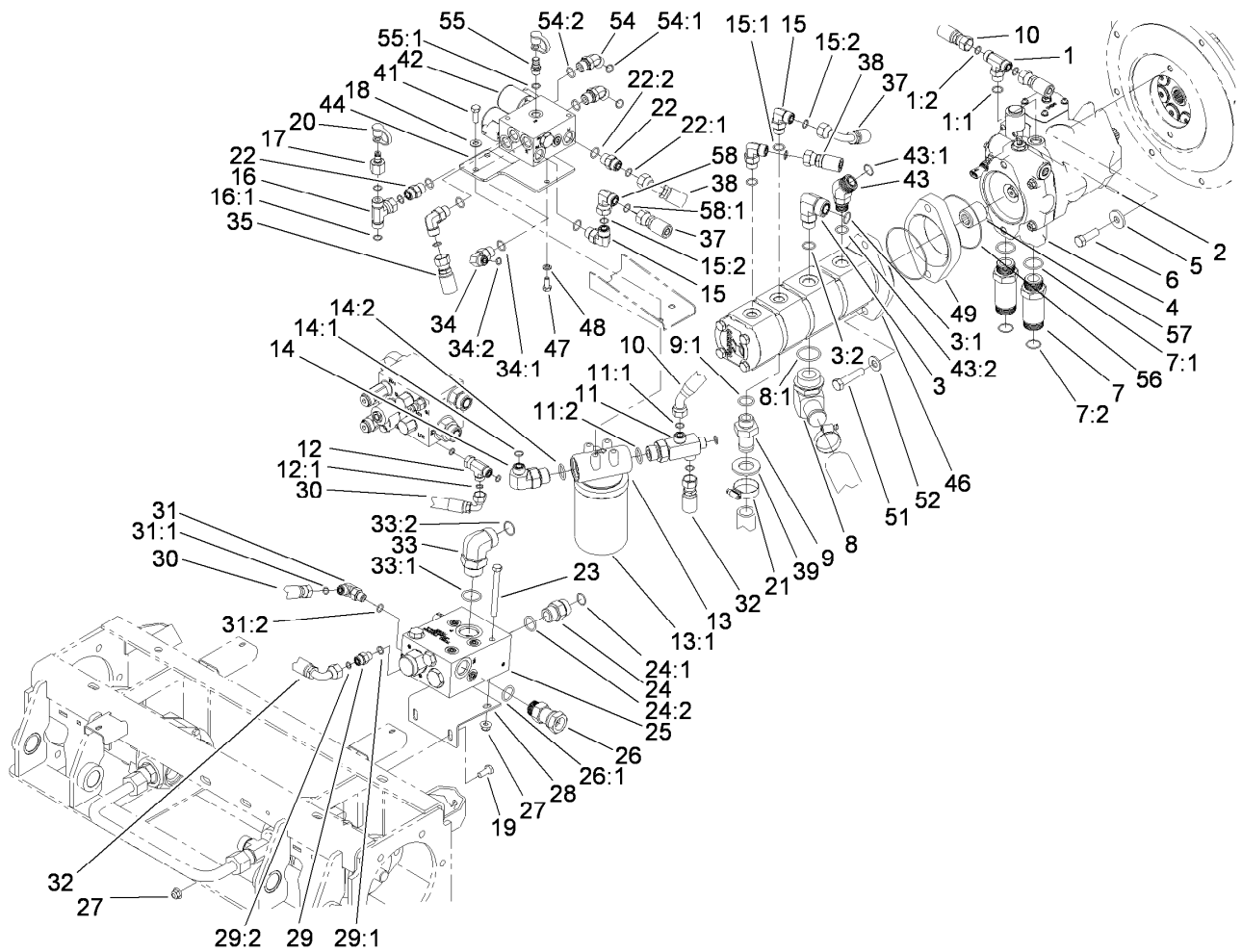
<i>Ref.</i>	<i>Part Number</i>	<i>Qty.</i>	<i>Description</i>
2		2	Plug ●
3		3	Plug ●
4	110-0468	1	Valve-Check, 5 PSI
4:1	110-0470	1	Seal Kit
5	110-0467	1	Valve-Check, 40 PSI
5:1	110-0470	1	Seal Kit
6	115-4140	1	Valve-Check
6:1	105-9159	1	Seal Kit
7		1	Filter Nipple ●

● Not serviced separately



## Pump Installation and Filter Assembly

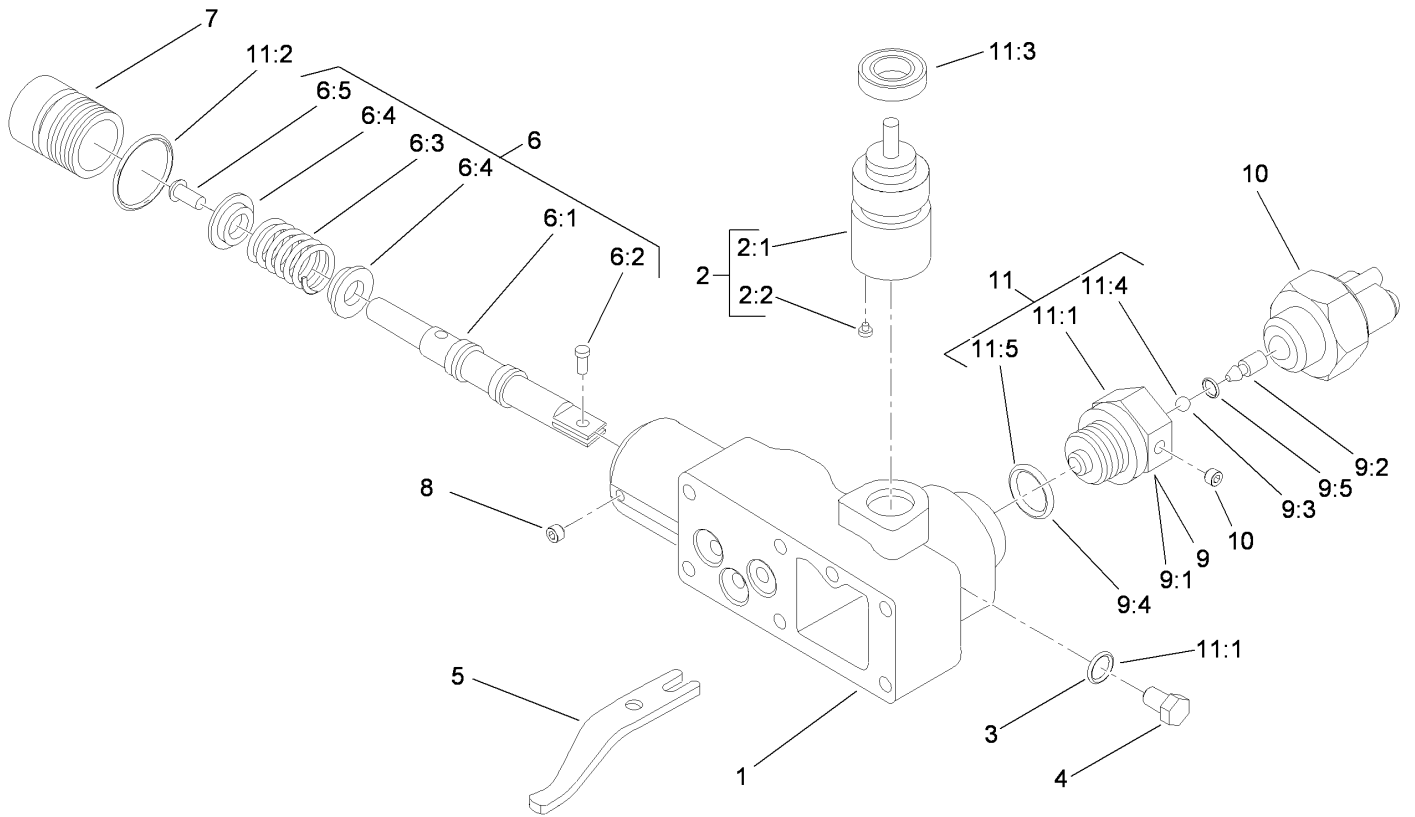
Ref.	Part Number	Qty.	Description	Ref.	Part Number	Qty.	Description
1	340-157	1	Fitting-HYD, Tee	14:2	237-81	1	O-Ring
1:1	237-79	1	O-Ring	15	340-98	4	Fitting-Elbow, 90 DEG
1:2	237-30	2	O-Ring	15:1	237-79	1	O-Ring
2	32121-77	1	Pin-Roll	15:2	237-30	1	O-Ring
3	340-16	1	Fitting-HYD, 90 DEG	16	93-6810	1	Fitting-Tee
3:1	237-80	1	O-Ring	16:1	237-30	2	O-Ring
3:2	237-58	1	O-Ring	17	100-5616	1	Fitting
4	114-9769	1	Piston Pump ASM	18	3256-24	2	Washer-Flat
5	110-6147	2	Washer-Flat	19	323-5	2	Screw-HH
6	115-8487	2	Screw-HH	20	354-79	2	Cap-Dust
7	100-5565	2	Fitting-STR	21	2412-111	2	Clamp-Hose, W/Liner
7:1	237-146	1	O-Ring	22	340-4	2	Fitting-Straight
7:2	340-65	1	O-Ring	22:1	237-30	1	O-Ring
8	92-7526	1	Fitting-HYD 90 Spcl	22:2	237-79	1	O-Ring
8:1	237-101	1	O-Ring	23	323-42	1	Screw-HH
9	99-3017	1	Fitting	24	340-9	1	Fitting-STR
9:1	237-81	1	O-Ring	24:1	237-58	1	O-Ring
10	100-5521	1	Hose ASM	24:2	237-81	1	O-Ring
11	106-4318	1	Fitting	25	112-9124	1	Traction Manifold ASM
11:1	237-30	3	O-Ring	26	106-2009	1	Fitting-HYD, Swivel
11:2	237-81	1	O-Ring	26:1	237-81	1	O-Ring
12	340-115	1	Fitting-Tee	27	104-8301	3	Nut-HF, NI
12:1	237-22	2	O-Ring	28	105-3232-03	1	Bracket-Valve
13	93-2242	1	Oil Filter ASM	29	340-2	1	Fitting-Straight
13:1	75-1310	1	Filter-HYD	29:1	237-22	1	O-Ring
14	340-131	1	Fitting-HYD, 90 DEG	29:2	237-42	1	O-Ring
14:1	237-30	1	O-Ring	30	66-8490	1	Hose-HYD



## Pump Installation and Filter Assembly (continued)

Ref.	Part Number	Qty.	Description	Ref.	Part Number	Qty.	Description
31	340-77	1	Fitting-Elbow, 90 DEG	43:2	237-80	1	O-Ring
31:1	237-22	1	O-Ring	44	114-9784-03	1	Mount-Manifold
31:2	237-42	1	O-Ring	46	114-9770	1	Pump ASM
32	110-6106	1	HYD Hose ASM	47	322-3	2	Screw-HH
33	340-129	1	Fitting-Elbow, 90 DEG	48	3253-4	2	Washer-Lock
33:1	237-146	1	O-Ring	49	115-3757	1	Spacer-Pump
33:2	340-65	1	O-Ring	51	115-8488	2	Screw-HH
34	340-18	1	Fitting-HYD, 90 DEG	52	87-7270	2	Washer-Thrust
34:1	237-79	1	O-Ring	54	340-101	2	Fitting-HYD, 45 DEG
34:2	237-22	1	O-Ring	54:1	237-30	1	O-Ring
35	114-9772	1	Hose ASM	54:2	237-79	1	O-Ring
37	105-3985	1	Hose-HYD	55	59-7410	1	Fitting-Diagnostic
38	95-3737	1	HYD Hose ASM	55:1	237-42	1	O-Ring
39	3256-62	1	Washer-Flat	56	115-3009	2	O-Ring
41	323-6	2	Screw-HH	57	115-3011	1	Coupler-Pump
42	114-3847	1	Fan Drive Manifold ASM	58	94-6031	1	Elbow-90
43	115-3768	1	Fitting-HYD, 45 DEG	58:1	237-30	1	O-Ring
43:1	237-58	1	O-Ring				



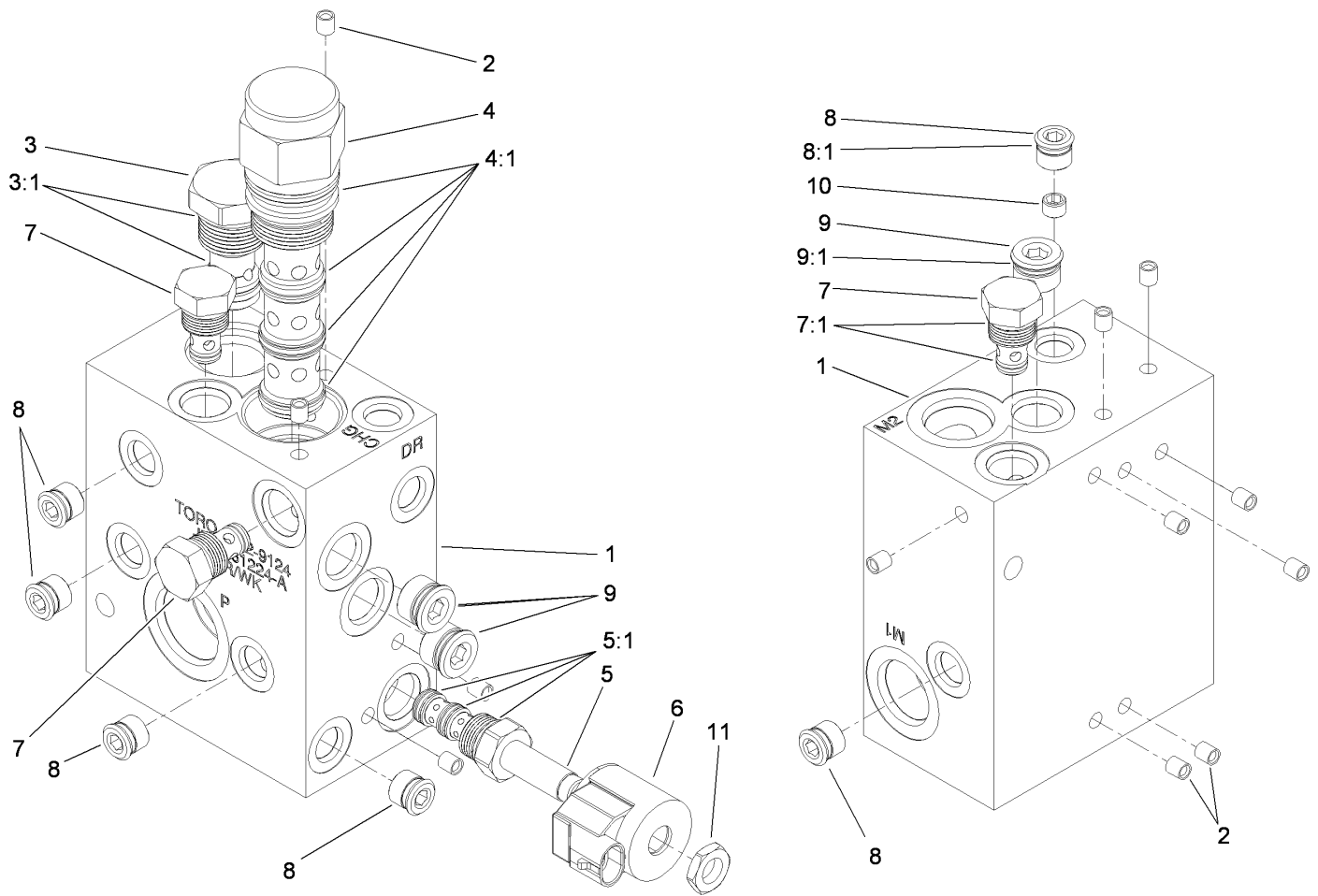


## Control Assembly No. 115-4446

Ref.	Part Number	Qty.	Description
1		1	Housing-Control ●
2	108-7099	1	Input Control Shaft ASM
2:1		1	Shaft ●
2:2		1	Pin ●
3		1	Ring-Retaining ●
4		1	Plug ●
5		1	Link-Feedback ●
6	108-7098	1	Valve Spool ASM
6:1		1	Valve-Spool ●
6:2		1	Pin-Dowel ●
6:3		1	Spring ●
6:4		2	Retainer ●
6:5		1	Screw ●
7		1	Plug ●

Ref.	Part Number	Qty.	Description
8		2	Screw-Set ●
9	108-8003	1	Adaptor ASM
9:1		1	Adaptor-Lockout, Neutral ●
9:2		1	Pin ●
9:3		1	Ball ●
9:4		1	Ring-Retaining ●
9:5		1	Ring-Retaining ●
10	115-3795	1	Switch-Neutral
11	94-3044	1	Seal Kit
11:1	117-8979	1	Seal-Shaft
11:2	105-2901	1	Gasket-Housing, Control
11:3		1	Ring-Retaining ●
11:4		1	Ring-Retaining ●
11:5		1	Seal-Wiper ●

● Not serviced separately

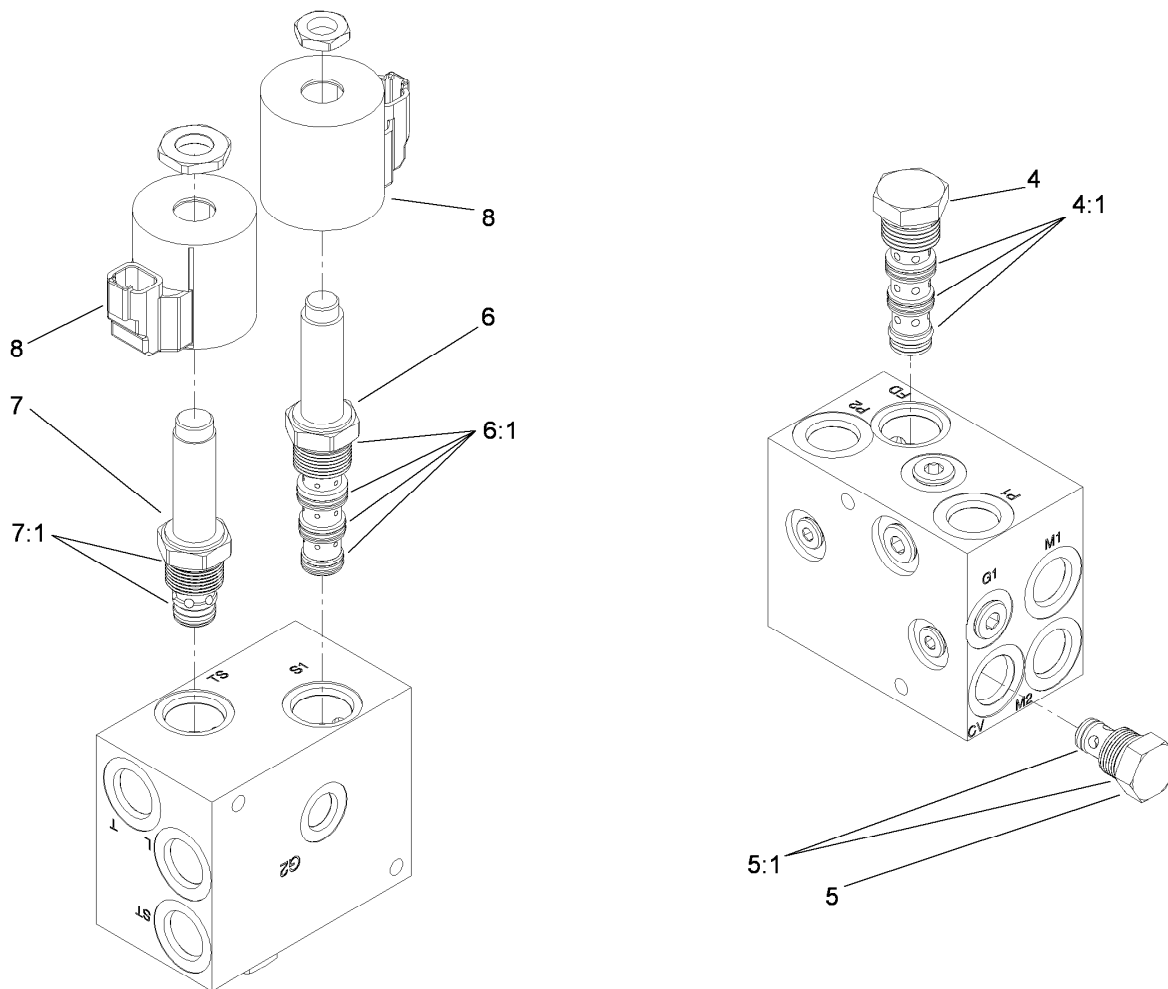


## Traction Manifold Assembly No. 112-9124

Ref.	Part Number	Qty.	Description
1		1	Manifold ●
2		13	Plug ●
3	106-1997	1	Valve-Divider, Flow ■
3:1	110-6111	1	Seal Kit
4	106-1996	1	Valve-Directional, Piloted
4:1	106-6775	1	Seal Kit
5	106-1995	1	Valve-3 Way
5:1	110-8773	1	Seal Kit
6	105-9333	1	Coil-12Vdc
7	105-9321	3	Check Valve ASM
7:1	105-9156	1	Seal Kit
8	353-989	6	Plug-Hex, Hollow
8:1	237-42	1	O-Ring
9	353-988	3	Plug-Hex
9:1	237-79	1	O-Ring
10	105-9326	1	Orifice
11	105-9332	1	Nut-E Coil

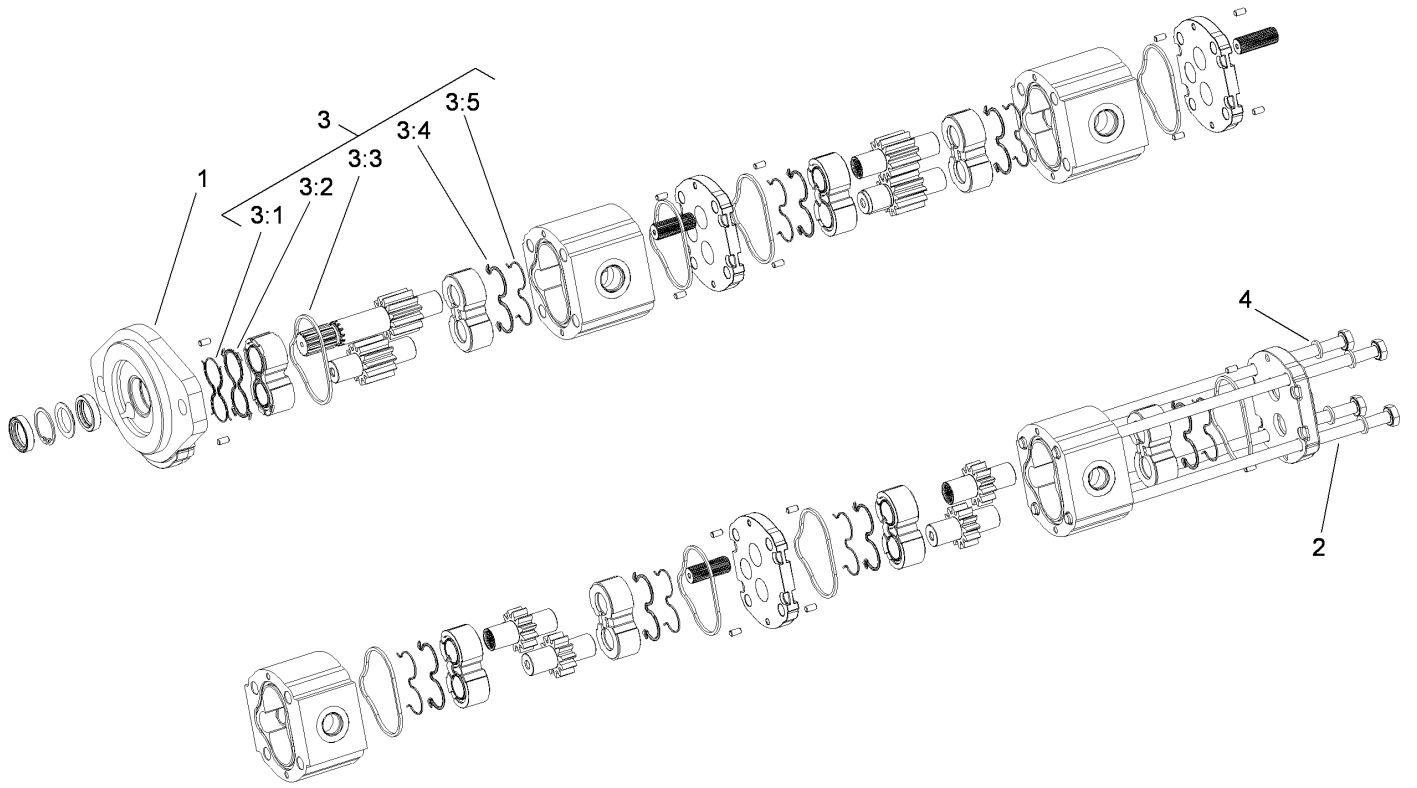
● Not serviced separately

■ Used in Groundsmaster 4000 Series



## Fan Drive Manifold Assembly No. 114-3847

<i>Ref.</i>	<i>Part Number</i>	<i>Qty.</i>	<i>Description</i>
4	115-3024	1	Valve-Flow Divider/Combiner
4:1	115-3025	1	Seal Kit
5	105-9321	1	Check Valve ASM
5:1	105-9156	1	Seal Kit
6	115-3023	1	Solenoid Valve ASM
6:1	110-8908	1	Spool Valve Seal Kit
7	115-3022	1	Relief-Proportional
7:1	110-6316	1	Seal Kit
8	110-6344	2	Coil-12V, DC

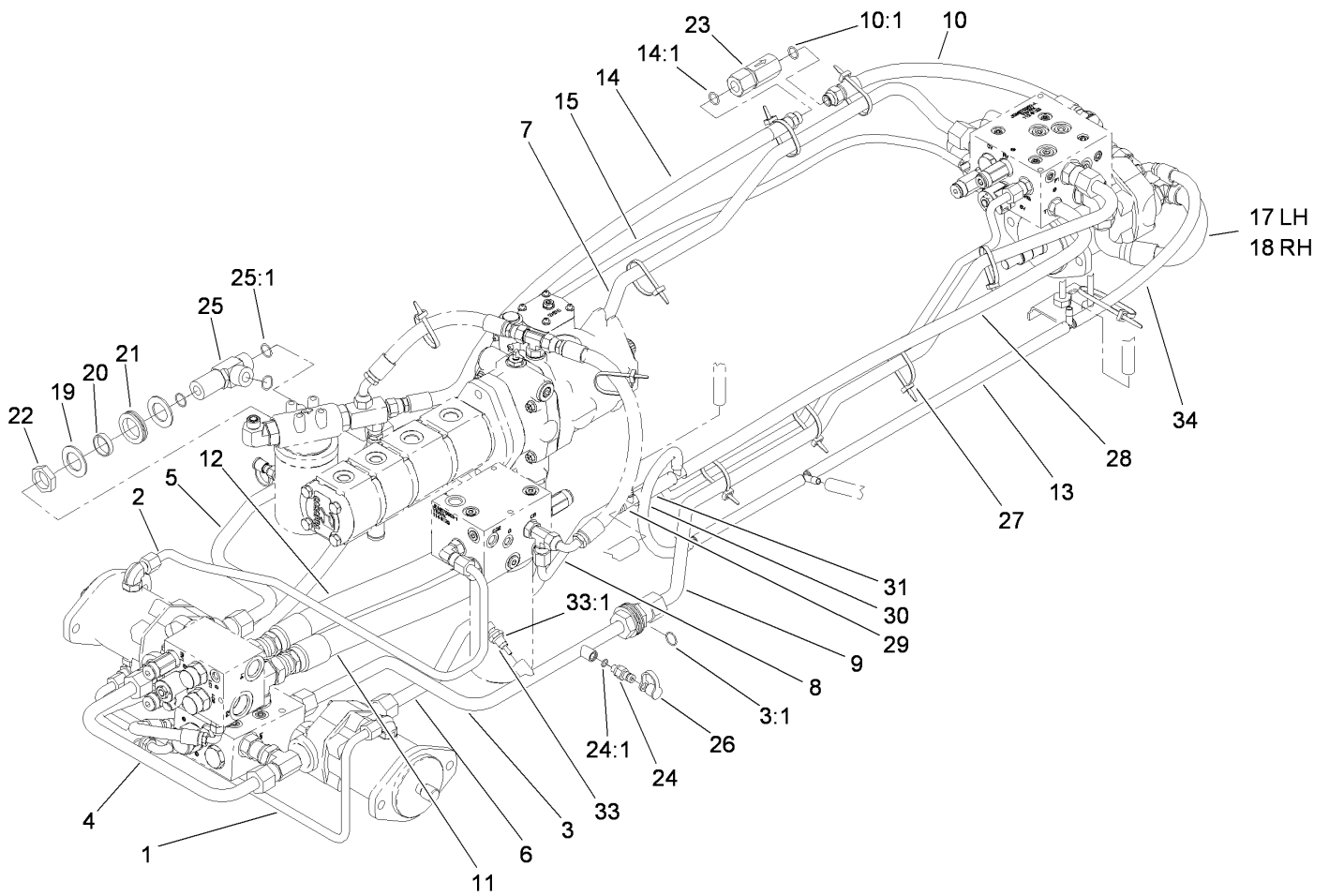


## Pump Assembly No. 114-9770

<i>Ref.</i>	<i>Part Number</i>	<i>Qty.</i>	<i>Description</i>
1	115-3774	1	Cover-Front
2	115-3775	4	Bolt
3	115-3776	1	Seal Kit
3:1		1	Seal ●
3:2		1	Seal ●
3:3		8	Seal ●
3:4		7	Seal ●
3:5		7	Seal ●
4	115-9138	4	Washer

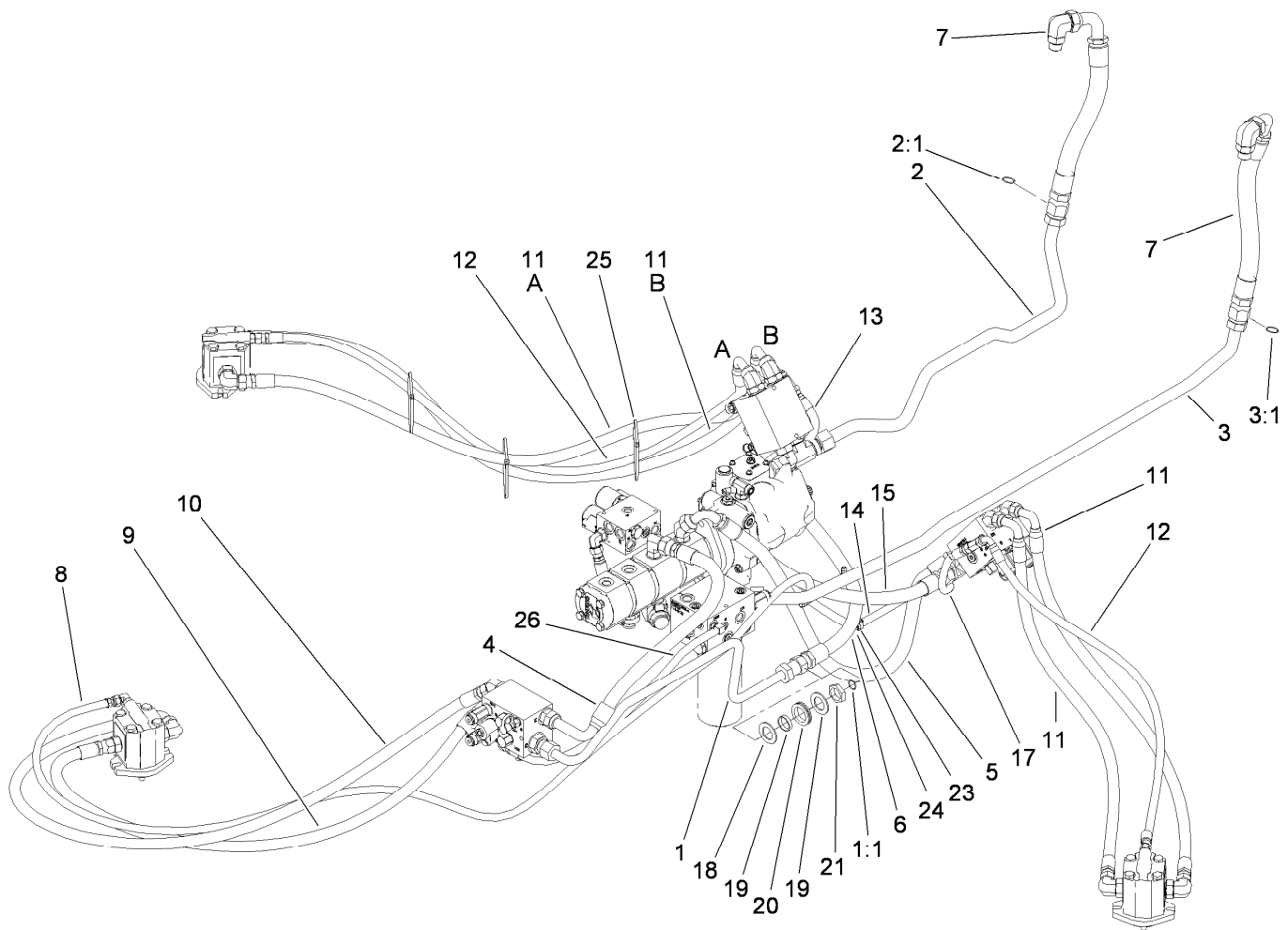
● Not serviced separately





## Traction Hydraulic Plumbing Assembly

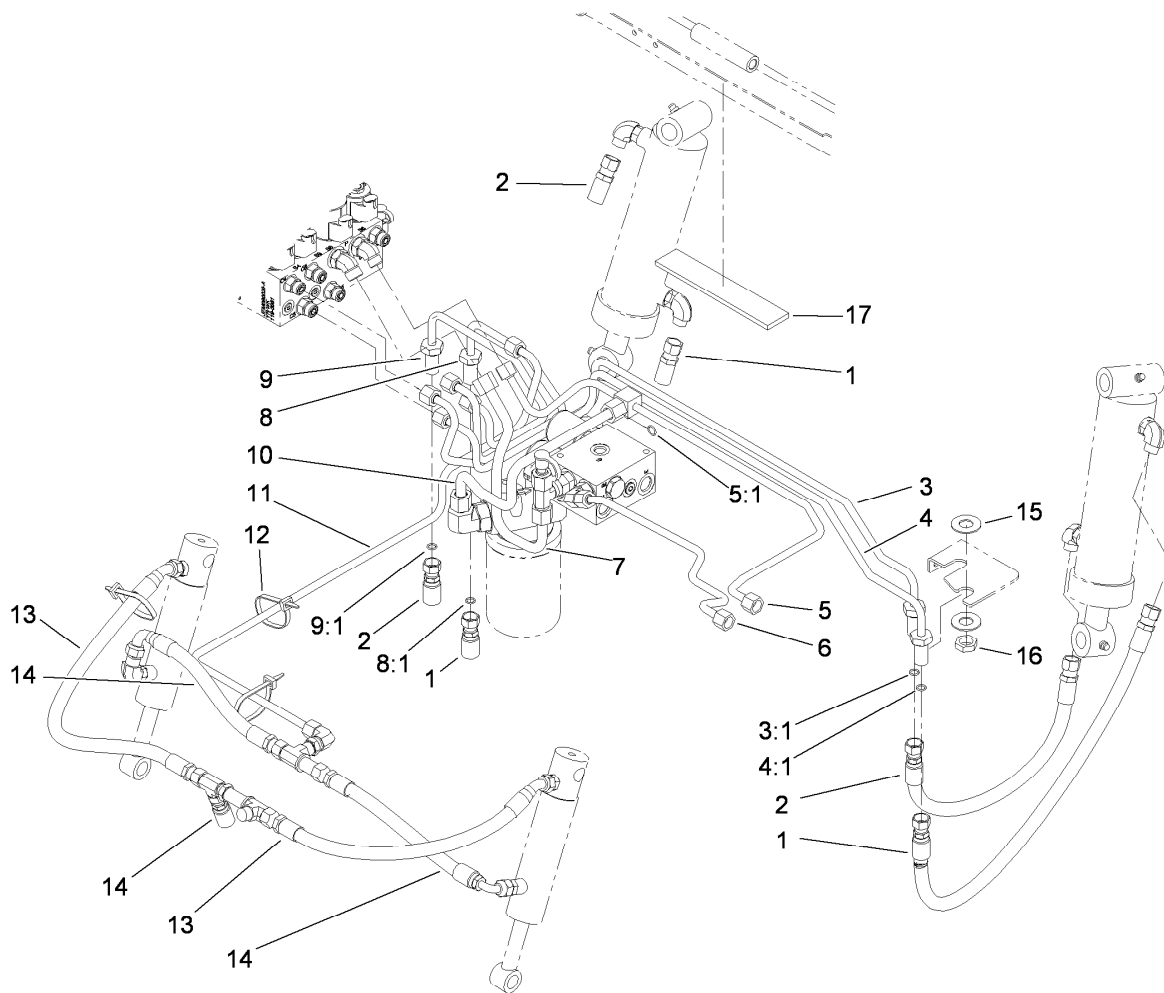
Ref.	Part Number	Qty.	Description	Ref.	Part Number	Qty.	Description
1	100-3095	1	Tube-HYD	17	100-5579	1	Hose ASM
2	115-8451	1	Tube-HYD	18	104-3502	1	Hose ASM
3	115-8464	1	HYD Tube ASM	19	69-8910	4	Washer
3:1	237-58	1	O-Ring	20	69-8900	2	Spacer
4	100-5574	1	Tube-HYD, Motor Front	21	240-7	2	Grommet-Rubber
5	104-3581	1	Tube-HYD, RH Motor	22	340-126	2	Nut-Bulkhead
6	115-8450	1	Tube-HYD, Motor LH	23	100-5600	1	Valve-Check
7	100-5571	1	Tube-HYD, RH Rear	24	354-77	2	Fitting-Quick
			Traction	24:1	237-78	1	O-Ring
8	115-8453	1	Tube-HYD, Charge LH	25	104-3558	1	Fitting-Bulkhead
9	115-3769	1	Tube-HYD, Traction LH	25:1	237-58	3	O-Ring
			Rear	26	354-79	2	Cap-Dust
10	100-5617	1	Hose ASM	27	3290-378	13	Tie-Cable
10:1	237-79	1	O-Ring	28	110-6153	1	Hose
11	115-8484	1	HYD Hose ASM	29	99-7371	2	Connector-Tee
12	115-8483	1	HYD Hose ASM	30	100-5607	1	Hose
13	115-8466	1	Hose	31	110-6190	1	Hose
14	104-2237	1	Hose ASM	33	110-8829	1	Sender-Temperature
14:1	237-79	1	O-Ring	33:1	237-42	1	O-Ring
15	100-5643	1	Hose ASM	34	115-8465	1	Hose ASM



## Power-Take-Off Hydraulic Plumbing Assembly

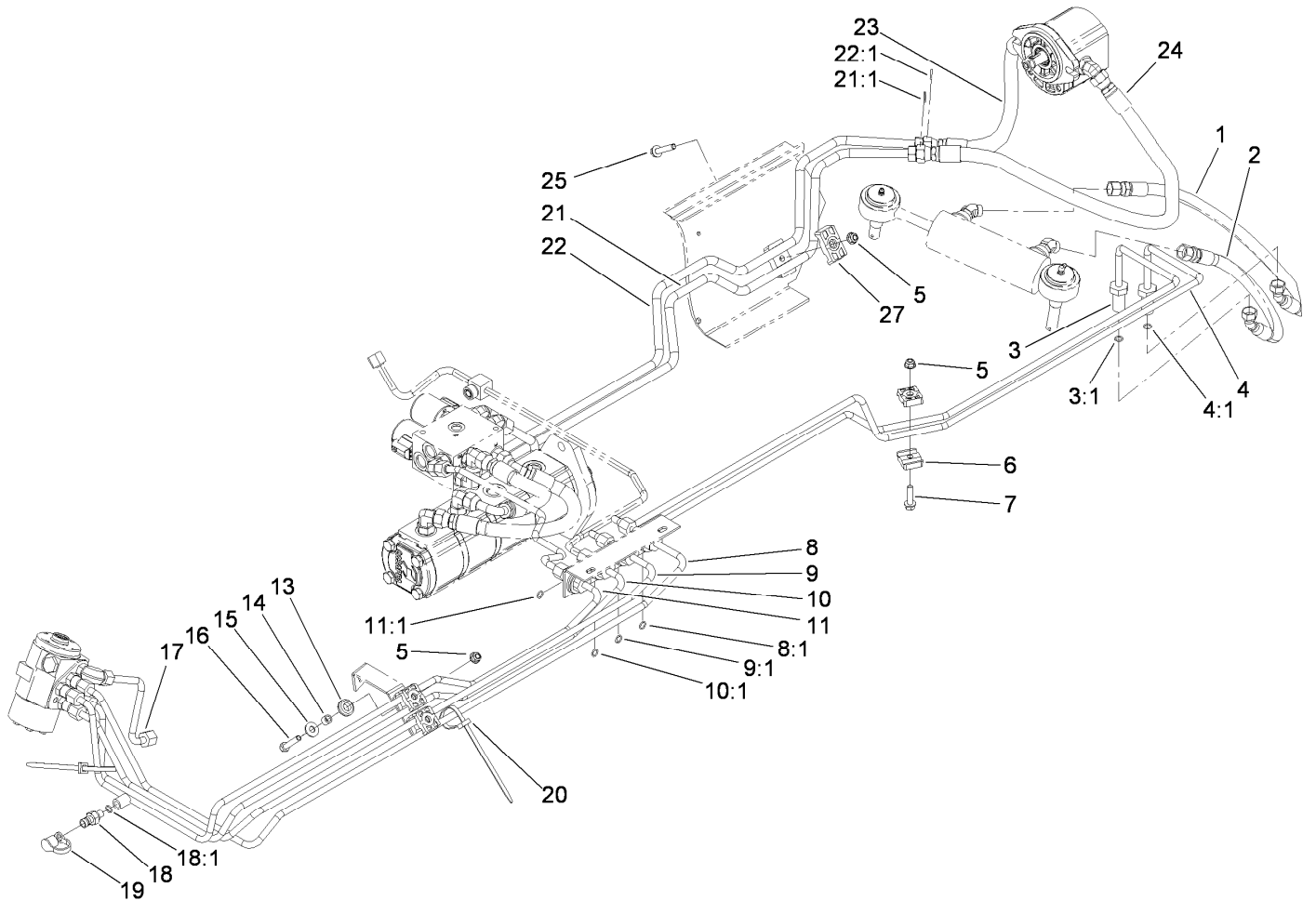
<i>Ref.</i>	<i>Part Number</i>	<i>Qty.</i>	<i>Description</i>
1	104-0795	1	Tube-HYD, Front PTO
1:1	237-58	1	O-Ring
2	104-0796	1	Tube-HYD, RH Cooler
2:1	340-65	1	O-Ring
3	115-8452	1	HYD Tube ASM
3:1	340-65	1	O-Ring
4	95-0961	1	Hose ASM
5	114-3837	1	Hose ASM
6	115-3772	1	Hose ASM
7	115-3771	2	Hose ASM
8	112-9126	1	Hose ASM
9	104-2261	1	Hose ASM
10	104-2260	1	Hose ASM
11	104-2263	4	Hose ASM

<i>Ref.</i>	<i>Part Number</i>	<i>Qty.</i>	<i>Description</i>
12	104-2265	2	Hose-HYD
13	100-5570	1	Hose ASM
14	100-5649	1	Hose
15	100-5645	1	Hose ASM
17	100-5641	1	Hose ASM
18	69-8910	2	Washer
19	69-8900	1	Spacer
20	240-7	1	Grommet-Rubber
21	340-126	1	Nut-Bulkhead
23	2412-36	13	Clamp-Hose
24	354-107	2	Fitting-HYD, Tee
25	3290-379	15	Tie-Cable
26	115-8476	1	Hose ASM



## Lift Arm Hydraulic Assembly

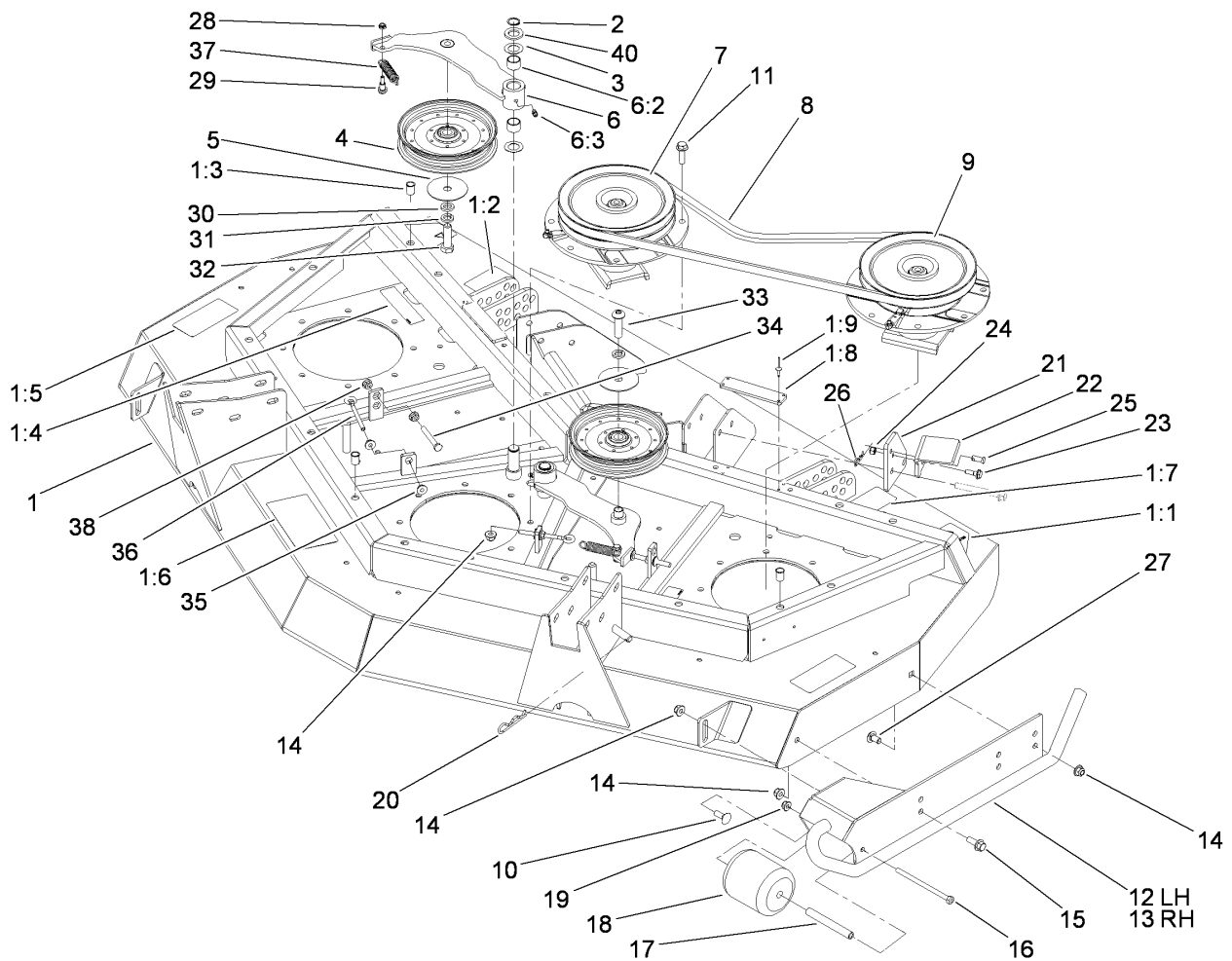
Ref.	Part Number	Qty.	Description
1	100-5629	2	Hose ASM
2	100-5630	2	Hose ASM
3	117-5683	1	HYD Tube ASM
3:1	237-22	1	O-Ring
4	117-5682	1	HYD Tube ASM
4:1	237-22	1	O-Ring
5	117-5681	1	HYD Tube ASM
5:1	237-30	1	O-Ring
6	117-5688	1	Hydraulic Tube ASM
7	117-5680	1	HYD Tube ASM
8	117-5685	1	HYD Tube ASM
8:1	237-22	1	O-Ring
9	117-5686	1	HYD Tube ASM
9:1	237-22	1	O-Ring
10	117-5687	1	HYD Tube ASM
11	117-5684	1	Hydraulic Tube ASM
12	3290-378	5	Tie-Cable
13	92-7595	2	Hose-HYD
14	104-2234	3	Hose-HYD
15	69-8940	8	Washer
16	340-70	4	Nut-Lock
17	100-8524	1	Strip-Foam



## Steering Hydraulic Assembly

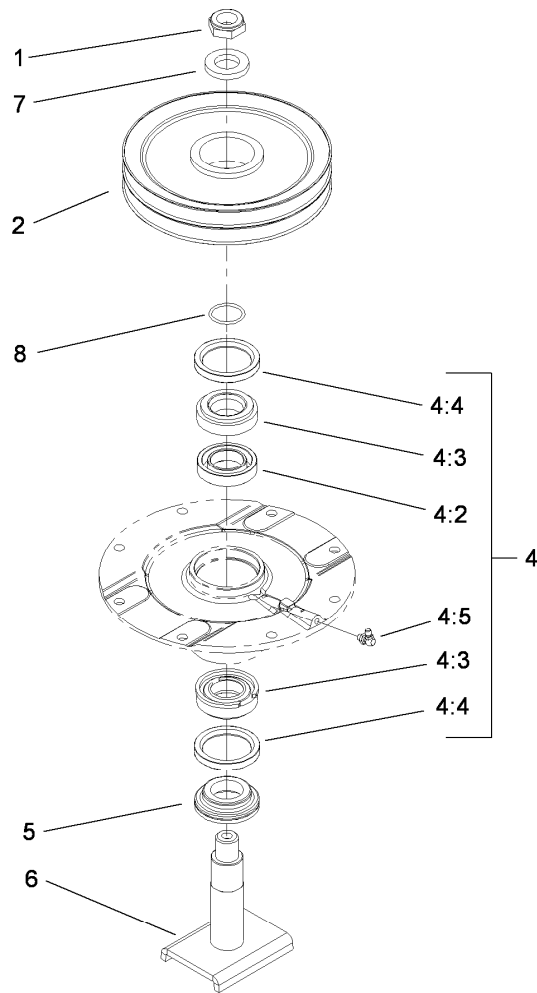
Ref.	Part Number	Qty.	Description	Ref.	Part Number	Qty.	Description
1	92-7538	1	Hose ASM	11	100-3090	1	Tube-HYD, Pressure Steering
2	92-7539	1	Hose-HYD	11:1	237-22	1	O-Ring
3	100-5576	1	Tube-HYD, Steering, Rear, RH	13	93-5108	2	Grommet-Rubber
3:1	237-22	1	O-Ring	14	93-5109	2	Spacer
4	100-5575	1	Tube-HYD, Steering, Rear, LH	15	3256-71	2	Washer-Flat
4:1	237-22	1	O-Ring ●	16	322-8	2	Screw-HH
5	104-8300	4	Nut-HF, NI	17	100-5588	1	Tube-HYD (Steer And Drain)
6	56-7973	6	Clamp-Tube	18	354-77	1	Fitting-Quick
7	3234-36	1	Screw-HHF	18:1	237-78	1	O-Ring
8	100-3091	1	Tube-HYD, Steering, Front, LH	19	354-79	1	Cap-Dust
8:1	237-22	1	O-Ring ●	20	3290-378	2	Tie-Cable
9	100-3092	1	Tube-HYD, Steering, Front, RH	21	115-8481	1	HYD Tube ASM
9:1	237-22	1	O-Ring ●	21:1	237-30	1	O-Ring
10	100-3093	1	Tube-HYD (Beyond Power Steering)	22	115-8482	1	HYD Tube ASM
10:1	237-22	1	O-Ring ●	22:1	237-30	1	O-Ring
				23	117-5692	1	HYD Hose ASM
				24	106-9676	1	HYD Hose ASM
				25	94-5780	1	Screw-HWH
				27	56-7976	2	Clamp-Tube

● Not illustrated



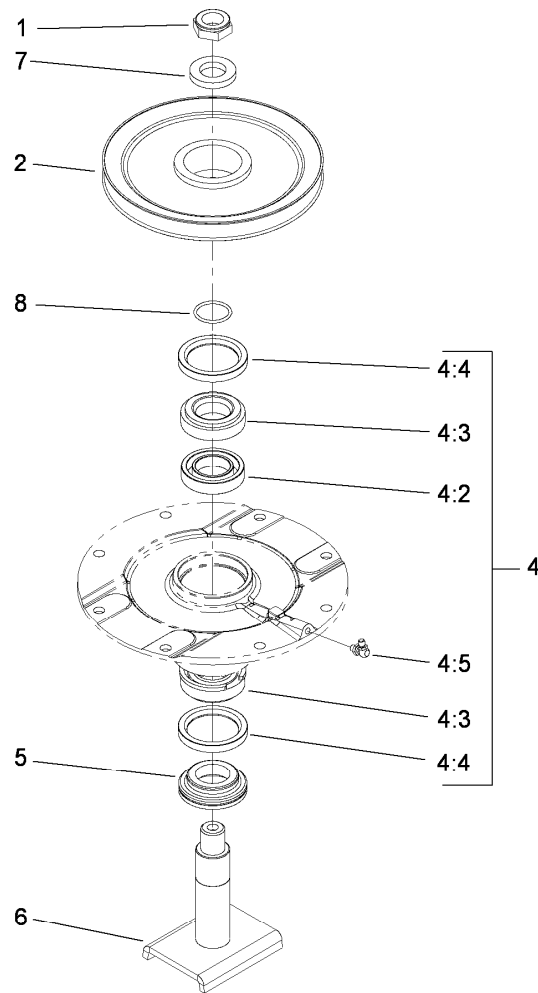
## Front Deck, Idler and Skid Assembly

Ref.	Part Number	Qty.	Description	Ref.	Part Number	Qty.	Description
1	110-3294	1	Front Deck ASM	15	3234-42	2	Screw-HHF
1:1	106-6753	2	Decal-Danger, CE	16	322-29	2	Screw-HH
1:2	100-5624	1	Decal-HOC, RH	17	105-4549	2	Spacer-Roller
1:3	32148-9	3	Nut-Clinch	18	93-4803	2	Roller-Deck
1:4	100-6578	4	Decal-Danger	19	104-8300	2	Nut-HF, NI
1:5	93-7818	2	Decal-Torque, Blade Bolt	20	3290-355	1	Pin-Hair
1:6	100-5622	1	Decal-HOC	21	106-2033-01	1	Plate-Latch
1:7	104-3578	1	Decal-HOC, LH	22	106-2032-01	1	Latch-Deck
1:8	105-0786	2	Pad-Plastic	23	11-9030	1	Screw-Shoulder
1:9	3269-24	8	Rivet	24	3296-42	1	Nut-Lock, NI
2	32120-72	2	Ring-Snap	25	283-62	1	Pin-Clevis
3	3-6498	4	Washer-Thrust	26	3290-467	1	Pin-Hair
4	110-9596	2	Pulley-Idler	27	3231-21	2	Screw-CARR
5	100-3102	2	Washer-Flat	28	3296-56	2	Nut-Lock, NI
6	110-6128	2	Idler Arm ASM	29	104-0858	2	Bolt-Shoulder
6:2	256-76	2	Bushing	30	9202424	1	Spacer
6:3	302-5	1	Fitting-Grease	31	3253-7	2	Washer-Lock
7	104-3530	1	Double Driven Spindle ASM	32	325-7	1	Screw-HH
8	108-8076	2	V-Belt, Deck	33	108-1993	1	Screw-HSBH
9	104-3531	1	High Driven Spindle ASM	34	9114524	2	Bolt-TAP, HH
10	3231-2	2	Bolt-CARR	35	32128-14	4	Nut-HF
11	3234-24	20	Screw-HHF	36	68-0090	2	Screw-Adjusting
12	100-5612-01	1	LH Skid ASM	37	107938	2	Spring-Extension
13	100-5605-01	1	RH Skid ASM	38	32128-26	4	Nut-HF
14	104-8301	26	Nut-HF, NI	40	70-1160	2	Washer



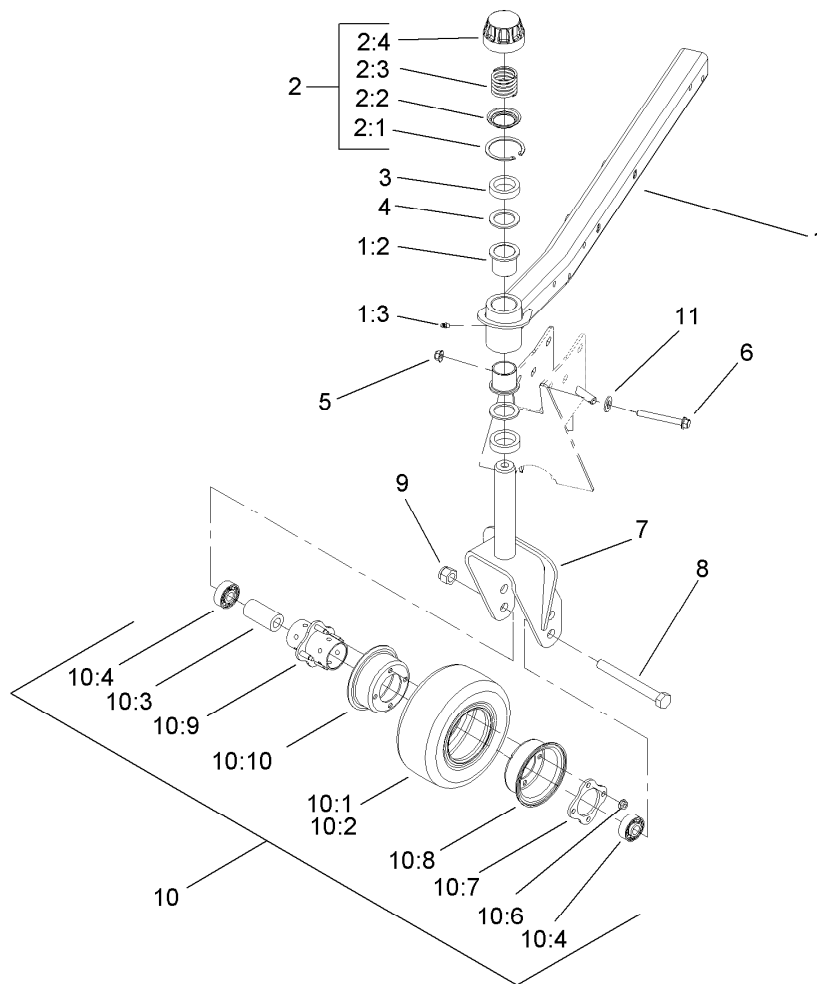
## Double Driven Spindle Assembly No. 104-3530

<i>Ref.</i>	<i>Part Number</i>	<i>Qty.</i>	<i>Description</i>
1	3296-60	1	Nut-Lock, NI
2	104-3547	1	Pulley-Driven, Double
4	104-3552	1	Spindle Housing ASM
4:2	104-3549	1	Bearing Spacer Set
4:3	110-8297	1	Bearing ASM
4:4	253-154	2	Seal-Oil
4:5	302-60	1	Fitting-Grease
5	69-6950	1	Spacer-Shaft, Spindle
6	104-3554	1	Shaft-Spindle
7	104-8322	1	Washer-Hardened
8	106-7159	1	O-Ring



## High Driven Spindle Assembly No. 104-3531

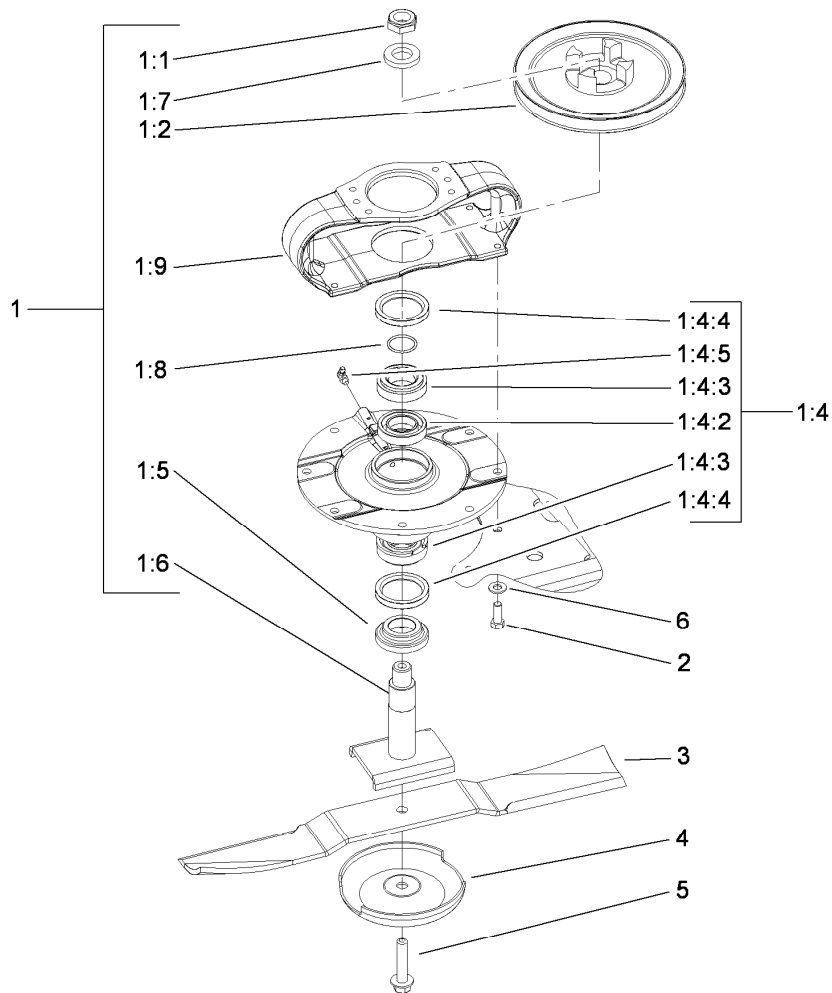
<i>Ref.</i>	<i>Part Number</i>	<i>Qty.</i>	<i>Description</i>
1	3296-60	1	Nut-Lock, NI
2	104-3548	1	Pulley-Driven, High
4	104-3552	1	Spindle Housing ASM
4:2	104-3549	1	Bearing Spacer Set
4:3	110-8297	1	Bearing ASM
4:4	253-154	2	Seal-Oil
4:5	302-60	1	Fitting-Grease
5	69-6950	1	Spacer-Shaft, Spindle
6	104-3554	1	Shaft-Spindle
7	104-8322	1	Washer-Hardened
8	106-7159	1	O-Ring



## Front Deck Castor Arm and Tire Assembly

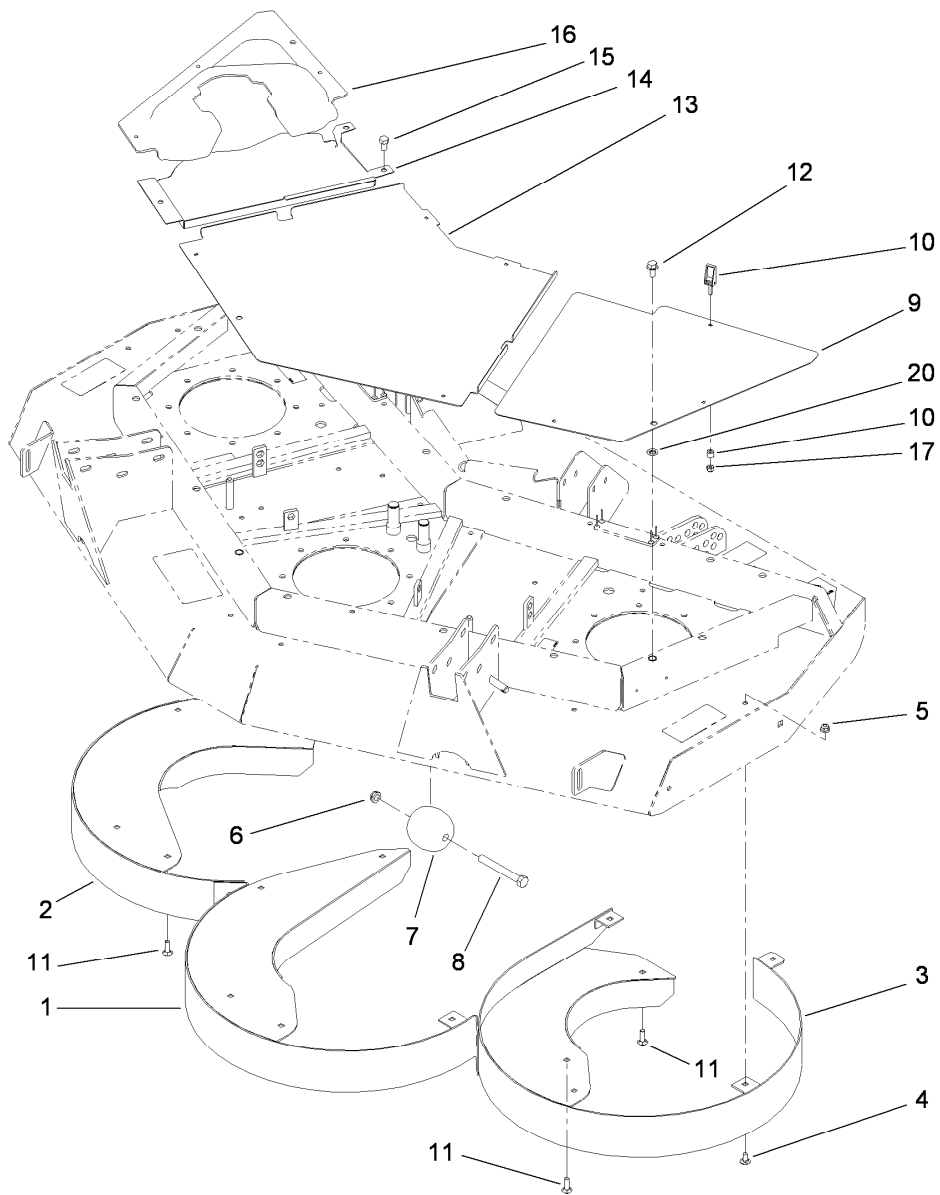
<i>Ref.</i>	<i>Part Number</i>	<i>Qty.</i>	<i>Description</i>	<i>Ref.</i>	<i>Part Number</i>	<i>Qty.</i>	<i>Description</i>
1	100-8092	1	Front LH Castor Arm ASM	9	3296-53	2	Nut-Lock, NI
1	100-8091	1	Front RH Castor Arm ASM	10	93-5974	2	8 Inch Foam Filled Wheel ASM
1:2	69-6470	2	Bushing-Caster	10	93-9938	2	Wheel ASM
1:3	302-5	1	Fitting-Grease	10:1	93-9939	1	Tire
2	92-9727	2	HOC Cap ASM	10:2	68-8950	1	Tube-Inner (W/Valve)
2:1	92-5581	1	Ring-Rtng, Snap, Int, Flat	10:3	93-4241	1	Spacer-Bearing, Inner
2:2	92-5583	1	Washer-Cap	10:4	108-9017	2	Bearing-Steel, Stainless
2:3	92-9726	1	Spring-Compression	10:6	32128-16	4	Nut-HHF
2:4	92-8861	1	Cap-HOC	10:7	93-4242	1	Plate
3	69-1510	10	Spacer	10:8	93-4239	1	Rim-Wheel, Half
4	69-6860	4	Washer-Thrust	10:9	93-5980	1	Hub
5	104-8301	10	Nut-HF, NI	10:10	95-2741	1	Rim-Wheel, Half
6	323-20	10	Screw-HH	11	3256-24	10	Washer-Flat
7	104-0762-01	2	Fork-Castor				
8	327-24	2	Screw-HH				





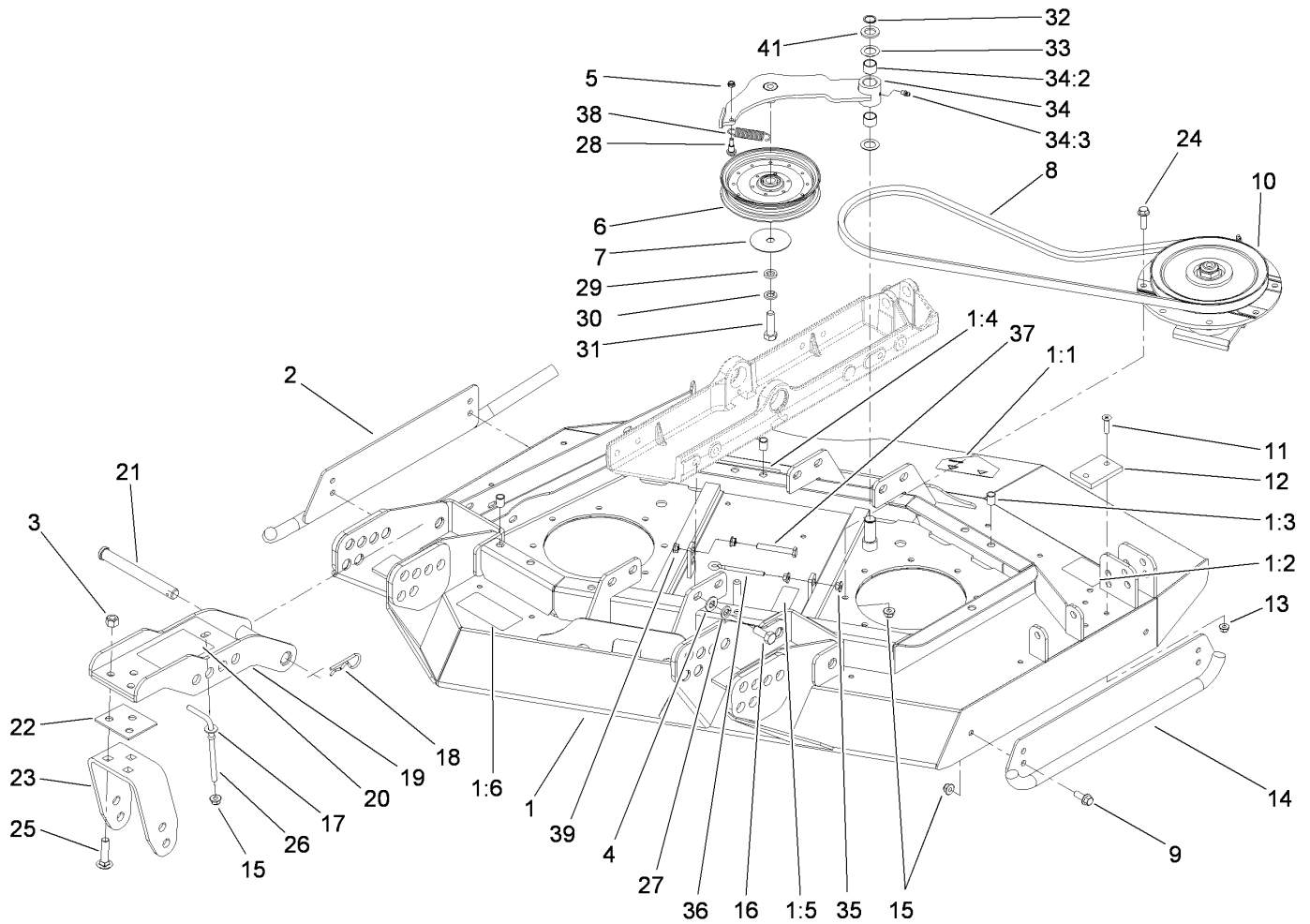
## Front Deck Spindle Installation Assembly

<i>Ref.</i>	<i>Part Number</i>	<i>Qty.</i>	<i>Description</i>
1	104-3529	1	Driving Spindle ASM
1:1	3296-60	1	Nut-Lock, NI
1:2	104-3545	1	Pulley-Driving
1:4	104-3552	1	Spindle Housing ASM
1:4:2	104-3549	1	Bearing Spacer Set
1:4:3	110-8297	1	Bearing ASM
1:4:4	253-154	2	Seal-Oil
1:4:5	302-60	1	Fitting-Grease
1:5	69-6950	1	Spacer-Shaft, Spindle
1:6	104-3554	1	Shaft-Spindle
1:7	104-8322	1	Washer-Hardened
1:8	106-7159	1	O-Ring
1:9	104-3544	1	Mount-Motor, Drive
2	323-6	4	Screw-HH
3	92-5608-03	3	Blade
4	72-9361	3	Cup-Scalp, Anti
5	92-5816	3	Bolt-Blade
6	3256-24	4	Washer-Flat



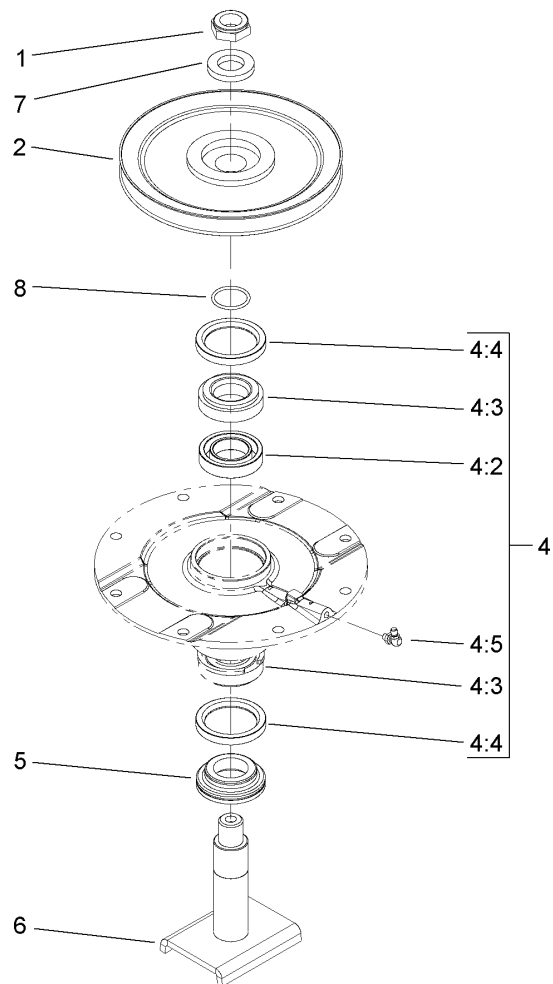
## Front Deck Chamber and Cover Assembly

<i>Ref.</i>	<i>Part Number</i>	<i>Qty.</i>	<i>Description</i>	<i>Ref.</i>	<i>Part Number</i>	<i>Qty.</i>	<i>Description</i>
1	104-2200-01	1	Chamber-Center	10	74-5950	10	Latch-Swell
2	104-2201-01	1	Chamber-RH	11	3230-22	3	Screw-CARR
3	104-2202-01	1	Chamber-LH	12	3234-1	3	Screw-HHF
4	3230-18	15	Screw-CARR	13	100-5660-03	1	Cover-Front, Center
5	104-8300	18	Nut-HF, NI	14	100-5662-03	1	Cover-Front, RH
6	3296-45	2	Nut-Hex	15	32144-69	3	Screw-HWHTF
7	29-4820	2	Roller	16	100-5661	1	Cover-Front, Center
8	325-17	2	Screw-HH	17	1-804254	10	Nut-Lock, HH
9	100-5663-03	1	Cover-Front, LH	20	107-3154	3	Nut-Push



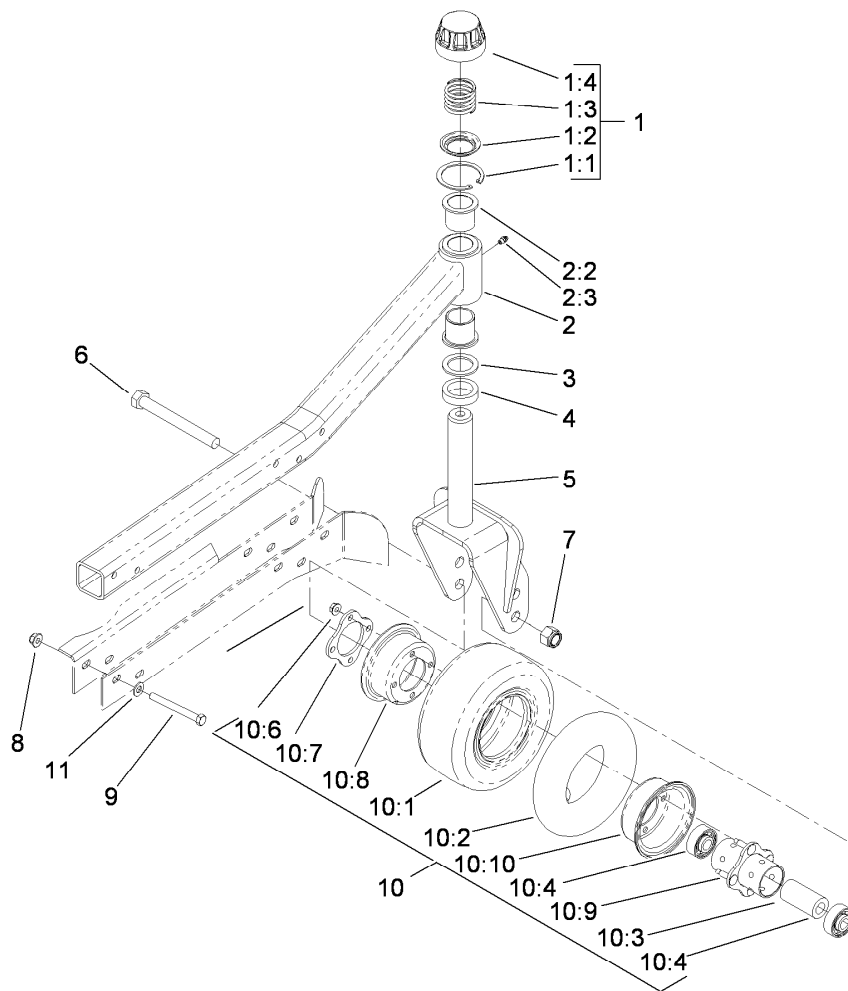
## Right Hand Deck, Idler and Skid Assembly

Ref.	Part Number	Qty.	Description	Ref.	Part Number	Qty.	Description
1	110-3295	1	Right Deck ASM	19	104-7529-01	2	Bracket-Castor
1:1	106-6753	1	Decal-Danger, CE	20	100-5623	1	Decal-HOC
1:2	100-5694	1	Decal-Rear HOC, RH	21	100-5569	4	Pin-Clevis
1:3	32148-9	3	Nut-Clinch	22	104-7524	8	Shim
1:4	100-5622	1	Decal-HOC	23	104-7525-01	2	Bracket-Fork
1:5	100-6578	3	Decal-Danger	24	3234-24	12	Screw-HHF
1:6	93-7818	1	Decal-Torque, Blade Bolt	25	3233-4	6	Screw-CARR
2	100-5620-01	1	RH Skid ASM	26	106-2047	2	Rod-Tension
3	3296-45	6	Nut-Hex	27	3253-7	8	Washer-Lock
4	3256-26	8	Washer-Flat	28	104-0858	1	Bolt-Shoulder
5	3296-56	1	Nut-Lock, NI	29	9202424	1	Spacer
6	110-9596	1	Pulley-Idler	30	3253-7	1	Washer-Lock
7	100-3102	1	Washer-Flat	31	325-7	1	Screw-HH
8	108-8076	1	V-Belt, Deck	32	32120-72	1	Ring-Snap
9	3234-42	4	Screw-HHF	33	3-6498	2	Washer-Thrust
10	104-3532	1	Low Driven Spindle ASM	34	110-6128	1	Idler Arm ASM
11	32108-103	2	Screw-FH	34:2	256-76	2	Bushing
12	69-9290	1	Pad-Bumper	34:3	302-5	1	Fitting-Grease
13	104-8300	2	Nut-HF, NI	35	32128-14	2	Nut-HF
14	104-2250-01	1	Skid-Side	36	68-0090	1	Screw-Adjusting
15	104-8301	18	Nut-HF, NI	37	9114524	1	Bolt-TAP, HH
16	325-5	8	Screw-HH	38	107938	1	Spring-Extension
17	3256-3	2	Washer-Flat	39	32128-26	2	Nut-HF
18	3290-343	4	Pin-Hair	41	70-1160	1	Washer



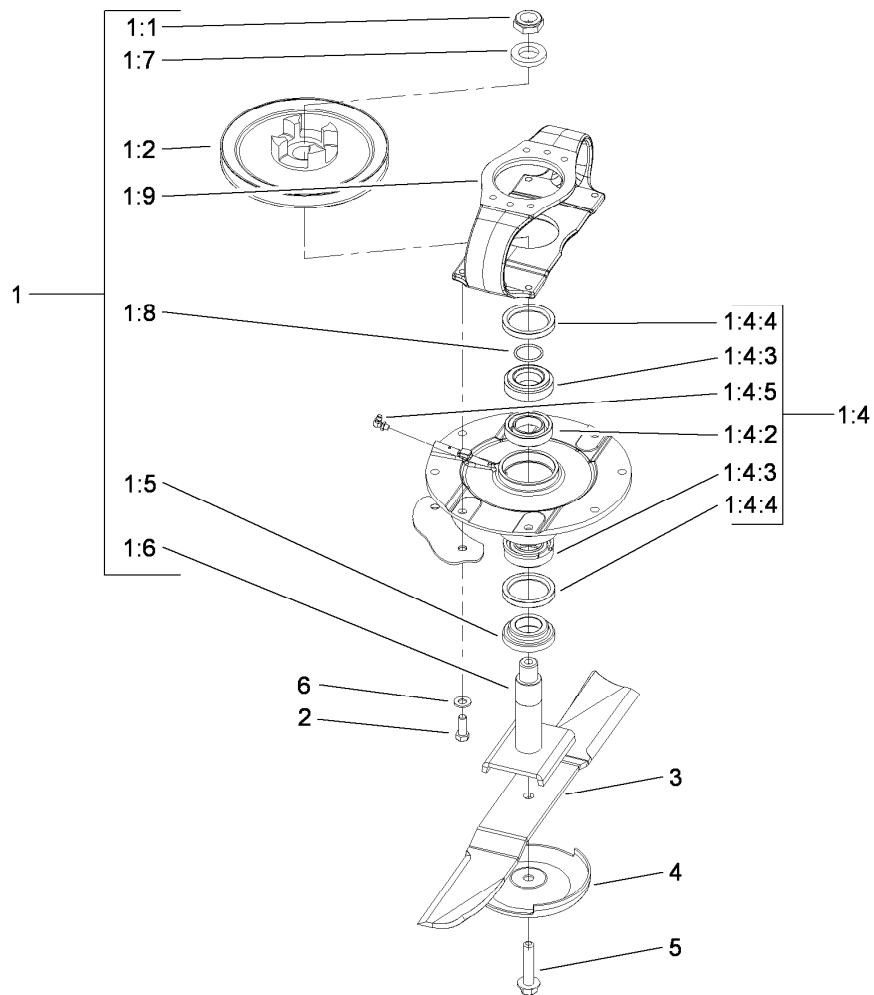
## Low Driven Idler Assembly No. 104-3532

<i>Ref.</i>	<i>Part Number</i>	<i>Qty.</i>	<i>Description</i>
1	3296-60	1	Nut-Lock, NI
2	104-3546	1	Pulley-Driven, Low
4	104-3552	1	Spindle Housing ASM
4:2	104-3549	1	Bearing Spacer Set
4:3	110-8297	1	Bearing ASM
4:4	253-154	2	Seal-Oil
4:5	302-60	1	Fitting-Grease
5	69-6950	1	Spacer-Shaft, Spindle
6	104-3554	1	Shaft-Spindle
7	104-8322	1	Washer-Hardened
8	106-7159	1	O-Ring



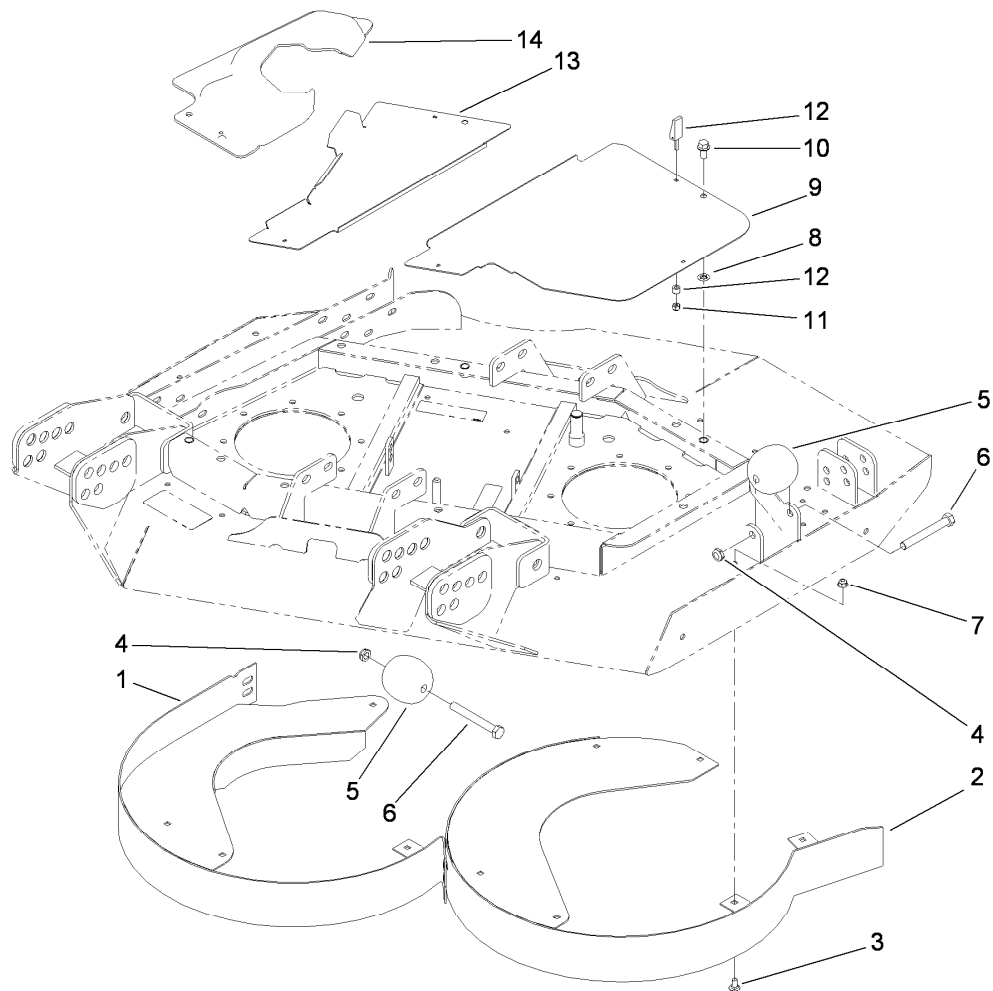
## Right and Left Hand Caster Arm and Wheel Assembly

<i>Ref.</i>	<i>Part Number</i>	<i>Qty.</i>	<i>Description</i>	<i>Ref.</i>	<i>Part Number</i>	<i>Qty.</i>	<i>Description</i>
1	92-9727	1	HOC Cap ASM	9	323-20	5	Screw-HH
1:1	92-5581	1	Ring-Rtng, Snap, Int, Flat	10	93-5974	3	8 Inch Foam Filled Wheel ASM
1:2	92-5583	1	Washer-Cap	10	93-9938	3	Wheel ASM
1:3	92-9726	1	Spring-Compression	10:1	93-9939	1	Tire
1:4	92-8861	1	Cap-HOC	10:2	68-8950	1	Tube-Inner (W/Valve)
2	100-8093	1	Side Castor Arm ASM	10:3	93-4241	1	Spacer-Bearing, Inner
2:2	69-6470	2	Bushing-Caster	10:4	108-9017	2	Bearing-Steel, Stainless
2:3	302-5	1	Fitting-Grease	10:6	32128-16	4	Nut-HHF
3	69-6860	2	Washer-Thrust	10:7	93-4242	1	Plate
4	69-1510	5	Spacer	10:8	93-4239	1	Rim-Wheel, Half
5	104-0762-01	1	Fork-Castor	10:9	93-5980	1	Hub
6	327-24	3	Screw-HH	10:10	95-2741	1	Rim-Wheel, Half
7	3296-53	3	Nut-Lock, NI	11	3256-24	5	Washer-Flat
8	104-8301	5	Nut-HF, NI				



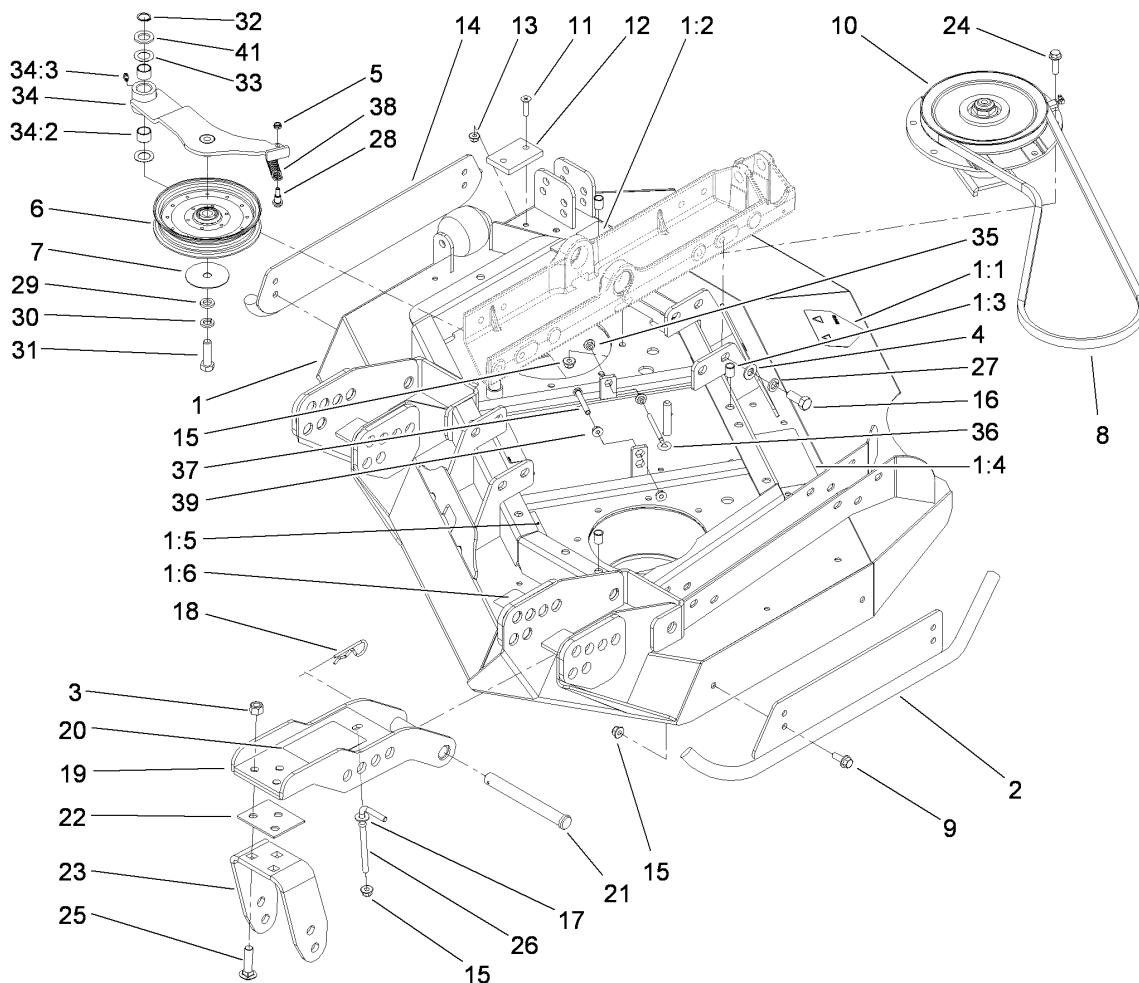
## Right and Left Hand Deck Spindle Installation Assembly

<i>Ref.</i>	<i>Part Number</i>	<i>Qty.</i>	<i>Description</i>
1	104-3529	1	Driving Spindle ASM
1:1	3296-60	1	Nut-Lock, NI
1:2	104-3545	1	Pulley-Driving
1:4	104-3552	1	Spindle Housing ASM
1:4:2	104-3549	1	Bearing Spacer Set
1:4:3	110-8297	1	Bearing ASM
1:4:4	253-154	2	Seal-Oil
1:4:5	302-60	1	Fitting-Grease
1:5	69-6950	1	Spacer-Shaft, Spindle
1:6	104-3554	1	Shaft-Spindle
1:7	104-8322	1	Washer-Hardened
1:8	106-7159	1	O-Ring
1:9	104-3544	1	Mount-Motor, Drive
2	323-6	4	Screw-HH
3	92-5608-03	2	Blade
4	72-9361	2	Cup-Scalp, Anti
5	92-5816	2	Bolt-Blade
6	3256-24	4	Washer-Flat



## Right Hand Deck Chamber and Cover Assembly

<i>Ref.</i>	<i>Part Number</i>	<i>Qty.</i>	<i>Description</i>
1	104-2203-01	1	Outer Chamber ASM
2	104-2204-01	1	Chamber-Inner
3	3230-18	11	Screw-CARR
4	3296-45	2	Nut-Hex
5	29-4820	2	Roller
6	325-17	2	Screw-HH
7	104-8300	11	Nut-HF, NI
8	107-3154	3	Nut-Push
9	100-5668-03	1	Plate-Cover, RH Side
10	3234-1	3	Screw-HHF
11	1-804254	7	Nut-Lock, HH
12	74-5950	7	Latch-Swell
13	100-5665-03	1	Plate-Cover, RH
14	100-5666	1	Cover-Motor, RH Deck

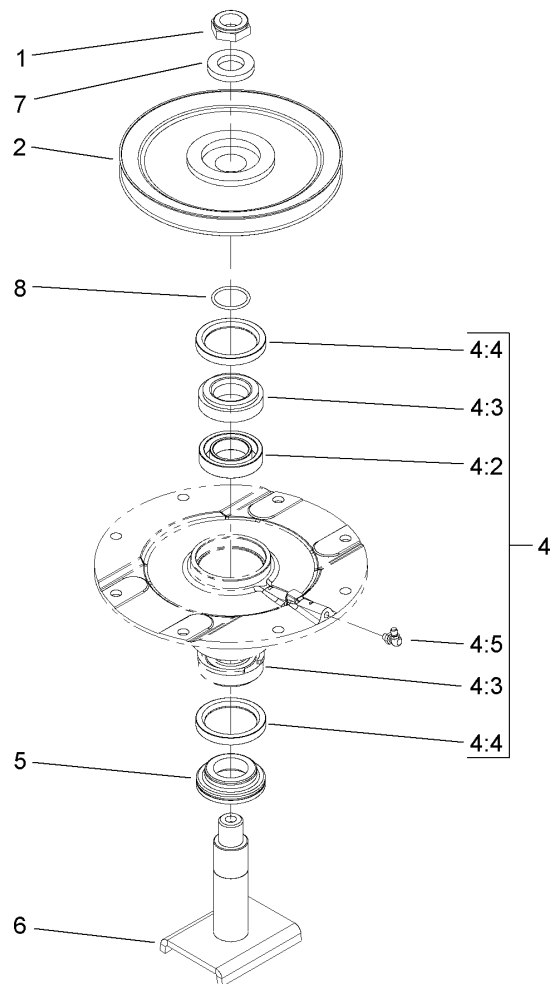


## Left Hand Deck, Idler and Skid Assembly

Ref.	Part Number	Qty.	Description
1	110-3296	1	Left Deck ASM
1:1	106-6753	1	Decal-Danger, CE
1:2	100-5693	1	Decal-Rear HOC, LH
1:3	32148-9	3	Nut-Clinch
1:4	100-5622	1	Decal-HOC
1:5	100-6578	3	Decal-Danger
1:6	93-7818	1	Decal-Torque, Blade Bolt
2	100-8125-01	1	LH Skid ASM
3	3296-45	6	Nut-Hex
4	3256-26	8	Washer-Flat
5	3296-56	1	Nut-Lock, NI
6	110-9596	1	Pulley-Idler
7	100-3102	1	Washer-Flat
8	108-8076	1	V-Belt, Deck
9	3234-42	4	Screw-HHF
10	104-3532	1	Low Driven Spindle ASM
11	32108-103	2	Screw-FH
12	69-9290	1	Pad-Bumper
13	104-8300	2	Nut-HF, NI
14	104-2250-01	1	Skid-Side
15	104-8301	18	Nut-HF, NI
16	325-5	8	Screw-HH
17	3256-3	2	Washer-Flat
18	3290-343	4	Pin-Hair

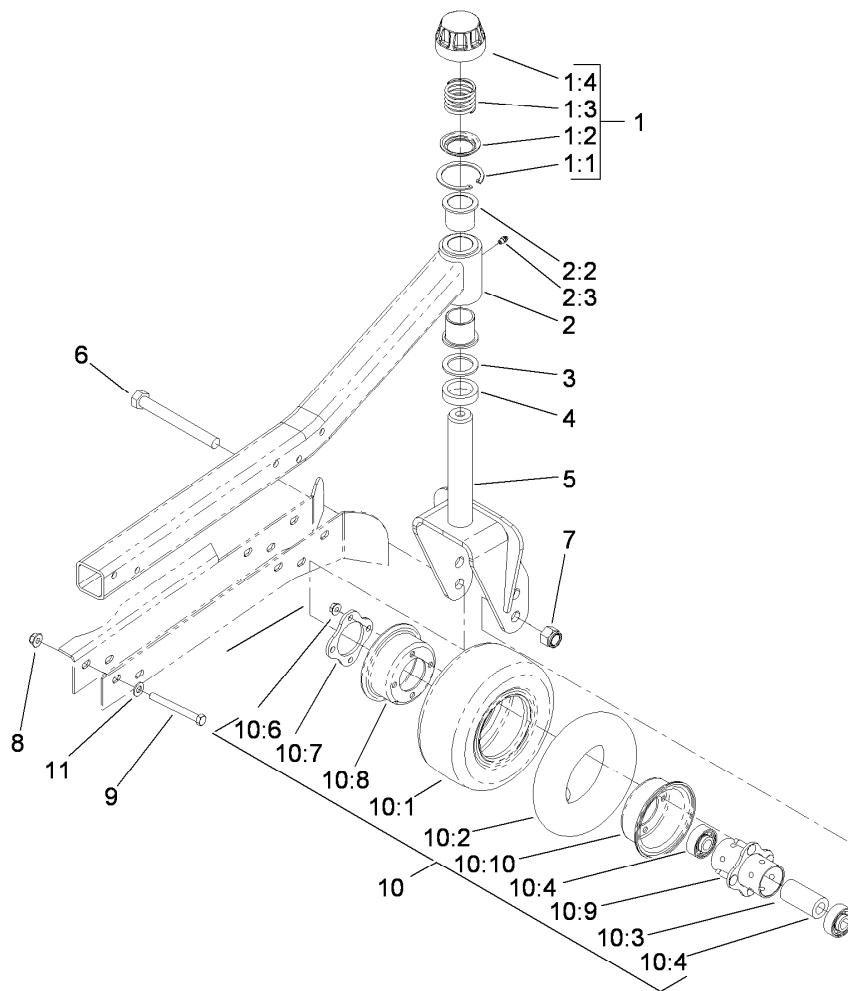
Ref.	Part Number	Qty.	Description
19	104-7529-01	2	Bracket-Castor
20	104-3579	1	Decal-HOC
21	100-5569	4	Pin-Clevis
22	104-7524	8	Shim
23	104-7525-01	2	Bracket-Fork
24	3234-24	12	Screw-HHF
25	3233-4	6	Screw-CARR
26	106-2047	2	Rod-Tension
27	3253-7	8	Washer-Lock
28	104-0858	1	Bolt-Shoulder
29	9202424	1	Spacer
30	3253-7	1	Washer-Lock
31	325-7	1	Screw-HH
32	32120-72	1	Ring-Snap
33	3-6498	2	Washer-Thrust
34	110-6128	1	Idler Arm ASM
34:2	256-76	2	Bushing
34:3	302-5	1	Fitting-Grease
35	32128-14	2	Nut-HF
36	68-0090	1	Screw-Adjusting
37	9114524	1	Bolt-TAP, HH
38	107938	1	Spring-Extension
39	32128-26	2	Nut-HF
41	70-1160	1	Washer





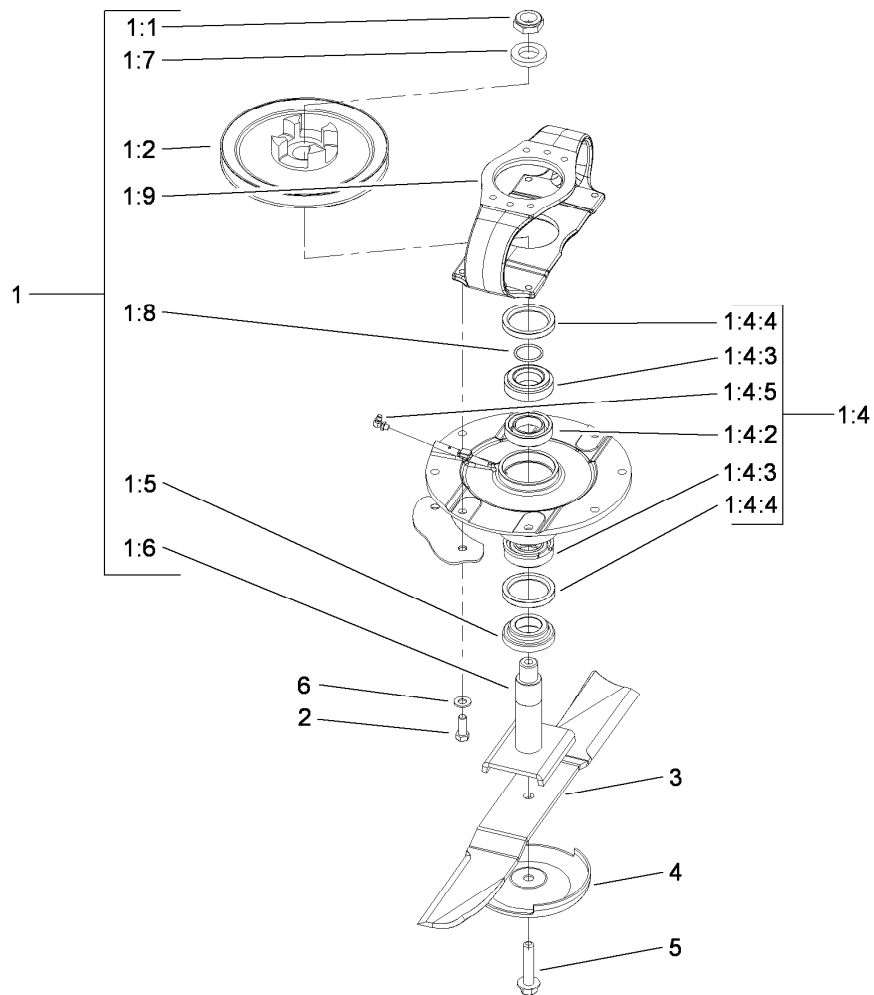
## Low Driven Idler Assembly No. 104-3532

<i>Ref.</i>	<i>Part Number</i>	<i>Qty.</i>	<i>Description</i>
1	3296-60	1	Nut-Lock, NI
2	104-3546	1	Pulley-Driven, Low
4	104-3552	1	Spindle Housing ASM
4:2	104-3549	1	Bearing Spacer Set
4:3	110-8297	1	Bearing ASM
4:4	253-154	2	Seal-Oil
4:5	302-60	1	Fitting-Grease
5	69-6950	1	Spacer-Shaft, Spindle
6	104-3554	1	Shaft-Spindle
7	104-8322	1	Washer-Hardened
8	106-7159	1	O-Ring



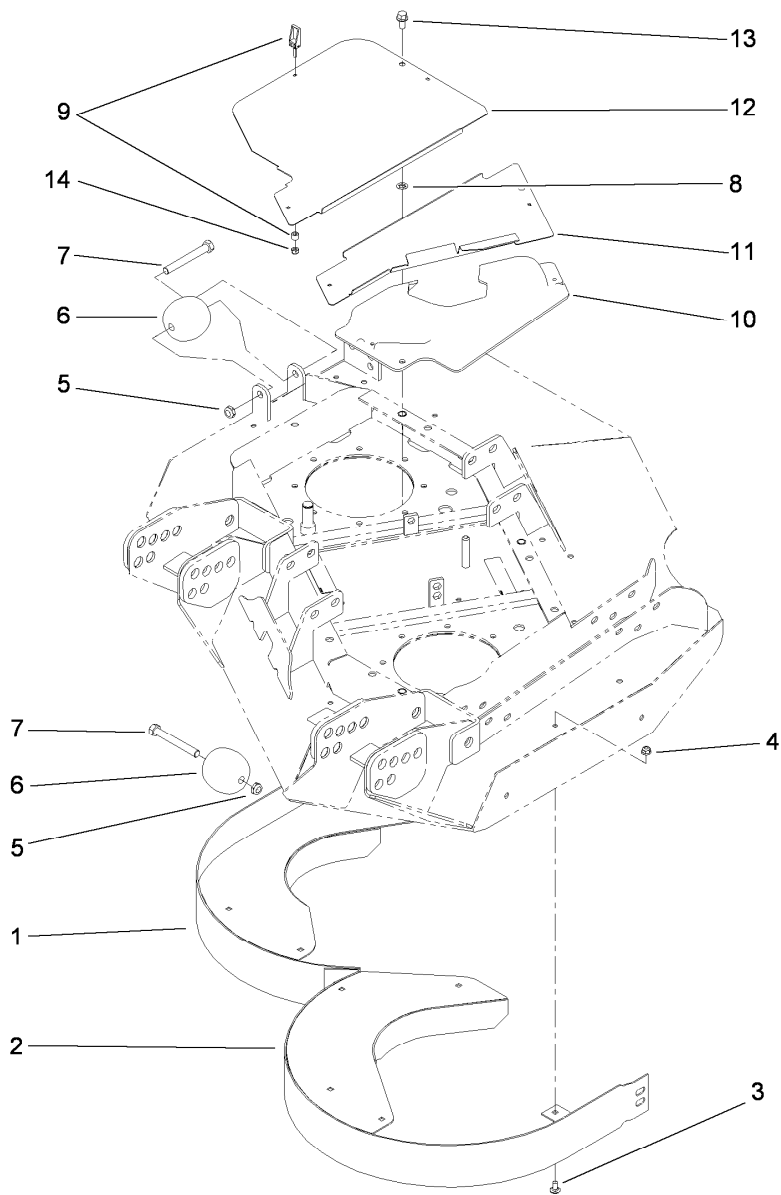
## Right and Left Hand Caster Arm and Wheel Assembly

Ref.	Part Number	Qty.	Description	Ref.	Part Number	Qty.	Description
1	92-9727	1	HOC Cap ASM	9	323-20	5	Screw-HH
1:1	92-5581	1	Ring-Rtng, Snap, Int, Flat	10	93-5974	3	8 Inch Foam Filled Wheel ASM
1:2	92-5583	1	Washer-Cap	10	93-9938	3	Wheel ASM
1:3	92-9726	1	Spring-Compression	10:1	93-9939	1	Tire
1:4	92-8861	1	Cap-HOC	10:2	68-8950	1	Tube-Inner (W/Valve)
2	100-8093	1	Side Castor Arm ASM	10:3	93-4241	1	Spacer-Bearing, Inner
2:2	69-6470	2	Bushing-Caster	10:4	108-9017	2	Bearing-Steel, Stainless
2:3	302-5	1	Fitting-Grease	10:6	32128-16	4	Nut-HHF
3	69-6860	2	Washer-Thrust	10:7	93-4242	1	Plate
4	69-1510	5	Spacer	10:8	93-4239	1	Rim-Wheel, Half
5	104-0762-01	1	Fork-Castor	10:9	93-5980	1	Hub
6	327-24	3	Screw-HH	10:10	95-2741	1	Rim-Wheel, Half
7	3296-53	3	Nut-Lock, NI	11	3256-24	5	Washer-Flat
8	104-8301	5	Nut-HF, NI				



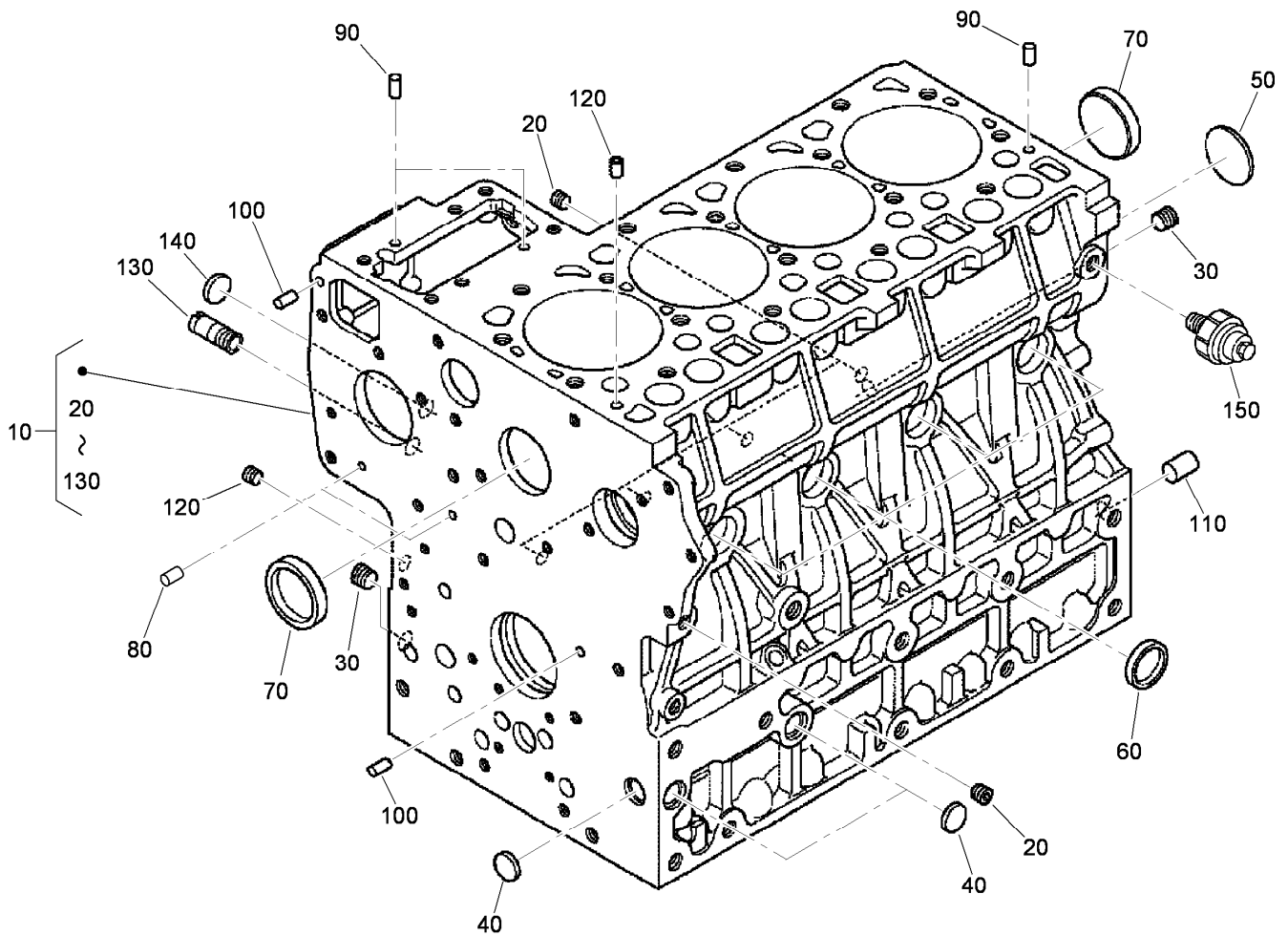
## Right and Left Hand Deck Spindle Installation Assembly

<i>Ref.</i>	<i>Part Number</i>	<i>Qty.</i>	<i>Description</i>
1	104-3529	1	Driving Spindle ASM
1:1	3296-60	1	Nut-Lock, NI
1:2	104-3545	1	Pulley-Driving
1:4	104-3552	1	Spindle Housing ASM
1:4:2	104-3549	1	Bearing Spacer Set
1:4:3	110-8297	1	Bearing ASM
1:4:4	253-154	2	Seal-Oil
1:4:5	302-60	1	Fitting-Grease
1:5	69-6950	1	Spacer-Shaft, Spindle
1:6	104-3554	1	Shaft-Spindle
1:7	104-8322	1	Washer-Hardened
1:8	106-7159	1	O-Ring
1:9	104-3544	1	Mount-Motor, Drive
2	323-6	4	Screw-HH
3	92-5608-03	2	Blade
4	72-9361	2	Cup-Scalp, Anti
5	92-5816	2	Bolt-Blade
6	3256-24	4	Washer-Flat



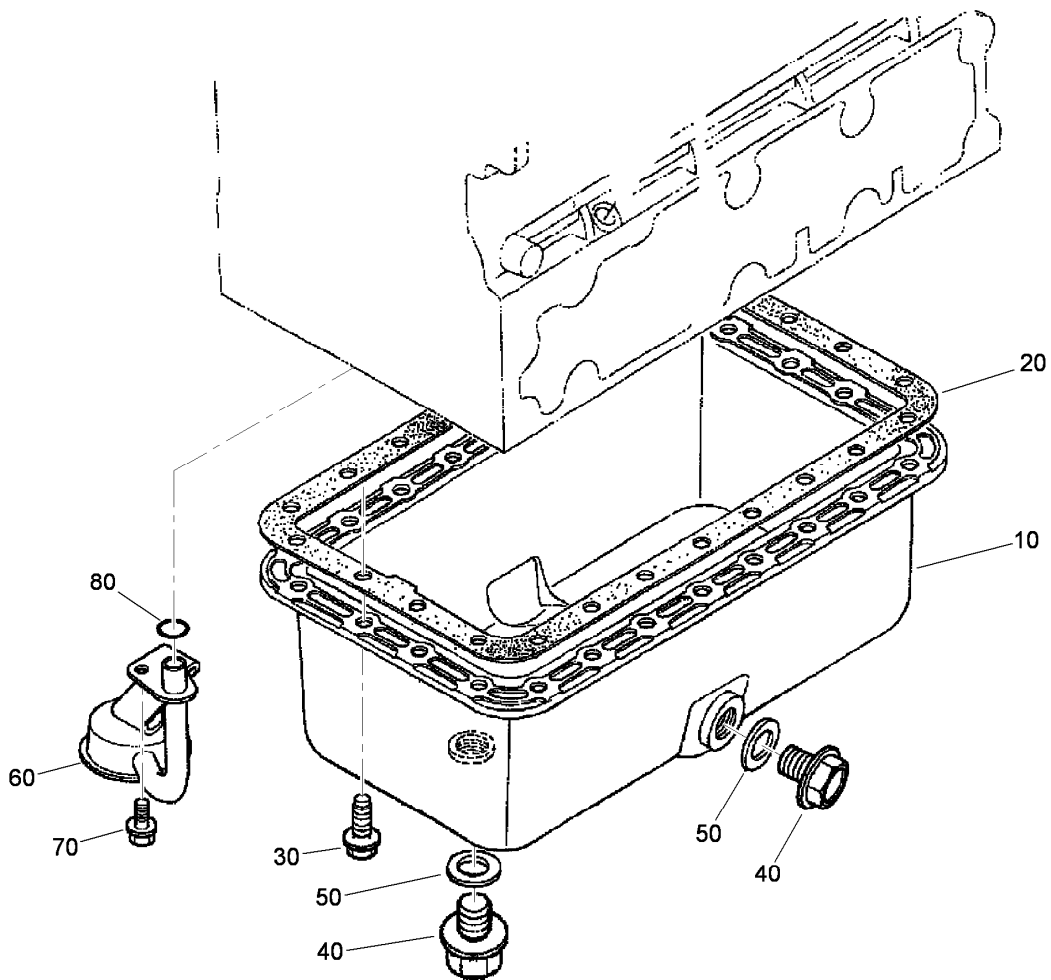
## Left Hand Deck Chamber and Cover Assembly

<i>Ref.</i>	<i>Part Number</i>	<i>Qty.</i>	<i>Description</i>
1	104-2205-01	1	Chamber-Inner
2	104-2206-01	1	Outer Chamber ASM
3	3230-18	9	Screw-CARR
4	104-8300	9	Nut-HF, NI
5	3296-45	2	Nut-Hex
6	29-4820	2	Roller
7	325-17	2	Screw-HH
8	107-3154	3	Nut-Push
9	74-5950	7	Latch-Swell
10	100-5669	1	Cover-Motor, LH Deck
11	100-5664-03	1	Plate-Cover, LH
12	100-5667-03	1	Plate-Cover, LH Side
13	3234-1	3	Screw-HHF
14	1-804254	7	Nut-Lock, HH



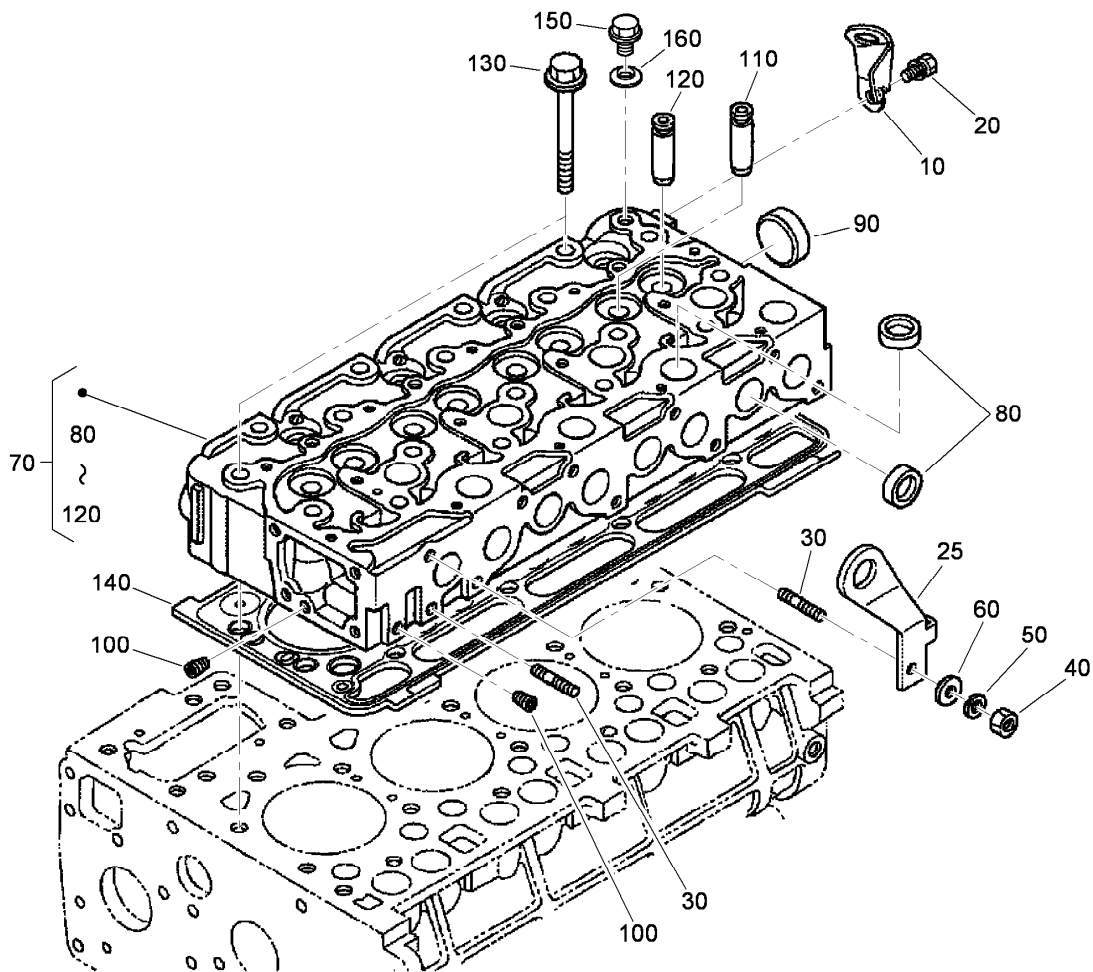
## Crankcase Assembly

<i>Ref.</i>	<i>Part Number</i>	<i>Qty.</i>	<i>Description</i>
10	115-8500	1	Crankcase ASM
20	98-7487	2	Plug
30	107-0107	6	Plug
40	98-9379	2	Plug-Expansion
50	98-9668	3	Plug-Expansion
60	98-7500	6	Cap-Sealing
70	98-7501	2	Cap-Sealing
80	98-7502	2	Pin-Straight
90	98-7503	2	Pin-Straight
100	98-7504	2	Pin-Straight
110	98-7505	1	Pin-Straight
120	98-7506	1	Pin-Pipe
130	100-9153	1	Pipe-Return, Water
140	100-2020	1	Cap-Sealing
150	98-9416	1	Switch-Oil



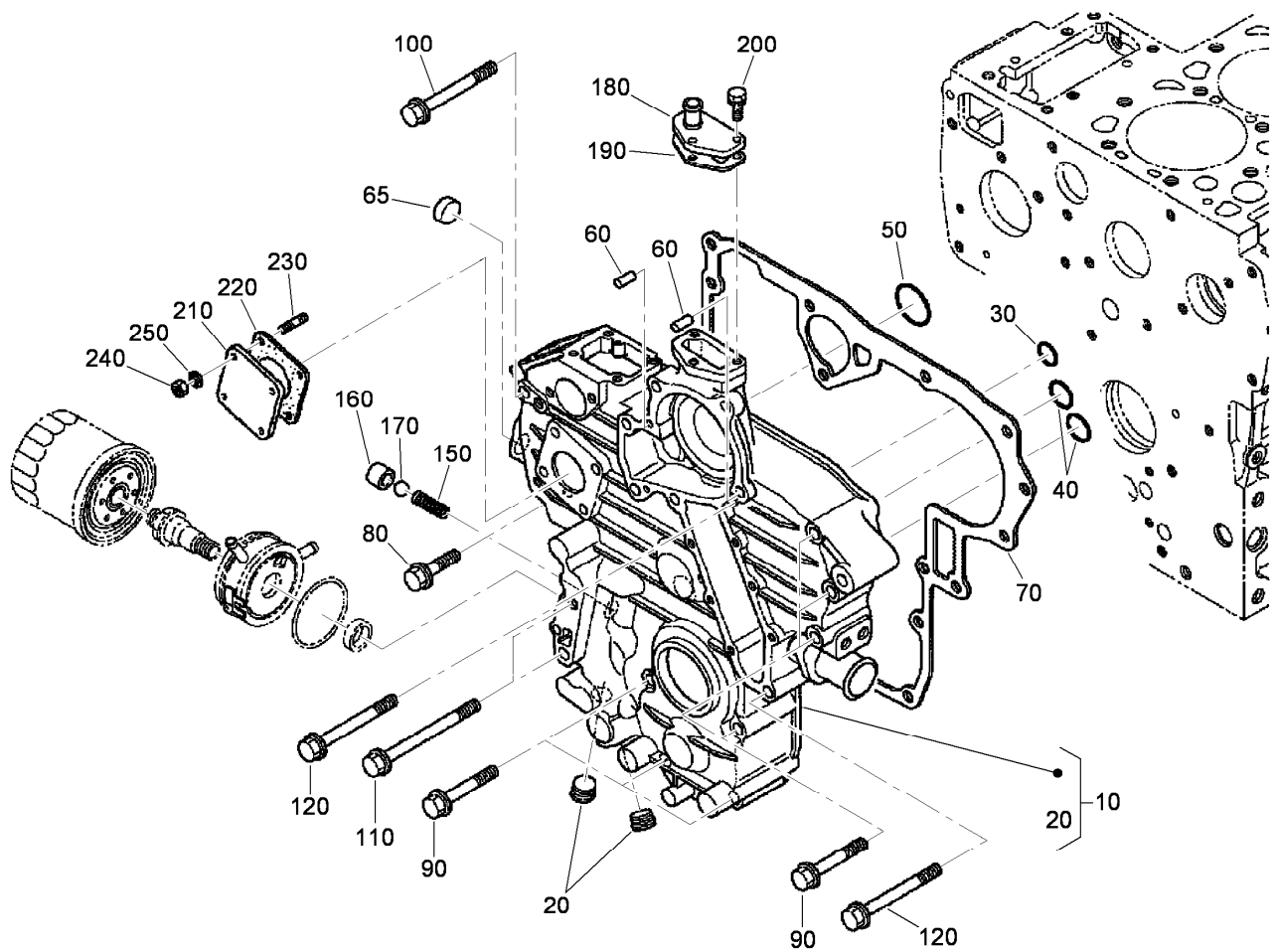
## Oil Pan Assembly

<i>Ref.</i>	<i>Part Number</i>	<i>Qty.</i>	<i>Description</i>
10	115-8501	1	Oil Pan ASM
20	108-7053	1	Gasket-Pan, Oil
30	115-8502	24	Bolt-Flange
40	98-9686	2	Plug-Drain
50	98-9399	2	Gasket
60	115-8503	1	Filter-Oil
70	115-8504	1	Bolt-Flange
80	108-7054	1	O-Ring



## Cylinder Head Assembly

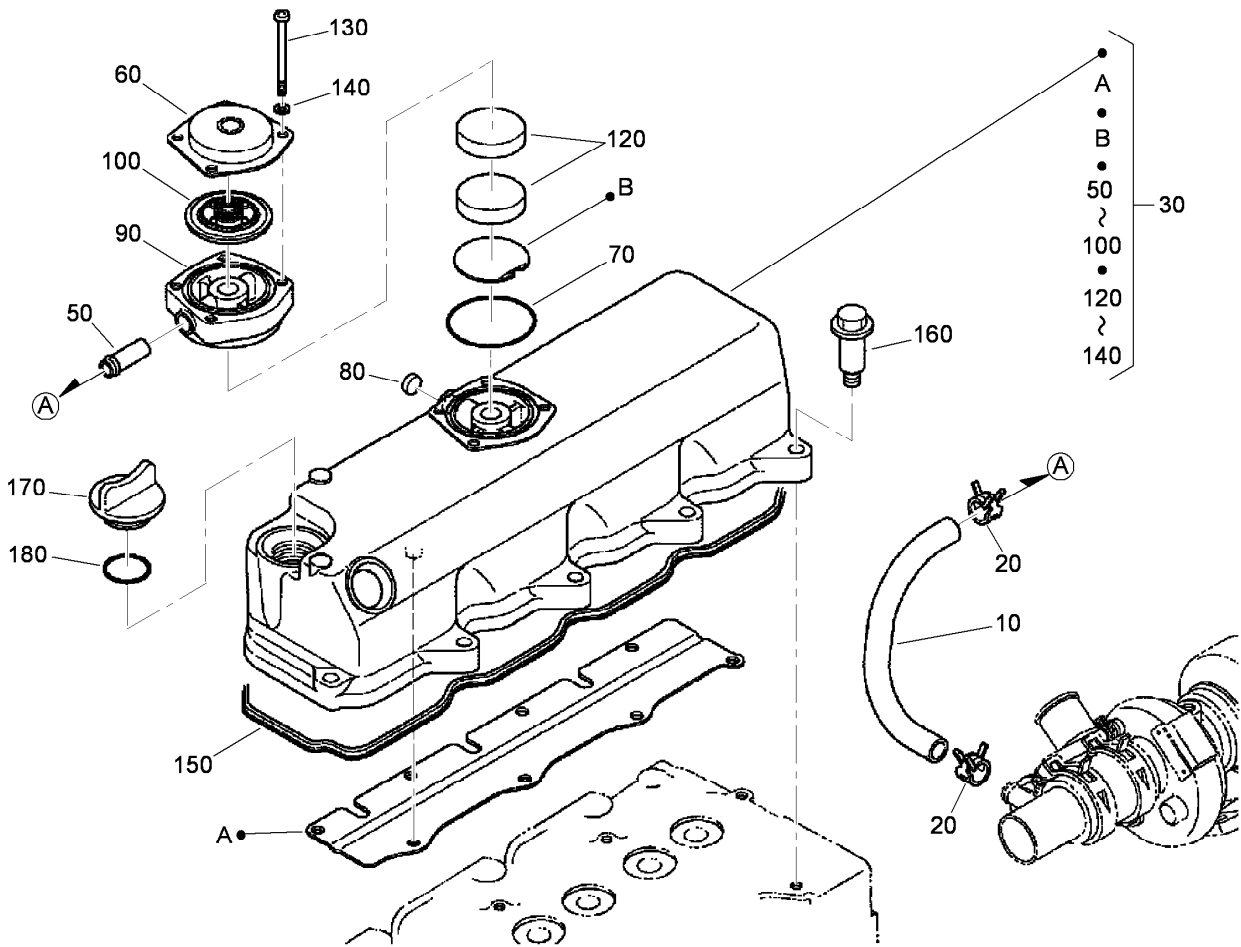
<i>Ref.</i>	<i>Part Number</i>	<i>Qty.</i>	<i>Description</i>
10	98-7530	1	Hook-Engine
20	98-7526	1	Bolt
25	115-8505	1	Hook
30	115-8506	2	Stud
40	98-7534	1	Nut
50	105-2893	1	Washer-Spring
60	98-7536	1	Washer-Plain
70	115-8507	1	Head-Cylinder
80	98-7538	12	Cap-Sealing
90	98-7539	1	Cap-Sealing
100	98-7540	2	Plug
110	98-7541	4	Guide-Valve, Intake
120	115-8508	4	Guide-Valve, Exhaust
130	98-7543	18	Bolt-Head, Cylinder
140	115-8647	1	Gasket-Head, Cylinder (1.15Mm)
140	115-8510	1	Gasket-Head, Cylinder (1.25Mm)
140	115-8511	1	Gasket-Head, Cylinder (1.30Mm)
140	115-8512	1	Gasket-Head, Cylinder (1.35Mm)
150	115-8509	1	Gasket-Head, Cylinder (1.20Mm)
150	98-7762	1	Plug
160	98-7763	1	Washer-W/Rubber



## Gear Case Assembly

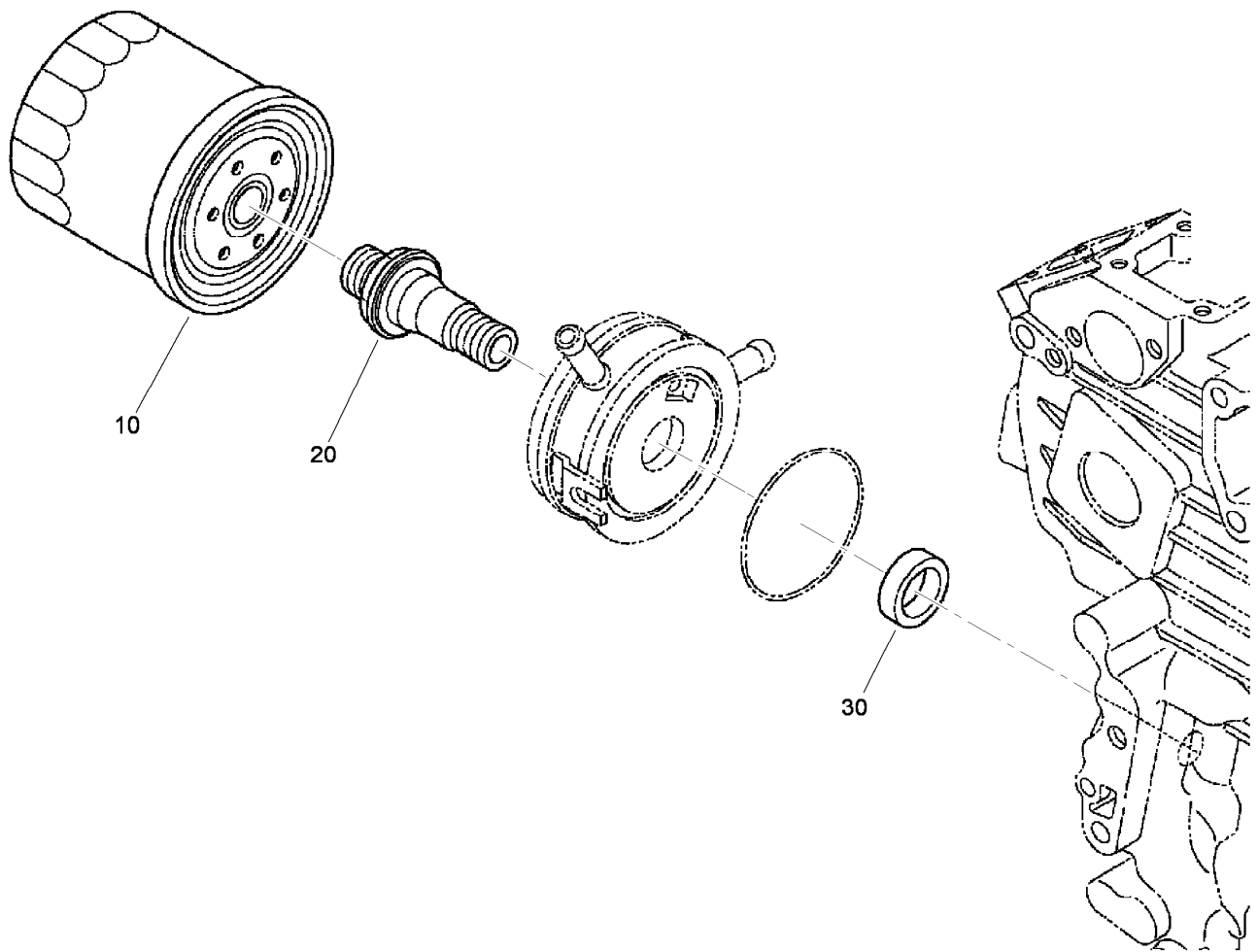
<i>Ref.</i>	<i>Part Number</i>	<i>Qty.</i>	<i>Description</i>
10	115-8513	1	Gear Case ASM
20	98-9598	2	Plug
30	107-0104	1	O-Ring
40	115-8514	2	O-Ring
50	107-0106	1	O-Ring
60	98-7504	2	Pin-Straight
65	115-8515	1	Cap-Sealing
70	115-8516	1	Gasket-Case, Gear
80	108-7085	1	Bolt-Flange
90	115-8517	7	Bolt-Flange
100	115-8518	1	Bolt-Flange
110	115-8519	2	Bolt-Flange
120	115-8520	4	Bolt-Flange
150	98-7563	1	Spring
160	98-7564	1	Seat-Valve
170	98-7565	1	Ball
180	98-7566	1	Flange-Return, Water
190	115-8521	1	Gasket-Flange, Return
200	98-7568	3	Bolt
210	98-7569	1	Cover
220	115-8522	1	Gasket-Meter, Hour
230	98-7571	4	Stud
240	98-7572	4	Nut
250	98-9367	4	Washer-Spring





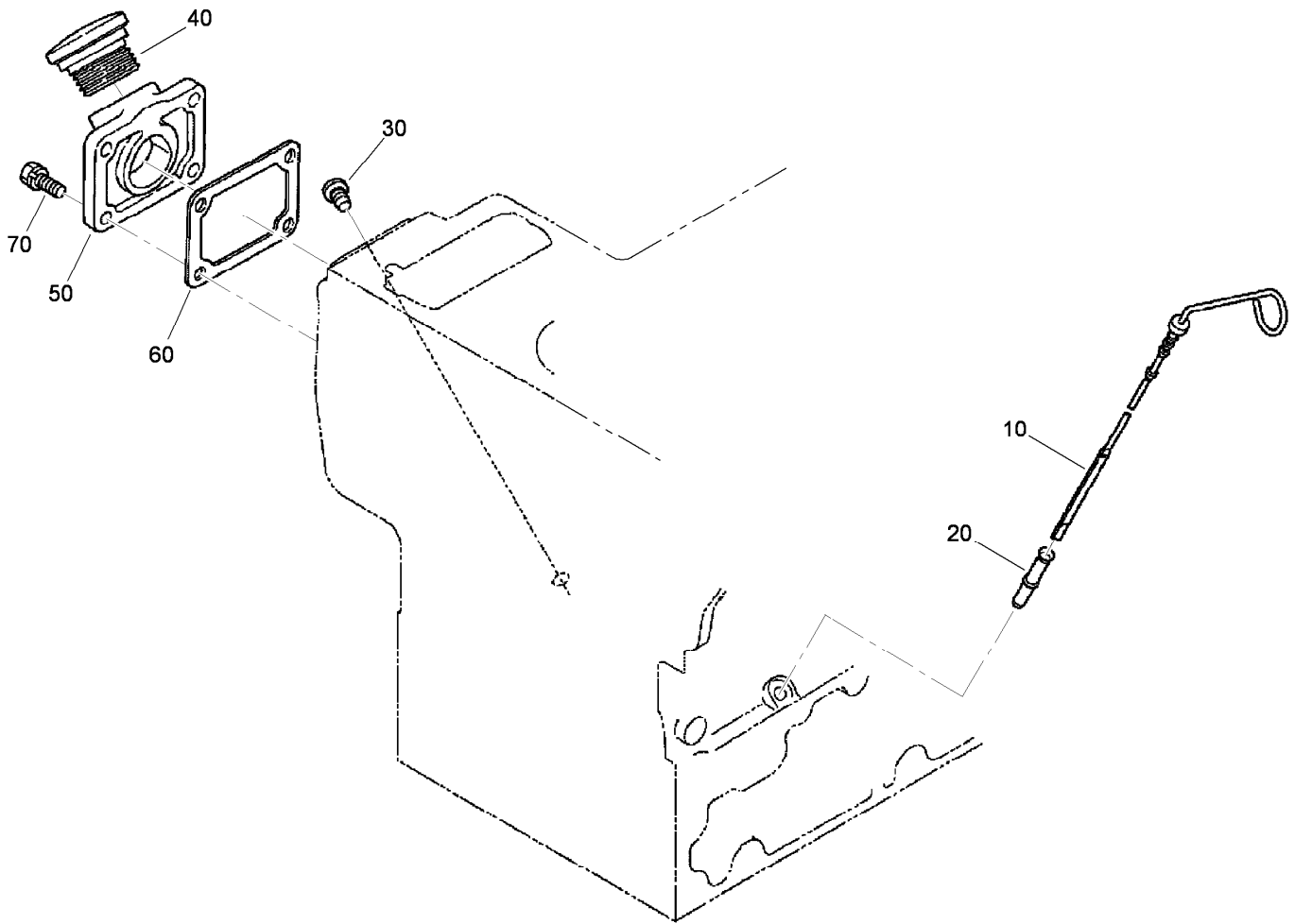
## Cylinder Head Cover Assembly

Ref.	Part Number	Qty.	Description
10	115-8523	1	Tube-Breather, Turbo
20	115-8524	2	Clamp-Hose
30	115-8525	1	Cylinder Head Cover ASM
50	98-7766	1	Pipe-Return, Water
60	110-3714	1	Cover-Breather
70	108-7061	1	O Ring-Breather
80	115-3042	1	Cap-Sealing
90	115-8526	1	Spacer-Breather
100	110-3715	1	Valve-Breather
120	98-9493	2	Element-Breather
130	115-3044	4	Screw-Pan Head
140	100-2204	4	Washer-Spring
150	108-7062	1	Gasket-Cover, Head
160	108-7063	10	Bolt
170	98-9449	1	Plug-Filler, Oil
180	108-7064	1	O-Ring



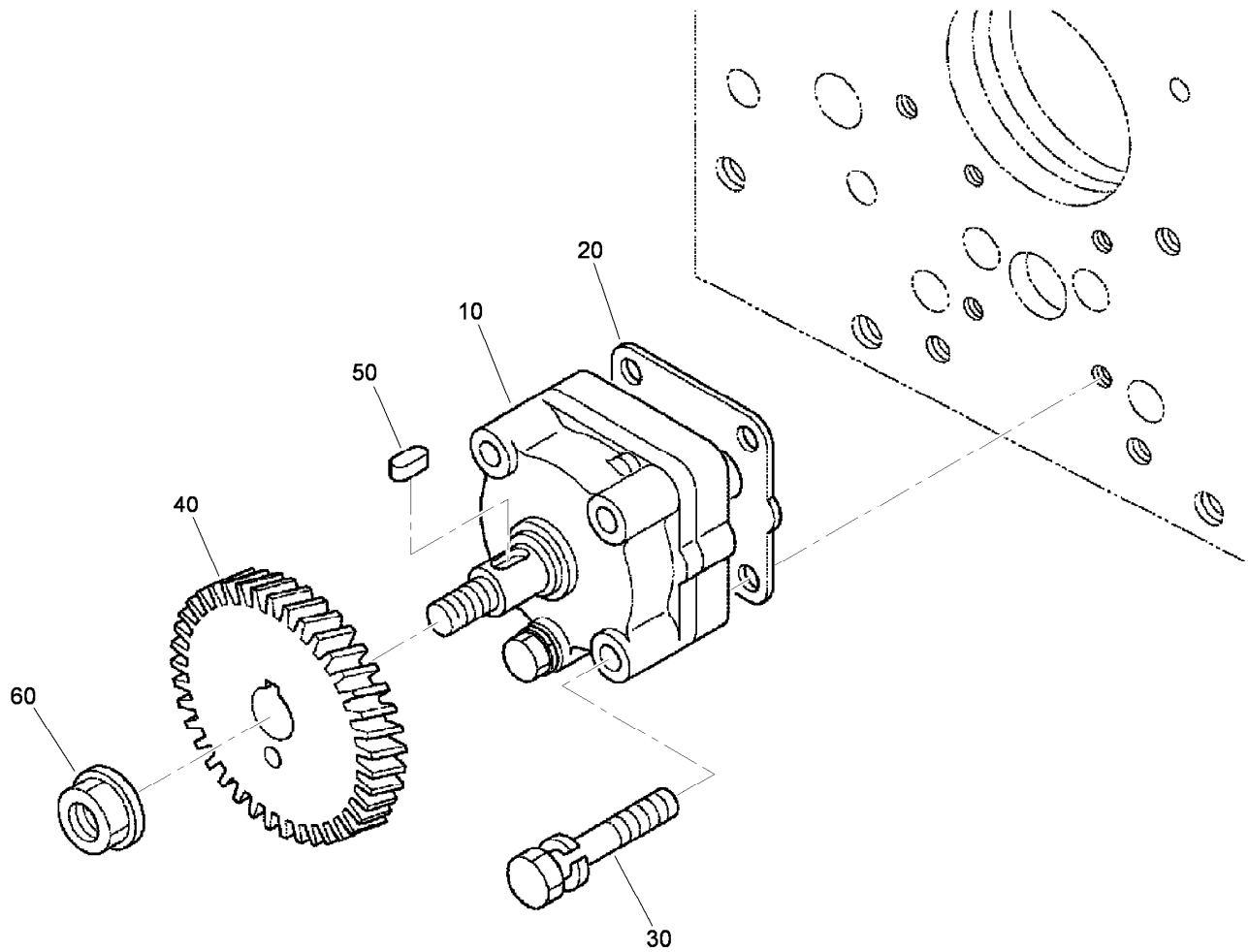
## Oil Filter Assembly

<i>Ref.</i>	<i>Part Number</i>	<i>Qty.</i>	<i>Description</i>
10	115-8527	1	Cartridge-Filter, Oil
20	115-8528	1	Connector
30	115-8529	1	Collar



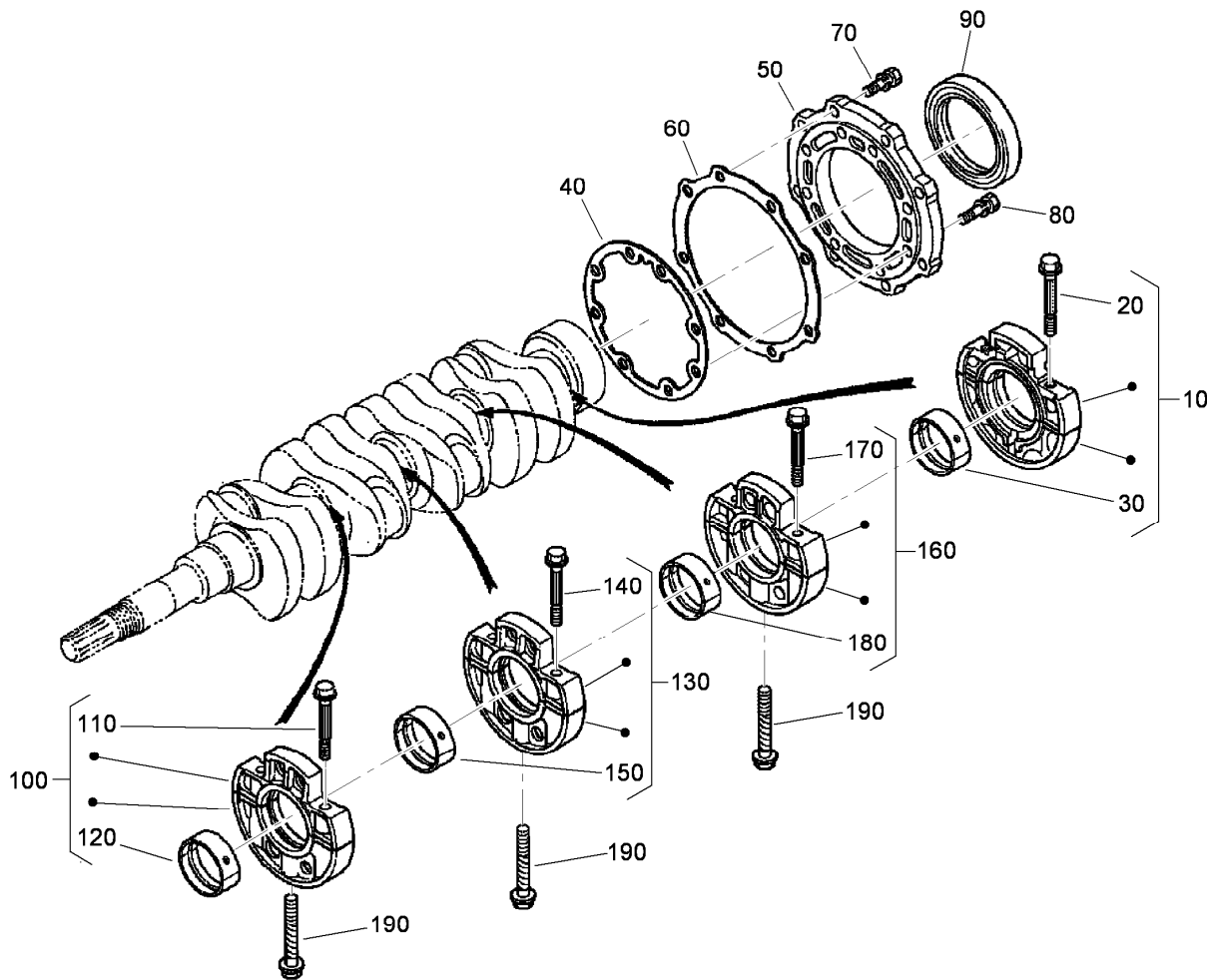
## Dipstick and Guide Assembly

<i>Ref.</i>	<i>Part Number</i>	<i>Qty.</i>	<i>Description</i>
10	115-8530	1	Gauge-Oil
20	105-4580	1	Guide-Gauge, Oil
30	110-3720	1	Plug-Gauge, Oil
40	115-8531	1	Plug-Filler, Oil
50	115-8532	1	Flange-Filler, Oil
60	98-7604	1	Gasket-Cover, Pump
70	98-7605	4	Bolt



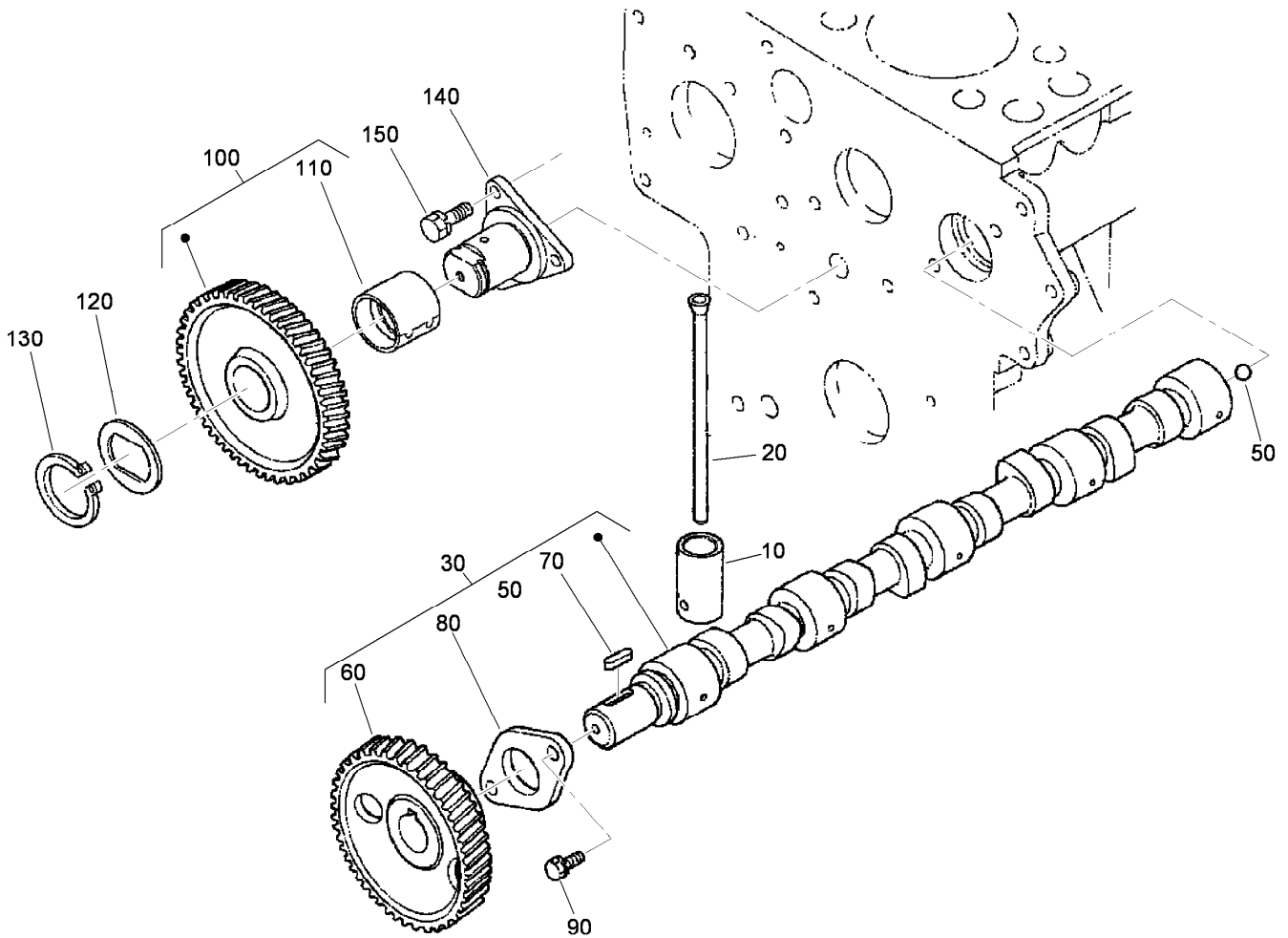
## Oil Pump Assembly

<i>Ref.</i>	<i>Part Number</i>	<i>Qty.</i>	<i>Description</i>
10	98-7512	1	Oil Pump ASM
20	98-7513	1	Gasket-Pump, Oil
30	105-3797	4	Bolt
40	115-8533	1	Gear-Drive, Oil Pump
50	98-7517	1	Key-Feather
60	98-7518	1	Nut-Flange



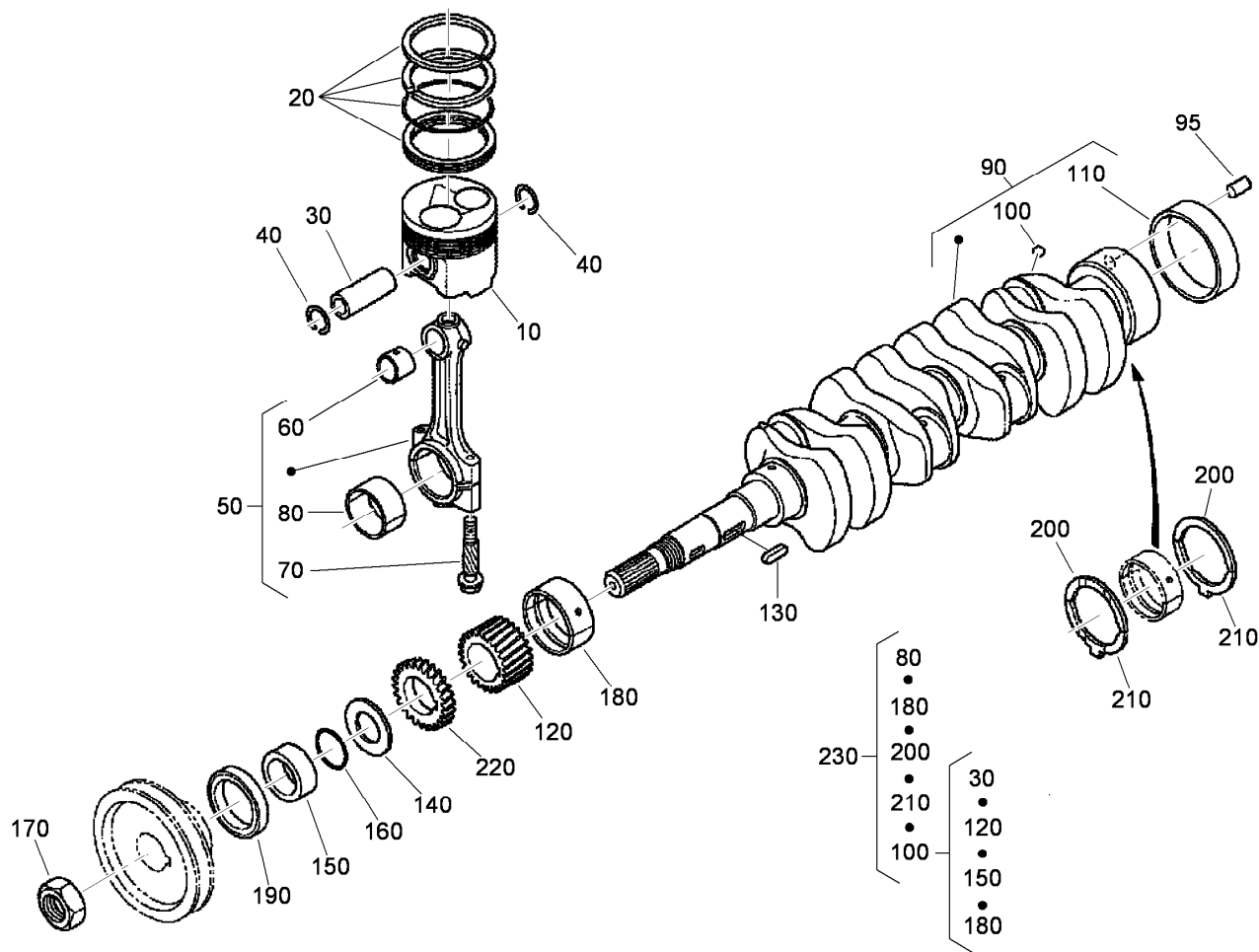
## Main Bearing Case Assembly

<i>Ref.</i>	<i>Part Number</i>	<i>Qty.</i>	<i>Description</i>	<i>Ref.</i>	<i>Part Number</i>	<i>Qty.</i>	<i>Description</i>
10	115-8534	1	Wheel Bearing Case ASM	120	108-7069	1	Metal-Crankshaft (-0.40MM)
20	108-7066	2	Bolt-Case, Bearing	120	108-7068	1	Metal-Crankshaft (-0.20MM)
30	108-7068	1	Metal-Crankshaft (-0.20MM)	120	108-7067	1	Metal-Crankshaft (STD)
30	108-7067	1	Metal-Crankshaft (STD)	130	108-7074	1	Main Bearing Case ASM
30	108-7069	1	Metal-Crankshaft (-0.40MM)	140	108-7066	2	Bolt-Case, Bearing
40	108-7070	1	Gasket-Case, Bearing	150	108-7069	1	Metal-Crankshaft (-0.40MM)
50	108-7071	1	Cover-Case, Bearing	150	108-7068	1	Metal-Crankshaft (-0.20MM)
60	98-7437	1	Gasket-Case Cover, Bearing	150	108-7067	1	Metal-Crankshaft (STD)
70	98-7438	8	Bolt	160	115-8536	1	Main Bearing Case ASM
80	98-7439	8	Bolt	170	108-7066	2	Bolt-Case, Bearing
90	108-7072	1	Seal-Oil	180	108-7067	1	Metal-Crankshaft (STD)
100	115-8535	1	Main Bearing Case ASM	180	108-7068	1	Metal-Crankshaft (-0.20MM)
110	108-7066	2	Bolt-Case, Bearing	180	108-7069	1	Metal-Crankshaft (-0.40MM)
				190	98-7444	3	Bolt-Case, Bearing



## Cam Shaft and Idle Gear Assembly

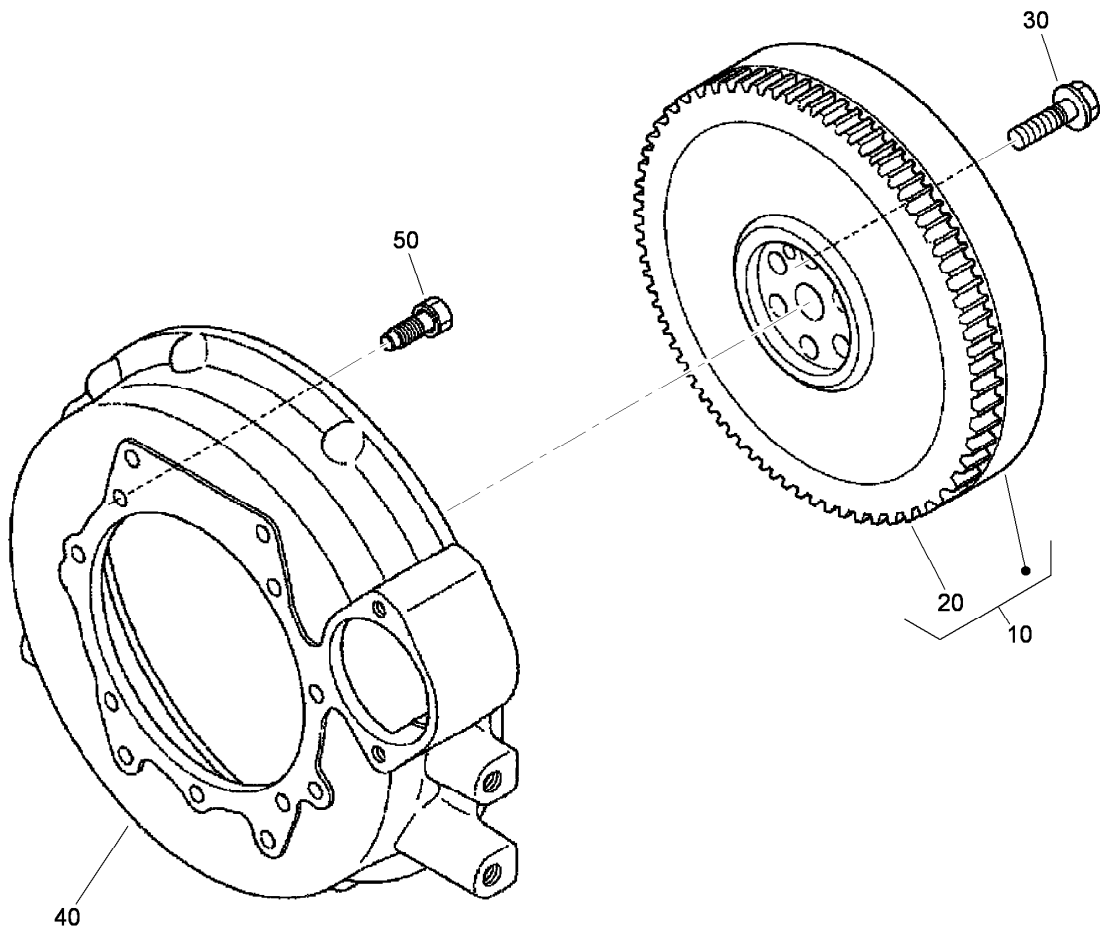
<i>Ref.</i>	<i>Part Number</i>	<i>Qty.</i>	<i>Description</i>
10	98-7445	8	Tappet
20	115-8537	8	Rod-Push
30	115-8538	1	Camshaft ASM
50	110-3729	1	Ball
60	115-8539	1	Gear-Cam
70	98-7451	1	Key-Feather
80	98-7452	1	Stopper-Camshaft
90	98-7453	2	Bolt
100	107-0109	1	Gear-Idler
110	107-0110	1	Bushing-Gear, Idler
120	107-0111	1	Collar
130	107-0112	1	Circlip-External
140	115-8646	1	Shaft-Gear, Idler
150	98-7453	3	Bolt



## Piston and Crankshaft Assembly

Ref.	Part Number	Qty.	Description
10	115-8540	4	Piston
10	115-8541	4	Piston
20	115-8543	1	Piston Ring ASM
20	115-8542	4	Piston Ring ASM
30	115-8544	4	Pin-Piston
40	112-7002	8	Circlip
50	115-8545	4	Connecting Rod ASM
60	115-8546	4	Bushing-Pin, Piston
70	98-7468	8	Bolt-Rod, Connecting
80	98-7469	4	Metal-Crankpin (STD)
80	115-8548	4	Metal-Crankpin (-0.40Mm)
80	115-8547	4	Metal-Crankpin (-0.20Mm)
90	115-8549	1	*obs* Crankshaft
95	115-8550	1	Pin-Straight
100	110-3729	4	Ball
110	98-7474	1	Sleeve-Crankshaft
120	115-8551	1	Gear-Crank
130	115-8552	1	Key-Feather
140	98-7476	1	Slinger-Oil

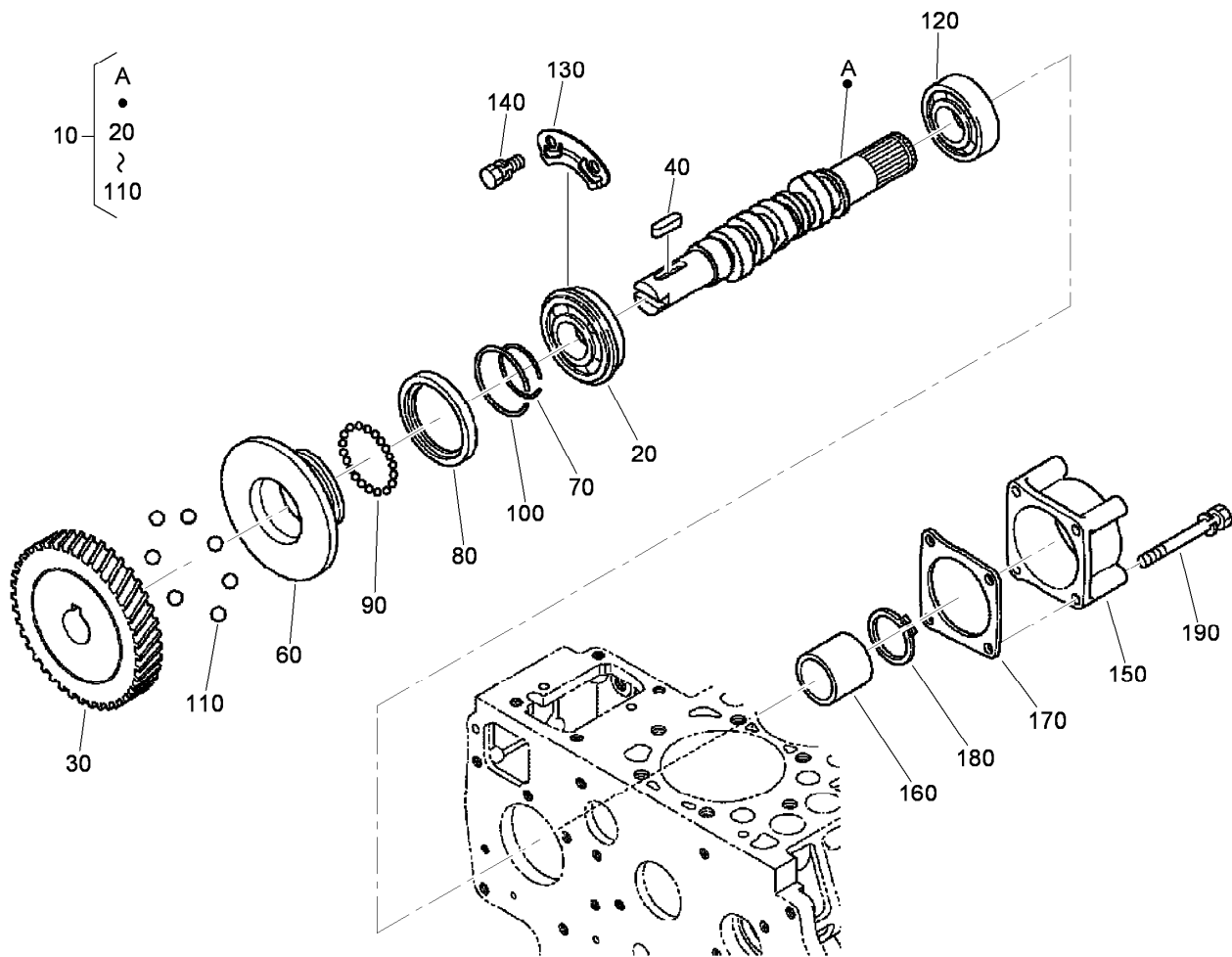
Ref.	Part Number	Qty.	Description
150	98-7477	1	Collar-Crankshaft
160	98-7478	1	O-Ring
170	98-7479	1	Nut-Crankshaft
180	108-7075	1	Metal-Crankshaft (STD)
180	108-7076	1	Metal-Crankshaft (-0.20MM)
180	108-7077	1	Metal-Crankshaft (-0.40MM)
190	98-7480	1	Seal-Oil
200	108-7078	2	Metal-Side (STD)
200	108-7079	2	Metal-Side (+0.20MM)
200	108-7080	2	Metal-Side (+0.40MM)
210	108-7081	2	Metal-Side (STD)
210	108-7082	2	Metal-Side (+0.20MM)
210	108-7083	2	Metal-Side (+0.40MM)
220	115-8553	1	Gear-Drive, Oil Pump
230	115-8554	1	Engine Metal Kit
230	115-8555	1	Engine Metal Kit (-0.20Mm/+0.20Mm)
230	115-8556	1	Engine Metal Kit (-0.40Mm/+0.40Mm)



## Flywheel Assembly

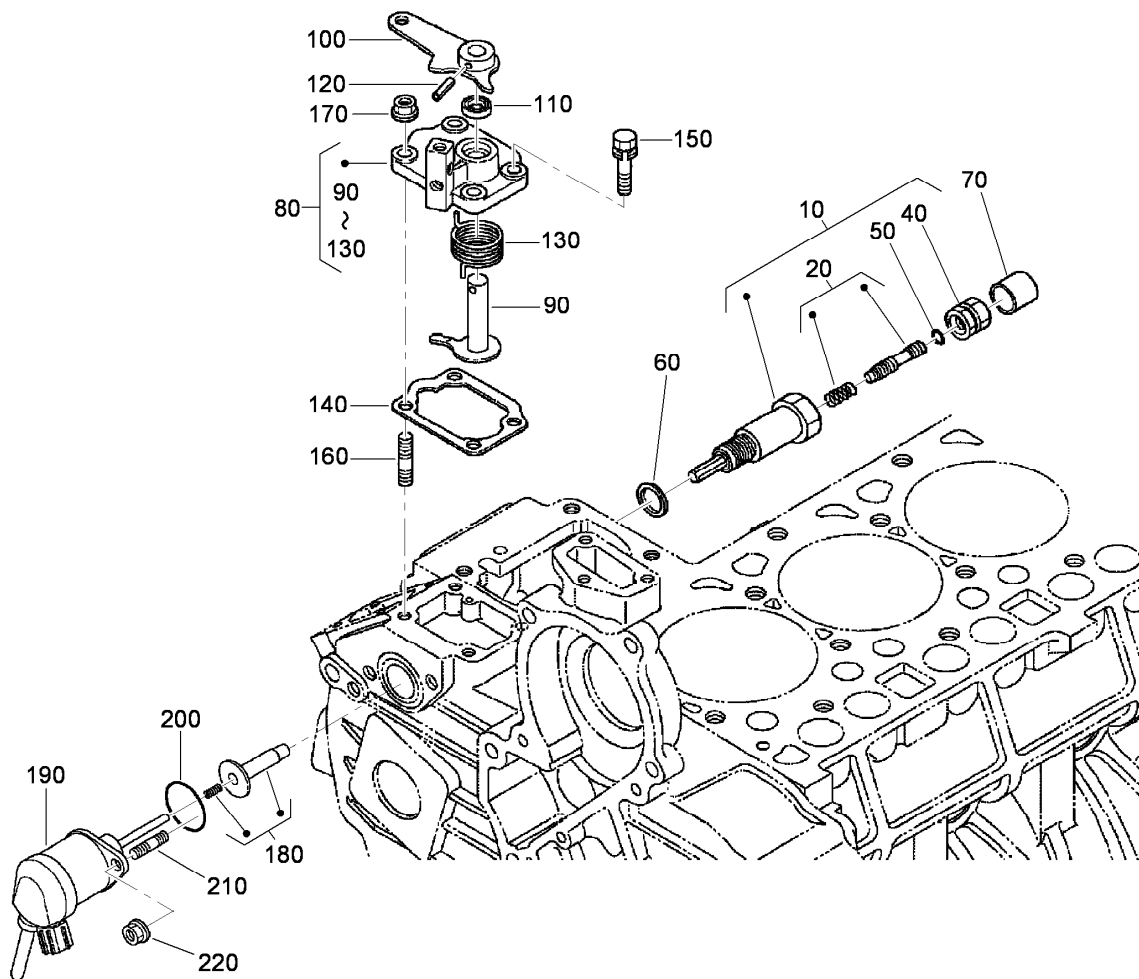
<i>Ref.</i>	<i>Part Number</i>	<i>Qty.</i>	<i>Description</i>
10	115-8557	1	Flywheel ASM
20	115-8558	1	Gear-Ring
30	112-8408	6	Bolt-Flywheel
40	115-8559	1	Housing-Flywheel
50	98-7885	11	Bolt





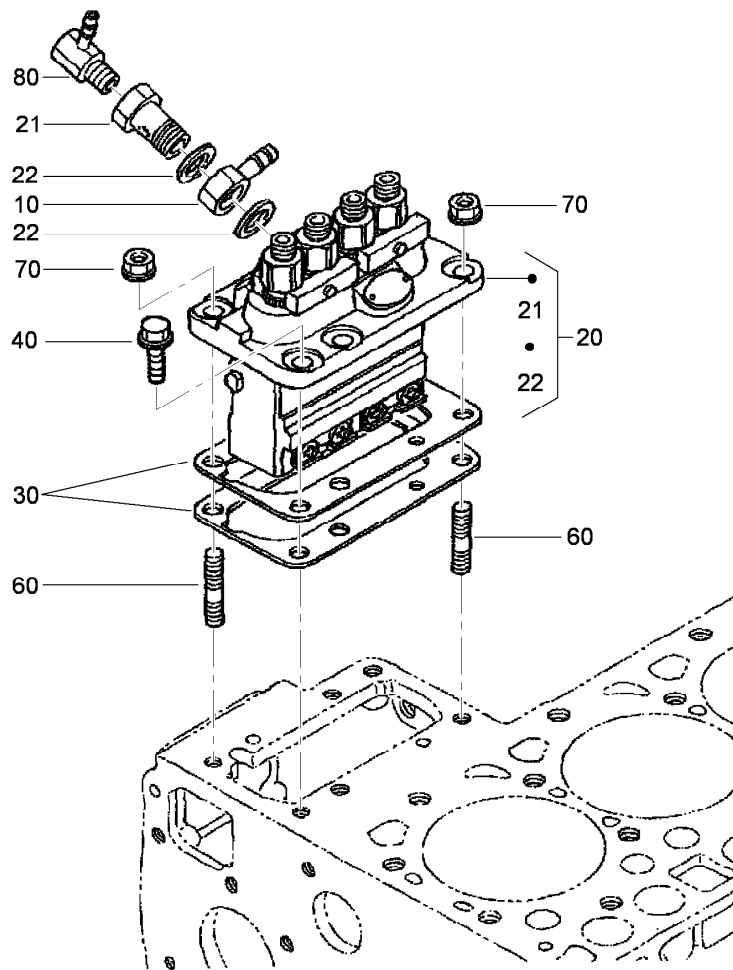
## Fuel Camshaft and Governor Shaft Assembly

<i>Ref.</i>	<i>Part Number</i>	<i>Qty.</i>	<i>Description</i>
10	115-8560	1	Fuel Camshaft ASM
20	115-8561	1	Bearing-Ball
30	98-7574	1	Gear-Pump, Injection
40	98-7575	1	Key-Feather
60	98-7577	1	Sleeve-Governor
70	98-7578	1	Circlip-Sleeve, Governor
80	98-7579	1	Case-Ball, Governor
90	98-7580	39	Ball
100	98-7581	1	Circlip
110	98-7582	7	Ball
120	115-8562	1	Bearing-Ball
130	115-8563	1	Stopper-Fuel Camshaft
140	100-9195	2	Bolt
150	115-8564	1	Cover-Camshaft, Fuel
160	115-8565	1	Collar
170	115-8566	1	Gasket
180	98-7589	1	Circlip-External
190	98-7590	4	Bolt



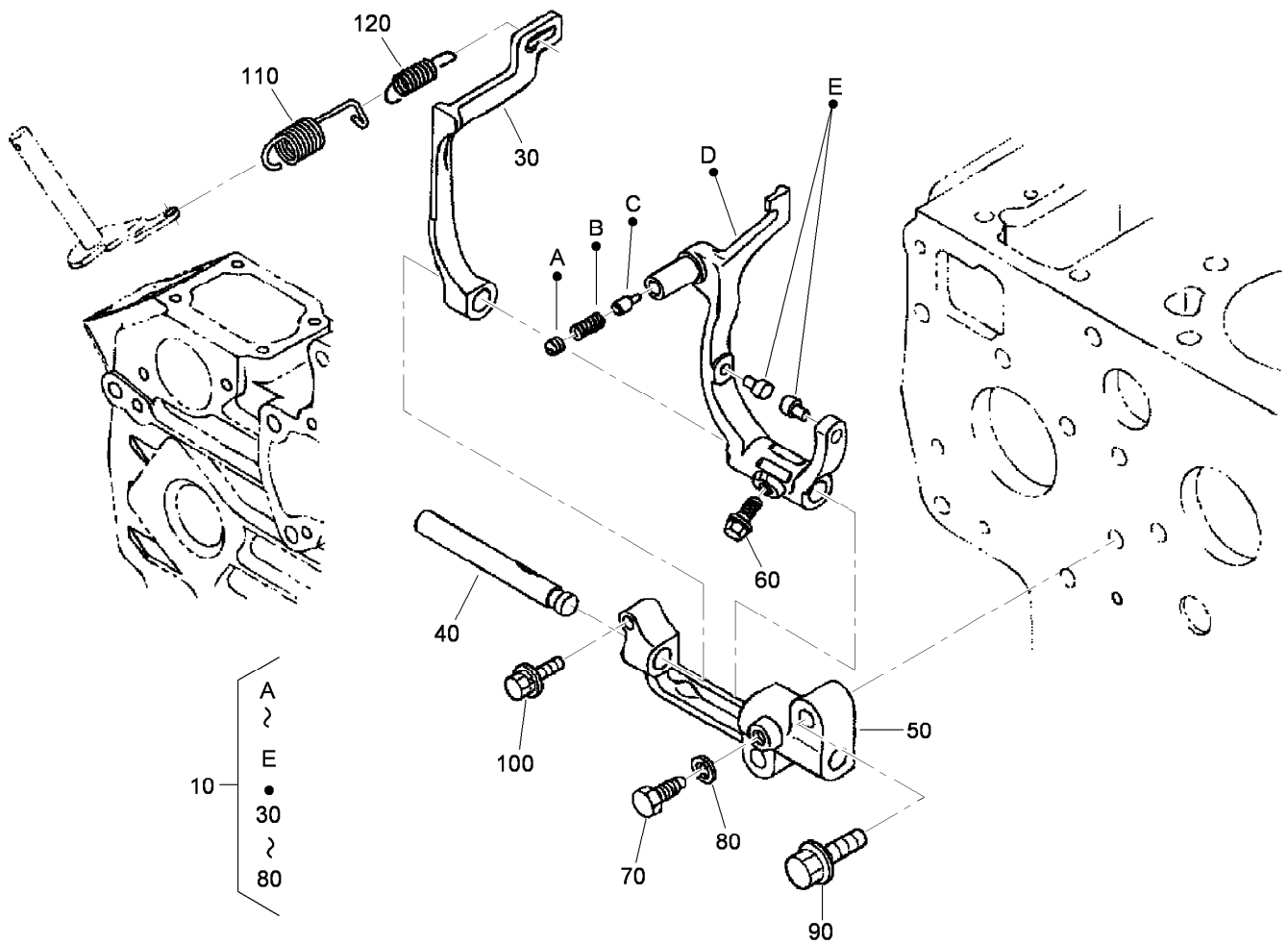
## Idle Apparatus and Stop Solenoid Assembly

<i>Ref.</i>	<i>Part Number</i>	<i>Qty.</i>	<i>Description</i>
10	115-8567	1	Apparatus-Idling
20	115-8568	1	Adjustment Bolt ASM
40	115-8569	1	Nut-Spring
50	115-8570	1	O-Ring
60	115-8571	1	Gasket
70	115-8572	1	Cap
80	115-8573	1	Engine Stop Lever ASM
90	115-8574	1	Lever-Stop
100	115-8575	1	Lever-Stop, Engine
110	115-8576	1	Seal-Oil
120	98-7602	1	Pin-Spring
130	115-8577	1	Spring-Return
140	115-8578	1	Gasket-Plate
150	98-7568	2	Bolt
160	98-7571	2	Stud
170	100-2203	2	Nut-Flange
180	115-8579	1	Guide-Solenoid
190	115-8580	1	Solenoid ASM
200	110-3762	1	O-Ring
210	98-7571	2	Stud
220	100-2203	2	Nut-Flange



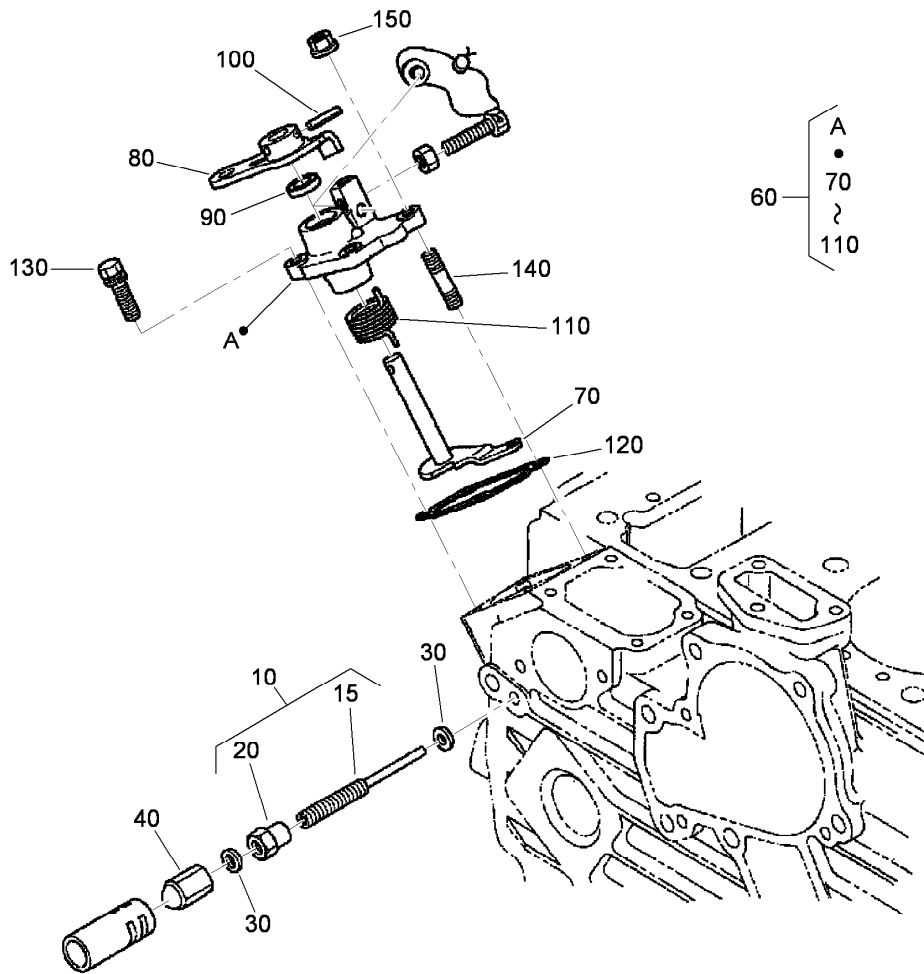
## Injection Pump Assembly

<i>Ref.</i>	<i>Part Number</i>	<i>Qty.</i>	<i>Description</i>
10	98-7617	1	Joint
20	115-8581	1	Injection Pump ASM
21	98-7635	1	Screw
22	98-7636	2	Gasket
30	115-8582	1	Shim-Pump, Injection (0.175Mm)
30	98-7607	1	Shim-Pump, Injection (0.200Mm)
30	107-0147	1	Shim-Pump, Injection (0.250Mm)
30	107-0148	1	Shim-Pump, Injection (0.300Mm)
40	115-8583	4	Bolt-Flange
60	100-1558	2	Stud-Manifold, Exhaust
70	112-2492	2	Nut-Flange
80	107-4300	1	Orifice ASM



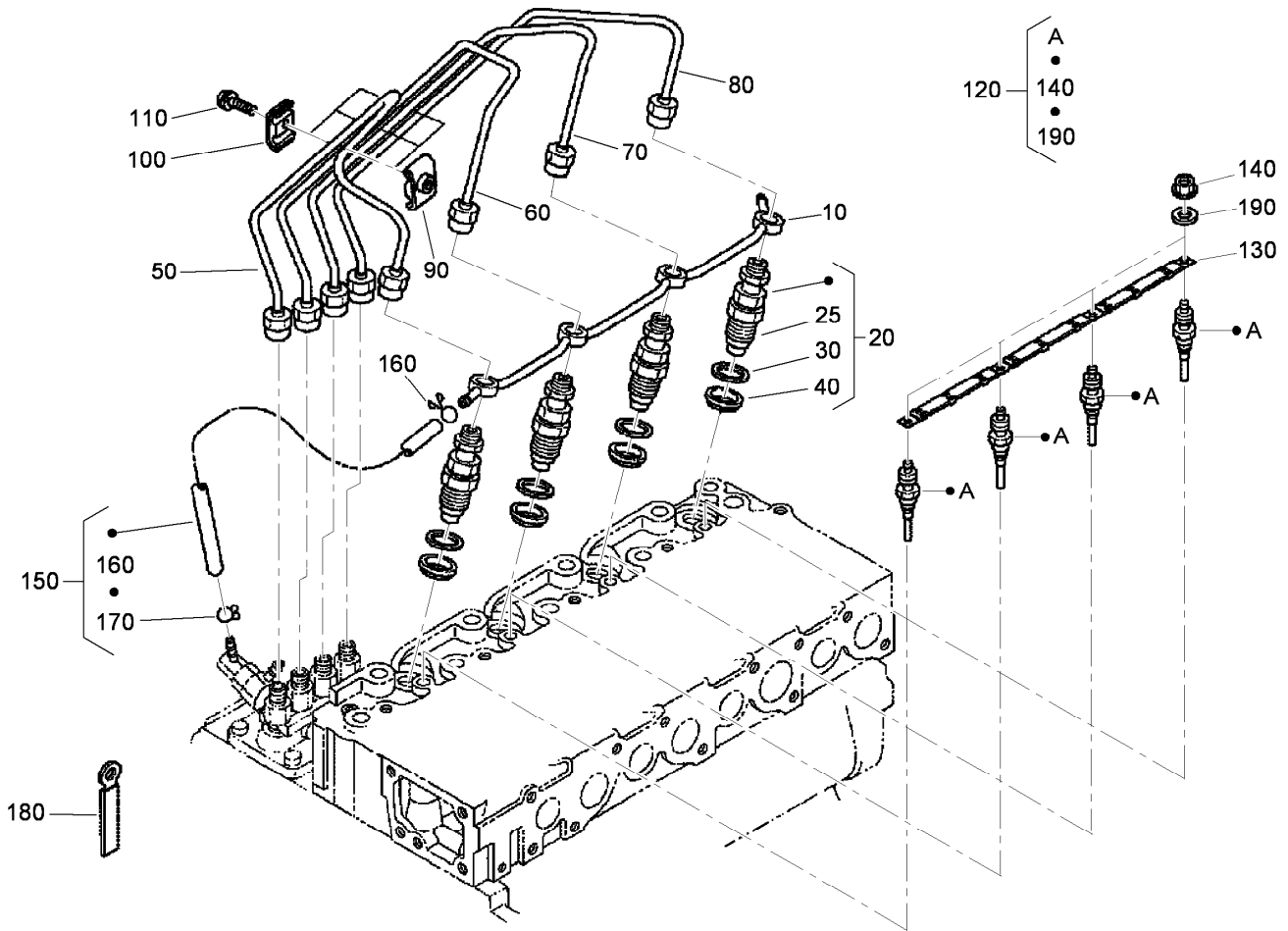
## Governor Assembly

<i>Ref.</i>	<i>Part Number</i>	<i>Qty.</i>	<i>Description</i>
10	115-8584	1	Fork Lever ASM
30	115-8585	1	Lever-Fork
40	107-0120	1	Shaft-Lever, Fork
50	98-7643	1	Holder-Lever, Fork
60	107-0116	1	Bolt-Flange
70	98-7644	1	Bolt
80	98-9367	1	Washer-Spring
90	108-7085	2	Bolt-Flange
100	108-7086	1	Bolt
110	115-8586	1	Spring-Governor
120	115-8587	1	Spring-Governor



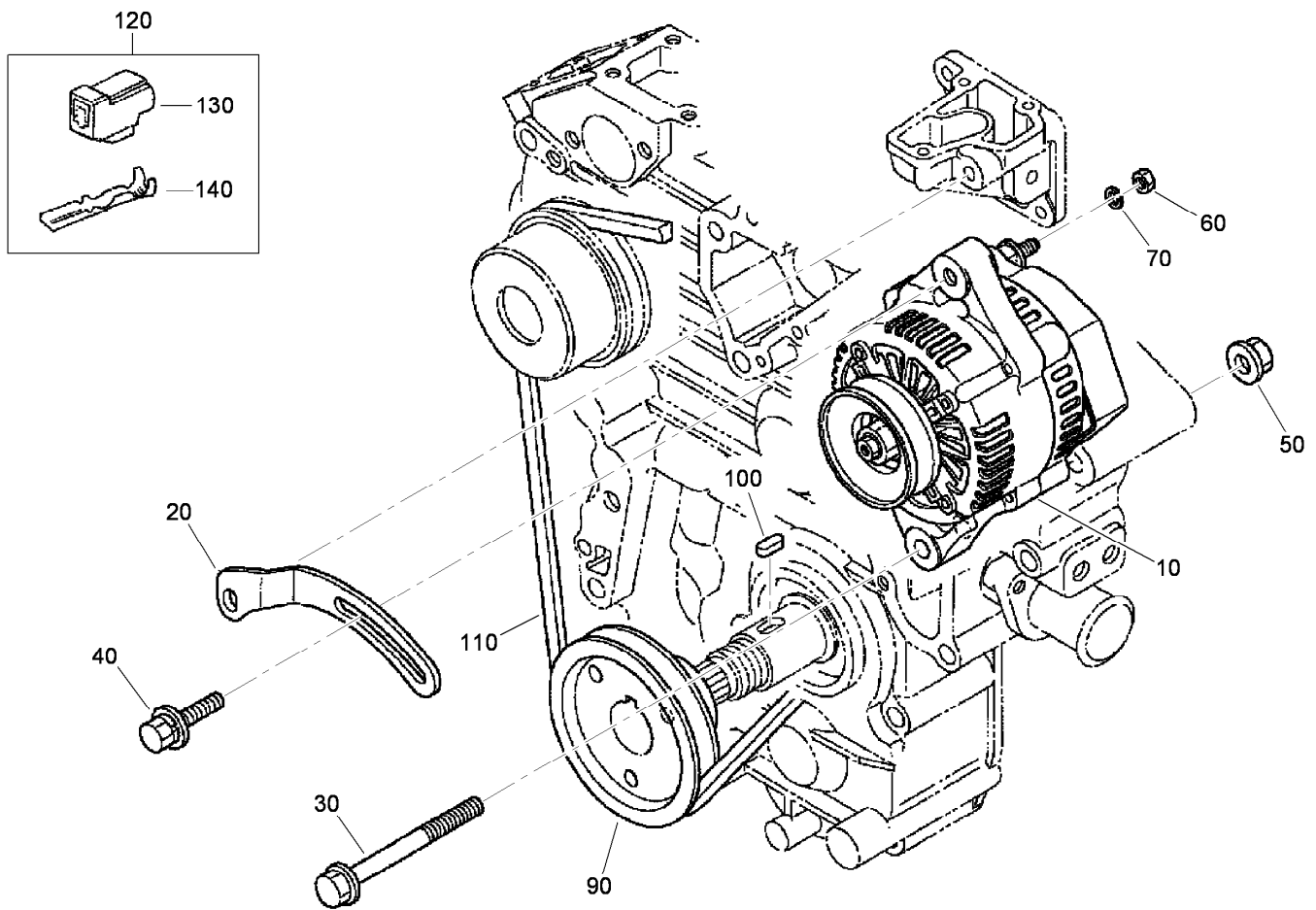
## Speed Control Plate Assembly

<i>Ref.</i>	<i>Part Number</i>	<i>Qty.</i>	<i>Description</i>
10	107-0132	1	Adjustable Bolt ASM
15	115-8588	1	Bolt-Adjusting
20	98-7653	1	Nut
30	98-7654	2	Gasket
40	98-7655	1	Nut-Cap
60	115-8589	1	Control Plate ASM
70	115-8590	1	Lever-Governor
80	115-8591	1	Lever-Control, Speed
90	115-8576	1	Seal-Oil
100	98-7602	1	Pin-Spring
110	115-8593	1	Spring-Return
120	115-8578	1	Gasket-Plate
130	98-7568	2	Bolt
140	98-7571	2	Stud
150	100-2203	2	Nut-Flange



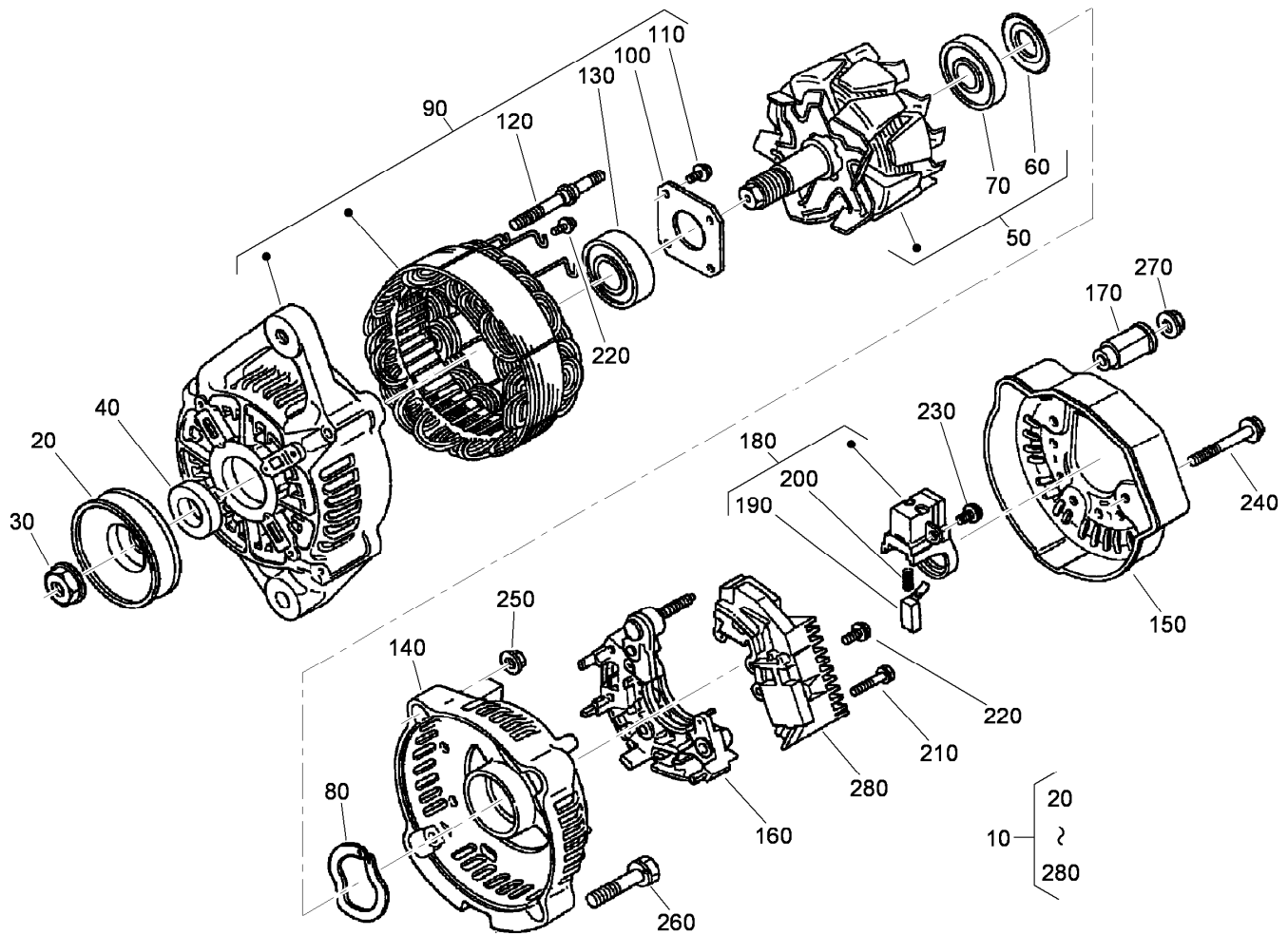
## Nozzle Holder and Glow Plug Assembly

Ref.	Part Number	Qty.	Description
10	100-9213	1	Overflow Pipe ASM
20	100-9214	4	Nozzle Holder Kit
25	100-9215	4	Piece-Nozzle
30	98-7676	4	Gasket
40	98-7677	4	Seal-Heat
50	100-9216	1	Pipe-Injection
60	100-9217	1	Pipe-Injection
70	100-9218	1	Pipe-Injection
80	100-9219	1	Pipe-Injection
90	98-7682	3	Clamp-Pipe
100	98-7683	3	Clamp-Pipe
110	98-9364	3	Screw (With Washer)
120	98-7685	4	Plug-Glow
130	98-7686	1	Cord-Plug, Glow
140	99-8377	4	Nut-Flange
150	98-7670	1	Overflow Pipe ASM
160	98-7671	1	Clip-Pipe
170	115-8595	1	Clip-Pipe
180	98-7673	1	Clamp-Cord
190	99-8378	4	Washer-Plain



## Alternator and Pulley Assembly

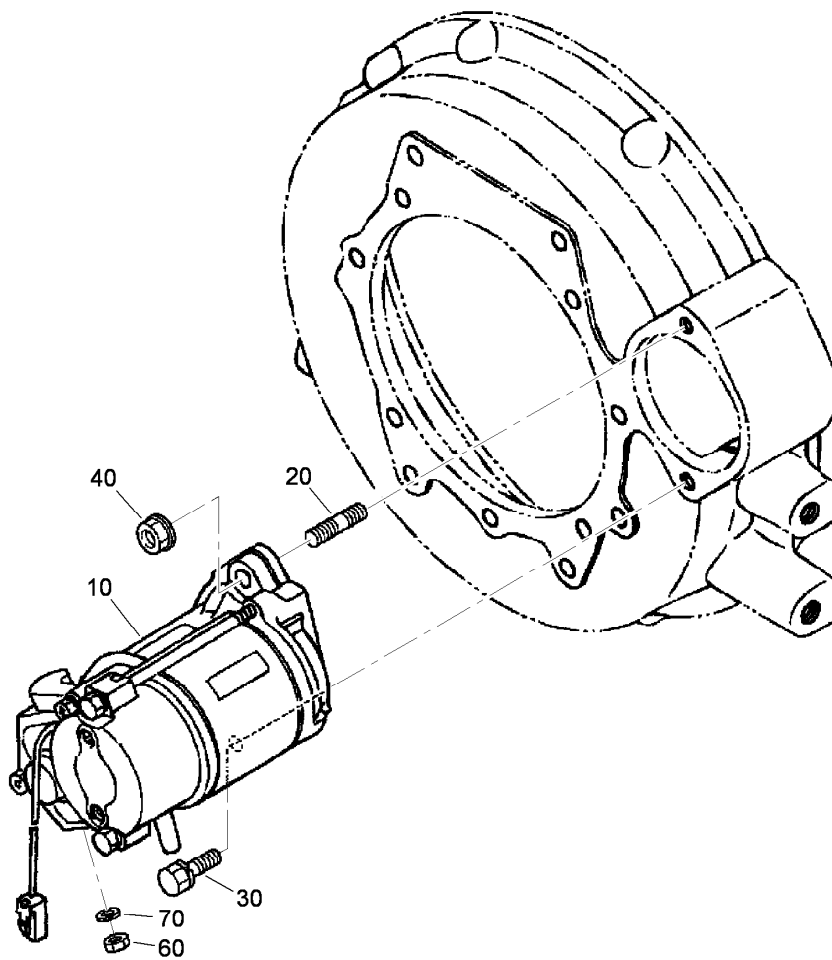
<i>Ref.</i>	<i>Part Number</i>	<i>Qty.</i>	<i>Description</i>
10	98-7693	1	Alternator ASM
20	105-2872	1	Bracket-Alternator
30	115-8596	1	Bolt-Flange
40	108-7088	1	Bolt
50	115-8597	1	Nut-Flange
60	98-7572	1	Nut
70	98-7699	1	Washer-Spring
90	115-8598	1	Pulley-Drive, Fan
100	98-7451	1	Key-Feather
110	115-8599	1	Belt-V
120	115-8600	1	Coupler ASM
130	115-8601	1	Connector
140	115-8602	2	Terminal



## Alternator Component Part Assembly

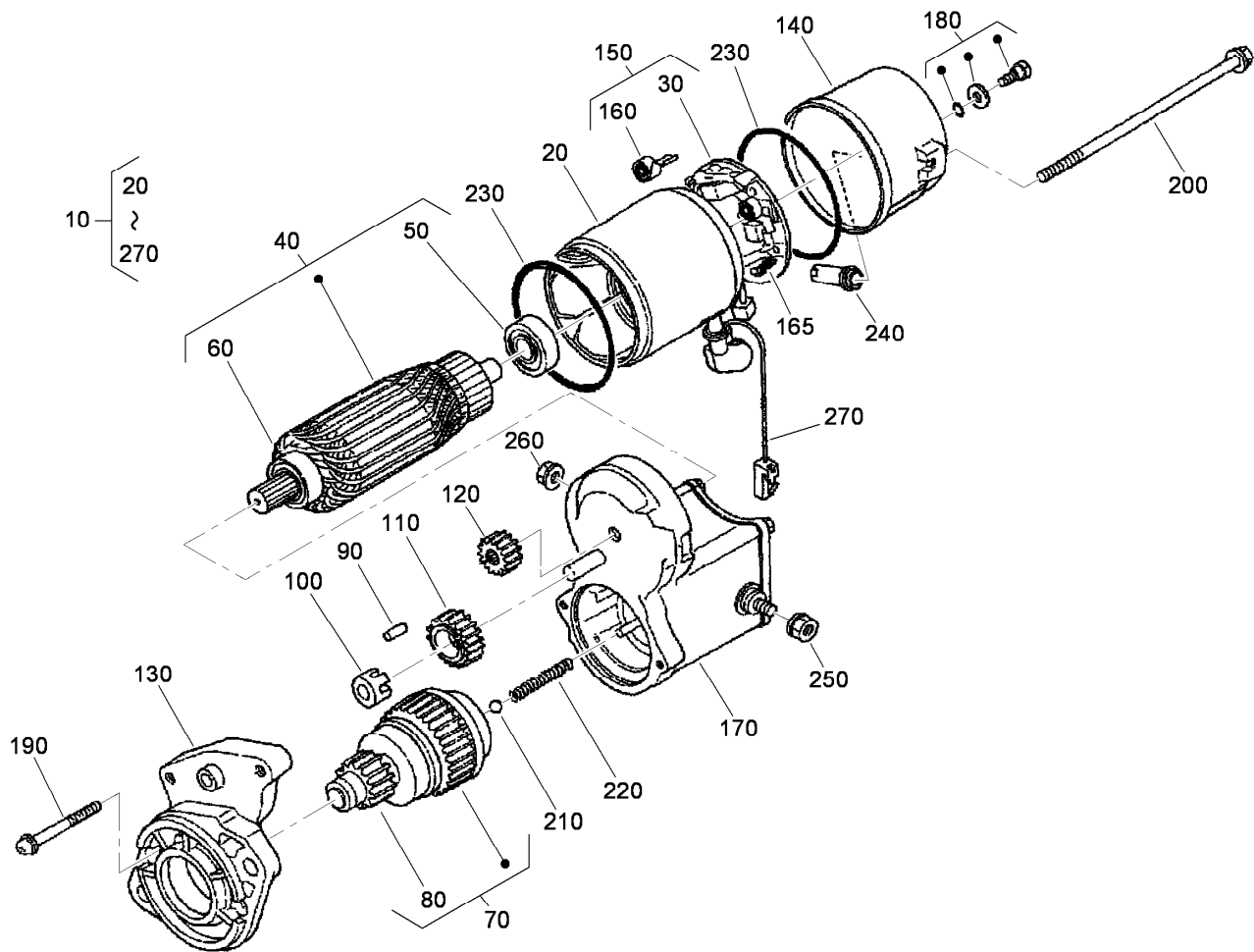
<i>Ref.</i>	<i>Part Number</i>	<i>Qty.</i>	<i>Description</i>	<i>Ref.</i>	<i>Part Number</i>	<i>Qty.</i>	<i>Description</i>
10	98-7693	1	Alternator ASM	150	107-0140	1	Cover-End
20	98-7707	1	Pulley-Alternator	160	98-7721	1	Rectifier ASM
30	98-7708	1	Nut	170	98-7722	1	Bushing-Insulation
40	98-7709	1	Collar	180	107-0141	1	Brush Holder ASM
50	107-0136	1	Rotor ASM	190	98-7724	2	Brush
60	98-7711	1	Cover-Bearing	200	98-7725	2	Spring-Brush
70	107-0138	1	Bearing-Ball	210	98-7726	2	Screw-Head, Round
80	98-7713	1	Washer-Thrust	220	98-7727	6	Screw-Head, Round
90	107-0139	1	Drive End Frame ASM	230	98-7728	1	Screw-Head, Round
100	98-7715	1	Plate-Retainer	240	98-7729	3	Bolt
110	98-7716	4	Screw-Head, Round	250	98-7730	2	Nut
120	98-7717	2	Bolt-Through	260	98-7731	2	Bolt
130	107-0137	1	Bearing-Ball	270	98-7732	1	Nut
140	98-7719	1	Frame-End	280	110-3799	1	Regulator ASM





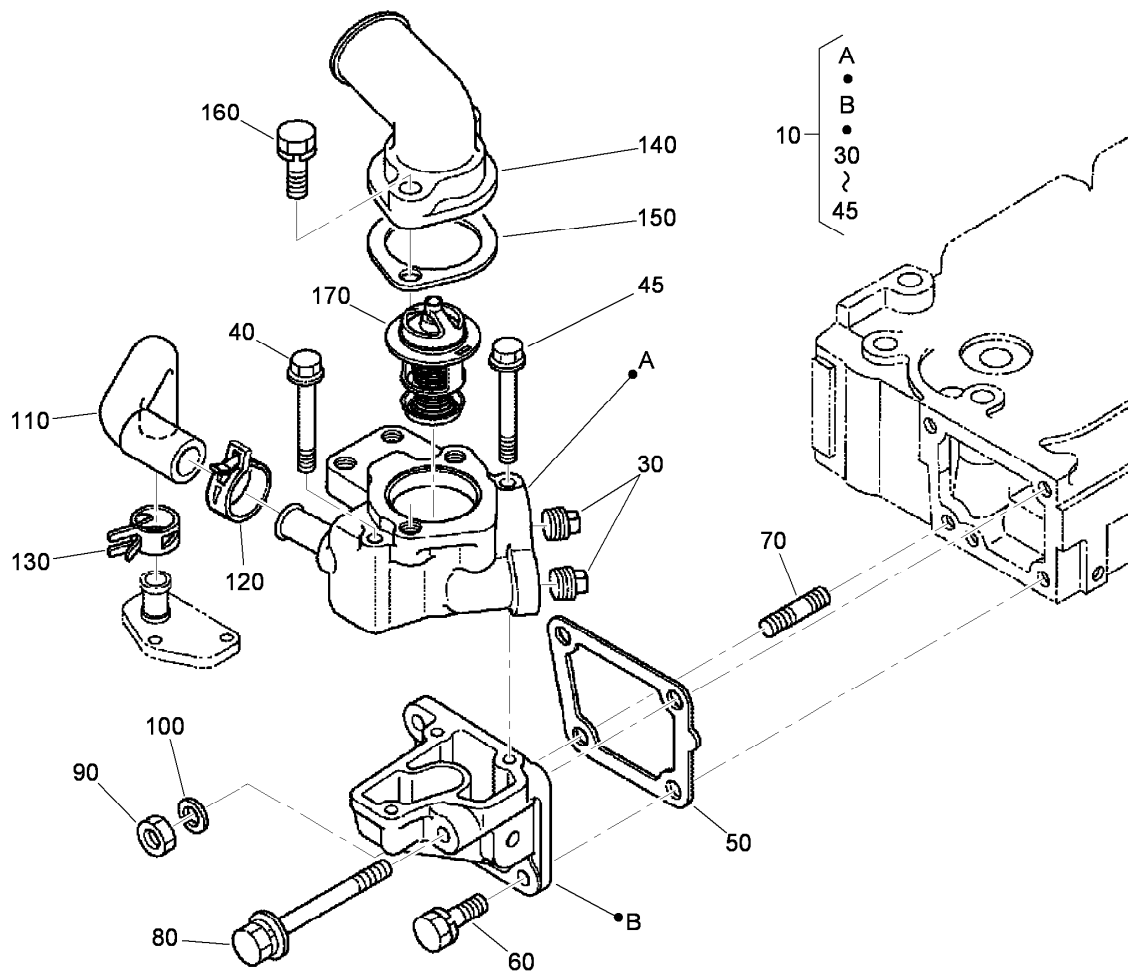
## Starter Assembly

<i>Ref.</i>	<i>Part Number</i>	<i>Qty.</i>	<i>Description</i>
10	115-8603	1	Starter ASM
20	98-7735	1	Stud
30	98-7736	1	Bolt
40	115-8597	1	Nut-Flange
60	98-7739	1	Nut
70	105-2893	1	Washer-Spring



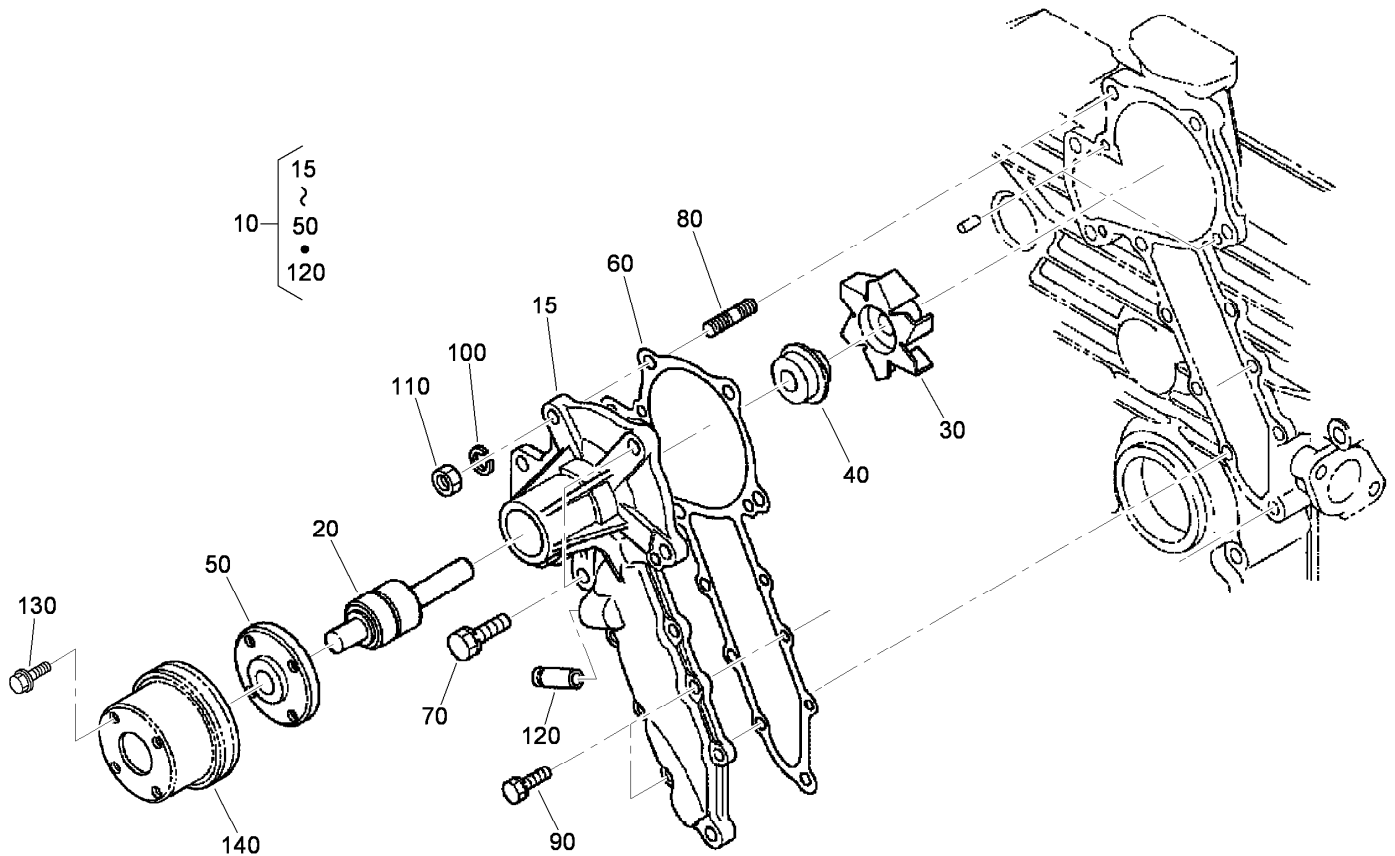
## Starter Components Assembly

<i>Ref.</i>	<i>Part Number</i>	<i>Qty.</i>	<i>Description</i>	<i>Ref.</i>	<i>Part Number</i>	<i>Qty.</i>	<i>Description</i>
10	115-8603	1	Starter ASM	150	115-8612	1	Holder-Brush
20	115-8604	1	Yoke	160	115-8613	4	Spring
30	115-8605	1	Brush Kit	165	115-8614	4	Spring-Brush
40	115-8606	1	Armature	170	115-8615	1	Magnetic Switch ASM
50	115-8607	1	Bearing	180	115-8616	2	Screw
60	98-7744	1	Bearing	190	115-8617	2	Screw
70	115-8608	1	Clutch-Running, Over	200	115-8618	2	Bolt-Thru
80	112-2833	1	Gear-Pinion	210	98-7755	1	Ball
90	98-9707	5	Roller	220	98-7754	1	Spring
100	98-7752	1	Retainer	230	98-7757	2	O-Ring
110	98-7751	1	Gear	240	115-8619	1	Pipe-Drain
120	115-8609	1	Gear	250	98-7760	1	Nut-Hex
130	115-8610	1	Frame-End, Drive	260	99-8376	1	Nut-Hex
140	115-8611	1	Frame-End	270	98-9711	1	Cord-Solenoid, Stop



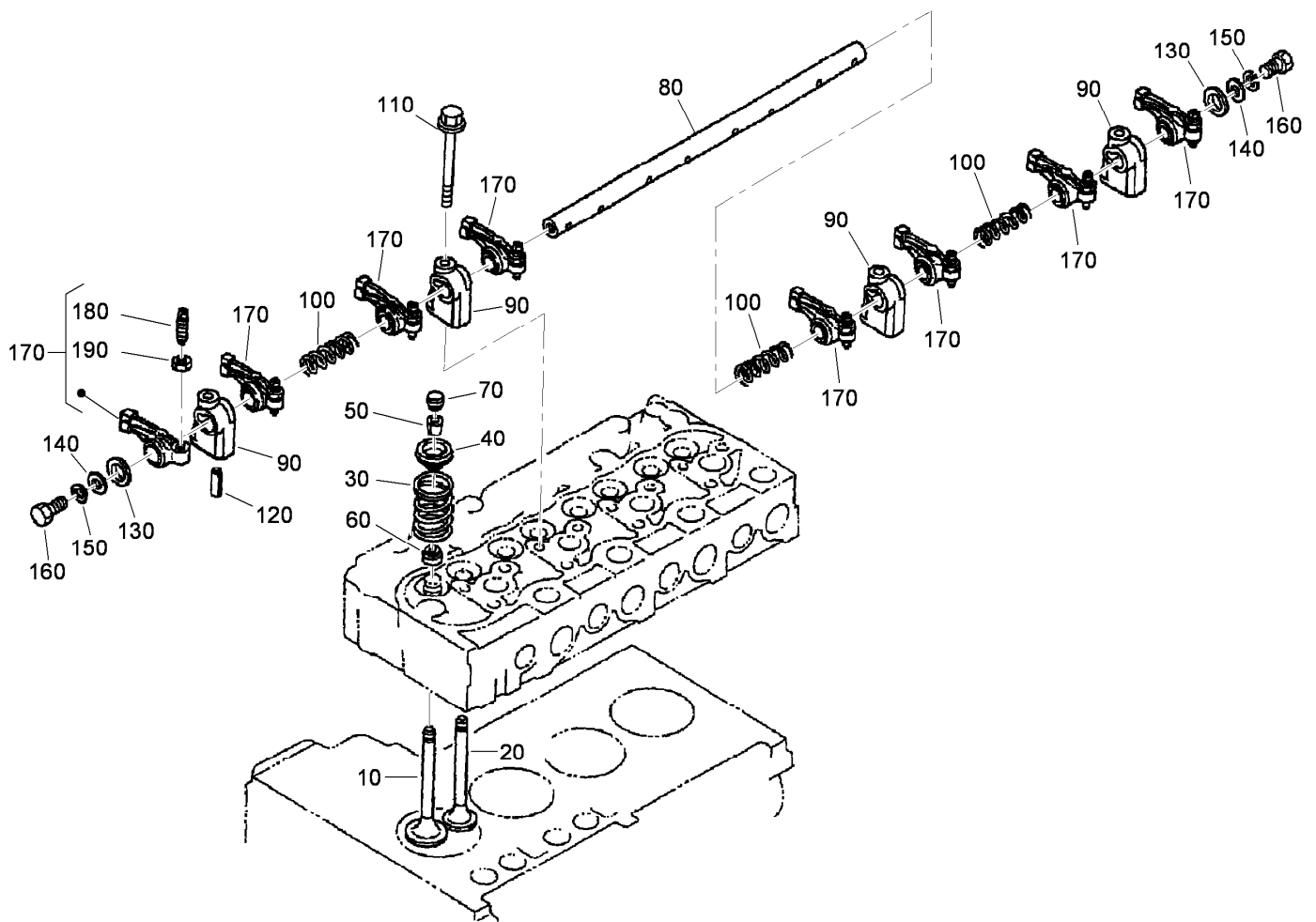
## Water Flange and Thermostat Assembly

<i>Ref.</i>	<i>Part Number</i>	<i>Qty.</i>	<i>Description</i>
10	105-4578	1	Water Flange ASM
30	105-2874	2	Plug
40	105-2875	2	Bolt-Flange
40	105-2875	3	Bolt-Flange
45	107-0117	1	Bolt-Flange
45	107-0117	1	Bolt-Flange
50	98-7767	1	Gasket-Flange, Water
60	98-9359	2	Bolt
70	100-1558	1	Stud-Manifold, Exhaust
80	107-0115	1	Bolt
90	98-7534	1	Nut
100	105-2893	1	Washer-Spring
110	115-8620	1	Pipe-Return, Water
120	115-8621	1	Clamp-Hose
130	105-2879	1	Clamp-Hose
140	100-9244	1	Cover-Thermostat
150	105-3748	1	Gasket-Thermostat
160	98-7777	2	Bolt
170	105-2881	1	Thermostat ASM



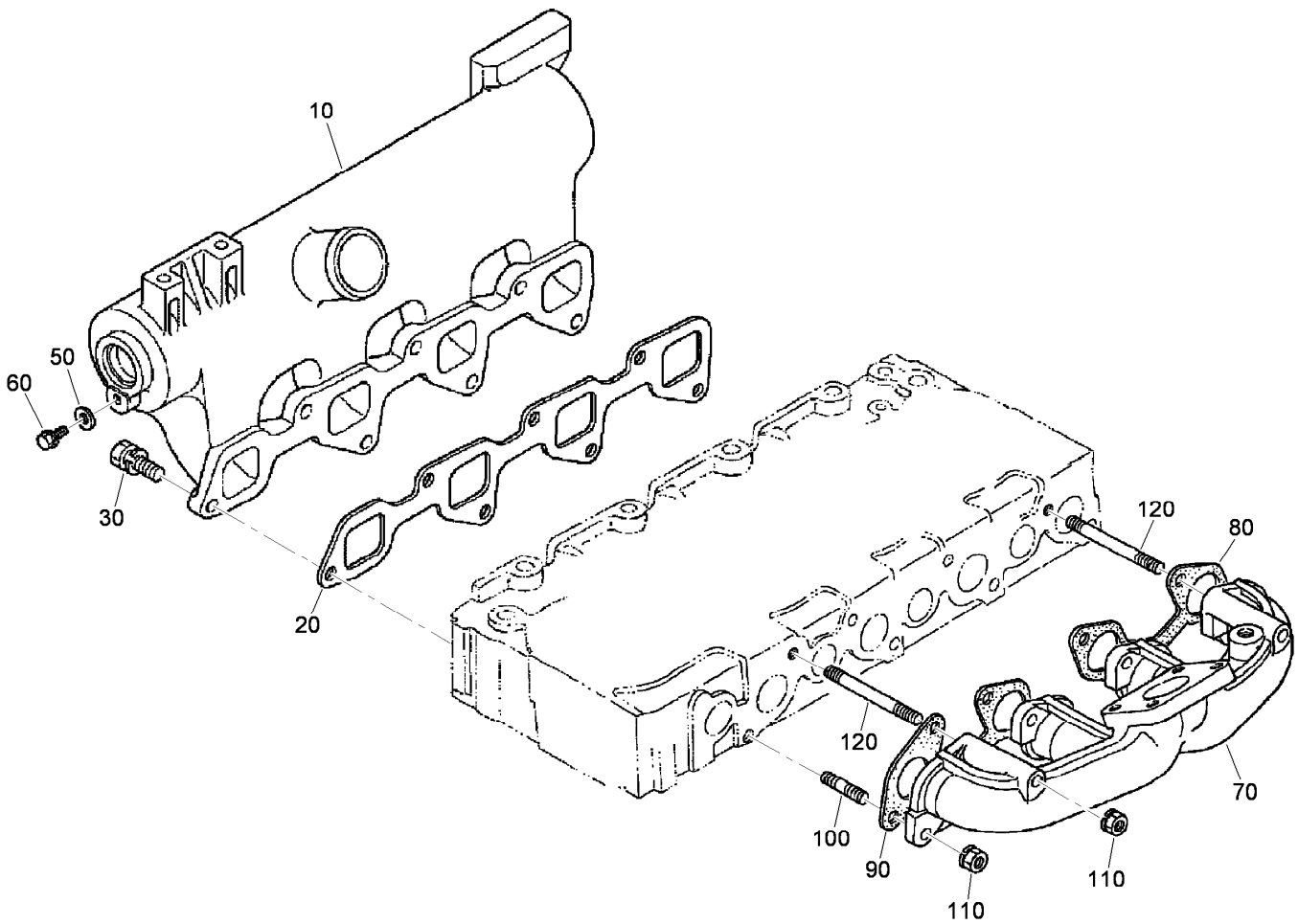
## Water Pump Assembly

<i>Ref.</i>	<i>Part Number</i>	<i>Qty.</i>	<i>Description</i>
10	115-8622	1	Water Pump ASM
15	115-8623	1	*obs* Body-Pump, Water
20	98-7780	1	Bearing-Ball
30	107-0130	1	Impeller-Pump, Water
40	105-2882	1	Mechanical Seal ASM
50	108-7089	1	Flange-Shaft, Water Pump
60	115-8624	1	Gasket-Pump, Water
70	98-7439	2	Bolt
80	108-7090	1	Stud
90	98-7605	6	Bolt
100	105-2893	1	Washer-Spring
110	98-7534	1	Nut
120	98-9580	1	Pipe-Return, Water
130	107-4317	4	Bolt-Flange
140	115-8625	1	Pulley-Fan



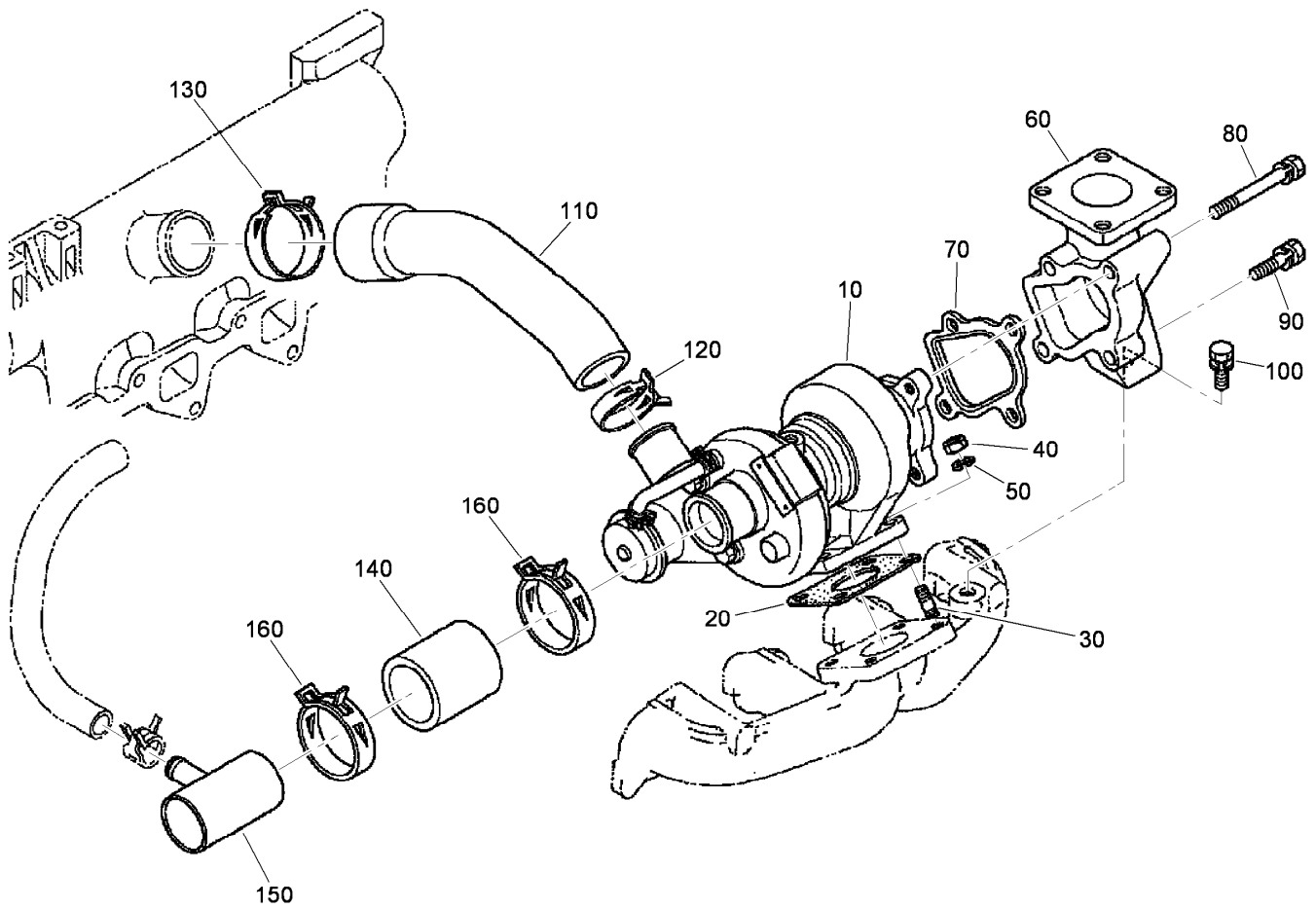
## Valve and Rocker Arm Assembly

<i>Ref.</i>	<i>Part Number</i>	<i>Qty.</i>	<i>Description</i>
10	115-8626	4	Valve-Inlet
20	114-5099	4	Valve-Exhaust
30	98-7793	8	Spring-Valve
40	98-7794	8	Retainer-Spring, Valve
50	98-7795	8	Collet-Spring, Valve
60	98-7796	8	Seal-Stem, Valve
70	98-7797	8	Cap-Valve
80	107-0134	1	Shaft-Arm, Rocker
90	98-7800	4	Bracket-Arm, Rocker
100	98-7807	3	Spring-Arm, Rocker
110	108-7091	4	Bolt-Flange
120	98-7805	1	Pin-Spring
130	98-7806	2	Washer
140	98-7660	2	Washer-Plain
150	105-2893	2	Washer-Spring
160	98-7884	2	Bolt
170	98-7809	8	Rocker Arm ASM
180	98-7810	8	Screw-Adjusting
190	98-7811	8	Nut



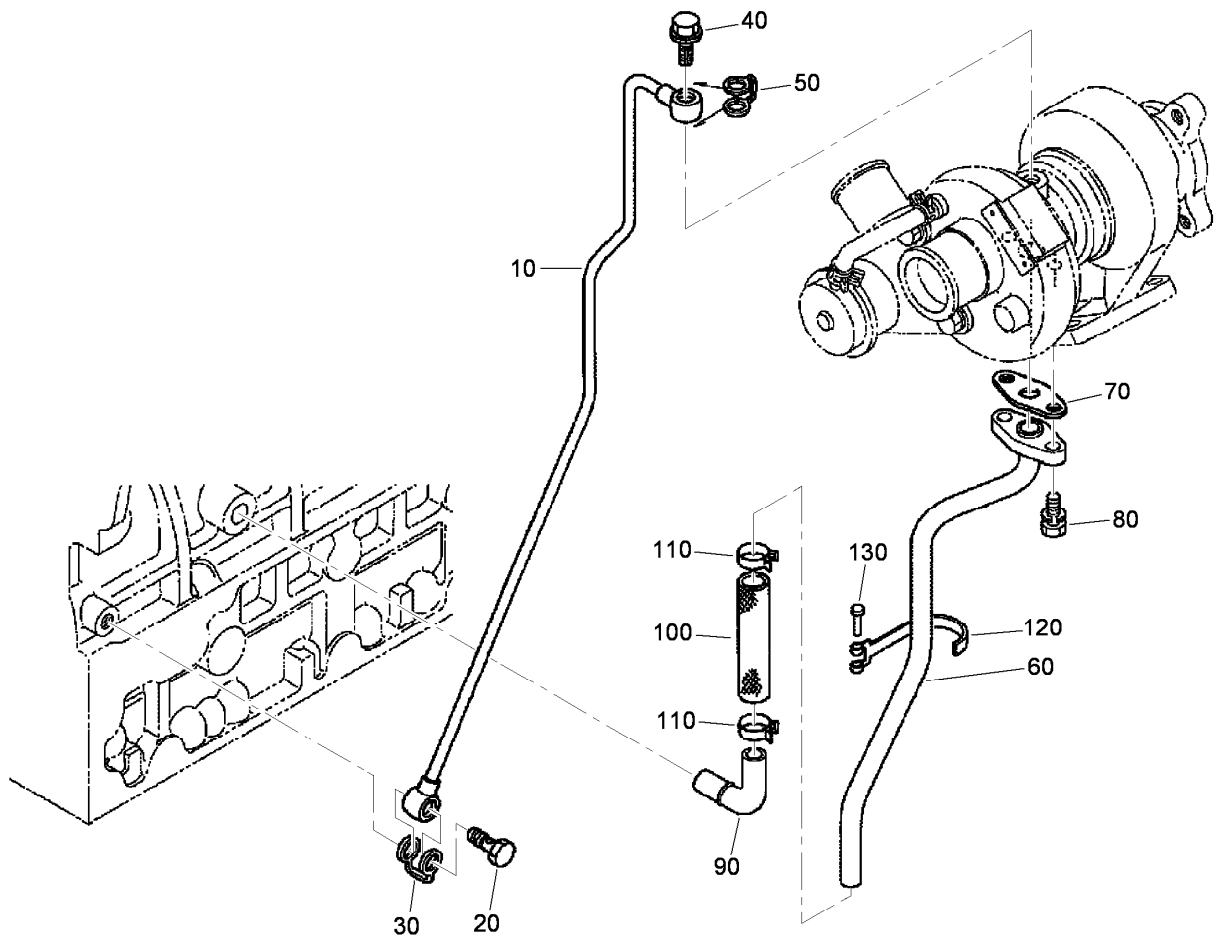
## Inlet and Exhaust Manifold Assembly

<i>Ref.</i>	<i>Part Number</i>	<i>Qty.</i>	<i>Description</i>
10	115-8627	1	Manifold-Inlet
20	100-9284	1	Gasket-Manifold, Intake
30	98-7610	1	Bolt
50	98-7654	1	Gasket
60	107-4317	1	Bolt-Flange
70	108-7092	1	Manifold-Exhaust
80	98-7802	1	Gasket
90	98-7803	1	Gasket
100	100-1558	6	Stud-Manifold, Exhaust
110	100-9288	8	Nut
120	100-9289	2	Stud



## Turbo Charger Assembly

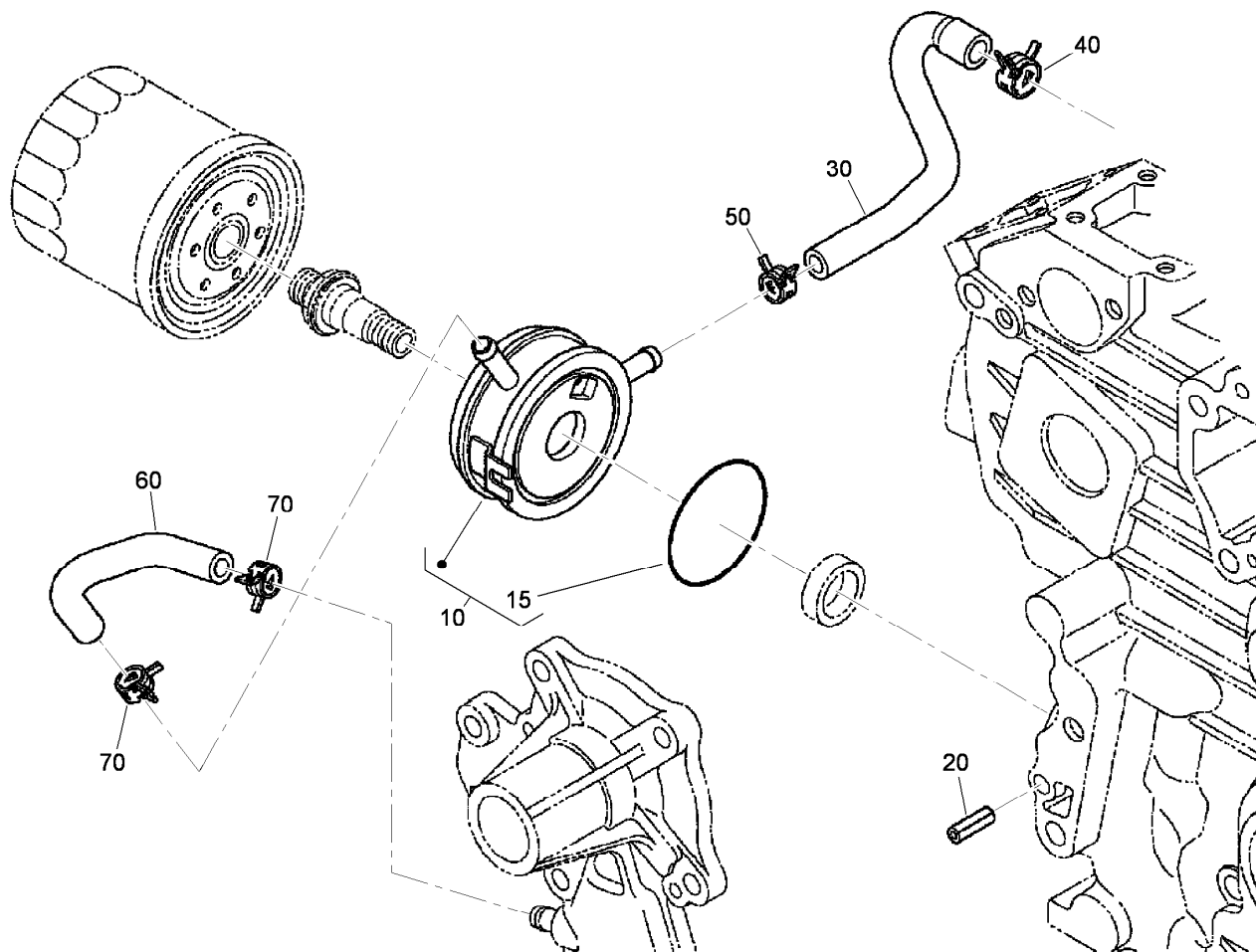
<i>Ref.</i>	<i>Part Number</i>	<i>Qty.</i>	<i>Description</i>
10	115-8628	1	Turbo Charger ASM
20	100-9314	1	Gasket
30	99-8342	4	Stud
40	98-7534	4	Nut
50	105-2893	4	Washer-Spring
60	108-7094	1	Flange-Muffler
70	100-9316	1	Gasket
80	98-7590	2	Bolt
90	98-7777	2	Bolt
100	115-8629	1	Bolt
110	115-8630	1	Hose-Inlet
120	100-9319	1	Band-Pipe
130	99-8322	1	Band-Pipe
140	115-8631	1	Tube-Inlet, Turbo
150	115-8632	1	Pipe-Breather, Inlet
160	99-8322	2	Band-Pipe



## Oil Pipe (Turbo Charger) Assembly

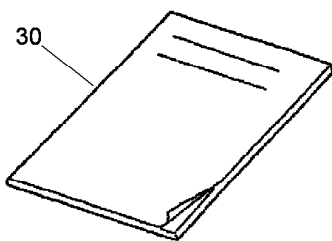
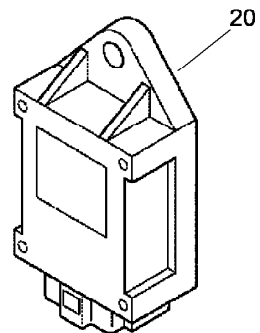
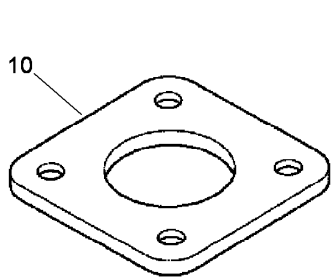
<i>Ref.</i>	<i>Part Number</i>	<i>Qty.</i>	<i>Description</i>
10	115-8633	1	Pipe-Oil
20	100-9321	1	Bolt-Joint, Eye
30	115-8634	1	Gasket
40	115-4126	1	Bolt-Joint, Eye
50	115-8635	1	Gasket
60	115-8636	1	Pipe-Oil
70	108-4422	1	Gasket
80	98-7605	2	Bolt
90	100-9323	1	Pipe-Oil
100	108-7095	1	Tube-Oil
110	98-9714	2	Clamp-Hose
120	108-7096	1	Clamp-Pipe
130	98-9591	1	Pin-Band





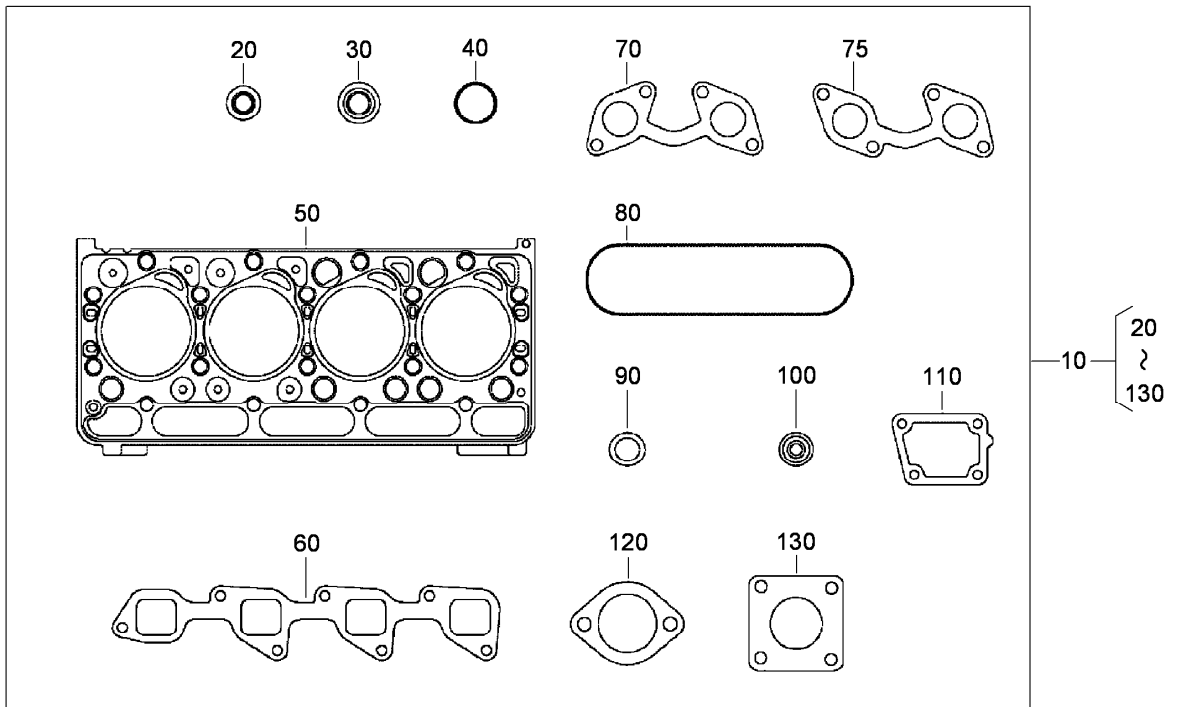
## Oil Cooler Assembly

<i>Ref.</i>	<i>Part Number</i>	<i>Qty.</i>	<i>Description</i>
10	115-8637	1	Oil Cooler ASM
15	115-8638	1	O-Ring
20	115-8639	1	Pin-Spring
30	115-8640	1	Hose-Cooler, Oil
40	105-2879	1	Clamp-Hose
50	98-9579	1	Band-Pipe
60	115-8641	1	Hose-Cooler, Oil
70	98-9579	2	Band-Pipe



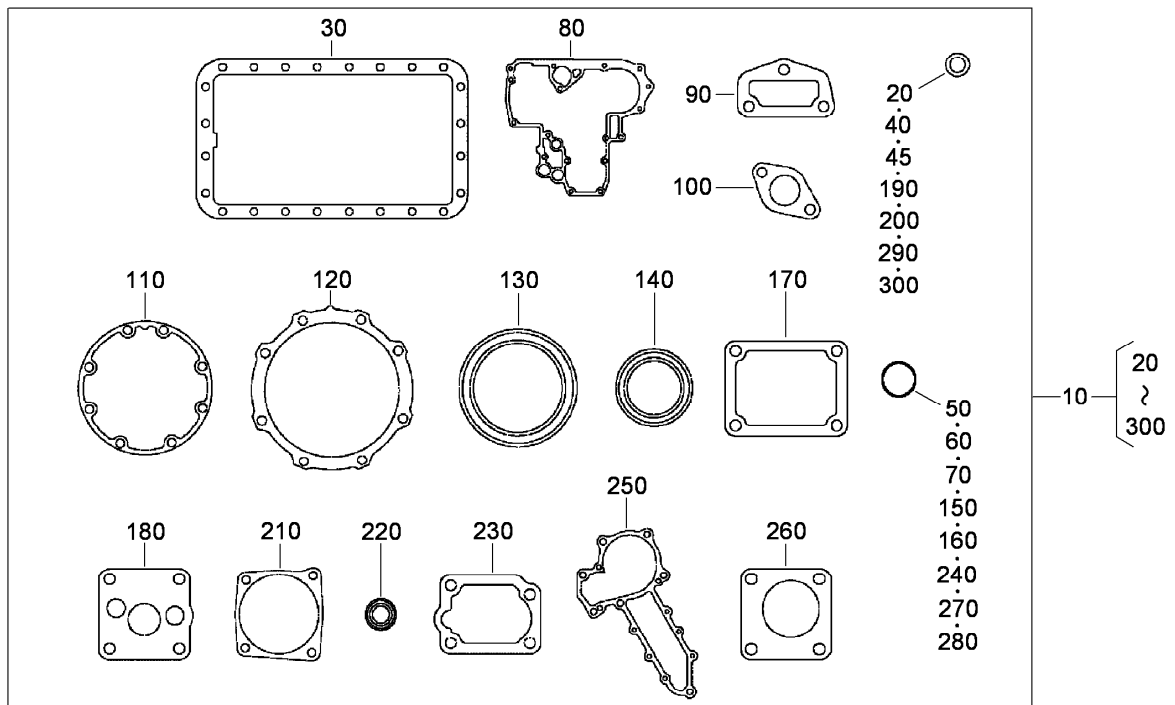
## Muffler Gasket, Glow Controller and Operator Manual

<i>Ref.</i>	<i>Part Number</i>	<i>Qty.</i>	<i>Description</i>
10	100-9333	1	Gasket-Muffler
20	98-7611	1	Controller-Glow
30	115-8642	1	Manual-Operator



## Upper Gasket Kit

<i>Ref.</i>	<i>Part Number</i>	<i>Qty.</i>	<i>Description</i>
10	115-8643	1	Upper Gasket Kit
20	98-7763	1	Washer-W/Rubber
30	98-7796	8	Seal-Stem, Valve
40	108-7064	1	O-Ring
50	115-8509	1	Gasket-Head, Cylinder (1.20Mm)
60	100-9284	1	Gasket-Manifold, Intake
70	98-7803	1	Gasket
75	98-7802	1	Gasket
80	108-7062	1	Gasket-Cover, Head
90	98-7676	4	Gasket
100	98-7677	4	Seal-Heat
110	98-7767	1	Gasket-Flange, Water
120	105-3748	1	Gasket-Thermostat
130	100-9333	1	Gasket-Muffler



## Lower Gasket Kit

<i>Ref.</i>	<i>Part Number</i>	<i>Qty.</i>	<i>Description</i>	<i>Ref.</i>	<i>Part Number</i>	<i>Qty.</i>	<i>Description</i>
10	115-8644	1	Lower Gasket Kit	150	98-7478	1	O-Ring
20	98-7524	1	Gasket	160	108-7054	1	O-Ring
30	108-7053	1	Gasket-Pan, Oil	170	98-7604	1	Gasket-Cover, Pump
40	98-7528	1	O Ring-Copper	180	115-8648	1	Gasket-Pump, Oil
45	98-9399	2	Gasket	190	98-7654	2	Gasket
50	107-0104	1	O-Ring	200	98-7636	2	Gasket
60	115-8514	2	O-Ring	210	115-8566	1	Gasket
70	107-0106	1	O-Ring	220	115-8576	2	Seal-Oil
80	115-8516	1	Gasket-Case, Gear	230	115-8578	2	Gasket-Plate
90	115-8521	1	Gasket-Flange, Return	240	110-3762	1	O-Ring
100	115-8645	1	Gasket-Pump, Fuel	250	115-8624	1	Gasket-Pump, Water
110	98-7435	1	Gasket-Case, Bearing	260	115-8522	1	Gasket-Meter, Hour
120	98-7437	1	Gasket-Case Cover, Bearing	270	115-8649	1	O-Ring
130	108-7072	1	Seal-Oil	280	115-8570	1	O-Ring
140	98-7480	1	Seal-Oil	290	115-8571	1	Gasket
				300	98-7428	1	Gasket

# Attachments and Accessories

## For 30448 Groundsmaster 4000-D Rotary Mower

<b>Product Name</b>	<b>Model/Part</b>
Bumper ASM .....	106-4278-03
Blade-Atomic (21.75in) .....	107-0214-03
Premium All Season Hydraulic Fluid (55 Gallon Drum) .....	108-1177
Premium All Season Hydraulic Fluid (5 Gallon Pail) .....	108-1178
Atomic Blade Service Pack (7 Pack) .....	108-1450
Blade-Flat Sail (21.75in) .....	110-6115-03
Flat Blade Service Pack (7 Pack) .....	110-6130
90 Amp Alternator Kit .....	115-8473
Accessory Wiring Kit .....	115-8492
MVP Blade Kit .....	117-2722
Harness-Wire, Sweeper .....	119-7776
Harness-Wire, Loopback .....	119-7777
Premium Engine Oil 10w30 (55 Gallon Drum) .....	121-6392
Premium Engine Oil 10w30 (5 Gallon Pail) .....	121-6393
Premium Engine Oil 15w40 (55 Gallon Drum) .....	121-6394
Premium Engine Oil 15w40 (5 Gallon Pail) .....	121-6395
MVP Filter Kit .....	30056
Hardtop Sunshade .....	30359
Right-Hand Replacement Mower .....	30415
Left-Hand Replacement Mower .....	30416
Front Center Replacement Mower .....	30417
Guardian Recycler Conversion Kit .....	30420
Speed Control Kit .....	30421
Leaf Mulcher Kit .....	30422
Debris Blower .....	30425
Rotary Broom .....	30426
Air Conditioner Mounting Kit .....	30444
Road Light Kit .....	30452
Diagnostic Display Box .....	85-4750
Blade (21.75in) .....	92-5608-03
8in Foam Filled Wheel ASM .....	93-5974
Debris Blower Outlet Kit .....	95-5909

**Notes:**

**Notes:**



**Count on it.**