



Count on it.

Parts Catalog

**Groundsmaster® 4000-D
Rotary Mower**

Model No. 30448—Serial No. 312000001 and Up



Ordering Replacement Parts

To order replacement parts, please supply the part number, the quantity, and the description of each part desired.

Understanding Reference Numbers

Each identified part in an illustration has a reference number. The reference number for a part also appears in the parts list, along with other information about the part.

This catalog uses two special reference number formats, one to indicate parts in a service assembly and another to indicate the quantity of a given part in an illustration.

Service Assembly Reference Numbers

Parts in service assemblies have reference numbers in the form a:b. The a represents the reference number of the entire service assembly and the b represents a sequential number unique to each part within the service assembly.

For example, a wheel assembly might be identified by reference number 6, the tire by 6:1, the valve by 6:2, and the wheel by 6:3. When you order the assembly identified by reference number 6, you receive all parts identified by reference numbers 6:1, 6:2, and 6:3. However, you may also order any part individually. Reference numbers of this type appear in illustration and in parts lists.

Reference Numbers Indicating Quantity

In an illustration, if a reference number indicates more than one part, the reference number has the form nX y. The n represents the quantity of the part, the X is the multiplication symbol, and the y represents the reference number.

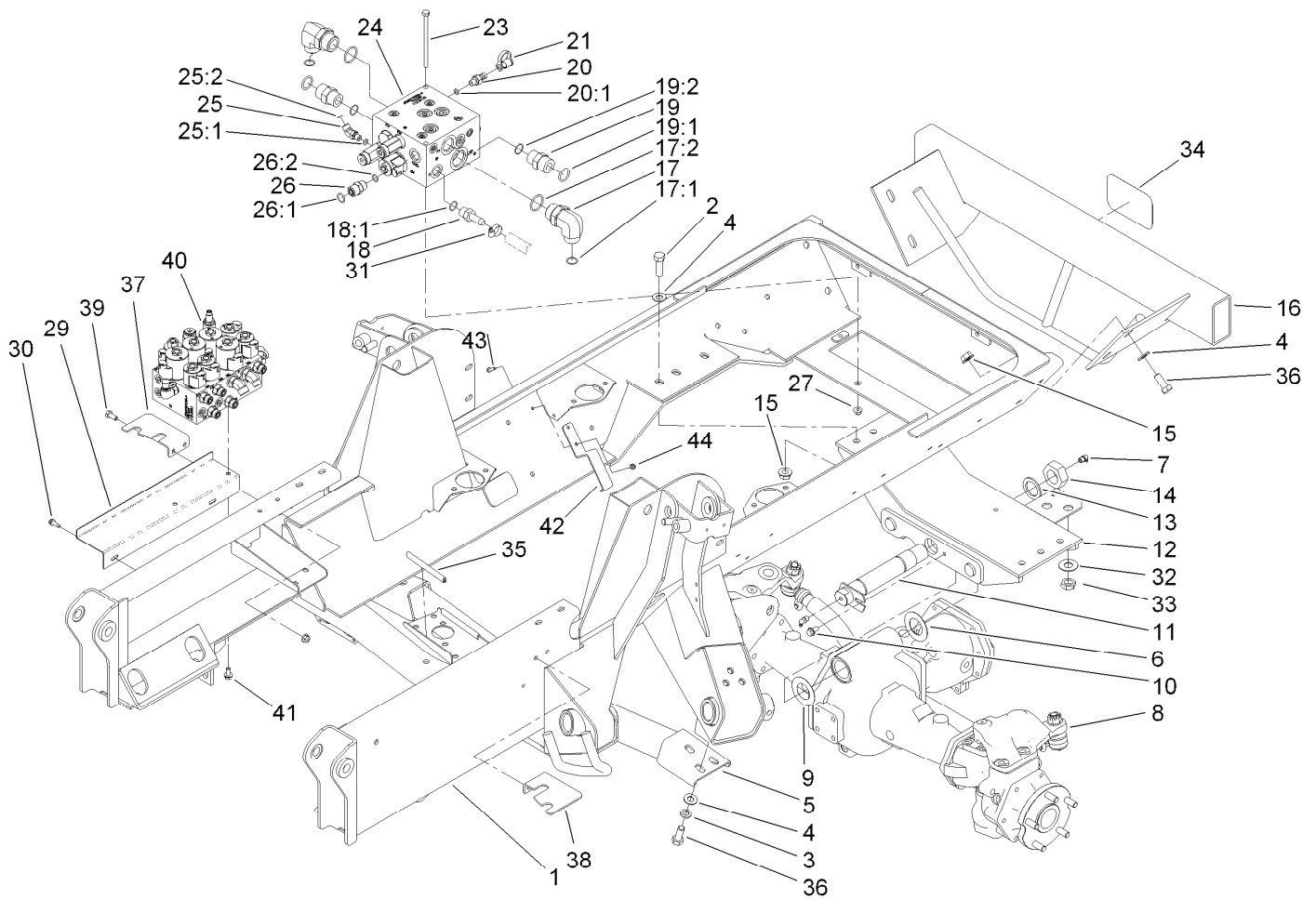
For example, in an illustration, the reference number 2X 37 means that two of the parts identified by reference number 37 are indicated.

Contents

Frame, Rear Axle Mount and Bumper Assembly	5
Bevel Pinion Shaft Assembly Rear Axle Assembly No. 110-4750	7
Differential Assembly Rear Axle Assembly No. 110-4750	8
Axle Support Assembly Rear Axle Assembly No. 110-4750	9
Bevel Gear Case Assembly Rear Axle Assembly No. 110-4750	10
Bevel Gear Shaft Assembly Rear Axle Assembly No. 110-4750	11
Axle Case Assembly Rear Axle Assembly No. 110-4750	12
Axle Assembly Rear Axle Assembly No. 110-4750	13
4-Wheel Drive Manifold Assembly No. 112-9123	14
Lift Manifold Assembly No. 119-0061	15
4 Wheel Drive Rear Axle and Tire Assembly	16
Piston Motor Assembly No. 104-0764	17
Steering Cylinder Assembly No. 105-0775	18
Planetary, Brake and Tire Assembly	19
Planetary Assembly No. 105-4588	21
Brake Assembly No. 100-3069-03	22
Piston Motor Assembly No. 100-3052	23
Hydraulic PTO Manifold Assembly No. 115-8467	24
Brake Assembly No. 100-3070-03	25
Hydraulic PTO Manifold Assembly No. 115-8469	26
Hydraulic PTO Manifold Assembly No. 115-8468	27
Platform Assembly	28
Steering Tower Assembly	30
Steering Valve Assembly No. 114-5074	32
Traction Pedal and Linkage Assembly	33
Brake Pedal and Linkage Assembly	34
Controller and Tool Box Assembly	35
Control Console Assembly	36
Fuel Tank, Battery and Roll-Over Protection System Assembly	38
Front Deck Lift Arm and Cylinder Assembly	40
Hydraulic Cylinder Assembly No. 107-4304	42
Gear Motor Assembly No. 99-5489	43
Side Deck Lift Arm, Cylinder and Latch Assembly	44
Hydraulic Cylinder Assembly No. 107-4303	46
Side Deck Lift Arm and Damper Assembly	47
Hood and Screen Assembly	49
Air Cleaner and Muffler Assembly	51
Air Cleaner Assembly No. 99-5410	52
Radiator, Oil Cooler and Support Assembly	53
Engine Mount, Fuel Line and Fan Drive Assembly	55
Hydraulic Motor Assembly No. 117-4769	56
Flywheel and Throttle Assembly	57
Hydraulic Reservoir and Filter Assembly	58
Hydraulic Filter Manifold Assembly No. 114-8129	59
Pump Installation and Filter Assembly	60
Piston Pump Assembly No. 114-9769	62
Control Assembly No. 115-4446	63
Traction Manifold Assembly No. 112-9124	64
Fan Drive Manifold Assembly No. 114-3847	65
Pump Assembly No. 114-9770	66
Traction Hydraulic Plumbing Assembly	67
Power-Take-Off Hydraulic Plumbing Assembly	68
Lift Arm Hydraulic Assembly	69
Steering Hydraulic Assembly	70

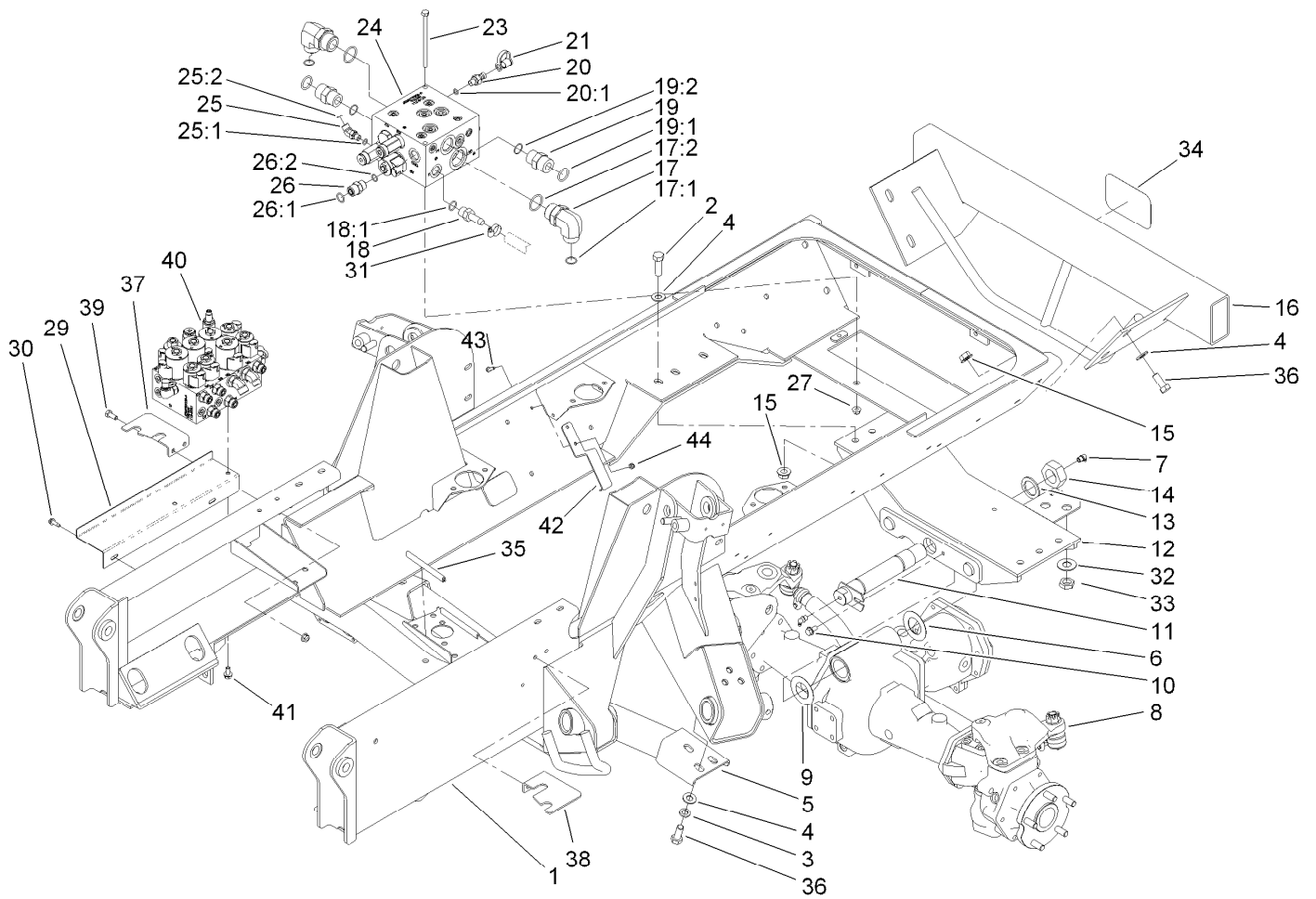
Contents (continued)

Seat Base and Seat Assembly	71
Air Ride Seat Suspension Assembly No. 108-1488	72
Vinyl Premium Seat Assembly No. 117-5676	74
Front Deck, Idler and Skid Assembly	75
Double Driven Spindle Assembly No. 119-4548	77
High Driven Spindle Assembly No. 119-4549	78
Front Deck Caster Arm and Wheel Assembly	79
Spindle Installation Assembly	80
Front Deck Chamber and Cover Assembly	81
Right Deck, Idler and Skid Assembly	82
Low Driven Spindle Assembly No. 119-4776	84
Left Deck Caster Arm and Wheel Assembly	85
Spindle Installation Assembly	86
Right Deck Discharge Chamber and Cover Assembly	87
Left Deck Idler and Skid Assembly	88
Left Deck Caster Arm and Wheel Assembly	90
Spindle Installation Assembly	91
Left Deck Discharge Chamber and Cover Assembly	92
Crankcase Assembly	93
Oil Pan Assembly	94
Cylinder Head Assembly	95
Gear Case Assembly	96
Cylinder Head Cover Assembly	97
Oil Filter Assembly	98
Dipstick and Guide Assembly	99
Oil Pump Assembly	100
Main Bearing Case Assembly	101
Cam Shaft and Idle Gear Assembly	102
Piston and Crankshaft Assembly	103
Flywheel Assembly	104
Fuel Camshaft and Governor Shaft Assembly	105
Idle Apparatus and Stop Solenoid Assembly	106
Injection Pump Assembly	107
Governor Assembly	108
Speed Control Plate Assembly	109
Nozzle Holder and Glow Plug Assembly	110
Alternator and Pulley Assembly	111
Alternator Component Part Assembly	112
Starter Assembly	113
Starter Components Assembly	114
Water Flange and Thermostat Assembly	115
Water Pump Assembly	116
Valve and Rocker Arm Assembly	117
Inlet and Exhaust Manifold Assembly	118
Turbo Charger Assembly	119
Oil Pipe (Turbo Charger) Assembly	120
Oil Cooler Assembly	121
Muffler Gasket, Glow Controller and Operator Manual	122
Upper Gasket Kit	123
Lower Gasket Kit	124
Attachments and Accessories	125



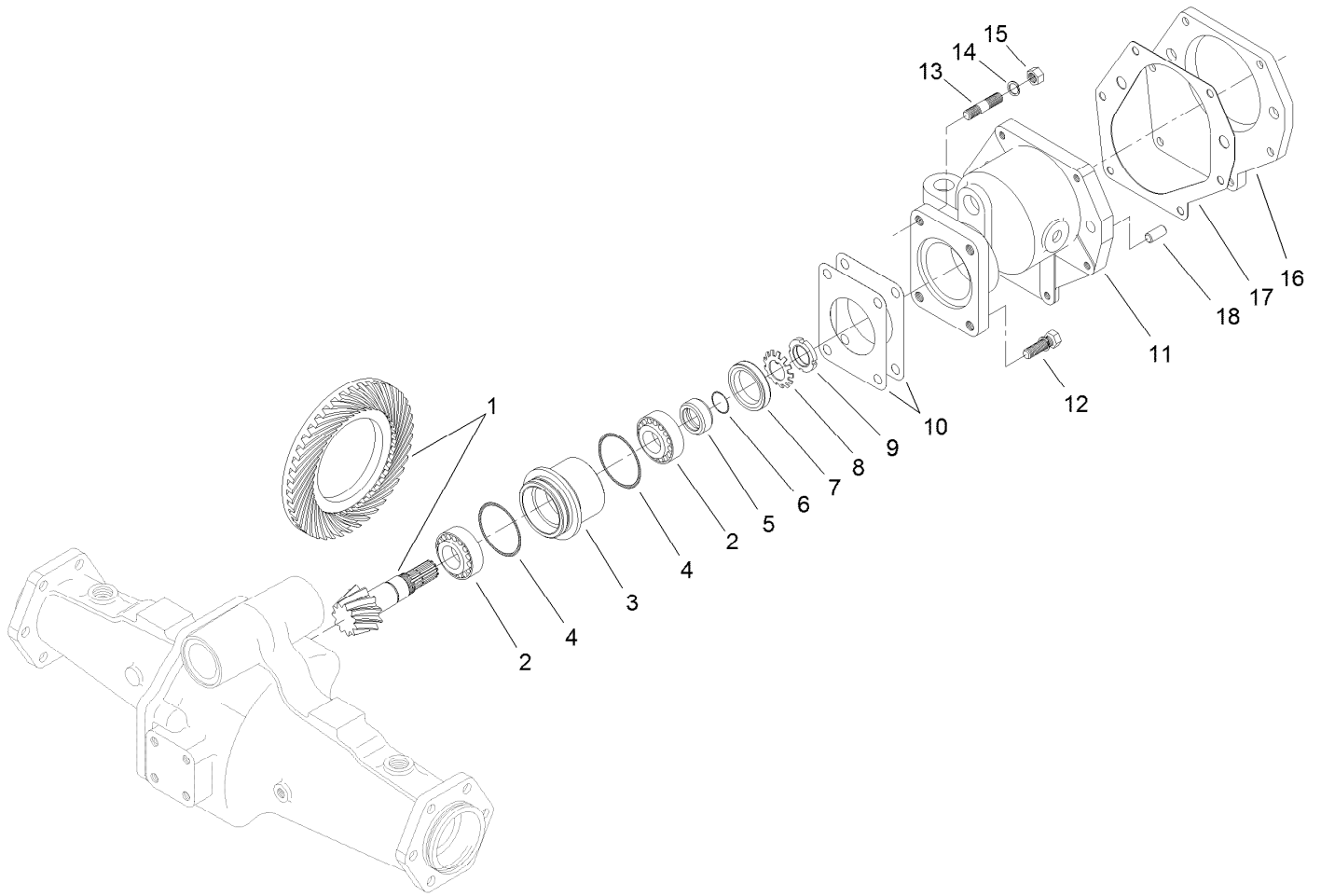
Frame, Rear Axle Mount and Bumper Assembly

Ref.	Part Number	Qty.	Description	Ref.	Part Number	Qty.	Description
1	99-5450-03	1	Frame	19	340-9	2	Fitting-STR
2	325-6	6	Screw-HH	19:1	237-58	1	O-Ring
3	3253-7	6	Washer-Lock	19:2	237-81	1	O-Ring
4	3256-26	16	Washer-Flat	20	354-77	1	Fitting-Quick
5	115-3760-03	1	Support-Frame	20:1	237-78	1	O-Ring
6	99-8432	2	Washer-Thrust	21	354-79	1	Cap-Dust
7	302-33	2	Fitting-Grease	23	322-29	2	Screw-HH
8	110-4750	1	Drive Axle ASM	24	112-9123	1	4-Wheel Drive Manifold ASM
9	99-8431	2	Washer-Thrust	25	340-103	1	Fitting-HYD, 45 DEG
10	32144-14	1	Screw-HWHTF	25:1	237-78	1	O-Ring
11	98-7077	1	Pin-Axle, Rear	25:2	237-21	1	O-Ring
12	107-0230-03	1	Mount-Rear	26	340-4	1	Fitting-Straight
13	92-1765	1	Washer-Thrust	26:1	237-30	1	O-Ring
14	3296-68	1	Nut-Lock, NI	26:2	237-79	1	O-Ring
15	32128-23	10	Nut-HF	27	104-8300	2	Nut-HF, NI
16	104-7505-03	1	Bumper	29	117-5706-03	1	Shield-Splash
17	340-15	2	Fitting-Elbow 90	30	32104-95	2	Screw-HWH
17:1	237-58	1	O-Ring	31	2412-36	1	Clamp-Hose
17:2	237-146	1	O-Ring	32	69-8940	2	Washer
18	354-121	1	Fitting-STR	33	340-70	2	Nut-Lock
18:1	237-79	1	O-Ring				



Frame, Rear Axle Mount and Bumper Assembly (continued)

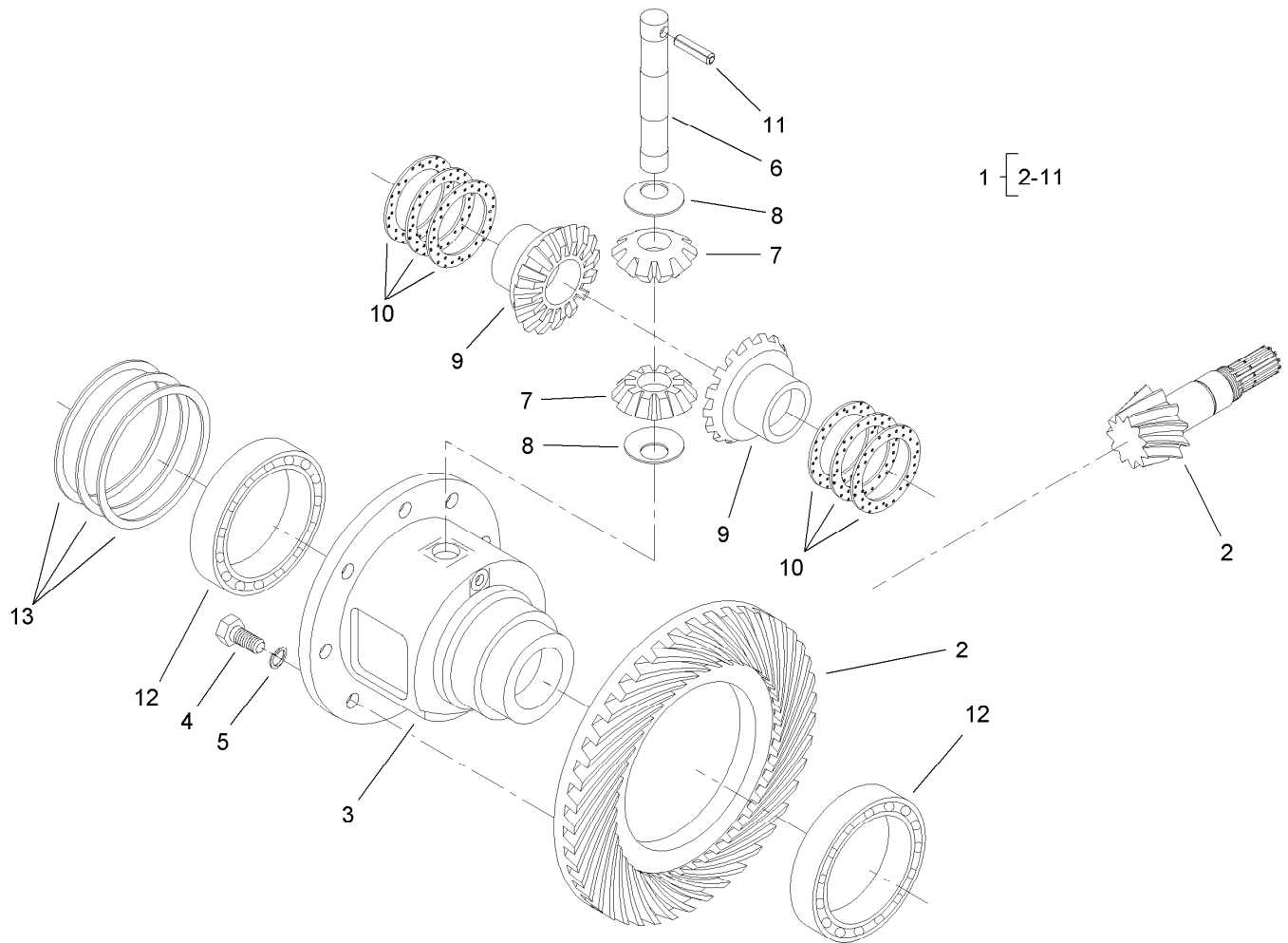
<i>Ref.</i>	<i>Part Number</i>	<i>Qty.</i>	<i>Description</i>	<i>Ref.</i>	<i>Part Number</i>	<i>Qty.</i>	<i>Description</i>
34	67-1300	1	Decal	40	119-0061	1	HYD Lift Manifold ASM
35	108-8079	2	Trim	41	3234-14	2	Screw-HHF
36	325-5	10	Screw-HH	42	119-0070	1	Clamp-Hose
37	117-5707-03	1	Plate-Bulkhead, RH	43	3290-126	2	Screw-HWH
38	117-5708-03	1	Plate-Bulkhaed, LH	44	3296-2	2	Nut-Lock, NI
39	32144-69	4	Screw-HWHTF				



Bevel Pinion Shaft Assembly Rear Axle Assembly No. 110-4750

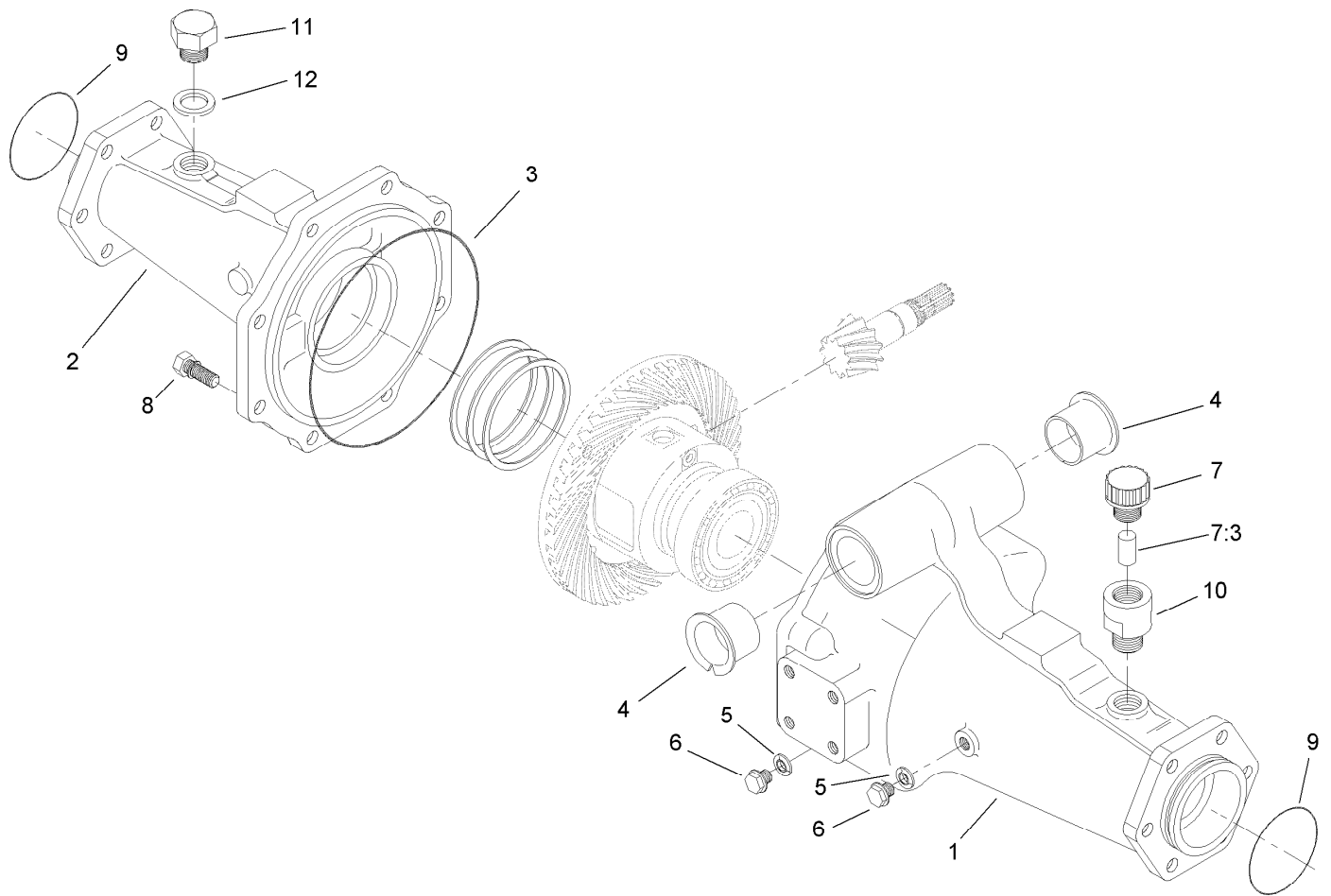
<i>Ref.</i>	<i>Part Number</i>	<i>Qty.</i>	<i>Description</i>
1	106-1093	1	Ring And Pinion Set
2	99-7570	2	Bearing-Roller, Taper
3	95-7534	1	Case-Bearing
4	106-1065	2	O-Ring
5	99-7572	1	Collar-Seal, Oil
6	106-1066	1	O-Ring
7	99-7574	1	Seal-Oil
8	99-7559	1	Washer-Lock
9	99-7560	1	Nut-Lock
10	99-7550	2	Shim 0.1

<i>Ref.</i>	<i>Part Number</i>	<i>Qty.</i>	<i>Description</i>
10	99-7551	2	Shim 0.2
11	95-7533	1	Case-Gear
12	99-7575	2	Bolt
13	98-7735	2	Stud
14	99-7527	2	Washer-Spring
15	99-7526	2	Nut
16	95-7541	1	Plate-Cover
17	106-1140	1	Gasket
18	104-2353	2	Pin-Dowel



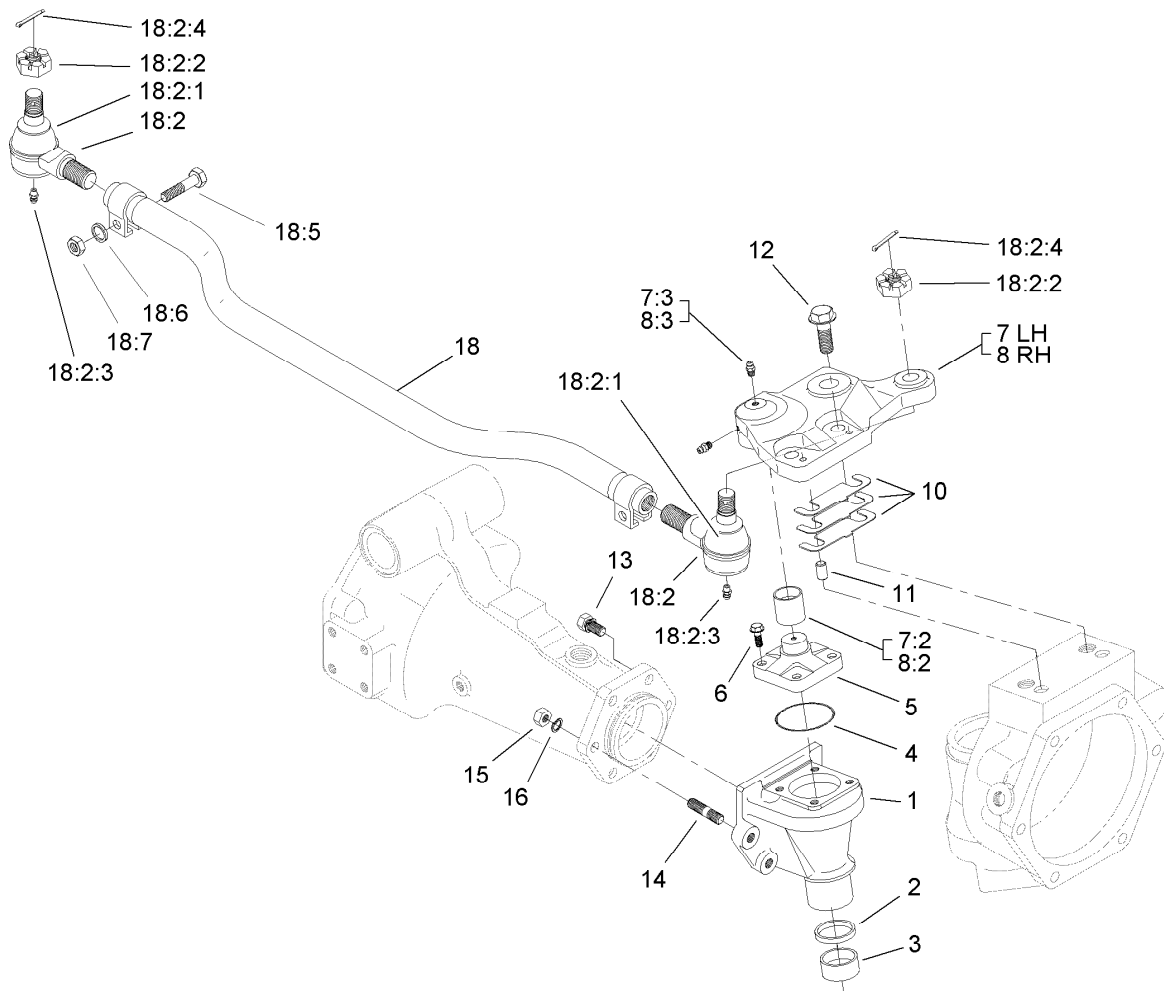
Differential Assembly Rear Axle Assembly No. 110-4750

Ref.	Part Number	Qty.	Description
1	95-7503	1	Differential ASM
2	100-2555	1	Ring And Pinion Matched Set
3	95-7502	1	Case-Differential
4	99-7576	8	Bolt
5	3253-4	8	Washer-Lock
6	99-7578	1	Shaft-Differential
7	99-7579	2	Pinion-Differential
8	99-7580	2	Washer-Differential
9	99-7581	2	Gear-Differential
10	99-7582	2	Washer-Differential
10	99-7583	2	Washer-Differential
10	99-7584	2	Washer-Differential
11	99-7588	1	Pin-Spring
12	99-7562	2	Bearing-Ball
13	99-7585	2	Shim 0.1
13	99-7586	2	Shim 0.2
13	99-7587	2	Shim 0.4



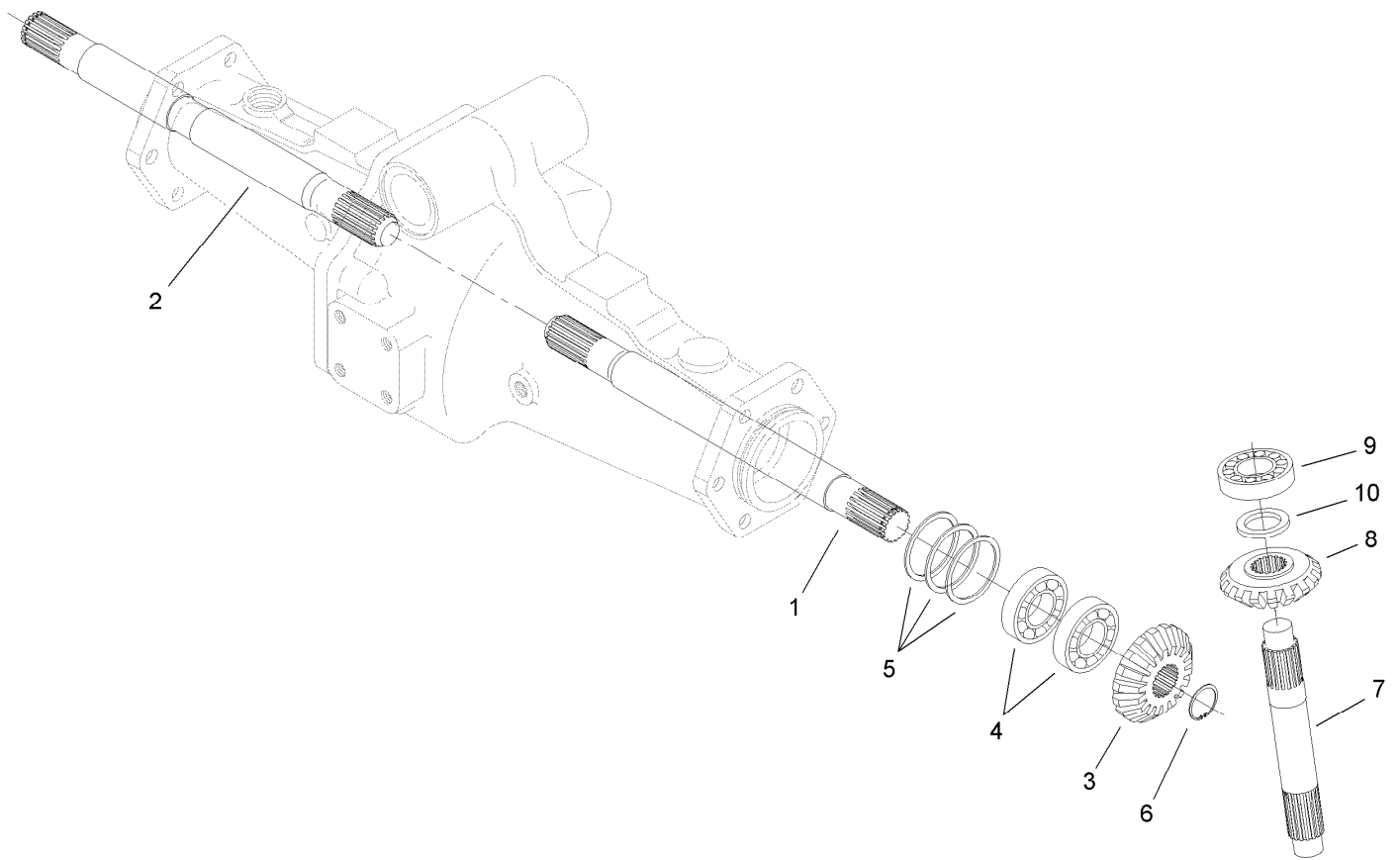
Axle Support Assembly Rear Axle Assembly No. 110-4750

<i>Ref.</i>	<i>Part Number</i>	<i>Qty.</i>	<i>Description</i>
1	95-7508	1	Support-Axle
2	95-7506	1	Support-Axle
3	106-1067	1	O-Ring
4	95-7537	2	Bushing-Flanged
5	99-7590	2	Washer-Seal
6	99-7589	2	Plug
7	110-4812	1	Axle Vent ASM
7:3	110-4815	1	Insert-Filter, Foam
8	99-7592	8	Bolt
9	106-1068	2	O-Ring
10	104-2377	1	Extension-Vent
11	104-8643	1	Plug
12	104-8644	1	O-Ring



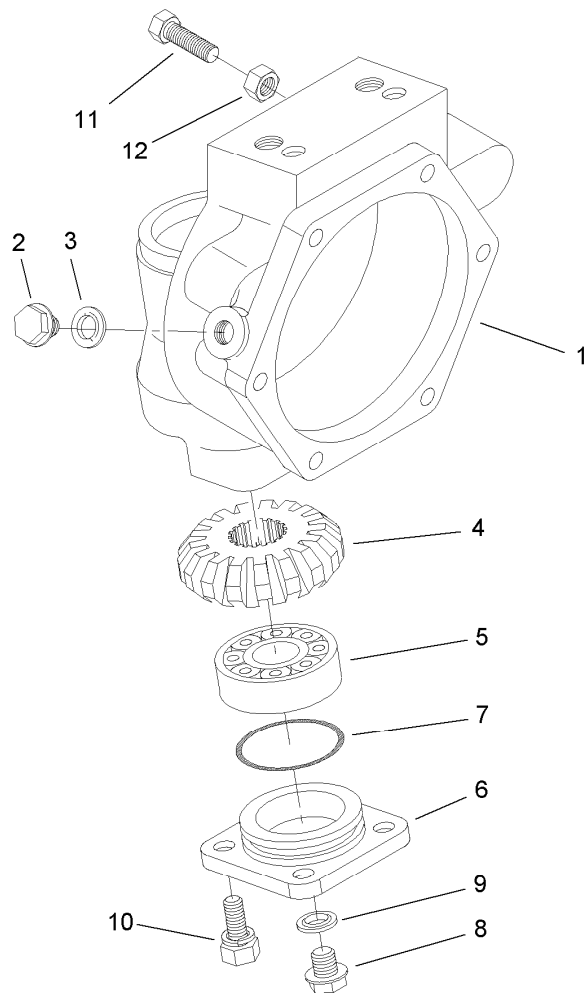
Bevel Gear Case Assembly Rear Axle Assembly No. 110-4750

Ref.	Part Number	Qty.	Description	Ref.	Part Number	Qty.	Description
1	110-4752	2	Case-Gear, Bevel	12	104-2375	4	Bolt
2	110-4754	2	Seal-Oil	13	99-7599	8	Bolt
3	104-2378	2	Bushing	14	99-7525	4	Stud
4	106-1069	2	O-Ring	15	99-7526	4	Nut
5	104-2373	2	Knuckle	16	99-7527	4	Washer-Spring
6	104-2374	8	Bolt	18	106-1141	1	Steering Tie Rod ASM
7	100-3768	1	LH Steering Arm ASM	18:2	106-1113	2	Tie Rod End ASM - RH
7:2	104-8634	1	Bushing				Thread
7:3	106-1104	2	Fitting-Grease	18:2:1	100-3853	1	Cover-Dust
8	100-3766	1	RH Steering Arm ASM	18:2:2	100-3854	1	Nut-Castle
8:2	104-8634	1	Bushing	18:2:3	110-4755	1	Fitting-Grease
8:3	106-1104	2	Fitting-Grease	18:2:4	3272-11	1	Pin-Cotter
10	95-7547	2	Shim 0.1	18:5	100-3855	2	Bolt
10	95-7548	2	Shim 0.2	18:6	99-7527	2	Washer-Spring
10	95-7549	2	Shim 0.3	18:7	99-7526	2	Nut
11	99-7597	4	Pin-Dowel				



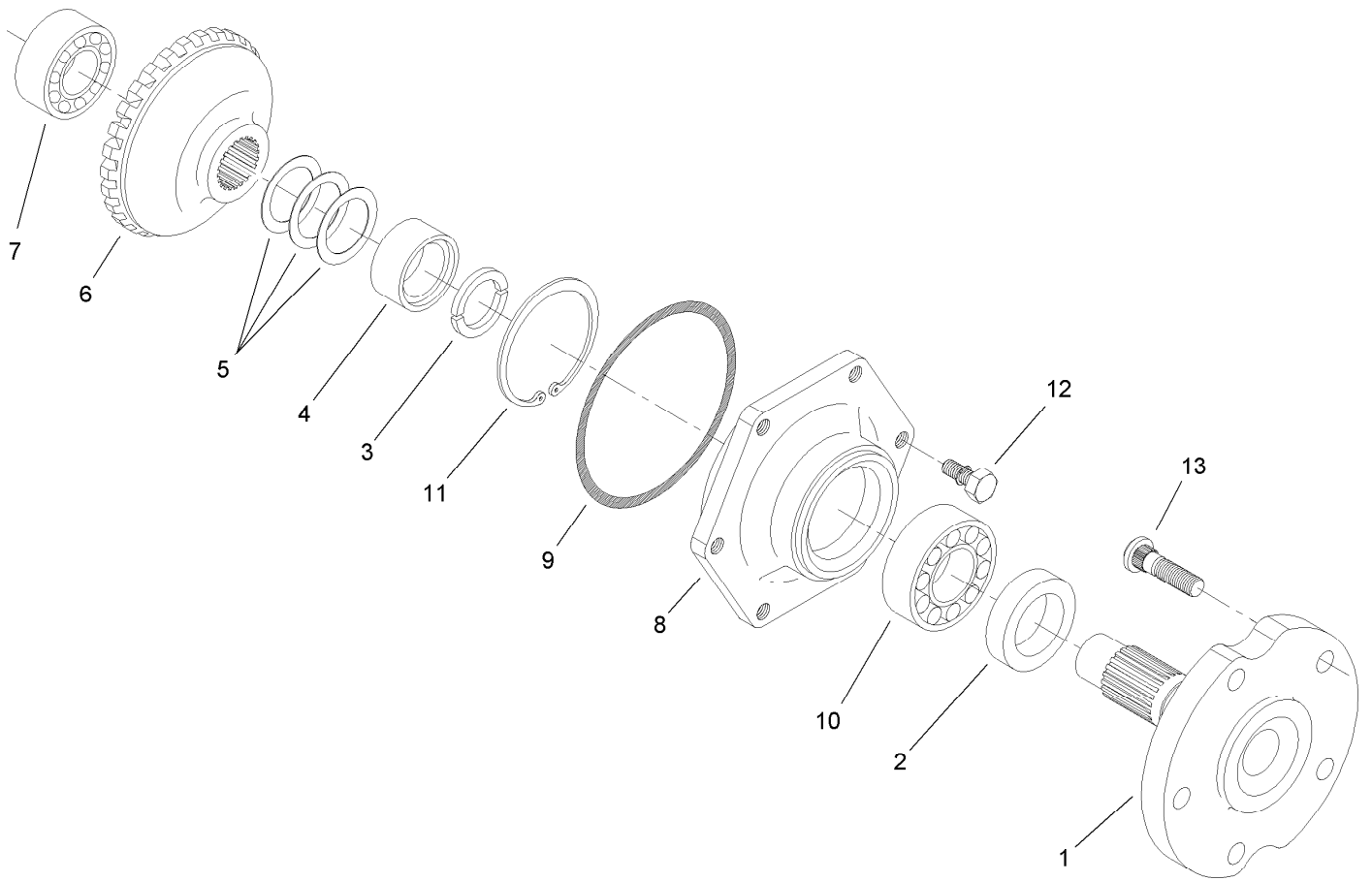
Bevel Gear Shaft Assembly Rear Axle Assembly No. 110-4750

<i>Ref.</i>	<i>Part Number</i>	<i>Qty.</i>	<i>Description</i>
1	95-7509	1	Shaft-Gear, Differential
2	95-7512	1	Shaft-Gear, Differential
3	95-7517	2	Gear-Bevel, 15 Tooth
4	99-7530	4	Bearing-Ball
5	99-7552	2	Shim 0.1
5	99-7553	2	Shim 0.2
5	99-7554	2	Shim 0.5
6	99-7531	2	Clip
7	110-4753	2	Shaft-Gear, Bevel
8	95-7519	2	Gear-Bevel, 17 Tooth
9	99-7532	2	Bearing-Roller, Taper
10	99-7558	2	Collar



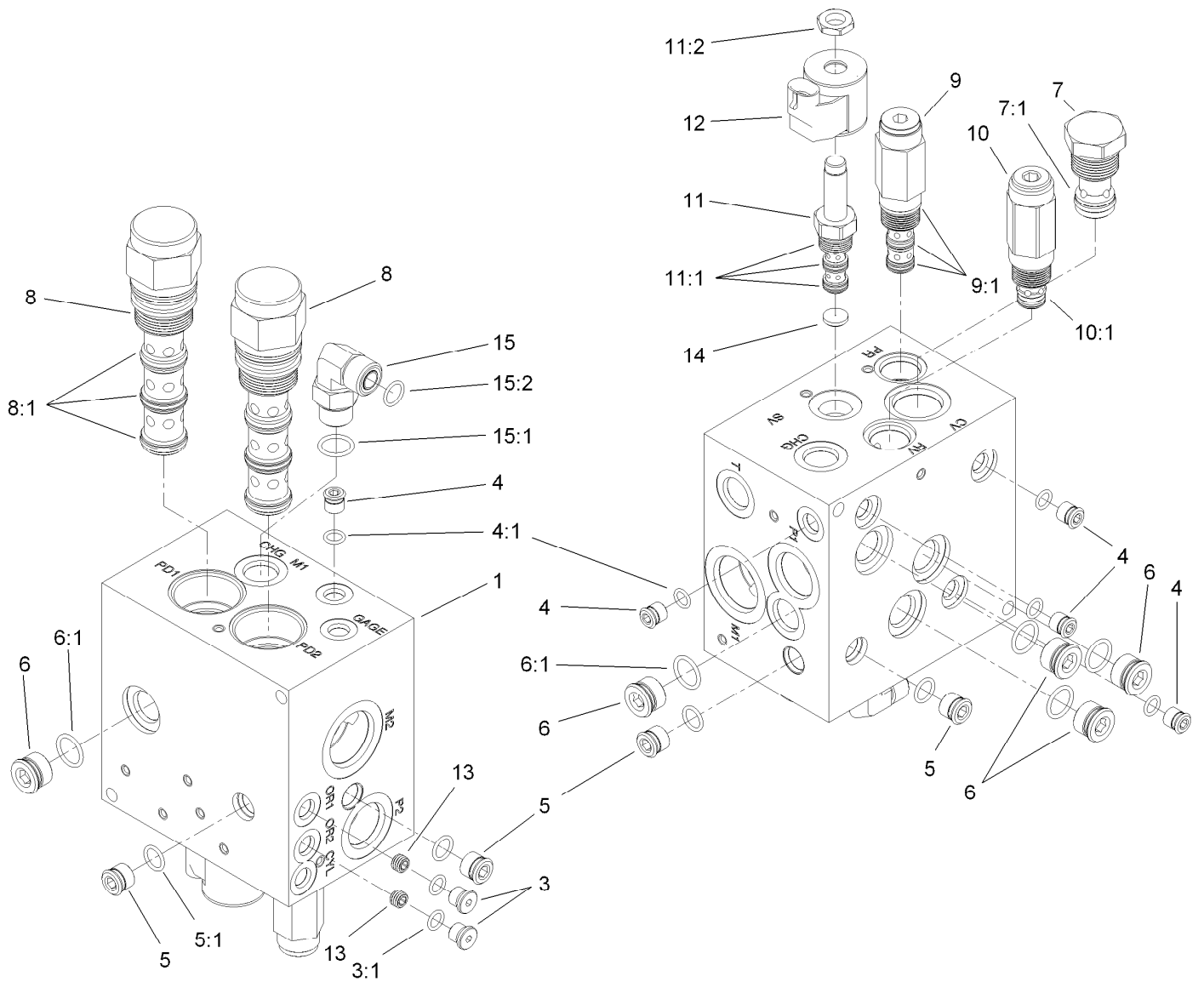
Axle Case Assembly Rear Axle Assembly No. 110-4750

<i>Ref.</i>	<i>Part Number</i>	<i>Qty.</i>	<i>Description</i>
1	110-4751	2	Case-Axle
2	99-7535	2	Plug
3	99-7536	2	Washer-Seal
4	95-7527	2	Gear-Bevel, 17 Tooth
5	99-7532	2	Bearing-Roller, Taper
6	100-2560	2	Cover
7	106-1070	2	O-Ring
8	99-7589	2	Plug
9	99-7590	2	Washer-Seal
10	100-2562	8	Bolt
11	106-1102	2	Bolt-Stop
12	106-1103	2	Nut



Axle Assembly Rear Axle Assembly No. 110-4750

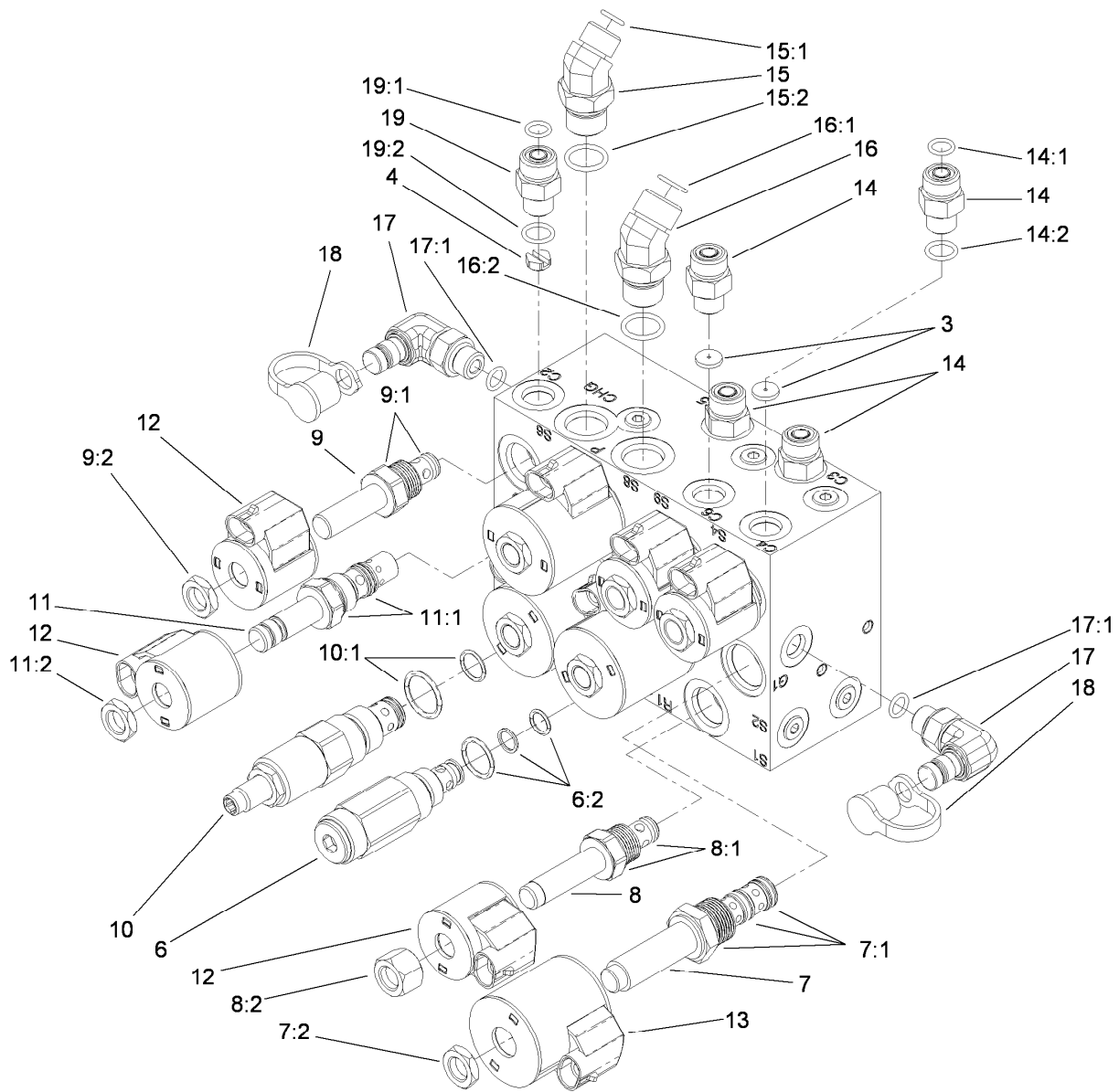
<i>Ref.</i>	<i>Part Number</i>	<i>Qty.</i>	<i>Description</i>
1	95-7522	2	Axle
2	99-7564	2	Seal-Oil
3	95-7544	4	Clip
4	95-7523	2	Spacer
5	99-7555	2	Shim 0.3
5	99-7556	2	Shim 0.2
5	99-7557	2	Shim 0.5
6	95-7524	2	Gear-Bevel, 29 Tooth
7	99-7534	2	Bearing-Ball
8	95-7521	2	Cover-Axle
9	106-1071	2	O-Ring
10	99-7561	2	Bearing-Ball
11	99-7539	2	Clip
12	99-7596	12	Bolt
13	99-7563	10	Stud



4-Wheel Drive Manifold Assembly No. 112-9123

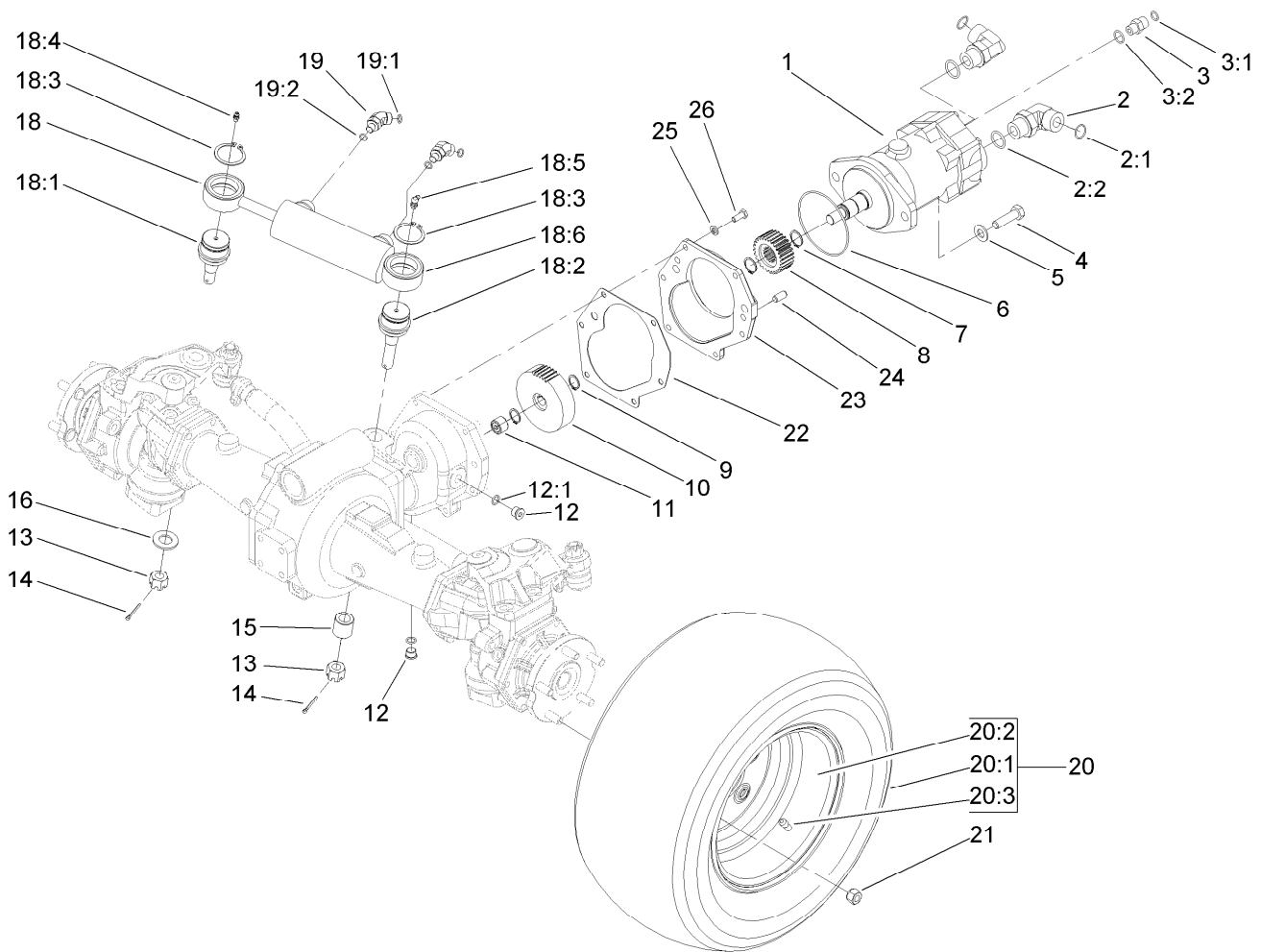
Ref.	Part Number	Qty.	Description	Ref.	Part Number	Qty.	Description
1		1	Manifold Block ●	9	110-0499	1	Valve-Reducing, Pressure
3	353-990	2	Plug ASM	9:1	105-9154	1	Seal Kit
3:1	237-78	1	O-Ring	10	110-0493	1	Valve-Relief
4	106-1025	5	Plug-HYD	10:1	110-6316	1	Seal Kit
4:1	237-78	1	O-Ring	11	110-0494	1	Valve-Solenoid
5	106-1026	4	Plug-HYD	11:1	110-8773	1	Seal Kit
5:1	237-42	1	O-Ring	11:2	110-2634	1	Nut-Coil
6	106-1027	5	Plug	12	110-0497	1	Coil-Solenoid
6:1	237-79	1	O-Ring	13	110-0495	2	Plug-Orifice (0.050 Inch)
7	110-0468	1	Valve-Check, 5 PSI	14	110-0498	1	Orifice (.030)
7:1	110-0470	1	Seal Kit	15	340-98	1	Fitting-Elbow, 90 DEG
8	110-0491	2	Valve-Directional	15:1	237-79	1	O-Ring
8:1	106-6775	1	Seal Kit	15:2	237-30	1	O-Ring

● Not serviced separately



Lift Manifold Assembly No. 119-0061

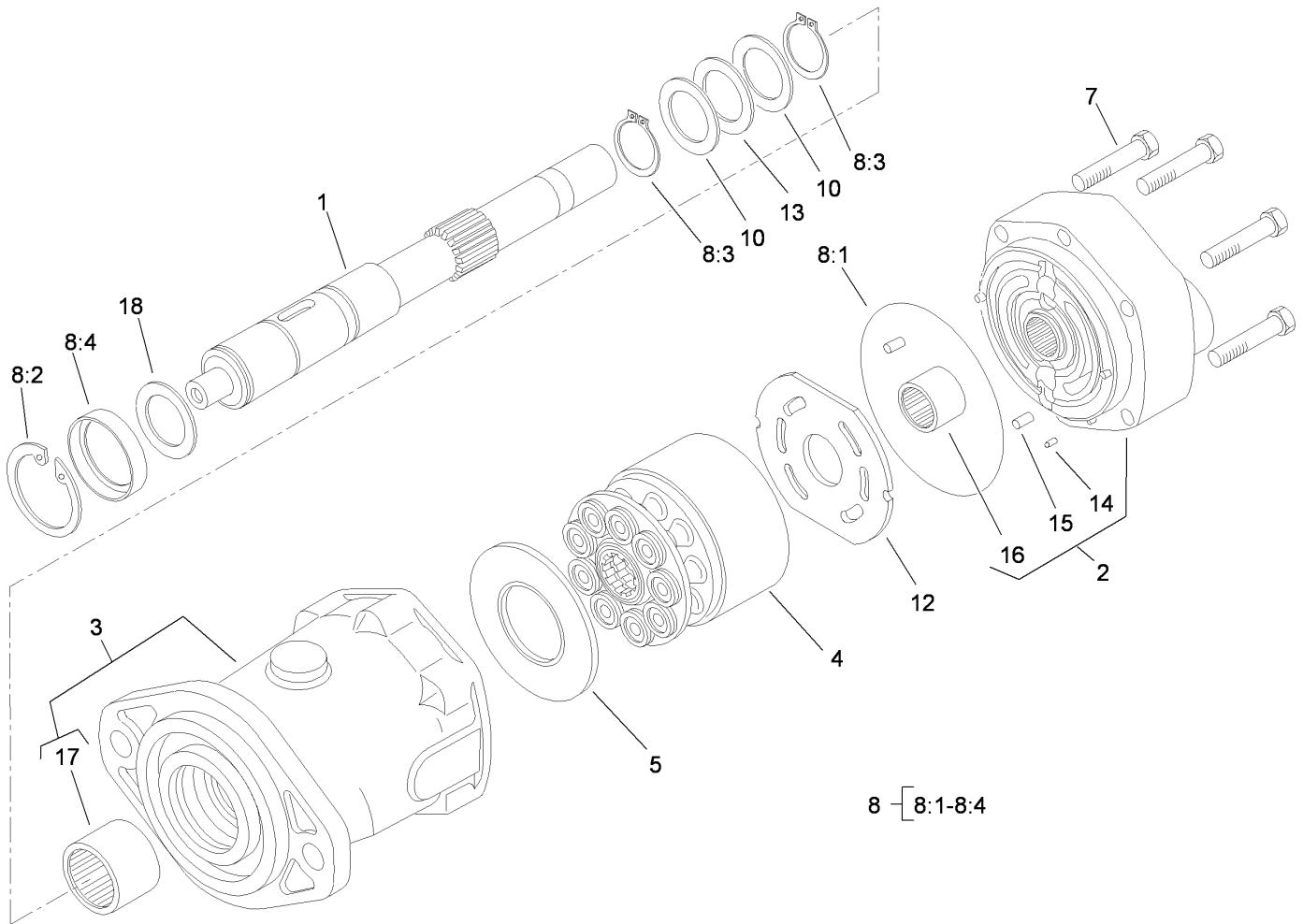
Ref.	Part Number	Qty.	Description	Ref.	Part Number	Qty.	Description
3	117-4757	2	Orifice-Disk, .063	12	110-0497	5	Coil-Solenoid
4	119-5342	1	Orifice-Control, Flow (.035)	13	110-6344	4	Coil-12V, DC
6	105-9844	1	Valve-Relief	14	340-2	4	Fitting-Straight
6:2	105-9156	1	Seal Kit	14:1	237-22	1	O-Ring
7	115-5400	4	Solenoid Valve ASM	14:2	237-42	1	O-Ring
7:1	107-7813	1	Seal Kit	15	340-138	1	Fitting-HYD, 45 DEG
7:2	110-2634	1	Nut-Coil	15:1	237-79	1	O-Ring
8	107-7517	1	Valve-Solenoid	15:2	237-22	1	O-Ring
8:1	105-9156	1	Seal Kit	16	340-101	1	Fitting-HYD, 45 DEG
8:2	107-7812	1	Nut-Solenoid	16:1	237-30	1	O-Ring
9	112-9206	3	Solenoid Valve ASM	16:2	237-79	1	O-Ring
9:1	105-9156	1	Seal Kit	17	115-9147	2	Fitting-Elbow, 90 DEG
9:2	110-2634	1	Nut-Coil	17:1	237-78	1	O-Ring
10	119-0062	1	Valve-Relief	18	354-79	2	Cap-Dust
10:1	110-6316	1	Seal Kit	19	119-5343	1	Fitting-HYD, Straight
11	115-5405	1	Solenoid Valve ASM	19:1	237-22	1	O-Ring
11:1	115-5413	1	Seal Kit	19:2	237-42	1	O-Ring
11:2	110-2634	1	Nut-Coil				



4 Wheel Drive Rear Axle and Tire Assembly

Ref.	Part Number	Qty.	Description	Ref.	Part Number	Qty.	Description
1	104-0764	1	Piston Motor ASM	18	105-0775	1	Steering Cylinder ASM
2	340-142	2	Fitting-Elbow, 90 DEG	18:1	106-6774	1	Joint-Ball
2:1	237-58	1	O-Ring	18:2	100-3795	1	Joint-Ball
2:2	237-81	1	O-Ring	18:3	32151-104	2	Ring-Retaining, External
3	340-2	1	Fitting-Straight	18:4	302-5	1	Fitting-Grease
3:1	237-22	1	O-Ring	18:5	302-60	1	Fitting-Grease
3:2	237-42	1	O-Ring	18:6		1	Cylinder-Steering ●
4	325-7	2	Screw-HH	19	340-54	2	Elbow-45 DEG
5	3256-26	2	Washer-Flat	19:1	237-22	1	O-Ring
6	237-166	1	O-Ring	19:2	237-78	1	O-Ring
7	32120-76	2	Ring-Snap, EXT	20		2	Wheel And Tire ASM ●
8	104-0755	1	Pinion-27 Tooth	20:1	94-5236	1	Tire
9	32120-15	2	Ring-Snap, EXT	20:2	100-2582	1	Rim
10	100-3053	1	Gear-45 Tooth	20:3	232-27	1	Stem-Valve
11	74-5700	1	Bearing-Needle, Roller	21	93-5268	10	Nut-Lug
12	353-989	2	Plug-Hex, Hollow	22	106-1140	1	Gasket
12:1	237-42	1	O-Ring	23	95-7541	1	Plate-Cover
13	32136-14	2	Nut-Hst	24	104-2353	2	Pin-Dowel
14	3272-12	2	Pin-Cotter	25	3253-4	6	Washer-Lock
15	100-3796	1	Spacer-Joint, Ball	26	33114-020	6	Screw-HH
16	92-5836	1	Washer				

● Not serviced separately

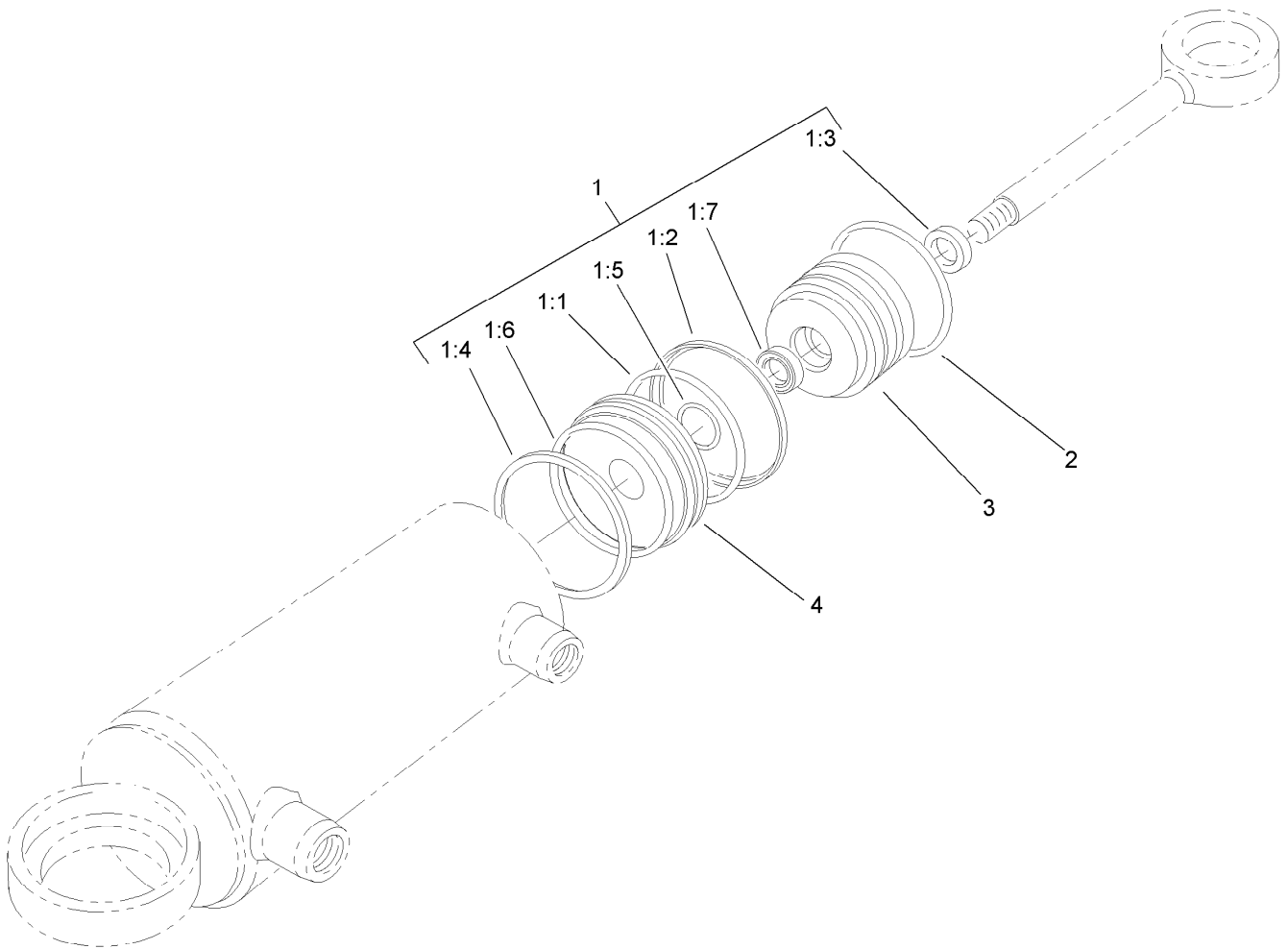


8 [8:1-8:4

Piston Motor Assembly No. 104-0764

Ref.	Part Number	Qty.	Description
1	105-2853	1	Shaft-Drive
2	105-2854	1	Backplate ASM
3	105-2855	1	Housing ASM
4	76-6910	1	Rotating Kit
5	76-6970	1	Insert-Plate, Cam
7	94-3002	6	Screw-Cap
8	106-6876	1	Seal Kit
8:1		1	O-Ring ●
8:2	76-7010	1	Ring-Retaining
8:3	76-7000	2	Ring-Retaining
8:4		1	Seal-Shaft ●
10	76-6950	2	Race-Thrust
12	94-3003	1	Plate-Valve
13	76-6960	1	Bearing-Thrust
14		3	Pin-Dowel ●
15		1	Pin-Dowel ●
16		1	Bearing-Needle ●
17		1	Bearing-Needle ●
18	60-6240	1	Washer

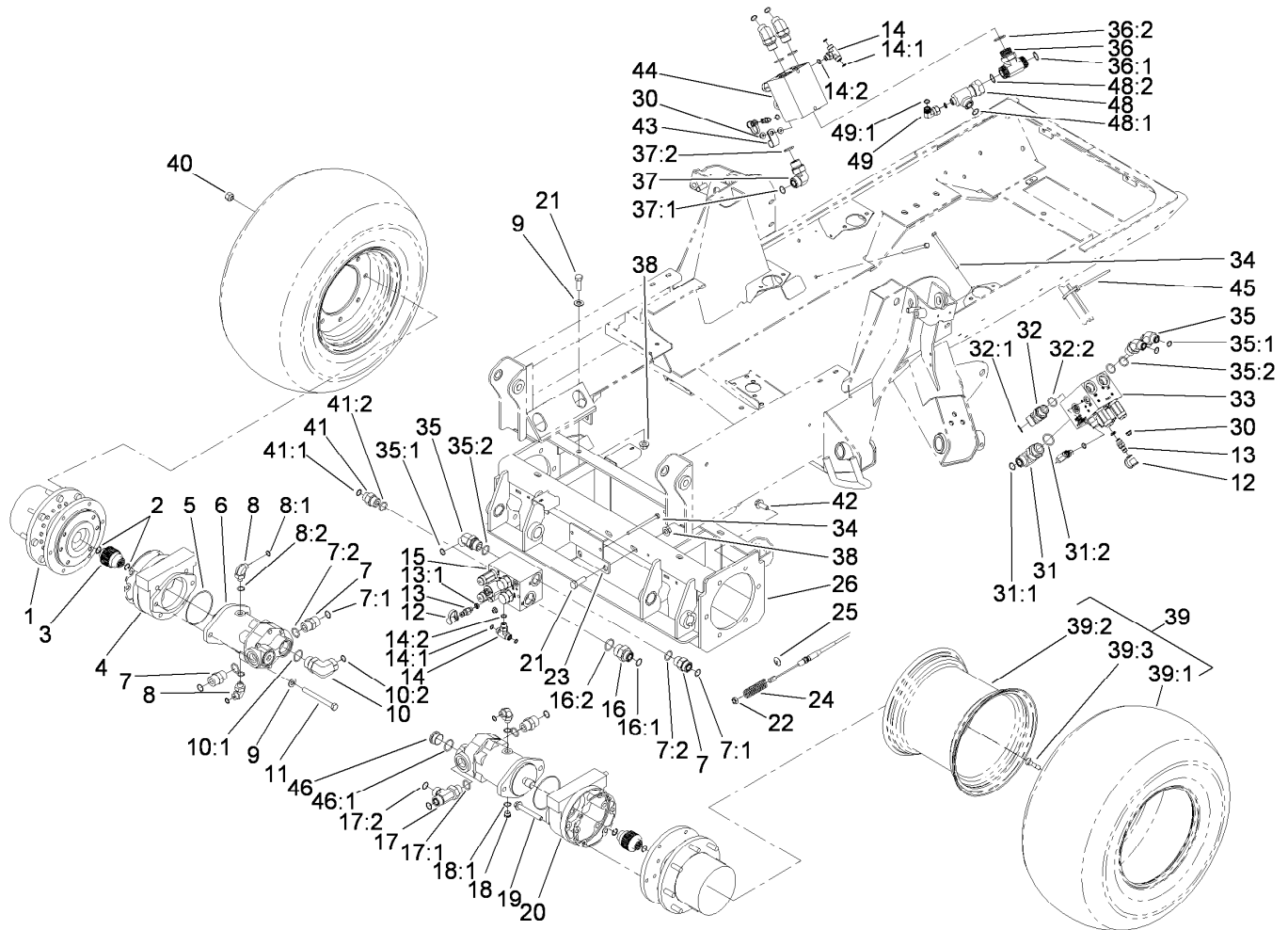
● Not serviced separately



Steering Cylinder Assembly No. 105-0775

Ref.	Part Number	Qty.	Description
1	107-0245	1	Seal Kit
1:1		1	O-Ring ●
1:2		1	Back-Up ●
1:3		1	Wiper ●
1:4		1	Seal ●
1:5		1	O-Ring ●
1:6		1	O-Ring ●
1:7		1	Seal ●
2		1	Ring-Retaining ●
3		1	Head ●
4		1	Piston ●

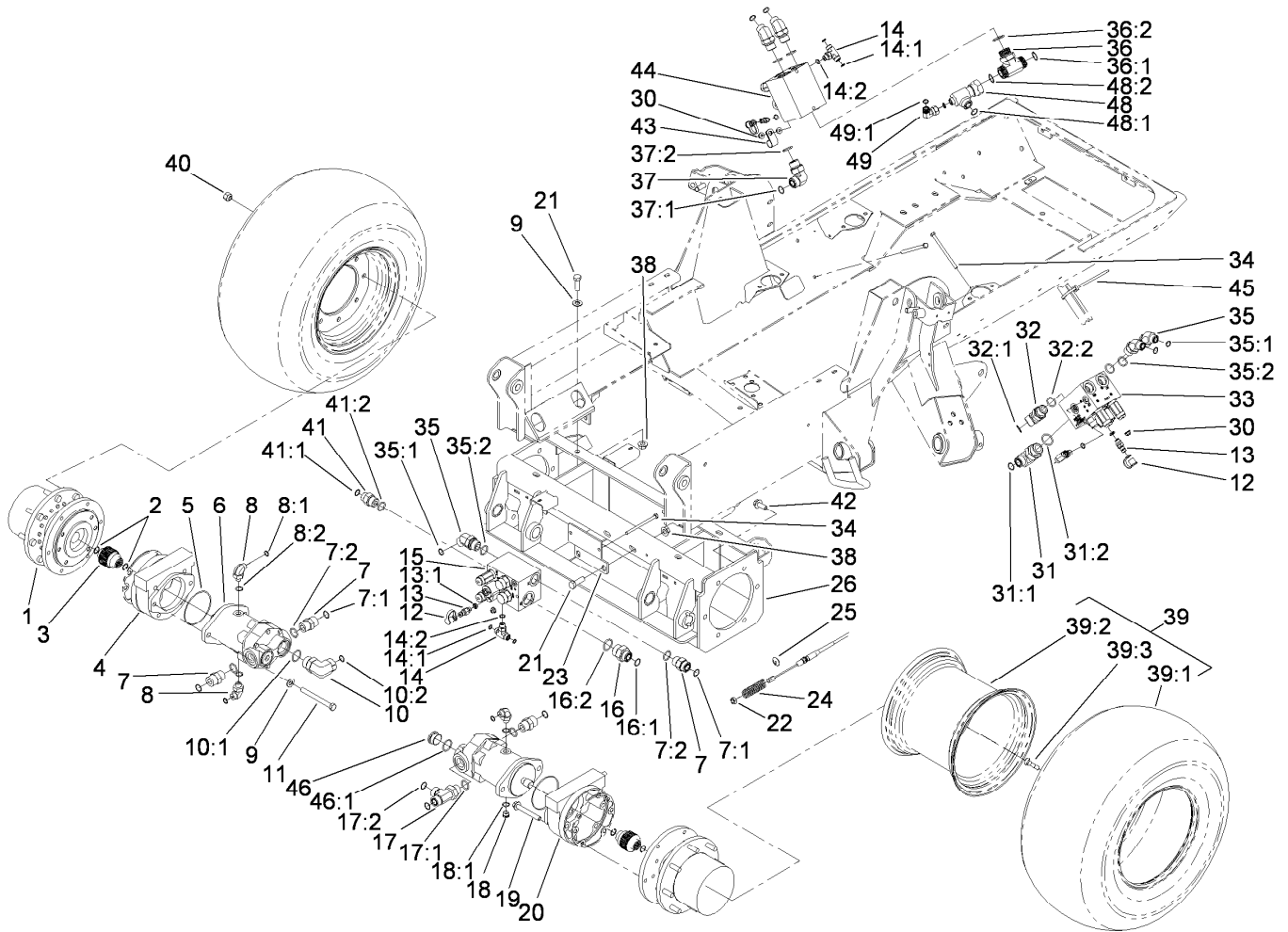
● Not serviced separately



Planetary, Brake and Tire Assembly

Ref.	Part Number	Qty.	Description	Ref.	Part Number	Qty.	Description
1	105-4588	2	Planetary ASM	16:1	237-58	1	O-Ring
2	93-7972	4	Ring-Retaining, Internal	16:2	237-146	1	O-Ring
3	100-3046	2	Shaft-Brake, Splined	17	340-148	1	Fitting-Tee
4	100-3069-03	1	Brake ASM	17:1	237-81	1	O-Ring
5	237-166	2	O-Ring	17:2	237-58	2	O-Ring
6	100-3052	2	Piston Motor ASM	18	353-989	1	Plug-Hex, Hollow
7	340-9	4	Fitting-STR	18:1	237-42	1	O-Ring
7:1	237-58	1	O-Ring	19	33106-090	8	Screw-HHF
7:2	237-81	1	O-Ring	20	100-3070-03	1	Brake ASM
8	340-99	3	Fitting-HYD, 90 DEG	21	325-6	8	Screw-HH
8:1	237-30	1	O-Ring	22	3218-4	2	Nut-Jam
8:2	237-42	1	O-Ring	23	104-0746-03	1	Bracket-Manifold
9	3256-26	10	Washer-Flat	24	94-3088	2	Spring-Compression
10	340-129	1	Fitting-Elbow, 90 DEG	25	119-0111	4	Plate-Spring
10:1	237-146	1	O-Ring	26	114-9775-03	1	Frame-Front
10:2	340-65	1	O-Ring	30	104-8300	7	Nut-HF, NI
11	33116-120	4	Screw-HH	31	340-15	1	Fitting-Elbow 90
12	354-79	3	Cap-Dust	31:1	237-58	1	O-Ring
13	354-77	3	Fitting-Quick	31:2	237-146	1	O-Ring
13:1	237-78	1	O-Ring	32	100-5530	1	Fitting-45 DEG
14	340-94	3	Adapter	32:1	237-58	1	O-Ring
14:1	237-22	2	O-Ring	32:2	237-81	1	O-Ring
14:2	237-42	1	O-Ring	33	115-8469	1	PTO Manifold ASM
15	115-8467	1	PTO Manifold ASM	34	322-38	6	Screw-HH
16	340-91	1	Fitting-STR	35	340-156	5	Fitting-Elbow 45

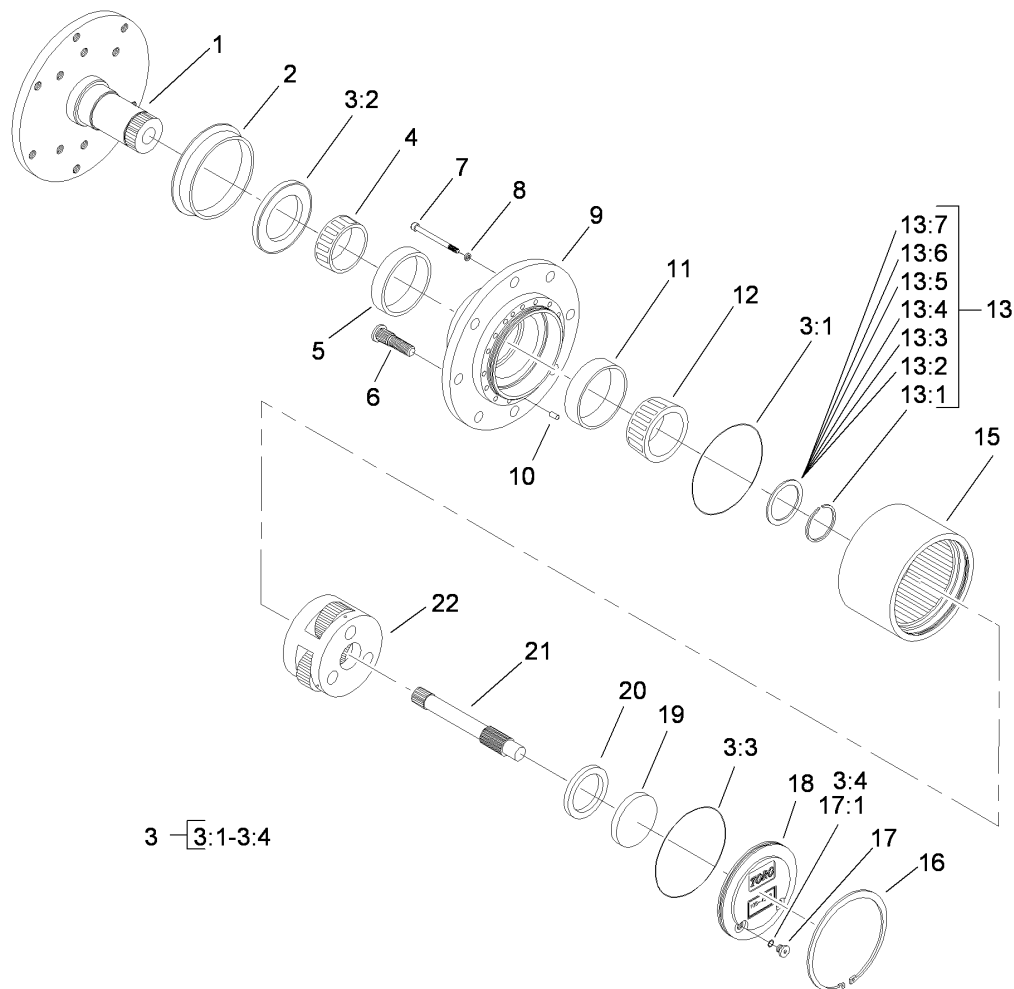
● Not serviced separately



Planetary, Brake and Tire Assembly (continued)

Ref.	Part Number	Qty.	Description	Ref.	Part Number	Qty.	Description
35:1	237-65	1	O-Ring	41	340-8	1	Fitting-Straight
35:2	237-81	1	O-Ring	41:1	237-65	1	O-Ring
36	104-7501	1	Fitting-HYD	41:2	237-81	1	O-Ring
36:1	340-65	2	O-Ring	42	33106-030	12	Screw-HHF
36:2	237-146	1	O-Ring	43	2412-81	1	Clamp-R
37	340-142	1	Fitting-Elbow, 90 DEG	44	115-8468	1	PTO Manifold ASM
37:1	237-58	1	O-Ring	45	3290-378	3	Tie-Cable
37:2	237-81	1	O-Ring	46	106-2030	1	Plug-Hex, Hollow
38	32128-23	8	Nut-HF	46:1	237-146	1	O-Ring
39		2	Wheel And Tire ASM ●	48	115-8472	1	Fitting-HYD, Tee
39:1	119-8313	1	Tire	48:1	237-30	1	O-Ring
39:2	119-8314	1	Rim	48:2	237-58	1	O-Ring
39:3	232-27	1	Stem-Valve	49	94-6031	1	Elbow-90
40	242-50	16	Nut-Lug	49:1	237-30	1	O-Ring

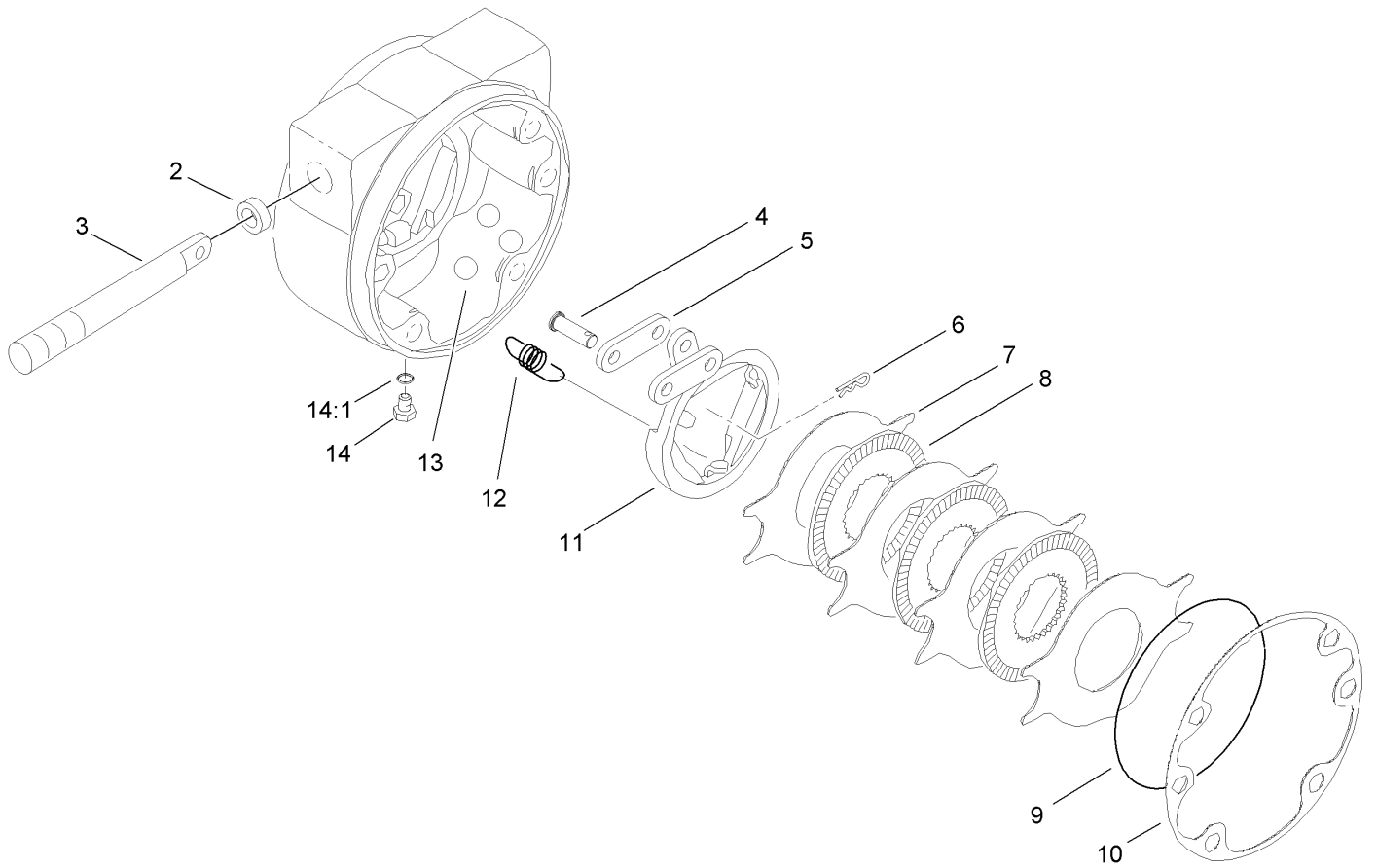
● Not serviced separately



Planetary Assembly No. 105-4588

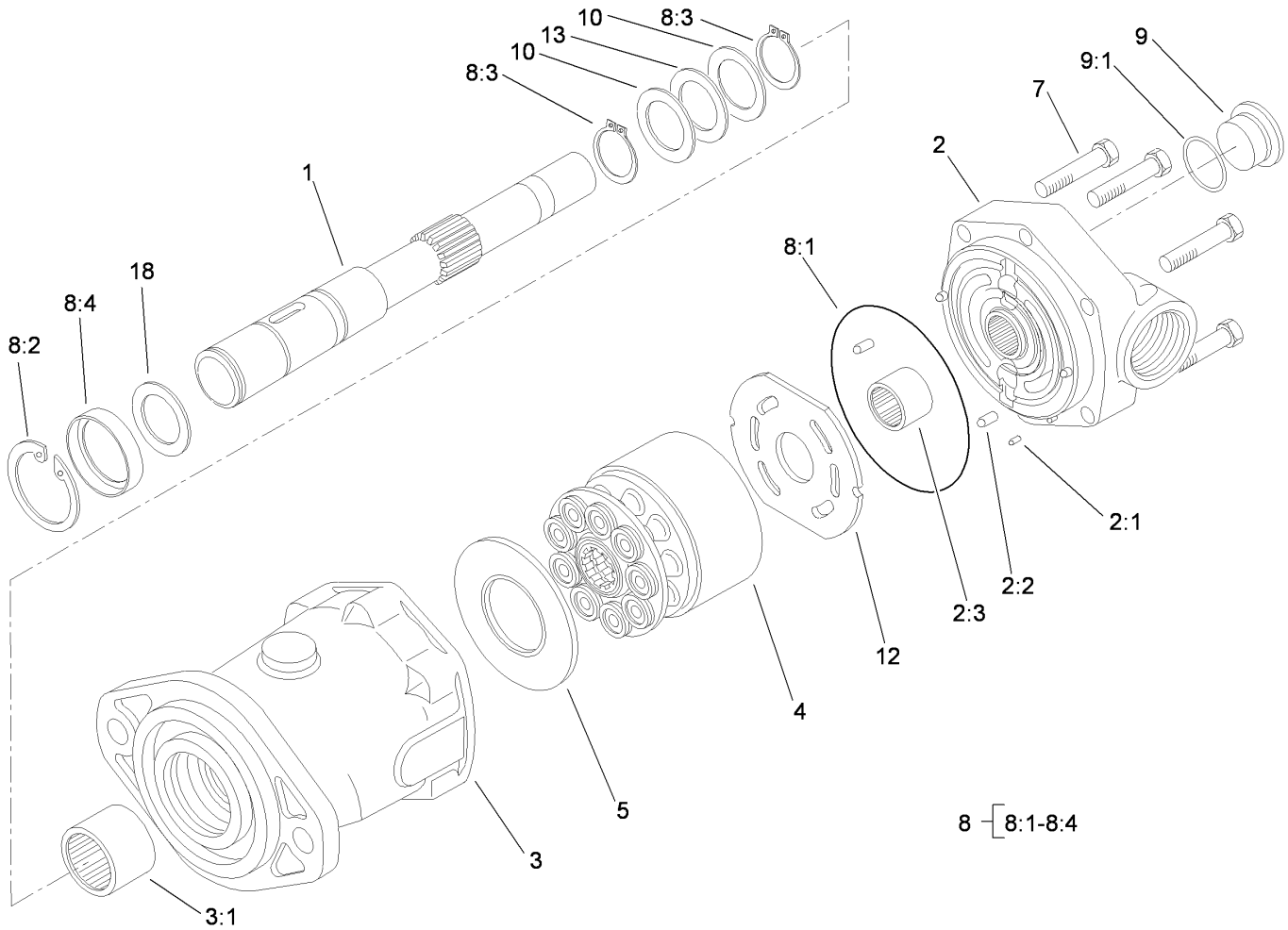
Ref.	Part Number	Qty.	Description	Ref.	Part Number	Qty.	Description
1		1	Spindle ●	13:1		1	Ring-Snap ●
2	105-8122	1	Seal-Boot	13:2		1	Shim-Bearing, 2.9Mm ●
3	105-8137	1	Seal Kit	13:3		1	Shim-Bearing, 2.8Mm ●
3:1		1	O Ring-Flange Cap ●	13:4		1	Shim-Bearing, 2.7Mm ●
3:2		1	Seal-Oil ●	13:5		1	Shim-Bearing, 2.6Mm ●
3:3		2	O Ring-End Cap ●	13:6		1	Shim-Bearing, 2.5Mm ●
3:4	237-78	2	O-Ring	13:7		1	Shim-Bearing, 2.4Mm ●
4	105-8120	1	Bearing-Cone	15	105-8113	1	Gear-Ring
5	105-8119	1	Bearing-Cup	16	105-8132	1	Ring-Retaining
6	105-8124	8	Stud-Wheel	17	353-990	2	Plug ASM
7	105-8125	16	Bolt-Head, Socket	17:1	237-78	1	O-Ring
8	3253-18	16	Washer-Lock	18	105-8138	1	Cap-End
9		1	Housing ●	19	105-8135	1	Plug-Thrust
10	105-8121	2	Pin-Dowel	20	106-6864	1	Washer-Thrust
11	105-8117	1	Bearing-Cup	21	105-8116	1	Shaft-Drive
12	105-8118	1	Bearing-Cone	22	106-6865	1	Secondary Carrier ASM
13	105-8136	1	Shim Kit				

● Not serviced separately



Brake Assembly No. 100-3069-03

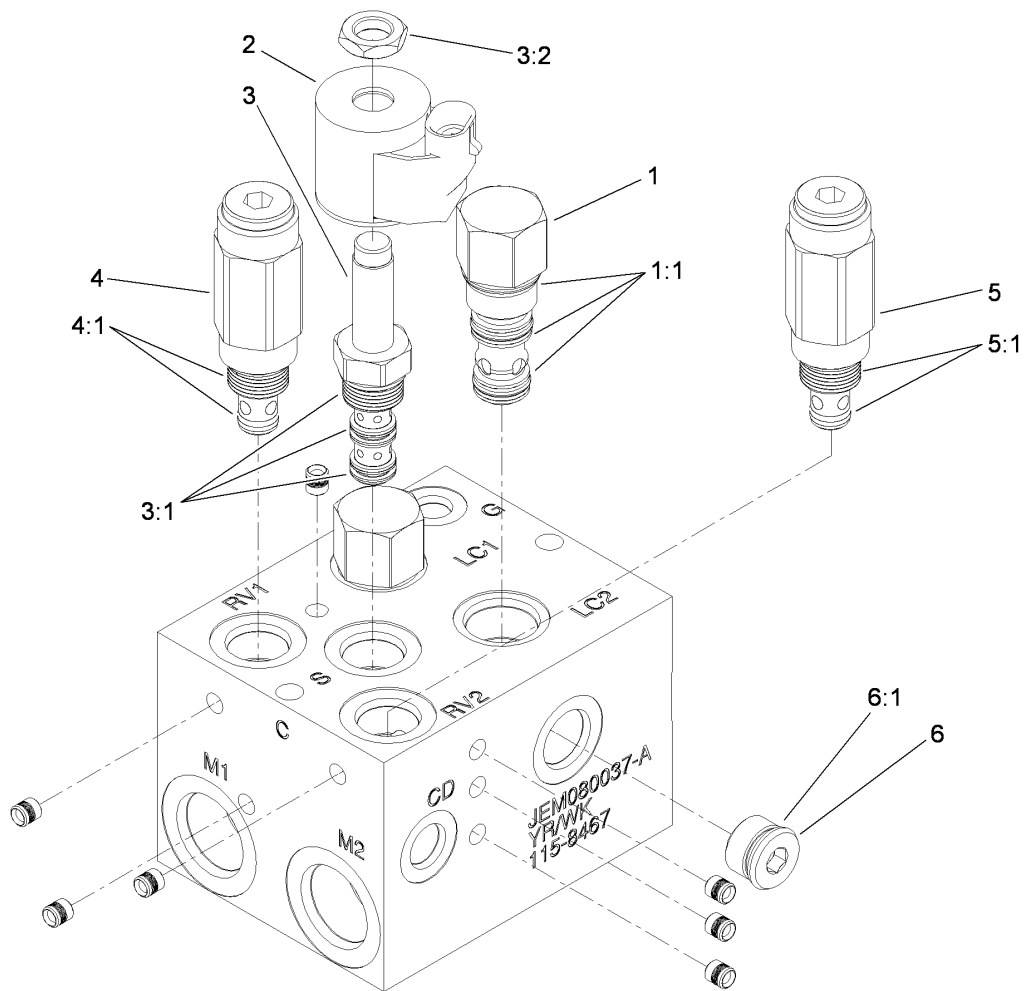
<i>Ref.</i>	<i>Part Number</i>	<i>Qty.</i>	<i>Description</i>
2	93-7977	1	Seal
3	93-7978	1	Rod-Pull
4	93-7983	2	Pin-Clevis
5	93-7980	2	Link
6	93-7979	2	Pin-Hitch
7	93-7986	4	Disc-Stationary
8	104-4278	3	Disc-Rotating
9	93-7976	1	Ring-Retaining
10	93-7984	1	Gasket
11	104-4280	1	Actuator-Rotating
12	93-7987	3	Spring-Extension
13	93-7985	3	Ball
14	353-990	2	Plug ASM
14:1	237-78	1	O-Ring



Piston Motor Assembly No. 100-3052

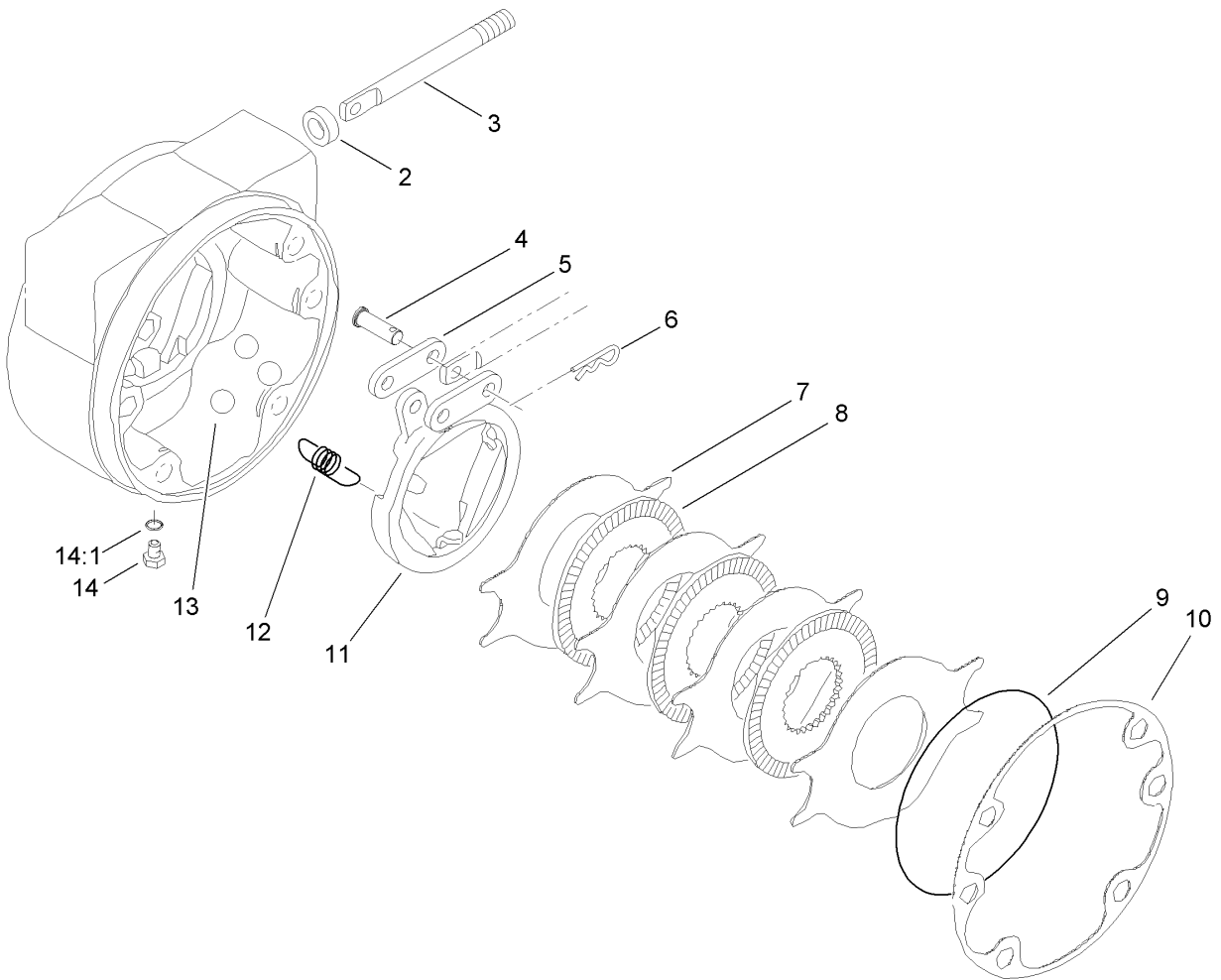
Ref.	Part Number	Qty.	Description
1	94-3004	1	Shaft-Drive, Splined
2	105-2851	1	Backplate ASM
2:1		3	Pin-Dowel ●
2:2		1	Pin-Dowel ●
2:3		1	Bearing-Needle ●
3	105-2852	1	Housing ASM
3:1		1	Bearing-Needle ●
4	76-6910	1	Rotating Kit
5	76-6970	1	Insert-Plate, Cam
7	94-3002	6	Screw-Cap
8	106-6876	1	Seal Kit
8:1		1	O-Ring ●
8:2	76-7010	1	Ring-Retaining
8:3	76-7000	2	Ring-Retaining
8:4		1	Seal-Shaft ●
9	106-2030	1	Plug-Hex, Hollow
9:1	237-146	1	O-Ring
10	60-6160	2	Race
12	94-3003	1	Plate-Valve
13	76-6960	1	Bearing-Thrust
18	60-6240	1	Washer

● Not serviced separately



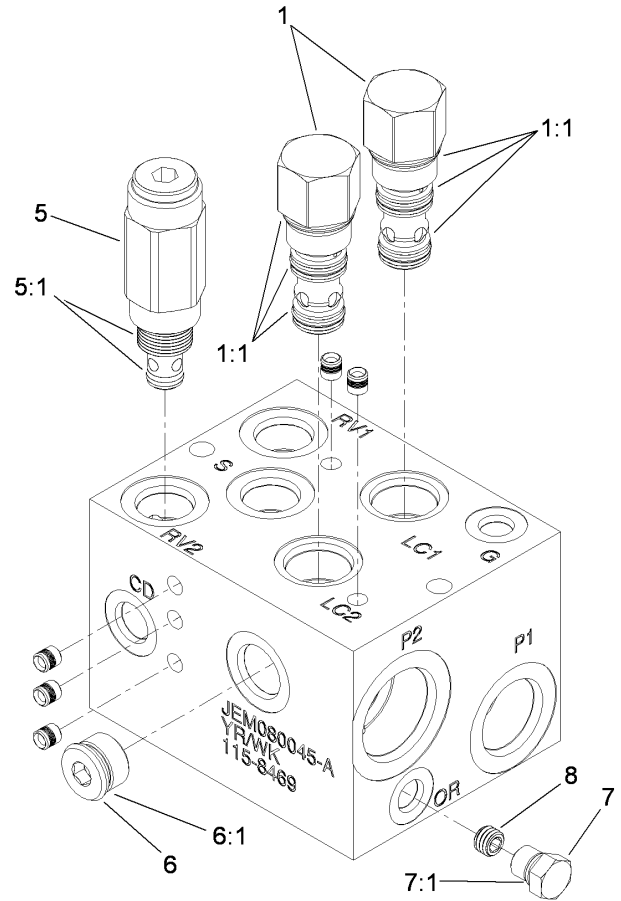
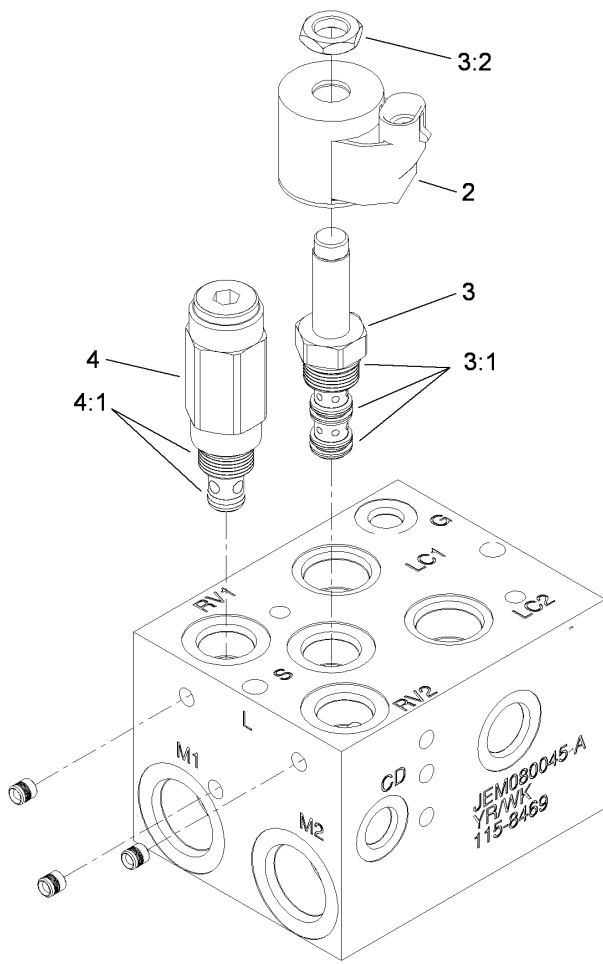
Hydraulic PTO Manifold Assembly No. 115-8467

<i>Ref.</i>	<i>Part Number</i>	<i>Qty.</i>	<i>Description</i>
1	105-9153	2	Element-Logic, Vented
1:1	105-9154	1	Seal Kit
2	105-9333	1	Coil-12Vdc
3	110-0494	1	Valve-Solenoid
3:1	110-8773	1	Seal Kit
3:2	110-2634	1	Nut-Coil
4	114-5510	1	Valve-Relief, 3000 PSI
4:1	105-9156	1	Seal Kit
5	114-5512	1	Valve-Relief, 600 PSI
5:1	105-9156	1	Seal Kit
6	106-1027	1	Plug
6:1	237-79	1	O-Ring



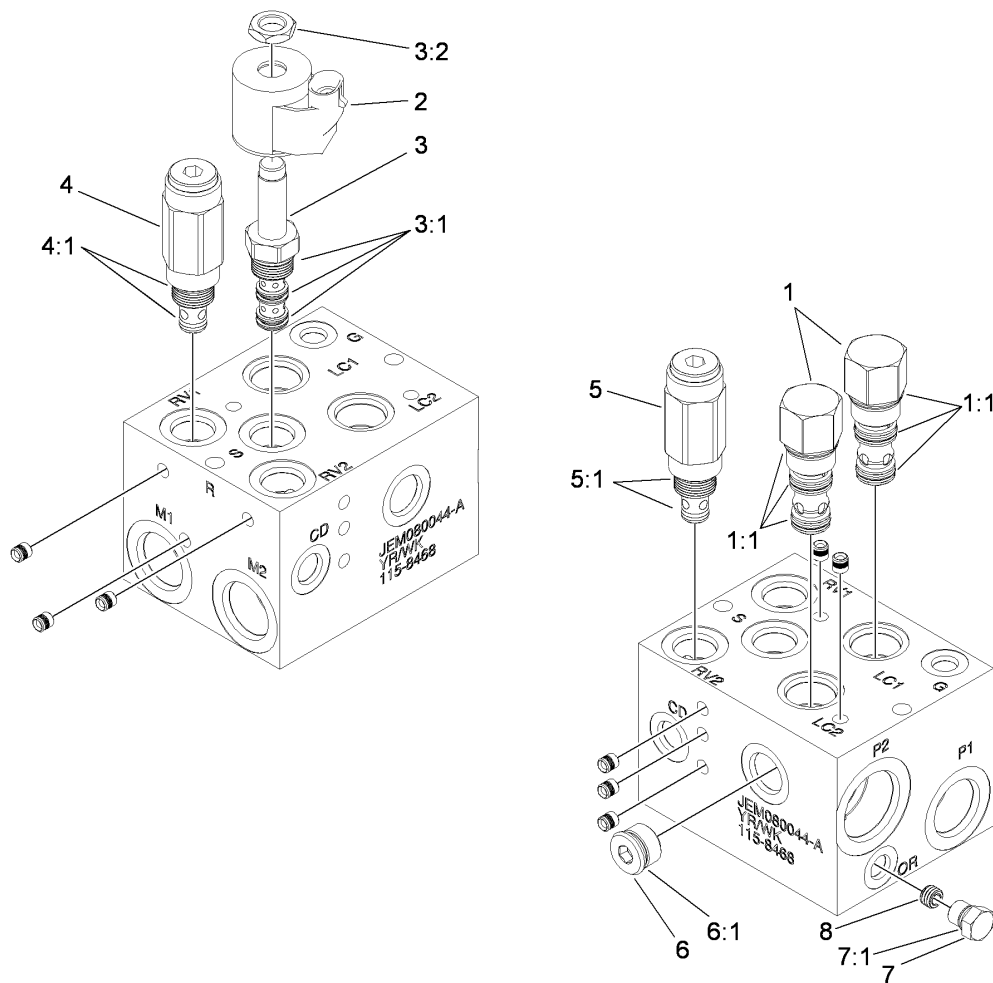
Brake Assembly No. 100-3070-03

<i>Ref.</i>	<i>Part Number</i>	<i>Qty.</i>	<i>Description</i>
2	93-7977	1	Seal
3	93-7978	1	Rod-Pull
4	93-7983	2	Pin-Clevis
5	93-7980	2	Link
6	93-7979	2	Pin-Hitch
7	93-7986	4	Disc-Stationary
8	104-4278	3	Disc-Rotating
9	93-7976	1	Ring-Retaining
10	93-7984	1	Gasket
11	104-4279	1	Actuator-Rotating
12	93-7987	3	Spring-Extension
13	93-7985	3	Ball
14	353-990	2	Plug ASM
14:1	237-78	1	O-Ring



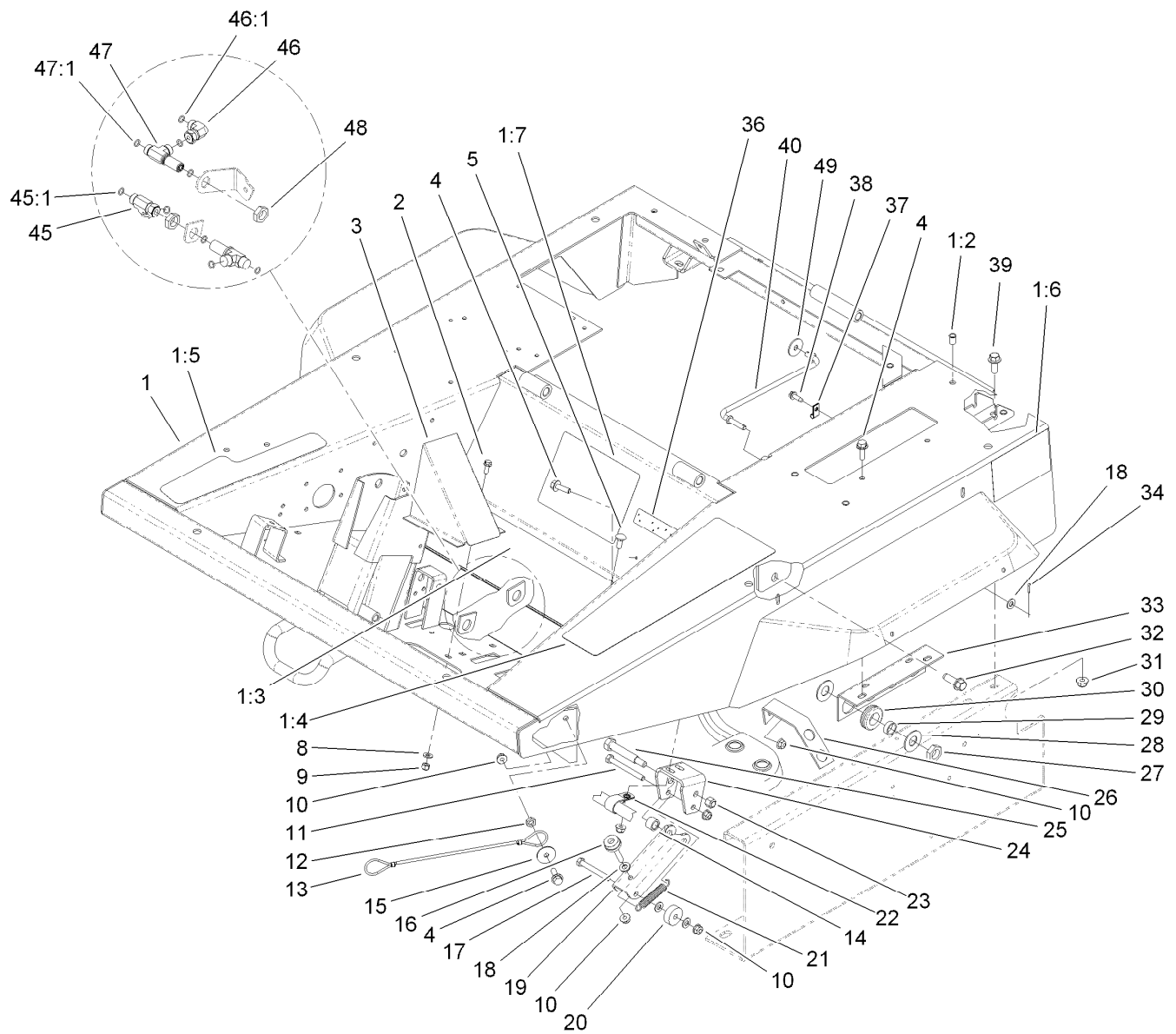
Hydraulic PTO Manifold Assembly No. 115-8469

Ref.	Part Number	Qty.	Description
1	105-9153	2	Element-Logic, Vented
1:1	105-9154	1	Seal Kit
2	105-9333	1	Coil-12Vdc
3	110-0494	1	Valve-Solenoid
3:1	110-8773	1	Seal Kit
3:2	110-2634	1	Nut-Coil
4	114-5510	1	Valve-Relief, 3000 PSI
4:1	105-9156	1	Seal Kit
5	114-5512	1	Valve-Relief, 600 PSI
5:1	105-9156	1	Seal Kit
6	106-1027	1	Plug
6:1	237-79	1	O-Ring
7	353-512	1	Plug
7:1	237-78	1	O-Ring
8	112-6538	1	Orifice (.063 Inch)



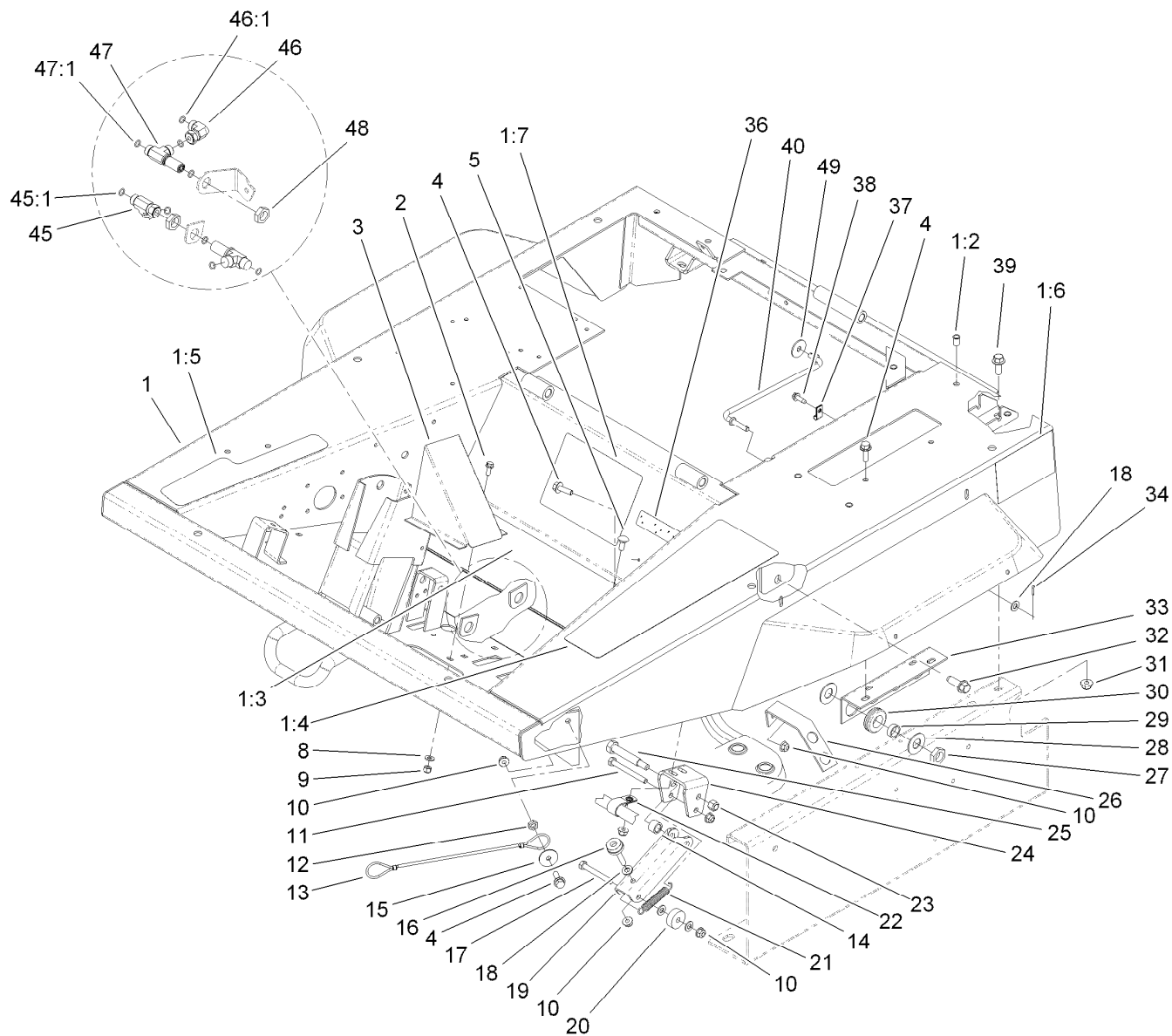
Hydraulic PTO Manifold Assembly No. 115-8468

Ref.	Part Number	Qty.	Description
1	105-9153	2	Element-Logic, Vented
1:1	105-9154	1	Seal Kit
2	105-9333	1	Coil-12Vdc
3	110-0494	1	Valve-Solenoid
3:1	110-8773	1	Seal Kit
3:2	110-2634	1	Nut-Coil
4	114-5514	1	Valve-Relief, 2000 PSI
4:1	105-9156	1	Seal Kit
5	114-5512	1	Valve-Relief, 600 PSI
5:1	105-9156	1	Seal Kit
6	106-1027	1	Plug
6:1	237-79	1	O-Ring
7	353-512	1	Plug
7:1	237-78	1	O-Ring
8	112-6538	1	Orifice (.063 Inch)



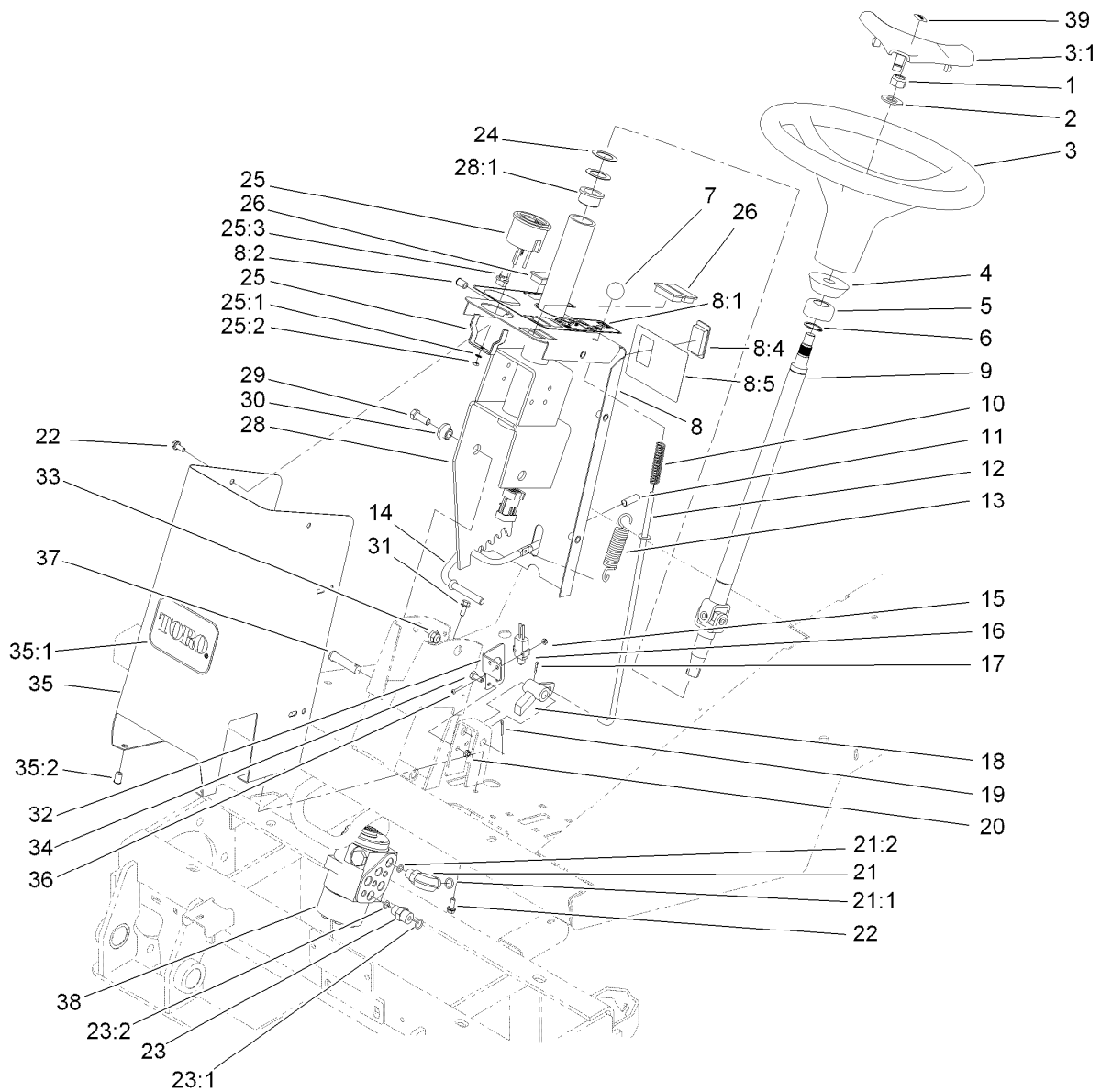
Platform Assembly

Ref.	Part Number	Qty.	Description	Ref.	Part Number	Qty.	Description
1	117-5703	1	Platform ASM	17	322-12	1	Screw-HH
1:2	32148-6	15	Nut-Clinch	18	3256-23	4	Washer-Plain
1:3	93-5349	2	Abrasive-Floor	19	106-2034-01	1	Arm-Latch
1:4	93-5507	1	Abrasive-Platform	20	92-2327	1	Spacer-Hose
1:5	104-3599	1	Decal-Pedal, Traction	21	92-6682	1	Spring-Extension
1:6	94-8099	2	Decal	22	2412-4	1	Clamp-R
1:7	117-5735	1	Decal-Operating Instructions	23	3296-6	1	Nut-Lock
2	3234-4	2	Screw-HHF	24	106-2031-01	1	Support-Pivot
3	100-3045-01	1	Cover-Tubes	25	71-3340	1	Bolt-Wheel
4	3234-29	4	Screw-HHF	26	100-5500-03	1	Support
5	3230-1	2	Bolt-CARR	27	340-70	4	Nut-Lock
8	3256-22	2	Washer-Flat	28	69-8940	8	Washer
9	3296-42	2	Nut-Lock, NI	29	69-8970	4	Spacer
10	104-8300	15	Nut-HF, NI	30	240-4	4	Grommet-Rubber
11	322-14	1	Screw-HH	31	104-8301	2	Nut-HF, NI
12	3218-3	1	Nut-Jam	32	32144-67	2	Screw
13	110-4896	1	Lanyard	33	100-3149-03	1	Bracket-Bulkhead
14	47-4420	1	Spacer-Sleeve, Adjustment	34	3272-5	2	Pin-Cotter
15	3256-57	1	Washer-Flat	36	117-2718	1	Decal-Arrester, Spark
16	32141-36	1	Screw-Adjustment, Level	37	2412-72	1	Clip-Closed, Insulated
				38	32104-95	1	Screw-HWH



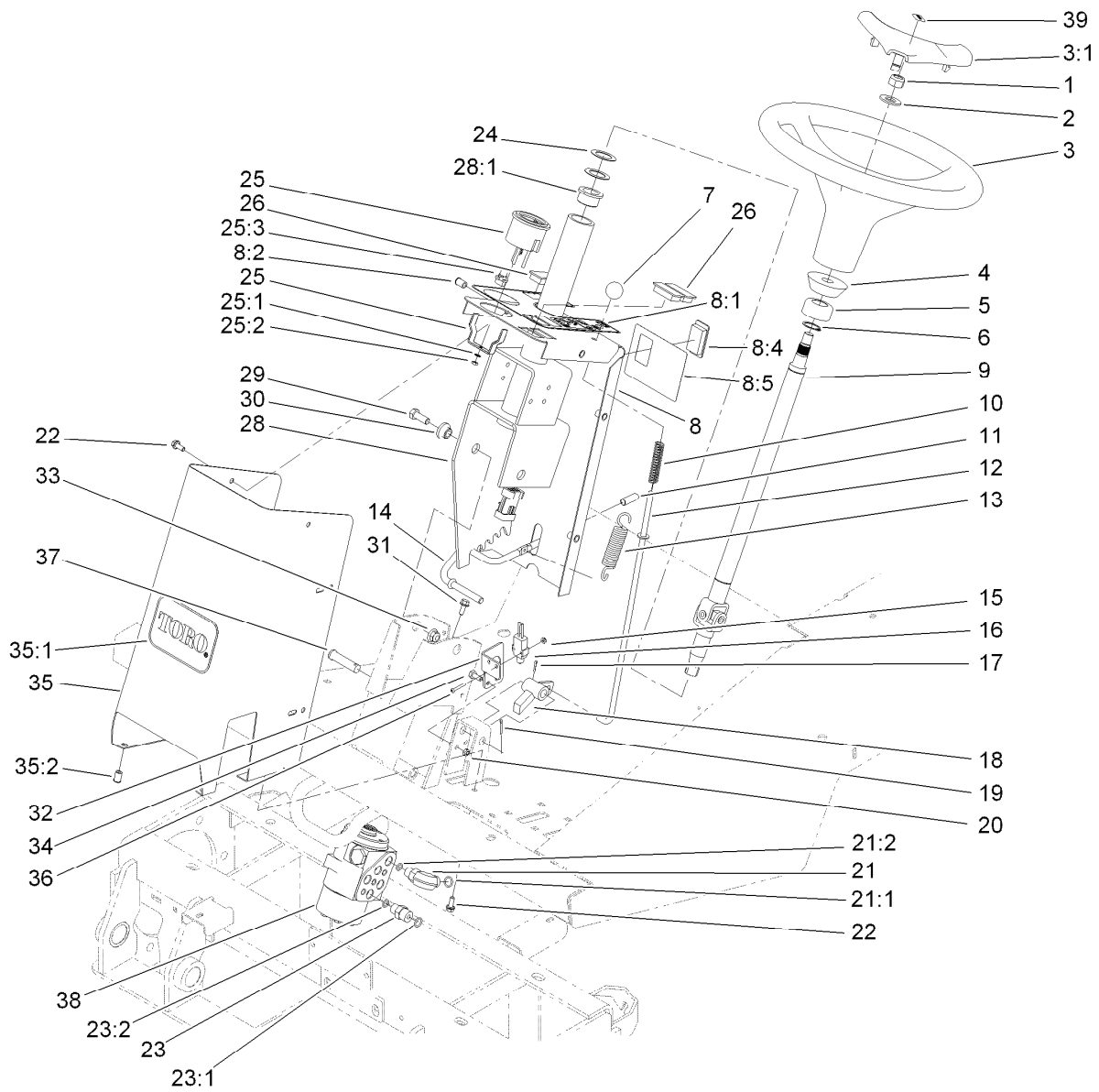
Platform Assembly (continued)

<i>Ref.</i>	<i>Part Number</i>	<i>Qty.</i>	<i>Description</i>	<i>Ref.</i>	<i>Part Number</i>	<i>Qty.</i>	<i>Description</i>
39	3234-42	2	Screw-HHF	46:1	237-22	2	O-Ring
40	93-5338	1	Rod-Prop	47	340-68	2	Fitting-Tee, Bulkhead
45	340-115	1	Fitting-Tee	47:1	237-22	3	O-Ring
45:1	237-22	2	O-Ring	48	340-70	2	Nut-Lock
46	340-159	1	Elbow-90	49	3256-82	1	Washer-Flat



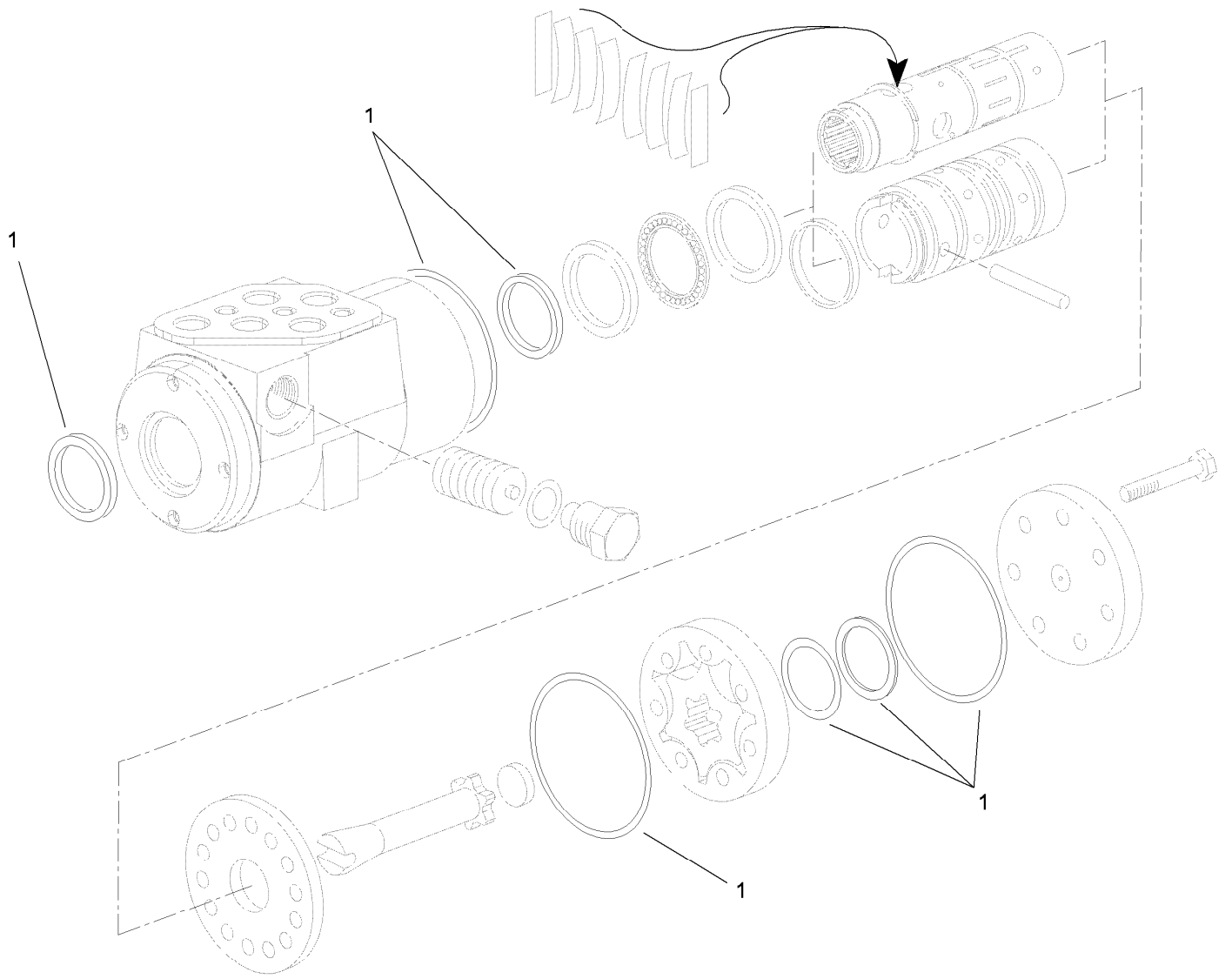
Steering Tower Assembly

Ref.	Part Number	Qty.	Description	Ref.	Part Number	Qty.	Description
1	108-9342	1	Nut-Hex	17	3272-5	1	Pin-Cotter
2	3256-27	1	Washer-Flat	18	114-2718	1	Pawl-Brake
3	98-1471	1	Wheel-Steering	19	3272-6	1	Pin-Cotter
3:1	98-1468	1	Cover-Wheel, Steering	20	3296-42	2	Nut-Lock, NI
4	93-5429	1	Collar-Foam	21	340-77	1	Fitting-Elbow, 90 DEG
5	93-5439	1	Seal-Steering	21:1	237-22	1	O-Ring
6	32151-29	2	Ring-Retaining	21:2	237-42	1	O-Ring
7	93-5312	1	Knob	22	3234-4	10	Screw-HHF
8	117-5705	1	Tower Cover ASM	23	340-2	4	Fitting-Straight
8:1	119-0067	1	Decal-Steering Tower	23:1	237-22	1	O-Ring
8:2	32148-6	6	Nut-Clinch	23:2	237-42	1	O-Ring
8:4	99-7420	1	Plug-Hole	24	9547	4	Washer-Thrust
8:5	119-8322	1	Decal-Accessory	25	98-9339	1	Gauge-Fuel
9	93-5428	1	Shaft-Steering	25:1	3254-1	3	Washer-Lock, Int
10	71-8310	1	Spring-Compression	25:2	3217-27	3	Nut-Hex
11	93-5446	1	Cap-Vinyl	25:3	105-9265	1	Bulb And Lamp ASM
12	104-8308	1	Rod ASM	26	99-7420	3	Plug-Hole
13	93-5985	1	Spring-Extension	28	104-8332	1	Steering Column ASM
14	93-5989	1	Rod-Tilt	28:1	256-132	2	Bushing-Flange
15	3296-9	2	Nut-Hex	29	323-6	2	Screw-HH
16	99-3410	1	Switch	30	93-5988	2	Hub-Pivot



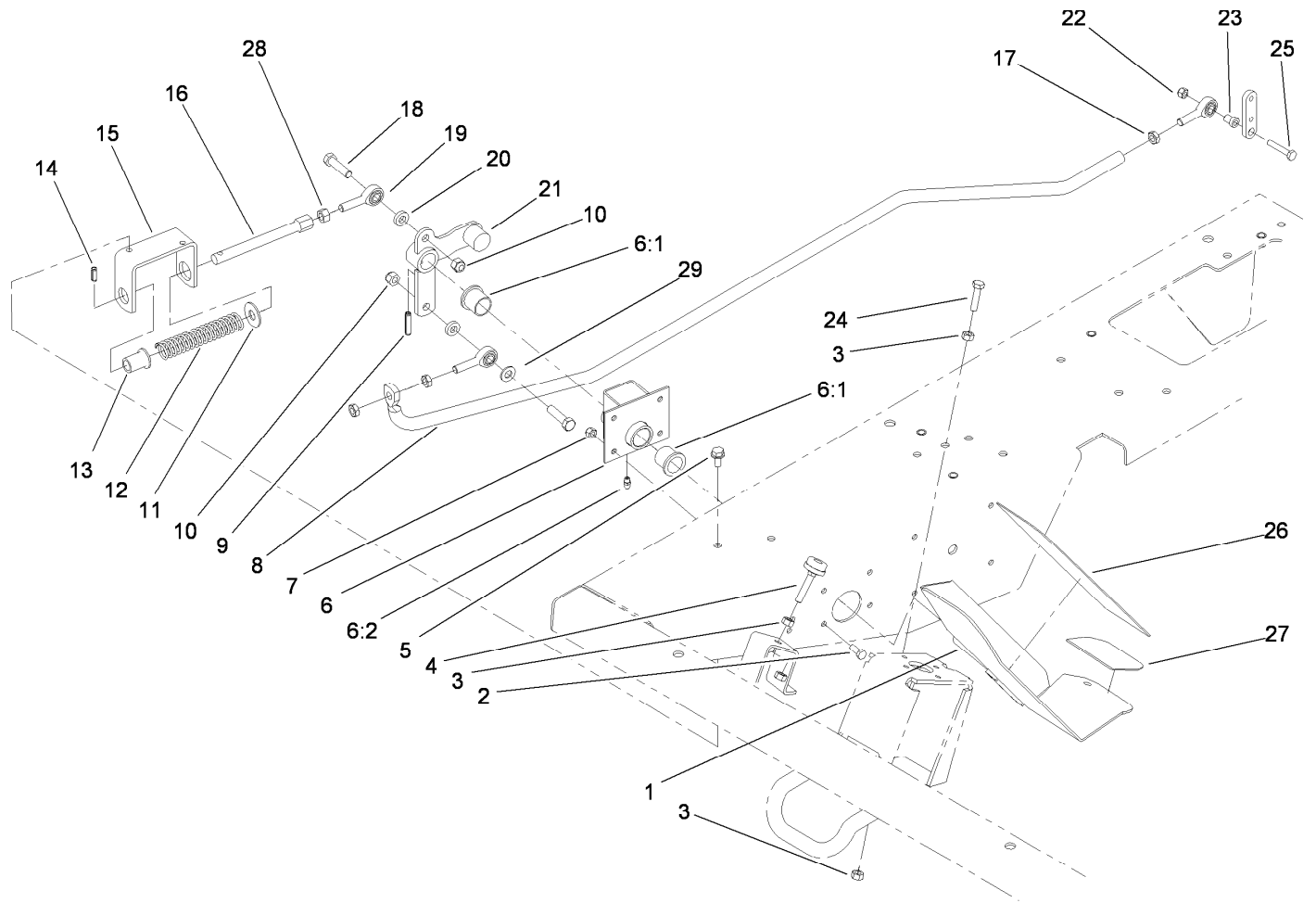
Steering Tower Assembly (continued)

<i>Ref.</i>	<i>Part Number</i>	<i>Qty.</i>	<i>Description</i>	<i>Ref.</i>	<i>Part Number</i>	<i>Qty.</i>	<i>Description</i>
31	33103-016	4	Screw-HHF	35:2	32148-6	4	Nut-Clinch
32	104-0128	1	Bracket-Switch	36	3250-35	2	Screw-PPH
33	104-8301	2	Nut-HF, NI	37	283-5	1	Pin-Clevis
34	321-3	2	Screw-HH	38	114-5074	1	HYD Steering Valve ASM
35	100-3038	1	Steering Tower ASM	39	98-1459	1	Decal
35:1	67-1300	1	Decal				



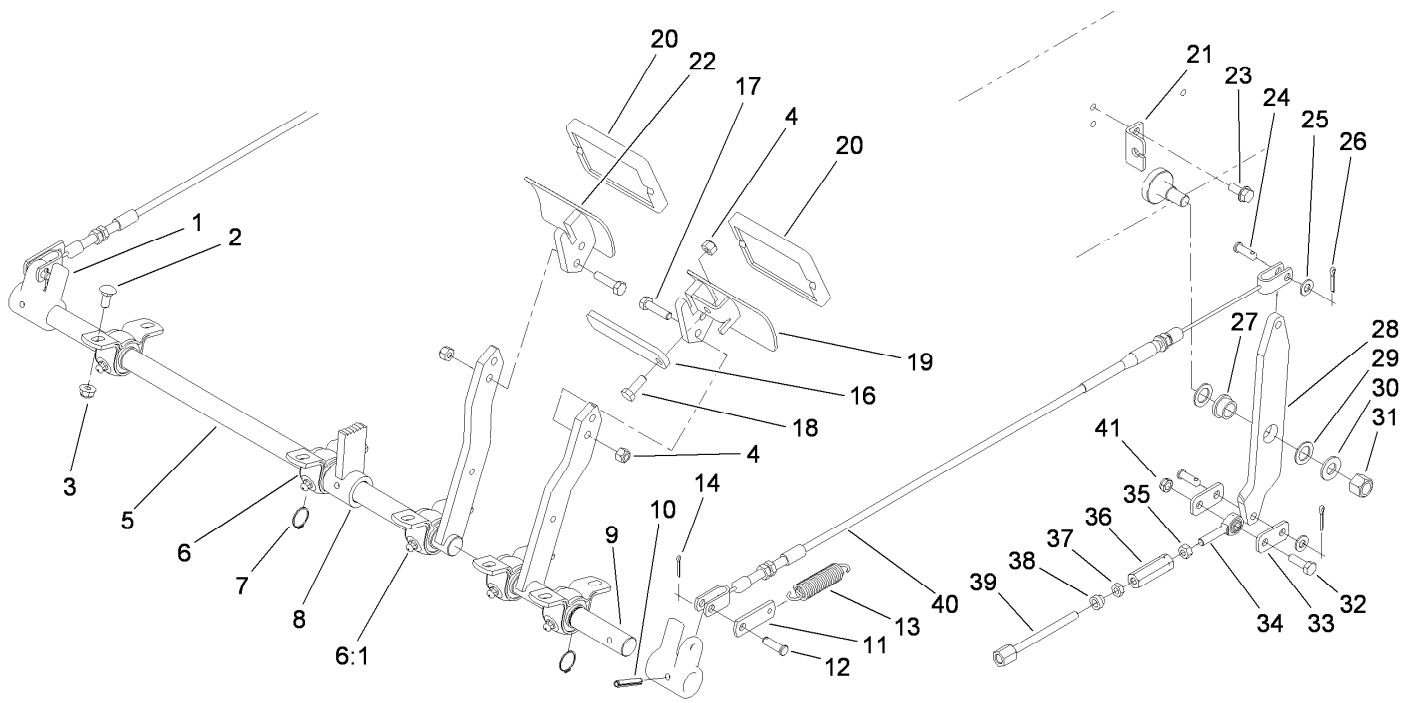
Steering Valve Assembly No. 114-5074

<i>Ref.</i>	<i>Part Number</i>	<i>Qty.</i>	<i>Description</i>
1	108-1519	1	Seal Kit



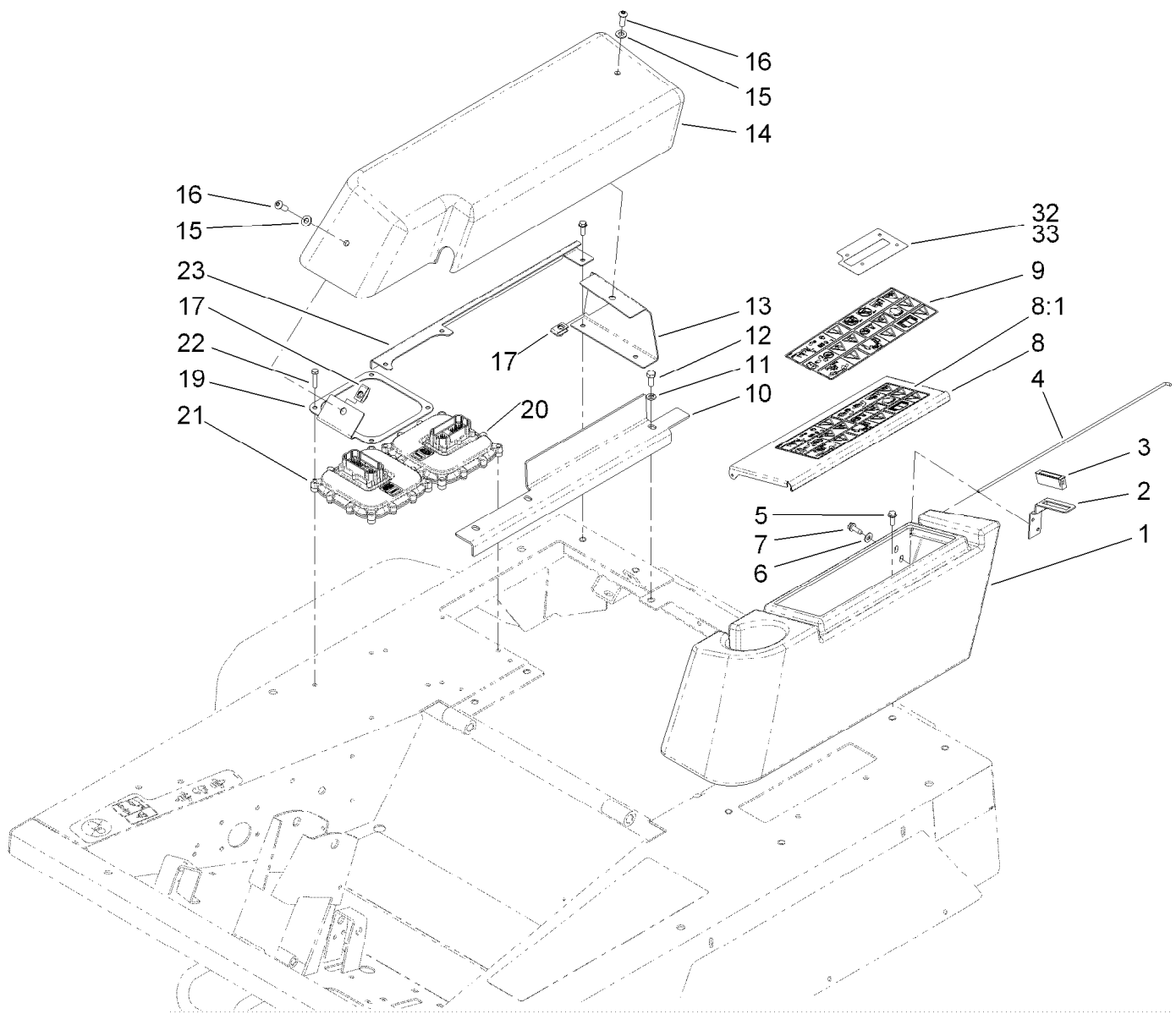
Traction Pedal and Linkage Assembly

<i>Ref.</i>	<i>Part Number</i>	<i>Qty.</i>	<i>Description</i>	<i>Ref.</i>	<i>Part Number</i>	<i>Qty.</i>	<i>Description</i>
1	93-5133-01	1	Pedal-Traction	15	100-3137-03	1	Bracket-Spring
2	321-4	4	Screw-HH	16	92-7609	1	Shaft-Spring
3	3217-6	4	Nut-Hex	17	3220-3	3	Nut-HJ
4	32141-36	1	Screw-Adjustment, Level	18	323-9	2	Screw-HH
5	32144-14	2	Screw-HWHTF	19	2411-36	3	Bearing-End, Rod
6	104-3565	1	Pedal Bracket ASM	20	80-7730	2	Spacer
6:1	256-10	2	Bushing-Flange	21	114-2715	1	Lever-Traction
6:2	302-5	1	Fitting-Grease	22	3296-42	1	Nut-Lock, NI
7	3296-42	4	Nut-Lock, NI	23	104-7517	1	Spacer
8	117-5668-03	1	Rod-Traction	24	322-6	1	Screw-HH
9	32121-9	1	Pin-Roll, Slotted	25	321-9	1	Screw-HH
10	3296-39	2	Nut-Lock, NI	26	93-5347	1	Abrasive-Pedal
11	3256-5	1	Washer-Flat	27	93-5368	1	Abrasive-Pedal
12	84-9100	1	Spring	28	3219-3	1	Nut-Hex
13	92-7610	1	Retainer-Spring	29	3256-24	1	Washer-Flat
14	32121-11	1	Pin-Roll				



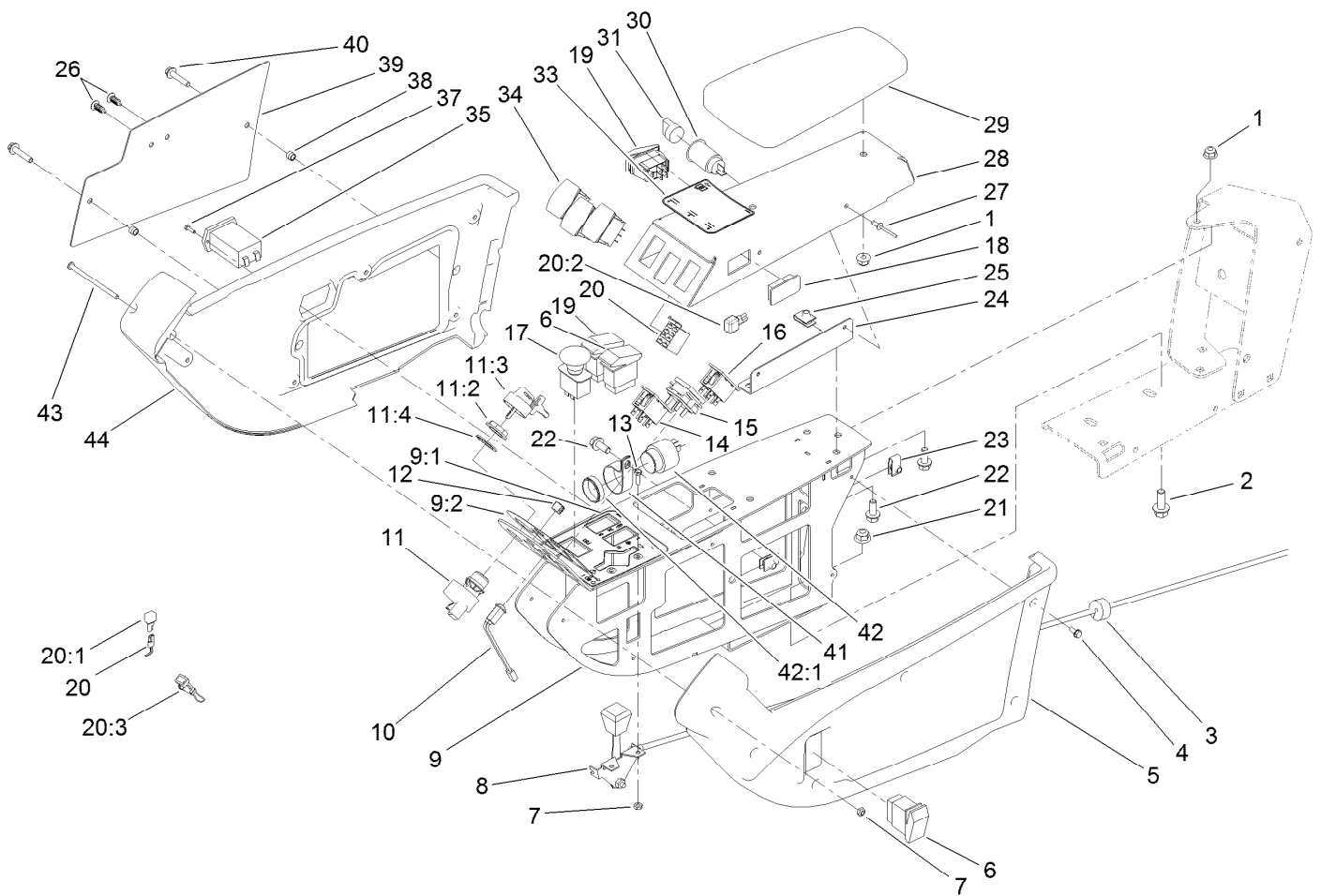
Brake Pedal and Linkage Assembly

Ref.	Part Number	Qty.	Description	Ref.	Part Number	Qty.	Description
1	114-2714	2	Lever-Brake	22	105-4554-03	1	RH Pedal ASM
2	3230-1	10	Bolt-CARR	23	32144-11	4	Screw-HWH
3	104-8300	10	Nut-HF, NI	24	283-58	4	Pin-Clevis
4	3296-29	5	Nut-Lock, NI	25	3256-23	4	Washer-Plain
5	100-3000-03	1	RH Brake Arm ASM	26	3272-10	4	Pin-Cotter
6	93-4849	5	Bearing-Block, Pillow	27	105-3455	2	Bushing
6:1	302-5	1	Fitting-Grease	28	119-0105-03	2	Lever-Brake
7	32151-83	3	Ring-Snap	29	105-3481	4	Washer-Thrust
8	93-5475-03	1	Brake Latch ASM	30	3256-26	2	Washer-Flat
9	100-2997-03	1	LH Brake Arm ASM	31	3296-23	2	Nut-Lock, NI
10	32121-15	3	Pin-Roll	32	322-5	2	Screw-HH
11	100-5540	2	Strap-Brake	33	119-0110	4	Link-Brake
12	283-61	2	Pin-Yoke	34	2411-53	2	Bearing-Rod End, LH
13	93-5262	2	Spring-Extension	35	3220-20	2	Nut-Jam
14	3272-6	2	Pin-Cotter	36	119-0112	2	Hex-Link
16	93-5568	1	Arm-Lock	37	3220-2	2	Nut-Jam
17	322-6	4	Screw-HH	38	110-2158	2	Spacer-Flanged
18	322-4	1	Screw-HH	39	119-0106	2	Hex-Link
19	105-4553-03	1	LH Pedal ASM	40	119-0113	2	Cable-Brake
20	93-8743	2	Footpad-Turn	41	3296-47	2	Nut-Lock,NI
21	119-0109	2	Bracket-Cable				



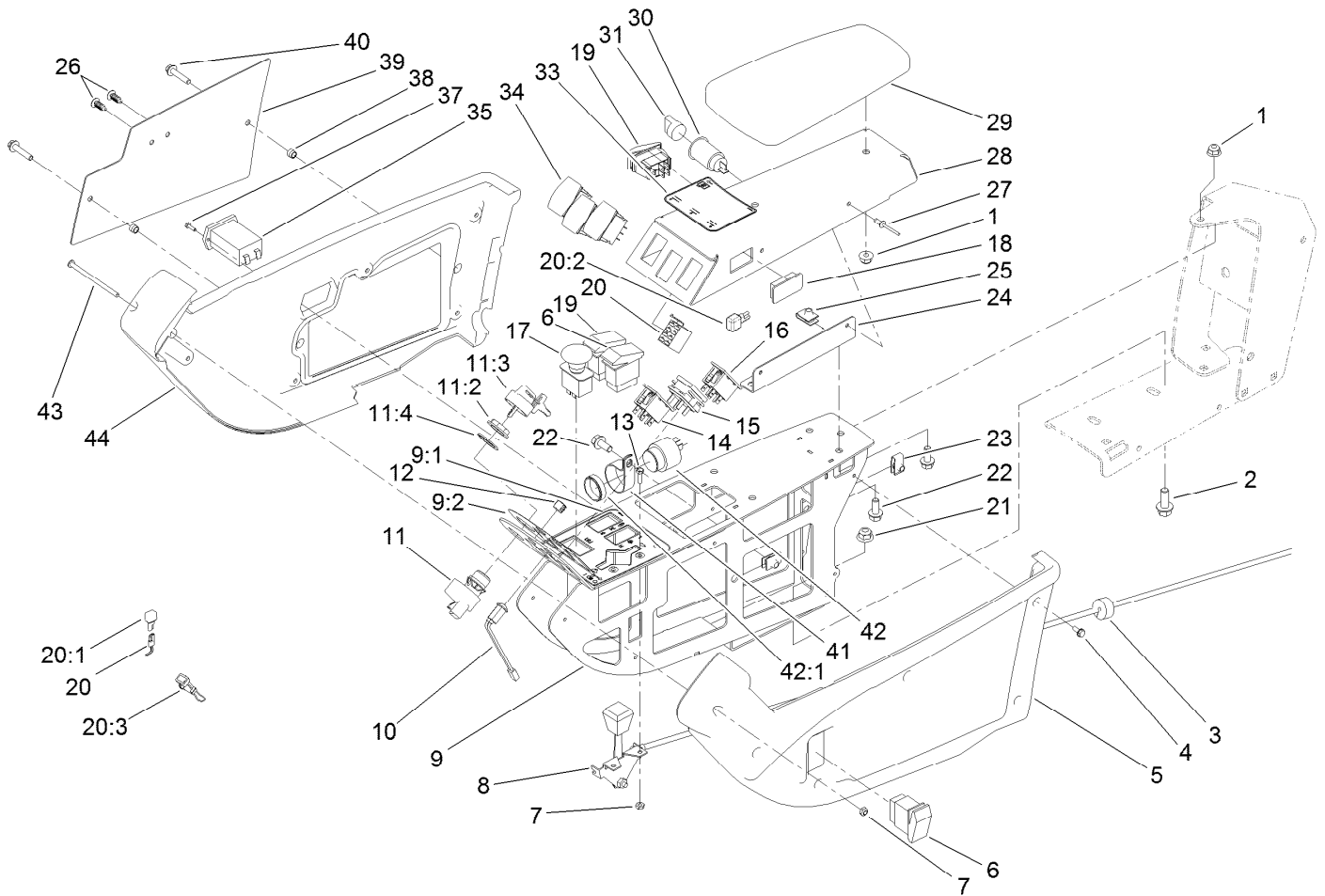
Controller and Tool Box Assembly

<i>Ref.</i>	<i>Part Number</i>	<i>Qty.</i>	<i>Description</i>	<i>Ref.</i>	<i>Part Number</i>	<i>Qty.</i>	<i>Description</i>
1	104-7515	1	Housing-Box, Tool	13	119-0074-03	1	Mount-Cover, Rear
2	104-7545	1	Bracket-Latch	14	119-0071	1	Cover-Controllers
3	58-4250	1	Catch-Magnetic	15	3256-70	2	Washer-Flat
4	104-7548	1	Rod-Hinge	16	3274-32	2	Screw-HSBH
5	3234-4	6	Screw-HHF	17	94-2413	2	Nut-U
6	3256-22	2	Washer-Flat	19	119-0073-03	1	Mount-Cover, Front
7	32104-95	2	Screw-HWH	20	115-1900	1	Controller
8	104-8321	1	Tool Box Cover ASM	21	114-3321	1	Controller-Tec
8:1	117-2766	1	Decal-Warning, CE	22	321-8	8	Screw-HH
8:1	117-2754	1	Decal-Warning	23	119-0136-03	1	Mount-Cover, Right
9	117-2766	1	Decal-Warning, CE	32	119-5303	1	Decal-Diagnostic Controller, Master
10	117-5724-01	1	Bracket-Support	33	119-5304	1	Decal-Diagnostic Controller, Slave
11	3253-4	3	Washer-Lock				
12	322-3	3	Screw-HH				



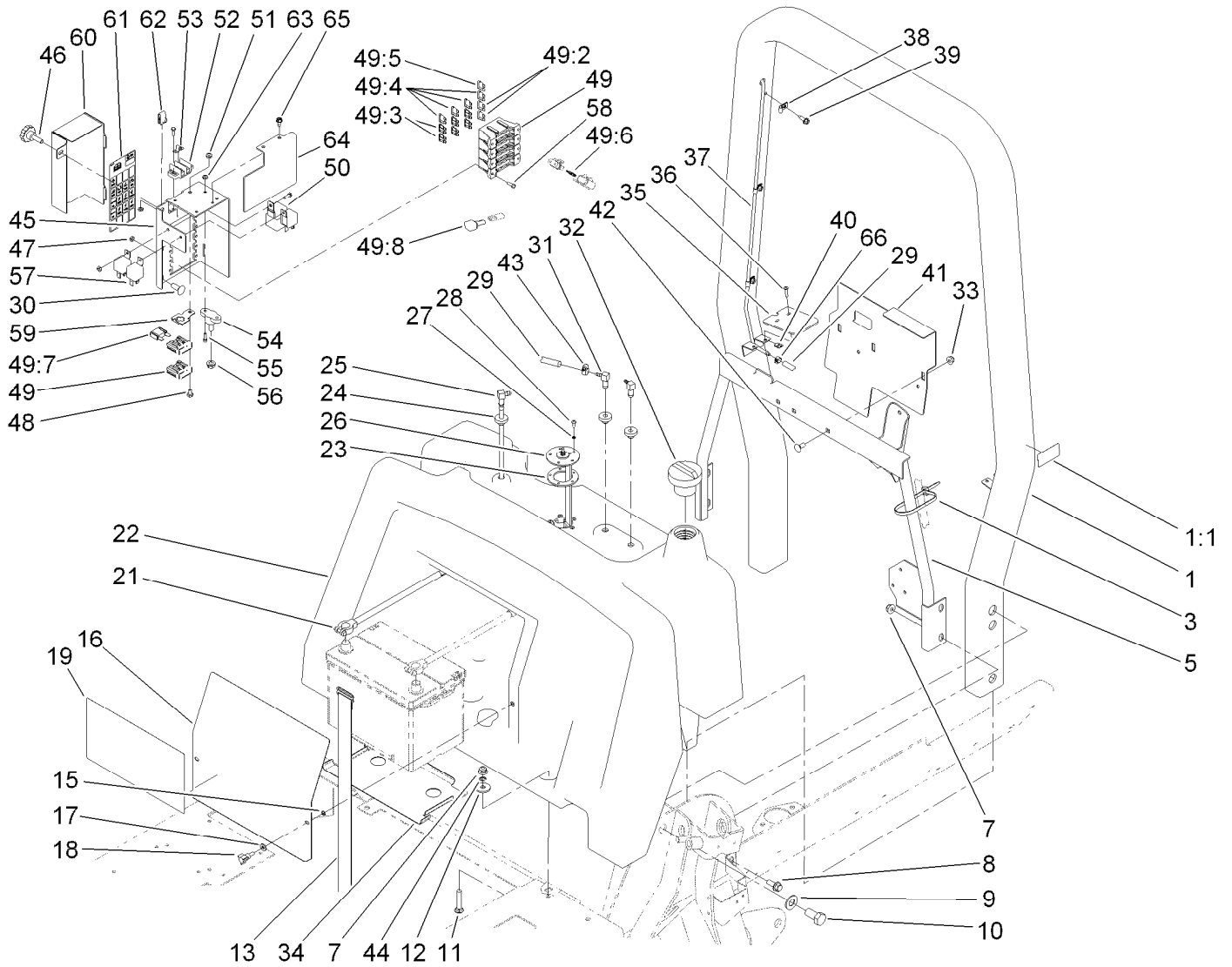
Control Console Assembly

Ref.	Part Number	Qty.	Description	Ref.	Part Number	Qty.	Description
1	104-8300	3	Nut-HF, NI	17	93-9999	1	Switch-PTO
2	3234-42	2	Screw-HHF	18	99-7420	2	Plug-Hole
3	110-8911	1	Seal-Foam	19	106-2027	2	Switch-Intermittent
4	32144-112	10	Screw-HWH	20	119-7770	1	Harness-Wire, Platform
5	108-7604	1	Cover-LH	20:1	104-4022	1	Resistor-75 Ohm
6	95-8999	1	Switch	20:2	32180-043	2	Resistor-120 Ohm
7	3296-12	3	Nut-Lock, NI	20:3	119-7778	1	Harness-Wire, Machine Selector
8	119-0084	1	Control-Throttle	21	104-8301	2	Nut-HF, NI
9	117-5737	1	Control Panel ASM	22	3234-5	6	Screw-HHF
9:1	117-5723	1	Decal-Console, Lower	23	107069	2	Clip
9:2	117-2385	1	Decal-Console, Upper	24	112-7404	1	Angle-Mounting
10	95-7652	1	Light-Indicator	25	94-2413	5	Nut-U
11	106-5269	1	Ignition Switch ASM	26	114-4899	2	Rivet-Push
11:2	108-8660	1	Nut-Mounting	27	3290-409	2	Rivet
11:3	106-5270	1	Ignition Key Set	28	117-2380-03	1	Panel-Switches, Control Arm
11:4	108-8659	1	Washer-Backup	29	108-7602	1	Rest-Arm
12	2410-64	1	Plug-Button	30	99-7411	1	Point-Power
13	3290-134	2	Screw	31	99-7416	1	Cap
14	100-8070	1	Lamp-Warning	33	117-2387	1	Decal-Lift
15	110-0941	1	Gauge-Temperature				
16	100-8071	1	Lamp-Warning				



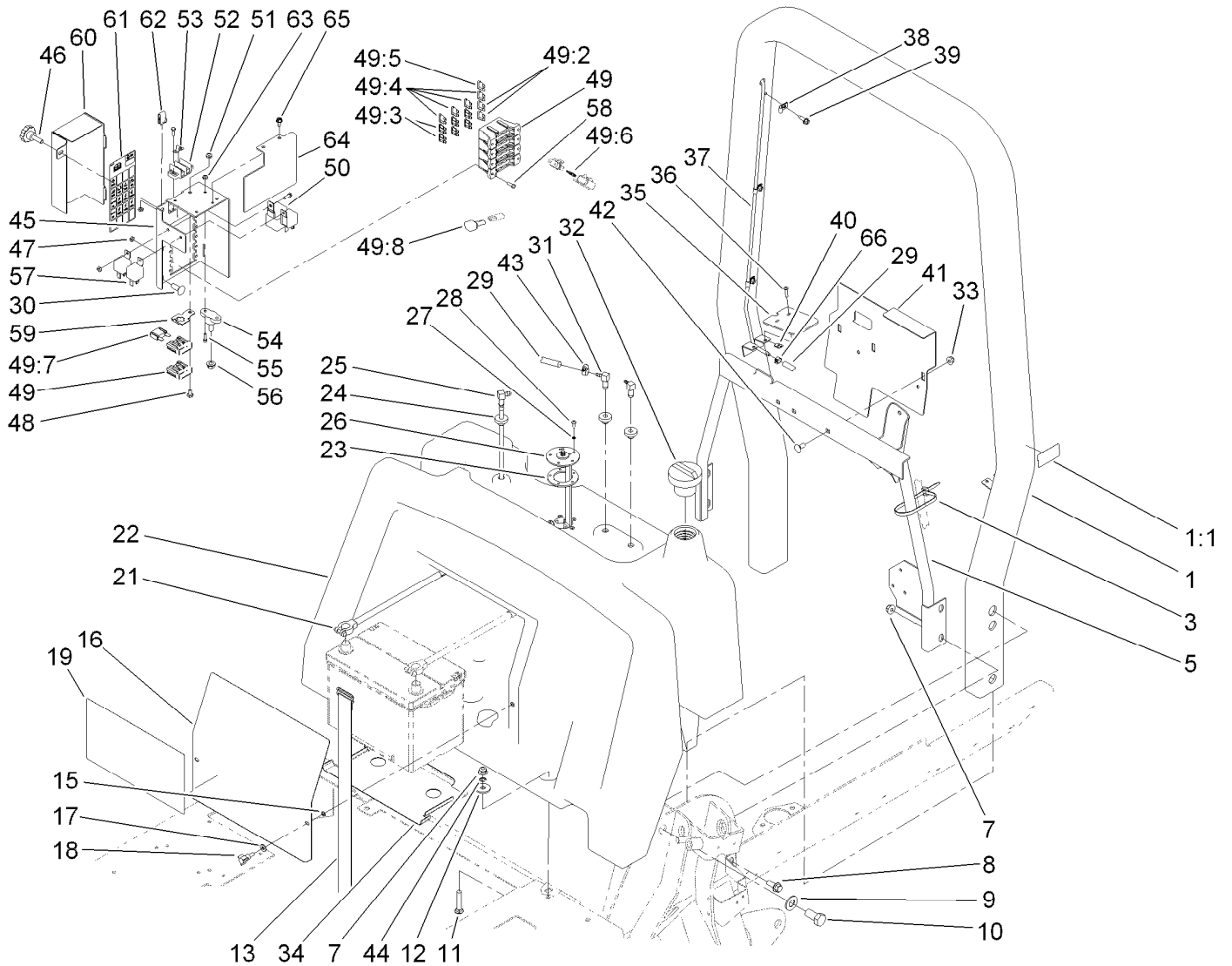
Control Console Assembly (continued)

<i>Ref.</i>	<i>Part Number</i>	<i>Qty.</i>	<i>Description</i>	<i>Ref.</i>	<i>Part Number</i>	<i>Qty.</i>	<i>Description</i>
34	100-1535	3	Switch-Rocker, (On)-Off-(On)	40	3234-21	2	Screw-HHF
35	75-6820	1	Hourmeter	41	2412-74	1	R-Clamp
37	32144-18	2	Screw-HWH	42	80-9330	1	Audio Alarm ASM
38	110-0542	2	Spacer-Flange	42:1	104-5107	1	Nut-Plastic, Knurled
39	115-8849-03	1	Plate-Cover	43	3250-22	1	Screw-PPH
				44	108-7605	1	Cover-RH



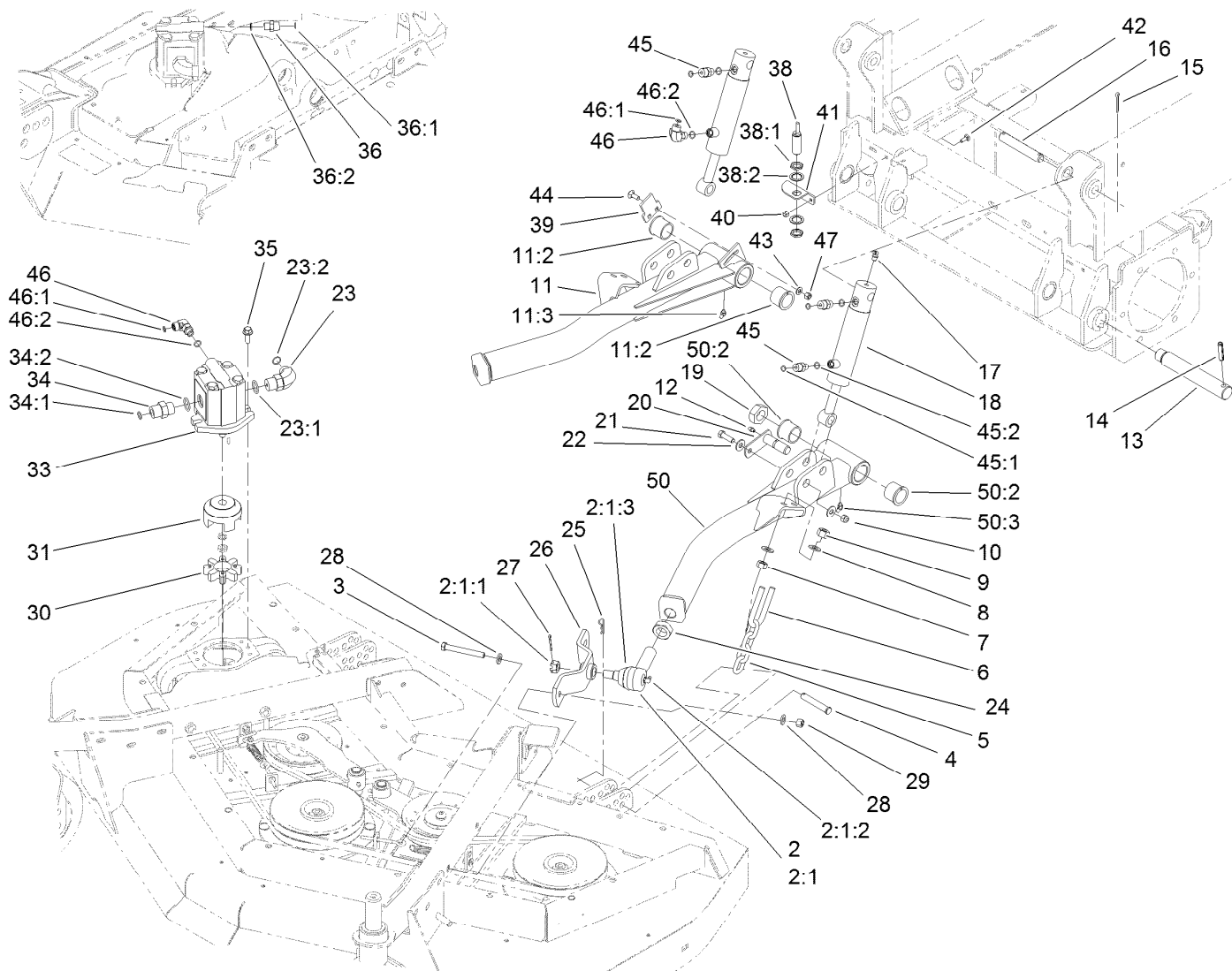
Fuel Tank, Battery and Roll-Over Protection System Assembly

Ref.	Part Number	Qty.	Description	Ref.	Part Number	Qty.	Description
1	105-2849	1	ROPS ASM	24	46-6560	3	Bushing
1:1	105-2834	1	Decal-ROPS	25	114-3836	1	Pipe-Stand
3	3290-378	1	Tie-Cable	26	104-0700	1	Sender-Fuel
5	117-5694-03	1	Support-Tank	27	3253-15	5	Washer-Lock
7	104-8301	6	Nut-HF, NI	28	32122-24	5	Screw-PTH
8	3234-42	2	Screw-HHF	29	110-3255	1	Hose-Fuel
9	3256-27	4	Washer-Flat	30	3231-22	2	Screw-CARR
10	327-3	4	Screw-HH	31	104-5228	2	Fitting-Elbow, 90 DEG
11	3231-6	2	Screw-CARR	32	115-5305	1	Cap-Fuel
12	63-8410	2	Washer	33	104-8300	2	Nut-HF, NI
13	94-1445	1	Strap-Battery	34	105-0774-03	1	Plate-Battery
15	32151-106	2	Ring-Retaining	35	104-8319	2	Cover-Tank
16	104-0717-03	1	Cover-Battery	36	3250-13	4	Screw-PPH
17	3256-22	2	Washer-Flat	37	104-0718	1	Tube-Vent
18	233-70	2	Knob-Star, Three	38	2412-72	3	Clip-Closed, Insulated
19	115-8456	1	Decal-Service	39	32104-95	3	Screw-HWH
21	117-4746	1	Cable-Battery, Positive	40	3290-191	4	Nut-Clip,U
22	115-3788	1	Tank-Fuel	41	119-0069-03	1	Bracket-Fuel Tank
23	62-7650	1	Gasket	42	3230-1	2	Bolt-CARR



Fuel Tank, Battery and Roll-Over Protection System Assembly (continued)

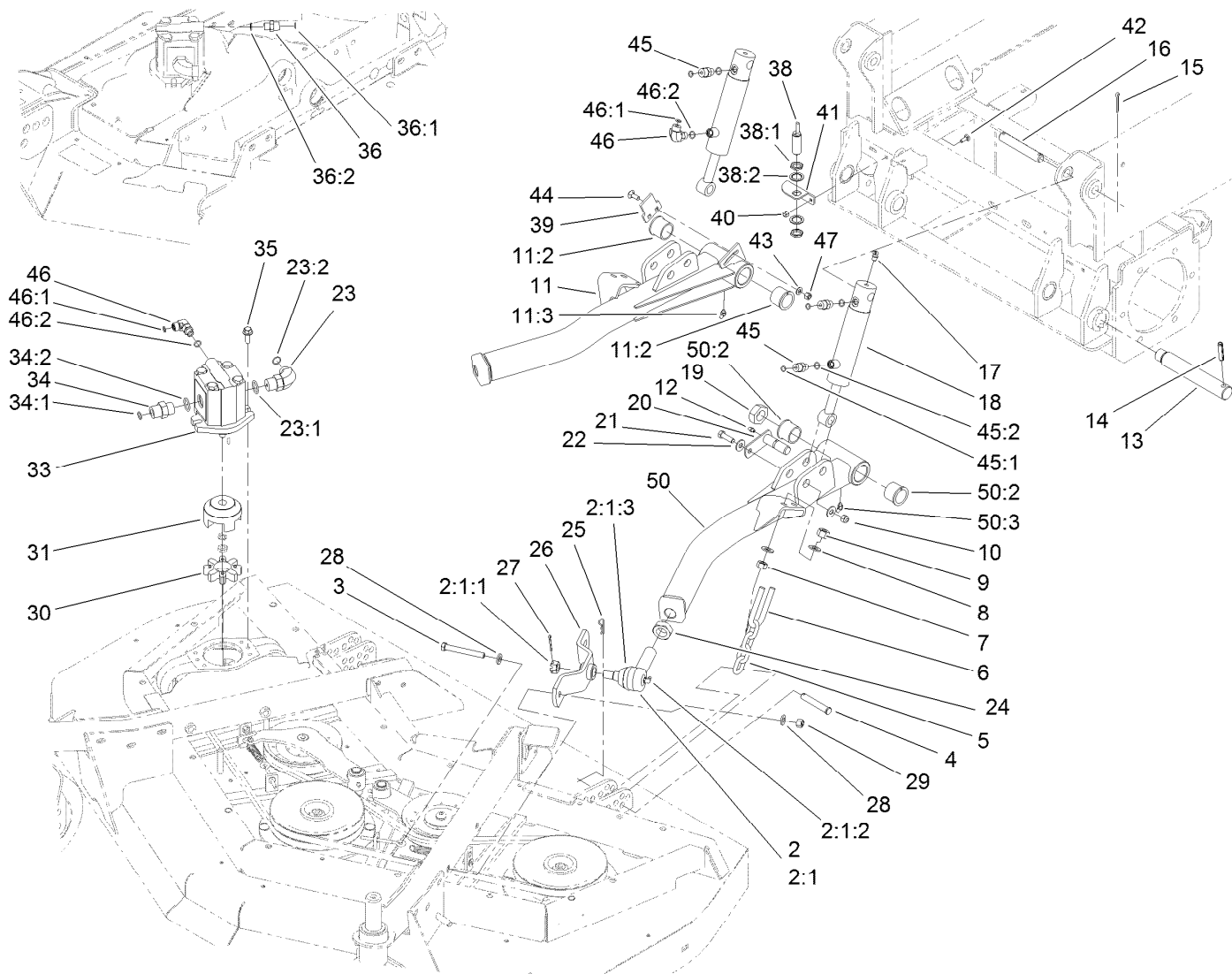
Ref.	Part Number	Qty.	Description	Ref.	Part Number	Qty.	Description
43	2412-108	2	Clamp-Worm	52	42862	1	Block-Terminal, Ground
44	32151-72	4	Ring-Retaining	53	42863	1	Strip-Jumper
45	117-5695-03	1	Mount-Power	54	110-8822	1	Block-Junction
46	99-6137	1	Knob-Control, Chute	55	3273-26	2	Screw-HSH
47	3296-12	8	Nut-Lock, NI	56	3290-357	1	Nut-HSF
48	321-2	1	Screw-HH	57	99-7435	3	Relay
49	117-5715	1	Harness-Wire, Rear	58	3290-134	8	Screw
49:2	94-6710	2	Fuse-2 Amp	59	114-5502	1	Clip-Fuse
49:3	114241	6	Fuse-Blade, 7.5 Amp	60	119-0072-03	1	Cover-Fuses
49:4	218-578	5	Fuse-Blade, 10 Amp	61	119-0075	1	Decal-Fuses
49:5	109101	1	Fuse-Blade, 20 Amp	62	94-2413	1	Nut-U
49:6	99-6124	1	Fuse-40 Amp	63	3296-27	2	Nut-Lock, NI
49:7	114-3342	1	Fuse-Maxi, 60 Amp	64	117-5748-03	1	Shield-Heat
49:8	100-4918	1	Diode	65	32104-17	1	Screw-HWH
50	99-7430	1	Relay-Mini	66	2412-146	1	Clamp-Hose
51	3296-56	1	Nut-Lock, NI				



Front Deck Lift Arm and Cylinder Assembly

Ref.	Part Number	Qty.	Description	Ref.	Part Number	Qty.	Description
2	86-8101-03	2	LH Ball Joint ASM	14	32121-110	2	Pin-Roll, Slotted
2:1		1	Joint-Ball, LH ●	15	3272-23	4	Pin-Cotter
2:1:1	32136-2	1	Nut-SHH	16	105-7456	2	Pin-Pivot
2:1:2	302-40	1	Fitting-Grease, 90 DEG	17	302-33	2	Fitting-Grease
2:1:3	114-2874	1	Seal-Ball Joint	18	107-4304	2	HYD Cylinder ASM
3	324-19	4	Screw-HH	19	3296-49	2	Nut-Lock, NI
4	283-55	2	Pin-Clevis	20	100-3020	2	Pin
5	95-6231	2	Chain-HOC	21	323-7	2	Screw-HH
6	104-0108	2	U-Bolt	22	3256-4	4	Washer-Flat
7	3217-9	4	Nut-HH	23	340-139	5	Fitting-Elbow 90
8	3256-26	8	Washer-Flat	23:1	237-81	1	O-Ring
9	3296-25	4	Nut-Lock, NI	23:2	237-65	1	O-Ring
10	3296-39	2	Nut-Lock, NI	24	21-3001	2	Nut-Jam
11	100-3031	1	RH Lift Arm ASM	25	3290-467	2	Pin-Hair
11:2	104-0015	2	Bushing-Flange	26	93-4583-01	2	Mount-Joint, Ball
11:3	302-11	1	Fitting-Lube, 45 DEG	27	3272-12	2	Pin-Cotter
12	302-5	2	Fitting-Grease	28	87-7480	8	Washer
13	100-3017	2	*obs Pin-Lift Arm	29	3296-48	4	Nut-Hex

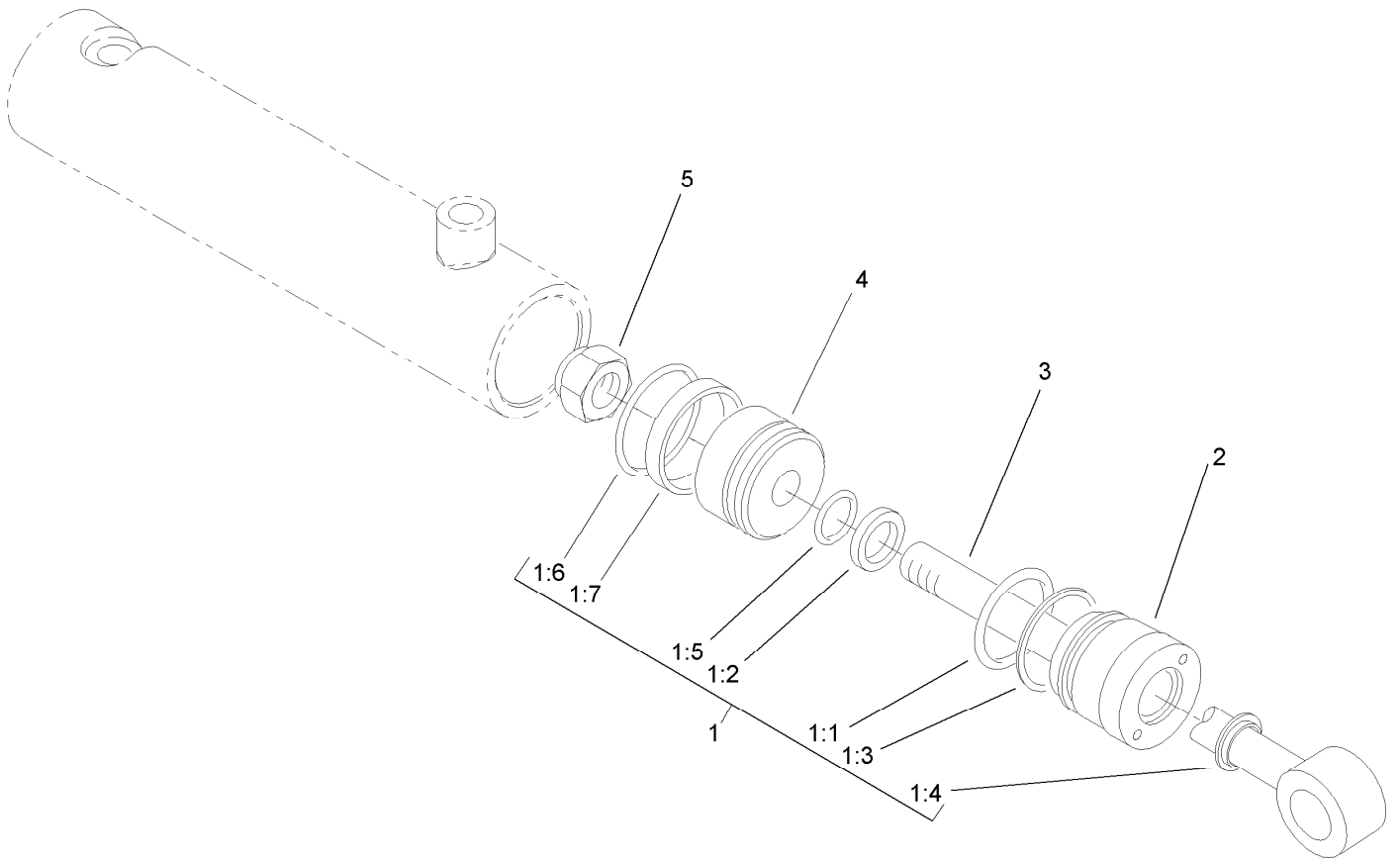
● Not serviced separately



Front Deck Lift Arm and Cylinder Assembly (continued)

Ref.	Part Number	Qty.	Description	Ref.	Part Number	Qty.	Description
30	104-3542	3	Spider	41	119-5311	1	Mount-Switch, Front
31	104-3541	3	Hub-Spider	42	3229-1	2	Screw-CARR
33	99-5489	3	Gear Motor ASM	43	3256-23	2	Washer-Plain
34	340-8	1	Fitting-Straight	44	3230-16	2	Screw-CARR
34:1	237-65	1	O-Ring	45	340-2	3	Fitting-Straight
34:2	237-81	1	O-Ring	45:1	237-22	1	O-Ring
35	3234-42	6	Screw-HHF	45:2	237-42	1	O-Ring
36	340-2	2	Fitting-Straight	46	340-77	2	Fitting-Elbow, 90 DEG
36:1	237-22	1	O-Ring	46:1	237-22	1	O-Ring
36:2	237-42	1	O-Ring	46:2	237-42	1	O-Ring
38	115-0282	1	Proximity Sensor ASM	47	3296-29	2	Nut-Lock, NI
38:1	117-3207	2	Nut-Hex	50	100-3032	1	LH Lift Arm ASM
38:2	117-3208	2	Washer-Lock, Internal Tooth	50:2	104-0015	2	Bushing-Flange
39	119-5312	1	Plate-Sensing, Front	50:3	302-11	1	Fitting-Lube, 45 DEG
40	3296-42	2	Nut-Lock, NI				

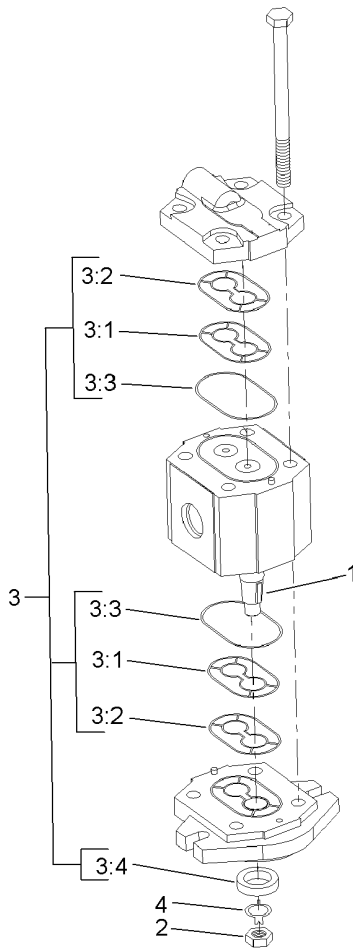
● Not serviced separately



Hydraulic Cylinder Assembly No. 107-4304

<i>Ref.</i>	<i>Part Number</i>	<i>Qty.</i>	<i>Description</i>
1	107-0248	1	Seal Kit
1:1		1	O-Ring ●
1:2		1	Seal ●
1:3		1	Back-Up ●
1:4		1	Wiper ●
1:5		1	O-Ring ●
1:6		1	Seal W/Loader ●
1:7		1	Wear Ring ●
2		1	Head ●
3		1	Rod ASM ●
4		1	Piston ●
5		1	Locknut ●

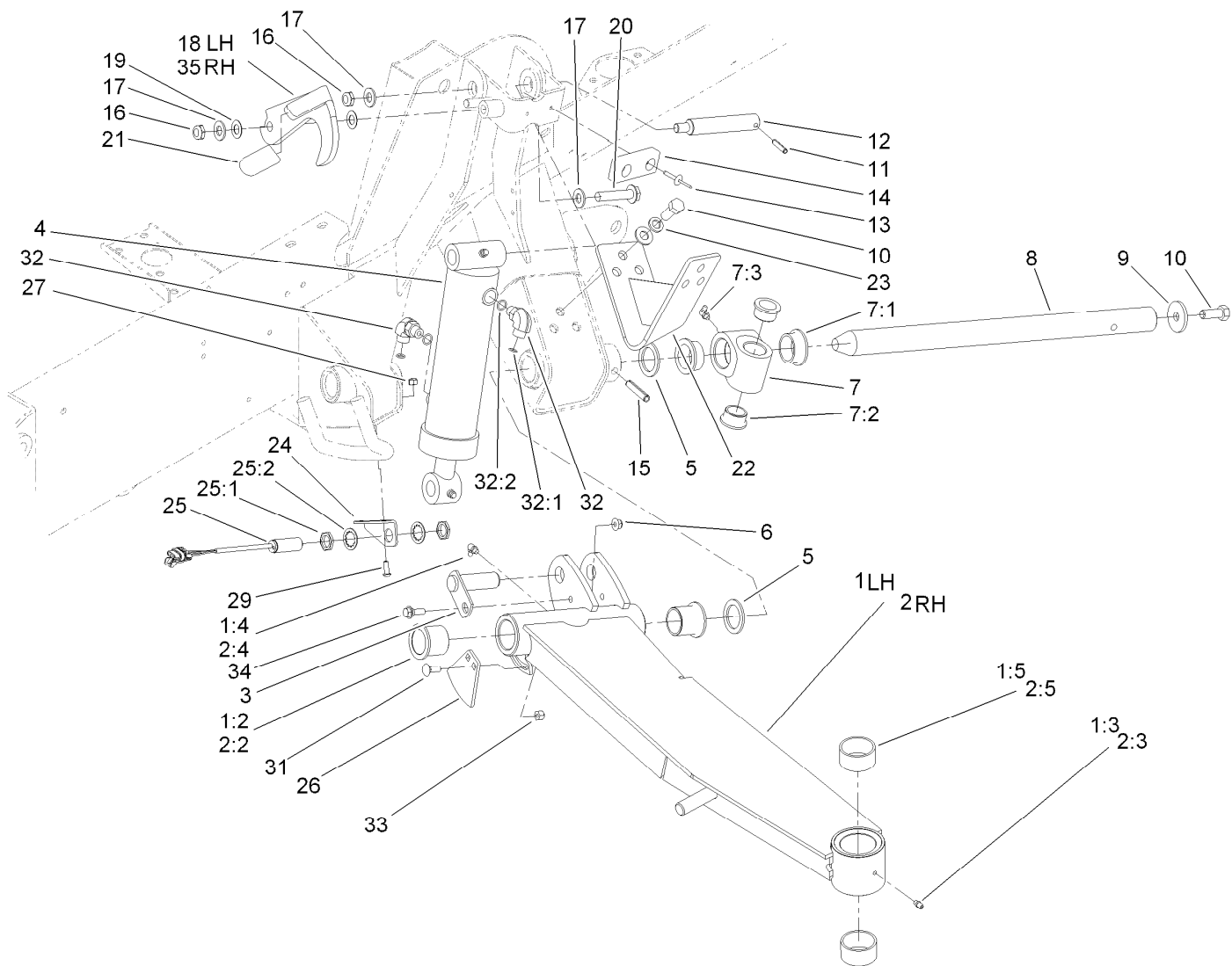
● Not serviced separately



Gear Motor Assembly No. 99-5489

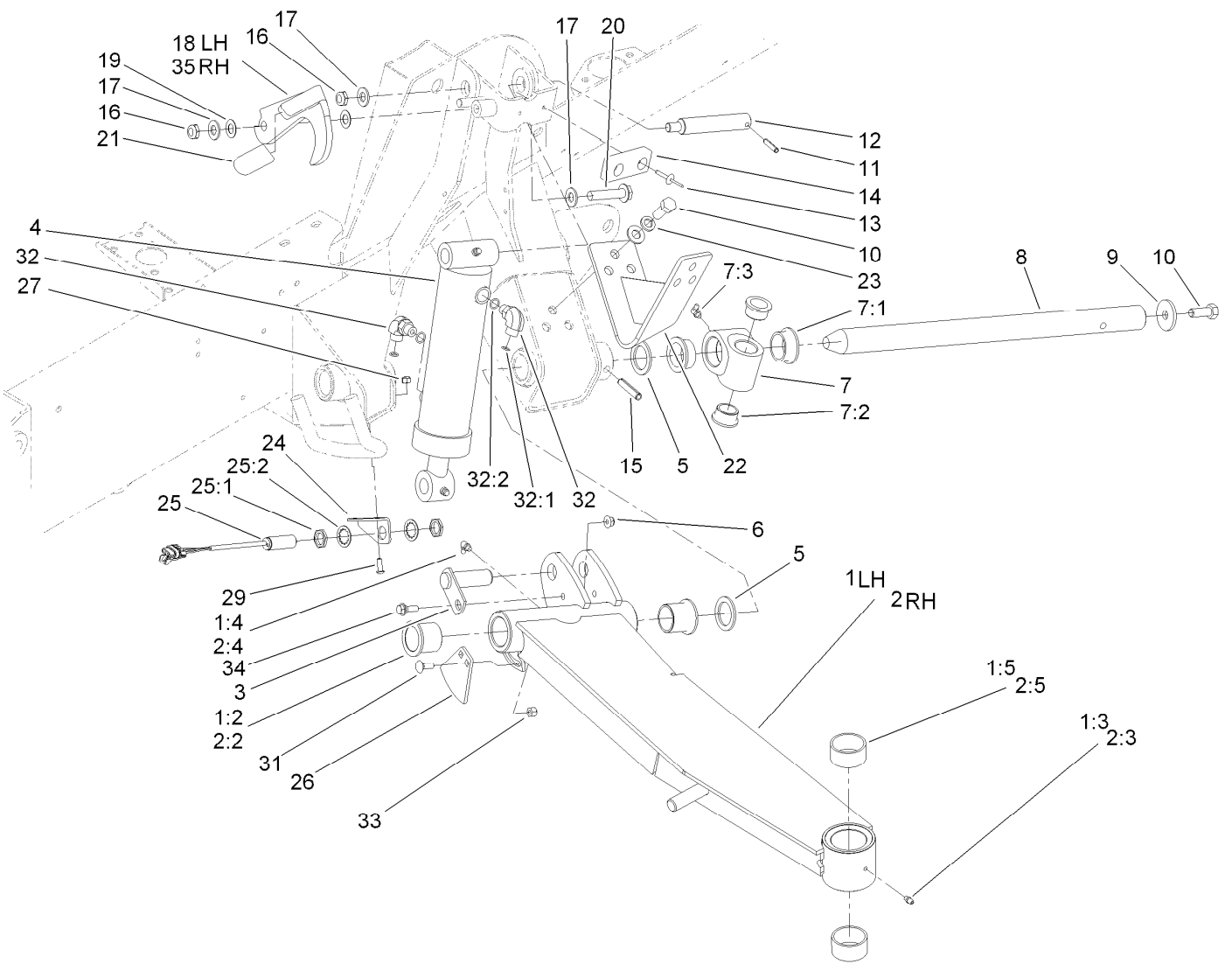
<i>Ref.</i>	<i>Part Number</i>	<i>Qty.</i>	<i>Description</i>
1	3257-3	1	Key-Woodruff
2	110-8815	1	Nut-Hex
3	104-4284	1	Seal Kit
3:1		2	Anti-Ext Ring ●
3:2		2	Seal ●
3:3		2	O-Ring ●
3:4		1	Seal-Lip, Shaft ●
4	104-4283	1	Washer-Tab

● Not serviced separately



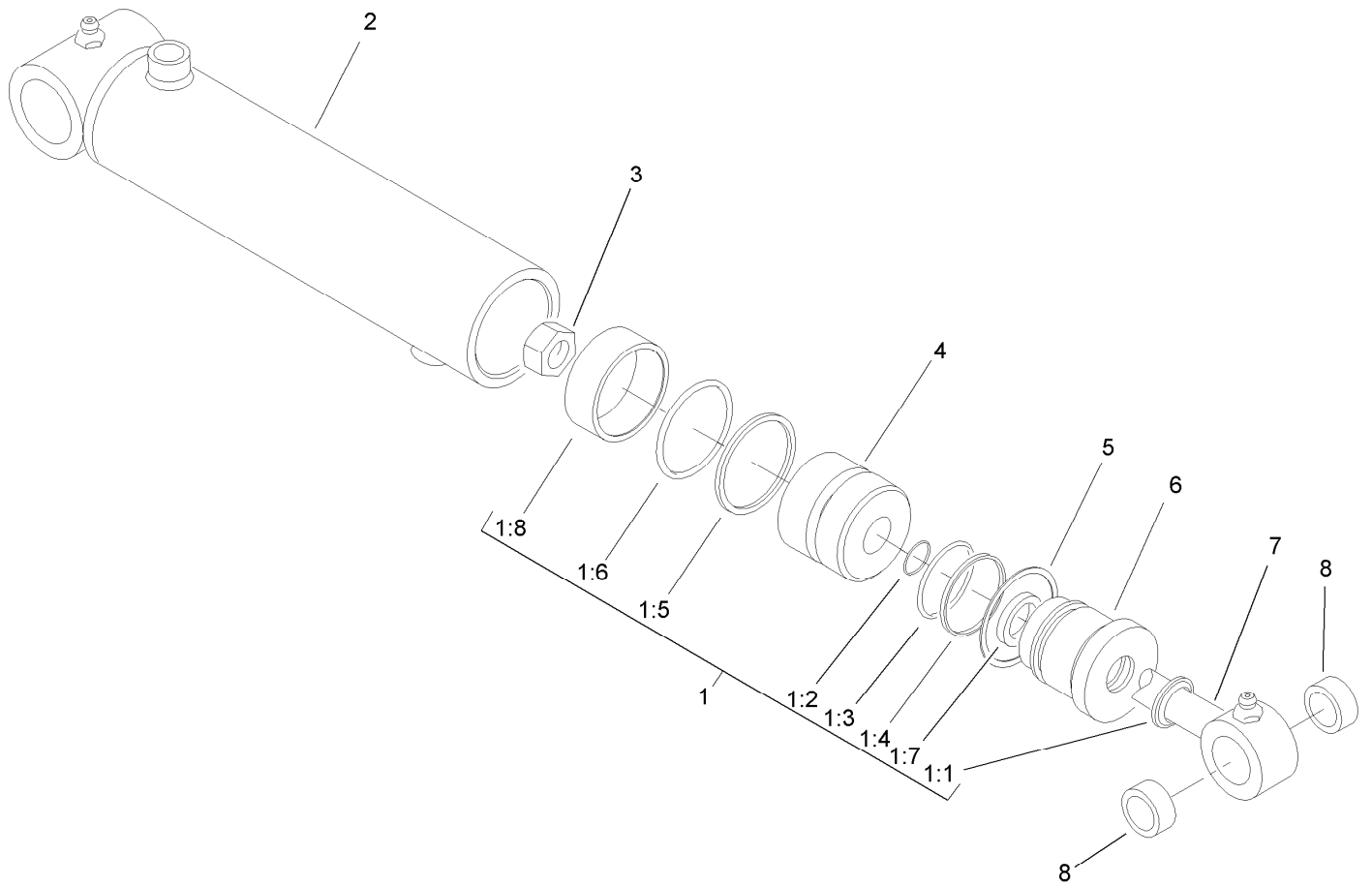
Side Deck Lift Arm, Cylinder and Latch Assembly

Ref.	Part Number	Qty.	Description	Ref.	Part Number	Qty.	Description
1	119-0089	1	LH Lift Arm ASM	11	32121-9	2	Pin-Roll, Slotted
1:2	69-6470	2	Bushing-Caster	12	104-3537	2	Pin-Cylinder
1:3	302-5	1	Fitting-Grease	13	3269-11	4	Rivet-Pop
1:4	302-60	1	Fitting-Grease	14	86-5350	2	Bumper-Rubber
1:5	114-5596	2	Bushing-Straight	15	32121-110	2	Pin-Roll, Slotted
2	119-0087	1	RH Lift Arm ASM	16	3296-45	4	Nut-Hex
2:2	69-6470	2	Bushing-Caster	17	3256-26	10	Washer-Flat
2:3	302-5	1	Fitting-Grease	18	104-3557-03	1	Latch-LH
2:4	302-60	1	Fitting-Grease	19	104-3577	4	Washer
2:5	114-5596	2	Bushing-Straight	20	3234-46	2	Screw-HHF
3	100-5674	2	Pin	21	48-7081	2	Grip-Plastic
4	107-4303	2	HYD Cylinder ASM	22	104-8330-03	2	Bracket-Cam
5	256-304	4	Washer-Thrust	23	3253-7	6	Washer-Lock
6	104-8300	2	Nut-HF, NI	24	119-0076	2	Mount-Switch, Wing
7	115-5468	2	Pivot Hub ASM	25	115-5300	2	Proximity Switch ASM
7:1	115-5469	2	Bushing-Flange	25:1	117-3207	2	Nut-Hex
7:2	114-5680	2	Bushing-Flange	25:2	117-3208	2	Washer-Lock, Internal Tooth
7:3	302-60	1	Fitting-Grease	26	119-0077	2	Plate-Sensing, Wing
8	100-5582	2	Shaft-Pivot, Lift Arm	27	104-7201	4	Nut-HF, NI
9	106-2008	2	Washer-Thrust	29	3274-69	4	Screw-HSBH
10	325-5	8	Screw-HH	31	3230-16	4	Screw-CARR



Side Deck Lift Arm, Cylinder and Latch Assembly (continued)

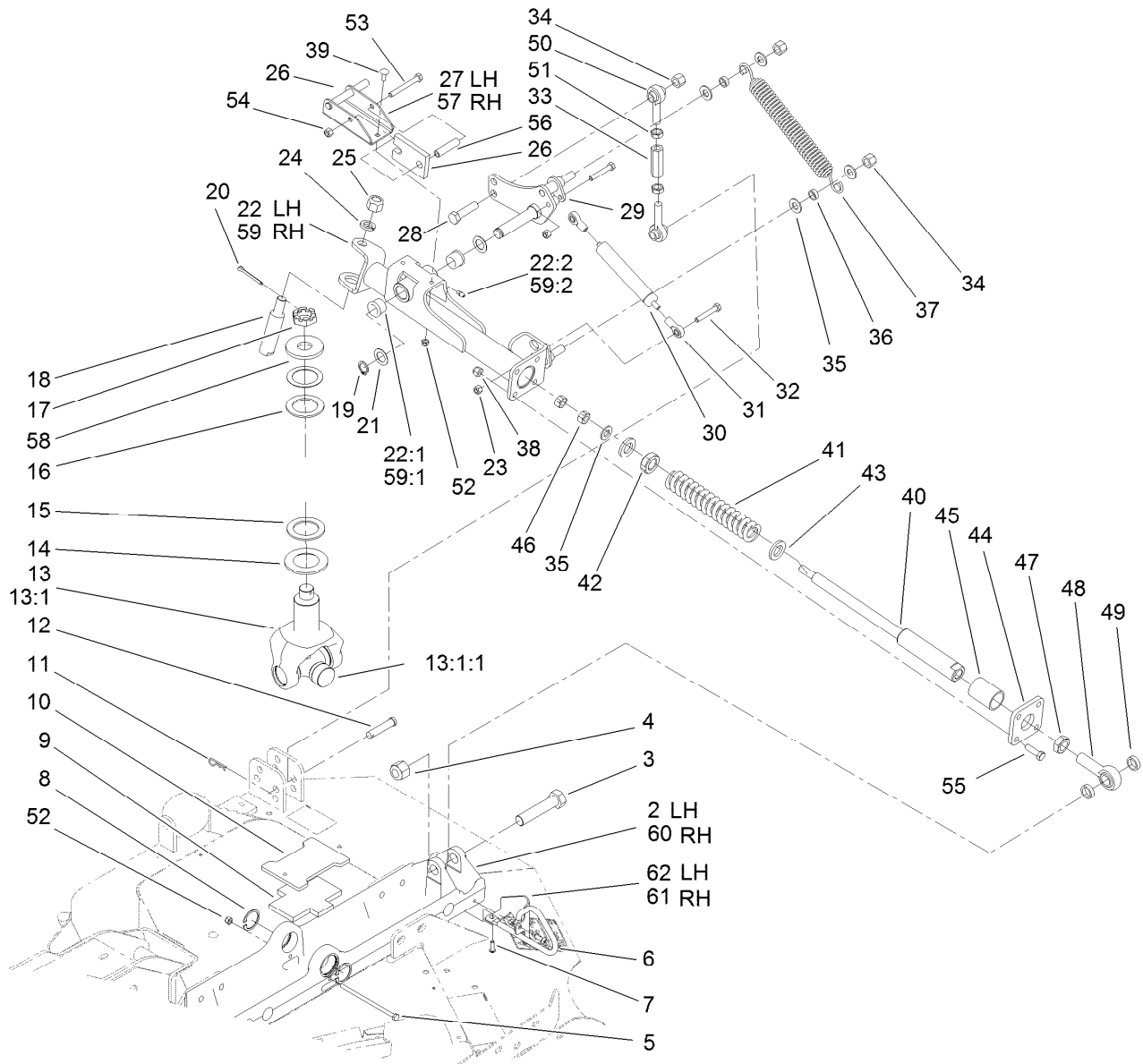
Ref.	Part Number	Qty.	Description	Ref.	Part Number	Qty.	Description
32	340-77	4	Fitting-Elbow, 90 DEG	33	104-8300	4	Nut-HF, NI
32:1	237-22	1	O-Ring	34	27-0410	2	Screw-Shoulder
32:2	237-42	1	O-Ring	35	104-3556-03	1	Latch-RH



Hydraulic Cylinder Assembly No. 107-4303

Ref.	Part Number	Qty.	Description
1	107-0249	1	Seal Kit
1:1		1	Wiper ●
1:2		1	O-Ring ●
1:3		1	O-Ring ●
1:4		1	Back-Up ●
1:5		1	Seal ●
1:6		1	O-Ring ●
1:7		1	Seal ●
1:8		1	Wear Ring ●
2		1	Barrel ASM ●
3		1	Locknut ●
4		1	Piston ●
5		1	Ring, Retaining ●
6		1	Head ●
7		1	Rod ASM ●
8	104-4281	2	Bushing

● Not serviced separately

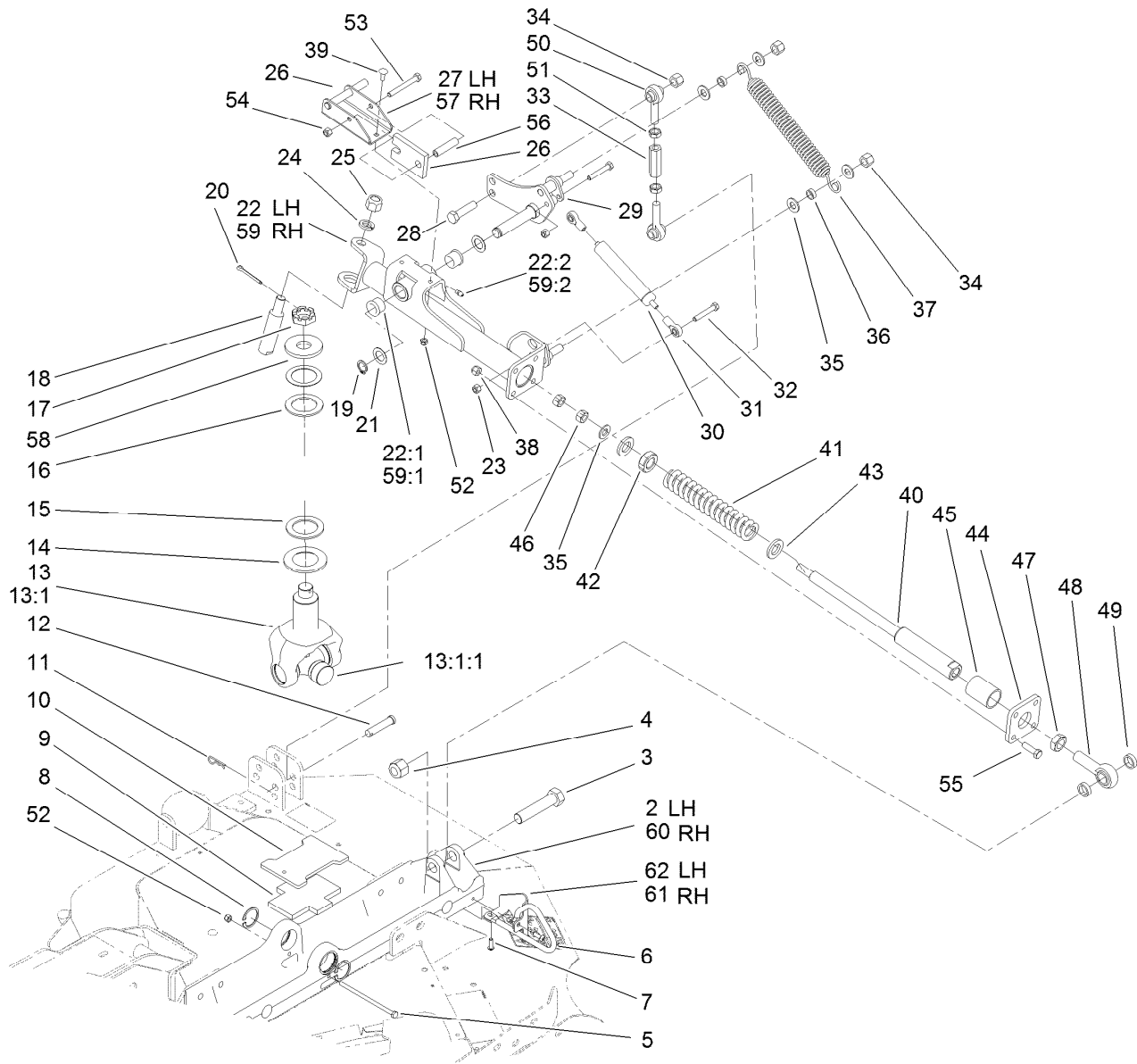


Side Deck Lift Arm and Damper Assembly

Ref.	Part Number	Qty.	Description	Ref.	Part Number	Qty.	Description
2	107-4349-03	1	Mount-Deck, LH	18	104-2281	2	Shaft-Pivot
3	328-5	2	Screw-HH	19	32120-93	2	Ring-Retaining
4	3296-51	2	Nut-Lock, NI	20	3272-25	2	Pin-Cotter
5	321-47	2	Screw-HH	21	3-6498	4	Washer-Thrust
6	108-1529	2	Support-Hose	22	108-1473	1	LH Rear Arm ASM
7	3274-69	4	Screw-HSBH	22:1	256-113	2	Bushing-Flange
8	32120-42	4	Ring-Retaining	22:2	302-5	1	Fitting-Grease
9	104-8348	2	Plate-Rubber	23	3296-29	4	Nut-Lock, NI
10	108-1528-03	2	Plate	24	3253-8	2	Washer-Lock
11	3290-467	2	Pin-Hair	25	3296-53	2	Nut-Lock, NI
12	92-2739	2	Pin-Clevis	26	119-0118	10	Pad-Bumper
13	114-5640-03	2	Joint Yoke ASM	27	119-0117-03	1	Mount-Bumper, LH
13:1		1	Yoke-Joint ■	28	325-9	2	Screw-HH
13:1:1	104-4299	1	Cross And Bearing Kit	29	108-1475-03	1	Bell Crank-RH
14	104-0720	2	Spacer	29	108-1476-03	1	Bell Crank-LH
15	104-0721	4	Washer-Thrust	30	105-3249	2	Damper
16	114-5641	2	Washer-Thrust	31	104-8331	4	End-Rod, Spherical
17	99-3139	2	Nut-Slotted	32	322-10	4	Screw-HH

● Not illustrated

■ Not serviced separately

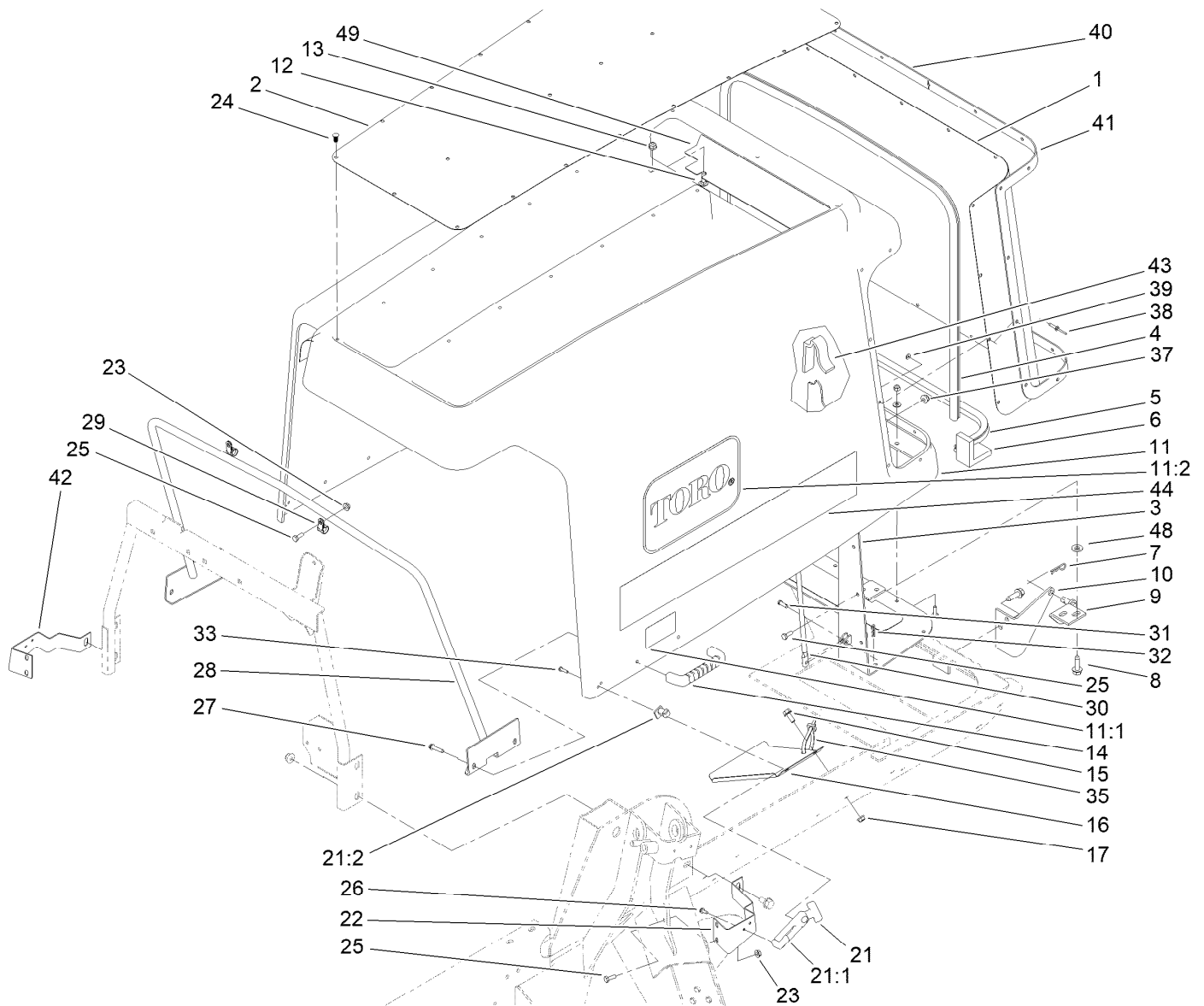


Side Deck Lift Arm and Damper Assembly (continued)

Ref.	Part Number	Qty.	Description	Ref.	Part Number	Qty.	Description
33	105-2809	2	Tube-Link	49	105-0756	4	Spacer
34	3296-23	6	Nut-Lock, NI	50	105-2808	4	End-Rod
35	3256-26	10	Washer-Flat	51	3220-5	4	Nut-Jam
36	104-7521	4	Bushing	52	3296-42	6	Nut-Lock, NI
37	104-7520	2	Spring-Damper	53	322-13	2	Screw-HH
38	3296-39	8	Nut-Lock, NI	54	3296-29	2	Nut-Lock, NI
39	3229-25	4	Screw-CARR	55	323-7	8	Screw-HH
40	105-4548	2	Shaft-Spring	56	85-8960	2	Spacer
41	100-8138	2	Spring-Compression	57	119-0116-03	1	Mount-Bumper, RH
42	105-4552	2	Bearing-Plastic	58	104-0719	2	Washer-Hardened
43	105-4551	4	Washer-Flat	59	108-1471	1	RH Rear Arm ASM
44	105-2807-03	2	Plate	59:1	256-113	2	Bushing-Flange
45	105-4550	2	Bushing-Straight	59:2	302-5	1	Fitting-Grease
46	3217-9	4	Nut-HH	60	107-4348-03	1	Mount-Deck, RH ●
47	3220-7	2	Nut-Jam	61	120-0480-03	1	Guide-Hose, RH
48	105-2806	2	End-Rod	62	120-0481-03	1	Guide-Hose, LH

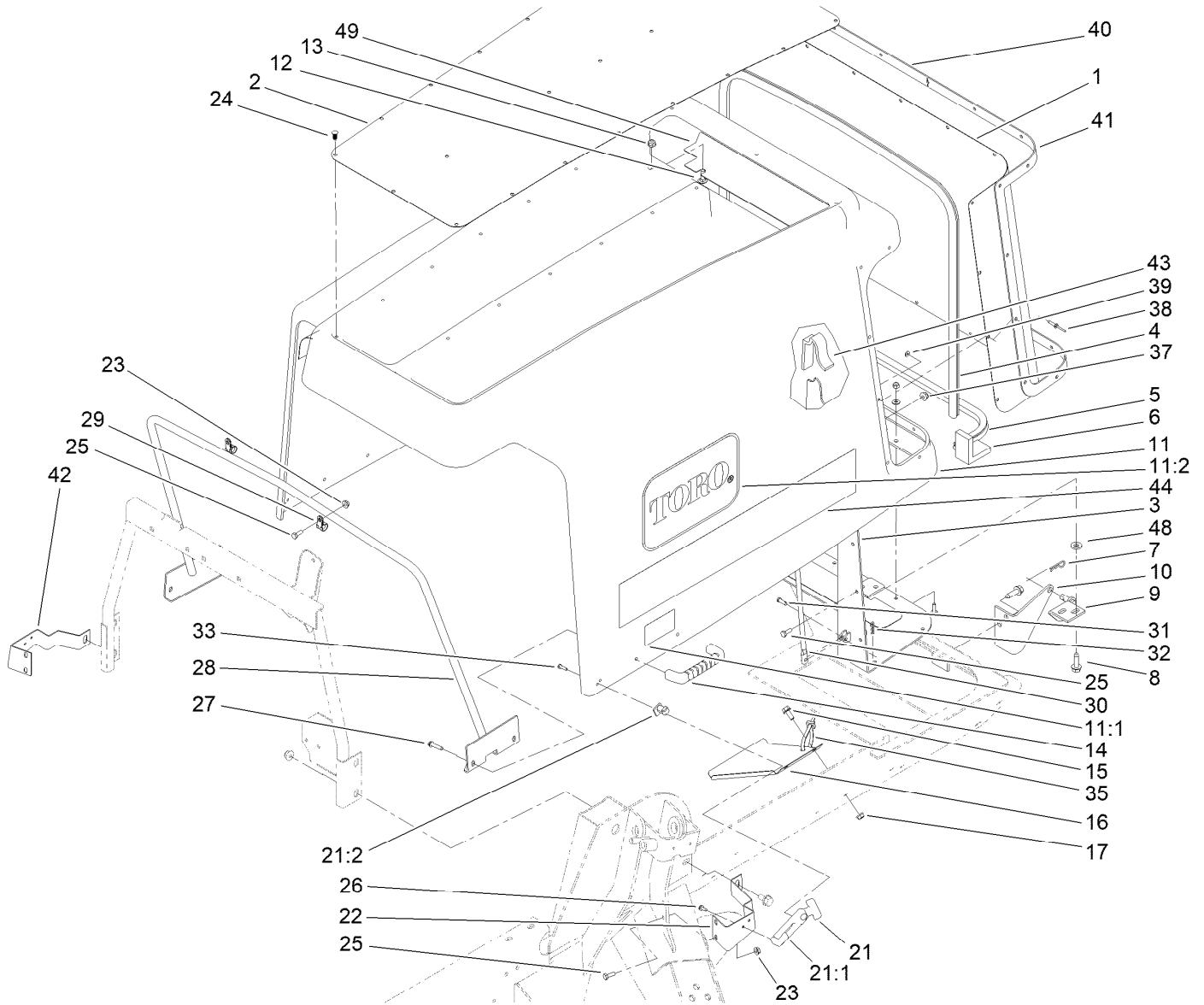
● Not illustrated

■ Not serviced separately



Hood and Screen Assembly

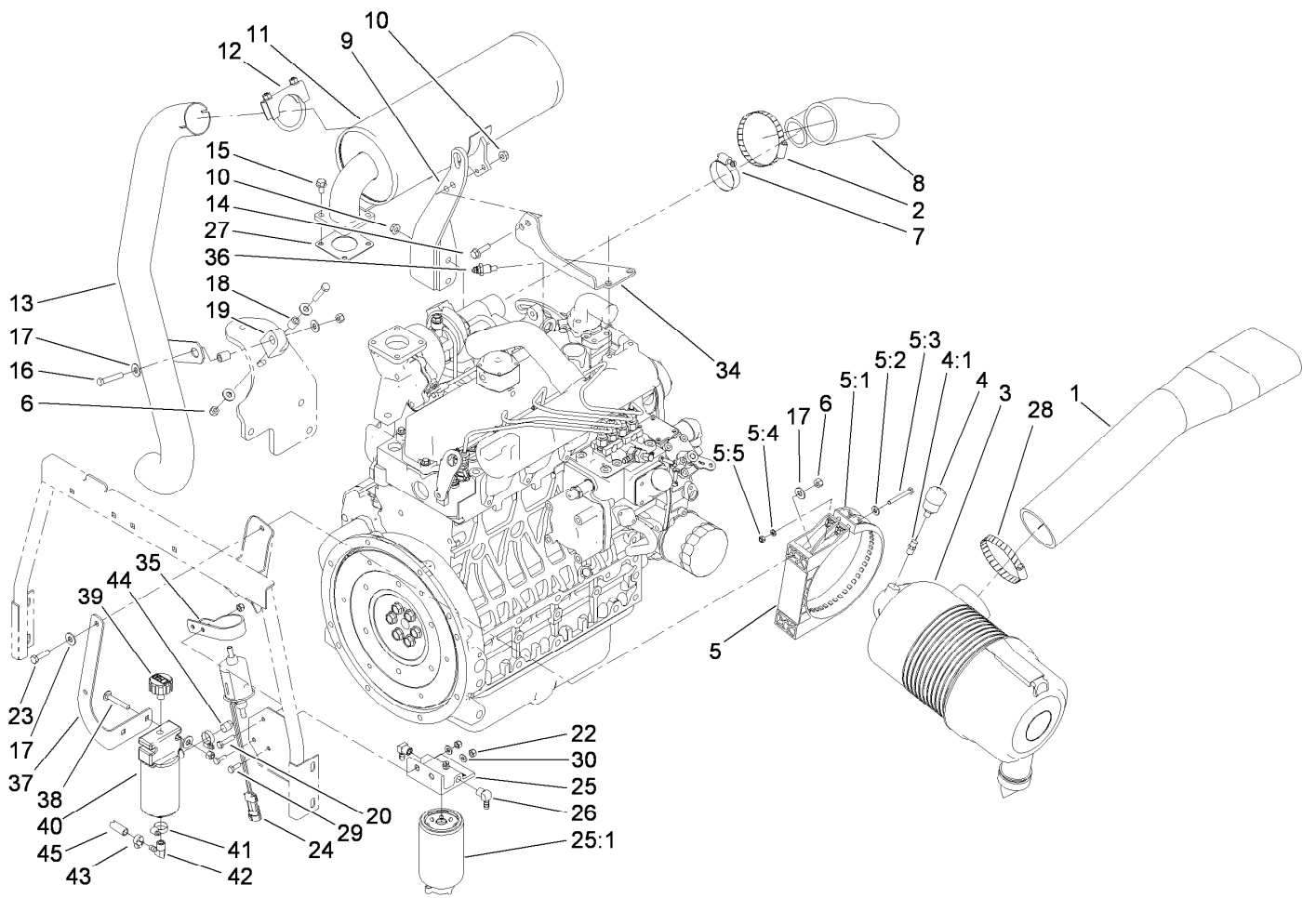
Ref.	Part Number	Qty.	Description	Ref.	Part Number	Qty.	Description
1	114-3844-03	1	Screen-Rear	21:2	103-4081	1	Latch-Keeper
2	114-3845-03	1	Screen-Top	22	104-2253-03	1	Bracket-Latch, LH
3	114-3824-03	1	Screen ASM	23	32128-33	6	Nut-HF
4	114-3823	1	Seal-Bulb	24	114-4899	24	Rivet-Push
5	104-3590	1	Seal-Bulb	25	321-4	26	Screw-HH
6	104-3580	2	Seal-Corner, Screen	26	32144-1	4	Screw-Taptite
7	3290-467	2	Pin-Hair	27	46-8092	4	Screw-Plastite
8	32144-109	8	Screw-Thd	28	104-3505-03	1	Support-Hood
9	104-3589	2	Pivot-Screen	29	2412-134	2	Clamp-R
10	104-3588-03	2	Pivot-Screen	30	104-8313	2	Rod-Hood
11	119-0056	1	Hood ASM	31	283-67	2	Pin-Clevis
11:1	106-6754	1	Decal-Danger	32	3290-307	2	Pin-Cotter
11:2	66-1210	2	Decal	33	32104-4	2	Screw
12	3230-2	2	Bolt-CARR	35	3290-378	1	Tie-Cable
13	104-8300	2	Nut-HF, NI	37	104-7201	20	Nut-HF, NI
14	65-5100	2	Handle-Door	38	3269-28	22	Rivet-Pop
15	3234-5	2	Screw-HHF	39	3269-26	22	Washer-Plain
16	104-3560-03	1	Deflector-Filter, Oil	40	115-3759-03	1	Mount-Screen, RH
17	32128-20	2	Nut-HF	41	115-3758-03	1	Mount-Screen, LH
21	94-5626	2	Flexible Draw Latch ASM	42	104-2255-03	1	Bracket-Latch, RH
21:1	103-4080	1	Latch-Rubber	43	115-8479	2	Seal-Foam



Hood and Screen Assembly (continued)

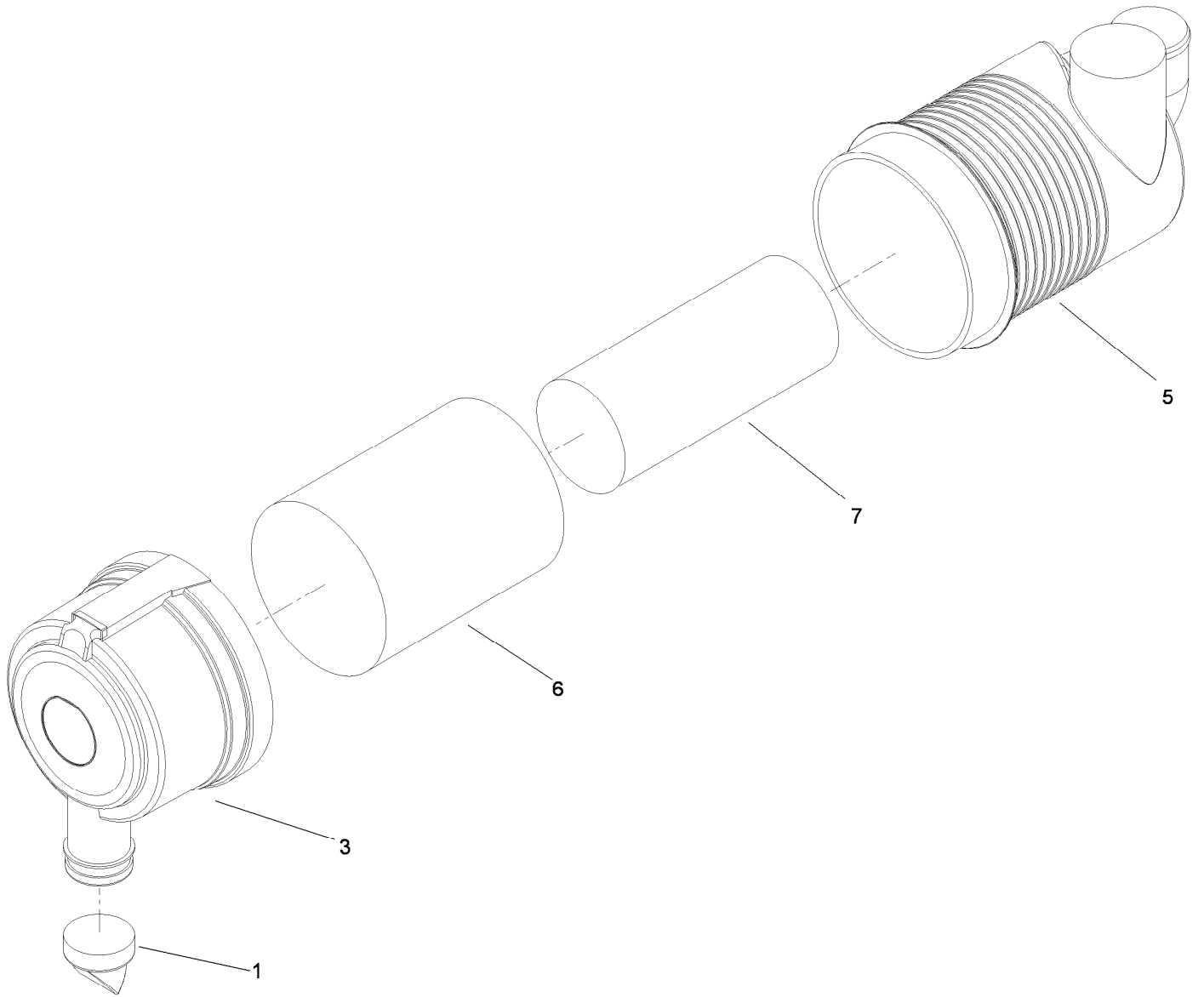
<i>Ref.</i>	<i>Part Number</i>	<i>Qty.</i>	<i>Description</i>
44	106-2045	2	Decal-Hood

<i>Ref.</i>	<i>Part Number</i>	<i>Qty.</i>	<i>Description</i>
48	43-0940	4	Spacer
49	119-0097-03	1	Shield-Hood



Air Cleaner and Muffler Assembly

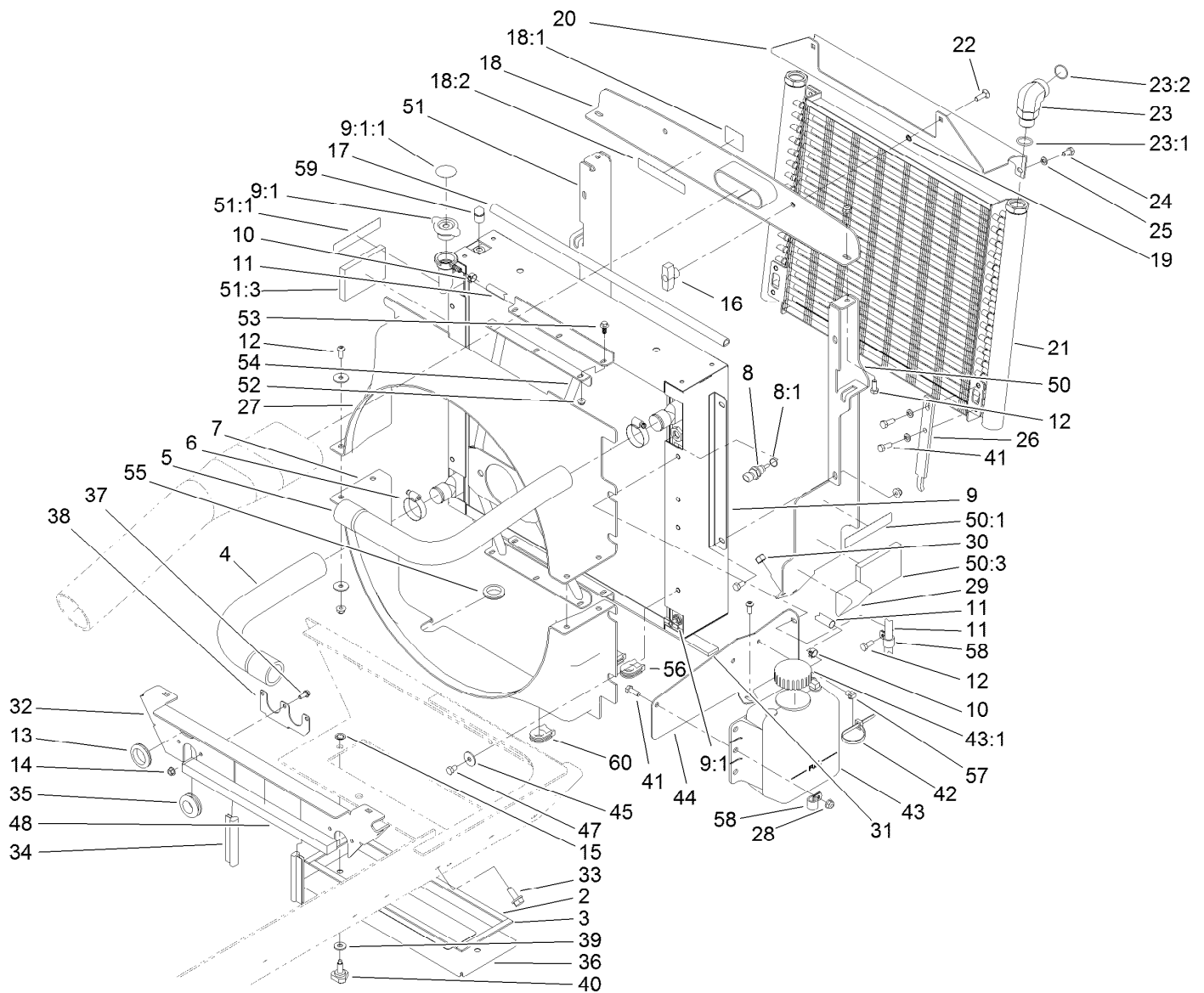
Ref.	Part Number	Qty.	Description	Ref.	Part Number	Qty.	Description
1	114-3846	1	Hose-Air Cleaner	19	95-5622	1	Hanger-Rubber
2	2412-110	1	Clamp-Band/Screw	20	321-8	1	Screw-HH
3	99-5410	1	Air Cleaner ASM	22	3296-42	3	Nut-Lock, NI
4	104-3563	1	Indicator	23	322-6	2	Screw-HH
4:1	94-1416	1	Adapter-Indicator	24	110-8806	1	Pump-Fuel
5	99-5414	1	Strap-Cleaner, Air	25	110-9044	1	Separator-Filter
5:1	108-1512	2	Spring	25:1	110-9049	1	Filter-Spin On, Fuel/Water
5:2	3256-22	2	Washer-Flat	26	353-781	2	Fitting-HYD, 90
5:3	33113-050	2	Screw-HH	27	100-9333	1	Gasket-Muffler
5:4	33093-00	2	Washer-Flat	28	2412-125	1	Clamp-Hose
5:5	33023-00	2	Nut-Lock	29	321-4	2	Screw-HH
6	3296-29	6	Nut-Lock, NI	30	3256-22	2	Washer-Flat
7	2412-92	1	Clamp-Hose	34	112-9113-03	1	Mount-Exhaust
8	117-2396	1	Hose-Air Cleaner	35	110-8817	1	Bracket-Pump, Fuel
9	114-9781-03	1	Mount-Exhaust	36	98-9346	1	Sender-Temperature
10	33004-00	4	Nut-HF	37	119-0085-03	1	Mount-Overflow
11	114-3849	1	Muffler-Turbo	38	3230-5	2	Bolt-CARR
12	49-2580	1	Clamp-Muffler	39	68-6150	1	Breather
13	119-0100	1	Pipe-Exhaust	40	119-0098	1	Tank-Overflow
14	33104-030	2	Screw-HHF	41	2412-36	2	Clamp-Hose
15	33104-016	6	Screw-HHF	42	353-781	1	Fitting-HYD, 90
16	322-9	2	Screw-HH	43	2412-108	1	Clamp-Worm
17	3256-3	10	Washer-Flat	44	281-1	1	Plug-Pipe, SQH
18	93-5023	2	Spacer	45	110-4100	1	Hose-Fuel



Air Cleaner Assembly No. 99-5410

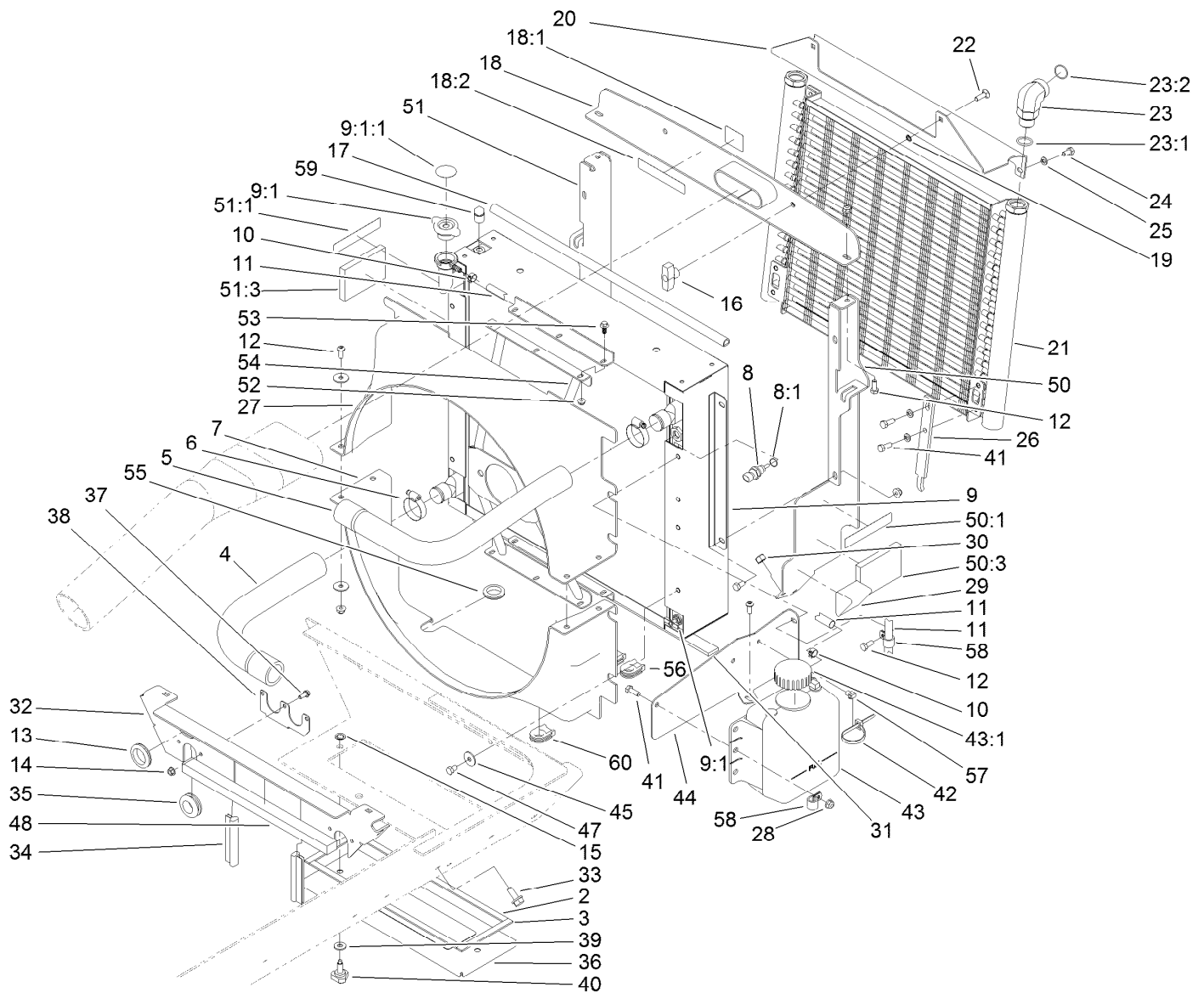
<i>Ref.</i>	<i>Part Number</i>	<i>Qty.</i>	<i>Description</i>
1	104-4258	1	Valve-Vacuator
3	104-4259	1	Cover
5		1	Body ASM ●
6	108-3814	1	Filter-Air
7	108-3816	1	Filter-Air

● Not serviced separately



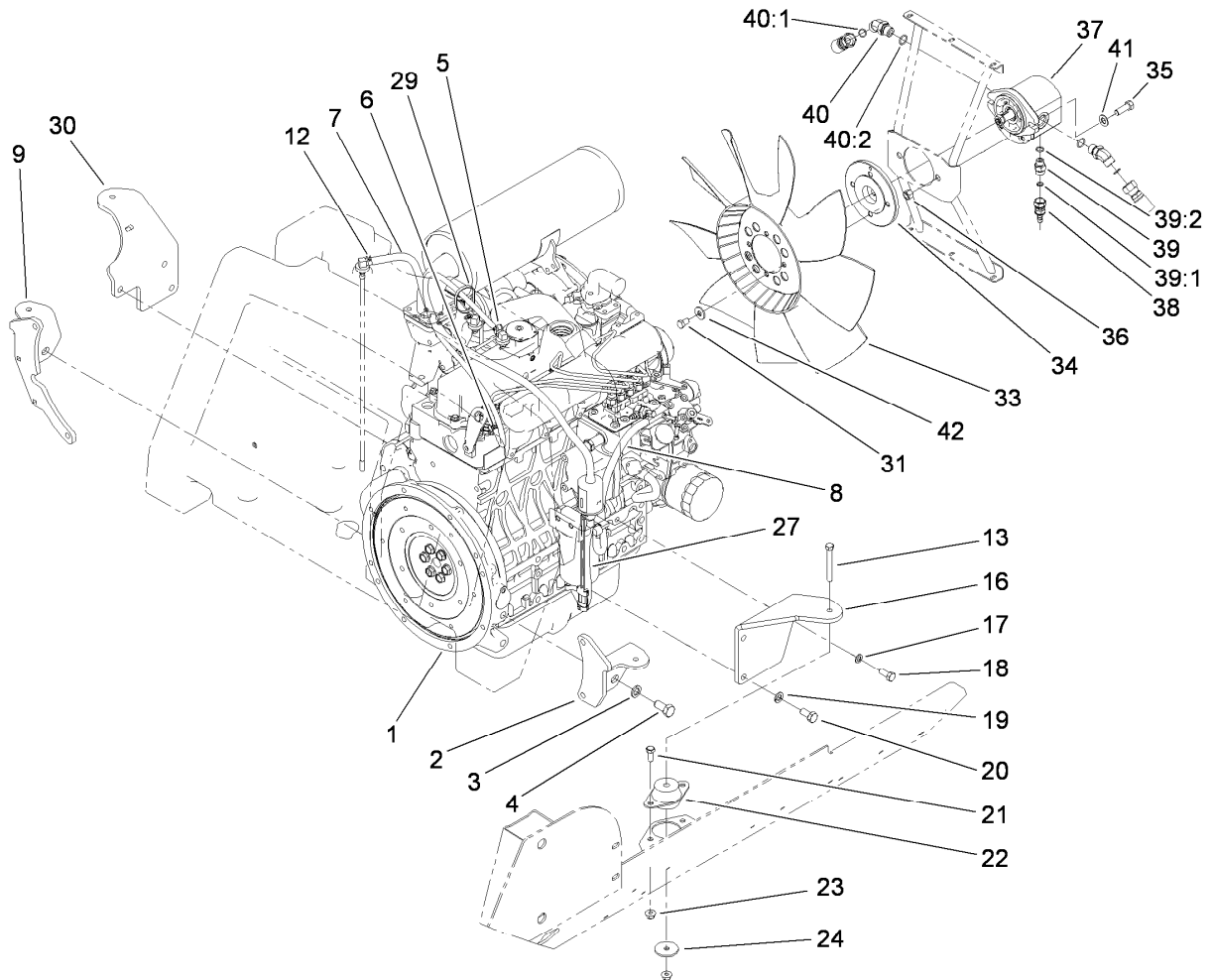
Radiator, Oil Cooler and Support Assembly

Ref.	Part Number	Qty.	Description	Ref.	Part Number	Qty.	Description
2	105-0777	2	Strip-Foam	18:2	93-7272	1	Decal-Warning
3	105-0778	2	Strip-Foam	19	104-8310	2	Ring-Retaining
4	114-3832	1	Hose-Radiator, Lower	20	117-5667-03	1	Bracket-Oil Cooler
5	114-3831	1	Hose-Radiator, Upper	21	110-0485	1	Cooler-Oil
6	2412-111	4	Clamp-Hose, W/Liner	22	3230-22	2	Screw-CARR
7	114-3834	1	Shroud-Radiator, Lower	23	104-3796	2	Fitting-Elbow 90
8	110-8829	1	Sender-Temperature	23:1	237-81	1	O-Ring
8:1	237-42	1	O-Ring	23:2	340-65	1	O-Ring
9	119-3871	1	Radiator	24	322-2	2	Screw-HH
9:1	115-7766	1	Cap-Radiator	25	3253-4	6	Washer-Lock
9:1:1	106-6755	1	Decal-Cap, Radiator	26	117-5657-03	2	Plate-Mount, Oil Cooler
10	92-2379	3	Clamp-Hose	27	114-3816	1	Shroud-Radiator, Upper
11	109-0277	2	Hose-Fuel	28	104-8300	12	Nut-HF, NI
12	3234-47	11	Screw-HHF	29	93-5954	2	Plug-Foam
13	240-3	1	Grommet-Rubber	30	3296-39	6	Nut-Lock, NI
14	32128-33	4	Nut-HF	31	104-2226	1	Strip-Foam
15	32151-72	2	Ring-Retaining	32	114-9763-03	1	Bracket-Base
16	98-7134	2	Knob-Handle	33	3234-24	6	Screw-HHF
17	114-3828	1	Seal-Bulb	34	104-2224	2	Seal-Bulb
18	114-3813	1	Radiator Top Support ASM	35	237-165	2	Grommet
18:1	93-7275	1	Decal-Fluid, Starting	36	110-6157-03	1	Cover



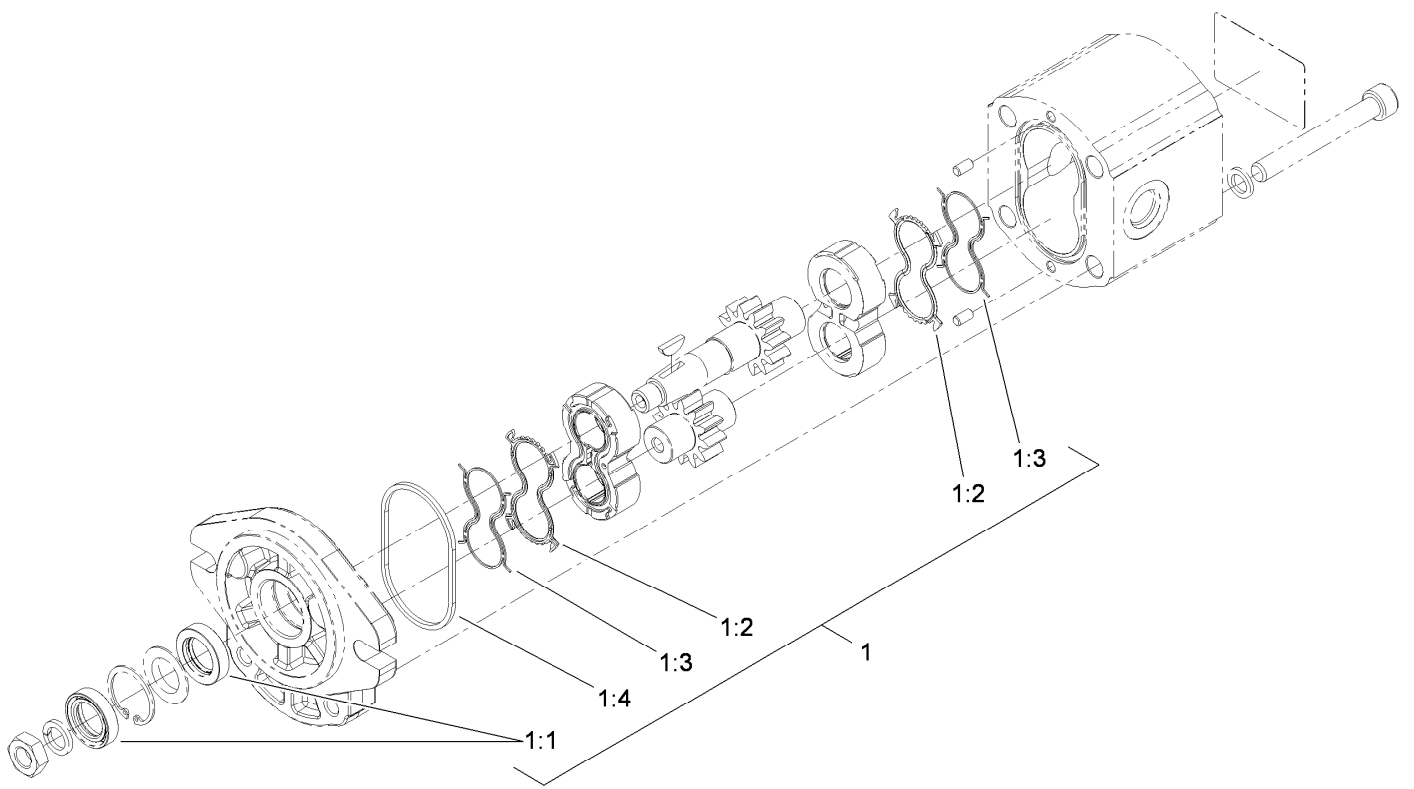
Radiator, Oil Cooler and Support Assembly (continued)

Ref.	Part Number	Qty.	Description	Ref.	Part Number	Qty.	Description
37	3234-33	4	Screw-HHF	50:3	100-2196	1	Pad-Foam
38	106-6773-03	2	Plate	51	114-3803	1	Radiator RH Support ASM
39	3256-3	2	Washer-Flat	51:1	93-7272	1	Decal-Warning
40	95-9648	2	Knob	51:3	100-2196	1	Pad-Foam
41	322-4	6	Screw-HH	52	104-7201	6	Nut-HF, NI
42	3290-378	1	Tie-Cable	53	99-6810	6	Screw-HHF
43	104-2276	1	Reservoir-Coolant	54	114-9764-03	1	Bracket-Motor, Fan
43:1	87-7050	1	Cap-Reservoir	55	240-3	1	Grommet-Rubber
44	114-3801-03	1	Bracket-Tank	56	115-3764	1	Grommet (.680 ID)
45	3256-82	6	Washer-Flat	57	32180-030	1	Clip-Tie
47	322-1	7	Screw-HH	58	92-6064	2	Clamp-R
48	95-4231	1	Foam-Seal, Side Screen	59	281-13	1	Plug-Pipe
50	114-3805	1	Radiator LH Support ASM	60	115-3763	1	Grommet (.800 ID)
50:1	93-7272	1	Decal-Warning				



Engine Mount, Fuel Line and Fan Drive Assembly

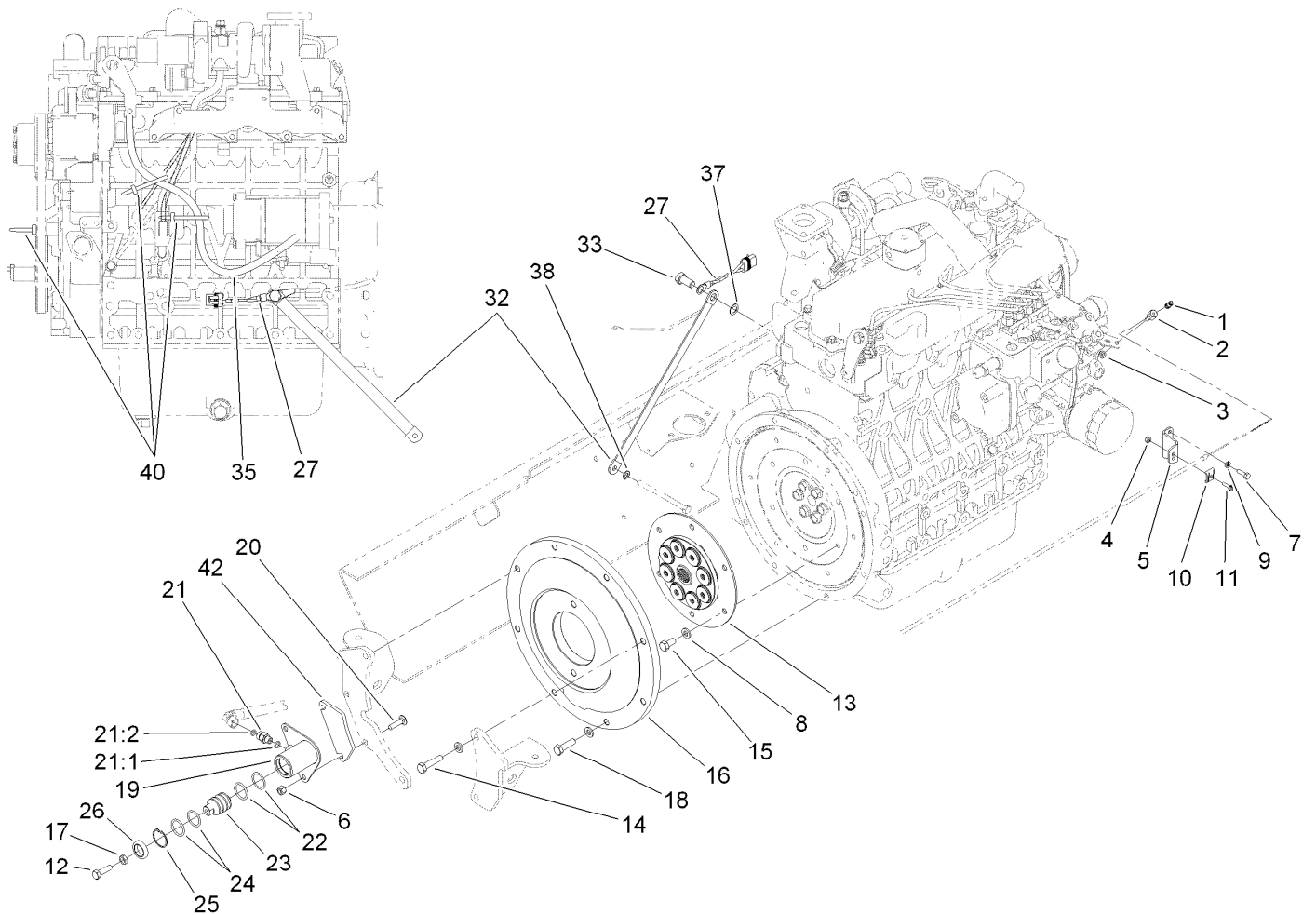
Ref.	Part Number	Qty.	Description	Ref.	Part Number	Qty.	Description
1	114-3800	1	Engine ASM	24	63-7400	4	Washer-Rebound
2	117-5659-03	1	Mount-Engine, LH	27	109-0274	2	Hose-Fuel
3	43-5950	2	Washer-Lock, Spring	29	3290-378	1	Tie-Cable
4	43-3210	2	Screw-HH	30	115-3766-03	1	Mount-Engine, Rear RH
5	2412-108	1	Clamp-Worm	31	115-8486	4	Screw-HH
6	2412-80	1	Clamp-Hose	33	114-3825	1	Fan
7	110-3257	1	Hose-Fuel	34	117-2364	1	Hub-Fan
8	110-3254	1	Hose-Fuel	35	324-5	2	Screw-HH
9	117-5658-03	1	Mount-Engine, RH	36	3296-48	2	Nut-Hex
12	92-2379	7	Clamp-Hose	37	117-4769	1	HYD Motor ASM
13	323-14	4	Screw-HH	38	115-3756	1	Hose ASM
16	114-3817-03	1	Mount-Engine, LH	39	340-2	1	Fitting-Straight
17	48-9590	1	Washer-Lock	39:1	237-22	1	O-Ring
18	43-0090	1	Screw-HH	39:2	237-42	1	O-Ring
19	48-8070	5	Washer-Lock	40	340-101	2	Fitting-HYD, 45 DEG
20	42-9250	5	Bolt	40:1	237-30	1	O-Ring
21	323-5	8	Screw-HH	40:2	237-79	1	O-Ring
22	53-9682	4	Mount-Engine	41	3256-25	2	Washer-Flat
23	104-8301	12	Nut-HF, NI	42	80-6990	4	Washer-Hardened



Hydraulic Motor Assembly No. 117-4769

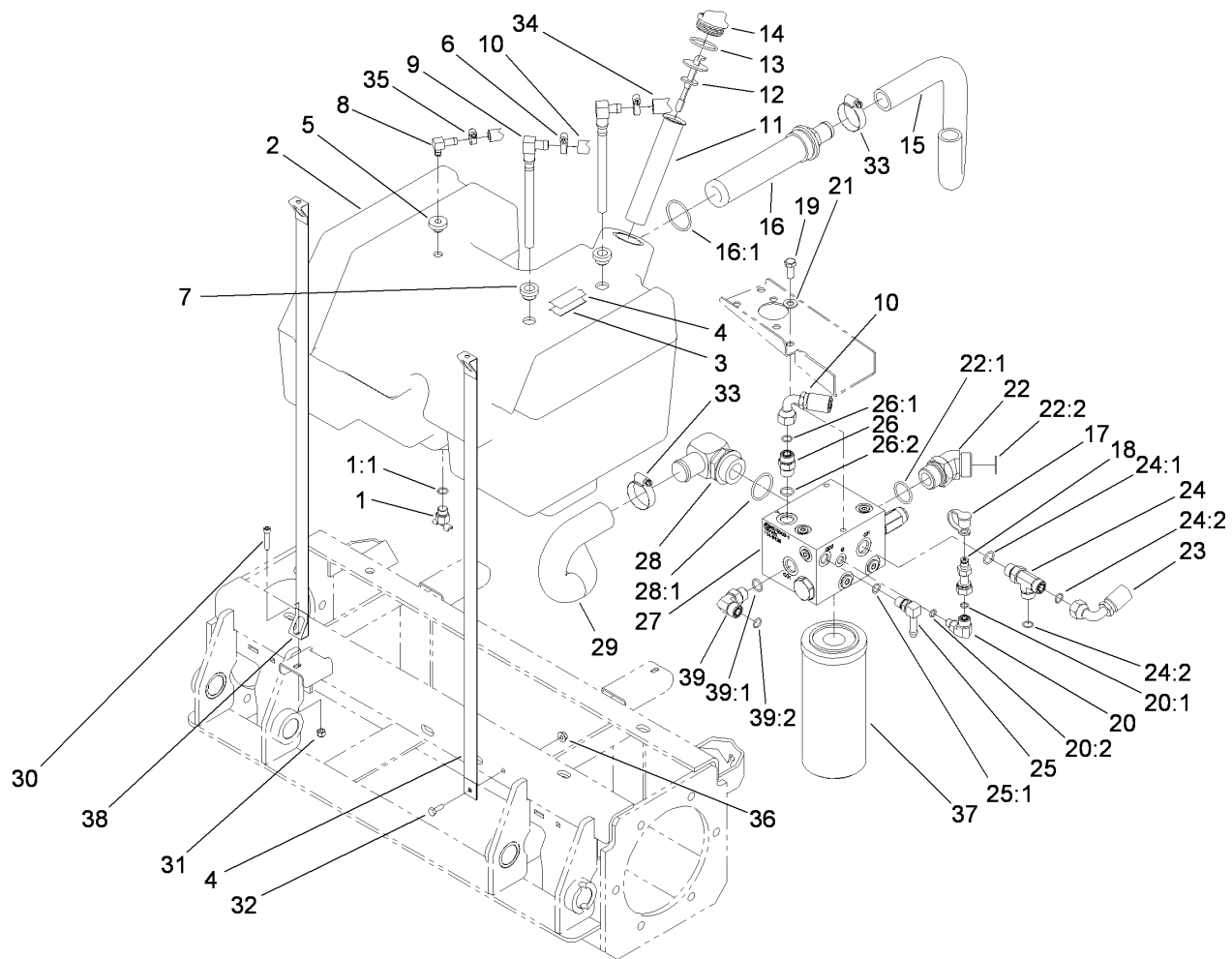
<i>Ref.</i>	<i>Part Number</i>	<i>Qty.</i>	<i>Description</i>
1	115-4110	1	Seal Kit
1:1		2	Seal-Shaft ●
1:2		2	Seal-Plate, Balancing ●
1:3		2	Seal-Anti Extrusion ●
1:4		2	O Ring-Housing ●

● Not serviced separately



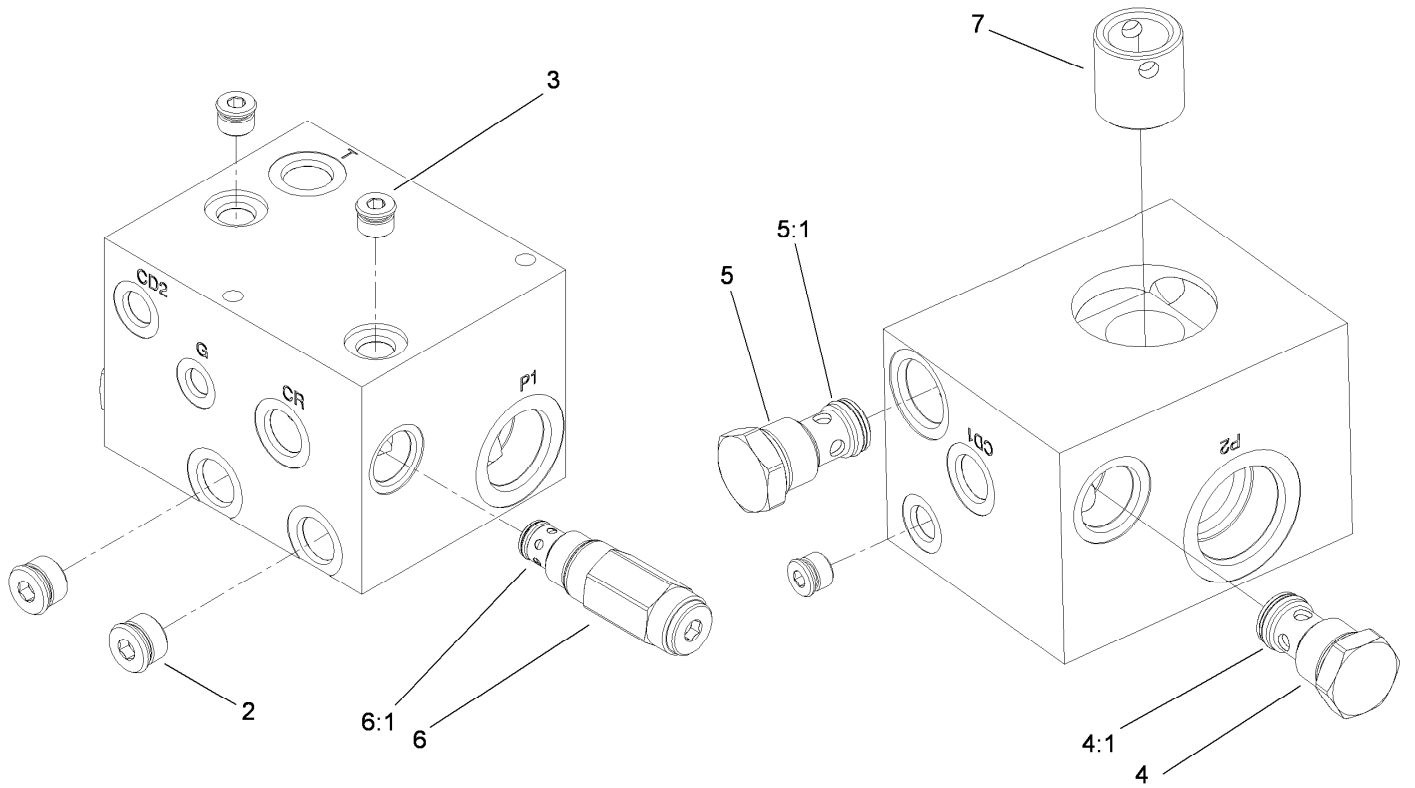
Flywheel and Throttle Assembly

Ref.	Part Number	Qty.	Description	Ref.	Part Number	Qty.	Description
1	112-9919	1	Stop-Cable, Throttle	19	117-5691	1	Cylinder-Transport
2	93-0021	1	Swivel-Cable, Throttle	20	3230-3	2	Screw-CARR
3	3296-13	1	Nut-Lock, NI	21	340-92	1	Fitting-Straight
4	3296-2	1	Nut-Lock, NI	21:1	237-78	1	O-Ring
5	115-9114-03	1	Support-Cable, Throttle	21:2	237-21	1	O-Ring
6	3296-29	2	Nut-Lock, NI	22	237-185	2	O-Ring
7	33113-020	2	Screw-HH	23	117-5689	1	Piston-Cylinder
8	107-1413	14	Washer-Hardened	24	104-2296	2	Ring-Back Up
9	43-5930	2	Washer-Lock, Spring	25	32151-51	1	Ring-Retaining
10	81-1690	1	Clamp-Cable	26	104-8304	1	Seal-Grease
11	32105-13	1	Screw-HWH	27	117-2370	1	Harness-Ground
12	323-7	1	Screw-HH	32	117-2377	1	Cable-Battery, Negative
13	114-3848	1	Coupler-Spring, Flywheel	33	42-9250	1	Bolt
14	117-5664	4	Screw-HH	35	117-4745	1	Cable-Battery, Positive
15	99-5130	6	Screw-HH	37	3255-2	1	Washer-Lock, EXT
16	115-6657-03	1	Plate-Flywheel	38	3255-8	1	Washer-Lock
17	3218-3	1	Nut-Jam	40	3290-378	5	Tie-Cable
18	117-5663	4	Screw-HH	42	117-5662	1	Spacer-Cylinder



Hydraulic Reservoir and Filter Assembly

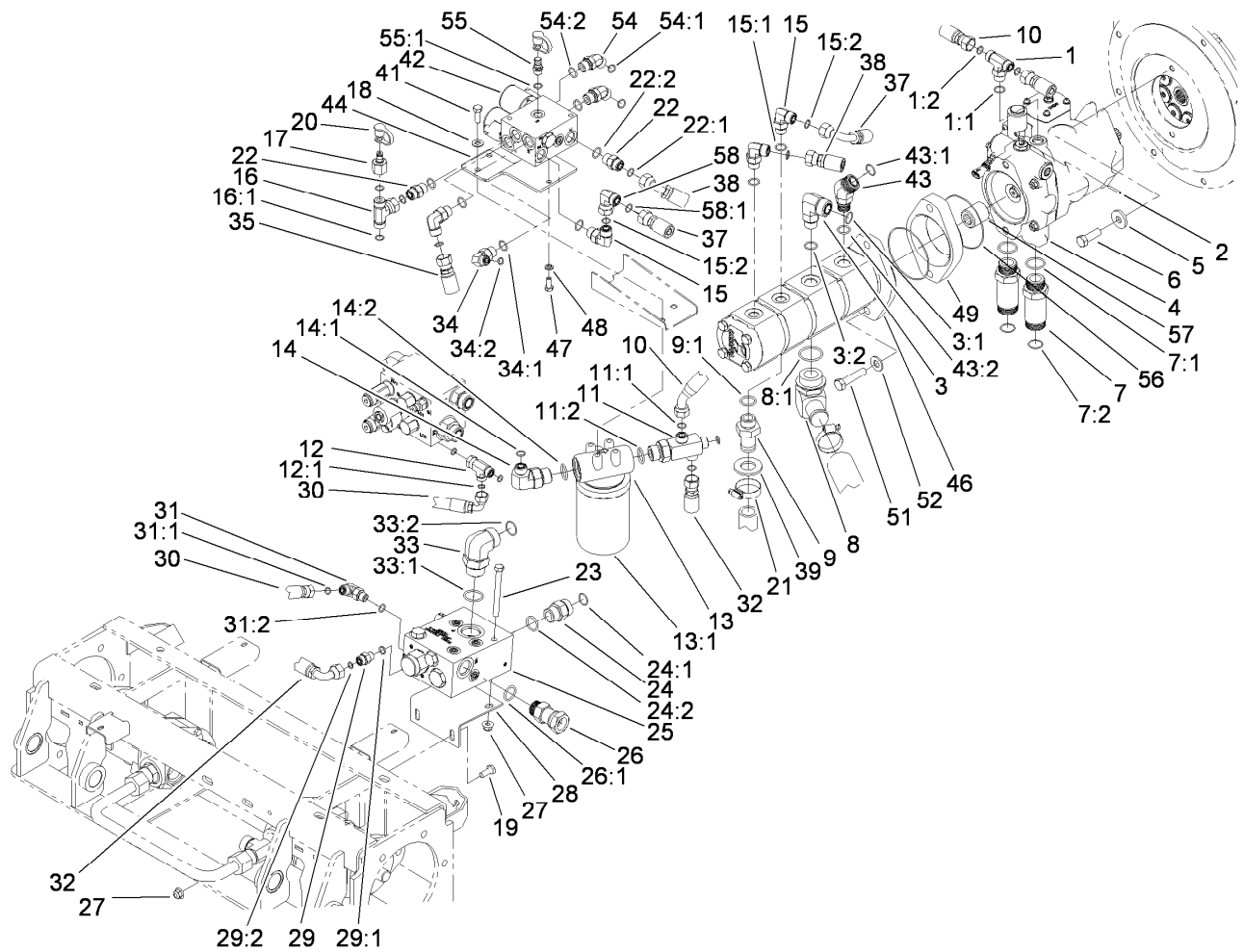
Ref.	Part Number	Qty.	Description	Ref.	Part Number	Qty.	Description
1	104-8334	1	Petcock	22:2	340-65	1	O-Ring
1:1	237-42	1	O-Ring	23	105-7927	1	Hose-HYD
2	114-9773	1	Reservoir-HYD	24	340-109	1	Fitting-Tee
3	93-5273	2	Strap-Felt	24:1	237-79	1	O-Ring
4	104-0794	1	Strap	24:2	237-30	2	O-Ring
5	46-6560	1	Bushing	25	100-4887	1	Fitting-Elbow, 90
6	2412-36	2	Clamp-Hose	25:1	237-42	1	O-Ring
7	104-0790	2	Bushing	26	340-4	1	Fitting-Straight
8	46-6550	1	Fitting-Elbow, 90 DEG	26:1	237-30	1	O-Ring
9	104-0791	2	Pipe-Stand	26:2	237-79	1	O-Ring
10	115-8471	1	Hose ASM	27	114-8129	1	HYD Filter Manifold ASM
11	61-2790	1	Filter-Screen	28	92-7526	1	Fitting-HYD 90 Spcl
12	105-2812	1	Dipstick	28:1	237-101	1	O-Ring
13	94-8166	1	O-Ring	29	115-8454	1	Hose-Filter
14	93-7498	1	Plug-Plastic	30	3274-51	3	Screw-HSH
15	100-5528	1	Hose-Suction	31	3296-42	3	Nut-Lock, NI
16	104-7546	1	Tank Strainer ASM	32	321-4	1	Screw-HH
16:1	340-136	1	O-Ring	33	2412-111	2	Clamp-Hose, W/Liner
17	354-79	1	Cap-Dust	34	110-6151	1	Hose
18	86-5480	1	Nipple-Test	35	2412-108	1	Clamp-Worm
19	323-5	3	Screw-HH	36	32128-33	1	Nut-HF
20	340-97	1	Fitting-Elbow, 90 DEG	37	94-2621	1	Element-Filter
20:1	237-22	1	O-Ring	38	114-9783	1	Strap
20:2	237-78	1	O-Ring	39	340-98	1	Fitting-Elbow, 90 DEG
21	3256-24	3	Washer-Flat	39:1	237-79	1	O-Ring
22	104-3509	1	Fitting-HYD, 45 DEG	39:2	237-30	1	O-Ring
22:1	237-146	1	O-Ring				



Hydraulic Filter Manifold Assembly No. 114-8129

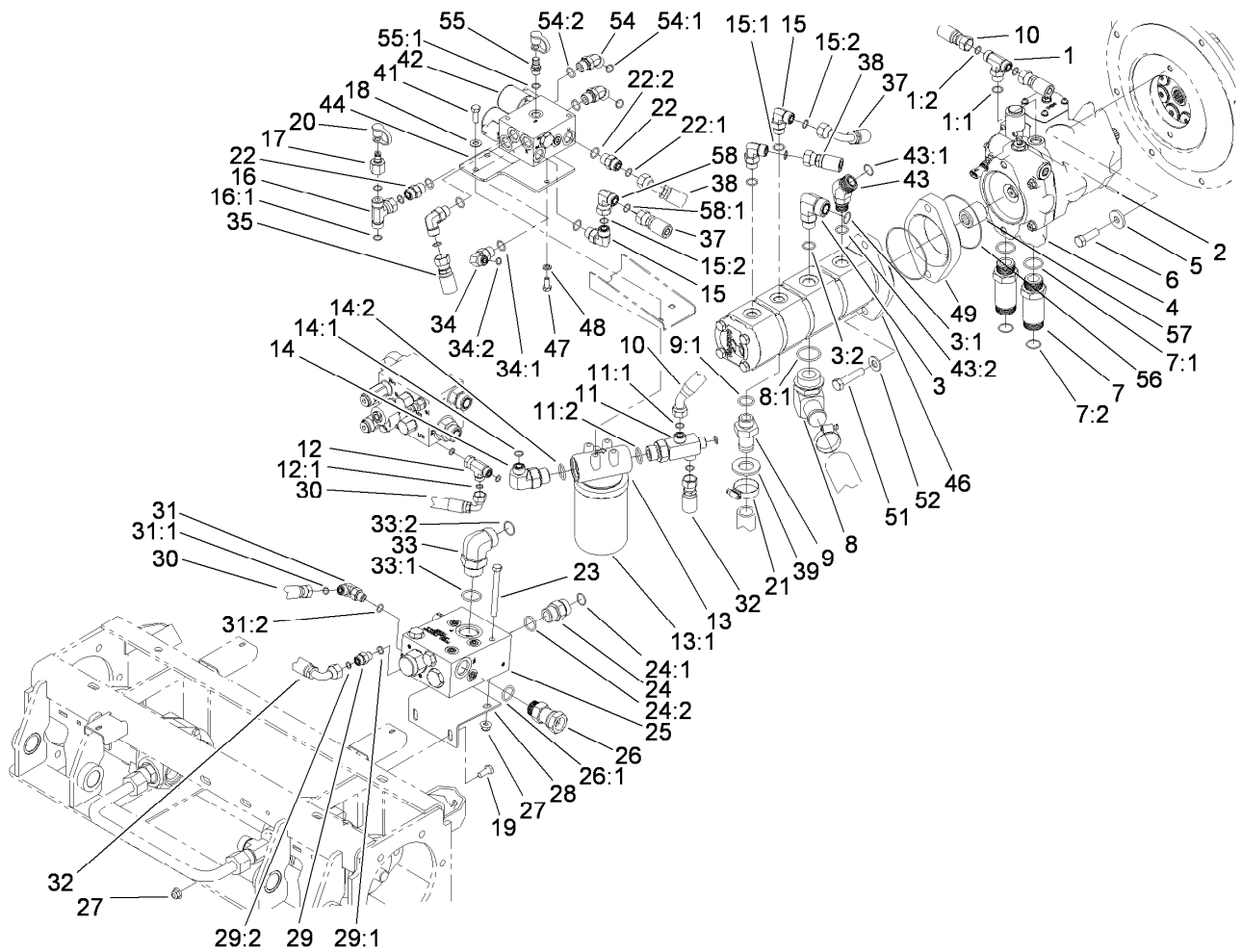
<i>Ref.</i>	<i>Part Number</i>	<i>Qty.</i>	<i>Description</i>
2		2	Plug ●
3		3	Plug ●
4	110-0468	1	Valve-Check, 5 PSI
4:1	110-0470	1	Seal Kit
5	110-0467	1	Valve-Check, 40 PSI
5:1	110-0470	1	Seal Kit
6	115-4140	1	Valve-Check
6:1	105-9159	1	Seal Kit
7		1	Filter Nipple ●

● Not serviced separately



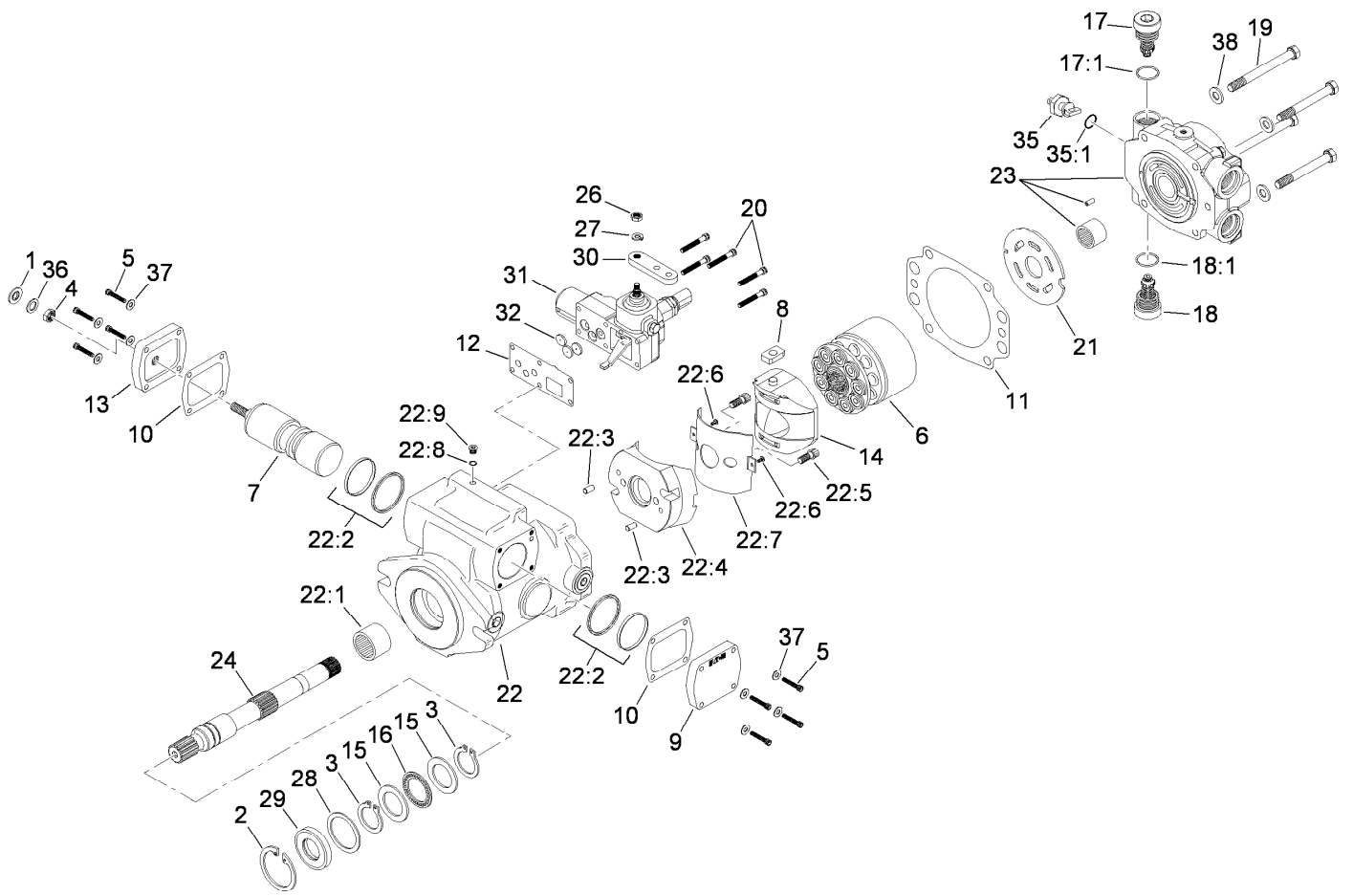
Pump Installation and Filter Assembly

Ref.	Part Number	Qty.	Description	Ref.	Part Number	Qty.	Description
1	340-157	1	Fitting-HYD, Tee	14:2	237-81	1	O-Ring
1:1	237-79	1	O-Ring	15	340-98	4	Fitting-Elbow, 90 DEG
1:2	237-30	2	O-Ring	15:1	237-79	1	O-Ring
2	32121-77	1	Pin-Roll	15:2	237-30	1	O-Ring
3	340-16	1	Fitting-HYD, 90 DEG	16	93-6810	1	Fitting-Tee
3:1	237-80	1	O-Ring	16:1	237-30	2	O-Ring
3:2	237-58	1	O-Ring	17	100-5616	1	Fitting
4	114-9769	1	Piston Pump ASM	18	3256-24	2	Washer-Flat
5	110-6147	2	Washer-Flat	19	323-5	2	Screw-HH
6	115-8487	2	Screw-HH	20	354-79	2	Cap-Dust
7	100-5565	2	Fitting-STR	21	2412-111	2	Clamp-Hose, W/Liner
7:1	237-146	1	O-Ring	22	340-4	2	Fitting-Straight
7:2	340-65	1	O-Ring	22:1	237-30	1	O-Ring
8	92-7526	1	Fitting-HYD 90 Spcl	22:2	237-79	1	O-Ring
8:1	237-101	1	O-Ring	23	323-42	1	Screw-HH
9	99-3017	1	Fitting	24	340-9	1	Fitting-STR
9:1	237-81	1	O-Ring	24:1	237-58	1	O-Ring
10	100-5521	1	Hose ASM	24:2	237-81	1	O-Ring
11	106-4318	1	Fitting	25	112-9124	1	Traction Manifold ASM
11:1	237-30	3	O-Ring	26	106-2009	1	Fitting-HYD, Swivel
11:2	237-81	1	O-Ring	26:1	237-81	1	O-Ring
12	340-115	1	Fitting-Tee	27	104-8301	3	Nut-HF, NI
12:1	237-22	2	O-Ring	28	105-3232-03	1	Bracket-Valve
13	93-2242	1	Oil Filter ASM	29	340-2	1	Fitting-Straight
13:1	75-1310	1	Filter-HYD	29:1	237-22	1	O-Ring
14	340-131	1	Fitting-HYD, 90 DEG	29:2	237-42	1	O-Ring
14:1	237-30	1	O-Ring	30	66-8490	1	Hose-HYD



Pump Installation and Filter Assembly (continued)

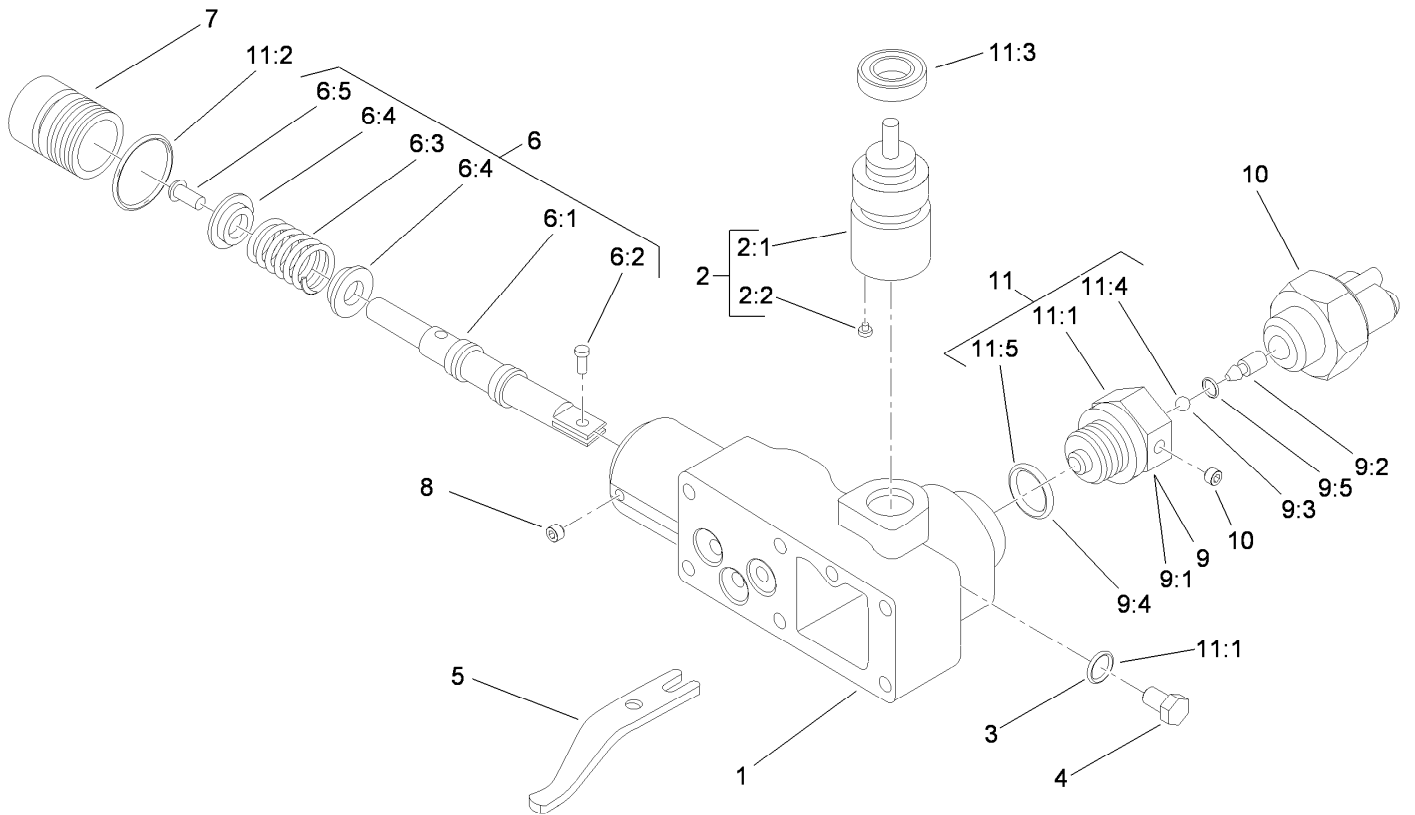
Ref.	Part Number	Qty.	Description	Ref.	Part Number	Qty.	Description
31	340-77	1	Fitting-Elbow, 90 DEG	43:2	237-80	1	O-Ring
31:1	237-22	1	O-Ring	44	114-9784-03	1	Mount-Manifold
31:2	237-42	1	O-Ring	46	114-9770	1	Pump ASM
32	110-6106	1	HYD Hose ASM	47	322-3	2	Screw-HH
33	340-129	1	Fitting-Elbow, 90 DEG	48	3253-4	2	Washer-Lock
33:1	237-146	1	O-Ring	49	115-3757	1	Spacer-Pump
33:2	340-65	1	O-Ring	51	115-8488	2	Screw-HH
34	340-18	1	Fitting-HYD, 90 DEG	52	87-7270	2	Washer-Thrust
34:1	237-79	1	O-Ring	54	340-101	2	Fitting-HYD, 45 DEG
34:2	237-22	1	O-Ring	54:1	237-30	1	O-Ring
35	114-9772	1	Hose ASM	54:2	237-79	1	O-Ring
37	105-3985	1	Hose-HYD	55	59-7410	1	Fitting-Diagnostic
38	95-3737	1	HYD Hose ASM	55:1	237-42	1	O-Ring
39	3256-62	1	Washer-Flat	56	115-3009	2	O-Ring
41	323-6	2	Screw-HH	57	115-3011	1	Coupler-Pump
42	114-3847	1	Fan Drive Manifold ASM	58	94-6031	1	Elbow-90
43	115-3768	1	Fitting-HYD, 45 DEG	58:1	237-30	1	O-Ring
43:1	237-58	1	O-Ring				



Piston Pump Assembly No. 114-9769

Ref.	Part Number	Qty.	Description	Ref.	Part Number	Qty.	Description
1	3220-3	1	Nut-HJ	22:1		1	Bearing ●
2	60-6260	1	Ring	22:2		2	Seal ●
3	76-7000	2	Ring-Retaining	22:3		2	Pin-Dowel ●
4	94-3027	1	Washer-Seal	22:4		1	Cradle ASM ●
5	93-6337	8	Screw	22:5		2	Screw ●
6	99-8701	1	Rotating Kit	22:6		2	Screw ●
7	105-4572	1	Servo Piston ASM	22:7		1	Bushing ●
8	94-3032	1	Follower-Piston	22:8		1	O-Ring ●
9	94-3033	1	Plate-Cover	22:9		1	Plug ●
10	93-6339	2	Gasket	23	115-3007	1	Endcover Sub-Assembly
11	105-2900	1	Gasket-Housing	24	115-3008	1	Shaft-Drive
12	105-2901	1	Gasket-Housing, Control	26	93-6327	1	Nut
13	105-9853	1	Plate-Cover	27	3253-3	1	Washer-Lock
14	94-3026	1	Camplate ASM	28	60-6240	1	Washer
15	76-6950	2	Race-Thrust	29	105-3331	1	Seal-Shaft
16	76-6960	1	Bearing-Thrust	30	105-2862	1	Arm-Control
17	105-2857	1	Valve-Relief	31	115-4446	1	Control-Servo, Manual
17:1		1	O-Ring ●	32	105-2863	3	Orifice
18	105-2858	1	Valve-Relief	35	105-2864	1	Valve-Bypass
18:1		1	O-Ring ●	35:1		1	O-Ring ●
19	323-45	4	Screw-HH	36	94-3030	1	Washer
20	93-6324	6	Screw	37	93-6336	8	Washer
21	99-8704	1	Plate-Valve	38	105-9762	4	Washer
22	105-2859	1	Housing ASM				

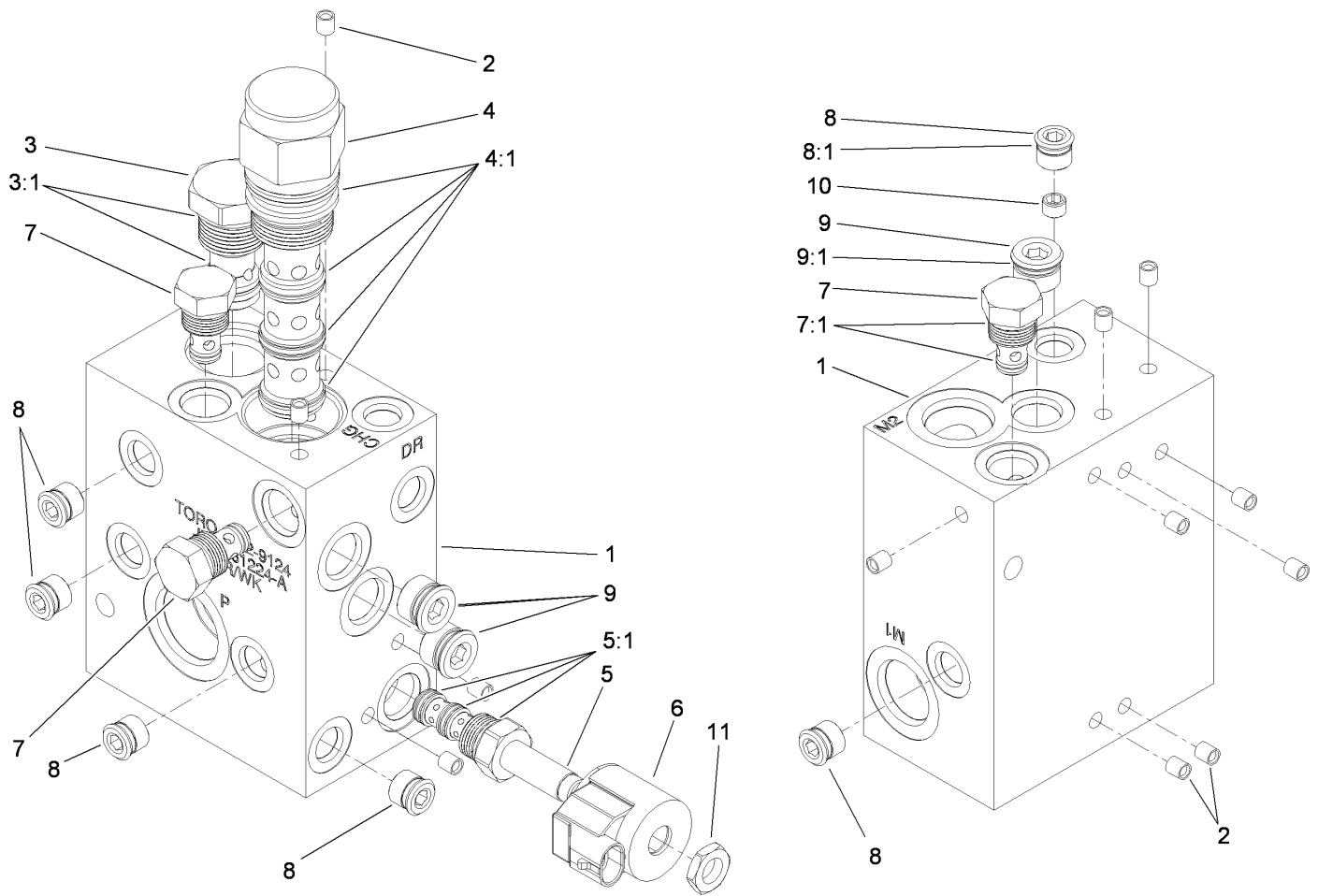
● Not serviced separately



Control Assembly No. 115-4446

Ref.	Part Number	Qty.	Description	Ref.	Part Number	Qty.	Description
1		1	Housing-Control ●	8		2	Screw-Set ●
2	108-7099	1	Input Control Shaft ASM	9	108-8003	1	Adaptor ASM
2:1		1	Shaft ●	9:1		1	Adaptor-Lockout, Neutral ●
2:2		1	Pin ●	9:2		1	Pin ●
3		1	O-Ring ●	9:3		1	Ball ●
4		1	Plug ●	9:4		1	O-Ring ●
5		1	Link-Feedback ●	9:5		1	O-Ring ●
6	108-7098	1	Valve Spool ASM	10	115-3795	1	Switch-Neutral
6:1		1	Valve-Spool ●	11	94-3044	1	Seal Kit
6:2		1	Pin-Dowel ●	11:1	117-8979	1	Seal-Shaft
6:3		1	Spring ●	11:2	105-2901	1	Gasket-Housing, Control
6:4		2	Retainer ●	11:3		1	O-Ring ●
6:5		1	Screw ●	11:4		1	O-Ring ●
7		1	Plug ●	11:5		1	Seal-Wiper ●

● Not serviced separately

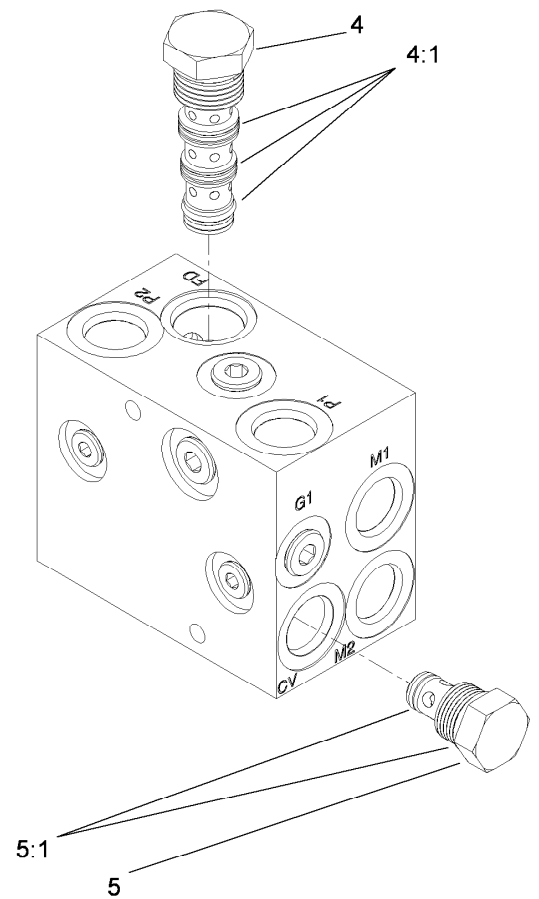
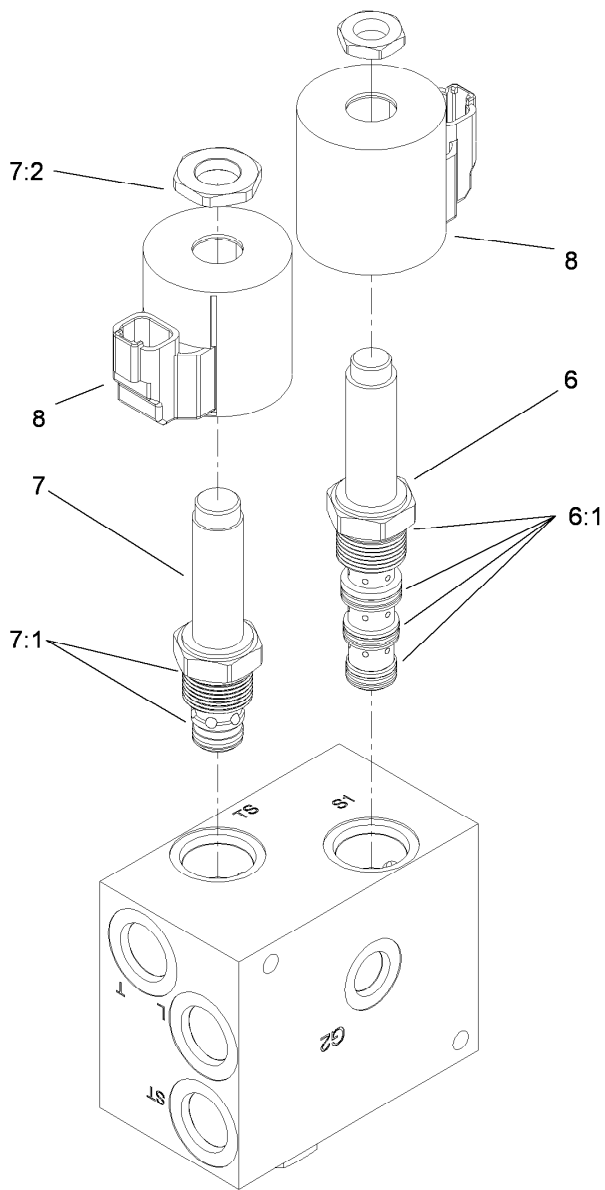


Traction Manifold Assembly No. 112-9124

Ref.	Part Number	Qty.	Description
1		1	Manifold ●
2		13	Plug ●
3	106-1997	1	Valve-Divider, Flow ■
3:1	110-6111	1	Seal Kit
4	106-1996	1	Valve-Directional, Piloted
4:1	106-6775	1	Seal Kit
5	106-1995	1	Valve-3 Way
5:1	110-8773	1	Seal Kit
6	105-9333	1	Coil-12Vdc
7	105-9321	3	Check Valve ASM
7:1	105-9156	1	Seal Kit
8	353-989	6	Plug-Hex, Hollow
8:1	237-42	1	O-Ring
9	353-988	3	Plug-Hex
9:1	237-79	1	O-Ring
10	105-9326	1	Orifice
11	105-9332	1	Nut-E Coil

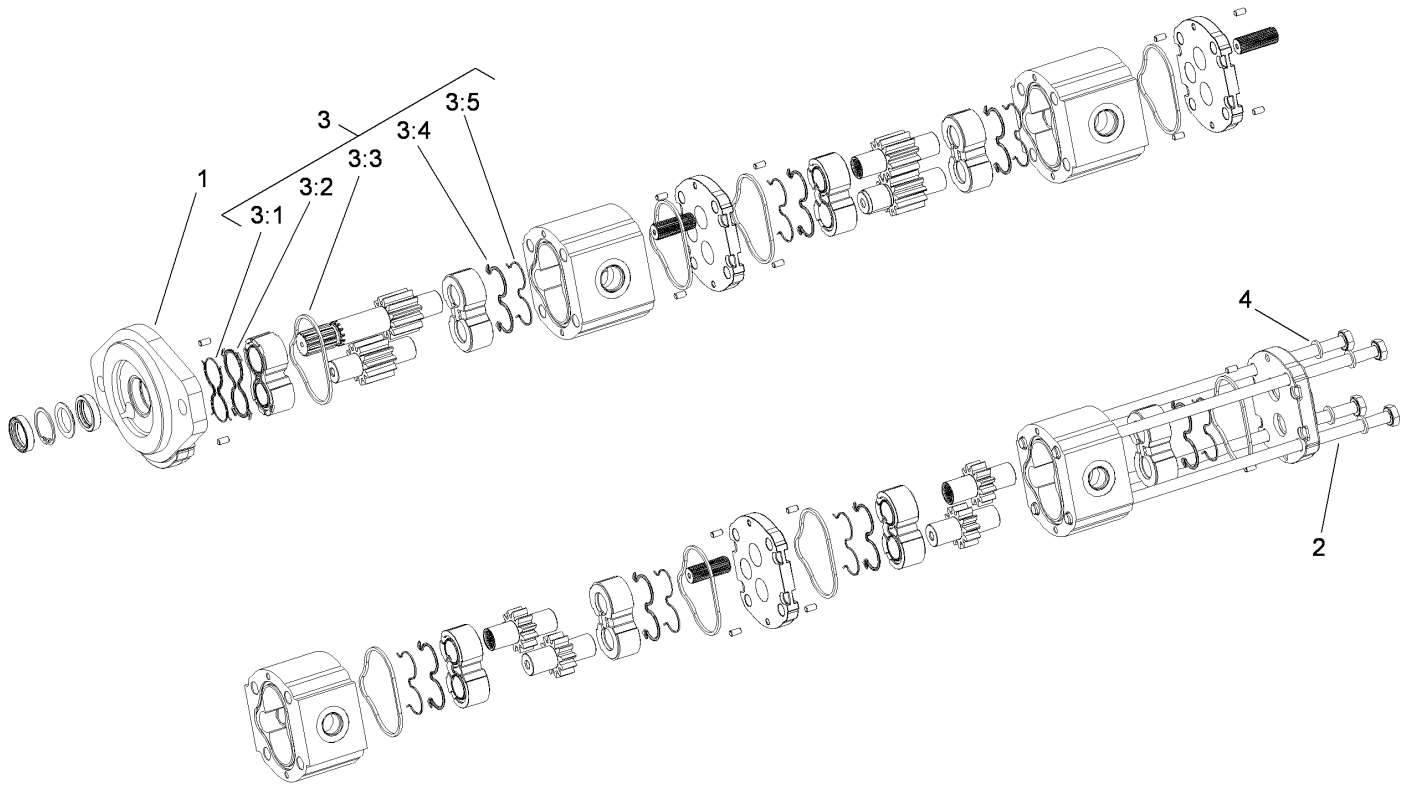
● Not serviced separately

■ Used in Groundsmaster 4000 Series



Fan Drive Manifold Assembly No. 114-3847

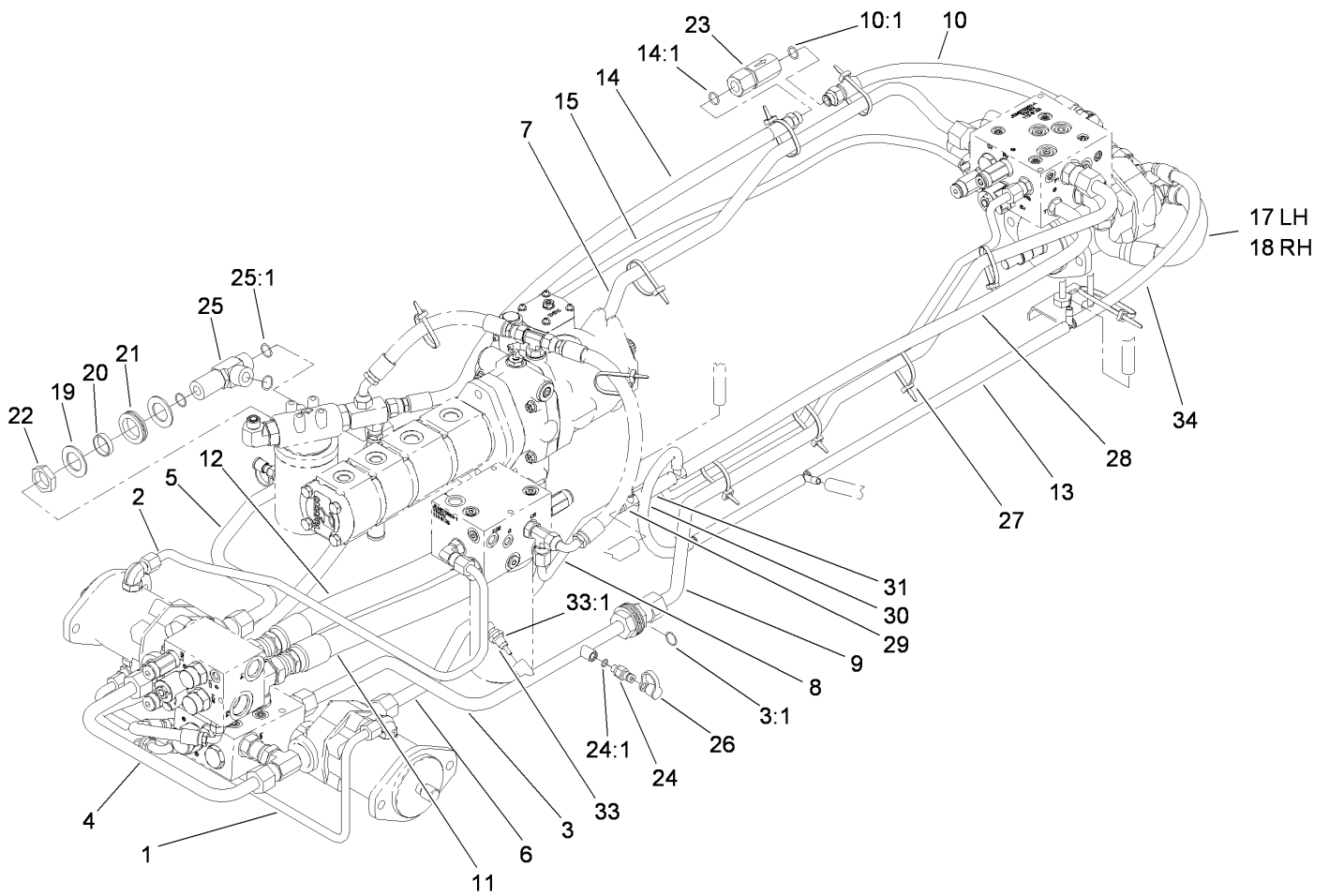
Ref.	Part Number	Qty.	Description
4	115-3024	1	Valve-Flow Divider/Combiner
4:1	115-3025	1	Seal Kit
5	105-9321	1	Check Valve ASM
5:1	105-9156	1	Seal Kit
6	115-3023	1	Solenoid Valve ASM
6:1	110-8908	1	Spool Valve Seal Kit
7	115-3022	1	Relief-Proportional
7:1	110-6316	1	Seal Kit
7:2	119-7715	1	Nut-Coil
8	110-6344	2	Coil-12V, DC



Pump Assembly No. 114-9770

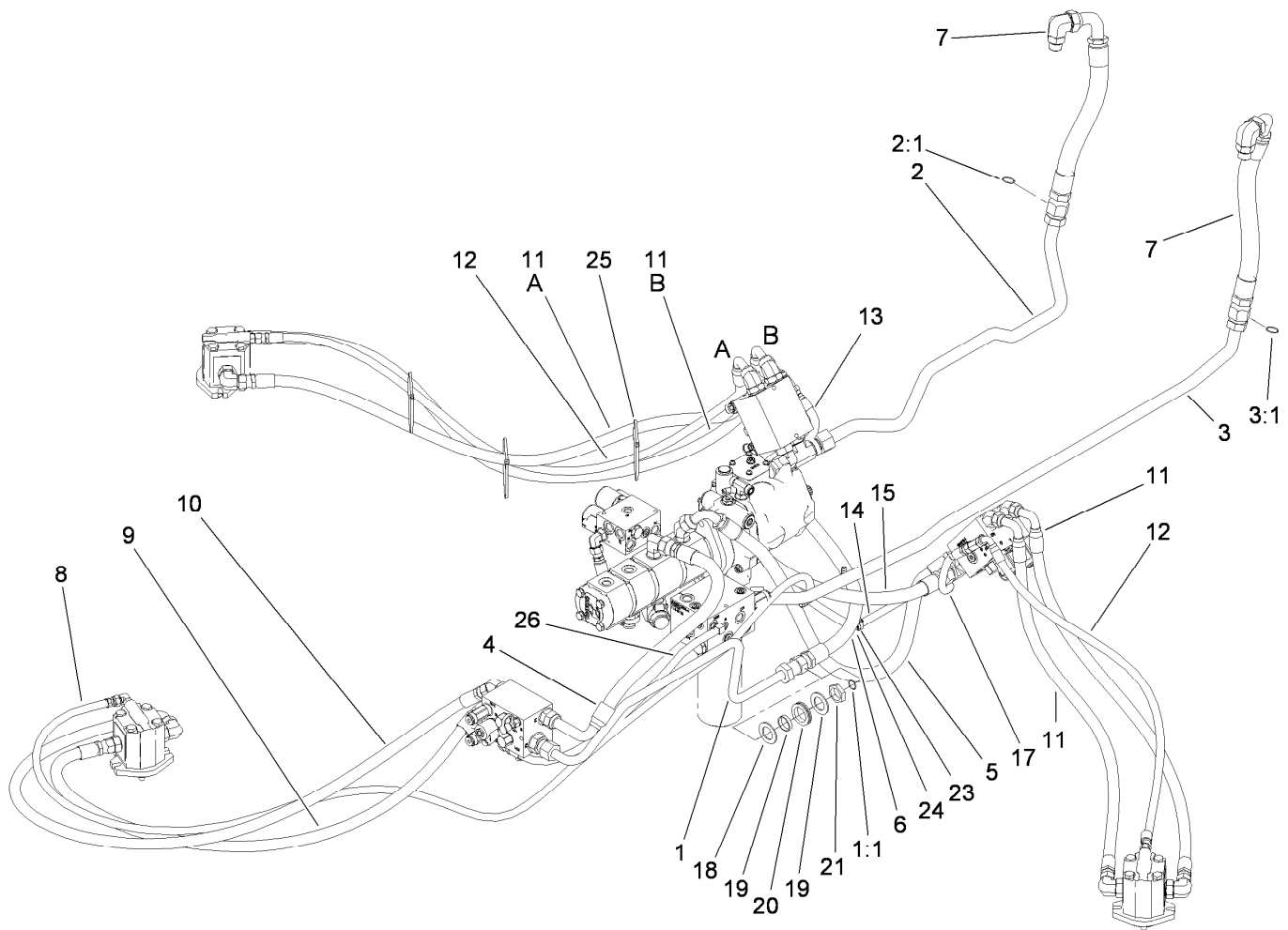
<i>Ref.</i>	<i>Part Number</i>	<i>Qty.</i>	<i>Description</i>
1	115-3774	1	Cover-Front
2	115-3775	4	Bolt
3	115-3776	1	Seal Kit
3:1		1	Seal ●
3:2		1	Seal ●
3:3		8	Seal ●
3:4		7	Seal ●
3:5		7	Seal ●
4	115-9138	4	Washer

● Not serviced separately



Traction Hydraulic Plumbing Assembly

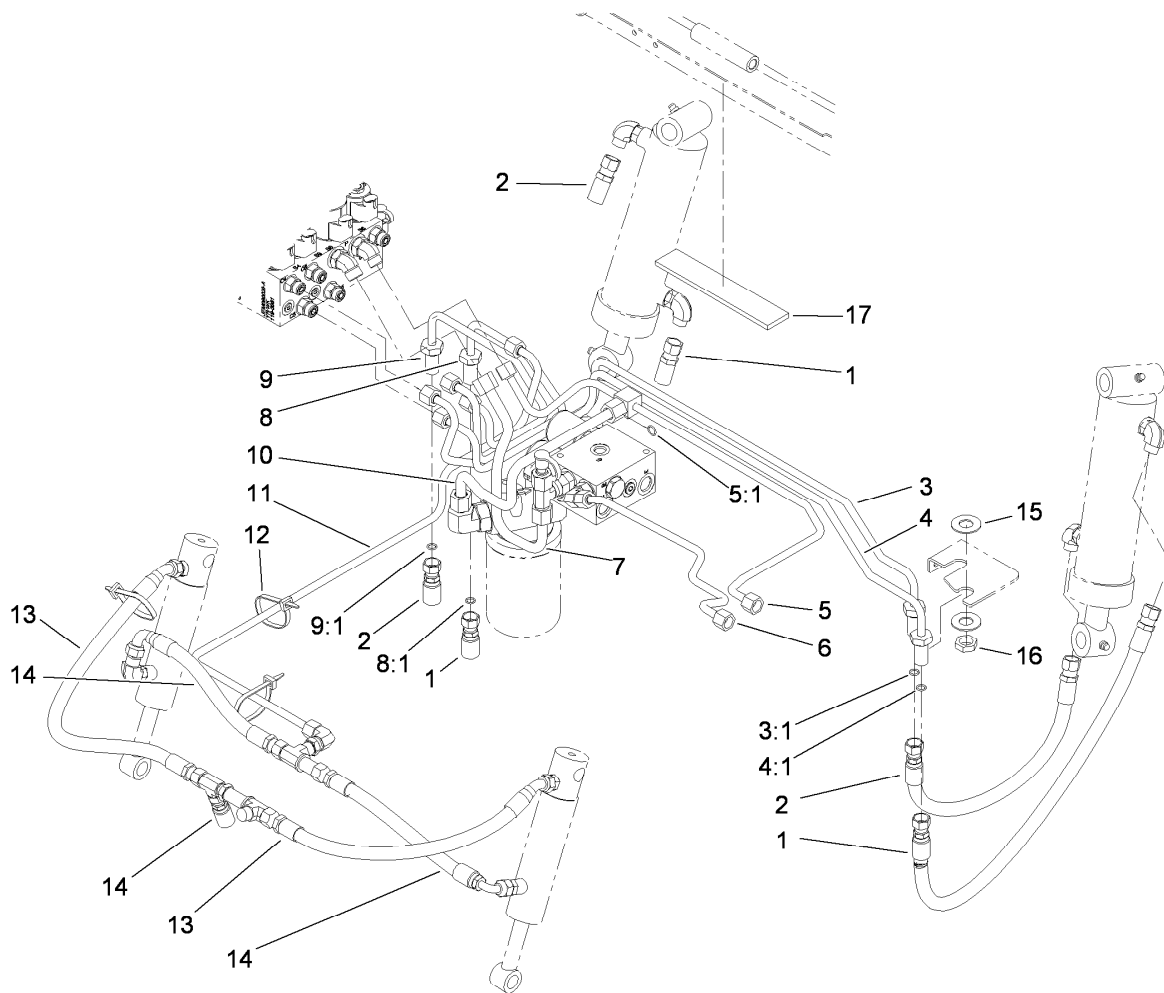
Ref.	Part Number	Qty.	Description	Ref.	Part Number	Qty.	Description
1	100-3095	1	Tube-HYD	17	100-5579	1	Hose ASM
2	115-8451	1	Tube-HYD	18	104-3502	1	Hose ASM
3	115-8464	1	HYD Tube ASM	19	69-8910	4	Washer
3:1	237-58	1	O-Ring	20	69-8900	2	Spacer
4	100-5574	1	Tube-HYD, Motor Front	21	240-7	2	Grommet-Rubber
5	104-3581	1	Tube-HYD, RH Motor	22	340-126	2	Nut-Bulkhead
6	115-8450	1	Tube-HYD, Motor LH	23	100-5600	1	Valve-Check
7	100-5571	1	Tube-HYD, RH Rear	24	354-77	2	Fitting-Quick
			Traction	24:1	237-78	1	O-Ring
8	115-8453	1	Tube-HYD, Charge LH	25	104-3558	1	Fitting-Bulkhead
9	115-3769	1	Tube-HYD, Traction LH	25:1	237-58	3	O-Ring
			Rear	26	354-79	2	Cap-Dust
10	100-5617	1	Hose ASM	27	3290-378	13	Tie-Cable
10:1	237-79	1	O-Ring	28	110-6153	1	Hose
11	115-8484	1	HYD Hose ASM	29	99-7371	2	Connector-Tee
12	115-8483	1	HYD Hose ASM	30	100-5607	1	Hose
13	115-8466	1	Hose	31	110-6190	1	Hose
14	104-2237	1	Hose ASM	33	110-8829	1	Sender-Temperature
14:1	237-79	1	O-Ring	33:1	237-42	1	O-Ring
15	100-5643	1	Hose ASM	34	115-8465	1	Hose ASM



Power-Take-Off Hydraulic Plumbing Assembly

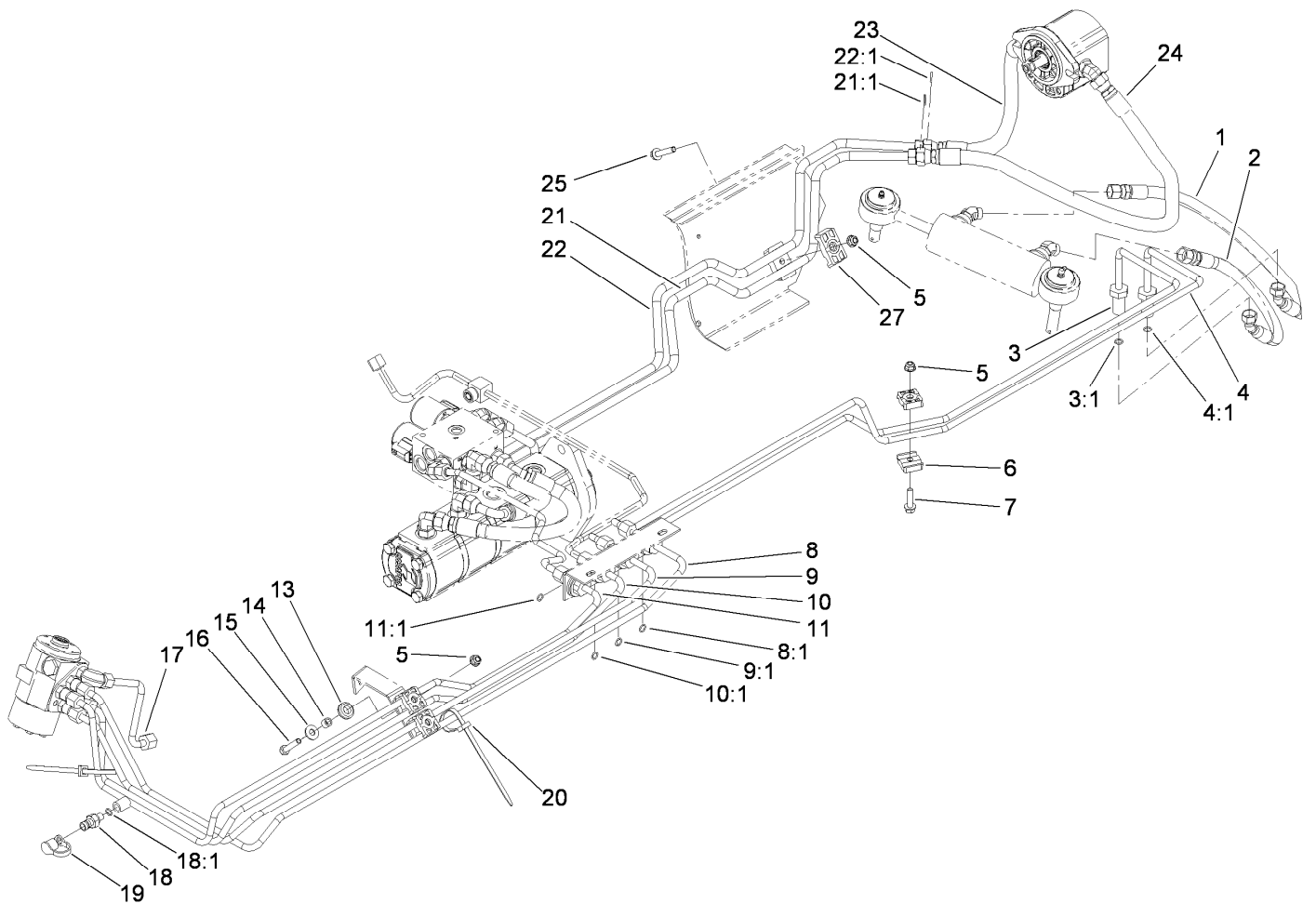
Ref.	Part Number	Qty.	Description
1	104-0795	1	Tube-HYD, Front PTO
1:1	237-58	1	O-Ring
2	104-0796	1	Tube-HYD, RH Cooler
2:1	340-65	1	O-Ring
3	115-8452	1	HYD Tube ASM
3:1	340-65	1	O-Ring
4	95-0961	1	Hose ASM
5	114-3837	1	Hose ASM
6	115-3772	1	Hose ASM
7	115-3771	2	Hose ASM
8	112-9126	1	Hose ASM
9	104-2261	1	Hose ASM
10	104-2260	1	Hose ASM
11	104-2263	4	Hose ASM

Ref.	Part Number	Qty.	Description
12	104-2265	2	Hose-HYD
13	100-5570	1	Hose ASM
14	100-5649	1	Hose
15	100-5645	1	Hose ASM
17	100-5641	1	Hose ASM
18	69-8910	2	Washer
19	69-8900	1	Spacer
20	240-7	1	Grommet-Rubber
21	340-126	1	Nut-Bulkhead
23	2412-36	13	Clamp-Hose
24	354-107	2	Fitting-HYD, Tee
25	3290-379	15	Tie-Cable
26	115-8476	1	Hose ASM



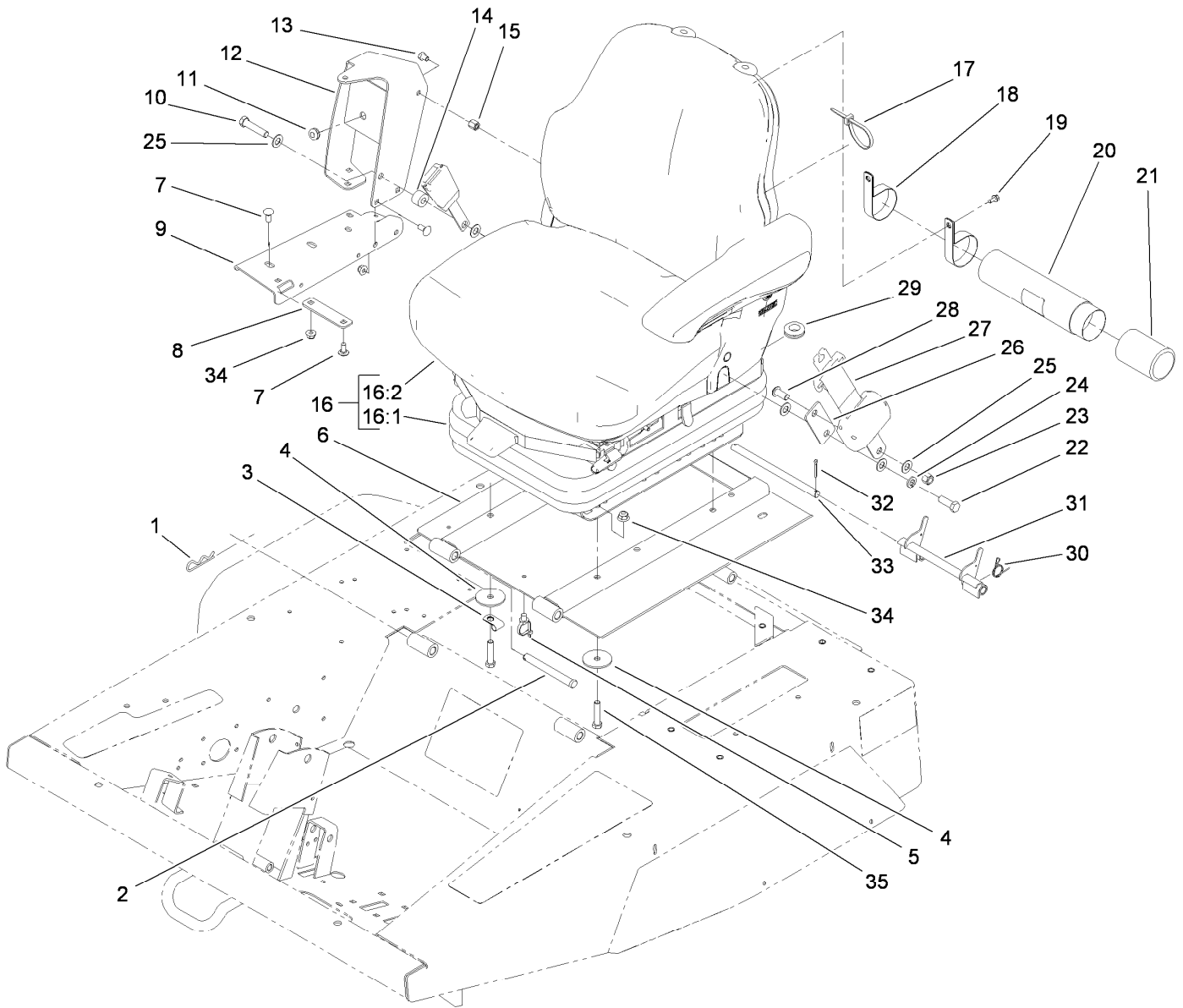
Lift Arm Hydraulic Assembly

<i>Ref.</i>	<i>Part Number</i>	<i>Qty.</i>	<i>Description</i>
1	100-5629	2	Hose ASM
2	100-5630	2	Hose ASM
3	117-5683	1	HYD Tube ASM
3:1	237-22	1	O-Ring
4	117-5682	1	HYD Tube ASM
4:1	237-22	1	O-Ring
5	117-5681	1	HYD Tube ASM
5:1	237-30	1	O-Ring
6	117-5688	1	Hydraulic Tube ASM
7	117-5680	1	HYD Tube ASM
8	117-5685	1	HYD Tube ASM
8:1	237-22	1	O-Ring
9	117-5686	1	HYD Tube ASM
9:1	237-22	1	O-Ring
10	117-5687	1	HYD Tube ASM
11	117-5684	1	Hydraulic Tube ASM
12	3290-378	5	Tie-Cable
13	92-7595	2	Hose-HYD
14	104-2234	3	Hose-HYD
15	69-8940	8	Washer
16	340-70	4	Nut-Lock
17	100-8524	1	Strip-Foam



Steering Hydraulic Assembly

Ref.	Part Number	Qty.	Description	Ref.	Part Number	Qty.	Description
1	92-7538	1	Hose ASM	11	100-3090	1	Tube-HYD, Pressure Steering
2	92-7539	1	Hose-HYD	11:1	237-22	1	O-Ring
3	100-5576	1	Tube-HYD, Steering, Rear, RH	13	93-5108	2	Grommet-Rubber
3:1	237-22	1	O-Ring	14	93-5109	2	Spacer
4	100-5575	1	Tube-HYD, Steering, Rear, LH	15	3256-71	2	Washer-Flat
4:1	237-22	1	O-Ring	16	322-8	2	Screw-HH
5	104-8300	4	Nut-HF, NI	17	100-5588	1	Tube-HYD (Steer And Drain)
6	56-7973	6	Clamp-Tube	18	354-77	1	Fitting-Quick
7	3234-36	1	Screw-HHF	18:1	237-78	1	O-Ring
8	100-3091	1	Tube-HYD, Steering, Front, LH	19	354-79	1	Cap-Dust
8:1	237-22	1	O-Ring	20	3290-378	2	Tie-Cable
9	100-3092	1	Tube-HYD, Steering, Front, RH	21	115-8481	1	HYD Tube ASM
9:1	237-22	1	O-Ring	21:1	237-30	1	O-Ring
10	100-3093	1	Tube-HYD (Beyond Power Steering)	22	115-8482	1	HYD Tube ASM
10:1	237-22	1	O-Ring	22:1	237-30	1	O-Ring
				23	117-5692	1	HYD Hose ASM
				24	106-9676	1	HYD Hose ASM
				25	94-5780	1	Screw-HWH
				27	56-7976	2	Clamp-Tube

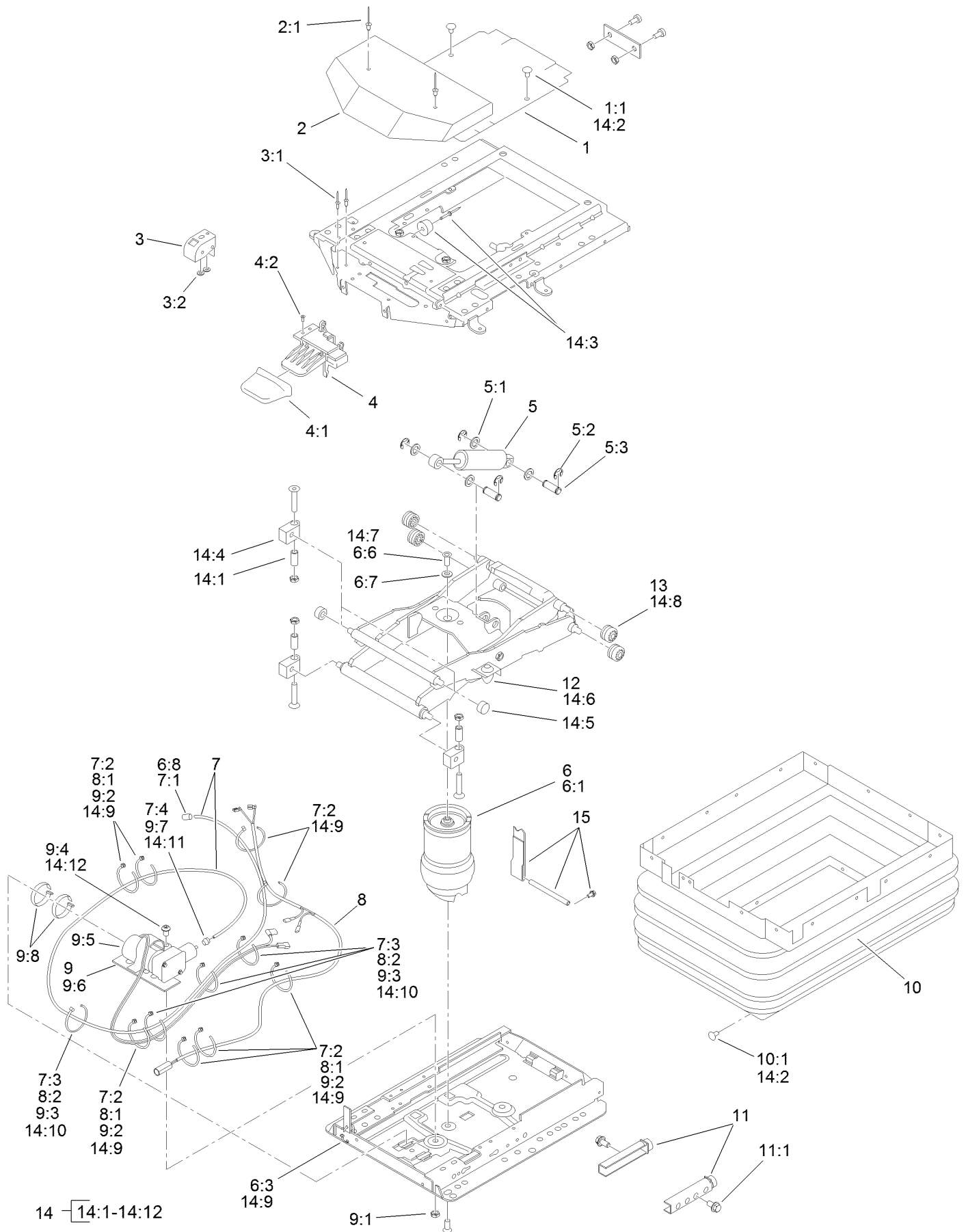


Seat Base and Seat Assembly

Ref.	Part Number	Qty.	Description	Ref.	Part Number	Qty.	Description
1	3290-355	2	Pin-Hair	17	3290-378	2	Tie-Cable
2	283-83	2	Pin-Clevis	18	2412-133	2	Clamp-R
3	2412-113	2	Clamp-R	19	32104-116	2	Screw-HWHTF
4	83-1040	4	Washer-Flat	20	104-7050	1	Tube-Manual
5	32180-030	1	Clip-Tie	21	104-7048	1	Cap-Housing
6	117-5727-03	1	Plate-Seat	22	3212-5	1	Screw-HH
7	3230-23	6	Bolt-CARR	23	3296-48	1	Nut-Hex
8	112-7449-03	1	Bracket-Support	24	3253-6	1	Washer-Lock
9	119-0000-03	1	Channel-Support	25	3256-25	5	Washer-Flat
10	3212-8	1	Screw-HH	26	108-1516	1	Mount-Belt, Seat
11	237-136	1	Grommet	27	110-0413	1	Seatbelt-Retractable
12	117-4798-03	1	Arm-Support	28	3274-105	1	Screw-HSBH
13	108-8646	1	Screw-HH, Lock	29	100-4866	1	Grommet
14	17-7190	1	Spacer-Finger	30	93-5367	1	Spring-Torsion
15	112-7405	1	Nut-Hex, Coupling	31	115-6696	1	Latch
16		1	Seat And Suspension ASM	32	3272-11	2	Pin-Cotter
16:1	108-1488	1	Seat Suspension ASM	33	93-5366	1	Shaft-Latch
16:2	117-5676	1	Premium Seat ASM	34	104-8301	4	Nut-HF, NI
			● Not serviced separately	35	323-9	4	Screw-HH

● Not serviced separately

Air Ride Seat Suspension Assembly No. 108-1488

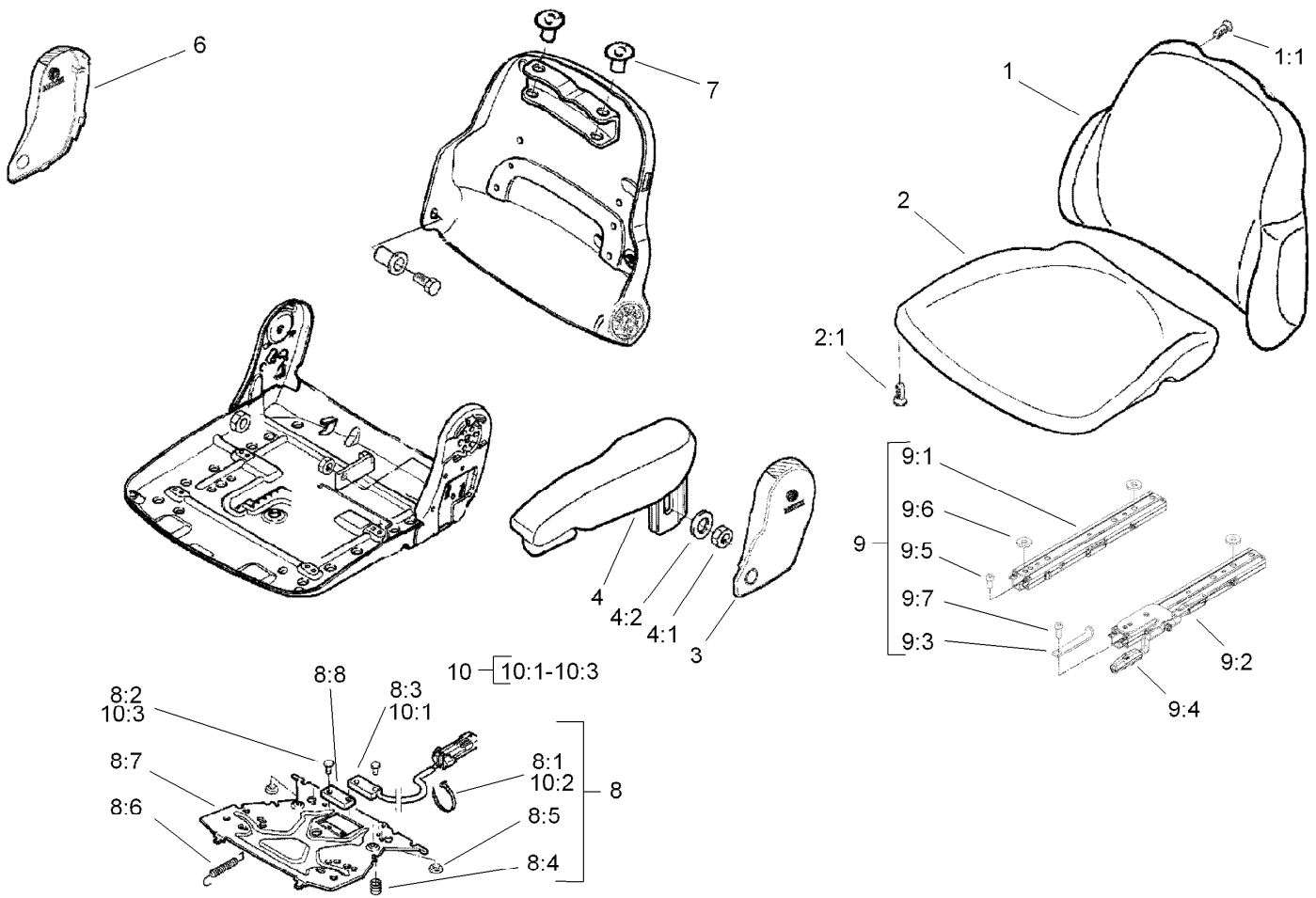


Air Ride Seat Suspension Assembly No. 108-1488 (continued)

<i>Ref.</i>	<i>Part Number</i>	<i>Qty.</i>	<i>Description</i>	<i>Ref.</i>	<i>Part Number</i>	<i>Qty.</i>	<i>Description</i>
1	108-8026	1	Cover ASM	9:1		1	Nut ■
1:1	39-5710	2	Plug-Plastic	9:2		5	Tie-Wire ■
2	108-8027	1	Cover	9:3		4	Tie-Wire ■
2:1		2	Rivet ■	9:4		1	Screw ■
3	108-8028	1	Level Indicator Kit	9:5		1	Compressor ■
3:1		2	Rivet ■	9:6		1	Plate-Mounting ■
3:2		2	Washer ■	9:7		1	Nipple-Hose ■
4	108-8029	1	Valve-Control, Air	9:8		2	Clamp ■
4:1		1	Handle ■	10	108-8035	1	Bellows ASM
4:2		3	Screw ■	10:1	39-5710	23	Plug-Plastic
5	108-8030	1	Shock Absorber Kit	11	108-8036	1	Stop Kit
5:1		4	Washer ■	11:1		2	Screw ■
5:2		4	C-Clip ■	12	107-1213	2	Bumper Set
5:3		2	Pin ■	13	108-8037	4	Roller
6	108-8031	1	Air Spring Kit	14	108-8038	1	Wear Parts Kit ●
6:1		1	Air Spring ■	14:1		4	Spacer ■
6:3		2	Cable Tie ■	14:2	39-5710	2	Plug-Plastic
6:6		2	Screw ■	14:3		1	Bumper ■
6:7		1	Washer ■	14:4		4	Support-Housing ■
6:8		1	Nipple-Hose ■	14:5		2	Roller ■
7	108-8032	1	Air Tube ASM	14:6	107-1213	2	Bumper Set
7:1		1	Nipple-Hose ■	14:7		2	Screw ■
7:2		7	Tie-Wire ■	14:8	108-8037	4	Roller
7:3		4	Tie-Wire ■	14:9		9	Tie-Wire ■
7:4		1	Nipple-Hose ■	14:10		4	Tie-Wire ■
8	108-8033	1	Connecting Cable ASM	14:11		1	Nipple-Hose ■
8:1		8	Tie-Wire ■	14:12		1	Screw ■
8:2		4	Tie-Wire ■	15	119-2161	1	Tether Kit
9	108-8034	1	Compressor Kit				

● Not illustrated

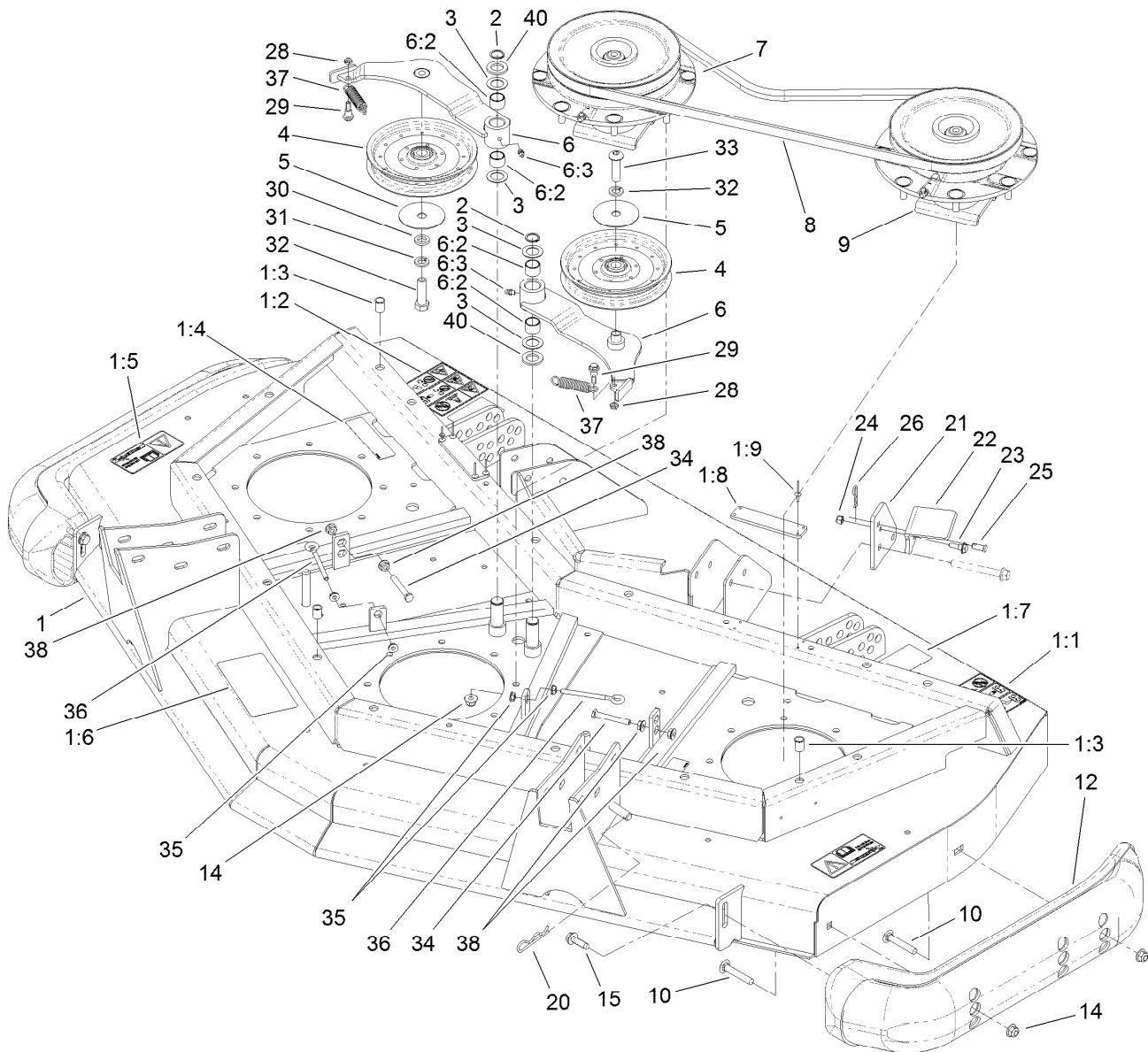
■ Not serviced separately



Vinyl Premium Seat Assembly No. 117-5676

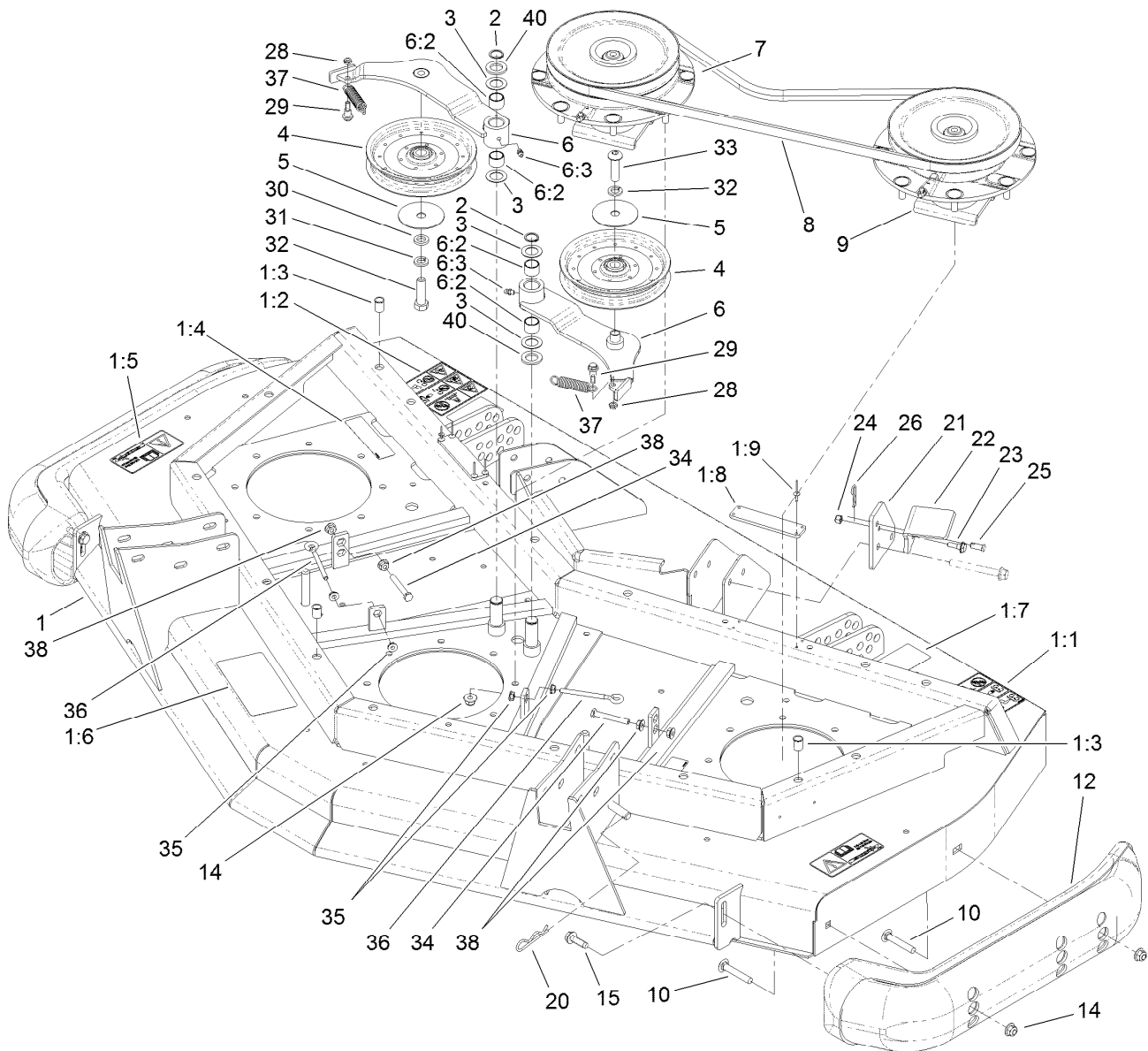
Ref.	Part Number	Qty.	Description	Ref.	Part Number	Qty.	Description
1	108-8016	1	Backrest Cushion ASM	8:6		1	Spring-Extension ●
1:1	119-7742	4	Screw-Cushion	8:7		1	Plate-Mounting ●
2	108-8017	1	Seat Cushion ASM	8:8		1	Magnet ●
2:1	119-7742	3	Screw-Cushion	9	108-8025	1	Adjustment Rail Set
3	108-8018	1	Cover-Armrest	9:1		1	Rail-Adjustment, RH ●
4	108-8019	1	LH Armrest ASM	9:2		1	Rail-Adjustment, LH ●
4:1	82-9650	1	Nut	9:3		1	Stop-Rail ●
4:2	107-1198	1	Washer	9:4		1	Handle ●
6	108-8021	1	Cover-Armrest	9:5		3	Screw ●
7	108-8022	2	Cover-Black	9:6		3	Washer ●
8	108-8024	1	Switch Kit	9:7		1	Screw ●
8:1		3	Wire Tie ●	10	110-6189	1	Switch Kit
8:2		4	Rivet ●	10:1		1	Switch ●
8:3		1	Sensor-Seat Switch ●	10:2		3	Wire Tie ●
8:4		2	Spring-Compression ●	10:3		2	Rivet ●
8:5		2	Bumper-Pressure Plate ●				

● Not serviced separately



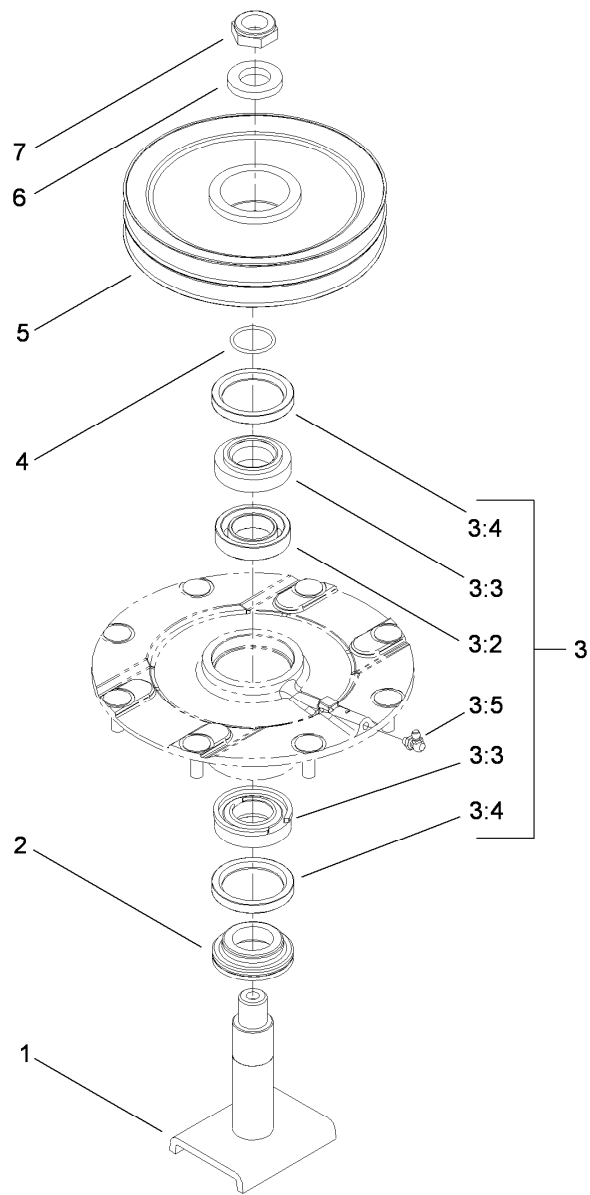
Front Deck, Idler and Skid Assembly

Ref.	Part Number	Qty.	Description	Ref.	Part Number	Qty.	Description
1	120-4052	1	Front Deck ASM	12	112-1479	2	Skid-Bumper, Deck
1:1	120-6604	2	Decal-Danger	14	104-8301	24	Nut-HF, NI
1:2	100-5624	1	Decal-HOC, RH	15	9136144	2	Screw-HWHTF
1:3	32148-9	3	Nut-Clinch	20	3290-355	1	Pin-Hair
1:4	100-6578	4	Decal-Danger	21	106-2033-01	1	Plate-Latch
1:5	93-7818	2	Decal-Torque, Blade Bolt	22	106-2032-01	1	Latch-Deck
1:6	100-5622	1	Decal-HOC	23	11-9030	1	Screw-Shoulder
1:7	104-3578	1	Decal-HOC, LH	24	3296-42	1	Nut-Lock, NI
1:8	105-0786	2	Pad-Plastic	25	283-62	1	Pin-Clevis
1:9	3269-8	8	Rivet-Blind	26	3290-467	1	Pin-Hair
2	32120-72	2	Ring-Snap	28	3296-56	2	Nut-Lock, NI
3	3-6498	4	Washer-Thrust	29	104-0858	2	Bolt-Shoulder
4	110-9596	2	Pulley-Idler	30	9202424	1	Spacer
5	100-3102	2	Washer-Flat	31	3253-7	2	Washer-Lock
6	110-6128	2	Idler Arm ASM	32	325-7	1	Screw-HH
6:2	256-76	2	Bushing	33	108-1993	1	Screw-HSBH
6:3	302-5	1	Fitting-Grease	34	9114524	2	Bolt-TAP, HH
7	119-4548	1	Double Driven Spindle ASM	35	32128-14	4	Nut-HF
8	108-8076	2	V-Belt, Deck	36	68-0090	2	Screw-Adjusting
9	119-4549	1	High-Driven Spindle ASM	37	107938	2	Spring-Extension
10	3231-33	4	Screw-CARR				



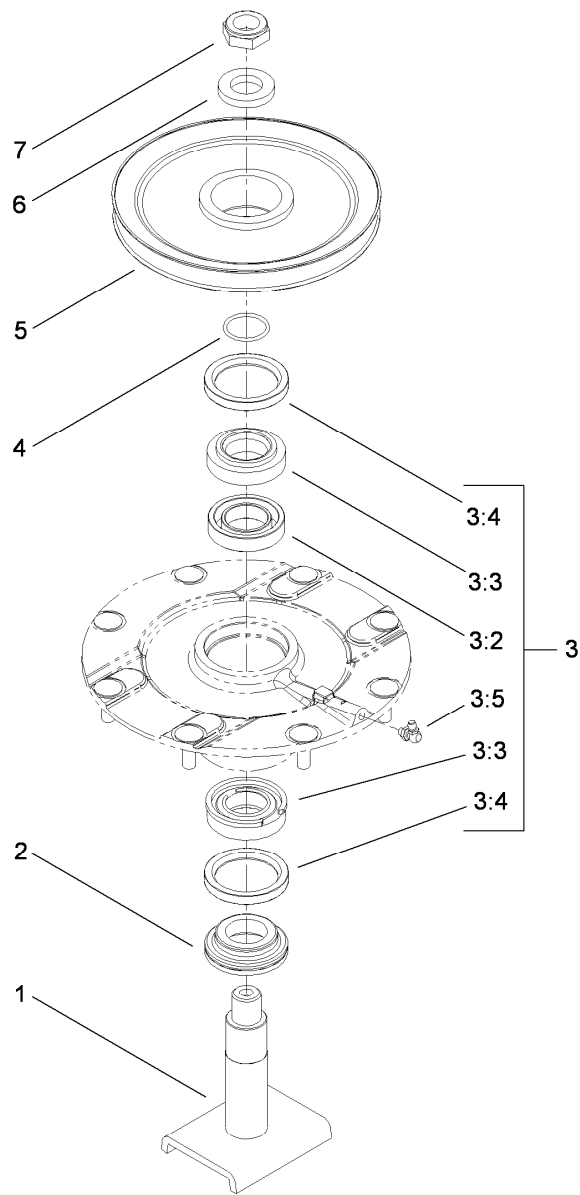
Front Deck, Idler and Skid Assembly (continued)

Ref.	Part Number	Qty.	Description
38	32128-26	4	Nut-HF
40	70-1160	2	Washer



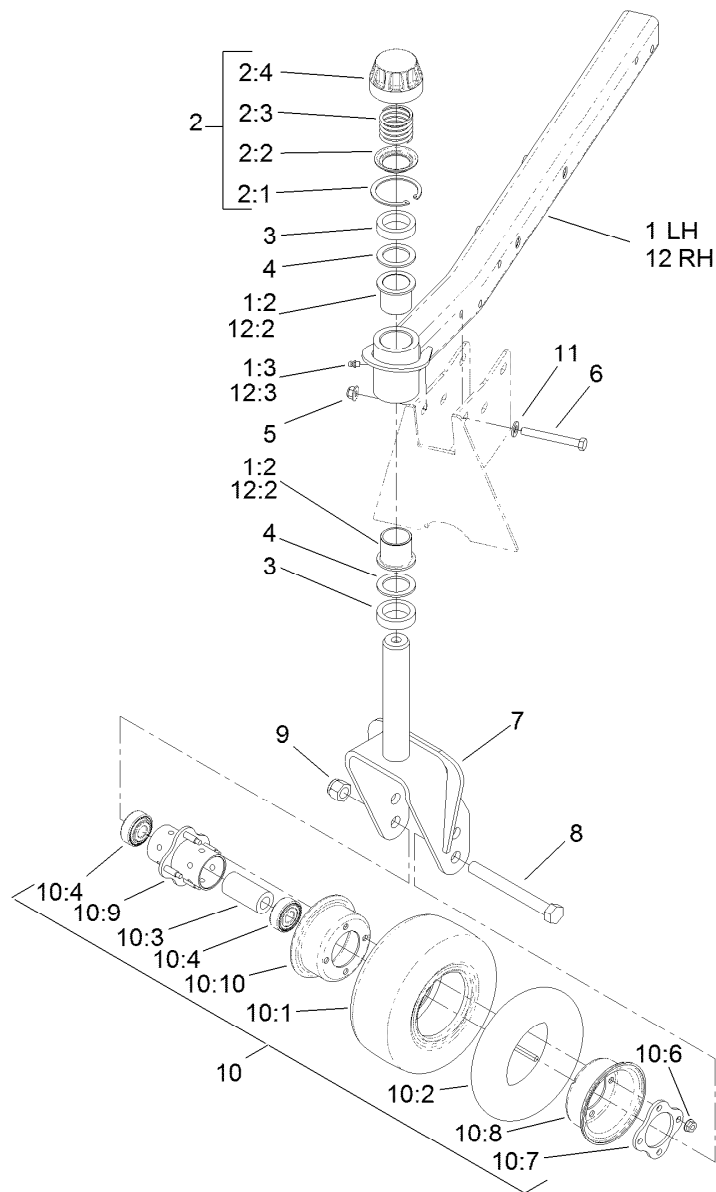
Double Driven Spindle Assembly No. 119-4548

<i>Ref.</i>	<i>Part Number</i>	<i>Qty.</i>	<i>Description</i>
1	104-3554	1	Shaft-Spindle
2	69-6950	1	Spacer-Shaft, Spindle
3	119-4775	1	Spindle Housing ASM
3:2	104-3549	1	Bearing Spacer Set
3:3	110-8297	1	Bearing ASM
3:4	253-154	2	Seal-Oil
3:5	302-60	1	Fitting-Grease
4	106-7159	1	O-Ring
5	104-3547	1	Pulley-Driven, Double
6	104-8322	1	Washer-Hardened
7	3296-60	1	Nut-Lock, NI



High Driven Spindle Assembly No. 119-4549

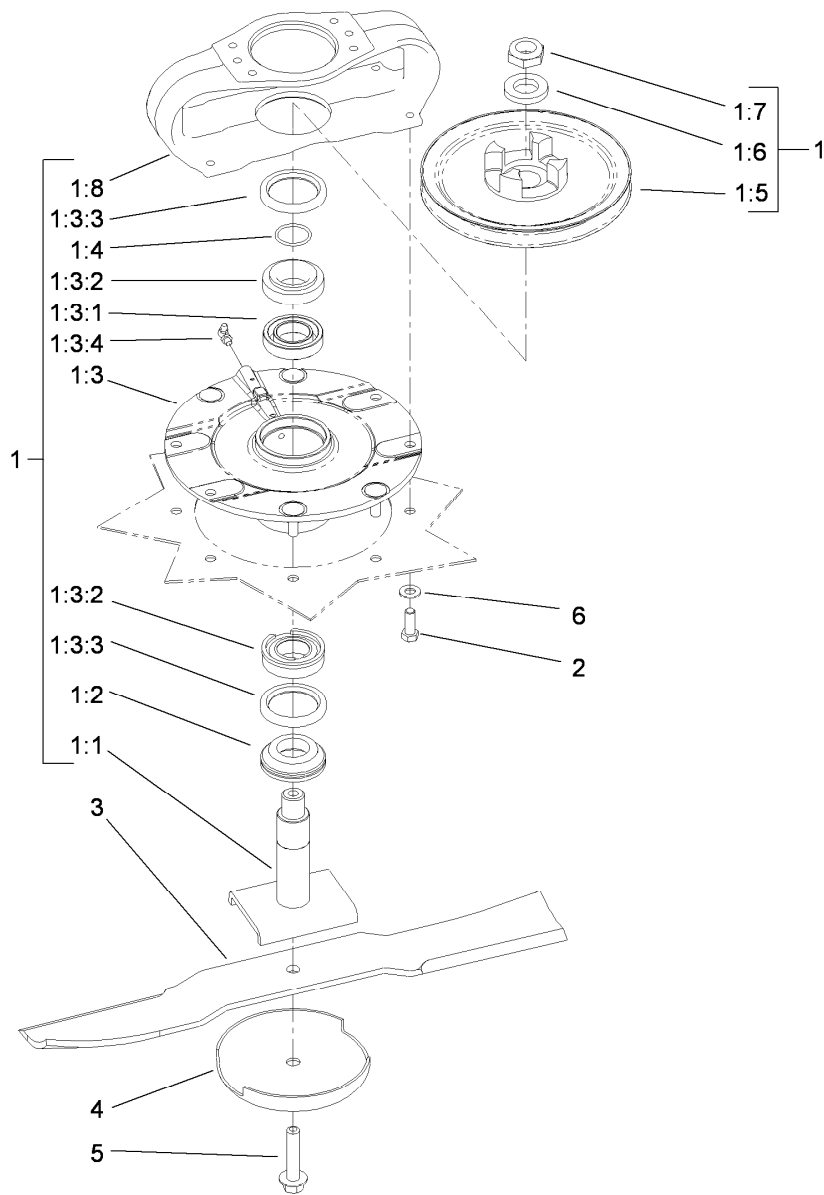
<i>Ref.</i>	<i>Part Number</i>	<i>Qty.</i>	<i>Description</i>
1	104-3554	1	Shaft-Spindle
2	69-6950	1	Spacer-Shaft, Spindle
3	119-4775	1	Spindle Housing ASM
3:2	104-3549	1	Bearing Spacer Set
3:3	110-8297	1	Bearing ASM
3:4	253-154	2	Seal-Oil
3:5	302-60	1	Fitting-Grease
4	106-7159	1	O-Ring
5	104-3548	1	Pulley-Driven, High
6	104-8322	1	Washer-Hardened
7	3296-60	1	Nut-Lock, NI



Front Deck Caster Arm and Wheel Assembly

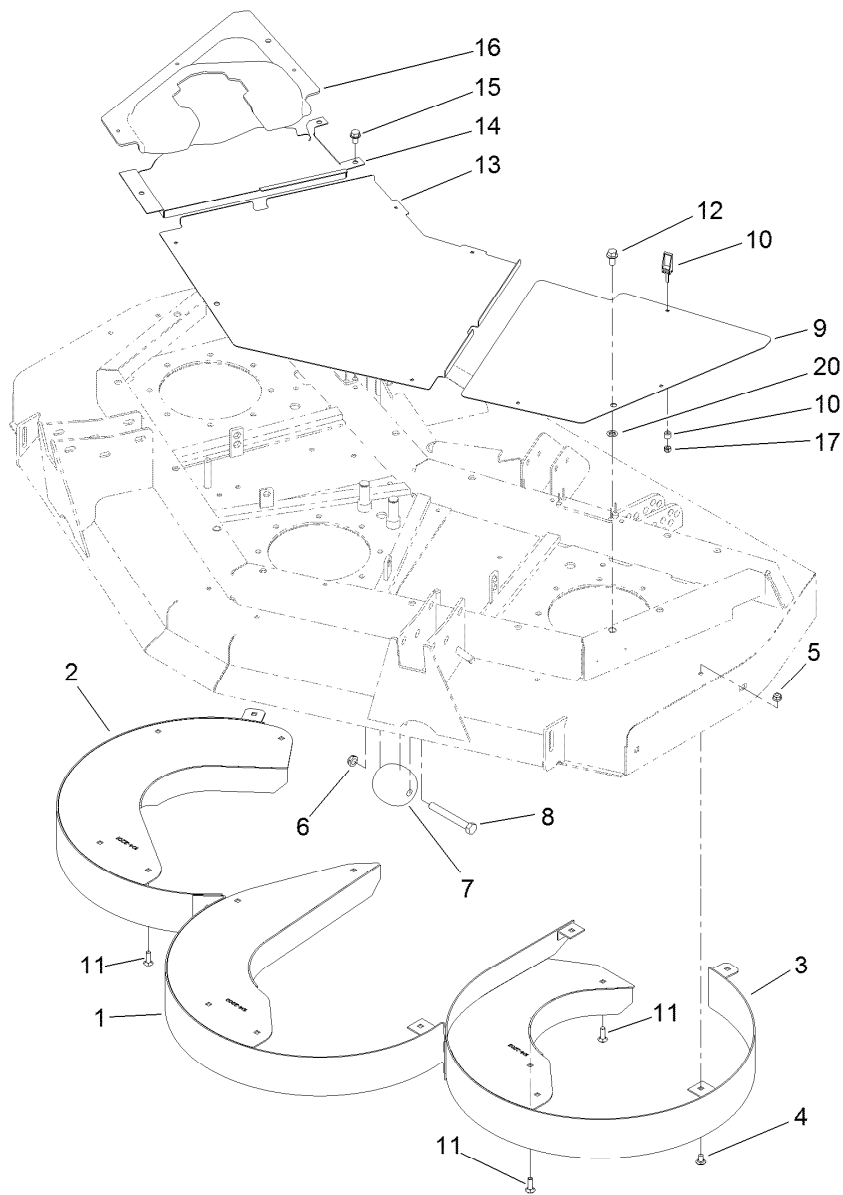
Ref.	Part Number	Qty.	Description	Ref.	Part Number	Qty.	Description
1	100-8092	1	Front LH Castor Arm ASM	10	93-9938	2	Wheel ASM
1:2	69-6470	2	Bushing-Caster	10:1	93-9939	1	Tire
1:3	302-5	1	Fitting-Grease	10:2	68-8950	1	Tube-Inner (W/Valve)
2	92-9727	2	HOC Cap ASM	10:3	93-4241	1	Spacer-Bearing, Inner
2:1	92-5581	1	Ring-Rtng, Snap, Int, Flat	10:4	120-3366	2	Bearing
2:2	92-5583	1	Washer-Cap	10:6	32128-16	4	Nut-HHF
2:3	92-9726	1	Spring-Compression	10:7	93-4242	1	Plate
2:4	92-8861	1	Cap-HOC	10:8	93-4239	1	Rim-Wheel, Half
3	69-1510	10	Spacer	10:9	93-5980	1	Hub
4	69-6860	4	Washer-Thrust	10:10	95-2741	1	Rim-Wheel, Half
5	104-8301	10	Nut-HF, NI	11	3256-24	10	Washer-Flat
6	323-20	10	Screw-HH	12	100-8091	1	Front RH Castor Arm ASM
7	104-0762-01	2	Fork-Castor	12:2	69-6470	2	Bushing-Caster
8	327-24	2	Screw-HH	12:3	302-5	1	Fitting-Grease
9	3296-53	2	Nut-Lock, NI				
10	93-5974	2	8 Inch Foam Filled Wheel ASM ●				

● Optional Equipment



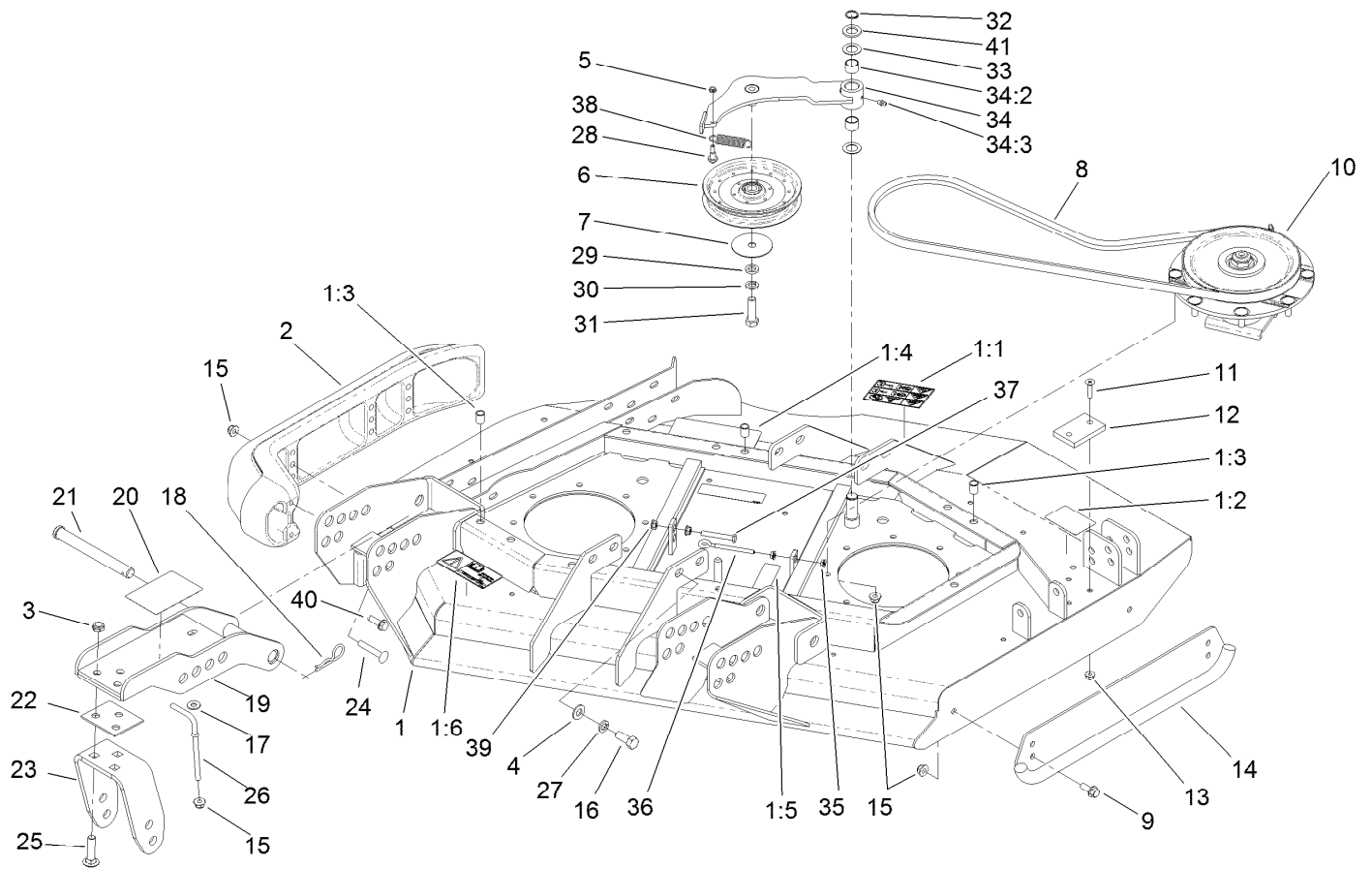
Spindle Installation Assembly

<i>Ref.</i>	<i>Part Number</i>	<i>Qty.</i>	<i>Description</i>	<i>Ref.</i>	<i>Part Number</i>	<i>Qty.</i>	<i>Description</i>
1	119-4547	1	Driving Spindle ASM	1:5	104-3545	1	Pulley-Driving
1:1	104-3554	1	Shaft-Spindle	1:6	104-8322	1	Washer-Hardened
1:2	69-6950	1	Spacer-Shaft, Spindle	1:7	3296-60	1	Nut-Lock, NI
1:3	119-4546	1	Spindle Housing ASM	1:8	104-3544	1	Mount-Motor, Drive
1:3:1	104-3549	1	Bearing Spacer Set	2	323-6	4	Screw-HH
1:3:2	110-8297	1	Bearing ASM	3	92-5608-03	3	Blade
1:3:3	253-154	2	Seal-Oil	4	72-9361	3	Cup-Scalp, Anti
1:3:4	302-60	1	Fitting-Grease	5	92-5816	3	Bolt-Blade
1:4	106-7159	1	O-Ring	6	3256-24	4	Washer-Flat



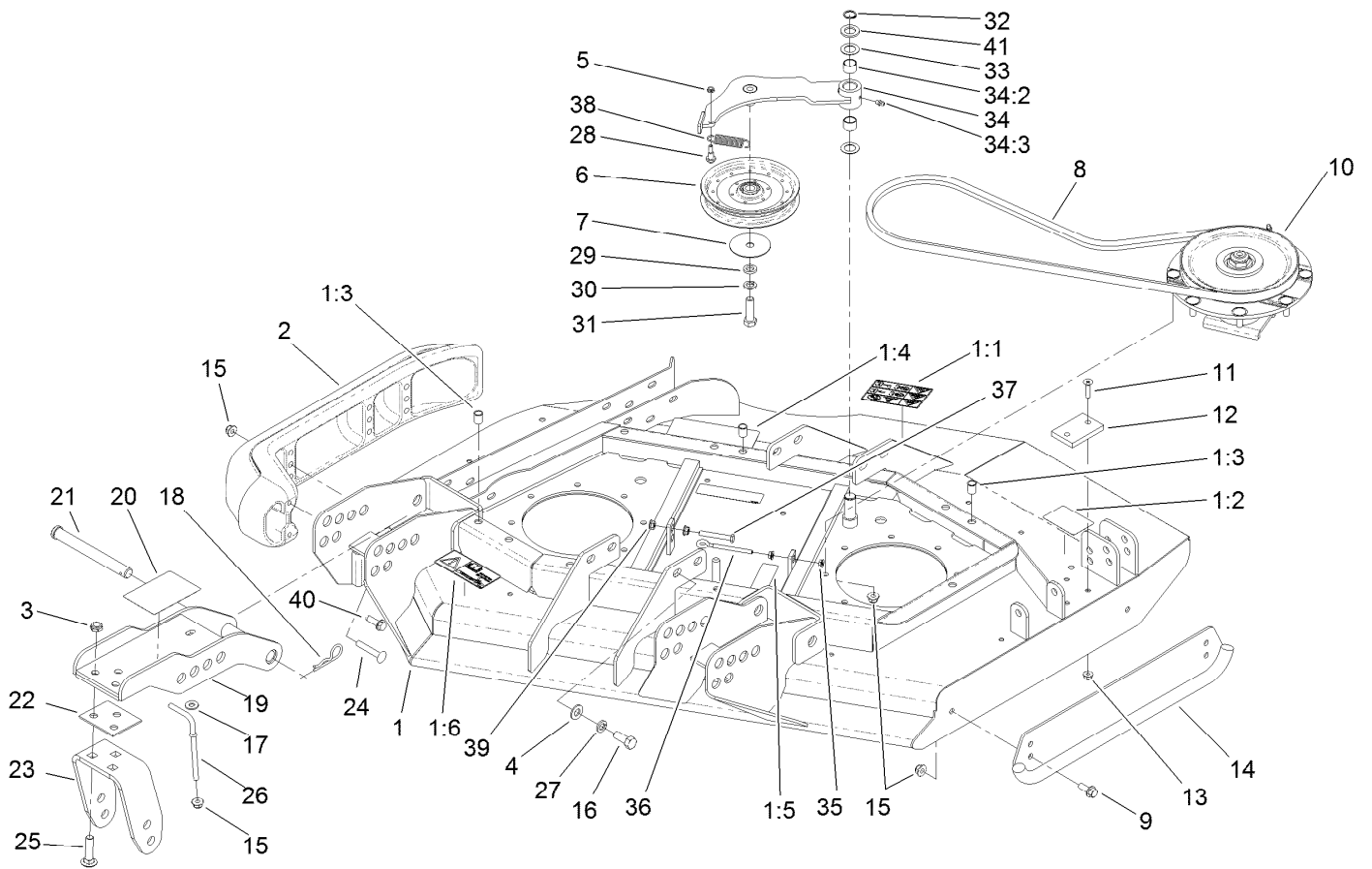
Front Deck Chamber and Cover Assembly

<i>Ref.</i>	<i>Part Number</i>	<i>Qty.</i>	<i>Description</i>	<i>Ref.</i>	<i>Part Number</i>	<i>Qty.</i>	<i>Description</i>
1	104-2200-01	1	Chamber-Center	10	74-5950	10	Latch-Swell
2	104-2201-01	1	Chamber-RH	11	3230-22	3	Screw-CARR
3	104-2202-01	1	Chamber-LH	12	3234-1	3	Screw-HHF
4	3230-18	15	Screw-CARR	13	100-5660-03	1	Cover-Front, Center
5	104-8300	18	Nut-HF, NI	14	100-5662-03	1	Cover-Front, RH
6	3296-45	2	Nut-Hex	15	32144-69	3	Screw-HWHTF
7	29-4820	2	Roller	16	100-5661	1	Cover-Front, Center
8	325-17	2	Screw-HH	17	1-804254	10	Nut-Lock, HH
9	100-5663-03	1	Cover-Front, LH	20	107-3154	3	Nut-Push



Right Deck, Idler and Skid Assembly

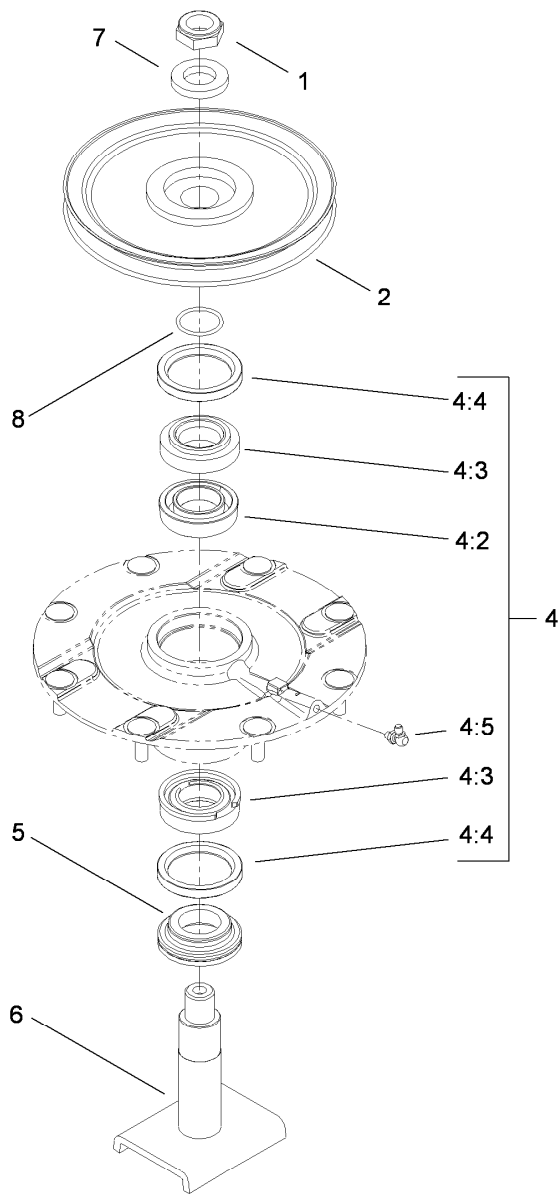
Ref.	Part Number	Qty.	Description	Ref.	Part Number	Qty.	Description
1	120-4062	1	Right Deck ASM	16	325-5	8	Screw-HH
1:1	120-6604	1	Decal-Danger	17	3256-3	2	Washer-Flat
1:2	100-5694	1	Decal-Rear HOC, RH	18	3290-343	4	Pin-Hair
1:3	32148-9	3	Nut-Clinch	19	104-7529-01	2	Bracket-Castor
1:4	100-5622	1	Decal-HOC	20	100-5623	1	Decal-HOC
1:5	100-6578	3	Decal-Danger	21	100-5569	4	Pin-Clevis
1:6	93-7818	1	Decal-Torque, Blade Bolt	22	104-7524	8	Shim
2	112-1479	1	Skid-Bumper, Deck	23	104-7525-01	2	Bracket-Fork
3	3296-45	6	Nut-Hex	24	3231-33	2	Screw-CARR
4	3256-26	8	Washer-Flat	25	3233-4	6	Screw-CARR
5	3296-56	1	Nut-Lock, NI	26	106-2047	2	Rod-Tension
6	110-9596	1	Pulley-Idler	27	3253-7	8	Washer-Lock
7	100-3102	1	Washer-Flat	28	104-0858	1	Bolt-Shoulder
8	108-8076	1	V-Belt, Deck	29	9202424	1	Spacer
9	3234-42	2	Screw-HHF	30	3253-7	1	Washer-Lock
10	119-4776	1	Low-Driven Spindle ASM	31	325-7	1	Screw-HH
11	32108-103	2	Screw-FH	32	32120-72	1	Ring-Snap
12	69-9290	1	Pad-Bumper	33	3-6498	2	Washer-Thrust
13	104-8300	2	Nut-HF, NI	34	110-6128	1	Idler Arm ASM
14	104-2250-01	1	Skid-Side	34:2	256-76	2	Bushing
15	104-8301	18	Nut-HF, NI	34:3	302-5	1	Fitting-Grease



Right Deck, Idler and Skid Assembly (continued)

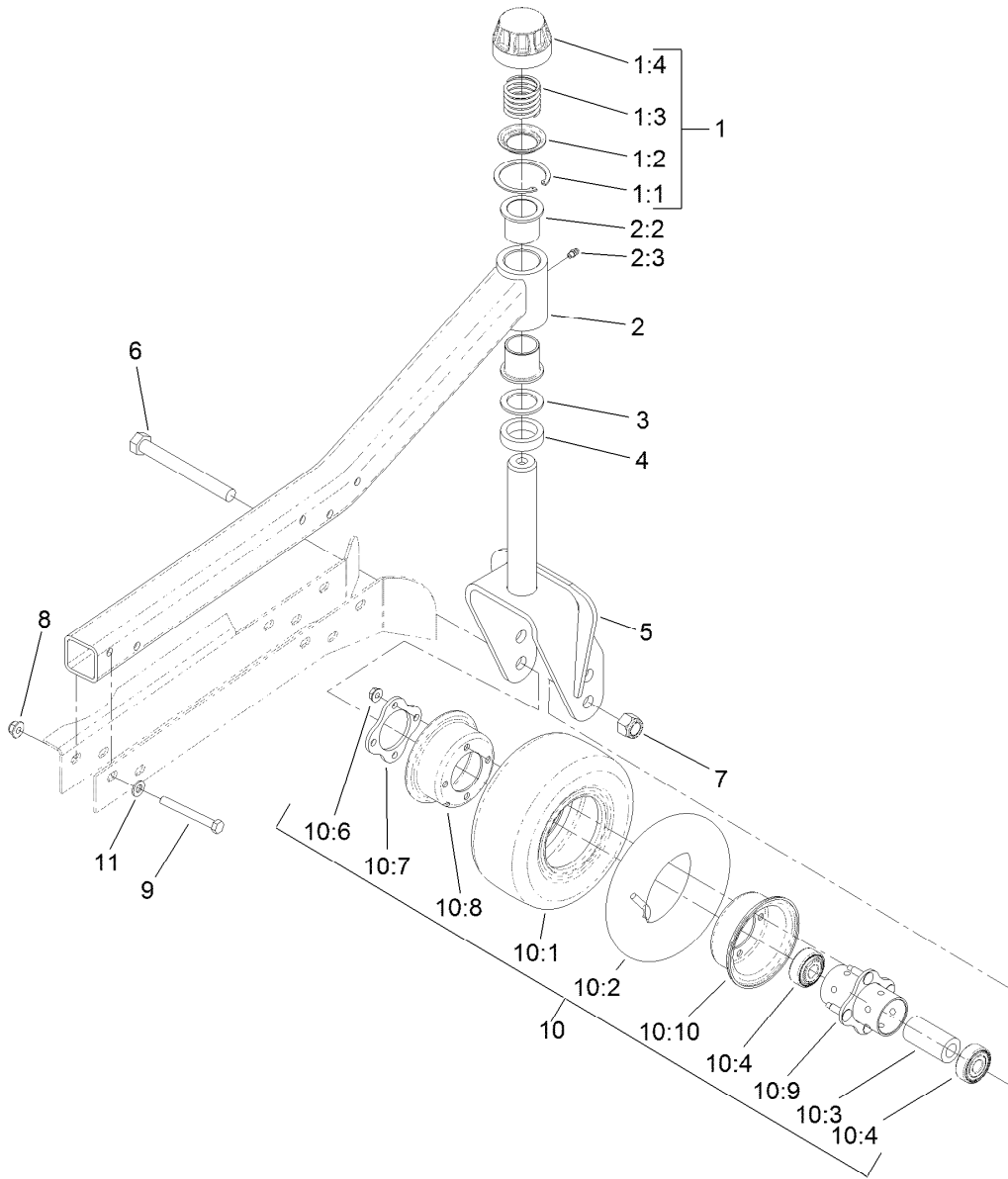
<i>Ref.</i>	<i>Part Number</i>	<i>Qty.</i>	<i>Description</i>
35	32128-14	2	Nut-HF
36	68-0090	1	Screw-Adjusting
37	9114524	1	Bolt-TAP, HH
38	107938	1	Spring-Extension

<i>Ref.</i>	<i>Part Number</i>	<i>Qty.</i>	<i>Description</i>
39	32128-26	2	Nut-HF
40	9136144	1	Screw-HWHTF
41	70-1160	1	Washer



Low Driven Spindle Assembly No. 119-4776

<i>Ref.</i>	<i>Part Number</i>	<i>Qty.</i>	<i>Description</i>
1	3296-60	1	Nut-Lock, NI
2	104-3546	1	Pulley-Driven, Low
4	119-4775	1	Spindle Housing ASM
4:2	104-3549	1	Bearing Spacer Set
4:3	110-8297	1	Bearing ASM
4:4	253-154	2	Seal-Oil
4:5	302-60	1	Fitting-Grease
5	69-6950	1	Spacer-Shaft, Spindle
6	104-3554	1	Shaft-Spindle
7	104-8322	1	Washer-Hardened
8	106-7159	1	O-Ring

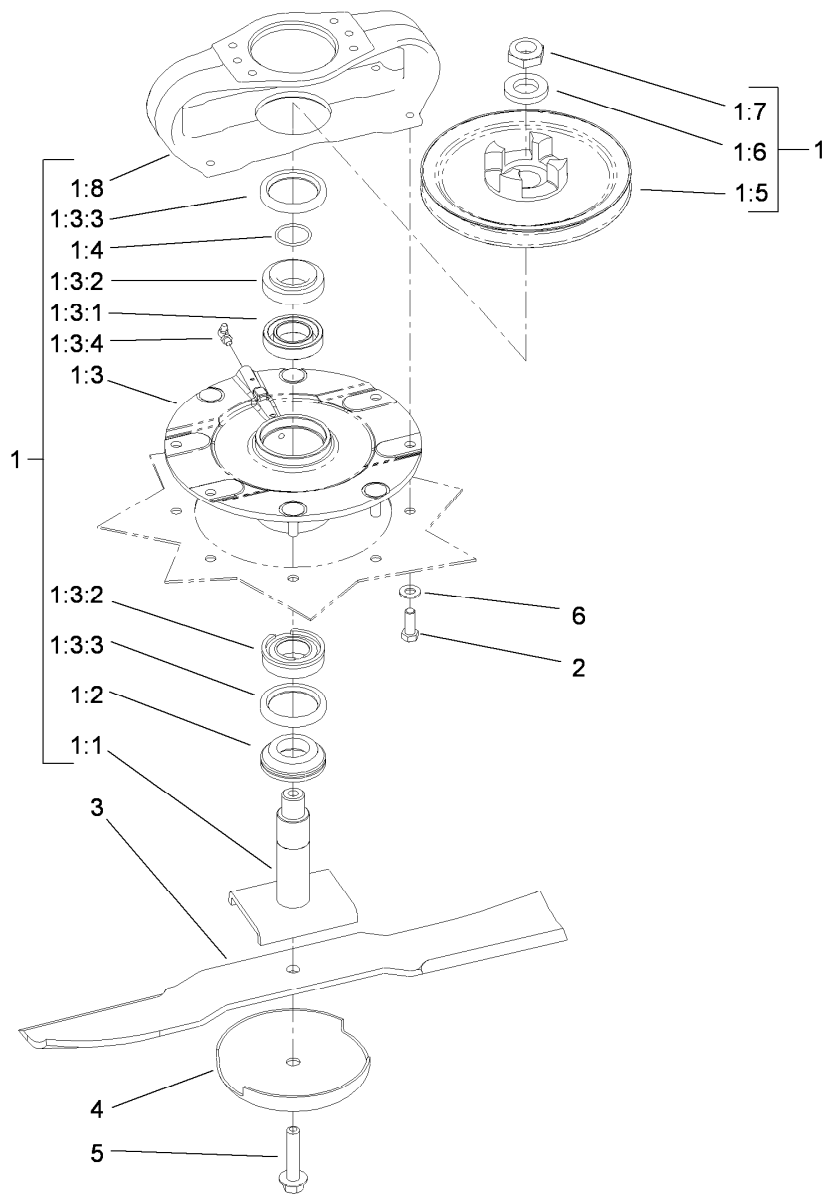


Left Deck Caster Arm and Wheel Assembly

Ref.	Part Number	Qty.	Description
1	92-9727	1	HOC Cap ASM
1:1	92-5581	1	Ring-Rtng, Snap, Int, Flat
1:2	92-5583	1	Washer-Cap
1:3	92-9726	1	Spring-Compression
1:4	92-8861	1	Cap-HOC
2	100-8093	1	Side Castor Arm ASM
2:2	69-6470	2	Bushing-Caster
2:3	302-5	1	Fitting-Grease
3	69-6860	2	Washer-Thrust
4	69-1510	5	Spacer
5	104-0762-01	1	Fork-Castor
6	327-24	3	Screw-HH
7	3296-53	3	Nut-Lock, NI
8	104-8301	5	Nut-HF, NI

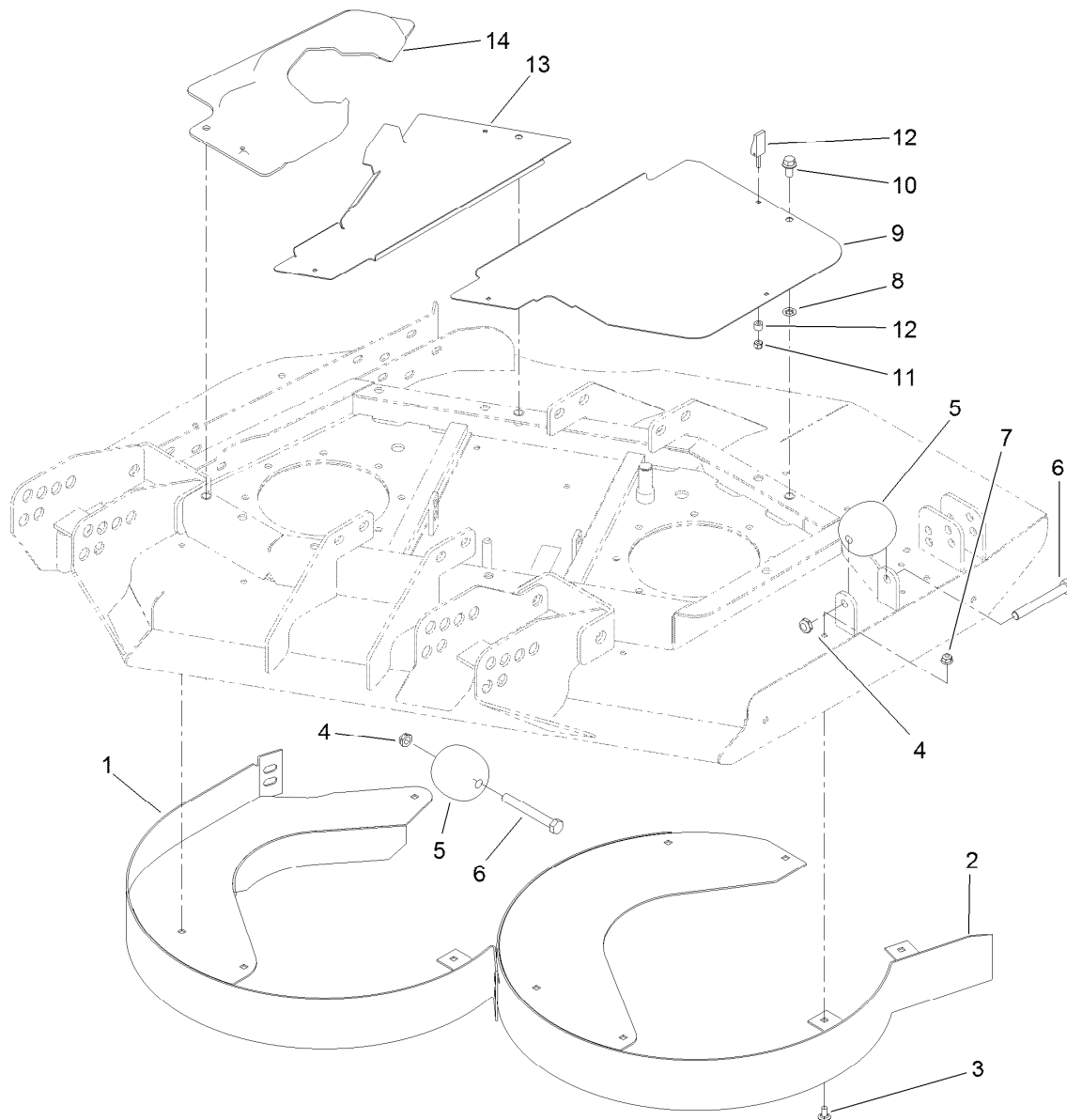
Ref.	Part Number	Qty.	Description
9	323-20	5	Screw-HH
10	93-5974	3	8 Inch Foam Filled Wheel ASM ●
10	93-9938	3	Wheel ASM
10:1	93-9939	1	Tire
10:2	68-8950	1	Tube-Inner (W/Valve)
10:3	93-4241	1	Spacer-Bearing, Inner
10:4	120-3366	2	Bearing
10:6	32128-16	4	Nut-HHF
10:7	93-4242	1	Plate
10:8	93-4239	1	Rim-Wheel, Half
10:9	93-5980	1	Hub
10:10	95-2741	1	Rim-Wheel, Half
11	3256-24	5	Washer-Flat

● Optional Equipment



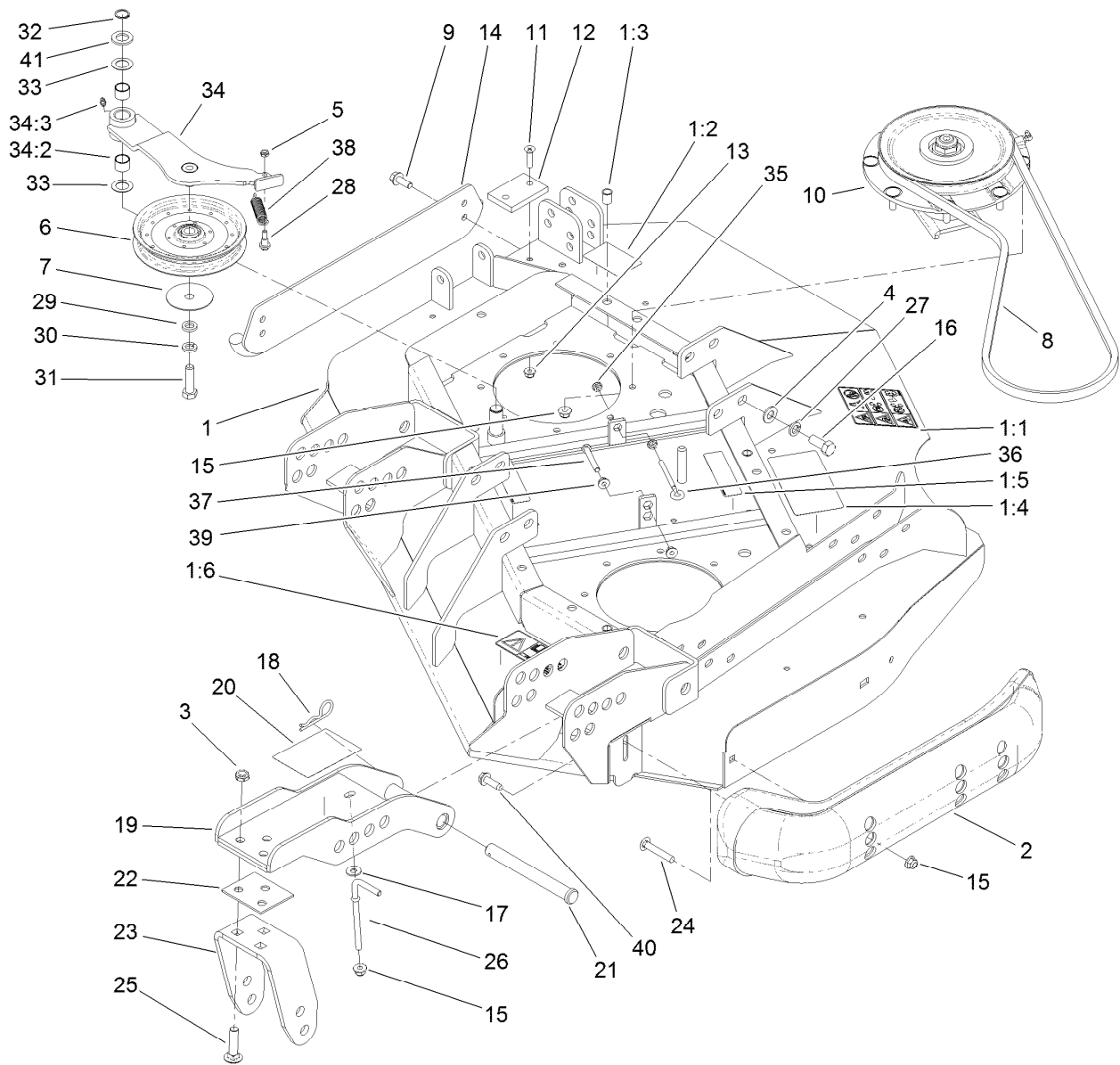
Spindle Installation Assembly

<i>Ref.</i>	<i>Part Number</i>	<i>Qty.</i>	<i>Description</i>	<i>Ref.</i>	<i>Part Number</i>	<i>Qty.</i>	<i>Description</i>
1	119-4547	1	Driving Spindle ASM	1:5	104-3545	1	Pulley-Driving
1:1	104-3554	1	Shaft-Spindle	1:6	104-8322	1	Washer-Hardened
1:2	69-6950	1	Spacer-Shaft, Spindle	1:7	3296-60	1	Nut-Lock, NI
1:3	119-4546	1	Spindle Housing ASM	1:8	104-3544	1	Mount-Motor, Drive
1:3:1	104-3549	1	Bearing Spacer Set	2	323-6	4	Screw-HH
1:3:2	110-8297	1	Bearing ASM	3	92-5608-03	2	Blade
1:3:3	253-154	2	Seal-Oil	4	72-9361	2	Cup-Scalp, Anti
1:3:4	302-60	1	Fitting-Grease	5	92-5816	2	Bolt-Blade
1:4	106-7159	1	O-Ring	6	3256-24	4	Washer-Flat



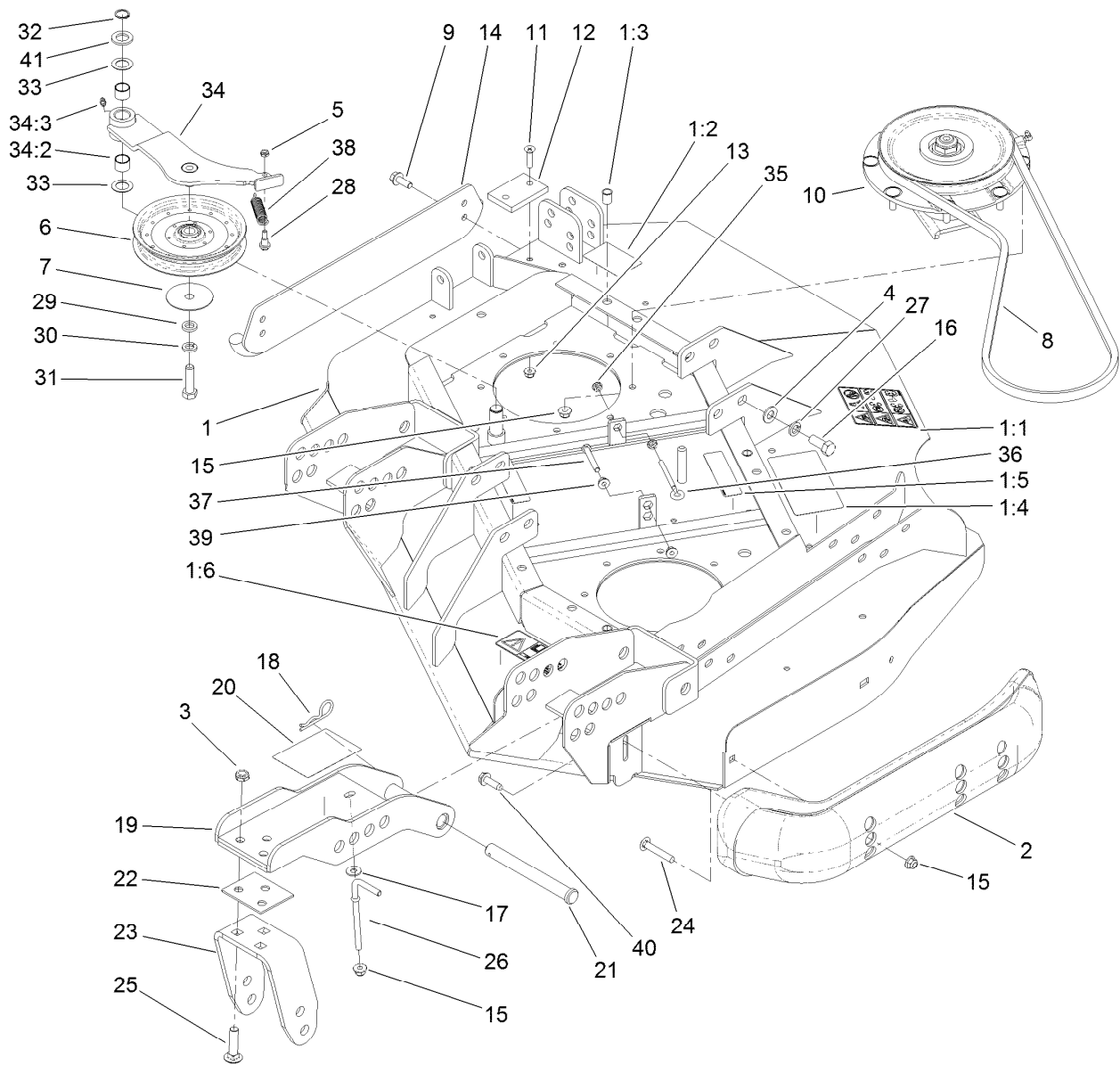
Right Deck Discharge Chamber and Cover Assembly

Ref.	Part Number	Qty.	Description
1	120-4131-01	1	Chamber-Outer
2	104-2204-01	1	Chamber-Inner
3	3230-18	11	Screw-CARR
4	3296-45	2	Nut-Hex
5	29-4820	2	Roller
6	325-17	2	Screw-HH
7	104-8300	11	Nut-HF, NI
8	107-3154	3	Nut-Push
9	100-5668-03	1	Plate-Cover, RH Side
10	3234-1	3	Screw-HHF
11	1-804254	7	Nut-Lock, HH
12	74-5950	7	Latch-Swell
13	100-5665-03	1	Plate-Cover, RH
14	100-5666	1	Cover-Motor, RH Deck



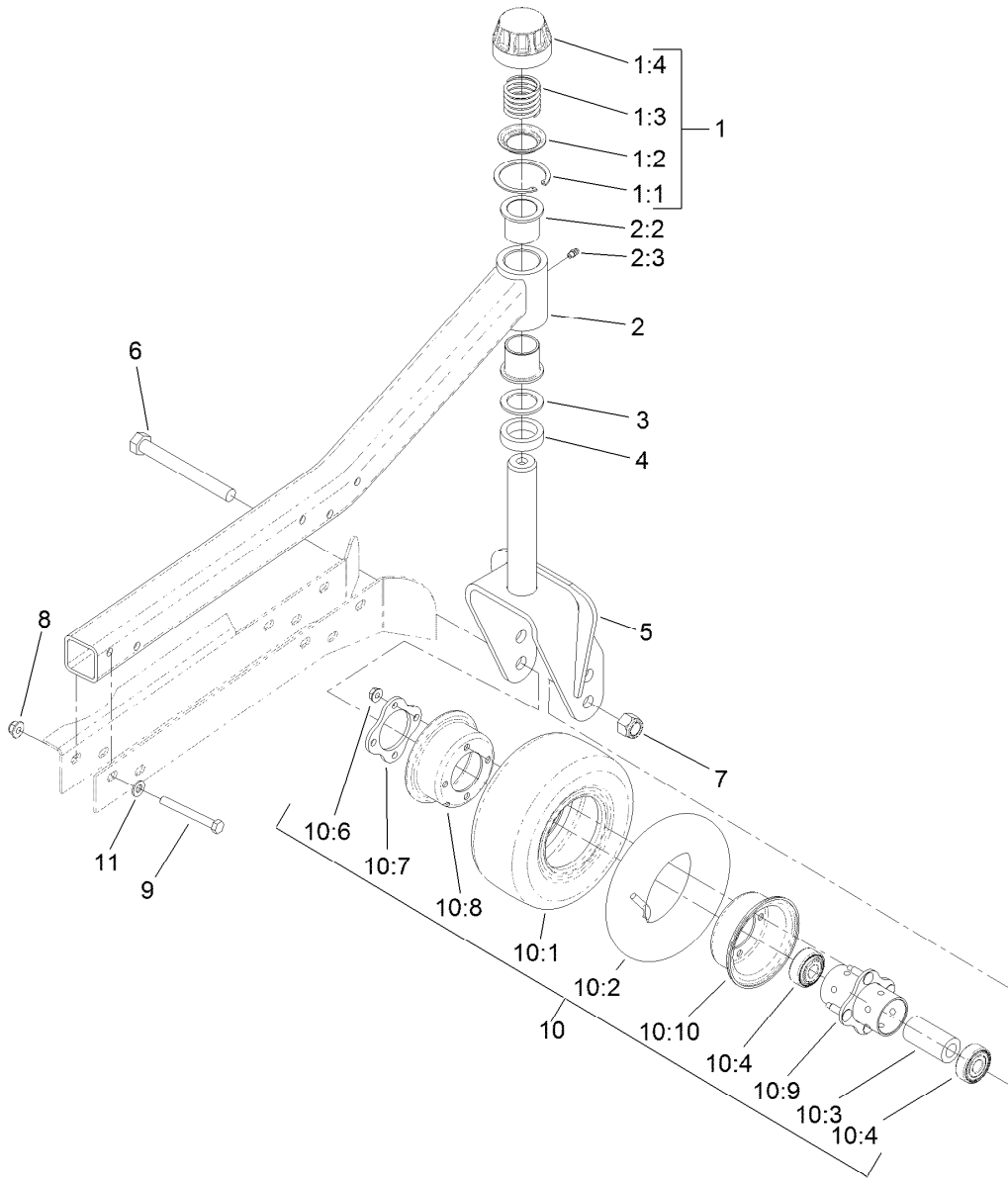
Left Deck Idler and Skid Assembly

Ref.	Part Number	Qty.	Description	Ref.	Part Number	Qty.	Description
1	120-4072	1	Left Deck ASM	16	325-5	8	Screw-HH
1:1	120-6604	1	Decal-Danger	17	3256-3	2	Washer-Flat
1:2	100-5693	1	Decal-Rear HOC, LH	18	3290-343	4	Pin-Hair
1:3	32148-9	3	Nut-Clinch	19	104-7529-01	2	Bracket-Castor
1:4	100-5622	1	Decal-HOC	20	104-3579	1	Decal-HOC
1:5	100-6578	3	Decal-Danger	21	100-5569	4	Pin-Clevis
1:6	93-7818	1	Decal-Torque, Blade Bolt	22	104-7524	8	Shim
2	112-1479	1	Skid-Bumper, Deck	23	104-7525-01	2	Bracket-Fork
3	3296-45	6	Nut-Hex	24	3231-33	2	Screw-CARR
4	3256-26	8	Washer-Flat	25	3233-4	6	Screw-CARR
5	3296-56	1	Nut-Lock, NI	26	106-2047	2	Rod-Tension
6	110-9596	1	Pulley-Idler	27	3253-7	8	Washer-Lock
7	100-3102	1	Washer-Flat	28	104-0858	1	Bolt-Shoulder
8	108-8076	1	V-Belt, Deck	29	9202424	1	Spacer
9	3234-42	2	Screw-HHF	30	3253-7	1	Washer-Lock
10	119-4776	1	Low-Driven Spindle ASM	31	325-7	1	Screw-HH
11	32108-103	2	Screw-FH	32	32120-72	1	Ring-Snap
12	69-9290	1	Pad-Bumper	33	3-6498	2	Washer-Thrust
13	104-8300	2	Nut-HF, NI	34	110-6128	1	Idler Arm ASM
14	104-2250-01	1	Skid-Side	34:2	256-76	2	Bushing
15	104-8301	18	Nut-HF, NI	34:3	302-5	1	Fitting-Grease



Left Deck Idler and Skid Assembly (continued)

<i>Ref.</i>	<i>Part Number</i>	<i>Qty.</i>	<i>Description</i>	<i>Ref.</i>	<i>Part Number</i>	<i>Qty.</i>	<i>Description</i>
35	32128-14	2	Nut-HF	39	32128-26	2	Nut-HF
36	68-0090	1	Screw-Adjusting	40	9136144	1	Screw-HWHTF
37	9114524	1	Bolt-TAP, HH	41	70-1160	1	Washer
38	107938	1	Spring-Extension				

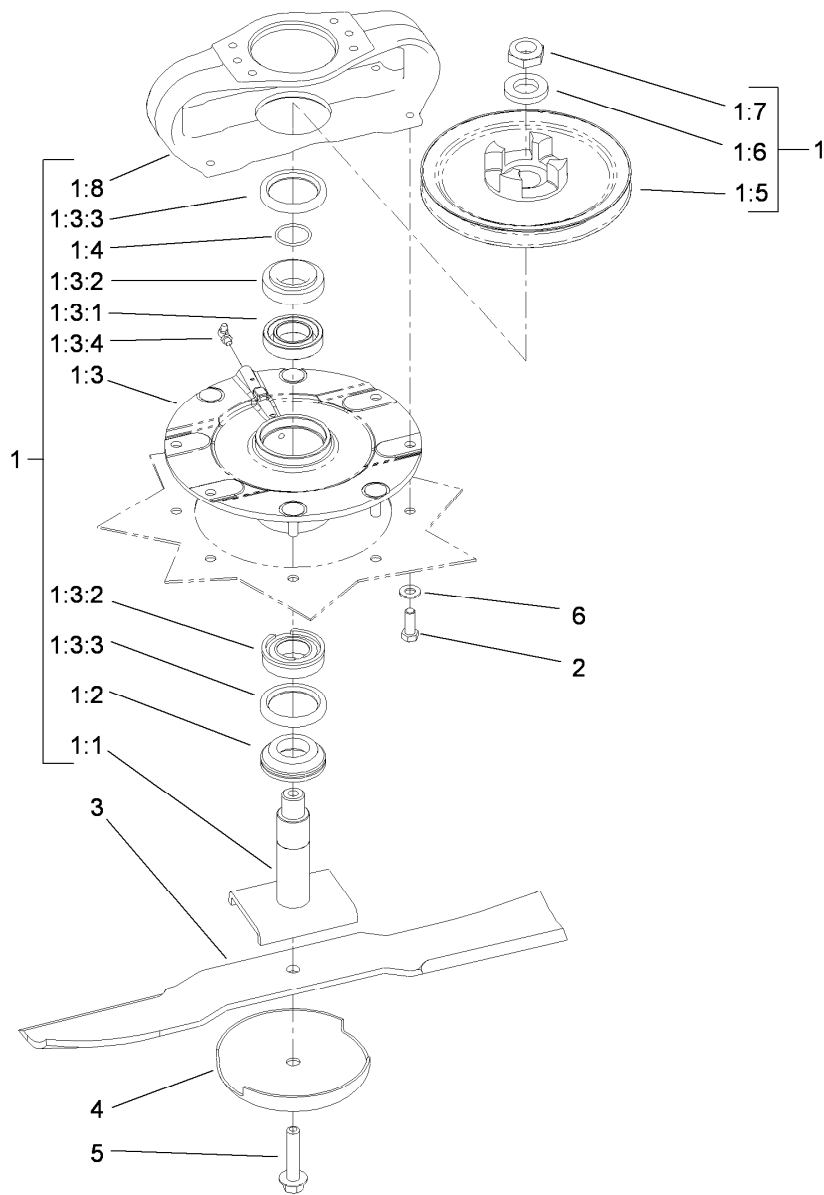


Left Deck Caster Arm and Wheel Assembly

Ref.	Part Number	Qty.	Description
1	92-9727	1	HOC Cap ASM
1:1	92-5581	1	Ring-Rtng, Snap, Int, Flat
1:2	92-5583	1	Washer-Cap
1:3	92-9726	1	Spring-Compression
1:4	92-8861	1	Cap-HOC
2	100-8093	1	Side Castor Arm ASM
2:2	69-6470	2	Bushing-Caster
2:3	302-5	1	Fitting-Grease
3	69-6860	2	Washer-Thrust
4	69-1510	5	Spacer
5	104-0762-01	1	Fork-Castor
6	327-24	3	Screw-HH
7	3296-53	3	Nut-Lock, NI
8	104-8301	5	Nut-HF, NI

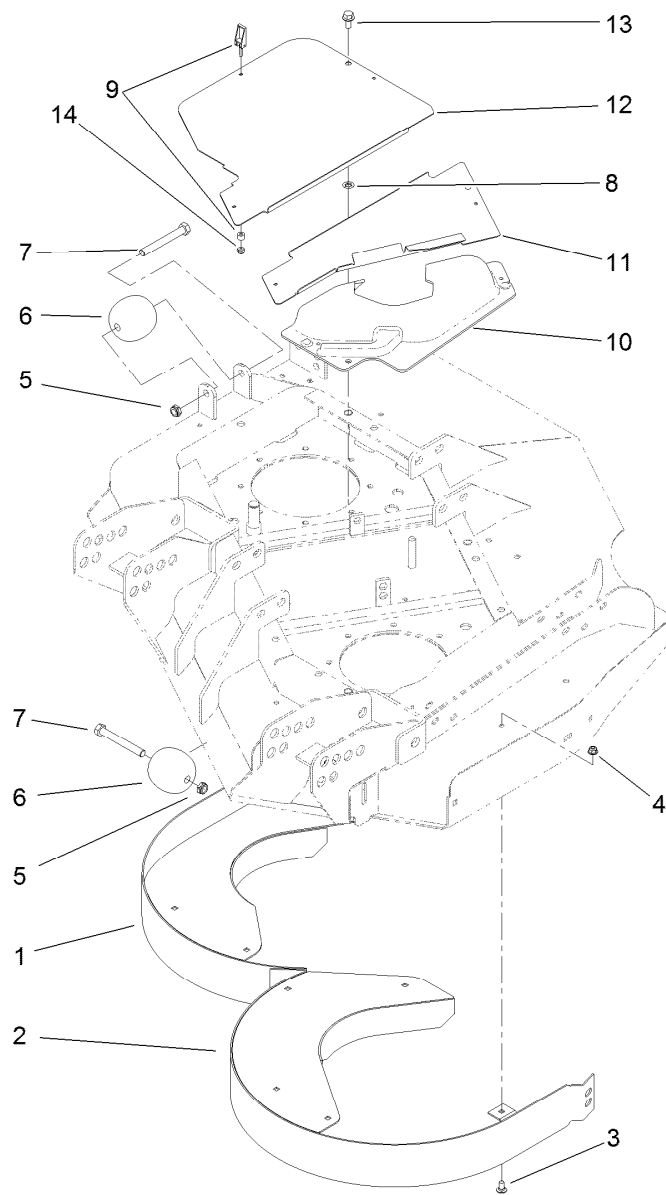
Ref.	Part Number	Qty.	Description
9	323-20	5	Screw-HH
10	93-5974	3	8 Inch Foam Filled Wheel ASM ●
10	93-9938	3	Wheel ASM
10:1	93-9939	1	Tire
10:2	68-8950	1	Tube-Inner (W/Valve)
10:3	93-4241	1	Spacer-Bearing, Inner
10:4	120-3366	2	Bearing
10:6	32128-16	4	Nut-HHF
10:7	93-4242	1	Plate
10:8	93-4239	1	Rim-Wheel, Half
10:9	93-5980	1	Hub
10:10	95-2741	1	Rim-Wheel, Half
11	3256-24	5	Washer-Flat

● Optional Equipment



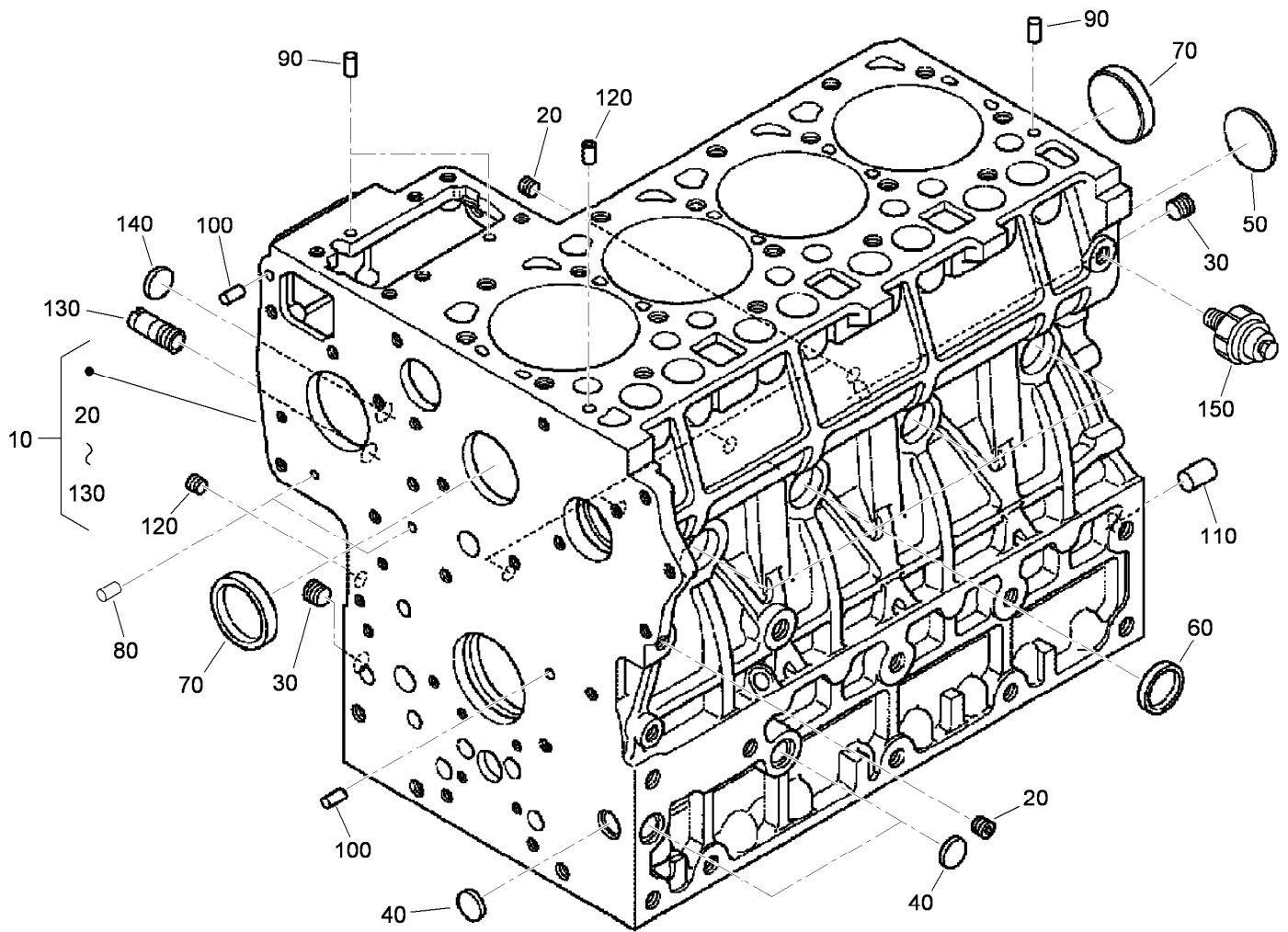
Spindle Installation Assembly

<i>Ref.</i>	<i>Part Number</i>	<i>Qty.</i>	<i>Description</i>	<i>Ref.</i>	<i>Part Number</i>	<i>Qty.</i>	<i>Description</i>
1	119-4547	1	Driving Spindle ASM	1:5	104-3545	1	Pulley-Driving
1:1	104-3554	1	Shaft-Spindle	1:6	104-8322	1	Washer-Hardened
1:2	69-6950	1	Spacer-Shaft, Spindle	1:7	3296-60	1	Nut-Lock, NI
1:3	119-4546	1	Spindle Housing ASM	1:8	104-3544	1	Mount-Motor, Drive
1:3:1	104-3549	1	Bearing Spacer Set	2	323-6	4	Screw-HH
1:3:2	110-8297	1	Bearing ASM	3	92-5608-03	2	Blade
1:3:3	253-154	2	Seal-Oil	4	72-9361	2	Cup-Scalp, Anti
1:3:4	302-60	1	Fitting-Grease	5	92-5816	2	Bolt-Blade
1:4	106-7159	1	O-Ring	6	3256-24	4	Washer-Flat



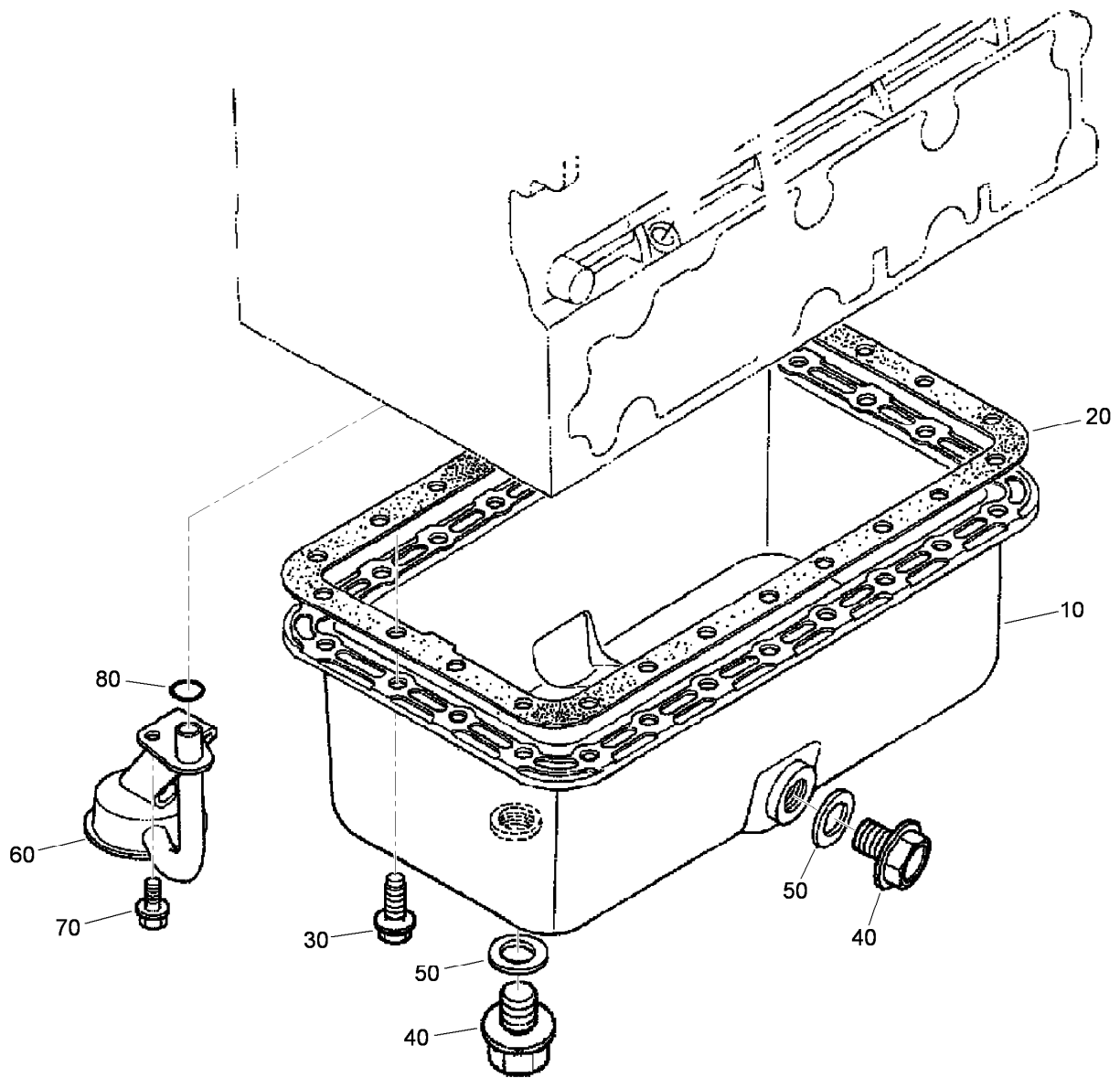
Left Deck Discharge Chamber and Cover Assembly

<i>Ref.</i>	<i>Part Number</i>	<i>Qty.</i>	<i>Description</i>
1	104-2205-01	1	Chamber-Inner
2	120-4132-01	1	Chamber-Outer
3	3230-18	9	Screw-CARR
4	104-8300	9	Nut-HF, NI
5	3296-45	2	Nut-Hex
6	29-4820	2	Roller
7	325-17	2	Screw-HH
8	107-3154	3	Nut-Push
9	74-5950	7	Latch-Swell
10	100-5669	1	Cover-Motor, LH Deck
11	100-5664-03	1	Plate-Cover, LH
12	100-5667-03	1	Plate-Cover, LH Side
13	3234-1	3	Screw-HHF
14	1-804254	7	Nut-Lock, HH



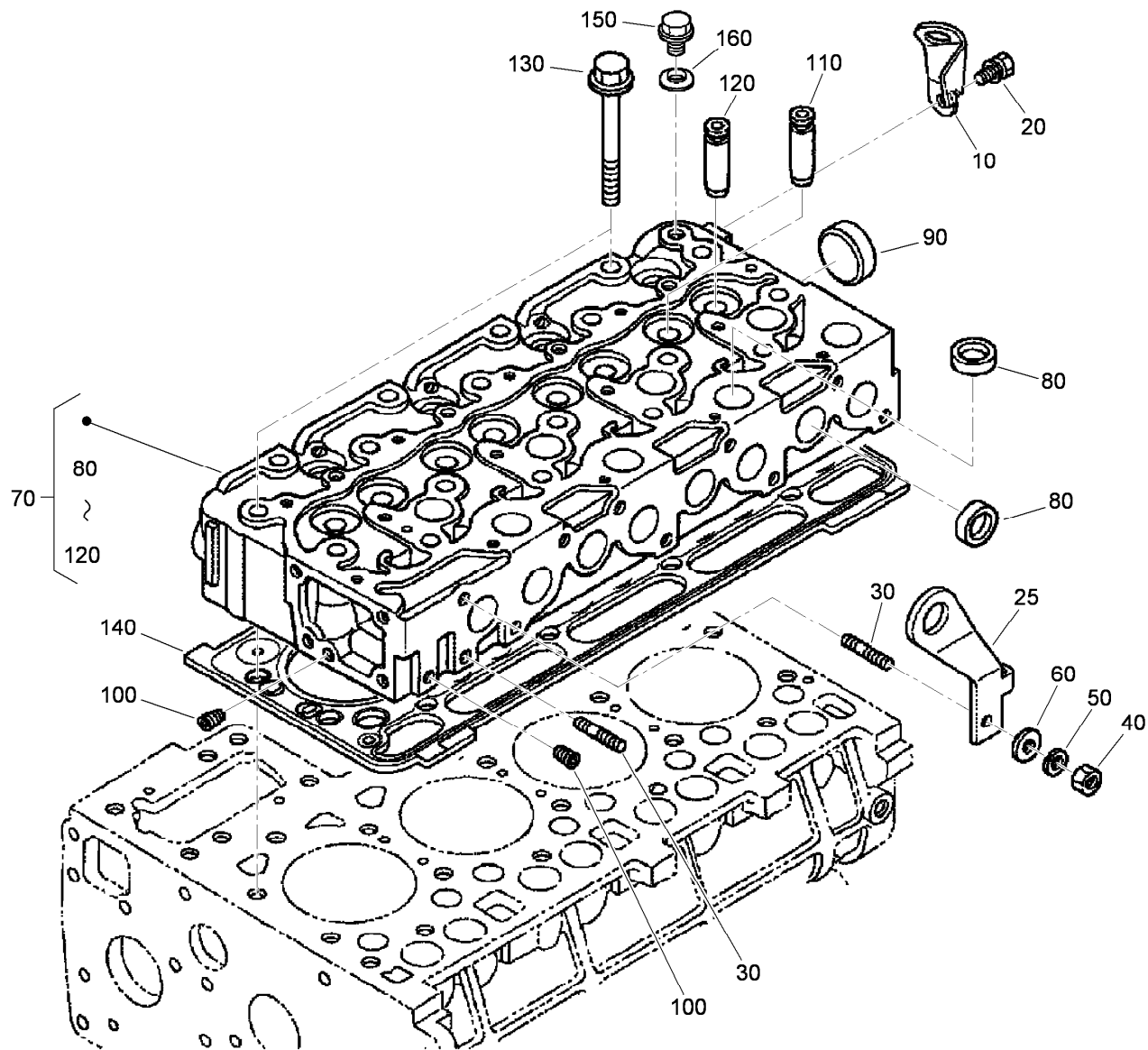
Crankcase Assembly

<i>Ref.</i>	<i>Part Number</i>	<i>Qty.</i>	<i>Description</i>
10	115-8500	1	Crankcase ASM
20	98-7487	2	Plug
30	107-0107	6	Plug
40	98-9379	2	Plug-Expansion
50	98-9668	3	Plug-Expansion
60	98-7500	6	Cap-Sealing
70	98-7501	2	Cap-Sealing
80	98-7502	2	Pin-Straight
90	98-7503	2	Pin-Straight
100	98-7504	2	Pin-Straight
110	98-7505	1	Pin-Straight
120	98-7506	1	Pin-Pipe
130	100-9153	1	Pipe-Return, Water
140	100-2020	1	Cap-Sealing
150	98-9416	1	Switch-Oil



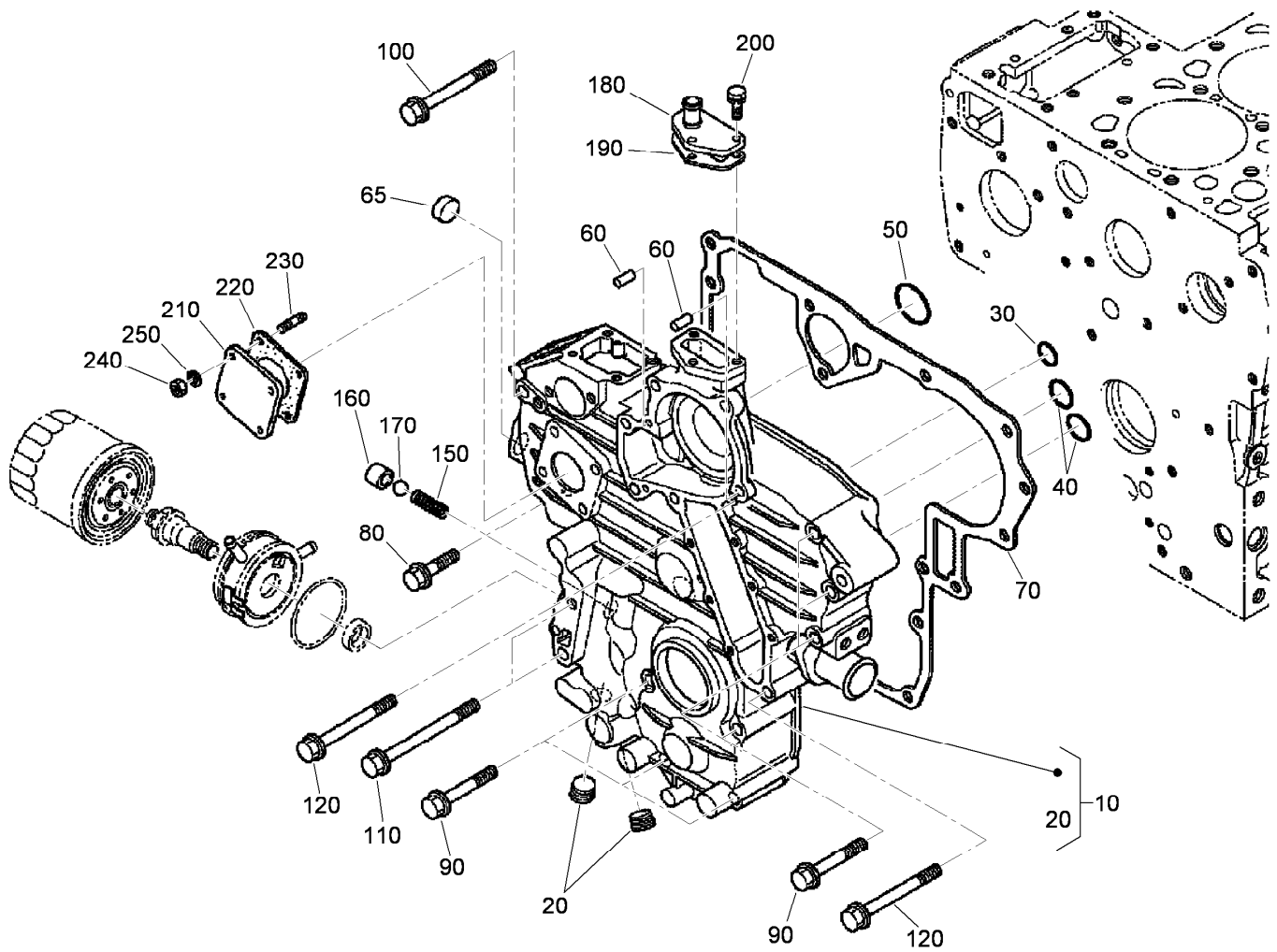
Oil Pan Assembly

<i>Ref.</i>	<i>Part Number</i>	<i>Qty.</i>	<i>Description</i>
10	115-8501	1	Oil Pan ASM
20	108-7053	1	Gasket-Pan, Oil
30	115-8502	24	Bolt-Flange
40	98-9686	2	Plug-Drain
50	98-9399	2	Gasket
60	115-8503	1	Filter-Oil
70	115-8504	1	Bolt-Flange
80	108-7054	1	O-Ring



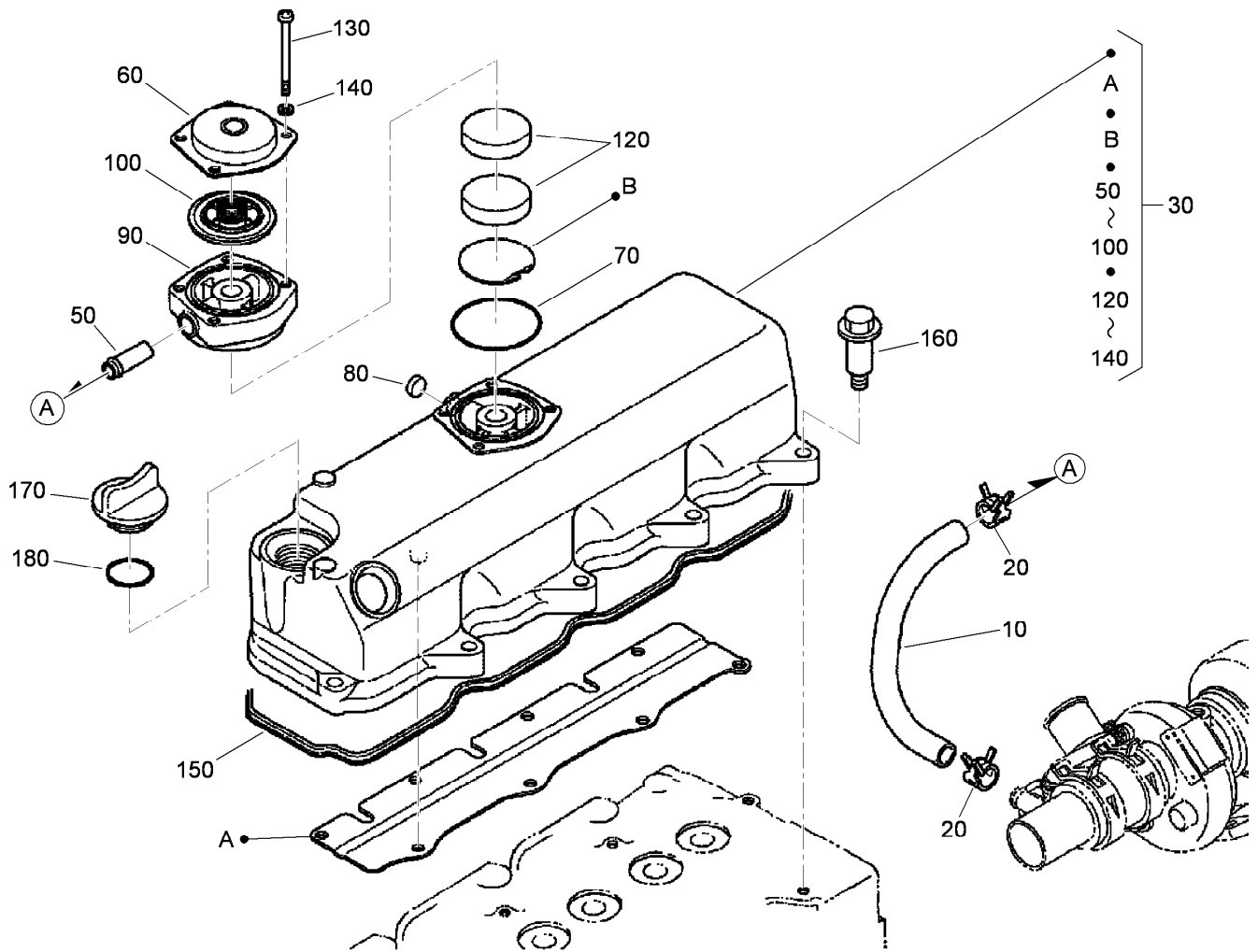
Cylinder Head Assembly

<i>Ref.</i>	<i>Part Number</i>	<i>Qty.</i>	<i>Description</i>	<i>Ref.</i>	<i>Part Number</i>	<i>Qty.</i>	<i>Description</i>
10	98-7530	1	Hook-Engine	130	98-7543	18	Bolt-Head, Cylinder
20	98-7526	1	Bolt	140	115-8647	1	Gasket-Head, Cylinder (1.15Mm)
25	115-8505	1	Hook	140	115-8509	1	Gasket-Head, Cylinder (1.20Mm)
30	115-8506	2	Stud	140	115-8510	1	Gasket-Head, Cylinder (1.25Mm)
40	98-7534	1	Nut	140	115-8511	1	Gasket-Head, Cylinder (1.30Mm)
50	105-2893	1	Washer-Spring	140	115-8512	1	Gasket-Head, Cylinder (1.35Mm)
60	98-7536	1	Washer-Plain	150	98-7762	1	Plug
70	115-8507	1	Head-Cylinder	160	98-7763	1	Washer-W/Rubber
80	98-7538	12	Cap-Sealing				
90	98-7539	1	Cap-Sealing				
100	98-7540	2	Plug				
110	98-7541	4	Guide-Valve, Intake				
120	115-8508	4	Guide-Valve, Exhaust				



Gear Case Assembly

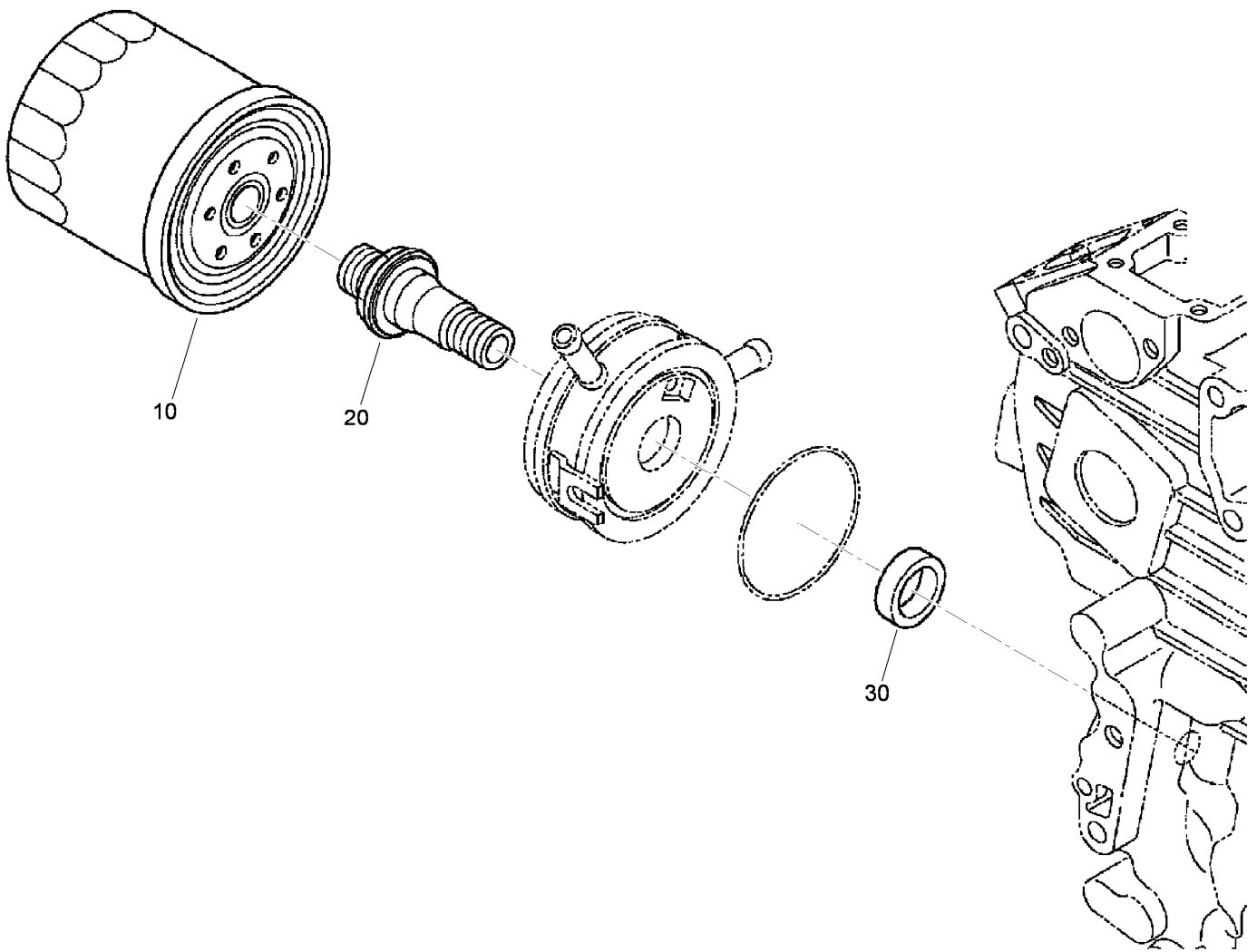
Ref.	Part Number	Qty.	Description	Ref.	Part Number	Qty.	Description
10	115-8513	1	Gear Case ASM	120	115-8520	4	Bolt-Flange
20	98-9598	2	Plug	150	98-7563	1	Spring
30	107-0104	1	O-Ring	160	98-7564	1	Seat-Valve
40	115-8514	2	O-Ring	170	98-7565	1	Ball
50	107-0106	1	O-Ring	180	98-7566	1	Flange-Return, Water
60	98-7504	2	Pin-Straight	190	115-8521	1	Gasket-Flange, Return
65	115-8515	1	Cap-Sealing	200	98-7568	3	Bolt
70	115-8516	1	Gasket-Case, Gear	210	98-7569	1	Cover
80	108-7085	1	Bolt-Flange	220	115-8522	1	Gasket-Meter, Hour
90	115-8517	7	Bolt-Flange	230	98-7571	4	Stud
100	115-8518	1	Bolt-Flange	240	98-7572	4	Nut
110	115-8519	2	Bolt-Flange	250	98-9367	4	Washer-Spring



Cylinder Head Cover Assembly

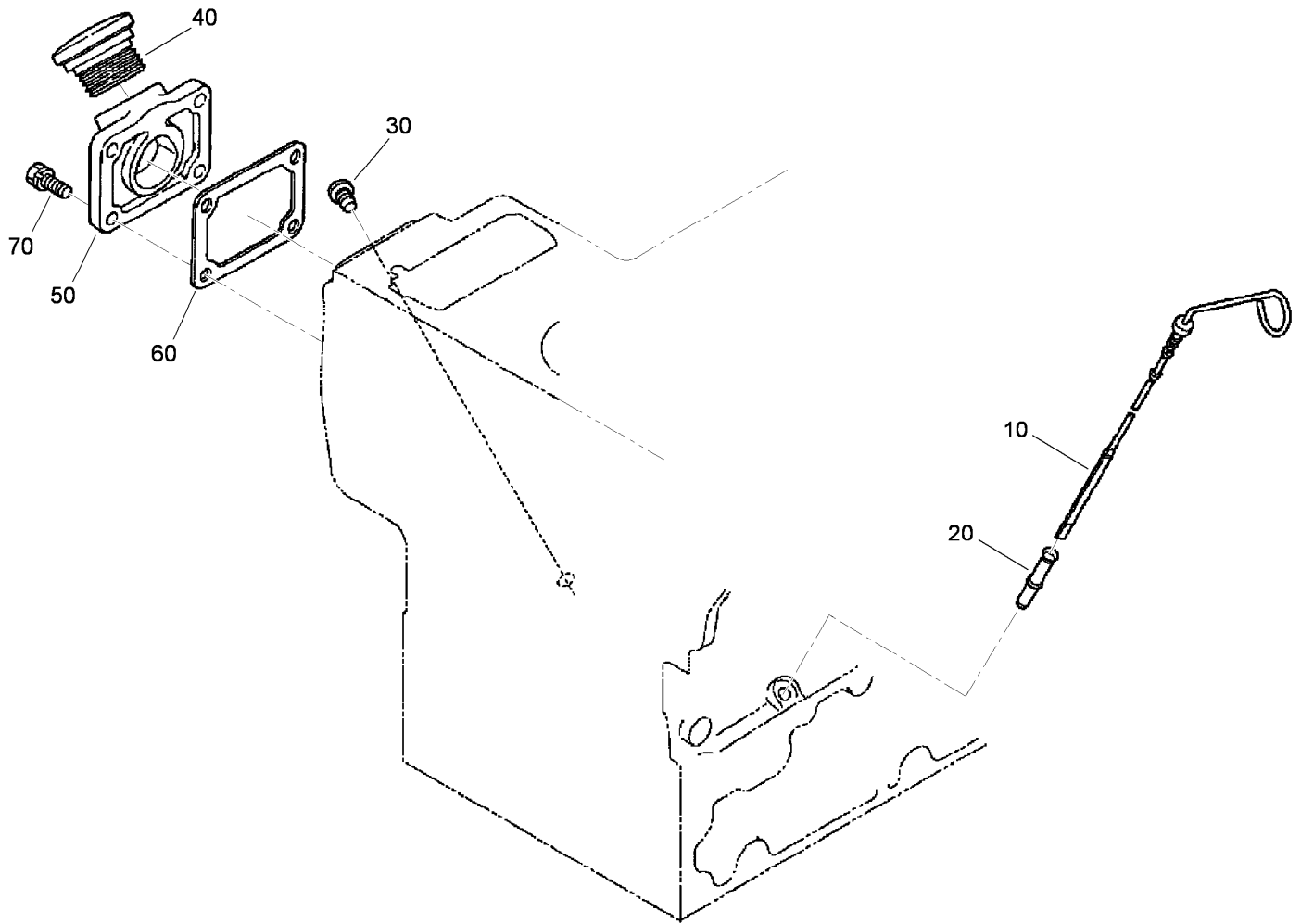
Ref.	Part Number	Qty.	Description
10	115-8523	1	Tube-Breather, Turbo
20	115-8524	2	Clamp-Hose
30	115-8525	1	Cylinder Head Cover ASM
50	98-7766	1	Pipe-Return, Water
60	110-3714	1	Cover-Breather
70	108-7061	1	O Ring-Breather
80	115-3042	1	Cap-Sealing
90	115-8526	1	Spacer-Breather

Ref.	Part Number	Qty.	Description
100	110-3715	1	Valve-Breather
120	98-9493	2	Element-Breather
130	115-3044	4	Screw-Pan Head
140	100-2204	4	Washer-Spring
150	108-7062	1	Gasket-Cover, Head
160	108-7063	10	Bolt
170	98-9449	1	Plug-Filler, Oil
180	108-7064	1	O-Ring



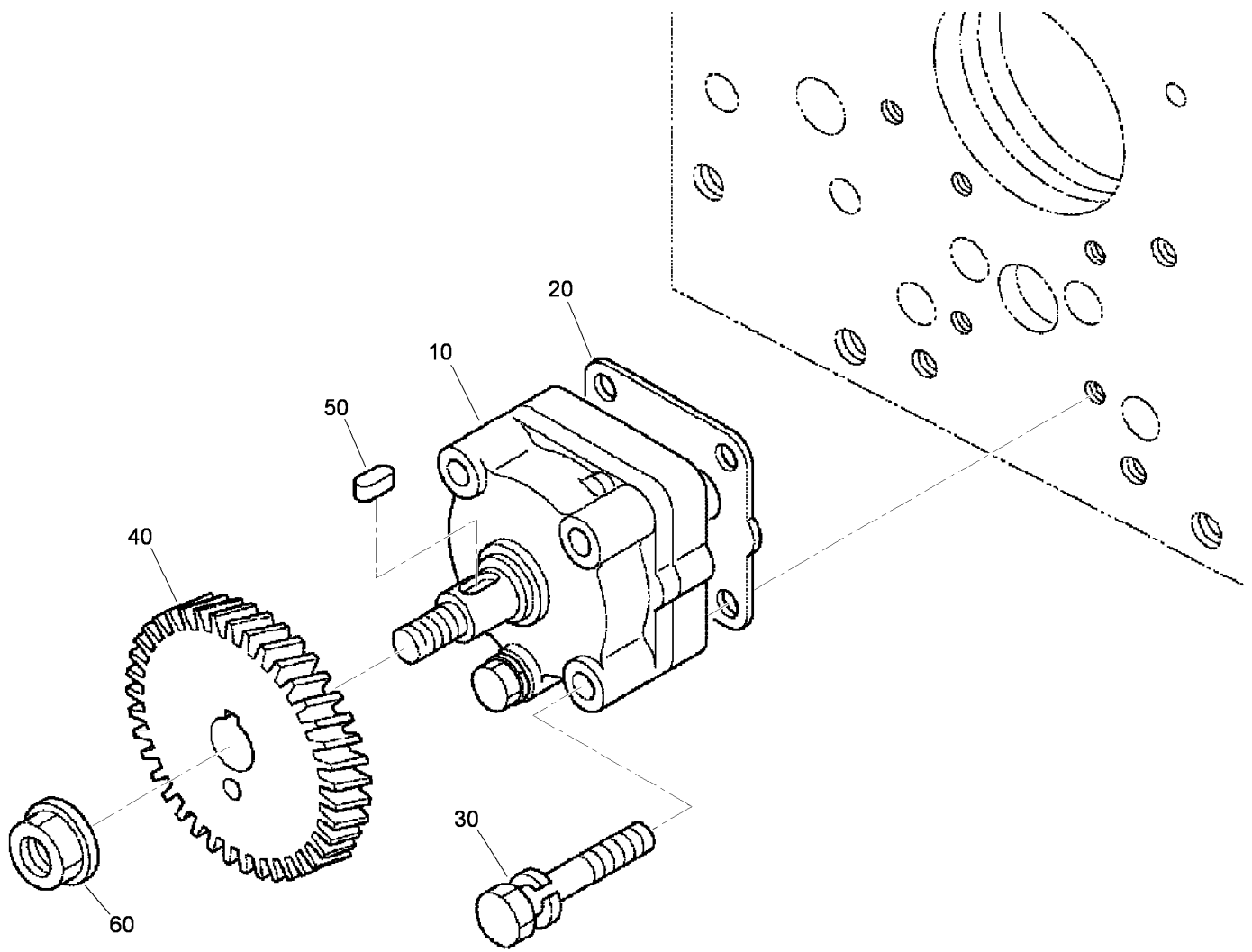
Oil Filter Assembly

<i>Ref.</i>	<i>Part Number</i>	<i>Qty.</i>	<i>Description</i>
10	104-5169	1	Filter-Oil
20	115-8528	1	Connector
30	115-8529	1	Collar



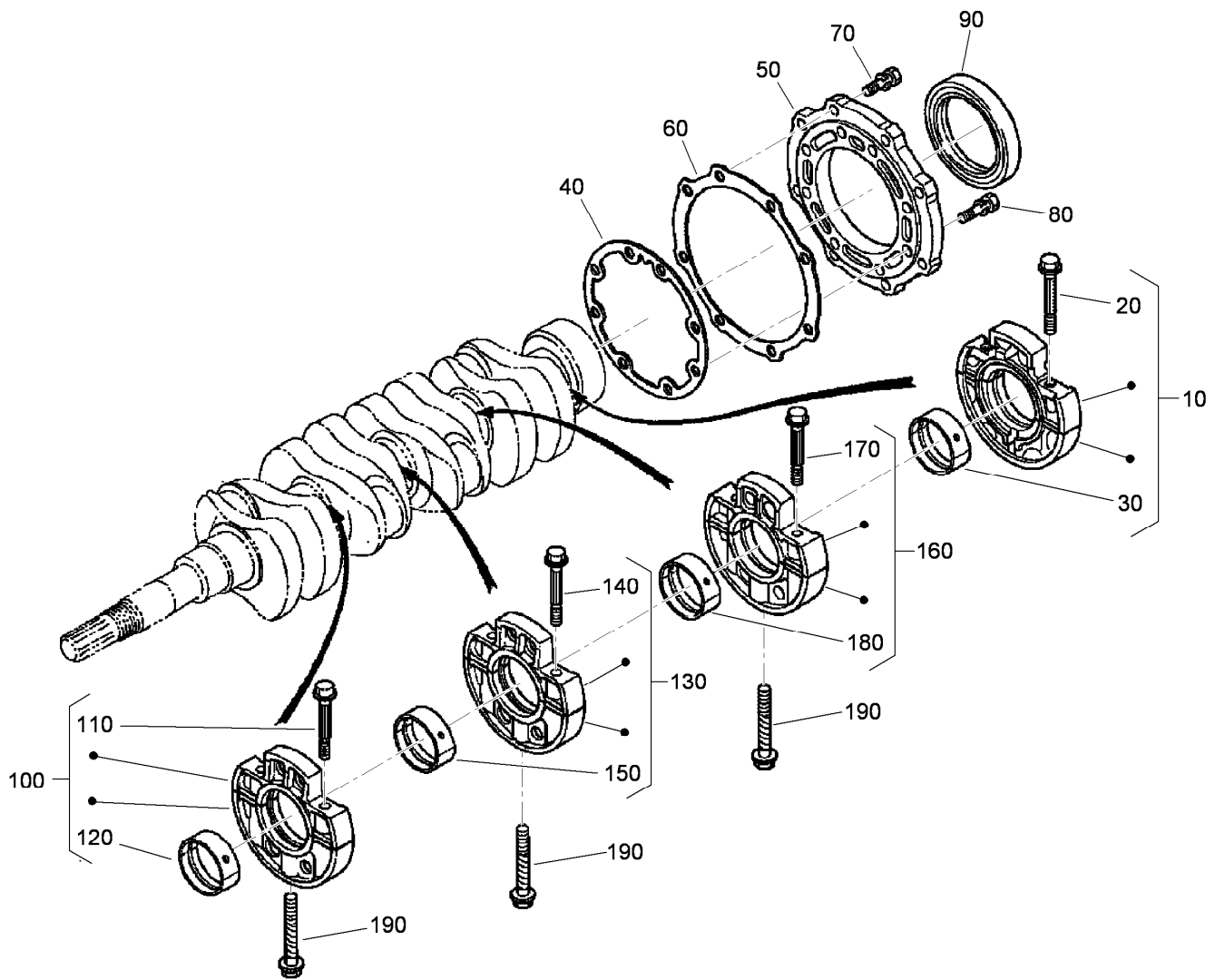
Dipstick and Guide Assembly

<i>Ref.</i>	<i>Part Number</i>	<i>Qty.</i>	<i>Description</i>
10	115-8530	1	Gauge-Oil
20	105-4580	1	Guide-Gauge, Oil
30	110-3720	1	Plug-Gauge, Oil
40	115-8531	1	Plug-Filler, Oil
50	115-8532	1	Flange-Filler, Oil
60	98-7604	1	Gasket-Cover, Pump
70	98-7605	4	Bolt



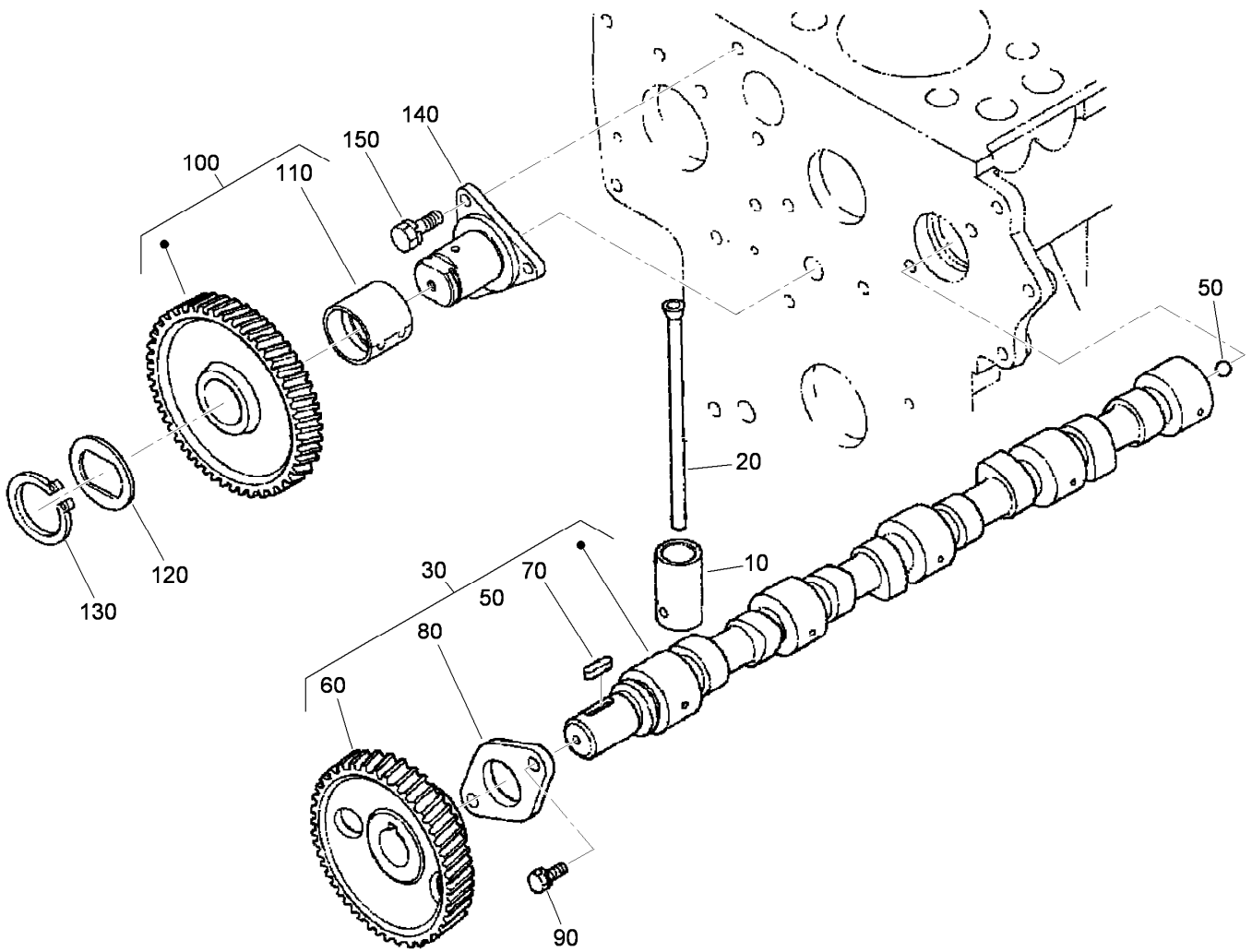
Oil Pump Assembly

<i>Ref.</i>	<i>Part Number</i>	<i>Qty.</i>	<i>Description</i>
10	98-7512	1	Oil Pump ASM
20	98-7513	1	Gasket-Pump, Oil
30	105-3797	4	Bolt
40	115-8533	1	Gear-Drive, Oil Pump
50	98-7517	1	Key-Feather
60	98-7518	1	Nut-Flange



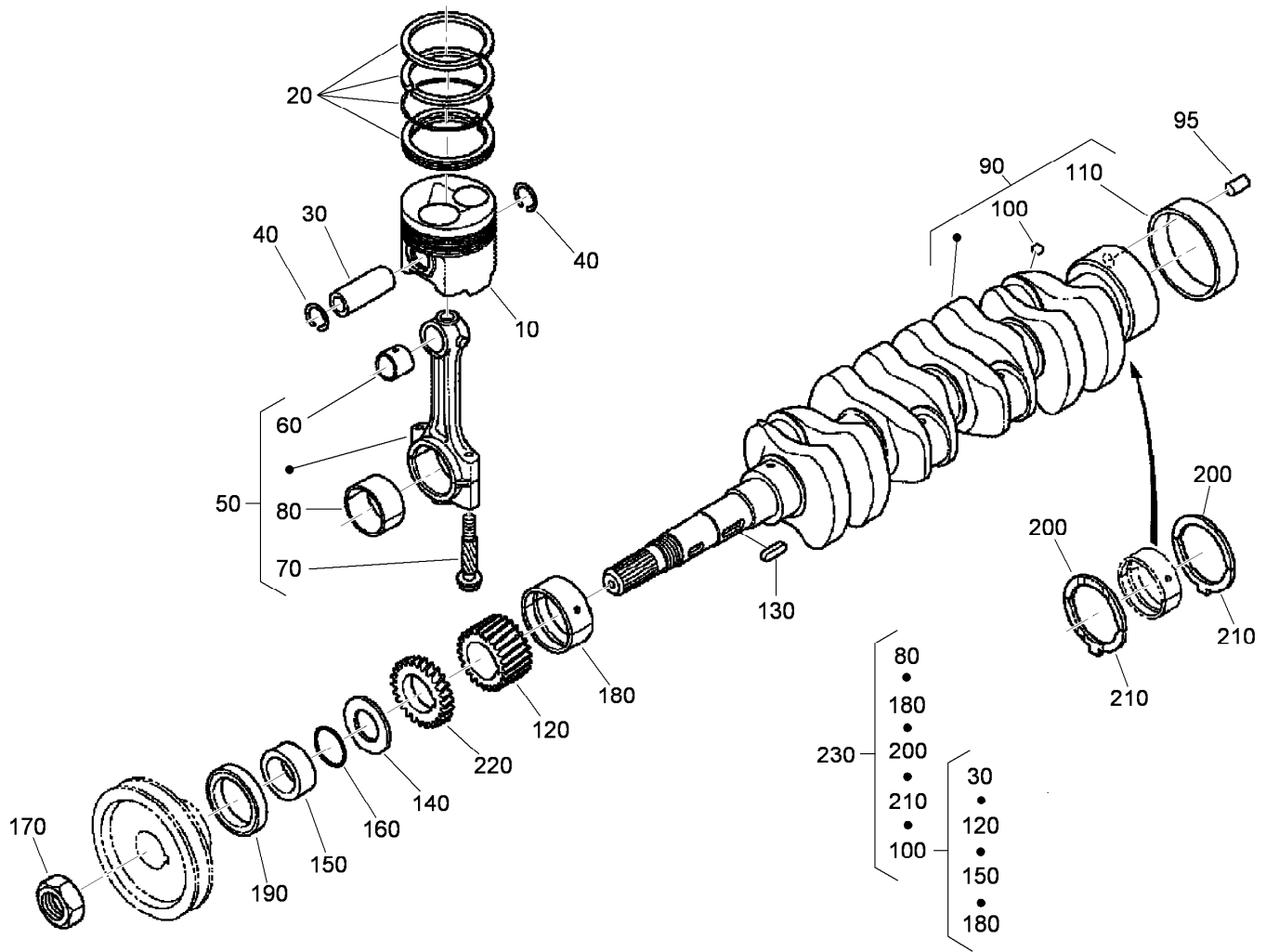
Main Bearing Case Assembly

<i>Ref.</i>	<i>Part Number</i>	<i>Qty.</i>	<i>Description</i>	<i>Ref.</i>	<i>Part Number</i>	<i>Qty.</i>	<i>Description</i>
10	115-8534	1	Wheel Bearing Case ASM	120	108-7067	1	Metal-Crankshaft (STD)
20	108-7066	2	Bolt-Case, Bearing	120	108-7068	1	Metal-Crankshaft (-0.20MM)
30	108-7067	1	Metal-Crankshaft (STD)	120	108-7069	1	Metal-Crankshaft (-0.40MM)
30	108-7068	1	Metal-Crankshaft (-0.20MM)	130	108-7074	1	Main Bearing Case ASM
30	108-7069	1	Metal-Crankshaft (-0.40MM)	140	108-7066	2	Bolt-Case, Bearing
40	108-7070	1	Gasket-Case, Bearing	150	108-7069	1	Metal-Crankshaft (-0.40MM)
50	117-8843	1	Cover-Case, Bearing	150	108-7068	1	Metal-Crankshaft (-0.20MM)
60	98-7437	1	Gasket-Case Cover, Bearing	150	108-7067	1	Metal-Crankshaft (STD)
70	98-7438	8	Bolt	160	115-8536	1	Main Bearing Case ASM
80	98-7439	8	Bolt	170	108-7066	2	Bolt-Case, Bearing
90	108-7072	1	Seal-Oil	180	108-7067	1	Metal-Crankshaft (STD)
100	115-8535	1	Main Bearing Case ASM	180	108-7068	1	Metal-Crankshaft (-0.20MM)
110	108-7066	2	Bolt-Case, Bearing	180	108-7069	1	Metal-Crankshaft (-0.40MM)
				190	98-7444	3	Bolt-Case, Bearing



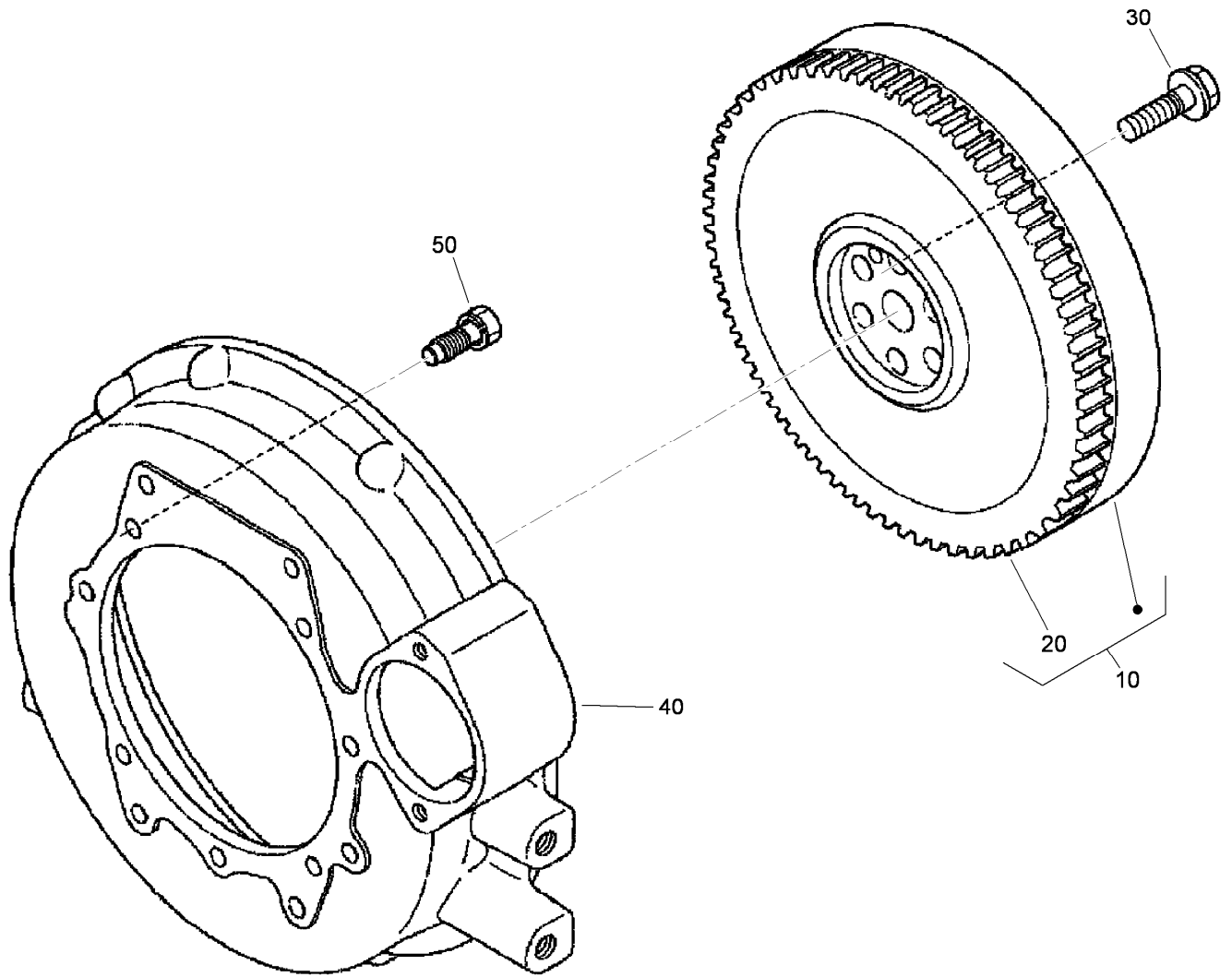
Cam Shaft and Idle Gear Assembly

Ref.	Part Number	Qty.	Description
10	98-7445	8	Tappet
20	115-8537	8	Rod-Push
30	115-8538	1	Camshaft ASM
50	110-3729	1	Ball
60	115-8539	1	Gear-Cam
70	98-7451	1	Key-Feather
80	98-7452	1	Stopper-Camshaft
90	98-7453	2	Bolt
100	107-0109	1	Gear-Idler
110	107-0110	1	Bushing-Gear, Idler
120	107-0111	1	Collar
130	107-0112	1	Circlip-External
140	115-8646	1	Shaft-Gear, Idler
150	98-7453	3	Bolt



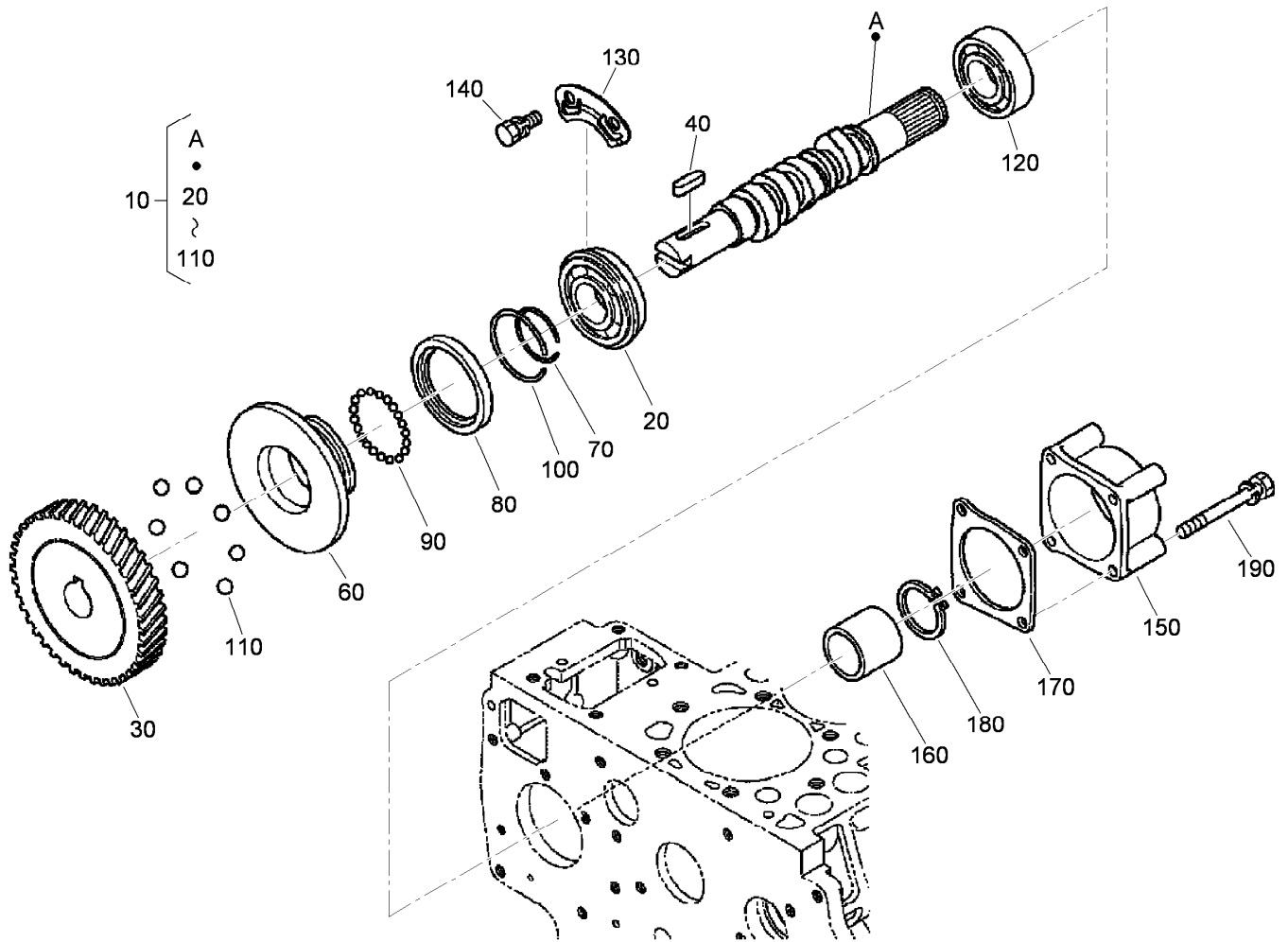
Piston and Crankshaft Assembly

Ref.	Part Number	Qty.	Description	Ref.	Part Number	Qty.	Description
10	115-8540	4	Piston	150	98-7477	1	Collar-Crankshaft
10	115-8541	4	Piston	160	98-7478	1	O-Ring
20	115-8543	1	Piston Ring ASM	170	98-7479	1	Nut-Crankshaft
20	115-8542	4	Piston Ring ASM	180	108-7075	1	Metal-Crankshaft (STD)
30	115-8544	4	Pin-Piston	180	108-7076	1	Metal-Crankshaft (-0.20MM)
40	112-7002	8	Circlip	180	108-7077	1	Metal-Crankshaft (-0.40MM)
50	115-8545	4	Connecting Rod ASM	190	98-7480	1	Seal-Oil
60	115-8546	4	Bushing-Pin, Piston	200	108-7078	2	Metal-Side (STD)
70	98-7468	8	Bolt-Rod, Connecting	200	108-7079	2	Metal-Side (+0.20MM)
80	98-7469	4	Metal-Crankpin (STD)	200	108-7080	2	Metal-Side (+0.40MM)
80	115-8548	4	Metal-Crankpin (-0.40Mm)	210	108-7081	2	Metal-Side (STD)
80	115-8547	4	Metal-Crankpin (-0.20Mm)	210	108-7082	2	Metal-Side (+0.20MM)
90	115-8549	1	*obs* Crankshaft	210	108-7083	2	Metal-Side (+0.40MM)
95	115-8550	1	Pin-Straight	220	115-8553	1	Gear-Drive, Oil Pump
100	110-3729	4	Ball	230	115-8554	1	Engine Metal Kit
110	98-7474	1	Sleeve-Crankshaft	230	115-8555	1	Engine Metal Kit (-0.20Mm/+0.20Mm)
120	115-8551	1	Gear-Crank	230	115-8556	1	Engine Metal Kit (-0.40Mm/+0.40Mm)
130	115-8552	1	Key-Feather				
140	98-7476	1	Slinger-Oil				



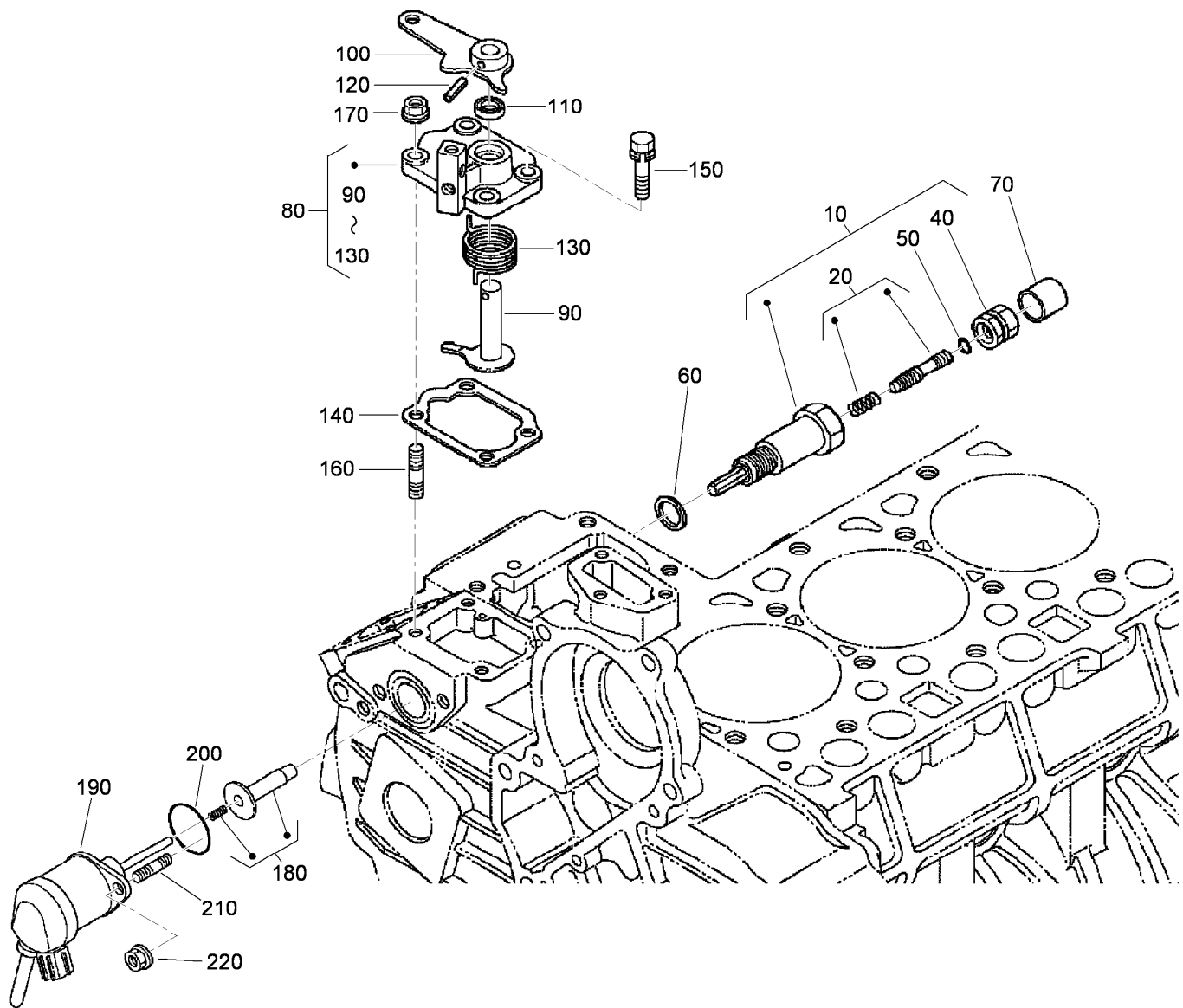
Flywheel Assembly

<i>Ref.</i>	<i>Part Number</i>	<i>Qty.</i>	<i>Description</i>
10	115-8557	1	Flywheel ASM
20	115-8558	1	Gear-Ring
30	112-8408	6	Bolt-Flywheel
40	115-8559	1	Housing-Flywheel
50	98-7885	11	Bolt



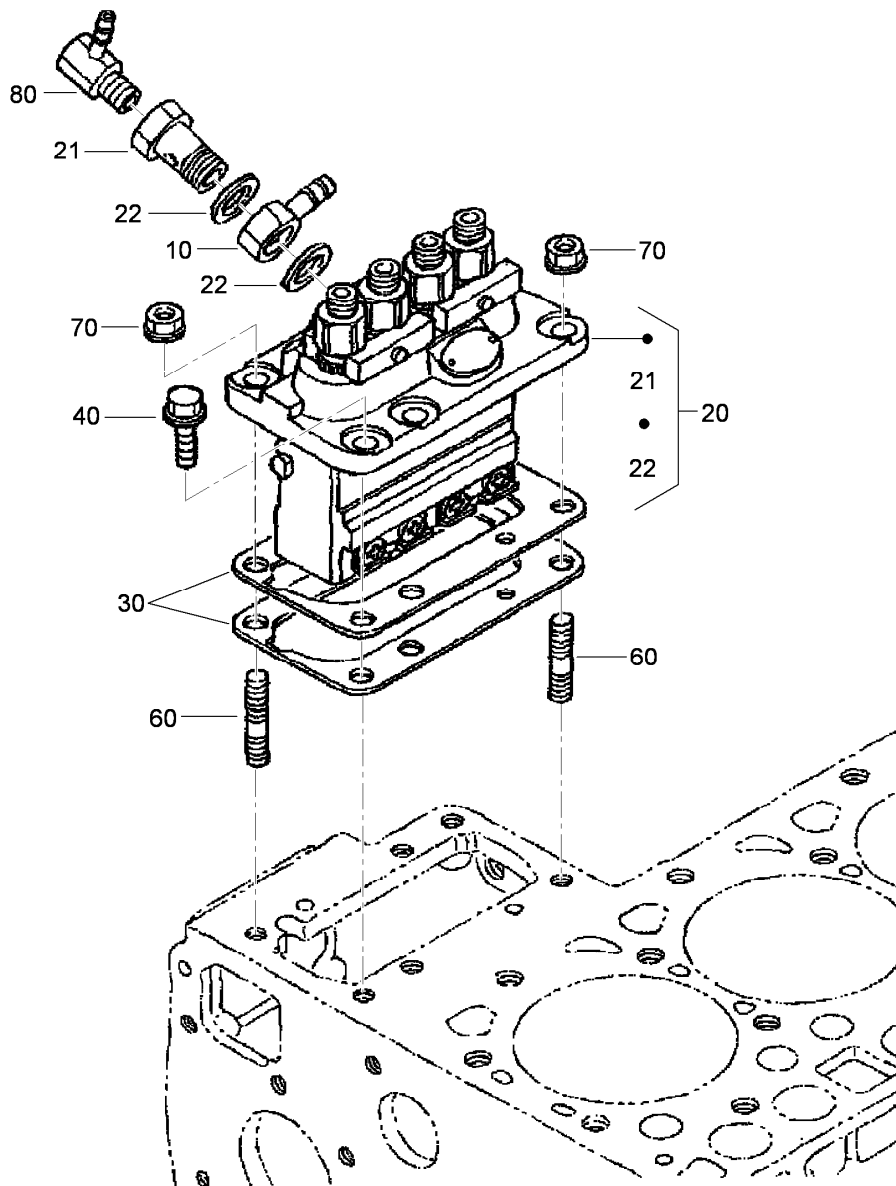
Fuel Camshaft and Governor Shaft Assembly

<i>Ref.</i>	<i>Part Number</i>	<i>Qty.</i>	<i>Description</i>	<i>Ref.</i>	<i>Part Number</i>	<i>Qty.</i>	<i>Description</i>
10	115-8560	1	Fuel Camshaft ASM	110	98-7582	7	Ball
20	115-8561	1	Bearing-Ball	120	115-8562	1	Bearing-Ball
30	98-7574	1	Gear-Pump, Injection	130	115-8563	1	Stopper-Fuel Camshaft
40	98-7575	1	Key-Feather	140	100-9195	2	Bolt
60	98-7577	1	Sleeve-Governor	150	115-8564	1	Cover-Camshaft, Fuel
70	98-7578	1	Circlip-Sleeve, Governor	160	115-8565	1	Collar
80	98-7579	1	Case-Ball, Governor	170	115-8566	1	Gasket
90	98-7580	39	Ball	180	98-7589	1	Circlip-External
100	98-7581	1	Circlip	190	98-7590	4	Bolt



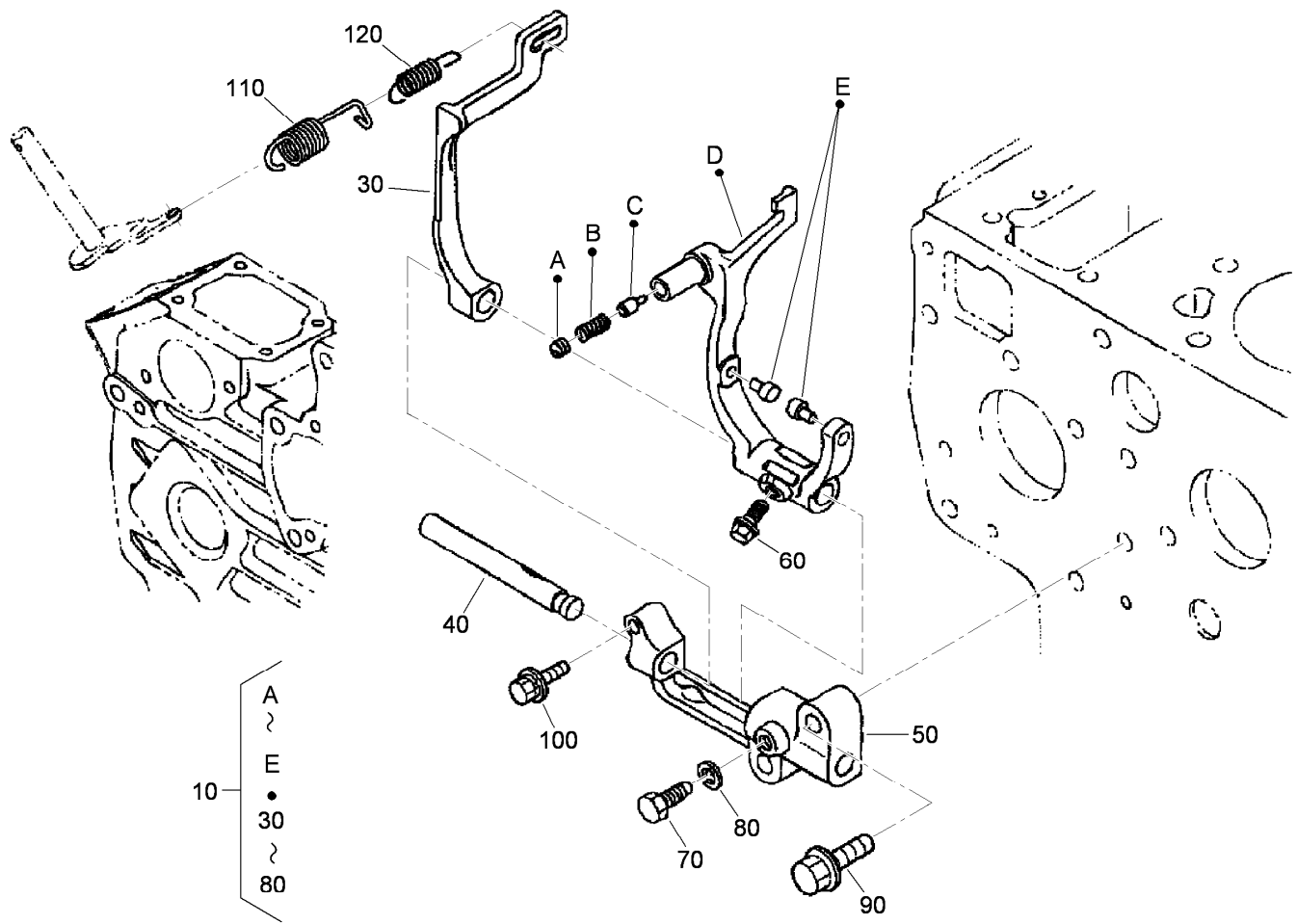
Idle Apparatus and Stop Solenoid Assembly

<i>Ref.</i>	<i>Part Number</i>	<i>Qty.</i>	<i>Description</i>	<i>Ref.</i>	<i>Part Number</i>	<i>Qty.</i>	<i>Description</i>
10	115-8567	1	Apparatus-Idling	130	115-8593	1	Spring-Return
20	115-8568	1	Adjustment Bolt ASM	140	115-8578	1	Gasket-Plate
40	115-8569	1	Nut-Spring	150	98-7568	2	Bolt
50	115-8570	1	O-Ring	160	98-7571	2	Stud
60	115-8571	1	Gasket	170	100-2203	2	Nut-Flange
70	115-8572	1	Cap	180	115-8579	1	Guide-Solenoid
80	115-8573	1	Engine Stop Lever ASM	190	115-8580	1	Solenoid ASM
90	115-8574	1	Lever-Stop	200	110-3762	1	O-Ring
100	115-8575	1	Lever-Stop, Engine	210	98-7571	2	Stud
110	115-8576	1	Seal-Oil	220	100-2203	2	Nut-Flange
120	98-7602	1	Pin-Spring				



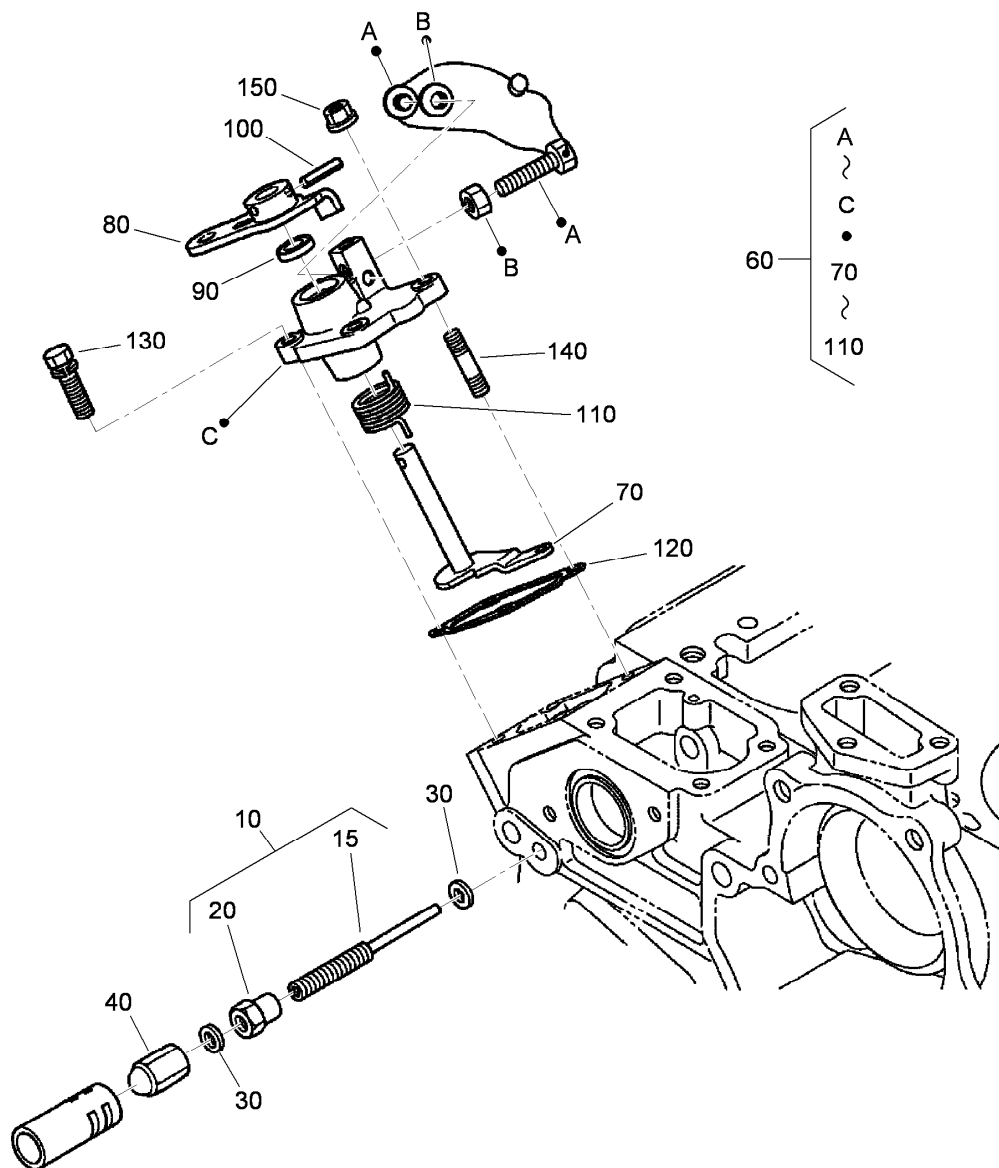
Injection Pump Assembly

Ref.	Part Number	Qty.	Description
10	98-7617	1	Joint
20	115-8581	1	Injection Pump ASM
21	98-7635	1	Screw
22	98-7636	2	Gasket
30	115-8582	1	Shim-Pump, Injection (0.175Mm)
30	98-7607	1	Shim-Pump, Injection (0.200Mm)
30	107-0147	1	Shim-Pump, Injection (0.250Mm)
30	107-0148	1	Shim-Pump, Injection (0.300Mm)
40	115-8583	4	Bolt-Flange
60	100-1558	2	Stud-Manifold, Exhaust
70	112-2492	2	Nut-Flange
80	107-4300	1	Orifice ASM



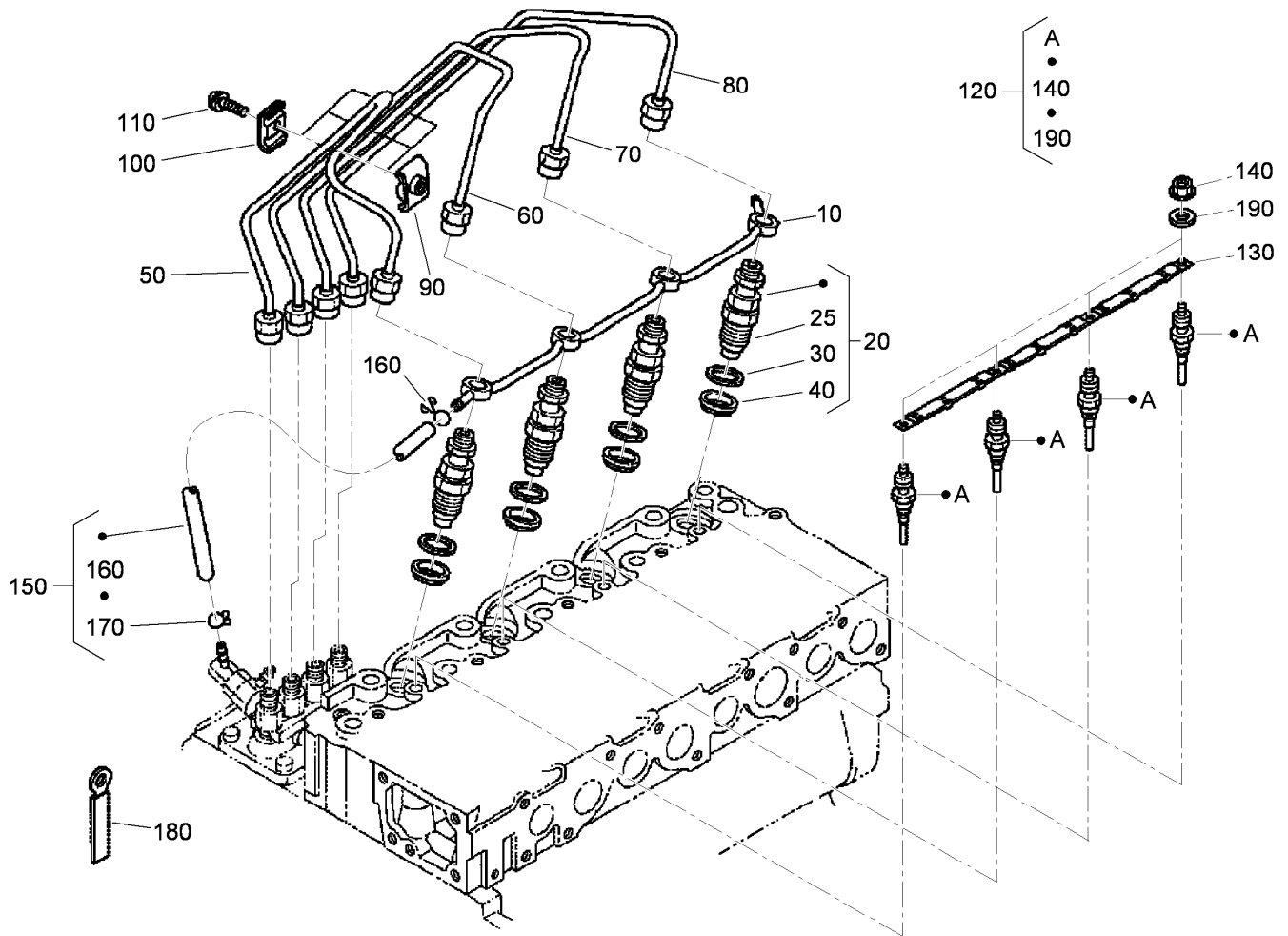
Governor Assembly

<i>Ref.</i>	<i>Part Number</i>	<i>Qty.</i>	<i>Description</i>
10	115-8584	1	Fork Lever ASM
30	115-8585	1	Lever-Fork
40	107-0120	1	Shaft-Lever, Fork
50	98-7643	1	Holder-Lever, Fork
60	107-0116	1	Bolt-Flange
70	98-7644	1	Bolt
80	98-9367	1	Washer-Spring
90	108-7085	2	Bolt-Flange
100	108-7086	1	Bolt
110	115-8586	1	Spring-Governor
120	115-8587	1	Spring-Governor



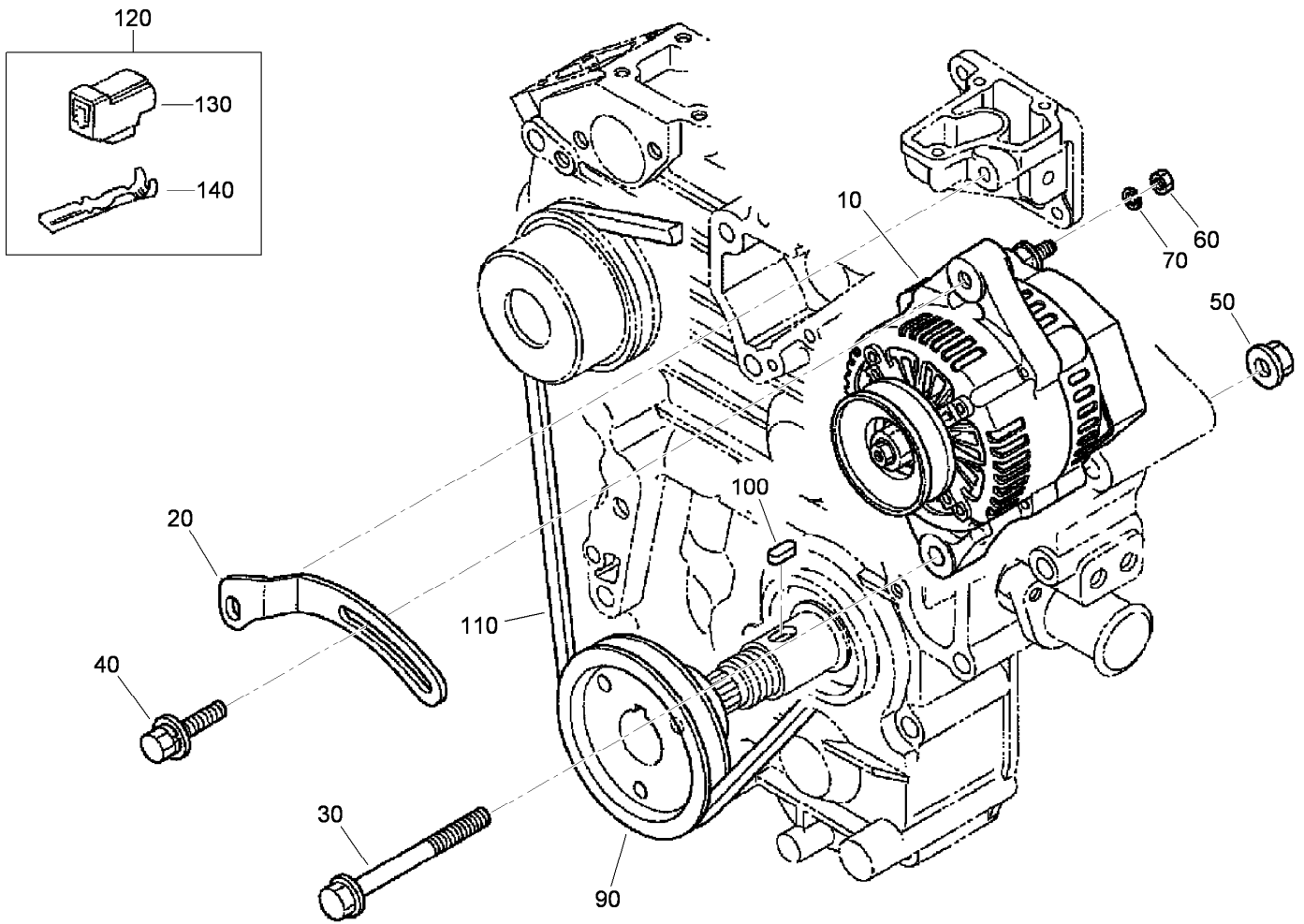
Speed Control Plate Assembly

Ref.	Part Number	Qty.	Description
10	107-0132	1	Adjustable Bolt ASM
15	115-8588	1	Bolt-Adjusting
20	98-7653	1	Nut
30	98-7654	2	Gasket
40	98-7655	1	Nut-Cap
60	115-8589	1	Control Plate ASM
70	115-8590	1	Lever-Governor
80	115-8591	1	Lever-Control, Speed
90	115-8576	1	Seal-Oil
100	98-7602	1	Pin-Spring
110	115-8593	1	Spring-Return
120	115-8578	1	Gasket-Plate
130	98-7568	2	Bolt
140	98-7571	2	Stud
150	100-2203	2	Nut-Flange



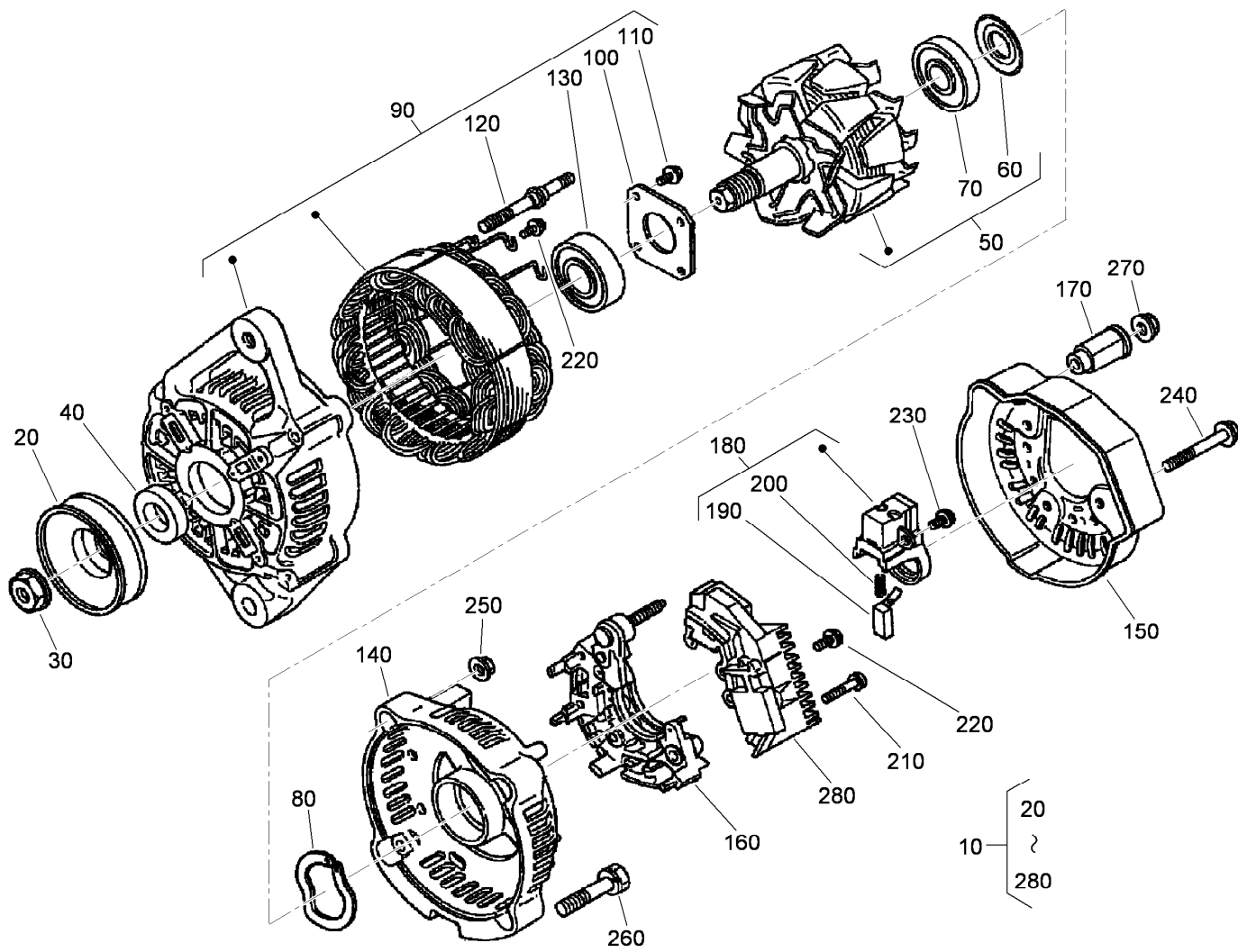
Nozzle Holder and Glow Plug Assembly

Ref.	Part Number	Qty.	Description	Ref.	Part Number	Qty.	Description
10	100-9213	1	Overflow Pipe ASM	100	98-7683	3	Clamp-Pipe
20	100-9214	4	Nozzle Holder Kit	110	98-9364	3	Screw (With Washer)
25	100-9215	4	Piece-Nozzle	120	98-7685	4	Plug-Glow
30	98-7676	4	Gasket	130	98-7686	1	Cord-Plug, Glow
40	98-7677	4	Seal-Heat	140	99-8377	4	Nut-Flange
50	100-9216	1	Pipe-Injection	150	98-7670	1	Overflow Pipe ASM
60	100-9217	1	Pipe-Injection	160	98-7671	1	Clip-Pipe
70	100-9218	1	Pipe-Injection	170	115-8595	1	Clip-Pipe
80	100-9219	1	Pipe-Injection	180	98-7673	1	Clamp-Cord
90	98-7682	3	Clamp-Pipe	190	99-8378	4	Washer-Plain



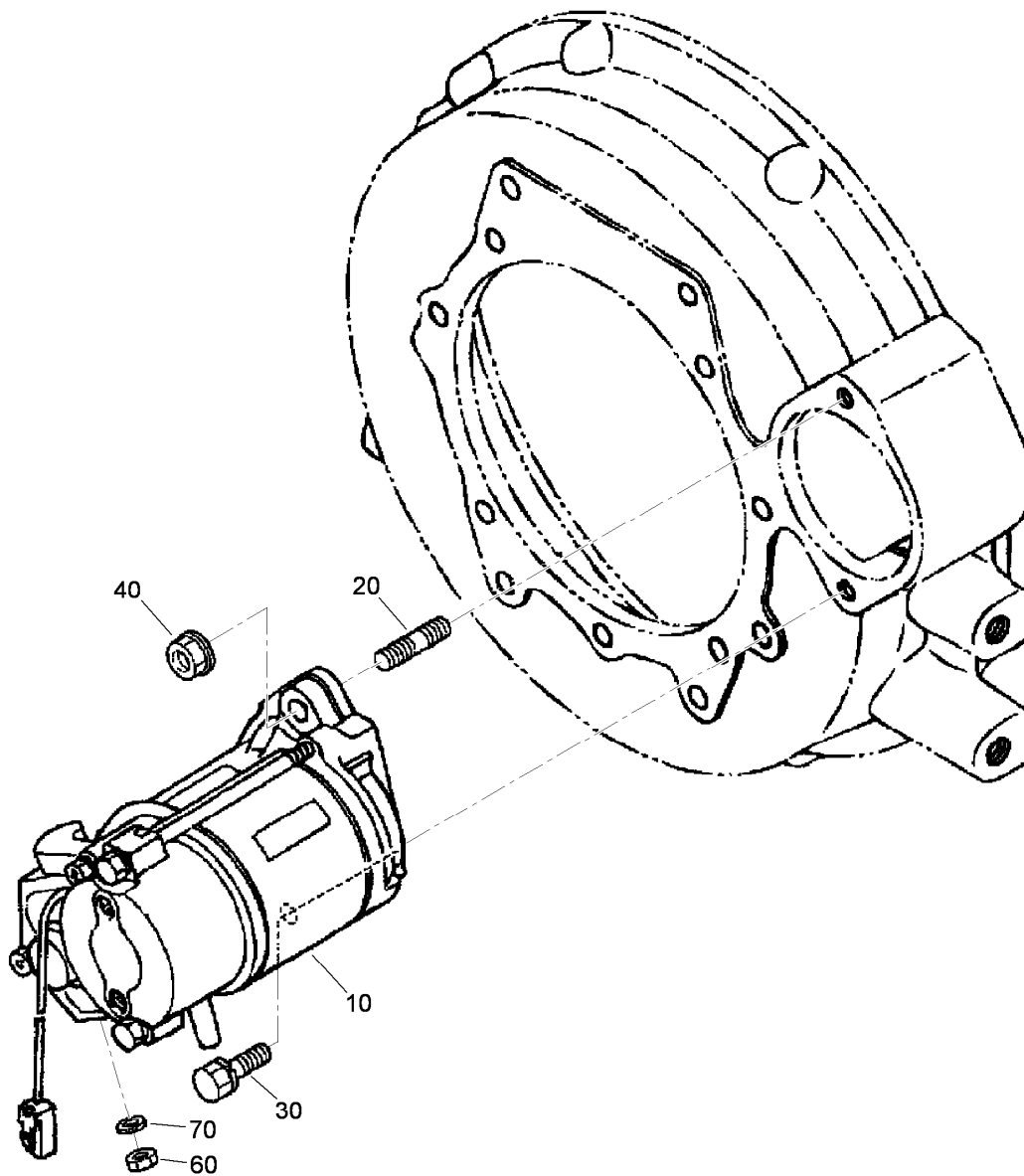
Alternator and Pulley Assembly

<i>Ref.</i>	<i>Part Number</i>	<i>Qty.</i>	<i>Description</i>
10	98-7693	1	Alternator ASM
20	105-2872	1	Bracket-Alternator
30	115-8596	1	Bolt-Flange
40	108-7088	1	Bolt
50	115-8597	1	Nut-Flange
60	98-7572	1	Nut
70	98-7699	1	Washer-Spring
90	115-8598	1	Pulley-Drive, Fan
100	98-7451	1	Key-Feather
110	115-8599	1	Belt-V
120	115-8600	1	Coupler ASM
130	115-8601	1	Connector
140	115-8602	2	Terminal



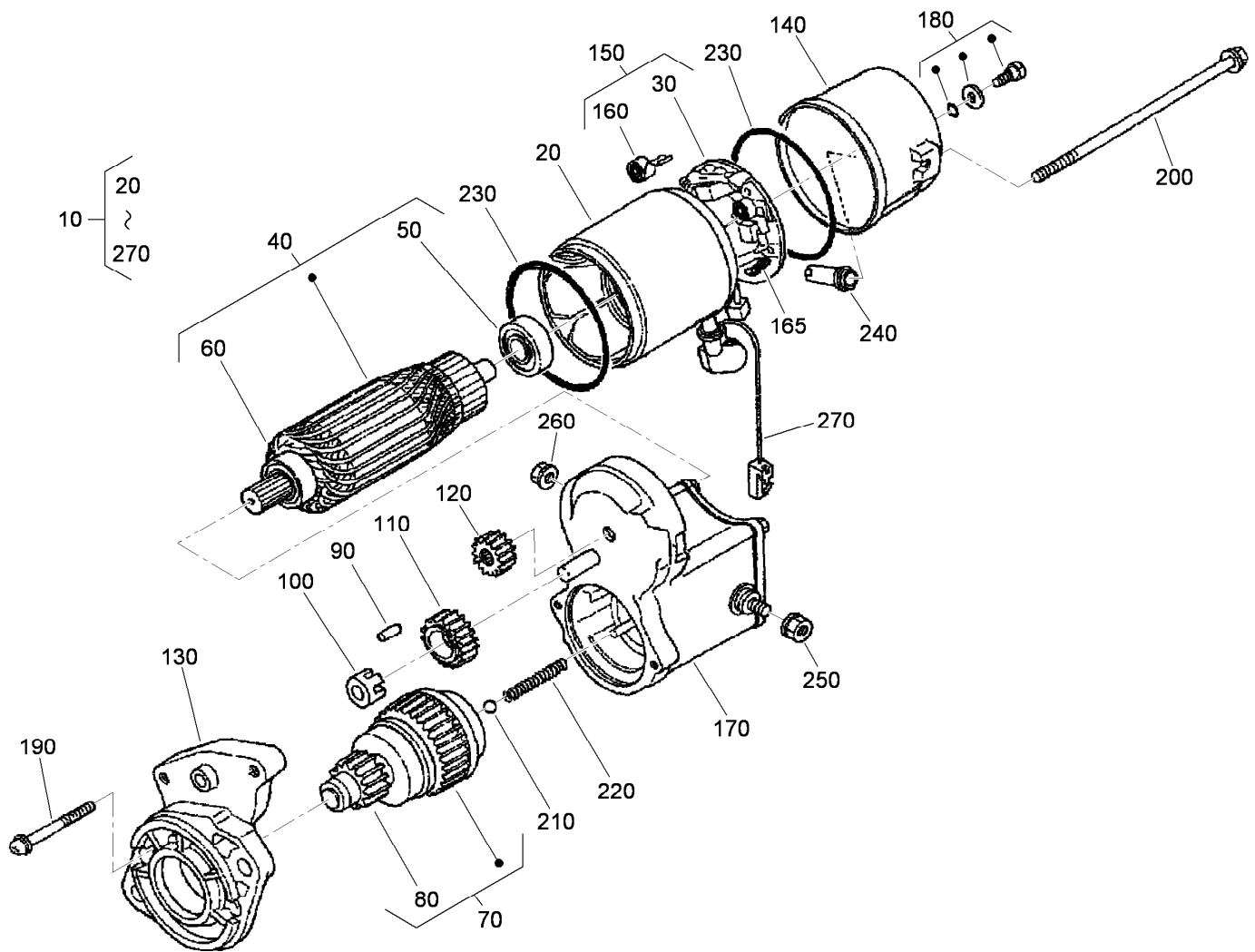
Alternator Component Part Assembly

Ref.	Part Number	Qty.	Description	Ref.	Part Number	Qty.	Description
10	98-7693	1	Alternator ASM	150	107-0140	1	Cover-End
20	98-7707	1	Pulley-Alternator	160	98-7721	1	Rectifier ASM
30	98-7708	1	Nut	170	98-7722	1	Bushing-Insulation
40	98-7709	1	Collar	180	107-0141	1	Brush Holder ASM
50	107-0136	1	Rotor ASM	190	98-7724	2	Brush
60	98-7711	1	Cover-Bearing	200	98-7725	2	Spring-Brush
70	107-0138	1	Bearing-Ball	210	98-7726	2	Screw-Head, Round
80	98-7713	1	Washer-Thrust	220	98-7727	6	Screw-Head, Round
90	107-0139	1	Drive End Frame ASM	230	98-7728	1	Screw-Head, Round
100	98-7715	1	Plate-Retainer	240	98-7729	3	Bolt
110	98-7716	4	Screw-Head, Round	250	98-7730	2	Nut
120	98-7717	2	Bolt-Through	260	98-7731	2	Bolt
130	107-0137	1	Bearing-Ball	270	98-7732	1	Nut
140	98-7719	1	Frame-End	280	110-3799	1	Regulator ASM



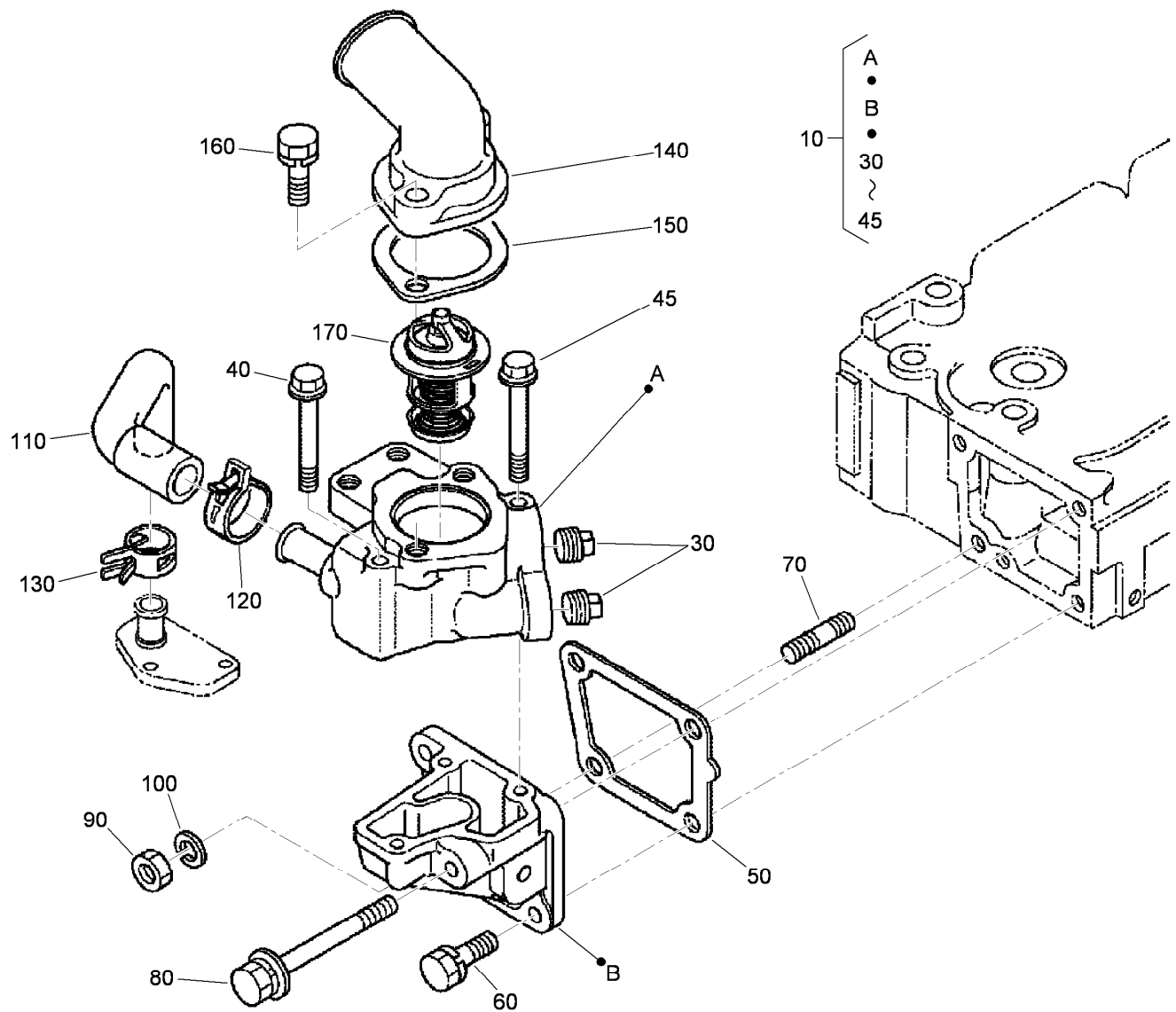
Starter Assembly

<i>Ref.</i>	<i>Part Number</i>	<i>Qty.</i>	<i>Description</i>
10	115-8603	1	Starter ASM
20	98-7735	1	Stud
30	98-7736	1	Bolt
40	115-8597	1	Nut-Flange
60	98-7739	1	Nut
70	105-2893	1	Washer-Spring



Starter Components Assembly

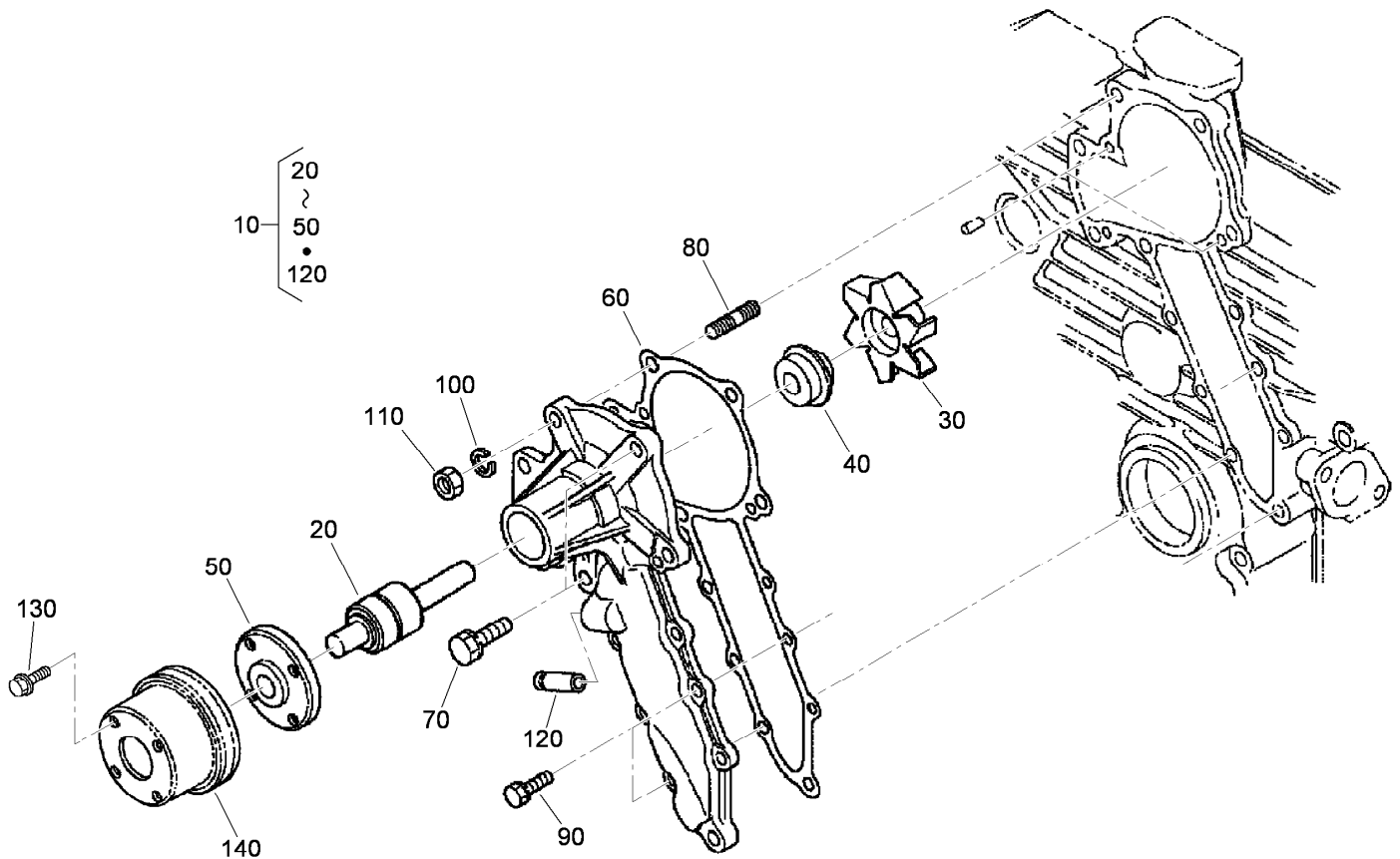
<i>Ref.</i>	<i>Part Number</i>	<i>Qty.</i>	<i>Description</i>	<i>Ref.</i>	<i>Part Number</i>	<i>Qty.</i>	<i>Description</i>
10	115-8603	1	Starter ASM	150	115-8612	1	Holder-Brush
20	115-8604	1	Yoke	160	115-8613	4	Spring
30	115-8605	1	Brush Kit	165	115-8614	4	Spring-Brush
40	115-8606	1	Armature	170	115-8615	1	Magnetic Switch ASM
50	115-8607	1	Bearing	180	115-8616	2	Screw
60	98-7744	1	Bearing	190	115-8617	2	Screw
70	115-8608	1	Clutch-Running, Over	200	115-8618	2	Bolt-Thru
80	112-2833	1	Gear-Pinion	210	98-7755	1	Ball
90	98-9707	5	Roller	220	98-7754	1	Spring
100	98-7752	1	Retainer	230	98-7757	2	O-Ring
110	98-7751	1	Gear	240	115-8619	1	Pipe-Drain
120	115-8609	1	Gear	250	98-7760	1	Nut-Hex
130	115-8610	1	Frame-End, Drive	260	99-8376	1	Nut-Hex
140	115-8611	1	Frame-End	270	98-9711	1	Cord-Solenoid, Stop



Water Flange and Thermostat Assembly

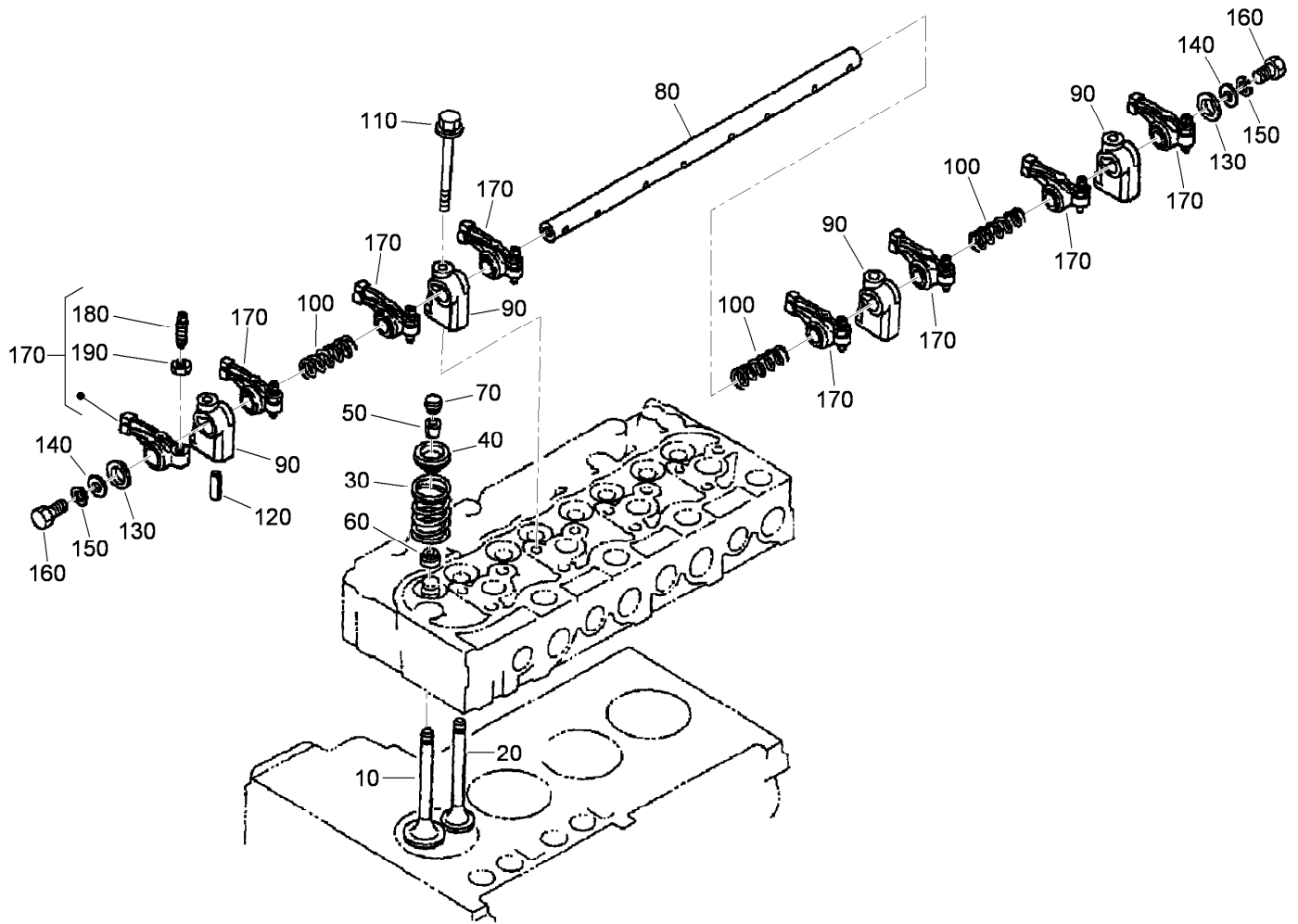
<i>Ref.</i>	<i>Part Number</i>	<i>Qty.</i>	<i>Description</i>
10	105-4578	1	Water Flange ASM
30	105-2874	2	Plug
40	105-2875	2	Bolt-Flange
45	107-0117	1	Bolt-Flange
50	98-7767	1	Gasket-Flange, Water
60	98-9359	2	Bolt
70	100-1558	1	Stud-Manifold, Exhaust
80	107-0115	1	Bolt
90	98-7534	1	Nut

<i>Ref.</i>	<i>Part Number</i>	<i>Qty.</i>	<i>Description</i>
100	105-2893	1	Washer-Spring
110	115-8620	1	Pipe-Return, Water
120	115-8621	1	Clamp-Hose
130	105-2879	1	Clamp-Hose
140	100-9244	1	Cover-Thermostat
150	105-3748	1	Gasket-Thermostat
160	98-7777	2	Bolt
170	105-2881	1	Thermostat ASM



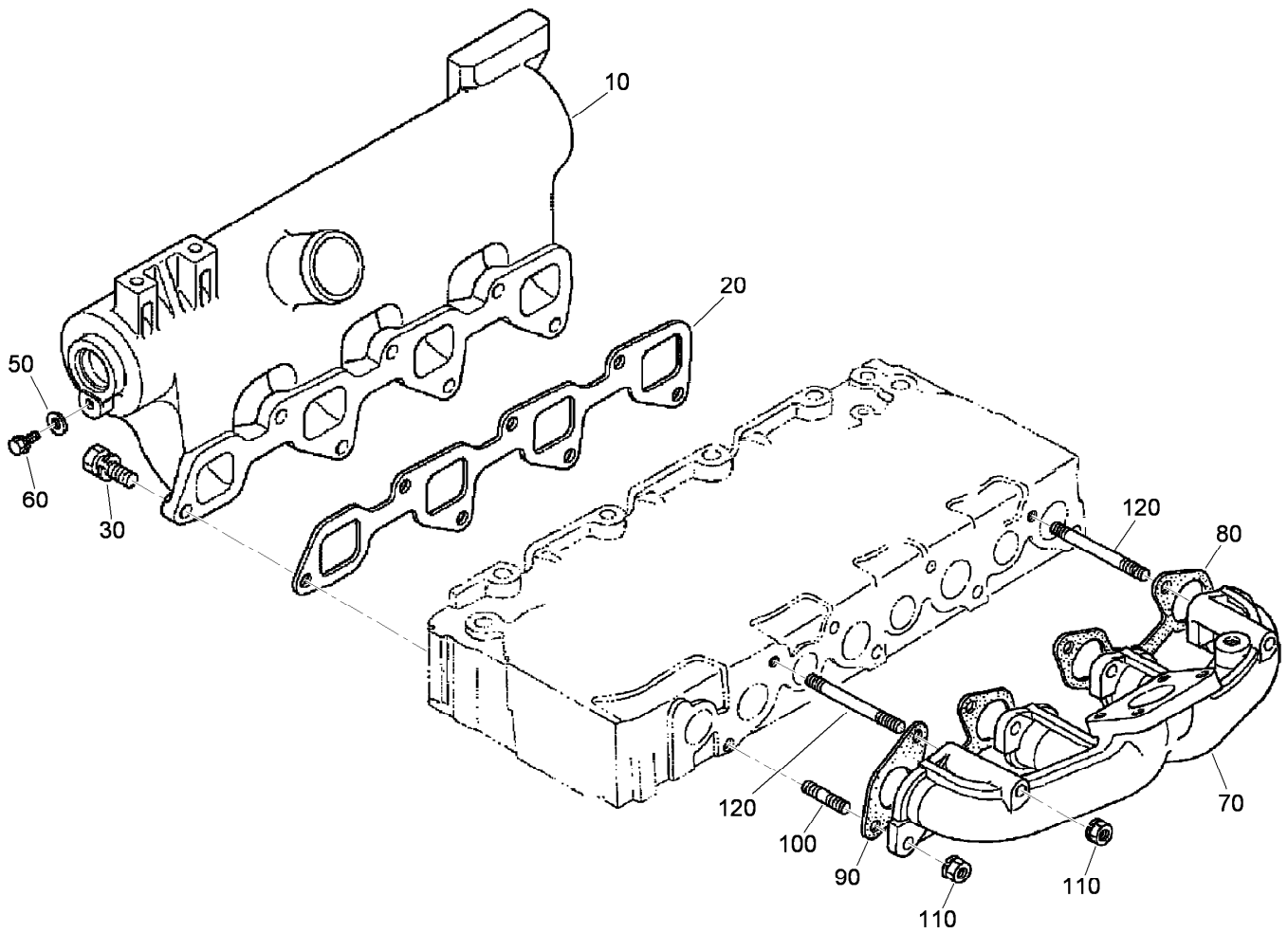
Water Pump Assembly

<i>Ref.</i>	<i>Part Number</i>	<i>Qty.</i>	<i>Description</i>
10	115-8622	1	Water Pump ASM
20	98-7780	1	Bearing-Ball
30	107-0130	1	Impeller-Pump, Water
40	105-2882	1	Mechanical Seal ASM
50	108-7089	1	Flange-Shaft, Water Pump
60	115-8624	1	Gasket-Pump, Water
70	98-7439	2	Bolt
80	108-7090	1	Stud
90	98-7605	6	Bolt
100	105-2893	1	Washer-Spring
110	98-7534	1	Nut
120	98-9580	1	Pipe-Return, Water
130	107-4317	4	Bolt-Flange
140	115-8625	1	Pulley-Fan



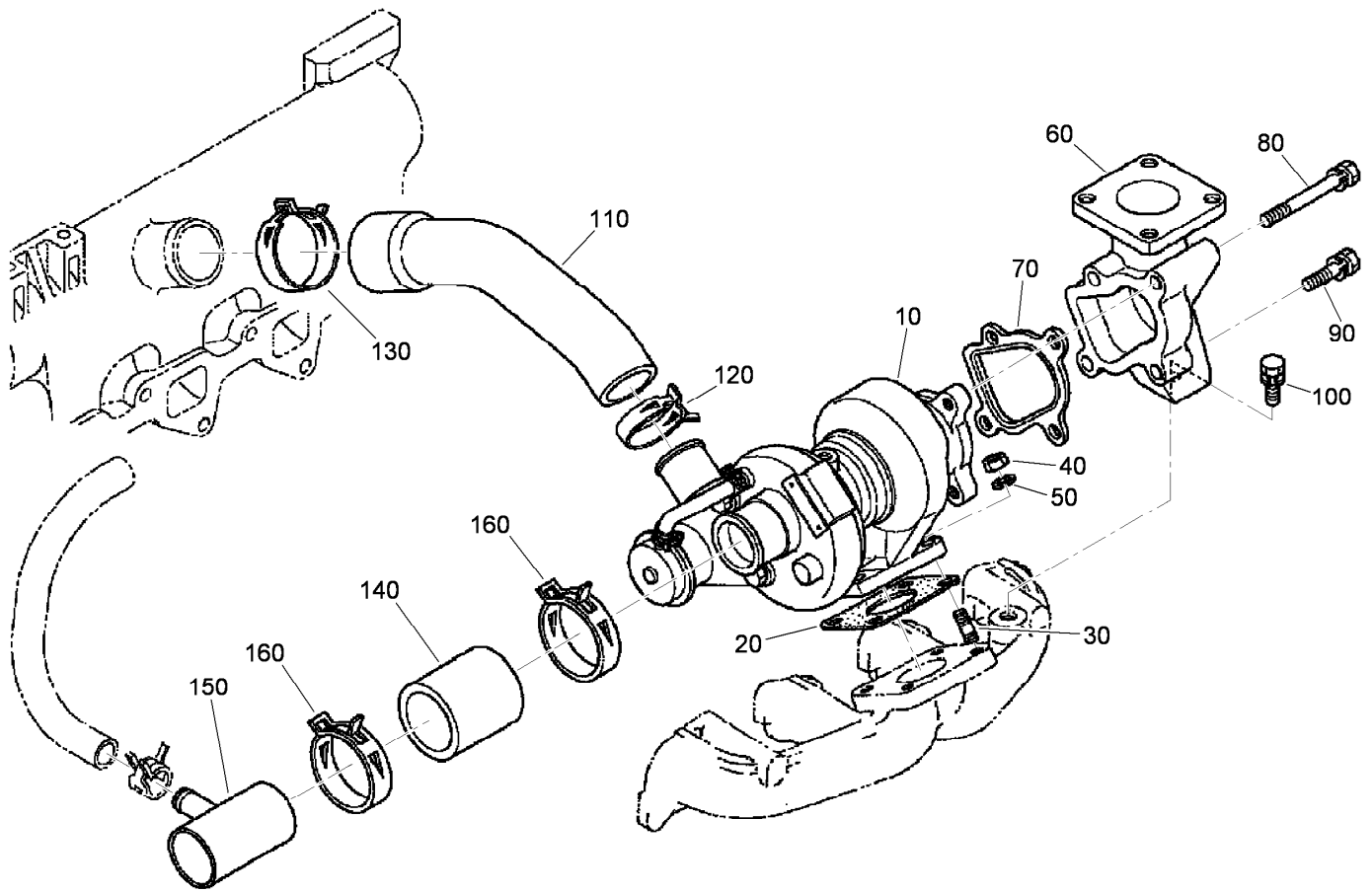
Valve and Rocker Arm Assembly

<i>Ref.</i>	<i>Part Number</i>	<i>Qty.</i>	<i>Description</i>	<i>Ref.</i>	<i>Part Number</i>	<i>Qty.</i>	<i>Description</i>
10	115-8626	4	Valve-Inlet	110	108-7091	4	Bolt-Flange
20	114-5099	4	Valve-Exhaust	120	98-7805	1	Pin-Spring
30	98-7793	8	Spring-Valve	130	98-7806	2	Washer
40	98-7794	8	Retainer-Spring, Valve	140	98-7660	2	Washer-Plain
50	98-7795	8	Collet-Spring, Valve	150	105-2893	2	Washer-Spring
60	98-7796	8	Seal-Stem, Valve	160	98-7884	2	Bolt
70	98-7797	8	Cap-Valve	170	98-7809	8	Rocker Arm ASM
80	107-0134	1	Shaft-Arm, Rocker	180	98-7810	8	Screw-Adjusting
90	98-7800	4	Bracket-Arm, Rocker	190	98-7811	8	Nut
100	98-7807	3	Spring-Arm, Rocker				



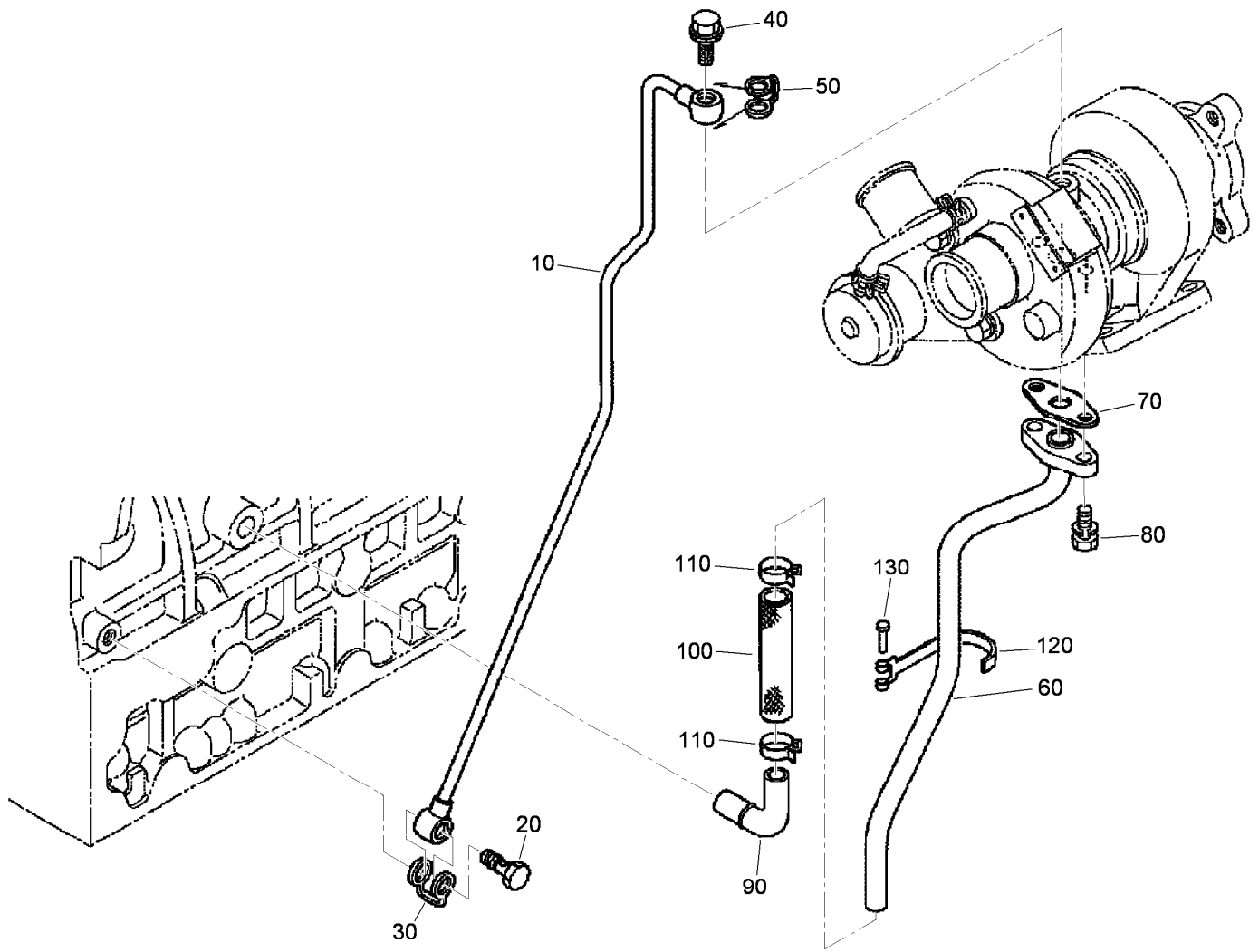
Inlet and Exhaust Manifold Assembly

<i>Ref.</i>	<i>Part Number</i>	<i>Qty.</i>	<i>Description</i>
10	115-8627	1	Manifold-Inlet
20	100-9284	1	Gasket-Manifold, Intake
30	98-7610	1	Bolt
50	98-7654	1	Gasket
60	107-4317	1	Bolt-Flange
70	108-7092	1	Manifold-Exhaust
80	98-7802	1	Gasket
90	98-7803	1	Gasket
100	100-1558	6	Stud-Manifold, Exhaust
110	100-9288	8	Nut
120	100-9289	2	Stud



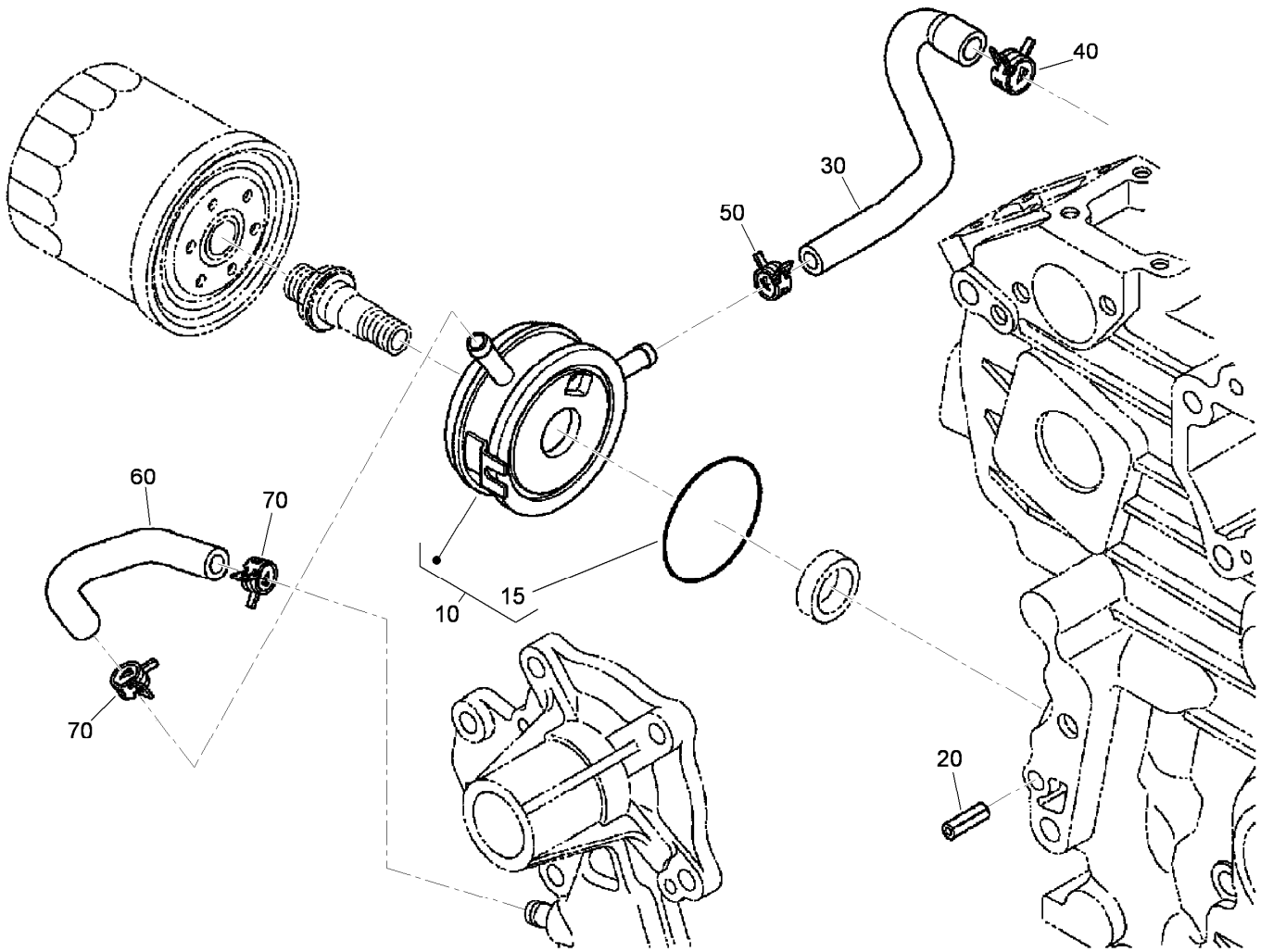
Turbo Charger Assembly

<i>Ref.</i>	<i>Part Number</i>	<i>Qty.</i>	<i>Description</i>	<i>Ref.</i>	<i>Part Number</i>	<i>Qty.</i>	<i>Description</i>
10	115-8628	1	Turbo Charger ASM	90	98-7777	2	Bolt
20	100-9314	1	Gasket	100	115-8629	1	Bolt
30	99-8342	4	Stud	110	115-8630	1	Hose-Inlet
40	98-7534	4	Nut	120	100-9319	1	Band-Pipe
50	105-2893	4	Washer-Spring	130	99-8322	1	Band-Pipe
60	108-7094	1	Flange-Muffler	140	115-8631	1	Tube-Inlet, Turbo
70	100-9316	1	Gasket	150	115-8632	1	Pipe-Breather, Inlet
80	98-7590	2	Bolt	160	99-8322	2	Band-Pipe



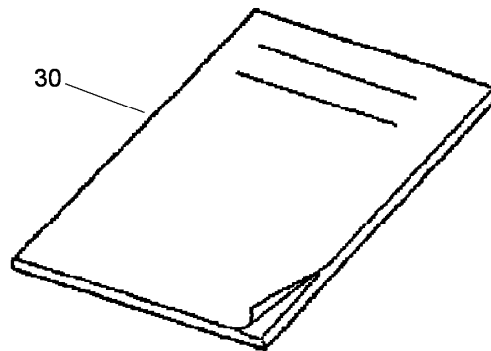
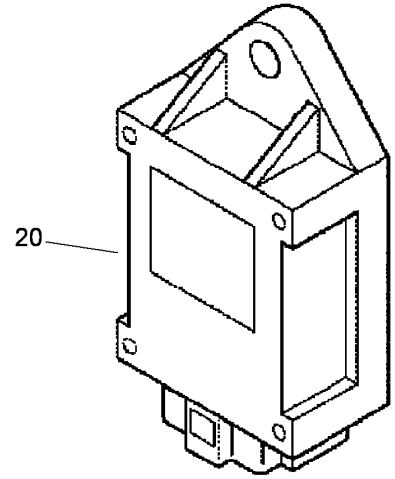
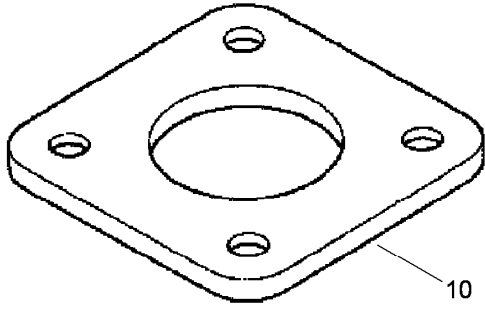
Oil Pipe (Turbo Charger) Assembly

Ref.	Part Number	Qty.	Description
10	115-8633	1	Pipe-Oil
20	100-9321	1	Bolt-Joint, Eye
30	115-8634	1	Gasket
40	115-4126	1	Bolt-Joint, Eye
50	115-8635	1	Gasket
60	115-8636	1	Pipe-Oil
70	108-4422	1	Gasket
80	98-7605	2	Bolt
90	100-9323	1	Pipe-Oil
100	108-7095	1	Tube-Oil
110	98-9714	2	Clamp-Hose
120	108-7096	1	Clamp-Pipe
130	98-9591	1	Pin-Band



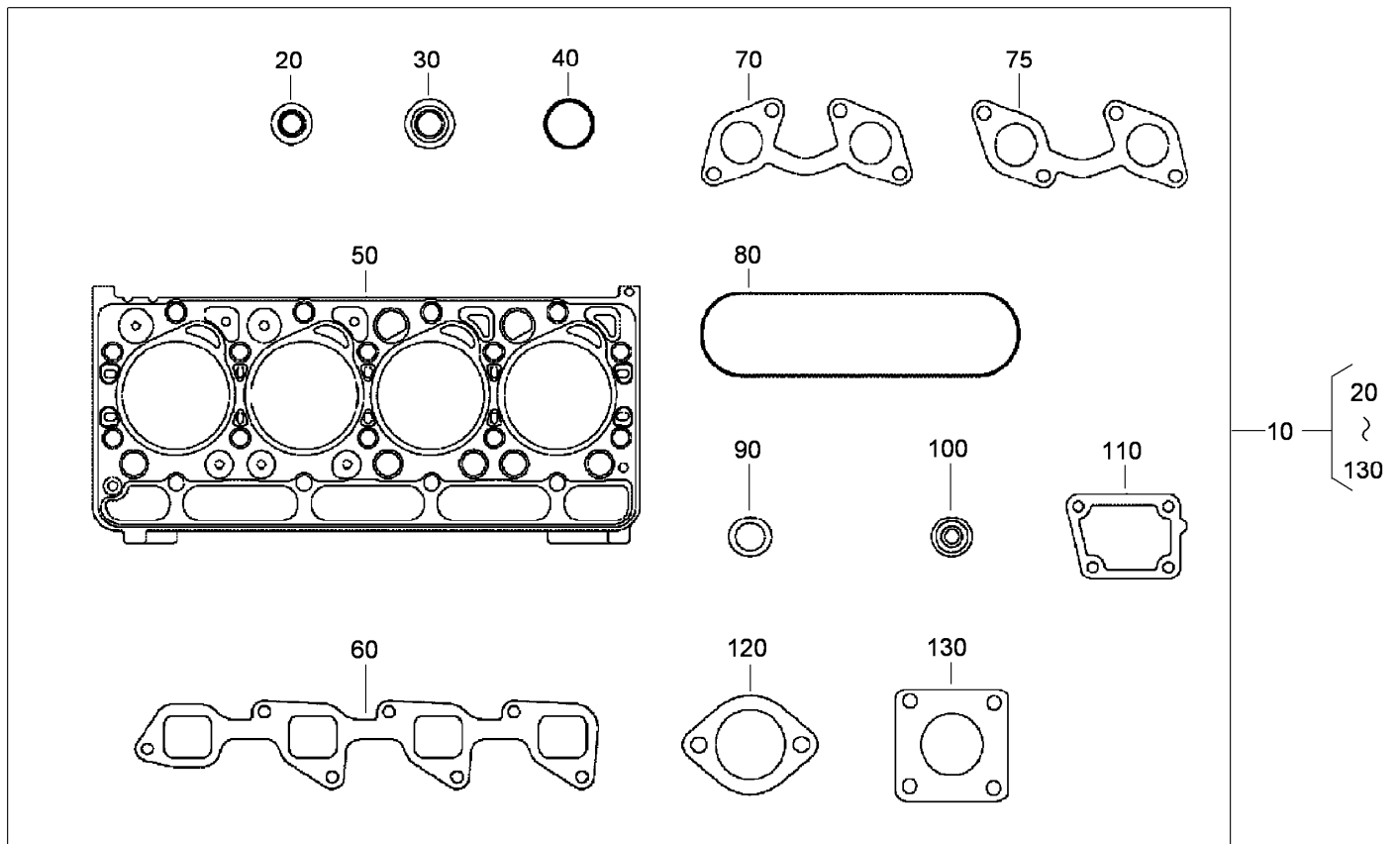
Oil Cooler Assembly

Ref.	Part Number	Qty.	Description
10	115-8637	1	Oil Cooler ASM
15	115-8638	1	O-Ring
20	115-8639	1	Pin-Spring
30	115-8640	1	Hose-Cooler, Oil
40	105-2879	1	Clamp-Hose
50	98-9579	1	Band-Pipe
60	115-8641	1	Hose-Cooler, Oil
70	98-9579	2	Band-Pipe



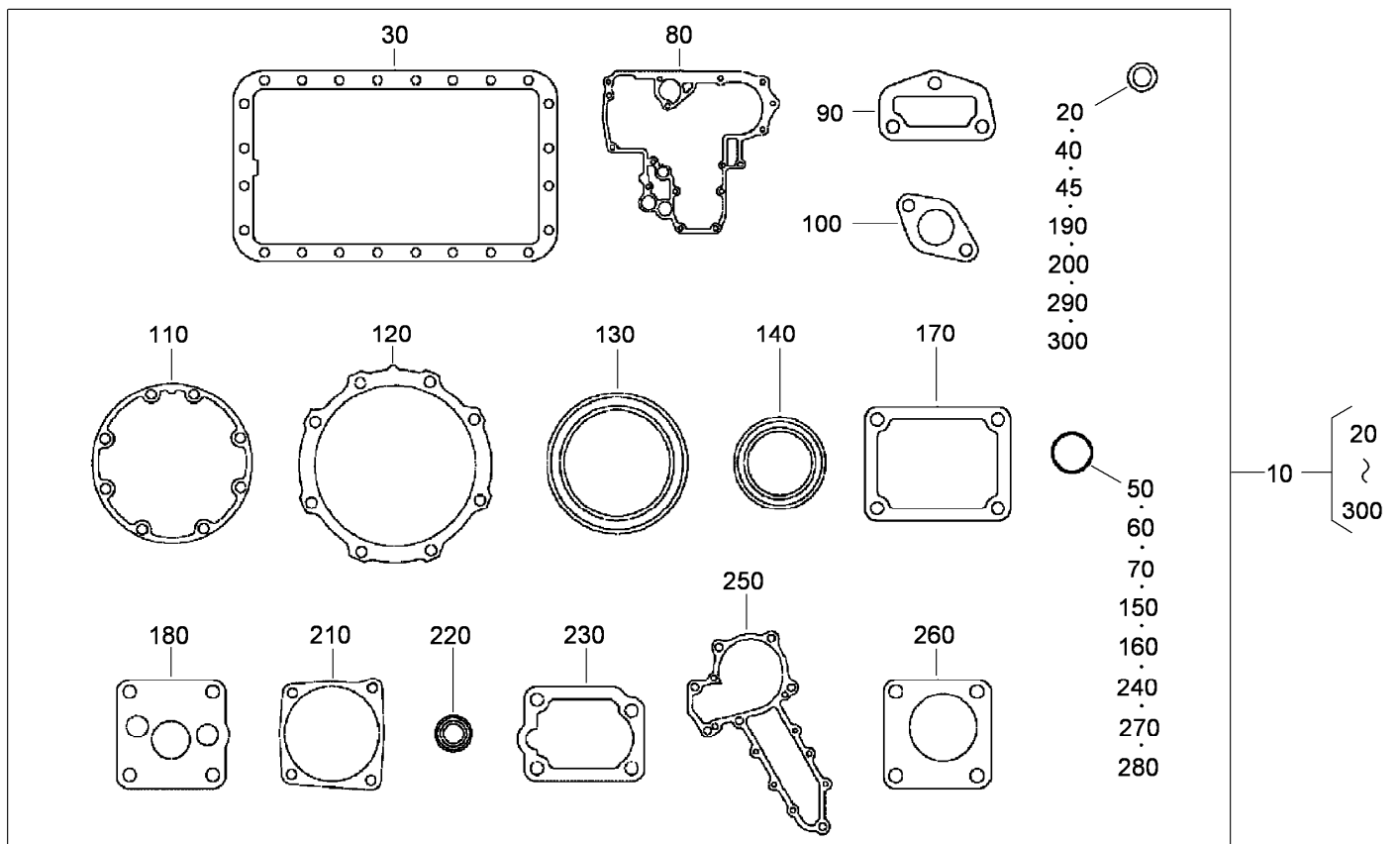
Muffler Gasket, Glow Controller and Operator Manual

<i>Ref.</i>	<i>Part Number</i>	<i>Qty.</i>	<i>Description</i>
10	100-9333	1	Gasket-Muffler
20	98-7611	1	Controller-Glow
30	115-8642	1	Manual-Operator



Upper Gasket Kit

Ref.	Part Number	Qty.	Description
10	115-8643	1	Upper Gasket Kit
20	98-7763	1	Washer-W/Rubber
30	98-7796	8	Seal-Stem, Valve
40	108-7064	1	O-Ring
50	115-8509	1	Gasket-Head, Cylinder (1.20Mm)
60	100-9284	1	Gasket-Manifold, Intake
70	98-7803	1	Gasket
75	98-7802	1	Gasket
80	108-7062	1	Gasket-Cover, Head
90	98-7676	4	Gasket
100	98-7677	4	Seal-Heat
110	98-7767	1	Gasket-Flange, Water
120	105-3748	1	Gasket-Thermostat
130	100-9333	1	Gasket-Muffler



Lower Gasket Kit

<i>Ref.</i>	<i>Part Number</i>	<i>Qty.</i>	<i>Description</i>	<i>Ref.</i>	<i>Part Number</i>	<i>Qty.</i>	<i>Description</i>
10	115-8644	1	Lower Gasket Kit	150	98-7478	1	O-Ring
20	98-7524	1	Gasket	160	108-7054	1	O-Ring
30	108-7053	1	Gasket-Pan, Oil	170	98-7604	1	Gasket-Cover, Pump
40	98-7528	1	O Ring-Copper	180	115-8648	1	Gasket-Pump, Oil
45	98-9399	2	Gasket	190	98-7654	2	Gasket
50	107-0104	1	O-Ring	200	98-7636	2	Gasket
60	115-8514	2	O-Ring	210	115-8566	1	Gasket
70	107-0106	1	O-Ring	220	115-8576	2	Seal-Oil
80	115-8516	1	Gasket-Case, Gear	230	115-8578	2	Gasket-Plate
90	115-8521	1	Gasket-Flange, Return	240	110-3762	1	O-Ring
100	115-8645	1	Gasket-Pump, Fuel	250	115-8624	1	Gasket-Pump, Water
110	98-7435	1	Gasket-Case, Bearing	260	115-8522	1	Gasket-Meter, Hour
120	98-7437	1	Gasket-Case Cover, Bearing	270	115-8649	1	O-Ring
130	108-7072	1	Seal-Oil	280	115-8570	1	O-Ring
140	98-7480	1	Seal-Oil	290	115-8571	1	Gasket
				300	98-7428	1	Gasket

Attachments and Accessories

For 30448 Groundsmaster 4000-D Rotary Mower

Product Name	Model/Part
Bumper ASM	106-4278-03
Blade-Atomic (21.75in)	107-0214-03
Premium All Season Hydraulic Fluid (55 Gallon Drum)	108-1177
Premium All Season Hydraulic Fluid (5 Gallon Pail)	108-1178
Atomic Blade Service Pack (7 Pack)	108-1450
Blade-Flat Sail (21.75in)	110-6115-03
Flat Blade Service Pack (7 Pack)	110-6130
90 Amp Alternator Kit	115-8473
Accessory Wiring Kit	115-8492
MVP Blade Kit	117-2722
Vinyl Backrest Extension Kit	119-7718
Beacon Kit	119-8328
Horn Kit	119-8329
Slow-Moving Vehicle Sign Kit	120-0476
Registration Plate Kit	120-7571
Premium Engine Oil 10w30 (55 Gallon Drum)	121-6392
Premium Engine Oil 10w30 (5 Gallon Pail)	121-6393
Premium Engine Oil 15w40 (55 Gallon Drum)	121-6394
Premium Engine Oil 15w40 (5 Gallon Pail)	121-6395
MVP Filter Kit	30056
Hardtop Sunshade	30359
Right-Hand Replacement Mower	30415
Left-Hand Replacement Mower	30416
Front Center Replacement Mower	30417
Guardian Recycler Conversion Kit	30420
Speed Control Kit	30421
Leaf Mulcher Kit	30422
Debris Blower	30425
Rotary Broom	30426
Air Conditioner Mounting Kit	30444
Road Light Kit	30452
CE Kit	30453
CE Light Kit	30454
Diagnostic Display Box	85-4750
Blade (21.75in)	92-5608-03
8in Foam Filled Wheel ASM	93-5974
Debris Blower Outlet Kit	95-5909

Notes:

Notes:



Count on it.