



**Count on it.**

**Parts Catalog**

**60in Rear Discharge Rotary  
Mower**

**Groundsmaster® 3200 or 3300 Series  
Traction Unit**

Model No. 31974—Serial No. 412400000 and Up



# Ordering Replacement Parts

To order replacement parts, please supply the part number, the quantity, and the description of each part desired.

## Understanding Reference Numbers

Each identified part in an illustration has a reference number. The reference number for a part also appears in the parts list, along with other information about the part.

This catalog uses two special reference number formats, one to indicate parts in a service assembly and another to indicate the quantity of a given part in an illustration.

## Service Assembly Reference Numbers

Parts in service assemblies have reference numbers in the form a:b. The a represents the reference number of the entire service assembly and the b represents a sequential number unique to each part within the service assembly.

For example, a wheel assembly might be identified by reference number 6, the tire by 6:1, the valve by 6:2, and the wheel by 6:3. When you order the assembly identified by reference number 6, you receive all parts identified by reference numbers 6:1, 6:2, and 6:3. However, you may also order any part individually. Reference numbers of this type appear in illustration and in parts lists.

## Reference Numbers Indicating Quantity

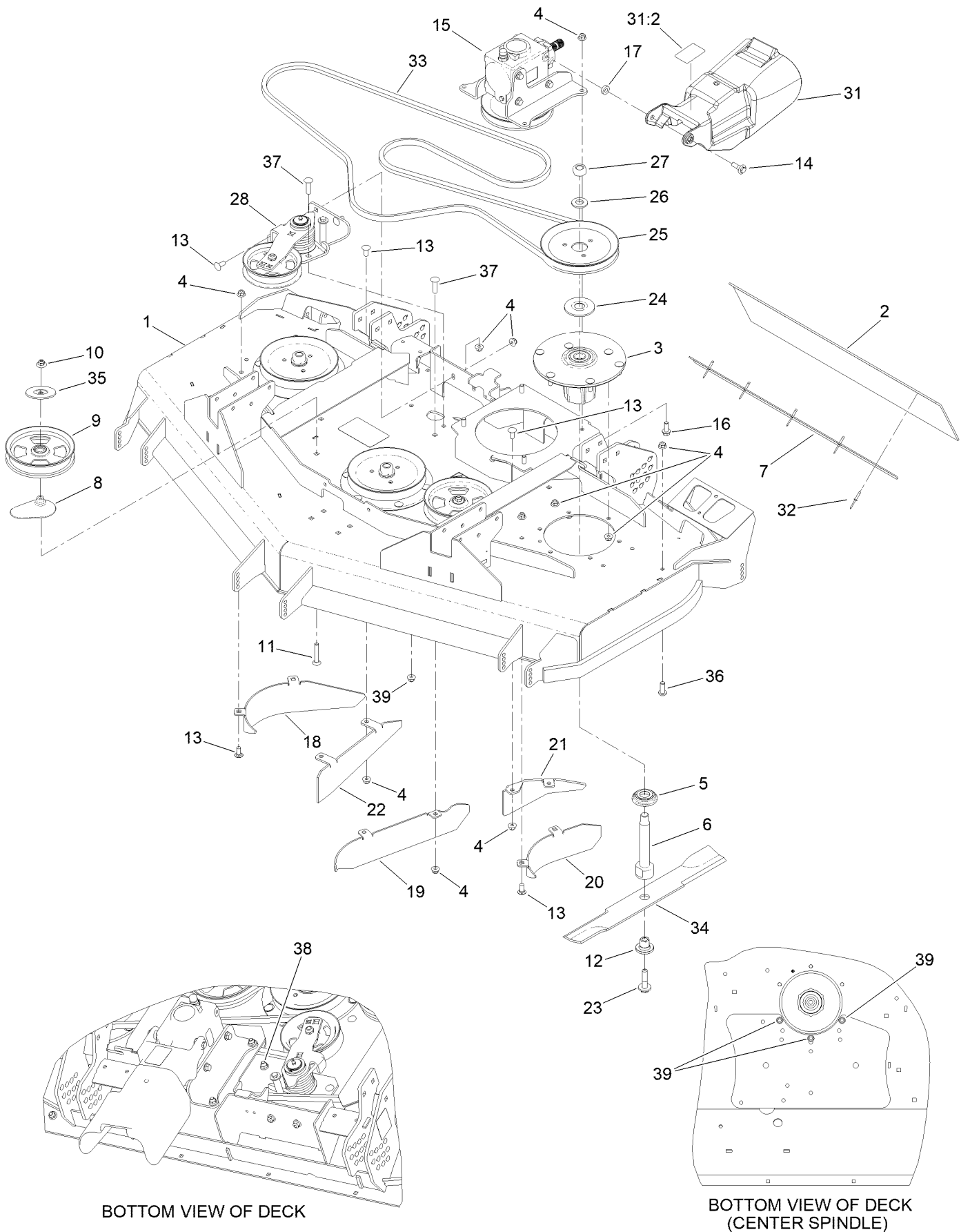
In an illustration, if a reference number indicates more than one part, the reference number has the form nX y. The n represents the quantity of the part, the X is the multiplication symbol, and the y represents the reference number.

For example, in an illustration, the reference number 2X 37 means that two of the parts identified by reference number 37 are indicated.

# Contents

Deck Assembly .....	4
Deck Decal Assembly No. 139-0898SP .....	6
Spindle Assembly No. 137-9780 .....	8
Gearbox Assembly .....	10
Gearbox Assembly No. 145-5990 .....	12
Tensioner Assembly No. 140-9026 .....	14
Belt Cover, Caster Arm and Wheel Assembly .....	16
Wheel Assembly No. 137-5529 .....	18
Latch Assembly No. 139-0888 .....	20

# Deck Assembly

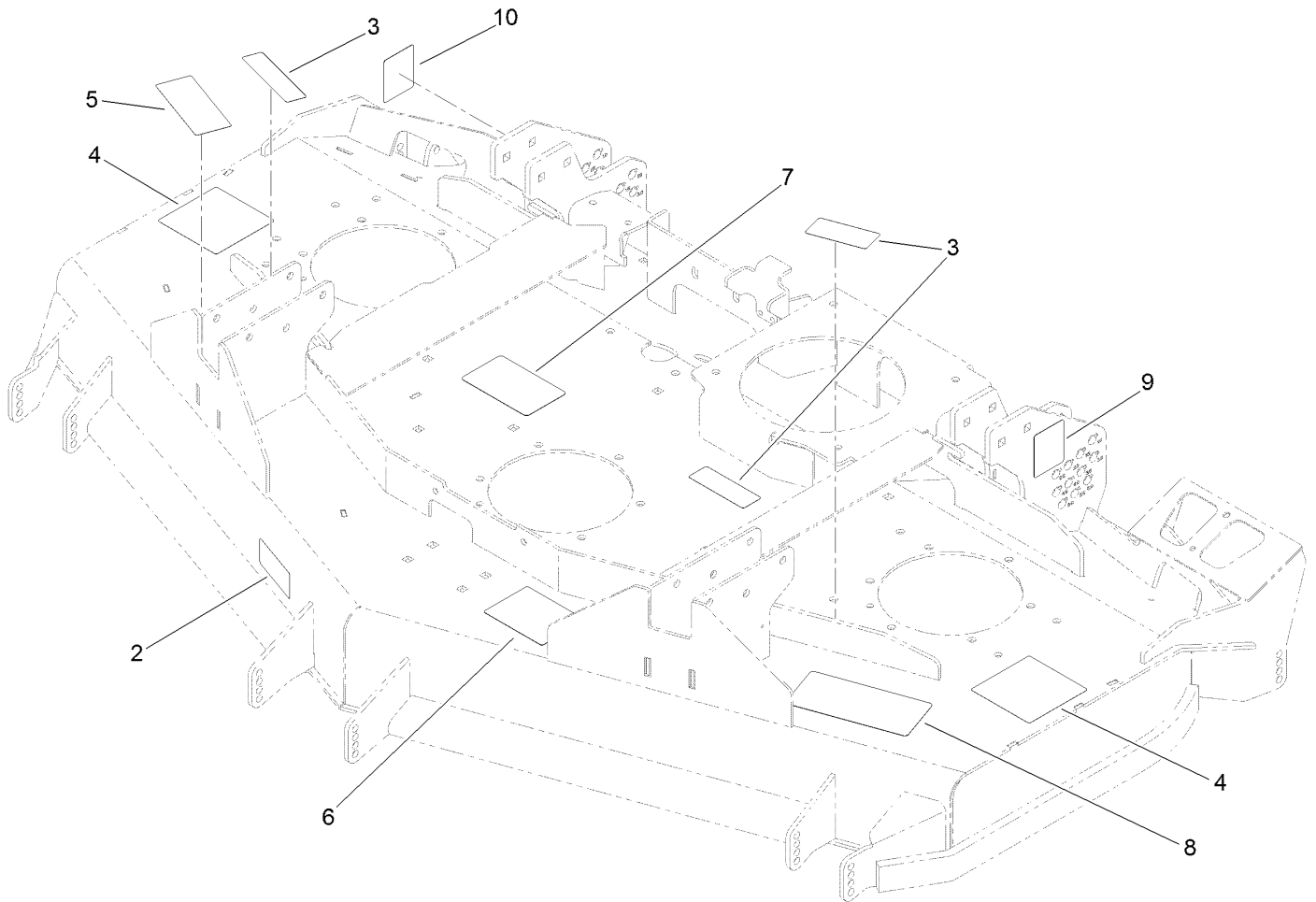


## Deck Assembly (continued)

<i>Ref.</i>	<i>Part Number</i>	<i>Qty.</i>	<i>Description</i>	<i>Ref.</i>	<i>Part Number</i>	<i>Qty.</i>	<i>Description</i>
1	139-0898SP	1	Deck W/Decals	21	137-5903-0P	1	Baffle-Kicker, LH
2	140-3054	1	Flap-Rubber, Middle	22	137-5902-0P	1	Baffle, Long RH
3	137-9780	3	Spindle ASM	23	109-9220	3	Screw-Sems
4	104-8301	41	Nut-HF, NI	24	103-1330	3	Guard-Bearing, Top
5	137-9784	3	Guard-Bottom	25	138-6059	3	Sheave-Drive, Blade
6	138-6045	3	Shaft-Spindle	26	103-2802	3	Washer
7	140-3053-0P	1	Bracket-Flap, Middle	27	116-7306	3	Nut-Hex
8	109-2872	2	Spacer-Pulley	28	140-9026	1	Tensioner ASM
9	136-5404	2	Pulley-Idler, Flat	31	139-6301	1	PTO Guard W/Decals
10	109-6658	2	Nut-Flange, NI	31:2	139-6303	1	Decal-Danger, Entanglement
11	3231-40	2	Bolt-CARR	32	103-0138	5	Rivet-Pop
12	137-9787	3	Bushing-Hex	33	139-6342	1	Belt-V
13	3231-27	10	Screw-CARR	34	140-4854	3	Blade-20.50, Low Flow
14	109-9840	2	Screw-Shoulder, HHF	35	126-8043	2	Shield-Dust
15		1	Gearbox ASM ●	36	3274-80	7	Screw-HH
16	3231-22	4	Screw-CARR	37	3231-28	4	Screw-CARR
17	5-0652	2	Spacer	38	3274-94	1	Screw-HSBH
18	138-0252-0P	1	Baffle-Inner, RH	39	32128-21	3	Nut-HF Lock
19	140-9041-0P	1	Baffle-Inner, Center				
20	137-5800-0P	1	Baffle-Inner, RH				

● Not serviced separately

# Deck Decal Assembly No. 139-0898SP



## Deck Decal Assembly No. 139-0898SP (continued)

<i>Ref.</i>	<i>Part Number</i>	<i>Qty.</i>	<i>Description</i>	<i>Ref.</i>	<i>Part Number</i>	<i>Qty.</i>	<i>Description</i>
2	116-8283	1	Decal-Torque, Bolt	7	138-7359	1	Decal-Routing, Belt
3	117-4979	3	Decal-Warning	8	137-5949	1	Decal-HOC
4	120-6604	2	Decal-Danger	9	144-0542	1	Decal-HOC, LH
5	140-3145	1	Decal-152 CM	10	144-0543	1	Decal-HOC, RH
6	127-0326	1	Decal-Scalp, Anti				

# Spindle Assembly No. 137-9780

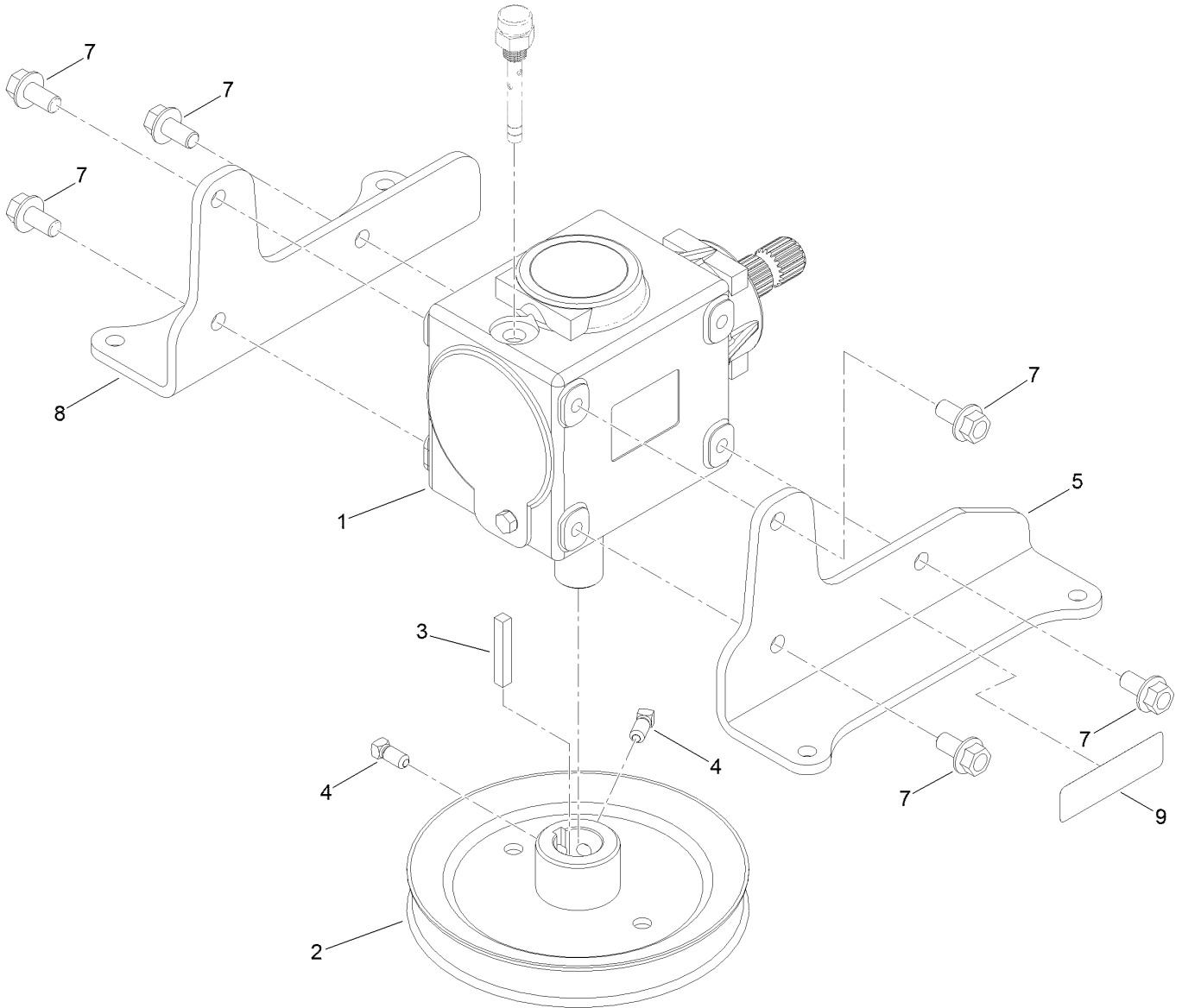




# Spindle Assembly No. 137-9780 (continued)

<i>Ref.</i>	<i>Part Number</i>	<i>Qty.</i>	<i>Description</i>
2	116-0720	2	Bearing-Ball
3	138-6042	1	Spacer-Bearing

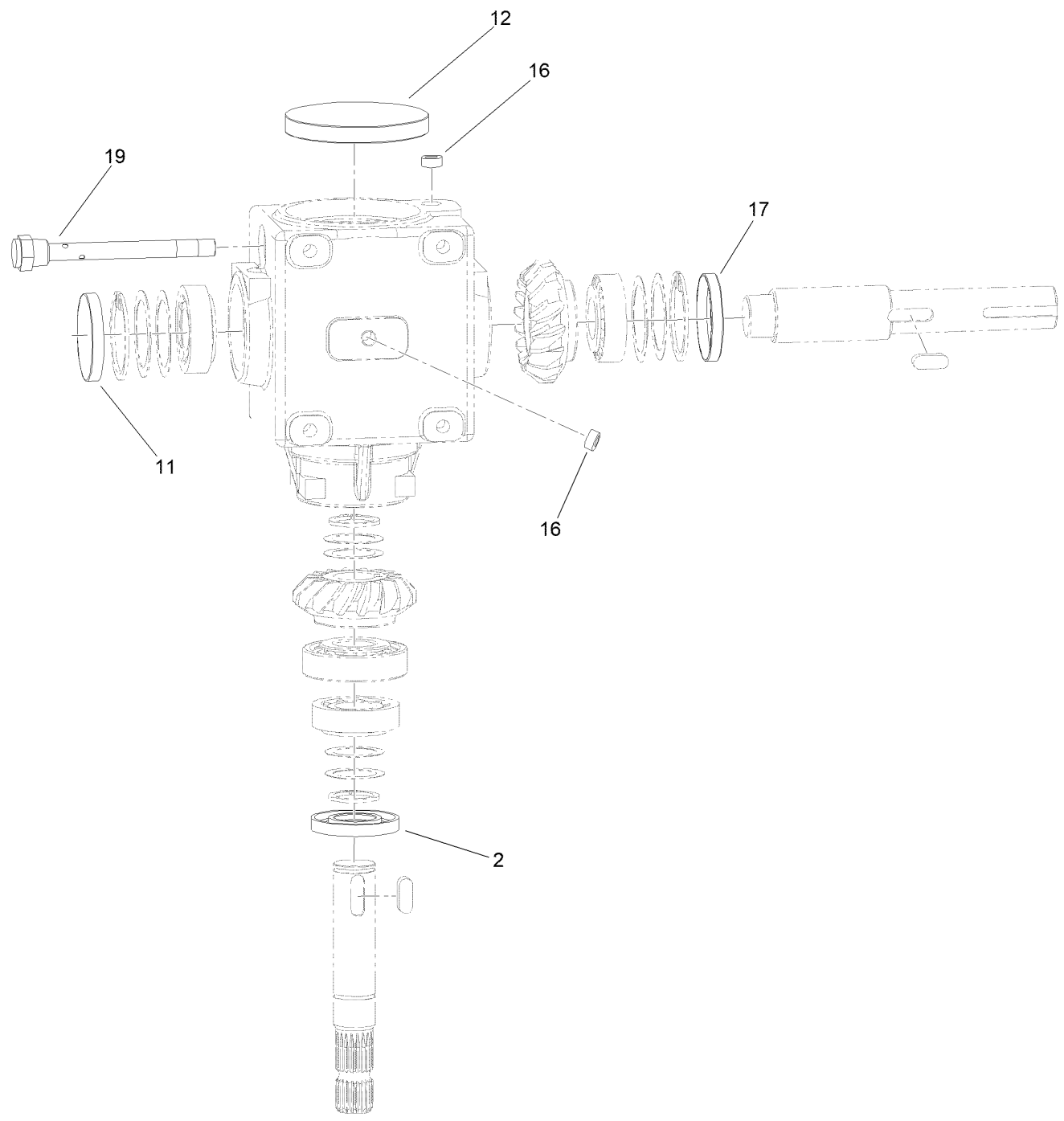
# Gearbox Assembly



## Gearbox Assembly (continued)

<i>Ref.</i>	<i>Part Number</i>	<i>Qty.</i>	<i>Description</i>	<i>Ref.</i>	<i>Part Number</i>	<i>Qty.</i>	<i>Description</i>
1	145-5990	1	Gearbox	5	144-0494-03	1	Bracket-Gearbox, LH
2	140-9038	1	Pulley	7	139-6300	6	Screw-Hfl
3	94-2425	1	Key-Square	8	144-0495-03	1	Bracket-Gearbox, RH
4	1-803022	2	Screw-Set	9	93-6697	1	Decal-Lube

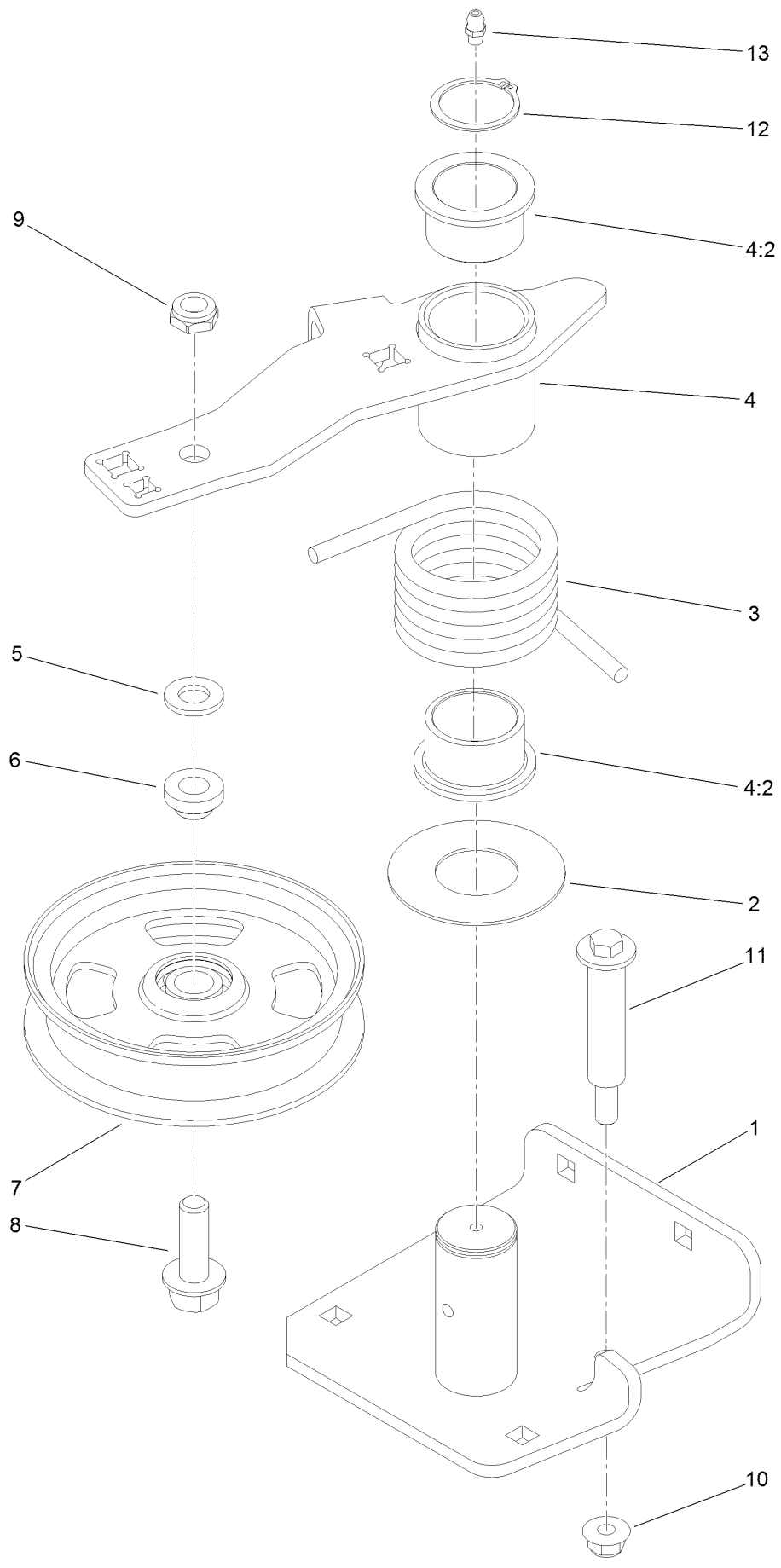
# Gearbox Assembly No. 145-5990



## Gearbox Assembly No. 145-5990 (continued)

<i>Ref.</i>	<i>Part Number</i>	<i>Qty.</i>	<i>Description</i>	<i>Ref.</i>	<i>Part Number</i>	<i>Qty.</i>	<i>Description</i>
2	140-7133	1	Seal-Oil	16	140-7132	3	Plug
11	140-7129	1	Plug-Cap	17	145-5989	1	Seal-Oil
12	140-7131	1	Plug-Cap	19	140-7130	1	Dipstick

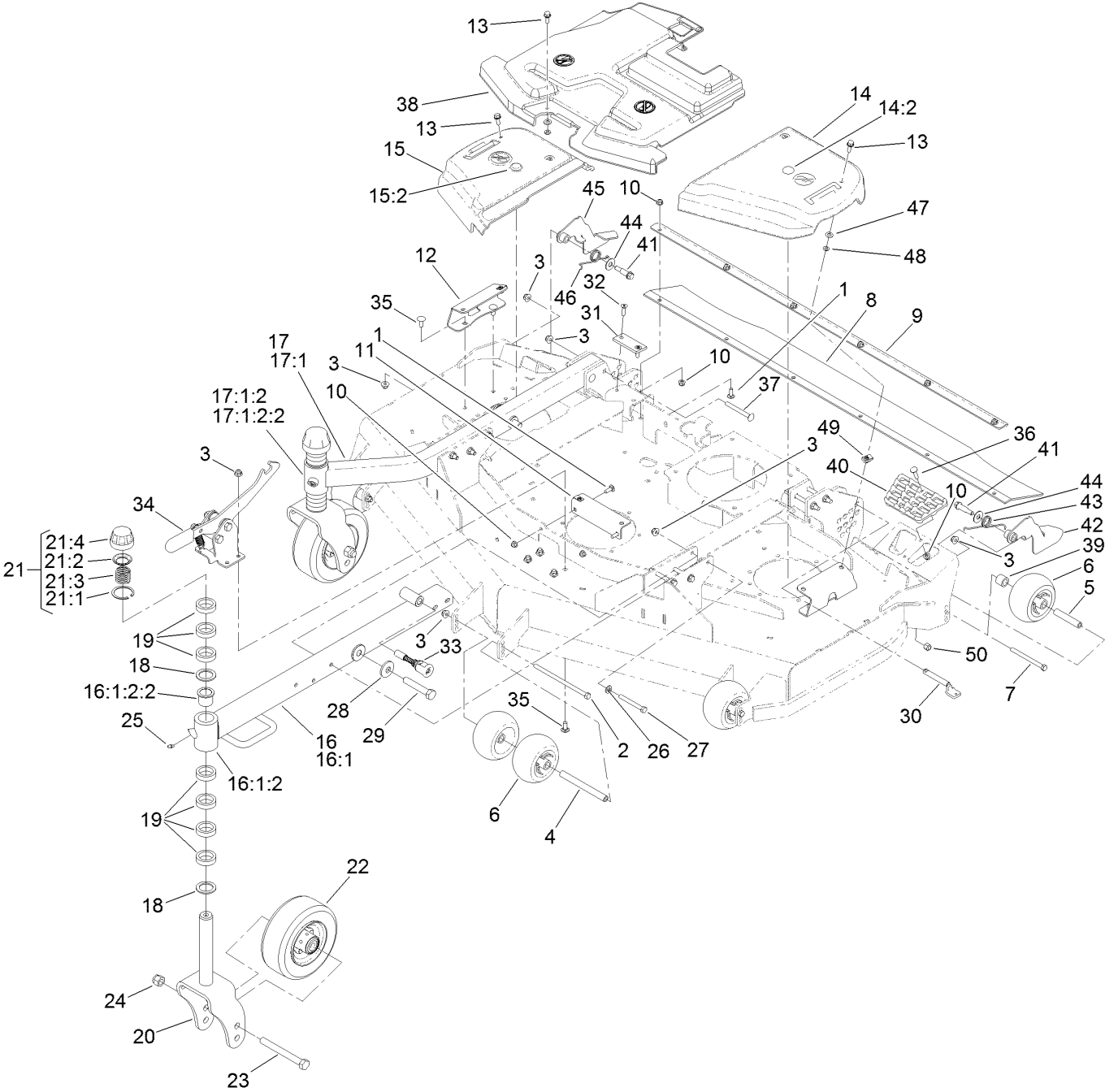
# Tensioner Assembly No. 140-9026



## Tensioner Assembly No. 140-9026 (continued)

<i>Ref.</i>	<i>Part Number</i>	<i>Qty.</i>	<i>Description</i>	<i>Ref.</i>	<i>Part Number</i>	<i>Qty.</i>	<i>Description</i>
1	140-9021	1	Pivot-Idler	7	136-5405	1	Pulley-Idler, Flat
2	108-1926	1	Washer	8	100-6116	1	Screw-HHF
3	112-7395	1	Spring-Torsion	9	3296-45	1	Nut-Hex
4	144-0503	1	High Idler Arm ASM	10	104-8301	1	Nut-HF, NI
4:2	93-4510	2	Bushing-Caster	11	112-3977	1	Bolt-Shoulder
5	106-9888	1	Washer-Flat	12	32120-84	1	Ring-Snap, External
6	108-1924	1	Spacer-Idler	13	302-5	1	Fitting-Grease

# Belt Cover, Caster Arm and Wheel Assembly



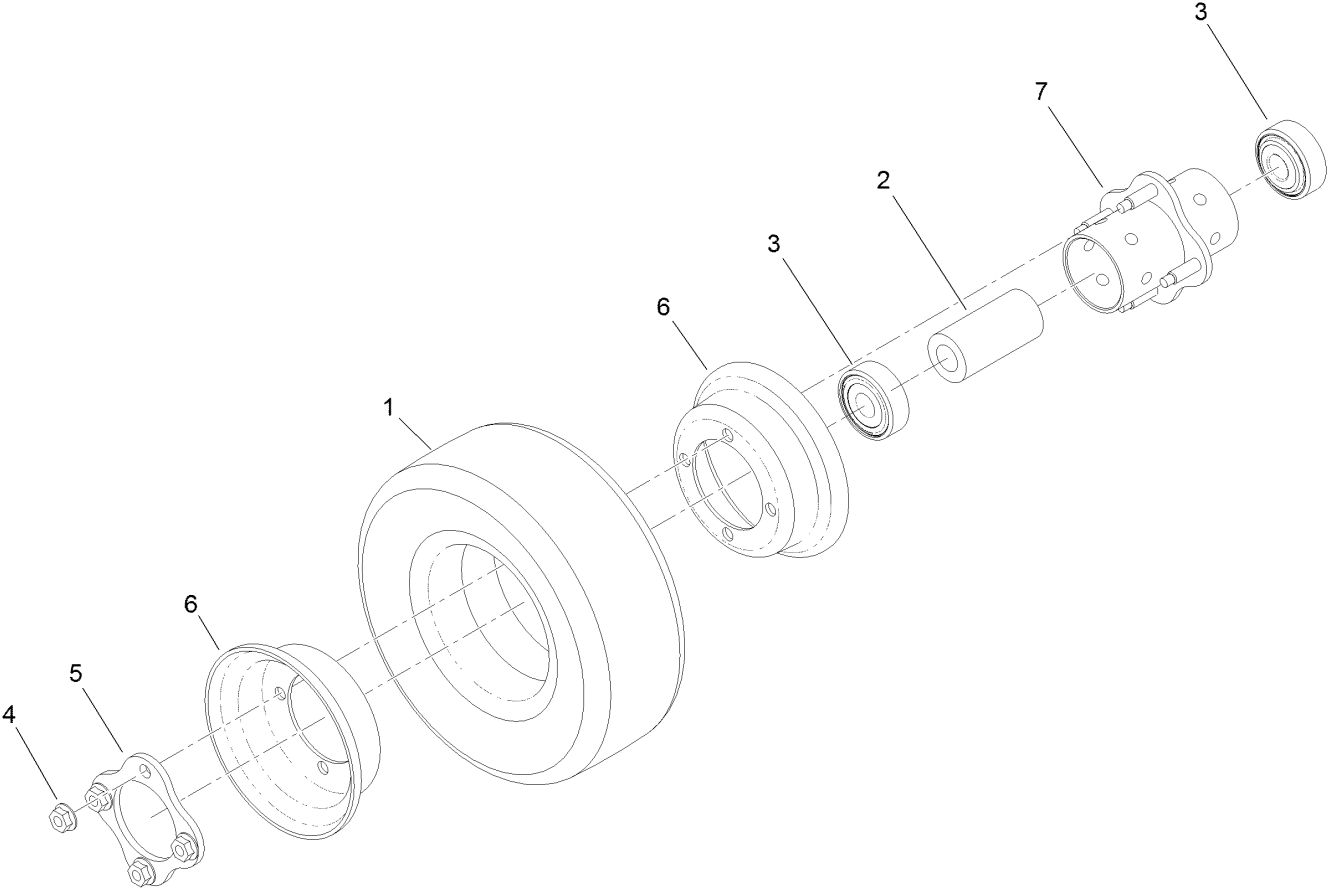


## Belt Cover, Caster Arm and Wheel Assembly (continued)

<i>Ref.</i>	<i>Part Number</i>	<i>Qty.</i>	<i>Description</i>	<i>Ref.</i>	<i>Part Number</i>	<i>Qty.</i>	<i>Description</i>
1	3230-10	8	Bolt-CARR	21:3	92-9726	1	Spring-Compression
2	108-5388	1	Screw-HH	21:4	92-8861	1	Cap-HOC
3	104-8301	23	Nut-HF, NI	22	137-5529	2	Wheel ASM
4	98-5967	1	Spacer-Wheel	23	327-24	2	Screw-HH
5	98-7912	4	Tube-Spanner	24	3296-53	2	Nut-Lock, NI
6	1-603299	6	Roller-Scalp, Anti	25	302-5	2	Fitting-Grease
7	323-23	4	Screw-HH	26	3256-24	6	Washer-Flat
8	140-9031	1	Flap Rubber	27	323-20	6	Screw-HH
9	139-0919-01	1	Bracket-Flap	28	103-0865	2	Washer-Blade Bolt, Heavy
10	104-8300	13	Nut-HF, NI	29	139-6203	2	Screw-HH
11	140-3066-03	1	Bracket-Belt Cover, Middle (CE)	30	140-3064	2	Pin-HOC ASM
12	114-5882-01	2	Bracket-Cover, Belt	31	138-4452	2	Pad-Stop, Deck
13	3234-29	3	Screw-HHF	32	133-4543	4	Screw
14	138-7379	1	LH Belt Cover ASM	33	139-6345	1	Spring-Pin
14:2	117-3824	1	Plug-Plastic	34	139-0888	1	Latch ASM
15	138-7362	1	RH Belt Cover ASM	35	3231-27	8	Screw-CARR
15:2	117-3824	1	Plug-Plastic	36	3230-3	1	Screw-CARR
16	138-0269-01	1	LH Caster Arm ASM	37	3231-11	4	Screw-CARR
16:1		1	Arm-Caster, LH ●	38	138-7373	1	Cover-Belt, Center
16:1:2		1	Hub ASM ●	39	98-7913	4	Tube-Spacer
16:1:2:2	69-6470	2	Bushing-Caster	40	126-4781	1	Step-Deck
17	138-0271-01	1	RH Caster Arm ASM	41	66-0561	2	Screw-Shoulder
17:1		1	Arm-Caster, RH ●	42	139-6319-03	1	Guard-LH
17:1:2		1	Hub ASM ●	43	51-4380	1	Spring-Torsion, LH
17:1:2:2	69-6470	2	Bushing-Caster	44	3-6803	2	Washer-Adjusting
18	69-6860	4	Washer-Thrust	45	139-6317-03	1	Guard-RH
19	69-1510	14	Spacer	46	51-4370	1	Spring-Torsion, RH
20	137-2546-01	2	Fork-Caster	47	73-0041	3	Washer-Thrust
21	92-9727	2	HOC Cap ASM	48	117-2749	3	Nut-Push
21:1	92-5581	1	Ring-Rtng, Snap, Int, Flat	49	94-2413	3	Nut-U
21:2	92-5583	1	Washer-Cap	50	3296-6	2	Nut-Lock

● Not serviced separately

# Wheel Assembly No. 137-5529

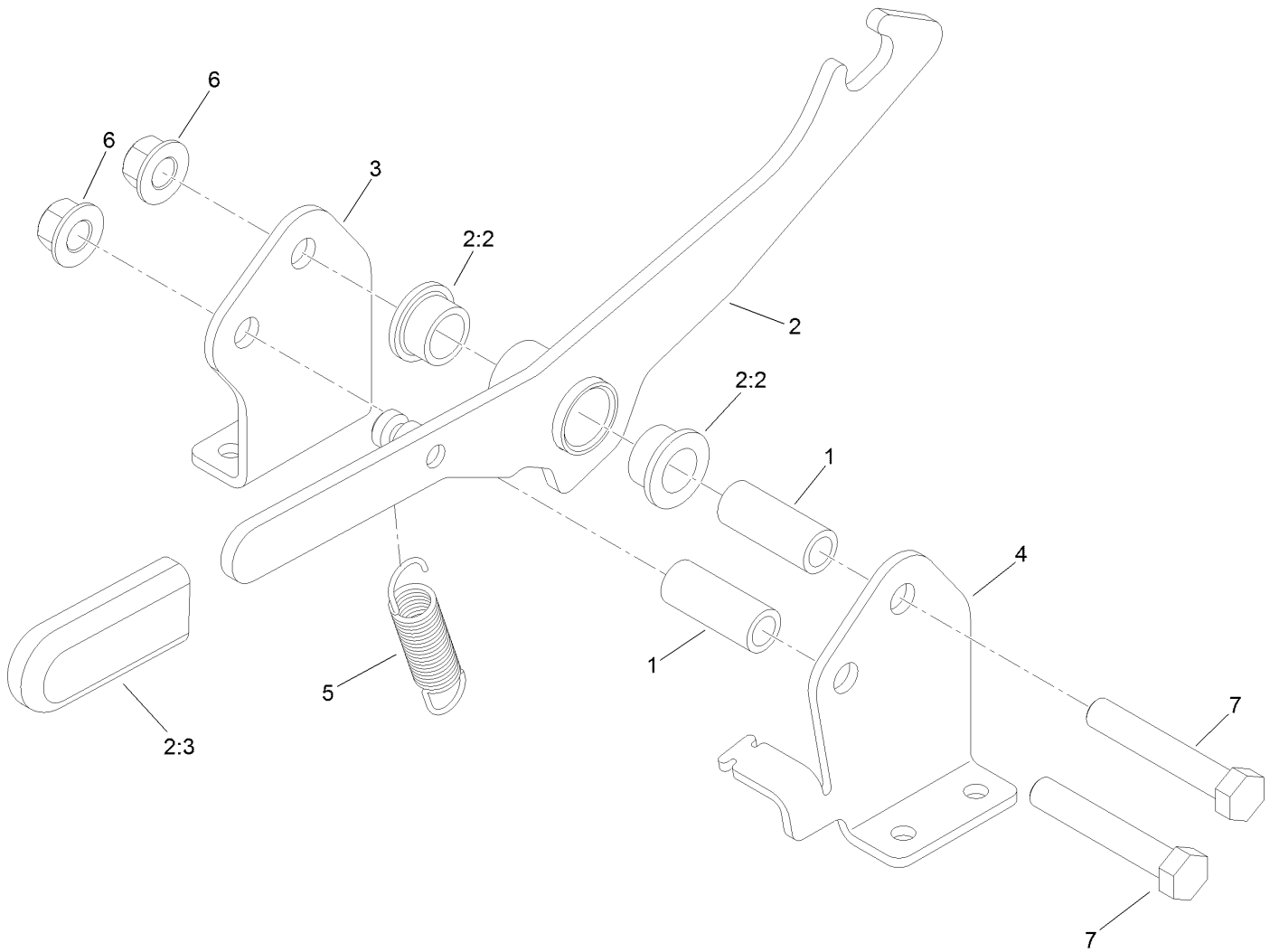


## Wheel Assembly No. 137-5529 (continued)

<i>Ref.</i>	<i>Part Number</i>	<i>Qty.</i>	<i>Description</i>
1	136-4424	1	Tire-Pneumatic, Semi
2	93-4241	1	Spacer-Bearing, Inner
3	120-3366	2	Bearing
4	32128-16	4	Nut-HHF

<i>Ref.</i>	<i>Part Number</i>	<i>Qty.</i>	<i>Description</i>
5	93-4242	1	Plate
6	137-5552	2	Rim-Wheel, Half
7	93-5980	1	Hub

# Latch Assembly No. 139-0888



## Latch Assembly No. 139-0888 (continued)

<i>Ref.</i>	<i>Part Number</i>	<i>Qty.</i>	<i>Description</i>
1	117-0380	2	Spacer
2	138-0283	1	Latch Arm ASM
2:2	93-2877	2	Bushing
2:3	119-1846	1	Grip
3	139-0889	1	Bracket-Latch, Mount (RH)

<i>Ref.</i>	<i>Part Number</i>	<i>Qty.</i>	<i>Description</i>
4	139-0887	1	Bracket-Latch, Mount (LH)
5	130-9645	1	Spring-Extension
6	99-5107	2	Nut-Lock
7	325-12	2	Screw-HH

**Notes:**

**Notes:**



**Count on it.**