



Count on it.

Parts Catalog

**Flex-Force Power System™
60V MAX 55cm Recycler® Lawn Mower**

Model No. 21864—Serial No. 412000000 and Up



Ordering Replacement Parts

To order replacement parts, please supply the part number, the quantity, and the description of each part desired.

Understanding Reference Numbers

Each identified part in an illustration has a reference number. The reference number for a part also appears in the parts list, along with other information about the part.

This catalog uses two special reference number formats, one to indicate parts in a service assembly and another to indicate the quantity of a given part in an illustration.

Service Assembly Reference Numbers

Parts in service assemblies have reference numbers in the form a:b. The a represents the reference number of the entire service assembly and the b represents a sequential number unique to each part within the service assembly.

For example, a wheel assembly might be identified by reference number 6, the tire by 6:1, the valve by 6:2, and the wheel by 6:3. When you order the assembly identified by reference number 6, you receive all parts identified by reference numbers 6:1, 6:2, and 6:3. However, you may also order any part individually. Reference numbers of this type appear in illustration and in parts lists.

Reference Numbers Indicating Quantity

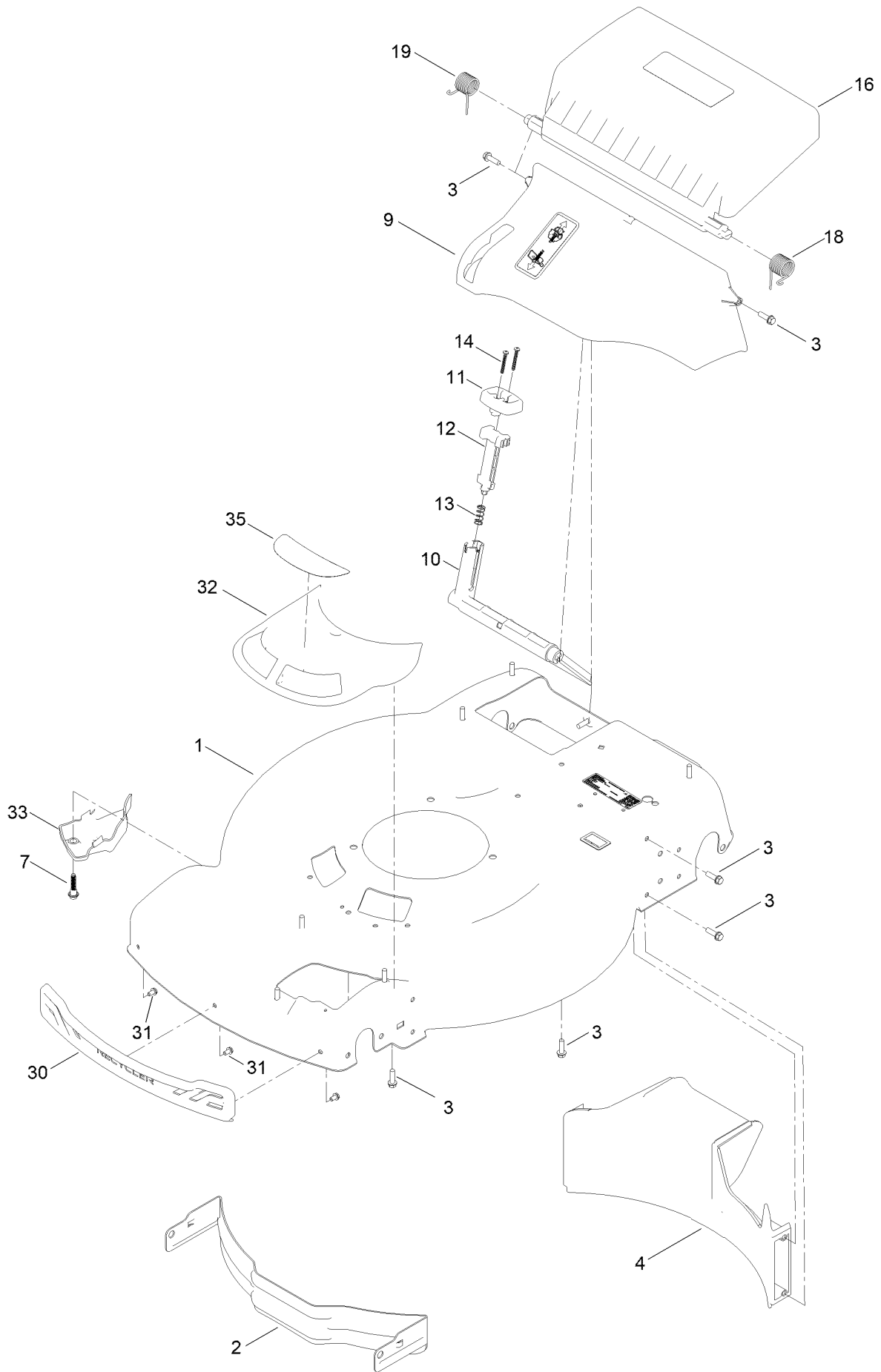
In an illustration, if a reference number indicates more than one part, the reference number has the form nX y. The n represents the quantity of the part, the X is the multiplication symbol, and the y represents the reference number.

For example, in an illustration, the reference number 2X 37 means that two of the parts identified by reference number 37 are indicated.

Contents

Housing Assembly	4
Housing Decal Assembly No. 145-1525	6
Rear Bag Assembly	8
Decal Assembly	10
Motor Module and Blade Assembly	12
Motor Module Assembly No. 140-4152 Lower Shroud Assembly	14
Motor Module Assembly No. 140-4152 Upper Shroud Assembly	16
Front Wheel and Height-of-Cut Assembly	18
Rear Wheel and Height-of-Cut Assembly	20
Handle Assembly	22
Starter Switch Assembly	24
Attachments and Accessories	26

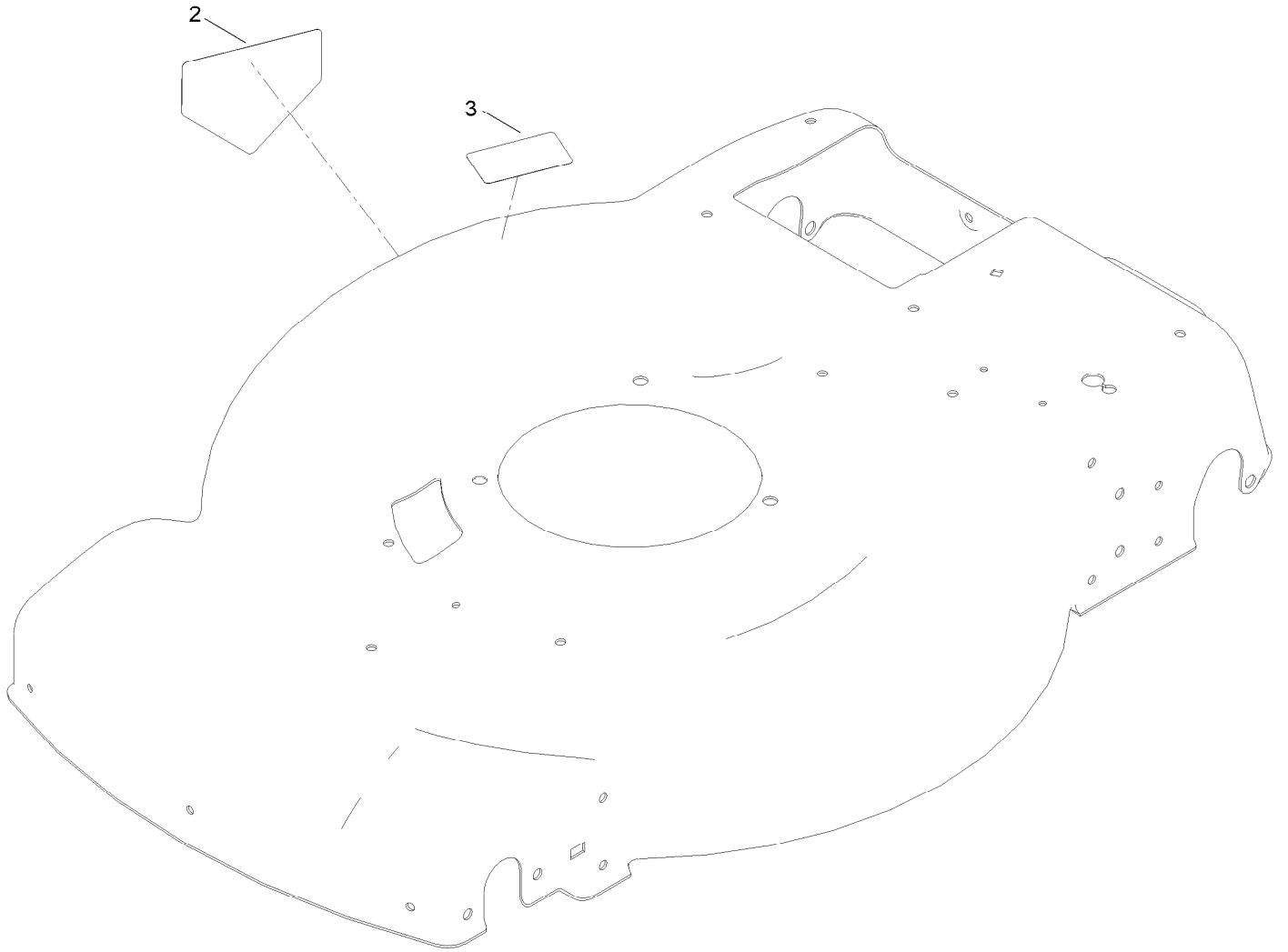
Housing Assembly



Housing Assembly (continued)

<i>Ref.</i>	<i>Part Number</i>	<i>Qty.</i>	<i>Description</i>	<i>Ref.</i>	<i>Part Number</i>	<i>Qty.</i>	<i>Description</i>
1	145-1525	1	Housing ASM	14	32104-120	2	Screw-PPH
2	115-4667-01	1	Baffle-Front	16	140-2396	1	ASM-Rear Door, In-Mold (60V)
3	137-3099	13	Screw-Plastite, HWH	18	139-5478	1	Spring-Torsion, LH
4	139-5440	1	Baffle-Rear, Rwd	19	139-5479	1	Spring-Torsion, RH
7	131-0837	1	Screw-Shoulder, HHF	30	139-5457	1	Bumper-Front
9	140-2368	1	ASM-Chute, In Mold	31	139-5467	3	Screw-Plastic, HWH
10	139-5443	1	Deflector-Recycle	32	144-0210	1	ASM-Intake, Rwd
11	139-5444	1	Knob-Recycle	33	140-2384	1	Cover-Intake, Bottom
12	139-5445	1	Latch-Recycle	35	145-1487	1	Decal-Vortex Rwd
13	140-4192	1	Spring-Compression				

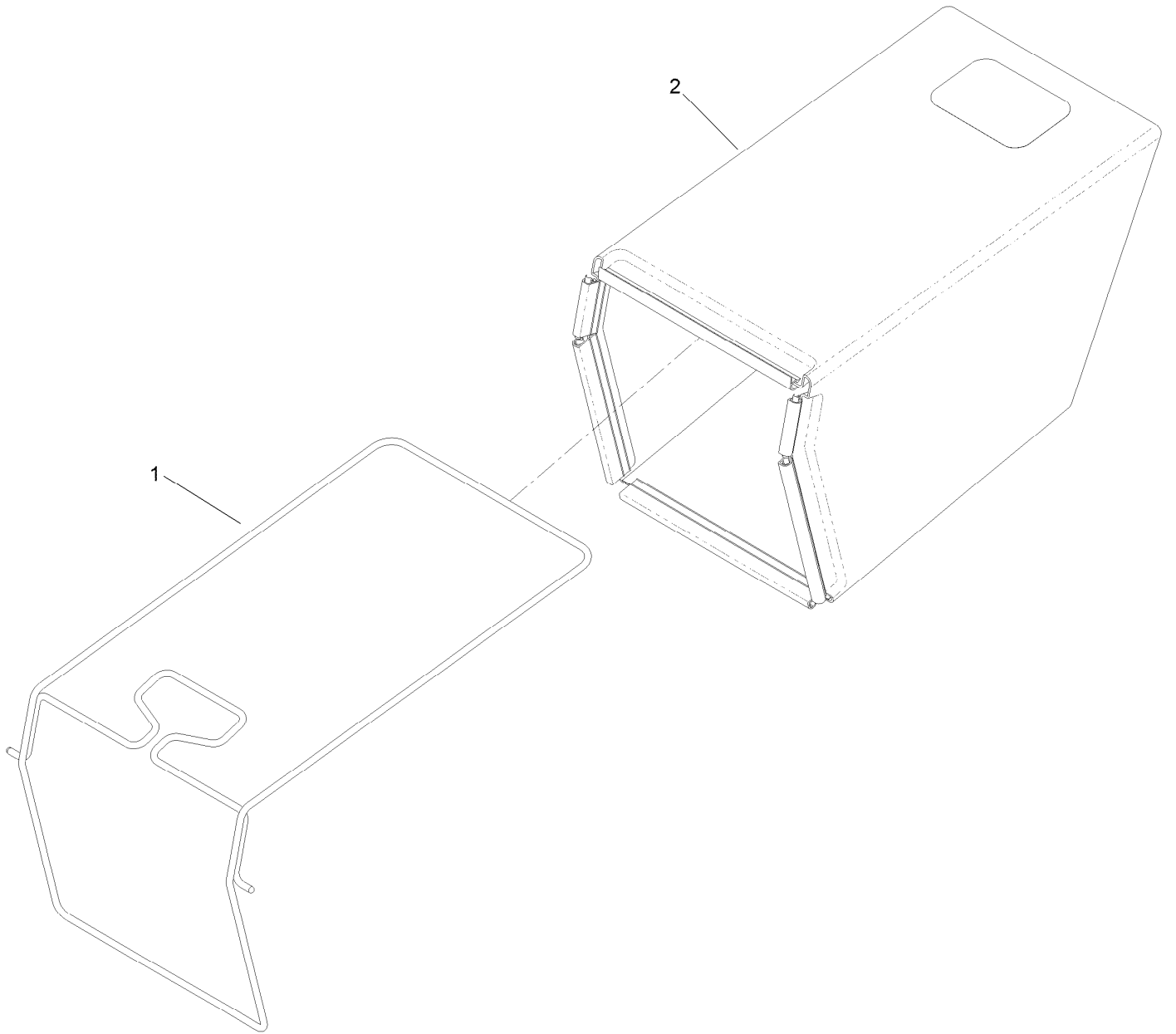
Housing Decal Assembly No. 145-1525



Housing Decal Assembly No. 145-1525 (continued)

<i>Ref.</i>	<i>Part Number</i>	<i>Qty.</i>	<i>Description</i>
2	112-8760	1	Decal-Danger
3	125-5092	1	Decal-Placement, Foot

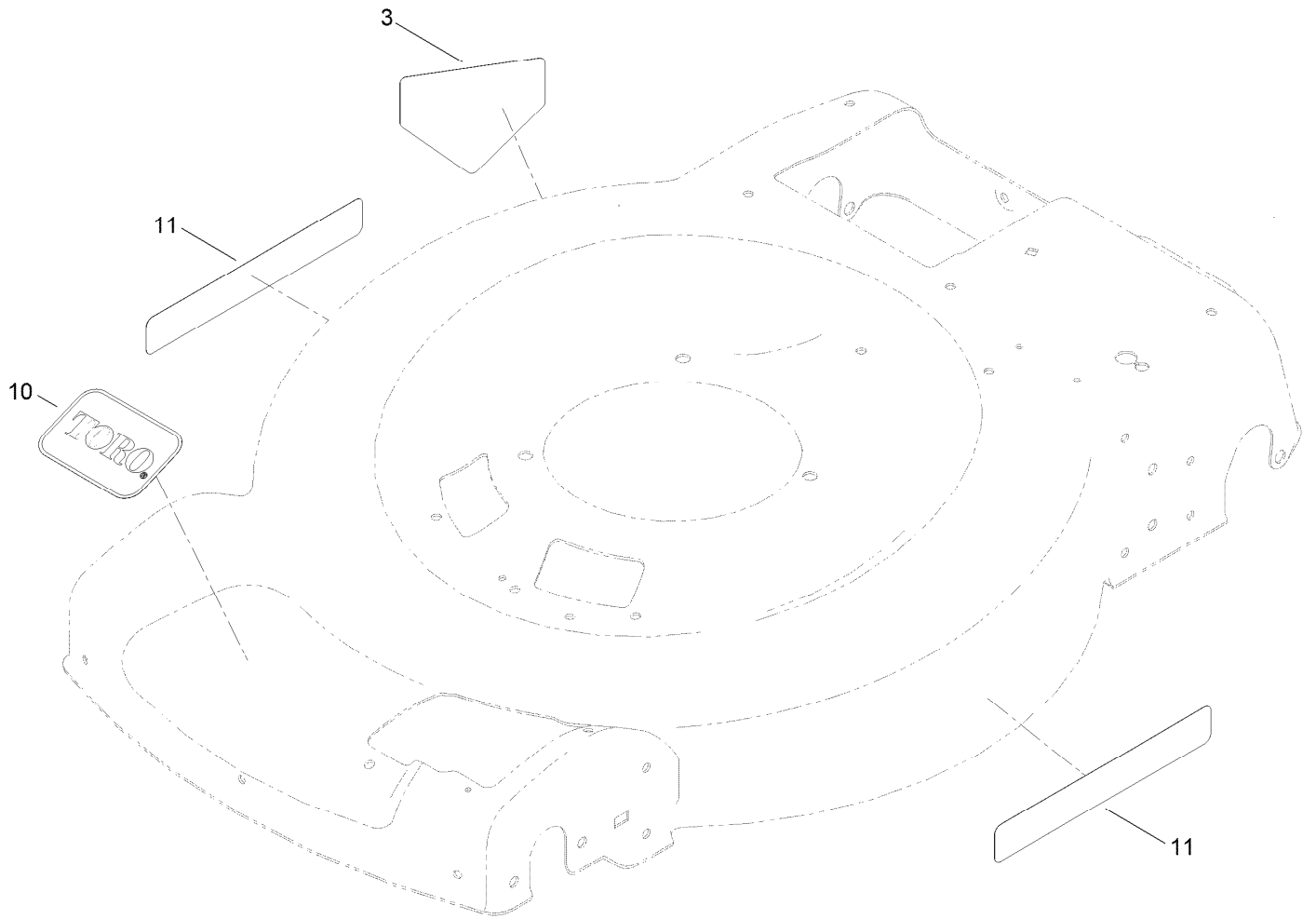
Rear Bag Assembly



Rear Bag Assembly (continued)

<i>Ref.</i>	<i>Part Number</i>	<i>Qty.</i>	<i>Description</i>
1	139-5470-03	1	ASM-Frame, Bag
2	139-5471	1	ASM-Bag, Grass

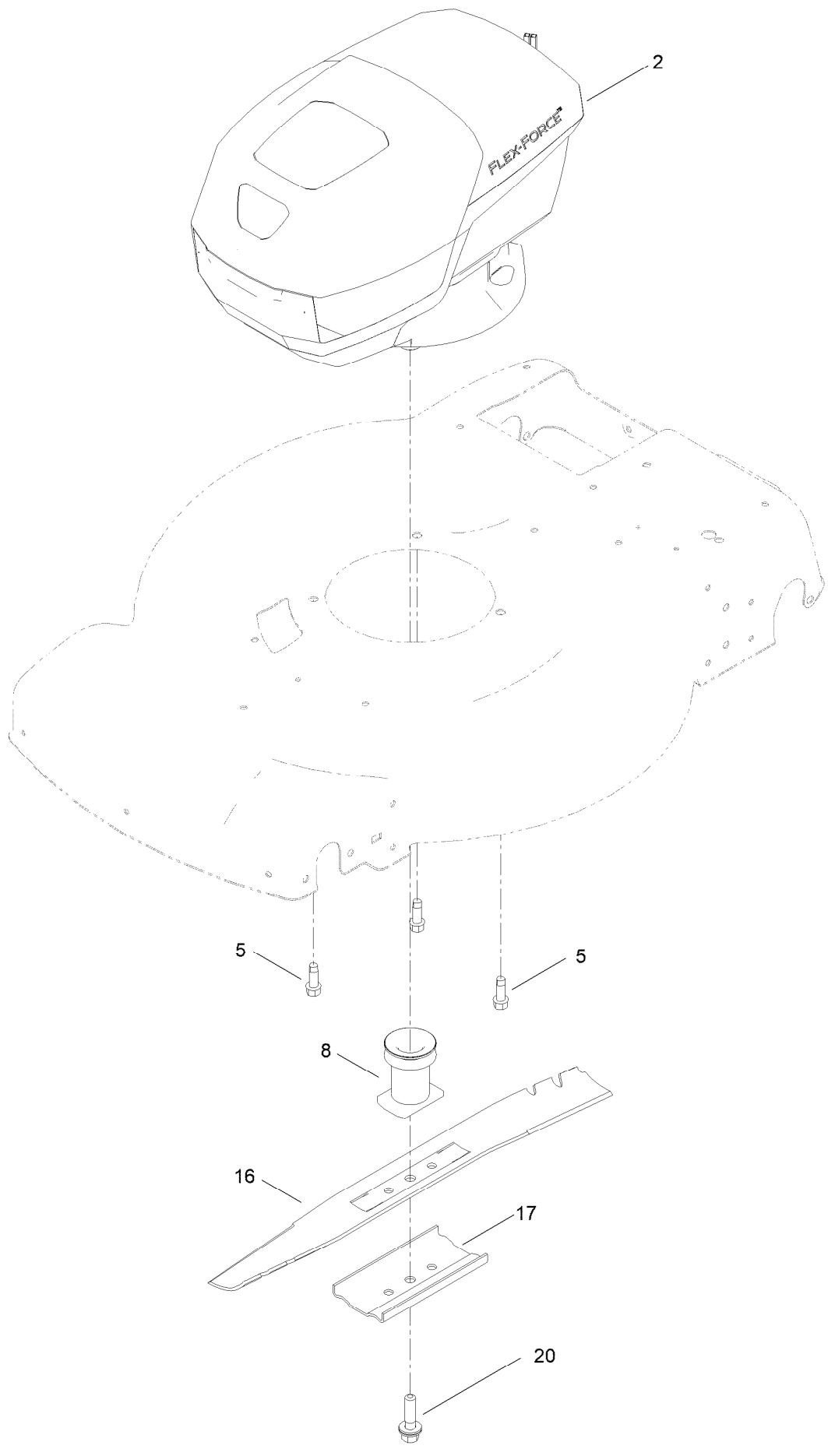
Decal Assembly



Decal Assembly (continued)

<i>Ref.</i>	<i>Part Number</i>	<i>Qty.</i>	<i>Description</i>
3	112-8760	1	Decal-Danger
10	140-4183	1	Decal
11	140-4184	2	Decal

Motor Module and Blade Assembly

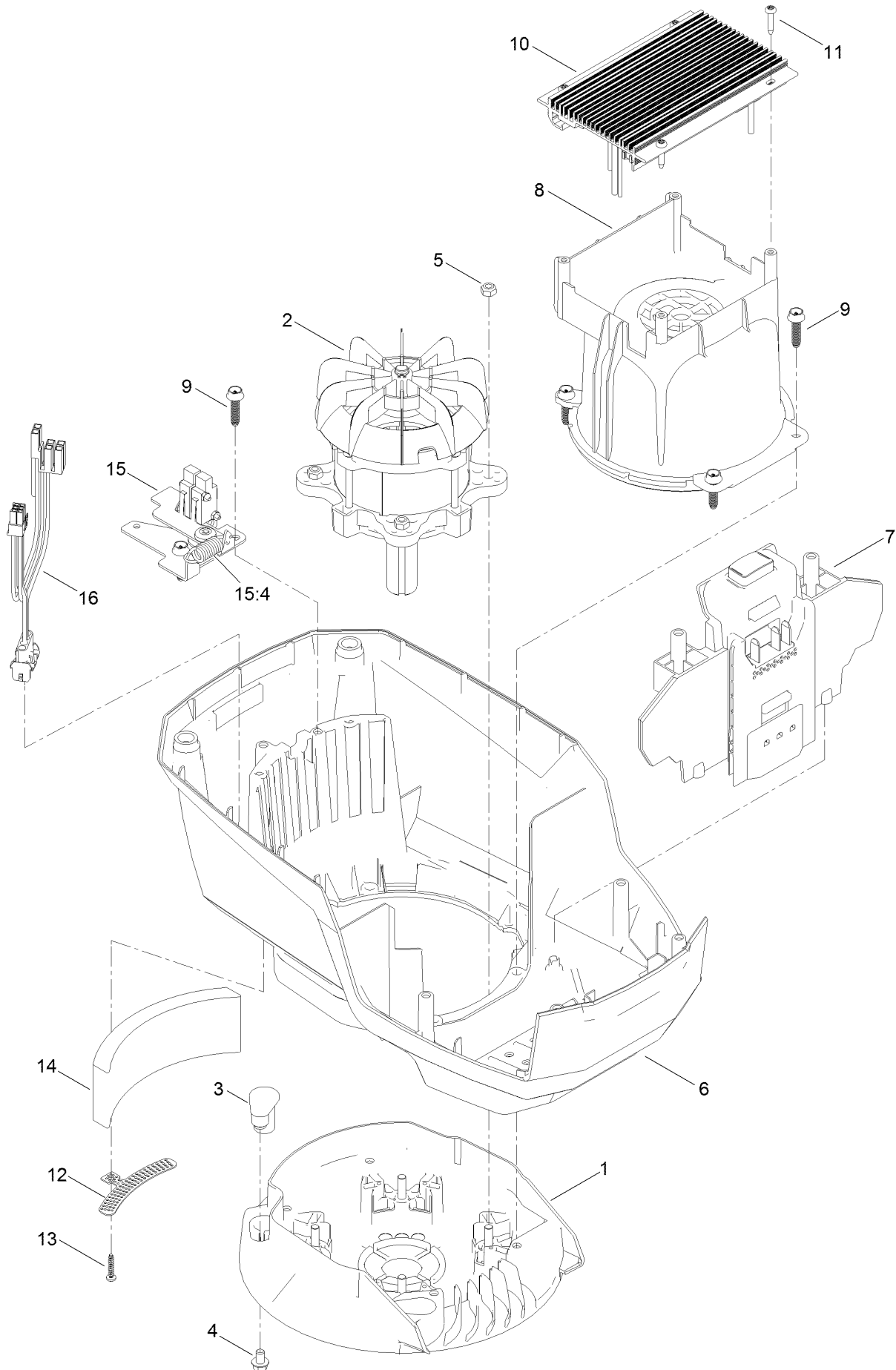


Motor Module and Blade Assembly (continued)

<i>Ref.</i>	<i>Part Number</i>	<i>Qty.</i>	<i>Description</i>	<i>Ref.</i>	<i>Part Number</i>	<i>Qty.</i>	<i>Description</i>
2	140-4152	1	Motor Module 60V	16	144-3177-03	1	Blade [black]
5	121-5844	3	Screw-Thd Form, HWH	17	108-3766-03	1	Support-Blade
8	139-1816	1	Driver-Blade	20	125-2466	1	Bolt-Blade

Motor Module Assembly No. 140-4152

Lower Shroud Assembly



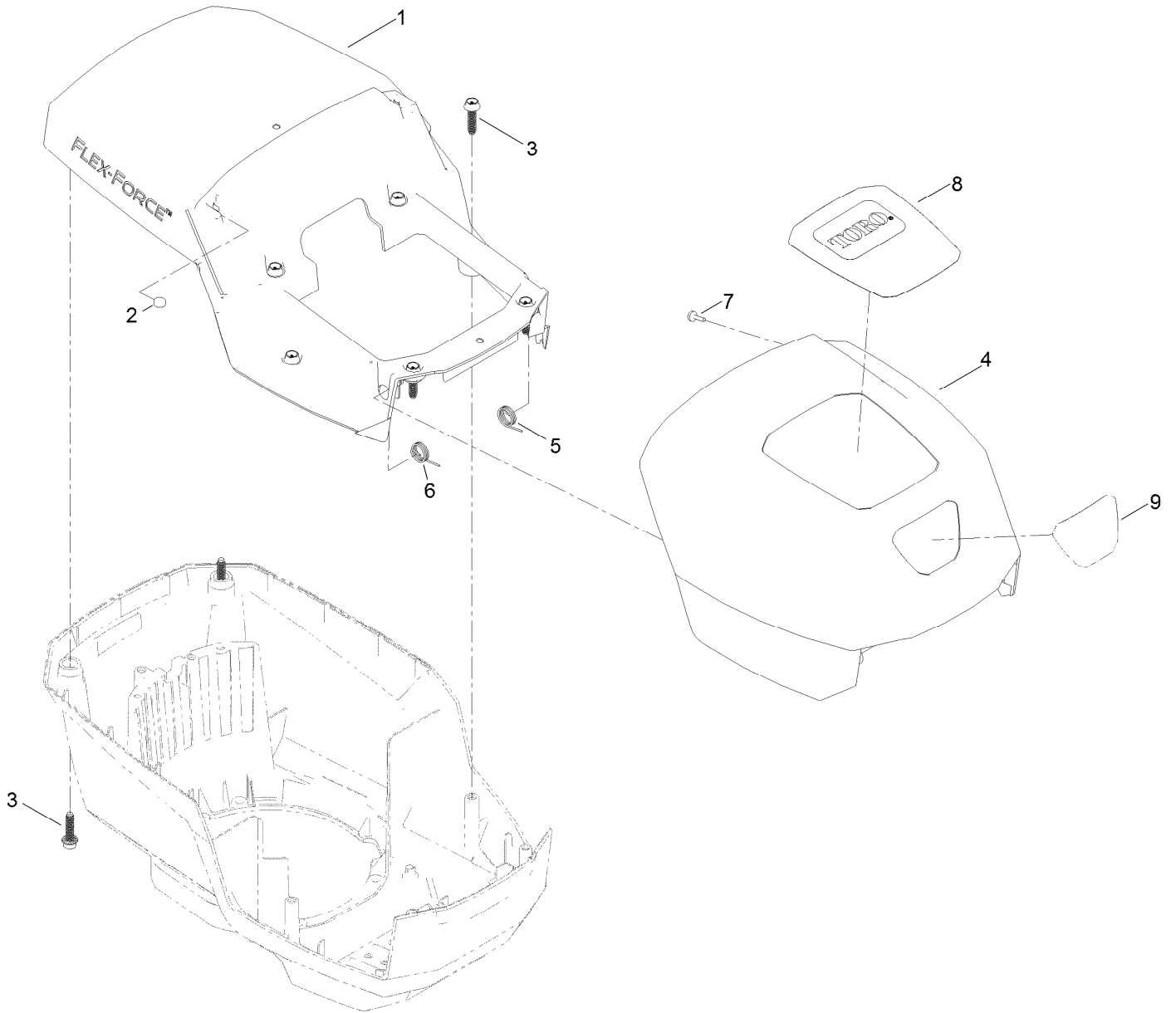
Motor Module Assembly No. 140-4152

Lower Shroud Assembly (continued)

<i>Ref.</i>	<i>Part Number</i>	<i>Qty.</i>	<i>Description</i>	<i>Ref.</i>	<i>Part Number</i>	<i>Qty.</i>	<i>Description</i>
1	139-6628	1	Base-Mount, Motor	10	134-4561	1	Driver-Motor, 2-Speed
2	140-4119	1	Motor-2Kw	11	139-6642	4	Screw
3	131-9732	3	Insert-Mount, Motor	12	139-6635	1	Bracket-Foam
4	137-4795	3	Screw	13	138-3273	1	Screw-Plastic, PPH
5	115-7373	4	Nut-Lock	14	139-6636	1	Foam
6	139-6631	1	Shroud-Lower	15	133-1918	1	Bail Switch ASM
7	139-6632	1	Battery Reciever ASM	15:4	104-6478	1	Spring-Extension
8	139-6633	1	Shroud-Motor	16	139-6637	1	Harness-Wire
9	130-6658	6	Screw-Flange, Plastic				

Motor Module Assembly No. 140-4152

Upper Shroud Assembly

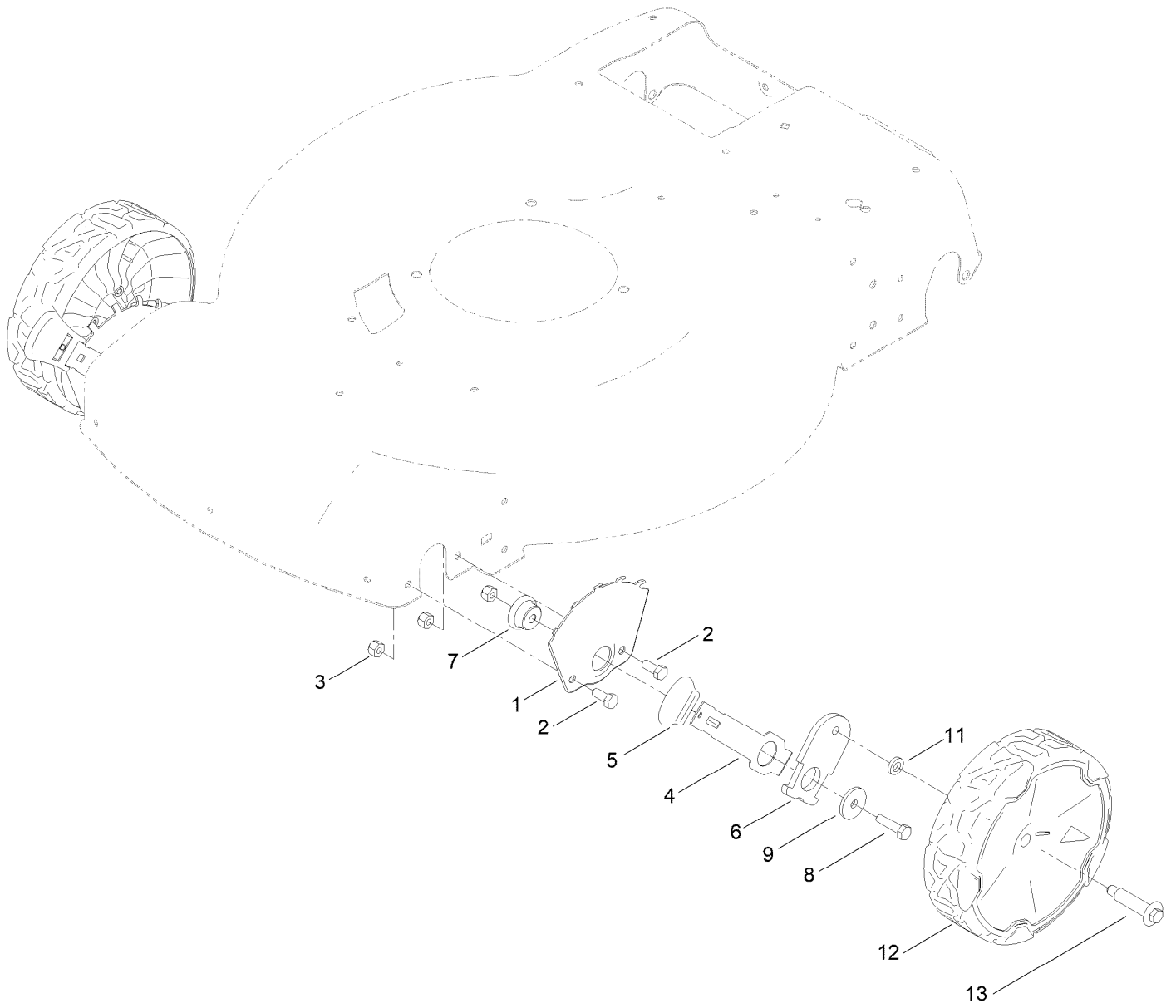


Motor Module Assembly No. 140-4152

Upper Shroud Assembly (continued)

<i>Ref.</i>	<i>Part Number</i>	<i>Qty.</i>	<i>Description</i>	<i>Ref.</i>	<i>Part Number</i>	<i>Qty.</i>	<i>Description</i>
1	139-6638	1	Shroud-Upper	6	139-6641	1	Spring-RH
2	114-5896	2	Magnet	7	95-4234	2	Screw-PPH
3	130-6658	8	Screw-Flange, Plastic	8	136-9118	1	Decal-Hood, Top
4	139-6639	1	Hood	9	136-9119	1	Decal-Hood, Front
5	139-6640	1	Spring-LH				

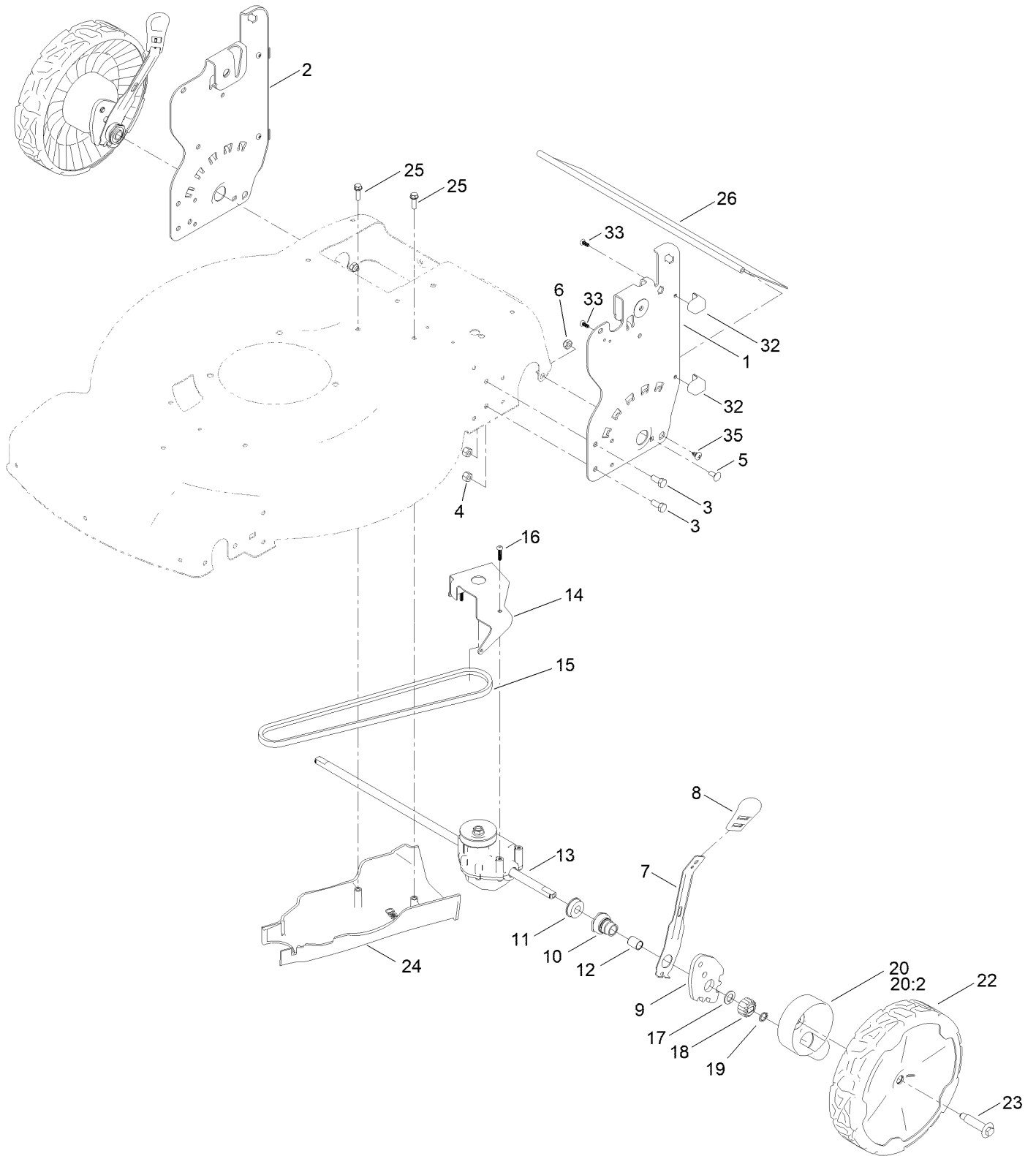
Front Wheel and Height-of-Cut Assembly



Front Wheel and Height-of-Cut Assembly (continued)

<i>Ref.</i>	<i>Part Number</i>	<i>Qty.</i>	<i>Description</i>	<i>Ref.</i>	<i>Part Number</i>	<i>Qty.</i>	<i>Description</i>
1	115-1956-05	2	Plate-HOC,Front Fsvq	7	105-1818	2	Bushing-Mount, HOC
2	137-3052	4	Screw-HH	8	120-9696	2	Screw-HH
3	119-4038	6	Nut-Hex	9	139-1704	2	Washer-Flat
4	105-1809	2	Arm-Spring	11	139-5449	2	Washer-Wheel Bolt
5	110-0549	2	Knob-HOC	12	140-2355	2	ASM-8" Wheel, Idler
6	137-9128	2	Arm-Pivot, Front	13	145-3899	2	Wheel Bolt

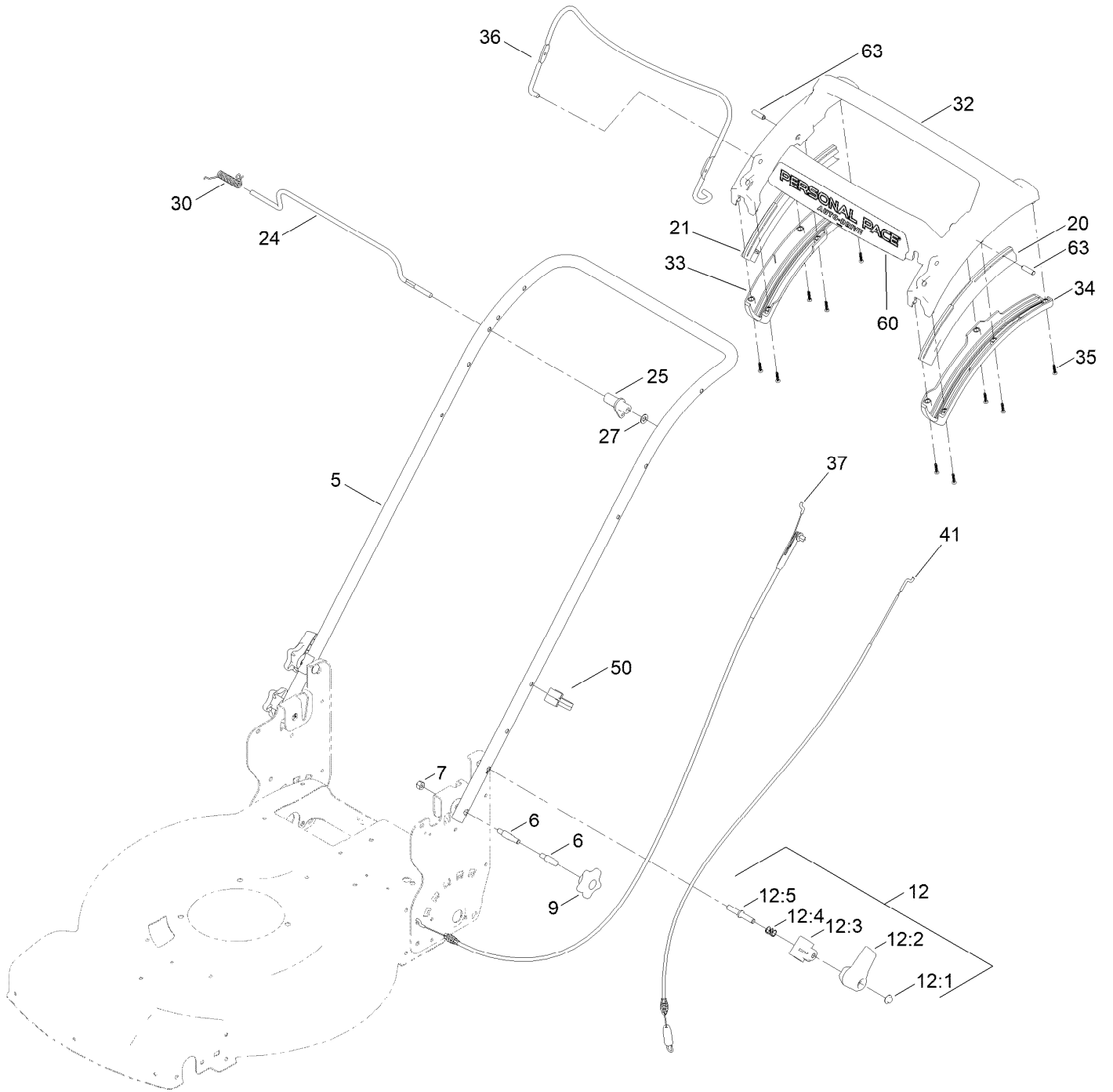
Rear Wheel and Height-of-Cut Assembly



Rear Wheel and Height-of-Cut Assembly (continued)

<i>Ref.</i>	<i>Part Number</i>	<i>Qty.</i>	<i>Description</i>	<i>Ref.</i>	<i>Part Number</i>	<i>Qty.</i>	<i>Description</i>
1	144-6477-05	1	Plate-HOC, LH	16	120-9676	3	Screw-Plastite
2	139-6592-05	1	Plate-HOC, RH (2 Hole)	17	110-7191	2	Washer-Thrust
3	137-3052	4	Screw-HH	18	131-5399	2	Gear-Pinion, 15T
4	119-4038	4	Nut-Hex	19	32151-61	2	Ring-Retaining
5	100-1445	2	Bolt-CARR	20	140-2362	2	ASM-Cover, Gear (Dk Gray)
6	139-1724	2	Nut-Lock	20:2	614426	1	Washer-Stepped
7	132-4486	2	Arm-Spring	22	140-2350	2	ASM-9.65" Wheel, Geared
8	110-0549	2	Knob-HOC	23	145-3899	2	Wheel Bolt
9	139-5451	2	Arm-Pivot, Rear	24	139-5448	1	Cover-Belt, Rwd
10	108-9779	2	Retainer-Bushing, HOC	25	137-3099	2	Screw-Plastite, HWH
11	104-8699	2	Bearing-Ball	26	139-6597	1	Shield-Trailing
12	108-9782	2	Bushing-Sleeve	32	140-2369	4	Pad-Smart Stow
13	139-6561	1	Transmission-Rwd	33	137-9137	4	Screw-PPH
14	114-7977-03	1	Bracket-Transmission	35	139-1692	2	Screw-Thd
15	140-4041	1	V-Belt				

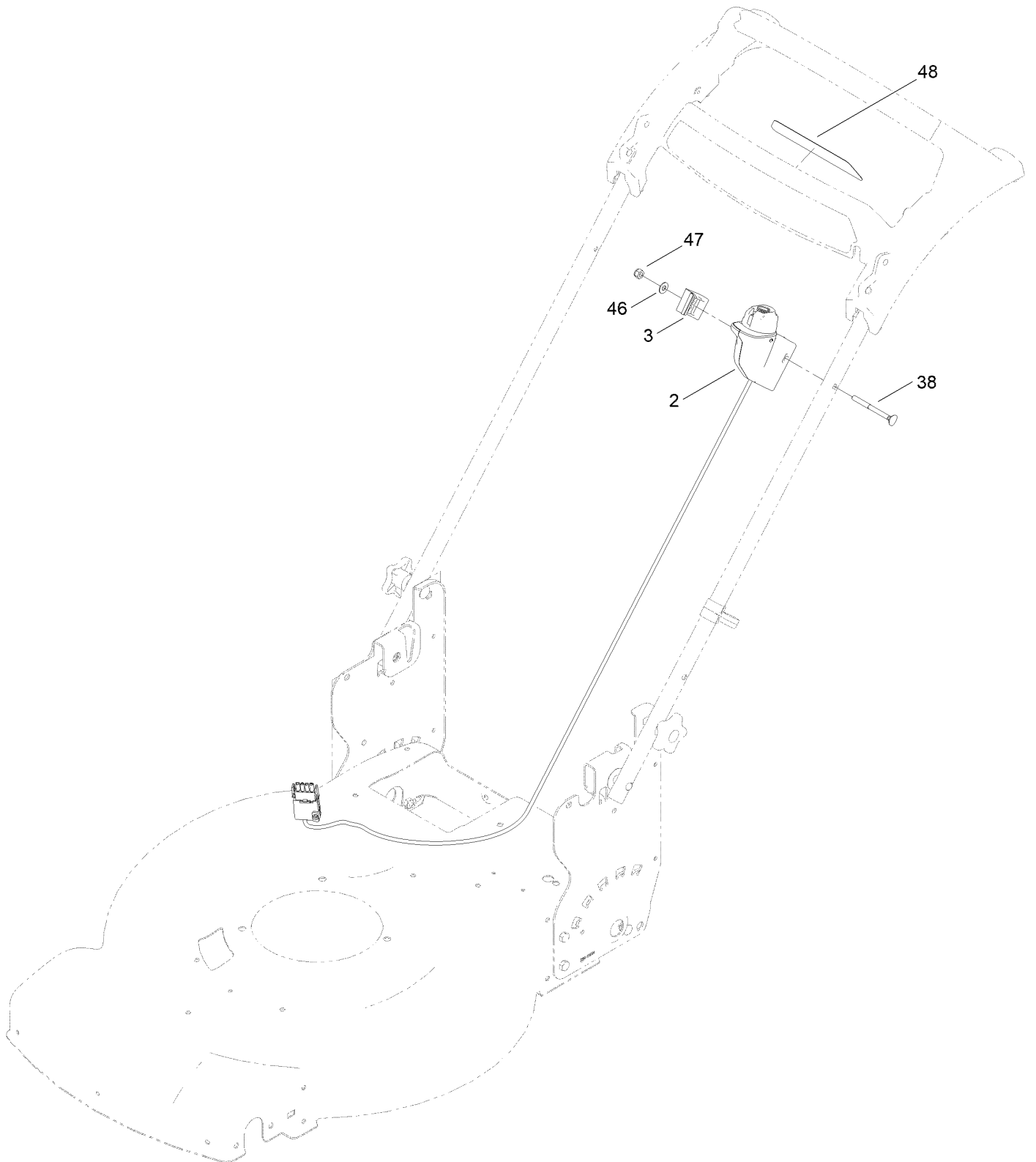
Handle Assembly



Handle Assembly (continued)

<i>Ref.</i>	<i>Part Number</i>	<i>Qty.</i>	<i>Description</i>	<i>Ref.</i>	<i>Part Number</i>	<i>Qty.</i>	<i>Description</i>
5	144-6516-05	1	Handle-Curved	27	120-9683	1	Washer-Plain
6	139-6588	2	Bolt-Shoulder, Handle	30	140-4194	1	Spring-Torsion
7	119-4038	1	Nut-Hex	32	139-6569	1	Handle-Personal Pace, Curved
9	117-5976	2	Knob-Handle	33	139-6567	1	Bottom-Handle, RH
12	138-3249	2	Quick Release ASM	34	139-6568	1	Bottom-Handle, LH
12:1	140-4157	1	Nut-Push	35	94-4496	10	Screw-PPH
12:2	138-3248	1	Lever-Release	36	145-5879-03	1	Bail-Brake
12:3	138-3253	1	Anchor-Spring	37	139-6594	1	Cable-Brake, Pp B&s
12:4	115-2858	1	Spring-Compression	41	139-6595	1	Cable-Traction, Rwd (Pp)
12:5	140-4158	1	Rod-Release	50	114-7988	1	Guide-Cable
20	140-2367	1	Guide-Curved, LH (Rwd)	60	145-1459	1	Decal - Ads, Handle
21	140-2366	1	Guide-Curved, RH (Rwd)	63	139-6577	2	Pin-Handle, Pp
24	139-5464	1	Rod-Control, Traction				
25	139-6554	1	Lever-Traction, Rwd				

Starter Switch Assembly



Starter Switch Assembly (continued)

<i>Ref.</i>	<i>Part Number</i>	<i>Qty.</i>	<i>Description</i>	<i>Ref.</i>	<i>Part Number</i>	<i>Qty.</i>	<i>Description</i>
2	144-3179	1	Starter Switch ASM	46	139-1699	1	Washer-Flat
3	140-4128	1	Clamp-Cable	47	137-3094	1	Nut-Hex
38	92-2267	1	Screw-Handle	48	140-1324	1	Decal-Controls (60V, Start)

Attachments and Accessories

For 21864 Flex-Force Power System 60V MAX 55cm Recycler Lawn Mower

Product Name	Model/Part
Chute ASM	139-6556
Lawn Striping Kit with 22in Roller.....	20601
Smart Stow Walk Power Mower Cover	490-2012
Bag-Walk Behind (Toro).....	490-7318
Lawnmower Cover.....	490-7462
60V Brushless Blower (Bare Tool)	51825T
60V Brushless Trimmer (Bare Tool)	51835T
60V Battery Charger 2 Amp CE	81802
60V 6.0 AH Battery CE	81860
60V 7.5 AH Battery CE	81875

Notes:



Count on it.