



Count on it.

Parts Catalog

**Flex-Force Power System™ 60V
MAX 22in**

Recycler® Lawn Mower

Model No. 21466—Serial No. 408895717 and Up



Ordering Replacement Parts

To order replacement parts, please supply the part number, the quantity, and the description of each part desired.

Understanding Reference Numbers

Each identified part in an illustration has a reference number. The reference number for a part also appears in the parts list, along with other information about the part.

This catalog uses two special reference number formats, one to indicate parts in a service assembly and another to indicate the quantity of a given part in an illustration.

Service Assembly Reference Numbers

Parts in service assemblies have reference numbers in the form a:b. The a represents the reference number of the entire service assembly and the b represents a sequential number unique to each part within the service assembly.

For example, a wheel assembly might be identified by reference number 6, the tire by 6:1, the valve by 6:2, and the wheel by 6:3. When you order the assembly identified by reference number 6, you receive all parts identified by reference numbers 6:1, 6:2, and 6:3. However, you may also order any part individually. Reference numbers of this type appear in illustration and in parts lists.

Reference Numbers Indicating Quantity

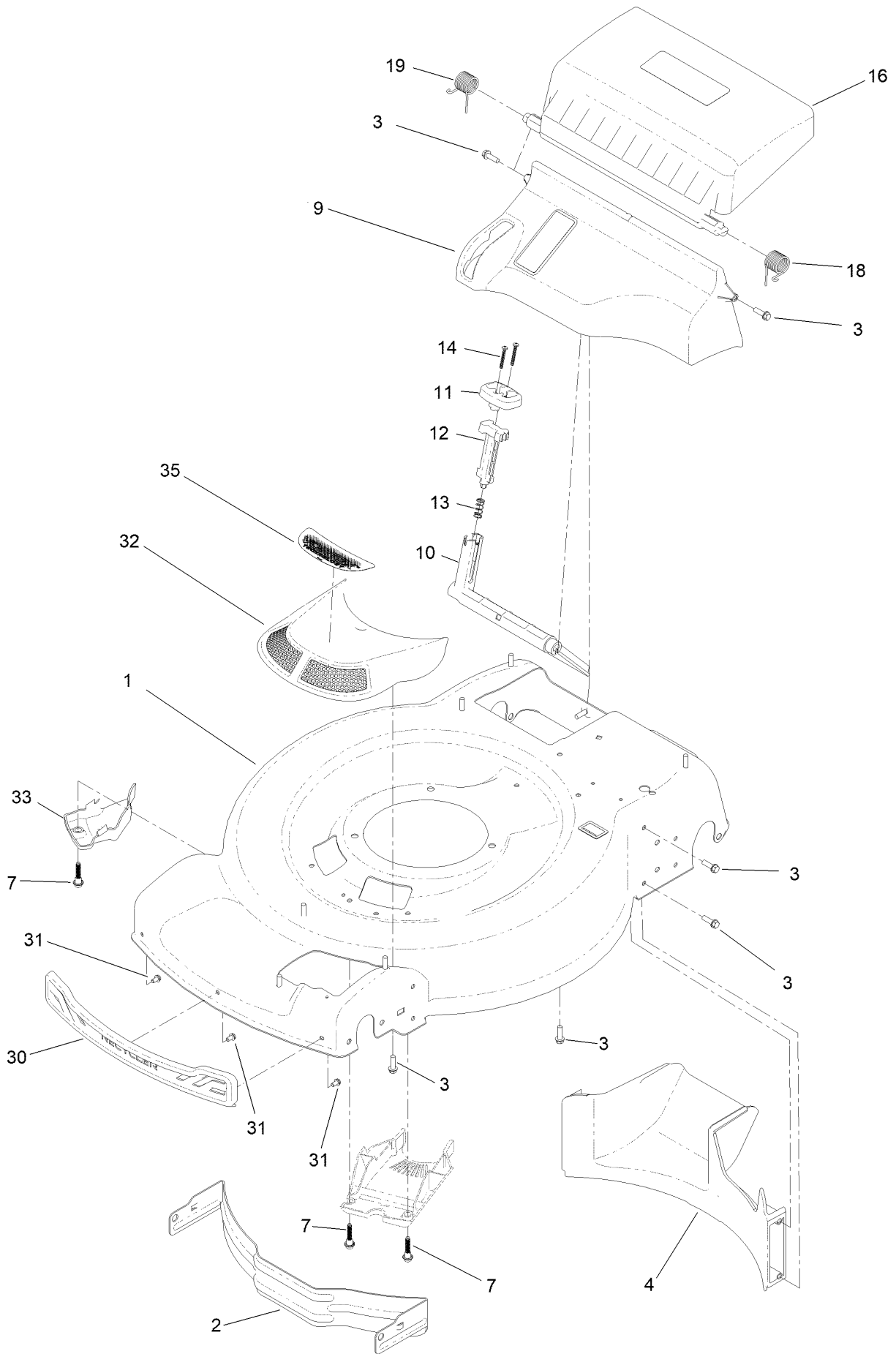
In an illustration, if a reference number indicates more than one part, the reference number has the form nX y. The n represents the quantity of the part, the X is the multiplication symbol, and the y represents the reference number.

For example, in an illustration, the reference number 2X 37 means that two of the parts identified by reference number 37 are indicated.

Contents

Housing Assembly	4
Rear Bag Assembly	6
Decal Assembly	8
Motor Module and Blade Assembly	10
Motor Module Assembly No. 139-1680 Lower Shroud Assembly	12
Motor Module Assembly No. 139-1680 Upper Shroud Assembly	14
Front Wheel and HOC Assembly	16
Rear Wheel and HOC Assembly	18
Handle Assembly	20
Starter Switch Assembly	22
Attachments and Accessories	24

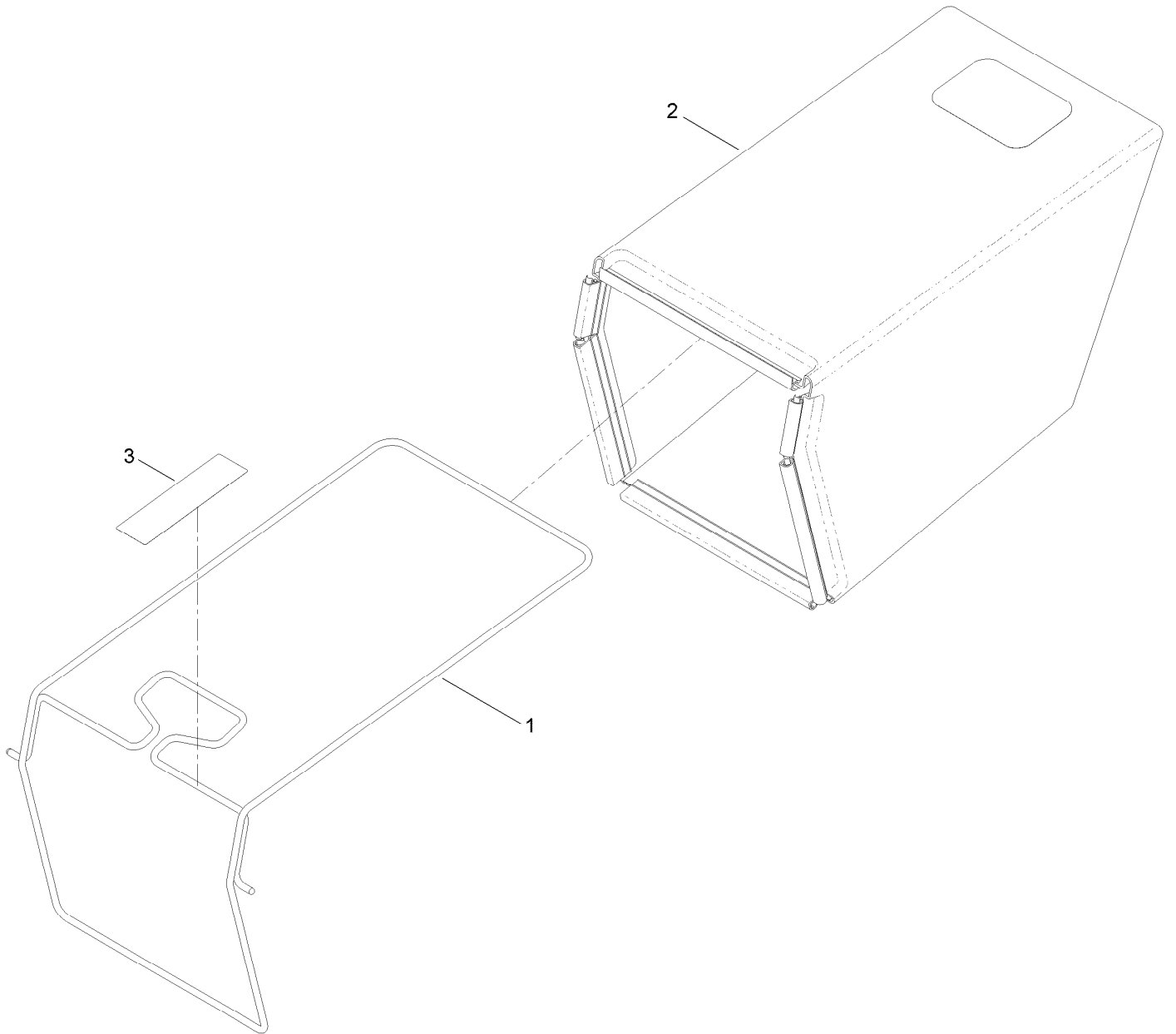
Housing Assembly



Housing Assembly (continued)

<i>Ref.</i>	<i>Part Number</i>	<i>Qty.</i>	<i>Description</i>	<i>Ref.</i>	<i>Part Number</i>	<i>Qty.</i>	<i>Description</i>
1	144-3192	1	Housing ASM	16	140-2396	1	ASM-Rear Door, In-Mold (60V)
2	114-7963-01	1	Baffle-Front	18	139-5478	1	Spring-Torsion, LH
3	46-8091	13	Screw-HWH	19	139-5479	1	Spring-Torsion, RH
4	139-5440	1	Baffle-Rear, Rwd	30	139-5457	1	Bumper-Front
7	131-0837	1	Screw-Shoulder, HHF	31	139-5467	3	Screw-Plastic, HWH
9	140-2368	1	ASM-Chute, In Mold	32	144-0210	1	ASM-Intake, Rwd
10	139-5443	1	Deflector-Recycle	33	140-2384	1	Cover-Intake, Bottom
11	139-5444	1	Knob-Recycle	35	144-3182	1	Decal-60V Vortex Technology
12	139-5445	1	Latch-Recycle				
13	140-4192	1	Spring-Compression				
14	32104-120	2	Screw-PPH				

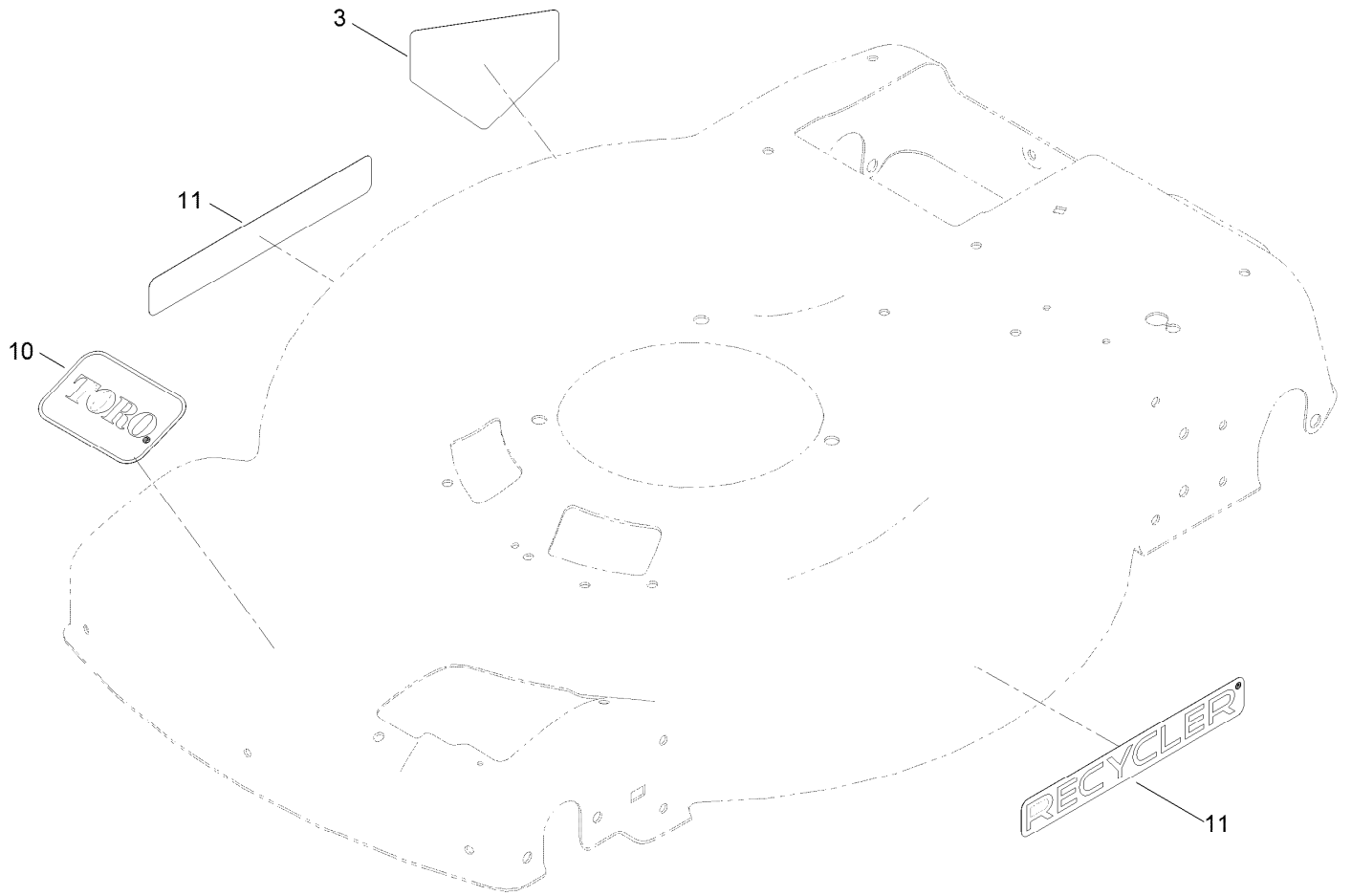
Rear Bag Assembly



Rear Bag Assembly (continued)

<i>Ref.</i>	<i>Part Number</i>	<i>Qty.</i>	<i>Description</i>
1	139-5470-03	1	ASM-Frame, Bag
2	139-5471	1	ASM-Bag, Grass
3	139-8986	1	Decal-Warning (Bag)

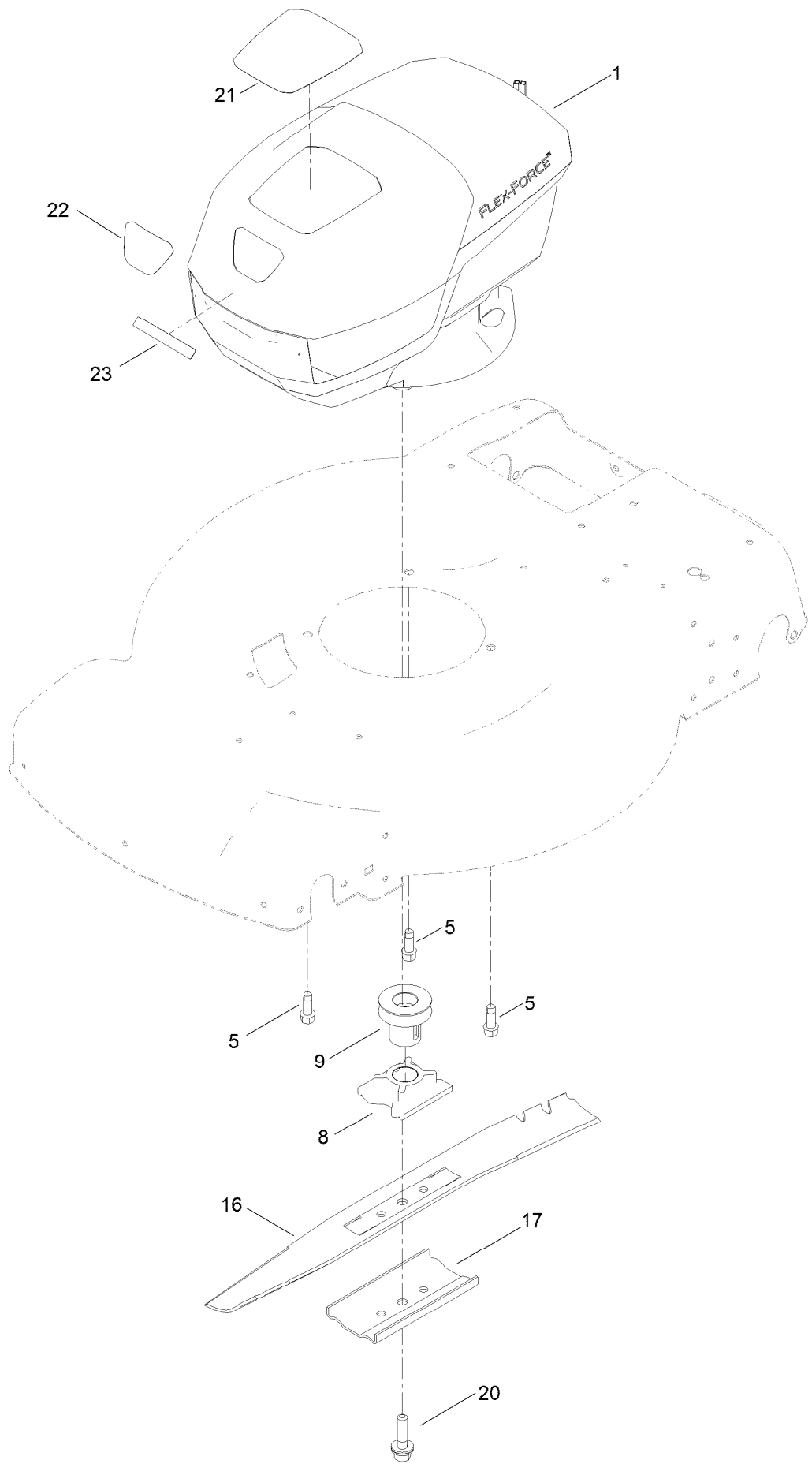
Decal Assembly



Decal Assembly (continued)

<i>Ref.</i>	<i>Part Number</i>	<i>Qty.</i>	<i>Description</i>
3	94-8072	1	Decal-Danger
10	140-4183	1	Decal
11	140-4184	2	Decal

Motor Module and Blade Assembly

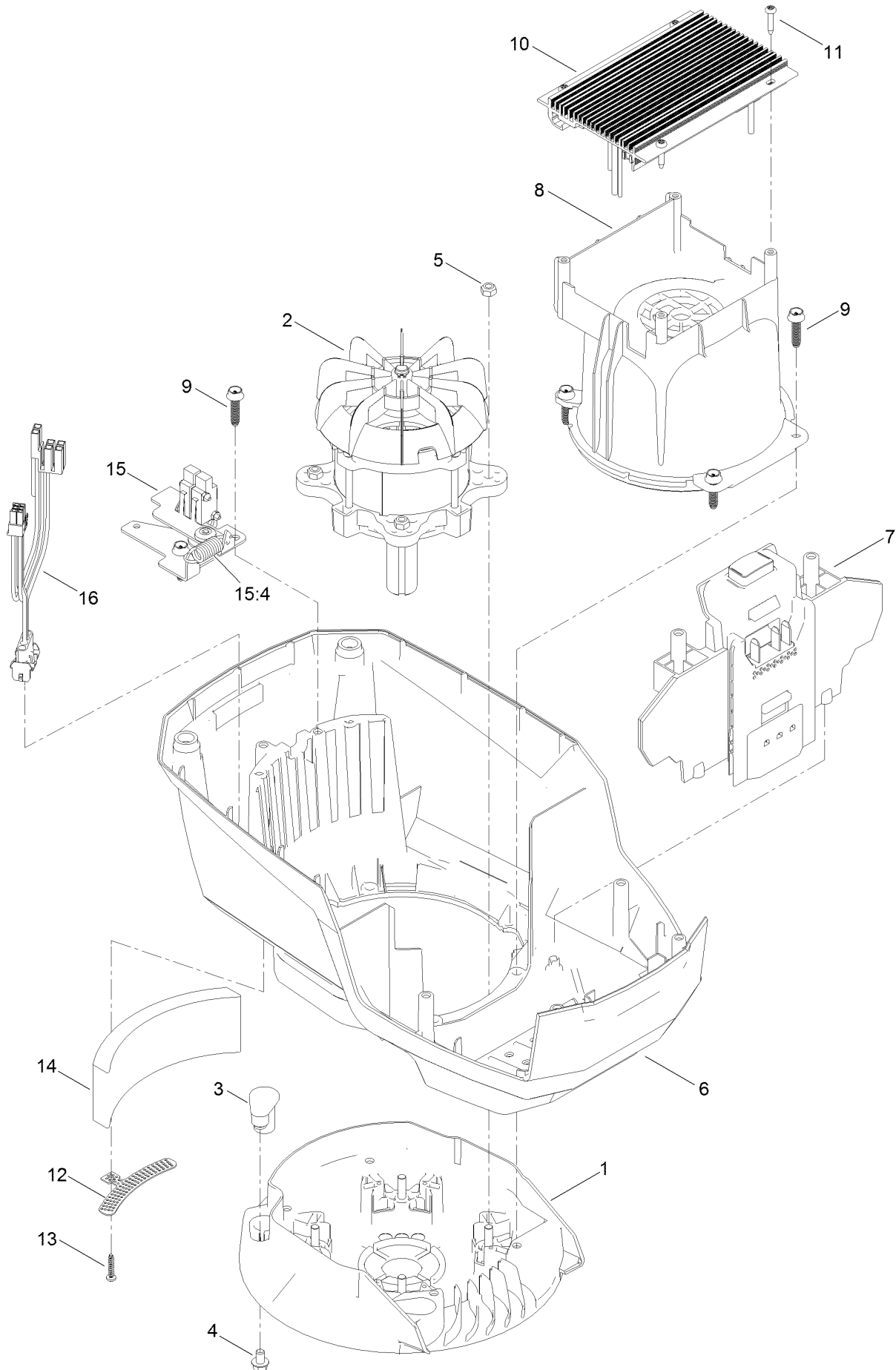


Motor Module and Blade Assembly (continued)

<i>Ref.</i>	<i>Part Number</i>	<i>Qty.</i>	<i>Description</i>	<i>Ref.</i>	<i>Part Number</i>	<i>Qty.</i>	<i>Description</i>
1	139-1680	1	Motor Module (60V)	17	108-3766-03	1	Support-Blade
5	121-5844	3	Screw-Thd Form, HWH	20	117-5270	1	Bolt-Blade
8	125-2454	1	Retainer-Blade	21	140-4190	1	Decal
9	140-1265	1	Pulley	22	140-4191	1	Decal
16	144-3177-03	1	Blade [black]	23	144-3183	1	Decal

Motor Module Assembly No. 139-1680

Lower Shroud Assembly



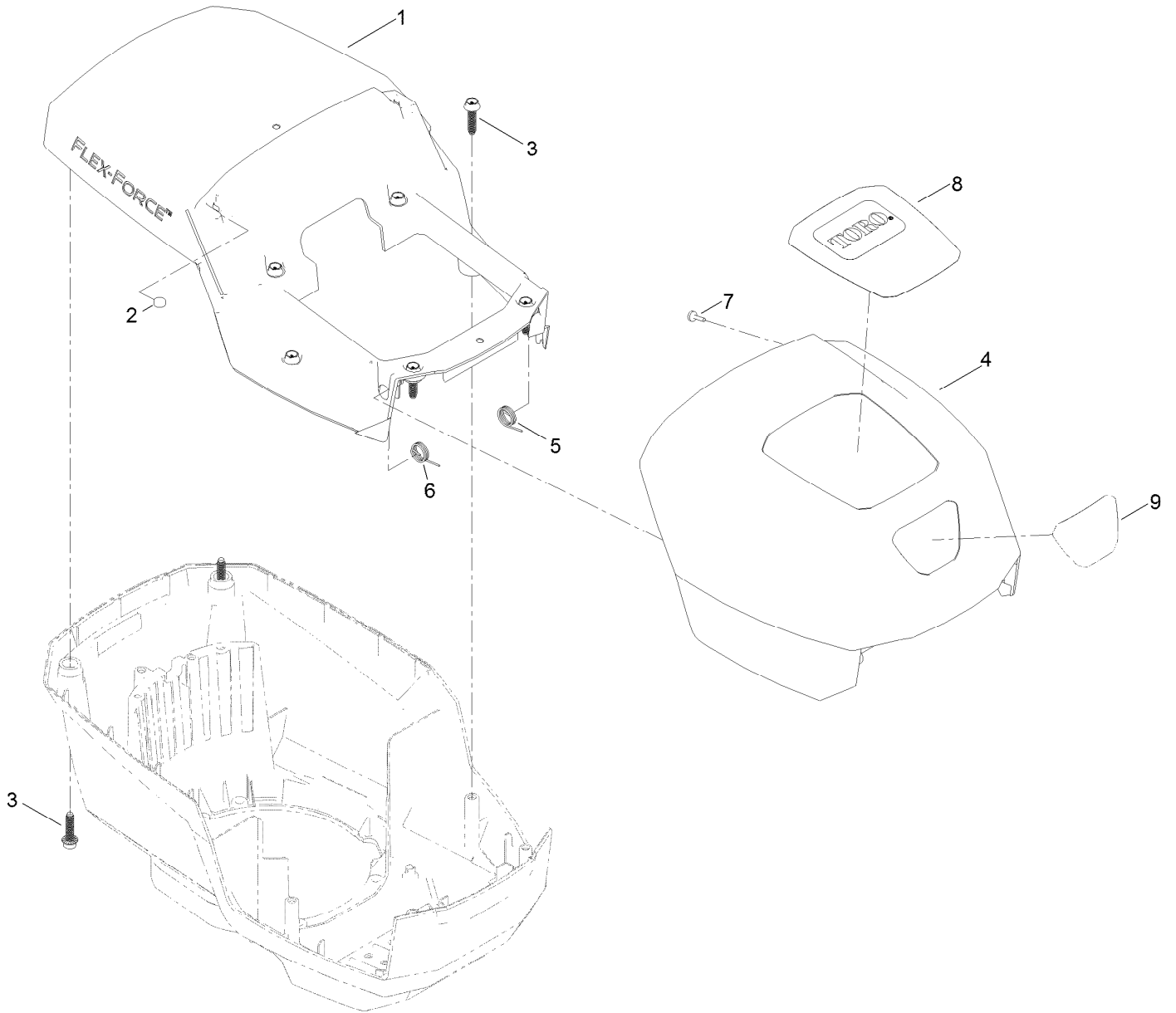
Motor Module Assembly No. 139-1680

Lower Shroud Assembly (continued)

<i>Ref.</i>	<i>Part Number</i>	<i>Qty.</i>	<i>Description</i>	<i>Ref.</i>	<i>Part Number</i>	<i>Qty.</i>	<i>Description</i>
1	139-6628	1	Base-Mount, Motor	10	139-6634	1	Driver-Motor
2	139-6630	1	Motor	11	139-6642	4	Screw
3	131-9732	3	Insert-Mount, Motor	12	139-6635	1	Bracket-Foam
4	137-4795	3	Screw	13	138-3273	1	Screw-Plastic, PPH
5	115-7373	4	Nut-Lock	14	139-6636	1	Foam
6	139-6631	1	Shroud-Lower	15	133-1918	1	Bail Switch ASM
7	139-6632	1	Battery Reciever ASM	15:4	104-6478	1	Spring-Extension
8	139-6633	1	Shroud-Motor	16	139-6637	1	Harness-Wire
9	130-6658	6	Screw-Flange, Plastic				

Motor Module Assembly No. 139-1680

Upper Shroud Assembly

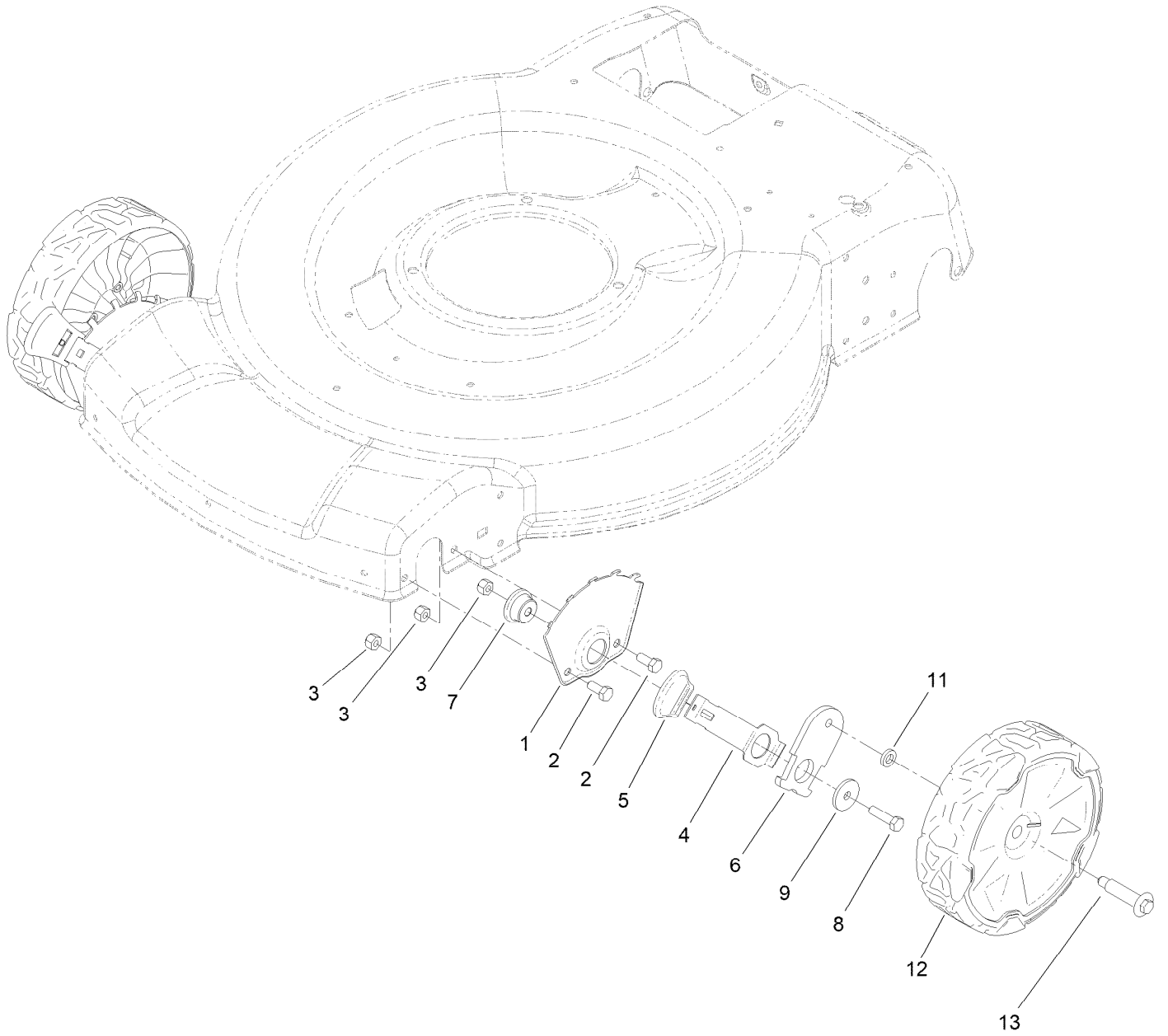


Motor Module Assembly No. 139-1680

Upper Shroud Assembly (continued)

<i>Ref.</i>	<i>Part Number</i>	<i>Qty.</i>	<i>Description</i>	<i>Ref.</i>	<i>Part Number</i>	<i>Qty.</i>	<i>Description</i>
1	139-6638	1	Shroud-Upper	6	139-6641	1	Spring-RH
2	114-5896	2	Magnet	7	95-4234	2	Screw-PPH
3	130-6658	8	Screw-Flange, Plastic	8	136-9118	1	Decal-Hood, Top
4	139-6639	1	Hood	9	136-9119	1	Decal-Hood, Front
5	139-6640	1	Spring-LH				

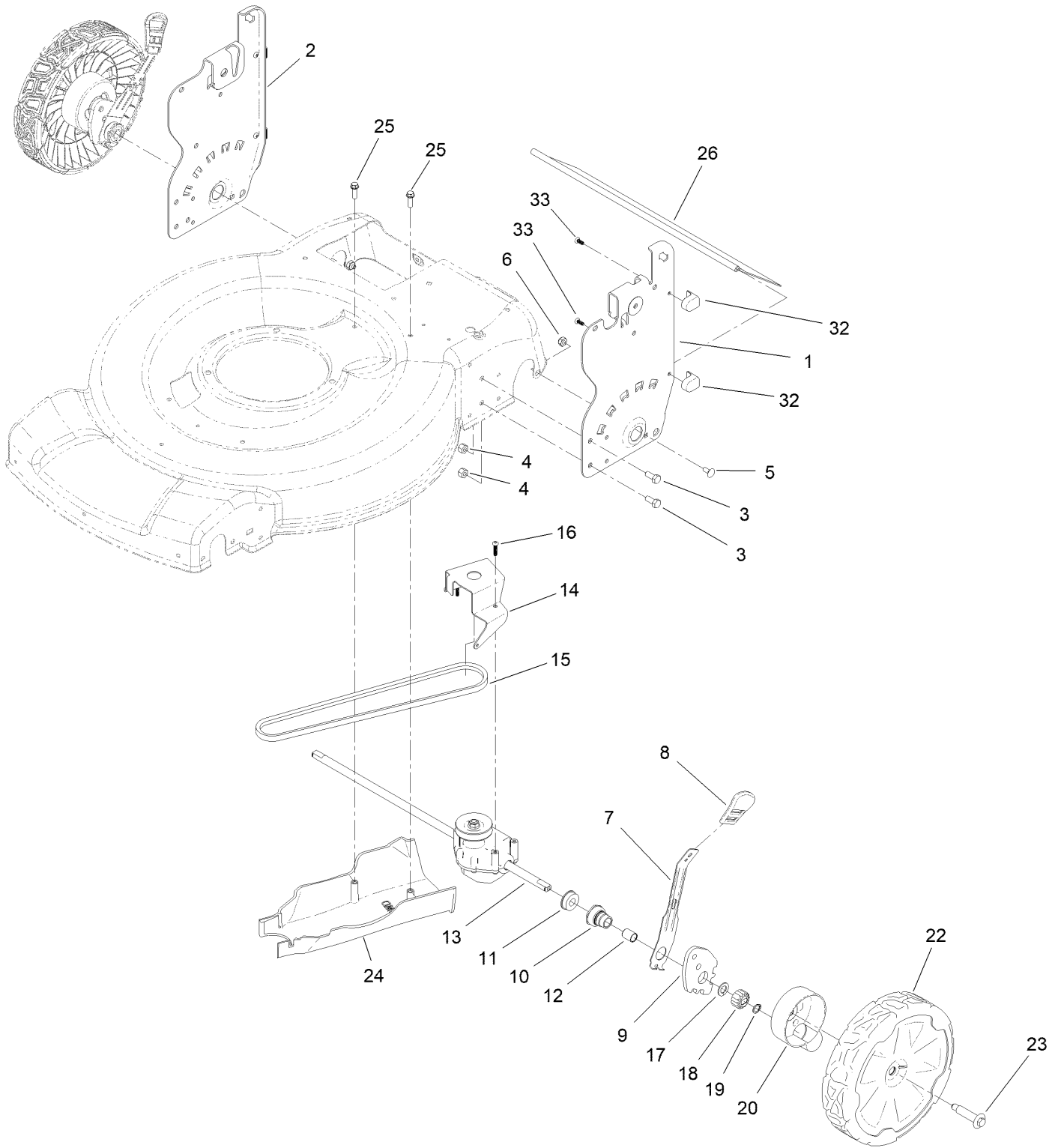
Front Wheel and HOC Assembly



Front Wheel and HOC Assembly (continued)

<i>Ref.</i>	<i>Part Number</i>	<i>Qty.</i>	<i>Description</i>	<i>Ref.</i>	<i>Part Number</i>	<i>Qty.</i>	<i>Description</i>
1	115-1956-05	2	Plate-HOC,Front Fsvq	7	105-1818	2	Bushing-Mount, HOC
2	322-3	4	Screw-HH	8	322-6	2	Screw-HH
3	3296-29	6	Nut-Lock, NI	9	105-3048	2	Washer-Flat
4	105-1809	2	Arm-Spring	11	139-5449	2	Washer-Wheel Bolt
5	110-0549	2	Knob-HOC	12	140-2355	2	ASM-8" Wheel, Idler
6	137-9128	2	Arm-Pivot, Front	13	139-1789	2	Wheel Bolt

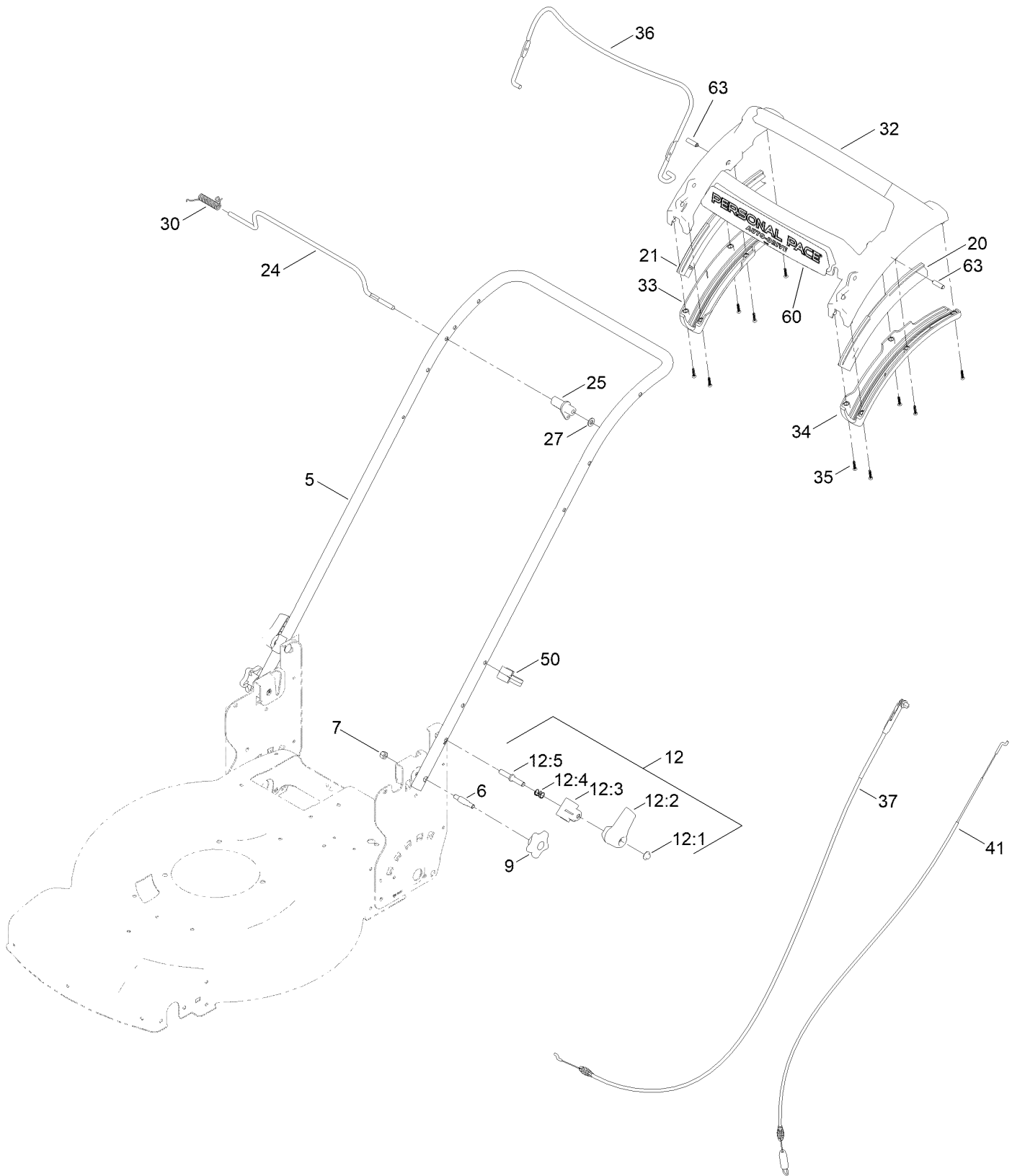
Rear Wheel and HOC Assembly



Rear Wheel and HOC Assembly (continued)

<i>Ref.</i>	<i>Part Number</i>	<i>Qty.</i>	<i>Description</i>	<i>Ref.</i>	<i>Part Number</i>	<i>Qty.</i>	<i>Description</i>
1	139-6593-05	1	Plate-HOC, LH (2 Hole)	15	140-4041	1	V-Belt
2	139-6592-05	1	Plate-HOC, RH (2 Hole)	16	108-7476	3	Screw-Plastite
3	322-3	4	Screw-HH	17	110-7191	2	Washer-Thrust
4	3296-29	4	Nut-Lock, NI	18	131-5399	2	Gear-Pinion, 15T
5	3229-11	2	Screw-CARR	19	32151-61	2	Ring-Retaining
6	3296-16	2	Nut-Lock, NI	20	140-2362	2	ASM-Cover, Gear (Dk Gray)
7	132-4486	2	Arm-Spring	22	140-2350	2	ASM-9.65" Wheel, Geared
8	110-0549	2	Knob-HOC	23	139-1789	2	Wheel Bolt
9	139-5451	2	Arm-Pivot, Rear	24	139-5448	1	Cover-Belt, Rwd
10	108-9779	2	Retainer-Bushing, HOC	25	46-8091	2	Screw-HWH
11	104-8699	2	Bearing-Ball	26	139-6597	1	Shield-Trailing
12	108-9782	2	Bushing-Sleeve	32	140-2369	4	Pad-Smart Stow
13	139-6561	1	Transmission-Rwd	33	107-7461	4	Screw-Plastite
14	114-7977-03	1	Bracket-Transmission				

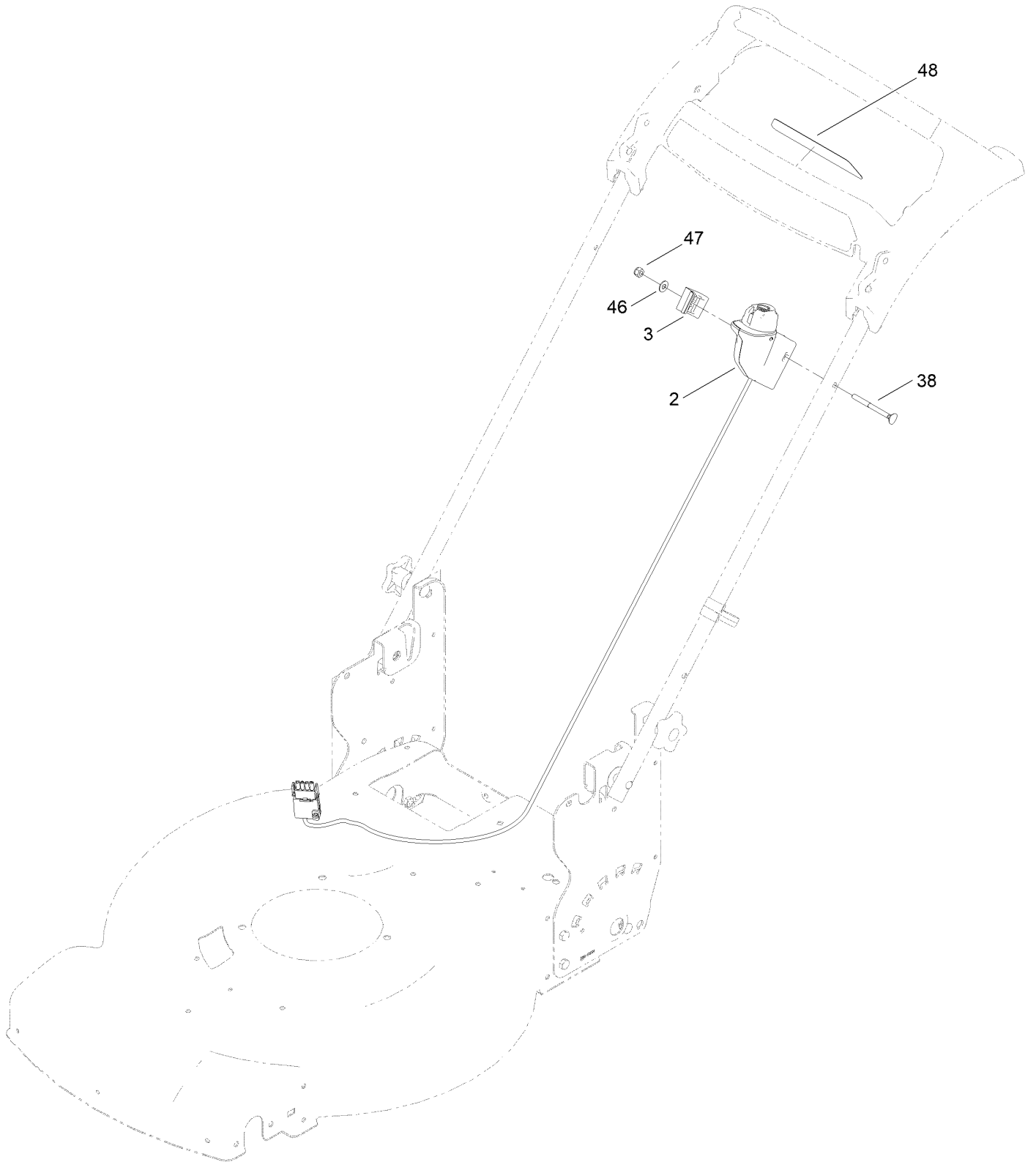
Handle Assembly



Handle Assembly (continued)

<i>Ref.</i>	<i>Part Number</i>	<i>Qty.</i>	<i>Description</i>	<i>Ref.</i>	<i>Part Number</i>	<i>Qty.</i>	<i>Description</i>
5	139-5458-05	1	Handle-Curved	27	3256-23	1	Washer-Plain
6	139-6588	2	Bolt-Shoulder, Handle	30	140-4194	1	Spring-Torsion
7	3296-29	2	Nut-Lock, NI	32	139-6569	1	Handle-Personal Pace, Curved
9	117-5976	2	Knob-Handle	33	139-6567	1	Bottom-Handle, RH
12	138-3249	2	Quick Release ASM	34	139-6568	1	Bottom-Handle, LH
12:1	140-4157	1	Nut-Push	35	94-4496	10	Screw-PPH
12:2	138-3248	1	Lever-Release	36	145-5879-03	1	Bail-Brake
12:3	138-3253	1	Anchor-Spring	37	139-6594	1	Cable-Brake, Pp B&s
12:4	115-2858	1	Spring-Compression	41	139-6595	1	Cable-Traction, Rwd (Pp)
12:5	140-4158	1	Rod-Release	50	114-7988	1	Guide-Cable
20	140-2367	1	Guide-Curved, LH (Rwd)	60	144-3181	1	Decal-60V, Personal Pace
21	140-2366	1	Guide-Curved, RH (Rwd)	63	139-6577	2	Pin-Handle, Pp
24	139-5464	1	Rod-Control, Traction				
25	139-6554	1	Lever-Traction, Rwd				

Starter Switch Assembly



Starter Switch Assembly (continued)

<i>Ref.</i>	<i>Part Number</i>	<i>Qty.</i>	<i>Description</i>	<i>Ref.</i>	<i>Part Number</i>	<i>Qty.</i>	<i>Description</i>
2	140-4145	1	Switch-Starter ASM	46	3256-1	1	Washer-Flat
3	140-4128	1	Clamp-Cable	47	3296-73	1	Nut-Lock, NI
38	92-2267	1	Screw-Handle	48	137-4802	1	Decal-Controls (60V)

Attachments and Accessories

For 21466 Flex-Force Power System 60V MAX 22in Recycler Lawn Mower

Product Name	Model/Part
Lawn Striping Kit with 22in Roller.....	20601
Power Clear 21in 60V Cordless (Bare Tool).....	39901T
Smart Stow Walk Power Mower Cover	490-2012
Bag-Walk Behind (Toro).....	490-7318
Lawnmower Cover.....	490-7462
60V Cordless Blower (Bare Tool).....	51820T
60V Cordless Trimmer (Bare Tool).....	51830T
60v 24in Max Hedge Trimmer (Bare Tool).....	51840T
16in 60V Max Chainsaw (Bare Tool).....	51850T
60V Battery Charger 2 AMP	88602
60V LI-ION, Battery 4.0 AH	88640
60V LI-ION Battery 6.0 AH.....	88660
60V LI-ION Battery 7.5 AH.....	88675

Notes:

Notes:

Notes:



Count on it.