



Count on it.

Parts Catalog

**72in Side Discharge Rotary
Mower**

**Groundsmaster® 3200 or 3300 Series
Traction Unit**

Model No. 31972—Serial No. 412400000 and Up



Ordering Replacement Parts

To order replacement parts, please supply the part number, the quantity, and the description of each part desired.

Understanding Reference Numbers

Each identified part in an illustration has a reference number. The reference number for a part also appears in the parts list, along with other information about the part.

This catalog uses two special reference number formats, one to indicate parts in a service assembly and another to indicate the quantity of a given part in an illustration.

Service Assembly Reference Numbers

Parts in service assemblies have reference numbers in the form a:b. The a represents the reference number of the entire service assembly and the b represents a sequential number unique to each part within the service assembly.

For example, a wheel assembly might be identified by reference number 6, the tire by 6:1, the valve by 6:2, and the wheel by 6:3. When you order the assembly identified by reference number 6, you receive all parts identified by reference numbers 6:1, 6:2, and 6:3. However, you may also order any part individually. Reference numbers of this type appear in illustration and in parts lists.

Reference Numbers Indicating Quantity

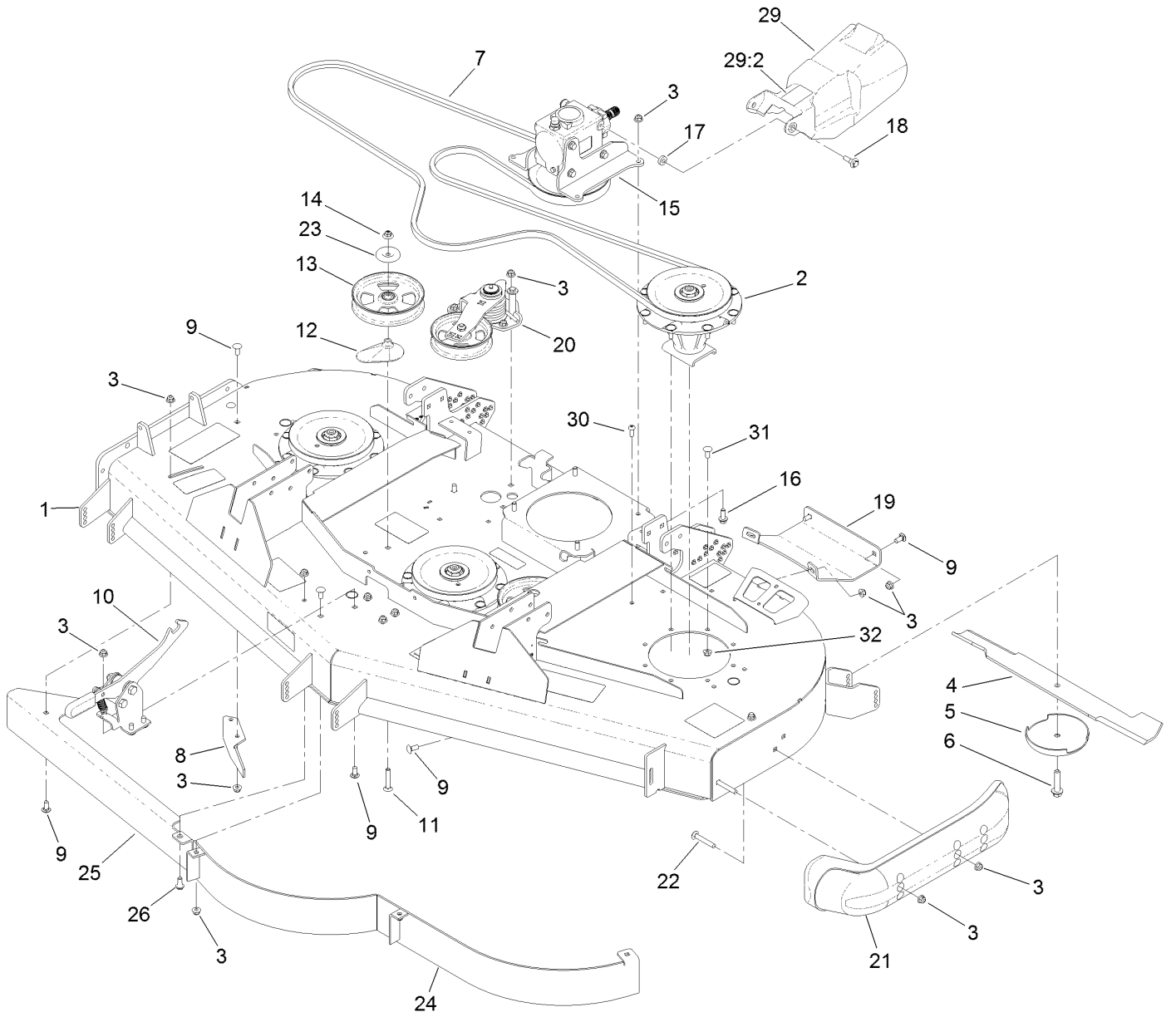
In an illustration, if a reference number indicates more than one part, the reference number has the form nX y. The n represents the quantity of the part, the X is the multiplication symbol, and the y represents the reference number.

For example, in an illustration, the reference number 2X 37 means that two of the parts identified by reference number 37 are indicated.

Contents

Deck Assembly	4
Deck Decal Assembly No. 138-4511SP	6
Spindle Assembly No. 138-4514	8
Latch Assembly No. 139-0888	10
Gearbox Assembly	12
Gearbox Assembly No. 145-5990	14
Tensioner Assembly No. 138-0266	16
Belt Cover, Caster Arm and Wheel Assembly	18
Rubber Deflector Assembly No. 108-2792	20
Wheel Assembly No. 137-5529	22

Deck Assembly

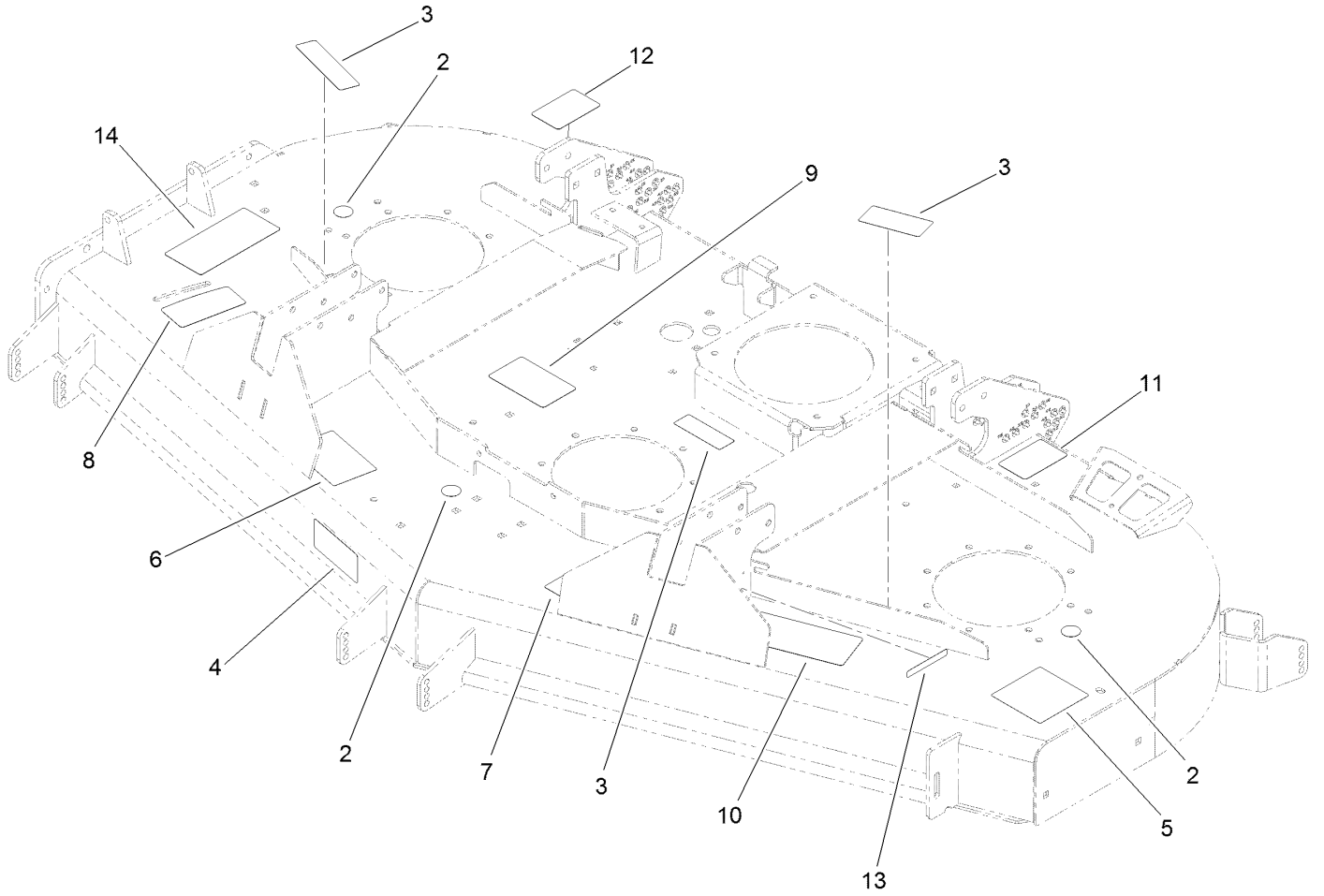


Deck Assembly (continued)

<i>Ref.</i>	<i>Part Number</i>	<i>Qty.</i>	<i>Description</i>	<i>Ref.</i>	<i>Part Number</i>	<i>Qty.</i>	<i>Description</i>
1	138-4511SP	1	Deck W/Decals 72Sd	17	5-0652	2	Spacer
2	138-4514	3	Spindle ASM	18	109-9840	2	Screw-Shoulder, HHF
3	104-8301	50	Nut-HF, NI	19	137-2560-01	1	Plate-Skid
4	110-0622-03	3	Blade-Rotary, High Flow	20	138-0266	1	Tensioner ASM
5	72-9361	3	Cup-Scalp, Anti	21	112-1479	1	Skid-Bumper, Deck
6	92-5816	3	Bolt-Blade	22	3231-44	2	Screw-CARR
7	126-2538	1	Belt-Drive, Deck	23	126-8043	2	Shield-Dust
8	106-3216-01	1	Baffle-Discharge	24	138-7328-01	1	Baffle
9	3231-27	18	Screw-CARR	25	138-6051-01	1	Plate-Baffle
10	139-0888	1	Latch ASM	26	94-7582	1	Bolt-Shoulder
11	3231-40	2	Bolt-CARR	29	139-6301	1	PTO Guard W/Decals
12	109-2872	2	Spacer-Pulley	29:2	139-6303	1	Decal-Danger, Entanglement
13	136-5404	2	Pulley-Idler, Flat	30	3274-80	1	Screw-HH
14	109-6658	2	Nut-Flange, NI	31	3230-10	4	Bolt-CARR
15		1	Gearbox ASM ●	32	104-8300	4	Nut-HF, NI
16	3231-22	4	Screw-CARR				

● Not serviced separately

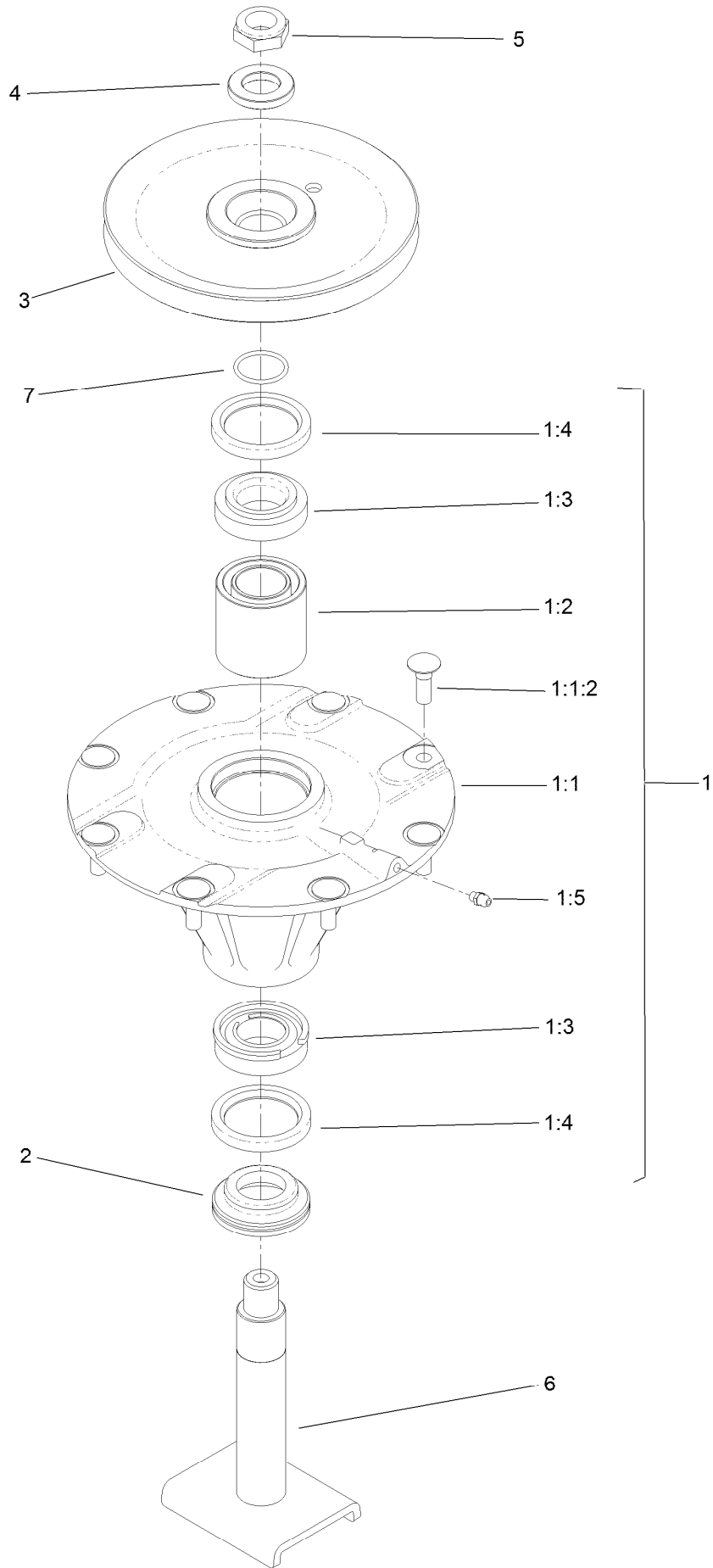
Deck Decal Assembly No. 138-4511SP



Deck Decal Assembly No. 138-4511SP (continued)

<i>Ref.</i>	<i>Part Number</i>	<i>Qty.</i>	<i>Description</i>	<i>Ref.</i>	<i>Part Number</i>	<i>Qty.</i>	<i>Description</i>
2	58-6520	3	Decal-Grease	9	138-7359	1	Decal-Routing, Belt
3	117-4979	3	Decal-Warning	10	137-5949	1	Decal-HOC
4	93-7818	1	Decal-Torque, Blade Bolt	11	137-5947	1	Decal-HOC, LH
5	120-6604	1	Decal-Danger	12	137-5948	1	Decal-HOC, RH
6	57-0280	1	Decal	13	133-8061	1	Decal-Warning
7	127-0326	1	Decal-Scalp, Anti	14	140-3073	1	Decal-Danger, CE
8	131-1180	1	Decal-Adjustment, Baffle				

Spindle Assembly No. 138-4514

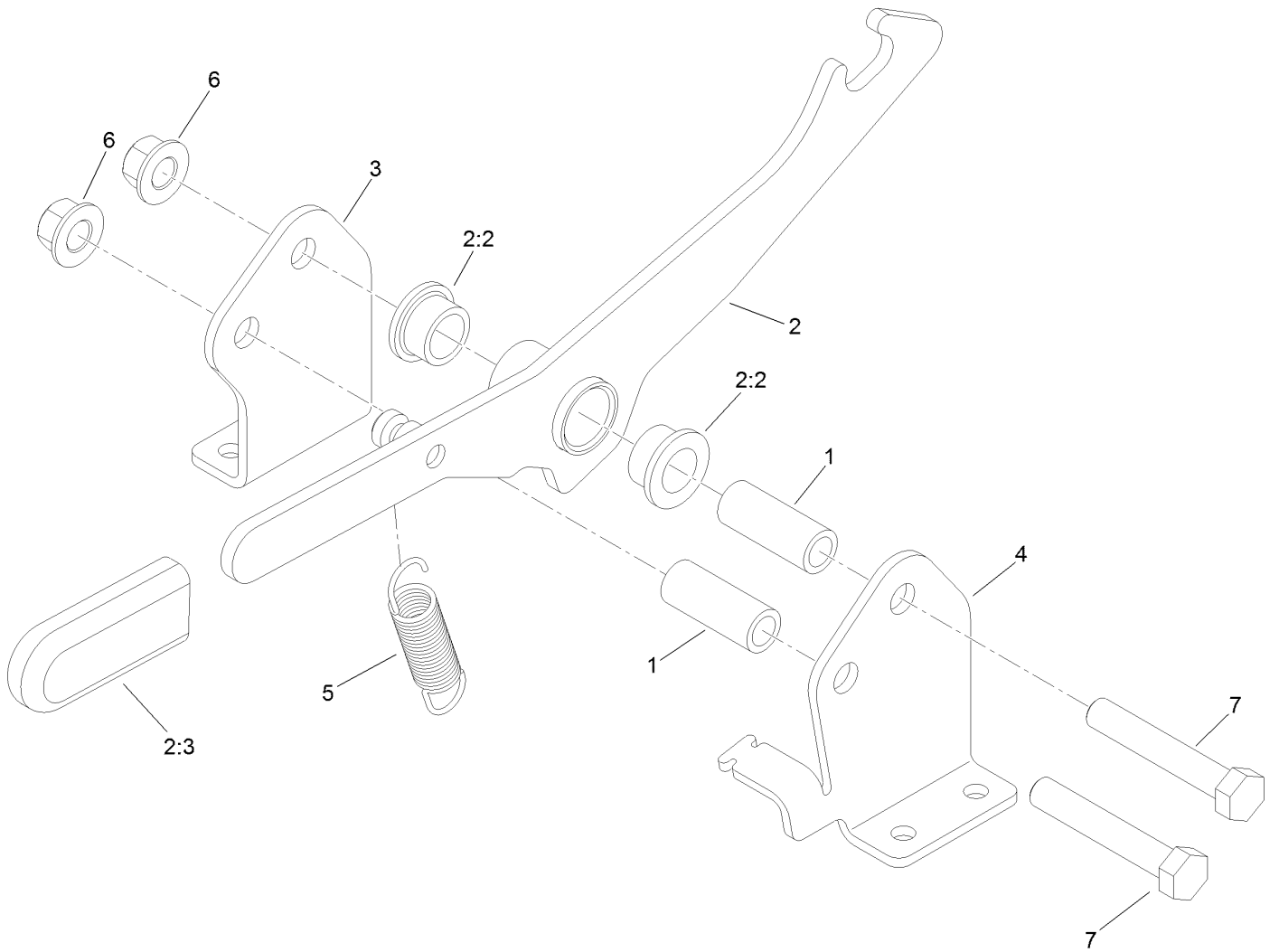


Spindle Assembly No. 138-4514 (continued)

<i>Ref.</i>	<i>Part Number</i>	<i>Qty.</i>	<i>Description</i>	<i>Ref.</i>	<i>Part Number</i>	<i>Qty.</i>	<i>Description</i>
1	139-6338	1	Spindle Housing ASM	2	138-6416	1	Spacer-Spindle, Shaft
1:1		1	Spindle ASM ●	3	138-4523	1	Pulley
1:1:2	114-8195	8	Bolt-Neck, Ribbed	4	120-5576	1	Washer-Hardened
1:2	108-1954	1	Bearing Spacer Set	5	3296-60	1	Nut-Lock, NI
1:3	110-8297	1	Bearing ASM	6	139-1042	1	Spindle-Shaft
1:4	253-154	2	Seal-Oil	7	106-7159	1	O-Ring
1:5	302-5	1	Fitting-Grease				

● Not serviced separately

Latch Assembly No. 139-0888

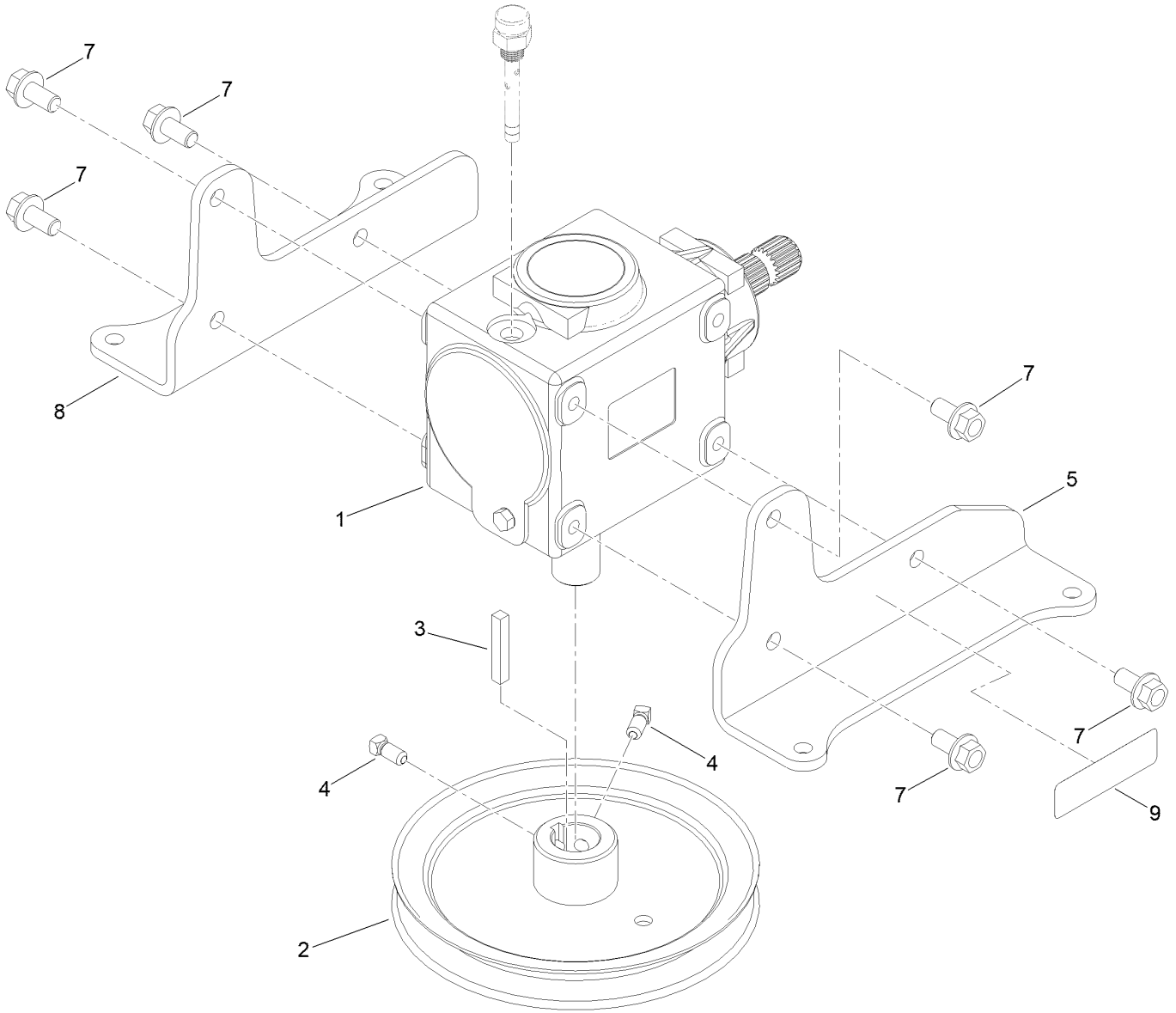


Latch Assembly No. 139-0888 (continued)

<i>Ref.</i>	<i>Part Number</i>	<i>Qty.</i>	<i>Description</i>
1	117-0380	2	Spacer
2	138-0283	1	Latch Arm ASM
2:2	93-2877	2	Bushing
2:3	119-1846	1	Grip
3	139-0889	1	Bracket-Latch, Mount (RH)

<i>Ref.</i>	<i>Part Number</i>	<i>Qty.</i>	<i>Description</i>
4	139-0887	1	Bracket-Latch, Mount (LH)
5	130-9645	1	Spring-Extension
6	99-5107	2	Nut-Lock
7	325-12	2	Screw-HH

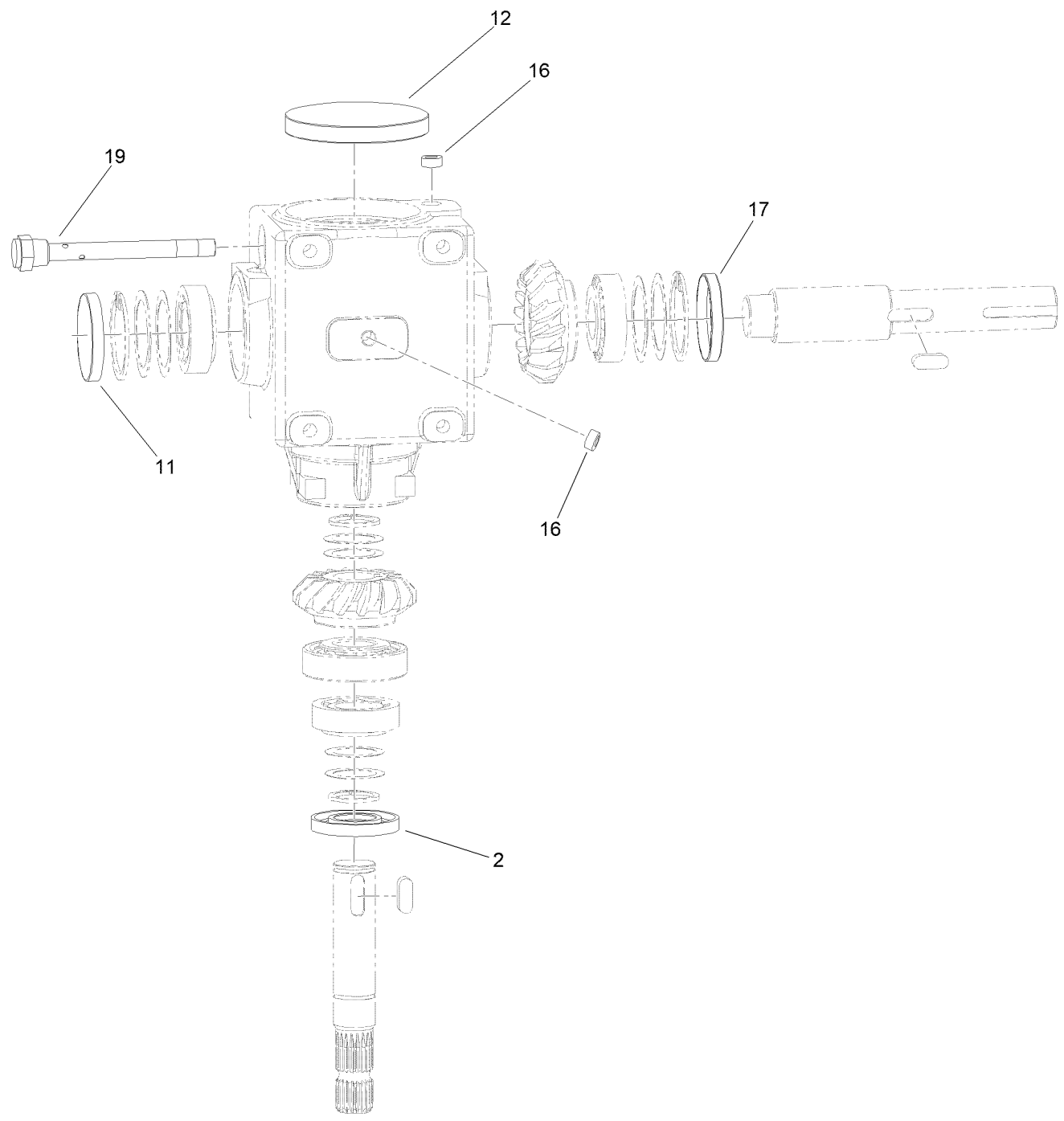
Gearbox Assembly



Gearbox Assembly (continued)

<i>Ref.</i>	<i>Part Number</i>	<i>Qty.</i>	<i>Description</i>	<i>Ref.</i>	<i>Part Number</i>	<i>Qty.</i>	<i>Description</i>
1	145-5990	1	Gearbox	5	144-0494-03	1	Bracket-Gearbox, LH
2	138-0263	1	Pulley	7	139-6300	6	Screw-Hfl
3	94-2425	1	Key-Square	8	144-0495-03	1	Bracket-Gearbox, RH
4	1-803022	2	Screw-Set	9	93-6697	1	Decal-Lube

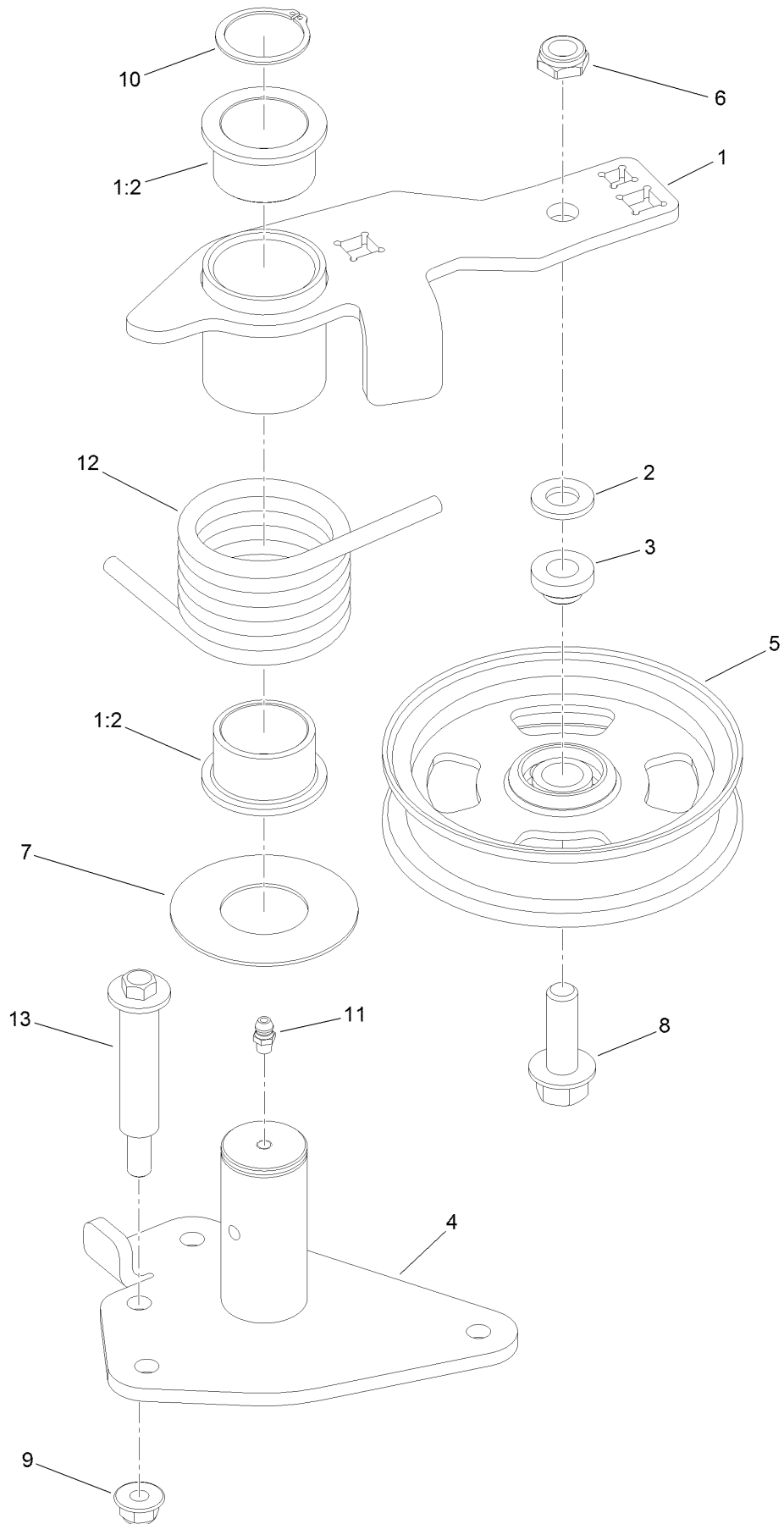
Gearbox Assembly No. 145-5990



Gearbox Assembly No. 145-5990 (continued)

<i>Ref.</i>	<i>Part Number</i>	<i>Qty.</i>	<i>Description</i>	<i>Ref.</i>	<i>Part Number</i>	<i>Qty.</i>	<i>Description</i>
2	140-7133	1	Seal-Oil	16	140-7132	3	Plug
11	140-7129	1	Plug-Cap	17	145-5989	1	Seal-Oil
12	140-7131	1	Plug-Cap	19	140-7130	1	Dipstick

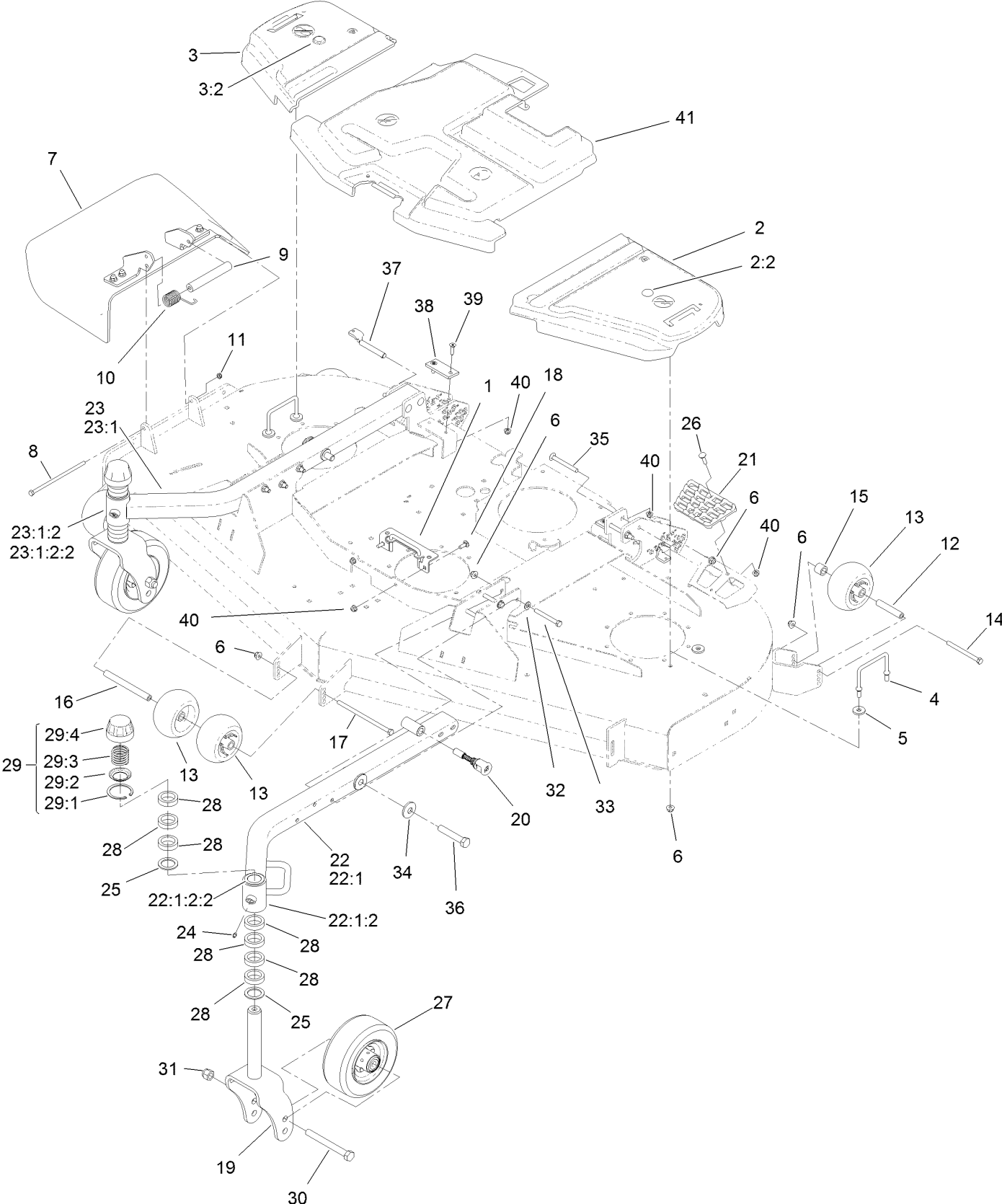
Tensioner Assembly No. 138-0266



Tensioner Assembly No. 138-0266 (continued)

<i>Ref.</i>	<i>Part Number</i>	<i>Qty.</i>	<i>Description</i>	<i>Ref.</i>	<i>Part Number</i>	<i>Qty.</i>	<i>Description</i>
1	144-0503	1	High Idler Arm ASM	7	108-1926	1	Washer
1:2	93-4510	2	Bushing-Caster	8	100-6116	1	Screw-HHF
2	106-9888	1	Washer-Flat	9	104-8301	1	Nut-HF, NI
3	108-1924	1	Spacer-Idler	10	32120-84	1	Ring-Snap, External
4	139-0903	1	Pivot-Idler	11	302-5	1	Fitting-Grease
5	136-5405	1	Pulley-Idler, Flat	12	112-7395	1	Spring-Torsion
6	3296-45	1	Nut-Hex	13	112-3977	1	Bolt-Shoulder

Belt Cover, Caster Arm and Wheel Assembly



Belt Cover, Caster Arm and Wheel Assembly (continued)

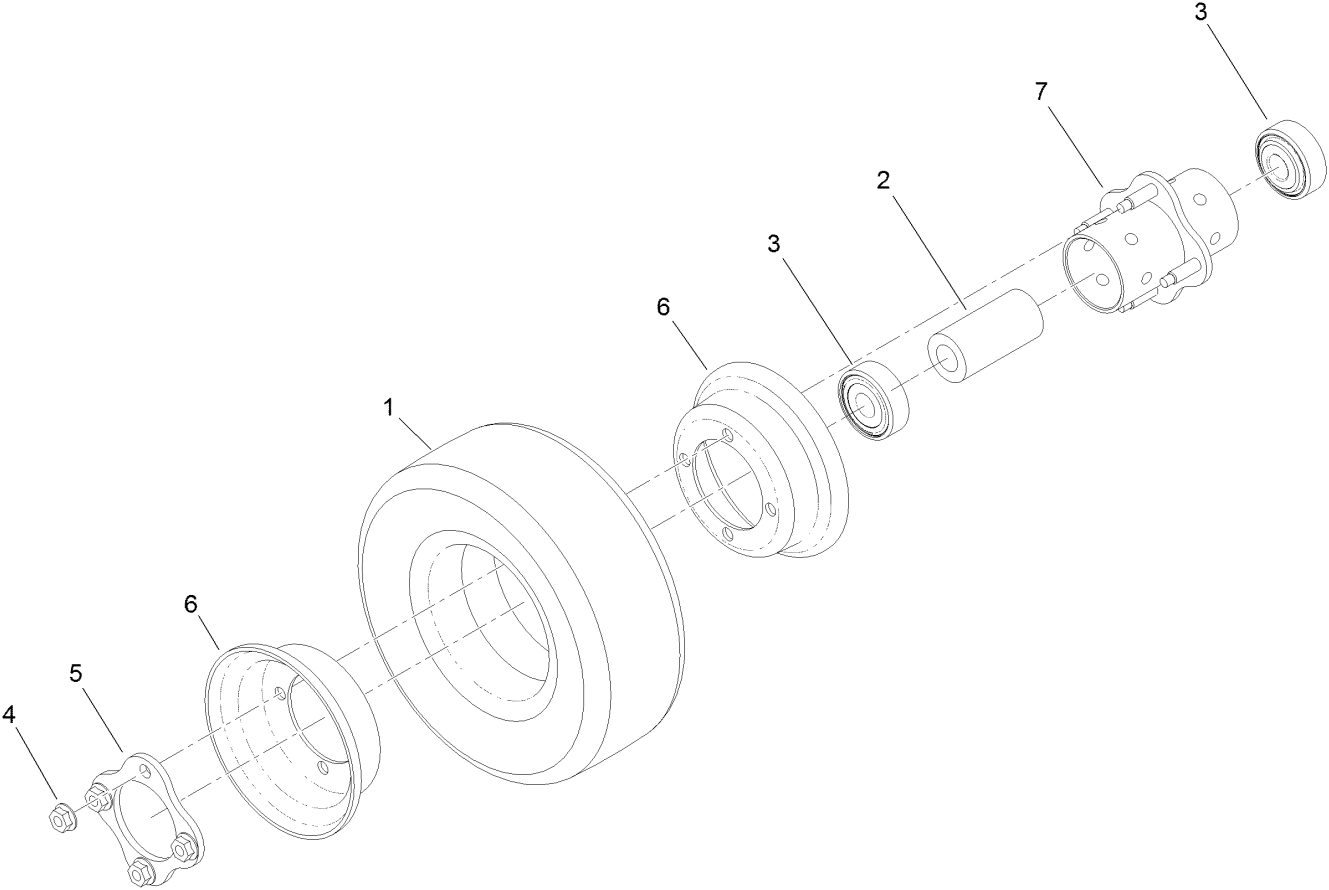
<i>Ref.</i>	<i>Part Number</i>	<i>Qty.</i>	<i>Description</i>	<i>Ref.</i>	<i>Part Number</i>	<i>Qty.</i>	<i>Description</i>
1	139-0932	1	Bracket-Cover, Belt	23	137-5771-01	1	Arm-Caster, RH
2	117-7816	1	LH Belt Cover ASM	23:1		1	Castor Arm RH ASM ●
2:2	117-3824	1	Plug-Plastic	23:1:2		1	Hub ASM ●
3	117-7815	1	RH Belt Cover ASM	23:1:2:2	69-6470	2	Bushing-Caster
3:2	117-3824	1	Plug-Plastic	24	302-5	2	Fitting-Grease
4	109-6982	2	Wireform-Cover	25	69-6860	4	Washer-Thrust
5	1-373034	4	Washer	26	3230-3	1	Screw-CARR
6	104-8301	18	Nut-HF, NI	27	137-5529	2	Wheel ASM
7	108-2792	1	Rubber Deflector ASM	28	69-1510	14	Spacer
8	322-50	1	Screw-HH	29	92-9727	2	HOC Cap ASM
9	105-4622	1	Spacer	29:1	92-5581	1	Ring-Rtng, Snap, Int, Flat
10	108-4052	1	Spring-Torsion	29:2	92-5583	1	Washer-Cap
11	3296-47	1	Nut-Lock, NI	29:3	92-9726	1	Spring-Compression
12	98-7912	3	Tube-Spanner	29:4	92-8861	1	Cap-HOC
13	1-603299	5	Roller-Scalp, Anti	30	327-24	2	Screw-HH
14	323-23	3	Screw-HH	31	3296-53	2	Nut-Lock, NI
15	98-7913	3	Tube-Spacer	32	3256-24	6	Washer-Flat
16	98-5967	1	Spacer-Wheel	33	323-20	6	Screw-HH
17	108-5388	1	Screw-HH	34	103-0865	2	Washer-Blade Bolt, Heavy
18	3230-10	2	Bolt-CARR	35	3231-11	4	Screw-CARR
19	137-2546-01	2	Fork-Caster	36	139-6203	2	Screw-HH
20	139-6345	1	Spring-Pin	37	140-3064	2	Pin-HOC ASM
21	126-4781	1	Step-Deck	38	138-4452	2	Pad-Stop, Deck
22	137-5770-01	1	Arm-Caster, LH	39	133-4543	4	Screw
22:1		1	Castor Arm LH ASM ●	40	104-8300	7	Nut-HF, NI
22:1:2		1	Hub ASM ●	41	138-7373	1	Cover-Belt, Center
22:1:2:2	69-6470	2	Bushing-Caster				

● Not serviced separately

Rubber Deflector Assembly No. 108-2792 (continued)

<i>Ref.</i>	<i>Part Number</i>	<i>Qty.</i>	<i>Description</i>	<i>Ref.</i>	<i>Part Number</i>	<i>Qty.</i>	<i>Description</i>
1	3231-4	4	Screw-CARR	5	108-4059-01	1	Plate-Hinge, Rear
2	106-3246-01	1	Deflector	6	106-3253-01	1	Plate-Hinge, Front
3	106-3248-03	1	Strap-Discharge	7	104-8301	4	Nut-HF, NI
4	108-5029	1	Deflector-Rubber				

Wheel Assembly No. 137-5529



Wheel Assembly No. 137-5529 (continued)

<i>Ref.</i>	<i>Part Number</i>	<i>Qty.</i>	<i>Description</i>
1	136-4424	1	Tire-Pneumatic, Semi
2	93-4241	1	Spacer-Bearing, Inner
3	120-3366	2	Bearing
4	32128-16	4	Nut-HHF

<i>Ref.</i>	<i>Part Number</i>	<i>Qty.</i>	<i>Description</i>
5	93-4242	1	Plate
6	137-5552	2	Rim-Wheel, Half
7	93-5980	1	Hub



Count on it.