



**Count on it.**

**Parts Catalog**

**60in Side Discharge Rotary  
Mower**

**Groundsmaster® 3200 or 3300 Series  
Traction Unit**

**Model No. 31970—Serial No. 408000000 and Up**



# Ordering Replacement Parts

To order replacement parts, please supply the part number, the quantity, and the description of each part desired.

## Understanding Reference Numbers

Each identified part in an illustration has a reference number. The reference number for a part also appears in the parts list, along with other information about the part.

This catalog uses two special reference number formats, one to indicate parts in a service assembly and another to indicate the quantity of a given part in an illustration.

## Service Assembly Reference Numbers

Parts in service assemblies have reference numbers in the form a:b. The a represents the reference number of the entire service assembly and the b represents a sequential number unique to each part within the service assembly.

For example, a wheel assembly might be identified by reference number 6, the tire by 6:1, the valve by 6:2, and the wheel by 6:3. When you order the assembly identified by reference number 6, you receive all parts identified by reference numbers 6:1, 6:2, and 6:3. However, you may also order any part individually. Reference numbers of this type appear in illustration and in parts lists.

## Reference Numbers Indicating Quantity

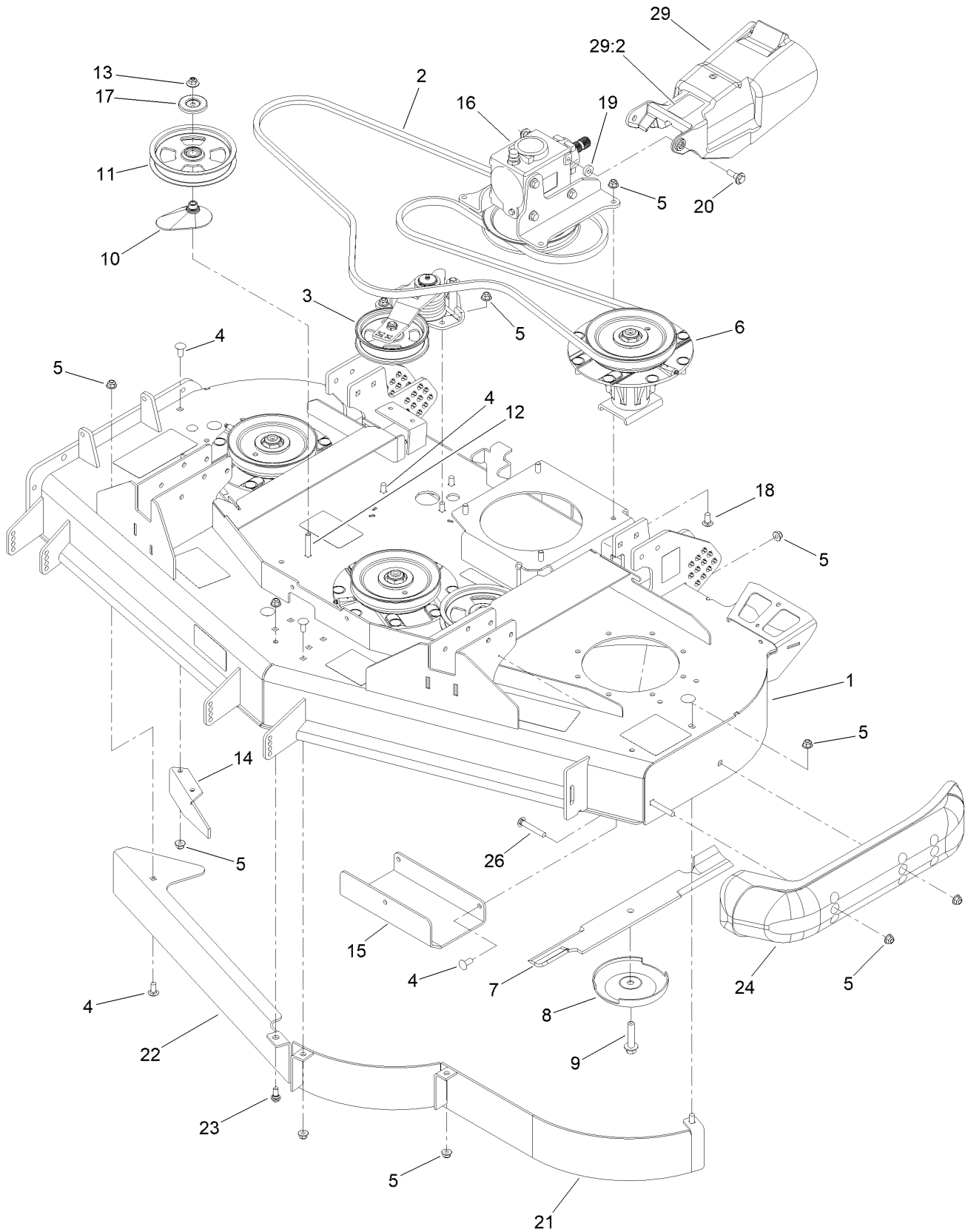
In an illustration, if a reference number indicates more than one part, the reference number has the form nX y. The n represents the quantity of the part, the X is the multiplication symbol, and the y represents the reference number.

For example, in an illustration, the reference number 2X 37 means that two of the parts identified by reference number 37 are indicated.

# Contents

|   |    |
|---|----|
| Deck Assembly .....                             | 4  |
| Deck Decal Assembly No. 138-4441SP .....        | 6  |
| Tensioner Assembly No. 138-0266 .....           | 8  |
| Spindle Assembly No. 138-7310 .....             | 10 |
| Gearbox Assembly .....                          | 12 |
| Gearbox Assembly No. 145-5990 .....             | 14 |
| Belt Cover, Arm Caster and Wheel Assembly ..... | 16 |
| Rubber Deflector Assembly No. 108-2792 .....    | 18 |
| Latch Assembly No. 139-0888 .....               | 20 |
| Wheel Assembly No. 137-5529 .....               | 22 |

# Deck Assembly

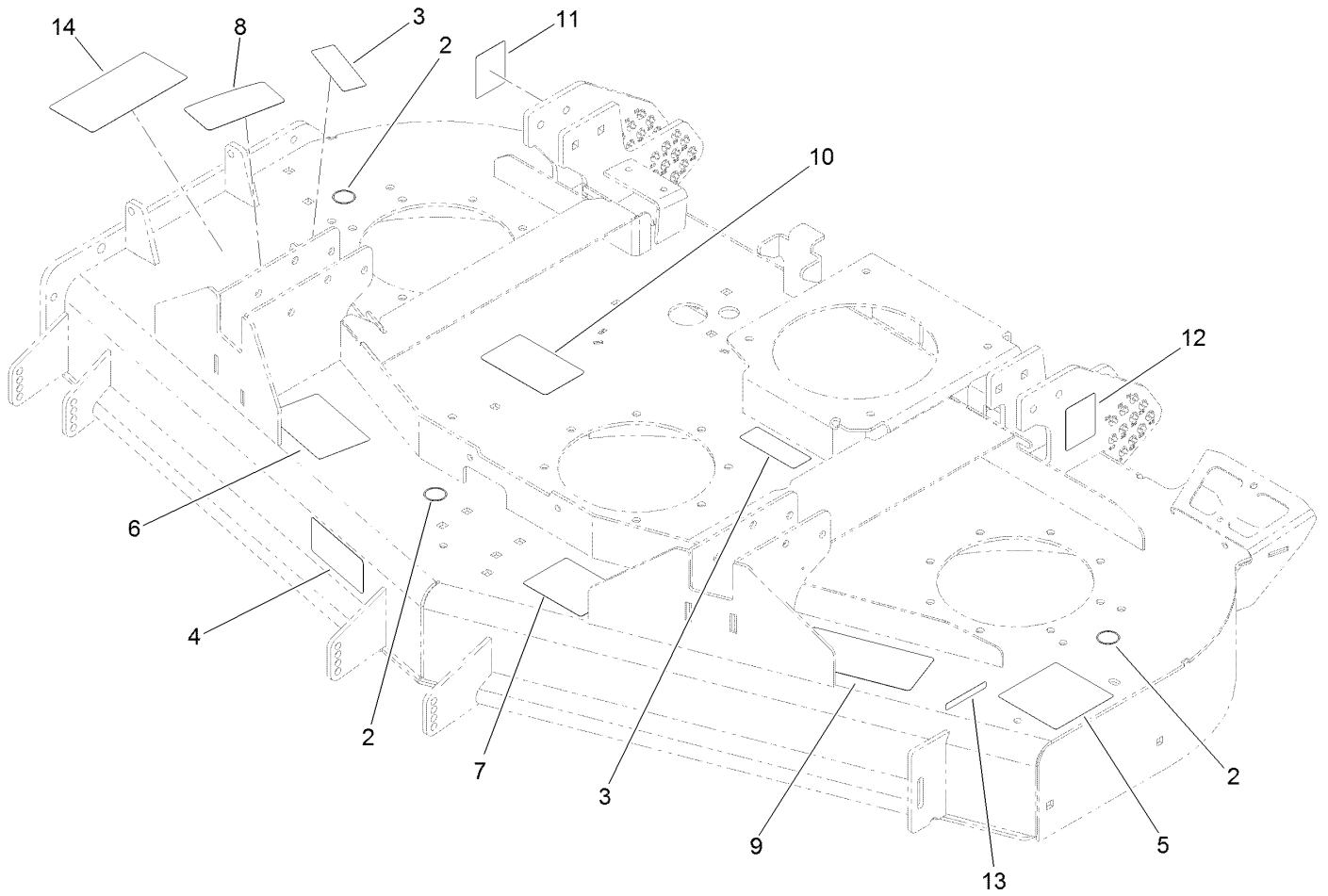


## Deck Assembly (continued)

| <i>Ref.</i> | <i>Part Number</i> | <i>Qty.</i> | <i>Description</i>                | <i>Ref.</i> | <i>Part Number</i> | <i>Qty.</i> | <i>Description</i>            |
|-------------|--------------------|-------------|-----------------------------------|-------------|--------------------|-------------|-------------------------------|
| 1           | 138-4441SP         | 1           | Deck W/Decals 60Sd                | 15          | 137-5918-01        | 1           | Bracket-Skid                  |
| 2           | 139-6342           | 1           | Belt-V                            | 16          |                    | 1           | Gearbox ASM ●                 |
| 3           | 138-0266           | 1           | Tensioner ASM                     | 17          | 126-8043           | 2           | Shield-Dust                   |
| 4           | 3231-27            | 12          | Screw-CARR                        | 18          | 3231-22            | 4           | Screw-CARR                    |
| 5           | 104-8301           | 43          | Nut-HF, NI                        | 19          | 5-0652             | 2           | Spacer                        |
| 6           | 138-7310           | 3           | Spindle ASM                       | 20          | 109-9840           | 2           | Screw-Shoulder, HHF           |
| 7           | 110-4702-03        | 3           | Blade-Rotary, High Flow<br>(20.5) | 21          | 138-7322-01        | 1           | Front-Baffle                  |
| 8           | 72-9361            | 3           | Cup-Scalp, Anti                   | 22          | 138-6051-01        | 1           | Plate-Baffle                  |
| 9           | 92-5816            | 3           | Bolt-Blade                        | 23          | 94-7582            | 1           | Bolt-Shoulder                 |
| 10          | 109-2872           | 2           | Spacer-Pulley                     | 24          | 112-1479           | 1           | Skid-Bumper, Deck             |
| 11          | 132-9424           | 2           | Pulley-Idler, Flat                | 26          | 3231-44            | 2           | Screw-CARR                    |
| 12          | 3231-40            | 2           | Bolt-CARR                         | 29          | 139-6301           | 1           | PTO Guard W/Decals            |
| 13          | 109-6658           | 2           | Nut-Flange, NI                    | 29:2        | 139-6303           | 1           | Decal-Danger,<br>Entanglement |
| 14          | 106-3216-01        | 1           | Baffle-Discharge                  |             |                    |             |                               |

● Not serviced separately

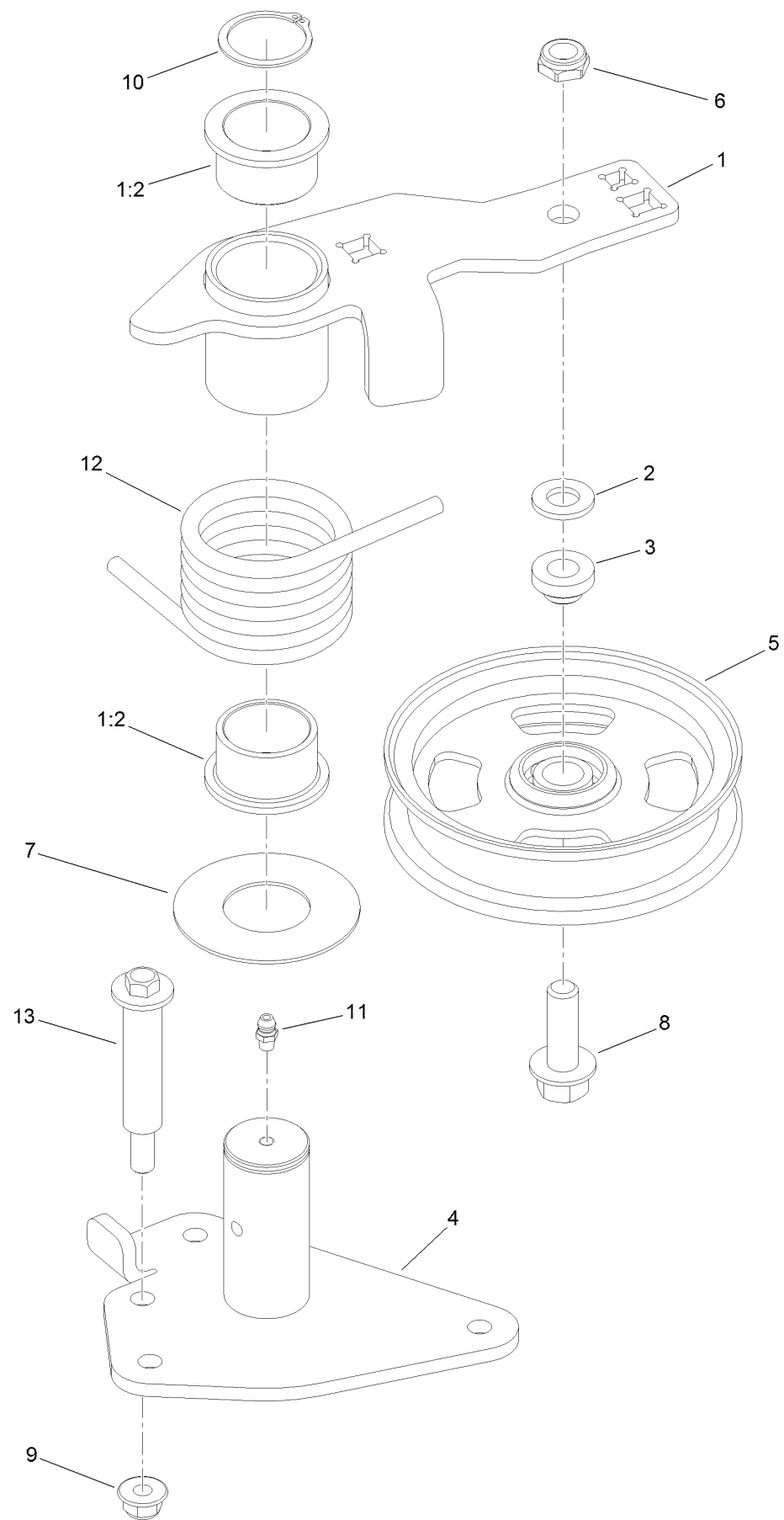
# Deck Decal Assembly No. 138-4441SP



## Deck Decal Assembly No. 138-4441SP (continued)

| <i>Ref.</i> | <i>Part Number</i> | <i>Qty.</i> | <i>Description</i>       | <i>Ref.</i> | <i>Part Number</i> | <i>Qty.</i> | <i>Description</i>  |
|-------------|--------------------|-------------|--------------------------|-------------|--------------------|-------------|---------------------|
| 2           | 58-6520            | 3           | Decal-Grease             | 9           | 137-5949           | 1           | Decal-HOC           |
| 3           | 117-4979           | 3           | Decal-Warning            | 10          | 138-7359           | 1           | Decal-Routing, Belt |
| 4           | 93-7818            | 1           | Decal-Torque, Blade Bolt | 11          | 137-5946           | 1           | Decal-HOC, RH       |
| 5           | 120-6604           | 1           | Decal-Danger             | 12          | 137-5945           | 1           | Decal-HOC, LH       |
| 6           | 108-1990           | 1           | Decal                    | 13          | 133-8061           | 1           | Decal-Warning       |
| 7           | 127-0326           | 1           | Decal-Scalp, Anti        | 14          | 140-3073           | 1           | Decal-Danger, CE    |
| 8           | 131-1180           | 1           | Decal-Adjustment, Baffle |             |                    |             |                     |

# Tensioner Assembly No. 138-0266

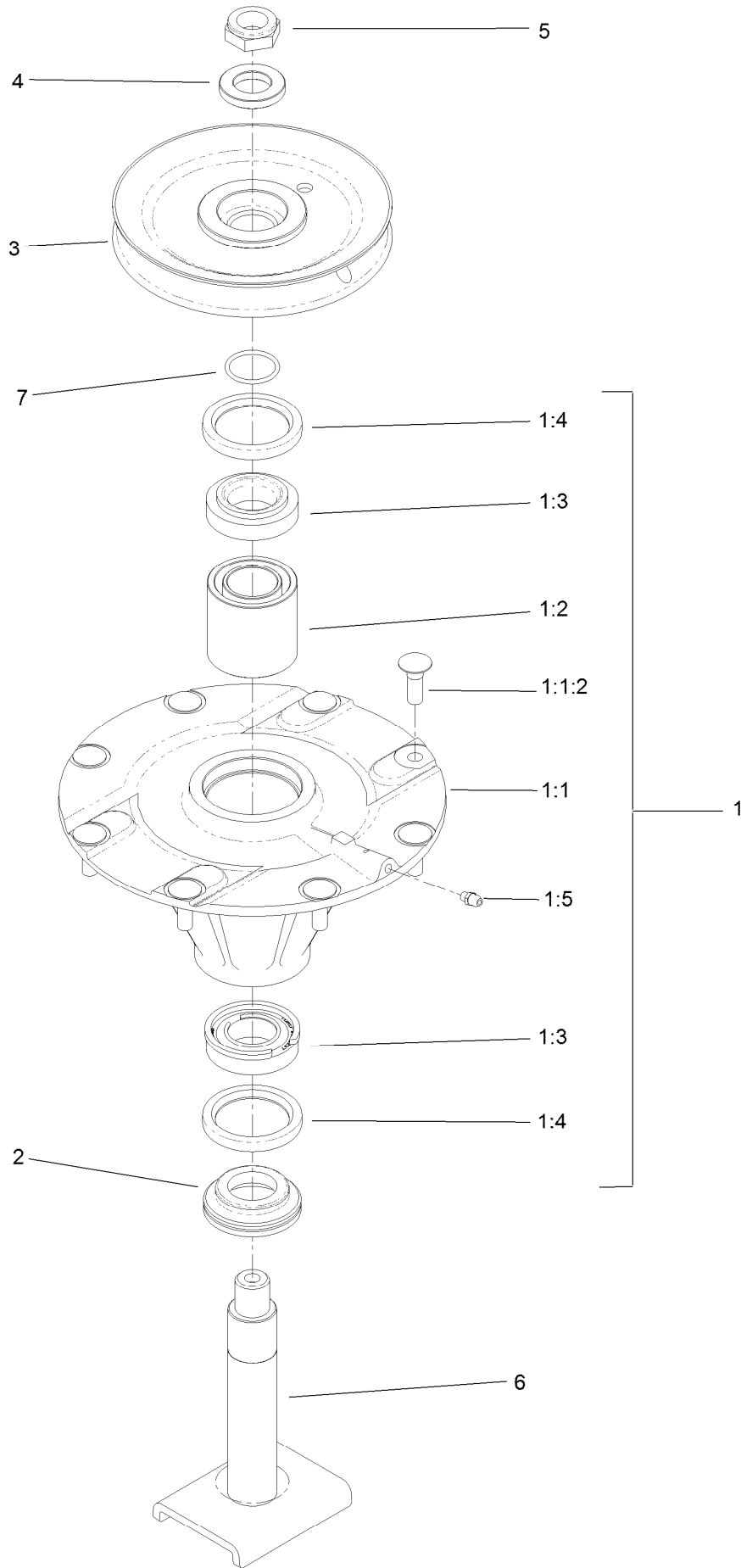




## Tensioner Assembly No. 138-0266 (continued)

| <i>Ref.</i> | <i>Part Number</i> | <i>Qty.</i> | <i>Description</i> | <i>Ref.</i> | <i>Part Number</i> | <i>Qty.</i> | <i>Description</i>  |
|-------------|--------------------|-------------|--------------------|-------------|--------------------|-------------|---------------------|
| 1           | 144-0503           | 1           | High Idler Arm ASM | 7           | 108-1926           | 1           | Washer              |
| 1:2         | 93-4510            | 2           | Bushing-Caster     | 8           | 100-6116           | 1           | Screw-HHF           |
| 2           | 106-9888           | 1           | Washer-Flat        | 9           | 104-8301           | 1           | Nut-HF, NI          |
| 3           | 108-1924           | 1           | Spacer-Idler       | 10          | 32120-84           | 1           | Ring-Snap, External |
| 4           | 139-0903           | 1           | Pivot-Idler        | 11          | 302-5              | 1           | Fitting-Grease      |
| 5           | 136-5405           | 1           | Pulley-Idler, Flat | 12          | 112-7395           | 1           | Spring-Torsion      |
| 6           | 3296-45            | 1           | Nut-Hex            | 13          | 112-3977           | 1           | Bolt-Shoulder       |

# Spindle Assembly No. 138-7310

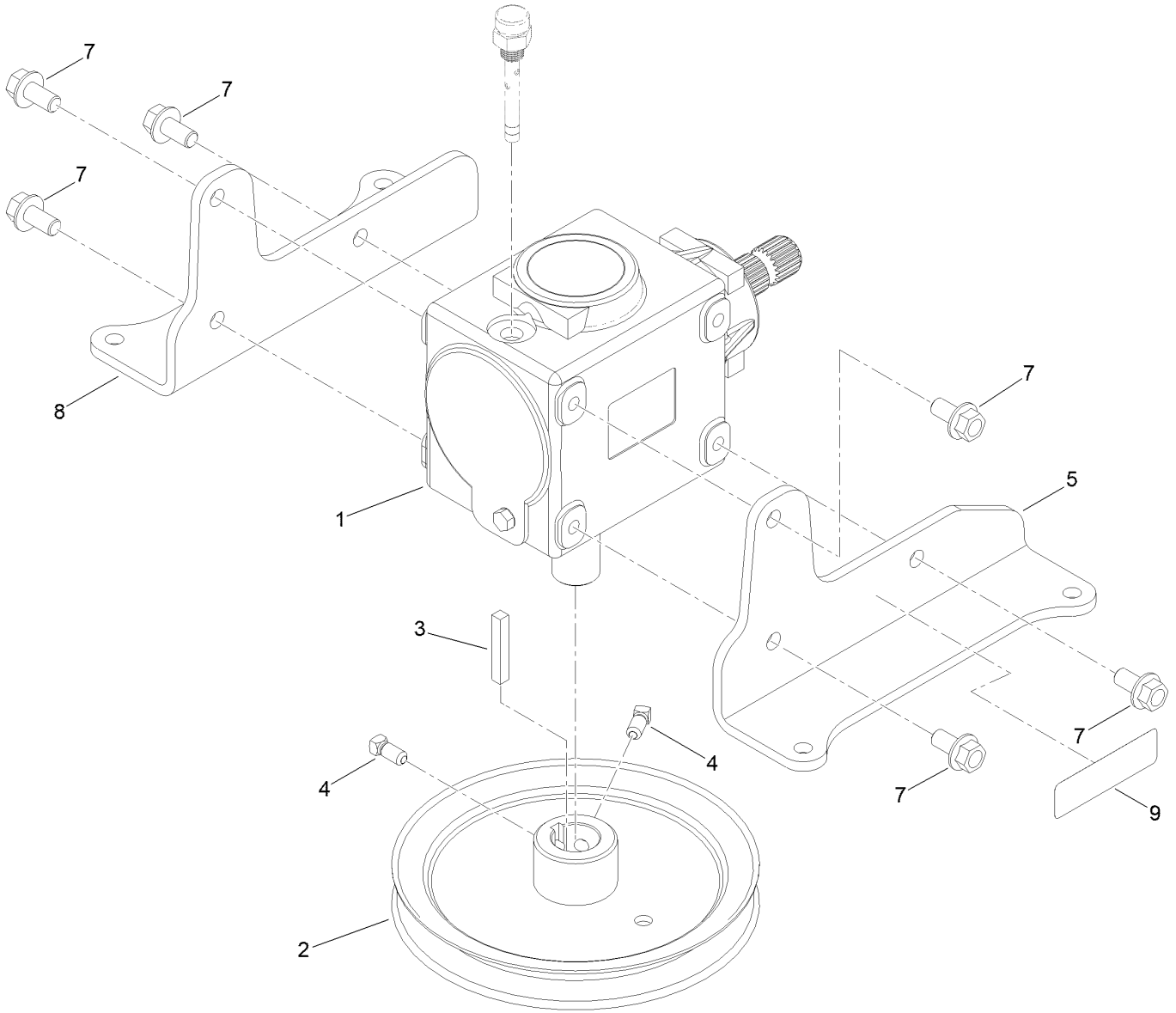


## Spindle Assembly No. 138-7310 (continued)

| <i>Ref.</i> | <i>Part Number</i> | <i>Qty.</i> | <i>Description</i>  | <i>Ref.</i> | <i>Part Number</i> | <i>Qty.</i> | <i>Description</i>    |
|-------------|--------------------|-------------|---------------------|-------------|--------------------|-------------|-----------------------|
| 1           | 139-6338           | 1           | Spindle Housing ASM | 2           | 138-6416           | 1           | Spacer-Spindle, Shaft |
| 1:1         |                    | 1           | Spindle ASM ●       | 3           | 139-6339           | 1           | Pulley                |
| 1:1:2       | 114-8195           | 8           | Bolt-Neck, Ribbed   | 4           | 120-5576           | 1           | Washer-Hardened       |
| 1:2         | 108-1954           | 1           | Bearing Spacer Set  | 5           | 3296-60            | 1           | Nut-Lock, NI          |
| 1:3         | 110-8297           | 1           | Bearing ASM         | 6           | 139-1042           | 1           | Spindle-Shaft         |
| 1:4         | 253-154            | 2           | Seal-Oil            | 7           | 106-7159           | 1           | O-Ring                |
| 1:5         | 302-5              | 1           | Fitting-Grease      |             |                    |             |                       |

● Not serviced separately

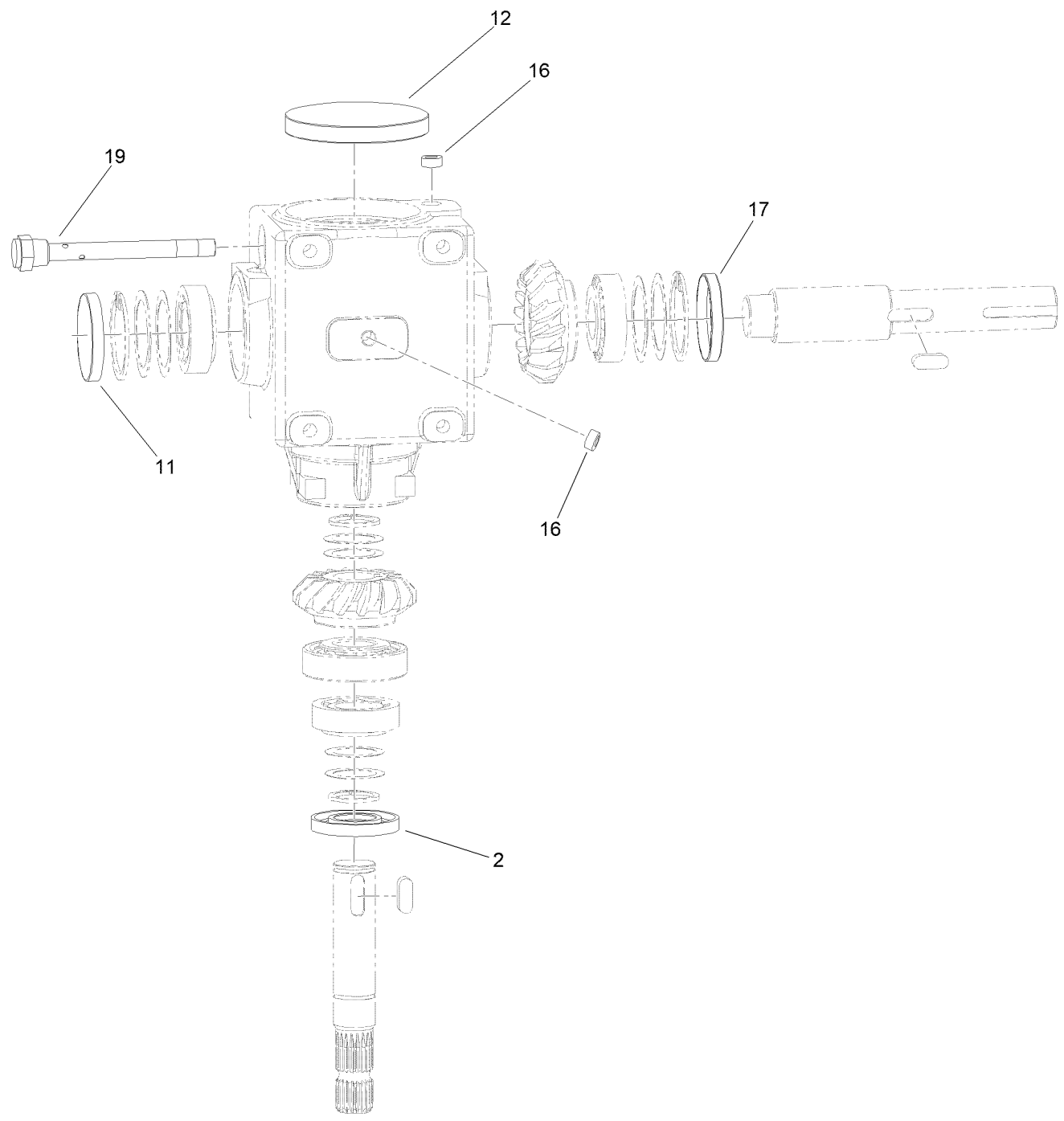
# Gearbox Assembly



## Gearbox Assembly (continued)

| <i>Ref.</i> | <i>Part Number</i> | <i>Qty.</i> | <i>Description</i> | <i>Ref.</i> | <i>Part Number</i> | <i>Qty.</i> | <i>Description</i>  |
|-------------|--------------------|-------------|--------------------|-------------|--------------------|-------------|---------------------|
| 1           | 145-5990           | 1           | Gearbox            | 5           | 144-0494-03        | 1           | Bracket-Gearbox, LH |
| 2           | 138-0263           | 1           | Pulley             | 7           | 139-6300           | 6           | Screw-Hfl           |
| 3           | 94-2425            | 1           | Key-Square         | 8           | 144-0495-03        | 1           | Bracket-Gearbox, RH |
| 4           | 1-803022           | 2           | Screw-Set          | 9           | 93-6697            | 1           | Decal-Lube          |

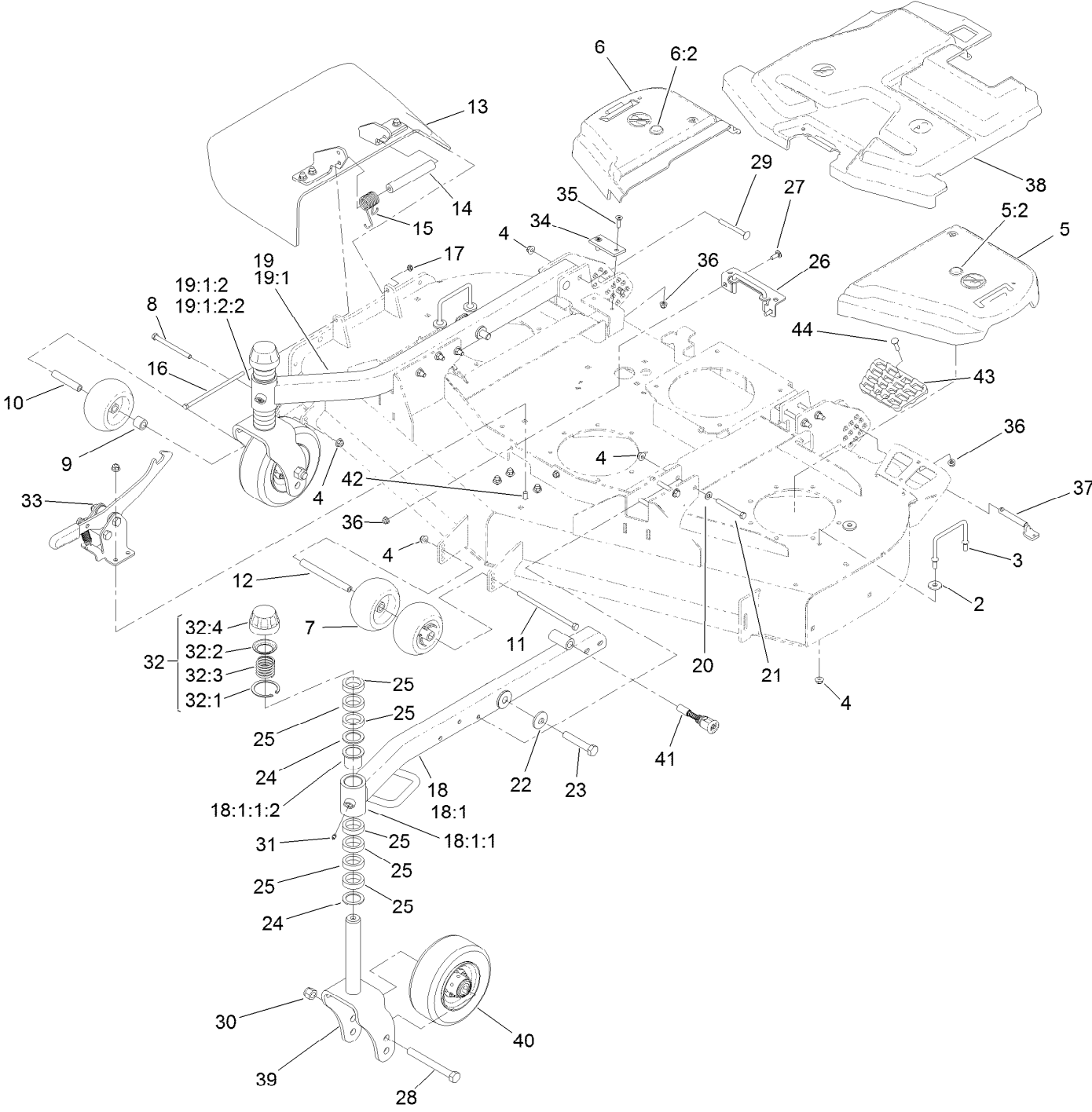
# Gearbox Assembly No. 145-5990



## Gearbox Assembly No. 145-5990 (continued)

| <i>Ref.</i> | <i>Part Number</i> | <i>Qty.</i> | <i>Description</i> | <i>Ref.</i> | <i>Part Number</i> | <i>Qty.</i> | <i>Description</i> |
|-------------|--------------------|-------------|--------------------|-------------|--------------------|-------------|--------------------|
| 2           | 140-7133           | 1           | Seal-Oil           | 16          | 140-7132           | 3           | Plug               |
| 11          | 140-7129           | 1           | Plug-Cap           | 17          | 145-5989           | 1           | Seal-Oil           |
| 12          | 140-7131           | 1           | Plug-Cap           | 19          | 140-7130           | 1           | Dipstick           |

# Belt Cover, Arm Caster and Wheel Assembly



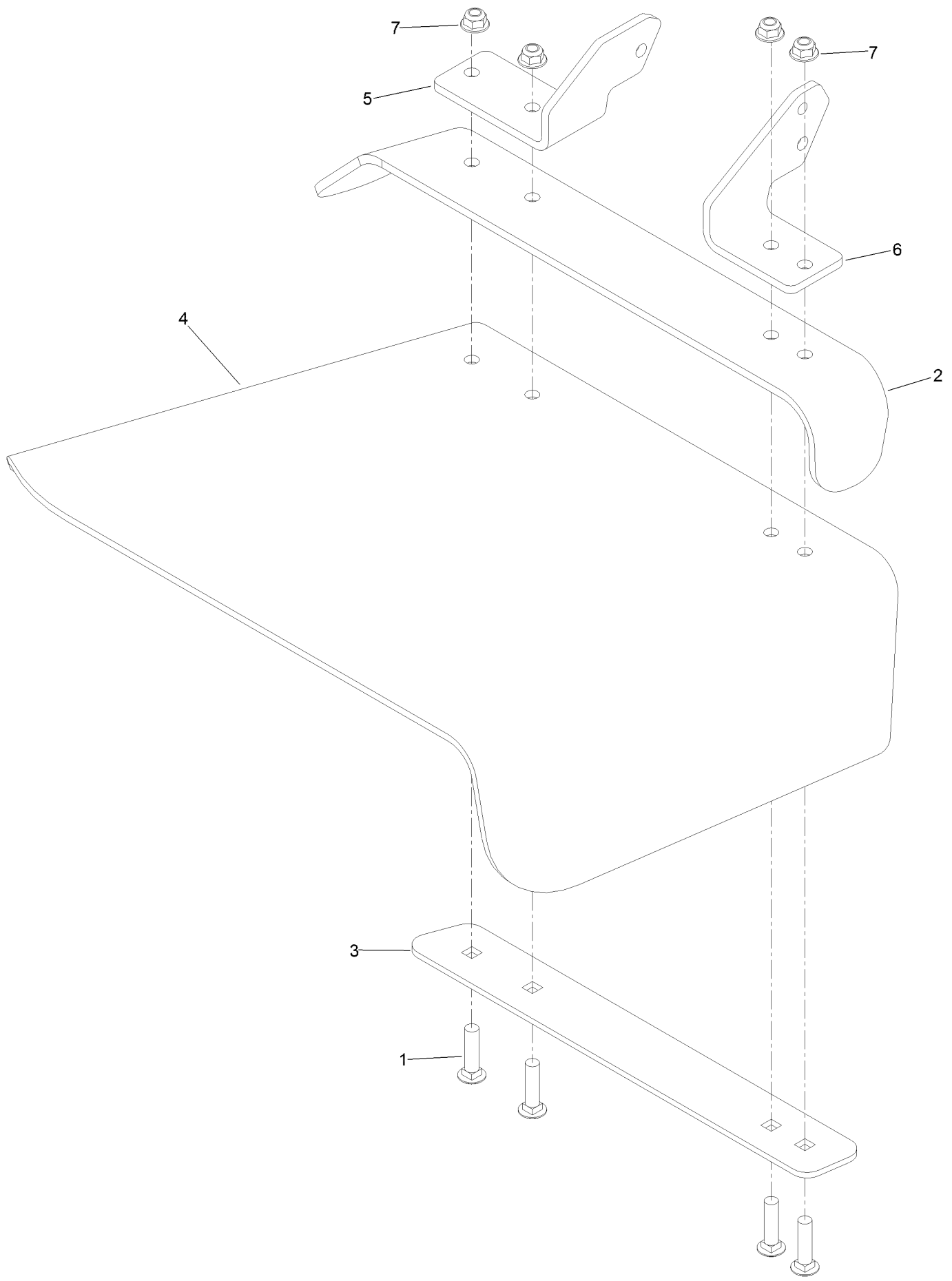


## Belt Cover, Arm Caster and Wheel Assembly (continued)

| <i>Ref.</i> | <i>Part Number</i> | <i>Qty.</i> | <i>Description</i>   | <i>Ref.</i> | <i>Part Number</i> | <i>Qty.</i> | <i>Description</i>         |
|-------------|--------------------|-------------|----------------------|-------------|--------------------|-------------|----------------------------|
| 2           | 1-373034           | 4           | Washer               | 22          | 103-0865           | 2           | Washer-Blade Bolt, Heavy   |
| 3           | 109-6982           | 2           | Wireform-Cover       | 23          | 139-6203           | 2           | Screw-HH                   |
| 4           | 104-8301           | 20          | Nut-HF, NI           | 24          | 69-6860            | 4           | Washer-Thrust              |
| 5           | 138-7379           | 1           | LH Belt Cover ASM    | 25          | 69-1510            | 14          | Spacer                     |
| 5:2         | 117-3824           | 1           | Plug-Plastic         | 26          | 139-0932           | 1           | Bracket-Cover, Belt        |
| 6           | 138-7362           | 1           | RH Belt Cover ASM    | 27          | 3230-10            | 2           | Bolt-CARR                  |
| 6:2         | 117-3824           | 1           | Plug-Plastic         | 28          | 327-24             | 2           | Screw-HH                   |
| 7           | 1-603299           | 3           | Roller-Scalp, Anti   | 29          | 3231-11            | 4           | Screw-CARR                 |
| 8           | 323-23             | 1           | Screw-HH             | 30          | 3296-53            | 2           | Nut-Lock, NI               |
| 9           | 98-7913            | 1           | Tube-Spacer          | 31          | 302-5              | 2           | Fitting-Grease             |
| 10          | 98-7912            | 1           | Tube-Spanner         | 32          | 92-9727            | 2           | HOC Cap ASM                |
| 11          | 108-5388           | 1           | Screw-HH             | 32:1        | 92-5581            | 1           | Ring-Rtng, Snap, Int, Flat |
| 12          | 98-5967            | 1           | Spacer-Wheel         | 32:2        | 92-5583            | 1           | Washer-Cap                 |
| 13          | 108-2792           | 1           | Rubber Deflector ASM | 32:3        | 92-9726            | 1           | Spring-Compression         |
| 14          | 105-4622           | 1           | Spacer               | 32:4        | 92-8861            | 1           | Cap-HOC                    |
| 15          | 108-4052           | 1           | Spring-Torsion       | 33          | 139-0888           | 1           | Latch ASM                  |
| 16          | 322-50             | 1           | Screw-HH             | 34          | 138-4452           | 2           | Pad-Stop, Deck             |
| 17          | 3296-47            | 1           | Nut-Lock, NI         | 35          | 133-4543           | 4           | Screw                      |
| 18          | 137-5912-01        | 1           | Arm-Caster, LH       | 36          | 104-8300           | 7           | Nut-HF, NI                 |
| 18:1        |                    | 1           | Castor Arm LH ASM ●  | 37          | 140-3064           | 2           | Pin-HOC ASM                |
| 18:1:1      |                    | 1           | Hub ASM ●            | 38          | 138-7373           | 1           | Cover-Belt, Center         |
| 18:1:1:2    | 69-6470            | 2           | Bushing-Caster       | 39          | 137-2546-01        | 2           | Fork-Caster                |
| 19          | 138-0279-01        | 1           | Arm-Caster, RH       | 40          | 137-5529           | 2           | Wheel ASM                  |
| 19:1        |                    | 1           | Castor Arm RH ASM ●  | 41          | 139-6345           | 1           | Spring-Pin                 |
| 19:1:2      |                    | 1           | Hub ASM ●            | 42          | 3231-27            | 4           | Screw-CARR                 |
| 19:1:2:2    | 69-6470            | 2           | Bushing-Caster       | 43          | 126-4781           | 1           | Step-Deck                  |
| 20          | 3256-24            | 6           | Washer-Flat          | 44          | 3230-3             | 1           | Screw-CARR                 |
| 21          | 323-20             | 6           | Screw-HH             |             |                    |             |                            |

● Not serviced separately

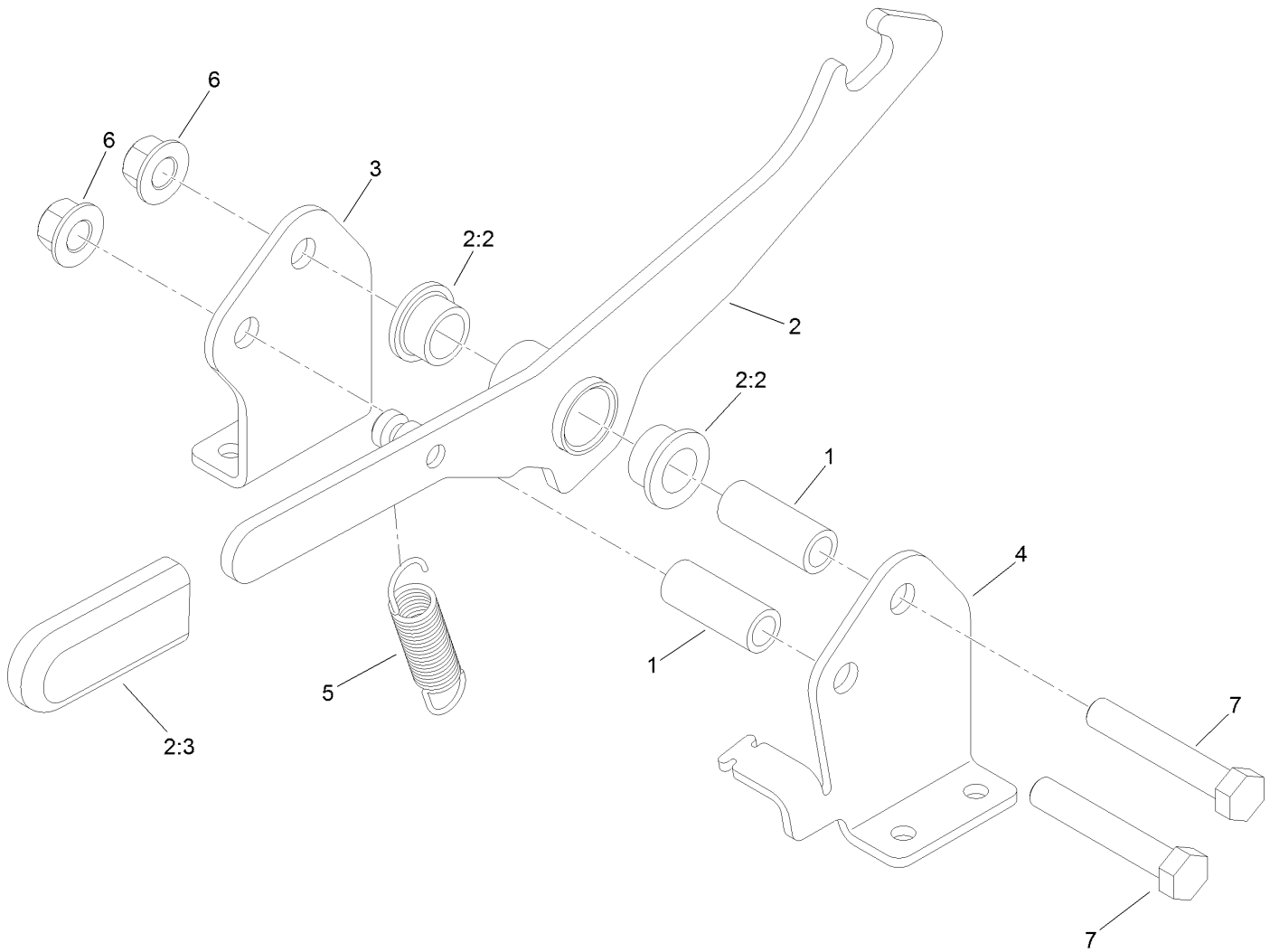
# Rubber Deflector Assembly No. 108-2792



# Rubber Deflector Assembly No. 108-2792 (continued)

| <i>Ref.</i> | <i>Part Number</i> | <i>Qty.</i> | <i>Description</i> | <i>Ref.</i> | <i>Part Number</i> | <i>Qty.</i> | <i>Description</i> |
|-------------|--------------------|-------------|--------------------|-------------|--------------------|-------------|--------------------|
| 1           | 3231-4             | 4           | Screw-CARR         | 5           | 108-4059-01        | 1           | Plate-Hinge, Rear  |
| 2           | 106-3246-01        | 1           | Deflector          | 6           | 106-3253-01        | 1           | Plate-Hinge, Front |
| 3           | 106-3248-03        | 1           | Strap-Discharge    | 7           | 104-8301           | 4           | Nut-HF, NI         |
| 4           | 108-5029           | 1           | Deflector-Rubber   |             |                    |             |                    |

# Latch Assembly No. 139-0888

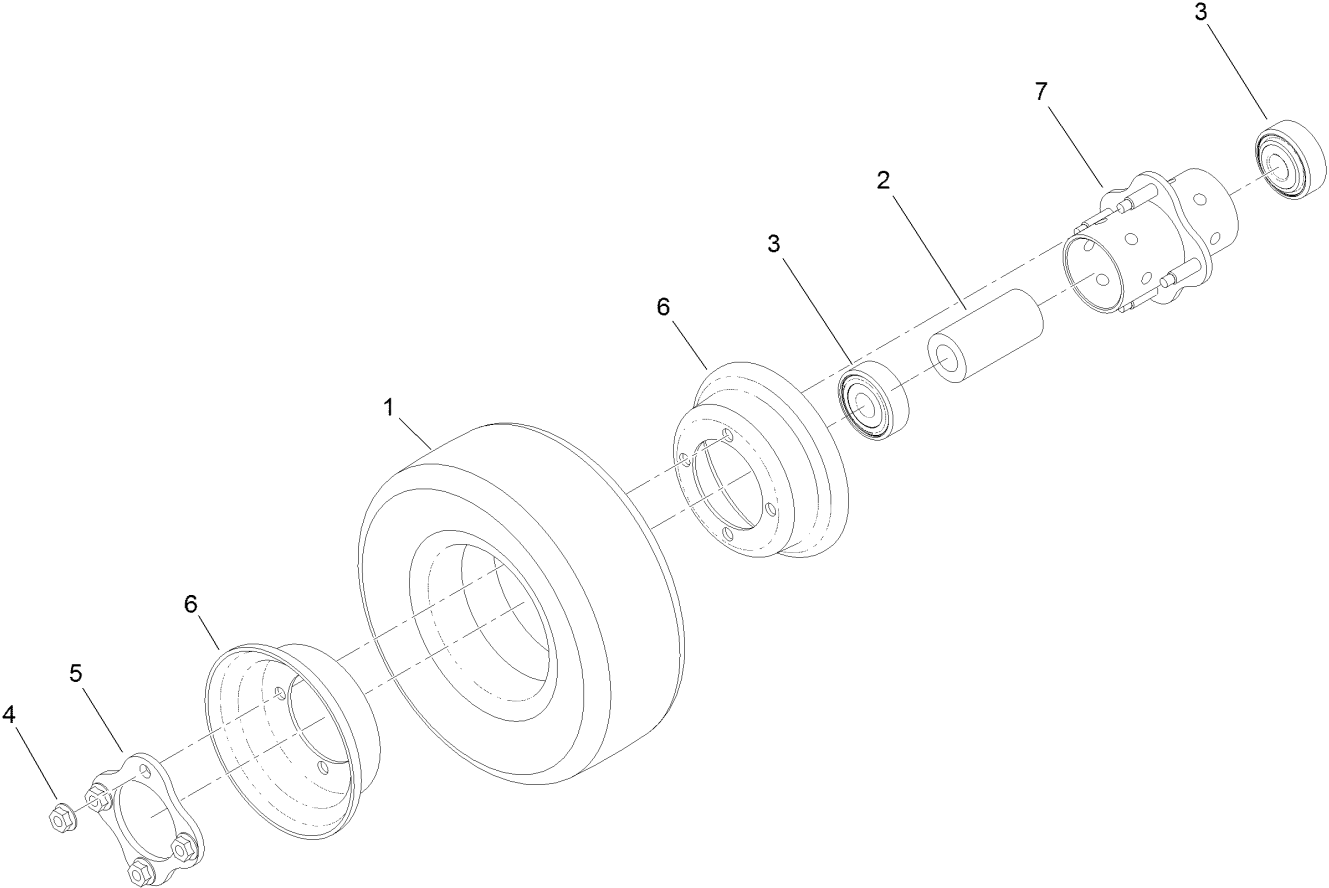


## Latch Assembly No. 139-0888 (continued)

| <i>Ref.</i> | <i>Part Number</i> | <i>Qty.</i> | <i>Description</i>        |
|-------------|--------------------|-------------|---------------------------|
| 1           | 117-0380           | 2           | Spacer                    |
| 2           | 138-0283           | 1           | Latch Arm ASM             |
| 2:2         | 93-2877            | 2           | Bushing                   |
| 2:3         | 119-1846           | 1           | Grip                      |
| 3           | 139-0889           | 1           | Bracket-Latch, Mount (RH) |

| <i>Ref.</i> | <i>Part Number</i> | <i>Qty.</i> | <i>Description</i>        |
|-------------|--------------------|-------------|---------------------------|
| 4           | 139-0887           | 1           | Bracket-Latch, Mount (LH) |
| 5           | 130-9645           | 1           | Spring-Extension          |
| 6           | 99-5107            | 2           | Nut-Lock                  |
| 7           | 325-12             | 2           | Screw-HH                  |

# Wheel Assembly No. 137-5529



## Wheel Assembly No. 137-5529 (continued)

| <i>Ref.</i> | <i>Part Number</i> | <i>Qty.</i> | <i>Description</i>    |
|-------------|--------------------|-------------|-----------------------|
| 1           | 136-4424           | 1           | Tire-Pneumatic, Semi  |
| 2           | 93-4241            | 1           | Spacer-Bearing, Inner |
| 3           | 120-3366           | 2           | Bearing               |
| 4           | 32128-16           | 4           | Nut-HHF               |

| <i>Ref.</i> | <i>Part Number</i> | <i>Qty.</i> | <i>Description</i> |
|-------------|--------------------|-------------|--------------------|
| 5           | 93-4242            | 1           | Plate              |
| 6           | 137-5552           | 2           | Rim-Wheel, Half    |
| 7           | 93-5980            | 1           | Hub                |



**Count on it.**