



Count on it.

Parts Catalog

**72in Rear Discharge Rotary
Mower**

**Groundsmaster® 3200 or 3300 Series
Traction Unit**

Model No. 31973—Serial No. 406700000 and Up



Ordering Replacement Parts

To order replacement parts, please supply the part number, the quantity, and the description of each part desired.

Understanding Reference Numbers

Each identified part in an illustration has a reference number. The reference number for a part also appears in the parts list, along with other information about the part.

This catalog uses two special reference number formats, one to indicate parts in a service assembly and another to indicate the quantity of a given part in an illustration.

Service Assembly Reference Numbers

Parts in service assemblies have reference numbers in the form a:b. The a represents the reference number of the entire service assembly and the b represents a sequential number unique to each part within the service assembly.

For example, a wheel assembly might be identified by reference number 6, the tire by 6:1, the valve by 6:2, and the wheel by 6:3. When you order the assembly identified by reference number 6, you receive all parts identified by reference numbers 6:1, 6:2, and 6:3. However, you may also order any part individually. Reference numbers of this type appear in illustration and in parts lists.

Reference Numbers Indicating Quantity

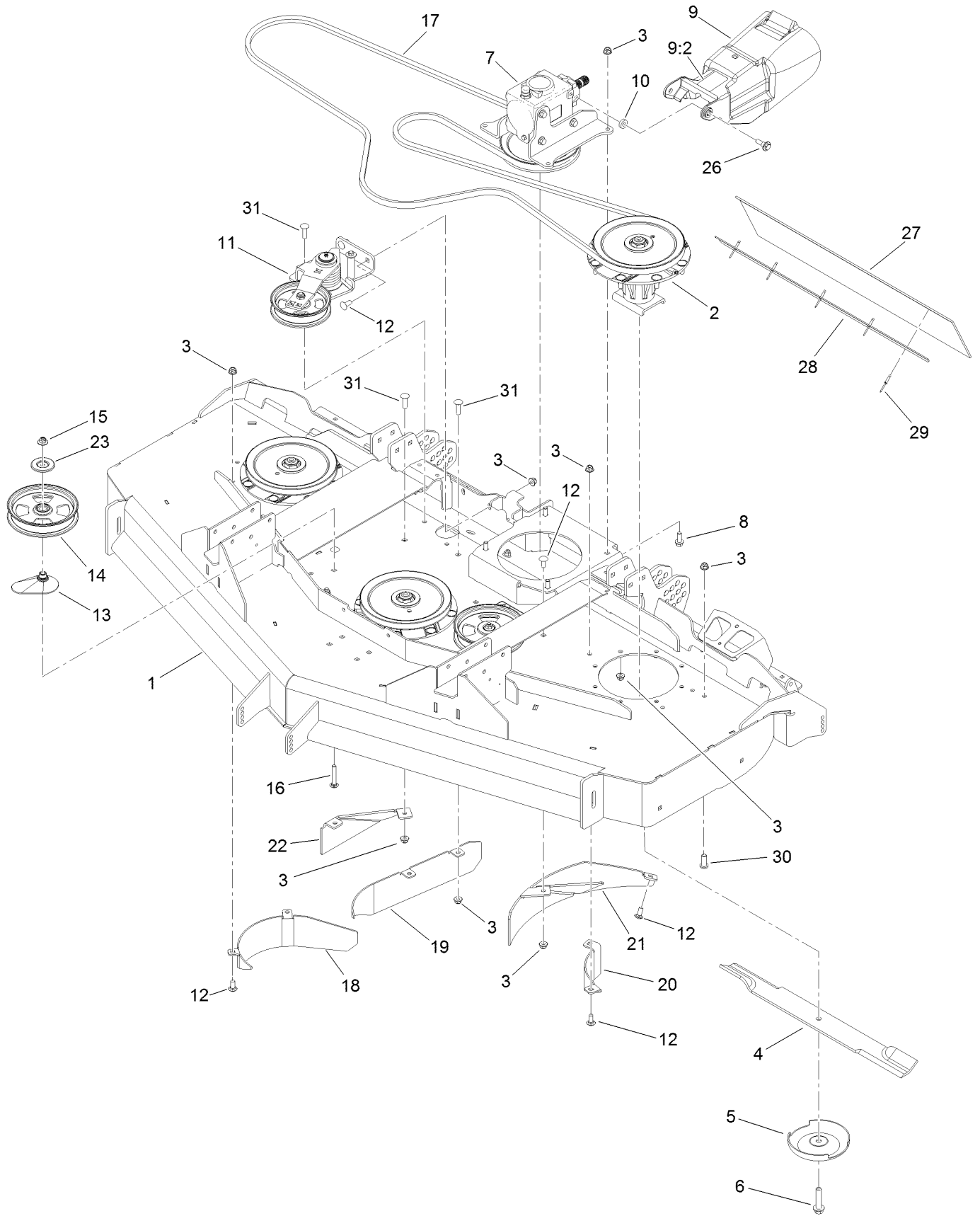
In an illustration, if a reference number indicates more than one part, the reference number has the form nX y. The n represents the quantity of the part, the X is the multiplication symbol, and the y represents the reference number.

For example, in an illustration, the reference number 2X 37 means that two of the parts identified by reference number 37 are indicated.

Contents

Deck Assembly	4
Deck Decal Assembly No. 138-4516SP	6
Spindle Assembly No. 138-4519	8
Gearbox Assembly	10
Gearbox Assembly No. 145-5990	12
Tensioner Assembly No. 140-9027	14
Belt Cover, Caster Arm and Wheel Assembly	16
Wheel Assembly No. 137-5529	18
Latch Assembly No. 139-0888	20

Deck Assembly

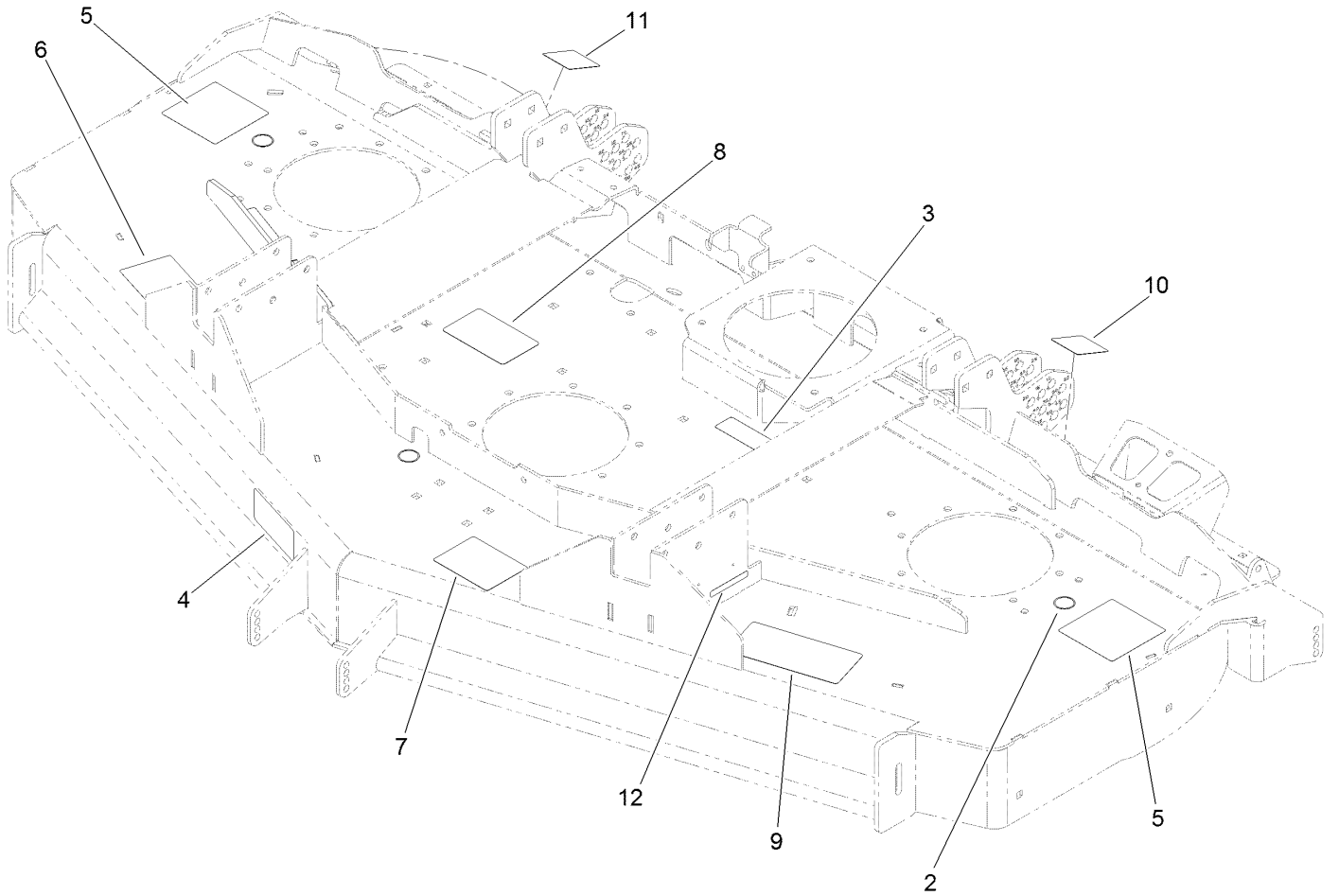


Deck Assembly (continued)

<i>Ref.</i>	<i>Part Number</i>	<i>Qty.</i>	<i>Description</i>	<i>Ref.</i>	<i>Part Number</i>	<i>Qty.</i>	<i>Description</i>
1	138-4516SP	1	Deck W/Decals	15	109-6658	2	Nut-Flange, NI
2	138-4519	3	Spindle ASM	16	3231-40	2	Bolt-CARR
3	104-8301	49	Nut-HF, NI	17	135-3215	1	Belt-V
4	110-0621-03	3	Blade-Medium Flow	18	137-2541-0P	1	Baffle-Inner, LH
5	72-9361	3	Cup-Scalp, Anti	19	140-9043-0P	1	Baffle-Inner, Center
6	92-5816	3	Bolt-Blade	20	137-2543-0P	1	Baffle-Inner, RH
7		1	Gearbox ASM ●	21	139-6312-0P	1	Baffle
8	3231-22	4	Screw-CARR	22	140-9045-0P	1	Baffle-Kicker, Center
9	139-6301	1	PTO Guard W/Decals	23	126-8043	2	Shield-Dust
9:2	139-6303	1	Decal-Danger, Entanglement	26	109-9840	2	Screw-Shoulder, HHF
10	5-0652	2	Spacer	27	140-3054	1	Flap-Rubber, Middle
11	140-9027	1	Tensioner ASM	28	140-3053-0P	1	Bracket-Flap, Middle
12	3231-27	9	Screw-CARR	29	103-0138	5	Rivet-Pop
13	109-2872	2	Spacer-Pulley	30	3274-80	7	Screw-HH
14	136-5404	2	Pulley-Idler, Flat	31	3231-28	5	Screw-CARR

● Not serviced separately

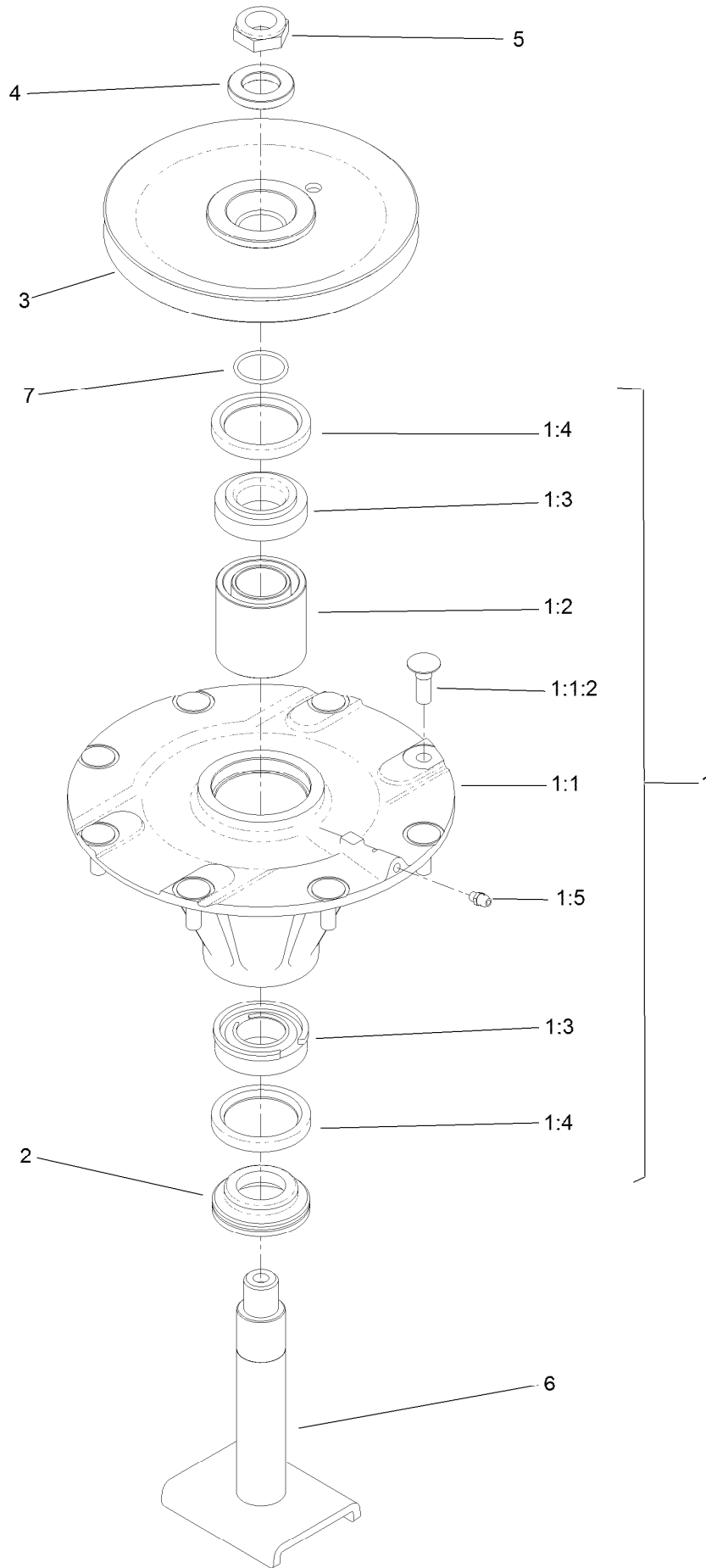
Deck Decal Assembly No. 138-4516SP



Deck Decal Assembly No. 138-4516SP (continued)

<i>Ref.</i>	<i>Part Number</i>	<i>Qty.</i>	<i>Description</i>	<i>Ref.</i>	<i>Part Number</i>	<i>Qty.</i>	<i>Description</i>
2	58-6520	3	Decal-Grease	8	138-7359	1	Decal-Routing, Belt
3	117-4979	3	Decal-Warning	9	137-5949	1	Decal-HOC
4	93-7818	1	Decal-Torque, Blade Bolt	10	137-5945	1	Decal-H0C, LH
5	120-6604	2	Decal-Danger	11	137-5946	1	Decal-HOC, RH
6	57-0280	1	Decal	12	133-8061	1	Decal-Warning
7	127-0326	1	Decal-Scalp, Anti				

Spindle Assembly No. 138-4519

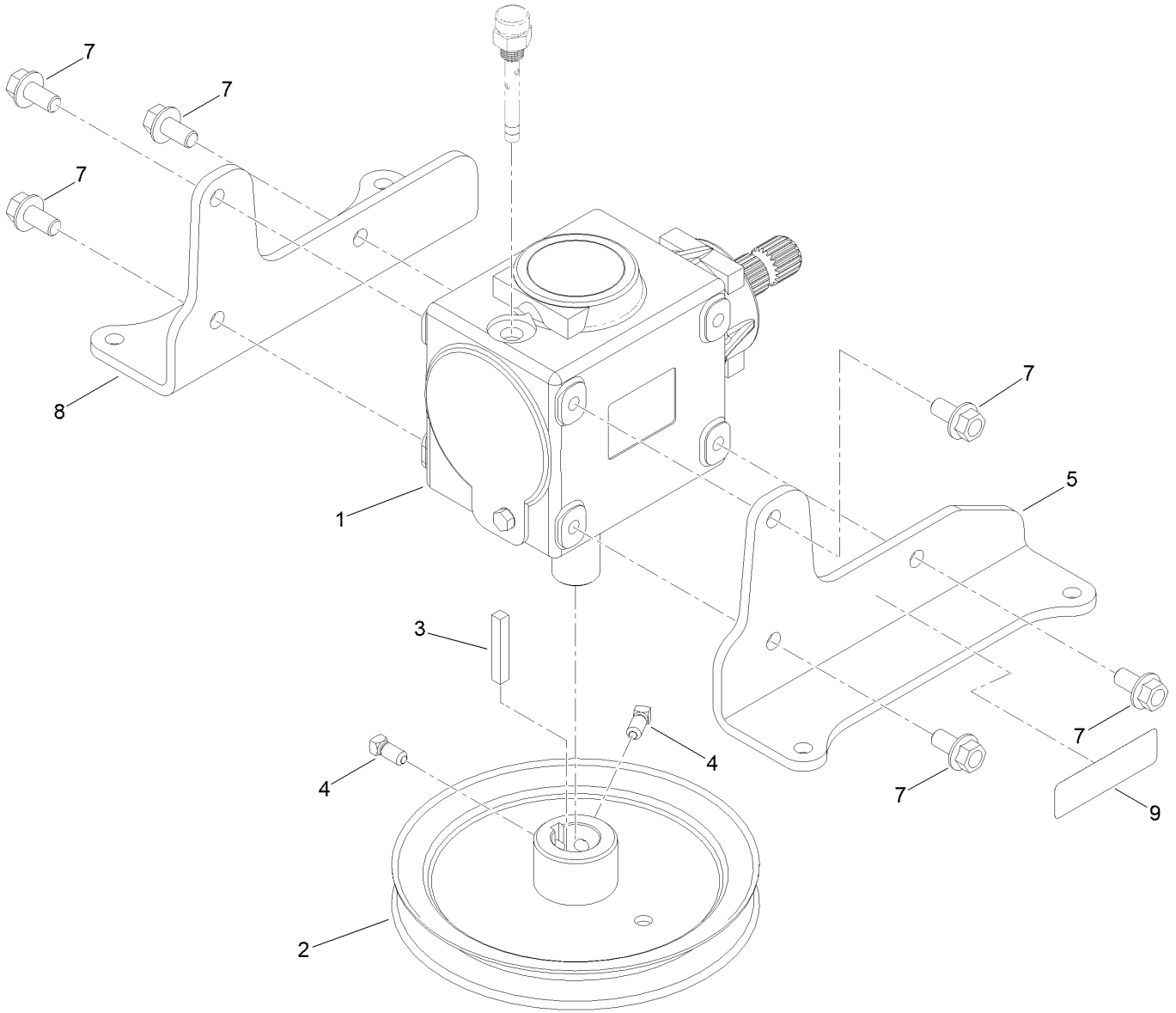


Spindle Assembly No. 138-4519 (continued)

<i>Ref.</i>	<i>Part Number</i>	<i>Qty.</i>	<i>Description</i>	<i>Ref.</i>	<i>Part Number</i>	<i>Qty.</i>	<i>Description</i>
1	139-6338	1	Spindle Housing ASM	2	138-6416	1	Spacer-Spindle, Shaft
1:1		1	Spindle ASM ●	3	138-4525	1	Pulley
1:1:2	114-8195	8	Bolt-Neck, Ribbed	4	120-5576	1	Washer-Hardened
1:2	108-1954	1	Bearing Spacer Set	5	3296-60	1	Nut-Lock, NI
1:3	110-8297	1	Bearing ASM	6	139-1042	1	Spindle-Shaft
1:4	253-154	2	Seal-Oil	7	106-7159	1	O-Ring
1:5	302-5	1	Fitting-Grease				

● Not serviced separately

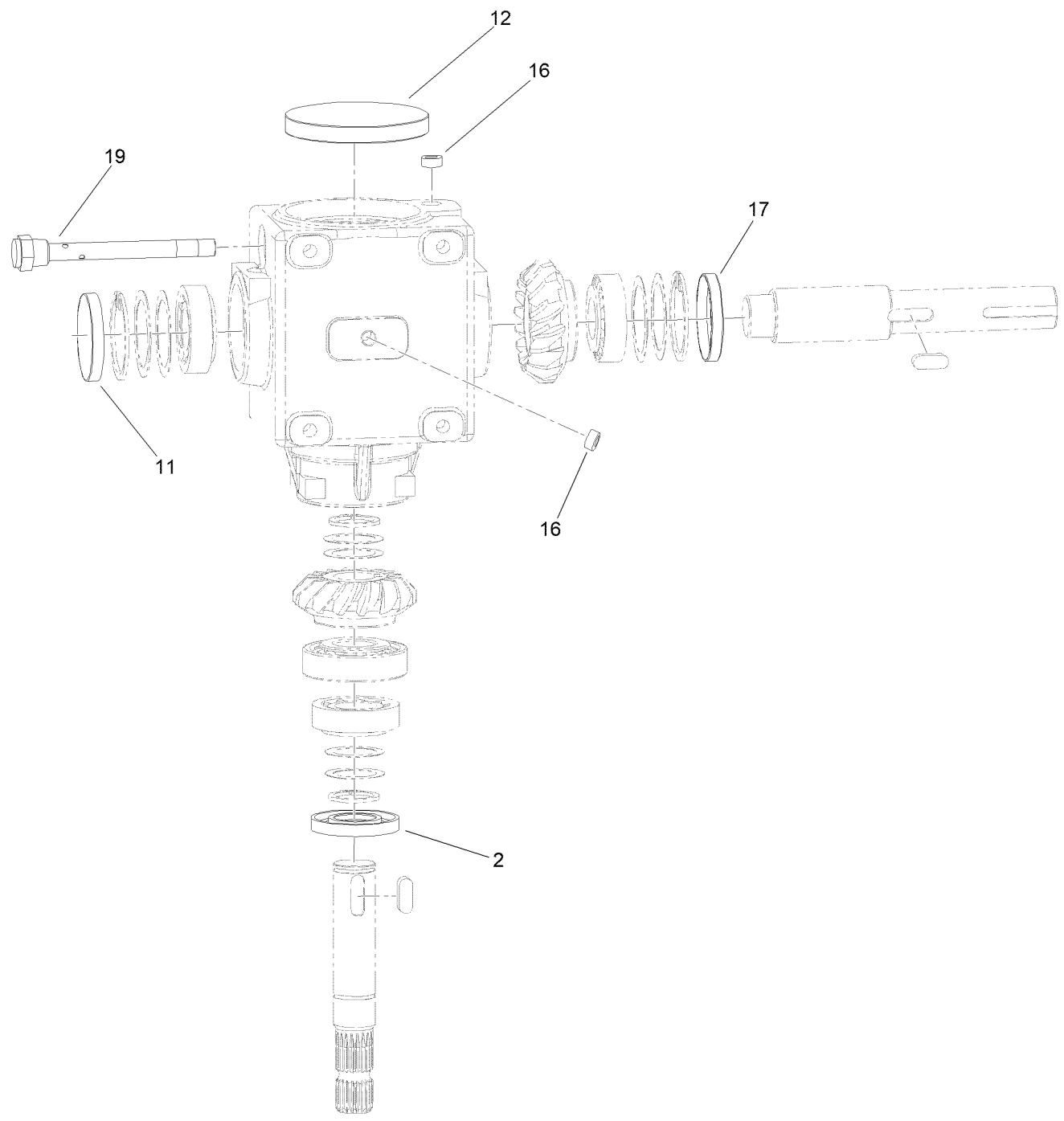
Gearbox Assembly



Gearbox Assembly (continued)

<i>Ref.</i>	<i>Part Number</i>	<i>Qty.</i>	<i>Description</i>	<i>Ref.</i>	<i>Part Number</i>	<i>Qty.</i>	<i>Description</i>
1	145-5990	1	Gearbox	5	144-0494-03	1	Bracket-Gearbox, LH
2	138-0263	1	Pulley	7	139-6300	6	Screw-Hfl
3	94-2425	1	Key-Square	8	144-0495-03	1	Bracket-Gearbox, RH
4	1-803022	2	Screw-Set	9	93-6697	1	Decal-Lube

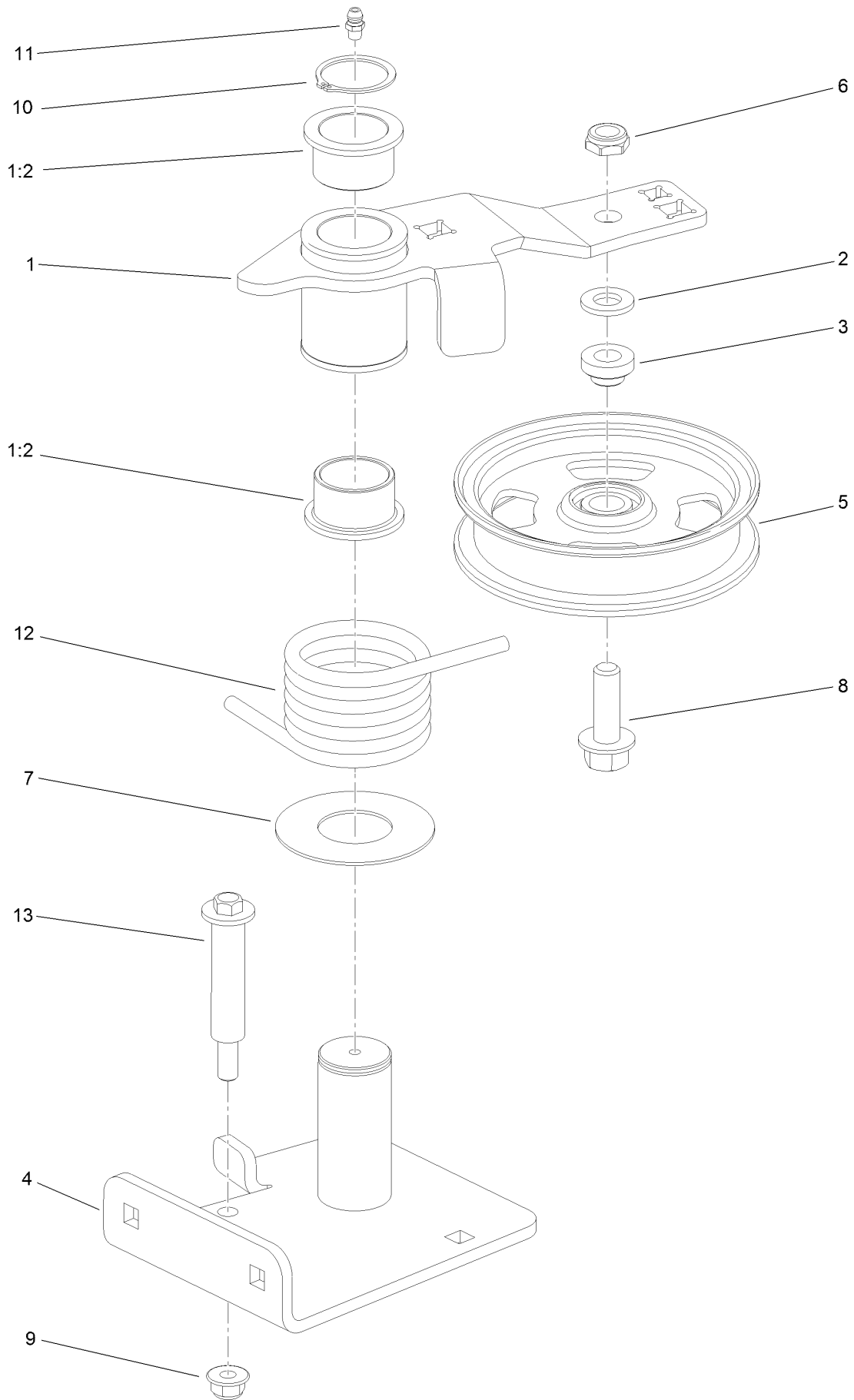
Gearbox Assembly No. 145-5990



Gearbox Assembly No. 145-5990 (continued)

<i>Ref.</i>	<i>Part Number</i>	<i>Qty.</i>	<i>Description</i>	<i>Ref.</i>	<i>Part Number</i>	<i>Qty.</i>	<i>Description</i>
2	140-7133	1	Seal-Oil	16	140-7132	3	Plug
11	140-7129	1	Plug-Cap	17	145-5989	1	Seal-Oil
12	140-7131	1	Plug-Cap	19	140-7130	1	Dipstick

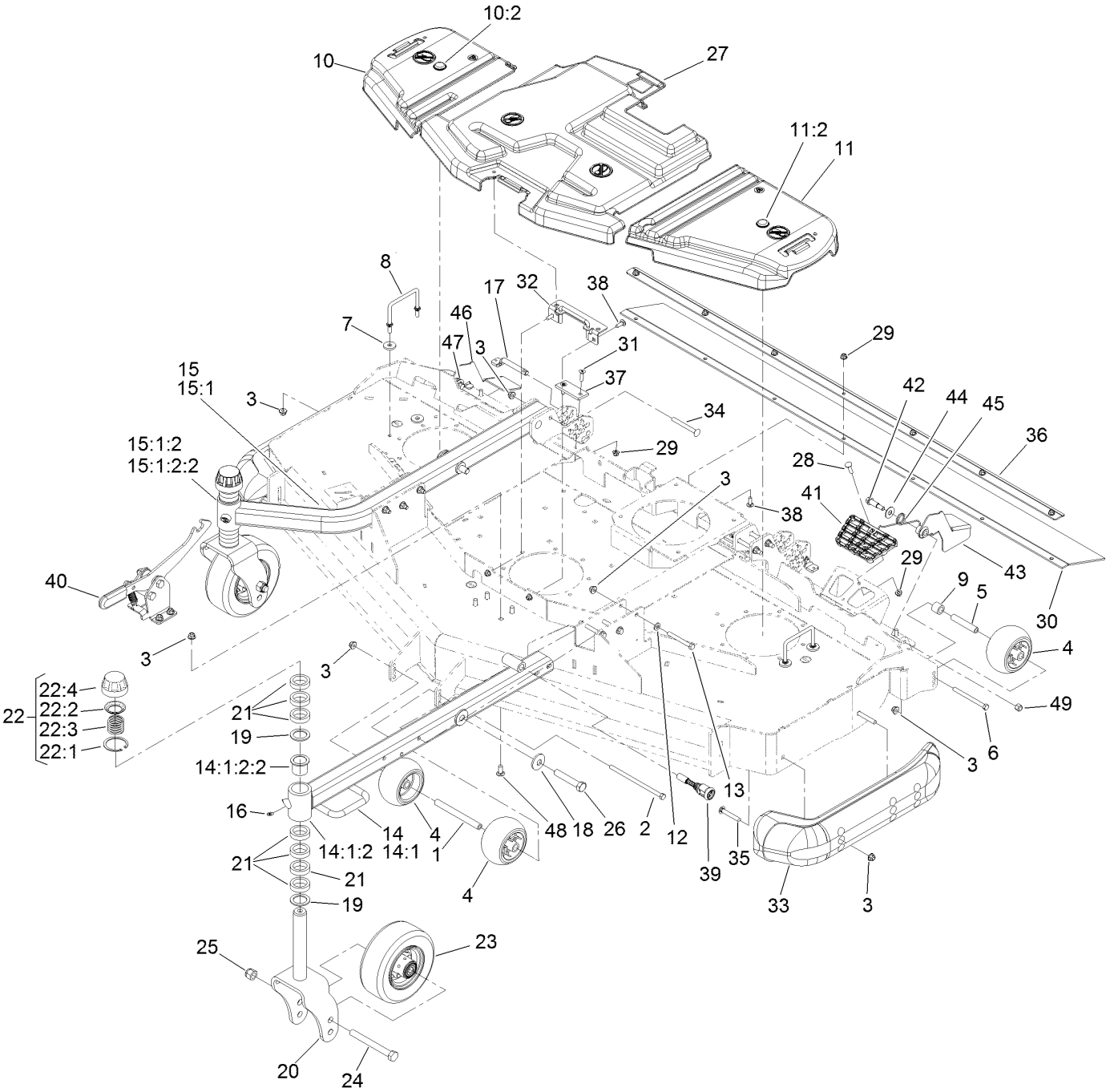
Tensioner Assembly No. 140-9027



Tensioner Assembly No. 140-9027 (continued)

<i>Ref.</i>	<i>Part Number</i>	<i>Qty.</i>	<i>Description</i>	<i>Ref.</i>	<i>Part Number</i>	<i>Qty.</i>	<i>Description</i>
1	138-0257	1	*obs* High Idler Arm ASM	7	108-1926	1	Washer
1:2	93-4510	2	Bushing-Caster	8	100-6116	1	Screw-HHF
2	106-9888	1	Washer-Flat	9	104-8301	1	Nut-HF, NI
3	108-1924	1	Spacer-Idler	10	32120-84	1	Ring-Snap, External
4	140-9023	1	Pivot-Idler	11	302-5	1	Fitting-Grease
5	136-5405	1	Pulley-Idler, Flat	12	112-7395	1	Spring-Torsion
6	3296-45	1	Nut-Hex	13	112-3977	1	Bolt-Shoulder

Belt Cover, Caster Arm and Wheel Assembly

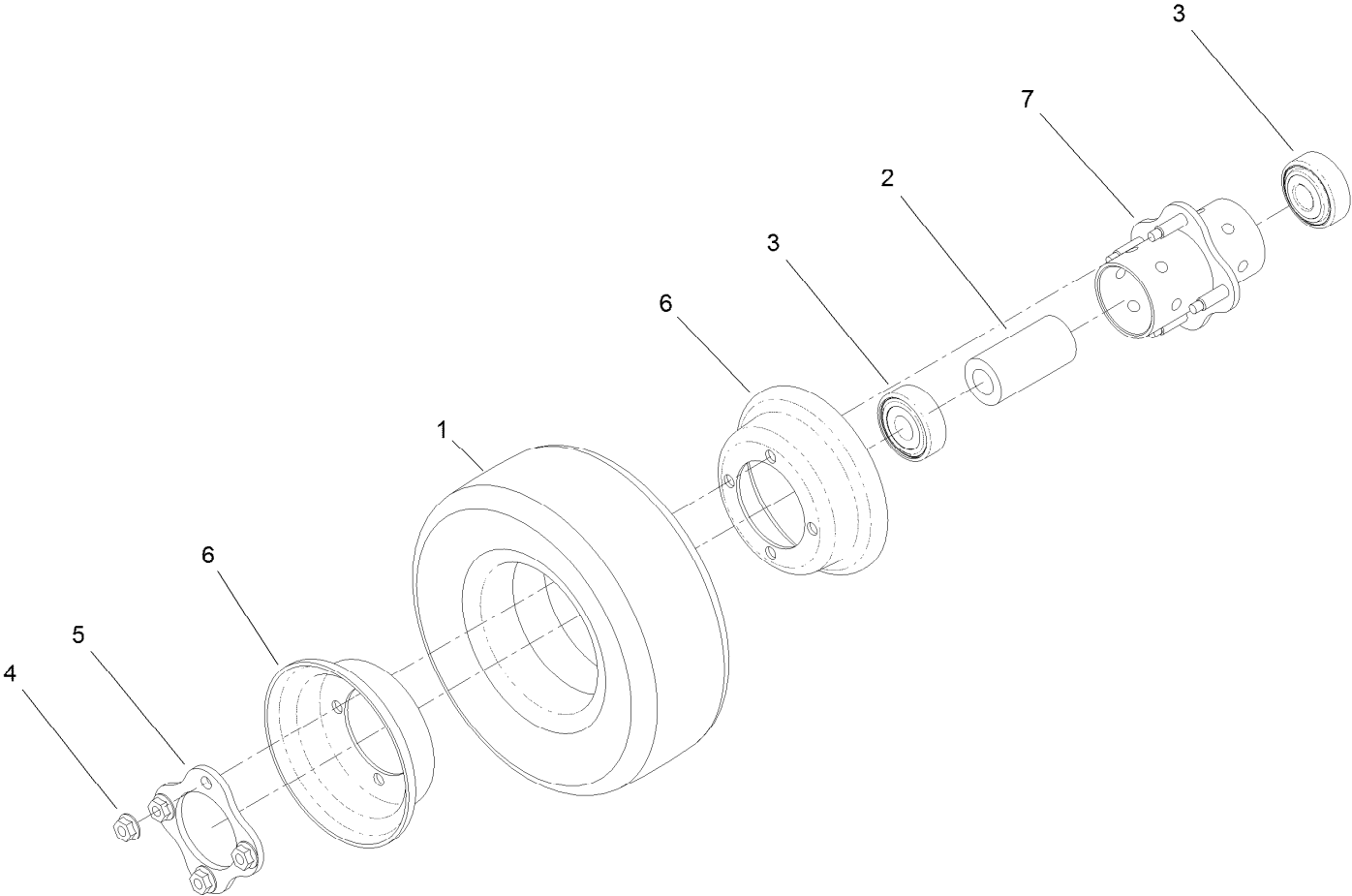


Belt Cover, Caster Arm and Wheel Assembly (continued)

<i>Ref.</i>	<i>Part Number</i>	<i>Qty.</i>	<i>Description</i>	<i>Ref.</i>	<i>Part Number</i>	<i>Qty.</i>	<i>Description</i>
1	98-5967	1	Spacer-Wheel	22:2	92-5583	1	Washer-Cap
2	108-5388	1	Screw-HH	22:3	92-9726	1	Spring-Compression
3	104-8301	25	Nut-HF, NI	22:4	92-8861	1	Cap-HOC
4	1-603299	4	Roller-Scalp, Anti	23	137-5529	2	Wheel ASM
5	98-7912	2	Tube-Spanner	24	327-24	2	Screw-HH
6	323-23	2	Screw-HH	25	3296-53	2	Nut-Lock, NI
7	1-373034	4	Washer	26	139-6203	2	Screw-HH
8	109-6982	2	Wireform-Cover	27	138-7373	1	Cover-Belt, Center
9	98-7913	2	Tube-Spacer	28	3230-3	1	Screw-CARR
10	117-7815	1	RH Belt Cover ASM	29	104-8300	14	Nut-HF, NI
10:2	117-3824	1	Plug-Plastic	30	139-0908	1	Flap Rubber
11	117-7816	1	LH Belt Cover ASM	31	133-4543	4	Screw
11:2	117-3824	1	Plug-Plastic	32	139-0932	1	Bracket-Cover, Belt
12	3256-24	6	Washer-Flat	33	112-1479	2	Skid-Bumper, Deck
13	323-20	6	Screw-HH	34	3231-11	4	Screw-CARR
14	137-2481-01	1	Arm-Caster, LH	35	3231-44	4	Screw-CARR
14:1		1	Arm-Caster, LH ●	36	139-0909-01	1	Bracket-Flap
14:1:2		1	Hub ASM ●	37	138-4452	2	Pad-Stop, Deck
14:1:2:2	69-6470	2	Bushing-Caster	38	3230-10	9	Bolt-CARR
15	137-2485-01	1	Arm-Caster, RH	39	139-6345	1	Spring-Pin
15:1		1	Arm-Caster, RH ●	40	139-0888	1	Latch ASM
15:1:2		1	Hub ASM ●	41	126-4781	1	Step-Deck
15:1:2:2	69-6470	2	Bushing-Caster	42	66-0561	2	Screw-Shoulder
16	302-5	2	Fitting-Grease	43	139-6324-03	1	Guard LH ASM
17	140-3064	2	Pin-HOC ASM	44	3-6803	2	Washer-Adjusting
18	103-0865	2	Washer-Blade Bolt, Heavy	45	51-4380	1	Spring-Torsion, LH
19	69-6860	4	Washer-Thrust	46	139-6321-03	1	Guard RH ASM
20	137-2546-01	2	Fork-Caster	47	51-4370	1	Spring-Torsion, RH
21	69-1510	14	Spacer	48	3231-27	4	Screw-CARR
22	92-9727	2	HOC Cap ASM	49	3296-6	2	Nut-Lock
22:1	92-5581	1	Ring-Rtng, Snap, Int, Flat				

● Not serviced separately

Wheel Assembly No. 137-5529

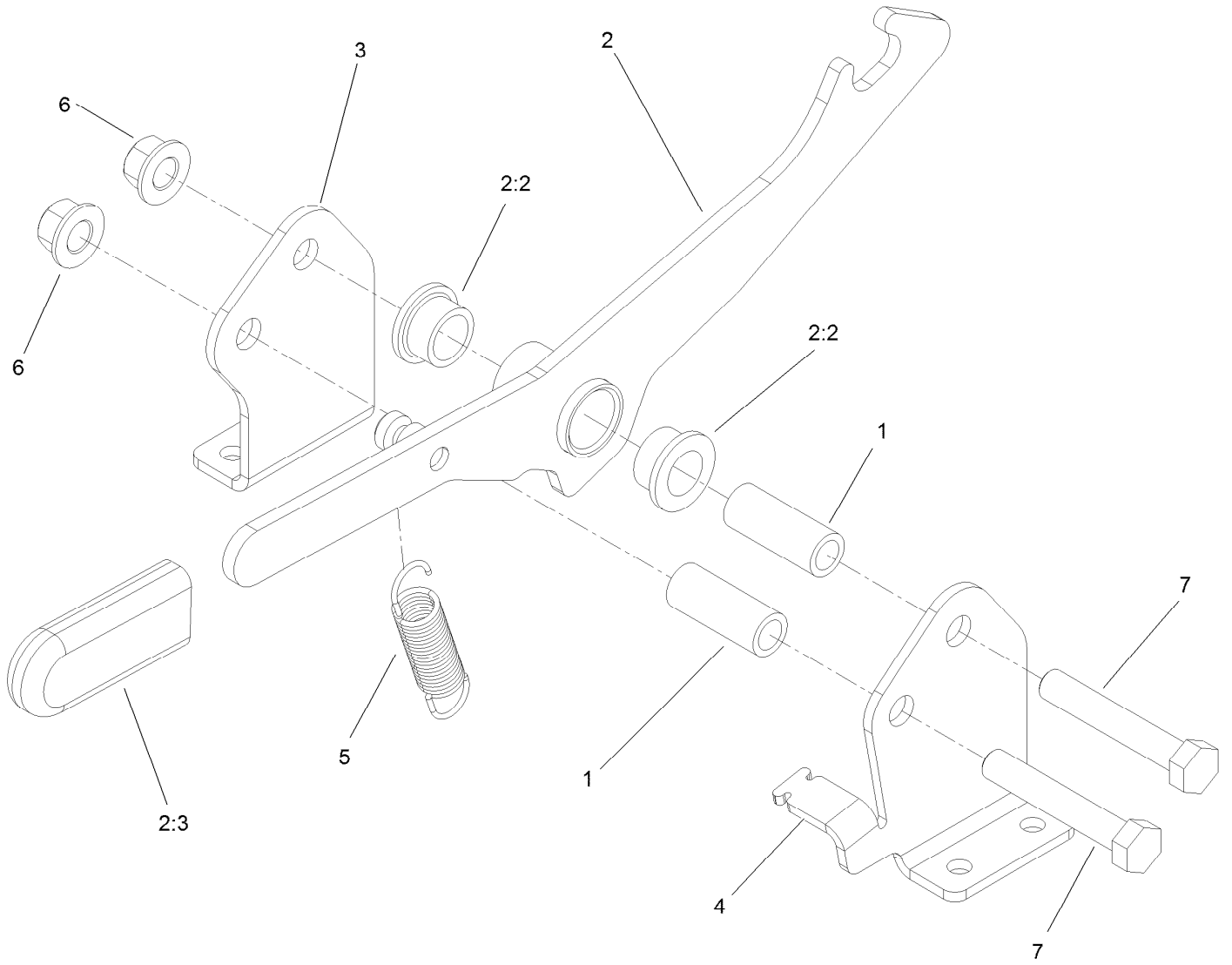


Wheel Assembly No. 137-5529 (continued)

<i>Ref.</i>	<i>Part Number</i>	<i>Qty.</i>	<i>Description</i>
1	136-4424	1	Tire-Pneumatic, Semi
2	93-4241	1	Spacer-Bearing, Inner
3	120-3366	2	Bearing
4	32128-16	4	Nut-HHF

<i>Ref.</i>	<i>Part Number</i>	<i>Qty.</i>	<i>Description</i>
5	93-4242	1	Plate
6	137-5552	2	Rim-Wheel, Half
7	93-5980	1	Hub

Latch Assembly No. 139-0888



Latch Assembly No. 139-0888 (continued)

<i>Ref.</i>	<i>Part Number</i>	<i>Qty.</i>	<i>Description</i>	<i>Ref.</i>	<i>Part Number</i>	<i>Qty.</i>	<i>Description</i>
1	117-0380	2	Spacer	4	139-0887	1	Bracket-Latch, Mount (LH)
2	138-0283	1	Latch Arm ASM	5	130-9645	1	Spring-Extension
2:2	93-2877	2	Bushing	6	99-5107	2	Nut-Lock
2:3	119-1846	1	Grip	7	325-12	2	Screw-HH
3	139-0889	1	Bracket-Latch, Mount (RH)				

Notes:

Notes:



Count on it.