



**Count on it.**

**Parts Catalog**

**72in Rear Discharge Rotary  
Mower**

**Groundsmaster® 3000 Series Traction Unit**

**Model No. 31975—Serial No. 40000000 and Up**



# Ordering Replacement Parts

To order replacement parts, please supply the part number, the quantity, and the description of each part desired.

## Understanding Reference Numbers

Each identified part in an illustration has a reference number. The reference number for a part also appears in the parts list, along with other information about the part.

This catalog uses two special reference number formats, one to indicate parts in a service assembly and another to indicate the quantity of a given part in an illustration.

## Service Assembly Reference Numbers

Parts in service assemblies have reference numbers in the form a:b. The a represents the reference number of the entire service assembly and the b represents a sequential number unique to each part within the service assembly.

For example, a wheel assembly might be identified by reference number 6, the tire by 6:1, the valve by 6:2, and the wheel by 6:3. When you order the assembly identified by reference number 6, you receive all parts identified by reference numbers 6:1, 6:2, and 6:3. However, you may also order any part individually. Reference numbers of this type appear in illustration and in parts lists.

## Reference Numbers Indicating Quantity

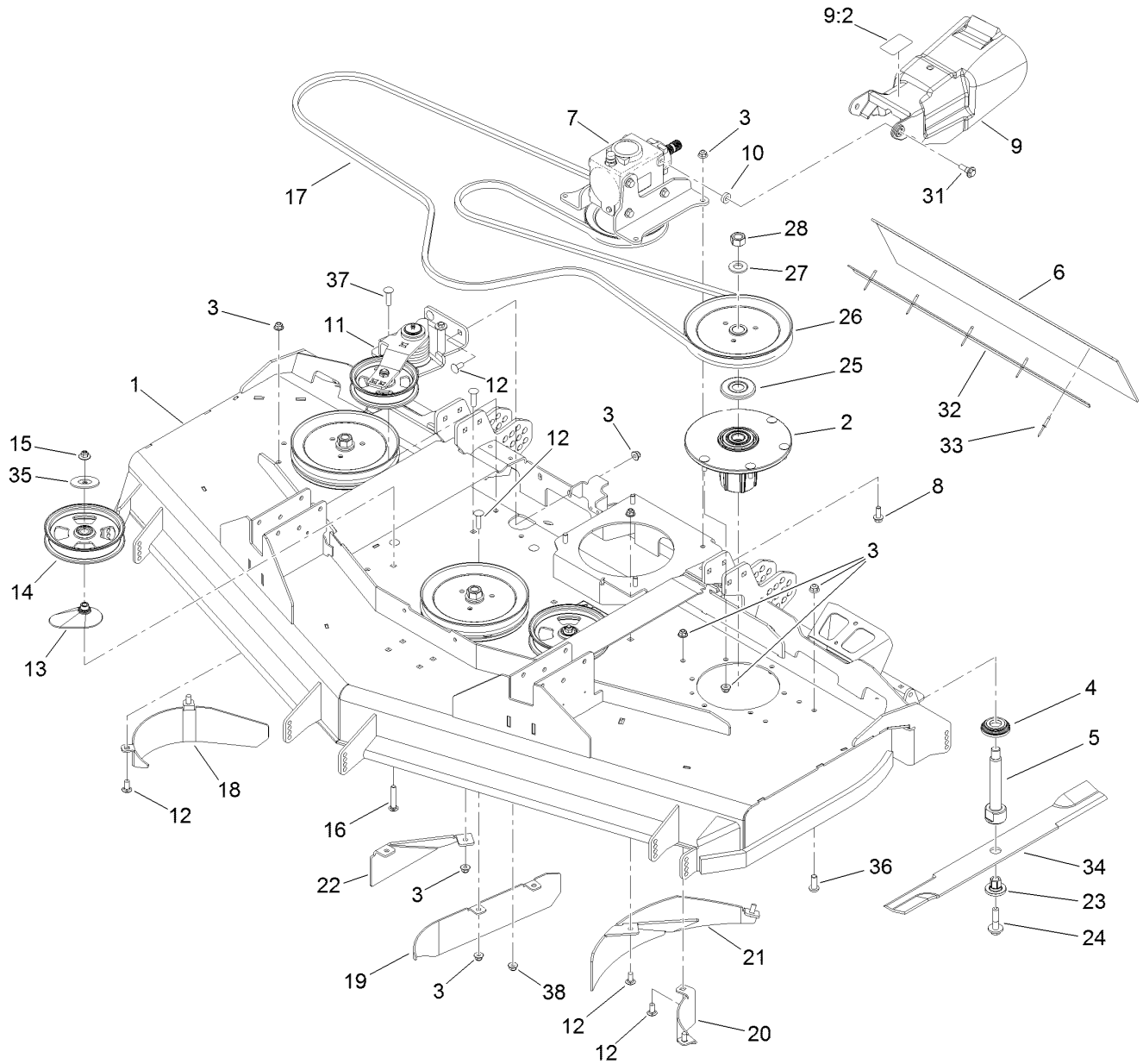
In an illustration, if a reference number indicates more than one part, the reference number has the form nX y. The n represents the quantity of the part, the X is the multiplication symbol, and the y represents the reference number.

For example, in an illustration, the reference number 2X 37 means that two of the parts identified by reference number 37 are indicated.

# Contents

Deck Assembly .....	4
Decal Deck Assembly No. 139-0894SP .....	6
Spindle Assembly No. 137-9780 .....	8
Gearbox Assembly .....	10
Gearbox Assembly No. 145-5990 .....	12
Tensioner Assembly No. 140-9027 .....	14
Belt Cover, Caster Arm and Wheel Assembly .....	16
Wheel Assembly No. 137-5529 .....	18
Latch Assembly No. 139-0888 .....	20

# Deck Assembly

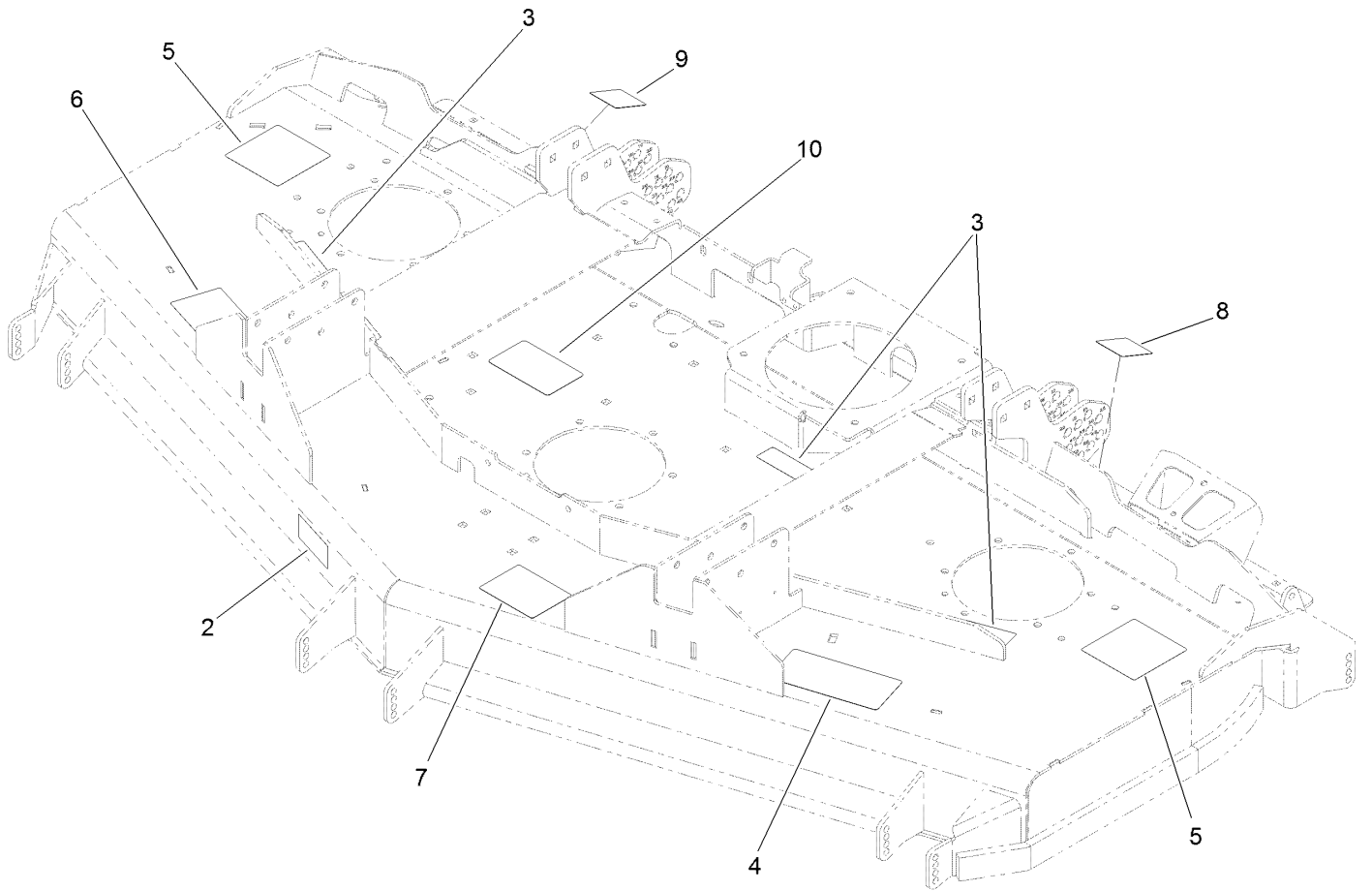


## Deck Assembly (continued)

<i>Ref.</i>	<i>Part Number</i>	<i>Qty.</i>	<i>Description</i>	<i>Ref.</i>	<i>Part Number</i>	<i>Qty.</i>	<i>Description</i>
1	139-0894SP	1	Deck W/Decals	18	137-2541-0P	1	Baffle-Inner, LH
2	137-9780	3	Spindle ASM	19	140-9043-0P	1	Baffle-Inner, Center
3	104-8301	40	Nut-HF, NI	20	137-2543-0P	1	Baffle-Inner, RH
4	137-9784	3	Guard-Bottom	21	139-6312-0P	1	Baffle
5	138-6045	3	Shaft-Spindle	22	140-9045-0P	1	Baffle-Kicker, Center
6	140-3054	1	Flap-Rubber, Middle	23	137-9787	3	Bushing-Hex
7		1	Gearbox ASM ●	24	109-9220	3	Screw-Sems
8	3231-22	4	Screw-CARR	25	103-1330	3	Guard-Bearing, Top
9	139-6301	1	PTO Guard W/Decals	26	138-6060	3	Sheave-Drive, Blade
9:2	139-6303	1	Decal-Danger, Entanglement	27	103-2802	3	Washer
10	5-0652	2	Spacer	28	116-7306	3	Nut-Hex
11	140-9027	1	Tensioner ASM	31	109-9840	2	Screw-Shoulder, HHF
12	3231-27	9	Screw-CARR	32	140-3053-0P	1	Bracket-Flap, Middle
13	109-2872	2	Spacer-Pulley	33	103-0138	5	Rivet-Pop
14	136-5404	2	Pulley-Idler, Flat	34	140-4851	3	Blade-Low Flow, 24.50
15	109-6658	2	Nut-Flange, NI	35	126-8043	2	Shield-Dust
16	3231-40	2	Bolt-CARR	36	3274-80	7	Screw-HH
17	140-3065	1	Belt-B Section	37	3231-28	5	Screw-CARR
				38	32128-21	3	Nut-HF Lock

● Not serviced separately

# Decal Deck Assembly No. 139-0894SP



## Decal Deck Assembly No. 139-0894SP (continued)

<i>Ref.</i>	<i>Part Number</i>	<i>Qty.</i>	<i>Description</i>	<i>Ref.</i>	<i>Part Number</i>	<i>Qty.</i>	<i>Description</i>
2	116-8283	1	Decal-Torque, Bolt	7	127-0326	1	Decal-Scalp, Anti
3	117-4979	3	Decal-Warning	8	137-5945	1	Decal-H0C, LH
4	137-5949	1	Decal-HOC	9	137-5946	1	Decal-HOC, RH
5	120-6604	2	Decal-Danger	10	138-7359	1	Decal-Routing, Belt
6	140-3146	1	Decal-183 CM				

# Spindle Assembly No. 137-9780

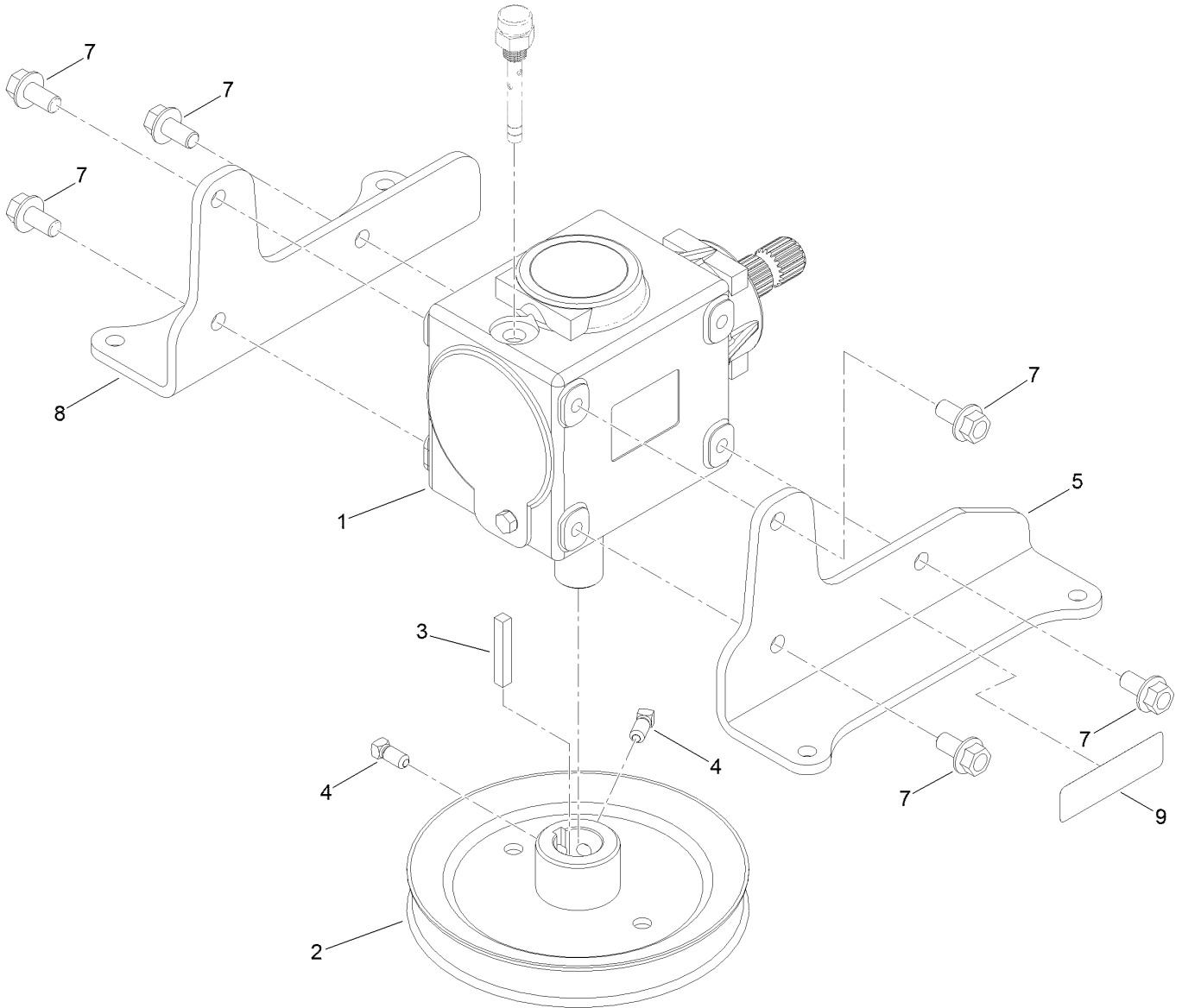




# Spindle Assembly No. 137-9780 (continued)

<i>Ref.</i>	<i>Part Number</i>	<i>Qty.</i>	<i>Description</i>
2	116-0720	2	Bearing-Ball
3	138-6042	1	Spacer-Bearing

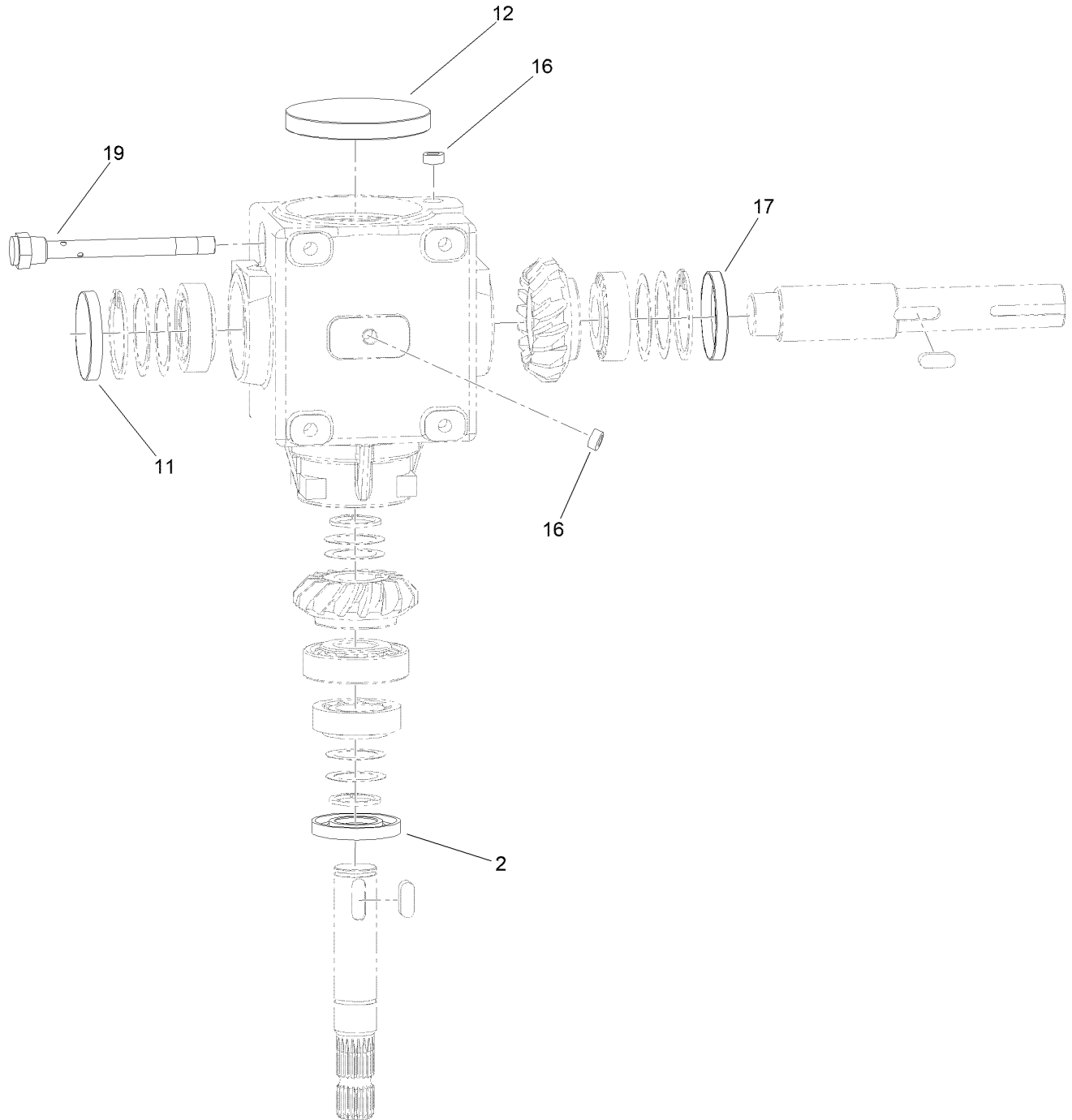
# Gearbox Assembly



## Gearbox Assembly (continued)

<i>Ref.</i>	<i>Part Number</i>	<i>Qty.</i>	<i>Description</i>	<i>Ref.</i>	<i>Part Number</i>	<i>Qty.</i>	<i>Description</i>
1	145-5990	1	Gearbox	5	144-0494-03	1	Bracket-Gearbox, LH
2	140-9038	1	Pulley	7	139-6300	6	Screw-Hfl
3	94-2425	1	Key-Square	8	144-0495-03	1	Bracket-Gearbox, RH
4	1-803022	2	Screw-Set	9	93-6697	1	Decal-Lube

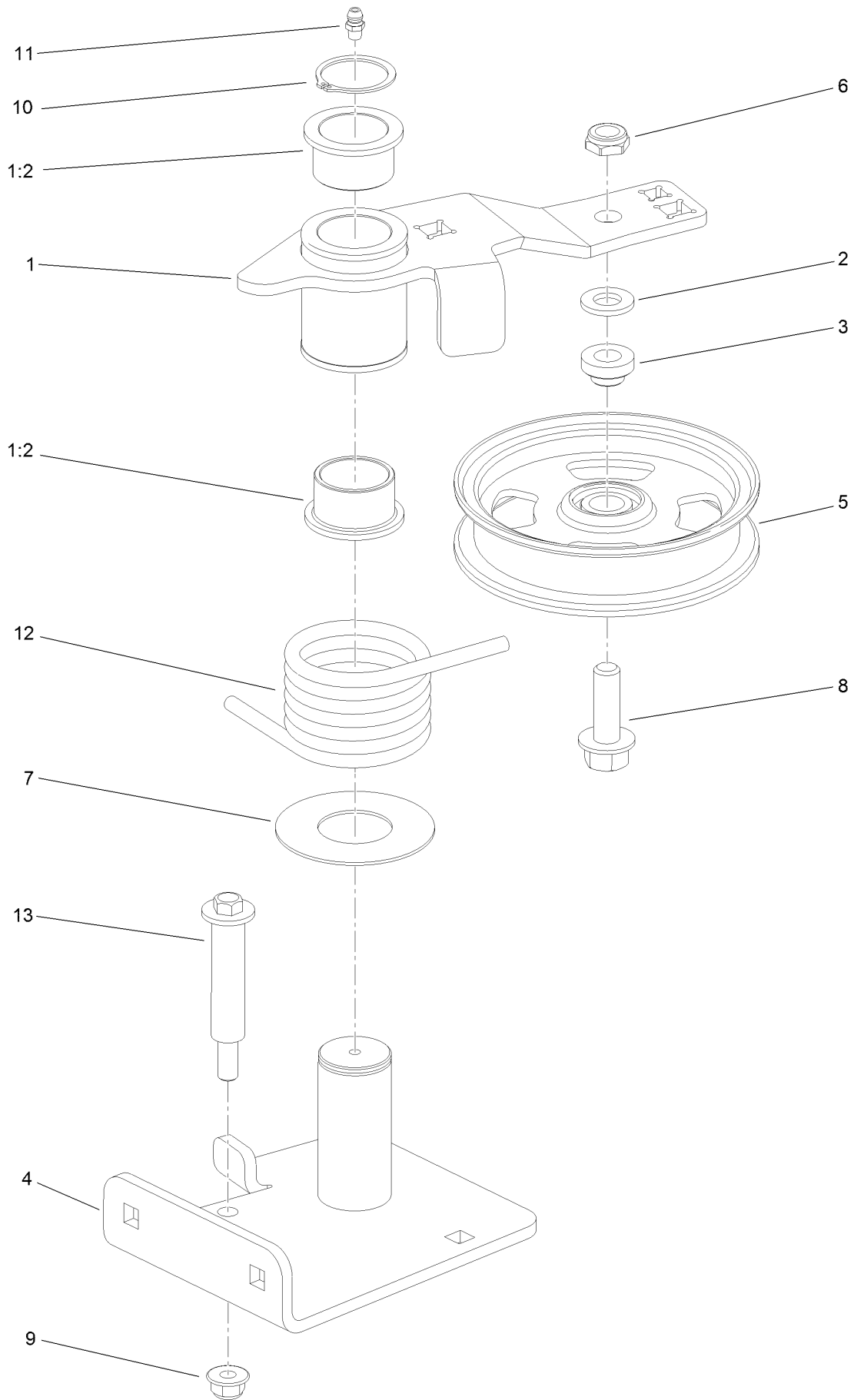
# Gearbox Assembly No. 145-5990



## Gearbox Assembly No. 145-5990 (continued)

<i>Ref.</i>	<i>Part Number</i>	<i>Qty.</i>	<i>Description</i>	<i>Ref.</i>	<i>Part Number</i>	<i>Qty.</i>	<i>Description</i>
2	140-7133	1	Seal-Oil	16	140-7132	3	Plug
11	140-7129	1	Plug-Cap	17	145-5989	1	Seal-Oil
12	140-7131	1	Plug-Cap	19	140-7130	1	Dipstick

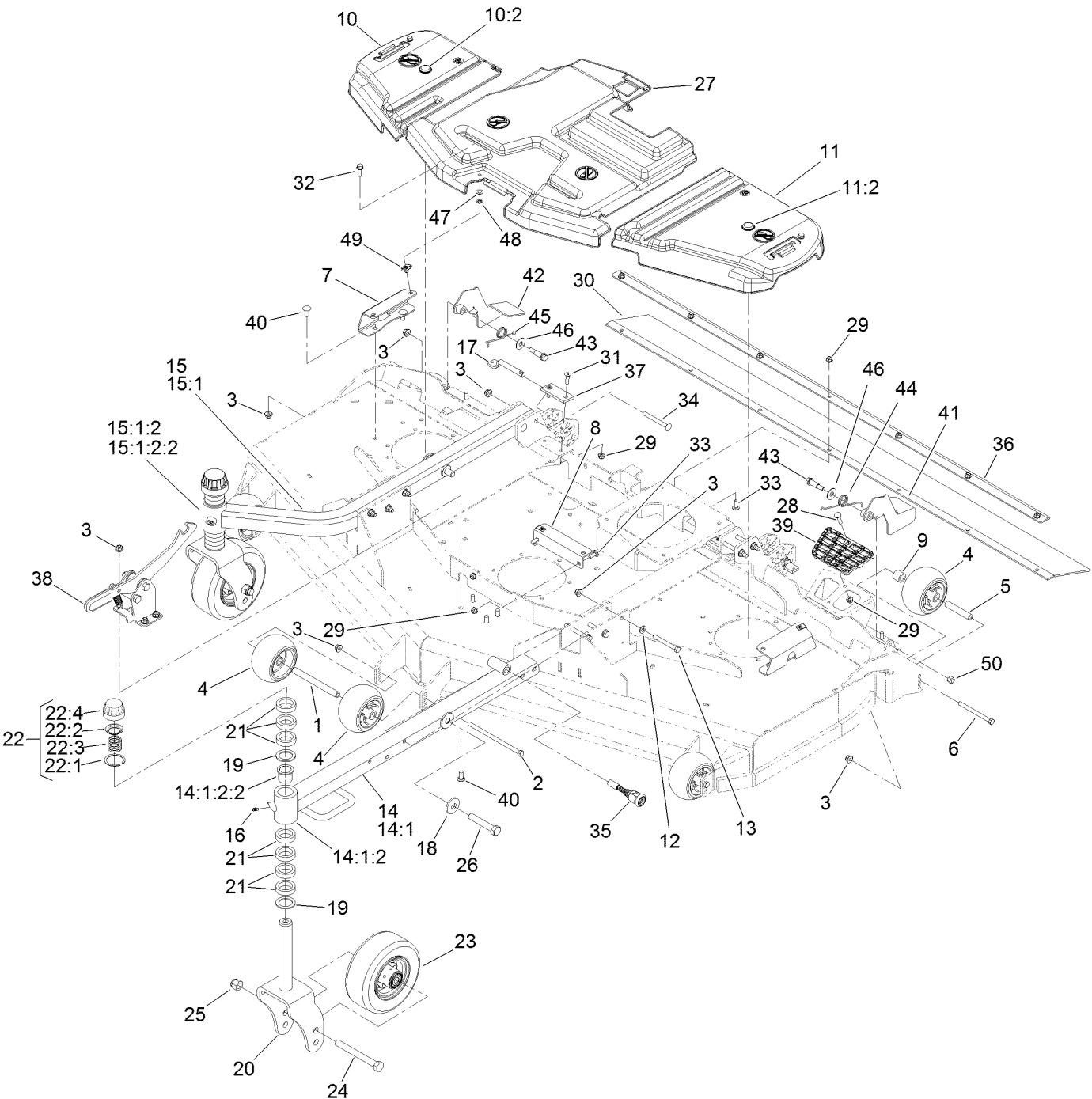
# Tensioner Assembly No. 140-9027



## Tensioner Assembly No. 140-9027 (continued)

<i>Ref.</i>	<i>Part Number</i>	<i>Qty.</i>	<i>Description</i>	<i>Ref.</i>	<i>Part Number</i>	<i>Qty.</i>	<i>Description</i>
1	138-0257	1	*obs* High Idler Arm ASM	7	108-1926	1	Washer
1:2	93-4510	2	Bushing-Caster	8	100-6116	1	Screw-HHF
2	106-9888	1	Washer-Flat	9	104-8301	1	Nut-HF, NI
3	108-1924	1	Spacer-Idler	10	32120-84	1	Ring-Snap, External
4	140-9023	1	Pivot-Idler	11	302-5	1	Fitting-Grease
5	136-5405	1	Pulley-Idler, Flat	12	112-7395	1	Spring-Torsion
6	3296-45	1	Nut-Hex	13	112-3977	1	Bolt-Shoulder

# Belt Cover, Caster Arm and Wheel Assembly





## Belt Cover, Caster Arm and Wheel Assembly (continued)

<i>Ref.</i>	<i>Part Number</i>	<i>Qty.</i>	<i>Description</i>	<i>Ref.</i>	<i>Part Number</i>	<i>Qty.</i>	<i>Description</i>
1	98-5967	1	Spacer-Wheel	22:2	92-5583	1	Washer-Cap
2	108-5388	1	Screw-HH	22:3	92-9726	1	Spring-Compression
3	104-8301	23	Nut-HF, NI	22:4	92-8861	1	Cap-HOC
4	1-603299	6	Roller-Scalp, Anti	23	137-5529	2	Wheel ASM
5	98-7912	4	Tube-Spanner	24	327-24	2	Screw-HH
6	323-23	4	Screw-HH	25	3296-53	2	Nut-Lock, NI
7	114-5882-01	2	Bracket-Cover, Belt	26	139-6203	2	Screw-HH
8	140-3066-03	1	Bracket-Belt Cover, Middle (CE)	27	138-7373	1	Cover-Belt, Center
9	98-7913	4	Tube-Spacer	28	3230-3	1	Screw-CARR
10	117-7815	1	RH Belt Cover ASM	29	104-8300	14	Nut-HF, NI
10:2	117-3824	1	Plug-Plastic	30	139-0908	1	Flap Rubber
11	117-7816	1	LH Belt Cover ASM	31	133-4543	4	Screw
11:2	117-3824	1	Plug-Plastic	32	3234-29	3	Screw-HHF
12	3256-24	6	Washer-Flat	33	3230-10	9	Bolt-CARR
13	323-20	6	Screw-HH	34	3231-11	4	Screw-CARR
14	137-2481-01	1	Arm-Caster, LH	35	139-6345	1	Spring-Pin
14:1		1	Arm-Caster, LH ●	36	139-0909-01	1	Bracket-Flap
14:1:2		1	Hub ASM ●	37	138-4452	2	Pad-Stop, Deck
14:1:2:2	69-6470	2	Bushing-Caster	38	139-0888	1	Latch ASM
15	137-2485-01	1	Arm-Caster, RH	39	126-4781	1	Step-Deck
15:1		1	Arm-Caster, RH ●	40	3231-27	8	Screw-CARR
15:1:2		1	Hub ASM ●	41	139-6324-03	1	Guard LH ASM
15:1:2:2	69-6470	2	Bushing-Caster	42	139-6321-03	1	Guard RH ASM
16	302-5	2	Fitting-Grease	43	66-0561	2	Screw-Shoulder
17	140-3064	2	Pin-HOC ASM	44	51-4380	1	Spring-Torsion, LH
18	103-0865	2	Washer-Blade Bolt, Heavy	45	51-4370	1	Spring-Torsion, RH
19	69-6860	4	Washer-Thrust	46	3-6803	2	Washer-Adjusting
20	137-2546-01	2	Fork-Caster	47	73-0041	3	Washer-Thrust
21	69-1510	14	Spacer	48	117-2749	3	Nut-Push
22	92-9727	2	HOC Cap ASM	49	94-2413	3	Nut-U
22:1	92-5581	1	Ring-Rtng, Snap, Int, Flat	50	3296-6	2	Nut-Lock

● Not serviced separately

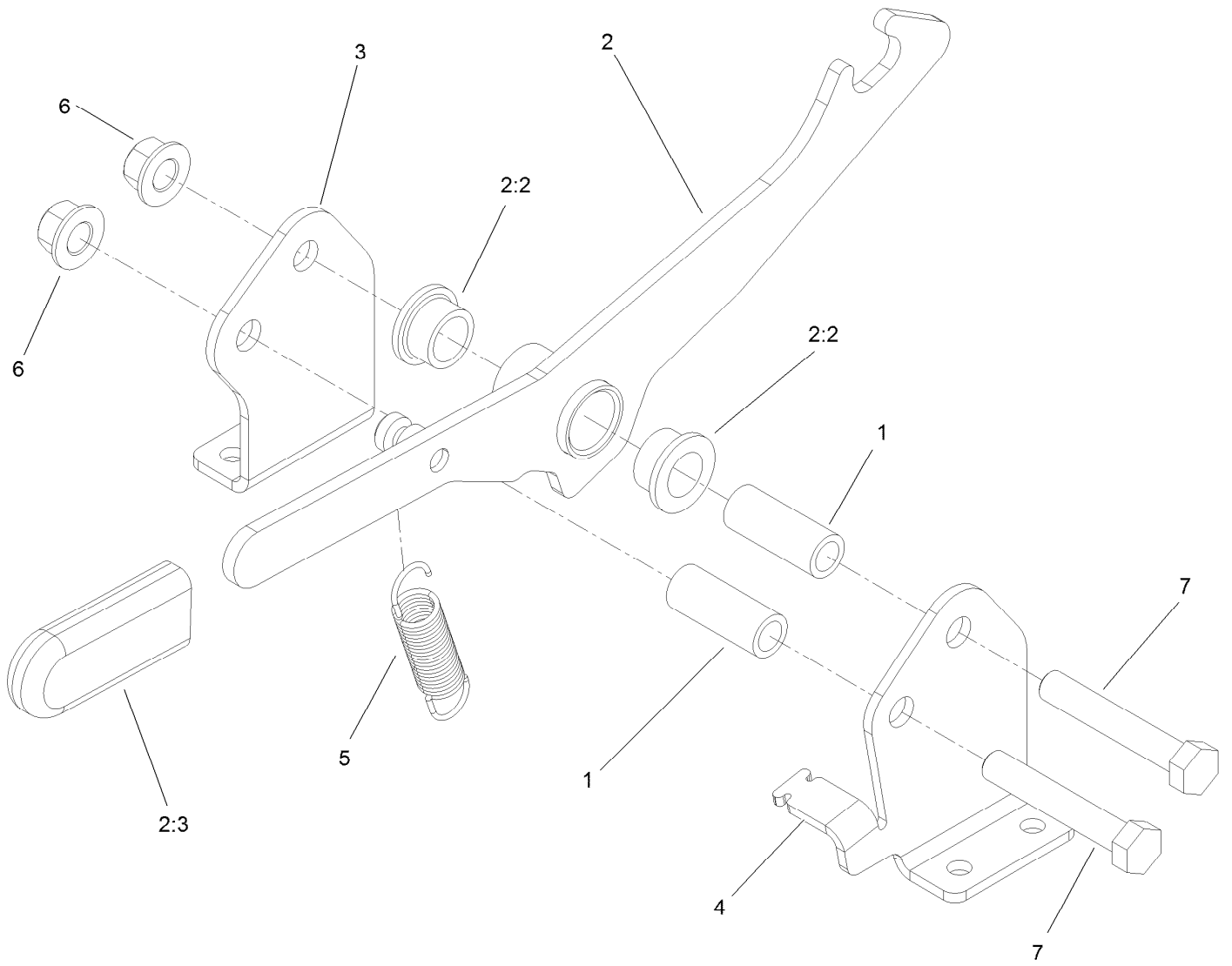


## Wheel Assembly No. 137-5529 (continued)

<i>Ref.</i>	<i>Part Number</i>	<i>Qty.</i>	<i>Description</i>
1	136-4424	1	Tire-Pneumatic, Semi
2	93-4241	1	Spacer-Bearing, Inner
3	120-3366	2	Bearing
4	32128-16	4	Nut-HHF

<i>Ref.</i>	<i>Part Number</i>	<i>Qty.</i>	<i>Description</i>
5	93-4242	1	Plate
6	137-5552	2	Rim-Wheel, Half
7	93-5980	1	Hub

# Latch Assembly No. 139-0888



## Latch Assembly No. 139-0888 (continued)

<i>Ref.</i>	<i>Part Number</i>	<i>Qty.</i>	<i>Description</i>
1	117-0380	2	Spacer
2	138-0283	1	Latch Arm ASM
2:2	93-2877	2	Bushing
2:3	119-1846	1	Grip
3	139-0889	1	Bracket-Latch, Mount (RH)

<i>Ref.</i>	<i>Part Number</i>	<i>Qty.</i>	<i>Description</i>
4	139-0887	1	Bracket-Latch, Mount (LH)
5	130-9645	1	Spring-Extension
6	99-5107	2	Nut-Lock
7	325-12	2	Screw-HH

**Notes:**

**Notes:**



**Count on it.**