



Count on it.

Parts Catalog

**60in Rear Discharge Rotary
Mower**

Groundsmaster® 3000 Series Traction Unit

Model No. 31971—Serial No. 40000000 and Up



Ordering Replacement Parts

To order replacement parts, please supply the part number, the quantity, and the description of each part desired.

Understanding Reference Numbers

Each identified part in an illustration has a reference number. The reference number for a part also appears in the parts list, along with other information about the part.

This catalog uses two special reference number formats, one to indicate parts in a service assembly and another to indicate the quantity of a given part in an illustration.

Service Assembly Reference Numbers

Parts in service assemblies have reference numbers in the form a:b. The a represents the reference number of the entire service assembly and the b represents a sequential number unique to each part within the service assembly.

For example, a wheel assembly might be identified by reference number 6, the tire by 6:1, the valve by 6:2, and the wheel by 6:3. When you order the assembly identified by reference number 6, you receive all parts identified by reference numbers 6:1, 6:2, and 6:3. However, you may also order any part individually. Reference numbers of this type appear in illustration and in parts lists.

Reference Numbers Indicating Quantity

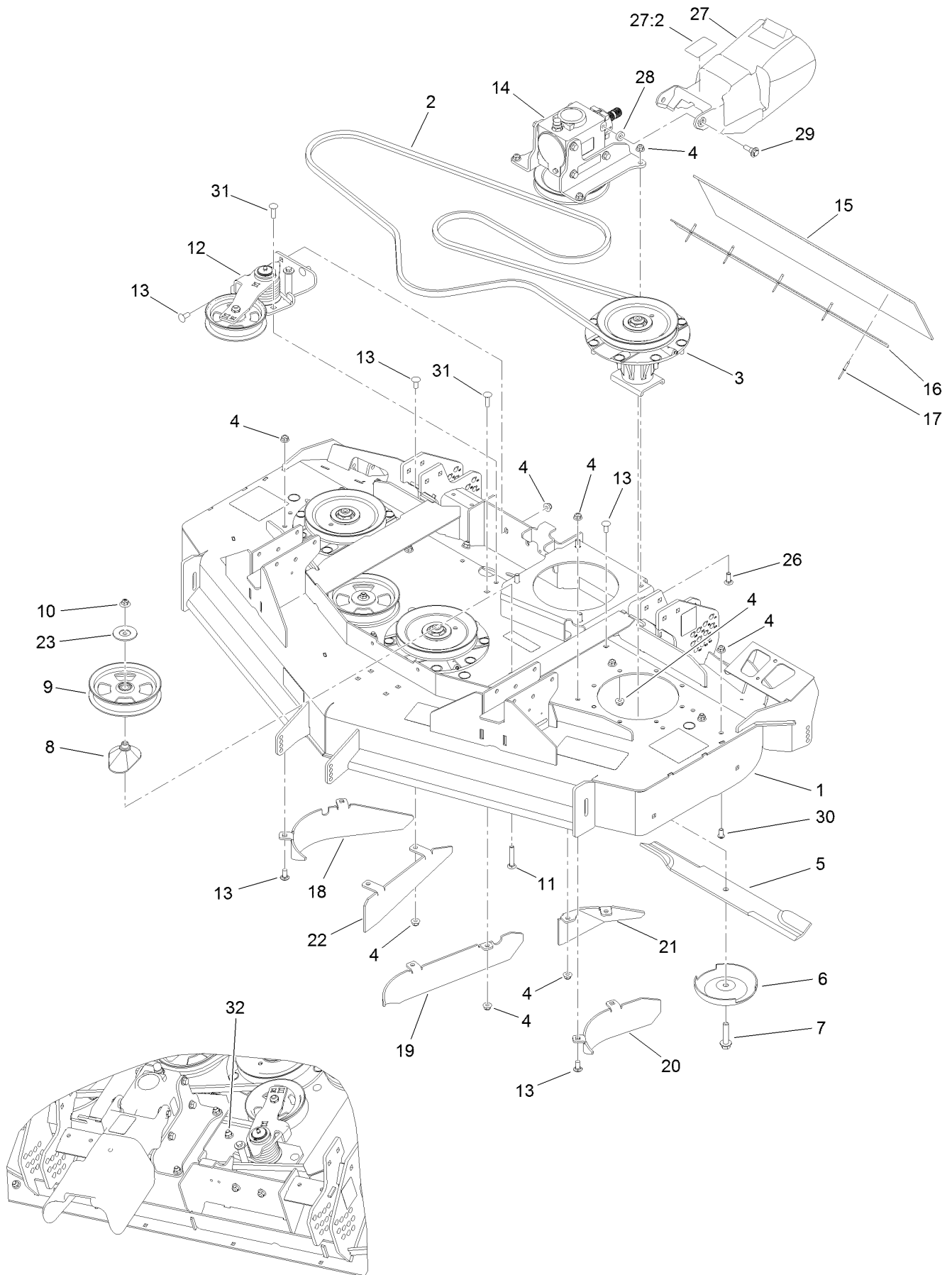
In an illustration, if a reference number indicates more than one part, the reference number has the form nX y. The n represents the quantity of the part, the X is the multiplication symbol, and the y represents the reference number.

For example, in an illustration, the reference number 2X 37 means that two of the parts identified by reference number 37 are indicated.

Contents

Deck Assembly	4
Deck Decal Assembly No. 138-4446SP	6
Spindle Assembly No. 138-4449	8
Tensioner Assembly No. 140-9026	10
Gearbox Assembly	12
Gearbox Assembly No. 145-5990	14
Belt Cover, Caster Arm and Wheel Assembly	16
Wheel Assembly No. 137-5529	18
Latch Assembly No. 139-0888	20

Deck Assembly

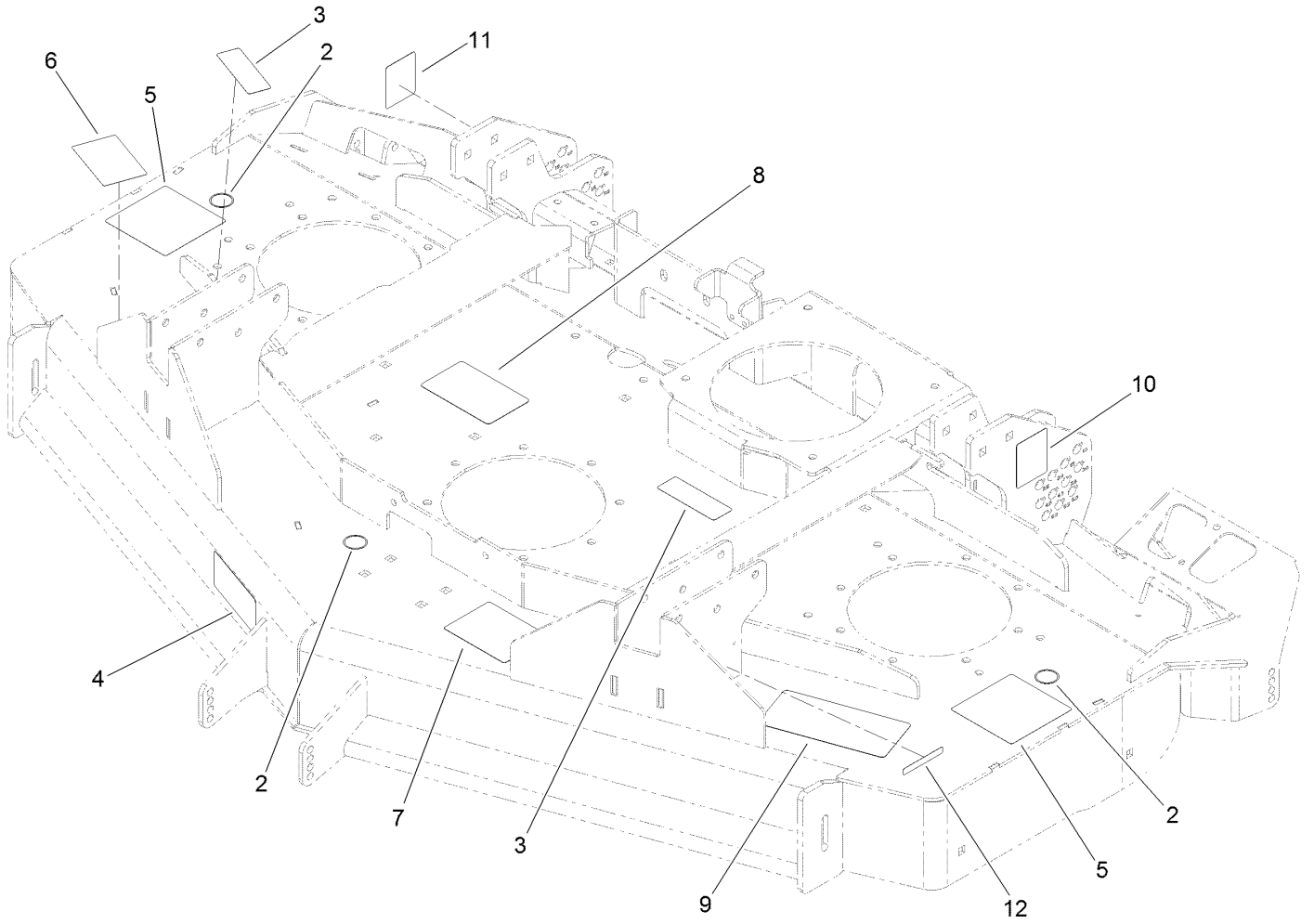


Deck Assembly (continued)

<i>Ref.</i>	<i>Part Number</i>	<i>Qty.</i>	<i>Description</i>	<i>Ref.</i>	<i>Part Number</i>	<i>Qty.</i>	<i>Description</i>
1	138-4446SP	1	Deck W/Decals	17	103-0138	5	Rivet-Pop
2	139-6342	1	Belt-V	18	138-0252-0P	1	Baffle-Inner, RH
3	138-4449	3	Spindle ASM	19	140-9041-0P	1	Baffle-Inner, Center
4	104-8301	50	Nut-HF, NI	20	137-5800-0P	1	Baffle-Inner, RH
5	110-4701-03	3	Blade-Rotary, 20.5 Med Flow	21	137-5903-0P	1	Baffle-Kicker, LH
6	72-9361	3	Cup-Scalp, Anti	22	137-5902-0P	1	Baffle, Long RH
7	92-5816	3	Bolt-Blade	23	126-8043	2	Shield-Dust
8	109-2872	2	Spacer-Pulley	26	3231-22	4	Screw-CARR
9	136-5404	2	Pulley-Idler, Flat	27	139-6301	1	PTO Guard W/Decals
10	109-6658	2	Nut-Flange, NI	27:2	139-6303	1	Decal-Danger, Entanglement
11	3231-40	2	Bolt-CARR	28	5-0652	2	Spacer
12	140-9026	1	Tensioner ASM	29	109-9840	2	Screw-Shoulder, HHF
13	3231-27	10	Screw-CARR	30	3274-80	7	Screw-HH
14		1	Gearbox ASM ●	31	3231-28	4	Screw-CARR
15	140-3054	1	Flap-Rubber, Middle	32	3274-94	1	Screw-HSBH
16	140-3053-0P	1	Bracket-Flap, Middle				

● Not serviced separately

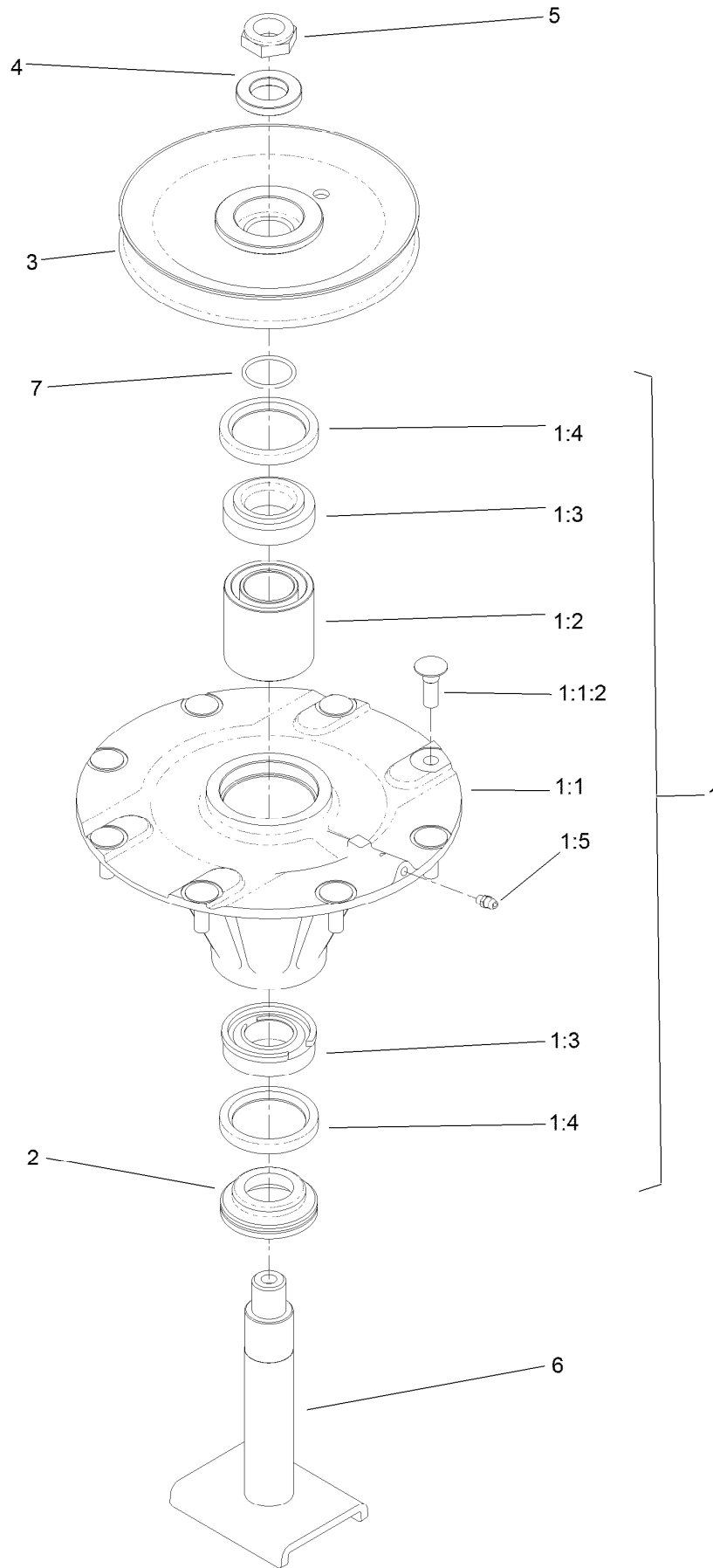
Deck Decal Assembly No. 138-4446SP



Deck Decal Assembly No. 138-4446SP (continued)

<i>Ref.</i>	<i>Part Number</i>	<i>Qty.</i>	<i>Description</i>	<i>Ref.</i>	<i>Part Number</i>	<i>Qty.</i>	<i>Description</i>
2	58-6520	3	Decal-Grease	8	138-7359	1	Decal-Routing, Belt
3	117-4979	3	Decal-Warning	9	137-5949	1	Decal-HOC
4	93-7818	1	Decal-Torque, Blade Bolt	10	139-6348	1	Decal-HOC, LH
5	120-6604	2	Decal-Danger	11	139-6349	1	Decal-HOC, RH
6	108-1990	1	Decal	12	133-8061	1	Decal-Warning
7	127-0326	1	Decal-Scalp, Anti				

Spindle Assembly No. 138-4449

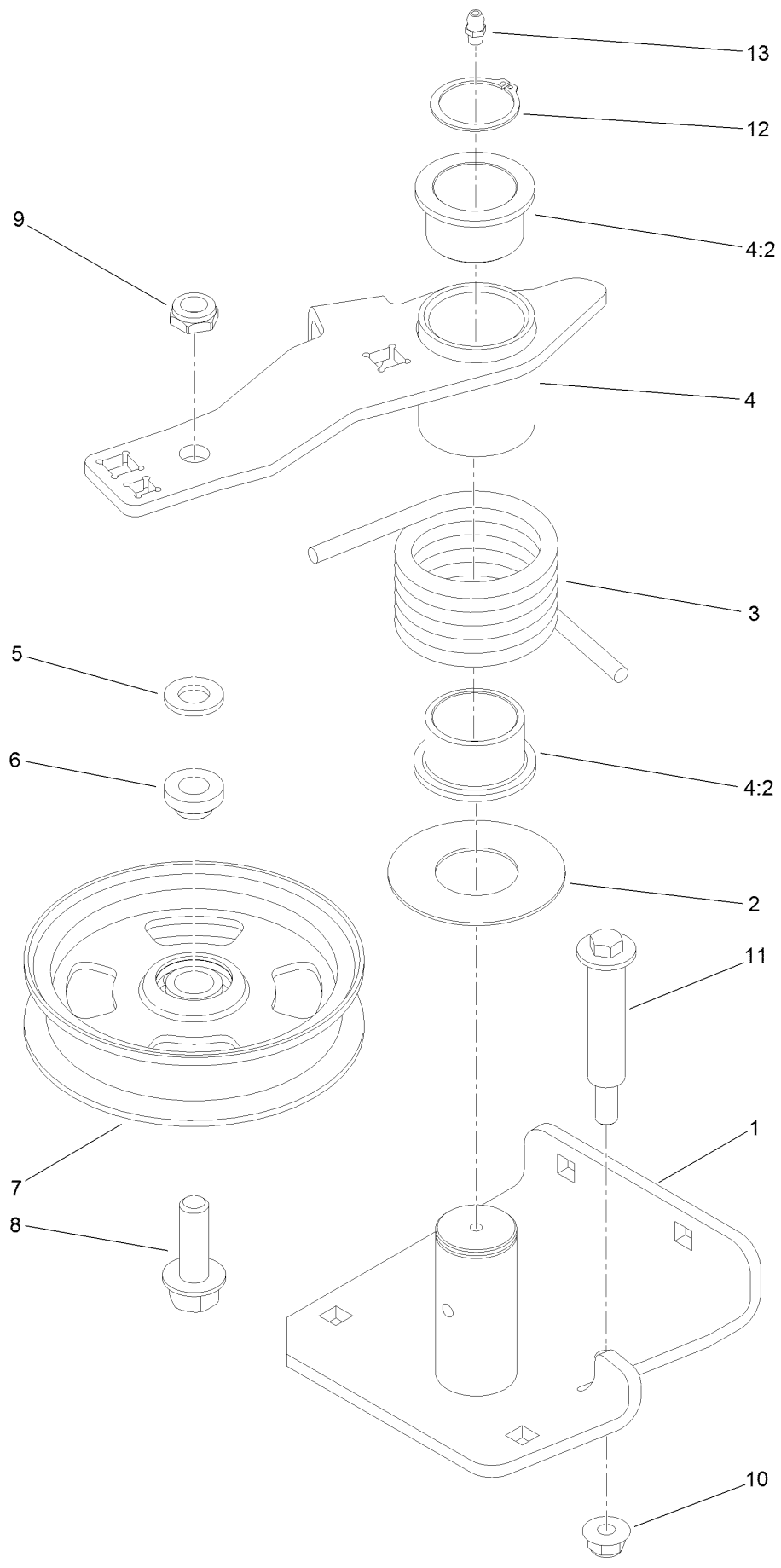


Spindle Assembly No. 138-4449 (continued)

<i>Ref.</i>	<i>Part Number</i>	<i>Qty.</i>	<i>Description</i>	<i>Ref.</i>	<i>Part Number</i>	<i>Qty.</i>	<i>Description</i>
1	139-6338	1	Spindle Housing ASM	2	138-6416	1	Spacer-Spindle, Shaft
1:1		1	Spindle ASM ●	3	138-4521	1	Pulley ASM
1:1:2	114-8195	8	Bolt-Neck, Ribbed	4	120-5576	1	Washer-Hardened
1:2	108-1954	1	Bearing Spacer Set	5	3296-60	1	Nut-Lock, NI
1:3	110-8297	1	Bearing ASM	6	139-1042	1	Spindle-Shaft
1:4	253-154	2	Seal-Oil	7	106-7159	1	O-Ring
1:5	302-5	1	Fitting-Grease				

● Not serviced separately

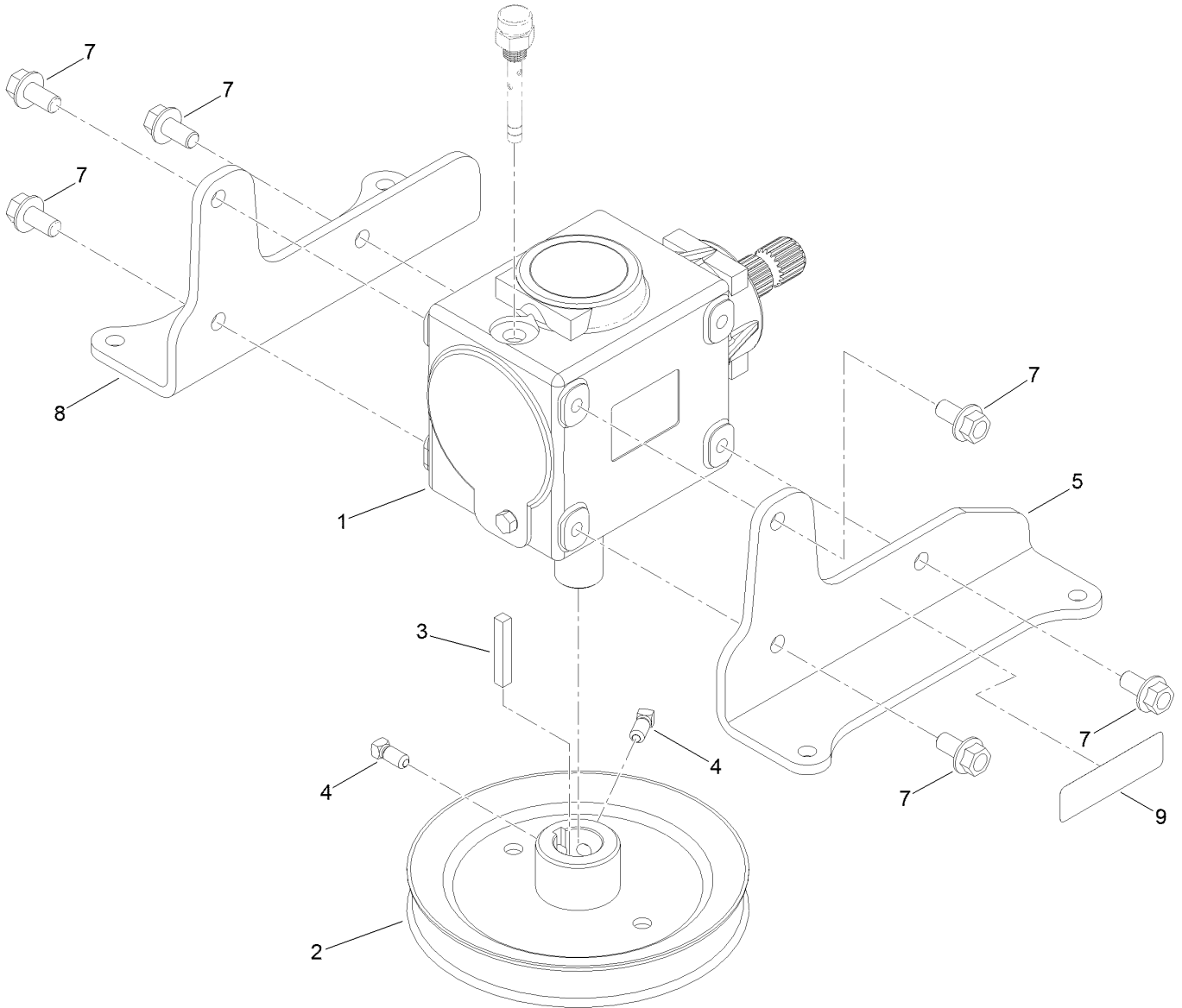
Tensioner Assembly No. 140-9026



Tensioner Assembly No. 140-9026 (continued)

<i>Ref.</i>	<i>Part Number</i>	<i>Qty.</i>	<i>Description</i>	<i>Ref.</i>	<i>Part Number</i>	<i>Qty.</i>	<i>Description</i>
1	140-9021	1	Pivot-Idler	7	136-5405	1	Pulley-Idler, Flat
2	108-1926	1	Washer	8	100-6116	1	Screw-HHF
3	112-7395	1	Spring-Torsion	9	3296-45	1	Nut-Hex
4	138-0257	1	*obs* High Idler Arm ASM	10	104-8301	1	Nut-HF, NI
4:2	93-4510	2	Bushing-Caster	11	112-3977	1	Bolt-Shoulder
5	106-9888	1	Washer-Flat	12	32120-84	1	Ring-Snap, External
6	108-1924	1	Spacer-Idler	13	302-5	1	Fitting-Grease

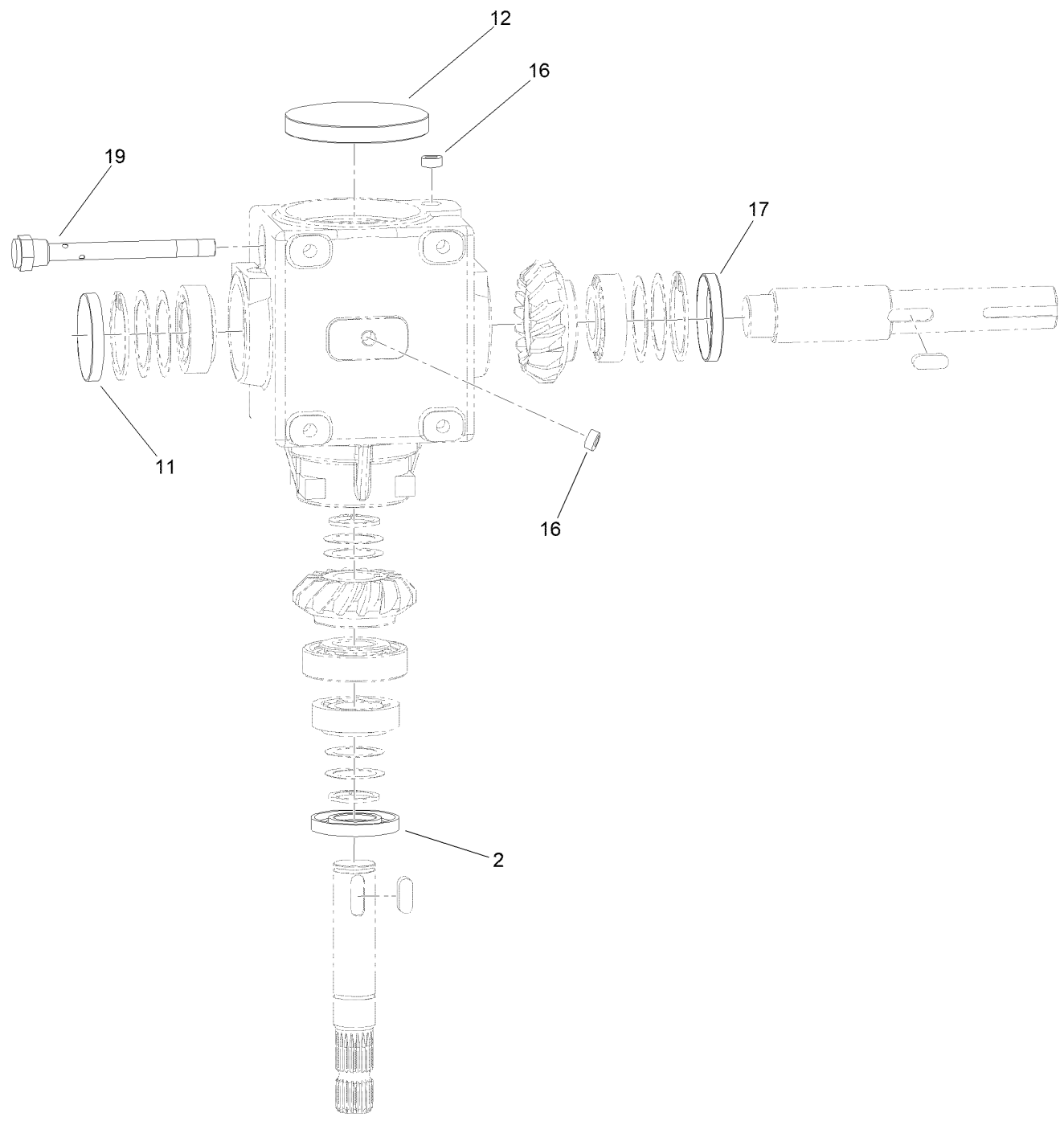
Gearbox Assembly



Gearbox Assembly (continued)

<i>Ref.</i>	<i>Part Number</i>	<i>Qty.</i>	<i>Description</i>	<i>Ref.</i>	<i>Part Number</i>	<i>Qty.</i>	<i>Description</i>
1	145-5990	1	Gearbox	5	144-0494-03	1	Bracket-Gearbox, LH
2	140-9038	1	Pulley	7	139-6300	6	Screw-Hfl
3	94-2425	1	Key-Square	8	144-0495-03	1	Bracket-Gearbox, RH
4	1-803022	2	Screw-Set	9	93-6697	1	Decal-Lube

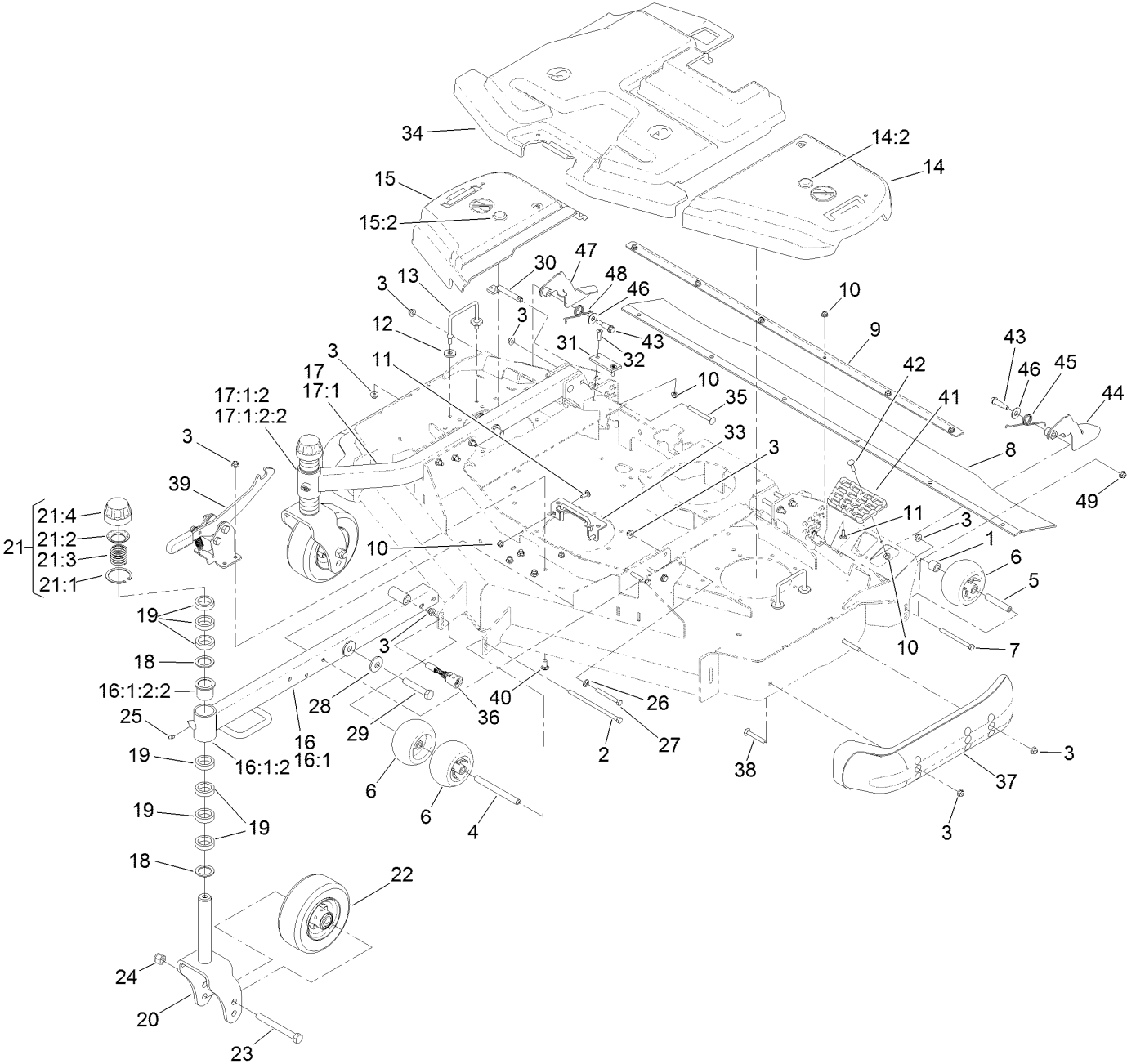
Gearbox Assembly No. 145-5990



Gearbox Assembly No. 145-5990 (continued)

<i>Ref.</i>	<i>Part Number</i>	<i>Qty.</i>	<i>Description</i>	<i>Ref.</i>	<i>Part Number</i>	<i>Qty.</i>	<i>Description</i>
2	140-7133	1	Seal-Oil	16	140-7132	3	Plug
11	140-7129	1	Plug-Cap	17	145-5989	1	Seal-Oil
12	140-7131	1	Plug-Cap	19	140-7130	1	Dipstick

Belt Cover, Caster Arm and Wheel Assembly

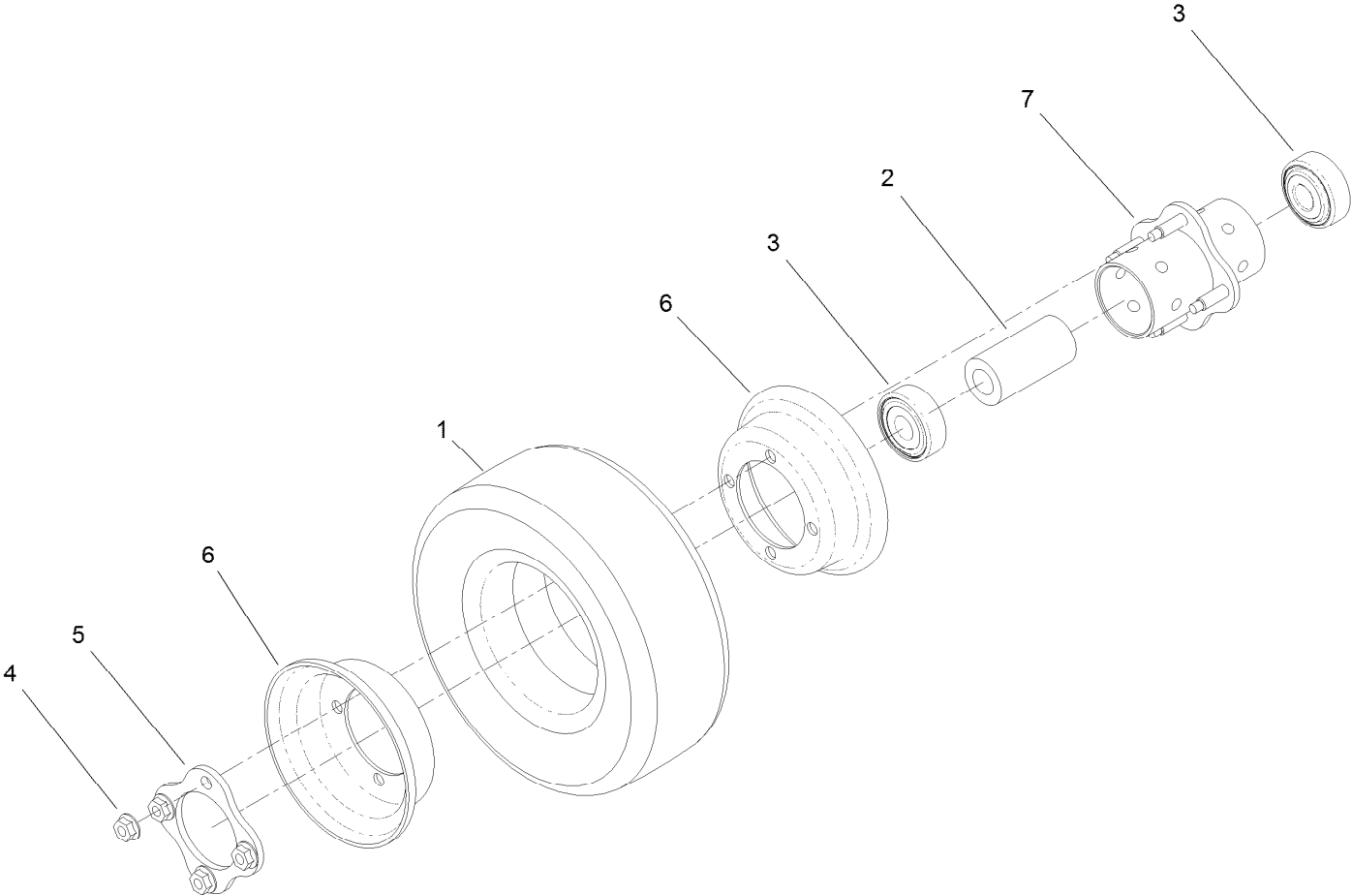


Belt Cover, Caster Arm and Wheel Assembly (continued)

<i>Ref.</i>	<i>Part Number</i>	<i>Qty.</i>	<i>Description</i>	<i>Ref.</i>	<i>Part Number</i>	<i>Qty.</i>	<i>Description</i>
1	98-7913	2	Tube-Spacer	21:3	92-9726	1	Spring-Compression
2	108-5388	1	Screw-HH	21:4	92-8861	1	Cap-HOC
3	104-8301	25	Nut-HF, NI	22	137-5529	2	Wheel ASM
4	98-5967	1	Spacer-Wheel	23	327-24	2	Screw-HH
5	98-7912	2	Tube-Spinner	24	3296-53	2	Nut-Lock, NI
6	1-603299	4	Roller-Scalp, Anti	25	302-5	2	Fitting-Grease
7	323-23	2	Screw-HH	26	3256-24	6	Washer-Flat
8	140-9031	1	Flap Rubber	27	323-20	6	Screw-HH
9	139-0919-01	1	Bracket-Flap	28	103-0865	2	Washer-Blade Bolt, Heavy
10	104-8300	13	Nut-HF, NI	29	139-6203	2	Screw-HH
11	3230-10	8	Bolt-CARR	30	140-3064	2	Pin-HOC ASM
12	1-373034	4	Washer	31	138-4452	2	Pad-Stop, Deck
13	109-6982	2	Wireform-Cover	32	133-4543	4	Screw
14	138-7379	1	LH Belt Cover ASM	33	139-0932	1	Bracket-Cover, Belt
14:2	117-3824	1	Plug-Plastic	34	138-7373	1	Cover-Belt, Center
15	138-7362	1	RH Belt Cover ASM	35	3231-11	4	Screw-CARR
15:2	117-3824	1	Plug-Plastic	36	139-6345	1	Spring-Pin
16	138-0269-01	1	LH Caster Arm ASM	37	112-1479	2	Skid-Bumper, Deck
16:1		1	Arm-Caster, LH ●	38	3231-44	4	Screw-CARR
16:1:2		1	Hub ASM ●	39	139-0888	1	Latch ASM
16:1:2:2	69-6470	2	Bushing-Caster	40	3231-27	4	Screw-CARR
17	138-0271-01	1	RH Caster Arm ASM	41	126-4781	1	Step-Deck
17:1		1	Arm-Caster, RH ●	42	3230-3	1	Screw-CARR
17:1:2		1	Hub ASM ●	43	66-0561	2	Screw-Shoulder
17:1:2:2	69-6470	2	Bushing-Caster	44	139-6319-03	1	Guard-LH
18	69-6860	4	Washer-Thrust	45	51-4380	1	Spring-Torsion, LH
19	69-1510	14	Spacer	46	3-6803	2	Washer-Adjusting
20	137-2546-01	2	Fork-Caster	47	139-6317-03	1	Guard-RH
21	92-9727	2	HOC Cap ASM	48	51-4370	1	Spring-Torsion, RH
21:1	92-5581	1	Ring-Rtng, Snap, Int, Flat	49	3296-6	2	Nut-Lock
21:2	92-5583	1	Washer-Cap				

● Not serviced separately

Wheel Assembly No. 137-5529

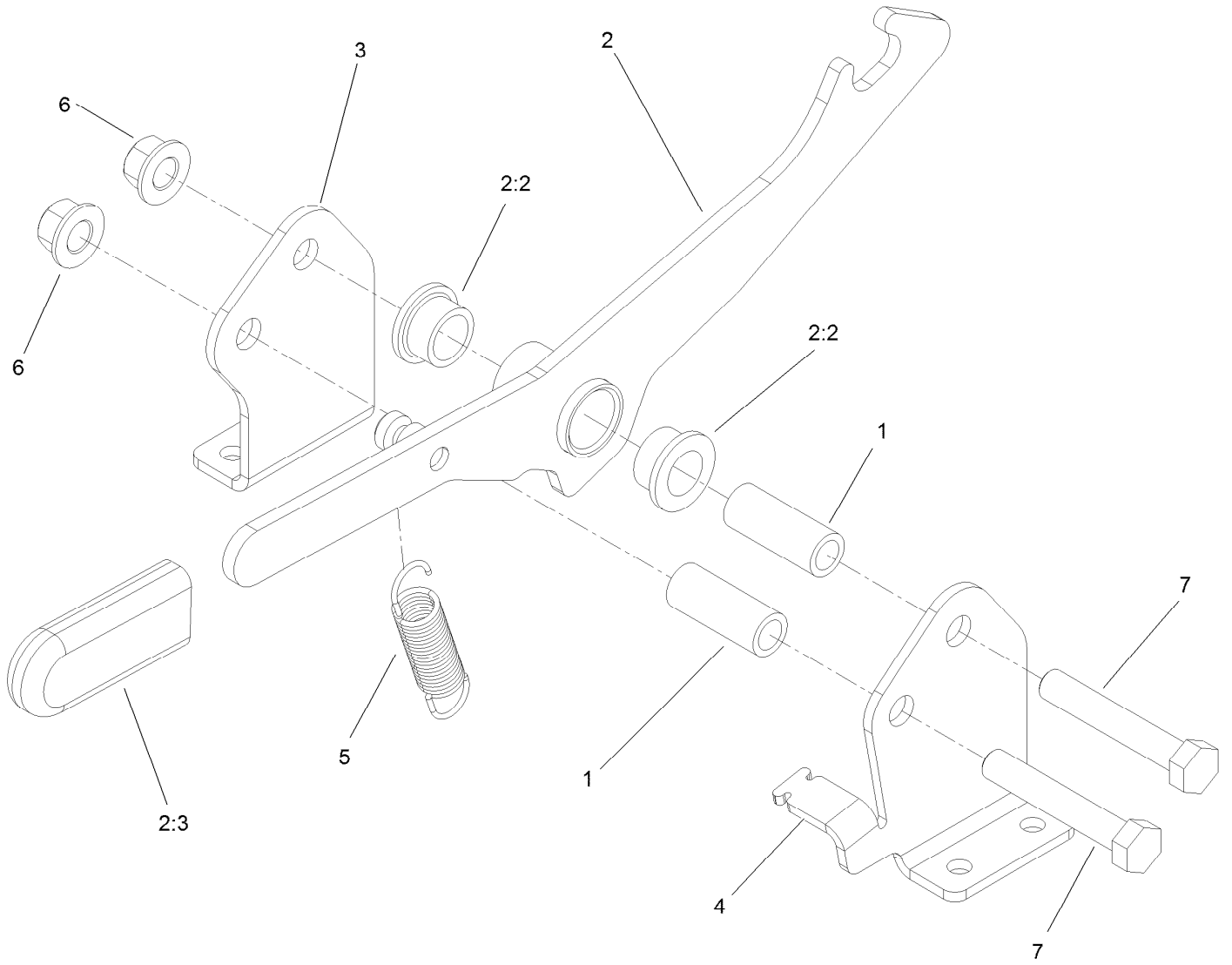


Wheel Assembly No. 137-5529 (continued)

<i>Ref.</i>	<i>Part Number</i>	<i>Qty.</i>	<i>Description</i>
1	136-4424	1	Tire-Pneumatic, Semi
2	93-4241	1	Spacer-Bearing, Inner
3	120-3366	2	Bearing
4	32128-16	4	Nut-HHF

<i>Ref.</i>	<i>Part Number</i>	<i>Qty.</i>	<i>Description</i>
5	93-4242	1	Plate
6	137-5552	2	Rim-Wheel, Half
7	93-5980	1	Hub

Latch Assembly No. 139-0888



Latch Assembly No. 139-0888 (continued)

<i>Ref.</i>	<i>Part Number</i>	<i>Qty.</i>	<i>Description</i>
1	117-0380	2	Spacer
2	138-0283	1	Latch Arm ASM
2:2	93-2877	2	Bushing
2:3	119-1846	1	Grip
3	139-0889	1	Bracket-Latch, Mount (RH)

<i>Ref.</i>	<i>Part Number</i>	<i>Qty.</i>	<i>Description</i>
4	139-0887	1	Bracket-Latch, Mount (LH)
5	130-9645	1	Spring-Extension
6	99-5107	2	Nut-Lock
7	325-12	2	Screw-HH

Notes:

Notes:



Count on it.