



Count on it.

Parts Catalog

**60in Side Discharge Rotary
Mower**

**Groundsmaster® 3200 or 3300 Series
Traction Unit**

Model No. 31970—Serial No. 400000000 and Up



Ordering Replacement Parts

To order replacement parts, please supply the part number, the quantity, and the description of each part desired.

Understanding Reference Numbers

Each identified part in an illustration has a reference number. The reference number for a part also appears in the parts list, along with other information about the part.

This catalog uses two special reference number formats, one to indicate parts in a service assembly and another to indicate the quantity of a given part in an illustration.

Service Assembly Reference Numbers

Parts in service assemblies have reference numbers in the form a:b. The a represents the reference number of the entire service assembly and the b represents a sequential number unique to each part within the service assembly.

For example, a wheel assembly might be identified by reference number 6, the tire by 6:1, the valve by 6:2, and the wheel by 6:3. When you order the assembly identified by reference number 6, you receive all parts identified by reference numbers 6:1, 6:2, and 6:3. However, you may also order any part individually. Reference numbers of this type appear in illustration and in parts lists.

Reference Numbers Indicating Quantity

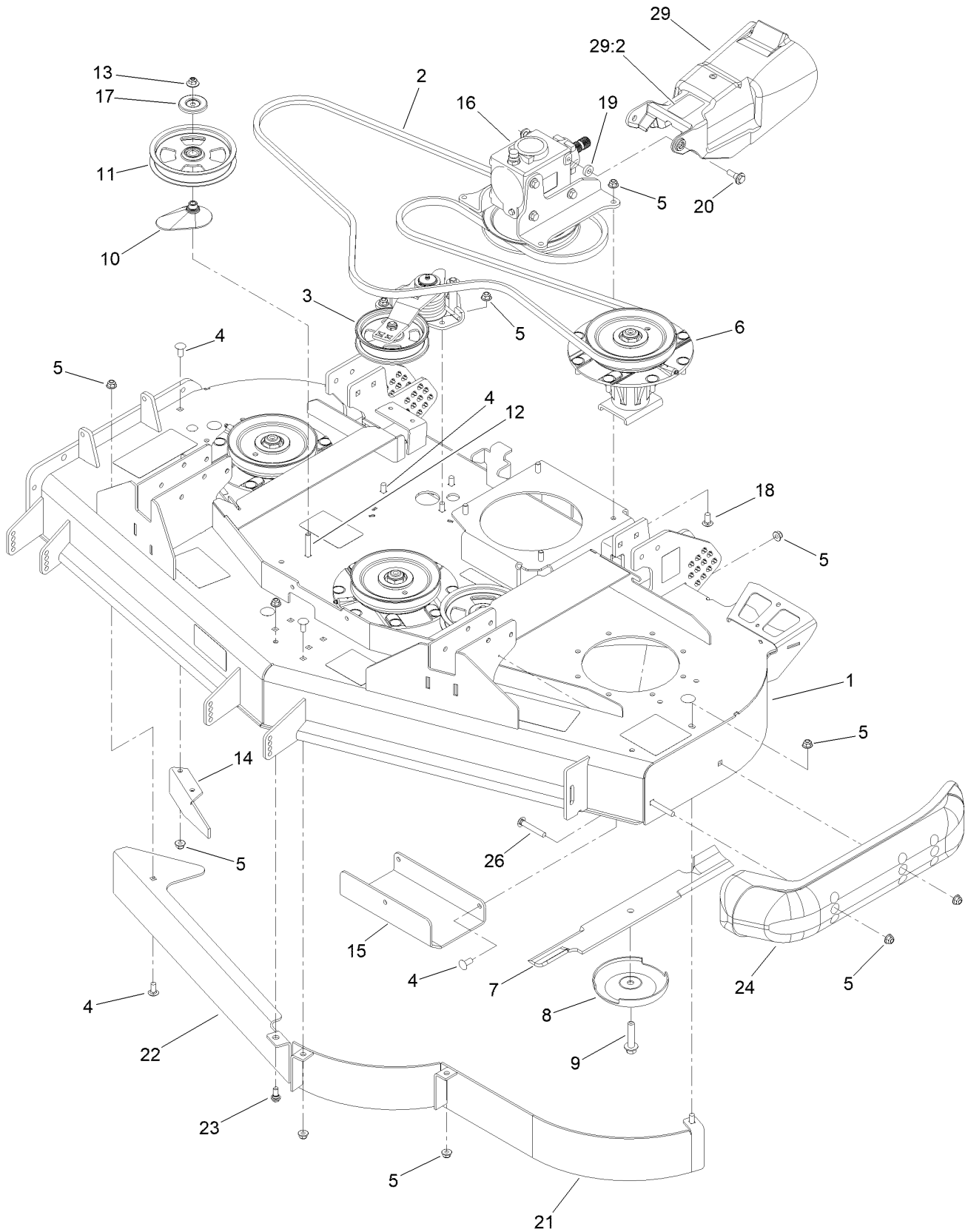
In an illustration, if a reference number indicates more than one part, the reference number has the form nX y. The n represents the quantity of the part, the X is the multiplication symbol, and the y represents the reference number.

For example, in an illustration, the reference number 2X 37 means that two of the parts identified by reference number 37 are indicated.

Contents

Deck Assembly	4
Deck Decal Assembly No. 138-4441SP	6
Tensioner Assembly No. 138-0266	8
Spindle Assembly No. 138-7310	10
Gearbox Assembly	12
Belt Cover, Caster Arm and Wheel Assembly	14
Rubber Deflector Assembly No. 108-2792	16
Latch Assembly No. 139-0888	18
Wheel Assembly No. 137-5529	20

Deck Assembly

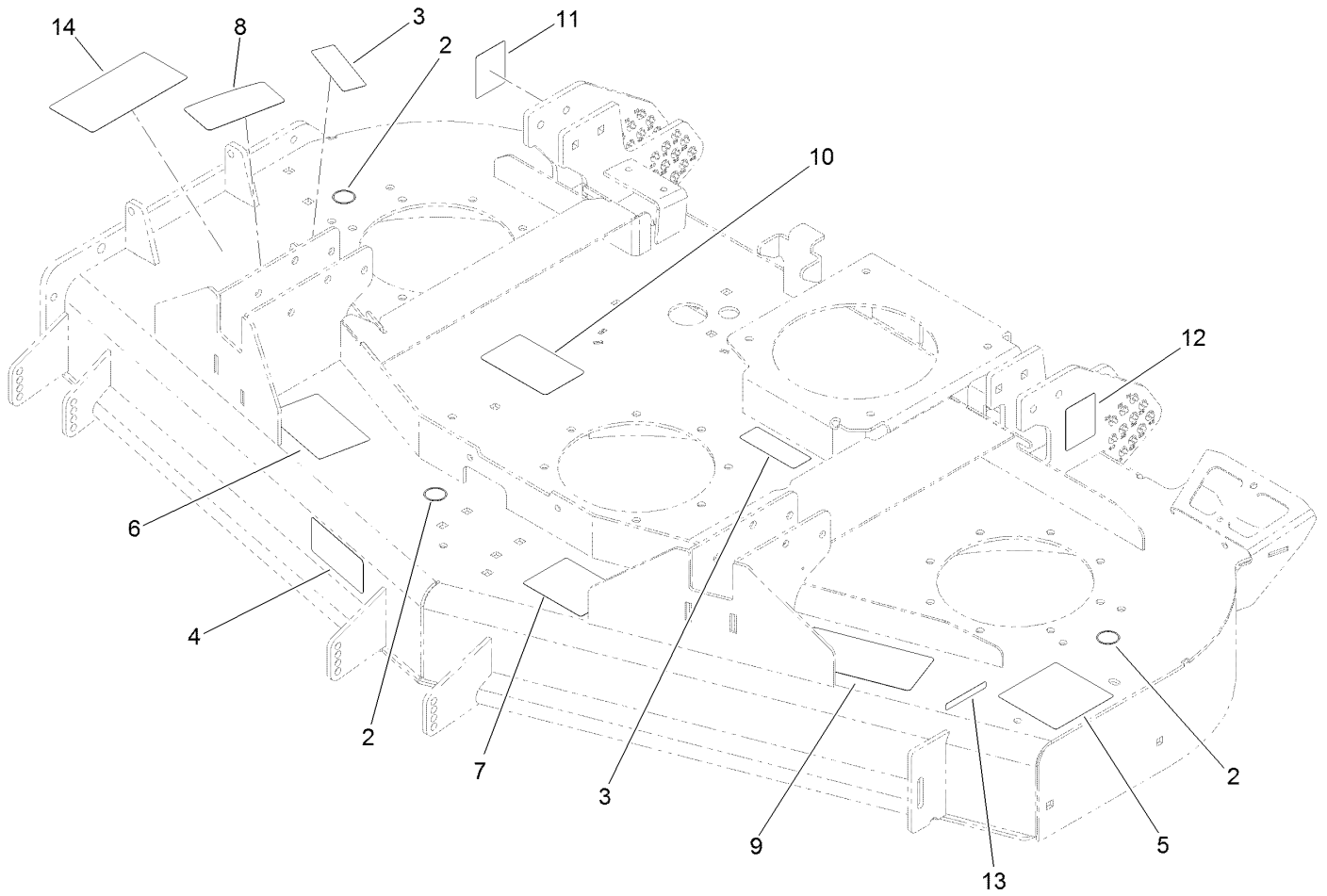


Deck Assembly (continued)

<i>Ref.</i>	<i>Part Number</i>	<i>Qty.</i>	<i>Description</i>	<i>Ref.</i>	<i>Part Number</i>	<i>Qty.</i>	<i>Description</i>
1	138-4441SP	1	Deck W/Decals 60Sd	15	137-5918-01	1	Bracket-Skid
2	139-6342	1	Belt-V	16		1	Gearbox ASM ●
3	138-0266	1	Tensioner ASM	17	126-8043	2	Shield-Dust
4	3231-27	12	Screw-CARR	18	3234-42	4	Screw-HHF
5	104-8301	43	Nut-HF, NI	19	5-0652	2	Spacer
6	138-7310	3	Spindle ASM	20	109-9840	2	Screw-Shoulder, HHF
7	110-4702-03	3	Blade-Rotary, High Flow (20.5)	21	138-7322-01	1	Front-Baffle
8	72-9361	3	Cup-Scalp, Anti	22	138-6051-01	1	Plate-Baffle
9	92-5816	3	Bolt-Blade	23	94-7582	1	Bolt-Shoulder
10	109-2872	2	Spacer-Pulley	24	112-1479	1	Skid-Bumper, Deck
11	132-9424	2	Pulley-Idler, Flat	26	3231-44	2	Screw-CARR
12	3231-40	2	Bolt-CARR	29	139-6301	1	PTO Guard W/Decals
13	109-6658	2	Nut-Flange, NI	29:2	139-6303	1	Decal-Danger, Entanglement
14	106-3216-01	1	Baffle-Discharge				

● Not serviced separately

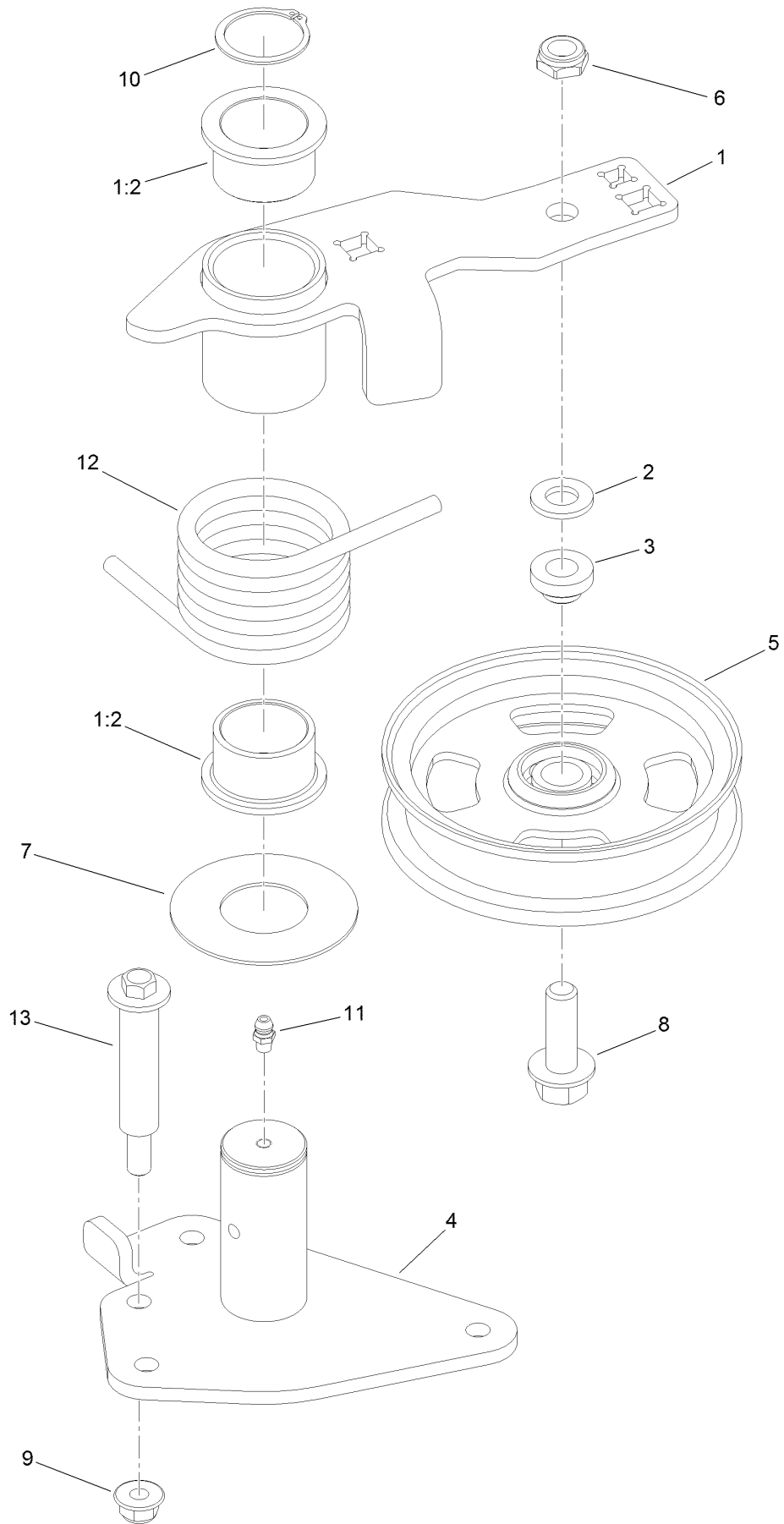
Deck Decal Assembly No. 138-4441SP



Deck Decal Assembly No. 138-4441SP (continued)

<i>Ref.</i>	<i>Part Number</i>	<i>Qty.</i>	<i>Description</i>	<i>Ref.</i>	<i>Part Number</i>	<i>Qty.</i>	<i>Description</i>
2	58-6520	3	Decal-Grease	9	137-5949	1	Decal-HOC
3	117-4979	3	Decal-Warning	10	138-7359	1	Decal-Routing, Belt
4	93-7818	1	Decal-Torque, Blade Bolt	11	137-5946	1	Decal-HOC, RH
5	120-6604	1	Decal-Danger	12	137-5945	1	Decal-HOC, LH
6	108-1990	1	Decal	13	133-8061	1	Decal-Warning
7	127-0326	1	Decal-Scalp, Anti	14	140-3073	1	Decal-Danger, CE
8	131-1180	1	Decal-Adjustment, Baffle				

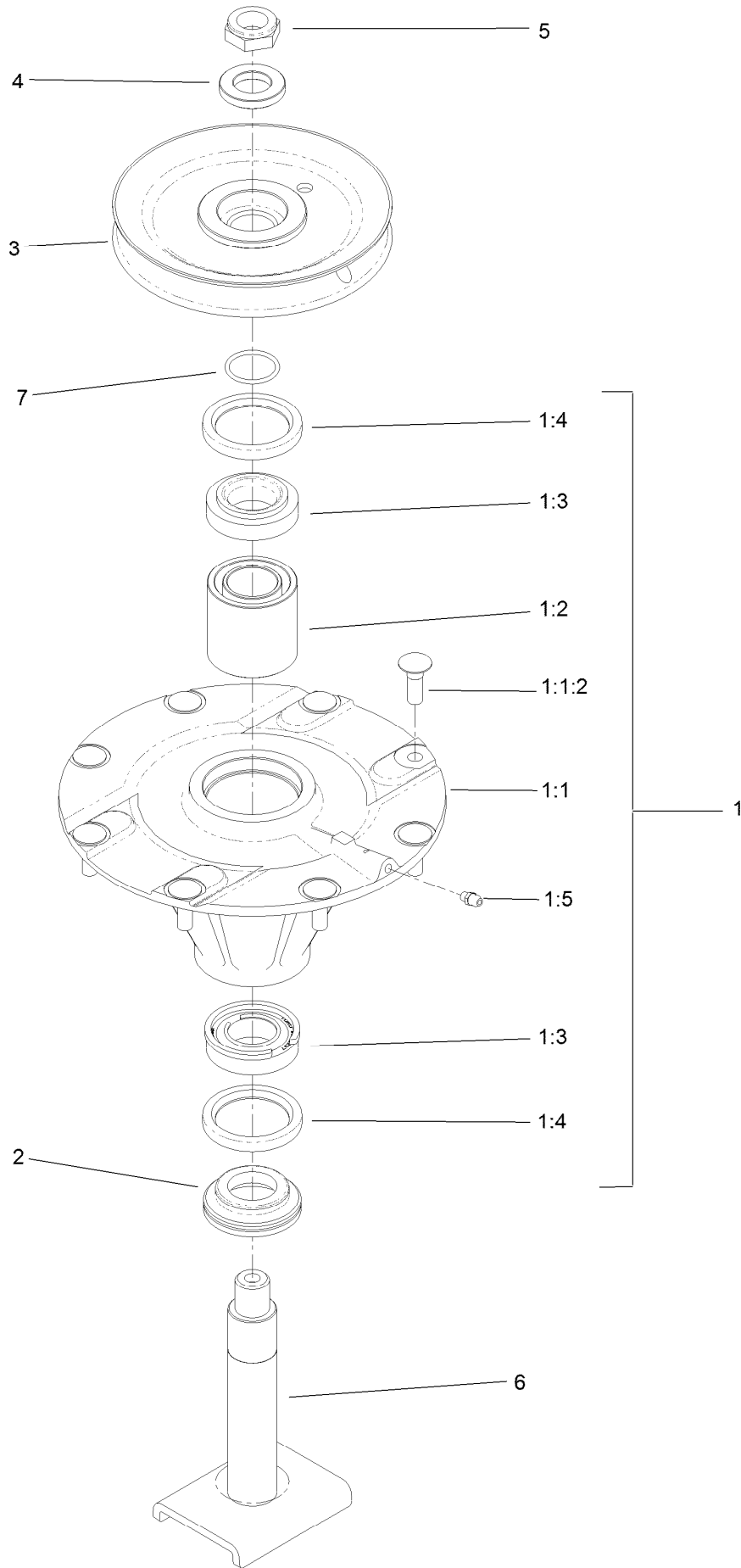
Tensioner Assembly No. 138-0266



Tensioner Assembly No. 138-0266 (continued)

<i>Ref.</i>	<i>Part Number</i>	<i>Qty.</i>	<i>Description</i>	<i>Ref.</i>	<i>Part Number</i>	<i>Qty.</i>	<i>Description</i>
1	138-0257	1	High Idler Arm ASM	7	108-1926	1	Washer
1:2	93-4510	2	Bushing-Caster	8	100-6116	1	Screw-HHF
2	106-9888	1	Washer-Flat	9	104-8301	1	Nut-HF, NI
3	108-1924	1	Spacer-Idler	10	32120-84	1	Ring-Snap, External
4	139-0903	1	Pivot-Idler	11	302-5	1	Fitting-Grease
5	136-5405	1	Pulley-Idler, Flat	12	112-7395	1	Spring-Torsion
6	3296-45	1	Nut-Hex	13	112-3977	1	Bolt-Shoulder

Spindle Assembly No. 138-7310

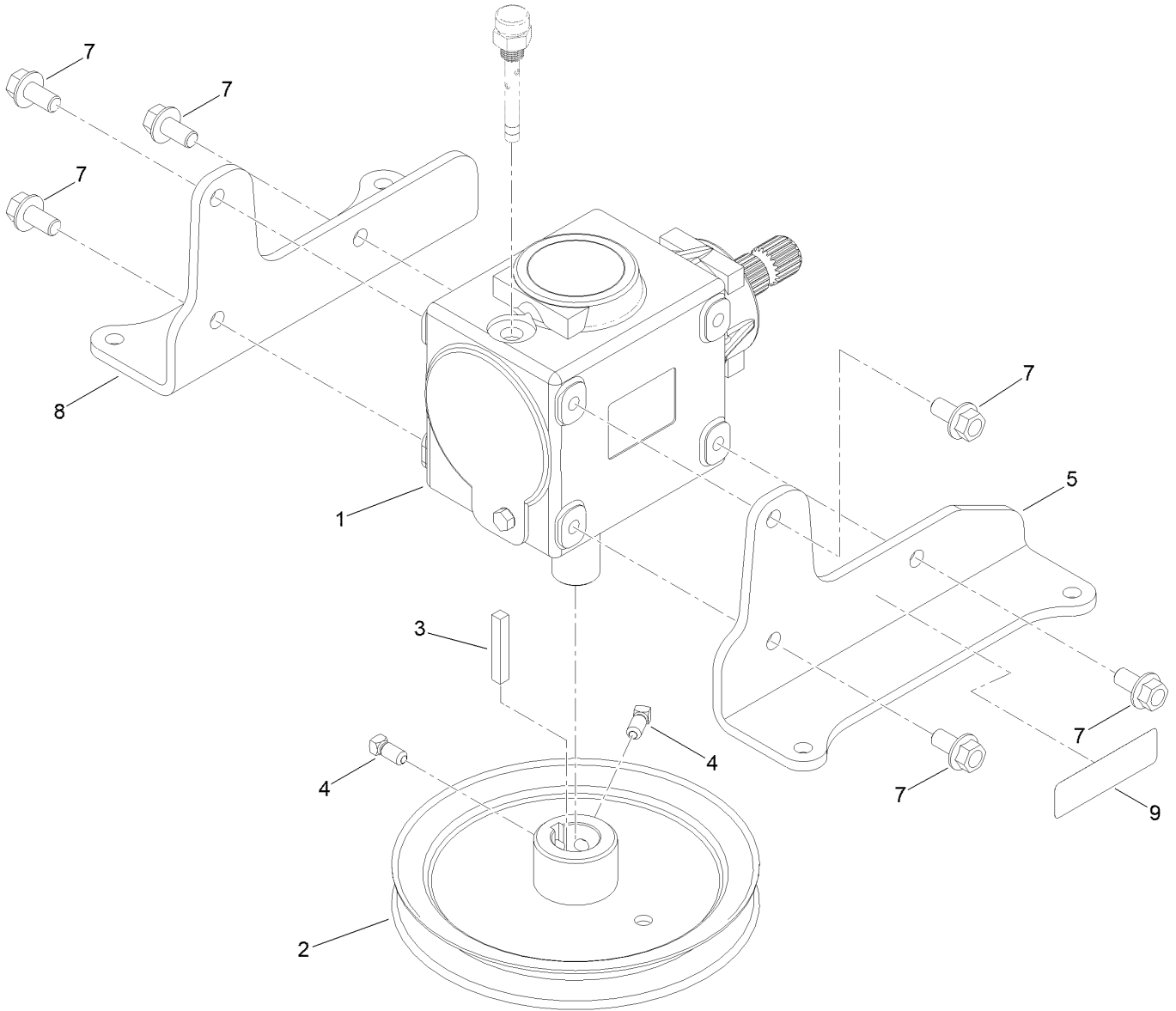


Spindle Assembly No. 138-7310 (continued)

<i>Ref.</i>	<i>Part Number</i>	<i>Qty.</i>	<i>Description</i>	<i>Ref.</i>	<i>Part Number</i>	<i>Qty.</i>	<i>Description</i>
1	139-6338	1	Spindle Housing ASM	2	138-6416	1	Spacer-Spindle, Shaft
1:1		1	Spindle ASM ●	3	139-6339	1	Pulley
1:1:2	114-8195	8	Bolt-Neck, Ribbed	4	120-5576	1	Washer-Hardened
1:2	108-1954	1	Bearing Spacer Set	5	3296-60	1	Nut-Lock, NI
1:3	110-8297	1	Bearing ASM	6	139-1042	1	Spindle-Shaft
1:4	253-154	2	Seal-Oil	7	106-7159	1	O-Ring
1:5	302-5	1	Fitting-Grease				

● Not serviced separately

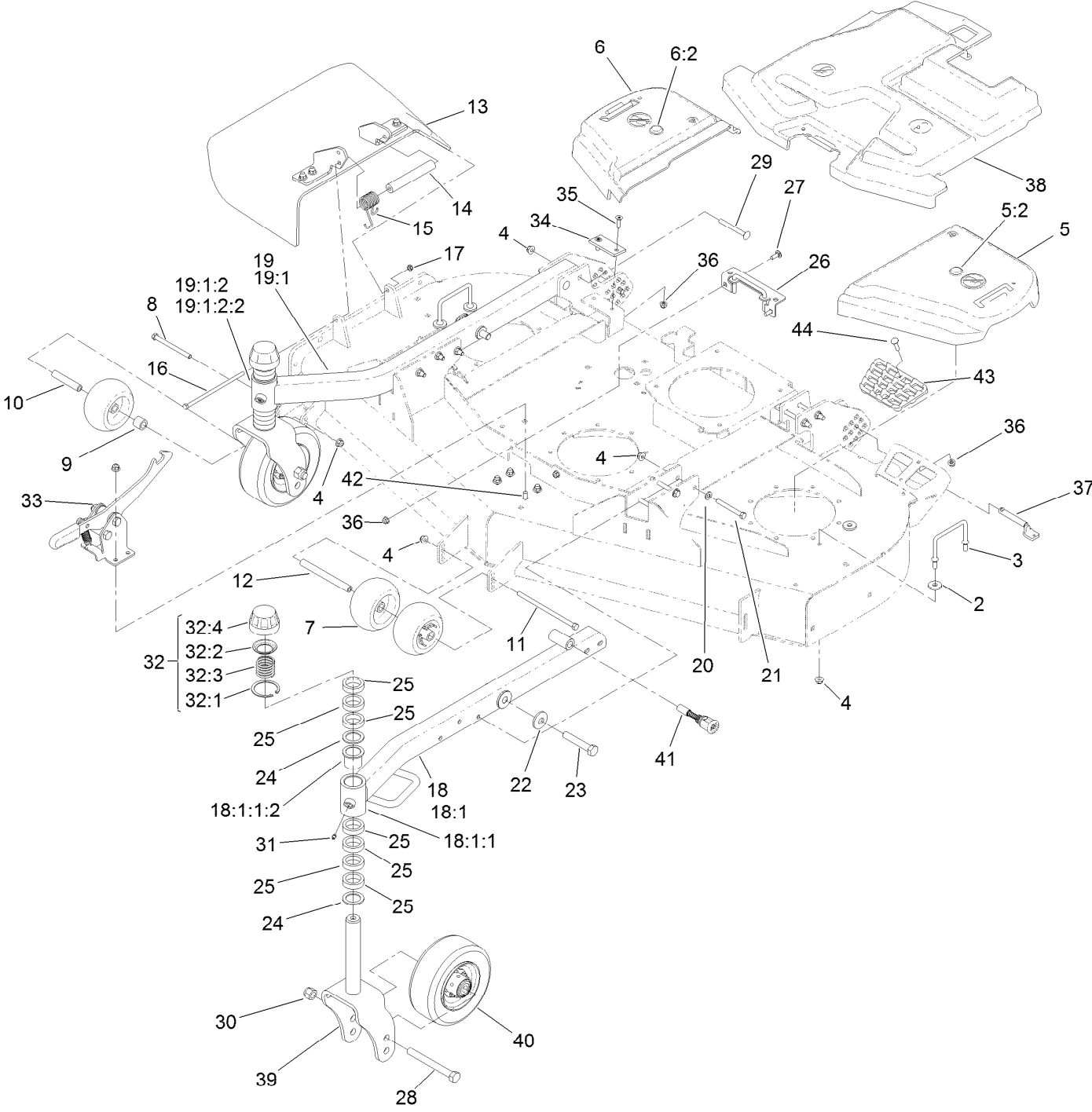
Gearbox Assembly



Gearbox Assembly (continued)

<i>Ref.</i>	<i>Part Number</i>	<i>Qty.</i>	<i>Description</i>	<i>Ref.</i>	<i>Part Number</i>	<i>Qty.</i>	<i>Description</i>
1	145-5990	1	Gearbox	5	144-0494-03	1	Bracket-Gearbox, LH
2	138-0263	1	Pulley	7	139-6300	6	Screw-Hfl
3	94-2425	1	Key-Square	8	144-0495-03	1	Bracket-Gearbox, RH
4	1-803022	2	Screw-Set	9	93-6697	1	Decal-Lube

Belt Cover, Caster Arm and Wheel Assembly



Belt Cover, Caster Arm and Wheel Assembly (continued)

<i>Ref.</i>	<i>Part Number</i>	<i>Qty.</i>	<i>Description</i>	<i>Ref.</i>	<i>Part Number</i>	<i>Qty.</i>	<i>Description</i>
2	1-373034	4	Washer	22	103-0865	2	Washer-Blade Bolt, Heavy
3	109-6982	2	Wireform-Cover	23	139-6203	2	Screw-HH
4	104-8301	20	Nut-HF, NI	24	69-6860	4	Washer-Thrust
5	138-7379	1	LH Belt Cover ASM	25	69-1510	14	Spacer
5:2	117-3824	1	Plug-Plastic	26	139-0932	1	Bracket-Cover, Belt
6	138-7362	1	RH Belt Cover ASM	27	3230-10	2	Bolt-CARR
6:2	117-3824	1	Plug-Plastic	28	327-24	2	Screw-HH
7	1-603299	3	Roller-Scalp, Anti	29	3231-11	4	Screw-CARR
8	323-23	1	Screw-HH	30	3296-53	2	Nut-Lock, NI
9	98-7913	1	Tube-Spacer	31	302-5	2	Fitting-Grease
10	98-7912	1	Tube-Spanner	32	92-9727	2	HOC Cap ASM
11	108-5388	1	Screw-HH	32:1	92-5581	1	Ring-Rtng, Snap, Int, Flat
12	98-5967	1	Spacer-Wheel	32:2	92-5583	1	Washer-Cap
13	108-2792	1	Rubber Deflector ASM	32:3	92-9726	1	Spring-Compression
14	105-4622	1	Spacer	32:4	92-8861	1	Cap-HOC
15	108-4052	1	Spring-Torsion	33	139-0888	1	Latch ASM
16	322-50	1	Screw-HH	34	138-4452	2	Pad-Stop, Deck
17	3296-47	1	Nut-Lock, NI	35	133-4543	4	Screw
18	137-5912-01	1	Arm-Caster, LH	36	104-8300	7	Nut-HF, NI
18:1		1	Castor Arm LH ASM ●	37	140-3064	2	Pin-HOC ASM
18:1:1		1	Hub ASM ●	38	138-7373	1	Cover-Belt, Center
18:1:1:2	69-6470	2	Bushing-Caster	39	137-2546-01	2	Fork-Caster
19	138-0279-01	1	Arm-Caster, RH	40	137-5529	2	Wheel ASM
19:1		1	Castor Arm RH ASM ●	41	139-6345	1	Spring-Pin
19:1:2		1	Hub ASM ●	42	3231-27	4	Screw-CARR
19:1:2:2	69-6470	2	Bushing-Caster	43	126-4781	1	Step-Deck
20	3256-24	6	Washer-Flat	44	3230-3	1	Screw-CARR
21	323-20	6	Screw-HH				

● Not serviced separately

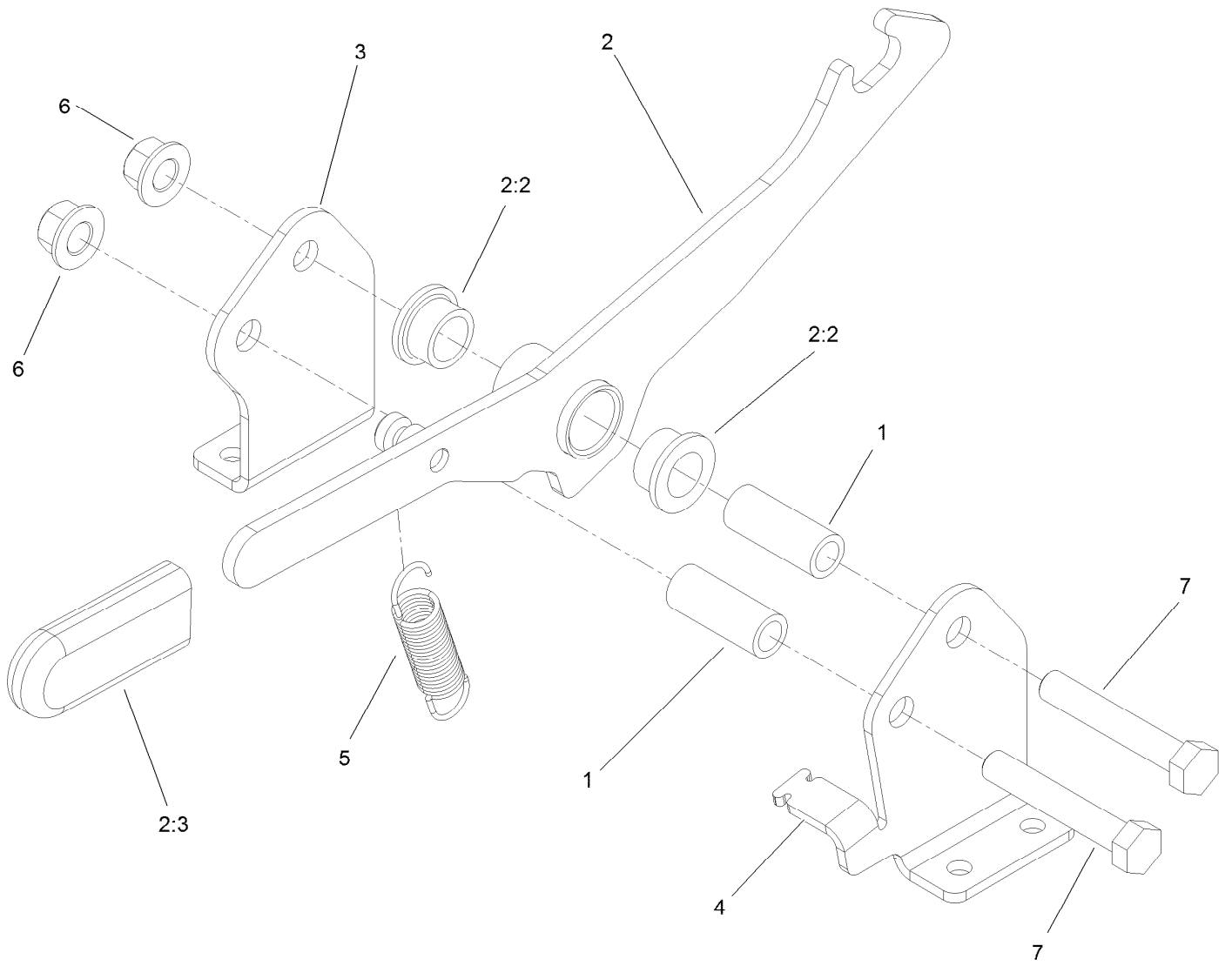
Rubber Deflector Assembly No. 108-2792



Rubber Deflector Assembly No. 108-2792 (continued)

<i>Ref.</i>	<i>Part Number</i>	<i>Qty.</i>	<i>Description</i>	<i>Ref.</i>	<i>Part Number</i>	<i>Qty.</i>	<i>Description</i>
1	3231-4	4	Screw-CARR	5	108-4059-01	1	Plate-Hinge, Rear
2	106-3246-01	1	Deflector	6	106-3253-01	1	Plate-Hinge, Front
3	106-3248-03	1	Strap-Discharge	7	104-8301	4	Nut-HF, NI
4	108-5029	1	Deflector-Rubber				

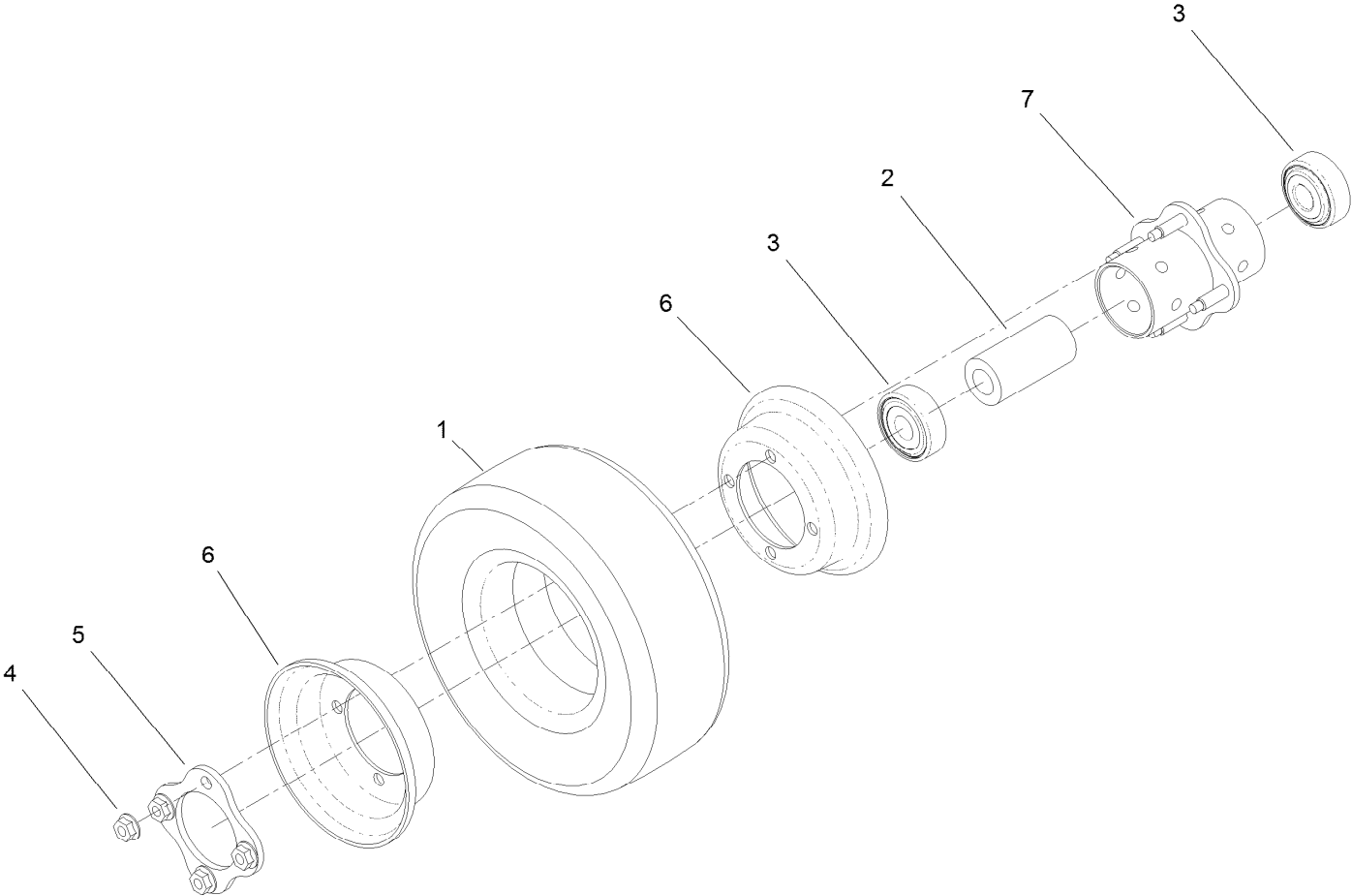
Latch Assembly No. 139-0888



Latch Assembly No. 139-0888 (continued)

<i>Ref.</i>	<i>Part Number</i>	<i>Qty.</i>	<i>Description</i>	<i>Ref.</i>	<i>Part Number</i>	<i>Qty.</i>	<i>Description</i>
1	117-0380	2	Spacer	4	139-0887	1	Bracket-Latch, Mount (LH)
2	138-0283	1	Latch Arm ASM	5	130-9645	1	Spring-Extension
2:2	93-2877	2	Bushing	6	99-5107	2	Nut-Lock
2:3	119-1846	1	Grip	7	325-12	2	Screw-HH
3	139-0889	1	Bracket-Latch, Mount (RH)				

Wheel Assembly No. 137-5529



Wheel Assembly No. 137-5529 (continued)

<i>Ref.</i>	<i>Part Number</i>	<i>Qty.</i>	<i>Description</i>
1	136-4424	1	Tire-Pneumatic, Semi
2	93-4241	1	Spacer-Bearing, Inner
3	120-3366	2	Bearing
4	32128-16	4	Nut-HHF

<i>Ref.</i>	<i>Part Number</i>	<i>Qty.</i>	<i>Description</i>
5	93-4242	1	Plate
6	137-5552	2	Rim-Wheel, Half
7	93-5980	1	Hub

Notes:

Notes:



Count on it.