



SOFT SIDE BAGGER

for 32", 36" & 48" MID-SIZE MOWERS

Model No. 30198

**INSTALLATION
INSTRUCTIONS**

Loose Parts

Note: Use the chart below to identify parts used for assembly.

DESCRIPTION	QTY.	USE
Back plate	1	Assemble back plate and support
Support	1	
Bolt 1/4-20 x 5/8" (16 mm)	4	
Locknut 1/4-20	4	
Washer	4	
Bag and pan	1	Assemble bag and pan to frame
Catcher frame	1	
Handle	2	
Bolt 1/4-20 x 1" (25 mm)	4	
Washer 1/4" (6 mm)	4	
Locknut 1/4-20	4	
Latch	1	Mount back plate to mower
Bolt 3/8-16 x 1" (25 mm)	1	
Locknut 3/8-16	1	

Assemble Bagger

1. Raise deflector and align back plate with mower discharge opening.

Note: Refer to figure 2 for selecting correct bolt positioning for your model.

2. Hold support in position against back plate and secure with (4) 1/4-20 x 5/8" (16 mm) bolts, washers and (4) 1/4-20 locknuts. Install bolts and washers from the front of back plate (Fig. 1).

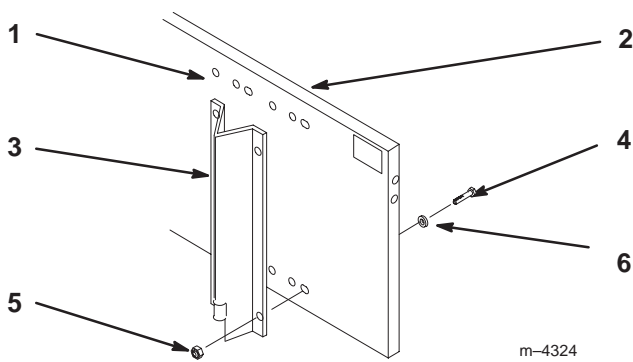
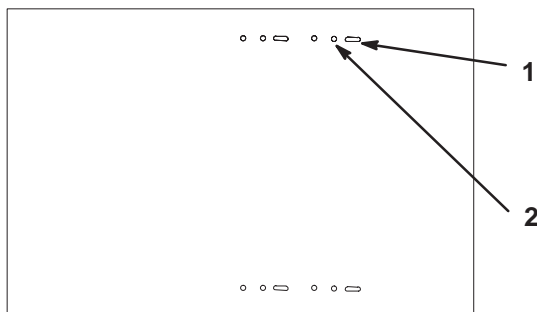


Figure 1

- | | |
|-----------------|-------------------------------|
| 1. Select holes | 4. Bolt 1/4-20 x 5/8" (16 mm) |
| 2. Back plate | 5. Locknut 1/4-20 |
| 3. Support | 6. Washer |

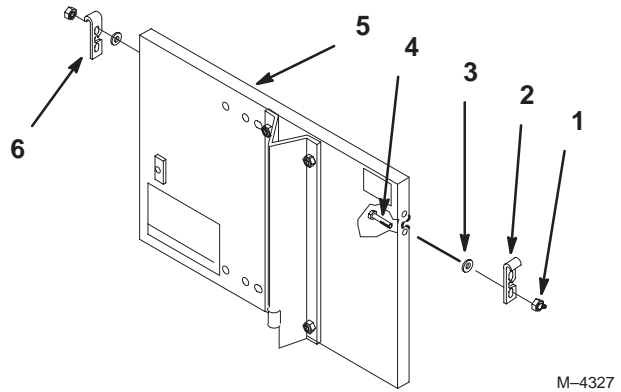


M-4328

Figure 2

- | | |
|-------------------|-------------------|
| 1. 48" Fixed Deck | 2. 36" Fixed Deck |
|-------------------|-------------------|

3. Install latches to both sides of back plate. Do not completely tighten. Latches should be able to move up and down (Fig. 3).



M-4327

Figure 3

- | | |
|--------------------|-------------------|
| 1. Nut | 4. Bolt |
| 2. Righthand Latch | 5. Back Plate |
| 3. Spring Washer | 6. Lefthand Latch |

Assemble Bag and Frame

1. Slide upper curved portion of bagger frame into bag and long straight rod down toward pan. Snap “J” strips over frame rods (Fig. 4).

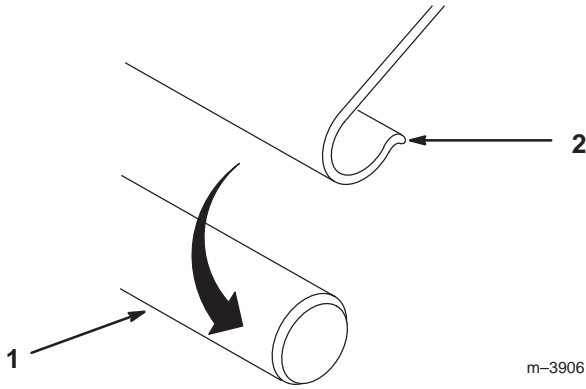


Figure 4

1. Rod
2. “J” strip

2. Arrange bag around frame and secure with (2) handles (Fig.5).
3. Locate handles over slots in frame. Push (2) 1/4-20 x 1” (25 mm) bolts, through fabric from the outside, and secure with (2) 1/4” (6 mm) washers and (2) 1/4-20 locknuts (Fig.5).

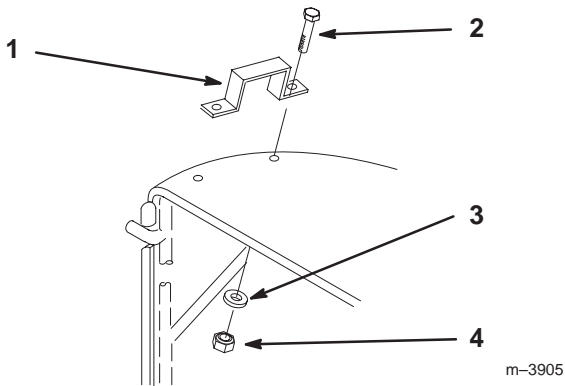


Figure 5

1. Handle
2. Bolt 1/4-20 x 1” (25 mm)
3. Washer 1/4” (6 mm)
4. Locknut 1/4-20

Mount Catcher to Mower

1. Tilt deflector up and slide support rod into tube at rear of mower discharge opening (Fig. 6).
2. Hold back plate against discharge opening and secure to mower with latch, 3/8-16 x 1” (25 mm) bolt and 3/8-16 locknut (Fig. 6).

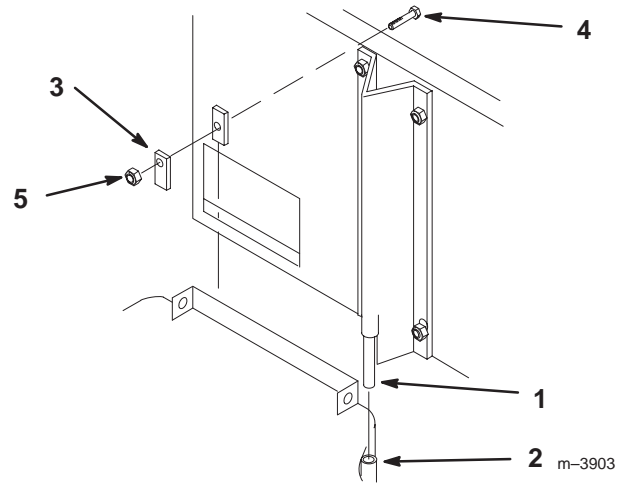


Figure 6

1. Support rod
2. Tube
3. Latch
4. Bolt 3/8-16 x 1” (25 mm)
5. Locknut 3/8-16

3. Insert lower pins of bagger frame into holes in back plate. Lift latches and slide frame side pins into latches. Lower latches to secure (Fig. 7).

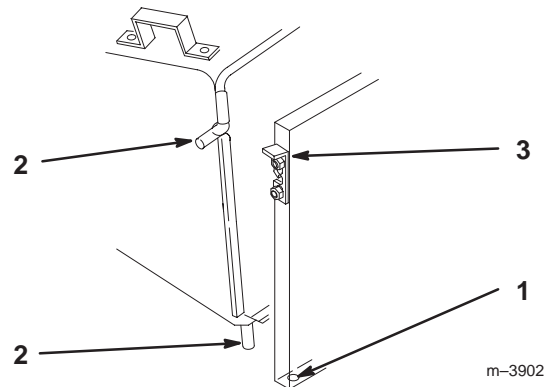


Figure 7

1. Back plate holes
2. Frame pin
3. Latch

