



**Count on it.**

**Parts Catalog**

**Z Master® Professional 7500-D  
Series Riding Mower**

**With 96in TURBO FORCE® Rear Discharge  
Mower**

Model No. 72098—Serial No. 412442127 and Up



# Ordering Replacement Parts

To order replacement parts, please supply the part number, the quantity, and the description of each part desired.

## Understanding Reference Numbers

Each identified part in an illustration has a reference number. The reference number for a part also appears in the parts list, along with other information about the part.

This catalog uses two special reference number formats, one to indicate parts in a service assembly and another to indicate the quantity of a given part in an illustration.

## Service Assembly Reference Numbers

Parts in service assemblies have reference numbers in the form a:b. The a represents the reference number of the entire service assembly and the b represents a sequential number unique to each part within the service assembly.

For example, a wheel assembly might be identified by reference number 6, the tire by 6:1, the valve by 6:2, and the wheel by 6:3. When you order the assembly identified by reference number 6, you receive all parts identified by reference numbers 6:1, 6:2, and 6:3. However, you may also order any part individually. Reference numbers of this type appear in illustration and in parts lists.

## Reference Numbers Indicating Quantity

In an illustration, if a reference number indicates more than one part, the reference number has the form nX y. The n represents the quantity of the part, the X is the multiplication symbol, and the y represents the reference number.

For example, in an illustration, the reference number 2X 37 means that two of the parts identified by reference number 37 are indicated.

# Contents

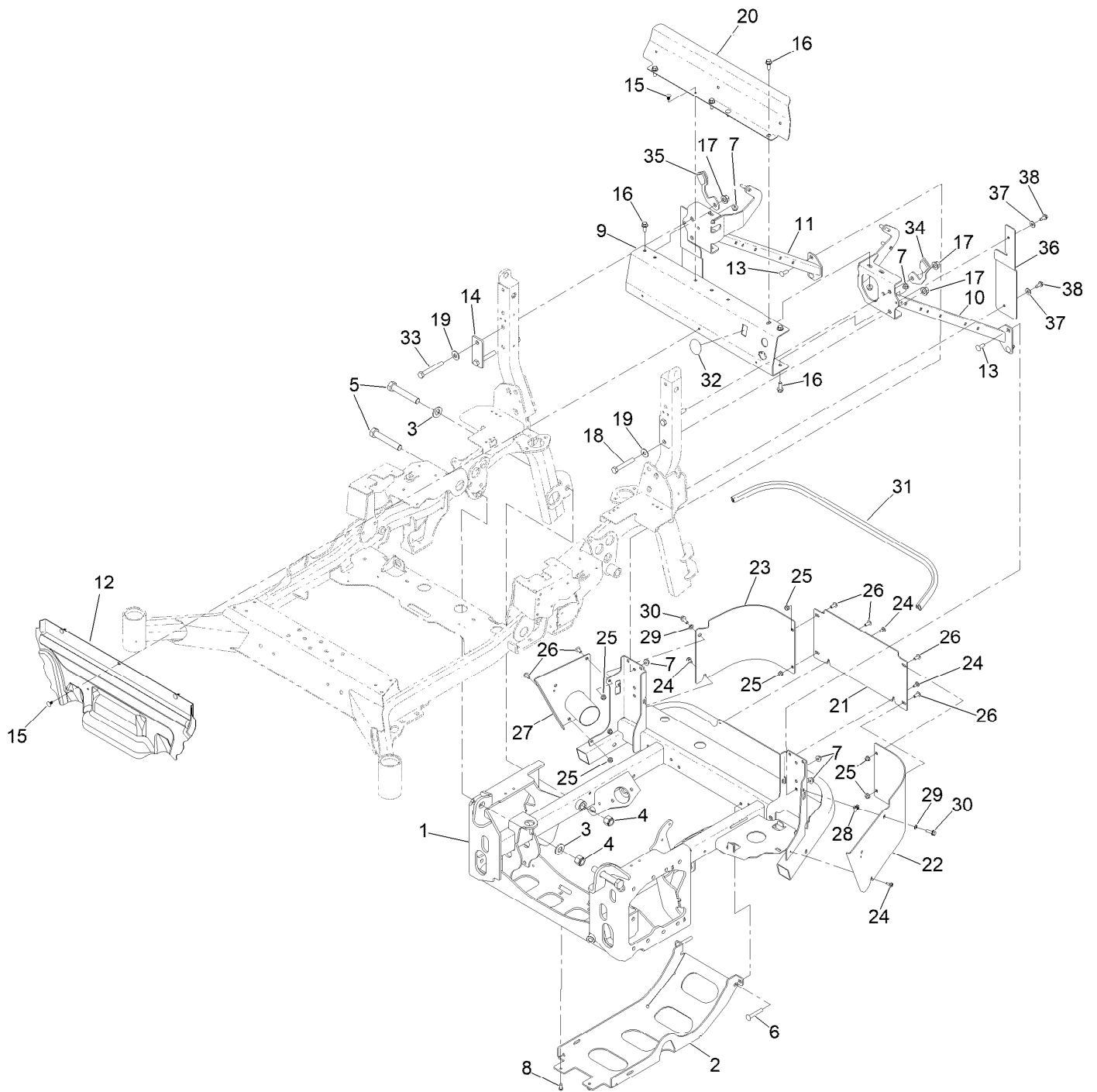
Power Frame Assembly	6
Front Frame Assembly	8
Roll-Over Protection System Assembly No. 142-9749	10
RH Mud Flap Assembly No. 135-4933	12
LH Mud Flap Assembly No. 135-4943	14
Caster Wheel Assembly	16
Transmission Assembly	18
Charge Pump Housing Assembly Transmission Assembly No. 131-5510	20
Transmission Assembly (cont.) Center Section Assembly	22
Transmission Assembly (cont.) Gear Case and Clutch Assembly	24
Hydraulic Gear Pump Assembly No. 112-9542	26
Drive Wheel Assembly	28
Parking Brake Assembly	30
Fuel System Assembly	32
RH Fuel Tank Assembly No. 142-8638	34
LH Fuel Tank Assembly 142-8637	36
Seat Mount Assembly	38
Seat Assembly No. 140-8003	40
Motion Control Assembly	42
Hood and Covers Assembly	44
Hood Assembly No. 142-6063	46
Hood Intake Assembly No. 142-4742	48
Electrical Assembly	50
Wire Harness Assembly No. 142-7958	52
Deck Lift Assembly	54
Engine Assembly	56
HDAC Assembly No. 142-3554	58
Hydraulic Drive Assembly	60
Lifand Hold Valve Assembly No. 142-4922	62
Hydraulic Reservoir Assembly No. 142-5034	64
Cooling Assembly	66
Cooling Assembly No. 121-3330	68
Deck, Discharge Tunnel and Mulch Kit Assembly	70
Center Deck and Drive Assembly	72
Center Deck Hose and Switch Assembly	74
Center Deck Fold Assembly	76
Center Deck Spindle, Baffle and Roller Assembly	78
Spindle Assembly No. 137-9780	80
Driveshaft Assembly No. 110-3575	82
Idler Arm Assembly No. 126-2585	84
Gear Box and Mount Assembly	86
Gearbox Assembly No. 130-8659	88
Idler Assembly No. 126-9435	90
Idler Assembly No. 126-9438	92
Center Deck Decal Assembly No. 140-0974	94
RH Wing Deck Assembly	96
RH Wing Deck Decal Assembly No. 142-5477	98
Caster Fork and Wheel Assembly	100
LH Wing Deck Assembly	102
LH Wing Deck W/Decals Assembly No. 142-5475	104
Rear Caster Wheel Assembly	106
Discharge Tunnel Assembly	108
Mulch Kit Assembly No. 135-2449	110
Cylinder Block Assembly	112

## Contents (continued)

Gear Housing Assembly .....	114
Flywheel Housing and Oil Sump Assembly .....	116
Cylinder Head and Cover Assembly .....	118
Suction Manifold Assembly .....	120
Exhaust Manifold Assembly .....	122
Diesel Particulate Filter Assembly .....	124
Camshaft and Driving Gear Assembly .....	126
Crankshaft and Piston Assembly .....	128
Oil Pump Assembly .....	130
Cooling Water System Assembly .....	132
Fuel Supply Pump Assembly .....	134
Fuel Injection Valve Assembly .....	136
Fuel Line Assembly .....	138
Starting Motor Assembly .....	140
Generator Assembly .....	142
Electronic Control Unit Assembly .....	144
Electric Parts Assembly .....	146
Fuel Pump Assembly .....	148
Gasket Set .....	150
Attachments and Accessories .....	152



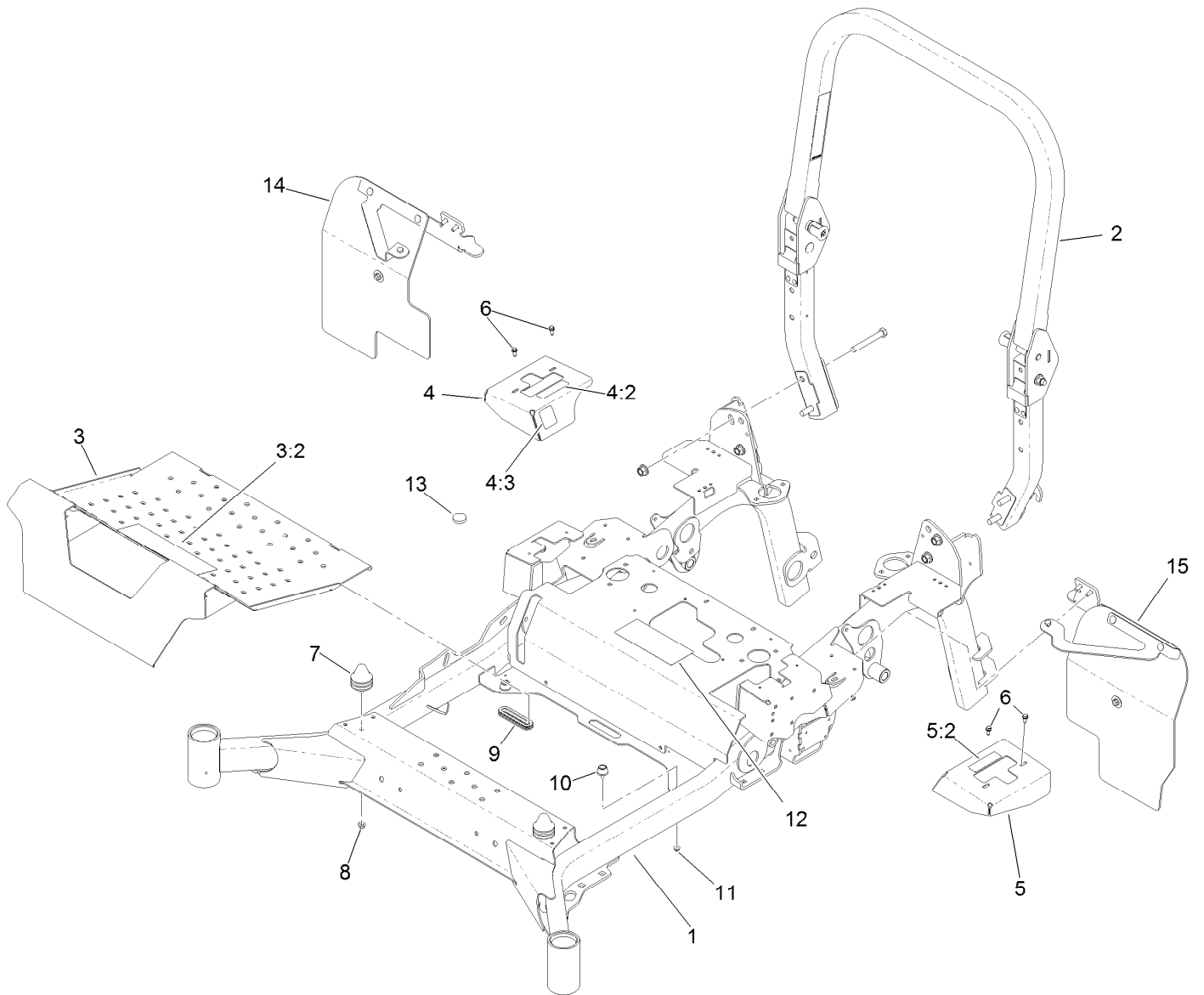
# Power Frame Assembly



## Power Frame Assembly (continued)

<i>Ref.</i>	<i>Part Number</i>	<i>Qty.</i>	<i>Description</i>	<i>Ref.</i>	<i>Part Number</i>	<i>Qty.</i>	<i>Description</i>
1	126-5929-03	1	Frame-Power	20	126-6557-03	1	Shield-Air
2	126-5922-03	1	Plate-Skid	21	126-8954-03	1	Plate-Bumper, Center
3	103-2802	4	Washer	22	126-8952-03	1	Plate-Bumper, LH
4	3296-51	4	Nut-Lock, NI	23	126-8953-03	1	Plate-Bumper, RH
5	328-8	4	Screw-HH	24	120-7950	4	Screw-Torx
6	3231-44	2	Screw-CARR	25	104-8300	7	Nut-HF, NI
7	104-8301	13	Nut-HF, NI	26	126-6268	7	Screw-TTH
8	613381	2	Screw-Bh-Thd Roll	27	135-0880	1	Plate-Exhaust
9	126-8567-03	1	Channel-Cross	28	112-3306	2	Nut
10	142-9442-03	1	Wldmt-ROPS LH Brace	29	3290-475	2	Washer-Belleville
11	142-9443-03	1	Wldmt-ROPS RH Brace	30	3234-29	2	Screw-HHF
12	126-7458	1	Panel-Deflector, Heat	31	126-6845	1	Seal-Bulb
13	3231-22	4	Screw-CARR	32	135-3728	1	Decal-Cover
14	135-0412-03	2	Plate-Spacer	33	325-35	2	Screw-HH
15	117-2382	5	Plug-Plastic	34	142-6024-03	1	Stop-ROPS [black]
16	131-2220	7	Screw-HHF	35	142-6025-03	1	Stop-ROPS [black]
17	99-5107	4	Nut-Lock	36	142-3197	2	Sheet-ROPS Airdam
18	112-7264	2	Screw-HH	37	3256-3	4	Washer-Flat
19	109-9505	4	Washer-Spring	38	32144-70	4	Screw-HWHTF

# Front Frame Assembly

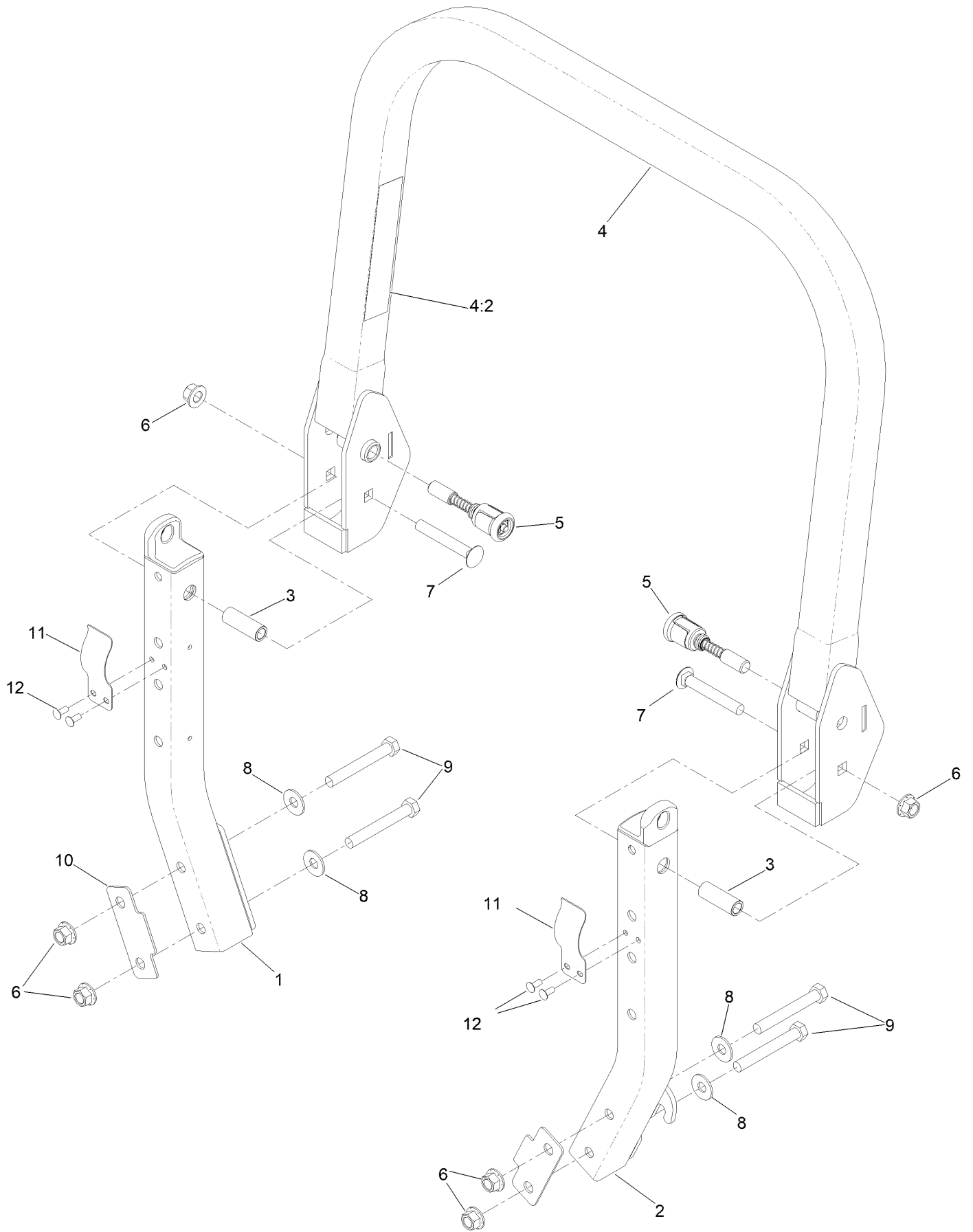




## Front Frame Assembly (continued)

<i>Ref.</i>	<i>Part Number</i>	<i>Qty.</i>	<i>Description</i>	<i>Ref.</i>	<i>Part Number</i>	<i>Qty.</i>	<i>Description</i>
1	142-6829	1	Mainframe ASM, Wd	7	126-5491	2	Isolator
2	142-9749	1	ASM, ROPS-7500D Diesel	8	104-8300	2	Nut-HF, NI
3	126-9066	1	Pan-Floor	9	126-7065	1	Grommet-Rubber
3:2	126-8383	1	Decal-Danger	10	109-2365	2	Bumper-Rubber
4	126-1831	1	Cover-Motion Control, RH	11	104-7201	2	Nut-HF, NI
4:2	99-8936	1	Decal-Control, Motion	12	126-9947	1	Decal-Service Aid
4:3	116-5988	1	Decal-Park Brake, CE	13	109-9233	1	Bumper-Push-In, Rubber
5	126-1821	1	Cover-Motion Control, LH	14	135-4933	1	ASM, RH Mud Flap
5:2	99-8936	1	Decal-Control, Motion	15	135-4943	1	ASM, LH Mud Flap
6	32144-10	4	Screw-HWH				

# Roll-Over Protection System Assembly No. 142-9749

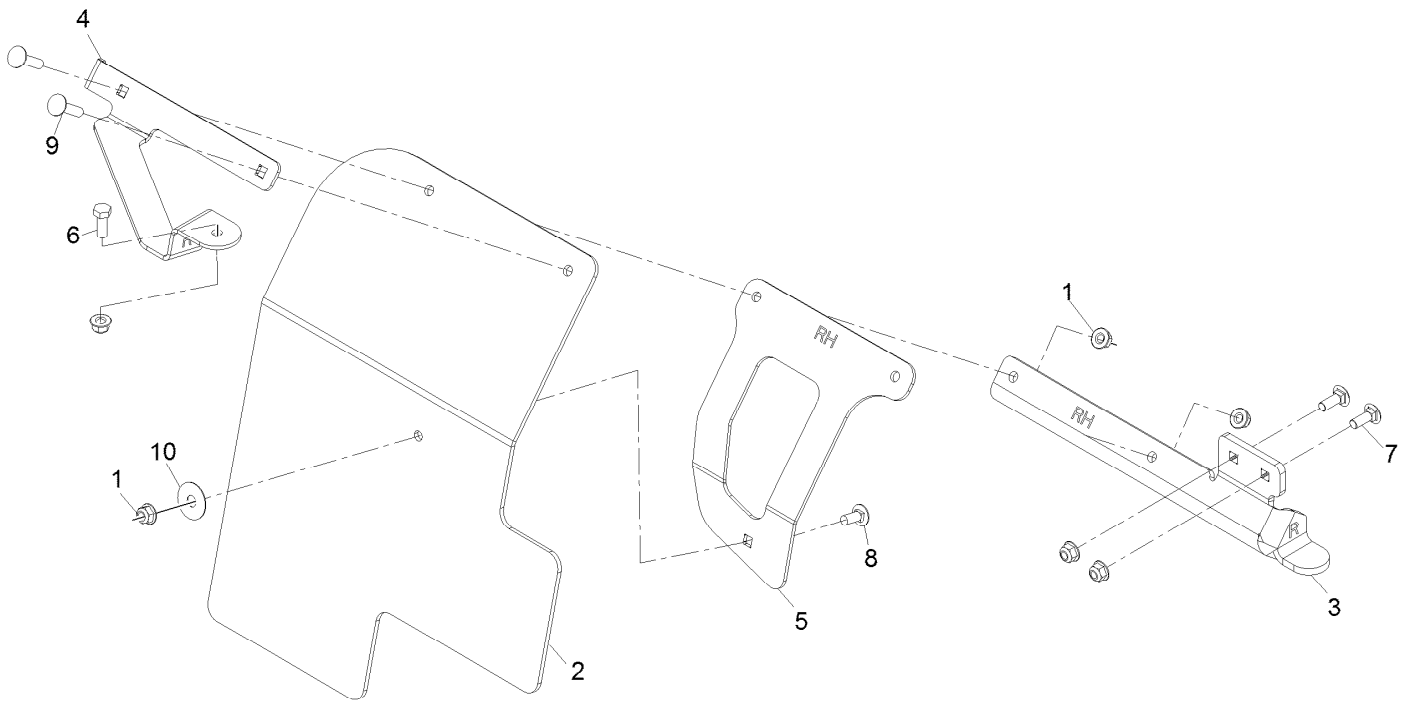


# Roll-Over Protection System Assembly No. 142-9749 (continued)

<i>Ref.</i>	<i>Part Number</i>	<i>Qty.</i>	<i>Description</i>	<i>Ref.</i>	<i>Part Number</i>	<i>Qty.</i>	<i>Description</i>
1		1	Lower-ROPS, RH ●	7	3233-10	2	Screw-CARR
2		1	Lower-ROPS, LH ●	8	109-9505	4	Washer-Spring
3	109-6653	2	Spacer	9	325-35	4	Screw-HH
4	142-2385	1	ASM,ROPS Upper W/Decal	10	116-0960	2	Spacer
4:2	107-3069	1	Decal-Warning	11	110-5696	2	Spring-Leaf
5	116-0104	2	Pin-Spring	12	3290-412	4	Rivet-Blind
6	99-5107	6	Nut-Lock				

● Not serviced separately

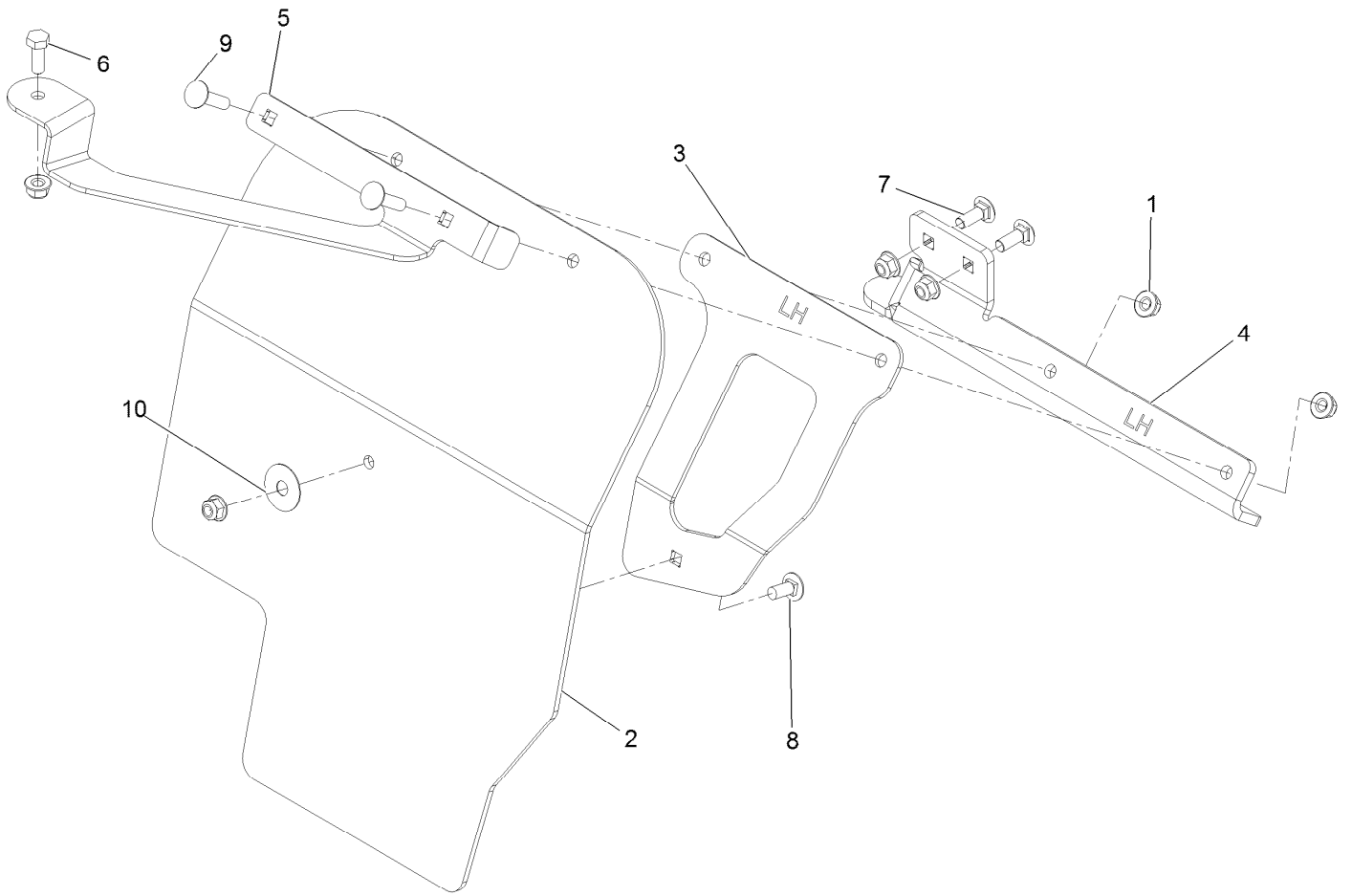
# RH Mud Flap Assembly No. 135-4933



## RH Mud Flap Assembly No. 135-4933 (continued)

<i>Ref.</i>	<i>Part Number</i>	<i>Qty.</i>	<i>Description</i>	<i>Ref.</i>	<i>Part Number</i>	<i>Qty.</i>	<i>Description</i>
1	104-8300	6	Nut-Nyloc 5/16-18 Flg	7	3230-16	2	Bolt-Carriage 5/16-18 X 7/8
2	135-4909	1	RH Mud Flap	8	3230-23	1	Bolt-Carriage 5/16-18 X 3/4 Short Neck
3	135-6917-03	1	Bracket, RH Mud Flap	9	3230-3	2	Bolt-Carriage 5/16-18 X 1 1/4
4	135-6919-03	1	Forward Support, RH Mud Flap	10	105-6814	1	Washer-Plain
5	135-4942-03	1	Support, RH Mud Flap				
6	322-4	1	Screw-HH 5/16-18 X 7/8				

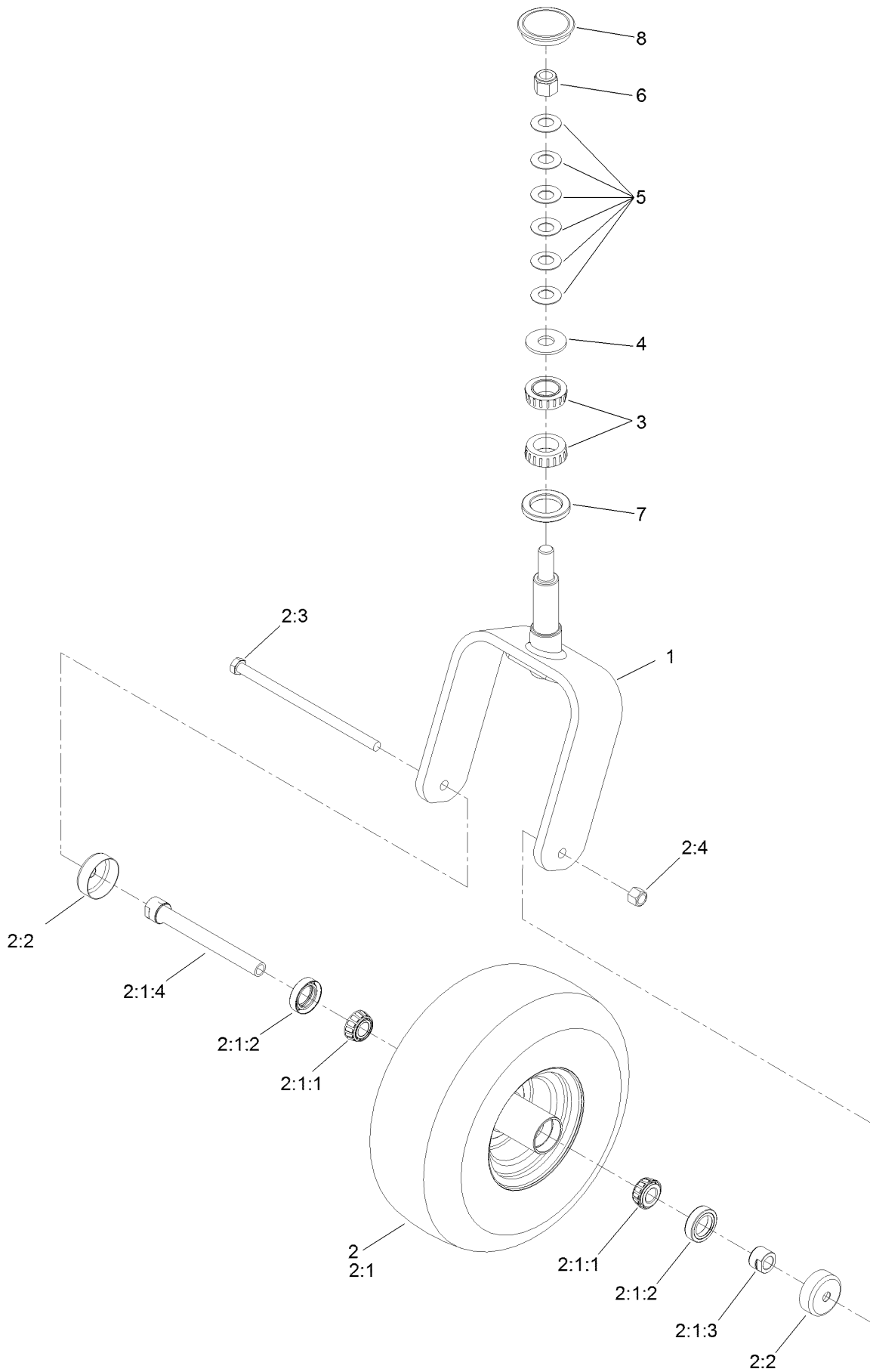
# LH Mud Flap Assembly No. 135-4943



## LH Mud Flap Assembly No. 135-4943 (continued)

<i>Ref.</i>	<i>Part Number</i>	<i>Qty.</i>	<i>Description</i>	<i>Ref.</i>	<i>Part Number</i>	<i>Qty.</i>	<i>Description</i>
1	104-8300	6	Nut-Nyloc 5/16-18 Flg	7	3230-16	2	Bolt-Carriage 5/16-18 X 7/8
2	135-4912	1	LH Mud Flap	8	3230-23	1	Bolt-Carriage 5/16-18 X 3/4 Short Neck
3	135-4938-03	1	Support, LH Mud Flap	9	3230-3	2	Bolt-Carriage 5/16-18 X 1 1/4
4	135-6916-03	1	Bracket, LH Mud Flap	10	105-6814	1	Washer-Plain
5	135-6918-03	1	Forward Support, LH Mud Flap				
6	322-4	1	Screw-HH 5/16-18 X 7/8				

# Caster Wheel Assembly



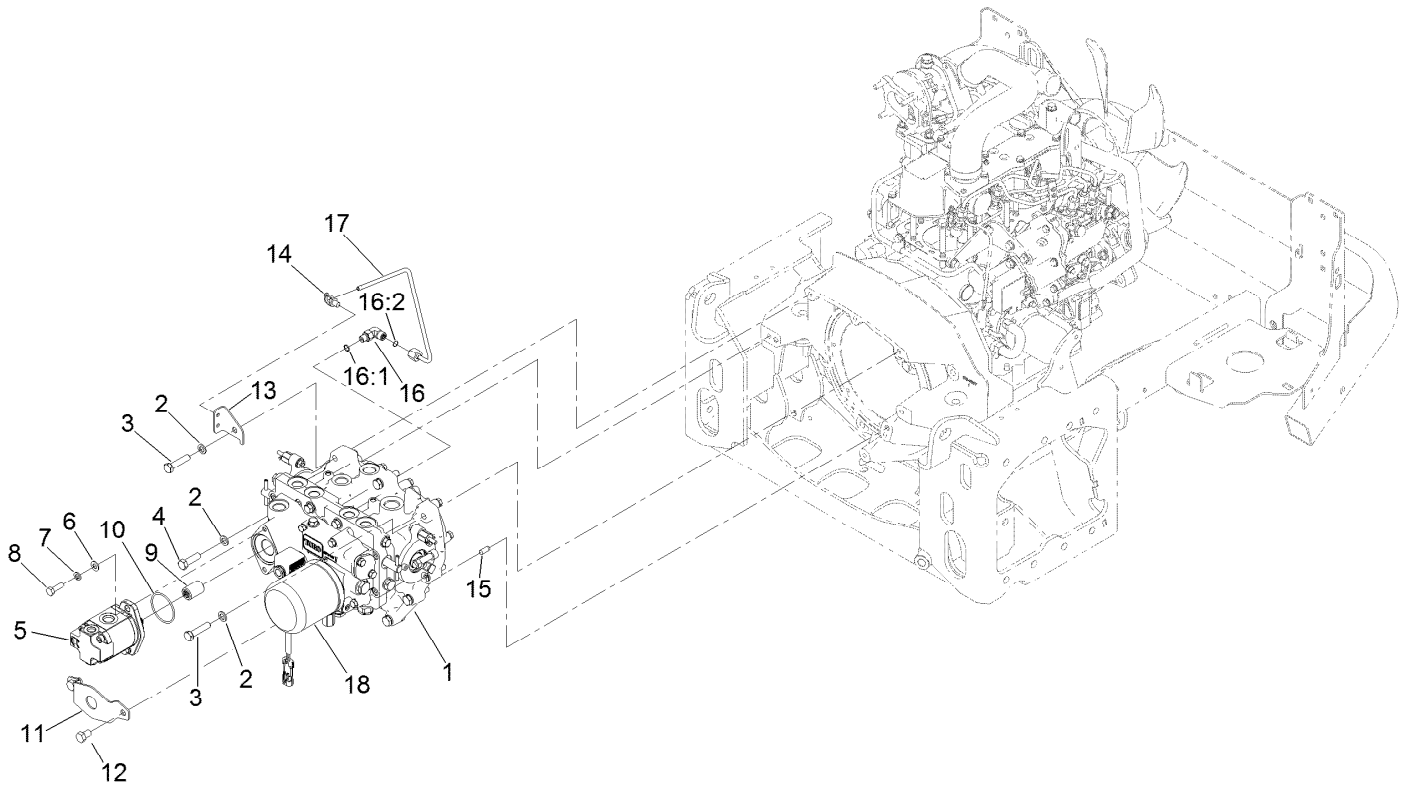


## Caster Wheel Assembly (continued)

<i>Ref.</i>	<i>Part Number</i>	<i>Qty.</i>	<i>Description</i>	<i>Ref.</i>	<i>Part Number</i>	<i>Qty.</i>	<i>Description</i>
1	126-8601-01	1	Fork-Caster	2:3	325-39	1	Screw-HH
2	126-9344	1	Wheel And Tire ASM	2:4	3296-23	1	Nut-Lock, NI
2:1		1	Tire And Wheel ASM ●	3	103-9028	2	Bearing-Roller, Cone Taper
2:1:1	1-633585	2	Bearing-Cone, Taper	4	3256-8	1	Washer-Flat
2:1:2	103-0063	2	Seal-Caster	5	1-633508	6	Washer-Bellville
2:1:3	103-3051	1	Spacer-Nut	6	3296-51	1	Nut-Lock, NI
2:1:4	126-5361	1	Axle Caster ASM	7	135-0355	1	Seal-Grease
2:2	103-2768	2	Guard-Seal	8	126-9369	1	Cap-Grease

● Not serviced separately

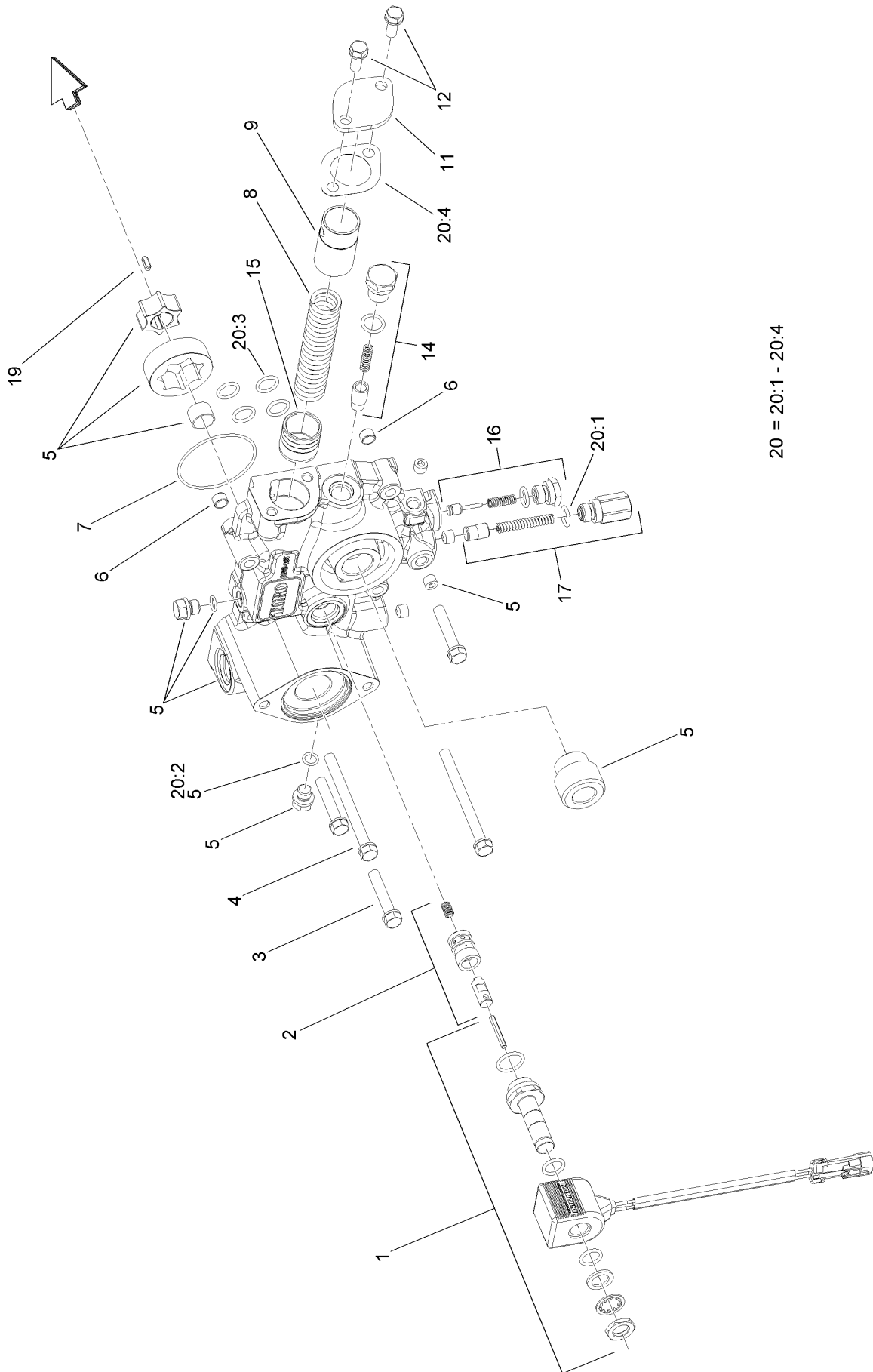
# Transmission Assembly



## Transmission Assembly (continued)

<i>Ref.</i>	<i>Part Number</i>	<i>Qty.</i>	<i>Description</i>	<i>Ref.</i>	<i>Part Number</i>	<i>Qty.</i>	<i>Description</i>
1	131-5510	1	Transmisson ASM	11	114-4088	1	Shield-Seal
2	48-9590	7	Washer-Lock	12	33115-016	2	Screw-HH
3	33115-045	6	Screw-HH	13	126-6806	1	Support-Tube
4	33115-035	1	Screw-HH	14	32180-030	1	Clip-Tie
5	112-9542	1	HYD Gear Pump ASM	15	87-1910	2	Pin-Dowel
6	3256-23	2	Washer-Plain	16	340-132	1	Fitting-Elbow, 90 DEG
7	3253-4	2	Washer-Lock	16:1	237-78	1	O-Ring
8	33114-025	2	Screw-HH	16:2	237-21	1	O-Ring
9	108-9920	1	Coupler-Spline	17	126-8689	1	Tube ASM
10	108-9919	1	O-Ring	18	108-5194	1	Filter-Oil, HYD

# Charge Pump Housing Assembly Transmission Assembly No. 131-5510



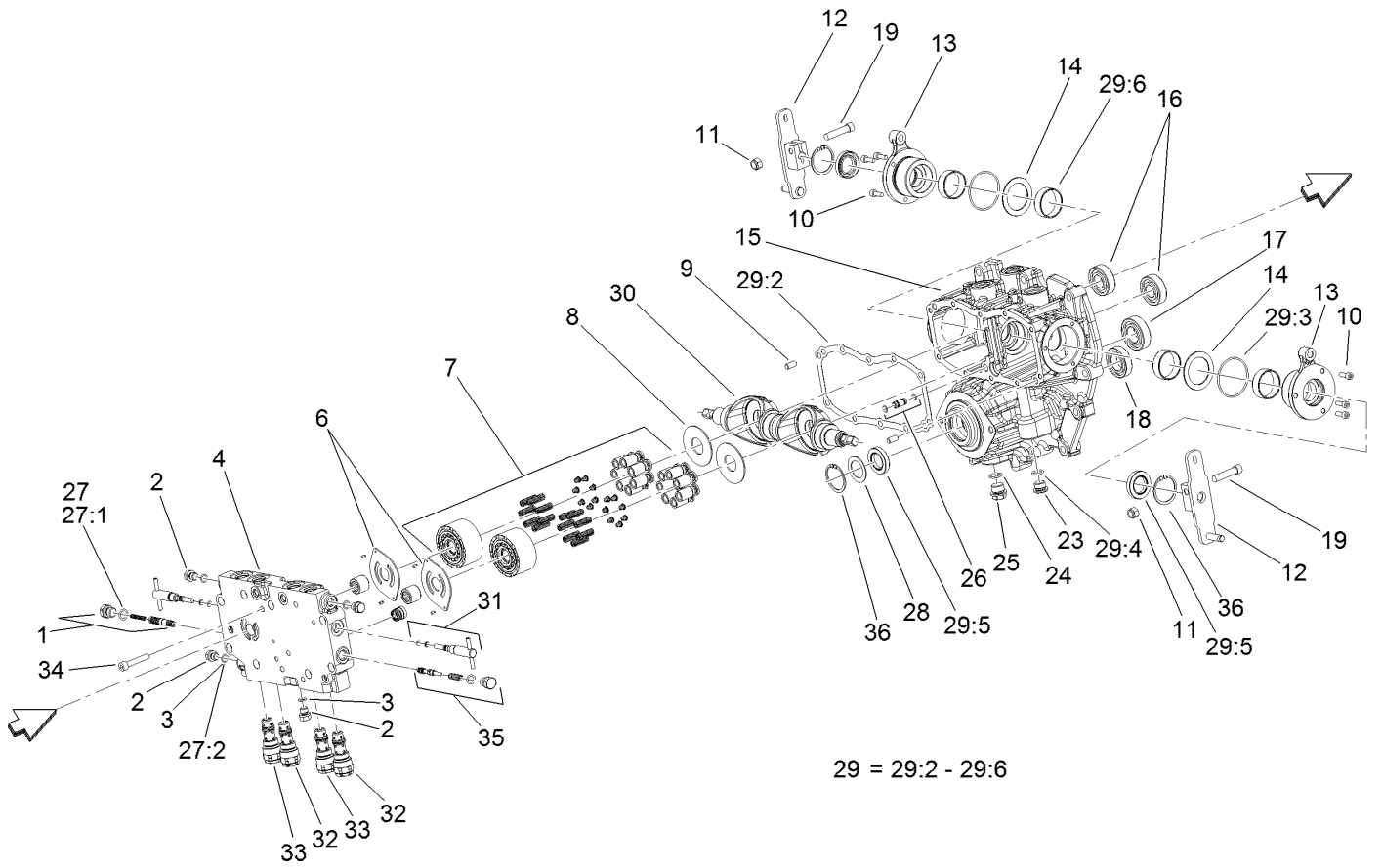
20 = 20:1 - 20:4

## Charge Pump Housing Assembly Transmission Assembly No. 131-5510 (continued)

<i>Ref.</i>	<i>Part Number</i>	<i>Qty.</i>	<i>Description</i>	<i>Ref.</i>	<i>Part Number</i>	<i>Qty.</i>	<i>Description</i>
1	107-0851	1	Solenoid ASM	14	107-0843	1	Filter Bypass Valve ASM
2	107-0850	1	Solenoid Valve ASM	15	107-0818	1	Piston
3	107-0863	3	Bolt	16	107-0842	1	Charge Relief Valve ASM
4	107-0864	2	Bolt	17	107-0841	1	Pressure Valve ASM
5	107-0840	1	Pump Body ASM	19	107-0865	1	Key
6	107-0848	2	Pin	20	107-0855	1	Charge Pump Seal Kit
7	107-0856	1	O-Ring	20:1	93-0418	2	O-Ring
8	107-0845	1	Spring	20:2	107-0817	2	O Ring-Plug
9	107-0844	1	Collar	20:3	104-3298	6	Packing
11	107-0846	1	Cover	20:4	107-0847	1	Gasket
12	93-0457	2	Bolt And Washer ASM				

# Transmission Assembly (cont.)

## Center Section Assembly



## Transmission Assembly (cont.) Center Section Assembly (continued)

<i>Ref.</i>	<i>Part Number</i>	<i>Qty.</i>	<i>Description</i>	<i>Ref.</i>	<i>Part Number</i>	<i>Qty.</i>	<i>Description</i>
1	107-0807	1	Valve-Flushing, RH	25	107-0867	1	Plug
2	107-0857	6	Plug	26	107-0812	1	Pipe
3	107-0817	6	O Ring-Plug	27	107-0852	1	Center Case Seal Kit
4	121-3377	1	Center Case, Complete	27:1	93-0418	2	O-Ring
6	107-0805	2	Plate-Valve	27:2	107-0817	6	O Ring-Plug
7	107-0824	2	Cylinder Block ASM	28	107-0813	1	Spacer
8	107-0830	2	Plate-Thrust	29	107-0853	1	Pump Housing Seal Kit
9	92-0765	4	Pin-Parallel	29:2	107-0810	1	Gasket-Case, Center
10	107-0859	6	Bolt	29:3	107-0817	2	O Ring-Plug
11	120-6681	2	U-Nut	29:4	104-3298	1	Packing
12	120-6680	2	Arm-Control	29:5	107-0814	3	Seal
13	107-0832	2	Side Cover ASM	29:6	107-0825	4	Ring-Seal
14	107-0829	2	Washer	30	120-6679	2	Plate-Swash
15	120-5151	1	Pump Housing ASM	31	107-0808	2	Valve-Bypass
16	107-0826	2	Bearing	32	107-0804	2	Valve-Rear
17	107-0821	1	Bearing	33	107-0803	2	Valve-Front
18	107-0838	1	Bearing	34	107-0863	8	Bolt
19	120-6682	2	Bolt	35	107-0806	1	Valve-Flushing, LH
23	107-0861	1	Plug-NPTF	36	92-0757	2	Ring-Snap
24	237-79	1	O-Ring				



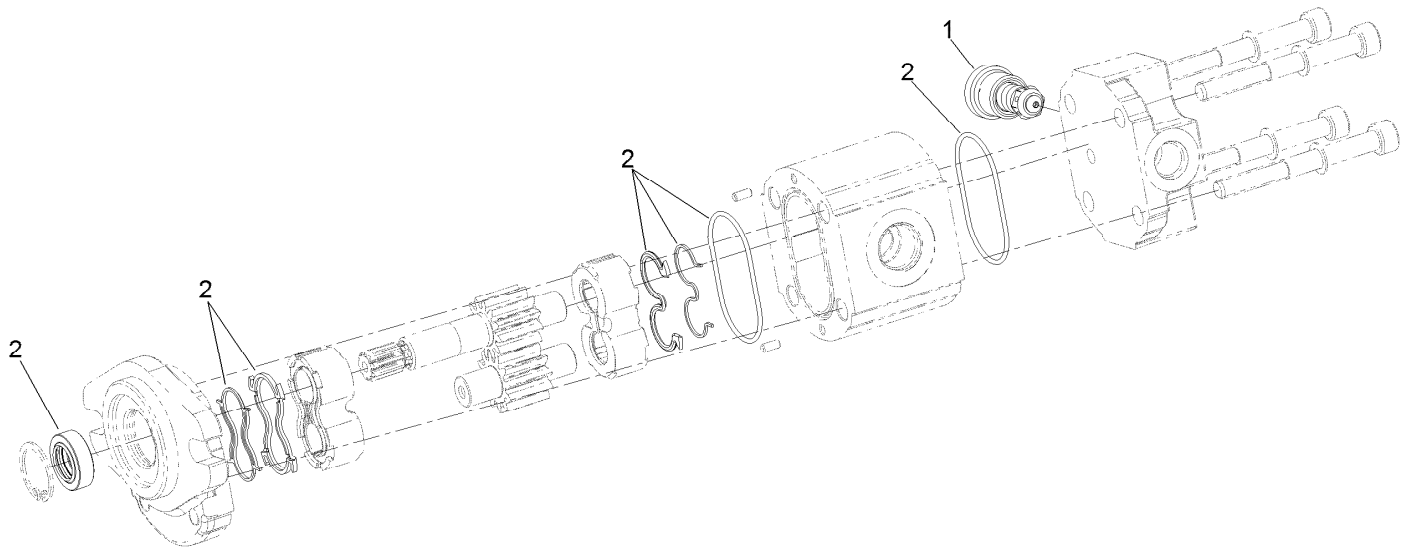


## Transmission Assembly (cont.) Gear Case and Clutch Assembly (continued)

<i>Ref.</i>	<i>Part Number</i>	<i>Qty.</i>	<i>Description</i>	<i>Ref.</i>	<i>Part Number</i>	<i>Qty.</i>	<i>Description</i>
1	107-0839	1	PTO Brake ASM	19	107-0811	1	Pipe
2	107-0837	3	Rod-Push	20	107-0821	2	Bearing
3	107-0833	1	PTO Shaft ASM	21	107-0836	1	Spacer
4	107-0825	2	Ring-Seal	22	107-0820	1	Gear-Input
5	107-0827	1	Shaft-Pump	23	107-0834	1	Gear-PTO
6	107-0823	2	Gear-Pump	24	107-0822	1	Shaft-Pump
7	92-0765	4	Pin-Parallel	25	107-0819	1	Shaft-Input
8	107-0816	1	Gasket-Housing, Gear	26	92-0758	1	Ring-Snap
9	107-0826	4	Bearing	27	107-0838	3	Bearing
10	120-5152	1	Housing-Case, Gear	28	107-0866	1	Key
11	107-0863	13	Bolt	29	107-0835	1	Clutch Cylinder ASM
12	92-0757	1	Ring-Snap	30	107-0854	1	Gear Housing Seal Kit
13	107-0813	1	Spacer	30:1	107-0817	2	O Ring-Plug
14	107-0814	1	Seal	30:2		2	O-Ring ●
15	104-3298	1	Packing	30:3	104-3298	1	Packing
16	107-0861	1	Plug-NPTF	30:4	107-0814	1	Seal
17	107-0817	6	O Ring-Plug	30:5	107-0816	1	Gasket-Housing, Gear
18	107-0857	6	Plug				

● Not serviced separately

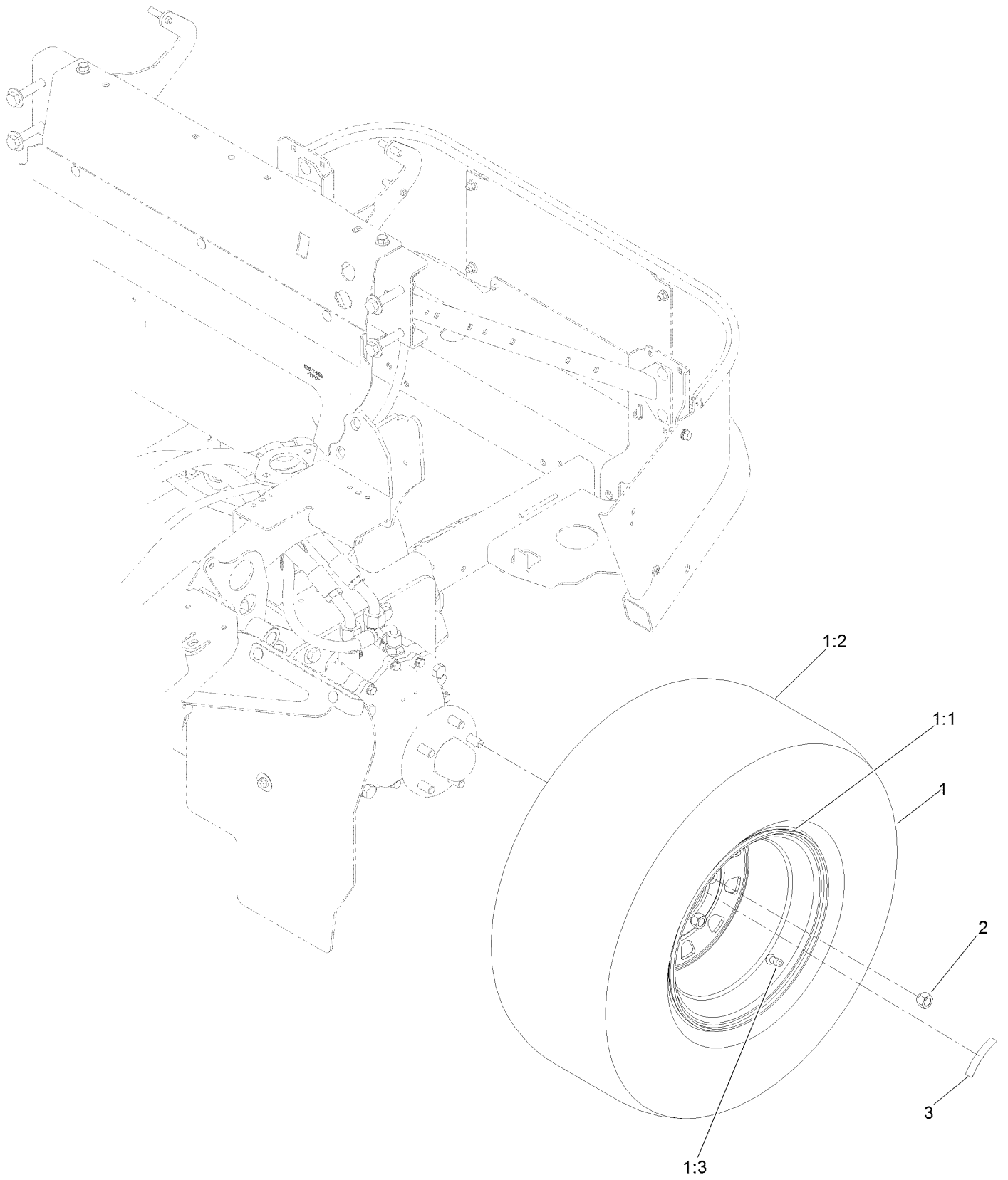
# Hydraulic Gear Pump Assembly No. 112-9542



# Hydraulic Gear Pump Assembly No. 112-9542 (continued)

<i>Ref.</i>	<i>Part Number</i>	<i>Qty.</i>	<i>Description</i>
1	112-0198	1	Valve
2	112-0199	1	Seal Kit

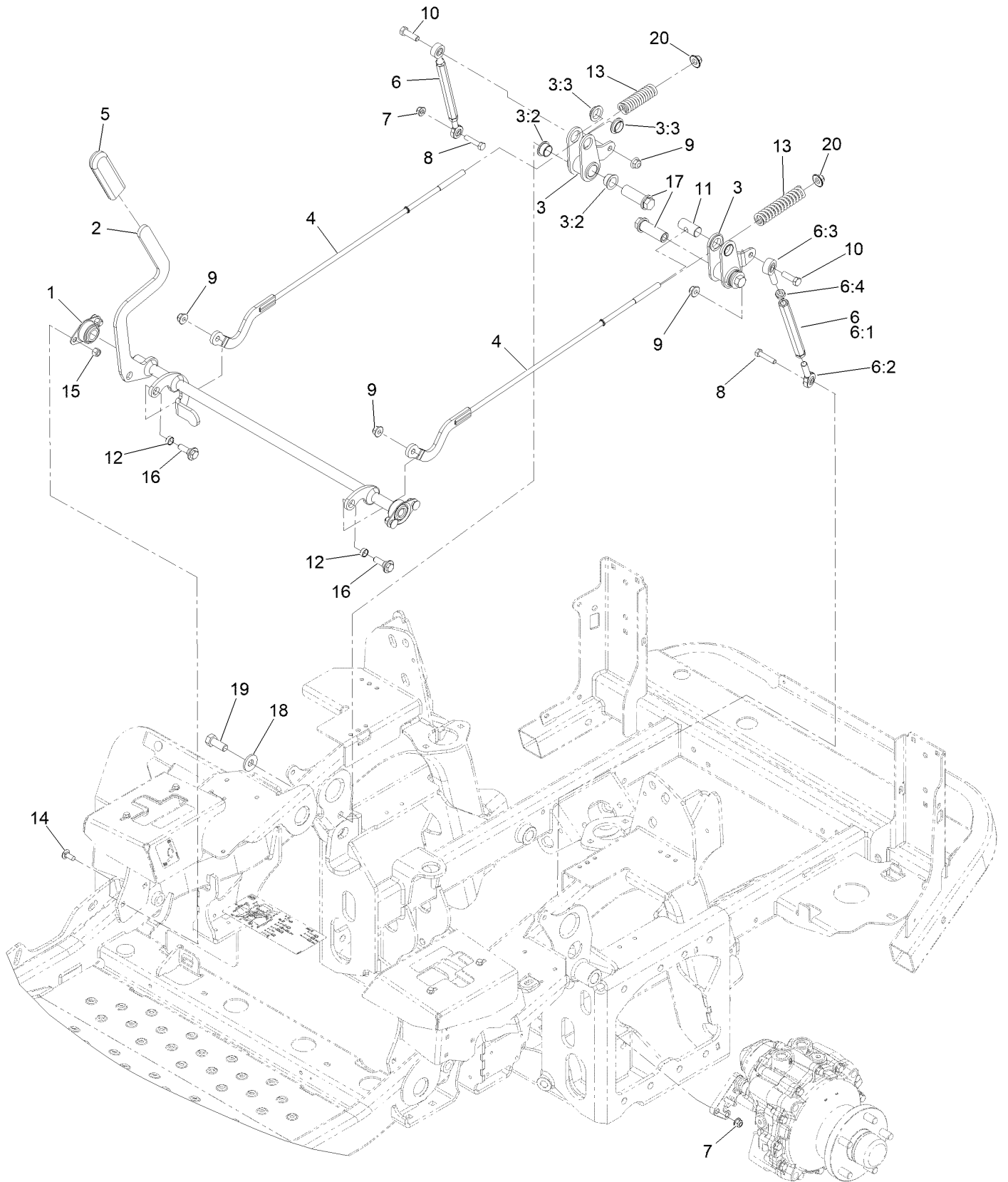
# Drive Wheel Assembly



## Drive Wheel Assembly (continued)

<i>Ref.</i>	<i>Part Number</i>	<i>Qty.</i>	<i>Description</i>	<i>Ref.</i>	<i>Part Number</i>	<i>Qty.</i>	<i>Description</i>
1	126-7736	2	Tire ASM	1:3	232-27	1	Stem-Valve
1:1	126-8032	1	Rim	2	242-50	10	Nut-Lug
1:2	126-8033	1	Tire	3	135-0328	2	Decal-Torque, Wheel Nut

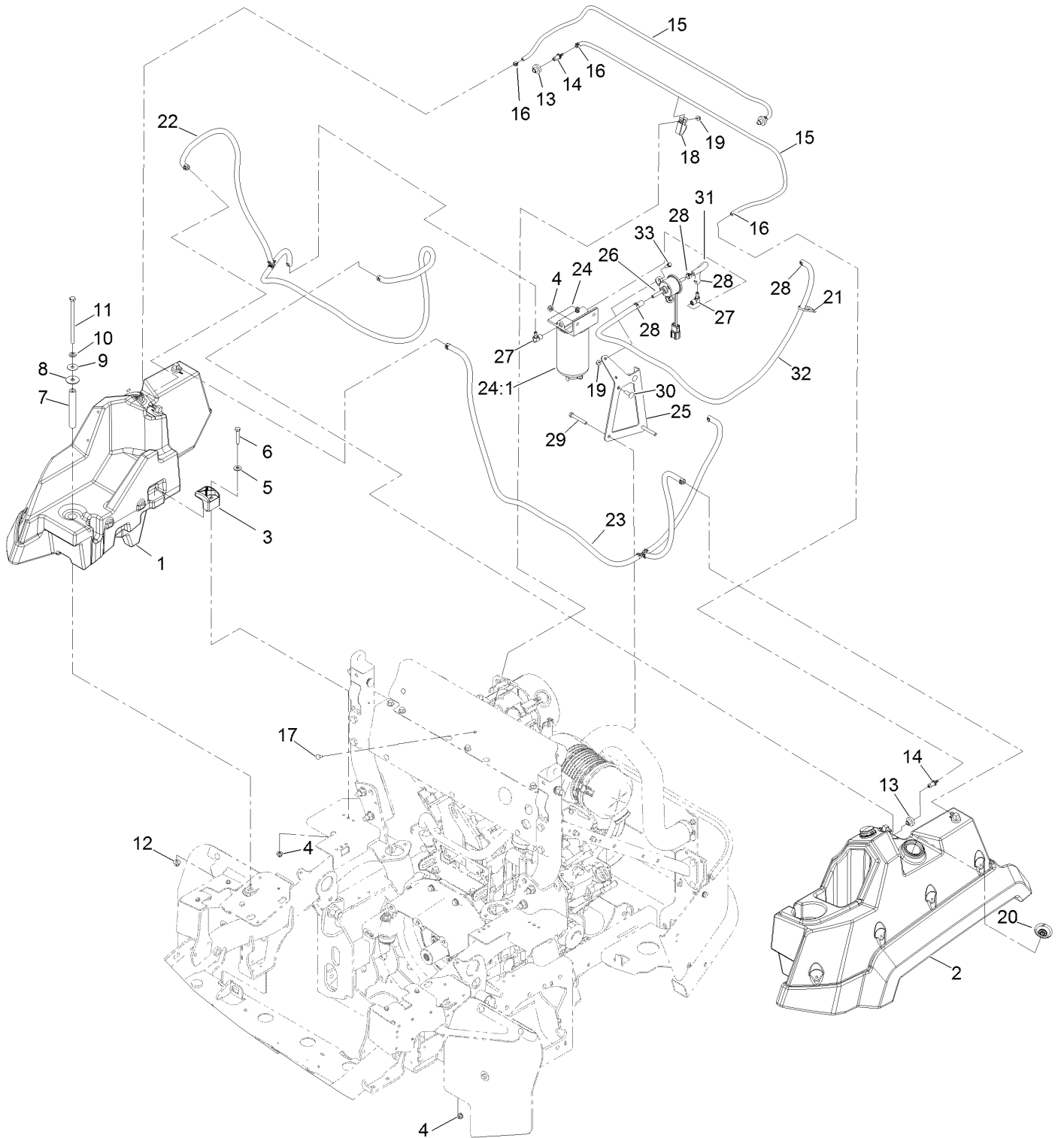
# Parking Brake Assembly



## Parking Brake Assembly (continued)

<i>Ref.</i>	<i>Part Number</i>	<i>Qty.</i>	<i>Description</i>	<i>Ref.</i>	<i>Part Number</i>	<i>Qty.</i>	<i>Description</i>
1	1-633102	2	Bearing-Flange, Side	8	322-7	2	Screw-HH
2	142-4901	1	Shaft-Brake	9	104-8301	4	Nut-HF, NI
3	126-3010	2	Brake Bellcrank ASM	10	323-7	2	Screw-HH
3:2	109-8054	2	Bushing-Flange	11	1-633144	2	Pin-Trunion
3:3	135-2840	2	Bushing-Flange	12	133-5109	2	Bearing-Sleeve
4	142-4897	2	Link-Brake, Upper	13	109-2230	2	Spring-Compression
5	1-633268	1	Grip-Lever	14	3230-23	4	Bolt-CARR
6	126-9171	2	Turnbuckle ASM	15	3296-29	4	Nut-Lock, NI
6:1	126-9172	1	Turnbuckle	16	614672	2	Screw-Shoulder, HWH
6:2	126-9302	1	Bearing-End, LH Rod	17	109-5891	2	Hub-Threaded
6:3	1-613204	1	Balljoint	18	1-513435	2	Washer-Spring
6:4	3220-3	1	Nut-HJ	19	325-5	2	Screw-HH
7	104-8300	2	Nut-HF, NI	20	109-6658	2	Nut-Flange, NI

# Fuel System Assembly

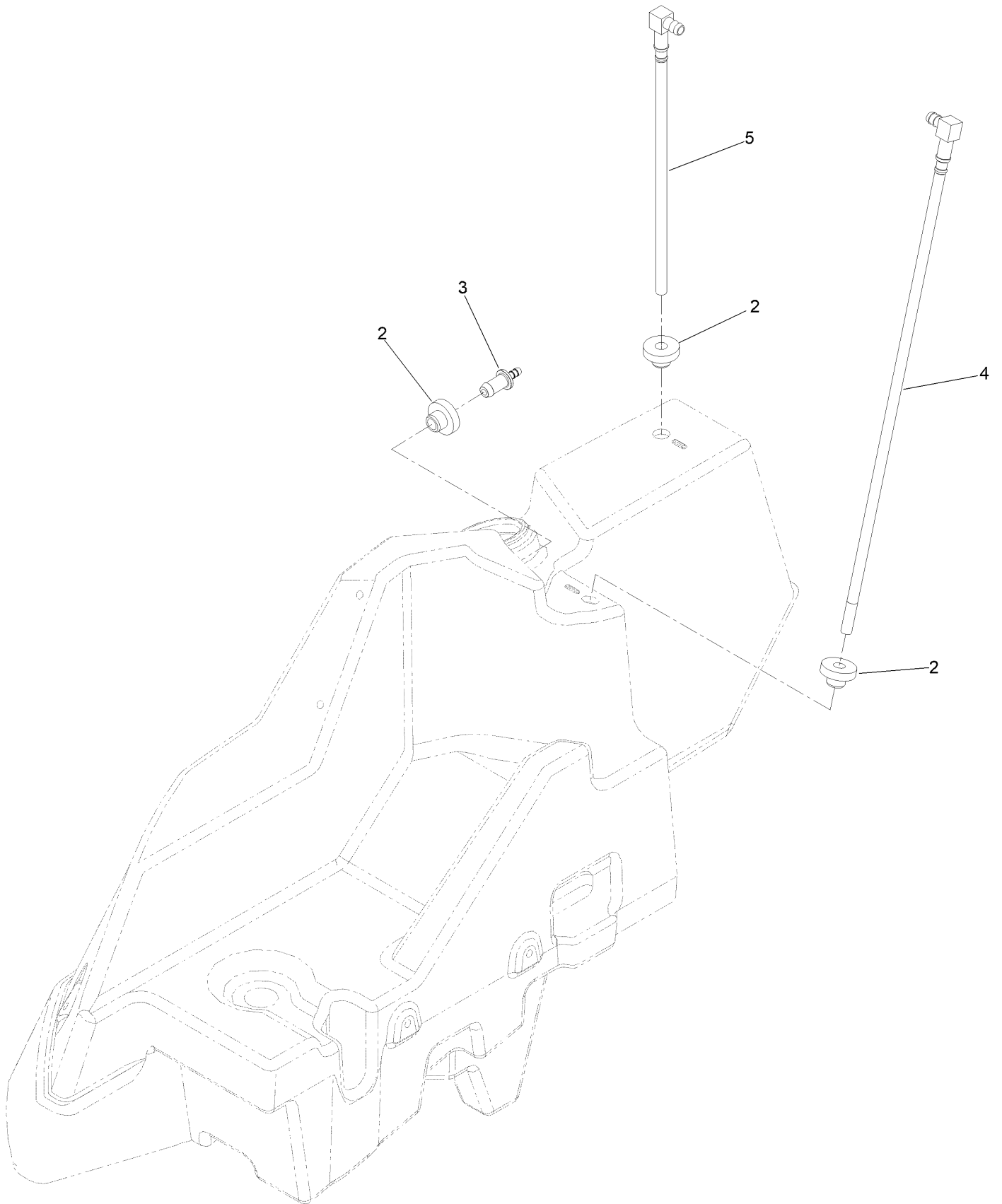




## Fuel System Assembly (continued)

<i>Ref.</i>	<i>Part Number</i>	<i>Qty.</i>	<i>Description</i>	<i>Ref.</i>	<i>Part Number</i>	<i>Qty.</i>	<i>Description</i>
1	142-8638	1	RH Fuel Tank ASM	18	92-5753	3	Clamp-Hose
2	142-8637	1	LH Fuel Tank ASM	19	104-7201	5	Nut-HF, NI
3	107-4543	4	Clamp	20	135-2715	2	Cap-Fuel, Diesel
4	104-8300	8	Nut-HF, NI	21	3290-378	1	Tie-Cable
5	3256-3	4	Washer-Flat	22	135-0512	1	Fuel Suction Line ASM
6	322-21	4	Screw-HH	23	135-0513	1	Fuel Return Line ASM
7	126-8335	2	Tube-Spacer	24	125-2914	1	Filter-Separator
8	95-1905	2	Washer-Rubber	24:1	125-2915	1	Filter-Fuel/Water Separator
9	105-6814	2	Washer-Plain	25	126-8795-03	1	Bracket-Filter, Fuel
10	3256-24	2	Washer-Flat	26	121-5613	1	Pump-Fuel, Electric
11	323-22	2	Screw-HH	27	353-781	2	Fitting-HYD, 90
12	104-8301	2	Nut-HF, NI	28	92-2379	4	Clamp-Hose
13	46-6560	2	Bushing	29	322-11	2	Screw-HH
14	116-4630	2	Fitting-Orifice, Straight	30	3230-22	2	Screw-CARR
15	117-6395	2	Hose-Vent, Tank	31	108-3280	1	Hose-Fuel
16	2412-80	4	Clamp-Hose	32	110-7503	1	Hose-Fuel
17	3229-11	3	Screw-CARR	33	32105-15	2	Screw-HWH

# RH Fuel Tank Assembly No. 142-8638

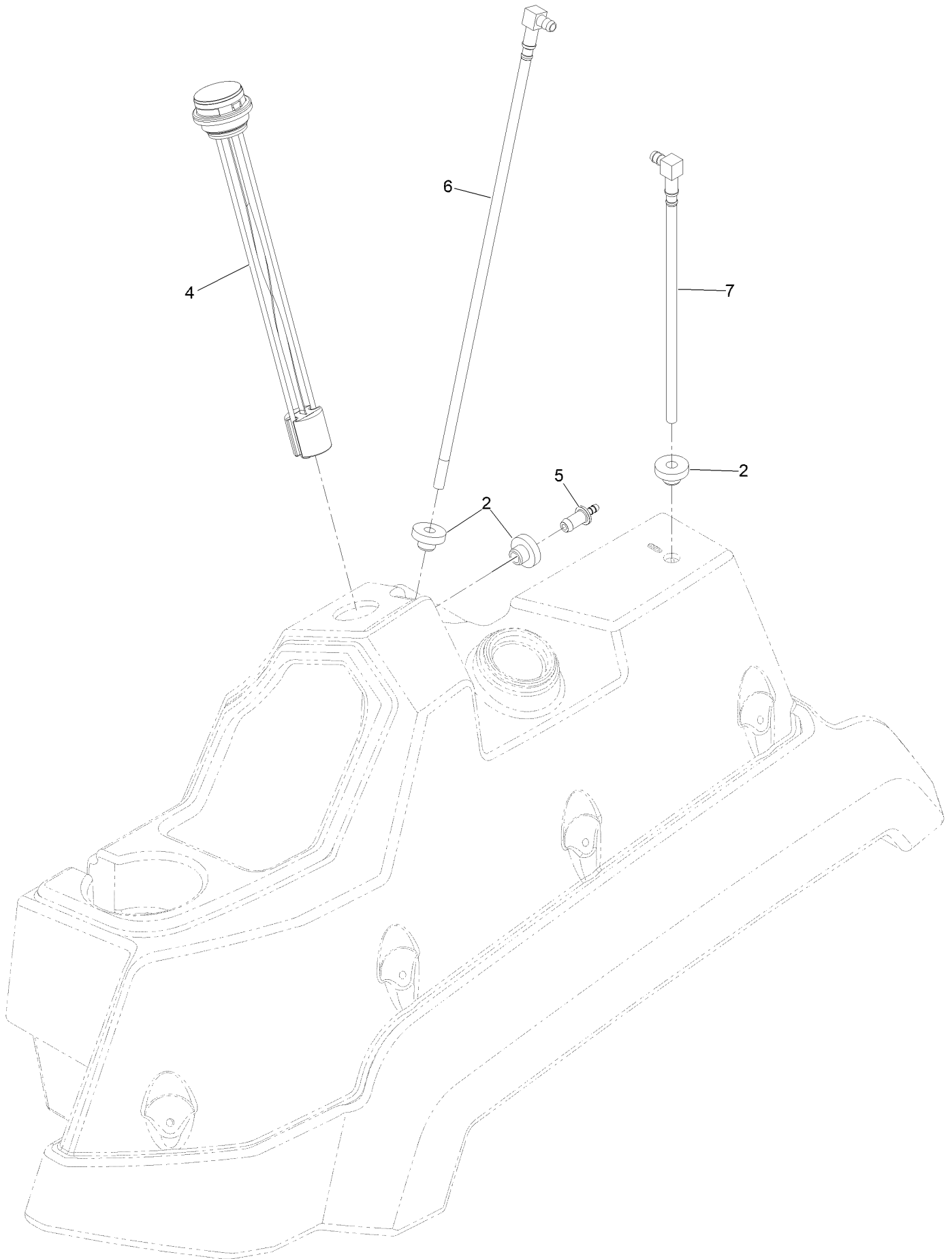


## RH Fuel Tank Assembly No. 142-8638 (continued)

<i>Ref.</i>	<i>Part Number</i>	<i>Qty.</i>	<i>Description</i>
2	46-6560	3	Bushing
3	116-4630	1	Fitting-Orifice, Straight

<i>Ref.</i>	<i>Part Number</i>	<i>Qty.</i>	<i>Description</i>
4	126-8647	1	Pick-Up-Fuel
5	126-8649	1	Return-Fuel

# LH Fuel Tank Assembly 142-8637

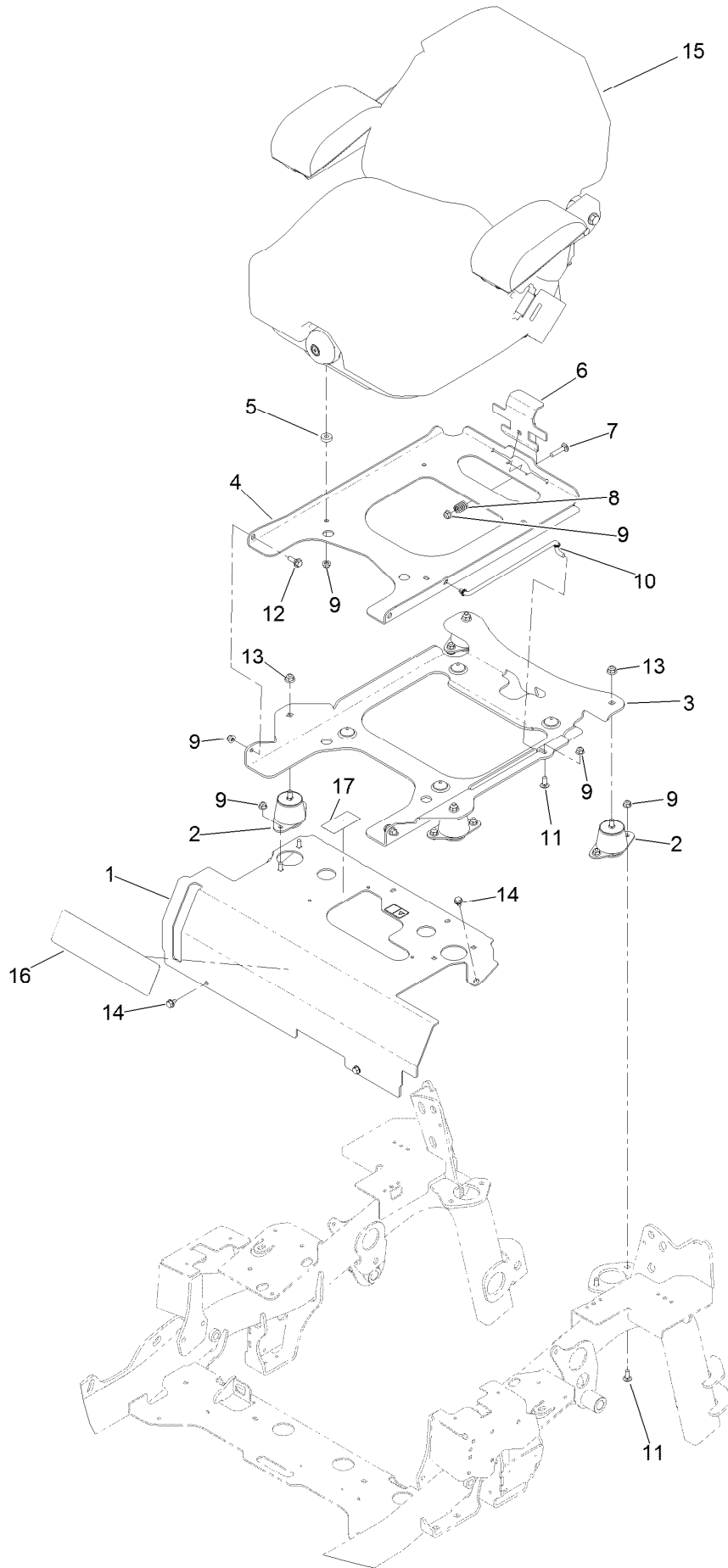


## LH Fuel Tank Assembly 142-8637 (continued)

<i>Ref.</i>	<i>Part Number</i>	<i>Qty.</i>	<i>Description</i>
2	46-6560	3	Bushing
4	126-8660	1	Gauge-Fuel
5	116-4630	1	Fitting-Orifice, Straight

<i>Ref.</i>	<i>Part Number</i>	<i>Qty.</i>	<i>Description</i>
6	126-8647	1	Pick-Up-Fuel
7	126-8649	1	Return-Fuel

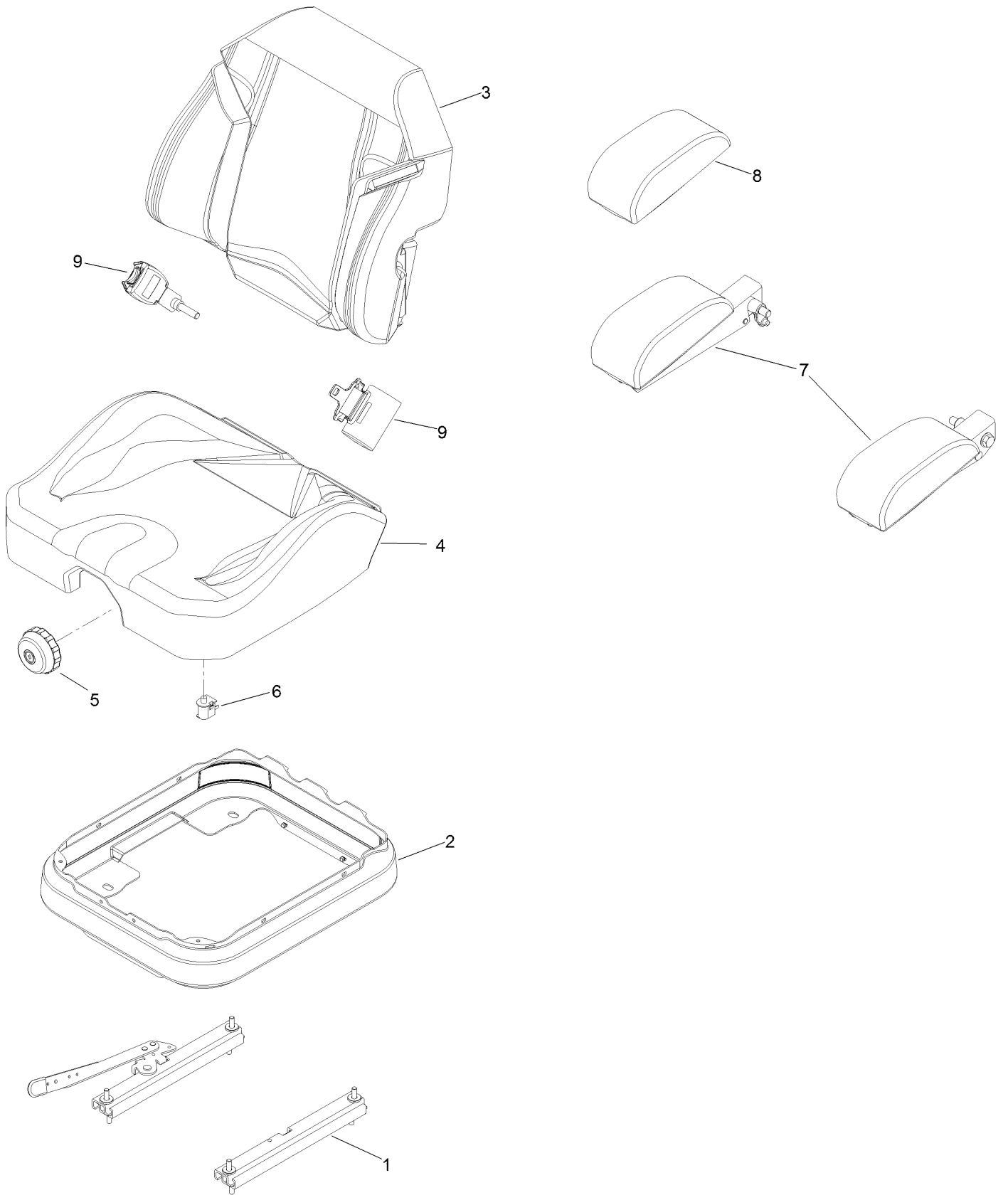
# Seat Mount Assembly



## Seat Mount Assembly (continued)

<i>Ref.</i>	<i>Part Number</i>	<i>Qty.</i>	<i>Description</i>	<i>Ref.</i>	<i>Part Number</i>	<i>Qty.</i>	<i>Description</i>
1	142-6637	1	Mount-Seat W/Decals	10	116-0070	1	Rod-Prop
2	109-9034	4	Isolator-Seat	11	3230-23	9	Bolt-CARR
3	126-2701-03	1	Plate-Support, Tilt Seat	12	116-1297	2	Screw-Shoulder
4	126-2700-03	1	Plate-Frame, Seat	13	104-8301	4	Nut-HF, NI
5	26-4840	4	Spacer-Pin, Mounting	14	9266934	4	Screw
6	126-1855	1	Plate-Latch, Seat	15	140-8003	1	Seat-Suspension
7	3230-4	1	Bolt-CARR	16	140-1215	1	Decal-Console
8	107-3017	1	Spring-Compression	17	135-2837	1	Decal-Fluid, Transmission
9	104-8300	16	Nut-HF, NI				

# Seat Assembly No. 140-8003



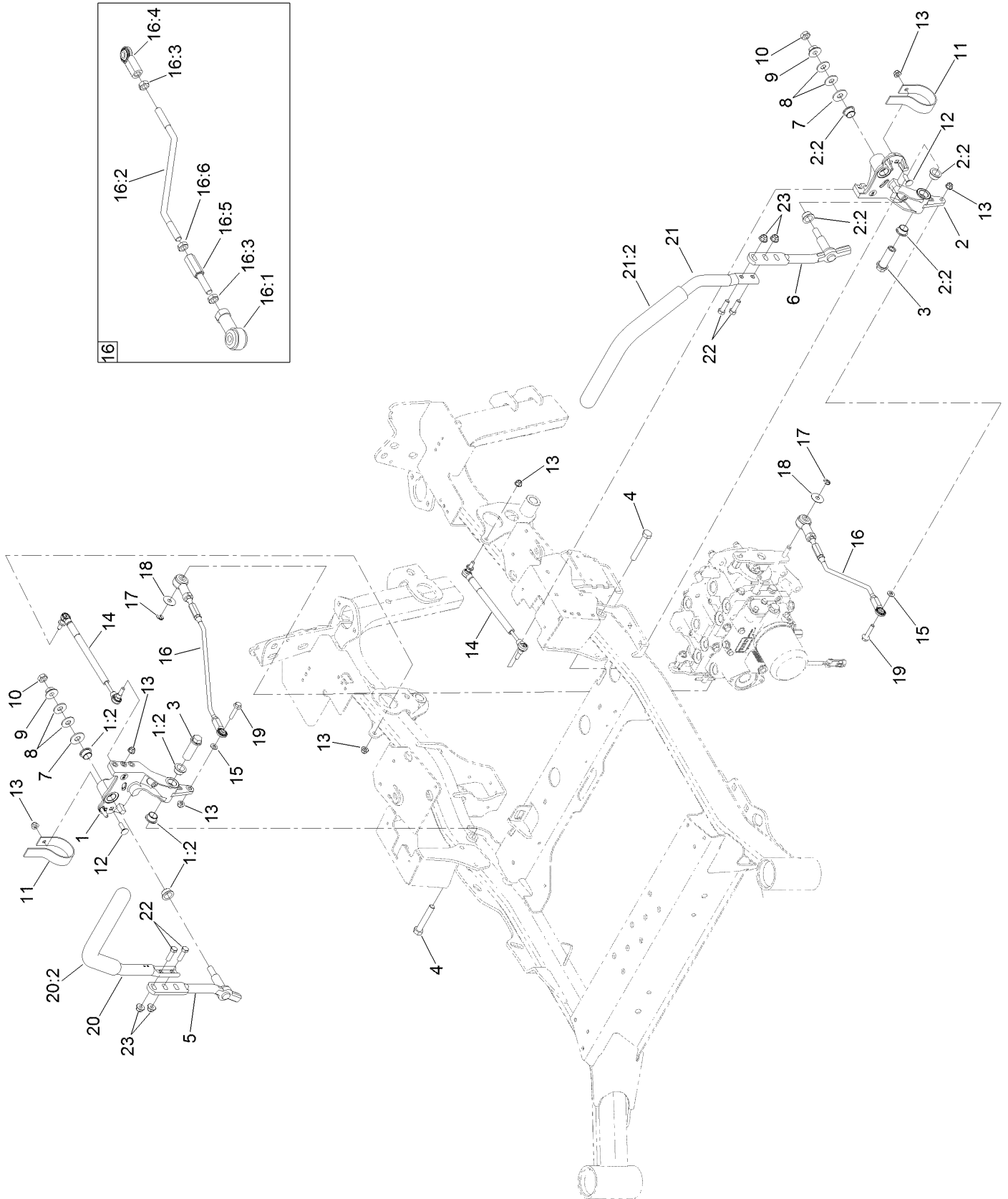


## Seat Assembly No. 140-8003 (continued)

<i>Ref.</i>	<i>Part Number</i>	<i>Qty.</i>	<i>Description</i>
1	140-8012	1	Set, Seat Track
2	116-5659	1	Cover-Suspension Bellows
3	140-8004	1	Cover-Back
4	140-8005	1	Cover-Cushion
5	116-8911	1	Knob-Adjuster

<i>Ref.</i>	<i>Part Number</i>	<i>Qty.</i>	<i>Description</i>
6	82-2190	1	Switch-Bail
7	109-9803	1	Arm Rest Set
8	109-9802	1	Arm Rest Pad Set
9	126-2061	1	Seat Belt Service Kit

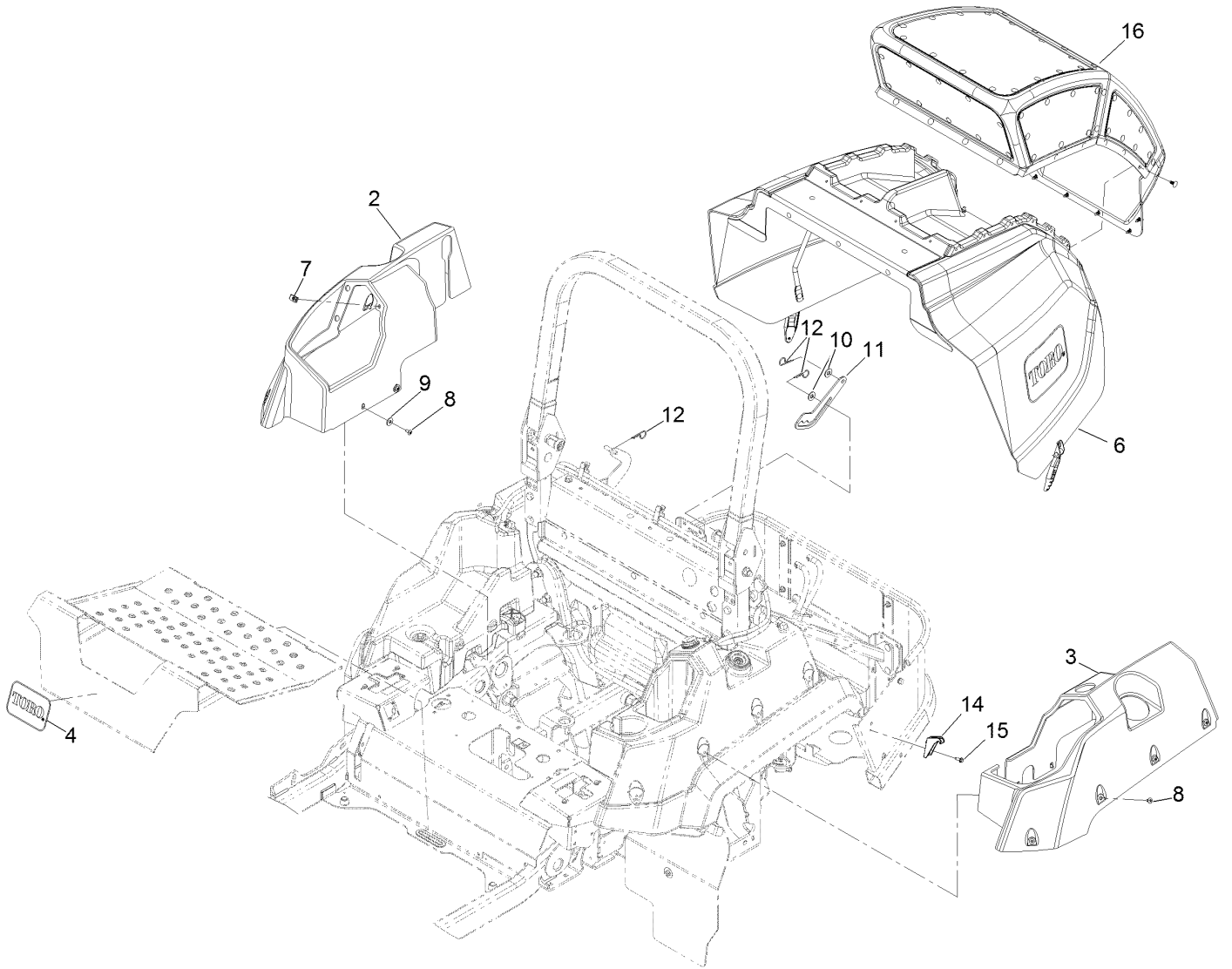
# Motion Control Assembly



## Motion Control Assembly (continued)

<i>Ref.</i>	<i>Part Number</i>	<i>Qty.</i>	<i>Description</i>	<i>Ref.</i>	<i>Part Number</i>	<i>Qty.</i>	<i>Description</i>
1	116-0880	1	RH Motion Control And Bushing ASM	15	3256-23	2	Washer-Plain
1:2	109-8054	4	Bushing-Flange	16	126-6131	2	Front Linkage Rod ASM
2	116-0881	1	LH Motion Control And Bushing ASM	16:1	105-7199	1	End-Rod, Isolated
2:2	109-8054	4	Bushing-Flange	16:2	126-6469	1	Rod-Linkage, Rear
3	109-5891	2	Hub-Threaded	16:3	3220-3	2	Nut-HJ
4	325-12	2	Screw-HH	16:4	103-2463	1	Joint-Ball, End
5	116-0039	1	Lever-Control Motion, RH	16:5	116-4755	1	Rod-Adjustment
6	116-0040	1	Lever-Control Motion, LH	16:6	3220-16	1	Nut-Hex Jam, LH
7	3256-6	2	Washer-Flat	17	32151-47	2	Ring-Retaining
8	109-9505	4	Washer-Spring	18	105-6814	2	Washer-Plain
9	32128-56	2	Nut-HF	19	115-1794	2	Screw-HHF
10	3218-5	2	Nut-Jam	20	126-7700	1	RH Steering Handle ASM
11	109-5575	2	Spring-Leaf	20:2	109-5668	1	Grip-Lever, Control
12	3230-2	2	Bolt-CARR	21	126-7699	1	LH Steering Handle ASM
13	104-8300	8	Nut-HF, NI	21:2	109-5668	1	Grip-Lever, Control
14	116-0027	2	Damper-Control, Motion	22	323-7	4	Screw-HH
				23	104-8301	4	Nut-HF, NI

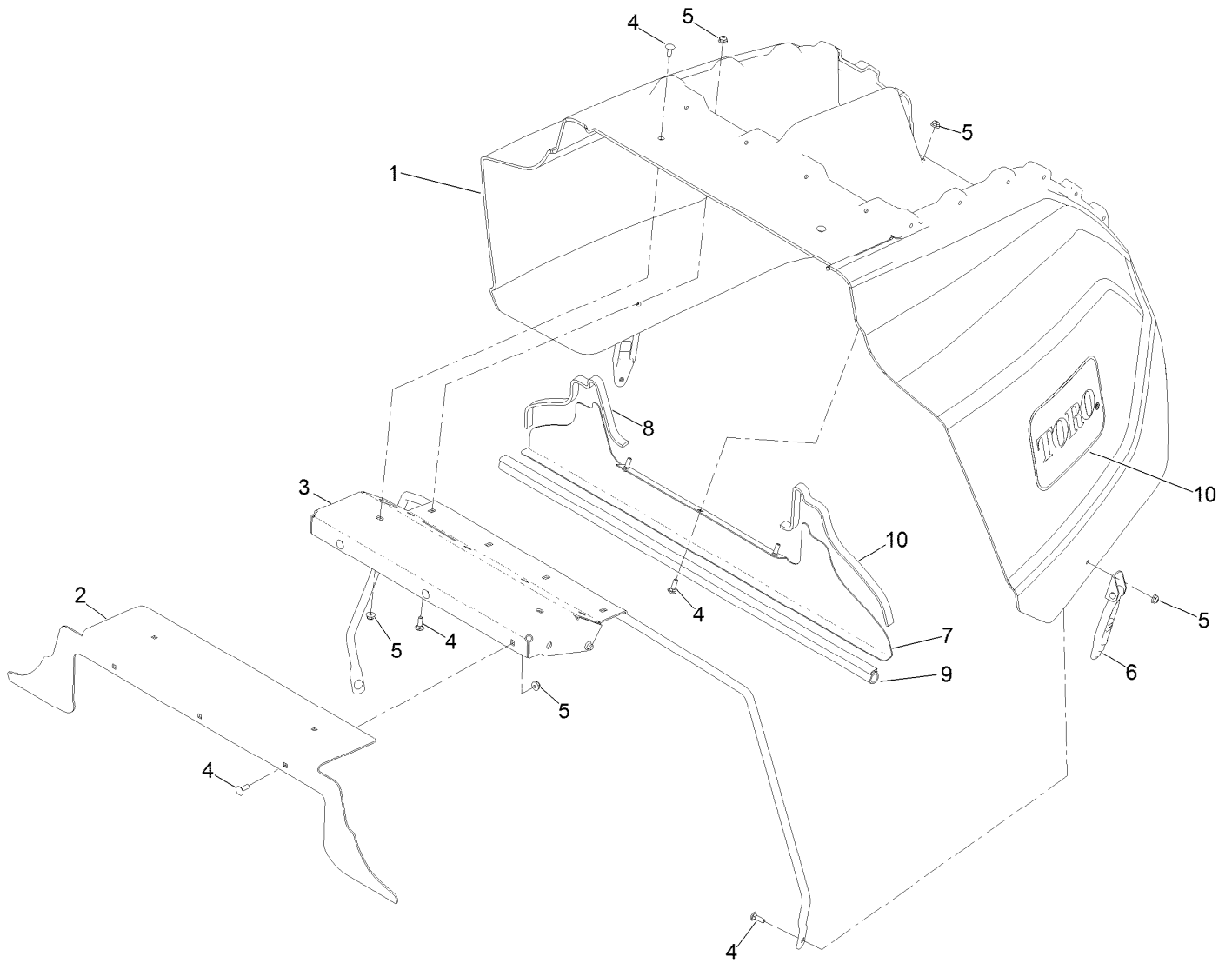
# Hood and Covers Assembly



## Hood and Covers Assembly (continued)

<i>Ref.</i>	<i>Part Number</i>	<i>Qty.</i>	<i>Description</i>	<i>Ref.</i>	<i>Part Number</i>	<i>Qty.</i>	<i>Description</i>
2	126-8655	1	Cover-Tank, RH	10	3256-4	2	Washer-Flat
3	126-8656	1	Cover-Tank, LH	11	142-6010	1	Prop-Hood
4	68-3640	1	Decal	12	3290-255	3	Pin-Cotter, Hair
6	142-6063	1	ASM, Hood Lzsd	14	126-8672	2	Latch-Catch
7	107069	1	Clip	15	32144-10	2	Screw-HWH
8	126-8216	12	Screw-Torx	16	142-4742	1	ASM, Hood-Intake
9	3256-71	4	Washer-Flat				

# Hood Assembly No. 142-6063

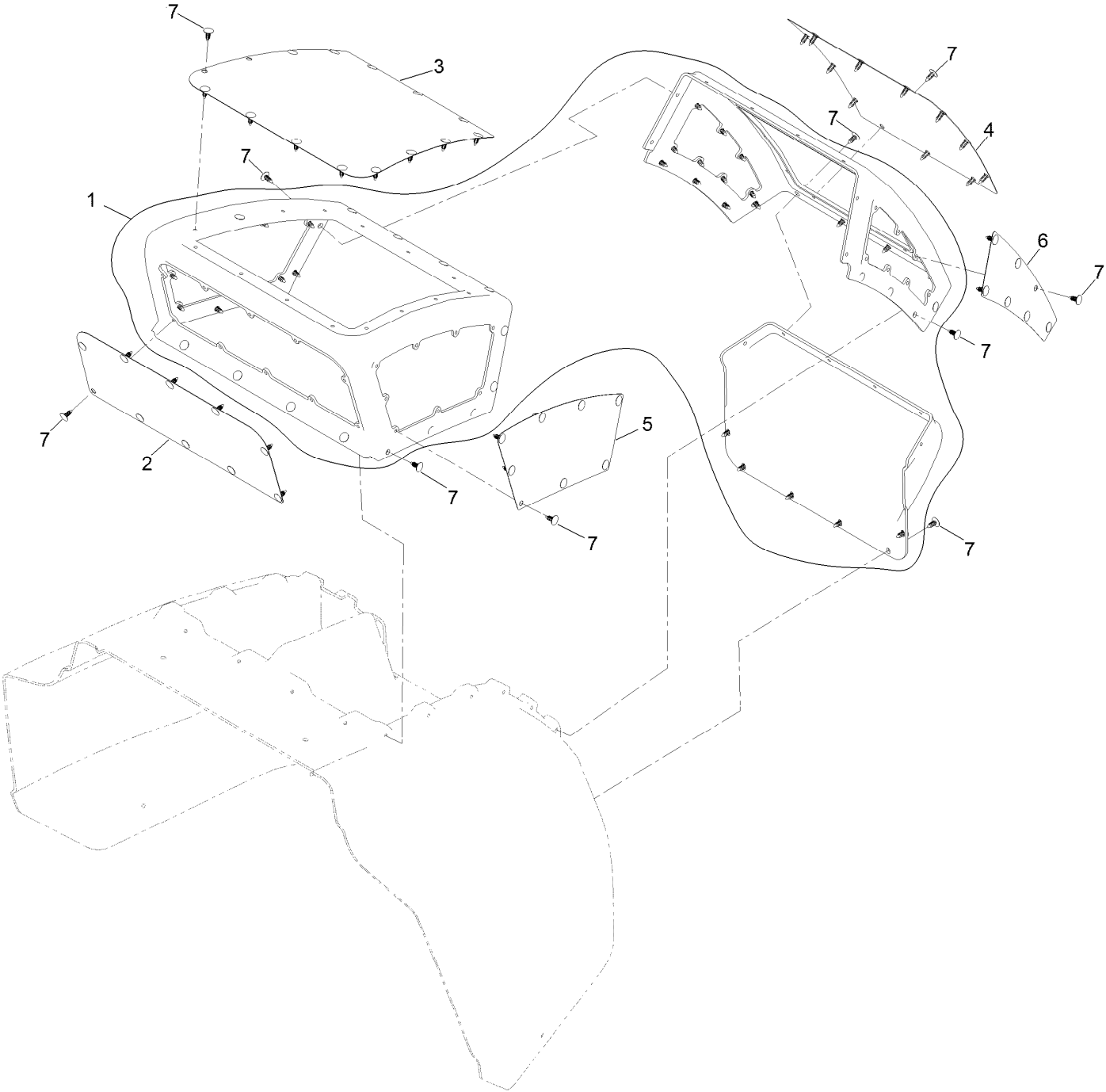


## Hood Assembly No. 142-6063 (continued)

<i>Ref.</i>	<i>Part Number</i>	<i>Qty.</i>	<i>Description</i>
1	135-7929	1	Hood
2	135-6750-03	1	Block Off-Hood
3	126-6524-03	1	Support-Hood
4	3229-1	14	Screw-CARR
5	104-7201	14	Nut-HF, NI

<i>Ref.</i>	<i>Part Number</i>	<i>Qty.</i>	<i>Description</i>
6	103-2898	2	Latch-Rubber
7	135-7572-03	1	Plate-Seal
8	135-7573	2	Seal-Foam
9	126-6846	1	Seal-Bulb
10	62-7400	2	Decal-Toro Logo

# Hood Intake Assembly No. 142-4742

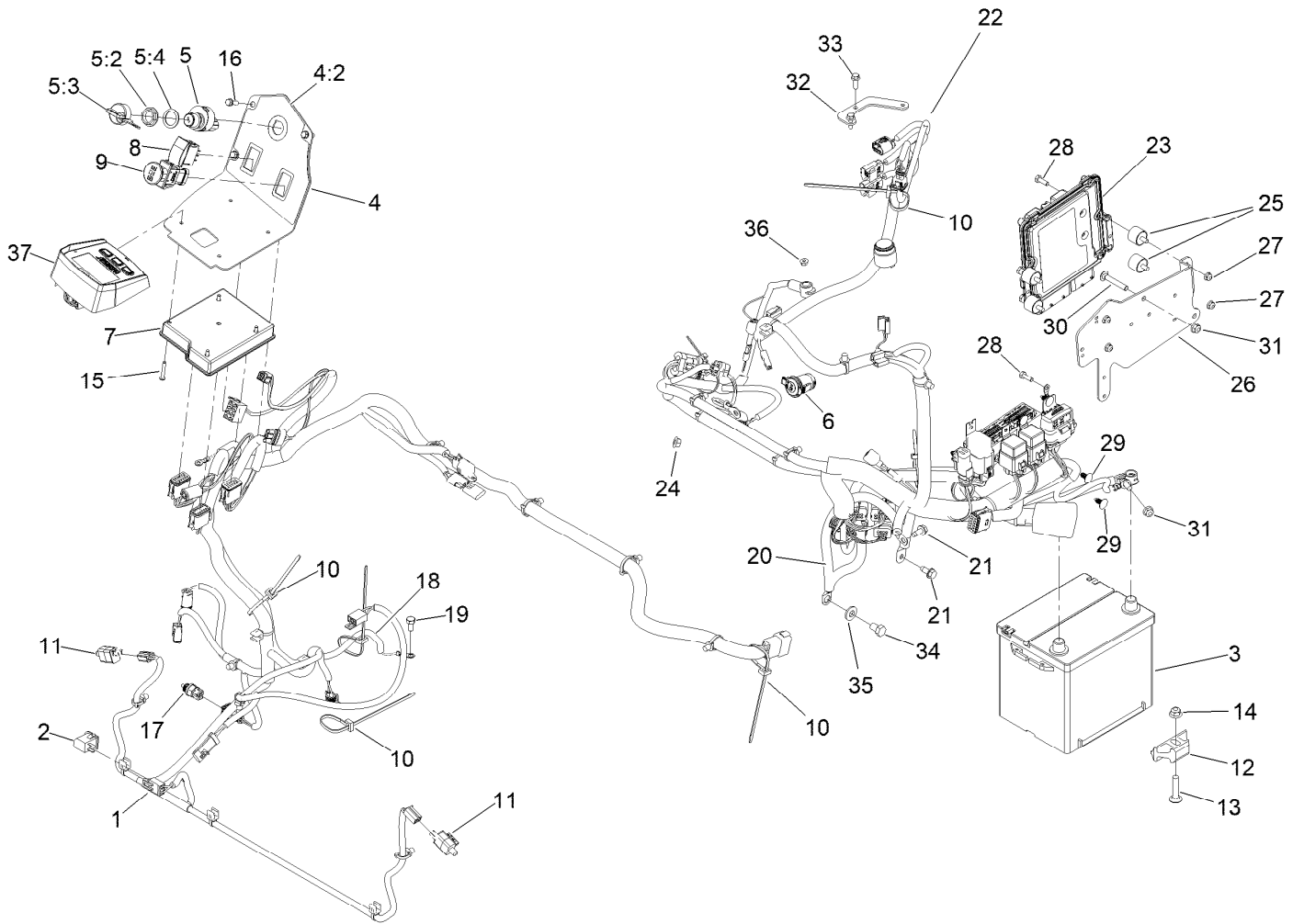




## Hood Intake Assembly No. 142-4742 (continued)

<i>Ref.</i>	<i>Part Number</i>	<i>Qty.</i>	<i>Description</i>	<i>Ref.</i>	<i>Part Number</i>	<i>Qty.</i>	<i>Description</i>
1	142-4488	1	Hood-Intake	5	142-4092-03	2	Screen-Intake [black]
2	142-3516-03	1	Screen-Intake [black]	6	142-4093-03	2	Screen-Intake [black]
3	142-4090-03	1	Screen-Intake [black]	7	117-2382	120	Plug-Plastic
4	142-4091-03	1	Screen-Intake [black]				

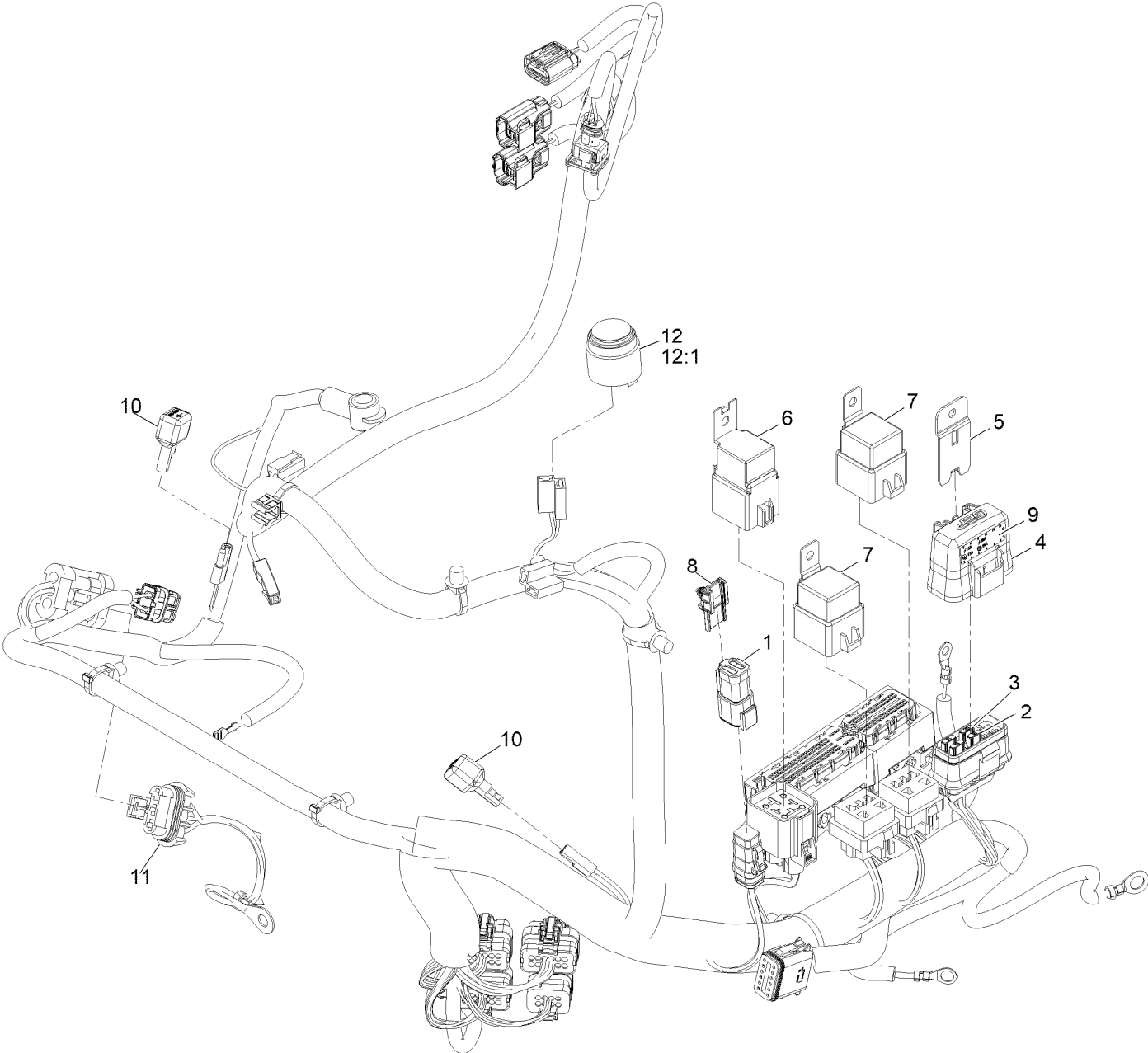
# Electrical Assembly



## Electrical Assembly (continued)

<i>Ref.</i>	<i>Part Number</i>	<i>Qty.</i>	<i>Description</i>	<i>Ref.</i>	<i>Part Number</i>	<i>Qty.</i>	<i>Description</i>
1	126-8269	1	Harness-Wire	17	126-7698	1	Sensor-Temperature
2	82-2190	1	Switch-Bail	18	135-3998	1	Harness-Wire, Jumper
3	106-5187	1	Battery, 525 CCA W/O Electrolyte	19	99-5132	1	Bolt
4	135-6161	1	Console ASM	20	126-7406	1	Cable-Battery
4:2	135-0398	1	Decal-Console	21	32144-70	2	Screw-HWHTF
5	126-6285	1	Ignition Switch ASM	22	142-7958	1	Harness-Wire, Yanmar
5:2	108-8660	1	Nut-Mounting	23	121-5592	1	Electronic Control Unit
5:3	106-5270	1	Ignition Key Set	24	127-2371	1	Nut-HF
5:4	108-8659	1	Washer-Backup	25	125-2674	4	Mount-Cylindrical
6	126-6499	1	Port-Power, 12V	26	126-8706-03	1	Mount-Control Unit, Engine
7	135-3427	1	Module-Mcu	27	104-7201	4	Nut-HF, NI
8	100-1535	1	Switch-Rocker, (On)-Off-(On)	28	321-4	4	Screw-HH
9	126-6187	1	Switch-PTO, Sealed	29	117-2382	4	Plug-Plastic
10	3290-378	6	Tie-Cable	30	3230-6	2	Bolt-CARR
11	110-6765	2	Switch	31	104-8300	4	Nut-HF, NI
12	138-6335	1	Retainer-Battery	32	135-0071	1	Bracket-Wiring, Engine
13	3231-5	1	Screw-CARR	33	33103-020	2	Screw-HHF
14	104-8301	1	Nut-HF, NI	34	33115-016	1	Screw-HH
15	126-5092	4	Screw-PPH	35	98-5975	1	Washer-Belleville
16	32105-15	3	Screw-HWH	36	33003-00	1	Nut-HF
				37	126-9976	1	Module-Horizon

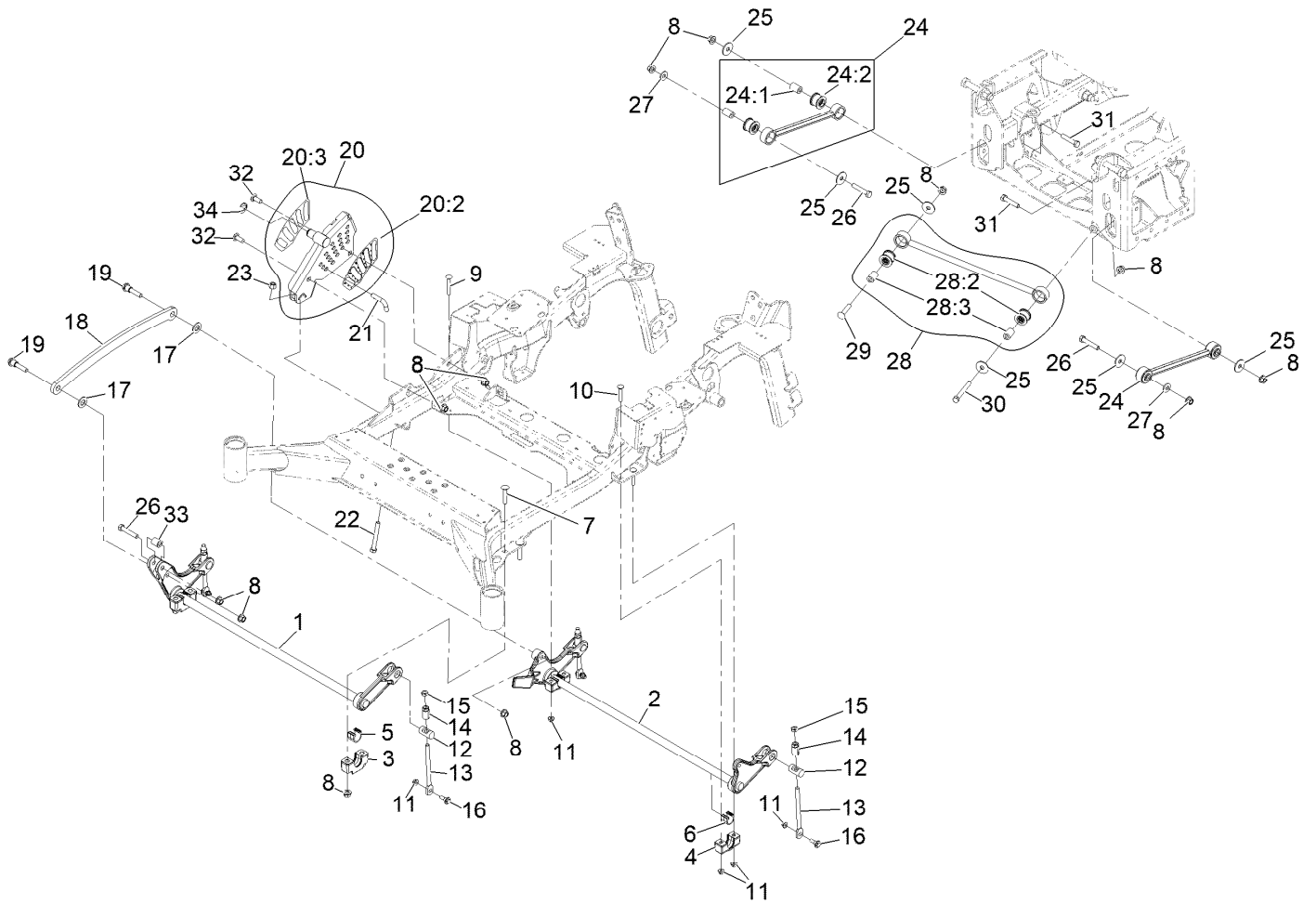
# Wire Harness Assembly No. 142-7958



## Wire Harness Assembly No. 142-7958 (continued)

<i>Ref.</i>	<i>Part Number</i>	<i>Qty.</i>	<i>Description</i>	<i>Ref.</i>	<i>Part Number</i>	<i>Qty.</i>	<i>Description</i>
1	32160-359	1	Connector (6M)	8	32180-103	1	Clip-Connector
2	121-8867	3	Fuse-Mini Blade, 15 Amp	9	126-9351	1	Decal-Fuse
3	121-8869	1	Fuse-Mini Blade, 25 Amp	10	100-4918	2	Diode
4	32180-176	1	Cover-Block, Fuse	11	99-3441	1	Harness-Wire, Fusible Link
5	32180-177	1	Clip-Mounting	12	80-9330	1	Audio Alarm ASM
6	127-7514	1	Relay-70A	12:1	104-5107	1	Nut-Plastic, Knurled
7	99-7430	2	Relay-Mini				

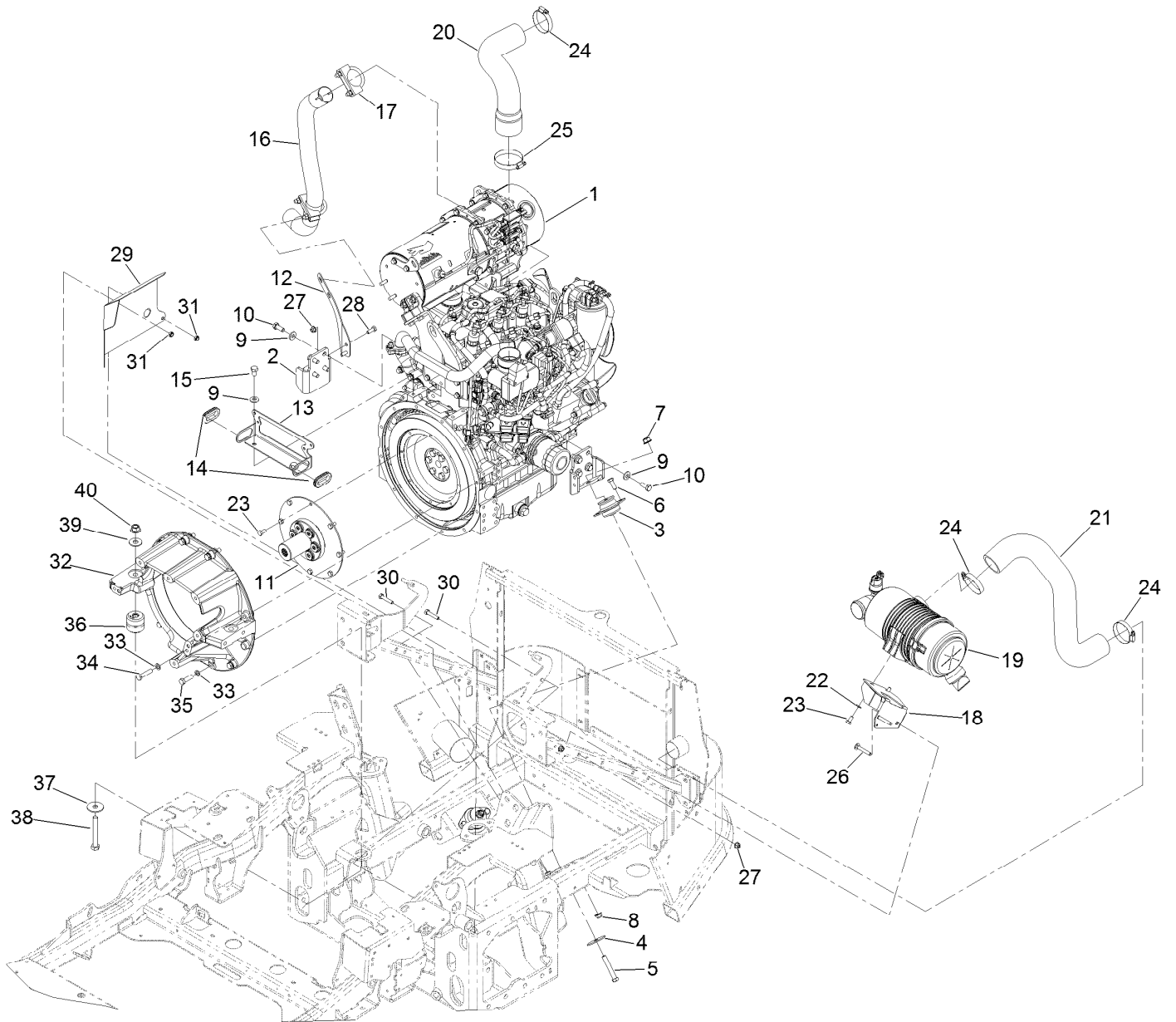
# Deck Lift Assembly



## Deck Lift Assembly (continued)

<i>Ref.</i>	<i>Part Number</i>	<i>Qty.</i>	<i>Description</i>	<i>Ref.</i>	<i>Part Number</i>	<i>Qty.</i>	<i>Description</i>
1	135-1216-03	1	Lift-Deck, Front	20:2	126-9275	1	Decal-HOC
2	116-2645-03	1	Lift-Deck, Rear	20:3	135-1432	1	Decal-HOC, Outer
3	109-9409	2	Support-Bearing, Cross Shaft (Front)	21	116-5584	1	Pin-HOC
4	127-0553	2	Support-Bearing, Cross Shaft (Rear)	22	116-0559	1	Bolt-TAP
5	109-9410	2	Bearing-Cross Shaft, Front	23	3296-23	1	Nut-Lock, NI
6	109-7173	2	Bearing-Cross Shaft, Rear	24	142-4003	2	Deck Strut ASM 85A
7	116-1700	4	Bolt-CARR	24:1	109-5010	2	Spacer
8	99-5107	15	Nut-Lock	24:2	135-2466	2	Bushing-Rubber
9	3231-9	1	Screw-CARR	25	86-1990	6	Washer-Thrust
10	3231-7	3	Screw-CARR	26	325-11	3	Screw-HH
11	104-8301	8	Nut-HF, NI	27	1-513435	2	Washer-Spring
12	109-8353	4	Trunnion	28	109-5013	1	Panhard Rod ASM
13	109-8007	4	Link-Adjuster, Deck Lift	28:2	109-5009	2	Bushing-Suspension, Rubber
14	109-7840	4	Adjuster-Lift, Deck	28:3	109-5010	2	Spacer
15	3218-5	4	Nut-Jam	29	3233-34	1	Screw-CARR
16	109-9840	4	Screw-Shoulder, HHF	30	325-17	1	Screw-HH
17	3256-28	2	Washer-Flat	31	325-10	2	Screw-HH
18	116-0797-03	1	Link-Lift, Deck	32	3233-26	2	Screw-CARR, Shortneck
19	116-2022	2	Screw-HHF, Shoulder	33	135-1215	1	Spacer-Pivot
20	126-7866	1	HOC ASM	34	32151-91	1	Ring-Retaining

# Engine Assembly

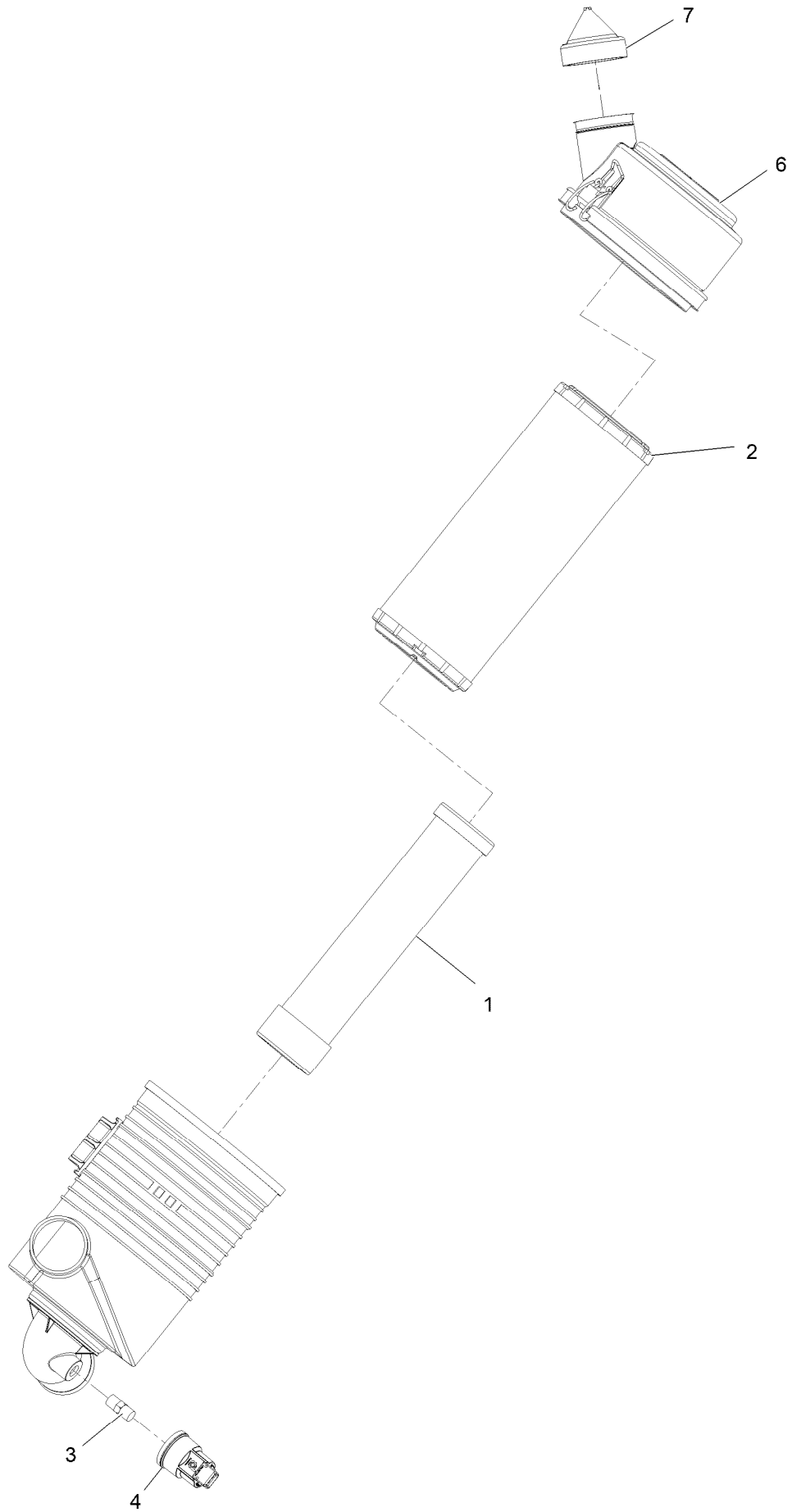




## Engine Assembly (continued)

<i>Ref.</i>	<i>Part Number</i>	<i>Qty.</i>	<i>Description</i>	<i>Ref.</i>	<i>Part Number</i>	<i>Qty.</i>	<i>Description</i>
1	138-6927	1	Engine-Yanmar, 3Tnv88C-Dtr5	21	120-9177	1	Hose-Air
2	120-9180-03	2	Mount-Motor, Upper	22	3290-475	2	Washer-Belleville
3	142-8456	2	Mount- Isolator, Engine	23	99-5132	10	Bolt
4	87-5100	2	Washer-Snubbing	24	2412-130	3	Clamp-Hose
5	324-11	2	Screw-HH	25	2412-125	1	Clamp-Hose
6	323-6	4	Screw-HH	26	3230-6	2	Bolt-CARR
7	114-8417	2	Nut-HF, NI	27	104-8300	4	Nut-HF, NI
8	104-8301	4	Nut-HF, NI	28	322-4	2	Screw-HH
9	98-5975	10	Washer-Belleville	29	135-3946-03	1	Deflector-Air
10	33115-025	8	Screw-HH	30	322-8	2	Screw-HH
11	120-9131	1	Coupling-Flywheel	31	3296-47	2	Nut-Lock,NI
12	126-8587-03	1	Bracket-Mount	32	125-2836	1	Housing-Flywheel
13	126-7602-03	1	Bracket-Guide	33	48-9590	9	Washer-Lock
14	240-7	2	Grommet-Rubber	34	33115-045	7	Screw-HH
15	33115-016	2	Screw-HH	35	33115-035	2	Screw-HH
16	126-7652	1	Tube-Exhaust	36	142-8457	2	Mount-Isolator
17	18-2130	2	Clamp	37	86-1990	2	Washer-Thrust
18	126-8730-03	1	Bracket-Cleaner, Air	38	325-15	2	Screw-HH
19	142-3554	1	ASM, Hdac	39	3256-6	2	Washer-Flat
20	120-9199	1	Hose-Air	40	99-5107	2	Nut-Lock

# HDAC Assembly No. 142-3554

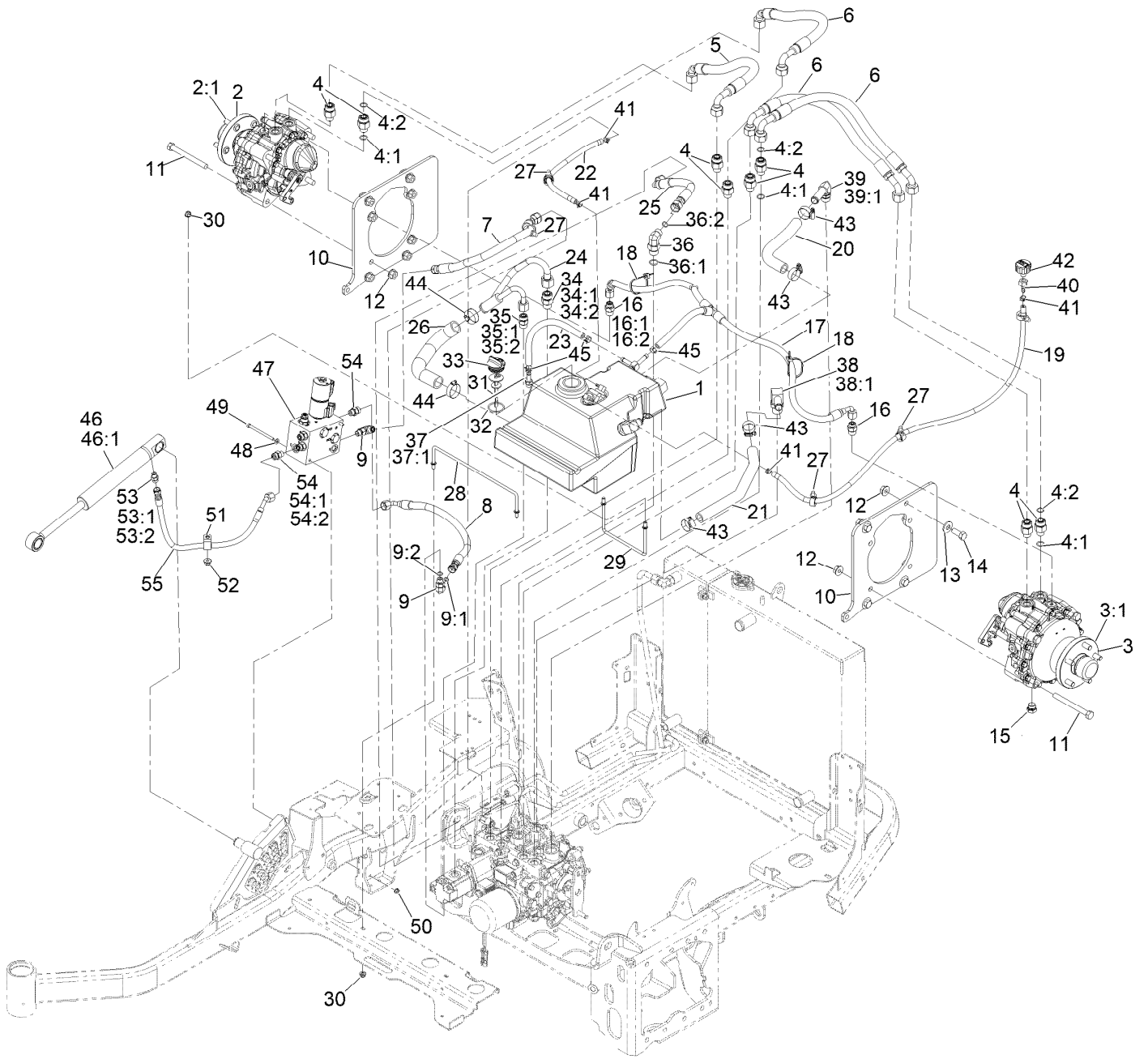


## HDAC Assembly No. 142-3554 (continued)

<i>Ref.</i>	<i>Part Number</i>	<i>Qty.</i>	<i>Description</i>
1	103-1326	1	Filter, Safety Air
2	108-3810	1	Filter-Air
3	94-1416	1	Adapter-Indicator

<i>Ref.</i>	<i>Part Number</i>	<i>Qty.</i>	<i>Description</i>
4	126-7651	1	Indicator-Mini
6	98-9771	1	Cover ASM
7	AUA189052	1	Valve-Dust-Air Cleaner

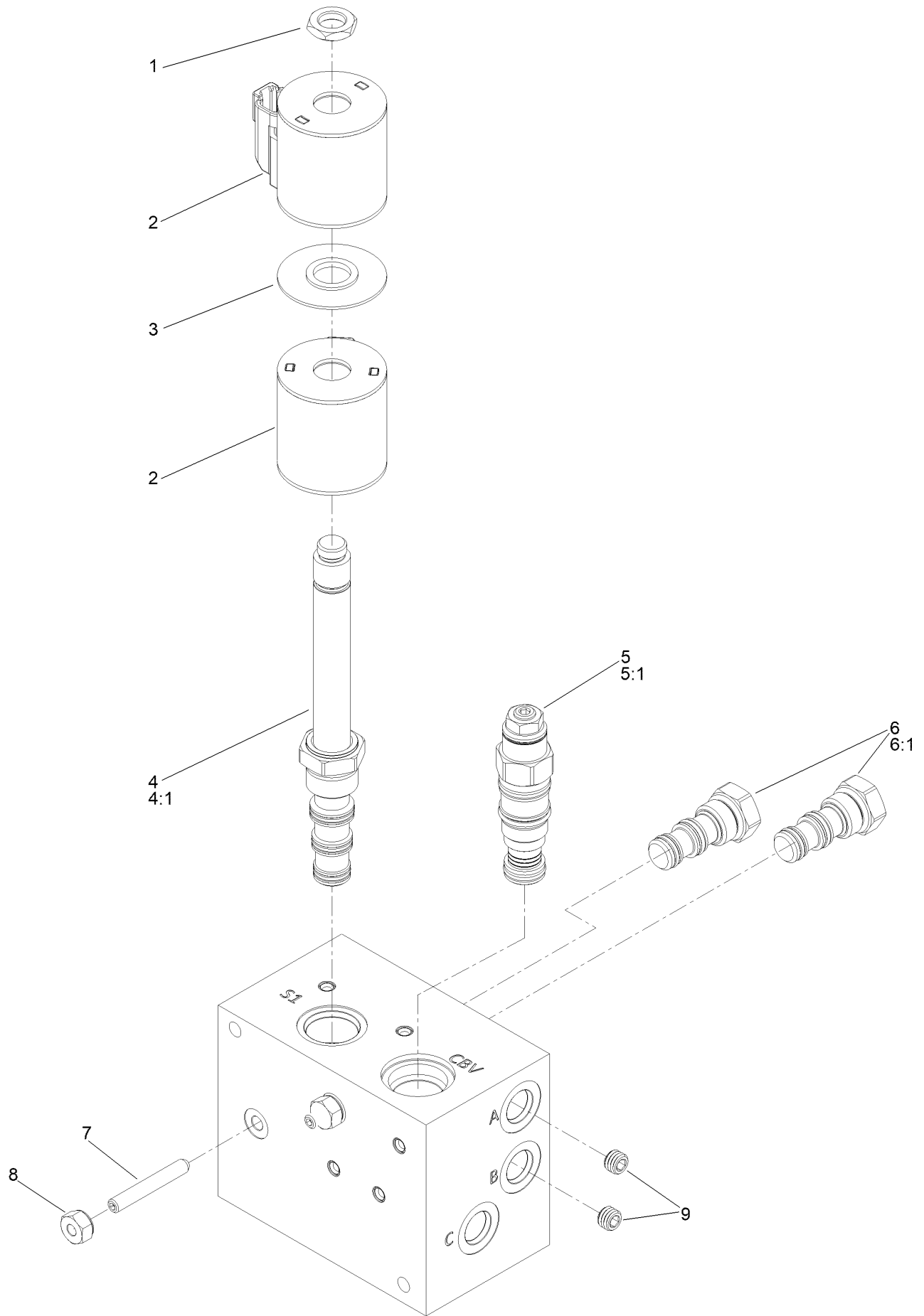
# Hydraulic Drive Assembly



## Hydraulic Drive Assembly (continued)

<i>Ref.</i>	<i>Part Number</i>	<i>Qty.</i>	<i>Description</i>	<i>Ref.</i>	<i>Part Number</i>	<i>Qty.</i>	<i>Description</i>
1	142-5034	1	HYD Reservoir ASM	32	94-8166	1	O-Ring
2	126-8133	1	Motor-HYD, RH	33	93-7498	1	Plug-Plastic
2:1	135-5333	1	5 Stud Wheel Hub Kit	34	340-7	1	Fitting-Straight
3	126-8134	1	Motor-HYD, LH	34:1	237-65	1	O-Ring
3:1	135-5333	1	5 Stud Wheel Hub Kit	34:2	237-80	1	O-Ring
4	340-155	8	Fitting-Straight	35	340-4	1	Fitting-Straight
4:1	237-79	1	O-Ring	35:1	237-30	1	O-Ring
4:2	237-151	1	O-Ring	35:2	237-79	1	O-Ring
5	126-8686	1	Hose ASM, HYD	36	340-105	1	Fitting-Elbow, 90 DEG
6	126-8687	3	Hose ASM, HYD	36:1	237-80	1	O-Ring
7	126-8685	1	Hose ASM	36:2	237-30	1	O-Ring
8	126-8684	1	Hose ASM	37	103-1912	1	Adapter-Straight
9	340-77	2	Fitting-Elbow, 90 DEG	37:1	237-42	1	O-Ring
9:1	237-22	1	O-Ring	38	353-987	1	Fitting-Elbow, 90
9:2	237-42	1	O-Ring	38:1	237-81	1	O-Ring
10	135-1202-03	2	Plate-Motor	39	87-8170	1	Fitting-90
11	325-19	8	Screw-HH	39:1	237-80	1	O-Ring
12	32128-49	16	Nut-HHF	40	354-95	1	Fitting-Straight
13	1-513435	8	Washer-Spring	41	2412-98	4	Clamp-Hose
14	325-6	8	Screw-HH	42	68-6150	1	Breather
15	142-2435	2	Plug-Magnetic	43	2412-129	4	Clamp-Hose
16	340-3	2	Fitting-Straight	44	2412-34	2	Clamp-Hose
16:1	237-22	1	O-Ring	45	103-1988	3	Clamp-Hose
16:2	237-79	1	O-Ring	46	126-7841	1	Lift Cylinder ASM
17	135-3731	1	Tee Hose ASM	46:1	142-2767	1	Kit, CYL Repair
18	3290-378	2	Tie-Cable	47	142-4922	1	Valve-Lift And Hold
19	126-6776	1	Hose	48	3256-16	2	Washer-Flat
20	126-6767	1	Hose-Return	49	321-19	2	Screw-HH
21	126-6768	1	Hose-Return	50	32128-33	2	Nut-HF
22	126-6778	1	Hose	51	1-633396	1	Clip-Loom
23	126-6766	1	Hose	52	104-8301	1	Nut-HF, NI
24	126-8688	1	Tube ASM	53	126-8692	1	Fitting-HYD, Straight
25	126-8682	1	Hose ASM	53:1	237-78	1	O-Ring
26	126-6774	1	Hose-Suction	53:2	237-21	1	O-Ring
27	32180-030	5	Clip-Tie	54	340-2	4	Fitting-Straight
28	126-7547	1	Rod-Support, HYD Tank	54:1	237-22	1	O-Ring
29	126-7546	1	Rod-Support, HYD Tank	54:2	237-42	1	O-Ring
30	104-8300	4	Nut-HF, NI	55	126-8683	1	Hose ASM
31	112-6365	1	Dipstick				

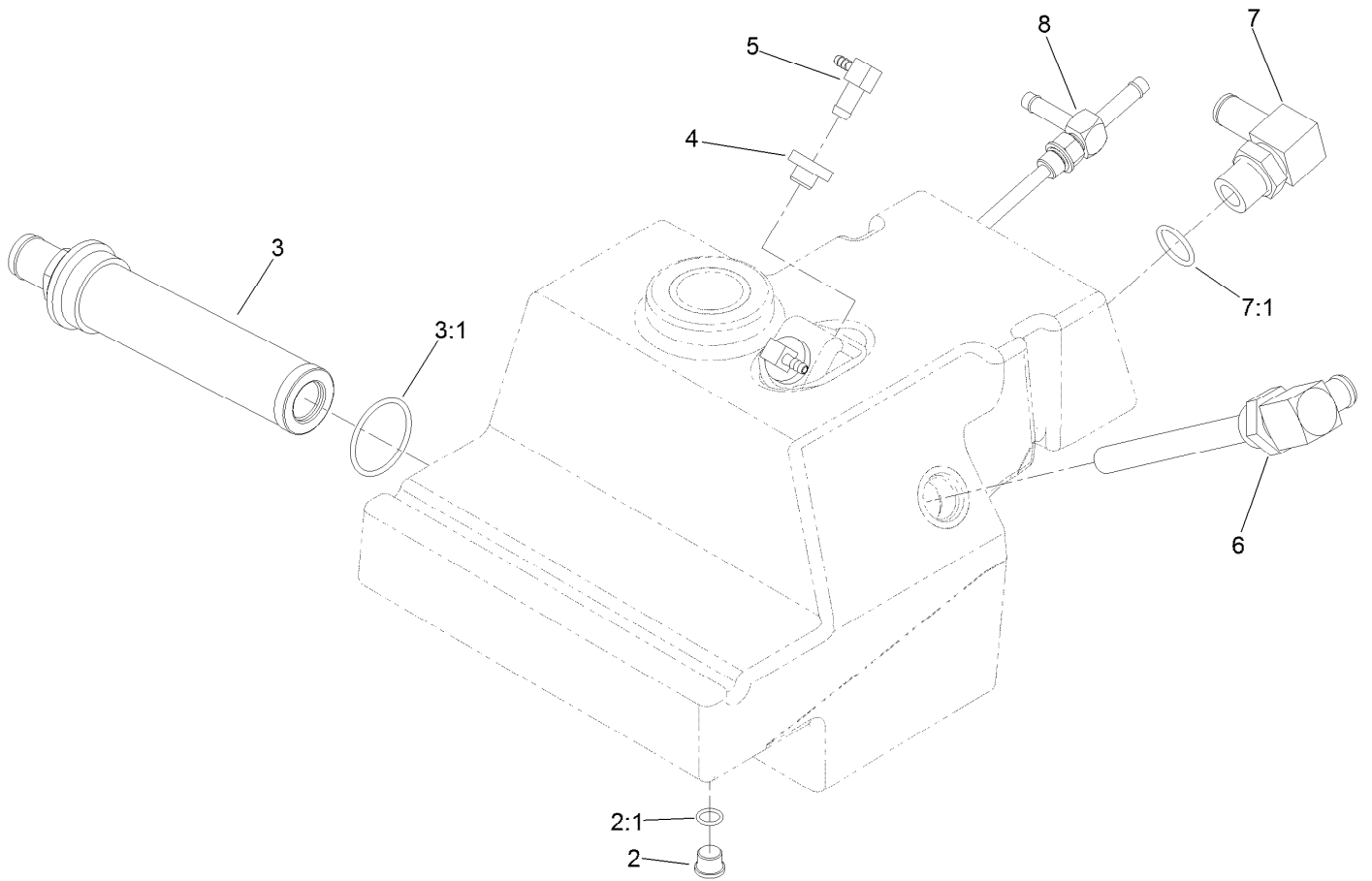
# Lifand Hold Valve Assembly No. 142-4922



# Lifand Hold Valve Assembly No. 142-4922 (continued)

<i>Ref.</i>	<i>Part Number</i>	<i>Qty.</i>	<i>Description</i>	<i>Ref.</i>	<i>Part Number</i>	<i>Qty.</i>	<i>Description</i>
1	110-2634	1	Nut-Coil	5:1	114-5083	1	Seal Kit
2	115-3021	2	Coil-12V	6	142-4923	2	Po Check Valve
3	117-8316	1	Spacer-E Coil	6:1	142-7526	1	Seal Kit
4	135-4546	1	Solenoid Valve ASM	7	135-4544	2	Screw-Set
4:1	110-8908	1	Spool Valve Seal Kit	8	135-4545	2	Nut-Sealing, Hex
5	135-4543	1	Valve-Counterbalance	9	110-8889	2	Plug-Orifice (0.020)

# Hydraulic Reservoir Assembly No. 142-5034

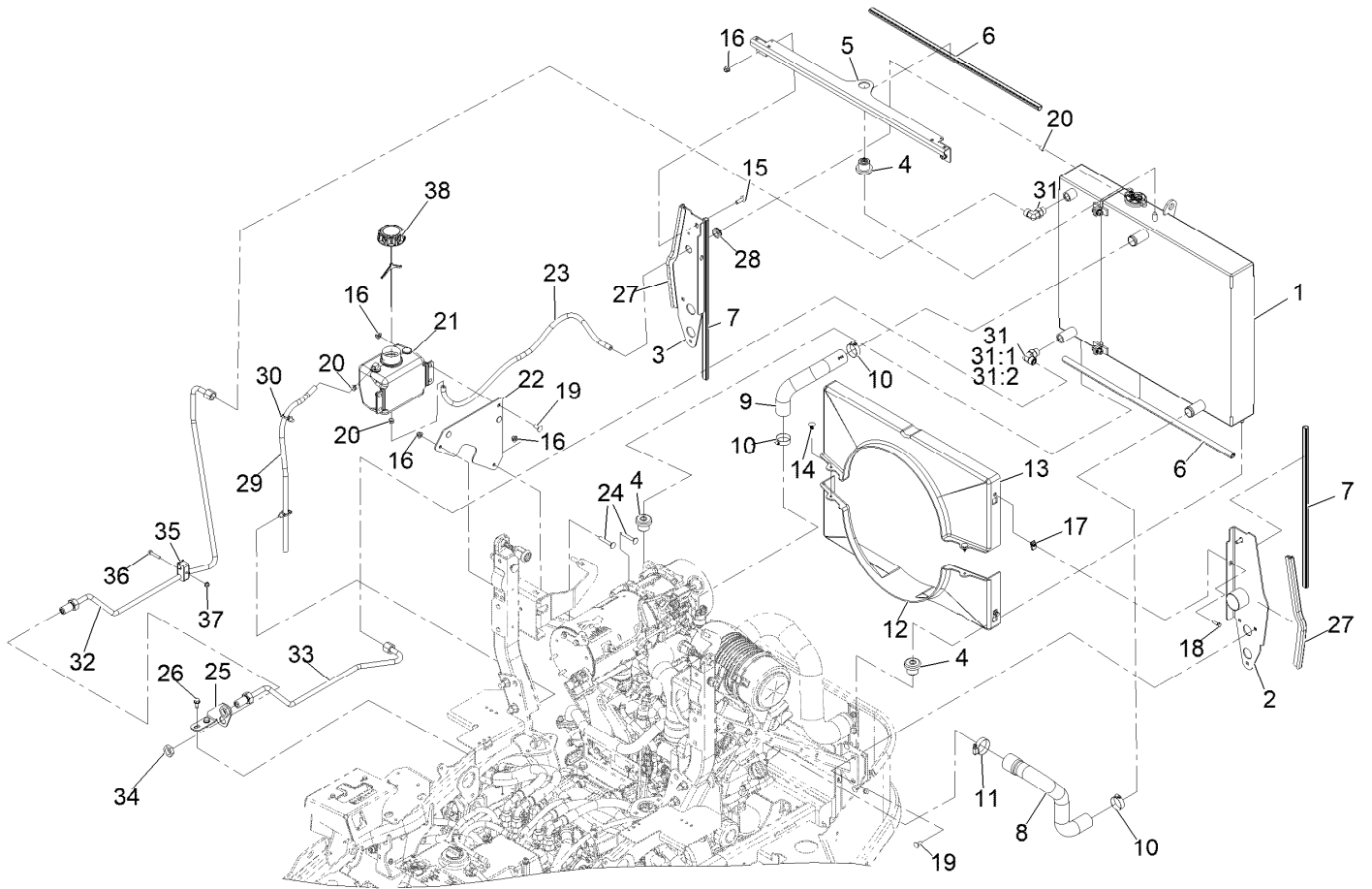




# Hydraulic Reservoir Assembly No. 142-5034 (continued)

<i>Ref.</i>	<i>Part Number</i>	<i>Qty.</i>	<i>Description</i>	<i>Ref.</i>	<i>Part Number</i>	<i>Qty.</i>	<i>Description</i>
2	353-989	1	Plug-Hex, Hollow	5	104-5228	2	Fitting-Elbow, 90 DEG
2:1	237-42	1	O-Ring	6	126-6782	1	Fitting-Standpipe
3	104-7546	1	Tank Strainer ASM	7	353-987	1	Fitting-Elbow, 90
3:1	340-136	1	O-Ring	7:1	237-81	1	O-Ring
4	46-6560	2	Bushing	8	135-3740	1	Fitting-Tee, Drop Tube

# Cooling Assembly



## Cooling Assembly (continued)

<i>Ref.</i>	<i>Part Number</i>	<i>Qty.</i>	<i>Description</i>	<i>Ref.</i>	<i>Part Number</i>	<i>Qty.</i>	<i>Description</i>
1	121-3330	1	Cooling ASM	21	135-4692	1	Tank-Overflow, W/Cap
2	126-9026-03	1	Support-Radiator, LH	22	126-9178-03	1	Bracket-Bottle
3	126-9028-03	1	Support-Radiator, RH	23	109-0284	1	Hose-Fuel Line 29"
4	119-1422	3	Mount-Isolator	24	3230-6	2	Bolt-Carriage 3/16-18 X 2
5	120-0068-03	1	Bracket-Cooling, Top	25	126-6781-03	1	Bracket-Bulkhead
6	119-1427	2	Seal-Bulb	26	32144-70	2	Screw-HWH 5/16-18 X 3/4 Tf
7	119-1426	2	Seal-Bulb	27	126-6847	2	Seal-Bulb
8	121-3322	1	Hose-Radiator, Lower	28	237-124	1	Grommet
9	121-3321	1	Hose-Radiator, Upper	29	110-4103	1	Hose-Fuel
10	2412-34	3	Clamp-Hose	30	32180-030	2	Clip-Tie
11	2412-130	1	Clamp-Hose	31	340-98	2	Fitting-Elbow, 90 DEG
12	121-3311	1	Shroud-Bottom	31:1	237-79	1	O-Ring
13	121-3312	1	Shroud-Top	31:2	237-30	1	O-Ring
14	117-2382	2	Plug-Plastic	32	126-8690	1	Hydraulic Tube ASM
15	3234-29	2	Screw-HH Flg 5/16-18 X 1	33	126-8691	1	Hydraulic Tube ASM
16	104-8300	13	Nut-Nyloc 5/16-18 Flg	34	340-127	2	Nut-Bulkhead
17	107069	4	Nut-Retainer-Panel 1/4-20	35	135-0641	1	Clamp-Twin
18	32105-15	4	Screw-Machine 1/4-20 X 3/4	36	321-13	1	Screw-HH 1/4-20 X 1 3/8
19	3230-23	9	Bolt-Carriage 5/16-18 X 3/4 Short Neck	37	104-7201	1	Nut-Nyloc 1/4-20 Flg
20	2412-98	3	Clamp-Hose	38	135-4693	1	Cap-W/Tether

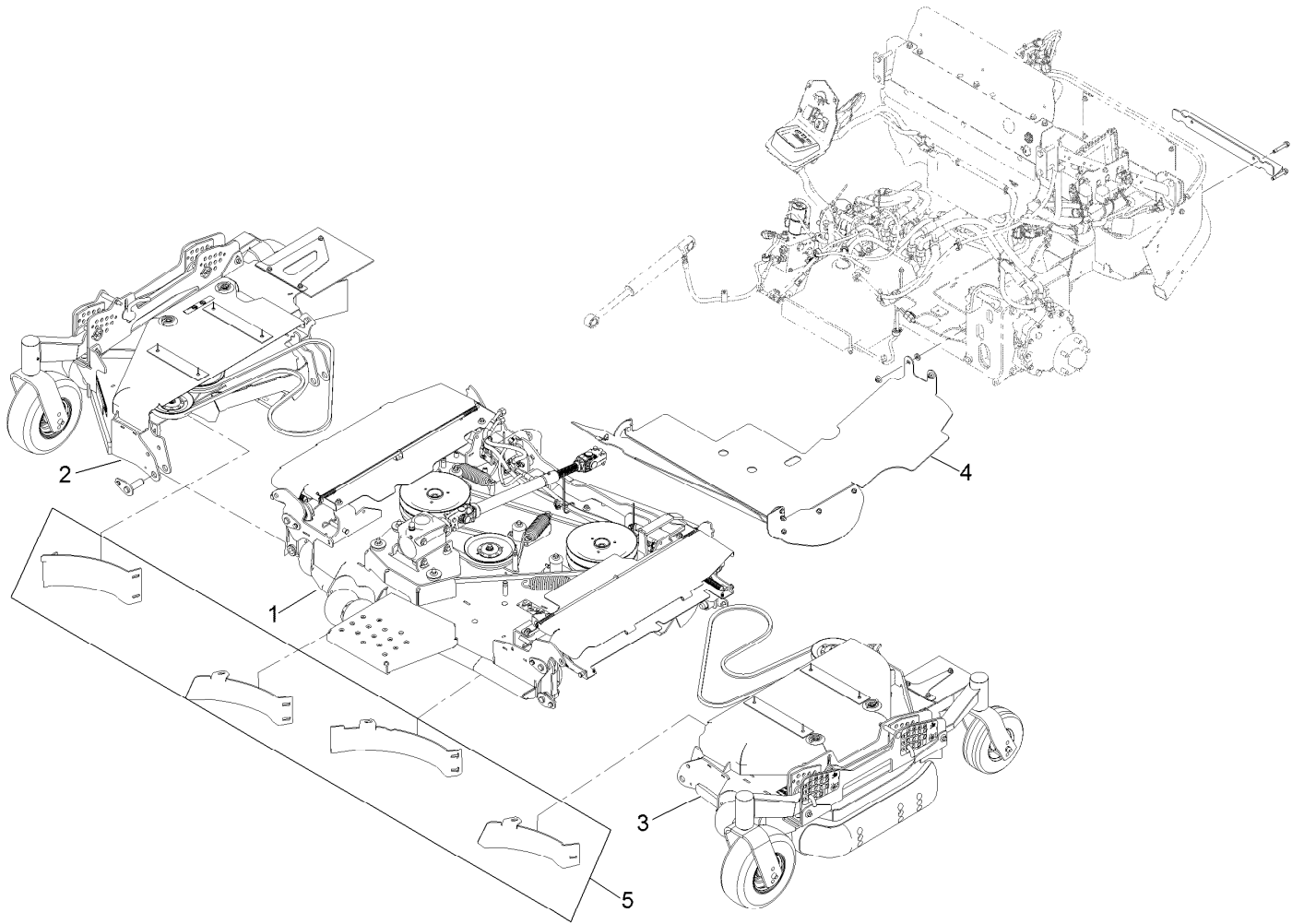


## Cooling Assembly No. 121-3330 (continued)

<i>Ref.</i>	<i>Part Number</i>	<i>Qty.</i>	<i>Description</i>	<i>Ref.</i>	<i>Part Number</i>	<i>Qty.</i>	<i>Description</i>
1	121-3328	1	Radiator	6	3217-6	3	Nut-Hex
2	121-3329	1	Oil Cooler	7	119-1430	1	Radiator Cap ASM
3	322-5	3	Screw-HH	7:1		1	Cap-Radiator ●
4	3256-23	6	Washer-Plain	7:1:1	117-3276	1	Decal-Danger
5	3253-4	3	Washer-Lock	8	99-8551	1	Plug-Pipe

● Not serviced separately

# Deck, Discharge Tunnel and Mulch Kit Assembly

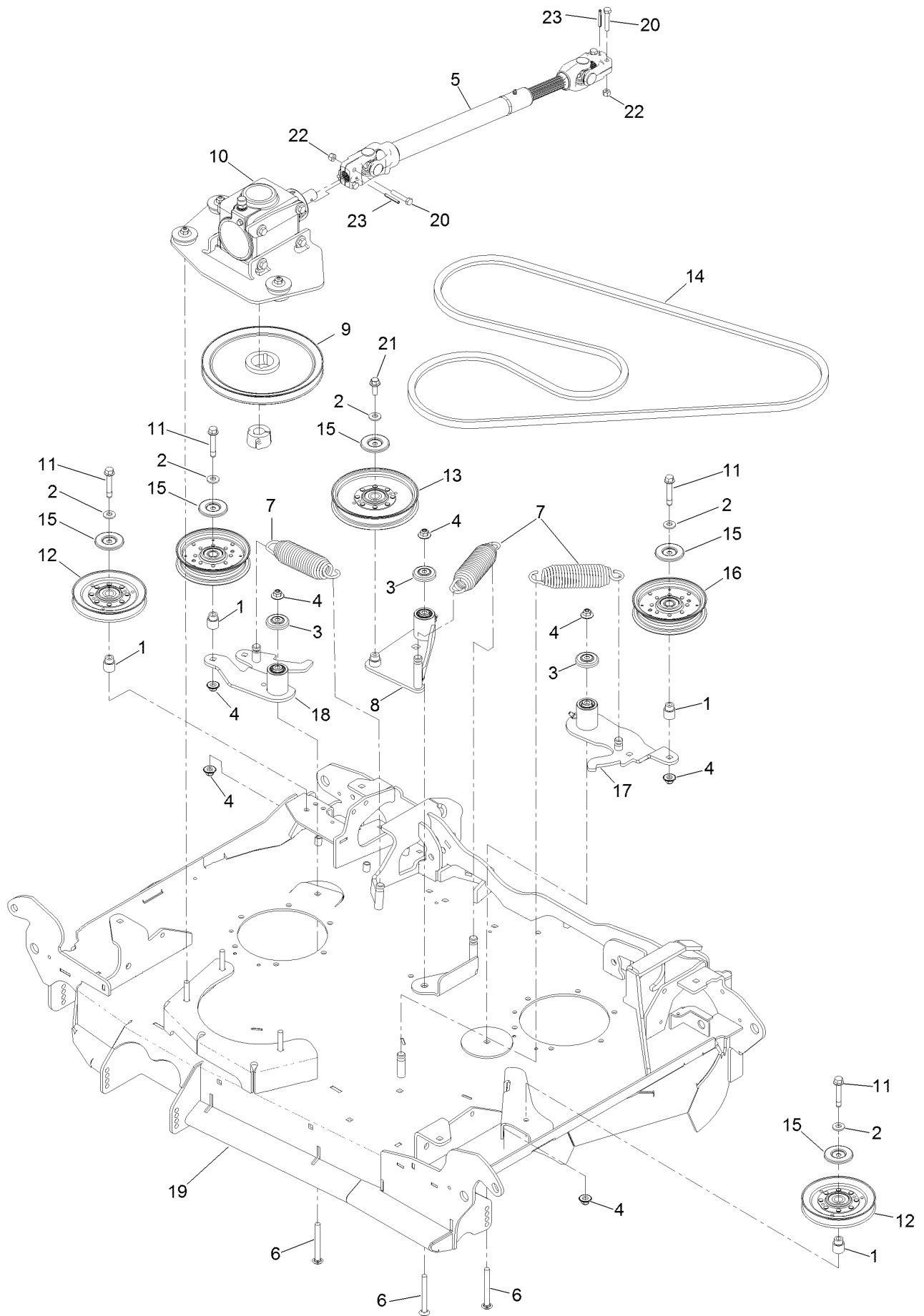


## Deck, Discharge Tunnel and Mulch Kit Assembly (continued)

<i>Ref.</i>	<i>Part Number</i>	<i>Qty.</i>	<i>Description</i>	<i>Ref.</i>	<i>Part Number</i>	<i>Qty.</i>	<i>Description</i>
1		1	ASM-Deck, Ctr ●	4		1	Discharge Tunnel ASM ●
2		1	ASM-Deck, RH Wing 96 ●	5	135-2449	1	Mulch Kit
3		1	ASM-Deck, LH Wing 96 ●				

● Not serviced separately

# Center Deck and Drive Assembly

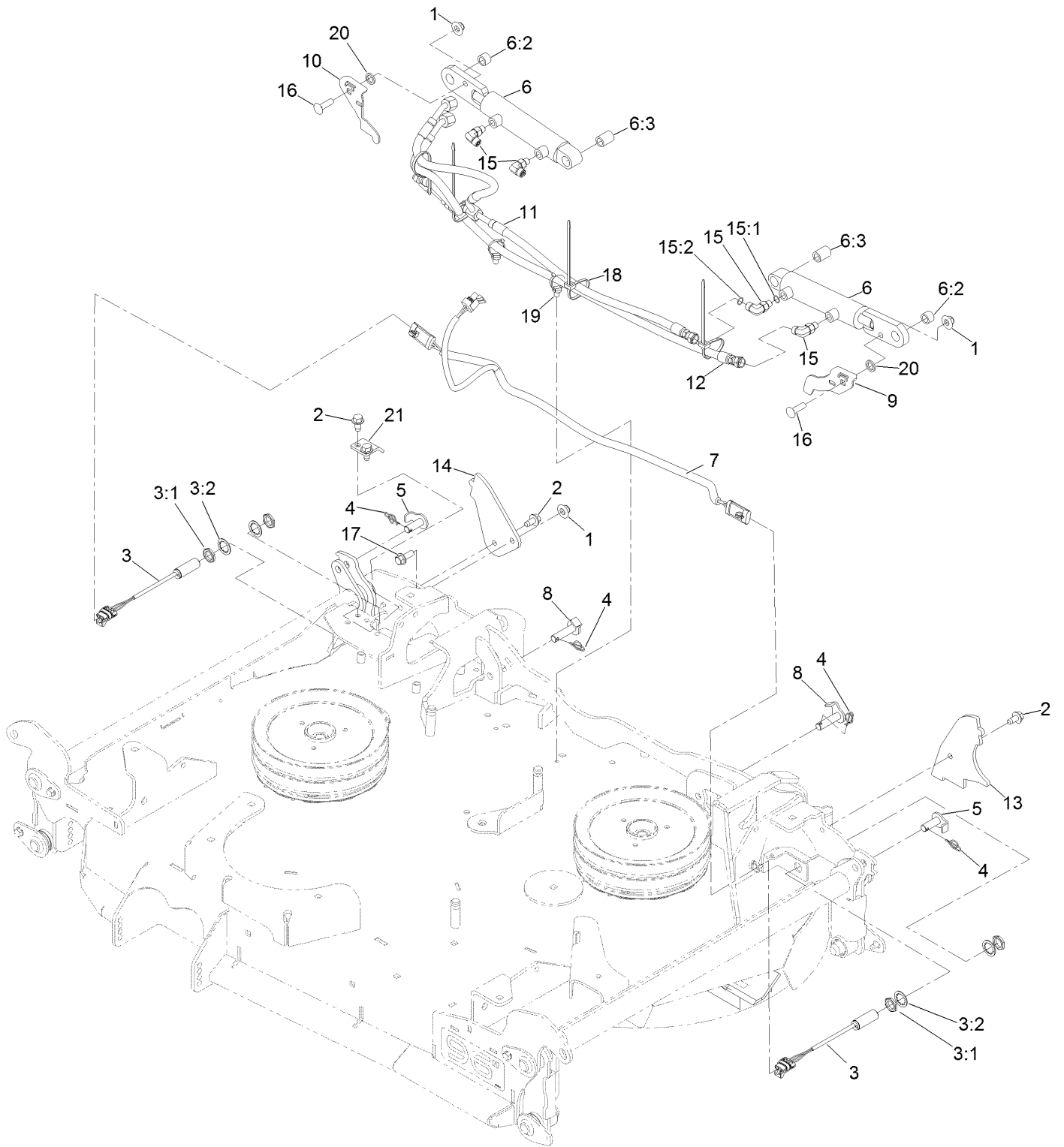




## Center Deck and Drive Assembly (continued)

<i>Ref.</i>	<i>Part Number</i>	<i>Qty.</i>	<i>Description</i>	<i>Ref.</i>	<i>Part Number</i>	<i>Qty.</i>	<i>Description</i>
1	1-633456	4	Bushing, Idler	13	126-7685	1	Idler-Pulley
2	98-5975	5	Washer-Belleville	14	126-7924	1	V-Belt
3	103-2916	3	Guard-Top	15	126-8043	5	Shield-Dust
4	109-6658	7	Nut-Flange, NI	16	126-9187	2	Pulley-Idler, Flat
5	110-3575	1	Driveshaft ASM	17	126-9435	1	Idler ASM
6	116-1502	3	Bolt-Shoulder, Carriage	18	126-9438	1	Idler ASM
7	116-6317	3	Spring-Extension	19	140-0974	1	Center Deck ASM
8	126-2585	1	Idler Arm ASM	20	322-9	4	Screw-HH
9	126-2822	1	Pulley	21	3234-42	1	Screw-HHF
10	126-2951	1	Gearbox ASM	22	3296-29	4	Nut-Lock, NI
11	126-2956	4	Screw-HHF	23	32121-34	2	Pin-Roll
12	126-2960	2	Idler-V				

# Center Deck Hose and Switch Assembly

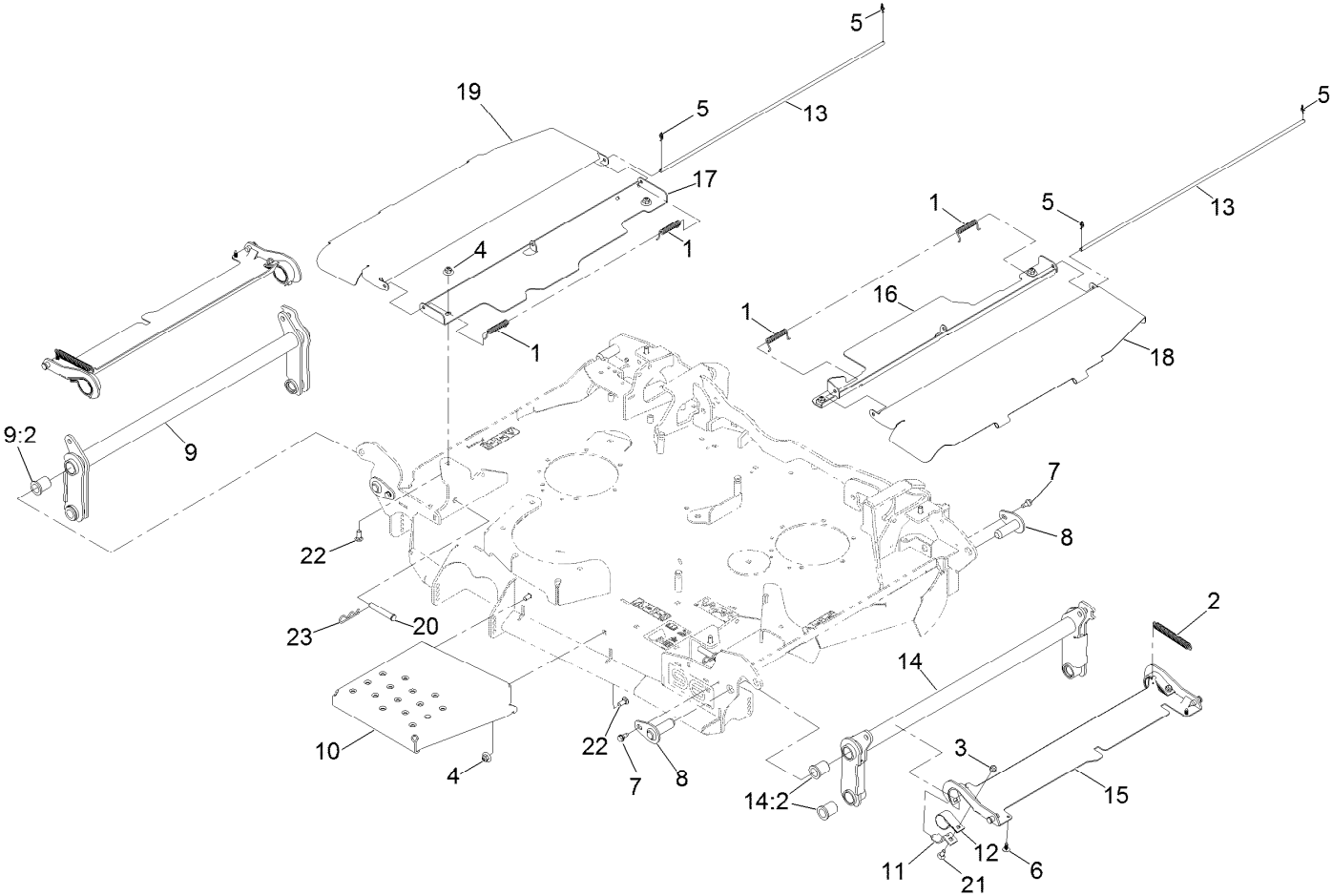


## Center Deck Hose and Switch Assembly (continued)

<i>Ref.</i>	<i>Part Number</i>	<i>Qty.</i>	<i>Description</i>	<i>Ref.</i>	<i>Part Number</i>	<i>Qty.</i>	<i>Description</i>
1	109-6658	3	Nut-Flange, NI	10	135-5923	1	Plate-Proximity, RH
2	110-9380	4	Screw-HWH	11	135-1760	1	Hose ASM
3	115-5300	2	Proximity Switch ASM	12	135-1761	1	Hose ASM
3:1	117-3207	2	Nut-Hex	13	135-2628-01	1	Bracket-Deck Stop, LH
3:2	117-3208	2	Washer-Lock, Internal Tooth	14	135-2629-01	1	Bracket-Deck Stop, RH
4	126-8417	4	Pin-Cotter, Locking	15	340-132	4	Fitting-Elbow, 90 DEG
5	126-8448	2	Pin-Cylinder	15:1	237-78	1	O-Ring
6	126-9000	2	Deck Fold Cylinder ASM	15:2	237-21	1	O-Ring
6:1:1	142-2768	1	Kit, CYL Repair ●	16	3231-28	2	Screw-CARR
6:2	126-8439	1	Bushing	17	3234-42	1	Screw-HHF
6:3	126-8440	1	Bushing	18	3290-378	3	Tie-Cable
7	126-9372	1	Harness-Wire	19	32180-030	4	Clip-Tie
8	142-3762	2	Pin-Cylinder	20	62-7120	2	Washer
9	135-5922	1	Plate-Proximity, LH	21	135-6586	1	Bracket-Guard, Switch (RH)

● Not illustrated

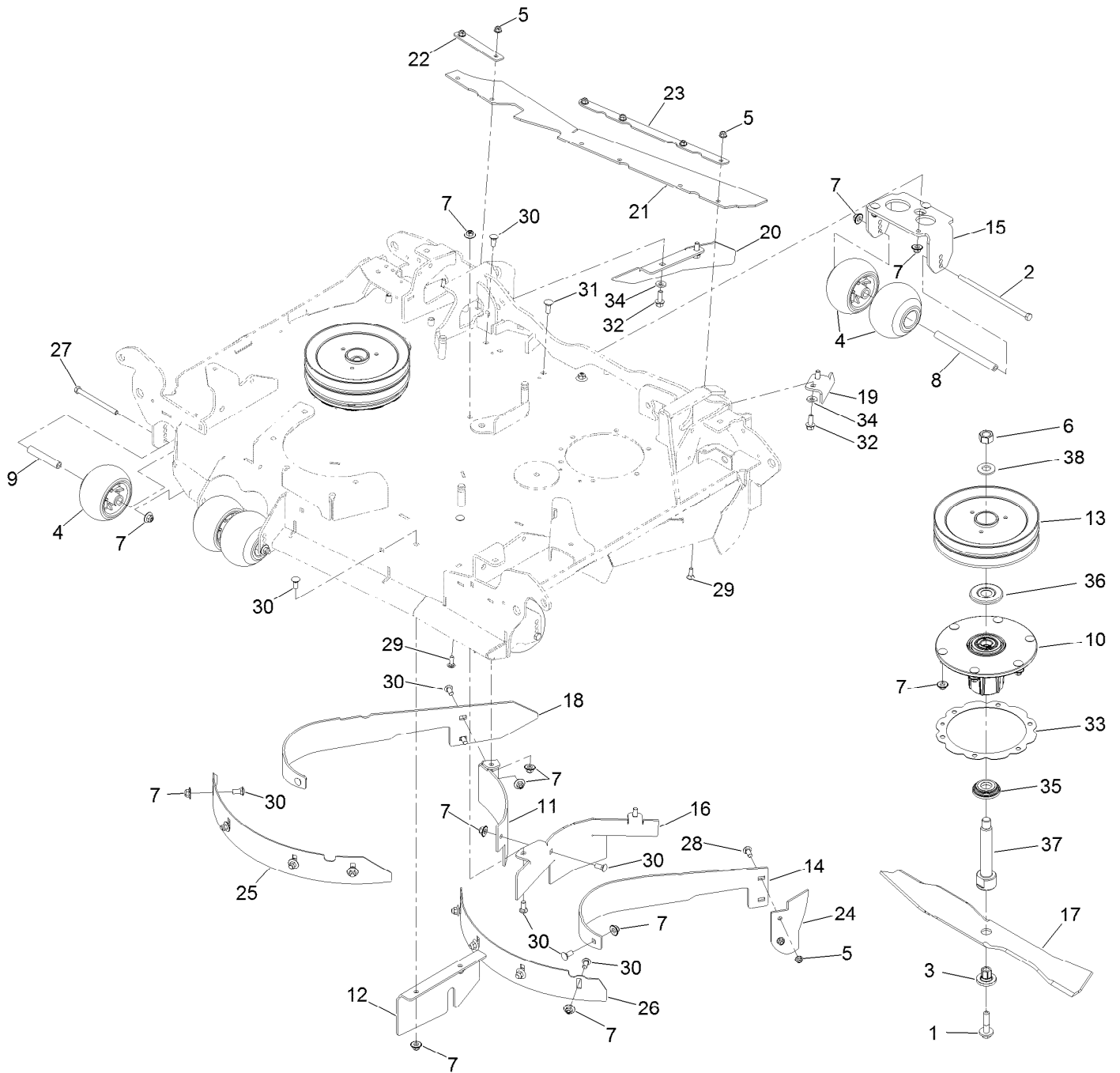
# Center Deck Fold Assembly



## Center Deck Fold Assembly (continued)

<i>Ref.</i>	<i>Part Number</i>	<i>Qty.</i>	<i>Description</i>	<i>Ref.</i>	<i>Part Number</i>	<i>Qty.</i>	<i>Description</i>
1	99-5293	4	Spring-Torsion	13	135-1023	2	Cover-Rod, Pivot
2	103-4813	2	Spring	14	142-5424	1	ASM-Fold Arm, LH
3	104-8300	4	Nut-HF, NI	14:2	142-4794	4	Bushing-Flanged
4	109-6658	6	Nut-Flange, NI	15	135-2630-01	2	Cover-Wing
5	116-6639	4	Pin-Cotter, Locking	16	135-2651-01	1	Shield-Center, LH
6	117-2382	4	Plug-Plastic	17	135-2652-01	1	Shield-Center, RH
7	126-4424	8	Screw-Shoulder	18	135-6178-03	1	Panel-Shield Hinge, LH
8	142-4813	8	ASM-Deck Pin	19	135-6174-03	1	Panel-Shield Hinge, RH
9	142-5423	1	ASM-Fols Arm, RH	20	283-55	2	Pin-Clevis
9:2	142-4794	4	Bushing-Flanged	21	3230-16	4	Screw-CARR
10	126-9745-03	1	Panel-Step	22	3231-12	6	Bolt-CARR
11	126-9764	4	Plate-Retainer, Bearing	23	3290-355	2	Pin-Hair
12	135-0584	4	Strap-Bearing, Nylon				

# Center Deck Spindle, Baffle and Roller Assembly



## Center Deck Spindle, Baffle and Roller Assembly (continued)

<i>Ref.</i>	<i>Part Number</i>	<i>Qty.</i>	<i>Description</i>	<i>Ref.</i>	<i>Part Number</i>	<i>Qty.</i>	<i>Description</i>
1	109-9220	2	Screw-Sems	20	135-2453-01	1	Plate-Fin, Discharge
2	99-7203	4	Screw-HH	21	135-2618	1	Flap-Discharge
3	137-9787	2	Bushing-Hex	22	135-2455-03	1	Support-Flap, LH
4	103-8415	9	Roller-Anti-Scalp	23	135-2457-03	1	Support-Flap, LH
5	104-8300	8	Nut-HF, NI	24	135-2458	1	Guard-Discharge
6	116-7306	2	Nut-Hex	25	135-2459-01	1	Baffle-Depth, LH
7	109-6658	38	Nut-Flange, NI	26	135-2460-01	1	Baffle-Depth, RH
8	126-6115	4	Spacer-Wheel	27	323-38	1	Screw-HH
9	126-7140	1	Spacer-Wheel, Short	28	3230-22	2	Screw-CARR
10	137-9780	2	Spindle ASM	29	3230-16	6	Screw-CARR
11	135-0601-01	1	Baffle-Center, Rear (RH)	30	3231-12	18	Bolt-CARR
12	135-0603-01	1	Plate-Block, Front	31	3231-2	3	Bolt-CARR
13	140-1186	2	Sheave-Double Blade Drive	32	3234-11	6	Screw-HHF
14	135-0792-01	1	Baffle-Dogleg, Center (LH)	33	140-0986	2	Ring-Spacer, Housing
15	135-1036-01	1	Bracket-Antiscalp, Rear	34	98-5975	6	Washer-Belleville
16	135-1827-01	1	Baffle-Center	35	137-9784	2	Guard-Bottom
17	140-1246	2	Blade-24.50 Mulch	36	103-1330	2	Guard-Bearing, Top
18	135-2451-01	1	Baffle-Dogleg, Center (RH)	37	138-6045	2	Shaft-Spindle
19	135-2452-01	1	Baffle-Breaker	38	103-2802	2	Washer

# Spindle Assembly No. 137-9780

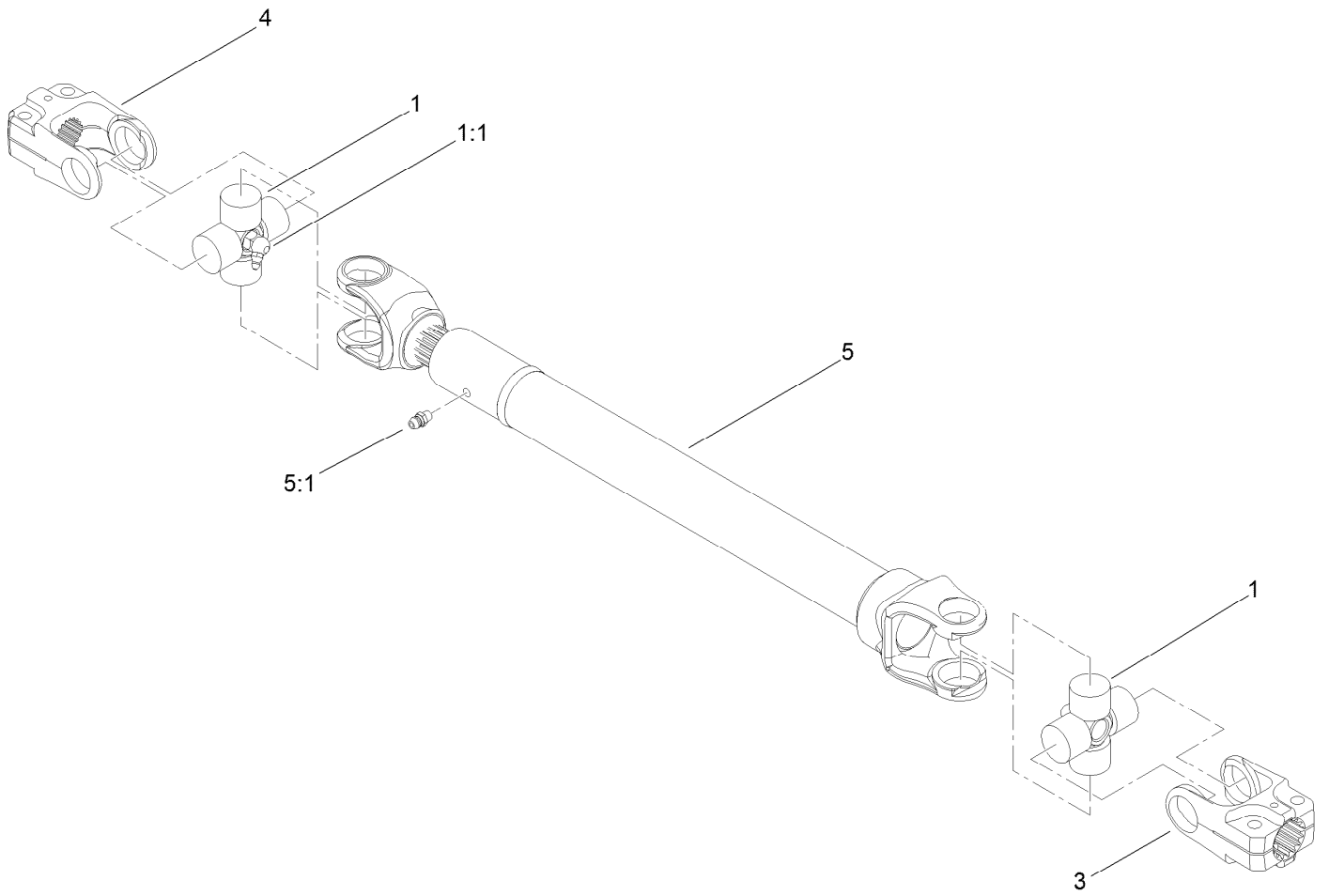




## Spindle Assembly No. 137-9780 (continued)

<i>Ref.</i>	<i>Part Number</i>	<i>Qty.</i>	<i>Description</i>
2	116-0720	2	Bearing-Ball
3	138-6042	1	Spacer-Bearing

# Driveshaft Assembly No. 110-3575

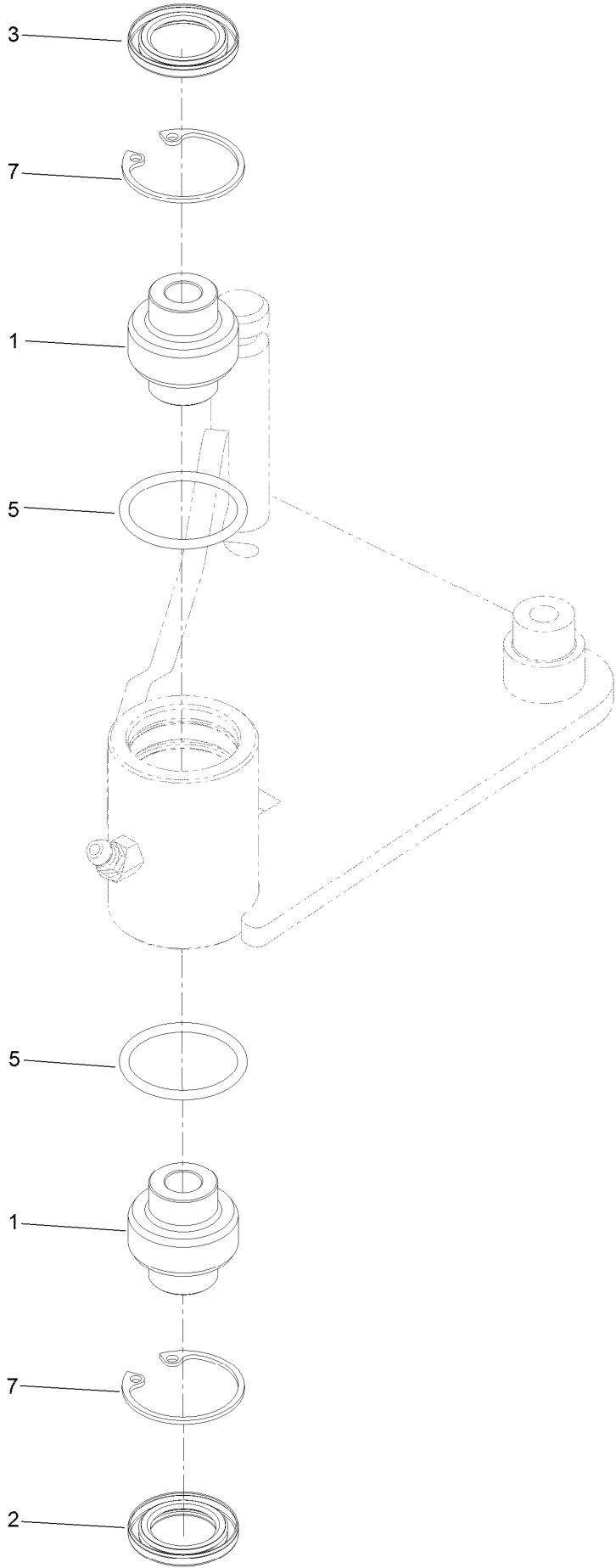


## Driveshaft Assembly No. 110-3575 (continued)

<i>Ref.</i>	<i>Part Number</i>	<i>Qty.</i>	<i>Description</i>	<i>Ref.</i>	<i>Part Number</i>	<i>Qty.</i>	<i>Description</i>
1	112-1687	2	Cross And Bearing Kit	4	54-9090	1	Yoke-End
1:1	62-3820	1	Fitting-Grease	5		1	Tube-Yoke, Slip ●
3	54-9040	1	Yoke-End	5:1	302-22	1	Fitting-Grease

● Not serviced separately

# Idler Arm Assembly No. 126-2585

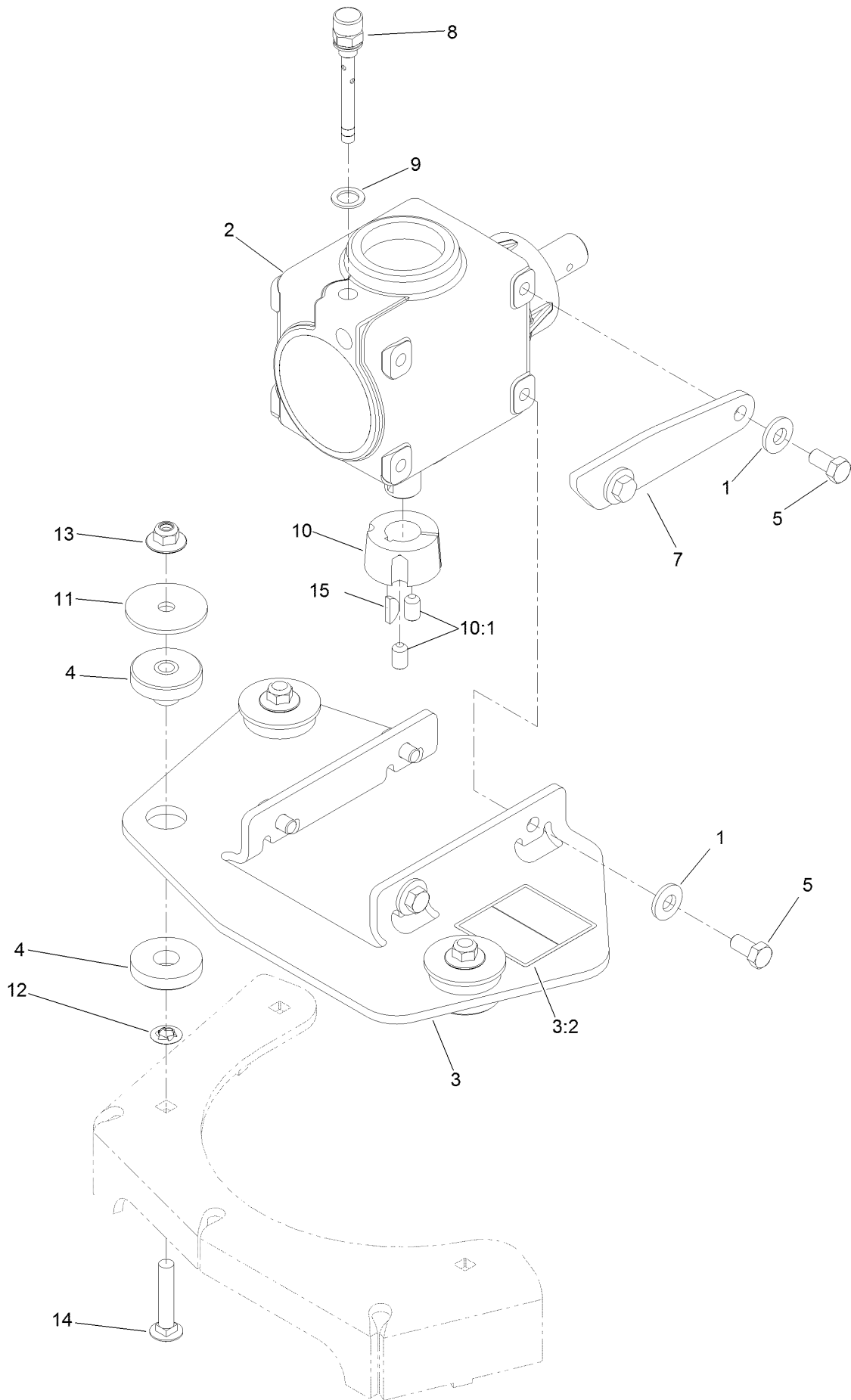


## Idler Arm Assembly No. 126-2585 (continued)

<i>Ref.</i>	<i>Part Number</i>	<i>Qty.</i>	<i>Description</i>
1	103-3504	2	Bearing-Spherical
2	103-3505	1	Seal-Lip, Double
3	103-3506	1	Seal-Lip, Single

<i>Ref.</i>	<i>Part Number</i>	<i>Qty.</i>	<i>Description</i>
5	106-7159	2	O-Ring
7	32120-10	2	Ring-Snap

# Gear Box and Mount Assembly

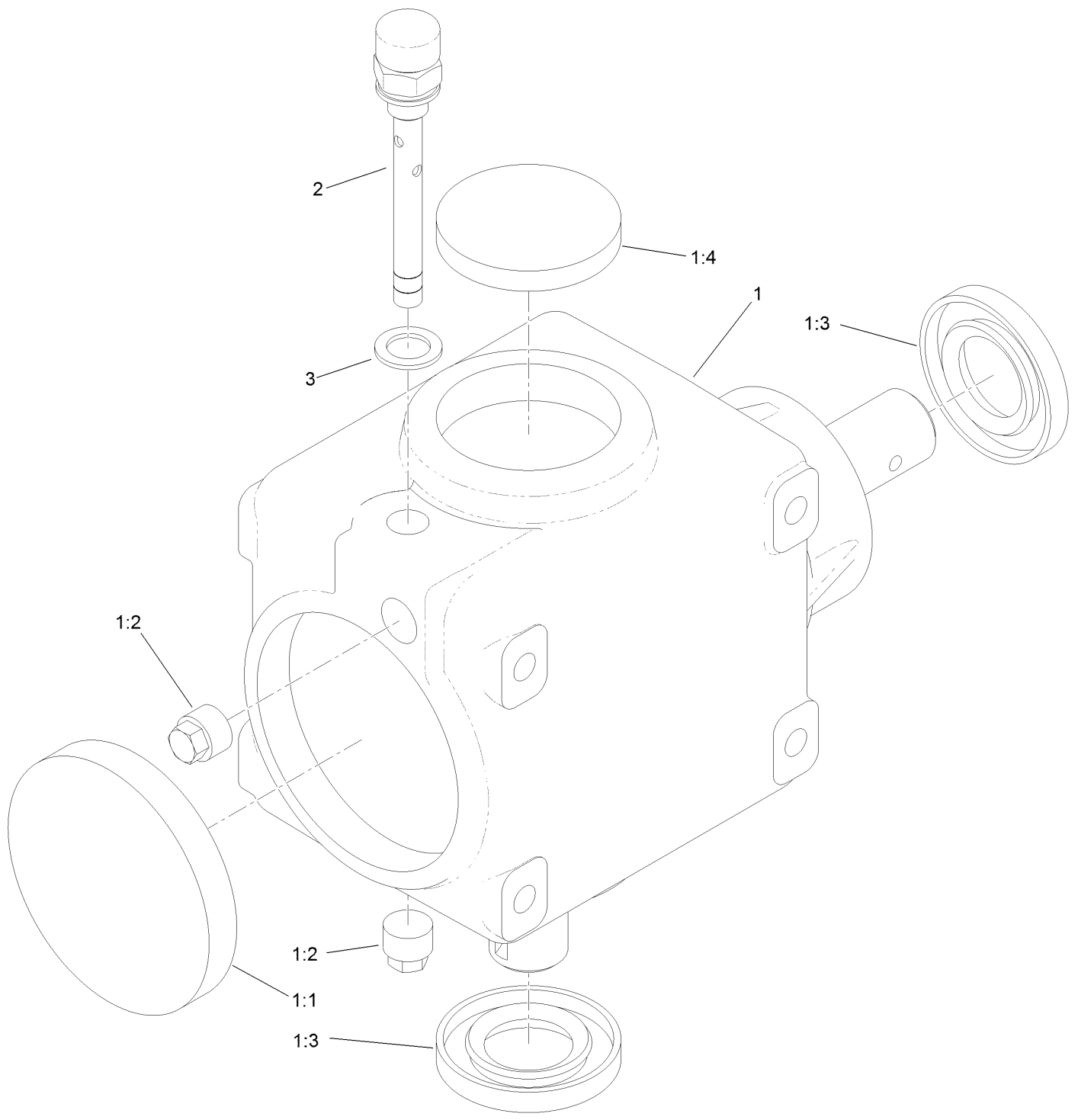


# Gear Box and Mount Assembly (continued)

<i>Ref.</i>	<i>Part Number</i>	<i>Qty.</i>	<i>Description</i>
1	98-5975	6	Washer-Belleville
2	130-8659	1	Gearbox ASM
3	135-0874	1	Mount-Gearbox
3:2	135-0679	1	Decal-Hazard, Entanglement
4	126-3074	3	Mount-ISO
5	323-6	6	Screw-HH
7	126-3544	1	Stop-Gearbox
8	130-8661	1	Plug-Breather

<i>Ref.</i>	<i>Part Number</i>	<i>Qty.</i>	<i>Description</i>
9	130-4899	1	Washer
10	23-1640	1	Bushing-Taperlock
10:1	3247-4	2	Screw-Set
11	83-1040	3	Washer-Flat
12	107-3154	3	Nut-Push
13	109-6658	3	Nut-Flange, NI
14	3231-6	3	Screw-CARR
15	3257-5	1	Key-Woodruff

# Gearbox Assembly No. 130-8659



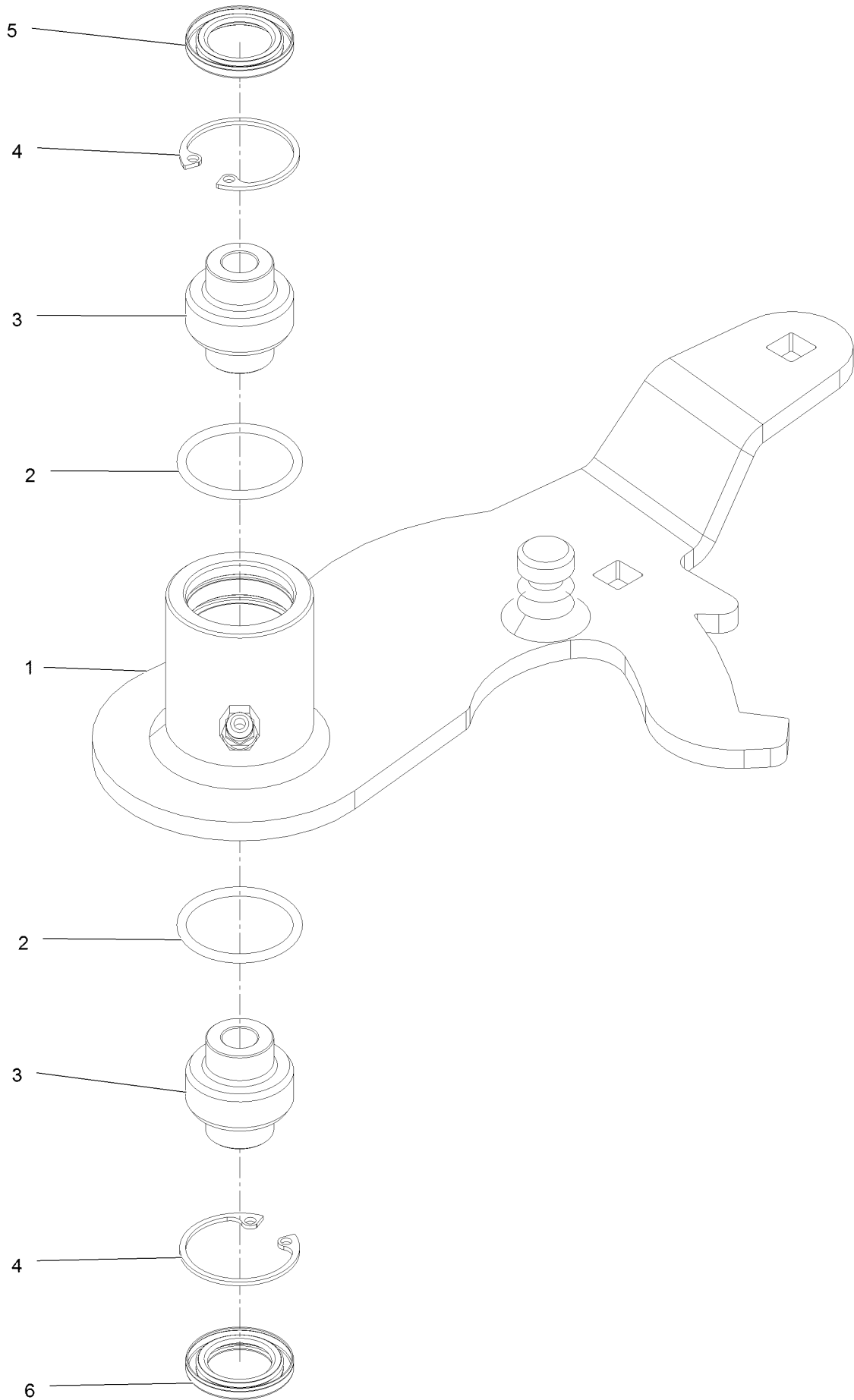


## Gearbox Assembly No. 130-8659 (continued)

<i>Ref.</i>	<i>Part Number</i>	<i>Qty.</i>	<i>Description</i>	<i>Ref.</i>	<i>Part Number</i>	<i>Qty.</i>	<i>Description</i>
1		1	Gearbox ASM ●	1:4	107-2935	1	Cap-Oil
1:1	107-2932	1	Cap-Oil	2	130-8661	1	Plug-Breather
1:2	107-2933	2	Plug	3	130-4899	1	Washer
1:3	117-9247	2	Seal				

● Not serviced separately

# Idler Assembly No. 126-9435



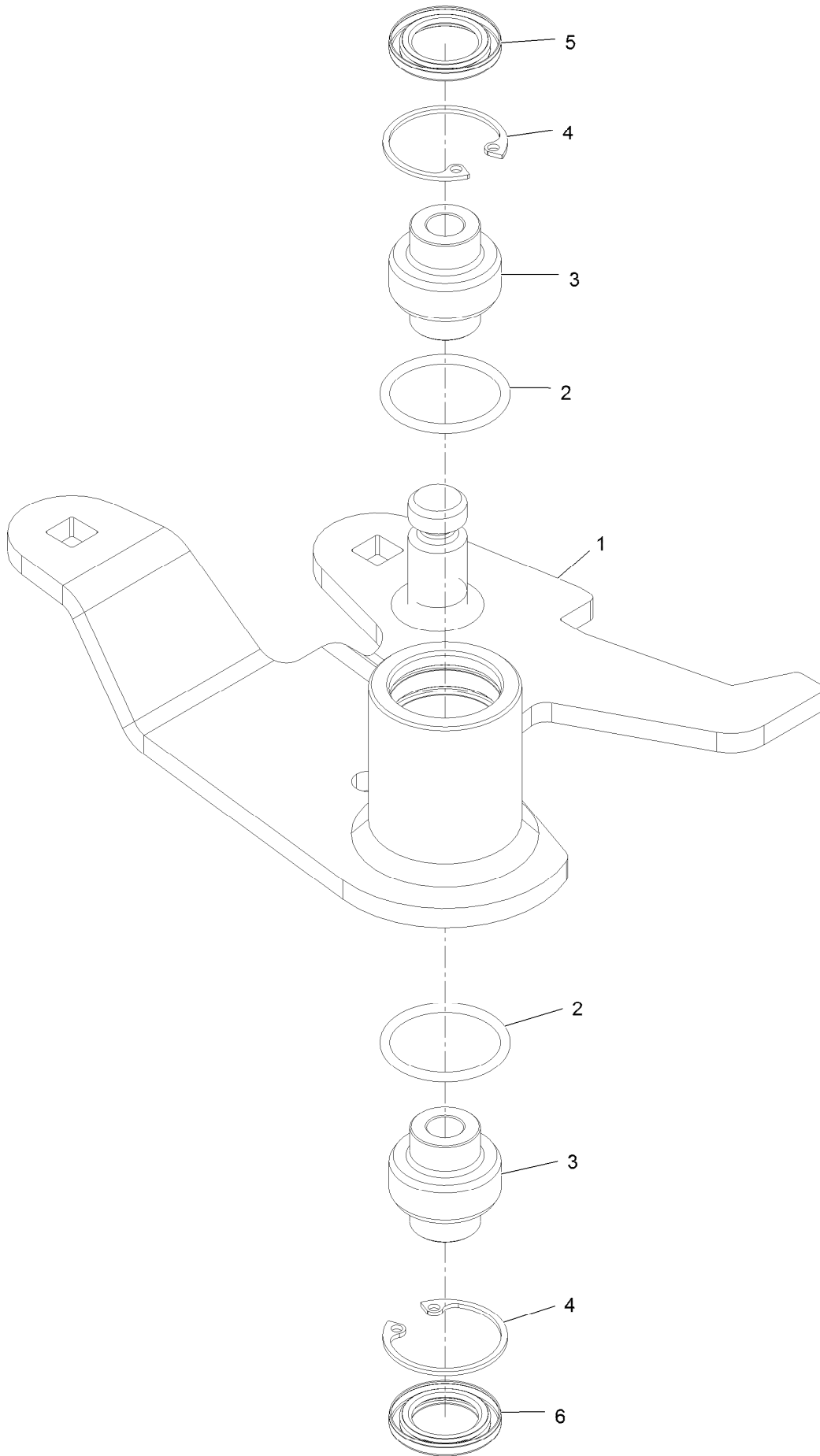
## Idler Assembly No. 126-9435 (continued)

<i>Ref.</i>	<i>Part Number</i>	<i>Qty.</i>	<i>Description</i>
1		1	ASM-Idler Arm 96Rd LH [red] ●
2	106-7159	2	O-Ring
3	103-3504	2	Bearing-Spherical

<i>Ref.</i>	<i>Part Number</i>	<i>Qty.</i>	<i>Description</i>
4	32120-10	2	Ring-Snap
5	103-3506	1	Seal-Lip, Single
6	103-3505	1	Seal-Lip, Double

● Not serviced separately

# Idler Assembly No. 126-9438



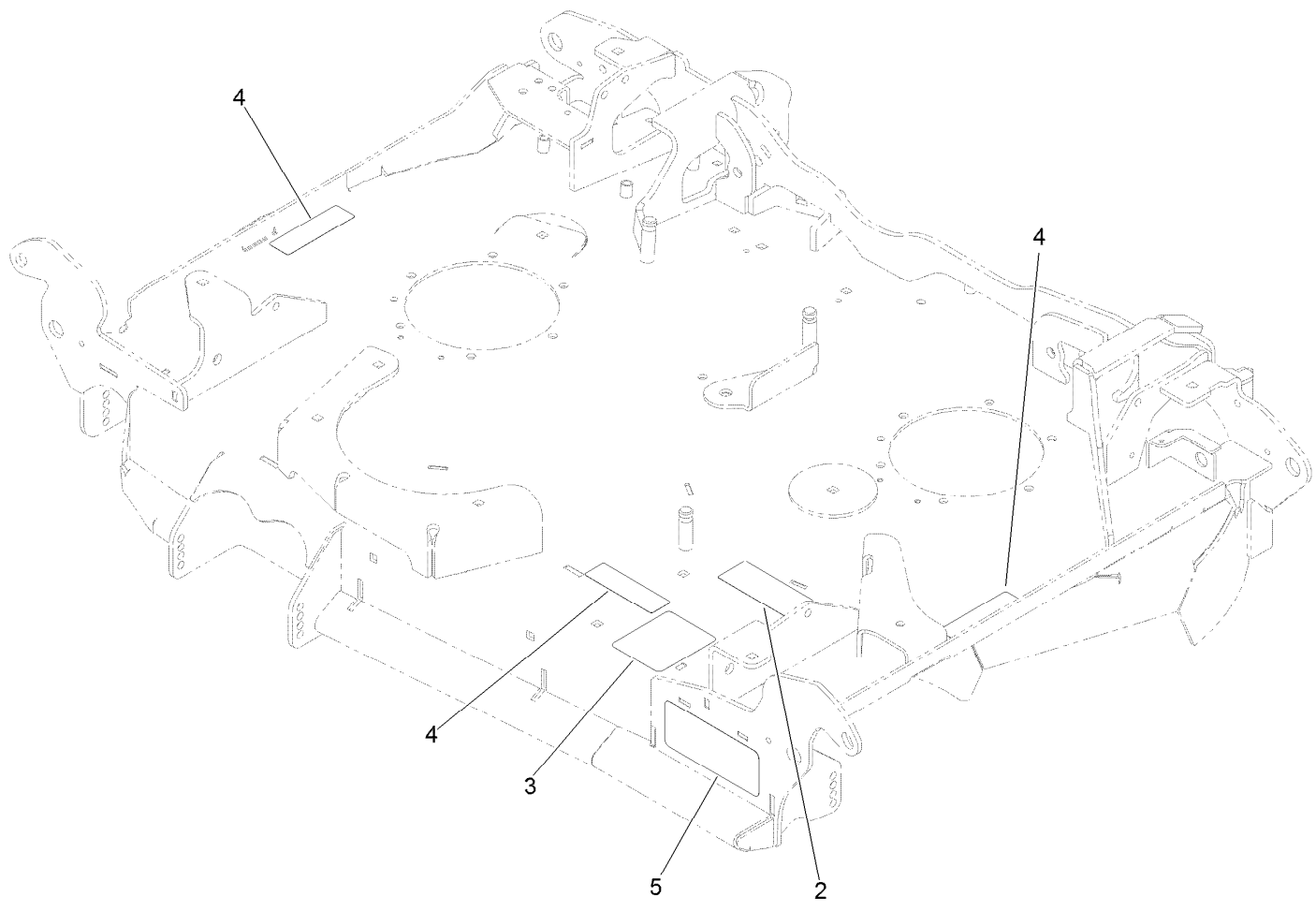
## Idler Assembly No. 126-9438 (continued)

<i>Ref.</i>	<i>Part Number</i>	<i>Qty.</i>	<i>Description</i>
1		1	ASM-Idler Arm, 96Rd [red] ●
2	106-7159	2	O-Ring
3	103-3504	2	Bearing-Spherical

<i>Ref.</i>	<i>Part Number</i>	<i>Qty.</i>	<i>Description</i>
4	32120-10	2	Ring-Snap
5	103-3506	1	Seal-Lip, Single
6	103-3505	1	Seal-Lip, Double

● Not serviced separately

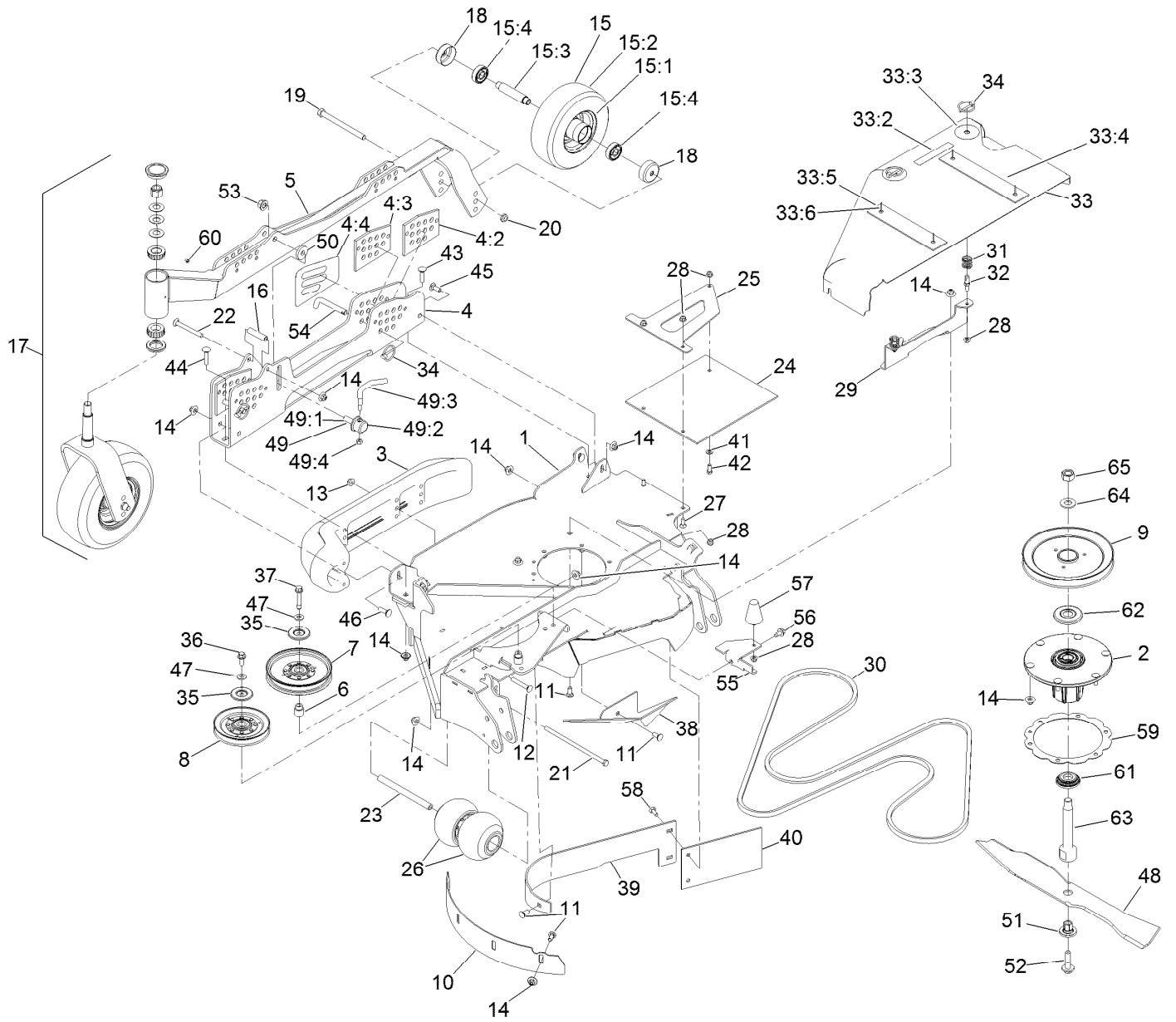
# Center Deck Decal Assembly No. 140-0974



## Center Deck Decal Assembly No. 140-0974 (continued)

<i>Ref.</i>	<i>Part Number</i>	<i>Qty.</i>	<i>Description</i>	<i>Ref.</i>	<i>Part Number</i>	<i>Qty.</i>	<i>Description</i>
2	142-3903	1	Decal-Deck Belt Routing	4	112-9028	3	Decal-Cover, Missing
3	109-6036	1	Decal-Roller, Anti-Scalp	5	136-9041	1	Decal

# RH Wing Deck Assembly



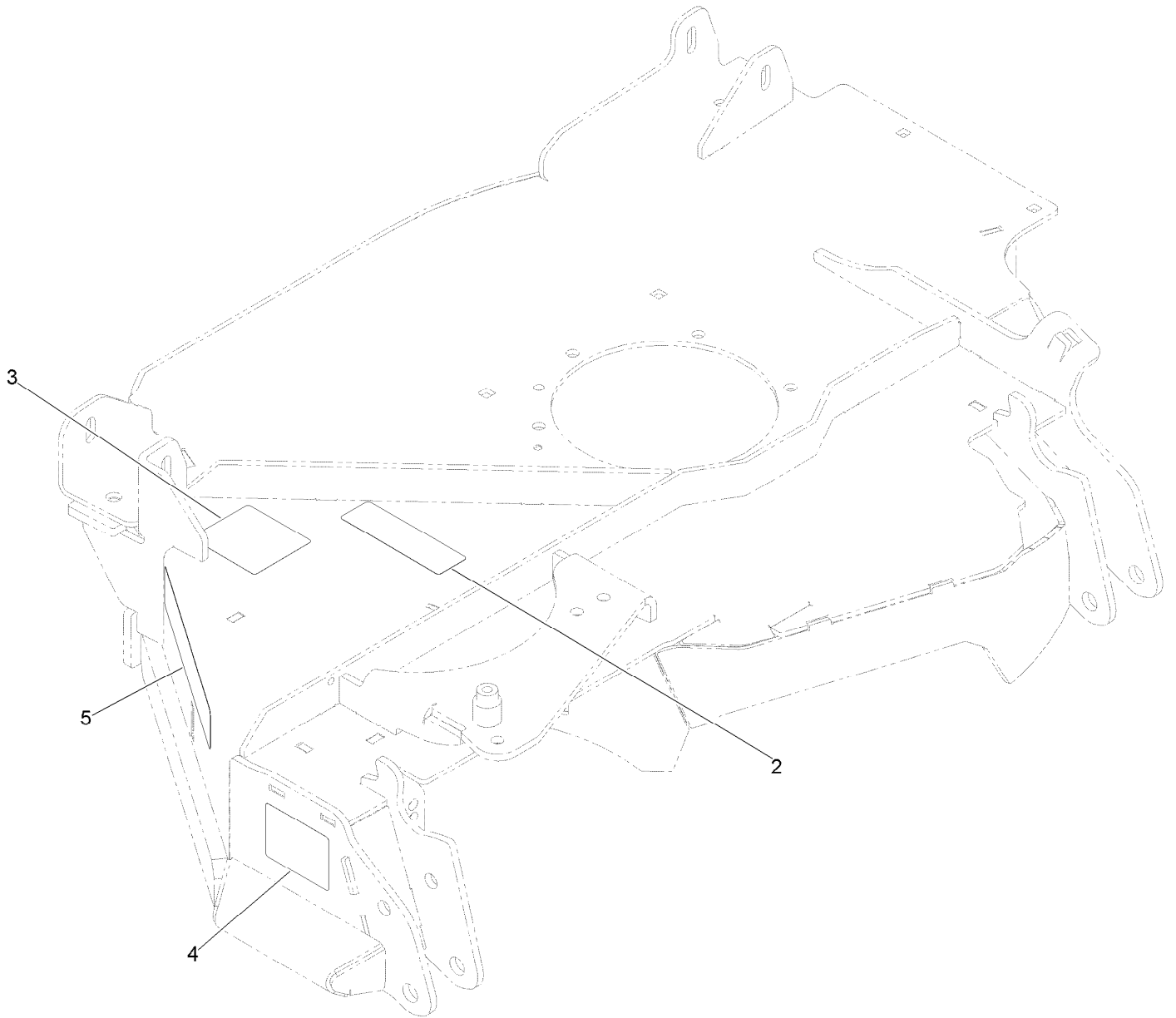


## RH Wing Deck Assembly (continued)

<i>Ref.</i>	<i>Part Number</i>	<i>Qty.</i>	<i>Description</i>	<i>Ref.</i>	<i>Part Number</i>	<i>Qty.</i>	<i>Description</i>
1	142-5477	1	RH Wing Deck ASM	33:3	135-3165	2	Decal-Cover, Scratch
2	137-9780	1	Spindle ASM	33:4	135-6706	1	Plate
3	112-1479	1	Skid-Bumper, Deck	33:5	135-6707	1	Plate-Front
4	135-5595	1	RH HOC Channel ASM	33:6	133-7130	4	Rivet-Pop
4:2	135-2422	2	Plate-Guide, HOC (LH)	34	92-1298	4	Pin-Lynch
4:3	135-2423	2	Plate-Guide, HOC (RH)	35	126-8043	2	Shield-Dust
4:4	126-8760	2	Decal-HOC, RH	36	3234-42	1	Screw-HHF
5	135-3788-01	1	Tube-HOC, RH	37	126-2956	1	Screw-HHF
6	1-633456	1	Bushing, Idler	38	135-2448-01	1	Baffle-Deflect, RH
7	126-7685	1	Idler-Pulley	39	135-0795-01	1	Baffle-Dogleg, RH
8	126-2960	1	Idler-V	40	135-0091	1	Flap-Rubber
9	140-1185	1	Sheave-Drive, Blade	41	3256-23	1	Washer-Plain
10	135-2460-01	1	Baffle-Depth, RH	42	322-3	1	Screw-HH
11	3231-12	8	Bolt-CARR	43	3231-4	1	Screw-CARR
12	3231-31	2	Screw-CARR	44	3231-5	1	Screw-CARR
13	104-8301	2	Nut-HF, NI	45	3231-2	3	Bolt-CARR
14	109-6658	23	Nut-Flange, NI	46	3231-25	1	Bolt-CARR
15		1	Wheel And Tire ASM ●	47	98-5975	2	Washer-Belleville
15:1	135-2646	1	Wheel	48	140-1246	1	Blade-24.50 Mulch
15:2	112-7065	1	Tire	49	107-1664	1	Lever ASM
15:3	126-7904	1	Axle-Caster	49:1	106-3239	1	Screw-Lock
15:4	116-4004	2	Bearing	49:2	107-1644	1	Cap-Lock
16	135-2424	1	Spacer	49:3	106-3241	1	Lever-Lock
17		1	Caster Wheel ASM ●	49:4	3296-29	1	Nut-Lock, NI
18	135-3218	2	Guard, Seal	50	30-8770	1	Washer
19	325-20	1	Screw-HH	51	137-9787	1	Bushing-Hex
20	3296-45	1	Nut-Hex	52	109-9220	1	Screw-Sems
21	99-7203	1	Screw-HH	53	99-5107	1	Nut-Lock
22	3231-11	1	Screw-CARR	54	135-2073	2	Pin-HOC
23	126-6115	1	Spacer-Wheel	55	135-2611-01	1	Bracket-Retainer, Cover
24	135-2068	1	Guard-Tire	56	110-9380	1	Screw-HWH
25	135-2067-03	1	Support-Flap, RH	57	114-1925	1	Bumper-Rubber
26	103-8415	2	Roller-Anti-Scalp	58	3230-22	2	Screw-CARR
27	3230-16	2	Screw-CARR	59	140-0986	1	Ring-Spacer, Housing
28	104-8300	8	Nut-HF, NI	60	1-811010	1	Plug
29	135-2653-03	1	Bracket-Shield Mount, Outer	61	137-9784	1	Guard-Bottom
30	126-6447	1	Belt-V	62	103-1330	1	Guard-Bearing, Top
31	126-1503	2	Spring	63	138-6045	1	Shaft-Spindle
32	135-7455	2	Pin, Spring	64	103-2802	1	Washer
33	135-6171	1	RH Wing Shield ASM	65	116-7306	1	Nut-Hex
33:2	93-6687	1	Decal-No Step				

● Not serviced separately

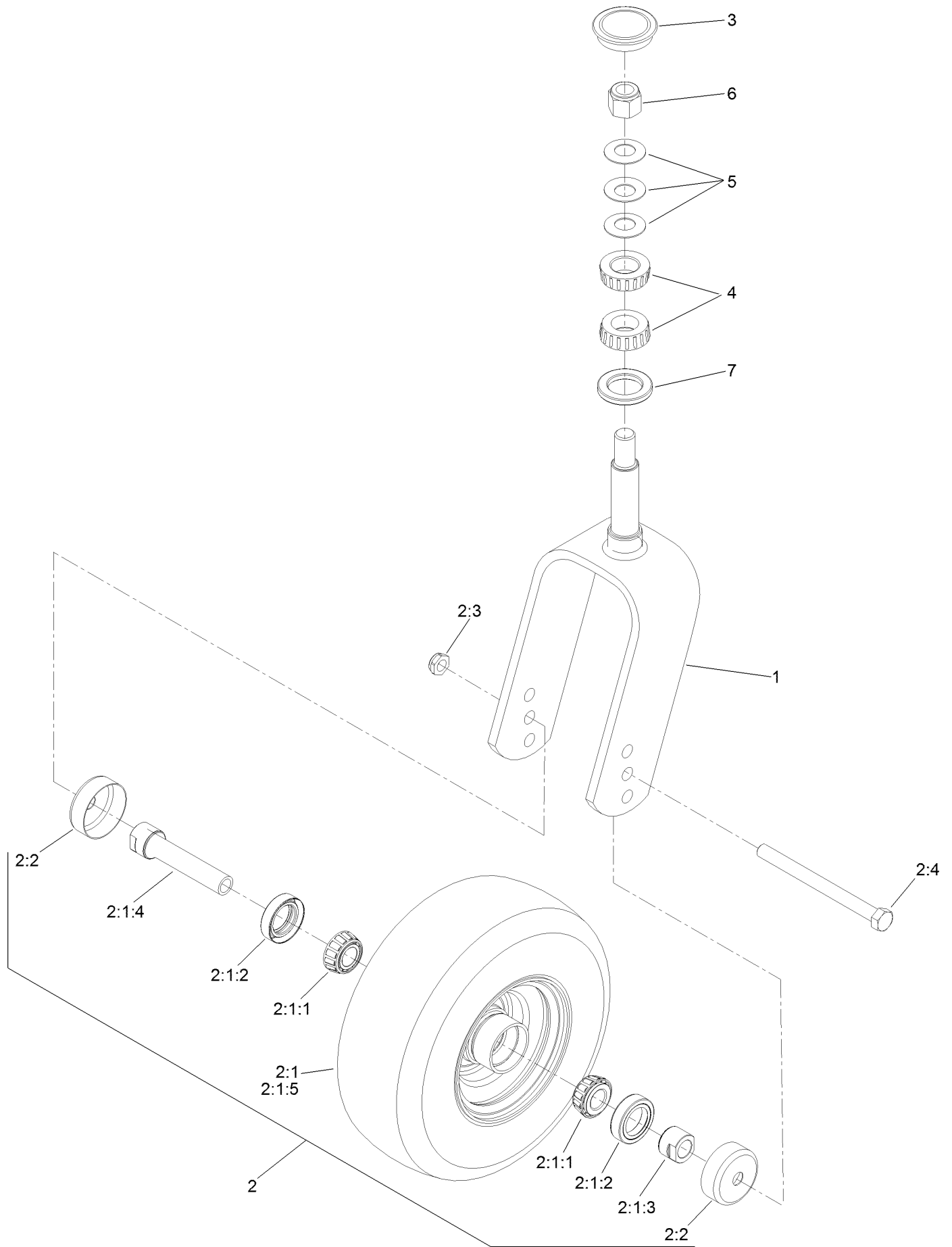
# RH Wing Deck Decal Assembly No. 142-5477



# RH Wing Deck Decal Assembly No. 142-5477 (continued)

<i>Ref.</i>	<i>Part Number</i>	<i>Qty.</i>	<i>Description</i>	<i>Ref.</i>	<i>Part Number</i>	<i>Qty.</i>	<i>Description</i>
2	112-9028	1	Decal-Cover, Missing	4	135-0670	1	Decal-Warning, Pinch Point
3	135-0664	1	Decal-Danger, Thrown Object	5	136-9042	1	Decal

# Caster Fork and Wheel Assembly



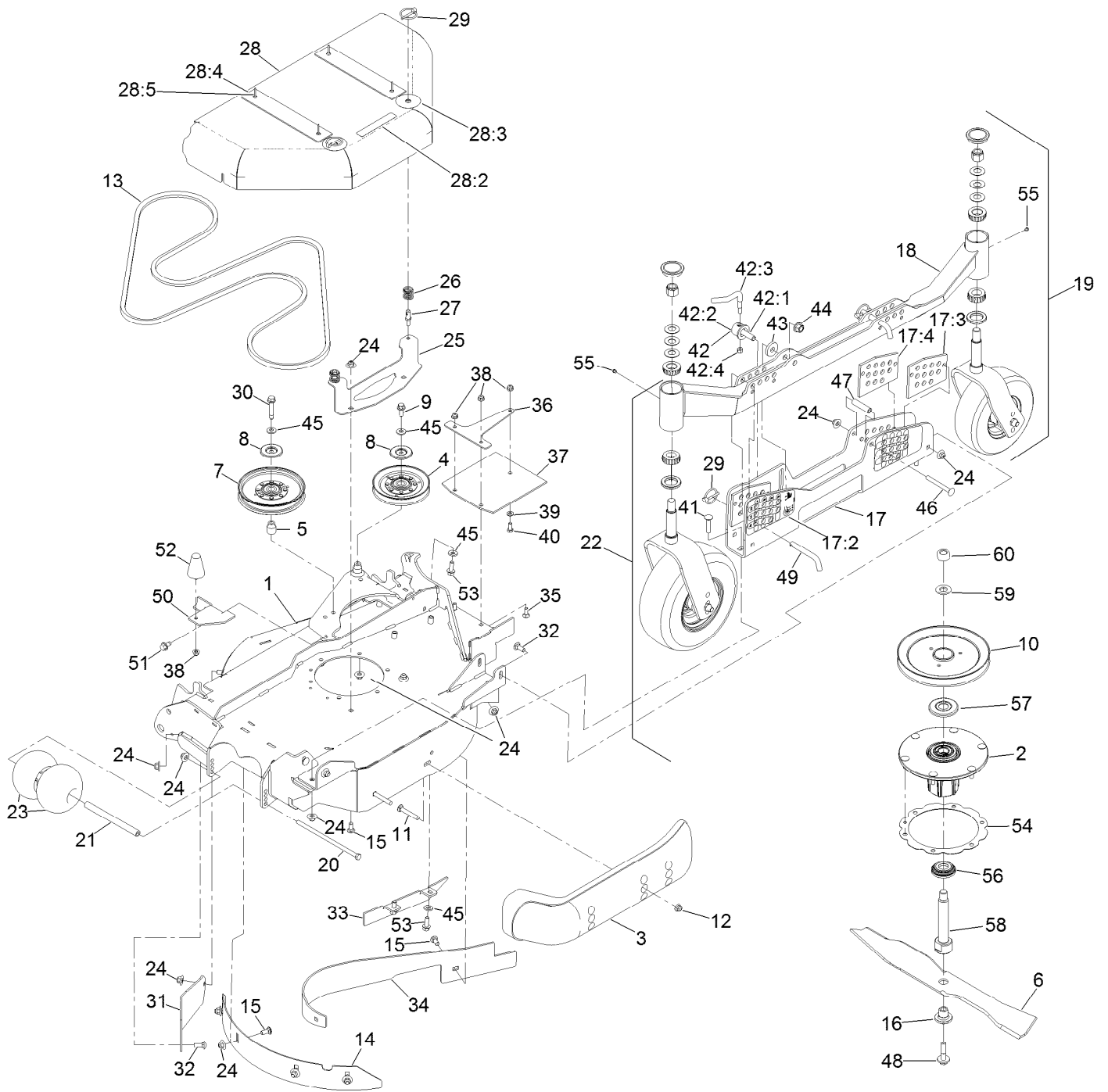
## Caster Fork and Wheel Assembly (continued)

<i>Ref.</i>	<i>Part Number</i>	<i>Qty.</i>	<i>Description</i>	<i>Ref.</i>	<i>Part Number</i>	<i>Qty.</i>	<i>Description</i>
1	135-3794-01	1	Fork-Caster	2:2	103-2768	2	Guard-Seal
2	130-4558	1	Wheel/Tire And Bearing ASM	2:3	3296-45	1	Nut-Hex
2:1		1	Wheel And Bearing ASM ●	2:4	325-20	1	Screw-HH
2:1:1	1-633585	2	Bearing-Cone, Taper	3	103-4882	1	Cap-Grease
2:1:2	103-0063	2	Seal-Caster	4	1-543509	2	Bearing-Roller, Tapered
2:1:3	103-3051	1	Spacer-Nut ■	5	1-633508	3	Washer-Bellville
2:1:4	126-5359	1	Caster Axle ASM	6	3296-51	1	Nut-Lock, NI
2:1:5	130-4563	1	Wheel And Tire ASM	7	1-543511	1	Seal-Grease

● Not serviced separately

■ Use Pro-Lock, Nut Type (P/N 1-840022, .5ml tube) on spacer nut

# LH Wing Deck Assembly

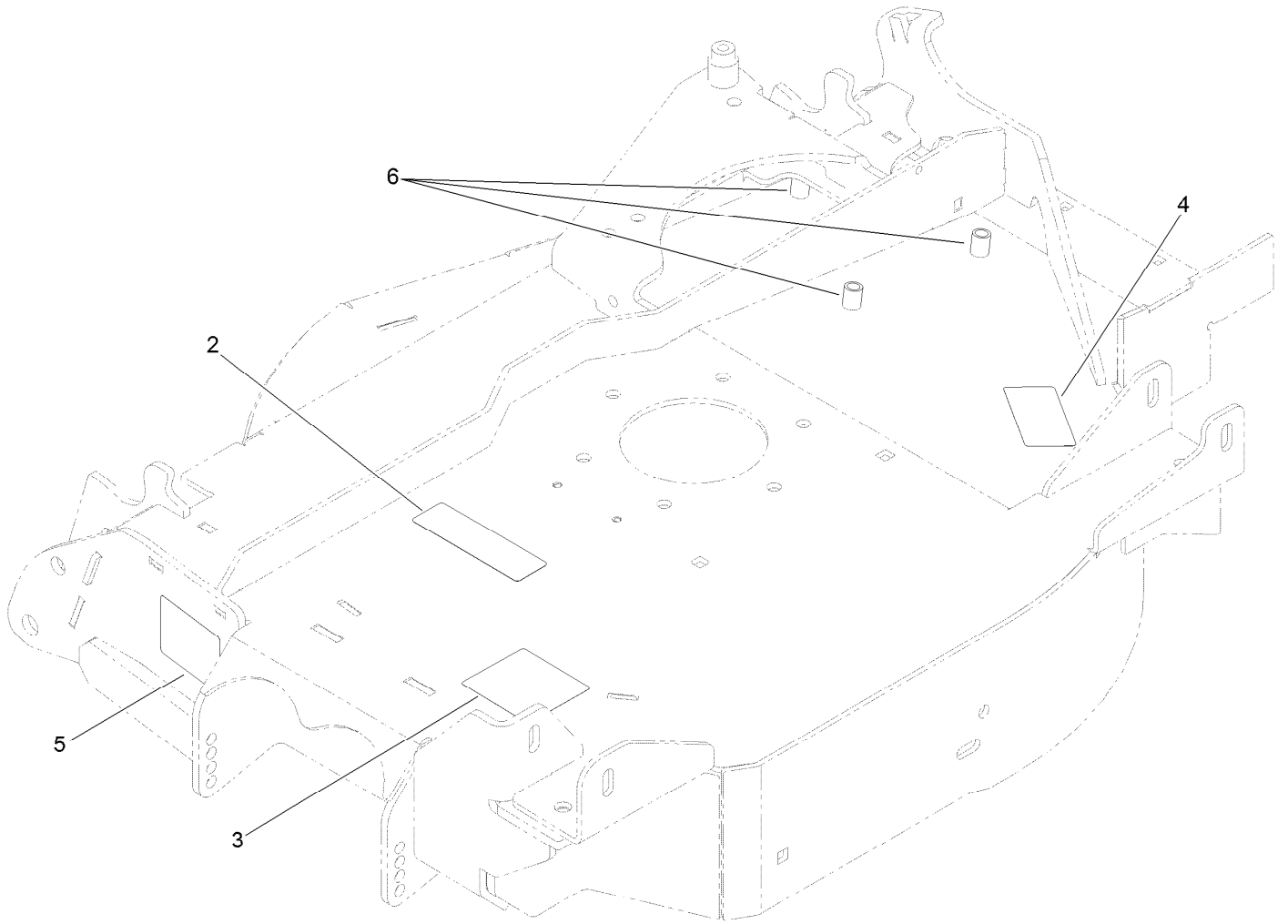


## LH Wing Deck Assembly (continued)

<i>Ref.</i>	<i>Part Number</i>	<i>Qty.</i>	<i>Description</i>	<i>Ref.</i>	<i>Part Number</i>	<i>Qty.</i>	<i>Description</i>
1	142-5475	1	LH Wing Deck ASM	30	126-2956	1	Screw-HHF
2	137-9780	1	Spindle ASM	31	126-9757-01	1	Plate-Fill
3	112-1479	1	Skid-Bumper, Deck	32	3231-2	6	Bolt-CARR
4	126-2960	1	Idler-V	33	135-1824-01	1	Fin-Baffle, Discharge Wing (LH)
5	1-633456	1	Bushing, Idler	34	135-0794-01	1	Baffle-Dogleg, Center (RH)
6	140-1246	1	Blade-24.50 Mulch	35	3230-16	2	Screw-CARR
7	126-7685	1	Idler-Pulley	36	135-0618-03	1	Support-Flap, LH
8	126-8043	2	Shield-Dust	37	135-1849	1	Guard-Tire, LH
9	3234-42	1	Screw-HHF	38	104-8300	4	Nut-HF, NI
10	140-1185	1	Sheave-Drive, Blade	39	3256-23	1	Washer-Plain
11	3231-31	2	Screw-CARR	40	322-3	1	Screw-HH
12	104-8301	2	Nut-HF, NI	41	3231-5	2	Screw-CARR
13	126-6442	1	Belt-V	42	107-1664	1	Lever ASM
14	135-2459-01	1	Baffle-Depth, LH	42:1	106-3239	1	Screw-Lock
15	3231-12	8	Bolt-CARR	42:2	107-1644	1	Cap-Lock
16	137-9787	1	Bushing-Hex	42:3	106-3241	1	Lever-Lock
17	135-2433	1	LH HOC Channel ASM	42:4	3296-29	1	Nut-Lock, NI
17:2	126-8597	2	Decal-HOC, LH	43	30-8770	1	Washer
17:3	135-2422	2	Plate-Guide, HOC (LH)	44	99-5107	1	Nut-Lock
17:4	135-2423	2	Plate-Guide, HOC (RH)	45	98-5975	5	Washer-Belleville
18	135-2436-01	1	Tube-HOC, LH	46	3231-11	1	Screw-CARR
19		1	Rear Caster Wheel ASM ●	47	135-2424	1	Spacer
20	99-7203	1	Screw-HH	48	109-9220	1	Screw-Sems
21	126-6115	1	Spacer-Wheel	49	135-2073	2	Pin-HOC
22		1	Caster Wheel ASM ●	50	135-2611-01	1	Bracket-Retainer, Cover
23	103-8415	2	Roller-Anti-Scalp	51	110-9380	1	Screw-HWH
24	109-6658	25	Nut-Flange, NI	52	114-1925	1	Bumper-Rubber
25	135-2653-03	1	Bracket-Shield Mount, Outer	53	3234-11	3	Screw-HHF
26	126-1503	2	Spring	54	140-0986	1	Ring-Spacer, Housing
27	135-7455	2	Pin, Spring	55	1-811010	2	Plug
28	135-6170	1	LH Wing Shield ASM	56	137-9784	1	Guard-Bottom
28:2	93-6687	1	Decal-No Step	57	103-1330	1	Guard-Bearing, Top
28:3	135-3165	2	Decal-Cover, Scratch	58	138-6045	1	Shaft-Spindle
28:4	135-6706	2	Plate	59	103-2802	1	Washer
28:5	133-7130	4	Rivet-Pop	60	116-7306	1	Nut-Hex
29	92-1298	4	Pin-Lynch				

● Not serviced separately

# LH Wing Deck W/Decals Assembly No. 142-5475

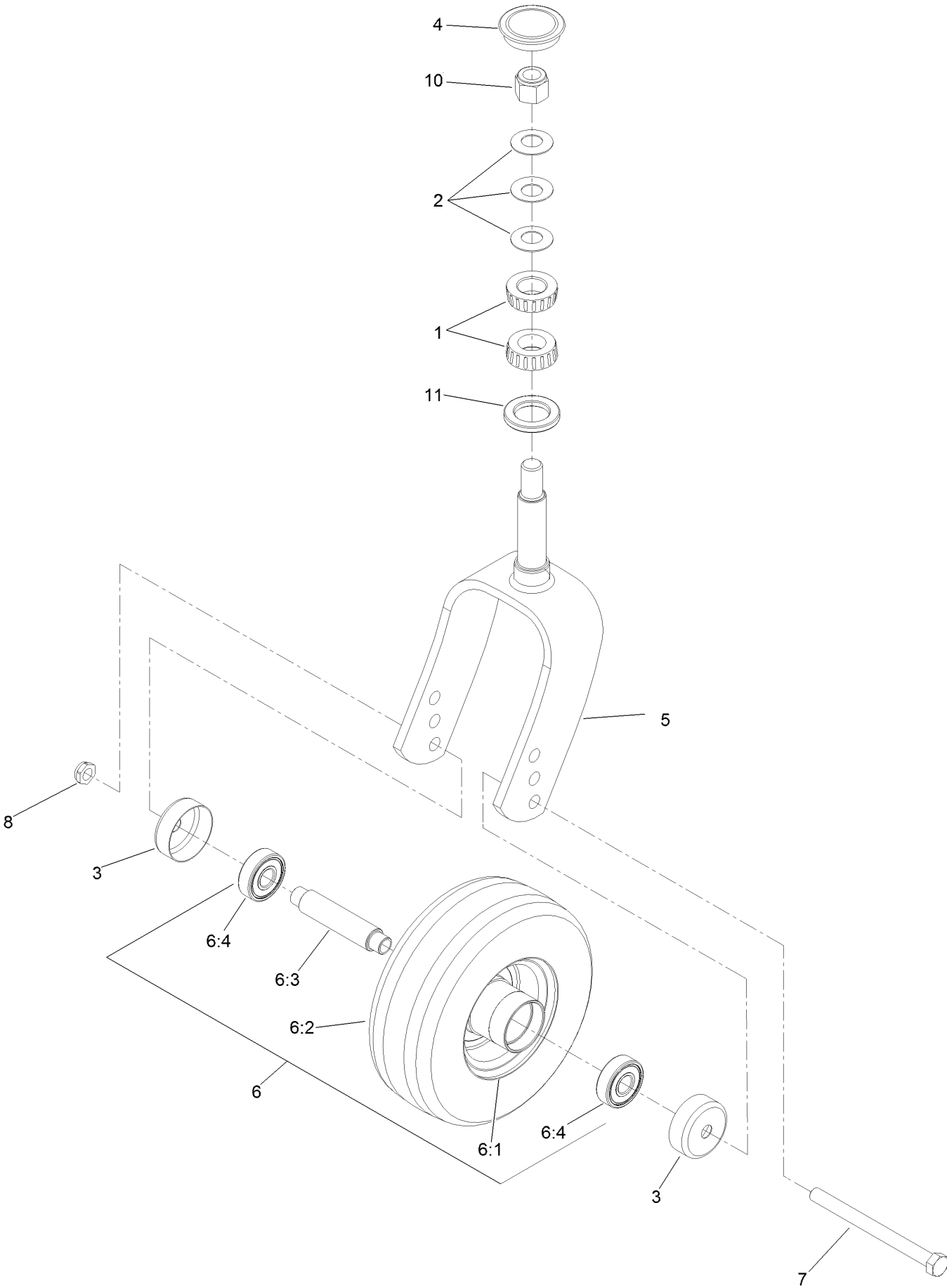




# LH Wing Deck W/Decals Assembly No. 142-5475 (continued)

<i>Ref.</i>	<i>Part Number</i>	<i>Qty.</i>	<i>Description</i>	<i>Ref.</i>	<i>Part Number</i>	<i>Qty.</i>	<i>Description</i>
2	112-9028	1	Decal-Cover, Missing	4	116-8283	1	Decal-Torque, Bolt
3	135-0664	1	Decal-Danger, Thrown Object	5	135-0670	1	Decal-Warning, Pinch Point
				6	32148-10	3	Nut-Clinch

# Rear Caster Wheel Assembly

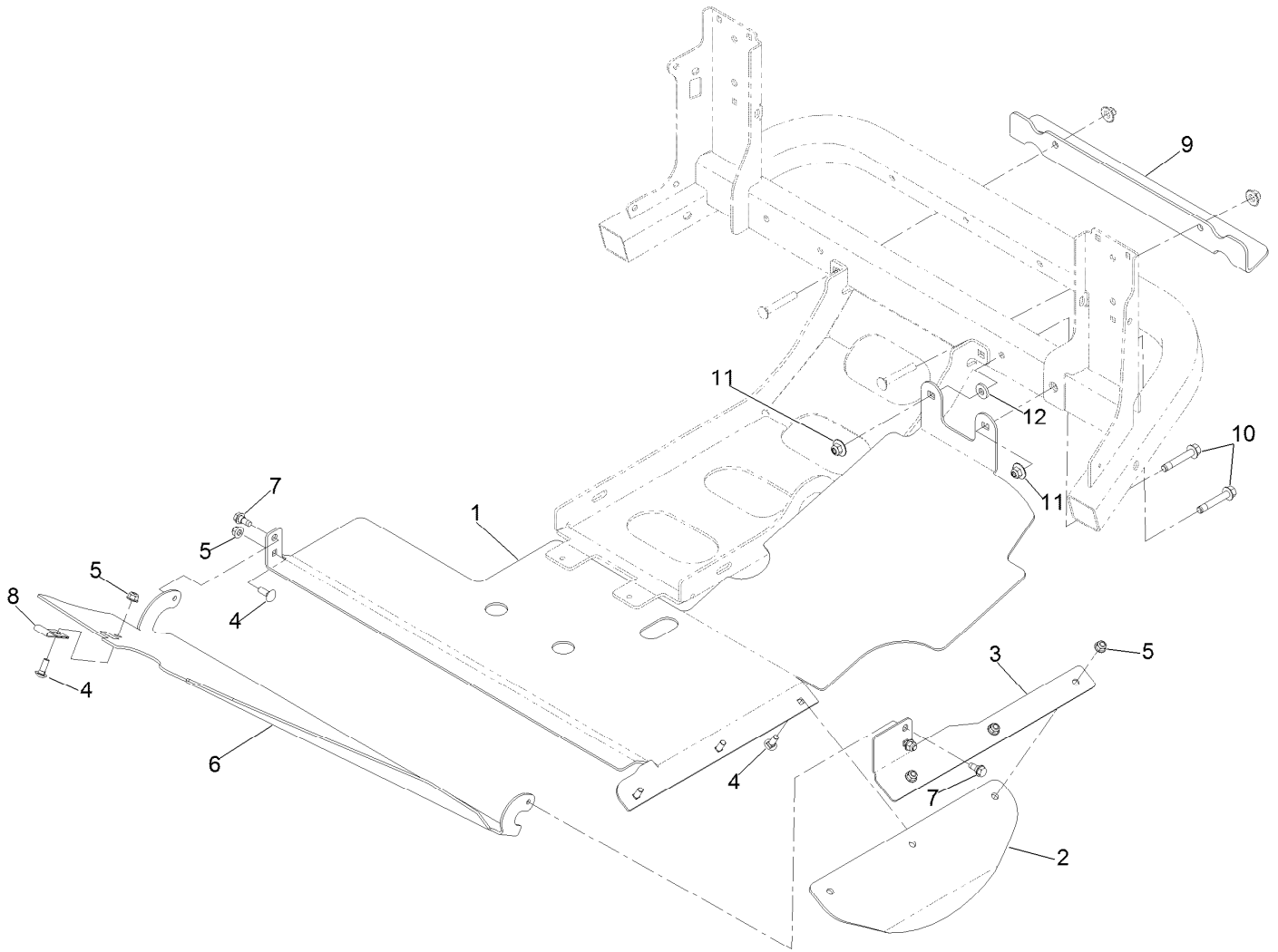


## Rear Caster Wheel Assembly (continued)

<i>Ref.</i>	<i>Part Number</i>	<i>Qty.</i>	<i>Description</i>	<i>Ref.</i>	<i>Part Number</i>	<i>Qty.</i>	<i>Description</i>
1	1-543509	2	Bearing-Roller, Tapered	6:2	112-7065	1	Tire
2	1-633508	3	Washer-Bellville	6:3	126-7904	1	Axle-Caster
3	135-3218	2	Guard, Seal	6:4	116-4004	2	Bearing
4	103-4882	1	Cap-Grease	7	325-20	1	Screw-HH
5	135-3793-01	1	Fork-Caster	8	3296-45	1	Nut-Hex
6		1	Wheel And Tire ASM ●	10	3296-51	1	Nut-Lock, NI
6:1	135-2646	1	Wheel	11	1-543511	1	Seal-Grease

● Not serviced separately

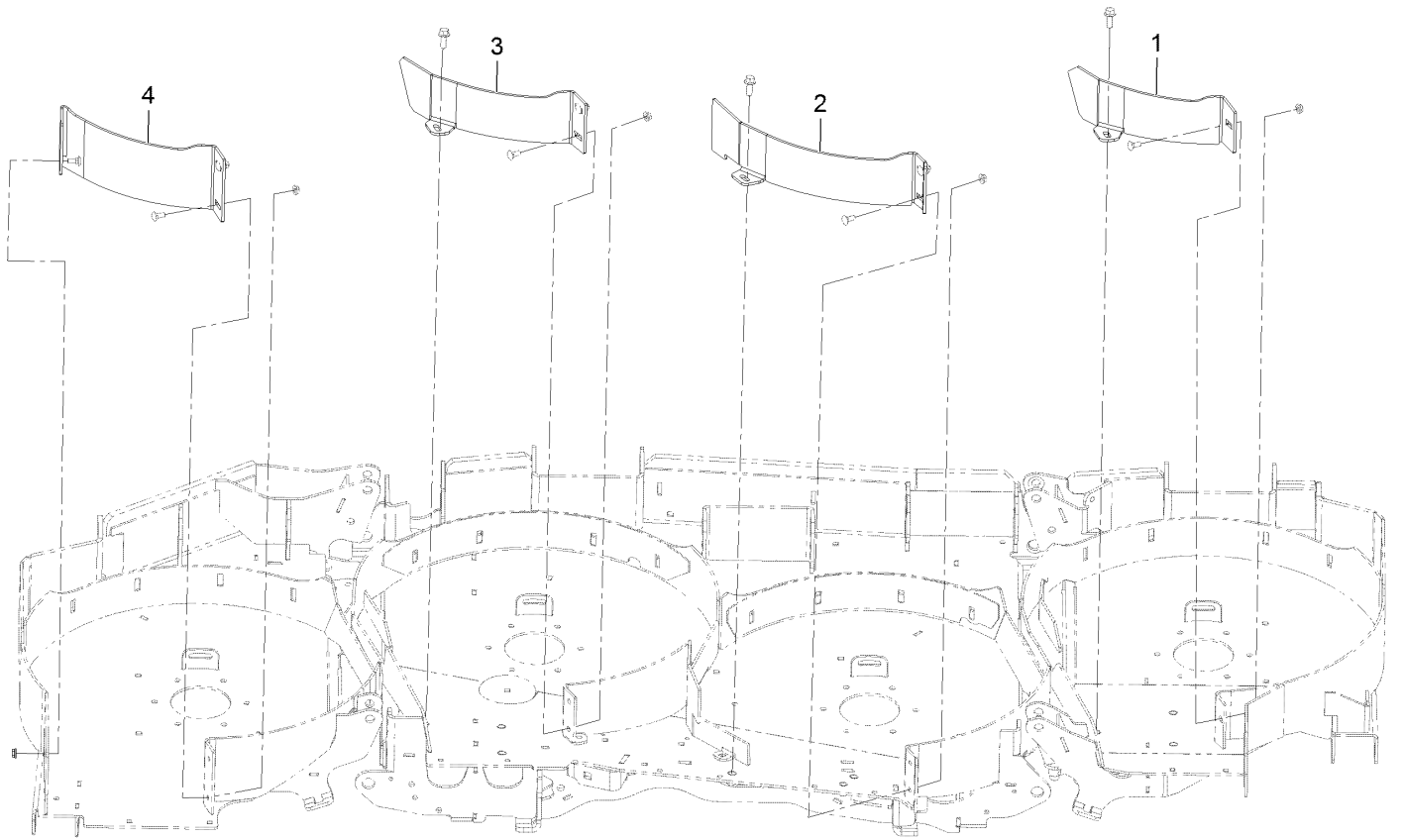
# Discharge Tunnel Assembly



## Discharge Tunnel Assembly (continued)

<i>Ref.</i>	<i>Part Number</i>	<i>Qty.</i>	<i>Description</i>	<i>Ref.</i>	<i>Part Number</i>	<i>Qty.</i>	<i>Description</i>
1	135-2089-03	1	Plate-Discharge	7	126-4424	2	Screw-Shoulder
2	135-0050	1	Flap-Rubber	8	135-0608	1	Bearing-Strap, Nylon
3	135-2090-03	1	Bracket-Flap, LH	9	135-2092-03	1	Bracket-Tie Down
4	3230-16	6	Bolt-Carriage 5/16-18 X 7/8	10	126-2956	2	Screw-HHF
5	104-8300	6	Nut-Nyloc 5/16-18 Flg	11	109-6658	2	Nut-Nyloc 3/8-16 Flg
6	135-2617-03	1	Panel-Discharge	12	43-0940	1	Spacer

# Mulch Kit Assembly No. 135-2449

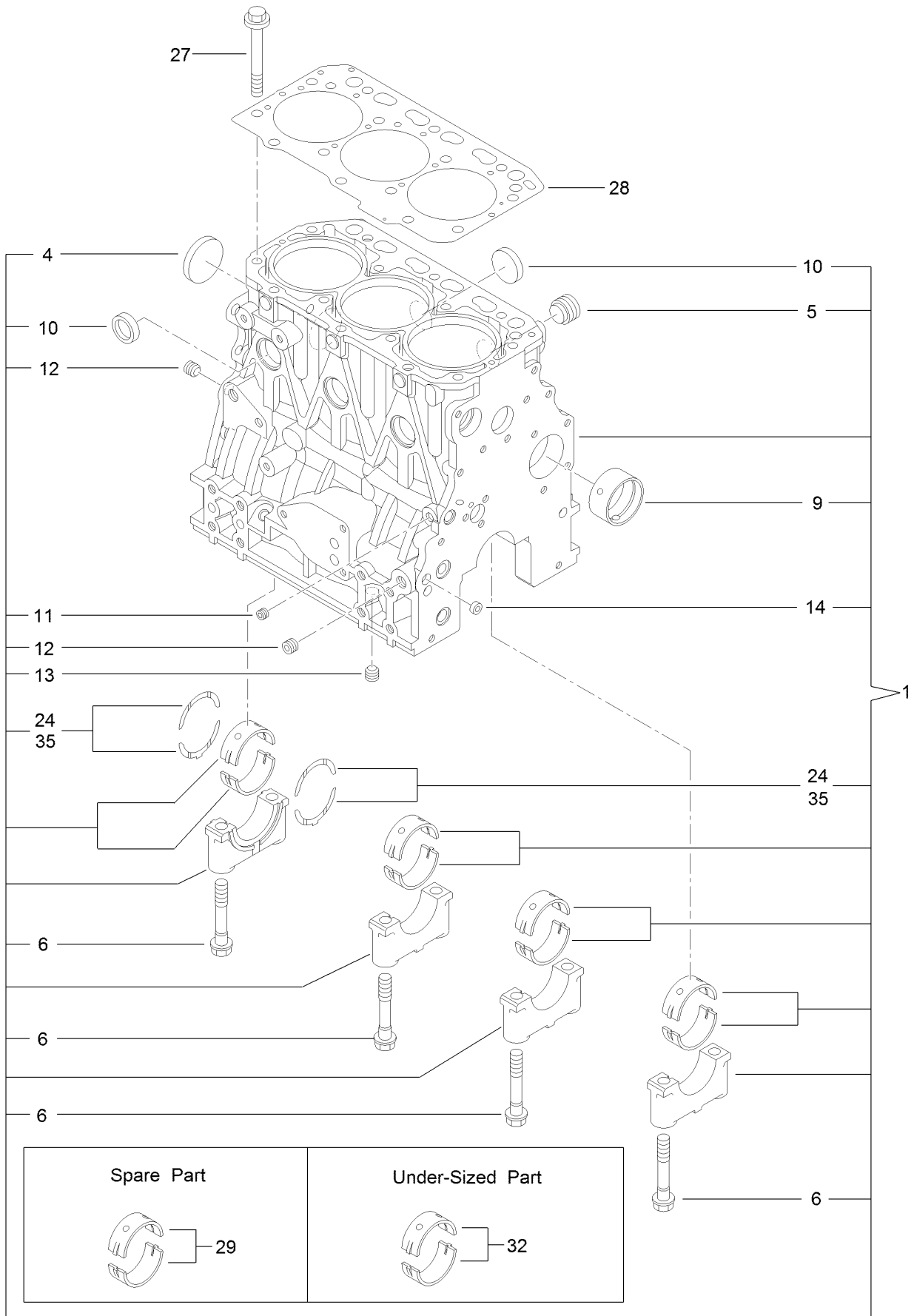


## Mulch Kit Assembly No. 135-2449 (continued)

<i>Ref.</i>	<i>Part Number</i>	<i>Qty.</i>	<i>Description</i>
1	135-3461-01	1	Baffle-Block
2	135-3462-01	1	Baffle-Block, LH Ctr

<i>Ref.</i>	<i>Part Number</i>	<i>Qty.</i>	<i>Description</i>
3	135-3463-01	1	Baffle-Block, RH Ctr
4	135-3540-01	1	Baffle-Block, RH Wing

# Cylinder Block Assembly

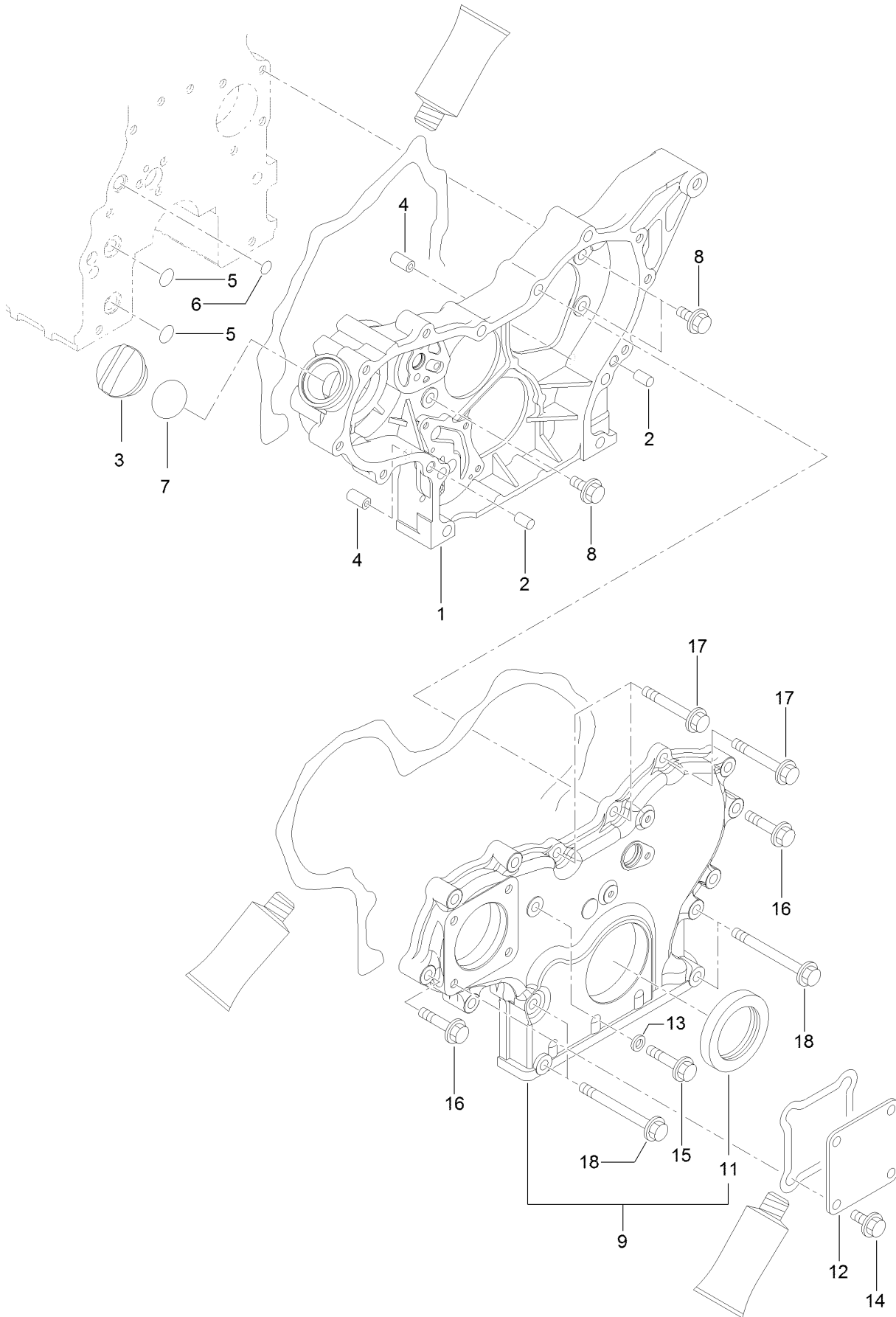




## Cylinder Block Assembly (continued)

<i>Ref.</i>	<i>Part Number</i>	<i>Qty.</i>	<i>Description</i>	<i>Ref.</i>	<i>Part Number</i>	<i>Qty.</i>	<i>Description</i>
1	127-4717	1	Cylinder Block ASM	13	125-6973	1	Plug
4	125-6980	1	Plug	14	125-7237	1	Plug
5	125-7170	1	Plug	24	125-7010	2	Metal-Thrust
6	125-7007	8	Bolt	27	125-7006	14	Bolt
9	125-7108	1	Bushing	28	127-4716	1	Head Gasket ASM
10	125-7239	6	Plug	29	125-6981	4	Metal-Main
11	125-6969	1	Plug	32	125-7009	4	Metal-Main (0.25)
12	125-6973	2	Plug	35	125-7011	1	Metal-Thrust (0.25)

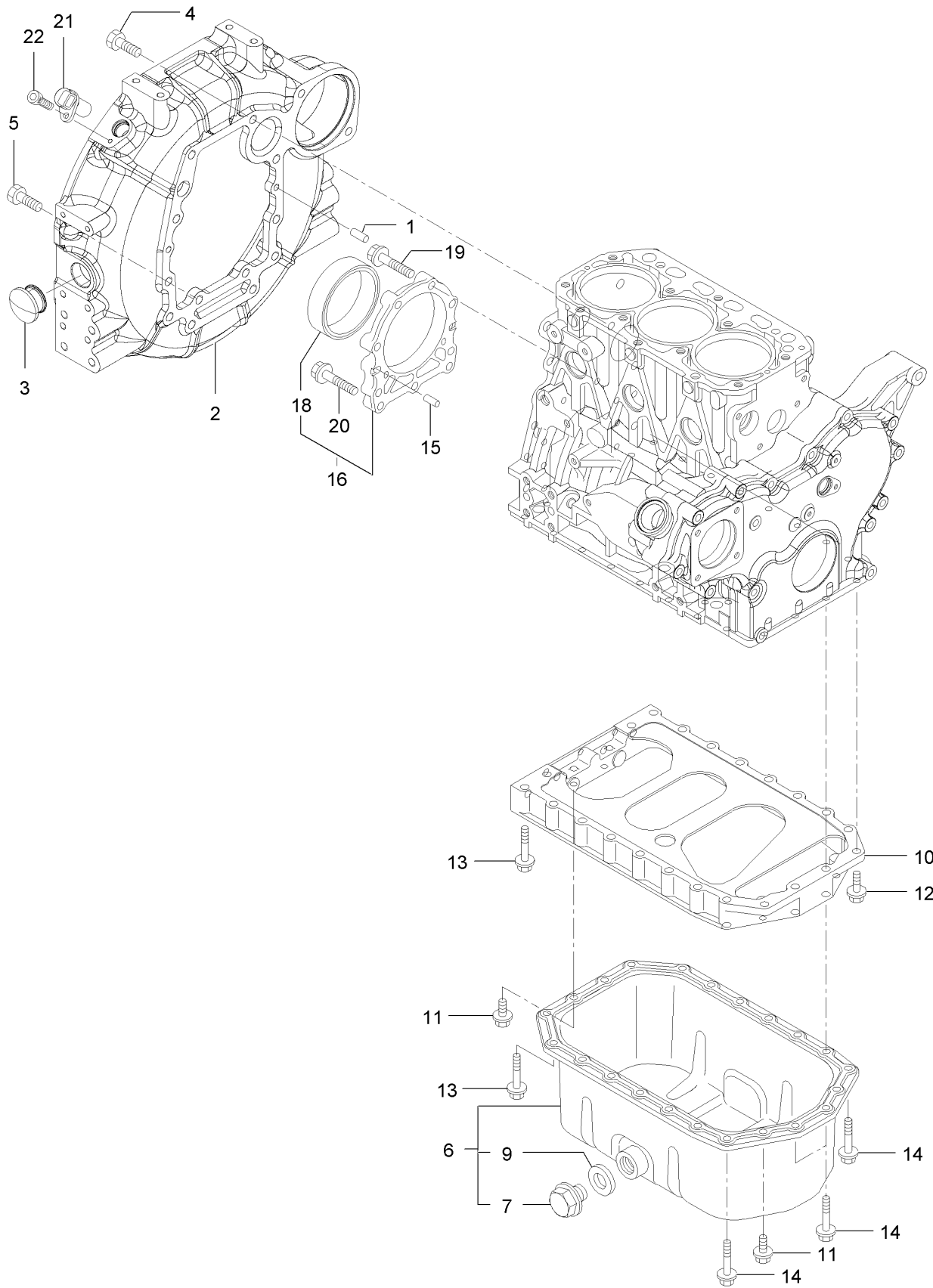
# Gear Housing Assembly



## Gear Housing Assembly (continued)

<i>Ref.</i>	<i>Part Number</i>	<i>Qty.</i>	<i>Description</i>	<i>Ref.</i>	<i>Part Number</i>	<i>Qty.</i>	<i>Description</i>
1	127-3023	1	Case-Gear	11	125-6944	1	Seal-Oil
2	125-6995	2	Pin	12	125-6977	1	Cover
3	125-6972	1	Cover-Filler	13	125-7174	1	Washer-Seal
4	125-7107	2	Pipe	14	100-6928	4	Bolt
5	125-6909	2	O-Ring	15	125-7217	1	Bolt
6	127-2973	1	O-Ring	16	125-7218	7	Bolt
7	125-7197	1	O-Ring	17	125-7222	3	Bolt
8	100-6928	3	Bolt	18	125-7224	4	Bolt
9	127-3024	1	Gearcase Cover ASM				

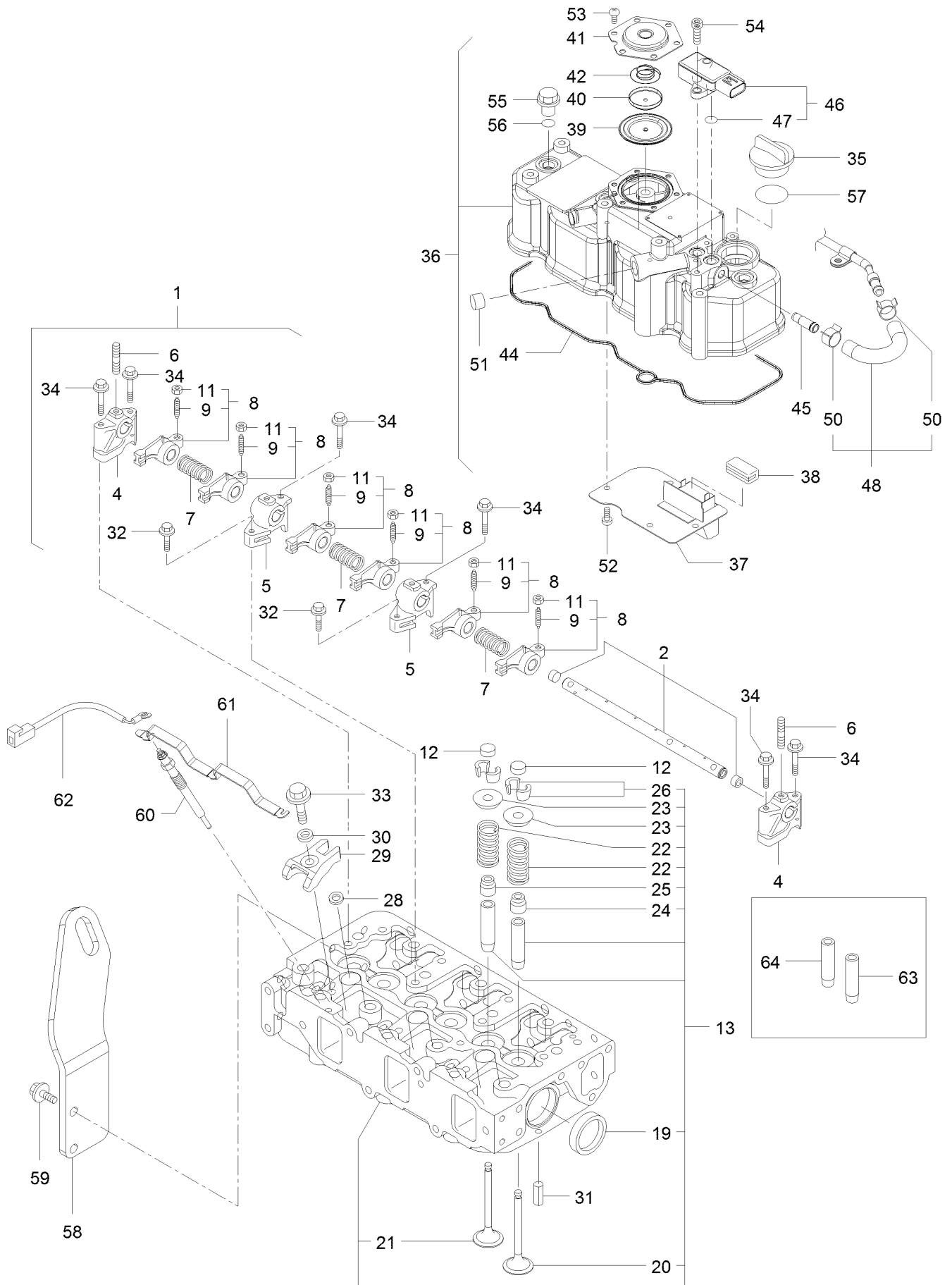
# Flywheel Housing and Oil Sump Assembly



## Flywheel Housing and Oil Sump Assembly (continued)

<i>Ref.</i>	<i>Part Number</i>	<i>Qty.</i>	<i>Description</i>	<i>Ref.</i>	<i>Part Number</i>	<i>Qty.</i>	<i>Description</i>
1	125-6995	2	Pin	12	125-7215	2	Bolt
2	127-4758	1	Housing-Flywheel	13	125-7219	16	Bolt
3	125-6910	1	Cap	14	125-7220	4	Bolt
4	125-7226	6	Bolt	15	125-6995	2	Pin
5	125-7227	4	Bolt	16	135-4011	1	Case ASM
6	135-4010	1	Oil Pan ASM	18	125-7106	1	Seal-Oil
7	125-6912	1	Plug-Drain	19	125-7045	6	Bolt
9	125-7177	1	Washer-Seal	20	125-7217	3	Bolt
10	127-3756	1	Spacer	21	127-3062	1	Sensor-Rev, Flywheel
11	100-6928	4	Bolt	22	127-3184	1	Bolt

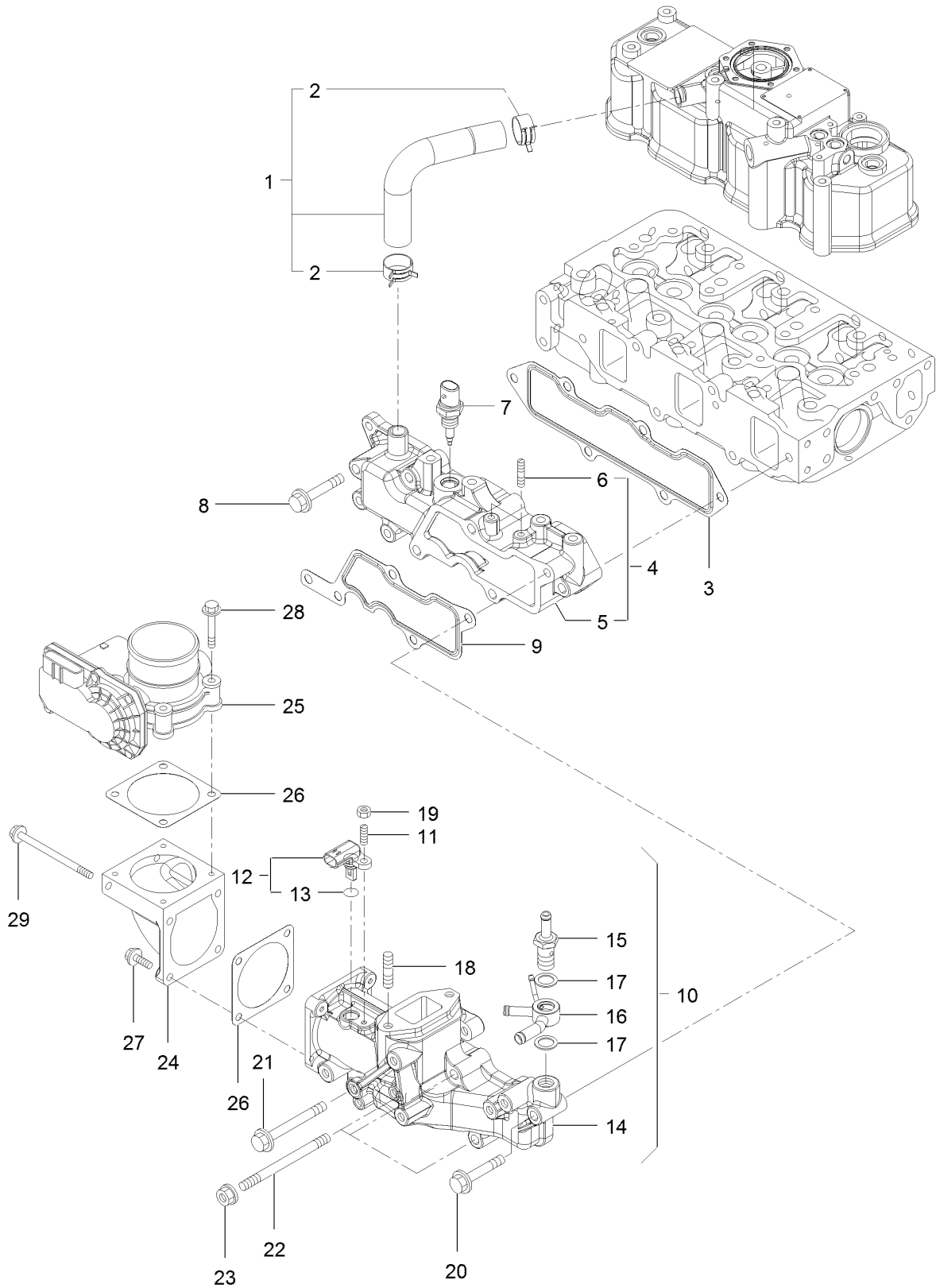
# Cylinder Head and Cover Assembly



## Cylinder Head and Cover Assembly (continued)

<i>Ref.</i>	<i>Part Number</i>	<i>Qty.</i>	<i>Description</i>	<i>Ref.</i>	<i>Part Number</i>	<i>Qty.</i>	<i>Description</i>
1	127-3757	1	Shaft ASM	36	127-4719	1	Cylinder Head Cover ASM
2	127-3758	1	Shaft	37	127-2988	1	Plate
4	127-2974	2	Support	38	125-7012	1	Baffle
5	127-2975	2	Support	39	125-6959	1	Diaphragm
6	135-4012	3	Bolt,Stud	40	125-6960	1	Plate
7	127-2995	3	Spring	41	125-6961	1	Plate-Breather
8	127-2989	6	Arm-Rocker	42	125-6962	1	Spring-Diaphragm
9	125-7013	6	Screw-Adjust, Valve	44	127-3856	1	Gasket-Valve Cover
11	125-7014	6	Nut	45	127-3026	1	Joint
12	127-2996	6	Cap-Valve	46	127-3029	1	Sensor-Pressure
13	127-4720	1	Cylinder Head ASM	47	127-3032	2	O Ring-Sensor, Pressure
19	125-7240	2	Plug	48	127-3040	1	Hose ASM
20	127-2990	3	Valve	50	127-3041	2	Clip-Hose
21	127-4710	3	Valve	51	125-6913	1	Plug
22	127-3012	6	Spring	52	125-7186	4	Screw
23	127-3013	6	Retainer-Spring	53	125-7186	6	Screw
24	127-2986	3	Seal-Stem, Valve	54	127-3184	2	Bolt
25	127-3027	3	Seal-Stem, Valve	55	125-6974	3	Knob
26	127-3186	6	Pin-Cotter	56	93-0418	3	O-Ring
28	127-3021	3	Gasket-Injector	57	125-7197	1	O-Ring
29	127-3028	3	Retainer-Injector	58	127-4718	1	Lifter-Engine
30	127-2980	3	Washer-Injector	59	100-6928	2	Bolt
31	125-7184	2	Pin-Spring	60	127-2991	3	Plug-Glow
32	125-7215	2	Bolt	61	127-3768	1	Connector-Plug, Glow
33	125-7217	3	Bolt	62	131-2704	1	Harness-Wire
34	125-7220	6	Bolt	63	127-2979	3	Guide
35	125-6972	1	Cover-Filler	64	127-2997	3	Guide-Valve

# Suction Manifold Assembly

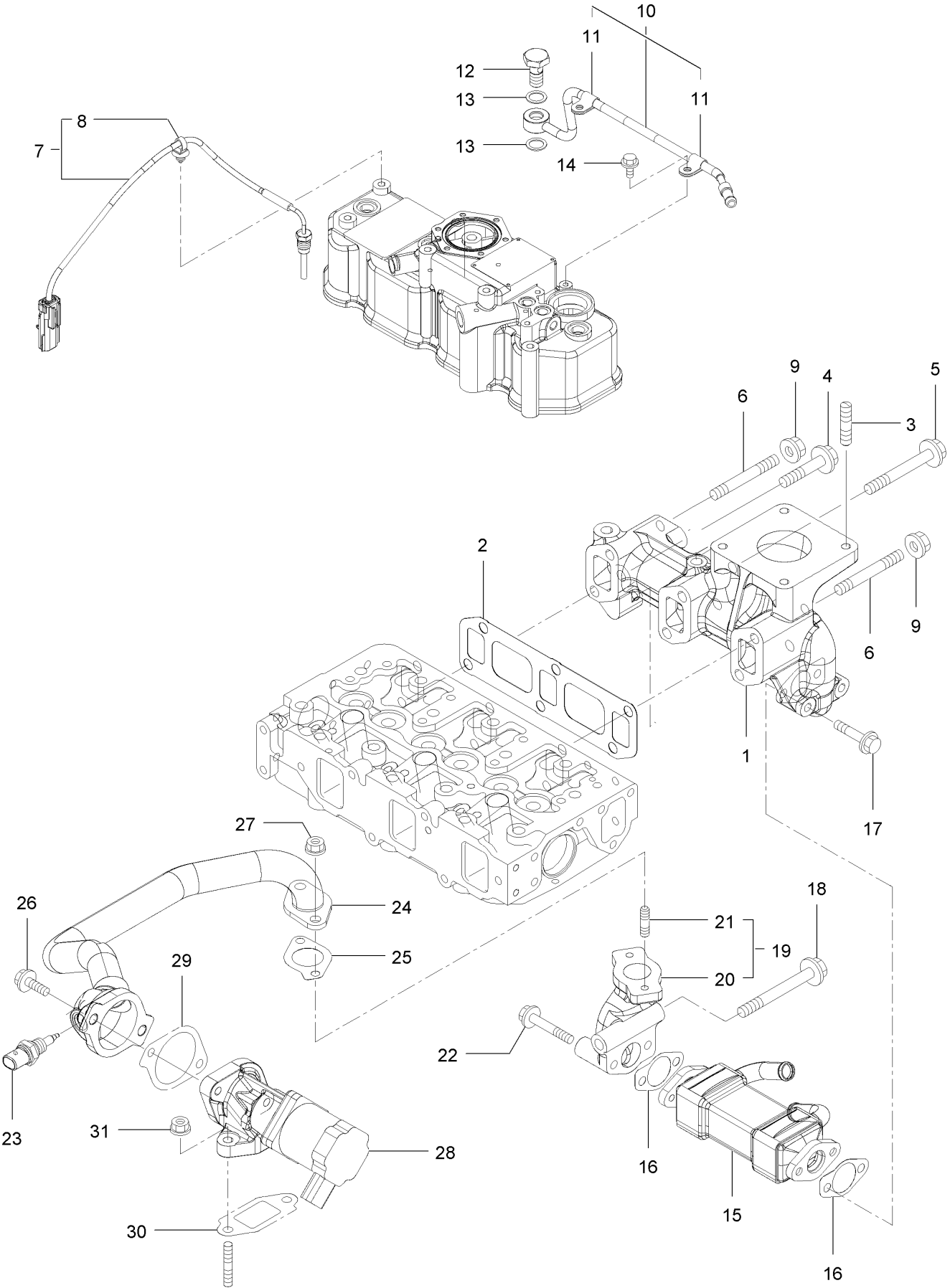




## Suction Manifold Assembly (continued)

<i>Ref.</i>	<i>Part Number</i>	<i>Qty.</i>	<i>Description</i>	<i>Ref.</i>	<i>Part Number</i>	<i>Qty.</i>	<i>Description</i>
1	127-4704	1	Pipe	16	127-3081	1	Joint-Hose
2	125-7040	2	Clip-Hose	17	127-3166	2	Washer-Seal
3	127-3857	1	Gasket-Manifold, Intake	18	127-3181	2	Stud
4	127-4722	1	Intake Manifold ASM	19	127-4775	1	Nut
5	127-4721	1	Manifold-Intake	20	125-7220	1	Bolt
6	127-3180	2	Stud	21	127-3178	1	Bolt
7	127-3031	1	Sensor-Temp, Air	22	127-3182	3	Stud
8	125-7220	3	Bolt	23	125-7229	3	Nut
9	127-3034	1	Gasket-Collector	24	127-3035	1	Bend-Inlet
10	127-4725	1	Intake Collector ASM	25	127-3036	1	Body-Throttle
11	127-4701	1	Stud	26	127-3037	2	Gasket-Throttle
12	127-3030	1	Sensor-Temp, Air	27	125-7209	2	Bolt
13	127-3033	1	O-Ring	28	125-7211	4	Bolt
14	127-4724	1	Collector-Intake	29	127-3177	2	Bolt
15	127-3080	1	Joint-Hose				

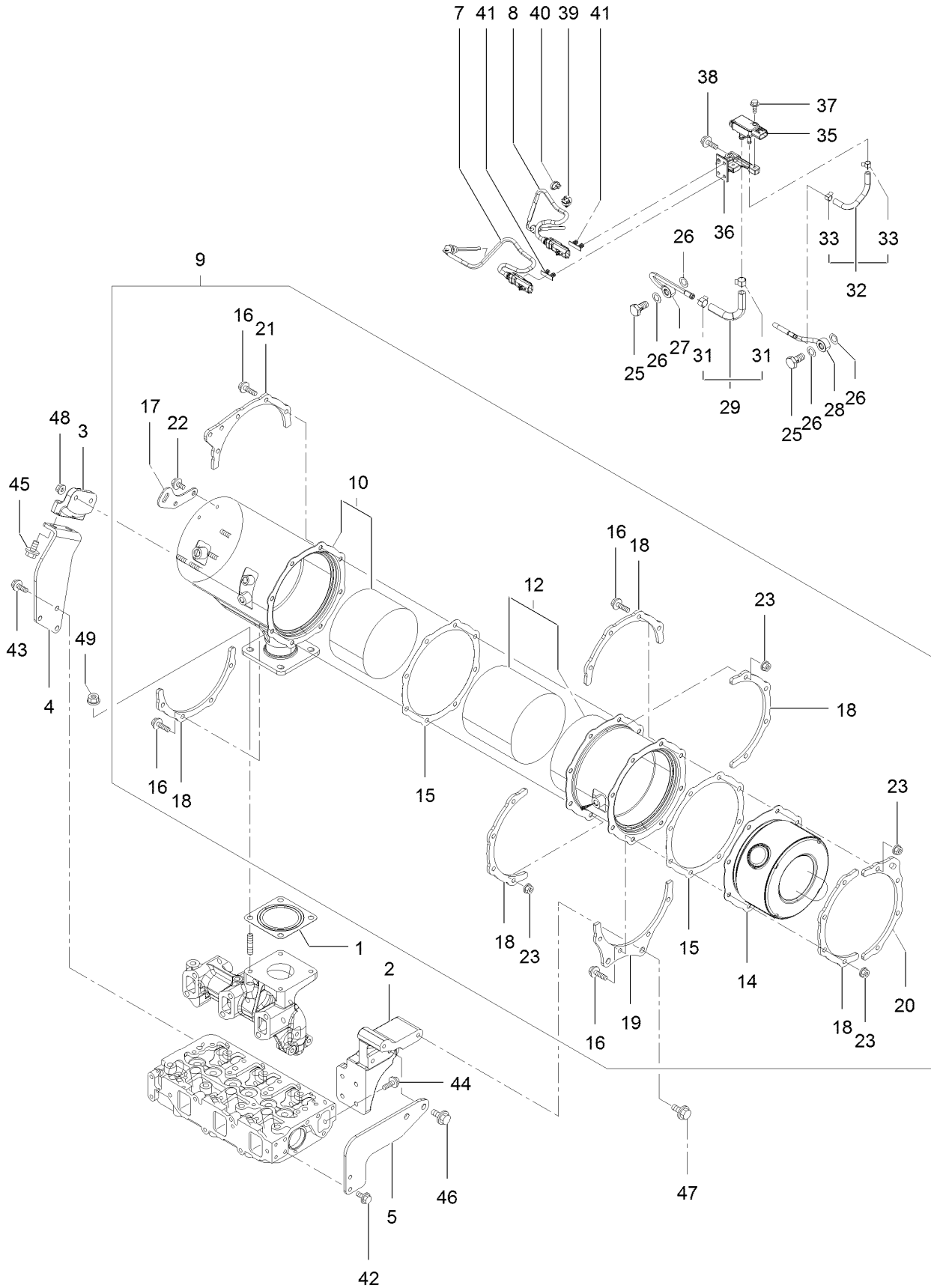
# Exhaust Manifold Assembly



## Exhaust Manifold Assembly (continued)

<i>Ref.</i>	<i>Part Number</i>	<i>Qty.</i>	<i>Description</i>	<i>Ref.</i>	<i>Part Number</i>	<i>Qty.</i>	<i>Description</i>
1	127-4726	1	Manifold-Exhaust	17	135-4015	2	Bolt
2	127-3775	1	Gasket-Manifold, Exhaust	18	135-4016	1	Bolt
3	127-2984	4	Stud	19	127-3048	1	E G R Pipe ASM
4	135-4013	1	Bolt	20	127-3049	1	Pipe-Out, E G R
5	135-4014	3	Bolt	21	125-7043	2	Stud
6	127-4756	2	Stud	22	125-7220	2	Bolt
7	127-4729	1	Sensor-Temp, Exhaust	23	137-5168	1	Sensor-Gas Temp, E G R
8	127-3087	1	Band-Clip	24	127-3780	1	E G R Pipe ASM
9	125-7230	2	Nut	25	127-3016	1	Gasket
10	127-3038	1	Exhaust Pipe ASM	26	125-7215	2	Bolt
11	127-3173	2	Clamp	27	125-7229	2	Nut
12	127-3039	1	Bolt-Joint, Pipe	28	127-3781	1	Valve-E G R
13	127-3174	2	Gasket	29	127-3050	1	Gasket-Intake Valve, E G R
14	125-7206	2	Bolt	30	127-3051	1	Gasket-Out Valve, E G R
15	127-3042	1	Cooler-E G R	31	125-7229	2	Nut
16	127-3043	2	Gasket-Cooler, E G R				

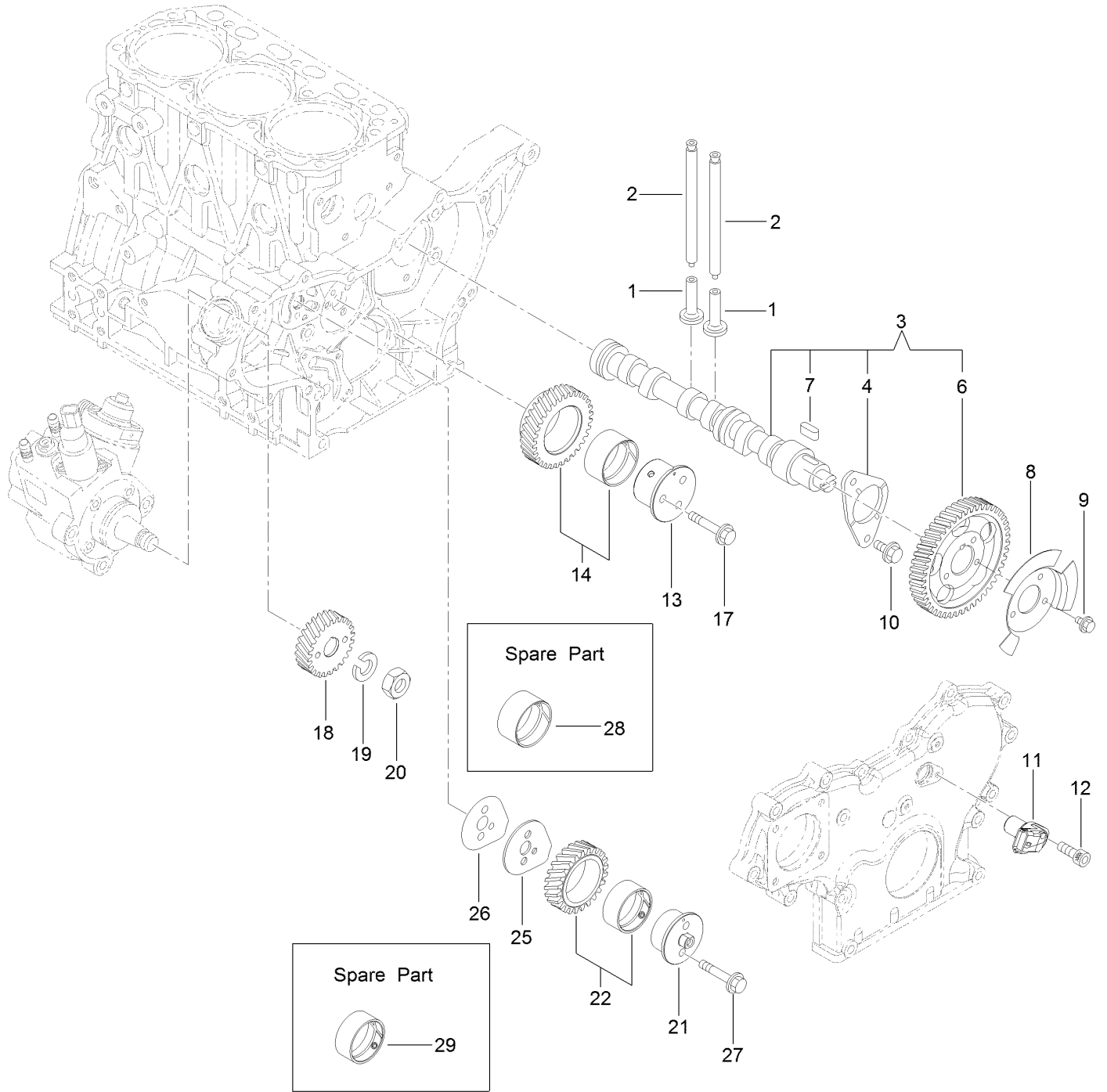
# Diesel Particulate Filter Assembly



## Diesel Particulate Filter Assembly (continued)

<i>Ref.</i>	<i>Part Number</i>	<i>Qty.</i>	<i>Description</i>	<i>Ref.</i>	<i>Part Number</i>	<i>Qty.</i>	<i>Description</i>
1	127-2987	1	Gasket-Silencer	27	127-4744	1	Sensor Pipe ASM
2	127-4738	1	Stay-D P F	28	127-4745	1	Sensor Pipe ASM
3	127-4739	1	Stay-D P F	29	127-4747	1	Exhaust Hose ASM
4	127-4740	1	Stay-D P F	31	127-3057	2	Clip-Hose
5	127-4741	1	Stay-D P F	32	127-4748	1	Exhaust Hose ASM
7	127-4764	1	Sensor-Temp, Exhaust	33	127-3058	2	Clip-Hose
8	127-4765	1	Sensor-Temp, Exhaust	35	127-3060	1	Sensor-Pressure
9	127-4759	1	D P F ASM	36	127-4750	1	Bracket-Sensor
10	127-4732	1	Case-D O C	37	125-7208	2	Bolt
12	127-4734	1	Case-Filter, Soot	38	125-7595	2	Bolt
14	127-3786	1	Silencer-D P F	39	127-3087	1	Band-Clip
15	127-3859	2	Gasket-D P F	40	127-3124	1	Band
16	127-3055	16	Bolt	41	127-3088	2	Clip-Connector
17	127-3788	1	Lifter-D P F	42	100-6928	2	Bolt
18	127-3789	5	Stiffener-D P F, A	43	100-6928	3	Bolt
19	127-4735	1	Stiffener-D P F, B	44	125-7594	4	Bolt
20	127-3792	1	Stiffener-D P F, C	45	127-4773	2	Bolt
21	127-4736	1	Stiffener-D P F, C	46	127-3179	2	Bolt
22	125-7213	2	Bolt	47	127-3179	2	Bolt
23	125-7229	16	Nut	48	127-3179	2	Bolt
25	127-3039	2	Bolt-Joint, Pipe	49	125-7230	4	Nut
26	127-3056	4	Gasket-Sensor				

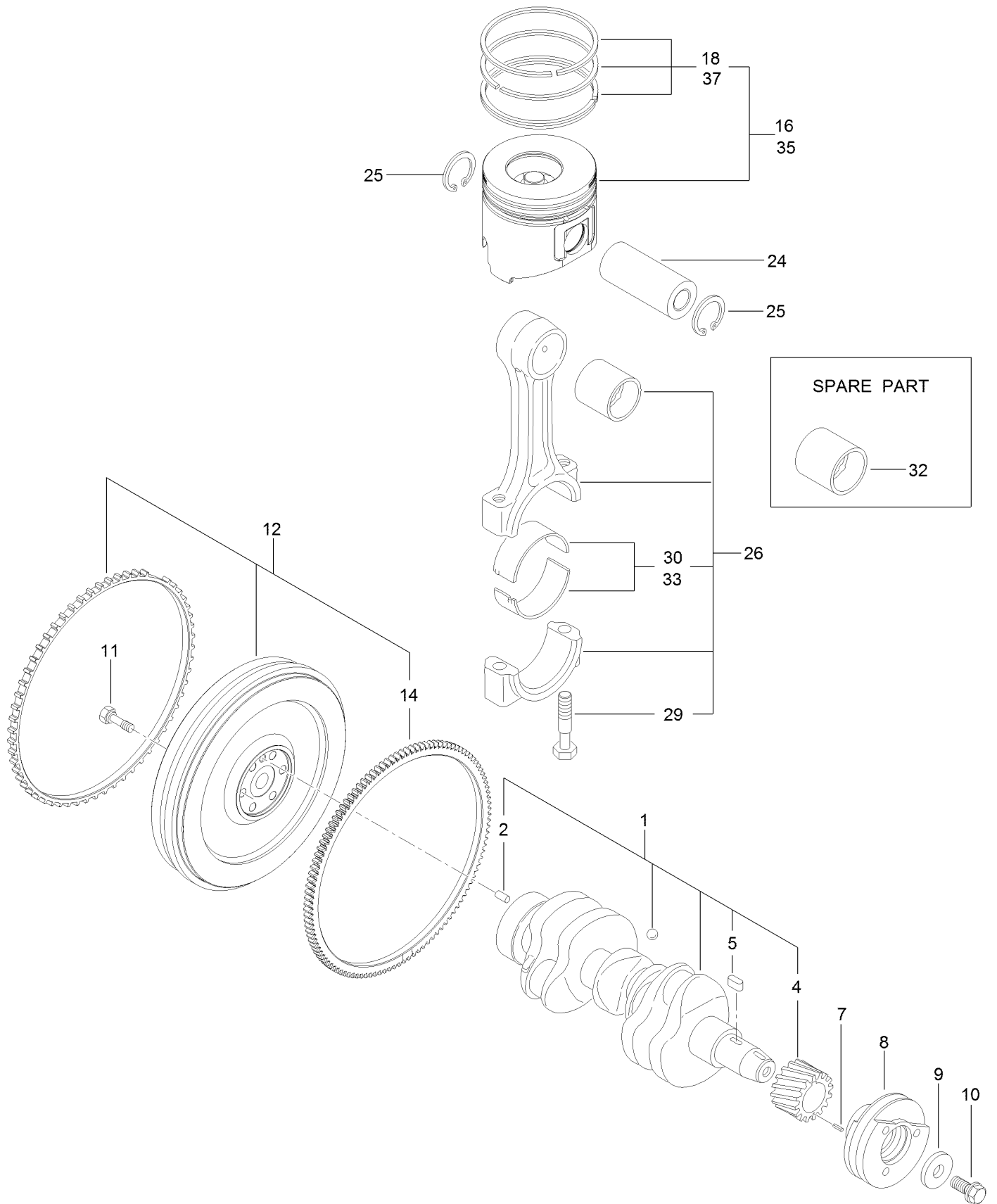
# Camshaft and Driving Gear Assembly



## Camshaft and Driving Gear Assembly (continued)

<i>Ref.</i>	<i>Part Number</i>	<i>Qty.</i>	<i>Description</i>	<i>Ref.</i>	<i>Part Number</i>	<i>Qty.</i>	<i>Description</i>
1	125-7016	6	Tappet	14	127-3066	1	Idle Gear A ASM
2	125-7017	6	Rod-Push	17	125-7219	3	Bolt
3	127-3797	1	Camshaft ASM	18	127-3070	1	Gear-Pump, Supply
4	125-7008	1	Metal-Thrust	19	127-3167	1	Washer-Spring
6	127-3052	1	Gear-Camshaft	20	127-3185	1	Nut-Lock
7	125-7185	1	Key	21	127-3064	1	Shaft-Idle, Gear B
8	127-3053	1	Pulser-Camshaft	22	127-3067	1	Idle Gear B ASM
9	125-7205	3	Bolt	25	127-3068	1	Plate-Idle, Shaft
10	125-7213	2	Bolt	26	127-3069	1	Gasket-Idle, Shaft B
11	127-3054	1	Sensor-Rev, Gear	27	125-7218	2	Bolt
12	127-3184	1	Bolt	28	125-6927	1	Bushing
13	127-3063	1	Shaft-Idle, Gear A	29	127-3065	1	Bushing

# Crankshaft and Piston Assembly

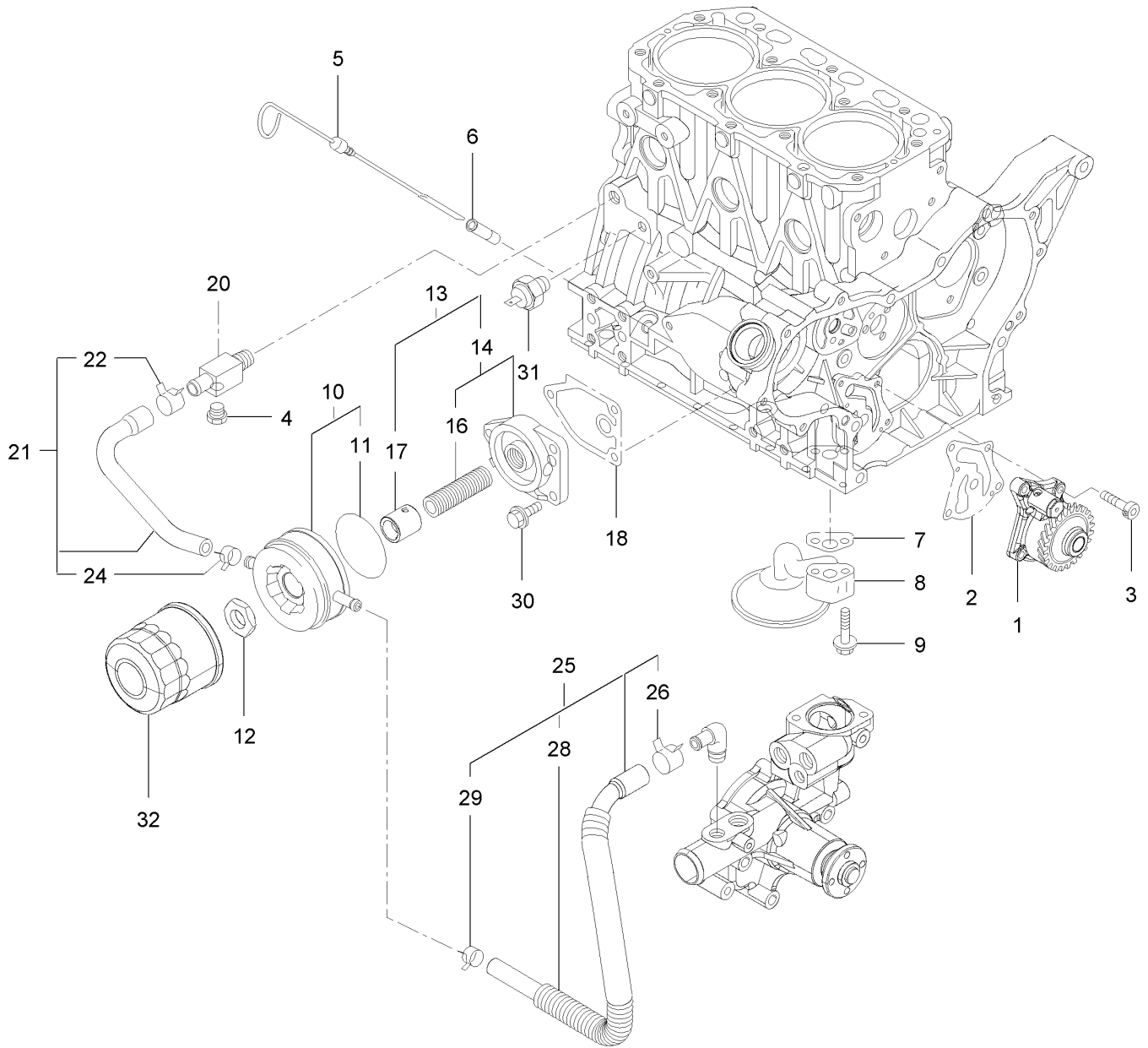




## Crankshaft and Piston Assembly (continued)

<i>Ref.</i>	<i>Part Number</i>	<i>Qty.</i>	<i>Description</i>	<i>Ref.</i>	<i>Part Number</i>	<i>Qty.</i>	<i>Description</i>
1	127-3800	1	Crankshaft ASM	16	127-4766	3	Piston ASM
2	125-6995	1	Pin	18	127-4751	3	Piston Ring ASM
4	125-6937	1	Gear	24	125-7030	3	Pin
5	125-7185	1	Key	25	125-7180	6	Ring
7	125-7182	1	Pin-Spring	26	125-7242	3	Connecting Rod ASM
8	127-3801	1	Pulley-V	29	125-6955	6	Bolt
9	125-7109	1	Washer	30	125-7018	3	Pin-Crank
10	125-6956	1	Bolt	32	125-6997	3	Pin-Piston
11	125-6951	6	Bolt	33	125-7019	3	Pin-Crank (.25)
12	127-4761	1	Flywheel ASM	35	127-4767	3	Piston ASM (0.25 O S)
14	127-4703	1	Gear	37	127-4752	3	Ring Set (0.25 O S)

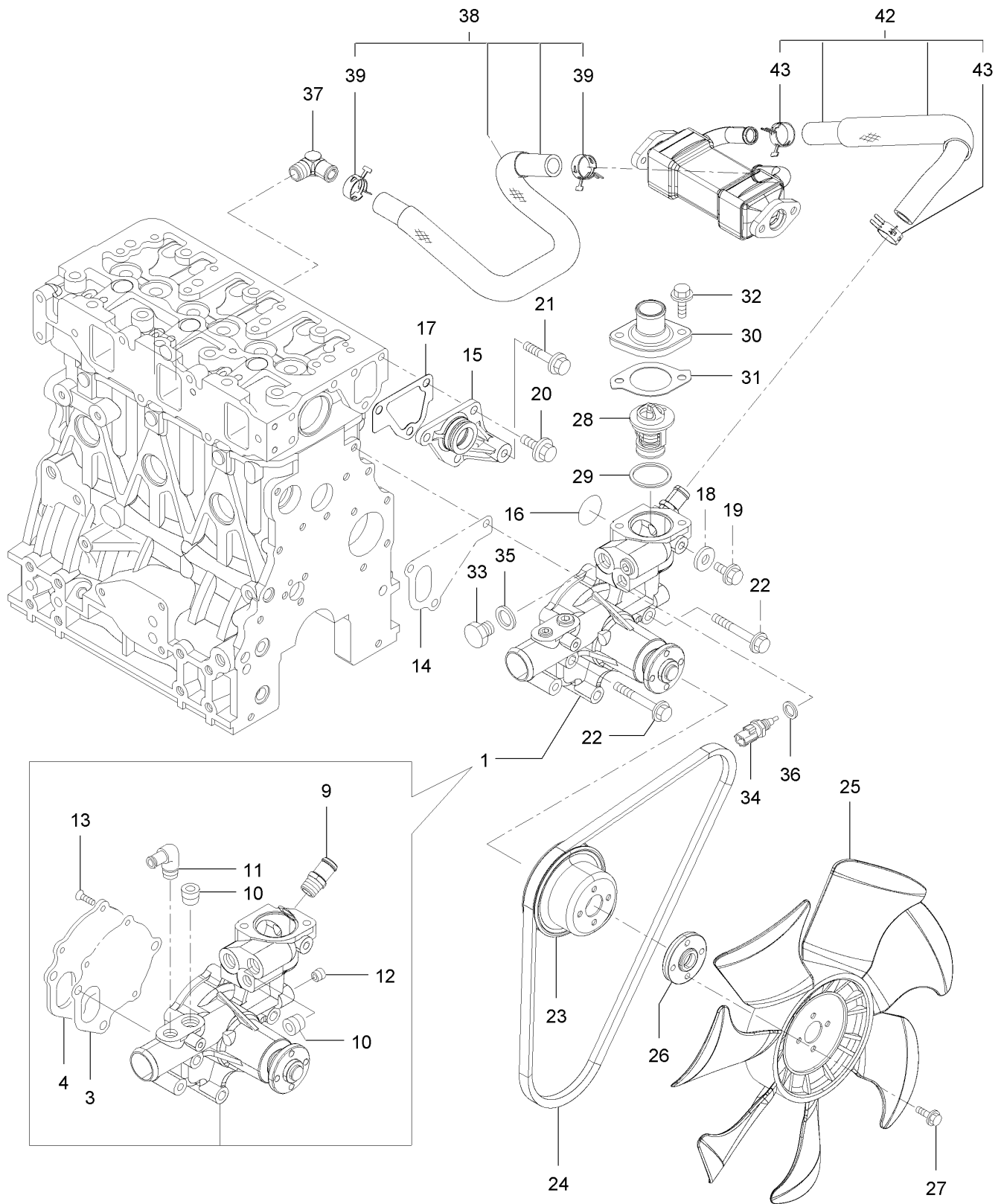
# Oil Pump Assembly



## Oil Pump Assembly (continued)

<i>Ref.</i>	<i>Part Number</i>	<i>Qty.</i>	<i>Description</i>	<i>Ref.</i>	<i>Part Number</i>	<i>Qty.</i>	<i>Description</i>
1	127-4753	1	Oil Pump ASM	16	125-7042	1	Stud
2	127-3004	1	Gasket	17	135-4022	1	Collar-Cooler, Oil
3	125-7232	4	Bolt	18	125-7024	1	Gasket
4	125-7171	1	Plug-Drain	20	125-6990	1	Joint
5	125-6987	1	Dipstick	21	125-7078	1	Pipe ASM
6	125-6954	1	Guide-Dipstick	22	125-7162	1	Clip
7	125-7022	1	Gasket	24	125-7191	1	Clamp-Hose
8	135-4017	1	Oil Inlet Pipe ASM	25	127-3804	1	Pipe ASM
9	125-7217	2	Bolt	26	125-7162	1	Clip
10	135-4018	1	Oil Cooler ASM	28	127-3805	1	Tube
11	135-4019	1	Packing-Oil Cooler	29	125-7191	1	Clamp-Hose
12	135-4020	1	Nut	30	125-7595	3	Bolt
13	135-4021	1	Lo Filter Bracket ASM	31	125-6918	1	Switch-Oil
14	125-6989	1	Bracket ASM	32	125-7025	1	Filter-Engine, Oil

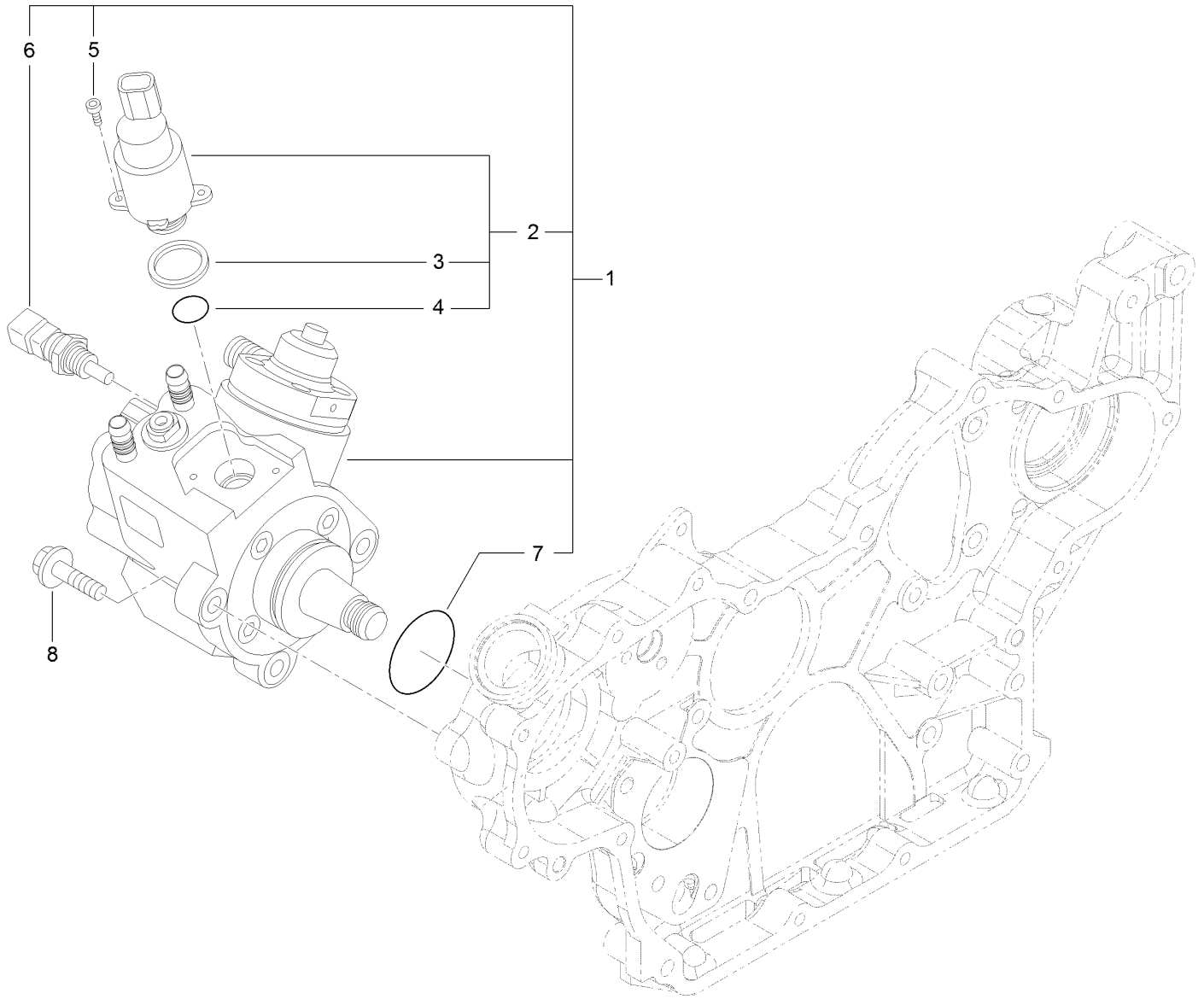
# Cooling Water System Assembly



## Cooling Water System Assembly (continued)

<i>Ref.</i>	<i>Part Number</i>	<i>Qty.</i>	<i>Description</i>	<i>Ref.</i>	<i>Part Number</i>	<i>Qty.</i>	<i>Description</i>
1	127-3071	1	Water Pump ASM	24	127-4771	1	V-Belt
3	125-6998	1	Gasket	25	127-4702	1	Fan
4	125-6999	1	Plate	26	127-3810	1	Spacer
9	127-3017	1	Joint	27	125-7209	4	Bolt
10	125-7123	2	Plug	28	125-7029	1	Thermostat
11	125-7001	1	Elbow	29	125-7026	1	Gasket
12	125-7195	1	Plug	30	125-7034	1	Cover
13	125-7234	3	Screw	31	125-7110	1	Gasket
14	125-7047	1	Gasket	32	125-7594	2	Bolt
15	125-6986	1	Joint	33	125-6953	1	Plug
16	125-7048	1	O-Ring	34	125-7124	1	Sensor-Thermostat, CW
17	125-6978	1	Gasket	35	125-6979	1	Gasket
18	125-7192	1	Gasket	36	125-7176	1	Washer-Seal
19	93-0362	1	Bolt	37	127-4705	1	Elbow
20	100-6928	3	Bolt	38	127-4757	1	E G R-C Pipe ASM
21	125-7219	1	Bolt	39	127-3020	2	Clip-Hose
22	125-7222	3	Bolt	42	127-3811	1	CW Pipe ASM
23	127-4712	1	V-Pulley	43	127-3020	2	Clip-Hose

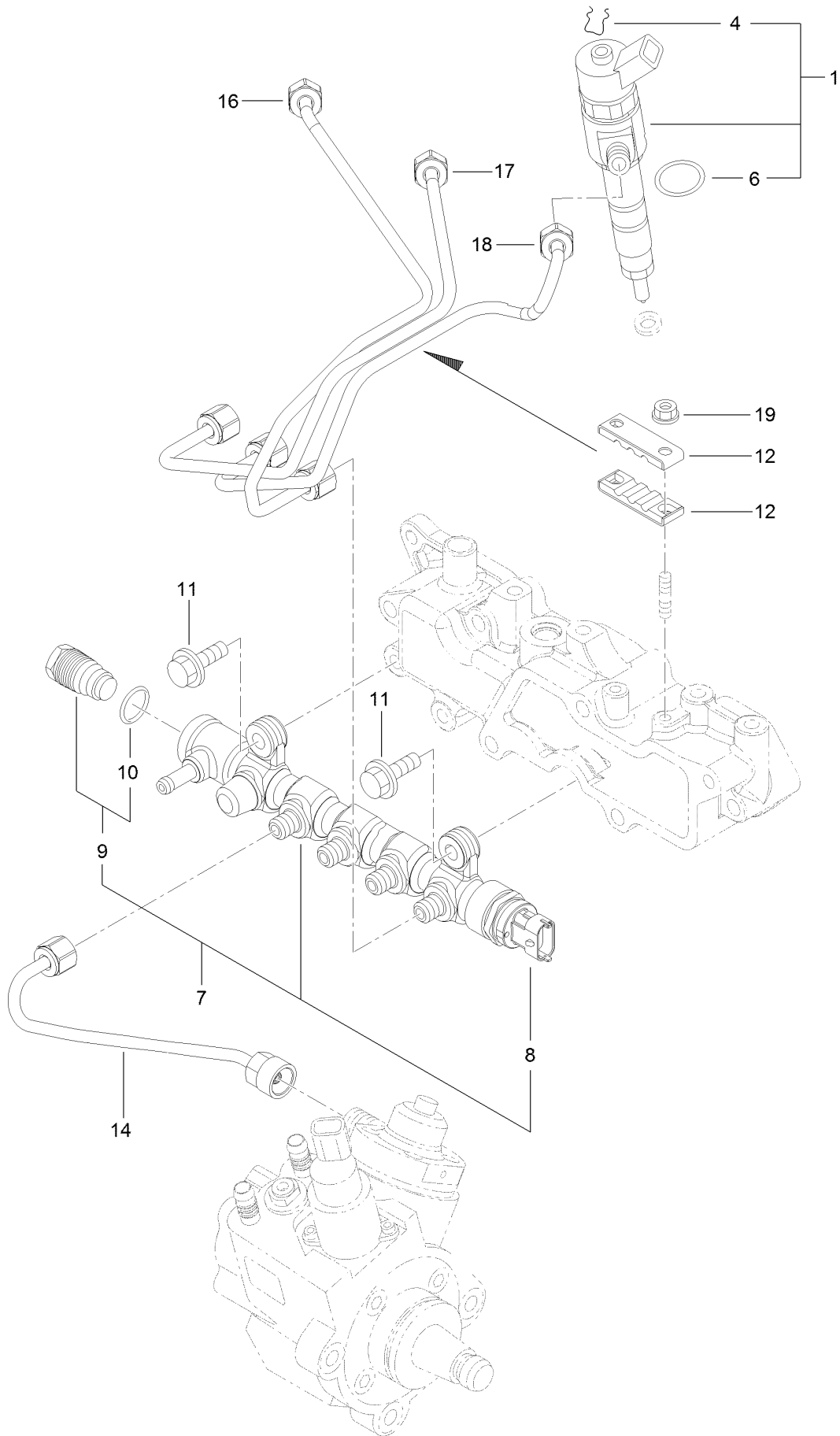
# Fuel Supply Pump Assembly



## Fuel Supply Pump Assembly (continued)

<i>Ref.</i>	<i>Part Number</i>	<i>Qty.</i>	<i>Description</i>	<i>Ref.</i>	<i>Part Number</i>	<i>Qty.</i>	<i>Description</i>
1	127-3073	1	Fuel Pump ASM	5	131-2107	2	Bolt
2	131-2103	1	Valve ASM	6	131-2108	1	Sensor-Temperature
3	131-2105	1	Ring-Sealing	7	127-3074	1	O-Ring
4	131-2106	1	O-Ring	8	125-7216	3	Bolt

# Fuel Injection Valve Assembly

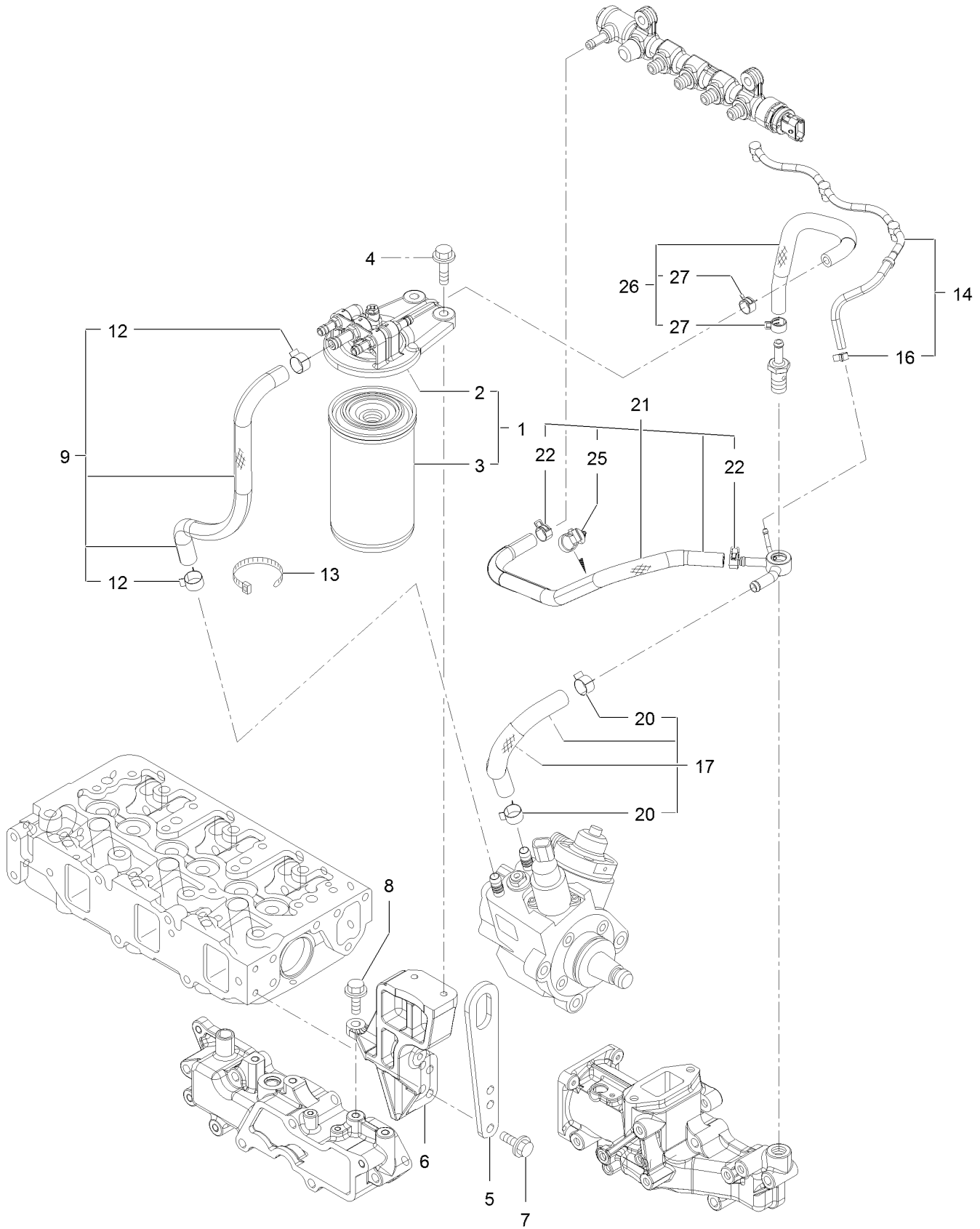




## Fuel Injection Valve Assembly (continued)

<i>Ref.</i>	<i>Part Number</i>	<i>Qty.</i>	<i>Description</i>	<i>Ref.</i>	<i>Part Number</i>	<i>Qty.</i>	<i>Description</i>
1	127-4754	3	Injector ASM	11	125-7215	2	Bolt
4	130-7430	3	Ring-Retaining	12	127-3813	2	Retainer
6	137-5173	3	O-Ring	14	127-3082	1	Rail In Pipe ASM
7	127-3812	1	Rail ASM	16	127-3814	1	Injection Pipe ASM
8	131-2709	1	Sensor-Pressure, Rail	17	127-3083	1	Injection Pipe ASM
9	131-2710	1	Valve ASM	18	127-3084	1	Injection Pipe ASM
10	130-7433	1	O-Ring	19	125-7231	2	Nut

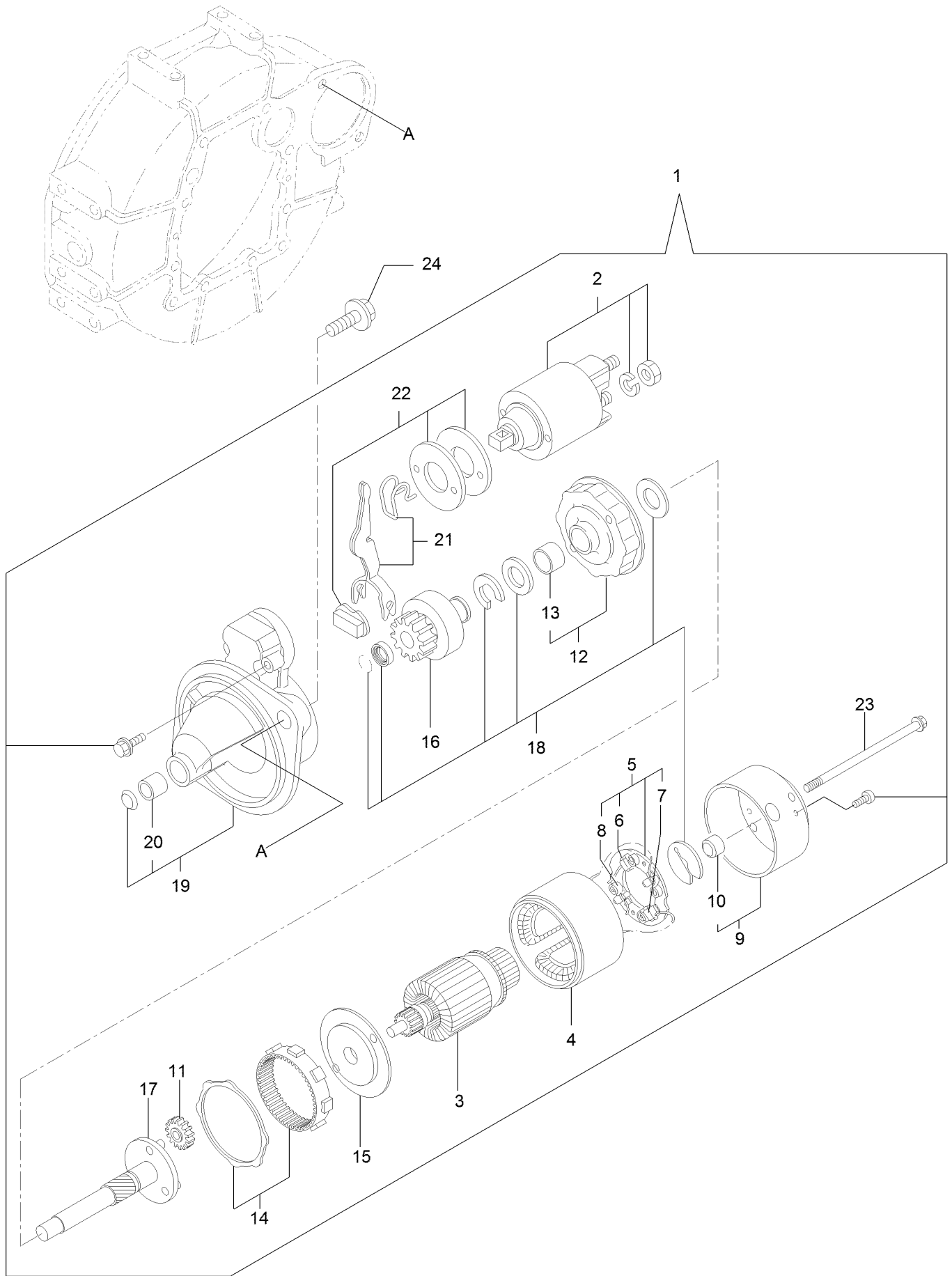
# Fuel Line Assembly



## Fuel Line Assembly (continued)

<i>Ref.</i>	<i>Part Number</i>	<i>Qty.</i>	<i>Description</i>	<i>Ref.</i>	<i>Part Number</i>	<i>Qty.</i>	<i>Description</i>
1	127-3075	1	Fuel/Oil Filter ASM	13	127-2981	1	Band
2	127-3076	1	Fuel/Oil Filter Bracket ASM	14	135-4023	1	Fuel/Oil Return Pipe ASM
3	125-8752	1	Filter-Fuel/Oil	16	127-3172	1	Clamp-Hose
4	125-7216	2	Bolt	17	127-3078	1	Fuel Pipe ASM
5	125-7111	1	Lifter	20	125-7191	2	Clamp-Hose
6	127-3815	1	Filter Bracket ASM	21	127-3817	1	Fuel Pipe ASM
7	125-7215	2	Bolt	22	127-2950	2	Clip-Hose
8	125-7215	1	Bolt	25	127-3087	1	Band-Clip
9	127-3077	1	Fuel Pipe ASM	26	127-3079	1	Fuel Pipe ASM
12	125-7191	2	Clamp-Hose	27	127-2950	2	Clip-Hose

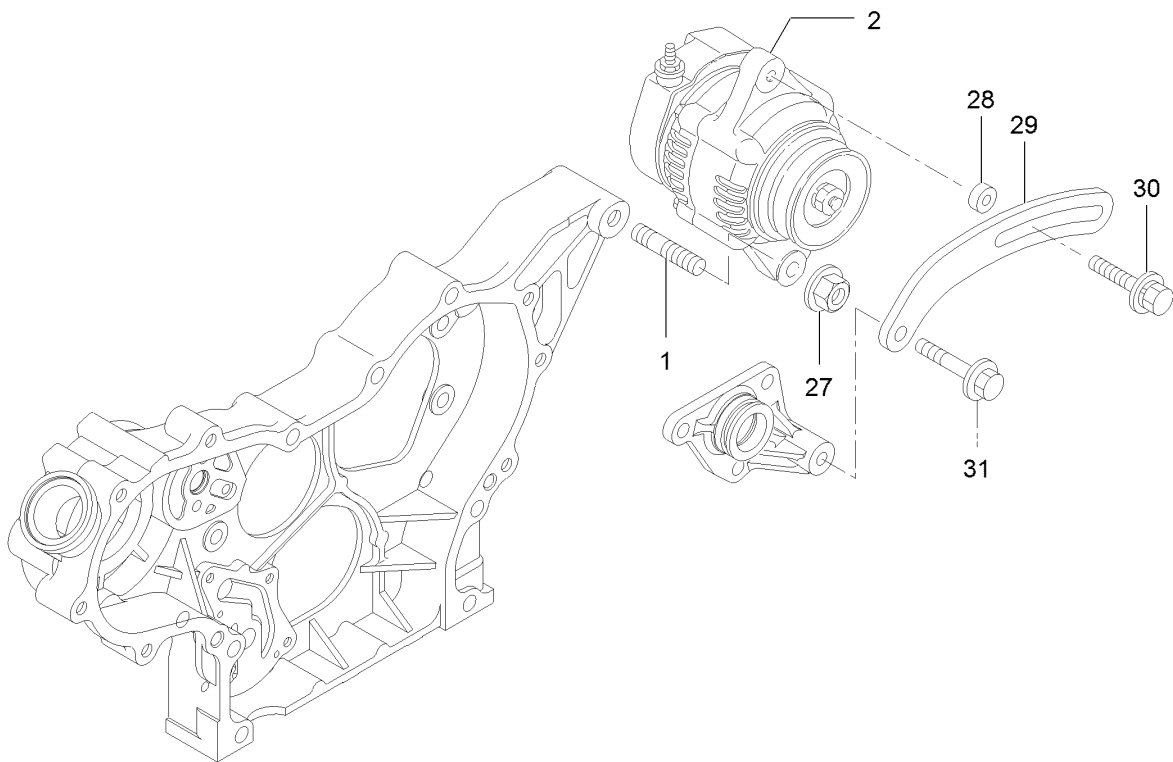
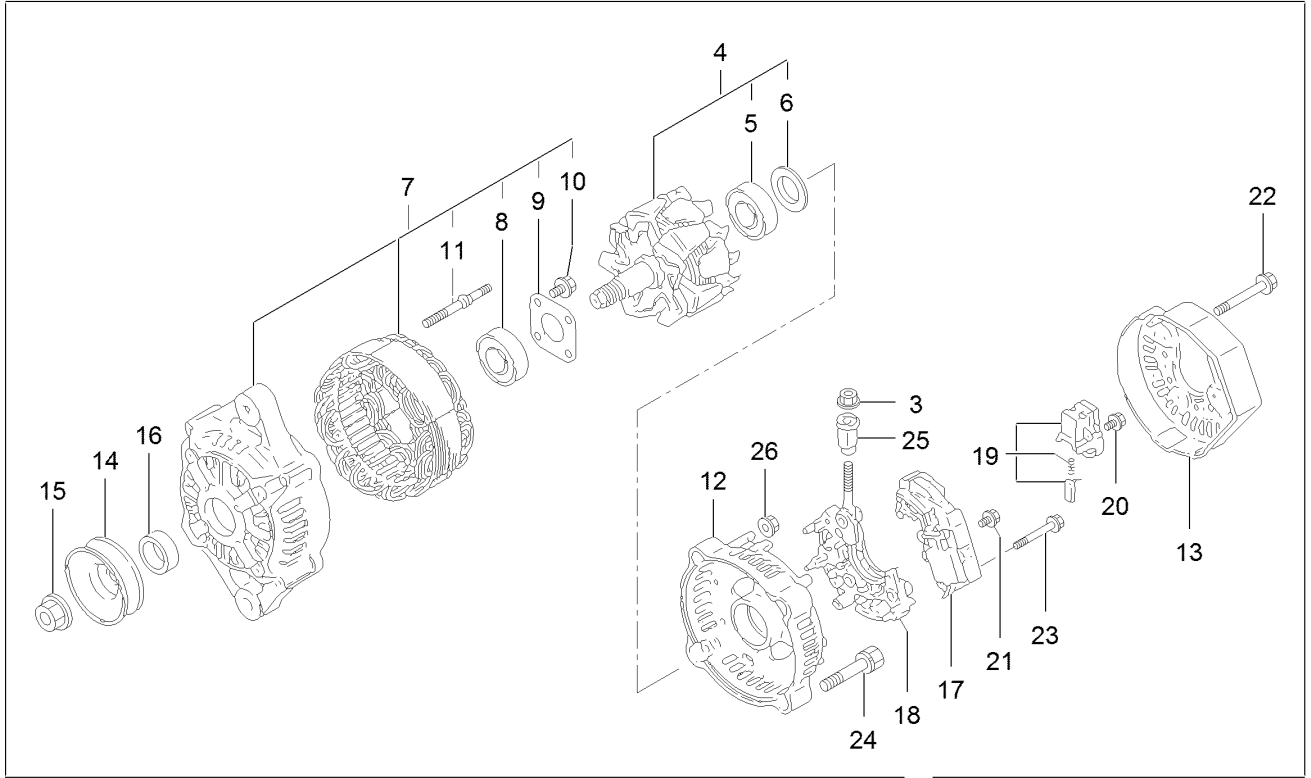
# Starting Motor Assembly



## Starting Motor Assembly (continued)

<i>Ref.</i>	<i>Part Number</i>	<i>Qty.</i>	<i>Description</i>	<i>Ref.</i>	<i>Part Number</i>	<i>Qty.</i>	<i>Description</i>
1	127-3818	1	Starter ASM	13	127-3830	1	Bracket
2	127-3819	1	Switch ASM	14	127-3831	1	Gear
3	127-3820	1	Armature ASM	15	127-3832	1	Bracket
4	127-3821	1	Yoke ASM	16	127-3833	1	Pinion ASM
5	127-3822	1	Brush Holder ASM	17	127-3834	1	Shaft
6	127-3823	2	Brush	18	127-3835	1	Washer Set
7	127-3824	1	Brush Set	19	127-3836	1	Case ASM
8	127-3825	4	Spring	20	127-3837	1	Metal-Starter
9	127-3826	1	Cover ASM	21	127-3838	1	Lever Set
10	127-3827	1	Metal	22	127-3839	1	Dust Cover ASM
11	127-3828	3	Gear	23	135-4024	2	Bolt-Through
12	127-3829	1	Bracket	24	125-7225	2	Bolt

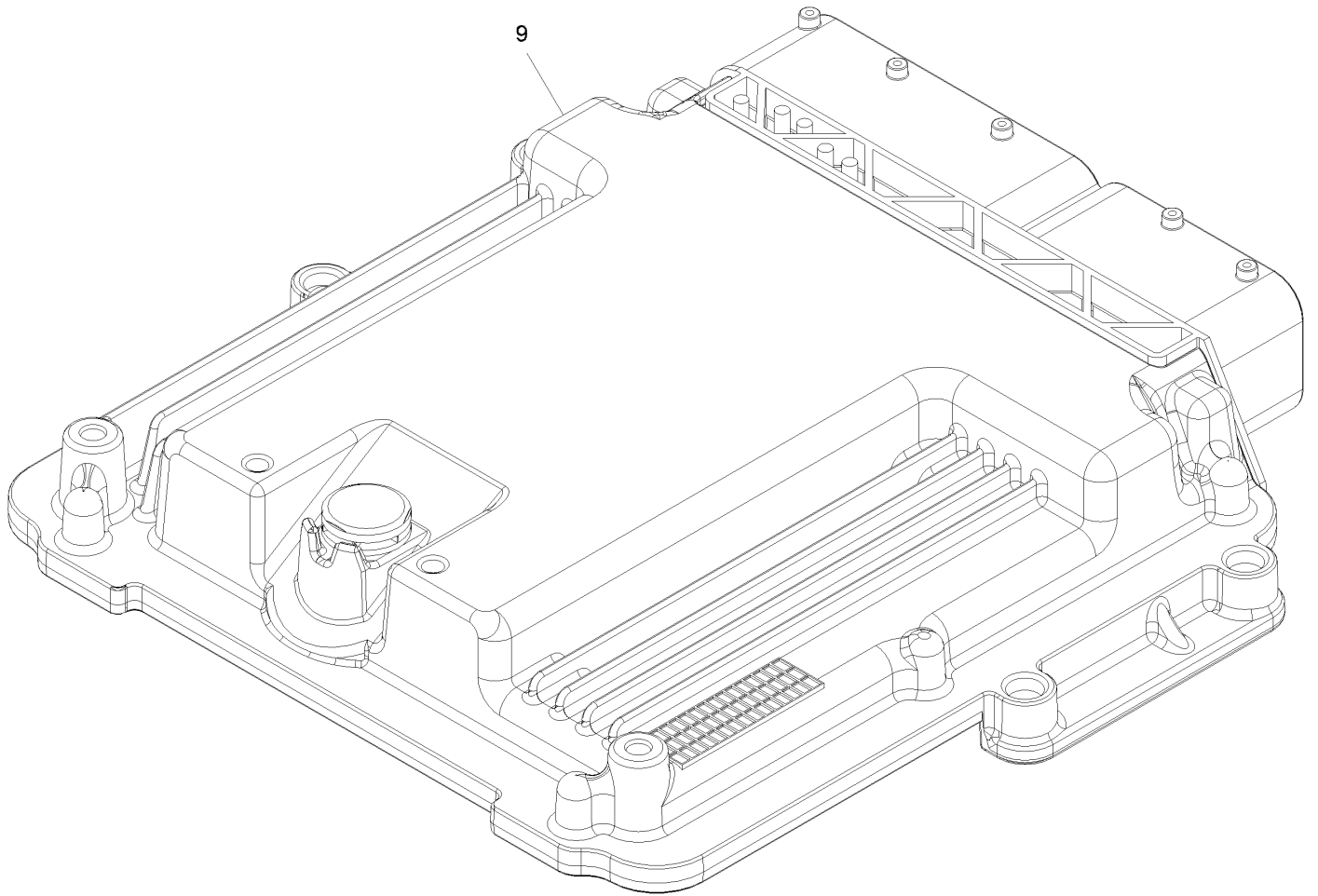
# Generator Assembly



## Generator Assembly (continued)

<i>Ref.</i>	<i>Part Number</i>	<i>Qty.</i>	<i>Description</i>	<i>Ref.</i>	<i>Part Number</i>	<i>Qty.</i>	<i>Description</i>
1	127-3011	1	Stud	17	135-4026	1	Regulator ASM
2	135-4278	1	Alternator	18	127-3848	1	Holder
3	127-3190	1	Nut	19	127-2993	1	Holder
4	127-3843	1	Rotor ASM	20	127-2965	6	Screw
5	127-2983	1	Bearing-Ball	21	127-2966	1	Screw
6	127-2962	1	Cover	22	127-2967	3	Bolt
7	135-4025	1	Frame ASM	23	127-2968	2	Screw
8	127-2958	1	Bearing-Ball	24	127-2969	2	Bolt
9	127-2959	1	Plate-Retainer	25	127-2970	1	Bushing-Insulation
10	127-2960	4	Screw	26	127-2971	2	Nut
11	127-2961	2	Stud	27	125-7230	1	Nut
12	127-3845	1	Frame	28	125-6947	1	Spacer
13	127-3846	1	Cover	29	127-2977	1	Adjuster
14	127-2954	1	Pulley	30	135-4027	1	Bolt-Adjust
15	127-2955	1	Nut	31	125-7219	1	Bolt
16	127-2957	1	Collar				

# Electronic Control Unit Assembly



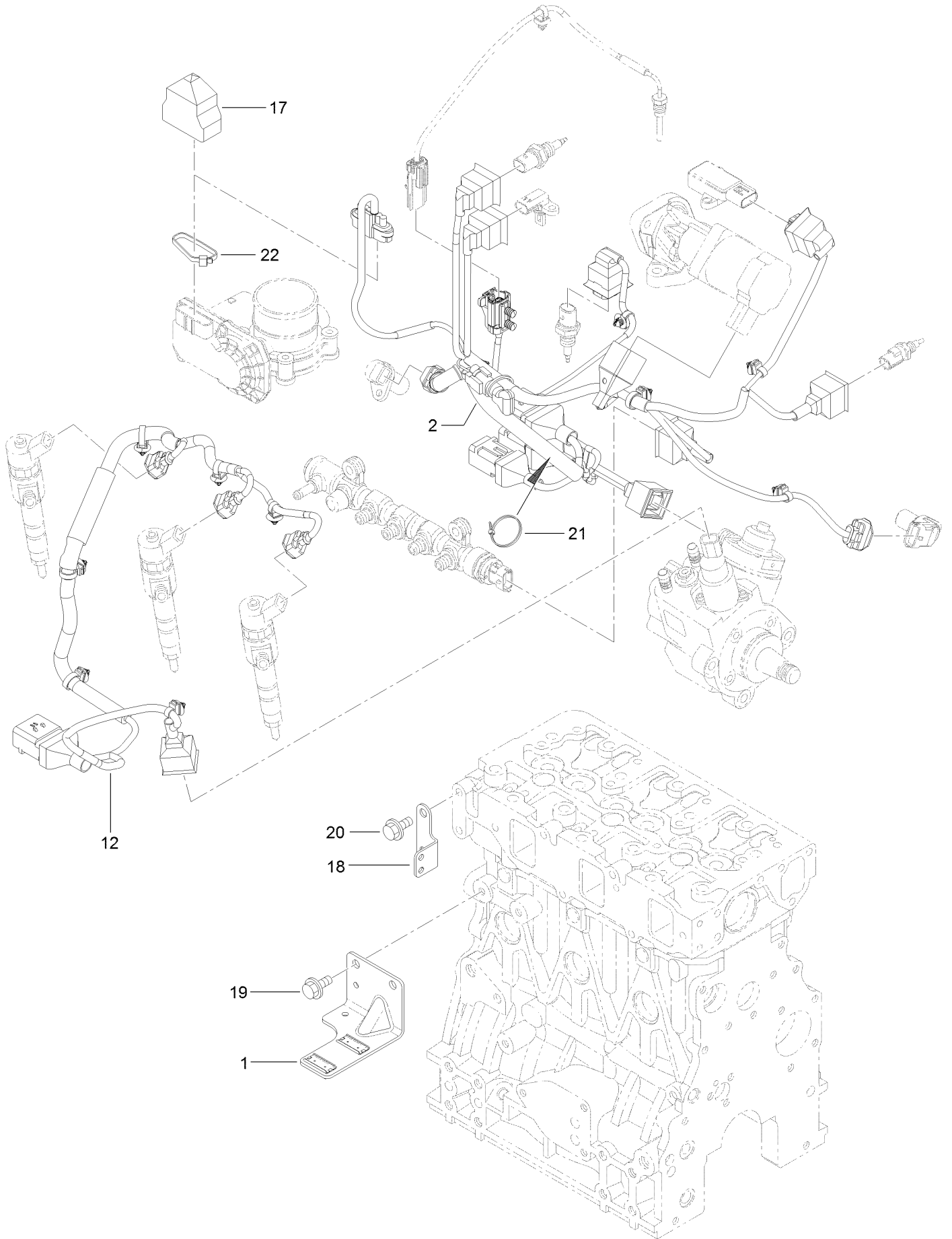


# Electronic Control Unit Assembly (continued)

<i>Ref.</i>	<i>Part Number</i>	<i>Qty.</i>	<i>Description</i>
9	121-5592	1	Electronic Control Unit ●

● Contact an Authorized Service Dealer

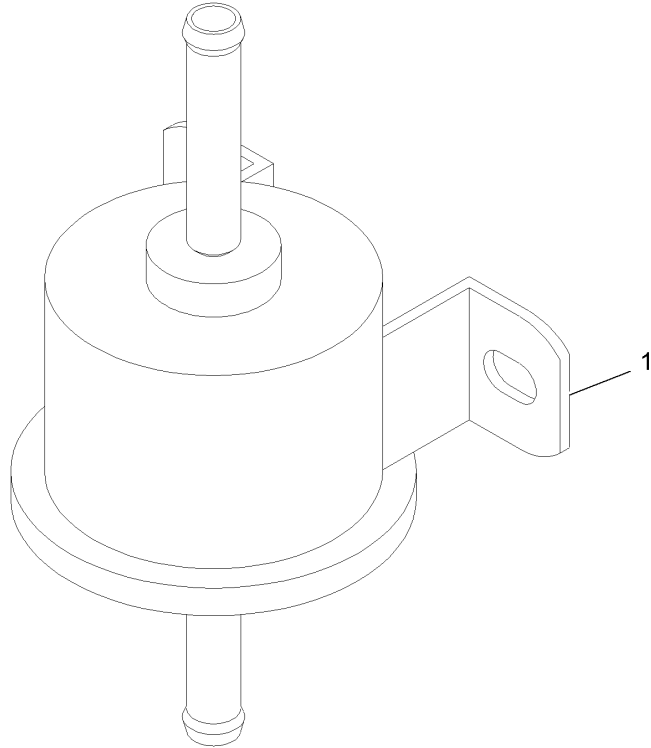
# Electric Parts Assembly



## Electric Parts Assembly (continued)

<i>Ref.</i>	<i>Part Number</i>	<i>Qty.</i>	<i>Description</i>	<i>Ref.</i>	<i>Part Number</i>	<i>Qty.</i>	<i>Description</i>
1	130-7436	1	Bracket-Connector	19	125-7213	2	Bolt
2	135-4029	1	Harness	20	125-7212	2	Bolt
12	130-7438	1	Harness	21	127-3187	1	Band
17	131-2713	1	Boot-Cap	22	127-3188	1	Band
18	127-3090	1	Bracket-Harness				

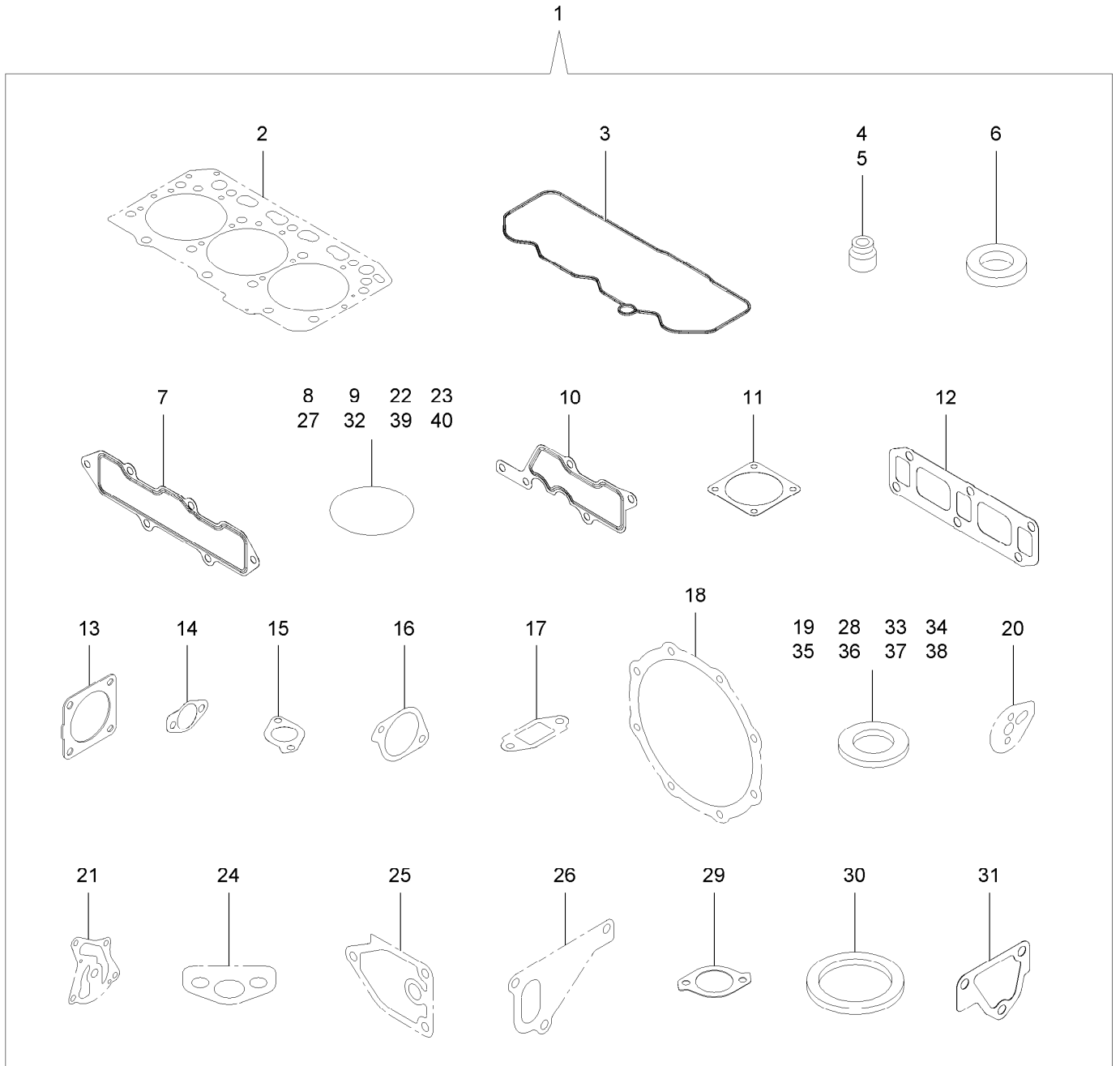
# Fuel Pump Assembly



## Fuel Pump Assembly (continued)

<i>Ref.</i>	<i>Part Number</i>	<i>Qty.</i>	<i>Description</i>
1	121-5613	1	Pump-Fuel, Electric

# Gasket Set



## Gasket Set (continued)

<i>Ref.</i>	<i>Part Number</i>	<i>Qty.</i>	<i>Description</i>	<i>Ref.</i>	<i>Part Number</i>	<i>Qty.</i>	<i>Description</i>
1	130-7440	1	Packing (Gasket Set)	21	127-3004	1	Gasket
2	127-4716	1	Head Gasket ASM	22	125-6909	2	O-Ring
3	127-3856	1	Gasket-Valve Cover	23	127-2973	1	O-Ring
4	127-2986	3	Seal-Stem, Valve	24	125-7022	1	Gasket
5	127-3027	3	Seal-Stem, Valve	25	125-7024	1	Gasket
6	127-3021	3	Gasket-Injector	26	125-7047	1	Gasket
7	127-3857	1	Gasket-Manifold, Intake	27	125-7048	1	O-Ring
8	127-3032	2	O Ring-Sensor, Pressure	28	125-6979	1	Gasket
9	127-3033	1	O-Ring	29	125-7110	1	Gasket
10	127-3034	1	Gasket-Collector	30	125-7026	1	Gasket
11	127-3037	2	Gasket-Throttle	31	125-6978	1	Gasket
12	127-3775	1	Gasket-Manifold, Exhaust	32	127-3074	1	O-Ring
13	127-2987	1	Gasket-Silencer	33	125-7174	1	Washer-Seal
14	127-3043	2	Gasket-Cooler, E G R	34	125-7176	1	Washer-Seal
15	127-3016	1	Gasket	35	127-3166	2	Washer-Seal
16	127-3050	1	Gasket-Intake Valve, E G R	36	125-7177	1	Washer-Seal
17	127-3051	1	Gasket-Out Valve, E G R	37	125-7192	1	Gasket
18	127-3859	2	Gasket-D P F	38	127-3174	2	Gasket
19	127-3056	4	Gasket-Sensor	39	93-0418	3	O-Ring
20	127-3069	1	Gasket-Idle, Shaft B	40	125-7197	2	O-Ring

# Attachments and Accessories

## For 72098 Z Master Professional 7500-D Series Riding Mower With 96in TURBO FORCE Rear Discharge Mower

<b>Product Name</b>	<b>Model/Part</b>
Premium Transmission/Hydraulic Tractor Fluid (55 Gallon Drum).....	108-1183
Premium Transmission/Hydraulic Tractor Fluid (5 Gallon Pail) .....	108-1184
Sunshade Kit .....	126-8077
Jack Kit.....	127-6666
Jack Mount Kit.....	135-1768
Mulch Kit-96inch .....	135-2449
Slow Moving Vehicle Kit.....	135-2891
Hitch Kit .....	135-3616
Worklight Kit .....	135-7076
Oil-30/10W-30 Synthetic (Quart).....	138-6053
Oil-30/10W-30 Synthetic (Gallon) .....	138-6054
Blade-24.50 High Flow .....	140-1238
Blade-24.50 Atomic .....	140-1239
Blade-24.50 Medium Flow .....	140-4850
Blade-24.50 Low Flow .....	140-4851
Blade-24.50 Recycler .....	140-4852
6 Pack-Blade, 24.5 High Flow.....	140-4872
6 Pack-Blade, 24.5 Med Flow .....	140-4873
6 Pack-Blade, 24.5 Low Flow .....	140-4874
6 Pack-Blade, 24.5 Atomic.....	140-4875
6 Pack-Blade, 24.5 Recycler.....	140-4876



**Notes:**

**Notes:**

**Notes:**



**Count on it.**