



# Long Life Rotor Blade Kit

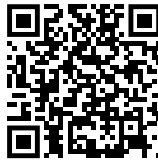
## 20in or 21in Single-Stage Snowthrower

Model No. 38205

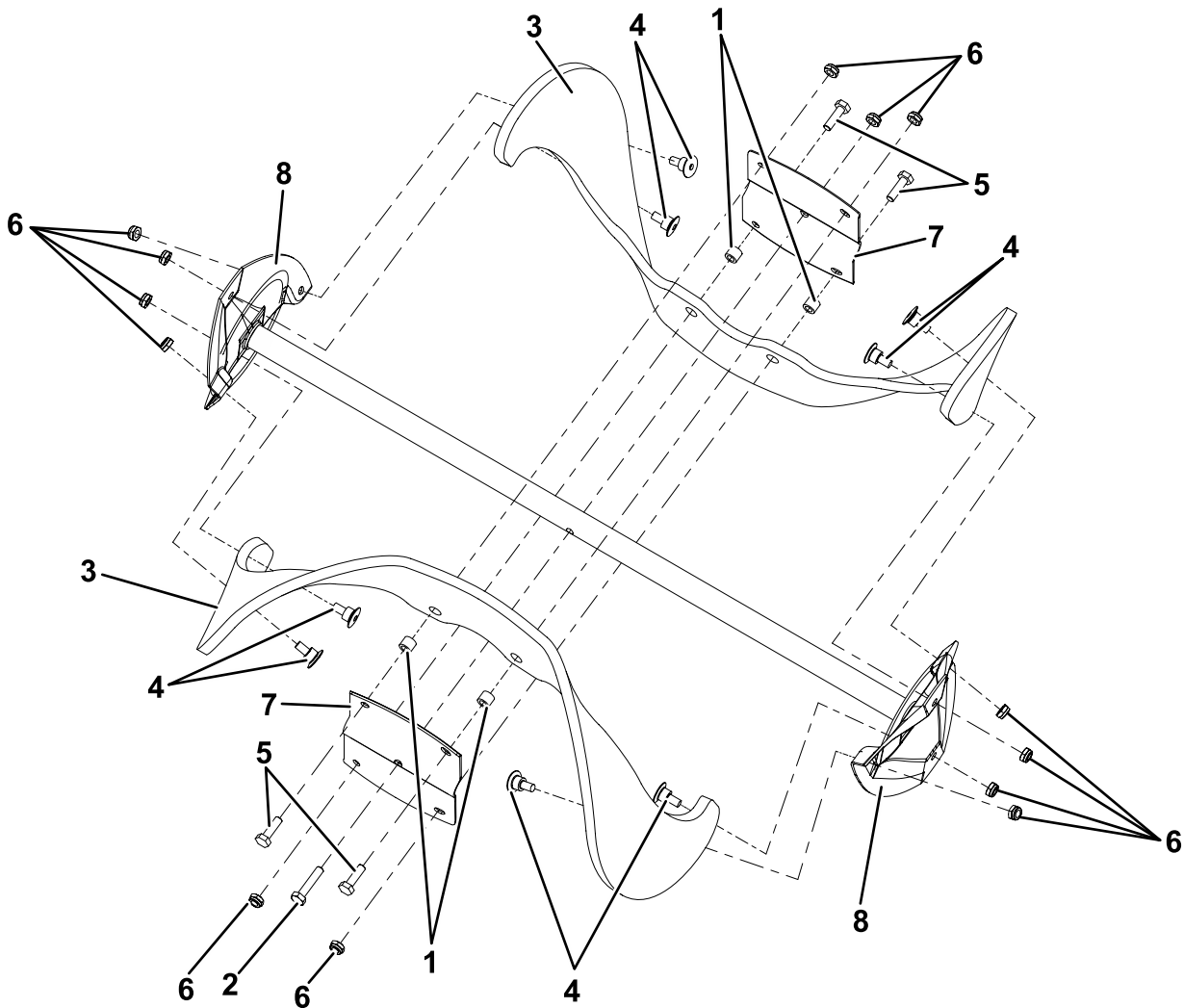
### Installation Instructions

Shut off the machine, remove the key, allow the machine to cool, and disconnect the wire from the spark plug before installing the kit. Wear eye protection.

Scan the QR code below to view a video overview of the kit installation.



g428964



g429254

- |                        |                     |                        |                   |
|------------------------|---------------------|------------------------|-------------------|
| 1. Spacer              | 3. Rotor blade      | 5. Bolt (1/4-20 x 7/8) | 7. Half rotors    |
| 2. Bolt (1/4-20 x 1/4) | 4. Countersunk bolt | 6. Locknut             | 8. Rotor assembly |

