



Paddle Replacement Kit

Power Clear® 180 Snowthrower

Model No. 38266

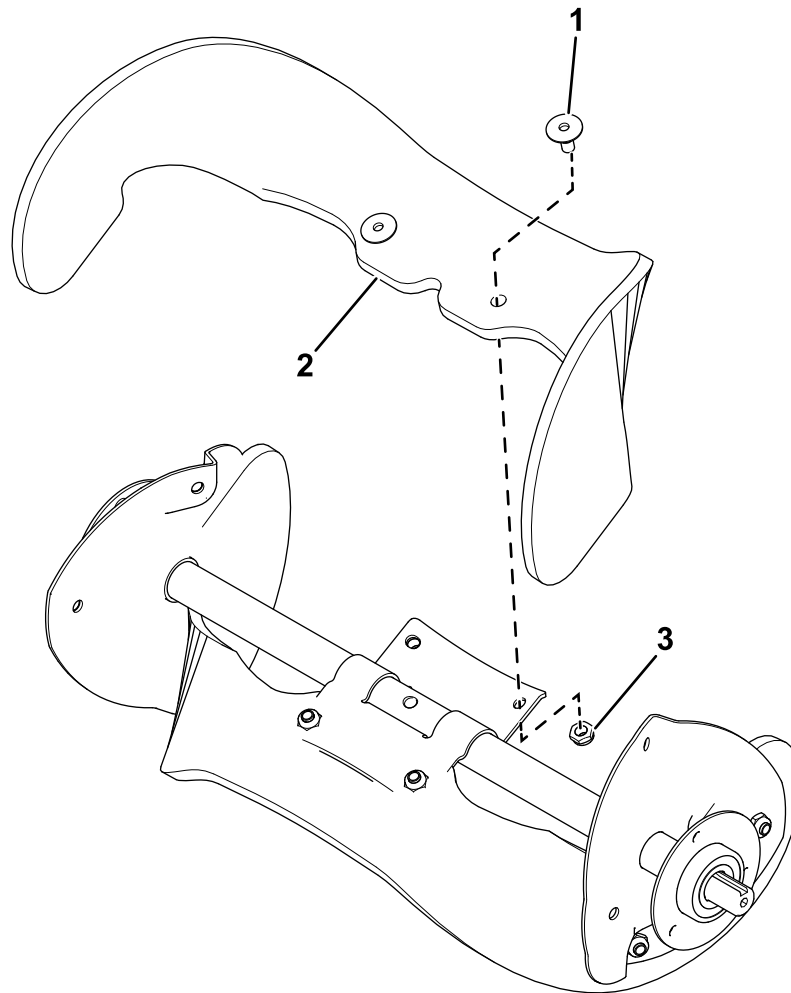
Installation Instructions

Shut off the machine, remove the key, allow the machine to cool, and disconnect the wire from the spark plug before installing the kit. Wear eye protection.

Scan the QR code below to view a video overview of the kit installation.



g429315



g431724

1. Countersunk bolt

2. Rotor blade

3. Locknut

