



Count on it.

Parts Catalog

**GrandStand® Multi Force® Mower
With 52in TURBO FORCE® Cutting Unit and
Low Flow Hydraulics**

Model No. 72530—Serial No. 414430000 and Up



Ordering Replacement Parts

To order replacement parts, please supply the part number, the quantity, and the description of each part desired.

Understanding Reference Numbers

Each identified part in an illustration has a reference number. The reference number for a part also appears in the parts list, along with other information about the part.

This catalog uses two special reference number formats, one to indicate parts in a service assembly and another to indicate the quantity of a given part in an illustration.

Service Assembly Reference Numbers

Parts in service assemblies have reference numbers in the form a:b. The a represents the reference number of the entire service assembly and the b represents a sequential number unique to each part within the service assembly.

For example, a wheel assembly might be identified by reference number 6, the tire by 6:1, the valve by 6:2, and the wheel by 6:3. When you order the assembly identified by reference number 6, you receive all parts identified by reference numbers 6:1, 6:2, and 6:3. However, you may also order any part individually. Reference numbers of this type appear in illustration and in parts lists.

Reference Numbers Indicating Quantity

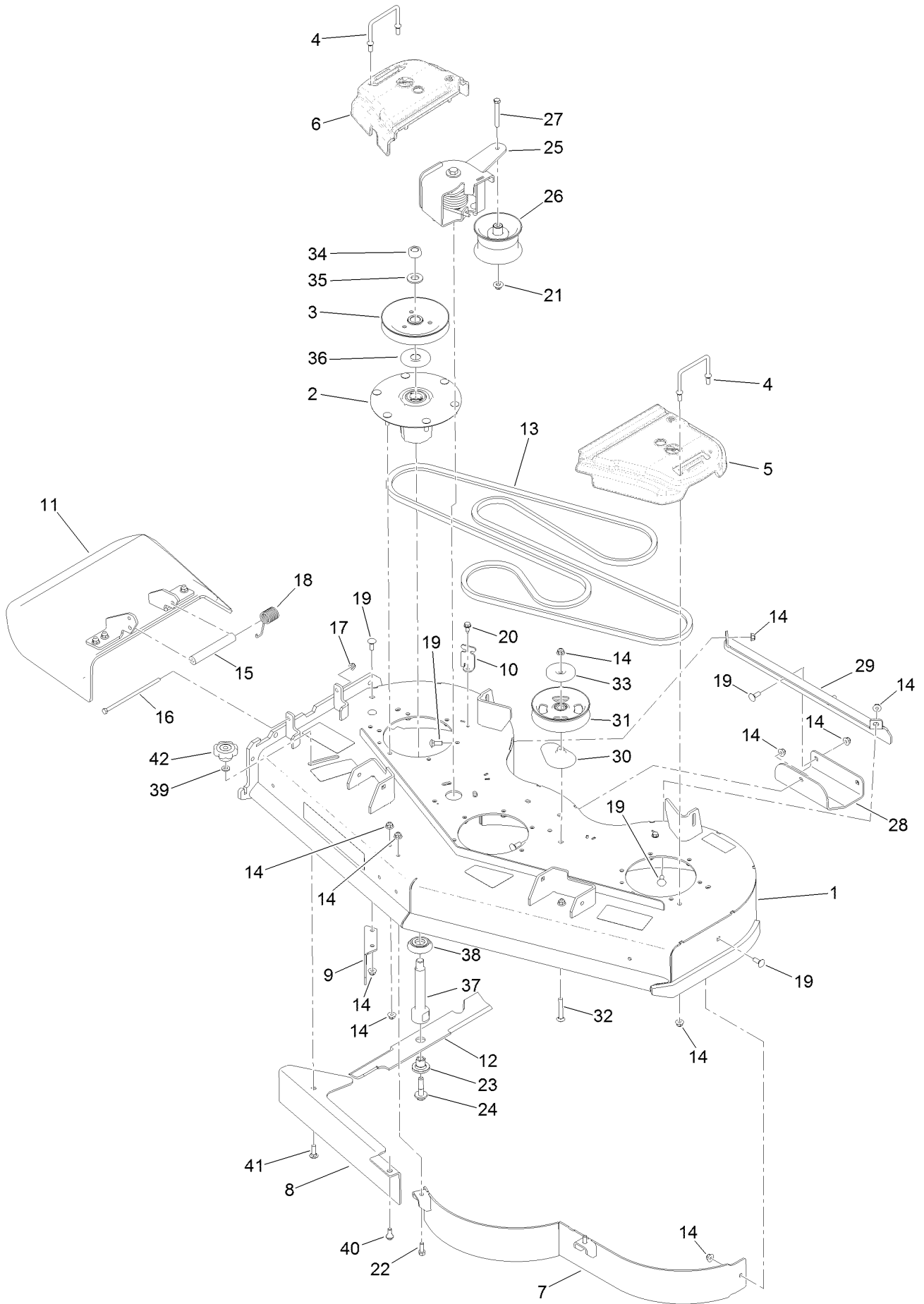
In an illustration, if a reference number indicates more than one part, the reference number has the form nX y. The n represents the quantity of the part, the X is the multiplication symbol, and the y represents the reference number.

For example, in an illustration, the reference number 2X 37 means that two of the parts identified by reference number 37 are indicated.

Contents

| | |
|---|----|
| 52 Inch Deck Assembly | 4 |
| Deck and Decal Assembly No. 139-8097 | 6 |
| Spindle Assembly No. 137-9780 | 8 |
| Deflector Assembly No. 120-2451 | 10 |
| Ground Drive Assembly | 12 |
| LH Transmission Assembly No. 138-5840 | 14 |
| RH Transmission Assembly No. 138-5839 | 16 |
| Overflow Hose Assembly | 18 |
| Motion Control Assembly | 20 |
| Control Handle Assembly No. 132-5157 | 22 |
| Control Handle Assembly No. 132-5158 | 24 |
| Parking Brake Assembly | 26 |
| Deck Lift Assembly | 28 |
| HOC Level Assembly No. 130-1755 | 30 |
| HOC Link Assembly No. 130-6615 | 32 |
| Frame Assembly | 34 |
| Wheel and Bearing Assembly | 36 |
| Platform Assembly | 38 |
| Engine Assembly | 40 |
| Fuel Tank Assembly | 42 |
| Electrical Assembly | 44 |
| Low Flow Hydraulics Assembly | 46 |
| Low Flow Manifold Assembly | 48 |
| Low Flow Controller Kit Assembly | 50 |
| Attachments and Accessories | 52 |

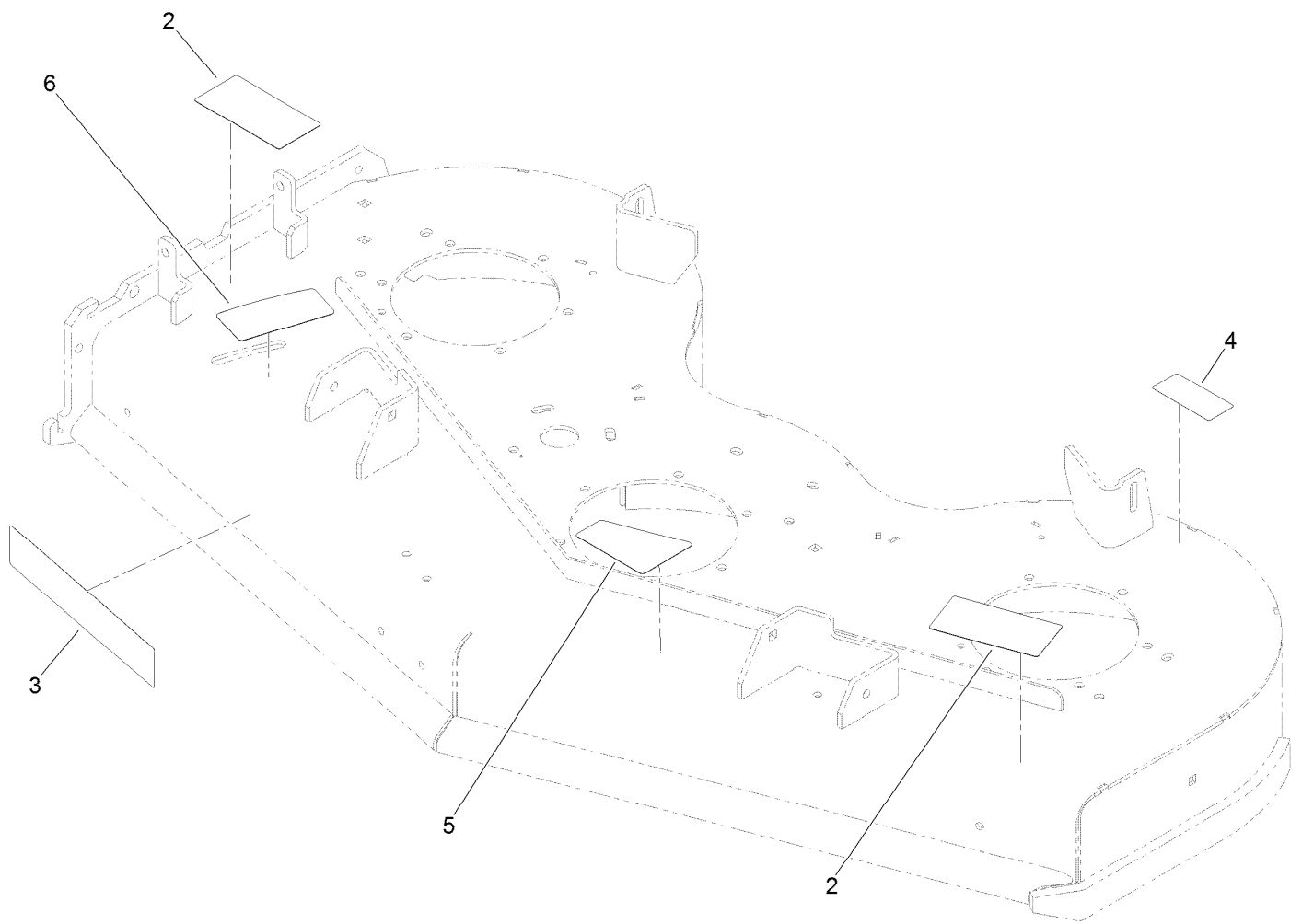
52 Inch Deck Assembly



52 Inch Deck Assembly (continued)

| <i>Ref.</i> | <i>Part Number</i> | <i>Qty.</i> | <i>Description</i> | <i>Ref.</i> | <i>Part Number</i> | <i>Qty.</i> | <i>Description</i> |
|-------------|--------------------|-------------|----------------------------|-------------|--------------------|-------------|-------------------------|
| 1 | 139-8097 | 1 | 52 Deck ASM | 22 | 92-1624 | 2 | Screw-HWH Thd Form |
| 2 | 137-9780 | 3 | Spindle ASM | 23 | 137-9787 | 3 | Bushing-Hex |
| 3 | 138-6061 | 3 | Sheave-Blade, Drive | 24 | 109-9220 | 3 | Screw-Sems |
| 4 | 109-6982 | 3 | Wireform-Cover | 25 | 145-3450 | 1 | Gs Torsion Idler ASM li |
| 5 | 109-6936 | 1 | Cover-Belt, LH | 26 | 127-1971 | 1 | Pulley-Idler |
| 6 | 109-6935 | 1 | Cover-Belt, RH | 27 | 323-20 | 1 | Screw-HH |
| 7 | 114-1979-01 | 1 | Baffle-52 Inch | 28 | 114-1908-01 | 1 | Skid |
| 8 | 139-8105-01 | 1 | Plate-Baffle, Formed [red] | 29 | 130-6648-01 | 1 | Bracket-Skid |
| 9 | 130-6594-01 | 1 | Baffle-Discharge | 30 | 109-2872 | 1 | Spacer-Pulley |
| 10 | 117-5758-03 | 4 | Bracket-Cover | 31 | 136-5405 | 1 | Pulley-Idler, Flat |
| 11 | 120-2451 | 1 | Deflector ASM | 32 | 3231-44 | 1 | Screw-CARR |
| 12 | 140-1242 | 3 | Blade-Flow, High | 33 | 132-5153 | 1 | Shield-Dust |
| 13 | 131-1122 | 1 | Belt-V | 34 | 116-7306 | 3 | Nut-Hex |
| 14 | 104-8301 | 39 | Nut-HF, NI | 35 | 103-2802 | 3 | Washer |
| 15 | 105-4622 | 1 | Spacer | 36 | 103-1330 | 3 | Guard-Bearing, Top |
| 16 | 322-50 | 1 | Screw-HH | 37 | 138-6045 | 3 | Shaft-Spindle |
| 17 | 104-8300 | 1 | Nut-HF, NI | 38 | 137-9784 | 3 | Guard-Bottom |
| 18 | 108-4052 | 1 | Spring-Torsion | 39 | 100-4852 | 1 | Washer-Hardened |
| 19 | 3231-2 | 8 | Bolt-CARR | 40 | 94-7582 | 1 | Bolt-Shoulder |
| 20 | 32144-70 | 4 | Screw-HWHTF | 41 | 3231-25 | 1 | Bolt-CARR |
| 21 | 109-6658 | 1 | Nut-Flange, NI | 42 | 109-1092 | 1 | Knob |

Deck and Decal Assembly No. 139-8097



Deck and Decal Assembly No. 139-8097 (continued)

| <i>Ref.</i> | <i>Part Number</i> | <i>Qty.</i> | <i>Description</i> | <i>Ref.</i> | <i>Part Number</i> | <i>Qty.</i> | <i>Description</i> |
|-------------|--------------------|-------------|--------------------|-------------|--------------------|-------------|--------------------------|
| 2 | 133-4604 | 2 | Decal-Danger | 5 | 131-3507 | 1 | Decal-Belt, Tension (CE) |
| 3 | 107-1618 | 1 | Decal | 6 | 131-1180 | 1 | Decal-Adjustment, Baffle |
| 4 | 116-8283 | 1 | Decal-Torque, Bolt | | | | |

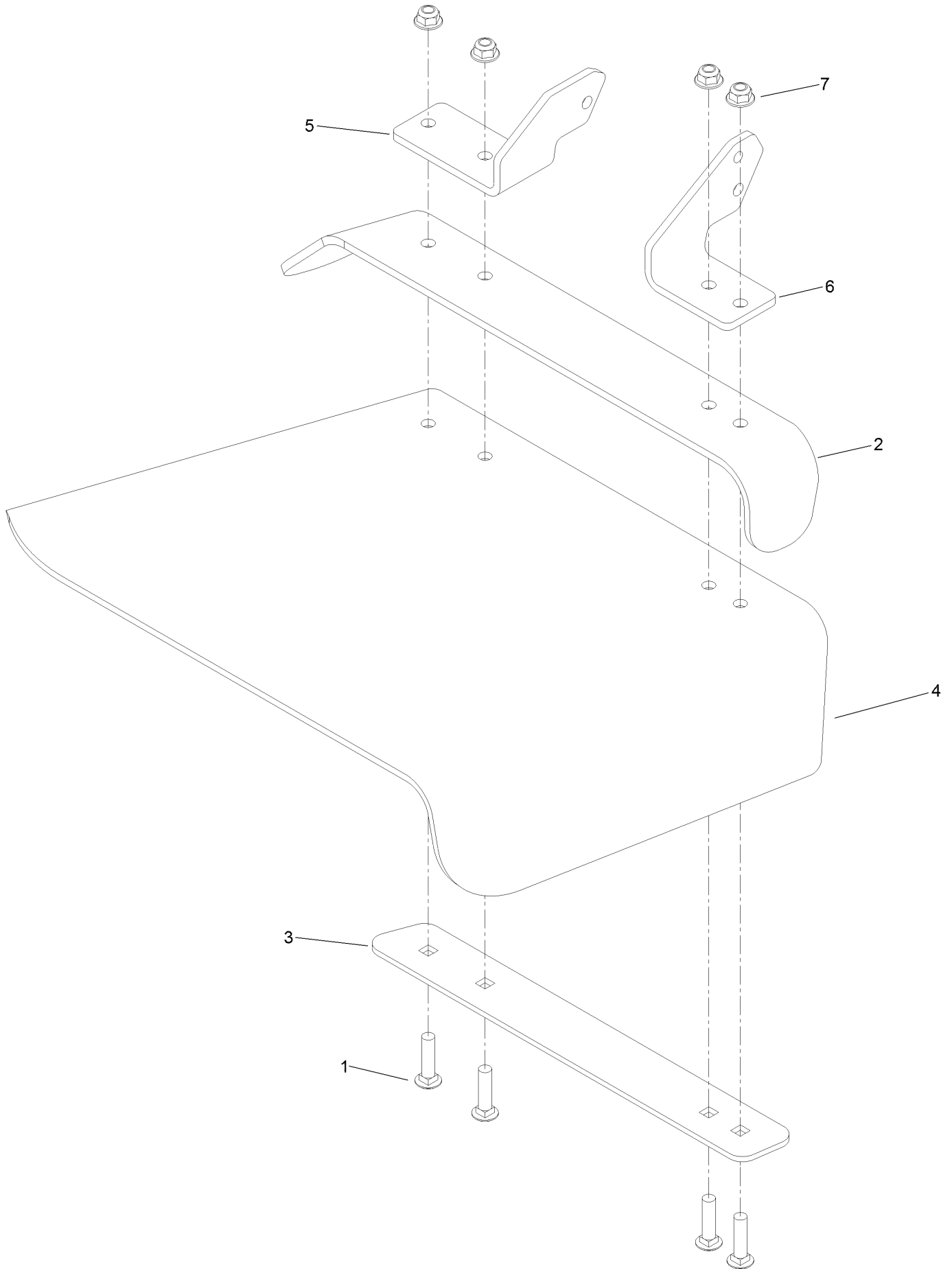
Spindle Assembly No. 137-9780



Spindle Assembly No. 137-9780 (continued)

| <i>Ref.</i> | <i>Part Number</i> | <i>Qty.</i> | <i>Description</i> |
|-------------|--------------------|-------------|--------------------|
| 2 | 116-0720 | 2 | Bearing-Ball |
| 3 | 138-6042 | 1 | Spacer-Bearing |

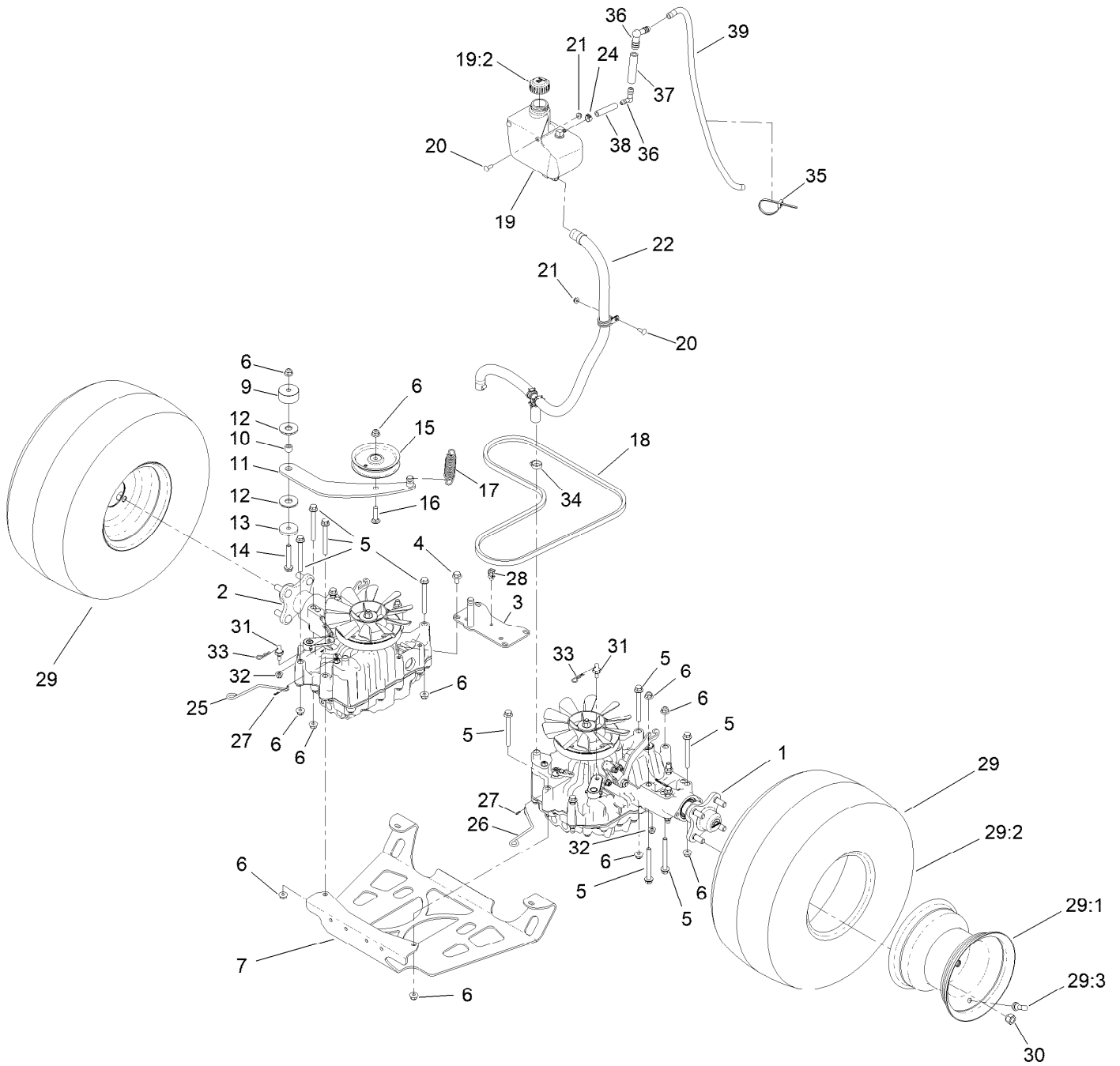
Deflector Assembly No. 120-2451



Deflector Assembly No. 120-2451 (continued)

| <i>Ref.</i> | <i>Part Number</i> | <i>Qty.</i> | <i>Description</i> | <i>Ref.</i> | <i>Part Number</i> | <i>Qty.</i> | <i>Description</i> |
|-------------|--------------------|-------------|--------------------|-------------|--------------------|-------------|--------------------|
| 1 | 3231-4 | 4 | Screw-CARR | 5 | 108-4059-01 | 1 | Plate-Hinge, Rear |
| 2 | 106-3246-01 | 1 | Deflector | 6 | 106-3253-01 | 1 | Plate-Hinge, Front |
| 3 | 106-3248-03 | 1 | Strap-Discharge | 7 | 104-8301 | 4 | Nut-HF, NI |
| 4 | 110-0759 | 1 | Deflector-Rubber | | | | |

Ground Drive Assembly



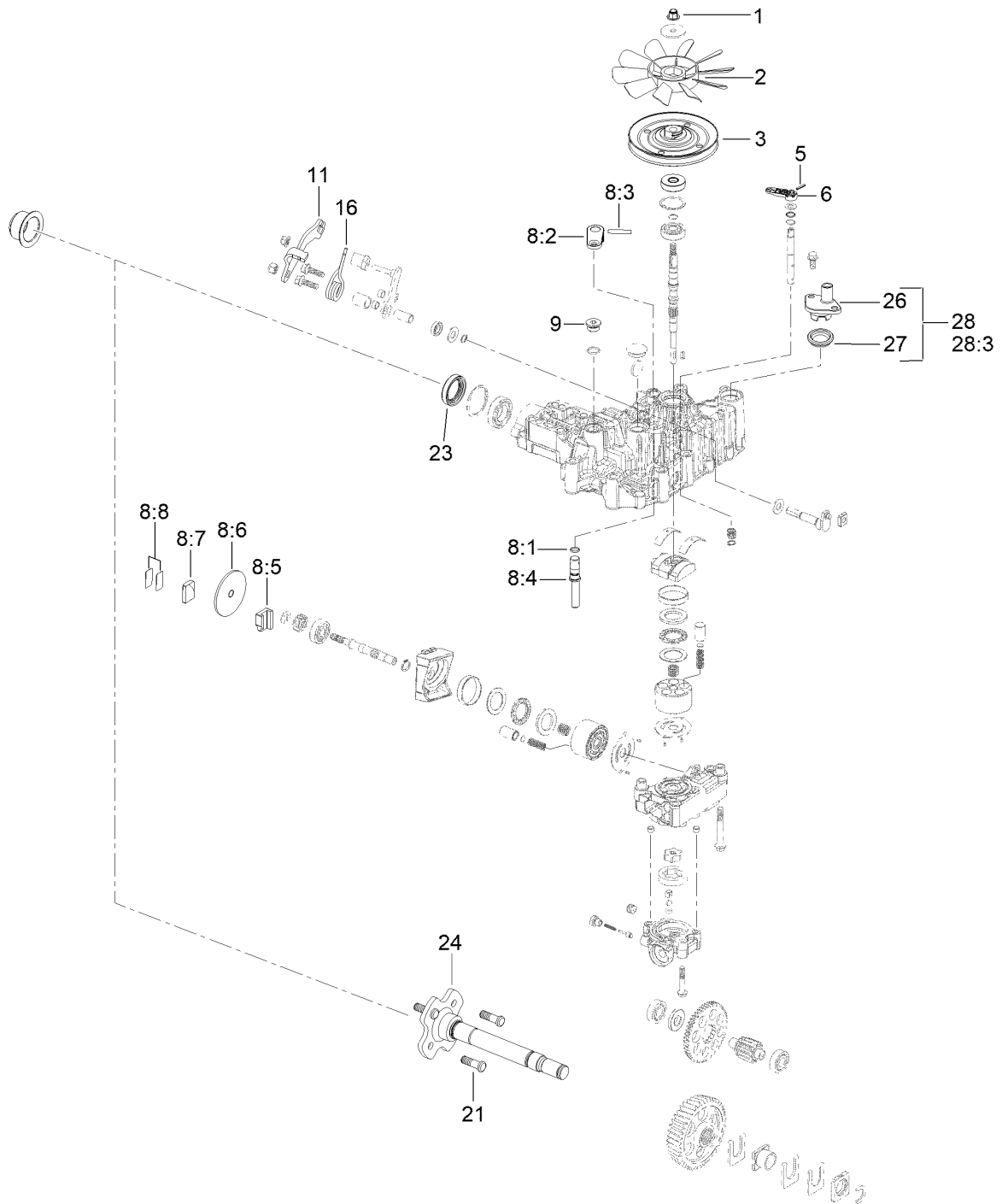
Ground Drive Assembly (continued)

| <i>Ref.</i> | <i>Part Number</i> | <i>Qty.</i> | <i>Description</i> | <i>Ref.</i> | <i>Part Number</i> | <i>Qty.</i> | <i>Description</i> |
|-------------|--------------------|-------------|----------------------------|-------------|--------------------|-------------|------------------------|
| 1 | 138-5840 | 1 | LH Accy Transmission | 21 | 104-7201 | 3 | Nut-HF, NI |
| 2 | 138-5839 | 1 | RH Transmission ASM | 22 | | 1 | Gs Overflow Hose ASM ■ |
| 3 | 131-1131-03 | 1 | Support-Transaxle | 24 | 92-2379 | 1 | Clamp-Hose |
| 4 | 93-2569 | 4 | Screw-HHF | 25 | 131-7469 | 1 | Rod-Bypass, RH |
| 5 | 116-4701 | 16 | Screw-HHF | 26 | 131-7470 | 1 | Rod-Bypass, LH |
| 6 | 104-8301 | 18 | Nut-HF, NI | 27 | 108-2992 | 2 | Pin-Hair |
| 7 | 138-1108-03 | 1 | Plate-Skid | 28 | 32180-030 | 1 | Clip-Tie |
| 9 | 117-5351 | 1 | Spacer | 29 | 140-1888 | 2 | Wheel And Tire ASM |
| 10 | 1-413088 | 1 | Bushing-Lever, Lift | 29:1 | 140-1889 | 1 | Rim-8 Inch Black |
| 11 | 131-1175 | 1 | Arm-Idler | 29:2 | 120-6466 | 1 | Tire |
| 12 | 114-0463 | 2 | Washer-Friction, Composite | 29:3 | 232-27 | 1 | Stem-Valve |
| 13 | 110-9981 | 1 | Washer-Plain | 30 | 242-50 | 8 | Nut-Lug |
| 14 | 3234-39 | 1 | Screw-HHF | 31 | 132-7584 | 2 | Spacer-Hex |
| 15 | 93-1622 | 1 | Pulley-Idler | 32 | 104-8300 | 2 | Nut-HF, NI |
| 16 | 3231-4 | 1 | Screw-CARR | 33 | 3290-250 | 2 | Pin-Cotter |
| 17 | 138-1104 | 1 | Spring-Extension | 34 | 2412-129 | 2 | Clamp-Hose |
| 18 | 131-1124 | 1 | Belt-V | 35 | 3290-378 | 1 | Tie-Cable |
| 19 | 132-1135 | 1 | Tank-HYD | 36 | 136-1290 | 2 | Fitting-Elbow 90 |
| 19:2 | 133-8677 | 1 | Cap-Vented | 37 | 83-2080 | 1 | Hose-Valve, Tank |
| 19:5 | 140-9463 | 1 | Strainer-Neck, Removable ● | 38 | 133-0223 | 1 | Hose-Fuel |
| 20 | 3229-25 | 3 | Screw-CARR | 39 | 110-3257 | 1 | Hose-Fuel |

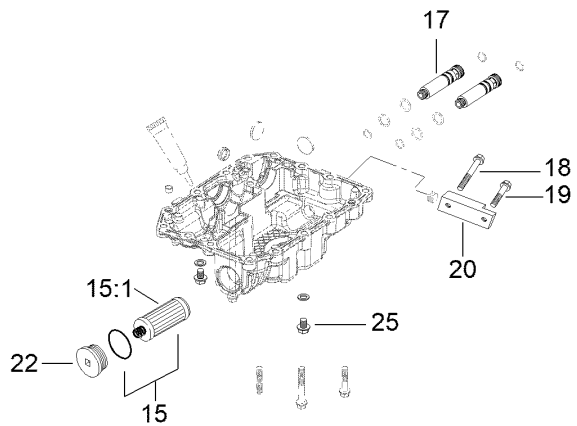
● Not illustrated

■ Not serviced separately

LH Transmission Assembly No. 138-5840



8 = Items Included in RH Brake Kit



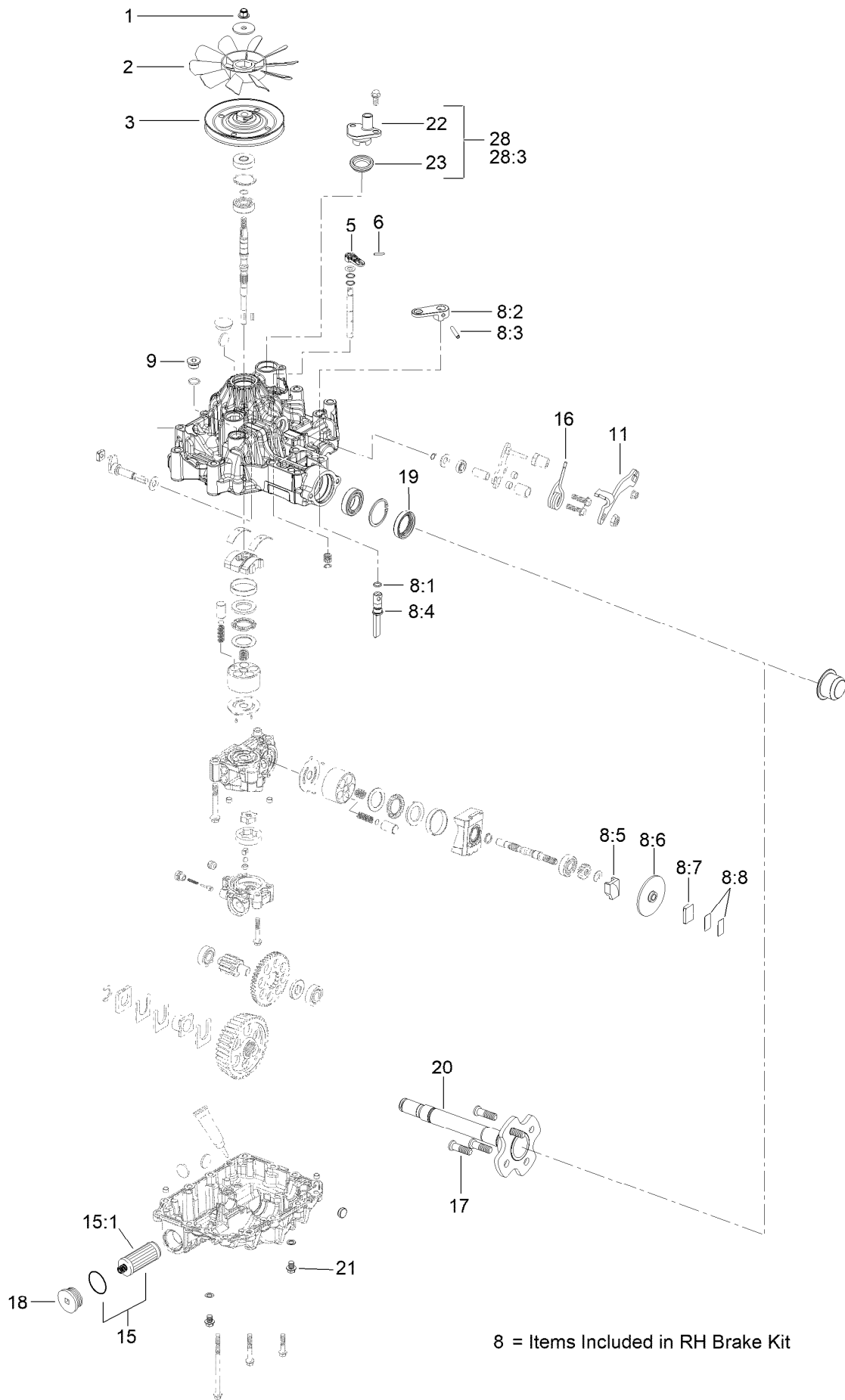
LH Transmission Assembly No. 138-5840 (continued)

| <i>Ref.</i> | <i>Part Number</i> | <i>Qty.</i> | <i>Description</i> | <i>Ref.</i> | <i>Part Number</i> | <i>Qty.</i> | <i>Description</i> |
|-------------|--------------------|-------------|---------------------------|-------------|--------------------|-------------|---------------------------------|
| 1 | 132-4737 | 1 | Nut-Lock | 15:3 | | 4 | Sealing Washer ■● |
| 2 | 132-4738 | 1 | Fan | 16 | 137-4109 | 1 | Spring-Torsion |
| 3 | 132-4739 | 1 | Pulley | 17 | 137-4107 | 2 | Connector |
| 5 | 104-3265 | 1 | Pin | 18 | 125-7222 | 1 | Bolt |
| 6 | 132-4700 | 1 | Lever-Bypass | 19 | 33104-045 | 1 | Screw-HHF |
| 8 | 133-1468 | 1 | Brake Kit,Left | 20 | 136-5408 | 1 | Manifold |
| 8:1 | | 1 | O-Ring ■ | 20 | 93-0474 | 1 | Plug |
| 8:2 | | 1 | Brake Arm ■ | 21 | 137-9509 | 4 | Stud-Wheel |
| 8:3 | | 1 | Roll Pin ■ | 22 | 138-4613 | 1 | Cap-Oil Filter |
| 8:4 | | 1 | Brake Shaft ■ | 23 | 139-5587 | 1 | Seal-Axle, Ua |
| 8:5 | | 1 | Brake Actuator ■ | 24 | 139-5588 | 1 | Axle |
| 8:6 | | 1 | Brake Disc ■ | 25 | 139-5589 | 2 | Drain Bolt |
| 8:7 | | 1 | Brake Shoe ■ | 26 | 139-5590 | 1 | Expansion Fitting |
| 8:8 | | 1 | Shim Kit ■ | 27 | 139-5591 | 1 | Grommet Seal, Expansion Fitting |
| 9 | 132-4735 | 1 | Cap-Oil | 28 | 139-7871 | 1 | Expansion Fitting - W/ Seal |
| 11 | 136-5401 | 1 | Lever-Control, RH | 28:3 | | 1 | M8*20 Flange Bolt ■ |
| 15 | 144-3842 | 1 | 2 Transmission Filter Kit | | | | |
| 15:1 | | 2 | Filter (1A6370-26450) ■ | | | | |

● Not illustrated

■ Not serviced separately

RH Transmission Assembly No. 138-5839



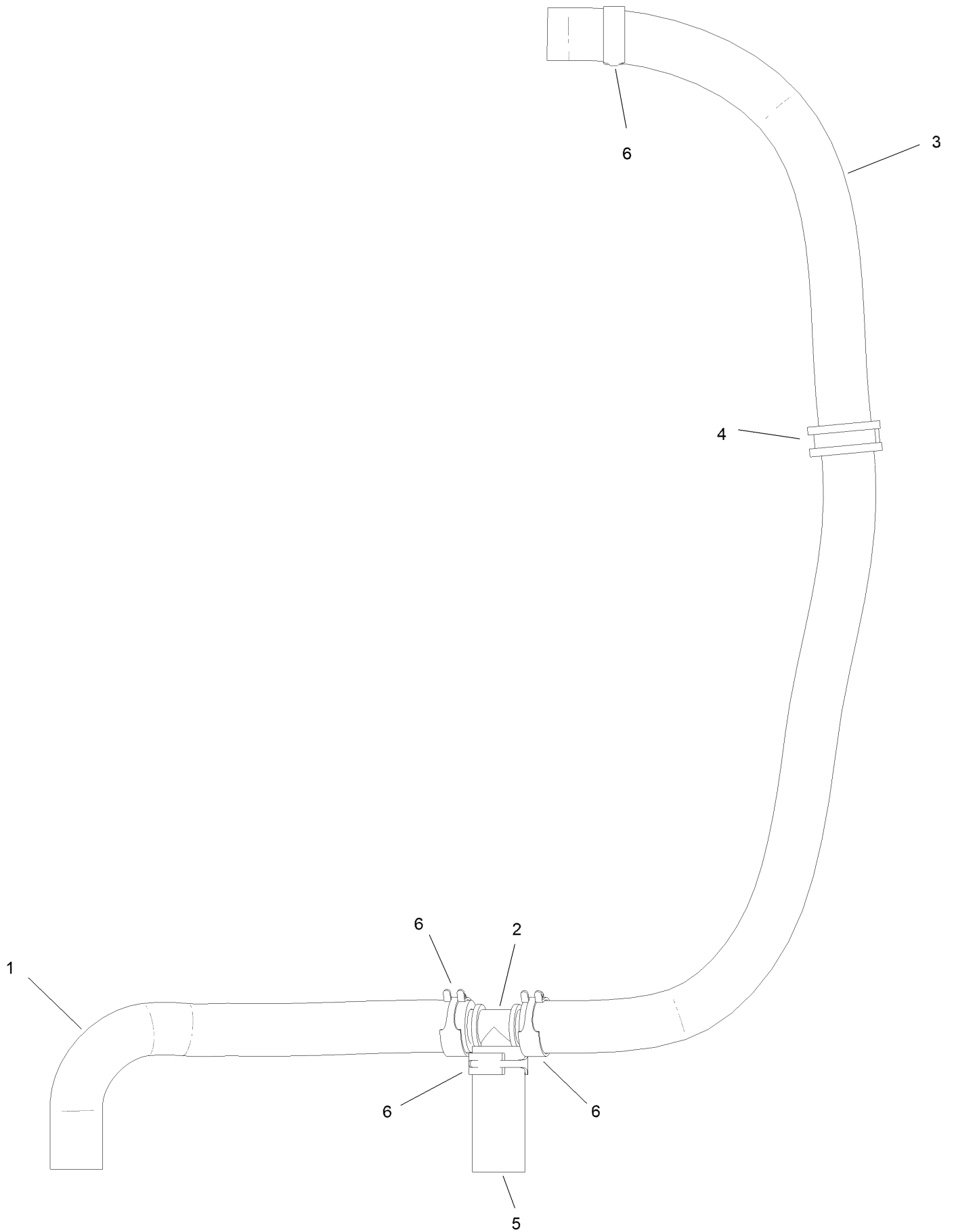
RH Transmission Assembly No. 138-5839 (continued)

| <i>Ref.</i> | <i>Part Number</i> | <i>Qty.</i> | <i>Description</i> | <i>Ref.</i> | <i>Part Number</i> | <i>Qty.</i> | <i>Description</i> |
|-------------|--------------------|-------------|--------------------|-------------|--------------------|-------------|---------------------------------|
| 1 | 132-4737 | 1 | Nut-Lock | 11 | 136-5401 | 1 | Lever-Control, RH |
| 2 | 132-4738 | 1 | Fan | 15 | 144-3842 | 1 | 2 Transmission Filter Kit |
| 3 | 132-4739 | 1 | Pulley | 15:1 | | 2 | Filter (1A6370-26450) ■ |
| 5 | 104-3265 | 1 | Pin | 15:3 | | 4 | Sealing Washer ■● |
| 6 | 132-4700 | 1 | Lever-Bypass | 16 | 137-4109 | 1 | Spring-Torsion |
| 8 | 133-1462 | 1 | RH Brake Kit | 17 | 137-9509 | 4 | Stud-Wheel |
| 8:1 | | 1 | O-Ring ■ | 18 | 138-4613 | 1 | Cap-Oil Filter |
| 8:2 | | 1 | Arm-Brake ■ | 19 | 139-5587 | 1 | Seal-Axle, Ua |
| 8:3 | | 1 | Pin-Roll ■ | 20 | 139-5588 | 1 | Axle |
| 8:4 | | 1 | Shaft-Brake ■ | 21 | 139-5589 | 2 | Drain Bolt |
| 8:5 | | 1 | Actuator-Brake ■ | 22 | 139-5590 | 1 | Expansion Fitting |
| 8:6 | | 1 | Disc-Brake ■ | 23 | 139-5591 | 1 | Grommet Seal, Expansion Fitting |
| 8:7 | | 1 | Shoe-Brake ■ | 28 | 139-7871 | 1 | Expansion Fitting - W/ Seal |
| 8:8 | | 1 | Shim Kit ■ | 28:3 | | 1 | M8*20 Flange Bolt ■ |
| 9 | 132-4735 | 1 | Cap-Oil | | | | |

● Not illustrated

■ Not serviced separately

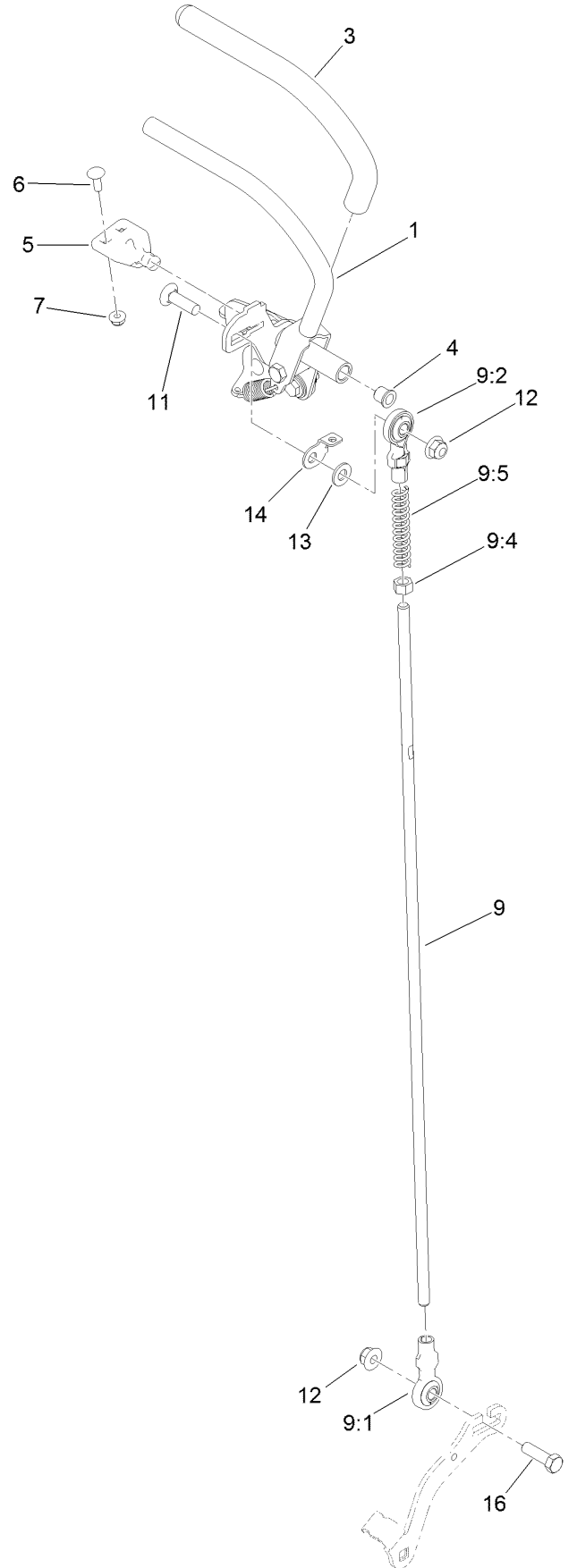
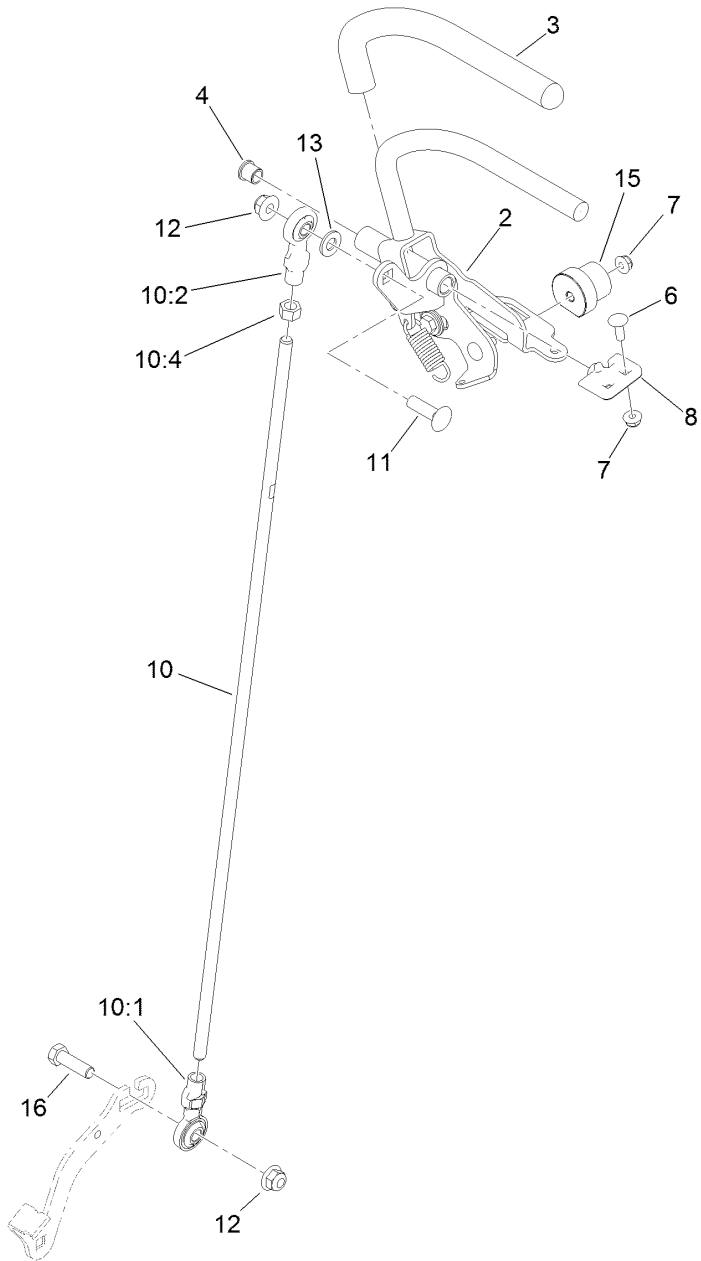
Overflow Hose Assembly



Overflow Hose Assembly (continued)

| <i>Ref.</i> | <i>Part Number</i> | <i>Qty.</i> | <i>Description</i> | <i>Ref.</i> | <i>Part Number</i> | <i>Qty.</i> | <i>Description</i> |
|-------------|--------------------|-------------|--------------------|-------------|--------------------|-------------|--------------------|
| 1 | 145-3444 | 1 | Hose-Hydraulic | 4 | 147-0201 | 1 | R-Clamp |
| 2 | 139-4055 | 1 | Fitting Tee | 5 | 147-0204 | 1 | Hydraulic Hose |
| 3 | 147-0202 | 1 | Hydraulic Hose | 6 | 145-3599 | 4 | Hose Clamp |

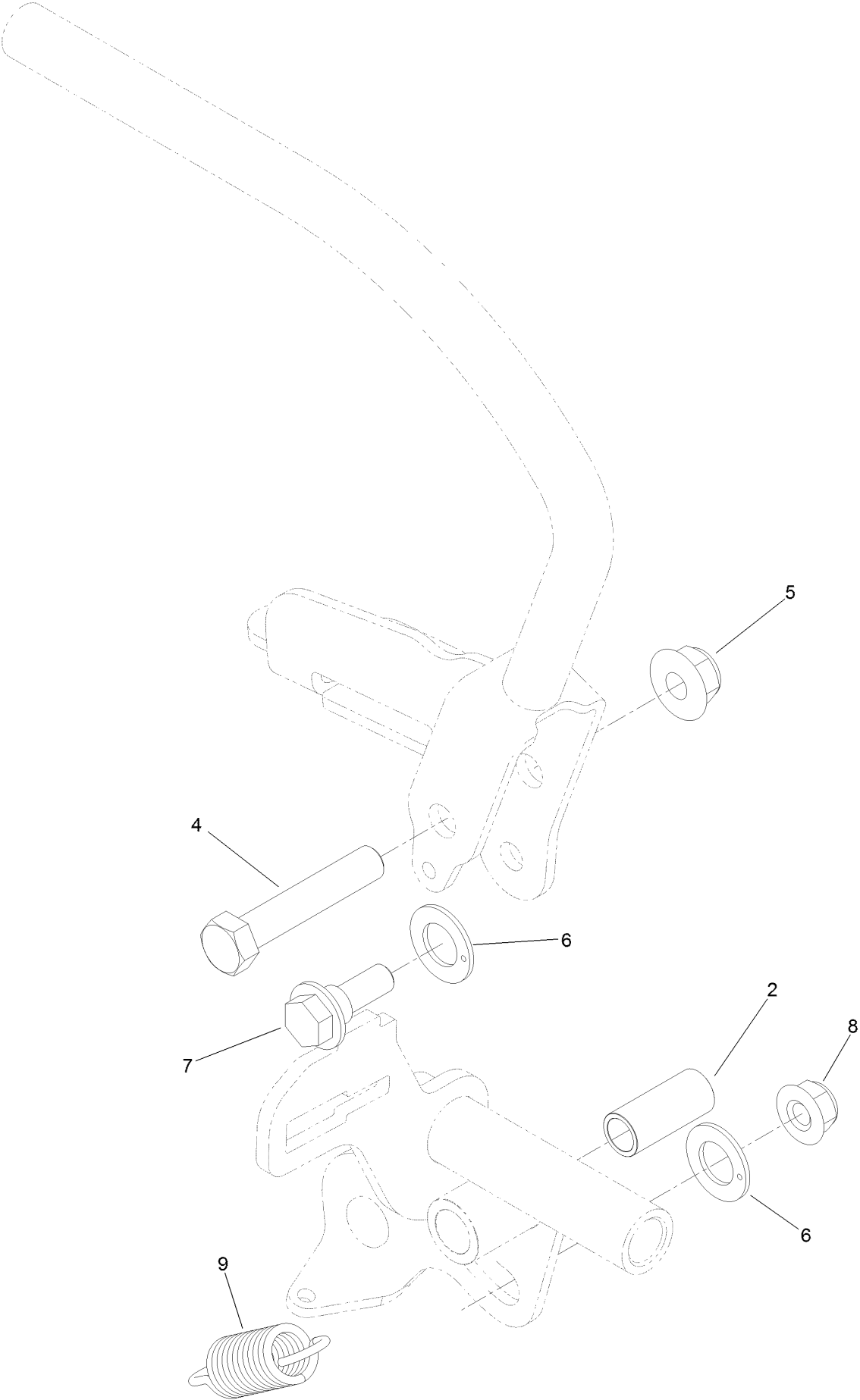
Motion Control Assembly



Motion Control Assembly (continued)

| <i>Ref.</i> | <i>Part Number</i> | <i>Qty.</i> | <i>Description</i> | <i>Ref.</i> | <i>Part Number</i> | <i>Qty.</i> | <i>Description</i> |
|-------------|--------------------|-------------|-----------------------|-------------|--------------------|-------------|---------------------------|
| 1 | 132-5157 | 1 | LH Control Handle ASM | 9:5 | 1-603807 | 1 | Spring-Return, Neutral |
| 2 | 132-5158 | 1 | RH Control Handle ASM | 10 | 138-4620 | 1 | RH Control Rod ASM |
| 3 | 119-0222 | 2 | Grip | 10:1 | 138-4647 | 1 | Ball Joint-LH |
| 4 | 103-9928 | 2 | Bearing | 10:2 | 138-4648 | 1 | Ball Joint-RH |
| 5 | 120-3288 | 1 | Tab-Pivot, LH | 10:4 | 3219-3 | 1 | Nut-Hex |
| 6 | 3229-1 | 4 | Screw-CARR | 11 | 3231-28 | 2 | Screw-CARR |
| 7 | 104-7201 | 6 | Nut-HF, NI | 12 | 104-8301 | 4 | Nut-HF, NI |
| 8 | 120-3287 | 1 | Tab-Pivot, RH | 13 | 3256-24 | 2 | Washer-Flat |
| 9 | 138-4619 | 1 | LH Control Rod ASM | 14 | 132-7538 | 1 | Bracket-Adjustment, Speed |
| 9:1 | 138-4647 | 1 | Ball Joint-LH | 15 | 126-1499 | 2 | Cam |
| 9:2 | 138-4648 | 1 | Ball Joint-RH | 16 | 323-7 | 2 | Screw-HH |
| 9:4 | 3219-3 | 1 | Nut-Hex | | | | |

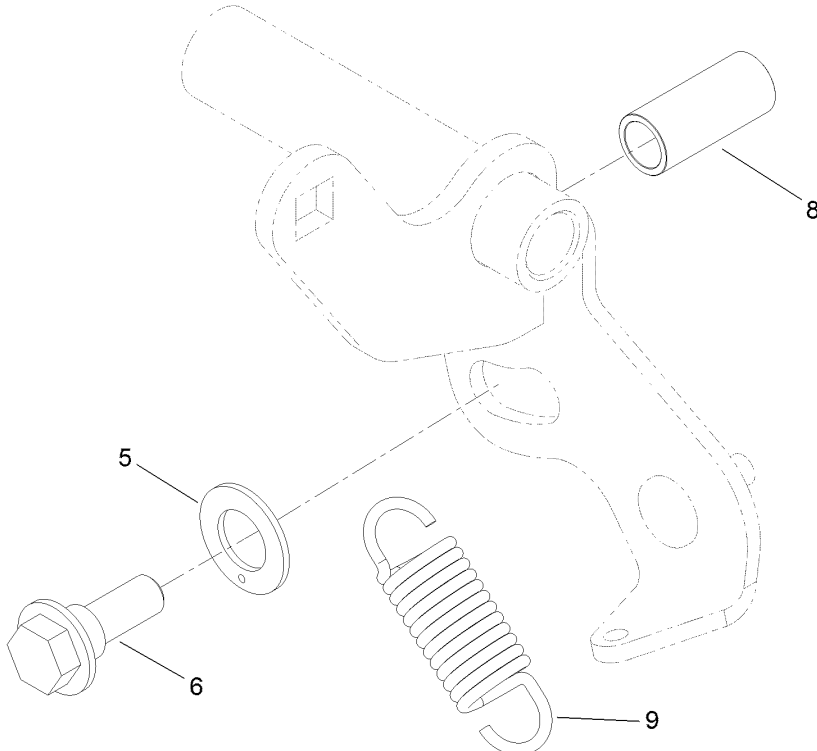
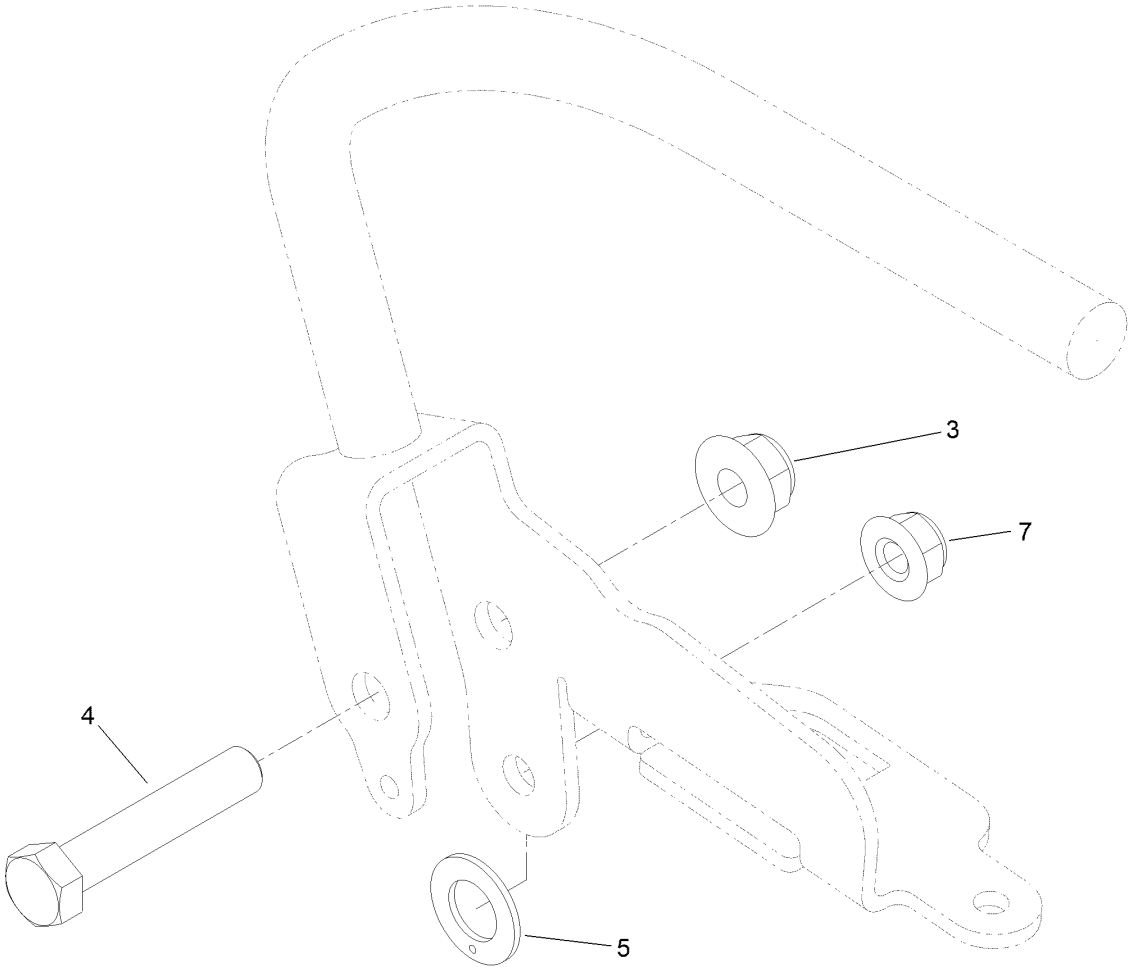
Control Handle Assembly No. 132-5157



Control Handle Assembly No. 132-5157 (continued)

| <i>Ref.</i> | <i>Part Number</i> | <i>Qty.</i> | <i>Description</i> | <i>Ref.</i> | <i>Part Number</i> | <i>Qty.</i> | <i>Description</i> |
|-------------|--------------------|-------------|--------------------|-------------|--------------------|-------------|--------------------|
| 2 | 131-3562 | 1 | Bearing-Sleeve | 7 | 116-2670 | 1 | Screw-Shoulder |
| 4 | 323-10 | 1 | Screw-HH | 8 | 104-8300 | 1 | Nut-HF, NI |
| 5 | 104-8301 | 1 | Nut-HF, NI | 9 | 132-5146 | 1 | Spring-Extension |
| 6 | 110-7191 | 2 | Washer-Thrust | | | | |

Control Handle Assembly No. 132-5158

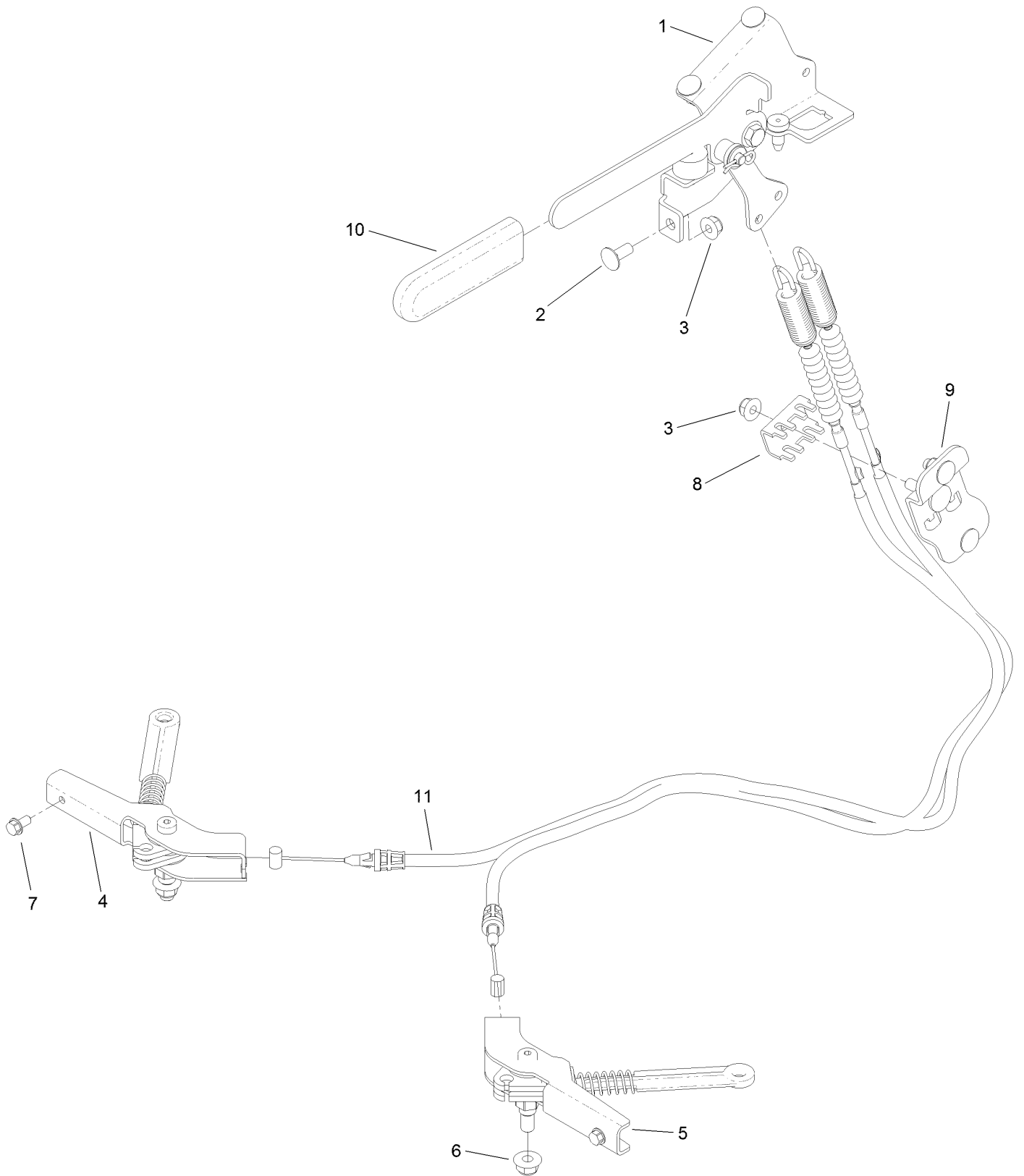


Control Handle Assembly No. 132-5158 (continued)

| <i>Ref.</i> | <i>Part Number</i> | <i>Qty.</i> | <i>Description</i> |
|-------------|--------------------|-------------|--------------------|
| 3 | 104-8301 | 1 | Nut-HF, NI |
| 4 | 323-10 | 1 | Screw-HH |
| 5 | 110-7191 | 2 | Washer-Thrust |
| 6 | 116-2670 | 1 | Screw-Shoulder |

| <i>Ref.</i> | <i>Part Number</i> | <i>Qty.</i> | <i>Description</i> |
|-------------|--------------------|-------------|--------------------|
| 7 | 104-8300 | 1 | Nut-HF, NI |
| 8 | 131-3562 | 1 | Bearing-Sleeve |
| 9 | 132-5146 | 1 | Spring-Extension |

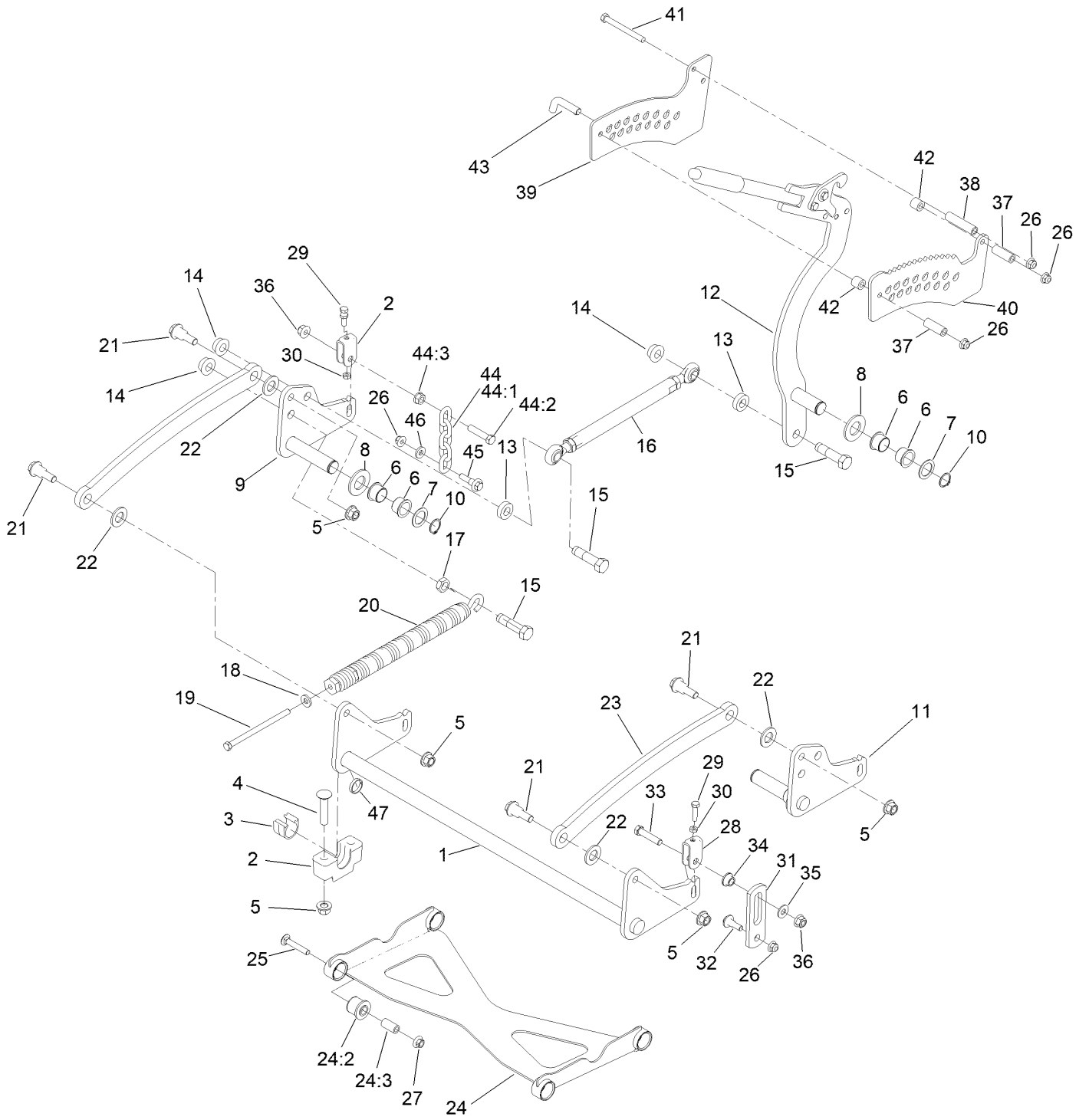
Parking Brake Assembly



Parking Brake Assembly (continued)

| <i>Ref.</i> | <i>Part Number</i> | <i>Qty.</i> | <i>Description</i> | <i>Ref.</i> | <i>Part Number</i> | <i>Qty.</i> | <i>Description</i> |
|-------------|--------------------|-------------|----------------------|-------------|--------------------|-------------|--------------------|
| 1 | 132-5170 | 1 | Brake Handle ASM | 7 | 32144-4 | 2 | Screw-HWH |
| 2 | 3230-23 | 5 | Bolt-CARR | 8 | 132-1187 | 1 | Clamp-Cable |
| 3 | 104-8300 | 6 | Nut-HF, NI | 9 | 132-7582 | 1 | Mount-Cable, Brake |
| 4 | 132-5168 | 1 | RH Brake Caliper ASM | 10 | 1-633268 | 1 | Grip-Lever |
| 5 | 132-5169 | 1 | LH Brake Caliper ASM | 11 | 131-1195 | 2 | Cable-Brake |
| 6 | 104-8301 | 2 | Nut-HF, NI | | | | |

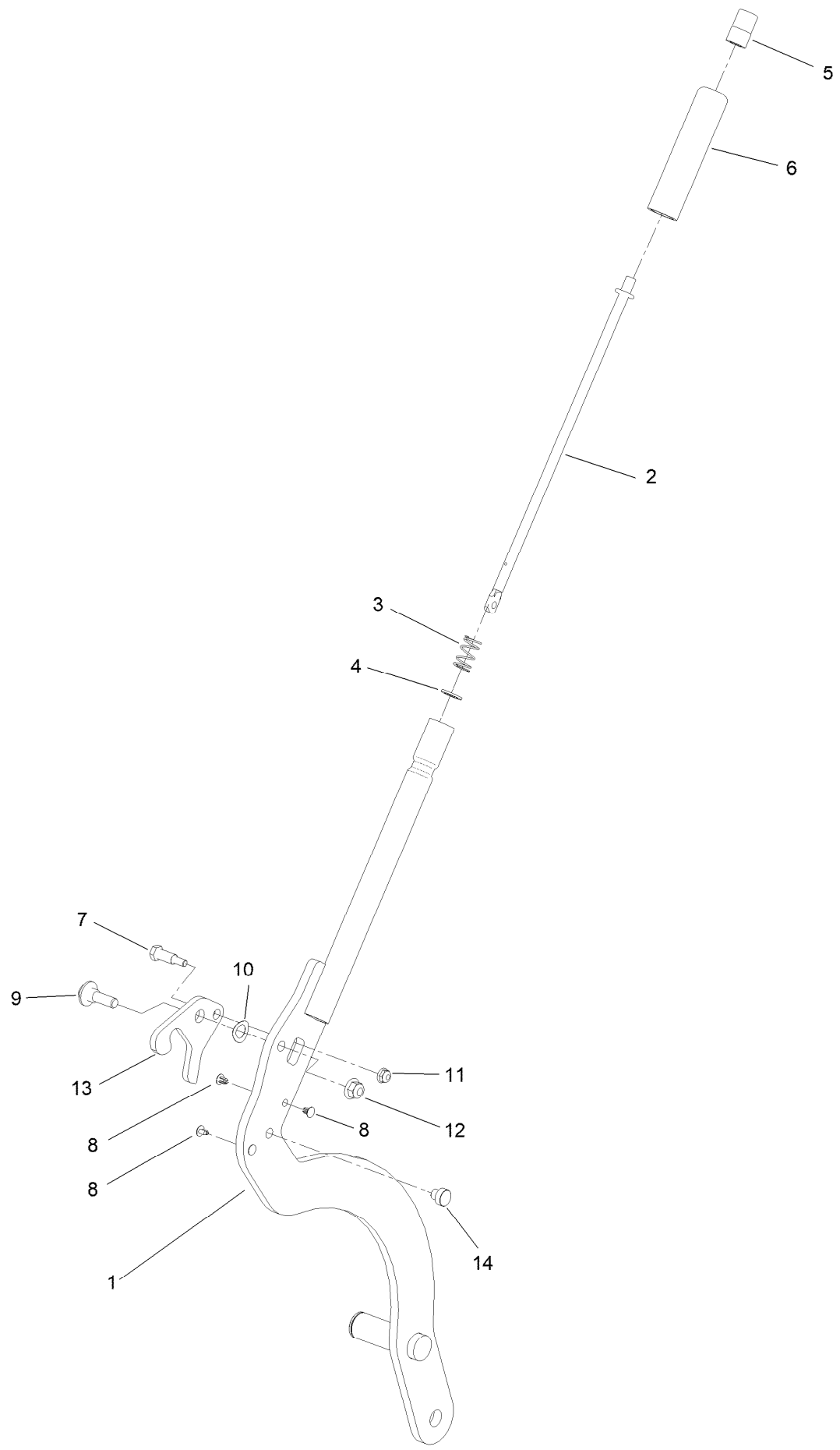
Deck Lift Assembly



Deck Lift Assembly (continued)

| <i>Ref.</i> | <i>Part Number</i> | <i>Qty.</i> | <i>Description</i> | <i>Ref.</i> | <i>Part Number</i> | <i>Qty.</i> | <i>Description</i> |
|-------------|--------------------|-------------|--------------------------------------|-------------|--------------------|-------------|-------------------------|
| 1 | 120-8405-01 | 1 | Shaft-Cross, Front | 25 | 3231-7 | 4 | Screw-CARR |
| 2 | 109-9409 | 2 | Support-Bearing, Cross Shaft (Front) | 26 | 104-8301 | 7 | Nut-HF, NI |
| 3 | 109-9410 | 2 | Bearing-Cross Shaft, Front | 27 | 32128-19 | 4 | Nut-HF Lock, Large Flg |
| 4 | 116-1700 | 4 | Bolt-CARR | 28 | 109-9066 | 4 | Yoke-Adjust, Deck |
| 5 | 99-5107 | 8 | Nut-Lock | 29 | 322-47 | 4 | Screw-HH |
| 6 | 127-0369 | 6 | Bushing | 30 | 3218-2 | 8 | Nut-Hex Jam |
| 7 | 10-8110 | 3 | Washer-Thrust | 31 | 130-6589 | 2 | Link-Lift |
| 8 | 3256-62 | 3 | Washer-Flat | 32 | 109-9840 | 2 | Screw-Shoulder, HHF |
| 9 | 127-0616-01 | 1 | Arm-Lift, Rear (RH) | 33 | 109-9065 | 2 | Screw-HH |
| 10 | 32151-29 | 3 | Ring-Retaining | 34 | 116-2428 | 2 | Bushing-Flanged |
| 11 | 127-0615-01 | 1 | Arm-Lift, Rear (LH) | 35 | 3256-4 | 2 | Washer-Flat |
| 12 | 130-1755 | 1 | HOC Lever ASM | 36 | 3296-48 | 4 | Nut-Hex |
| 13 | 119-6223 | 2 | Washer | 37 | 95-6448 | 2 | Spacer |
| 14 | 138-4932 | 3 | Nut-Hex Flg | 38 | 138-1111 | 1 | Spacer |
| 15 | 138-4931 | 3 | Screw-Lock | 39 | 132-7581 | 1 | HOC Plate And Decal ASM |
| 16 | 130-6615 | 1 | HOC Link ASM | 40 | 138-4887 | 1 | Plate-HOC, Inner |
| 17 | 3218-6 | 1 | Nut-Jam | 41 | 116-4701 | 3 | Screw-HHF |
| 18 | 98-5975 | 1 | Washer-Belleville | 42 | 121-1760 | 2 | Spacer |
| 19 | 323-58 | 1 | Bolt-TAP, HH | 43 | 116-5584 | 1 | Pin-HOC |
| 20 | 116-0886 | 1 | Spring-Extension | 44 | 116-0756 | 2 | Deck Lift Chain ASM |
| 21 | 116-0780 | 4 | Screw-Shoulder, HHF | 44:1 | 1-633447 | 1 | Chain-Lift, Deck |
| 22 | 3256-28 | 4 | Washer-Flat | 44:2 | 109-9065 | 1 | Screw-HH |
| 23 | 127-1948-03 | 2 | Link-Lift | 44:3 | 32128-37 | 1 | Nut-HF |
| 24 | 137-4129 | 1 | Deck Strut ASM | 45 | 130-0742 | 2 | Bolt-Shoulder |
| 24:2 | 137-4108 | 4 | Bushing-Rubber | 46 | 43-0940 | 2 | Spacer |
| 24:3 | 108-6544 | 4 | Spacer | 47 | 133-1431 | 1 | Spacer-Split |

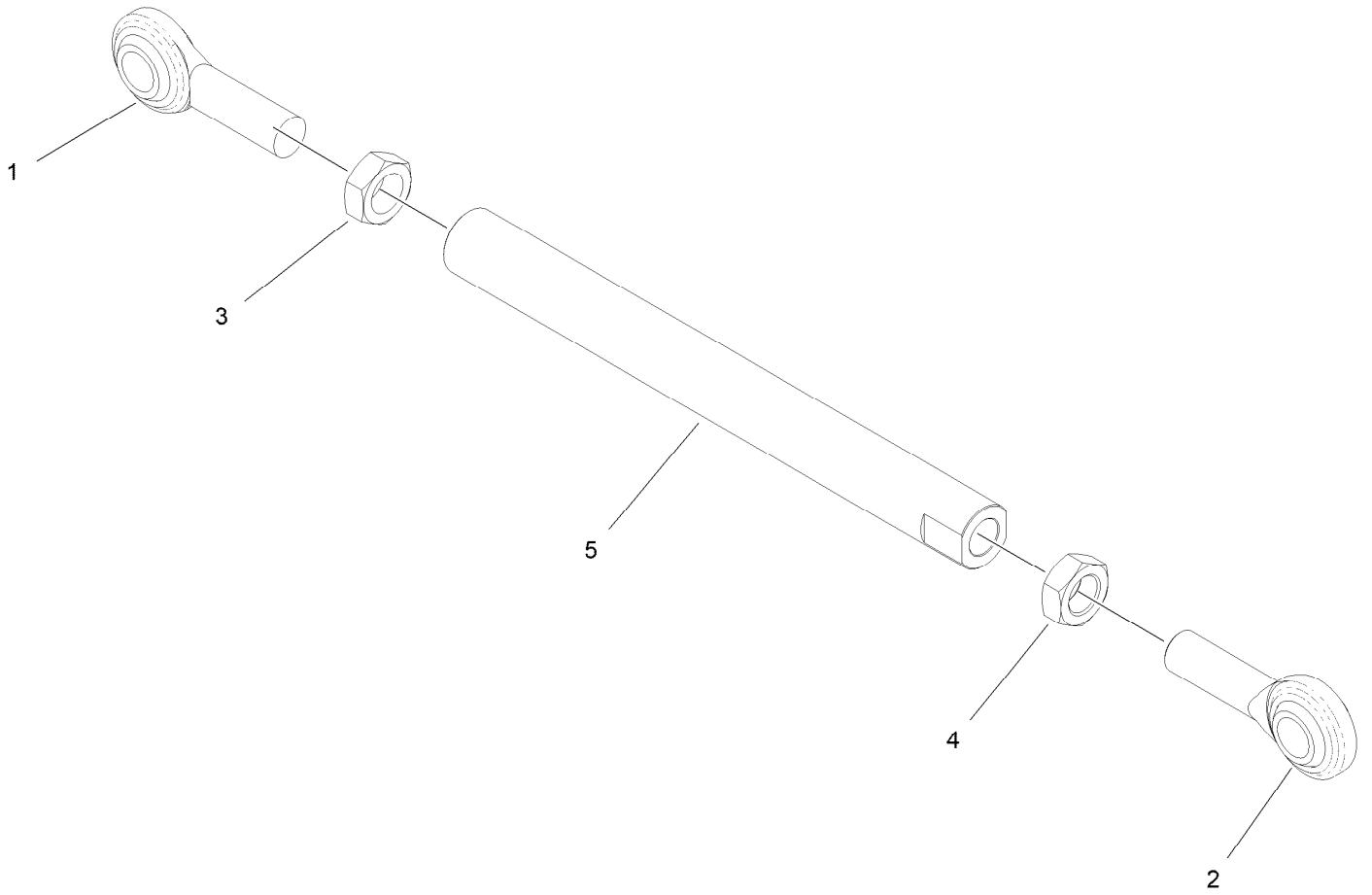
HOC Level Assembly No. 130-1755



HOC Level Assembly No. 130-1755 (continued)

| <i>Ref.</i> | <i>Part Number</i> | <i>Qty.</i> | <i>Description</i> | <i>Ref.</i> | <i>Part Number</i> | <i>Qty.</i> | <i>Description</i> |
|-------------|--------------------|-------------|--------------------|-------------|--------------------|-------------|---------------------|
| 1 | 130-1775-01 | 1 | Lever-Lift | 8 | 103-1363 | 4 | Rivet |
| 2 | 136-0530 | 1 | Rod-Latch, Release | 9 | 614672 | 1 | Screw-Shoulder, HWH |
| 3 | 114-8187 | 1 | Spring-Compression | 10 | 110-8982 | 1 | Washer-Spring |
| 4 | 114-1207 | 1 | Washer-Special | 11 | 104-7201 | 1 | Nut-HF, NI |
| 5 | 115-2750 | 1 | Knob | 12 | 104-8301 | 1 | Nut-HF, NI |
| 6 | 115-3592 | 1 | Grip | 13 | 138-4888 | 1 | Latch-HOC |
| 7 | 119-2309 | 1 | Bolt-Shoulder | 14 | 138-4863 | 1 | Plug-Wear |

HOC Link Assembly No. 130-6615

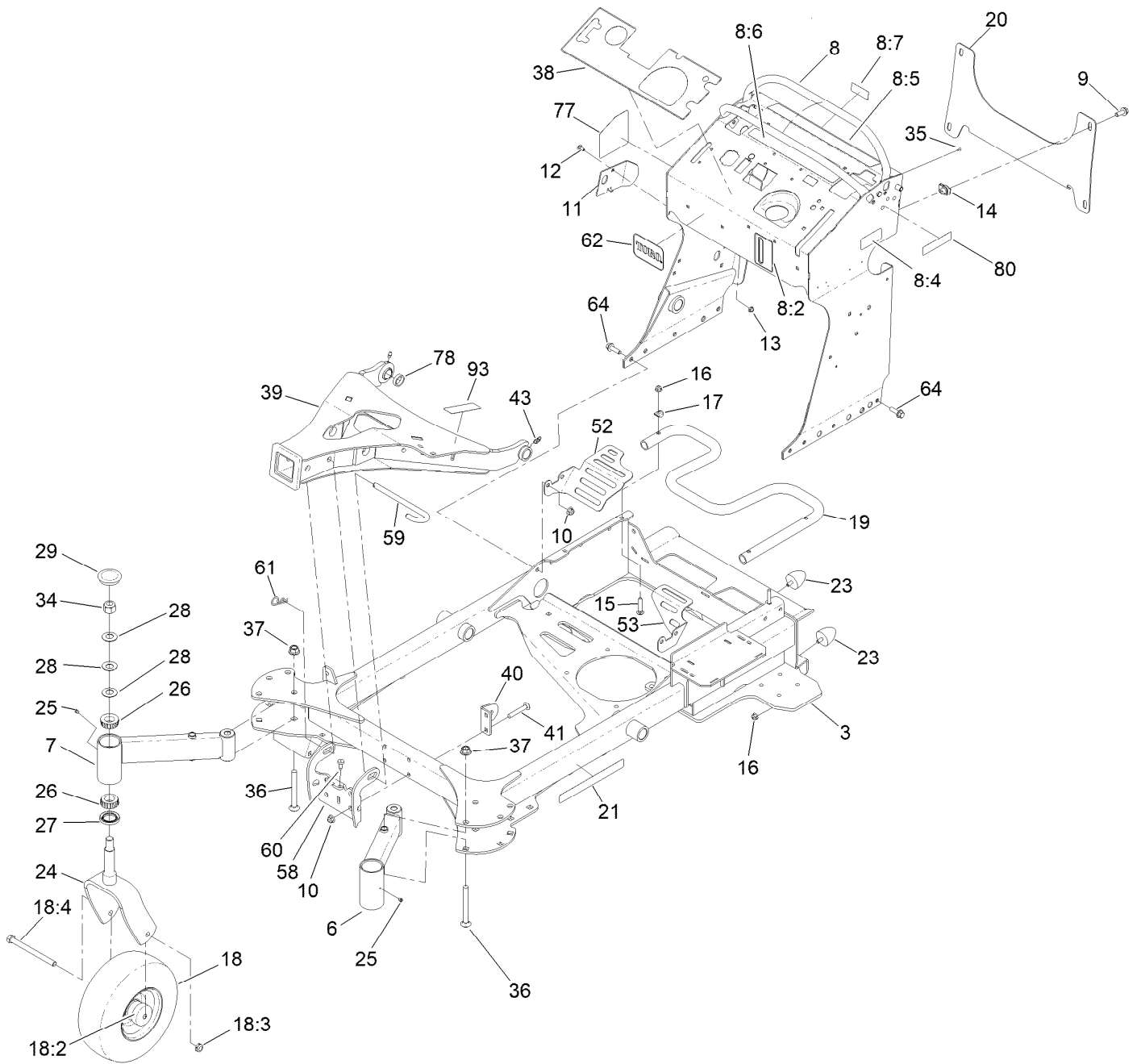


HOC Link Assembly No. 130-6615 (continued)

| <i>Ref.</i> | <i>Part Number</i> | <i>Qty.</i> | <i>Description</i> |
|-------------|--------------------|-------------|---------------------|
| 1 | 1-633029 | 1 | Balljoint-Spherical |
| 2 | 117-5291 | 1 | Balljoint-Spherical |
| 3 | 3220-6 | 1 | Nut-Jam |

| <i>Ref.</i> | <i>Part Number</i> | <i>Qty.</i> | <i>Description</i> |
|-------------|--------------------|-------------|--------------------|
| 4 | 117-5293 | 1 | Nut-Jam |
| 5 | 130-6614 | 1 | Link-Height Of Cut |

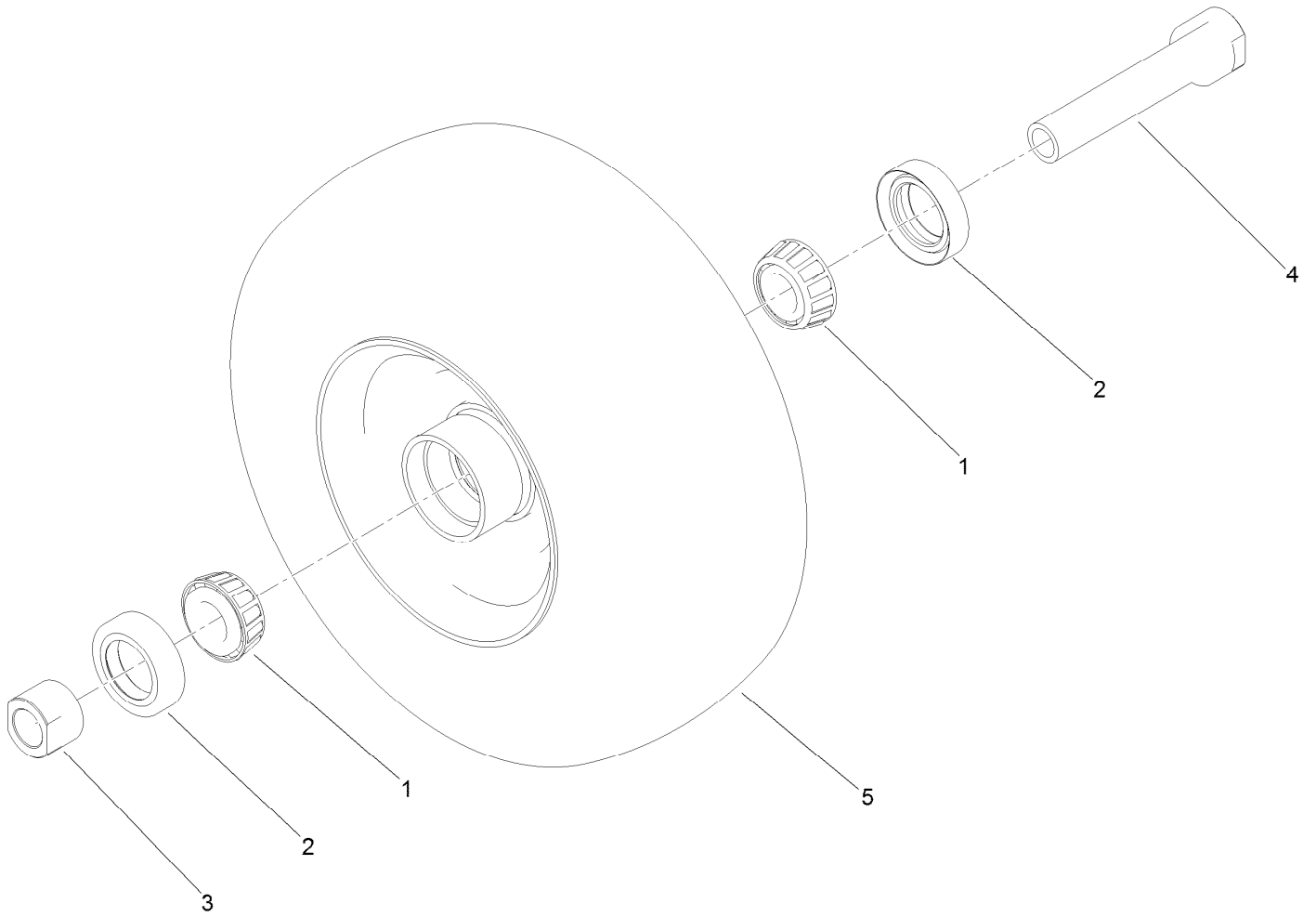
Frame Assembly



Frame Assembly (continued)

| <i>Ref.</i> | <i>Part Number</i> | <i>Qty.</i> | <i>Description</i> | <i>Ref.</i> | <i>Part Number</i> | <i>Qty.</i> | <i>Description</i> |
|-------------|--------------------|-------------|---------------------------|-------------|--------------------|-------------|--------------------------|
| 3 | 131-1510-01 | 1 | Frame | 25 | 1-811010 | 2 | Plug |
| 6 | 131-1523-01 | 1 | Tube-Castor, Short | 26 | 1-543509 | 4 | Bearing-Roller, Tapered |
| 7 | 131-1524-01 | 1 | Tube-Castor, Long | 27 | 116-5647 | 2 | Seal-Grease |
| 8 | 140-4283 | 1 | Tower Decal ASM | 28 | 1-633508 | 6 | Washer-Bellville |
| 8:2 | 131-3524 | 1 | Decal-Level, Oil | 29 | 103-4882 | 2 | Cap-Grease |
| 8:4 | 116-8775 | 1 | Decal-Fill, Fuel | 34 | 3296-51 | 2 | Nut-Lock, NI |
| 8:5 | 139-2878 | 1 | Decal-Warning | 35 | 3290-271 | 2 | Rivet-Pop |
| 8:6 | 131-3526 | 1 | Decal-Controls | 36 | 3233-7 | 4 | Screw-CARR |
| 8:7 | 147-0212 | 1 | Decal - Fuse | 37 | 99-5107 | 4 | Nut-Lock |
| 9 | 3234-42 | 4 | Screw-HHF | 38 | 140-4260 | 1 | Decal, Multi-Force |
| 10 | 104-8301 | 12 | Nut-HF, NI | 39 | 133-4662-03 | 1 | A-Frame |
| 11 | 131-7455 | 1 | Plate-Striker | 40 | 127-0649-01 | 2 | Bracket-Cylinder |
| 12 | 3229-11 | 1 | Screw-CARR | 41 | 3231-44 | 4 | Screw-CARR |
| 13 | 104-7201 | 1 | Nut-HF, NI | 43 | 302-40 | 1 | Fitting-Grease, 90 DEG |
| 14 | 105-4886 | 4 | Nut-Tinnerman | 52 | 132-7578-01 | 1 | Guard-Fan, RH |
| 15 | 3230-5 | 3 | Bolt-CARR | 53 | 132-7598-01 | 1 | Guard-Fan, LH |
| 16 | 104-8300 | 7 | Nut-HF, NI | 58 | 133-5320-01 | 1 | Bracket-Lock |
| 17 | 107-3844 | 3 | Washer | 59 | 133-2021 | 1 | Pin-Hitch |
| 18 | 140-5485 | 2 | Mf Wheel Tire Bearing ASM | 60 | 87-8460 | 2 | Bumper-Rubber |
| 18:2 | 103-2768 | 2 | Guard-Seal | 61 | 92-2762 | 1 | Pin-Hair |
| 18:3 | 3296-45 | 1 | Nut-Hex | 62 | 126-5060 | 1 | Decal-Logo, Toro |
| 18:4 | 325-20 | 1 | Screw-HH | 64 | 119-4061 | 8 | Screw-HHF |
| 19 | 132-5161-01 | 1 | Tube-Mount, Fuel Tank | 77 | 133-4648 | 1 | Decal Service-Multiforce |
| 20 | 132-1145-03 | 1 | Bracket-Cross | 78 | 116-6758 | 1 | Spacer |
| 21 | 117-3591 | 2 | Decal-Commercial | 80 | 133-8062 | 1 | Decal-Arrestor, Spark |
| 23 | 114-1926 | 4 | Bumper-Rubber | 93 | 115-4855 | 1 | Decal-Caution |
| 24 | 147-6343-01 | 2 | Caster Fork ASM [red] | | | | |

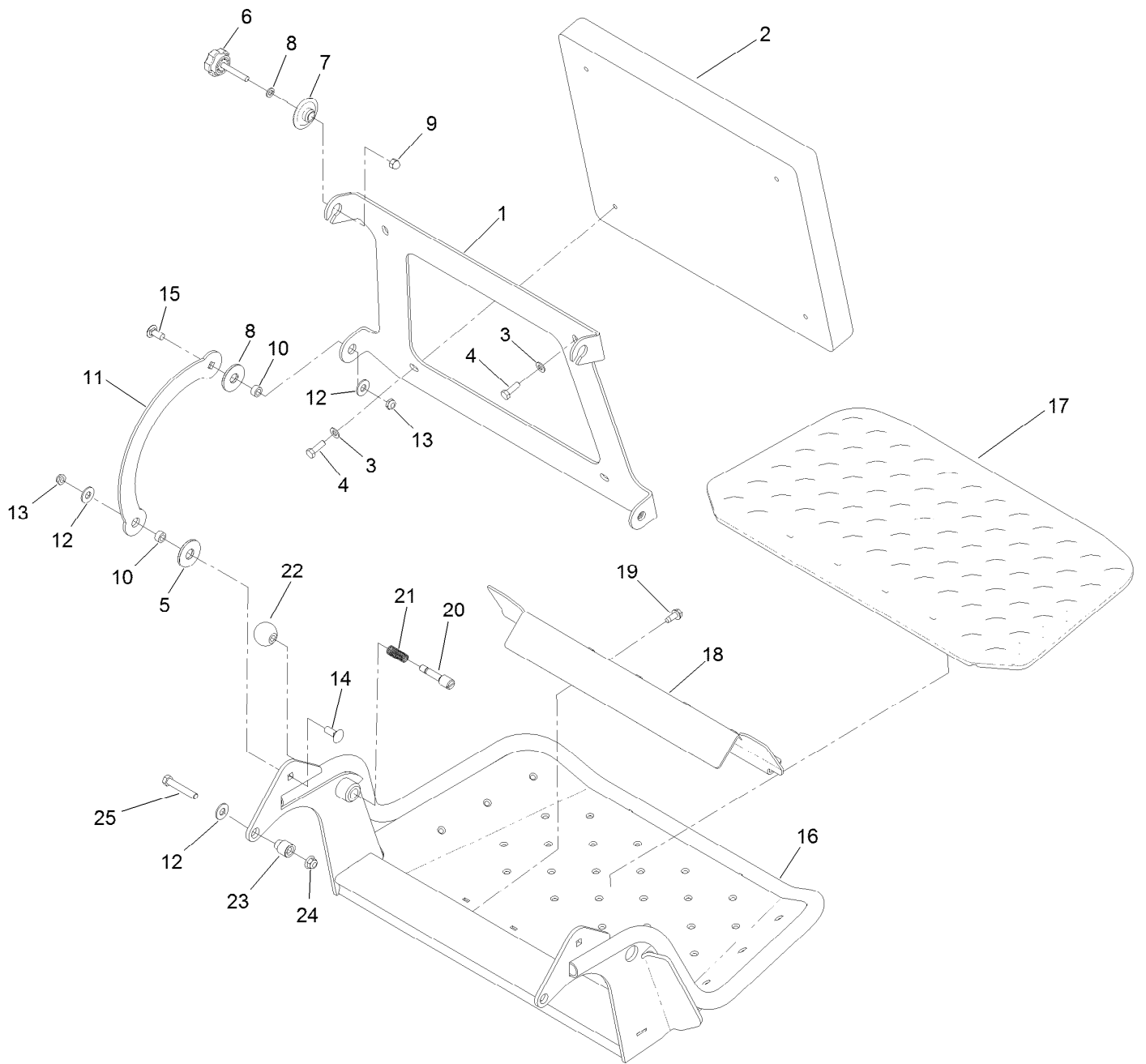
Wheel and Bearing Assembly



Wheel and Bearing Assembly (continued)

| <i>Ref.</i> | <i>Part Number</i> | <i>Qty.</i> | <i>Description</i> | <i>Ref.</i> | <i>Part Number</i> | <i>Qty.</i> | <i>Description</i> |
|-------------|--------------------|-------------|---------------------|-------------|--------------------|-------------|-----------------------|
| 1 | 1-633585 | 2 | Bearing-Cone, Taper | 4 | 126-5359 | 1 | Caster Axle ASM |
| 2 | 103-0063 | 2 | Seal-Caster | 5 | 140-5483 | 1 | Mf Wheel And Tire ASM |
| 3 | 103-3051 | 1 | Spacer-Nut | | | | |

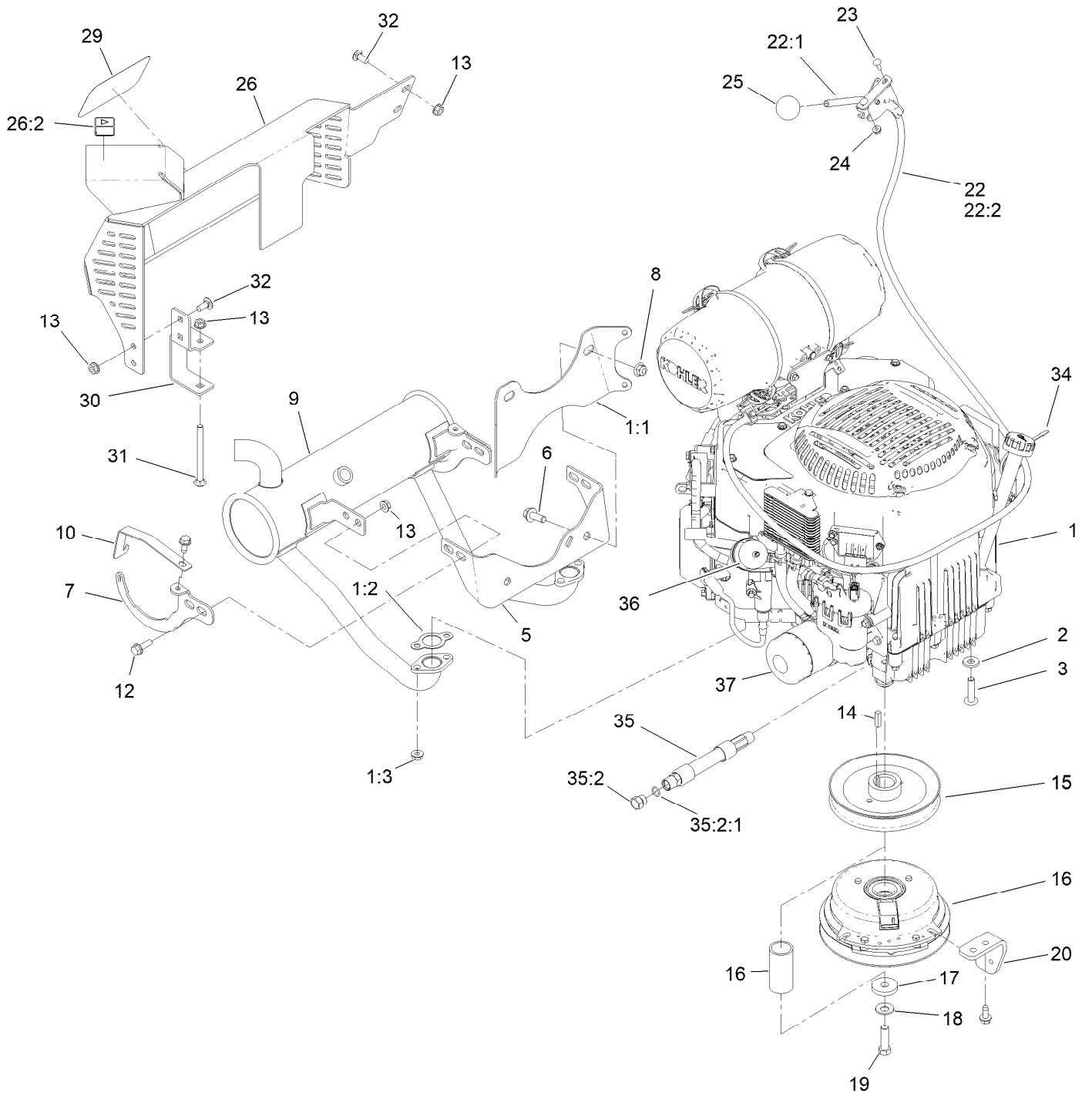
Platform Assembly



Platform Assembly (continued)

| <i>Ref.</i> | <i>Part Number</i> | <i>Qty.</i> | <i>Description</i> | <i>Ref.</i> | <i>Part Number</i> | <i>Qty.</i> | <i>Description</i> |
|-------------|--------------------|-------------|----------------------------|-------------|--------------------|-------------|--------------------|
| 1 | 120-8499-03 | 1 | Hinge-Pad | 14 | 3231-2 | 2 | Bolt-CARR |
| 2 | 117-9739 | 1 | Pad-Cushion | 15 | 3231-27 | 2 | Screw-CARR |
| 3 | 3256-23 | 4 | Washer-Plain | 16 | 120-8475-01 | 1 | Platform |
| 4 | 121-7999 | 4 | Screw-HH | 17 | 126-7157 | 1 | Mat-Platform |
| 5 | 114-0463 | 4 | Washer-Friction, Composite | 18 | 3345-771 | 1 | Shield Clamp Kit |
| 6 | 133-1426 | 2 | Knob | 19 | 32144-70 | 2 | Screw-HWHTF |
| 7 | 116-2886 | 2 | Slide-Bushing | 20 | 119-8650 | 1 | Pin-Latch |
| 8 | 3253-4 | 2 | Washer-Lock | 21 | 114-5348 | 1 | Spring |
| 9 | 137-4808 | 2 | Nut-Acorn | 22 | 1-603175 | 1 | Knob-Ball |
| 10 | 111044 | 4 | Spacer | 23 | 132-7583 | 2 | Bushing-Flanged |
| 11 | 114-1915-01 | 2 | Link-Pad | 24 | 104-8301 | 2 | Nut-HF, NI |
| 12 | 3256-4 | 6 | Washer-Flat | 25 | 323-45 | 2 | Screw-HH |
| 13 | 3296-59 | 4 | Nut-Lock, NI | | | | |

Engine Assembly



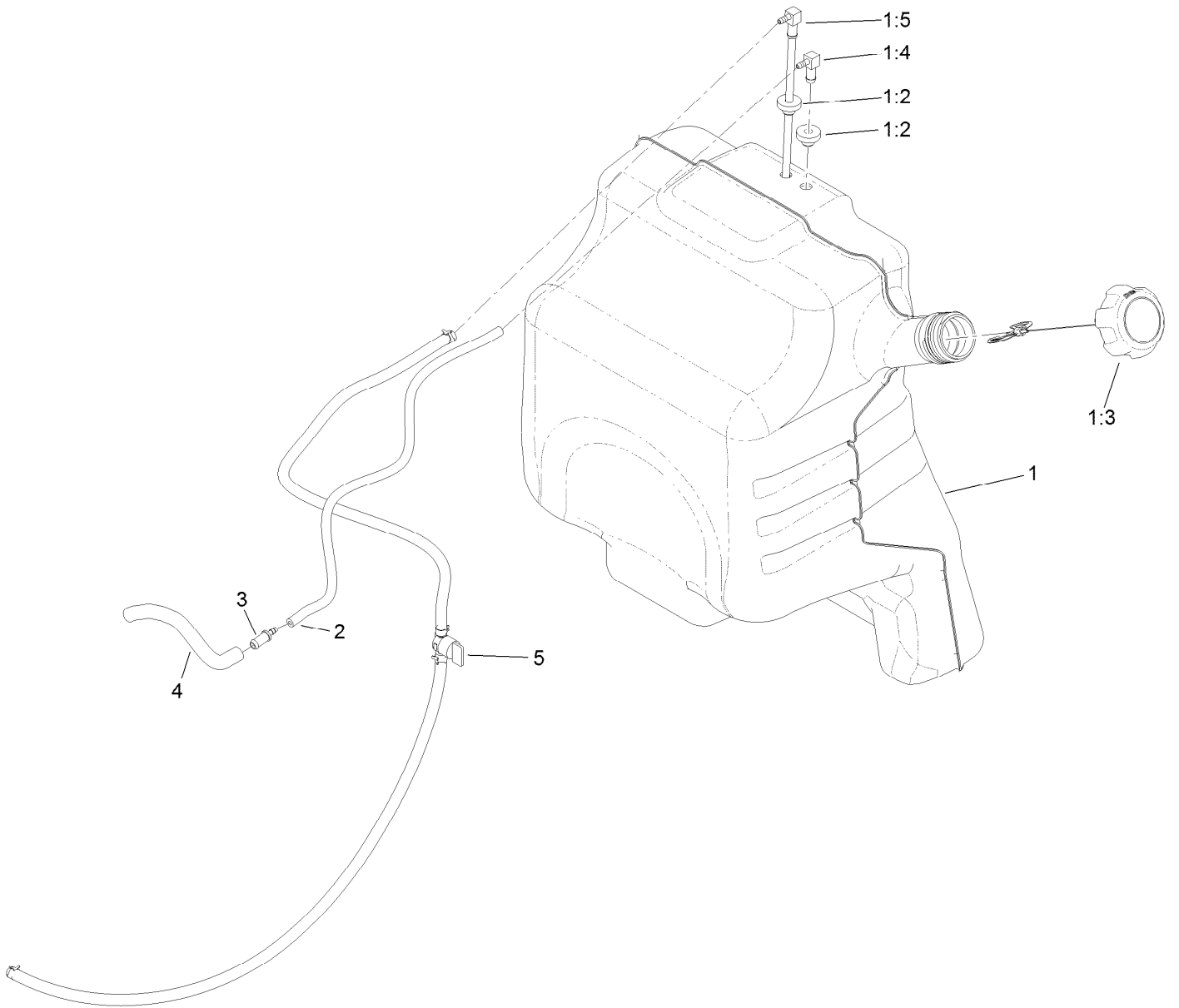
Engine Assembly (continued)

| <i>Ref.</i> | <i>Part Number</i> | <i>Qty.</i> | <i>Description</i> | <i>Ref.</i> | <i>Part Number</i> | <i>Qty.</i> | <i>Description</i> |
|-------------|--------------------|-------------|--------------------------|-------------|--------------------|-------------|-------------------------|
| 1 | | 1 | Engine-Kohler, Ecv749 ●■ | 20 | 131-3586-03 | 1 | Stop-Clutch |
| 1:1 | 131-7400 | 1 | Bracket-Muffler | 22 | 132-5152 | 1 | Throttle ASM |
| 1:2 | 110-6697 | 2 | Gasket-Exhaust | 22:1 | 110-5547 | 1 | Lever-Control |
| 1:3 | 68-9400 | 4 | Nut-Flange | 22:2 | 132-5141 | 1 | Cable - Throttle |
| 2 | 98-5975 | 4 | Washer-Belleville | 23 | 1-807533 | 2 | Bolt-CARR |
| 3 | 126-0983 | 4 | Screw-BHTF | 24 | 32128-17 | 2 | Nut-Lock, Flange |
| 5 | 132-1168 | 1 | Bracket-Muffler | 25 | 1-603175 | 1 | Knob-Ball |
| 6 | 3234-42 | 2 | Screw-HHF | 26 | 131-3550 | 1 | Muffler Guard ASM |
| 7 | 133-4613 | 2 | Support-Muffler | 26:2 | 106-5517 | 1 | Decal-Warning |
| 8 | 104-8301 | 2 | Nut-HF, NI | 29 | 94-2579 | 1 | Decal |
| 9 | 133-4634 | 1 | Muffler-Kohler | 30 | 131-3530-03 | 1 | Bracket-Mounting, Guard |
| 10 | 133-4639 | 2 | Bracket-Muffler, Koh | 31 | 106-9758 | 1 | Screw-CARR |
| 12 | 3234-17 | 4 | Screw-HHF | 32 | 3230-23 | 4 | Bolt-CARR |
| 13 | 32128-25 | 9 | Nut-HF | 34 | 3290-378 | 1 | Tie-Cable |
| 14 | 1-807259 | 1 | Key | 35 | 133-4657 | 1 | Hose ASM |
| 15 | 120-8498 | 1 | Pulley | 35:2 | 353-508 | 1 | Plug-HH |
| 16 | 139-7910 | 1 | Clutch-200Cms | 35:2:1 | 237-42 | 1 | O-Ring |
| 17 | 107-4136 | 1 | Washer | 36 | 94-9695 | 1 | Filter-Fuel |
| 18 | 1-603610 | 1 | Washer-Spring | 37 | 98020 | 1 | Filter-Oil |
| 19 | 3212-6 | 1 | Screw-HH | | | | |

● Not serviced separately

■ Obtain parts from www.kohlerplus.com

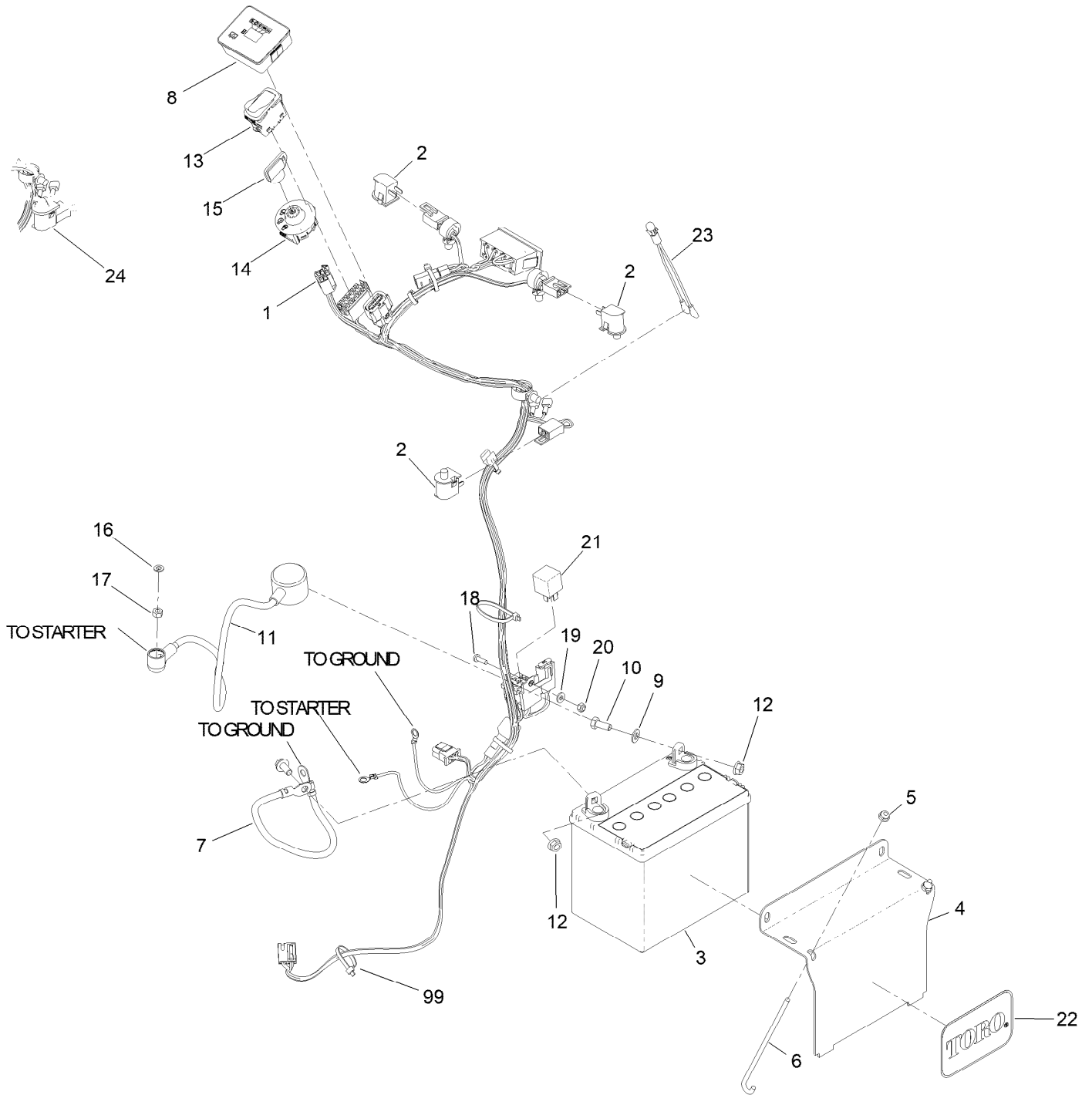
Fuel Tank Assembly



Fuel Tank Assembly (continued)

| <i>Ref.</i> | <i>Part Number</i> | <i>Qty.</i> | <i>Description</i> | <i>Ref.</i> | <i>Part Number</i> | <i>Qty.</i> | <i>Description</i> |
|-------------|--------------------|-------------|-----------------------|-------------|--------------------|-------------|--------------------|
| 1 | 132-7560 | 1 | Fuel Tank ASM | 2 | 110-8255 | 1 | Hose-Fuel |
| 1:2 | 46-6560 | 2 | Bushing | 3 | 98-2952 | 1 | Fitting-Straight |
| 1:3 | 137-4127 | 1 | Cap-Fuel | 4 | 132-7576 | 1 | Hose-Fuel |
| 1:4 | 104-5228 | 1 | Fitting-Elbow, 90 DEG | 5 | 132-7545 | 1 | Fuel Line ASM |
| 1:5 | 145-6195 | 1 | ASM, Tube-Fuel | | | | |

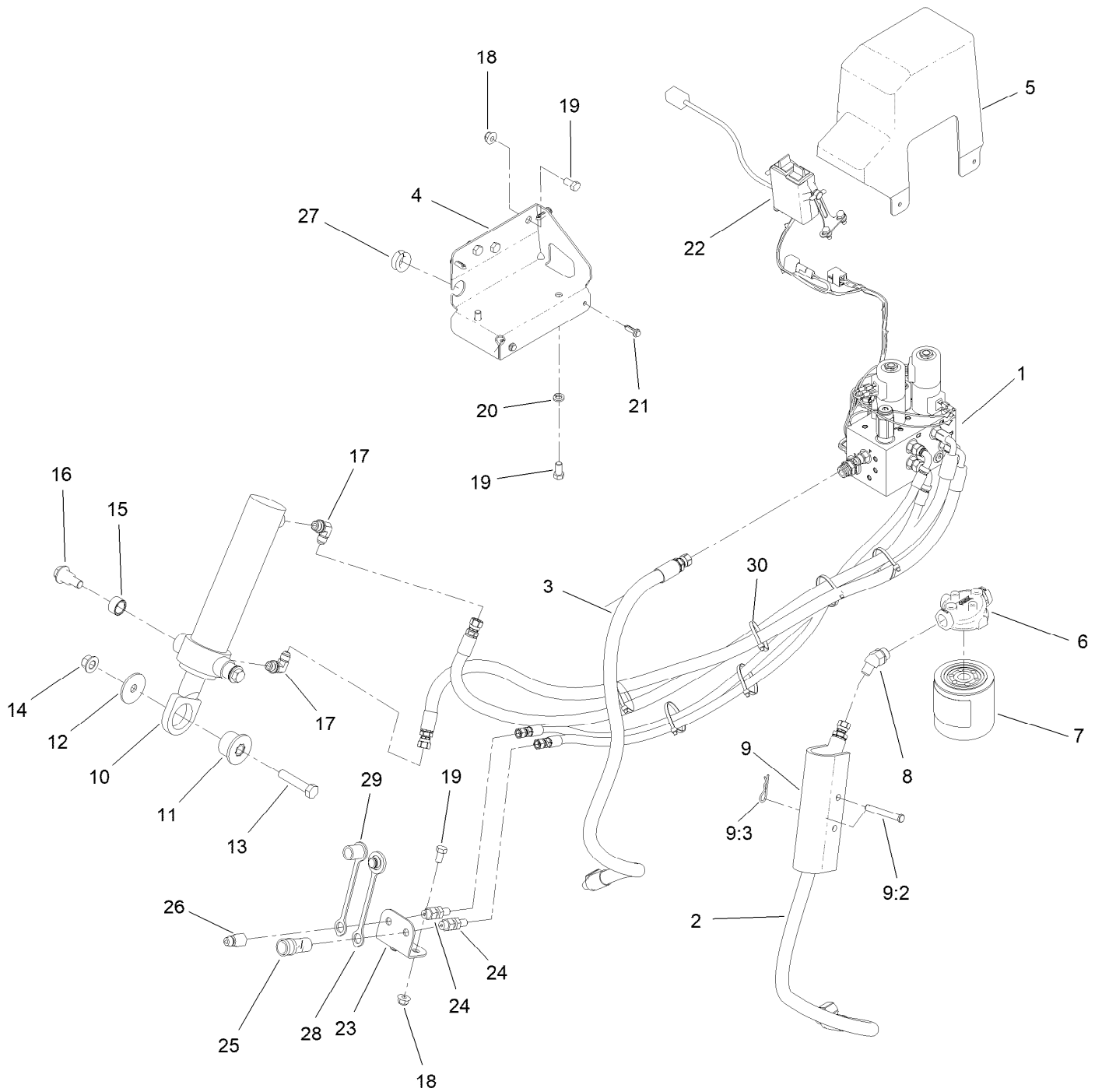
Electrical Assembly



Electrical Assembly (continued)

| <i>Ref.</i> | <i>Part Number</i> | <i>Qty.</i> | <i>Description</i> | <i>Ref.</i> | <i>Part Number</i> | <i>Qty.</i> | <i>Description</i> |
|-------------|--------------------|-------------|----------------------------|-------------|--------------------|-------------|--------------------|
| 1 | 145-3551 | 1 | Harness-Wire, Grandstand | 14 | 137-4101 | 1 | Switch-Ignition |
| 2 | 82-2190 | 2 | Switch-Bail | 15 | 63-8360 | 1 | Key-Ignition |
| 3 | 104-8162 | 1 | Battery | 16 | 3253-3 | 1 | Washer-Lock |
| 4 | 130-6635-01 | 1 | Bracket-Hold Down, Battery | 17 | 3217-5 | 1 | Nut-Hex |
| 5 | 104-7201 | 2 | Nut-HF, NI | 18 | 3290-500 | 1 | Screw-PPH |
| 6 | 1-633651 | 2 | Bolt-Holddown | 19 | 3256-14 | 1 | Washer-Flat |
| 7 | 112-7063 | 1 | Cable-Battery, Black | 20 | 3296-2 | 1 | Nut-Lock, NI |
| 8 | 140-1884 | 1 | Module-Meter, Hour | 21 | 1-643275 | 1 | Relay |
| 9 | 3256-23 | 2 | Washer-Plain | 22 | 67-1300 | 1 | Decal |
| 10 | 322-3 | 2 | Screw-HH | 23 | 1-643267 | 1 | Indicator-LED, Red |
| 11 | 115-3864 | 1 | Cable-Battery, Positive | 24 | 133-4654 | 1 | Switch-Plunger |
| 12 | 109-5715 | 2 | Nut-HHF, Smooth | 99 | 3290-378 | 5 | Tie-Cable |
| 13 | 139-6367 | 1 | Switch-Rocker, (On)-On-Off | | | | |

Low Flow Hydraulics Assembly

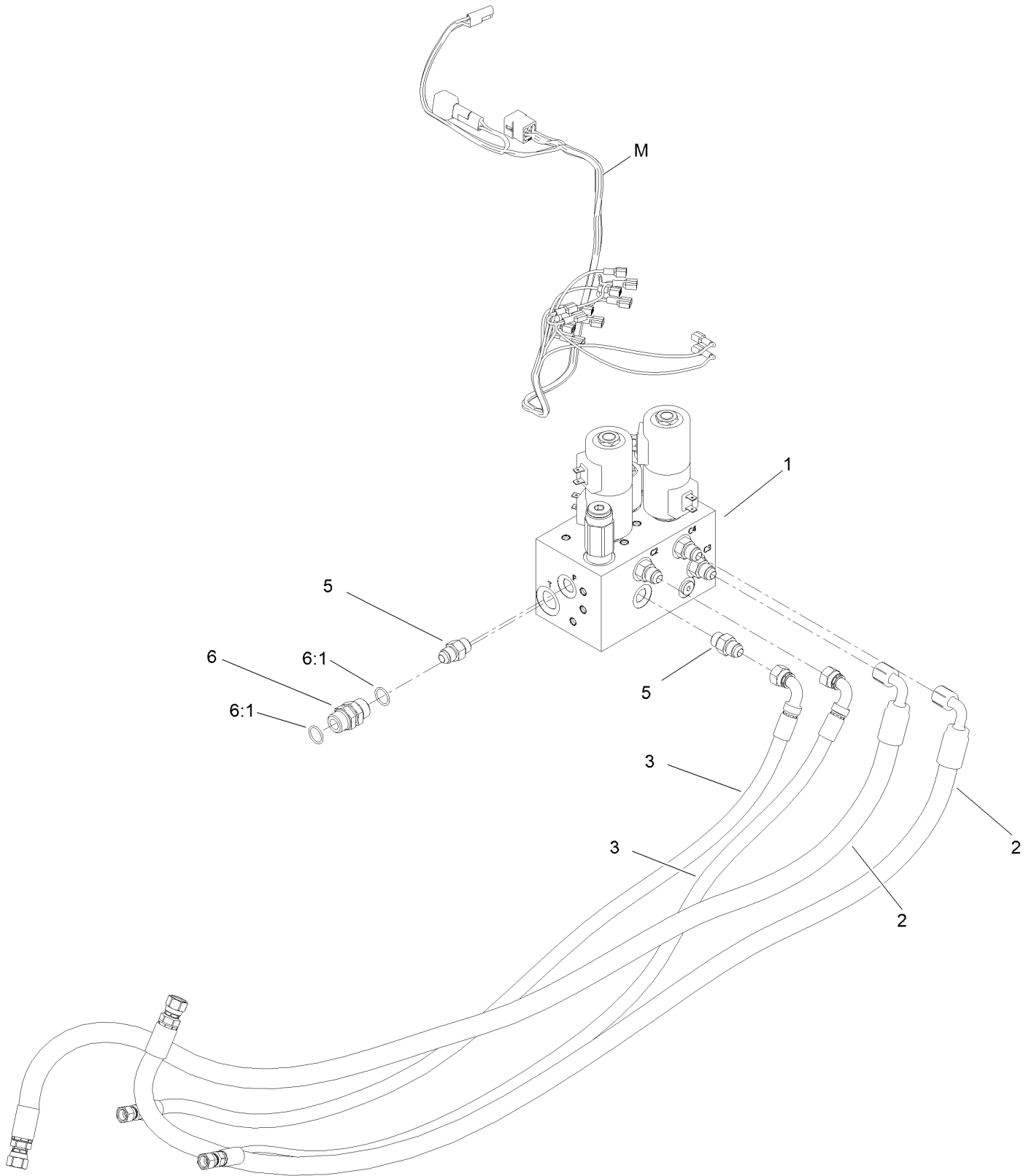


Low Flow Hydraulics Assembly (continued)

| <i>Ref.</i> | <i>Part Number</i> | <i>Qty.</i> | <i>Description</i> | <i>Ref.</i> | <i>Part Number</i> | <i>Qty.</i> | <i>Description</i> |
|-------------|--------------------|-------------|--|-------------|--------------------|-------------|---|
| 1 | | 1 | Low Flow Manifold ASM ● | 16 | HDW13947 | 2 | Bolt,Shoulder,Pivot |
| 2 | HYD13937 | 1 | Hose,1/2FORF 90 Short X 3/8FJIC X 38 | 17 | HYD13925 | 2 | Fitting,90,6-MORB X 6-M37JIC |
| 3 | HYD13938 | 1 | Hose,1/2FORF 90 Short X 3/8FJIC X 45 | 18 | 104-8301 | 5 | Nut-HF, NI |
| 4 | HYD13942-03 | 1 | Bracket,HYD MAN,Grandstand | 19 | 323-4 | 7 | Screw-HH |
| 5 | HYD13941 | 1 | Cover,Manifold,Grandstand | 20 | 3253-21 | 2 | Washer-Lock |
| 6 | HYD14087 | 1 | Grandstand,Head,Filter,-08ORB | 21 | HDW17303 | 4 | Tuflok Rivet |
| 7 | HYD14155 | 1 | Filter,Winter,Spin-On,Grandstand | 22 | | 1 | Controler Kit, Mf Low Flow ● |
| 8 | HYD14086 | 1 | Fitting-Elbow 45 | 23 | HYD13943-03 | 1 | Mounting Bracket,Bulkhead |
| 9 | 137-4106 | 1 | Lift Cylinder Lock Kit | 24 | HYD13159 | 2 | Fitting,Bulkhead,1/4MJIC X 1/4MNPT |
| 9:2 | 283-52 | 1 | Pin-Clevis | 25 | HYD13160 | 1 | Fitting,Quick Connect,Female,1/4FNPT |
| 9:3 | 3290-467 | 1 | Pin-Hair | 26 | HYD13161 | 1 | Fitting,Quick Connect,Male,1/4FNPT |
| 10 | HYD13944 | 1 | Cylinder,Lift,2X8 | 27 | TGS05834 | 1 | Grommet,3/4ID X 1OD X 1/4Groove, TGS |
| 11 | MSC13350 | 1 | Bushing Assy,Lift Cylinder,Grandstand | 28 | 353-984 | 1 | Plug-Dust |
| 12 | 55-7960 | 1 | Washer-Large | 29 | 353-985 | 1 | Cap-Dust |
| 13 | 325-10 | 1 | Screw-HH | 30 | 3290-378 | 7 | Tie-Cable |
| 14 | 99-5107 | 1 | Nut-Lock | | | | |
| 15 | HDW13948 | 2 | Bushing,.75X.75 | | | | |

● Not serviced separately

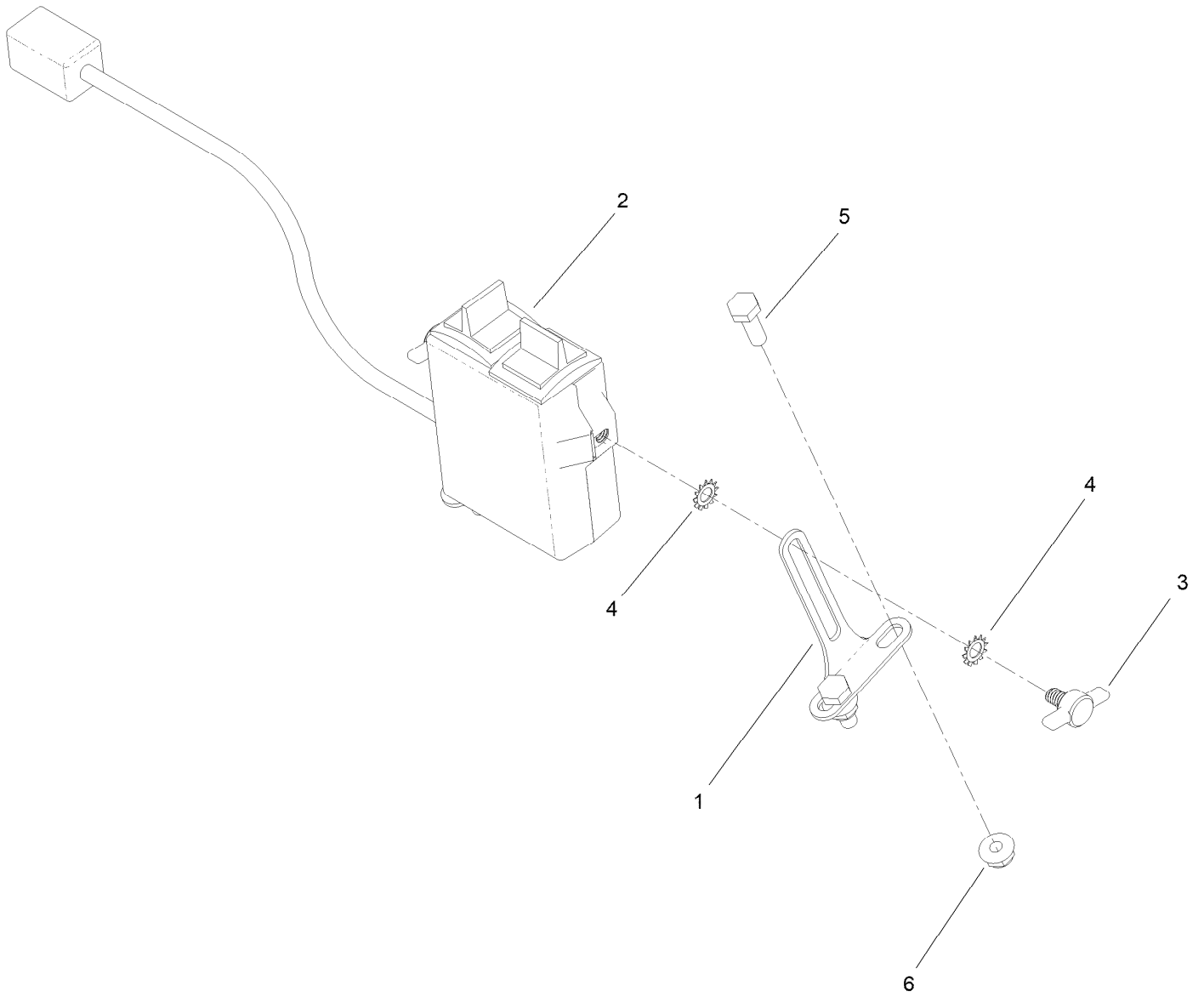
Low Flow Manifold Assembly



Low Flow Manifold Assembly (continued)

| <i>Ref.</i> | <i>Part Number</i> | <i>Qty.</i> | <i>Description</i> | <i>Ref.</i> | <i>Part Number</i> | <i>Qty.</i> | <i>Description</i> |
|-------------|--------------------|-------------|----------------------------------|-------------|--------------------|-------------|--------------------------------|
| 1 | 147-0211 | 1 | Manifold, Gs Low Flow | 5 | HYD13932 | 5 | Fitting-Straight |
| 2 | HYD13940 | 2 | Hose,3/8FJIC X 3/8FJIC90 X 50 | 6 | 95-3209 | 1 | Fitting-Thread, Straight |
| 3 | HYD13939 | 2 | Hose,1/4FJIC X 3/8FJIC90 X 37 | 6:1 | 237-79 | 2 | O-Ring |
| | | | | M | MSC13819 | 1 | Control Harness, Grandstand |

Low Flow Controller Kit Assembly



Low Flow Controller Kit Assembly (continued)

| <i>Ref.</i> | <i>Part Number</i> | <i>Qty.</i> | <i>Description</i> | <i>Ref.</i> | <i>Part Number</i> | <i>Qty.</i> | <i>Description</i> |
|-------------|--------------------|-------------|-------------------------------------|-------------|--------------------|-------------|------------------------|
| 1 | MSC13707 | 2 | Bracket,Lg,ATV/UTV CB | 4 | HDW13711 | 4 | Star Washer 1/4,ATV CB |
| 2 | STB13903 | 1 | Control,Switch Box,Grandstand | 5 | 321-4 | 4 | Screw-HH |
| 3 | HDW13714 | 2 | Thumb Screw,1/4-20 X 7/16,ATV CB | 6 | 104-7201 | 4 | Nut-HF, NI |

Attachments and Accessories

For 72530 GrandStand Multi Force Mower With 52in TURBO FORCE Cutting Unit and Low Flow Hydraulics

| Product Name | Model/Part |
|--|------------|
| Air Cleaner Filter | 100-4556 |
| Filter Air Safety | 103-1326 |
| Turbo Baffle Kit | 107-1634 |
| Hypr-Oil 500 (quart) | 114-4713 |
| Hypr-Oil 500 (gallon)..... | 114-4714 |
| Hypr-Oil 500-5 (5 gallon)..... | 114-4715 |
| Harness Wire Splitter | 121-5988 |
| Spark Plug | 130-8380 |
| Fuel Filter..... | 130-8381 |
| Toro Premium Fuel Treatment 12 Oz Bottle | 131-6572 |
| Speed Setting Tool..... | 132-7595 |
| Roller Striper Kit..... | 133-1436 |
| Light Kit..... | 133-1437 |
| Electric Accessory Port..... | 133-1438 |
| HOC Set Blocks..... | 133-1439 |
| Anti-Scalp Kit, 48/52 Grandstand Deck..... | 133-1440 |
| Trimmer Rack | 133-1441 |
| Hydro Oil Change Kit | 133-1457 |
| Strobe Light Kit | 133-1495 |
| 5 Gallon Bucket | 133-2533 |
| Wheel Weight Kit | 133-5386 |
| Quick-attach-male | 136-0513 |
| Hydraulic Cap Lock Kit..... | 136-5420 |
| Case Drain Kit..... | 136-7436 |
| Multiforce EC Float Kit | 136-8350 |
| Broom Rubber Flap Kit | 137-3920 |
| Lift Cylinder Lock Kit | 137-4106 |
| Bagger Enhancement Kit..... | 139-1529 |
| Idler Kit, Blower Kit for GrandStand Multi Force Mower..... | 139-1546 |
| Recycler Kit | 139-6653 |
| 18x8.5n10 X-Tweel Turf..... | 139-7890 |
| 6in Hose Kit, E-Z Vac Twin Bagger, 2016 and After Grandstand Mower | 139-7930 |
| Blower Upgrade Kit, Twin Bagger, 2016 and After Grandstand Mower..... | 139-7940 |
| Blade-18.00 High Flow | 140-1242 |
| Snow Tire Kit | 140-4310 |
| Pneumatic Castor Wheel Kit | 140-4311 |
| Blade-18.00 Medium Flow | 140-4856 |
| Blade-18.00 Low Flow | 140-4857 |
| Blade-18.00 Atomic | 140-4858 |
| Blade-18.00 Recycler | 140-4859 |
| 6 Pack-Blade, 18.00 High Flow..... | 140-4882 |
| 6 Pack-Blade, 18.00 Med Flow | 140-4883 |
| 6 Pack-Blade, 18.00 Low Flow | 140-4884 |
| 6 Pack-Blade, 18.00 Atomic..... | 140-4885 |
| 6 Pack-Blade, 18.00 Recycler..... | 140-4886 |

Attachments and Accessories (continued)

| | |
|---|-----------|
| 2 Transmission Filter Kit | 144-3842 |
| Blade-18.00 High Flow | 147-6251 |
| 6 Pack-blade, 18.00 High Flow | 147-6255 |
| Soft Bag (3 Bushel)..... | 30104 |
| 10w30 4-Cycle Engine Oil (32oz Bottle)..... | 38280 |
| Toro 4-Cycle SAE 30 Oil (32oz Bottle) | 38903 |
| Twin Bagger Kit..... | 78524 |
| Blower Drive 52-in | 78526 |
| Pro Force Blower | 78593 |
| Grandstand Multi Force Broom..... | 78596 |
| Grandstand Multi Force Mulch Force..... | 78597 |
| 48-in Snowthrower, Multi-force | 78598 |
| Grandstand Multi Force High-Flow Kit | 78601 |
| Dethatcher, 46in Multi Force | 78690 |
| Dethatcher Mount | 78691 |
| Aerator, 38in Multi Force..... | 78694 |
| Aerator Mount, Multi Force | 78695 |
| Leaf Plow Without Mount..... | 78697 |
| Spark Arrestor | 98-9099 |
| Filter-Oil..... | 98020 |
| Kit-Grandstand, Filter, Winter | HYD14084 |
| Snow Deflector | MSC04587B |
| Straight Blade, ATV Plow Shoe Kit..... | MSC13040 |
| Blade Extension Kit,6in,stb | MSC13850B |
| Grandstand Side Plow Kit..... | MSC13960 |
| Kit-plow Side,4'0"stb,grandstand..... | MSC14780 |
| Blade Crate (Snowplow), ATV Poly S | STB13567B |
| Blade Crate (snowplow),4-0,atv Poly S..... | STB13759B |
| Urethane Edge Kit | STB13801 |
| Plug-Quick Connect..... | T56152150 |
| Cap-Connect, Quick | T56152152 |

Notes:

Notes:



Count on it.