



**Count on it.**

**Parts Catalog**

**eTurfmaster 30in 60V  
Lawn Mower**

Model No. 22232T—Serial No. 400000000 and Up



# Ordering Replacement Parts

To order replacement parts, please supply the part number, the quantity, and the description of each part desired.

## Understanding Reference Numbers

Each identified part in an illustration has a reference number. The reference number for a part also appears in the parts list, along with other information about the part.

This catalog uses two special reference number formats, one to indicate parts in a service assembly and another to indicate the quantity of a given part in an illustration.

## Service Assembly Reference Numbers

Parts in service assemblies have reference numbers in the form a:b. The a represents the reference number of the entire service assembly and the b represents a sequential number unique to each part within the service assembly.

For example, a wheel assembly might be identified by reference number 6, the tire by 6:1, the valve by 6:2, and the wheel by 6:3. When you order the assembly identified by reference number 6, you receive all parts identified by reference numbers 6:1, 6:2, and 6:3. However, you may also order any part individually. Reference numbers of this type appear in illustration and in parts lists.

## Reference Numbers Indicating Quantity

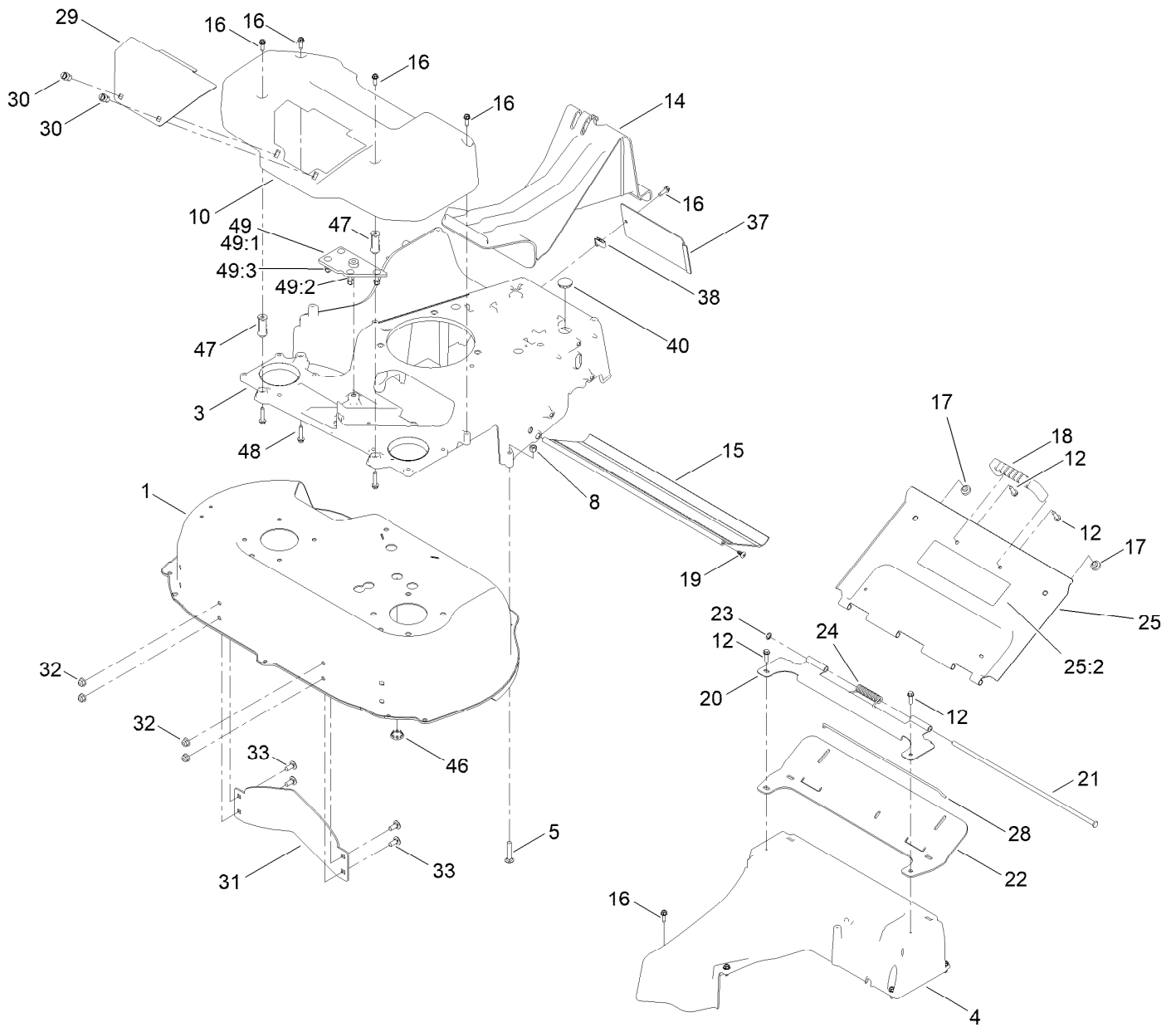
In an illustration, if a reference number indicates more than one part, the reference number has the form nX y. The n represents the quantity of the part, the X is the multiplication symbol, and the y represents the reference number.

For example, in an illustration, the reference number 2X 37 means that two of the parts identified by reference number 37 are indicated.

# Contents

Housing Assembly .....	4
Spindle and Blade Assembly .....	6
Side Discharge Chute Assembly .....	8
Grass Bag Assembly .....	10
Decal Assembly .....	12
Motor Module and Belt Assembly .....	14
Motor Module Assembly No. 147-0486 .....	16
Front Wheel and Height-of-Cut Assembly .....	18
Transmission and HOC Assembly .....	20
Handle Assembly .....	22
Attachments and Accessories .....	24

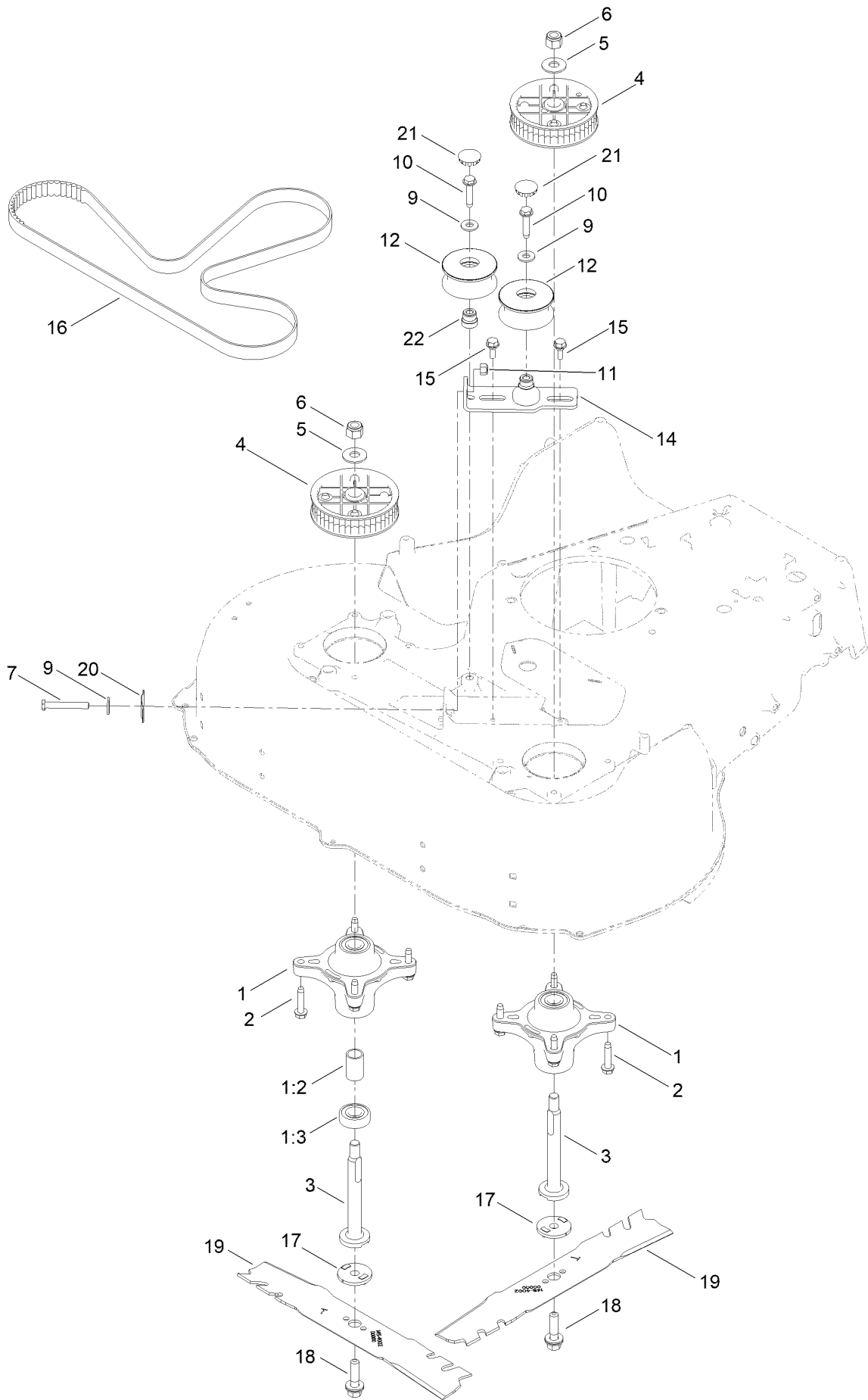
# Housing Assembly



## Housing Assembly (continued)

<i>Ref.</i>	<i>Part Number</i>	<i>Qty.</i>	<i>Description</i>	<i>Ref.</i>	<i>Part Number</i>	<i>Qty.</i>	<i>Description</i>
1	161-3117	1	Housing ASM	25	116-8355	1	Rear Door ASM
3	145-4047-01	1	Frame-30"	25:2	116-7583	1	Decal-Warning
4	133-8177	1	Chute	28	116-6966	1	Clip-Seal
5	3230-5	2	Bolt-CARR	29	145-5899-03	1	Panel-Access
8	3296-29	2	Nut-Lock, NI	30	121-5840	2	Fastener
10	145-5898	1	Cover-Belt	31	130-2352-01	1	Baffle-Control
12	46-8091	4	Screw-HWH	32	104-8300	4	Nut-HF, NI
14	120-5225	1	Plug-Mulch	33	3230-23	4	Bolt-CARR
15	121-5841	1	Shield-Trailing	37	138-5332-01	1	Cover-Frame
16	49-2040	10	Screw-HWHTF	38	107069	1	Clip
17	1-513658	2	Bumper	40	126-7151	1	Plug-Button
18	65-5100	1	Handle-Door	46	147-0471	1	Plug-Button
19	117-1092	2	Screw-PTH	47	140-3901	3	Spacer-Frame, 30 In.
20	116-6351-03	1	Bracket-Hinge	48	108-4862	3	Screw-HWH Thd Roll
21	116-6933	1	Pin-Hinge	49	161-3140	1	Frame-Plate Kit
22	116-6229	1	Seal-Door	49:1	161-3141	1	Plate-Frame, ASM
23	32151-72	1	Ring-Retaining	49:2	3229-3	4	Screw-CARR
24	116-7573	1	Spring-Torsion, Cover	49:3	3296-42	4	Nut-Lock, NI

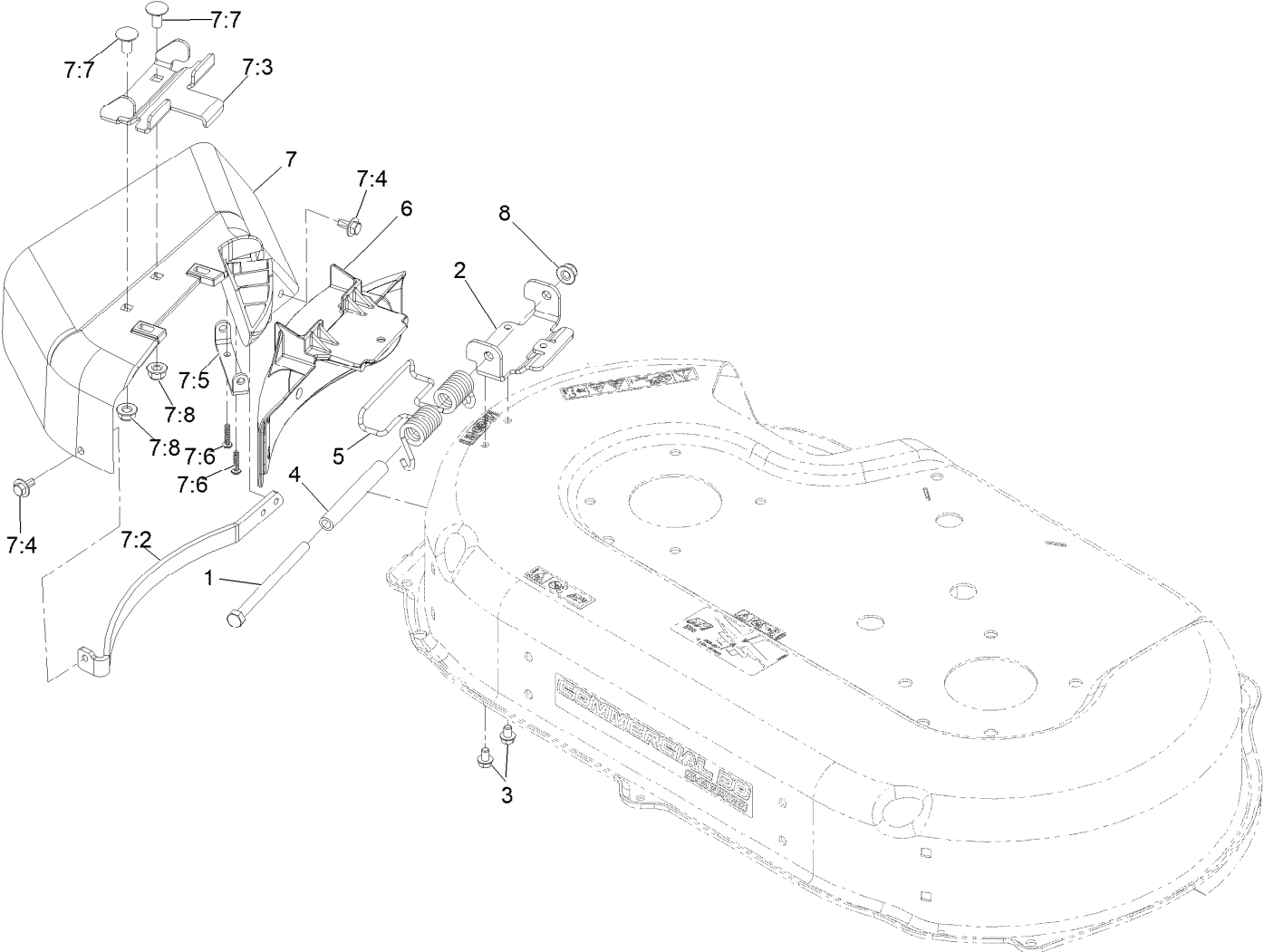
# Spindle and Blade Assembly



## Spindle and Blade Assembly (continued)

<i>Ref.</i>	<i>Part Number</i>	<i>Qty.</i>	<i>Description</i>	<i>Ref.</i>	<i>Part Number</i>	<i>Qty.</i>	<i>Description</i>
1	121-9107	2	Spindle ASM	12	126-5880	2	Pulley-Idler, Flat
1:2	120-7935	2	Spacer	12	126-7890	1	Pulleys And Idler Kit
1:3	138-9770	2	Bearing-Ball	14	147-0470	1	Bracket-Idler
2	139-1731	8	Screw-Thd Roll, HWH	15	120-7024	2	Screw-Shoulder, HWH
3	139-6612	2	Shaft-Spindle	16	145-4001	1	Belt-Synchronous
4	121-9100	2	Sprocket	17	120-5236	2	Adapter-Blade
5	109-9505	2	Washer-Spring	18	125-2466	2	Bolt-Blade
6	3296-19	2	Nut-Hex	19	145-4002-03	2	Blade-Rotary [black]
7	9114524	1	Bolt-TAP, HH	20	121-2336	1	Spring-Flat
9	3256-3	2	Washer-Flat	21	126-7151	2	Plug-Button
10	32144-57	2	Screw	22	131-4504	1	Adapter-Bore
11	3296-29	1	Nut-Lock, NI				

# Side Discharge Chute Assembly

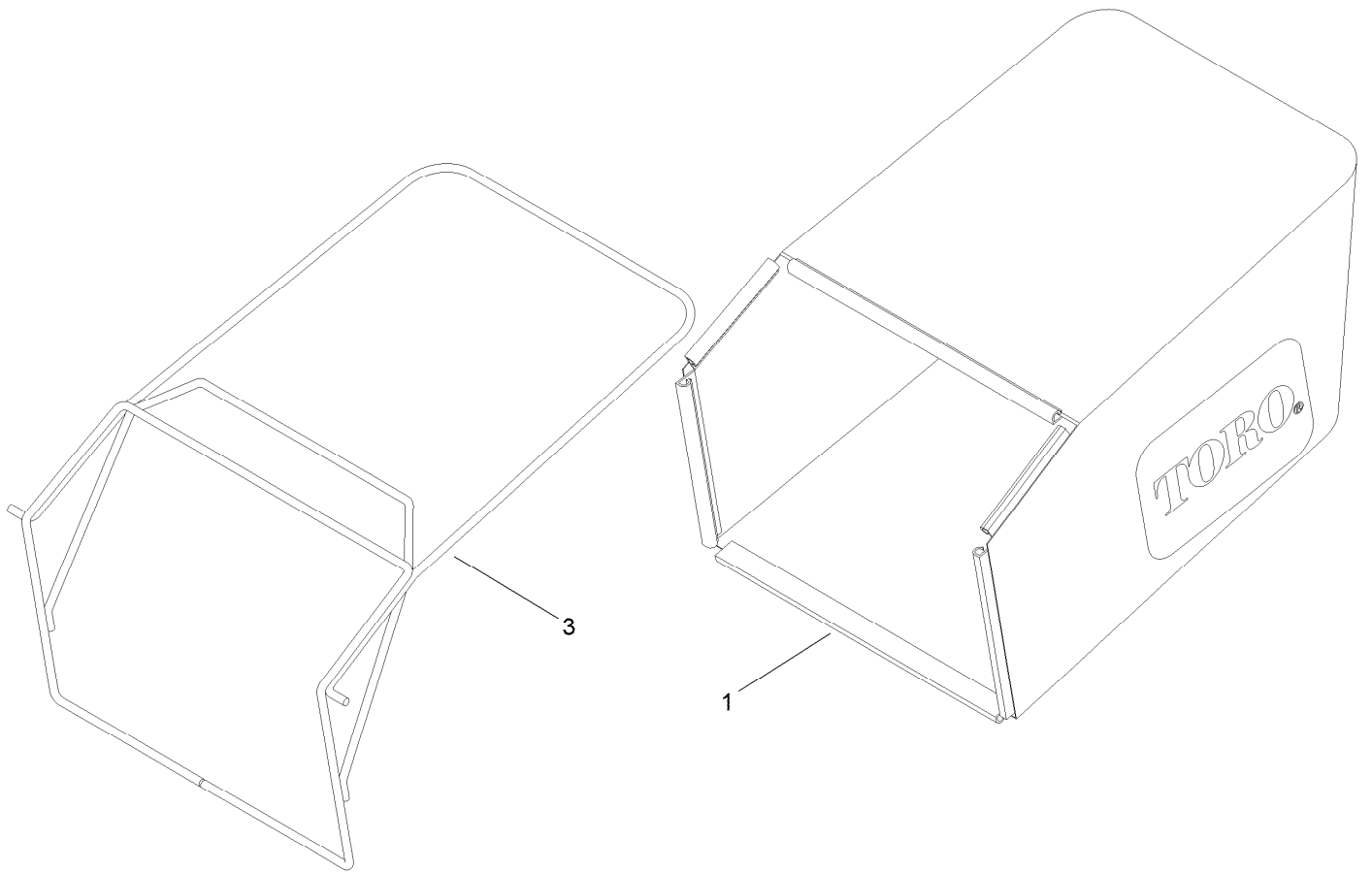




## Side Discharge Chute Assembly (continued)

<i>Ref.</i>	<i>Part Number</i>	<i>Qty.</i>	<i>Description</i>	<i>Ref.</i>	<i>Part Number</i>	<i>Qty.</i>	<i>Description</i>
1	322-38	1	Screw-HH	7:3	121-9196	1	Bracket-Chute
2	121-9195	1	Hinge	7:4	46-8560	2	Screw-HHFTF
3	137-4795	2	Screw	7:5	112-6416	1	Bracket-Cover
4	125-2478	1	Spacer	7:6	94-4496	2	Screw-PPH
5	121-9193	1	Spring-Torsion	7:7	3230-18	2	Screw-CARR
6	125-5093-01	1	Cover-Discharge	7:8	104-8300	2	Nut-HF, NI
7	116-9754	1	Side Discharge Chute ASM	8	104-8300	1	Nut-HF, NI
7:2	116-9752-03	1	Guard-Chute				

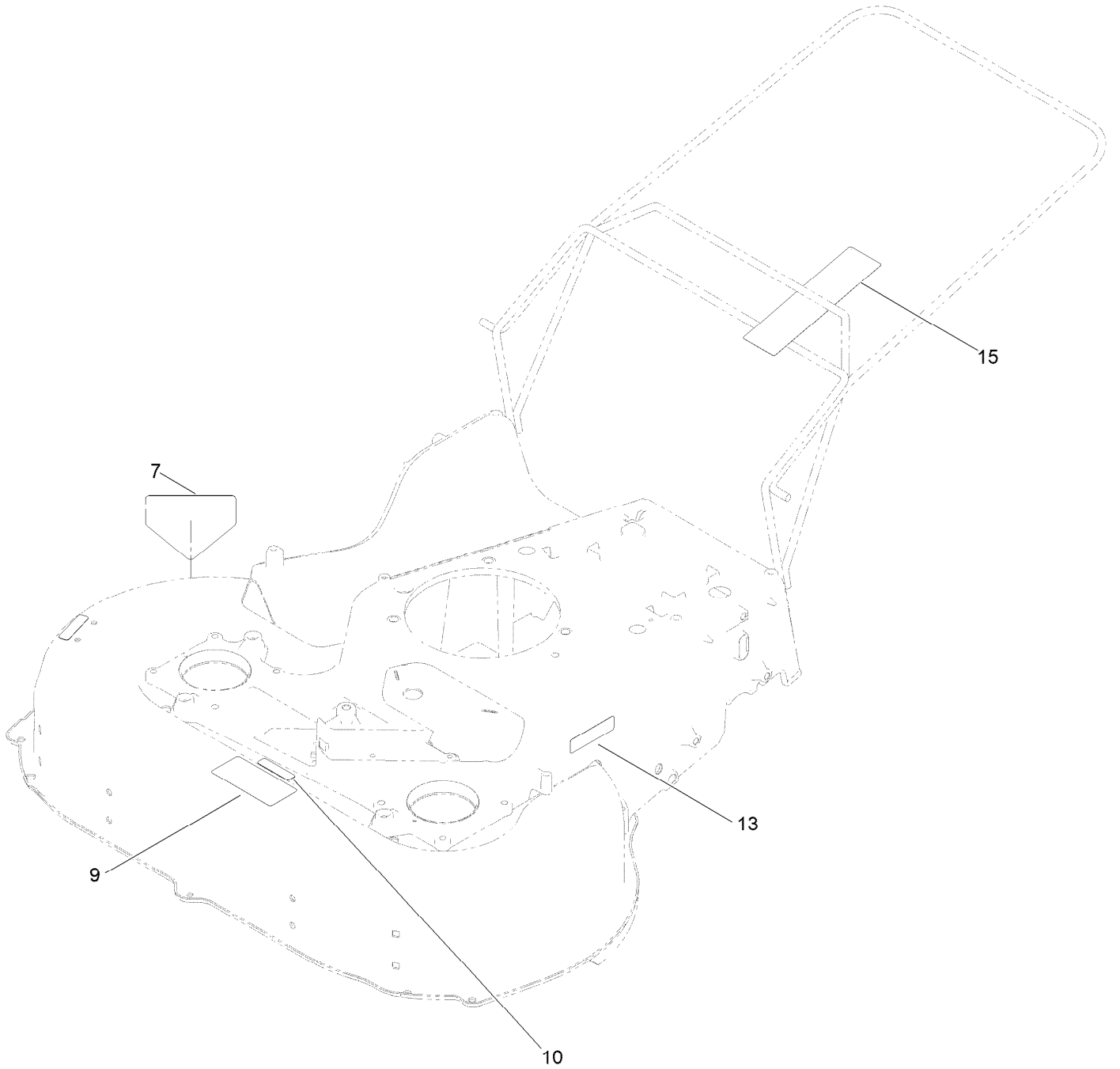
# Grass Bag Assembly



## Grass Bag Assembly (continued)

<i>Ref.</i>	<i>Part Number</i>	<i>Qty.</i>	<i>Description</i>
1	121-5775	1	Grass Bag ASM
3	116-5596-03	1	Frame-Bag

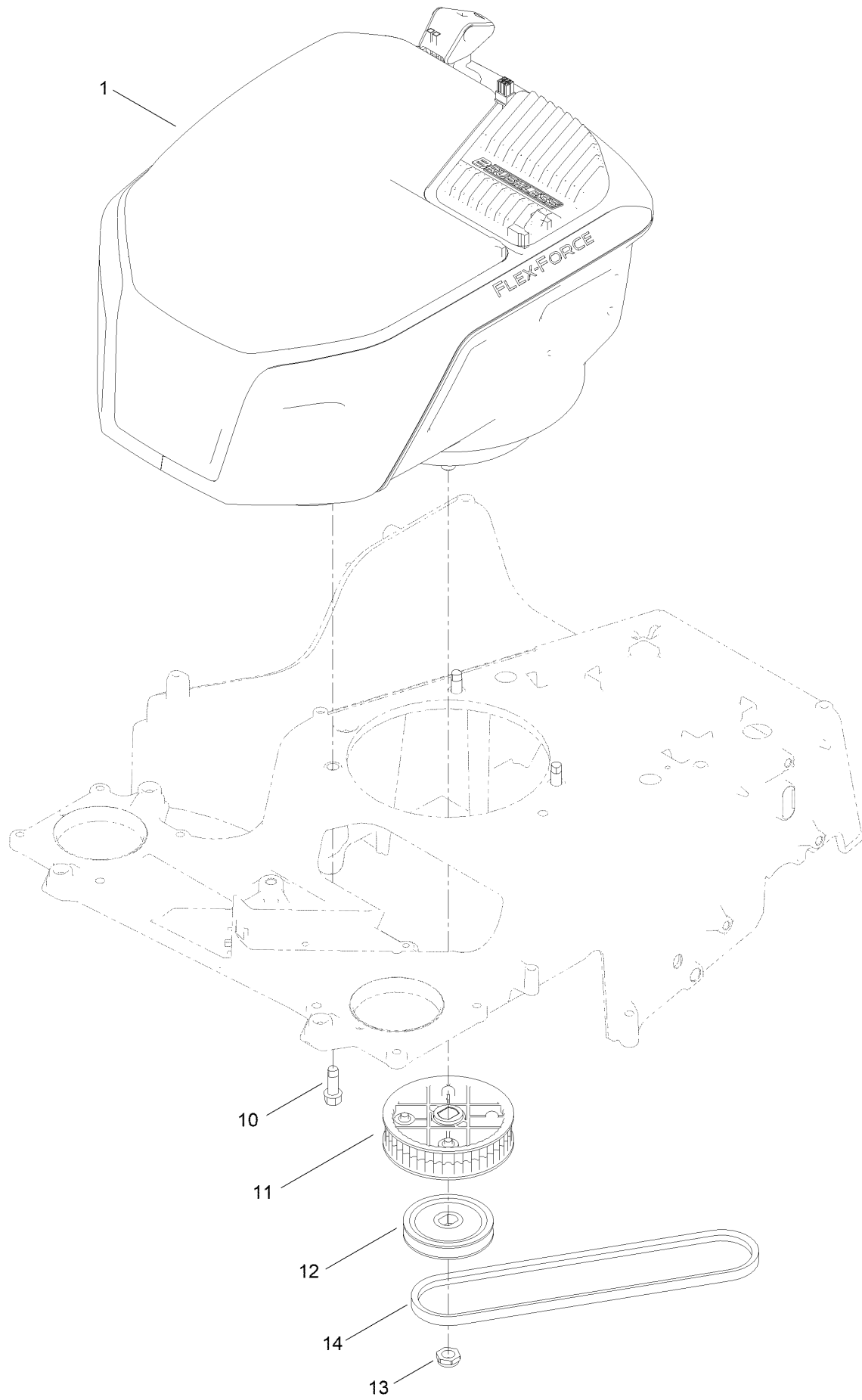
# Decal Assembly



## Decal Assembly (continued)

<i>Ref.</i>	<i>Part Number</i>	<i>Qty.</i>	<i>Description</i>	<i>Ref.</i>	<i>Part Number</i>	<i>Qty.</i>	<i>Description</i>
7	94-8072	1	Decal-Danger	13	133-8054	1	Decal-Prop 65, Short, Trilingual
9	116-8528	1	Decal	15	139-8986	1	Decal-Warning (Bag)
10	120-9570	2	Decal-Warning				

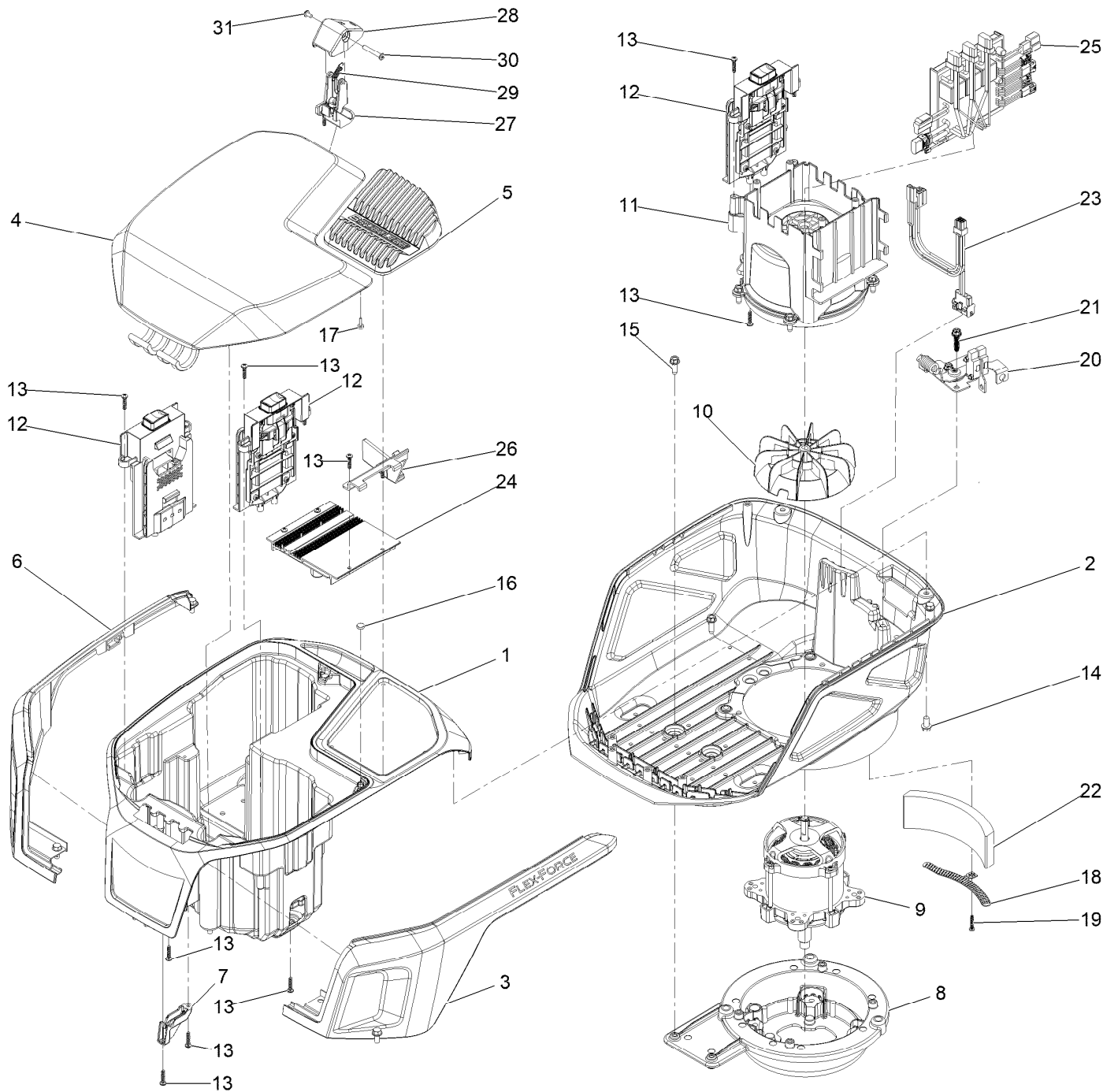
# Motor Module and Belt Assembly



## Motor Module and Belt Assembly (continued)

<i>Ref.</i>	<i>Part Number</i>	<i>Qty.</i>	<i>Description</i>	<i>Ref.</i>	<i>Part Number</i>	<i>Qty.</i>	<i>Description</i>
1	147-0486	1	Motor Module 60V	12	147-0472	1	Pulley-Traction
10	121-5844	3	Screw-Thd Form, HWH	13	3296-28	1	Nut-Lock, NI
11	121-9100	1	Sprocket	14	133-8151	1	Belt-V

# Motor Module Assembly No. 147-0486

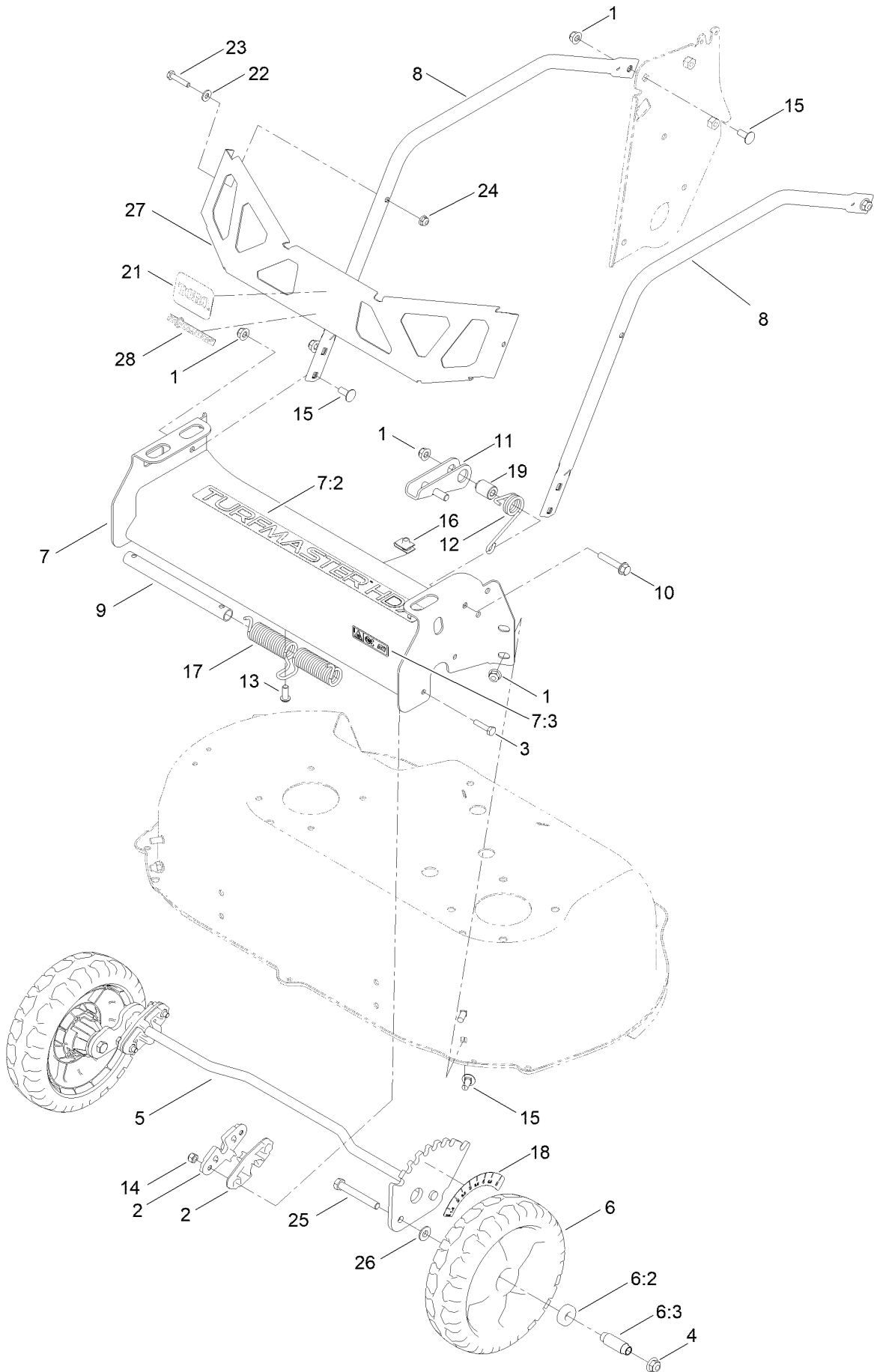




## Motor Module Assembly No. 147-0486 (continued)

<i>Ref.</i>	<i>Part Number</i>	<i>Qty.</i>	<i>Description</i>	<i>Ref.</i>	<i>Part Number</i>	<i>Qty.</i>	<i>Description</i>
1	145-5882	1	Bucket-Battery	17	95-4234	2	Screw-PPH
2	145-5883	1	Shroud-Lower	18	147-0449	1	Bracket-Foam
3	147-0406	1	Trim-Shroud, LH	19	138-3273	1	Screw-Plastic, PPH
4	145-5885	1	Lid-Motor	20	133-1918	1	Bail Switch ASM
5	145-5886	1	Heatsink-Controller	21	130-6658	2	Screw-Flange, Plastic
6	147-0407	1	Trim-Shroud, RH	22	145-3972	1	Foam
7	145-5892	2	Bracket-Support, Lid	23	139-6637	1	Harness-Wire
8	145-5895	1	Mount-Base, Motor	24	147-0451	1	Controller-Pmu
9	145-4048	1	Motor-60V	25	147-0452	1	Controller-Motor
10	145-5896	1	Fan-Motor	26	161-3110	1	Bracket-Pmu
11	145-5897	1	Shroud-Motor	27	147-8634	1	Lidlock-Base
12	147-0403	3	Receiver-Battery	28	147-8633	1	Lidlock-Lever
13	94-4496	21	Screw-PPH	29	161-3111	1	Spring
14	46-8093	8	Screw-Plastite	30	161-3112	1	Screw-Pin, Hinge
15	49-2040	6	Screw-HWHTF	31	161-3113	1	Screw-Pin
16	114-5896	2	Magnet				

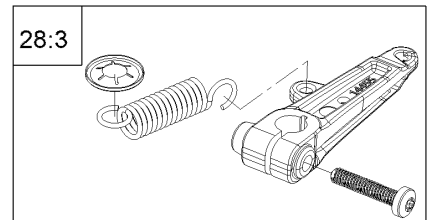
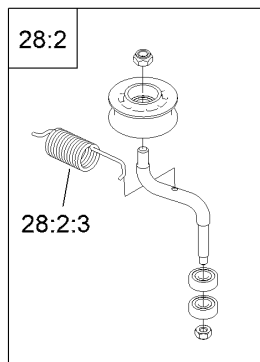
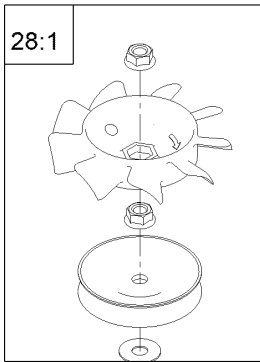
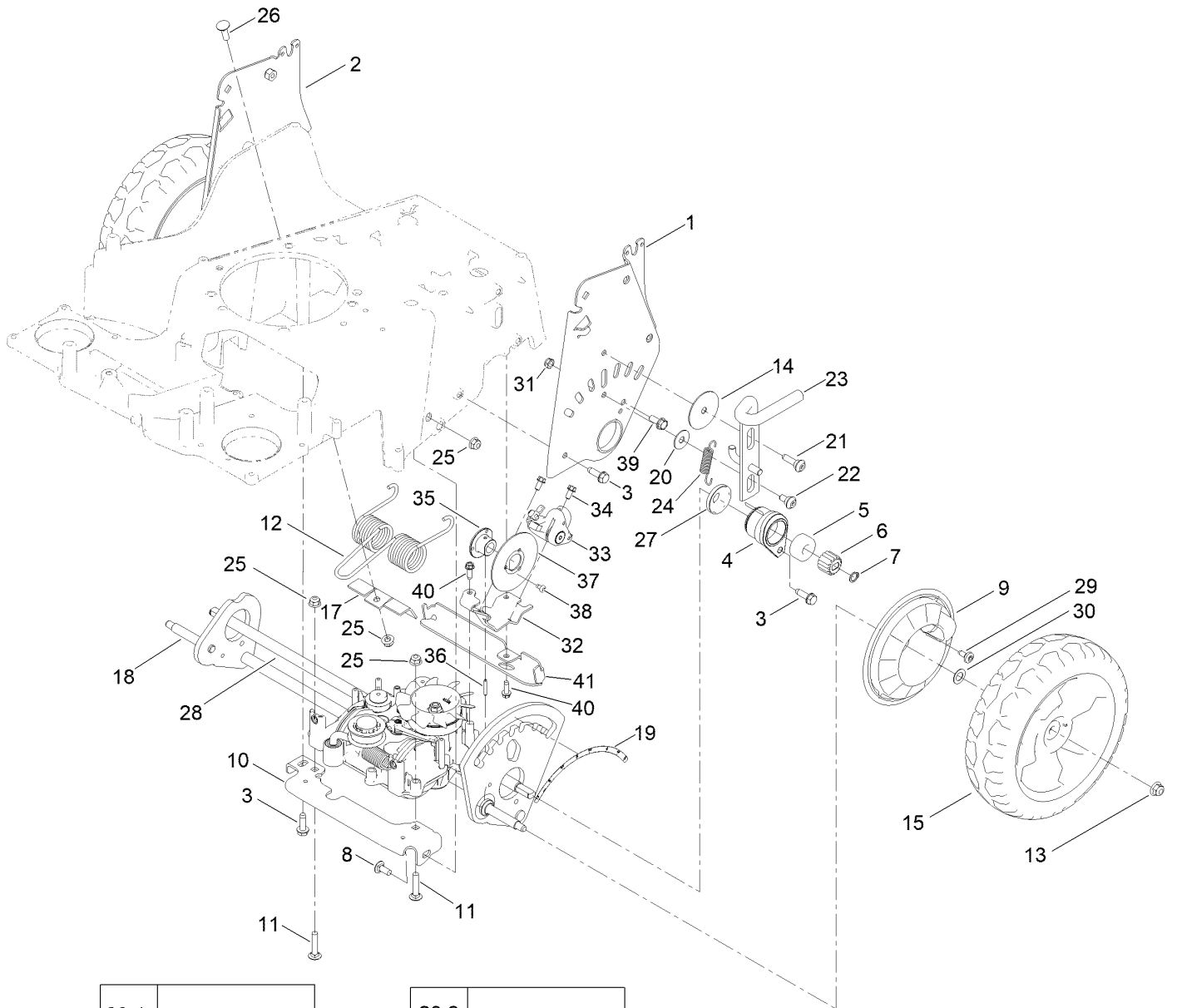
# Front Wheel and Height-of-Cut Assembly



## Front Wheel and Height-of-Cut Assembly (continued)

<i>Ref.</i>	<i>Part Number</i>	<i>Qty.</i>	<i>Description</i>	<i>Ref.</i>	<i>Part Number</i>	<i>Qty.</i>	<i>Description</i>
1	104-8300	11	Nut-HF, NI	13	3274-55	1	Screw-HSBH
2	121-5781	4	Bushing-Front	14	3296-42	4	Nut-Lock, NI
3	321-7	4	Screw-HH	15	3230-23	10	Bolt-CARR
4	104-8301	2	Nut-HF, NI	16	94-2413	1	Nut-U
5	139-8968	1	Front Axle ASM	17	121-2337	1	Spring-Torsion
6	133-2639	2	Wheel	18	136-9077	1	Decal-HOC, Front
6:2	133-2603	2	Bearing-Ball	19	125-2486	1	Spacer
6:3	125-1077	1	Spacer	21	147-4209	1	Decal-Toro, Silver (2.75 X 1.8)
7	139-6616	1	Front Bumper ASM	22	3256-22	2	Washer-Flat
7:2	139-1675	1	Decal-Turfmaster HDX	23	321-8	2	Screw-HH
7:3	116-7581	1	Decal-Warning	24	104-7201	2	Nut-HF, NI
8	121-9168-03	2	Brace	25	323-13	2	Screw-HH
9	131-9690	1	Mandrell-Spring	26	74-1671	2	Spacer-Cover, Wheel
10	94-5780	1	Screw-HWH	27	147-0473-03	1	Guard-Engine
11	139-1744	1	Lock-Height, Adj	28	161-3154	1	Decal-Revolution
12	120-9465	1	Spring-Torsion				

# Transmission and HOC Assembly

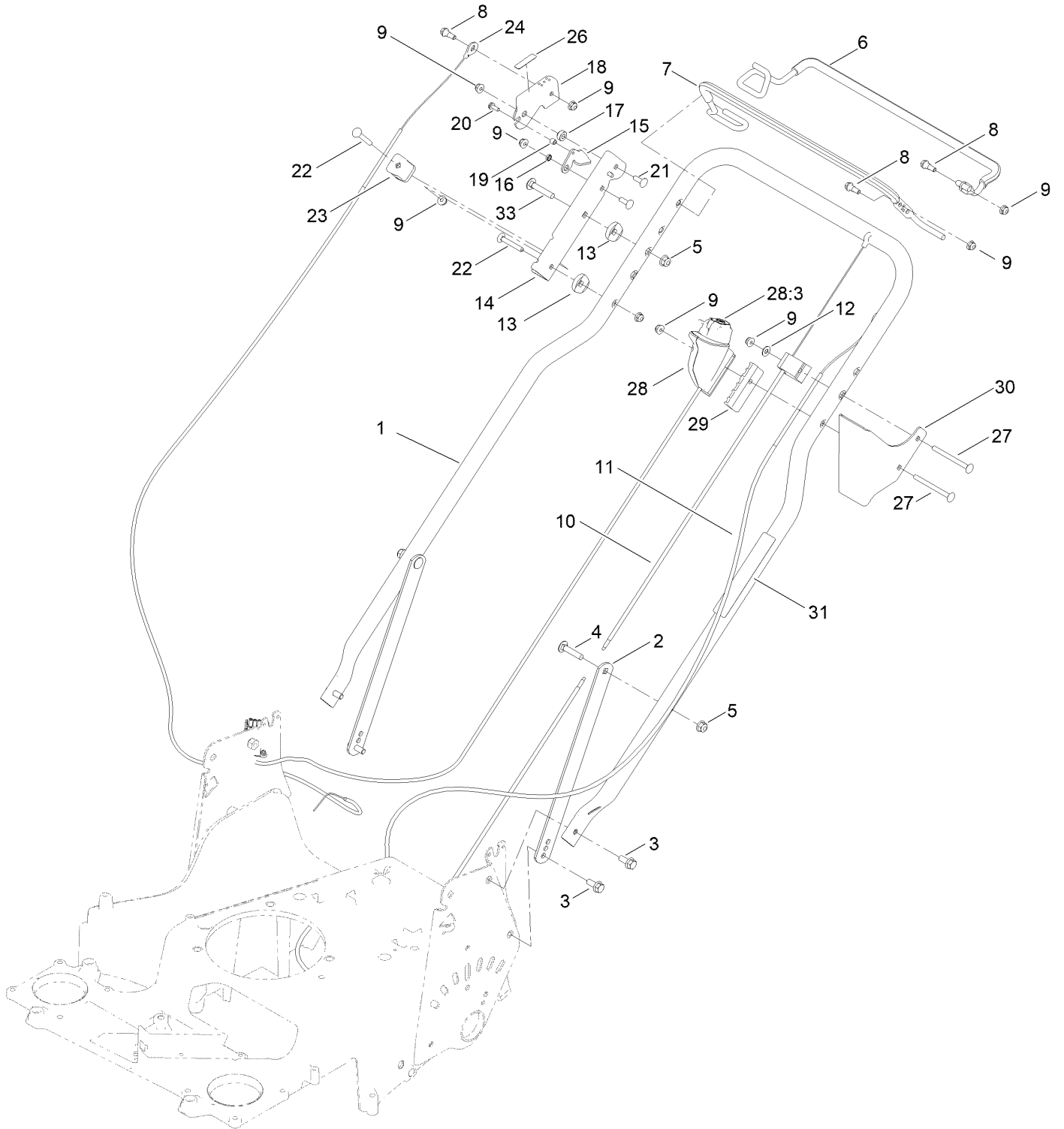


## Transmission and HOC Assembly (continued)

<i>Ref.</i>	<i>Part Number</i>	<i>Qty.</i>	<i>Description</i>	<i>Ref.</i>	<i>Part Number</i>	<i>Qty.</i>	<i>Description</i>
1	137-9172-03	1	HOC Plate Assembly	25	104-8300	4	Nut-HF, NI
2	137-9173-03	1	HOC Plate Assembly	26	3230-2	1	Bolt-CARR
3	701243	7	Screw-Thd Roll, HWH	27	137-9185	2	Cover-Bearing
4	137-9183	2	Bearing Retainer ASM	28	133-2670	1	Transmission-Mv702
5	137-4779	4	Bearing-Ball, Custom	28:1	139-1837	1	Pulley & Fan Repair Kit
6	136-9111	2	Gear-Pinion, 15T	28:2	139-1842	1	Idler Pulley Repair Kit
7	32151-61	2	Ring-Retaining	28:2:3	139-1845	1	Spring-Tension, Belt
8	3230-23	1	Bolt-CARR	28:3	139-8974	1	Clutch Lever Repair Kit
9	136-7095	2	Cover-Wheel	29	120-7950	2	Screw-Torx
10	133-8104-03	1	Bracket-Transmission, Front	30	36-4780	2	Washer-Plain
11	3230-4	2	Bolt-CARR	31	3296-47	1	Nut-Lock,NI
12	121-2368	1	Spring-Torsion	32	138-5394-03	1	Bracket-Mount, Brake
13	104-8301	2	Nut-HF, NI	33	138-5398	1	Caliper-Brake, Disc
14	125-2540	1	Washer-Plain	33:1	139-8999	2	Pad-Brake, Disc ●
15	137-9174	2	10.5 In. Wheel ASM	34	32144-4	2	Screw-HWH
17	121-2397	1	Bracket	35	139-8990	1	Hub-Rotor
18	139-8967	1	Rear Axle ASM	36	933156	1	Pin-Roll
19	116-7127	1	Decal-HOC, Rear	37	138-5396	1	Disc-Rotor
20	52-2860	1	Washer	38	139-8960	3	Screw-Torx PH Thd Roll
21	119-2267	1	Screw-Shoulder, BHTF	39	609471	1	Screw
22	120-9471	1	Bolt-Shoulder	40	49-2040	2	Screw-HWHTF
23	139-1737	1	Lock-Height, Adj	41	140-1262-01	1	Bracket-Support, Cable
24	138-5393	1	Spring-Extension				

● Not illustrated

# Handle Assembly



## Handle Assembly (continued)

<i>Ref.</i>	<i>Part Number</i>	<i>Qty.</i>	<i>Description</i>	<i>Ref.</i>	<i>Part Number</i>	<i>Qty.</i>	<i>Description</i>
1	147-0540-03	1	Handle	17	139-1817	1	Washer-Stepped
2	116-8208-03	2	Support-Handle	18	139-1819	1	Lever-Brake
3	116-7230	4	Screw-HHF	19	117-9965	1	Spacer
4	3230-4	2	Bolt-CARR	20	32144-1	1	Screw-Taptite
5	104-8300	3	Nut-HF, NI	21	1-807512	2	Bolt-CARR
6	139-1815	1	Bail-Traction, Coated	22	3229-5	2	Screw-CARR
7	137-4810	1	Bail-BBC, Coated	23	106-6801	1	Anchor-Cable
8	42-3560	3	Bolt-Shoulder	24	138-5399	1	Cable-Brake, Parking
9	104-7201	9	Nut-HF, NI	26	139-5405	1	Decal-Brake, Parking
10	147-0488	1	Cable-Brake	27	144-6387	2	Screw-CARR,Spcl
11	147-0489	1	Cable-Traction	28	145-4008	1	Switch-Starter ASM
12	3256-1	1	Washer-Flat	28:3	147-0576	1	Starter Button Service ASM
13	106-7260	2	Washer-Curved	29	140-4148	1	Spacer-Housing, Switch
14	139-1818-03	1	Mount-Lever, Brake	30	147-0487-03	1	Guard-Switch [black]
15	139-1813	1	Link-Actuation, Brake	31	144-3175	1	Decal-Controls (60V Start)
16	138-5368	1	Spacer	33	3230-5	1	Bolt-CARR

# Attachments and Accessories

## For 22232T eTurfmaster 30in 60V Lawn Mower

<b>Product Name</b>	<b>Model/Part</b>
Atomic Blade 15.4in.....	120-9500-03
Mulching Kit.....	125-5064
Idler Pulley Kit.....	126-7890
60V LI-ION Battery 10.0 AH .....	66810
60V LI-ION Battery 6.0 AH.....	88660
60V LI-ION Battery 7.5 AH.....	88675
60V Rapid Battery Charger 5.4 AMP .....	88605



**Notes:**

**Notes:**

**Notes:**



**Count on it.**