



**Count on it.**

**Parts Catalog**

**Workman® GTX  
EFI Utility Vehicle**

Model No. 07059LT—Serial No. 412900000 and Up



# Ordering Replacement Parts

To order replacement parts, please supply the part number, the quantity, and the description of each part desired.

## Understanding Reference Numbers

Each identified part in an illustration has a reference number. The reference number for a part also appears in the parts list, along with other information about the part.

This catalog uses two special reference number formats, one to indicate parts in a service assembly and another to indicate the quantity of a given part in an illustration.

## Service Assembly Reference Numbers

Parts in service assemblies have reference numbers in the form a:b. The a represents the reference number of the entire service assembly and the b represents a sequential number unique to each part within the service assembly.

For example, a wheel assembly might be identified by reference number 6, the tire by 6:1, the valve by 6:2, and the wheel by 6:3. When you order the assembly identified by reference number 6, you receive all parts identified by reference numbers 6:1, 6:2, and 6:3. However, you may also order any part individually. Reference numbers of this type appear in illustration and in parts lists.

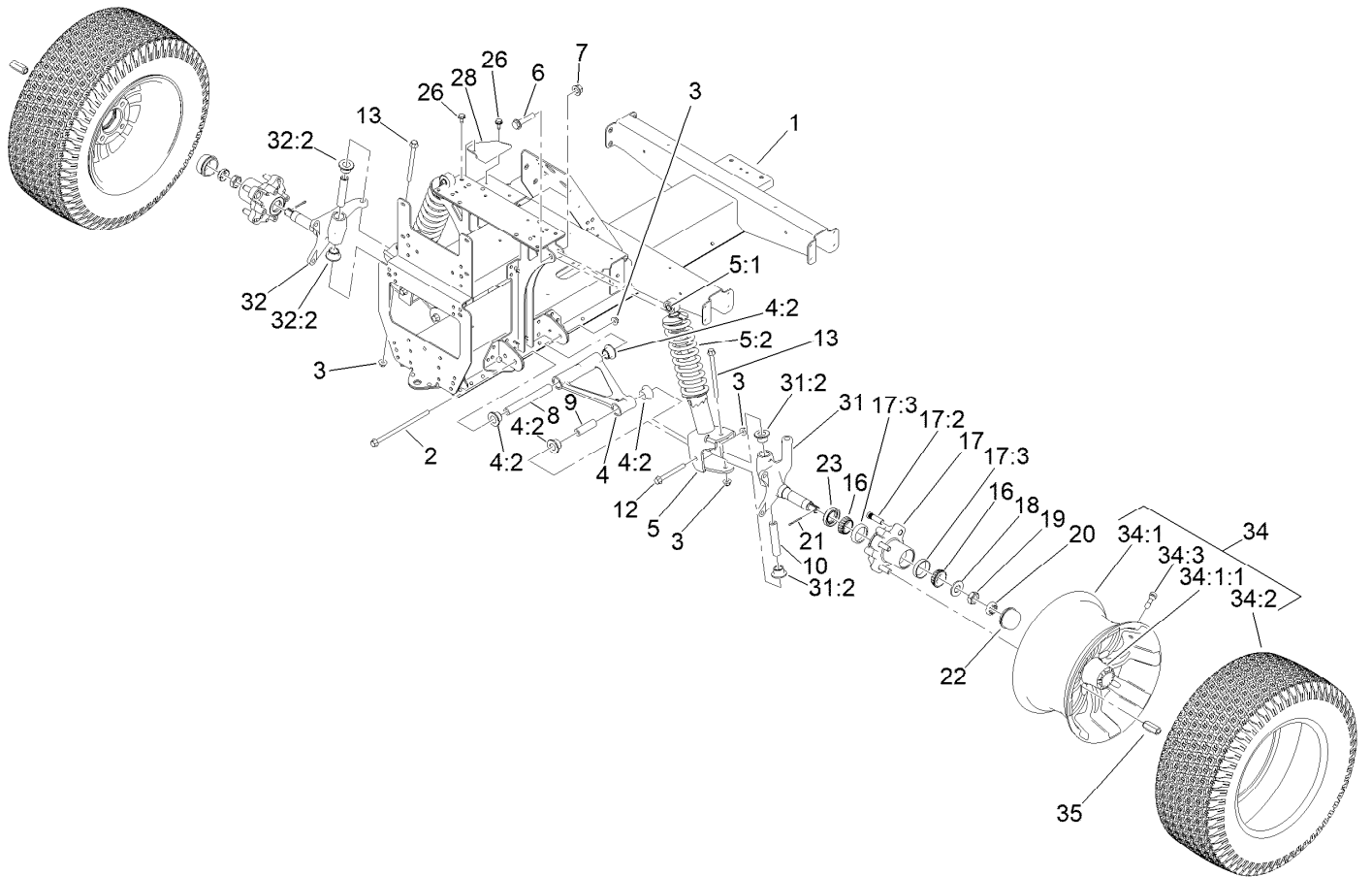
## Reference Numbers Indicating Quantity

In an illustration, if a reference number indicates more than one part, the reference number has the form nX y. The n represents the quantity of the part, the X is the multiplication symbol, and the y represents the reference number.

For example, in an illustration, the reference number 2X 37 means that two of the parts identified by reference number 37 are indicated.

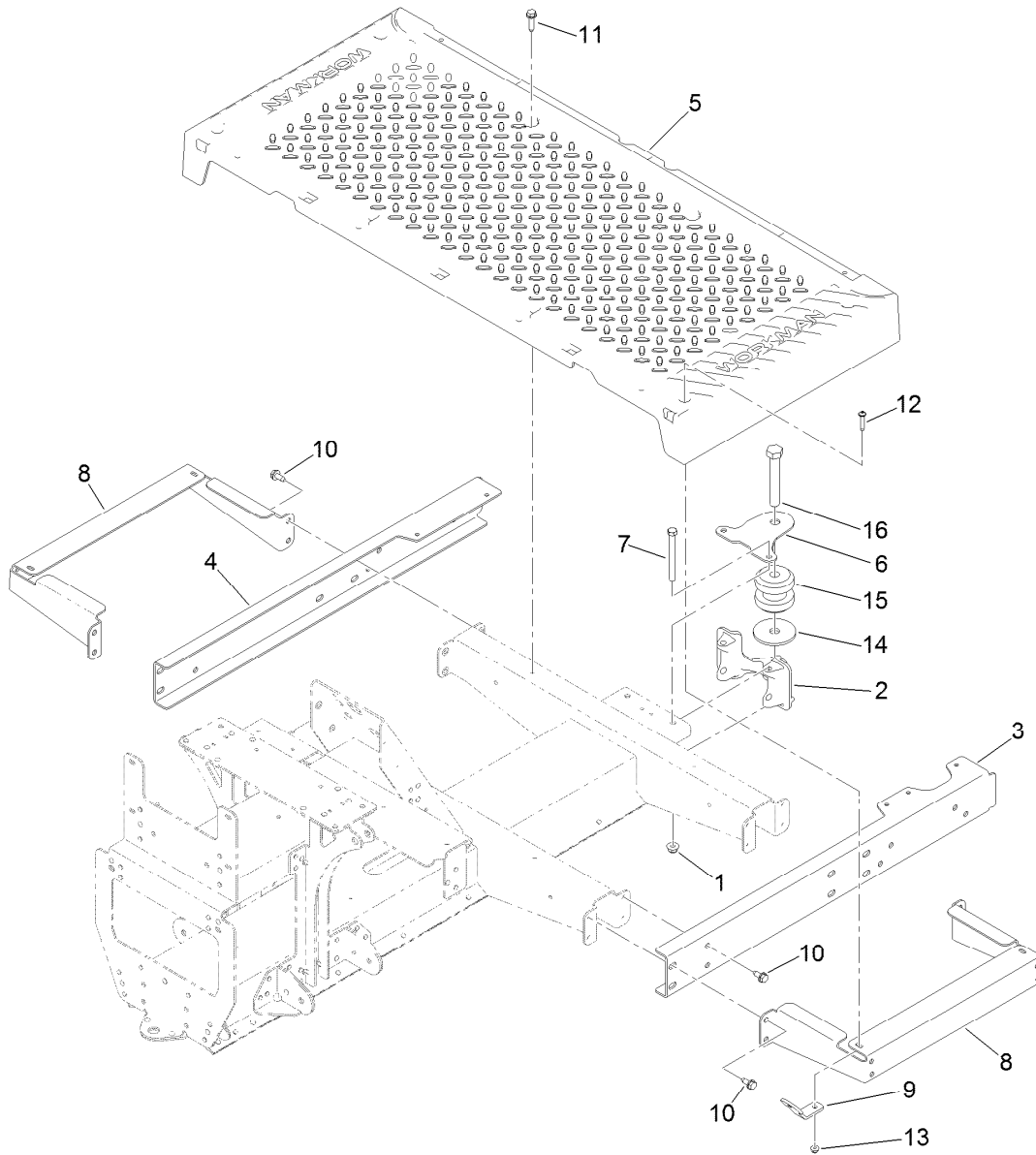
# Contents

Front Frame and Suspension Assembly . . . . .	4
Floor Plate and Rear Suspension Mount Assembly . . . . .	5
Rear Frame and Suspension Assembly . . . . .	6
Frame Mount and Rear Shock/Spring Assembly . . . . .	7
Brake Assembly . . . . .	8
Master Cylinder Assembly No. 104-6782 . . . . .	9
Brake Caliper Assembly No. 140-2575 . . . . .	10
Steering Assembly . . . . .	11
Pedal and Control Assembly . . . . .	12
Hood and Fender Assembly . . . . .	14
Dash Assembly . . . . .	15
Seatbase Assembly . . . . .	16
Cargo Bed Assembly . . . . .	17
Engine Assembly . . . . .	18
Engine Assembly No. 145-2280 . . . . .	20
Engine Assembly No. 145-2280 . . . . .	23
Starter Generator Assembly No. 131-8444 . . . . .	25
Secondary Clutch Assembly No. 119-6011 . . . . .	26
Air Cleaner Assembly No. 138-3447 . . . . .	27
Primary Clutch Assembly No. 138-0095 . . . . .	28
Rear Wheel and Transaxle Assembly . . . . .	29
Transaxle Assembly No. 131-3486 . . . . .	30
Battery and Cable Assembly . . . . .	32
Electrical Assembly . . . . .	33
Fuel System Assembly . . . . .	35
Attachments and Accessories . . . . .	37



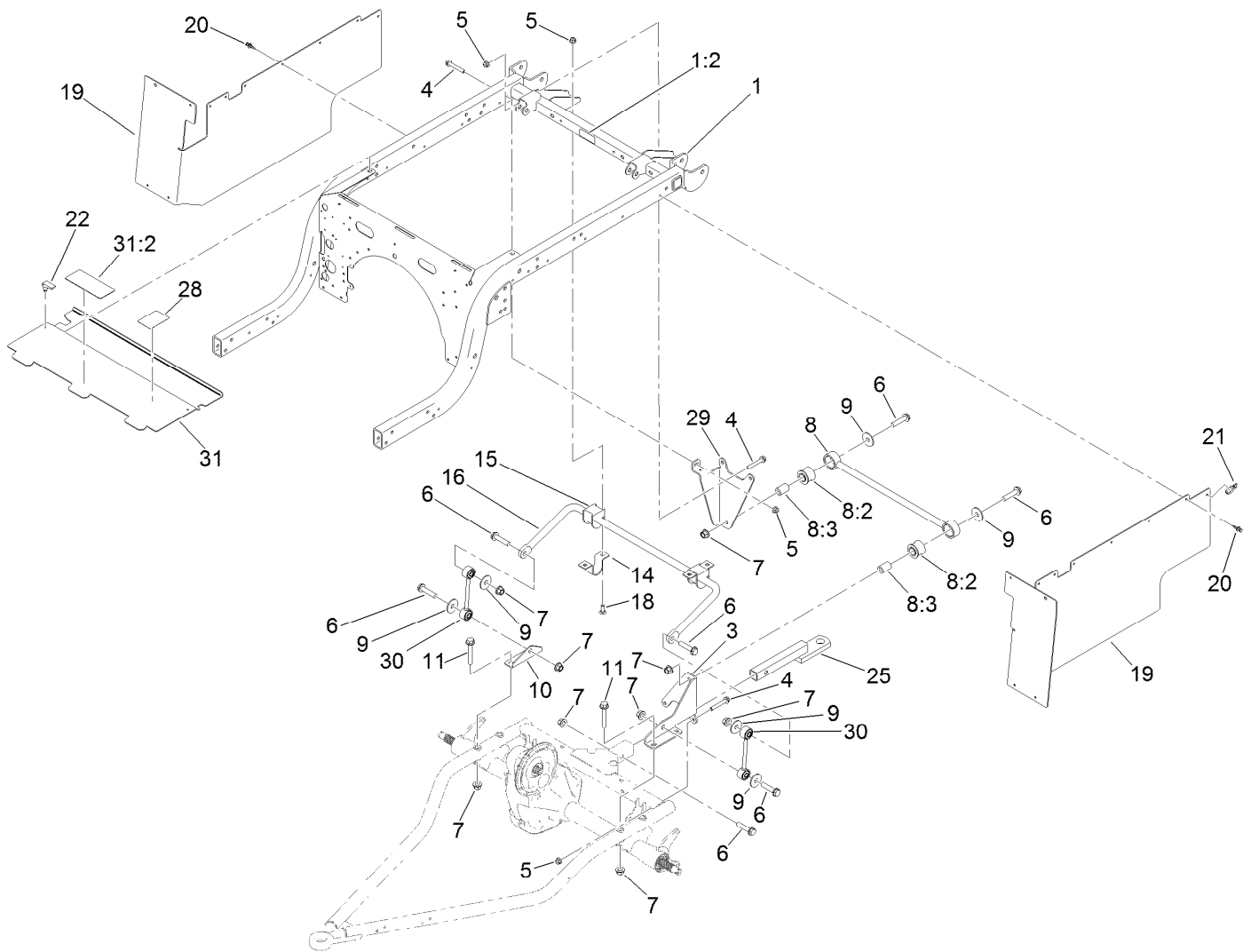
## Front Frame and Suspension Assembly

Ref.	Part Number	Qty.	Description	Ref.	Part Number	Qty.	Description
1	147-8209-03	1	Front Frame ASM	17:3	254-72	2	Bearing-Cup, Tapered
2	139-3360	2	Screw-HF	18	93-0309	2	Washer-Tab
3	139-3380	6	Nut-HF	19	3220-7	2	Nut-Jam
4	144-2161	2	Control Arm ASM	20	93-0307	2	Nut-Lock, Retainer
4:2	140-4615	4	Bushing-Flange	21	3272-12	2	Pin-Cotter
5	139-4484	2	Strut ASM, 250 Lb (16.33" EXT Length)	22	241-119	2	Cap-Dust
5:1	131-8574	1	Isolator-Shock	23	112-1690	2	Seal-Oil
5:2	137-6719	1	Spring-Compression, 250Lb	26	32144-70	2	Screw-HWHTF
6	3234-46	2	Screw-HHF	28	131-8339-03	1	Reinforcement-Tower
7	99-5107	2	Nut-Lock	31	147-2830	1	Spindle ASM, LH
8	131-8581	2	Sleeve-Control Arm, Inner	31:2	140-4615	2	Bushing-Flange
9	131-8583	2	Sleeve-Control Arm, Outer	32	147-2840	1	Spindle ASM, RH
10	131-8582	2	Sleeve-Kingpin	32:2	140-4615	2	Bushing-Flange
12	139-3370	2	Screw-HF	34	147-2763	2	Al Wheel And Tire ASM
13	139-3350	2	Screw-HF	34:1	147-2764	1	Wheel-Aluminum
16	254-94	4	Bearing-Cone, Tapered	34:1:1	147-2839	1	Cap-Aluminum Wheel
17	127-8851	2	Front Hub ASM	34:2	120-3271	1	Tire
17:2	10-6830	4	Stud-Type, Drive	34:3	232-27	1	Stem-Valve
				35	139-3603	8	Nut-Lug



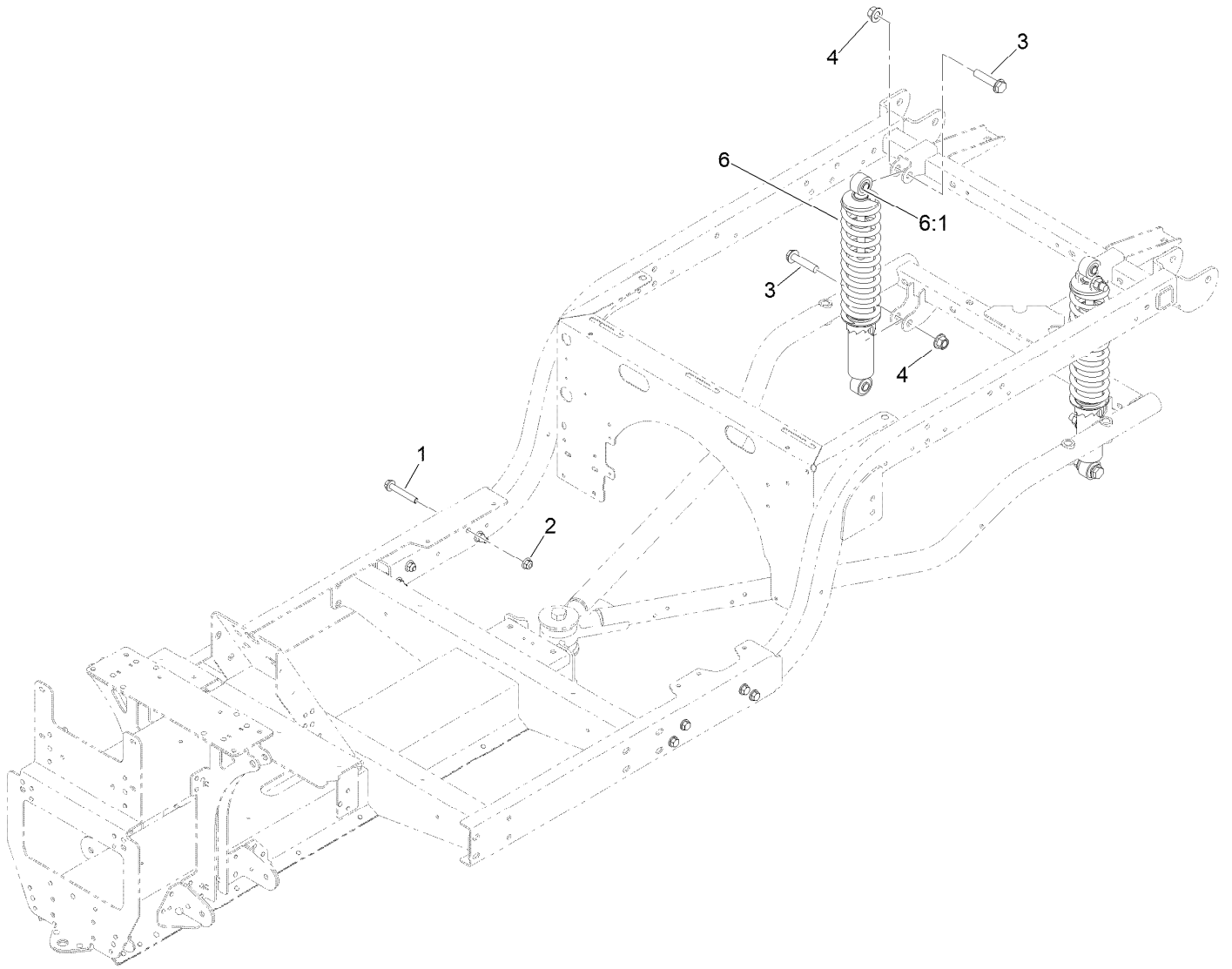
## Floor Plate and Rear Suspension Mount Assembly

<i>Ref.</i>	<i>Part Number</i>	<i>Qty.</i>	<i>Description</i>	<i>Ref.</i>	<i>Part Number</i>	<i>Qty.</i>	<i>Description</i>
1	104-8301	2	Nut-HF, NI	9	127-7832	2	Bracket-Angle
2	131-8466	1	Mount-Suspension, Rear	10	32144-70	16	Screw-HWHTF
3	127-7820-03	1	Channel-Frame, Front (LH)	11	32144-49	4	Screw-HWHTF
4	127-7821-03	1	Channel-Frame, Front (RH)	12	132-6777	4	Screw-Twh Thd Roll
5	127-7829	1	Plate-Floor	13	104-7201	4	Nut-HF, NI
6	131-8597	1	Plate-Gimbal, Upper	14	110-4549	1	Washer-Snubbing
7	323-42	2	Screw-HH	15	131-8480	1	Isolator
8	127-7837-03	2	Bracket-Support, Floor Plate	16	104-5877	1	Screw-HH



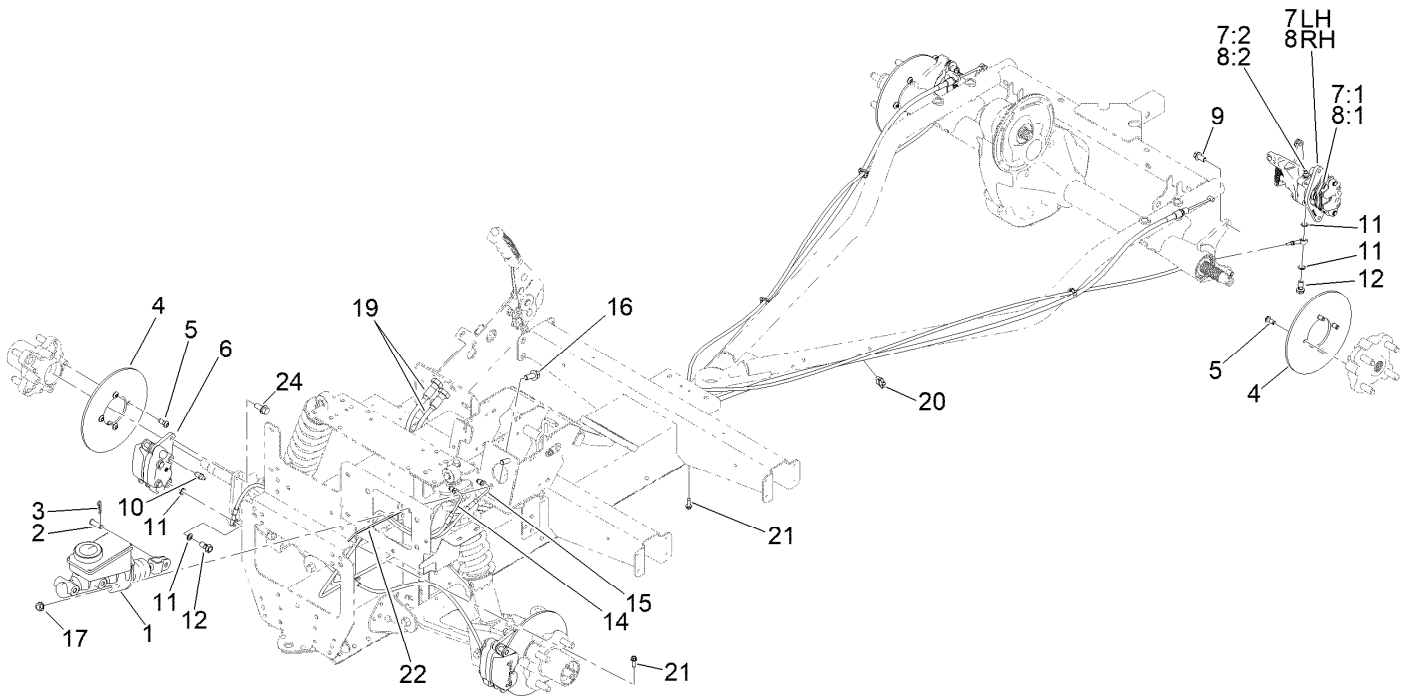
## Rear Frame and Suspension Assembly

<i>Ref.</i>	<i>Part Number</i>	<i>Qty.</i>	<i>Description</i>	<i>Ref.</i>	<i>Part Number</i>	<i>Qty.</i>	<i>Description</i>
1	140-2498	1	Rear Frame ASM	15	87-3910	2	Bushing-Rubber
1:2	115-2047	1	Decal-Surface, Hot	16	131-8310-03	1	Bar-Sway, Anti
3	127-7411-03	1	Bracket-Bar, Stabilizer	18	3231-22	4	Screw-CARR
4	3234-39	5	Screw-HHF	19	131-8346	2	Panel-Side
5	104-8301	9	Nut-HF, NI	20	125-9622	20	Rivet-Blind
6	3234-46	7	Screw-HHF	21	3290-378	2	Tie-Cable
7	99-5107	11	Nut-Lock	22	74-5950	2	Latch-Swell
8	109-5013	1	Panhard Rod ASM	25	137-6741	1	Ball Mount ASM
8:2	109-5009	2	Bushing-Suspension, Rubber	28	145-8005	1	Decal-Gtx EFI
8:3	109-5010	2	Spacer	29	139-4648-03	1	Bracket-Stabilizer Bar [black]
9	86-1990	6	Washer-Thrust	30	139-4606	2	Link ASM-Sway Bar
10	131-8315	1	Bracket-Link, Sway Bar	31	140-4573	1	Extended Panel-Cover
11	3234-40	4	Screw-HF	31:2	99-7345	1	Decal-Warning
14	139-4644	2	Clamp, Anti-Sway Bar				



## Frame Mount and Rear Shock/Spring Assembly

<i>Ref.</i>	<i>Part Number</i>	<i>Qty.</i>	<i>Description</i>
1	3234-39	8	Screw-HHF
2	104-8301	8	Nut-HF, NI
3	3234-46	4	Screw-HHF
4	99-5107	4	Nut-Lock
6	139-4608	2	Shock/Spring ASM
6:1	131-8574	2	Isolator-Shock



## Brake Assembly

Ref.	Part Number	Qty.	Description	Ref.	Part Number	Qty.	Description
1	104-6782	1	Master Cylinder ASM	8:3	136-6328	2	Spring-Rattle, Anti ●
2	283-2	1	Pin-Clevis	9	144-5550	4	Screw-Spl
3	1-806003	1	Pin-Cotter	10	119-9509	2	Screw-Bleed
4	139-4474	4	Rotor-Brake	11	115-2341	8	Washer-Banjo
5	121-9671	16	Screw-HSBH	12	120-4875	4	Bolt-Flange, Banjo
6	140-2575	2	Brake Caliper ASM	14	127-7781	1	Brake Line-Front
7	140-2585	1	Brake Caliper ASM, LH	15	127-7782	1	Brake Line-Rear
7:1	140-2595	1	Brake Pad Service Kit (Rear, Qty 4)	16	3234-11	2	Screw-HHF
7:2	119-9509	1	Screw-Bleed	17	3290-357	2	Nut-HSF
7:3	136-6328	2	Spring-Rattle, Anti ●	19	131-8406	2	Cable-Park Brake
8	140-2590	1	Brake Caliper ASM, RH	20	32180-030	4	Clip-Tie
8:1	140-2595	1	Brake Pad Service Kit (Rear, Qty 4)	21	49-2040	2	Screw-HWHTF
8:2	119-9509	1	Screw-Bleed	22	3290-378	1	Tie-Cable
				24	3234-25	4	Screw-HHF

● Not illustrated





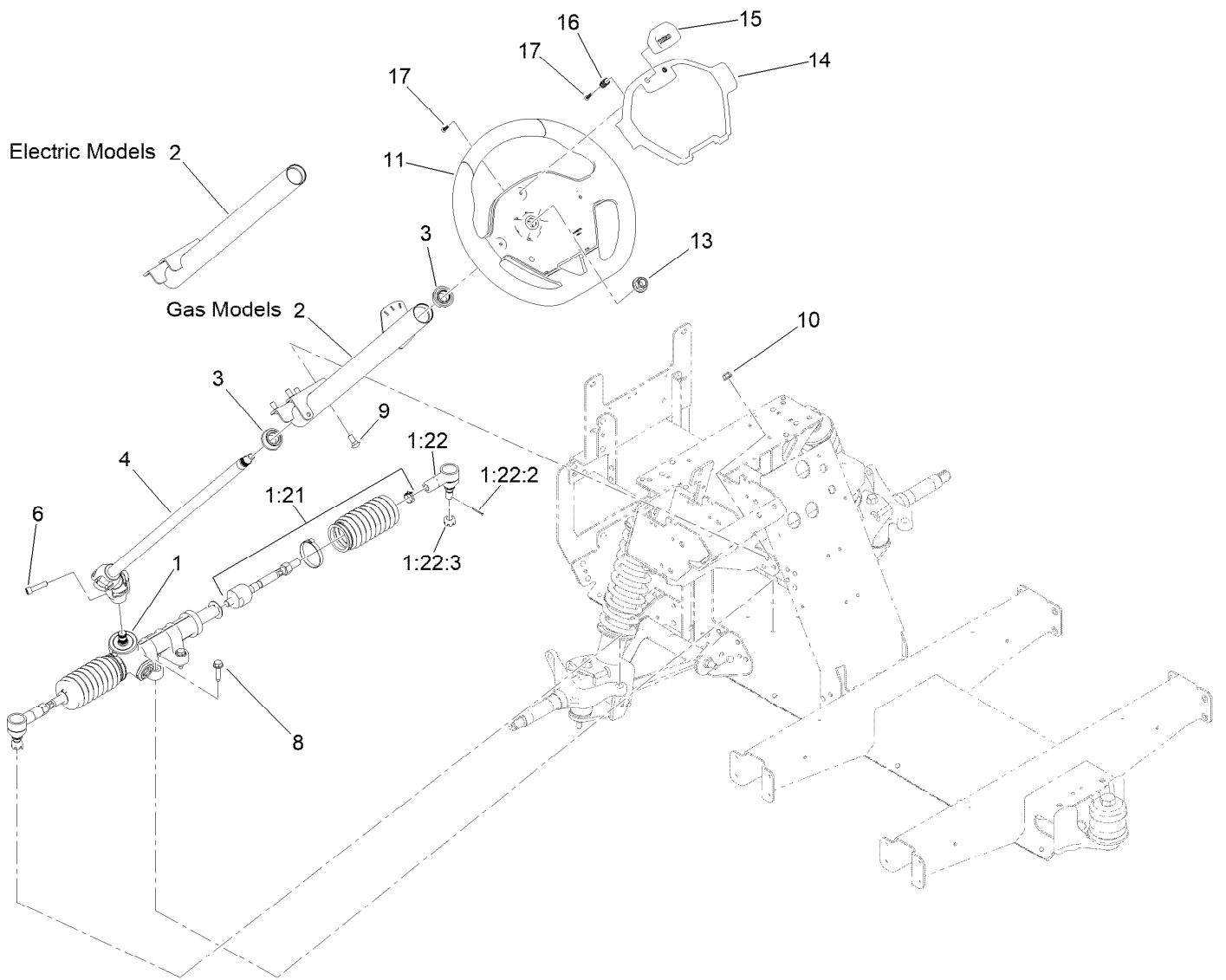
## Master Cylinder Assembly No. 104-6782

<i>Ref.</i>	<i>Part Number</i>	<i>Qty.</i>	<i>Description</i>
1	104-6845	1	Reservoir ASM
1:1	92-4112	1	Cap ASM
2	93-8971	2	Seal-Port, Flange
3	92-4103	1	Pin-Stop
4	92-4102	1	Secondary Piston ASM
5	92-4110	1	Clevis
6	21-0360	1	Nut-Hex
7	94-5209	1	Cover-Dust
8	94-5210	1	Rod-Push
9	92-4109	1	Ring-Snap
10	92-4108	1	Retainer-Washer
11	92-4101	1	Primary Piston ASM



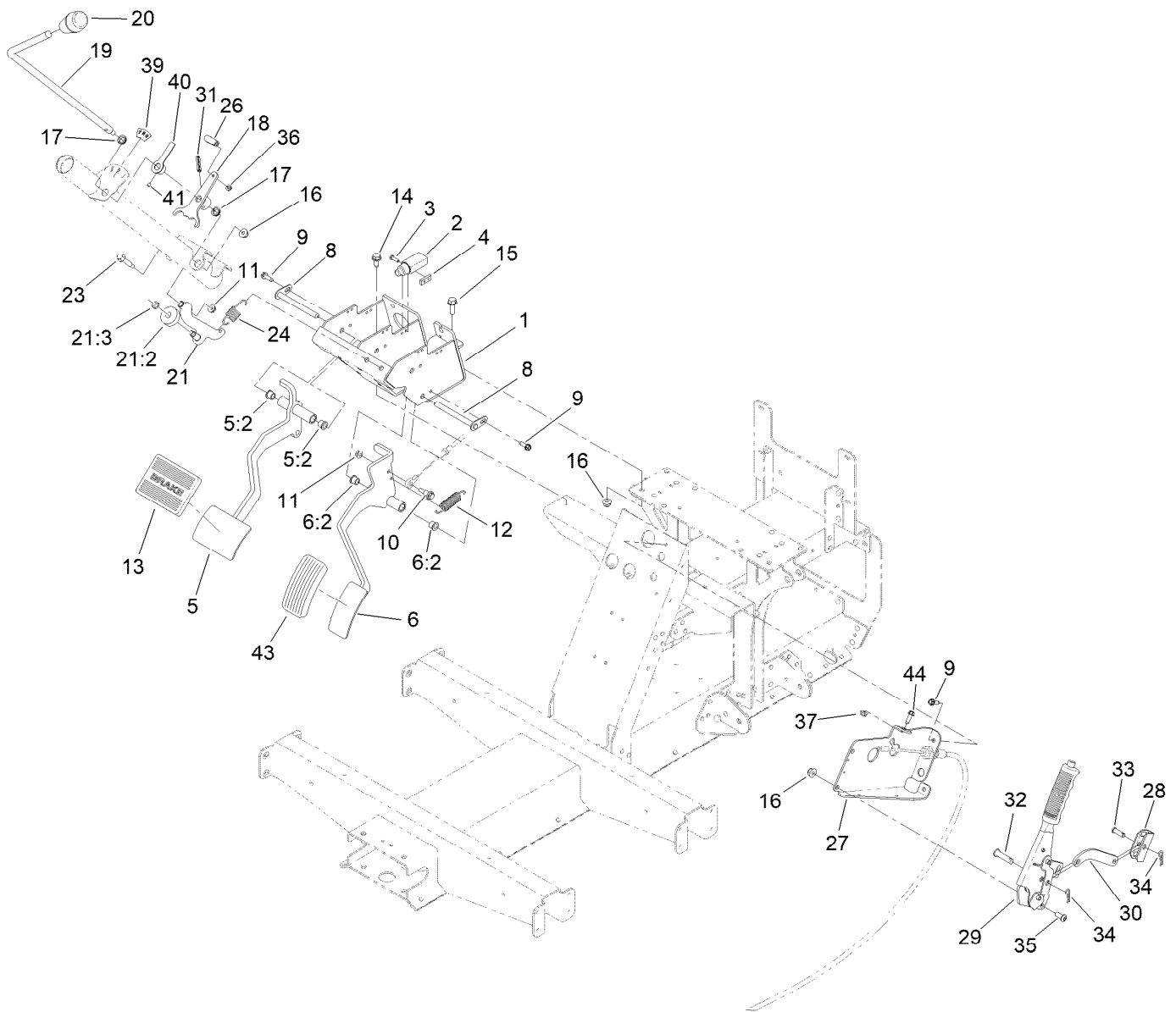
## Brake Caliper Assembly No. 140-2575

<i>Ref.</i>	<i>Part Number</i>	<i>Qty.</i>	<i>Description</i>
1	140-2580	1	Brake Pad Service Kit (Front, Qty 4)
2	119-9511	1	Bracket Kit
3	133-0614	1	Piston Kit



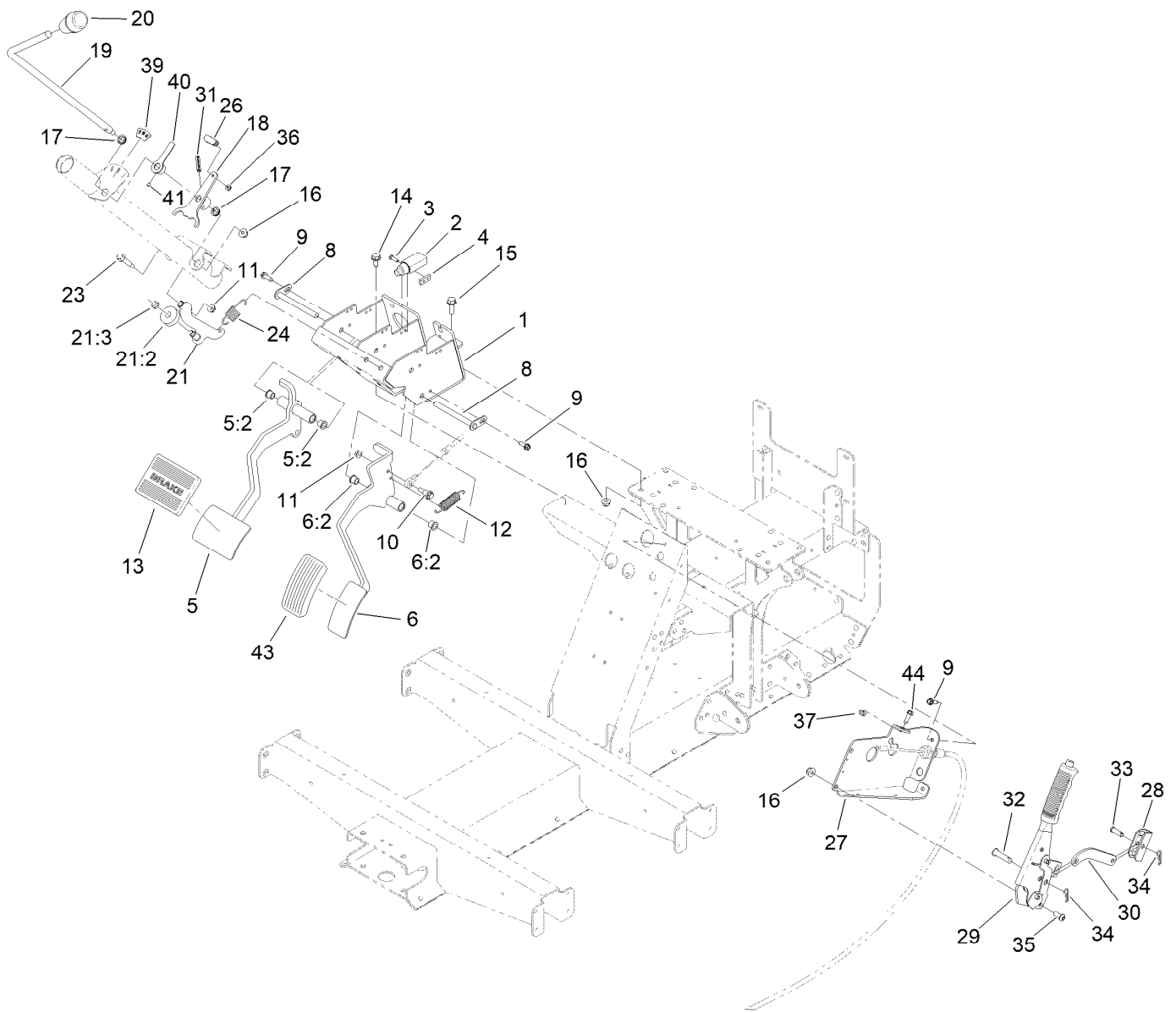
## Steering Assembly

<i>Ref.</i>	<i>Part Number</i>	<i>Qty.</i>	<i>Description</i>	<i>Ref.</i>	<i>Part Number</i>	<i>Qty.</i>	<i>Description</i>
1	138-0114	1	Steering Rack ASM	8	32144-49	4	Screw-HWHTF
1:21	140-4591	1	Kit-Tie Rod ASM, Gtx	9	3230-1	4	Bolt-CARR
1:22	140-4592	1	Kit-Rod End ASM	10	104-8300	4	Nut-HF, NI
1:22:2	3272-42	1	Pin-Cotter	11	144-5570	1	Steering Wheel ASM
1:22:3	140-2493	1	Nut-Hex, Slotted	13	99-5107	1	Nut-Lock
2	145-2052	1	Steering Column ASM, Gtx	14	144-5567	1	Cover-Wheel, Steering
3	112-3262	2	Bearing	15	144-5566	1	Clip-Wheel, Steering
4	145-2050	1	Steering Shaft ASM	16	144-5537	2	Spring-Compression
6	145-7145	1	Screw-HSH,Lock	17	94-4496	5	Screw-PPH



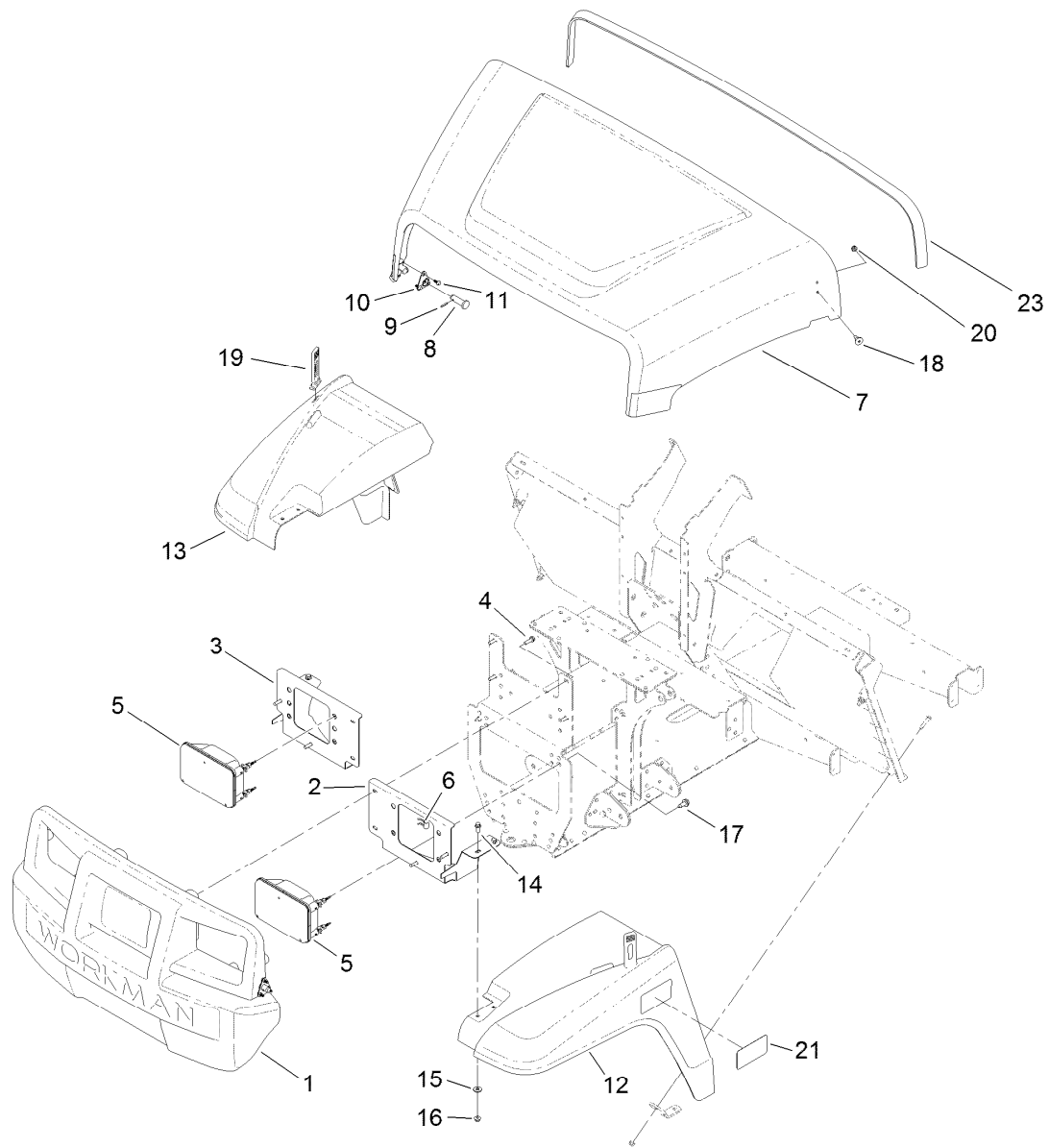
## Pedal and Control Assembly

Ref.	Part Number	Qty.	Description	Ref.	Part Number	Qty.	Description
1	127-8817-03	1	Mount-Pedal	21	138-6432	1	Detent Arm Assembly
2	99-7407	1	Switch	21:2	145-2095	1	Bushing-Detent, Shift
3	3290-134	2	Screw	21:3	3296-47	1	Nut-Lock, NI
4	1-633181	1	Plate-Tapped	23	116-6876	1	Screw-Shoulder
5	138-9385	1	Brake Pedal ASM	24	131-8419	1	Spring-Extension
5:2	256-116	2	Bushing-Flange	26	2411-38	1	Joint-Ball
6	138-9390	1	Throttle Pedal ASM, Gtx	27	140-4836-03	1	Mount-Park Brake
6:2	256-116	2	Bushing-Flange	28	87-3480	1	Bracket-Equalizer, Cable
8	131-8459	2	Shaft-Pivot	29	131-8320	1	Lever-Brake, Park
9	49-2040	4	Screw-HWHTF	30	144-0516	1	Link-Park, Brake
10	104-0858	1	Bolt-Shoulder	31	32121-9	1	Pin-Roll, Slotted
11	32128-33	2	Nut-HF	32	283-10	1	Pin-Clevis
12	67-1450	1	Spring-Idler	33	1-808280	1	Pin-Clevis
13	7-3900	1	Pad-Brake	34	1-806003	2	Pin-Cotter
14	32144-70	2	Screw-HWHTF	35	3274-55	2	Screw-HSBH
15	3234-29	1	Screw-HHF	36	3296-27	1	Nut-Lock, NI
16	104-8300	4	Nut-HF, NI	37	104-7201	1	Nut-HF, NI
17	110-3318	2	Bushing-Snap	39	131-8463	1	Decal-Shift
18	127-8833	1	Arm-Shift	40	131-8462-01	1	Indicator-Shift
19	127-8830	1	Shaft-Shifter	41	3245-20	1	Screw-Set
20	131-8473	1	Knob-Tapered				



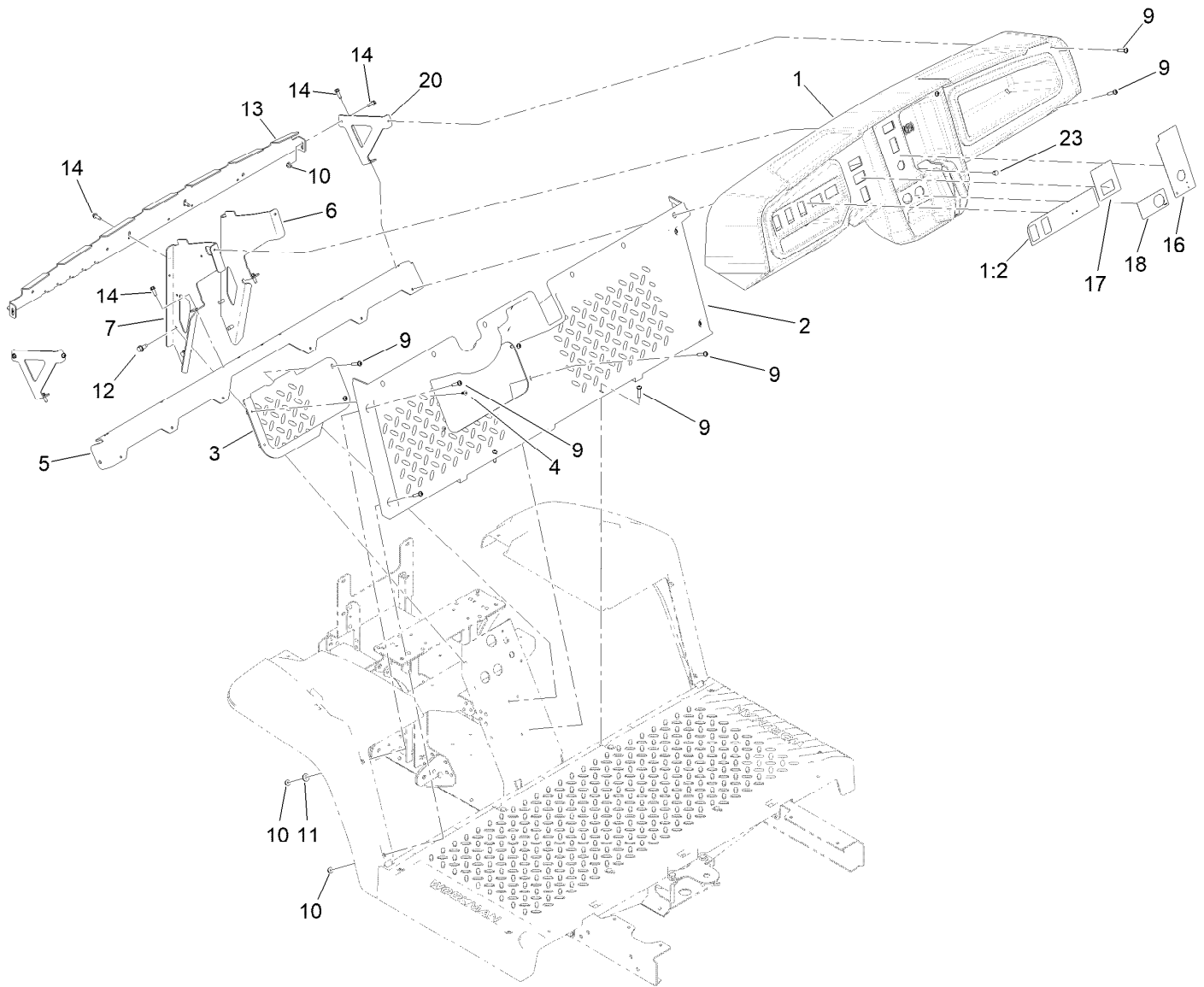
## Pedal and Control Assembly (continued)

<i>Ref.</i>	<i>Part Number</i>	<i>Qty.</i>	<i>Description</i>
43	140-4572	1	Pedal Pad-Throttle
44	115-5103	1	Screw-HHF



## Hood and Fender Assembly

<i>Ref.</i>	<i>Part Number</i>	<i>Qty.</i>	<i>Description</i>	<i>Ref.</i>	<i>Part Number</i>	<i>Qty.</i>	<i>Description</i>
1	132-8530	1	Bumper	12	127-7771	1	Fender-Front, LH
2	131-8455-03	1	Bracket-Headlight, LH	13	127-7772	1	Fender-Front, RH
3	131-8456-03	1	Bracket-Headlight, RH	14	3234-33	4	Screw-HHF
4	46-8091	8	Screw-HWH	15	3256-2	4	Washer-Flat
5	138-9260	2	Headlight ASM	16	104-7201	4	Nut-HF, NI
6	115-2408	6	Clip-Speed	17	32144-70	2	Screw-HWHTF
7	136-6281	1	Hood	18	125-1122	2	Screw
8	117-5094	2	Pin-Clevis	19	131-8402	2	Strap-Down, Hold
9	32121-50	2	Pin-Spring	20	3296-56	2	Nut-Lock, NI
10	112-3308	2	Retainer-Pin	21	138-3527	2	Decal-Fender
11	121-9605	6	Screw-HWH	23	133-7210	1	Seal-Trim, Hood

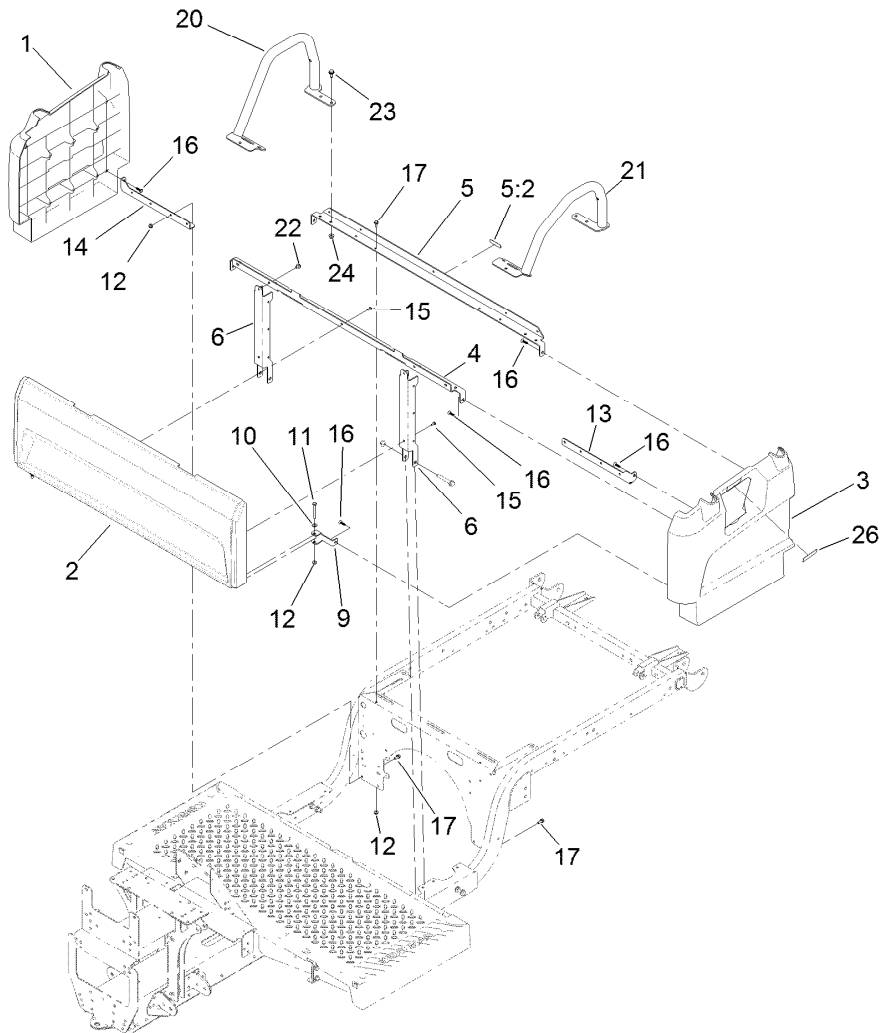


## Dash Assembly

<i>Ref.</i>	<i>Part Number</i>	<i>Qty.</i>	<i>Description</i>	<i>Ref.</i>	<i>Part Number</i>	<i>Qty.</i>	<i>Description</i>
1	145-2099	1	Dash-Gtx	11	3256-2	2	Washer-Flat
1:2	145-2261	1	Decal-Dashboard, Gtx	12	32144-70	4	Screw-HWHTF
2	147-8212	1	Footboard	13	131-8568-03	1	Reinforcement-Dash
3	127-7847	1	Cover-Footboard	14	49-2040	8	Screw-HWHTF
4	107-7461	2	Screw-Plastite	16	145-2262	1	Decal-Control Panel, Gas EFI
5	127-7831-03	1	Angle	17	145-2265	1	Decal-Dash Center, Gas EFI
6	131-8336-03	1	Bracket-Dash, RH	18	131-8493	1	Decal-USB
7	145-2094-03	1	Bracket-Dash, LH	20	131-8569-03	2	Bracket-Dash, Side
9	132-6777	20	Screw-Twh Thd Roll	23	104-9368	1	Plug-Dome
10	104-7201	6	Nut-HF, NI				

Reference Model 07048 For Bucket Seat Base Kit Parts

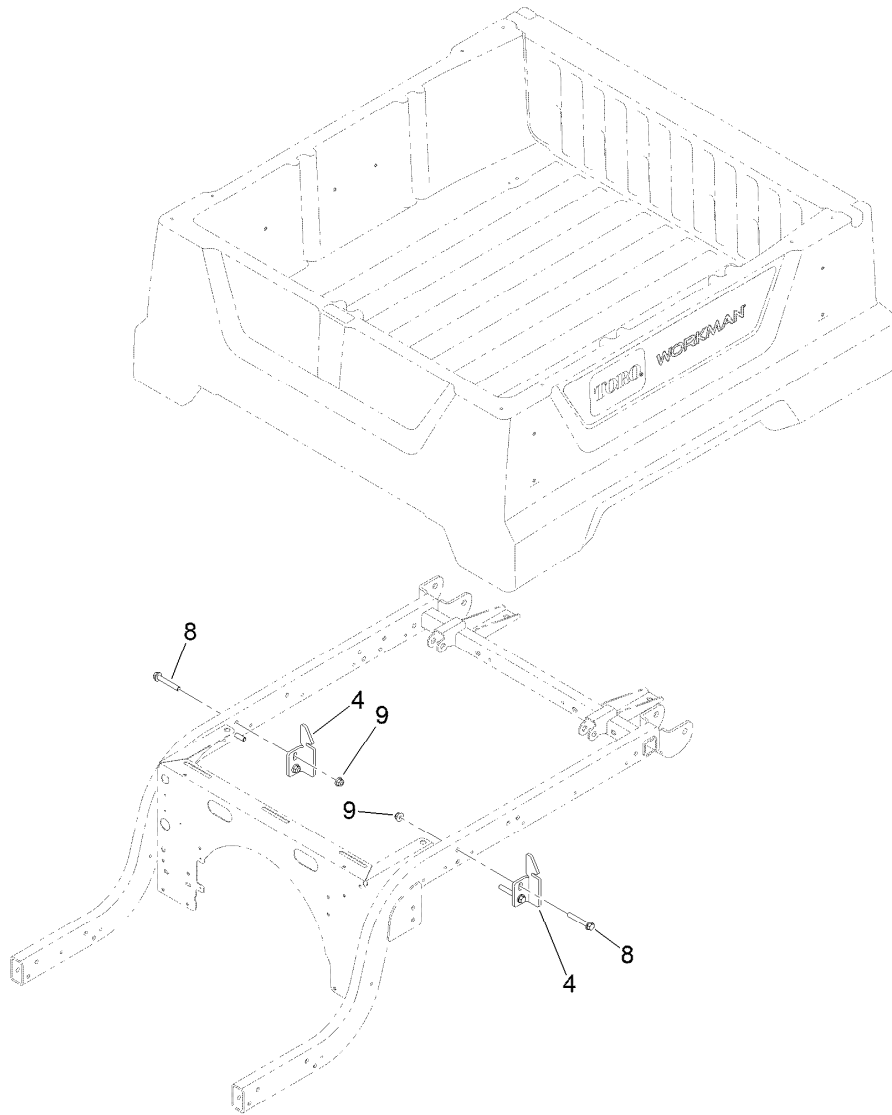
Reference Model 07047 For Bench Seat Base Kit Parts



## Seatbase Assembly

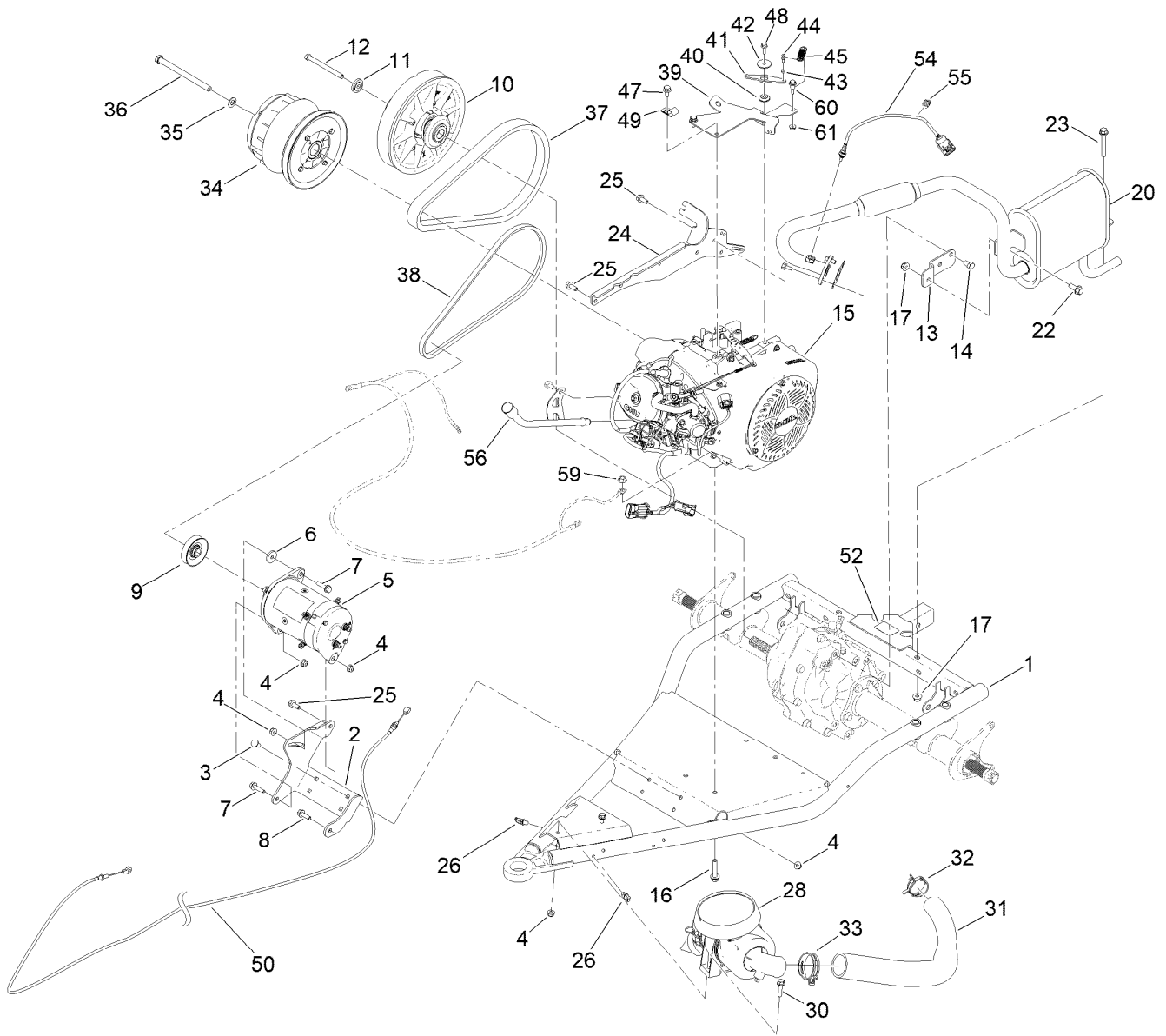
<i>Ref.</i>	<i>Part Number</i>	<i>Qty.</i>	<i>Description</i>	<i>Ref.</i>	<i>Part Number</i>	<i>Qty.</i>	<i>Description</i>
1	127-7805	1	Side-Base, Seat (RH)	13	127-7842-03	1	Bracket-Support, Side (LH)
2	133-7188	1	Panel-Base, Seat	14	127-7843-03	1	Bracket-Support, Side (RH)
3	127-7807	1	Side-Base, Seat (LH)	15	112-6349	5	Screw-HWH
4	133-7345-03	1	Support-Seat	16	120-2349	8	Screw
5	137-6991	1	Seat Support ASM	17	3234-33	6	Screw-HHF
5:2	120-9570	1	Decal-Warning	20	145-2075-05	1	Hip Restraint ASM, RH
6	127-7841-03	2	Channel-Support, Seat	21	145-2070-05	1	Hip Restraint ASM, LH
9	127-7844-03	2	Clamp-Plate, Floor	22	46-6810	2	Screw And Washer ASM
10	3256-22	2	Washer-Flat	23	32144-70	6	Screw-HWHTF
11	321-18	2	Screw-HH	24	104-8300	6	Nut-HF, NI
12	104-7201	8	Nut-HF, NI	26	131-8410	1	Decal-Danger, Fuel





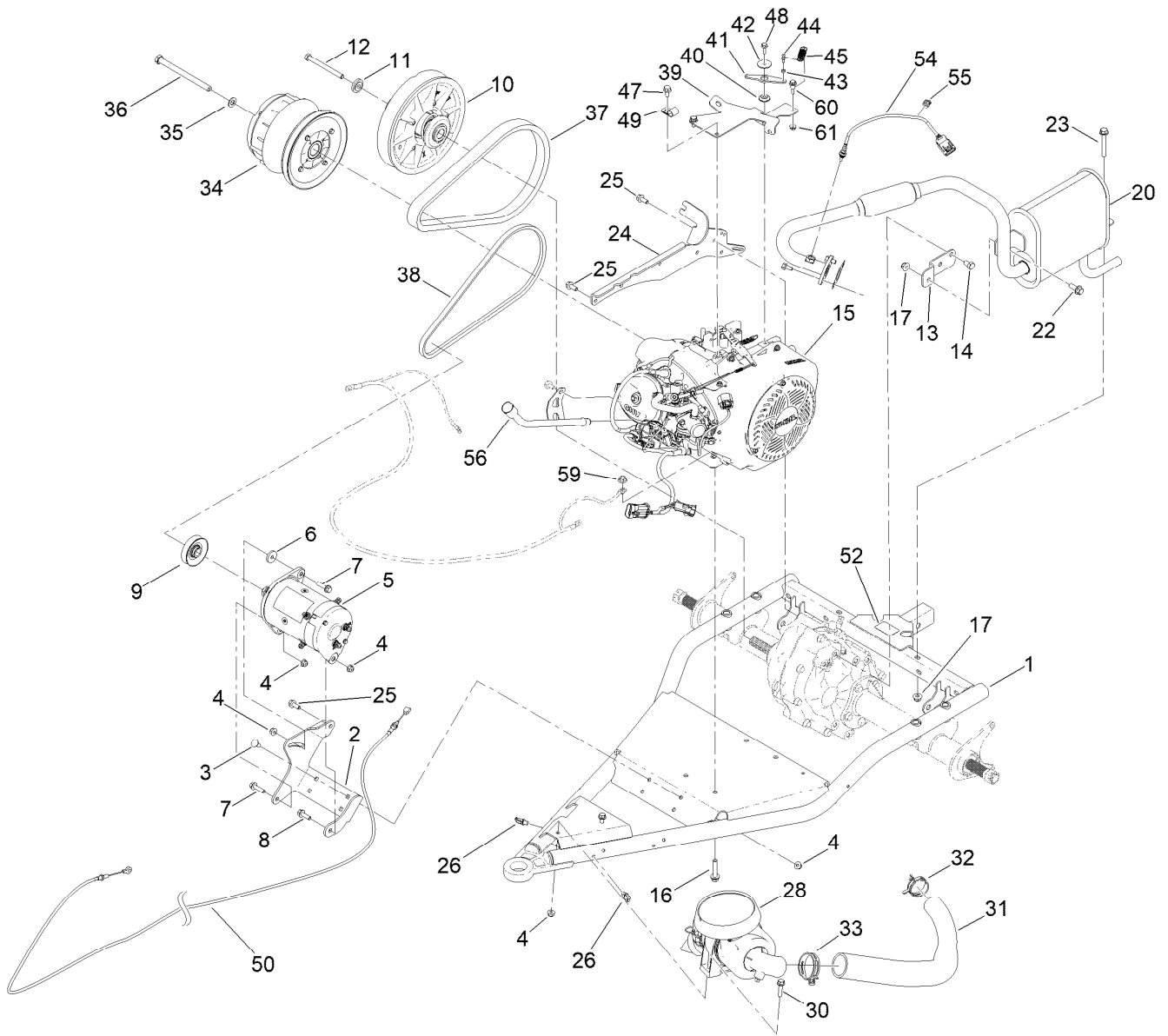
## Cargo Bed Assembly

<i>Ref.</i>	<i>Part Number</i>	<i>Qty.</i>	<i>Description</i>
4	127-7428-03	2	Striker-Latch, Bed
8	3234-39	4	Screw-HHF
9	104-8301	4	Nut-HF, NI



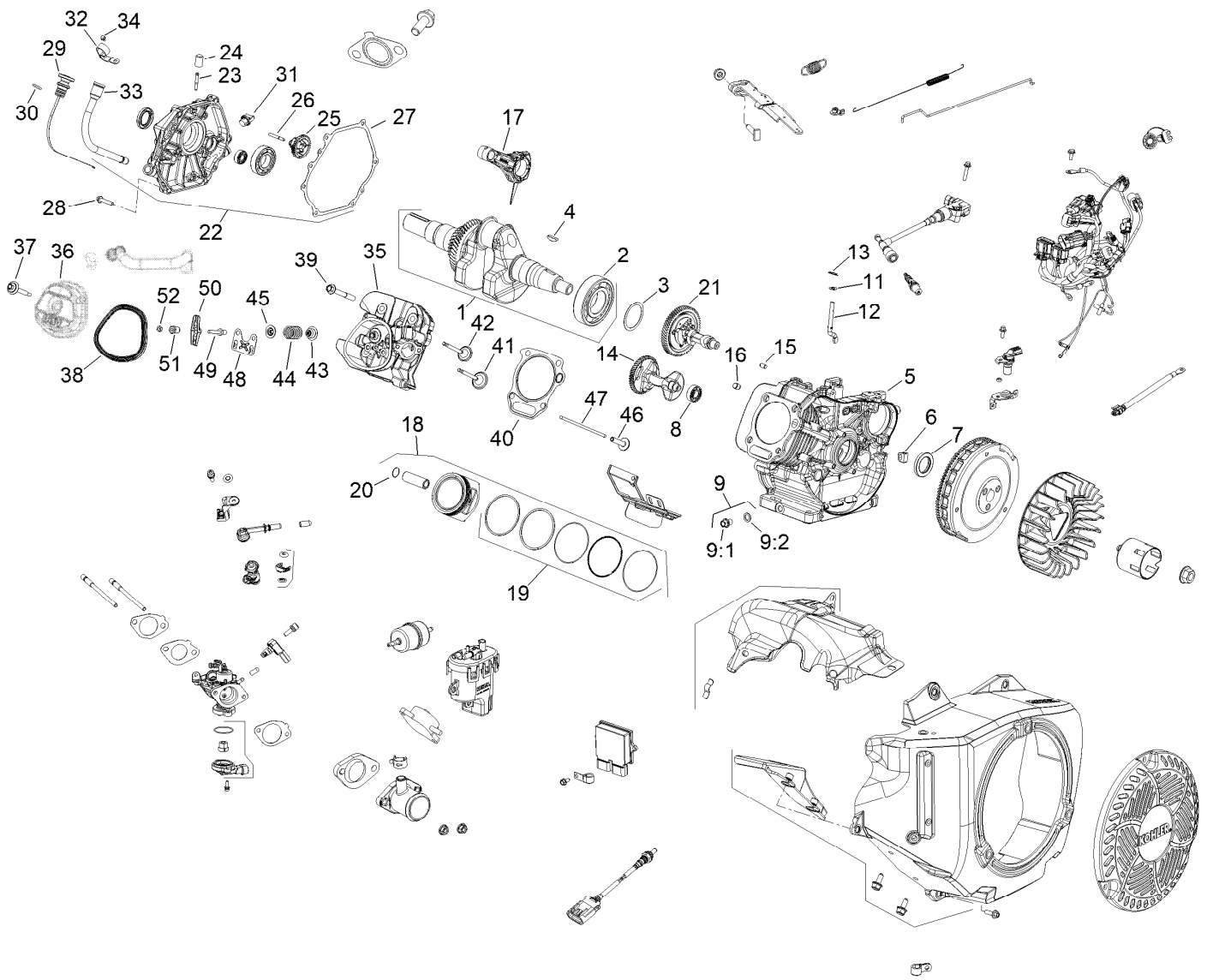
## Engine Assembly

Ref.	Part Number	Qty.	Description	Ref.	Part Number	Qty.	Description
1	140-2558-03	1	Gtx Swing Arm ASM	25	139-3392	6	Screw-Lock
2	131-8503-03	1	Bracket-Starter/Generator	26	32180-030	2	Clip-Tie
3	3230-23	4	Bolt-CARR	28	138-3447	1	Air Cleaner ASM
4	104-8300	9	Nut-HF, NI	30	3234-36	2	Screw-HHF
5	131-8444	1	Starter/Generator ASM	31	131-8489	1	Hose-Intake, Air
6	65-8270	1	Washer	32	145-2272	1	Clamp-Sc Band
7	119-4036	2	Screw-HHF	33	144-2249	1	Clamp-Sc Band
8	3234-29	1	Screw-HHF	34	138-0095	1	Primary Clutch ASM
9	121-6277	1	Pulley-Drive	35	3256-25	1	Washer-Flat
10	119-6011	1	Secondary Clutch ASM	36	131-8521	1	Screw-HH
11	104-6563	1	Washer-Stepped	37	131-8567	1	Belt-Variable
12	119-0723	1	Screw-HH, Lock	38	94-8803	1	V-Belt, Impeller
13	131-8329	1	Bracket-Muffler	39	144-2186	1	Bracket-Throttle
14	70-8470	2	Screw-HH	40	131-8524	1	Bushing-Flange
15	145-2280	1	Engine-Kohler, Ech440	41	131-8504	1	Lever-Throttle
16	140-4808	4	Screw-HHF	42	3256-55	1	Washer-Flat
17	104-8301	2	Nut-HF, NI	43	110-2619	1	Keeper-Spring
20	138-9275	1	Exhaust ASM	44	99-7847	1	Ball-Stud
22	3234-42	1	Screw-HHF	45	71-5470	1	Spring-Brake
23	3234-39	1	Screw-HHF	47	33104-016	2	Screw-HHF
24	140-4648	1	Plate-Spanner	48	33103-020	1	Screw-HHF



## Engine Assembly (continued)

<i>Ref.</i>	<i>Part Number</i>	<i>Qty.</i>	<i>Description</i>	<i>Ref.</i>	<i>Part Number</i>	<i>Qty.</i>	<i>Description</i>
49	2412-138	1	R-Clamp	56	147-2835	1	Dip Stick Tube ASM
50	127-8860	1	Cable-Accelerator	59	139-3380	4	Nut-HF
52	137-9984	1	Decal-Load, Towing	60	104-0858	1	Bolt-Shoulder
54	136-6348	1	Sensor-O2	61	32128-33	1	Nut-HF
55	32180-226	1	Clip-Edge, Perpendicular W/Tie				

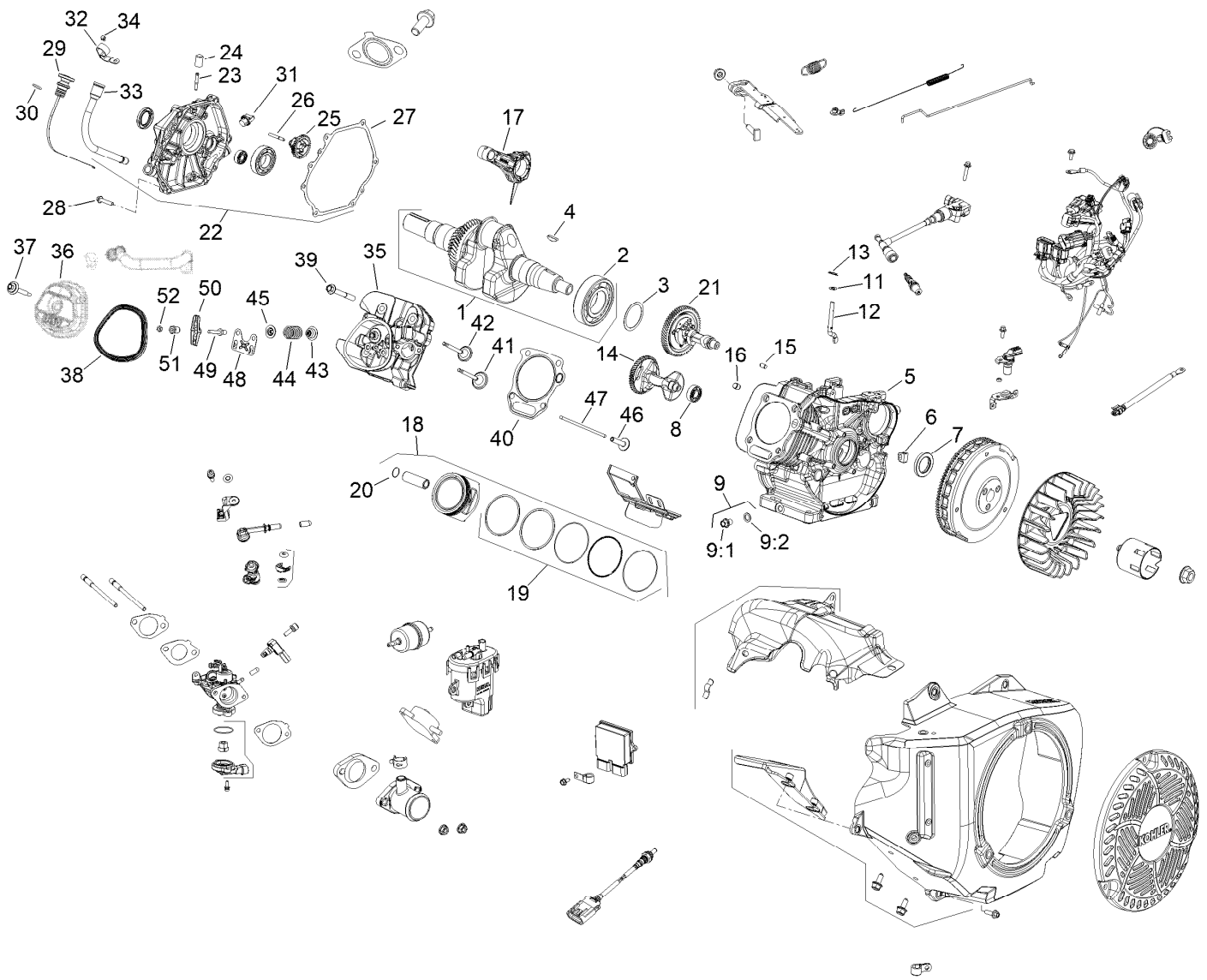


## Engine Assembly No. 145-2280

Ref.	Part Number	Qty.	Description	Ref.	Part Number	Qty.	Description
1	136-4909	1	Crankshaft ASM	18	136-4977	1	Piston W/Ring Set (STD)
2	136-4918	2	Bearing-Crankshaft	18	136-4978	1	Piston Kit (0.25 Os)
3	136-4917	4	Bearing-Shaft, Balance	18:1		1	Piston (STD) ●■
4	136-4906	1	Key-Flywheel	18:1		1	Piston (0.25 Os) ●■
5		1	Crankcase (Not Serviced) ■	18:2	136-4937	1	Ring Set ●
6	136-4957	1	Grommet-Crankcase	18:2		1	Ring Set (0.25 Os) ●■
7	136-4920	2	Seal-Crankshaft	18:3	136-4913	2	Retainer-Piston ●
8	136-4916	2	Adapter-Inlet, Air	18:3	136-4913	2	Retainer-Piston ●
9	136-4942	2	Drain Plug Kit	18:4		1	Wrist Pin ●■
9:1		1	Plug-Drain ■	18:4		1	Pin-Wrist ●■
9:2	136-4967	1	Washer-Plug, Drain	19	136-4937	2	Ring Set
11	136-4968	2	Washer-Flat	20	136-4913	2	Retainer-Piston
12	136-4944	1	Shaft-Cross, Governor	21	136-4908	1	Camshaft ASM
13	136-4904	1	Clip-Shaft, Governor	22	140-2402	1	Kit-Closure Plate
14	136-4945	1	Shaft-Balance	23	136-4955	1	Fitting-Pump, Pulse
15	136-4965	2	Pin-Dowel	24	140-2403	1	Cap-Masking
16	136-4964	2	Pin-Dowel, Cylinder Head	25	136-4956	1	Governor ASM
17	140-2401	1	Connecting Rod ASM	26	136-4943	1	Shaft-Gear, Governor

● Not illustrated

■ Not serviced separately

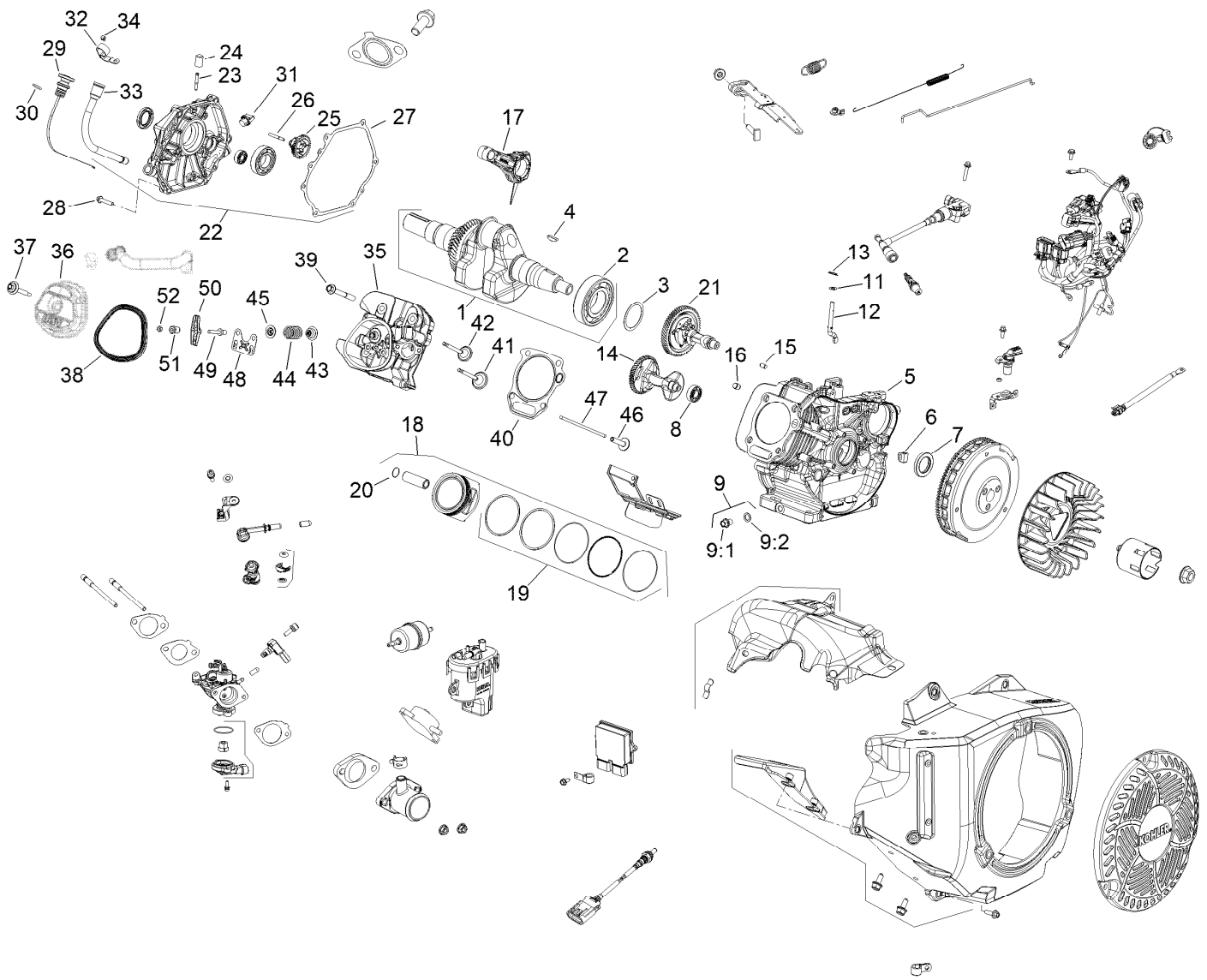


## Engine Assembly No. 145-2280 (continued)

Ref.	Part Number	Qty.	Description	Ref.	Part Number	Qty.	Description
27	136-4923	1	Gasket-Plate, Closure	36:3:1		1	Screw-Cover, Valve ●■
28	136-4983	7	Screw-Plate, Closure	36:3:2		1	Gasket-Screw, Valve Cover ●■
29	140-2404	1	Dipstick ASM	37	136-4988	1	Screw (Valve Cover Seal ASM)
30	140-2405	1	O-Ring-Dipstick Cap	37:1		1	Screw-Cover, Valve ●■
31	136-4952	1	Oil Fill Cap ASM	37:2		1	Gasket-Screw, Valve Cover ●■
31:1		1	Oil Fill Cap ●■	38	136-4927	1	Gasket-Cover, Valve
31:2		1	Gasket ●■	39	140-2407	4	Screw-Hex Flange
32	140-2406	1	Bracket-Dipstick Tube	40	140-2408	1	Head Gasket Kit
33	140-4595	1	Dip Stick Tube ASM	41	136-4911	1	Valve-Intake
34	136-4991	1	Screw-HF	42	136-4912	1	Retainer-Spring, Valve
35	136-4961	1	Cylinder Head Kit	43	136-4919	2	Seal-Stem, Valve
35:1		1	Head-Cylinder ●■	44	136-4931	2	Spring-Valve
35:2	136-4929	2	Stud-Intake ●	45	136-4912	2	Retainer-Spring, Valve
36	145-2289	1	Valve Cover Kit	46	136-4963	2	Lifter-Valve
36:1		1	Cover-Valve ●■	47	136-4966	2	Rod-Push
36:2	136-4927	1	Gasket-Cover, Valve ●				
36:3	136-4988	1	Screw (Valve Cover Seal ASM) ●				

● Not illustrated

■ Not serviced separately



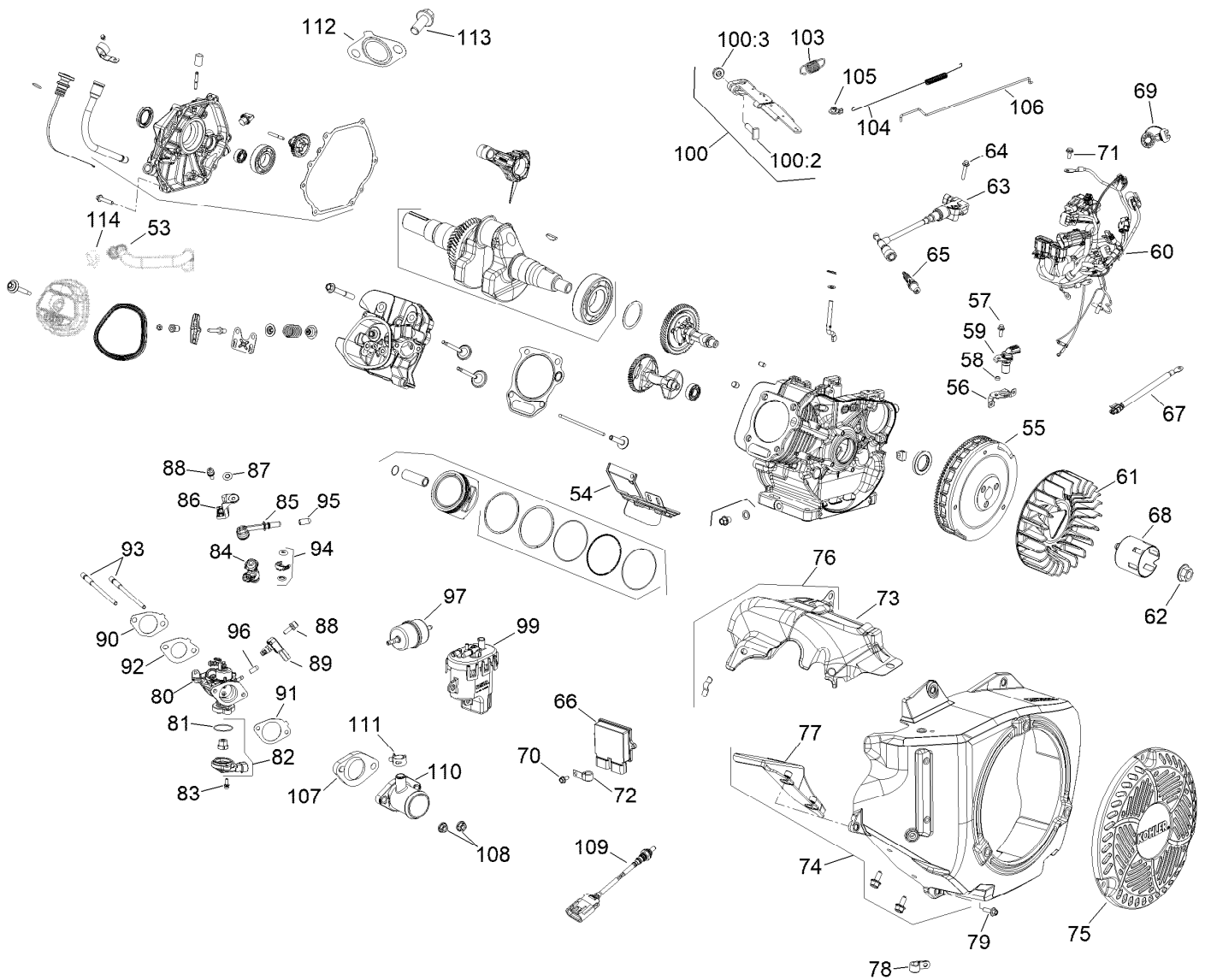
## Engine Assembly No. 145-2280 (continued)

Ref.	Part Number	Qty.	Description
48	136-4946	1	Plate-Guide, Pushrod
49	136-4900	2	Stud-Arm, Rocker
50	136-4953	2	Arm-Rocker

Ref.	Part Number	Qty.	Description
51	136-4907	2	Pivot-Arm, Rocker
52	136-4901	2	Nut-HJ

● Not illustrated

■ Not serviced separately

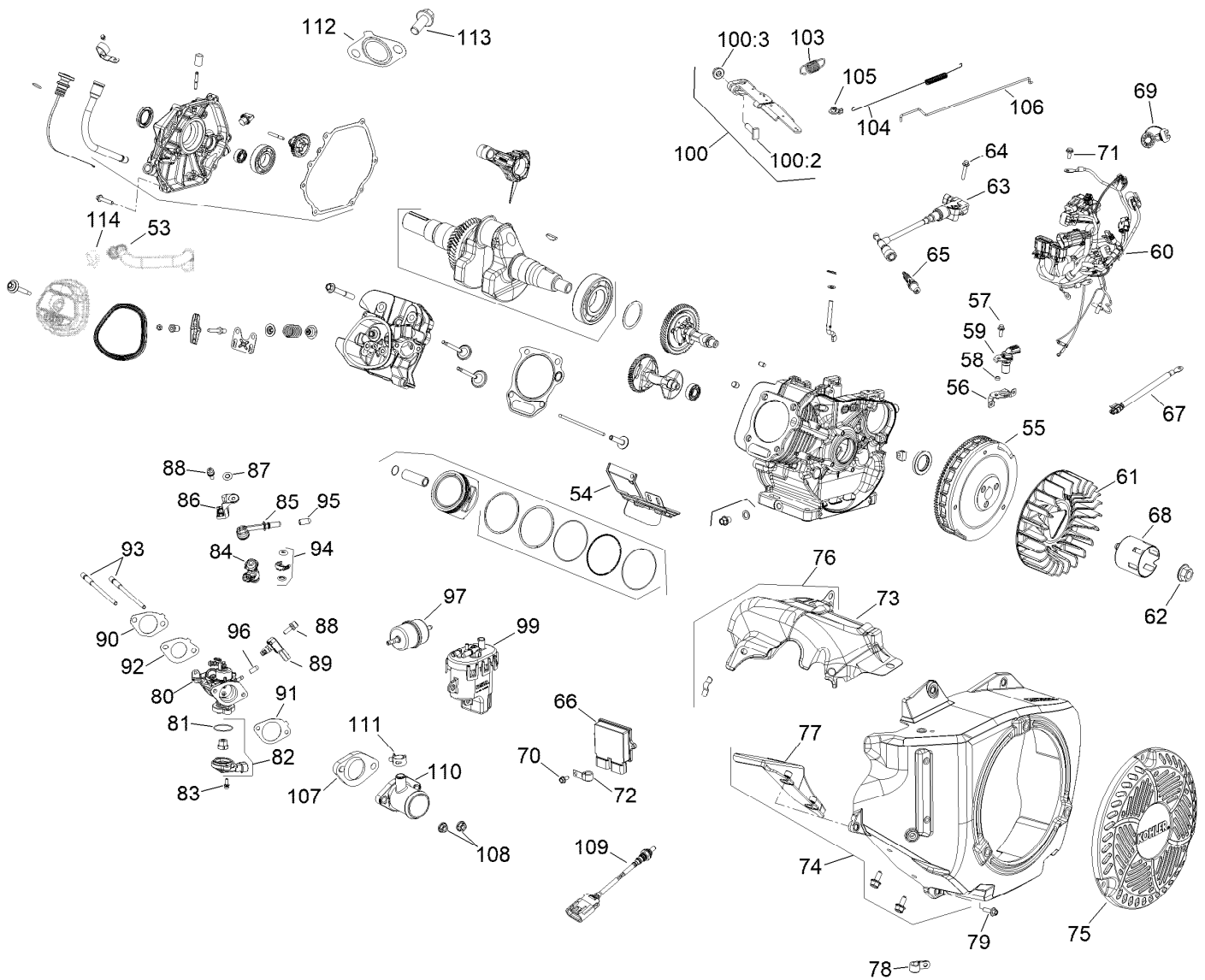


## Engine Assembly No. 145-2280

Ref.	Part Number	Qty.	Description	Ref.	Part Number	Qty.	Description
53	145-2293	1	Hose-Breather	71	140-2422	3	Screw-M6 X 16
54	140-2409	1	Cylinder Shield ASM	72	140-2423	1	Clip-Cable
55	140-2410	1	Flywheel ASM	73	140-2424	1	Shield-Heat, Upper
56	140-2411	1	Bracket-Crank Sensor	74	140-2425	1	Blower Housing Kit
57	140-2412	1	Screw-Hex Flange	75	136-4950	1	Screen-Housing, Blower
58	140-2413	1	Spacer	76	140-2426	1	Heat Shield Sm
59	140-2414	1	Sensor-Speed	77	136-4958	1	Flywheel Finger Guard ASM
60	140-2415	1	Wiring Harness ASM	78	140-2427	1	Clamp-Insulated
61	136-4949	1	Fan-Flywheel	79	136-4982	5	Screw
62	136-4936	1	Nut-Flywheel	80	140-2428	1	Throttle Body And Gasket Kit
63	140-2416	1	Coil-Ignition, EFI	81	140-2429	1	O-Ring
64	140-2417	1	Screw-Hex Flange, M6	82	140-2430	1	Tps Kit
65	131-8589	1	Spark Plug	83	140-2431	2	Screw-Hexalob Sems M4 X 0.7
66	145-2288	1	Module-Ecu	84	140-2432	1	Injector-Fuel
67	140-2420	1	Lead-Sensor, Temp	85	140-2433	2	Cap-Fuel Injector
68	136-4938	1	Cup-Drive, Starter	86	140-2434	1	Fuel Cap Bracket ASM
69	140-2421	2	Cap-Connector				
70	136-4979	9	Screw-HF				

● Not illustrated

■ Not serviced separately



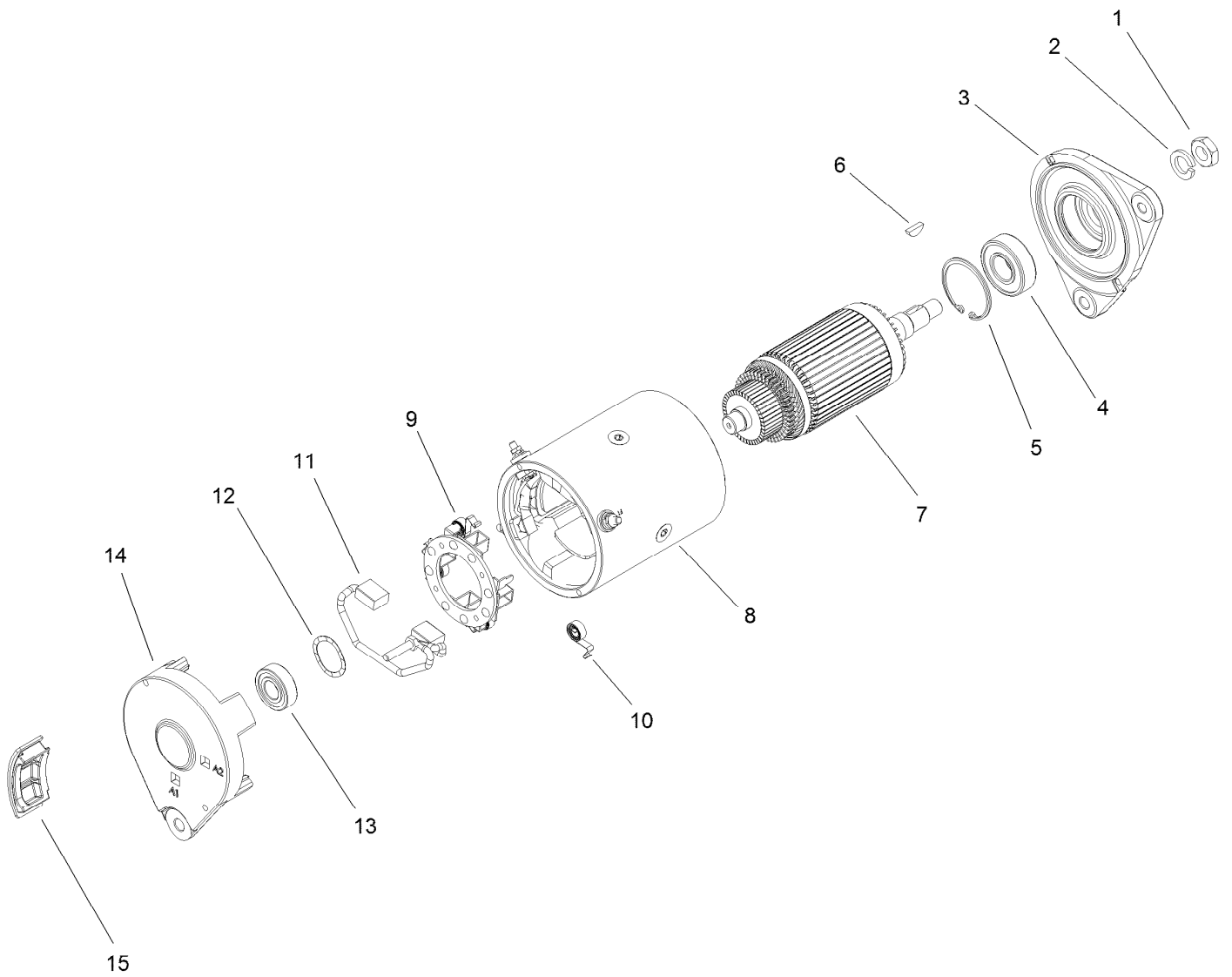
## Engine Assembly No. 145-2280 (continued)

Ref.	Part Number	Qty.	Description	Ref.	Part Number	Qty.	Description
87	140-2435	1	Clip-Retainer	100	136-4934	1	Governor Lever Kit
88	140-2436	2	Screw-Hexalob Sems M6 X 1	100:1		1	Lever-Governor ●■
89	140-2437	1	Sensor-Tmap	100:2	136-4980	1	Screw-Rect Head
90	136-4924	1	Intake Gasket Kit	100:3	136-4902	1	Nut-HF
90:1		1	Gasket (Insulator To Head) ●■	103	136-4933	1	Spring-Governor
90:2	136-4925	1	Gasket (Carb To Insulator) ●	104	140-2446	1	Spring-Linkage
90:3	136-4926	1	Gasket-Cleaner, Air ●	105	140-2447	1	Bushing-Linkage Retainer
91	140-2438	1	Gasket-Throttle Body	106	140-2448	1	Linkage-Governor
92	140-2439	1	Gasket-Insulator, T-Body	107	140-2449	1	Insulator-Throttle Body
93	136-4929	2	Stud-Intake	108	136-4903	2	Nut-HF, Lock
94	140-2440	1	Fuel Injector O-Ring Kit	109	140-2450	1	Sensor-Oxygen
95	140-2441	1	Cap-Masking	110	136-4916	1	Adapter-Inlet, Air
96	140-2442	1	Cap-Masking	111	140-2451	1	Clamp-Breather Hose
97	140-2443	1	Filter-Fuel	112	136-4922	1	Gasket-Muffler
99	140-2452	1	Fuel Pump Module Kit-World Wide	113	136-4985	2	Screw
				114	145-2291	1	Clamp-Breather Hose

● Not illustrated

■ Not serviced separately

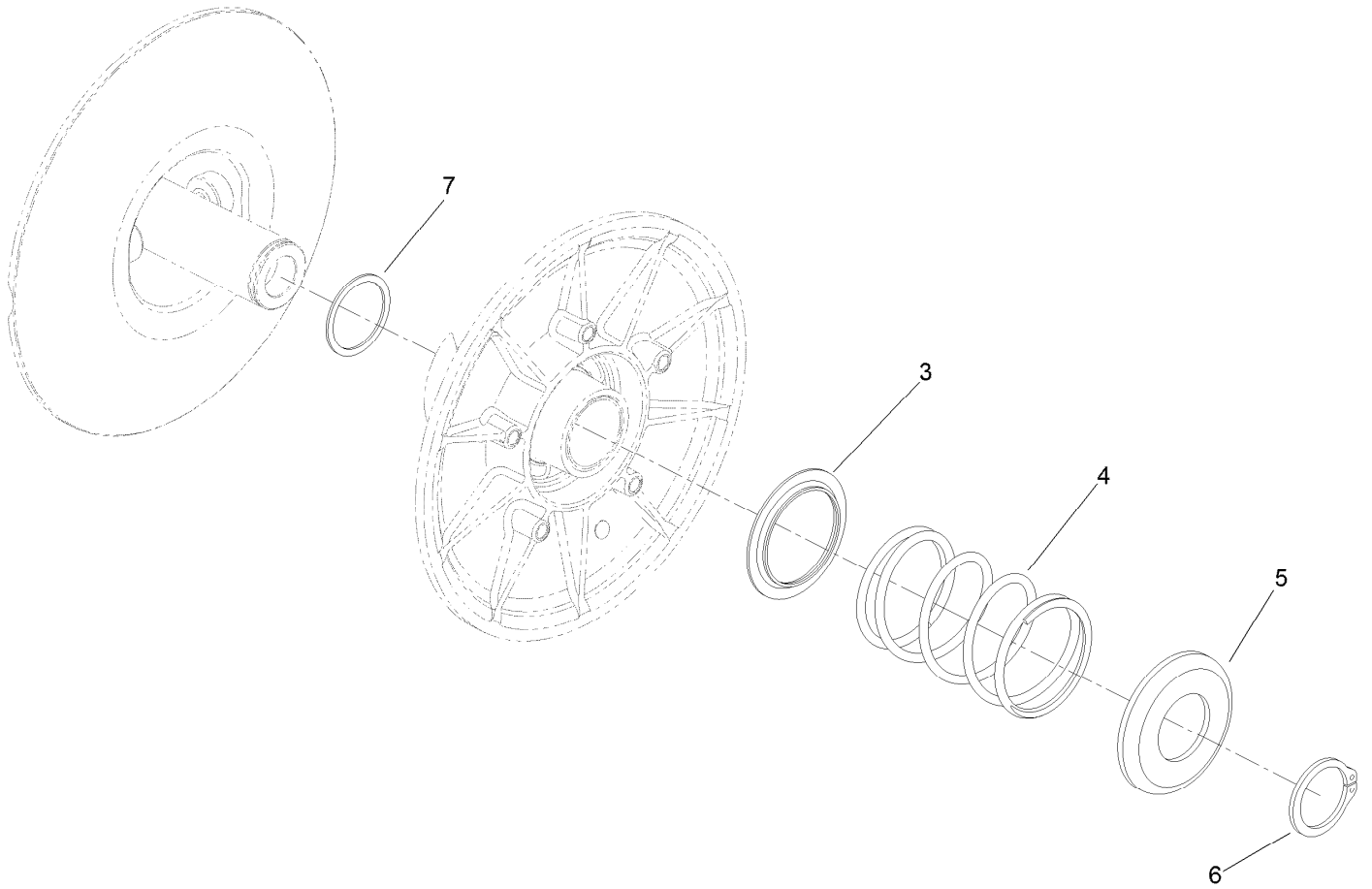




## Starter Generator Assembly No. 131-8444

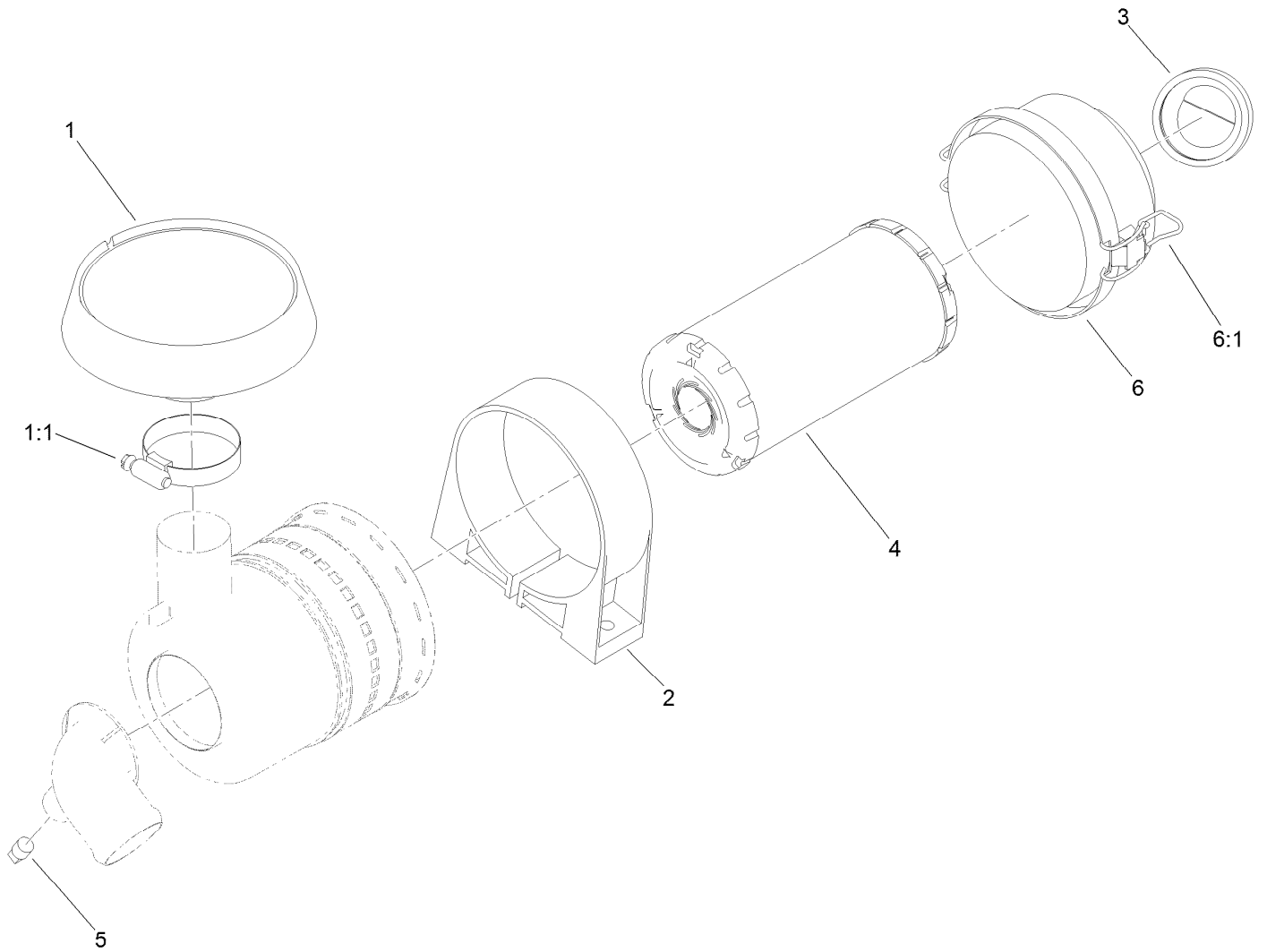
Ref.	Part Number	Qty.	Description
1	119-9651	1	Nut
2	119-9652	1	Washer-Lock
3	133-0599	1	Head-Drive End
4	119-9655	1	Bearing
5	119-9656	1	Ring-Retaining
6	119-9657	1	Key-Woodruff
7	119-9658	1	Armature ASM
8		1	Frame And Field Assembly ●
9	119-9661	1	Brush Box ASM
10	119-9660	4	Spring-Brush
11	119-9659	1	Brush Lead And Terminal Service Kit
12	119-9662	1	Washer-Wave
13	119-9663	1	Bearing
14		1	Head-End, Cummutator ●
15	133-0600	4	Plug-Rubber

● Not serviced separately



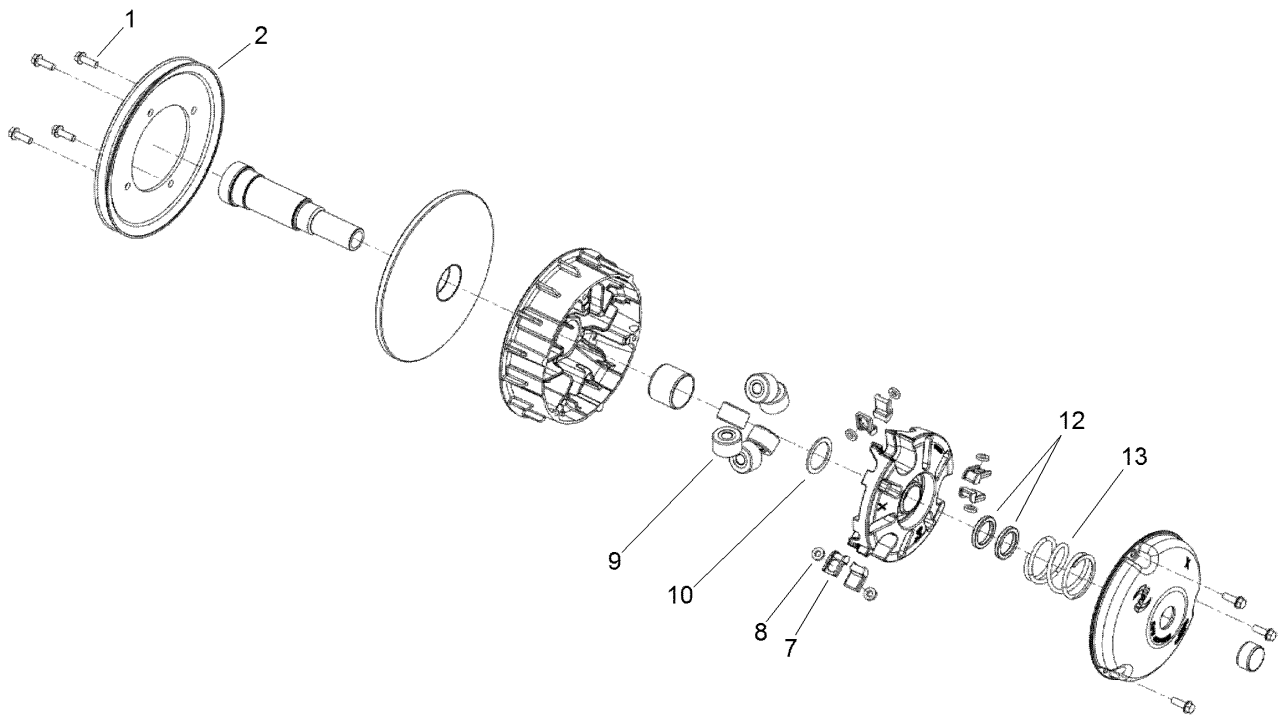
## Secondary Clutch Assembly No. 119-6011

<i>Ref.</i>	<i>Part Number</i>	<i>Qty.</i>	<i>Description</i>
3	119-0809	1	Cup-Spring Retainer, Inner
4	119-9360	1	Spring-Compression, Black/Almond
5	119-0810	1	Cup-Spring Retainer, Outer
6	119-0811	1	Ring-Retaining
7	119-6018	1	Shim-Thrust



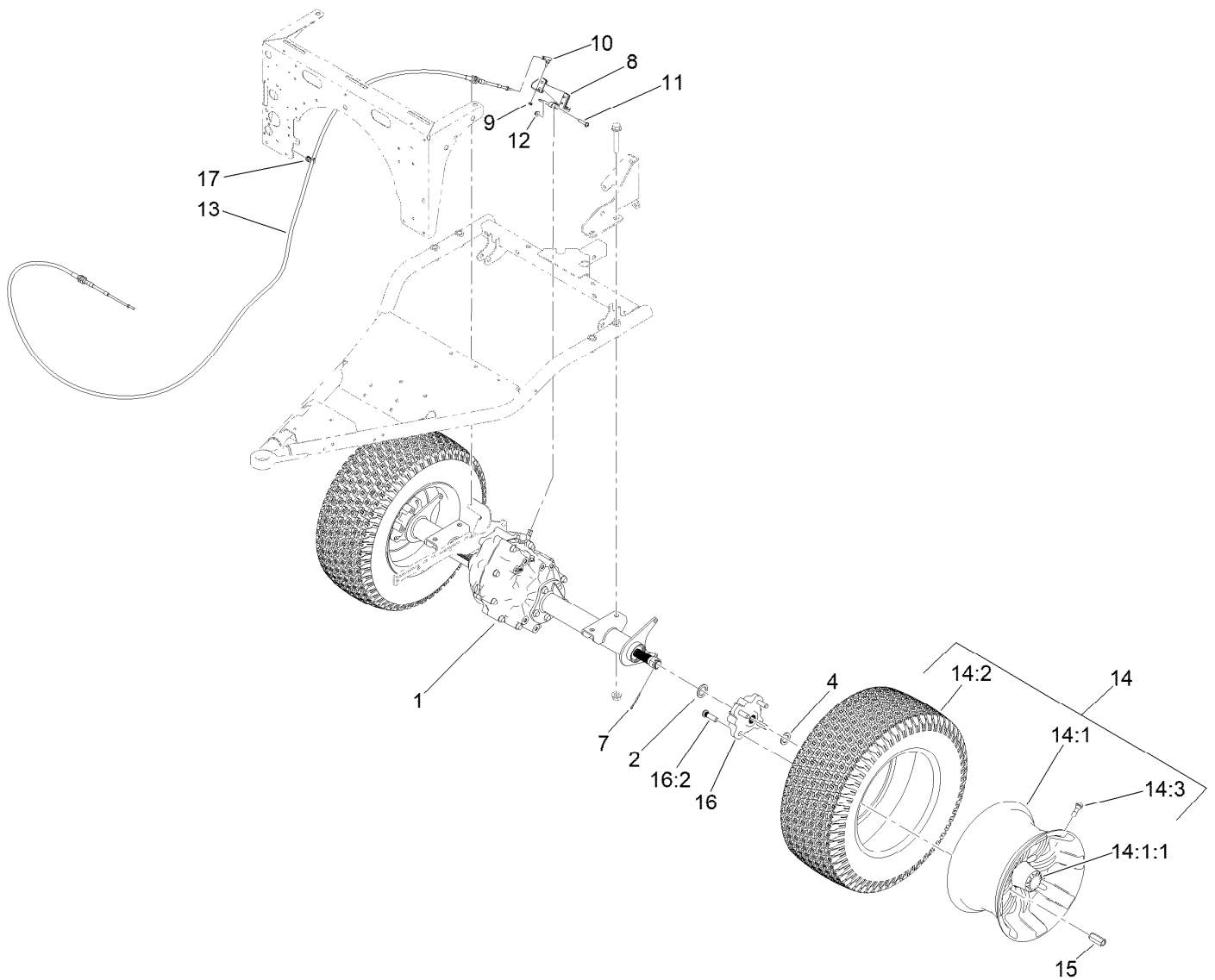
## Air Cleaner Assembly No. 138-3447

<i>Ref.</i>	<i>Part Number</i>	<i>Qty.</i>	<i>Description</i>
1	136-7859	1	Rain Cap Kit
1:1	1-643009	1	Clamp-Hose
2	95-5806	1	Bracket-Mounting, Air Cleaner
3	87-9400	1	Valve-Vacuator
4	108-3811	1	Filter-Air
5	281-7	1	Cap-Pipe
6	94-3652	1	Cover ASM
6:1	1-643283	2	Latch-Cleaner, Air



## Primary Clutch Assembly No. 138-0095

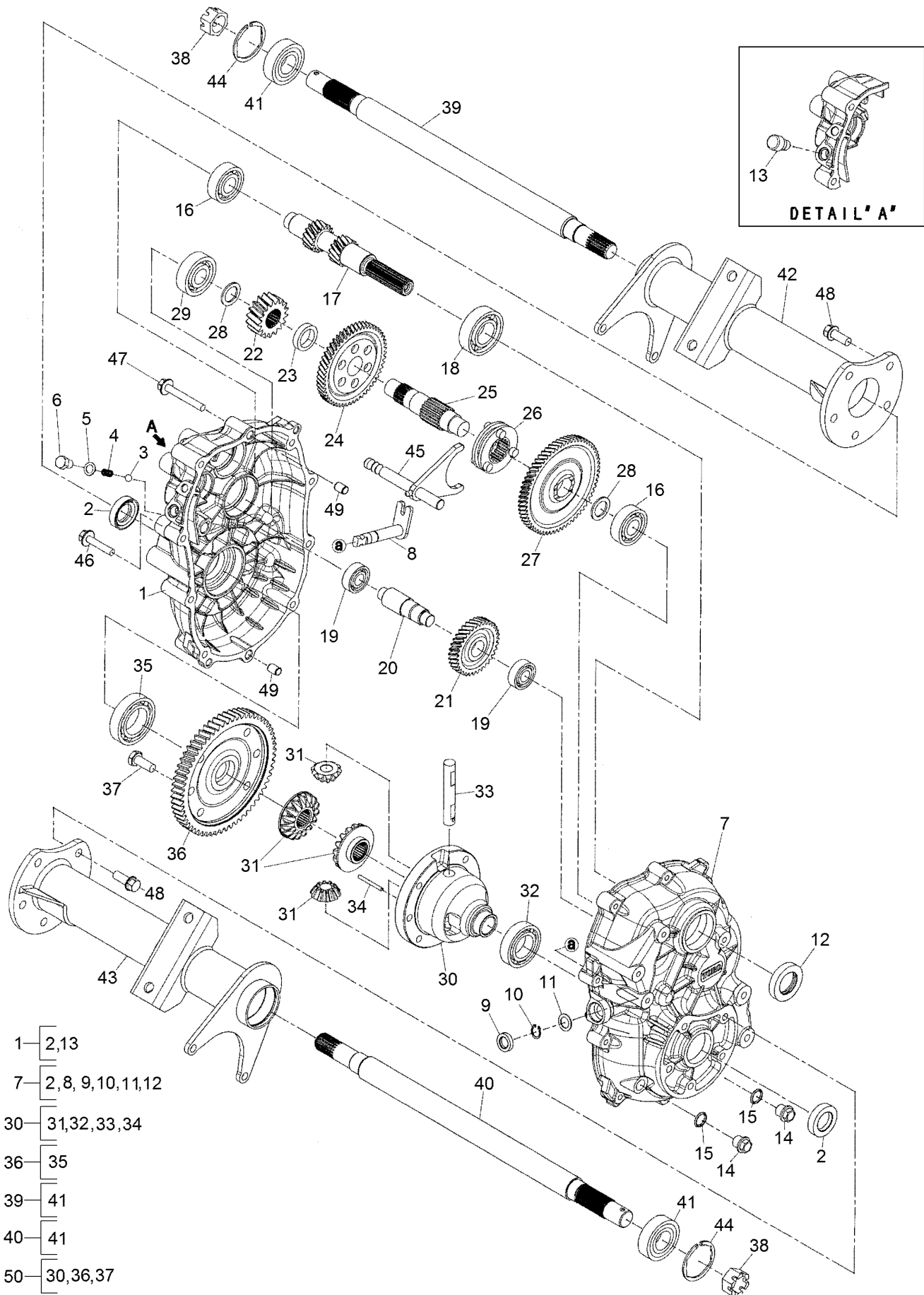
<i>Ref.</i>	<i>Part Number</i>	<i>Qty.</i>	<i>Description</i>
1	49-2040	7	Screw-HWHTF
2	119-0813	1	Pulley-Primary
7	127-8689	6	Button-Primary, Torque
8	127-8690	6	Plug-Button, Torque
9	119-0804	6	Weight-Roller
10	119-0812	1	Shim-Spider
12	119-0807	2	Shim-Limiter
13	119-9532	1	Spring-Red/White



## Rear Wheel and Transaxle Assembly

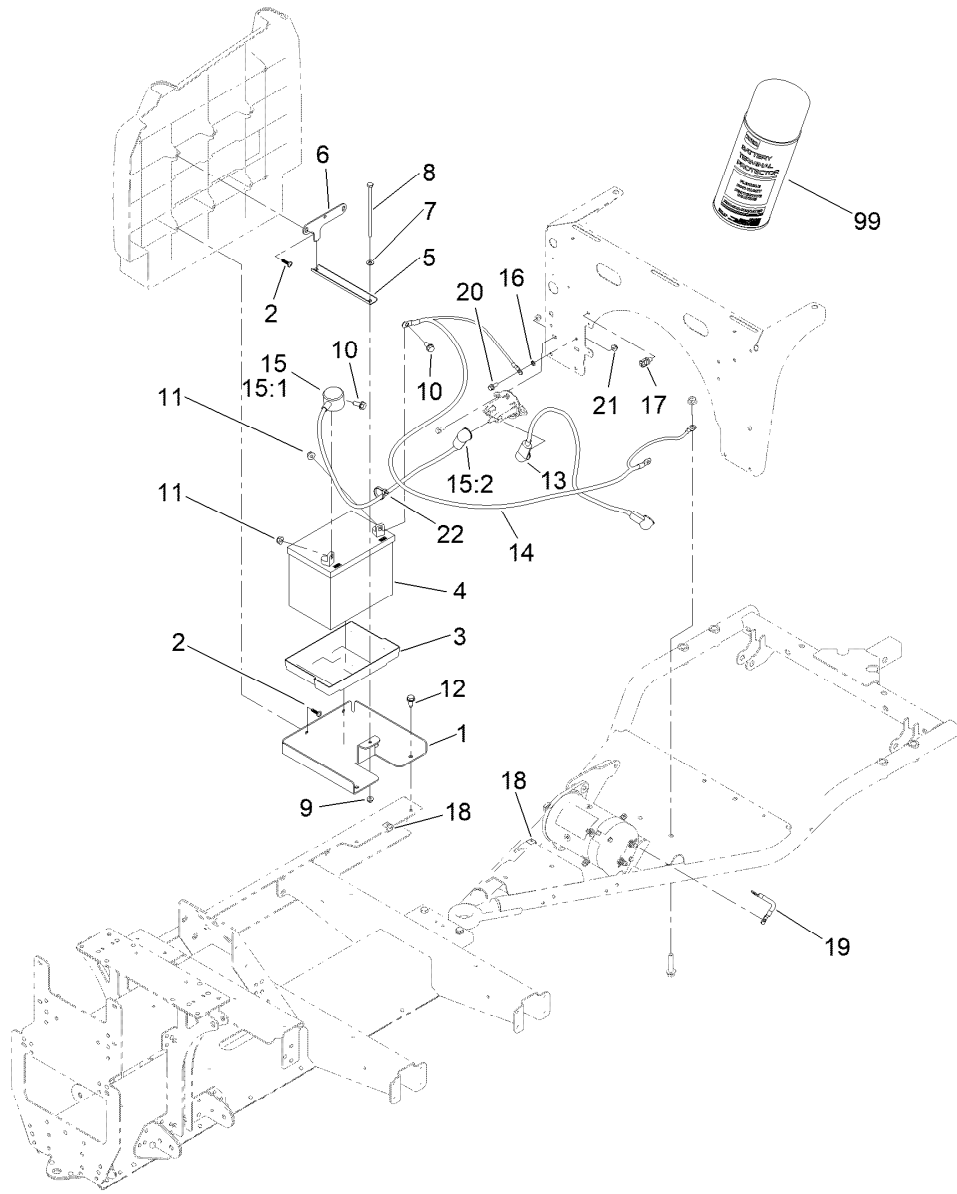
<i>Ref.</i>	<i>Part Number</i>	<i>Qty.</i>	<i>Description</i>	<i>Ref.</i>	<i>Part Number</i>	<i>Qty.</i>	<i>Description</i>
1	131-3486	1	Transaxle	14	147-2763	2	Al Wheel And Tire ASM
2	131-8570	2	Spacer-Hardened	14:1	147-2764	1	Wheel-Aluminum
4	3-7898	2	Washer-Thrust	14:1:1	147-2839	1	Cap-Aluminum Wheel
7	1-806800	2	Pin-Cotter	14:2	120-3271	1	Tire
8	133-7260-03	1	Arm-Shift	14:3	232-27	1	Stem-Valve
9	3296-27	1	Nut-Lock, NI	15	139-3603	8	Nut-Lug
10	2411-38	1	Joint-Ball	16	140-9951	2	Rear Hub ASM
11	132-6777	1	Screw-Twh Thd Roll	16:2	10-6830	4	Stud-Type, Drive
12	104-7201	1	Nut-HF, NI	17	32180-225	1	Clip-Edge, Parallel W/Tie
13	127-8897	1	Cable-Shift				

# Transaxle Assembly No. 131-3486



## Transaxle Assembly No. 131-3486 (continued)

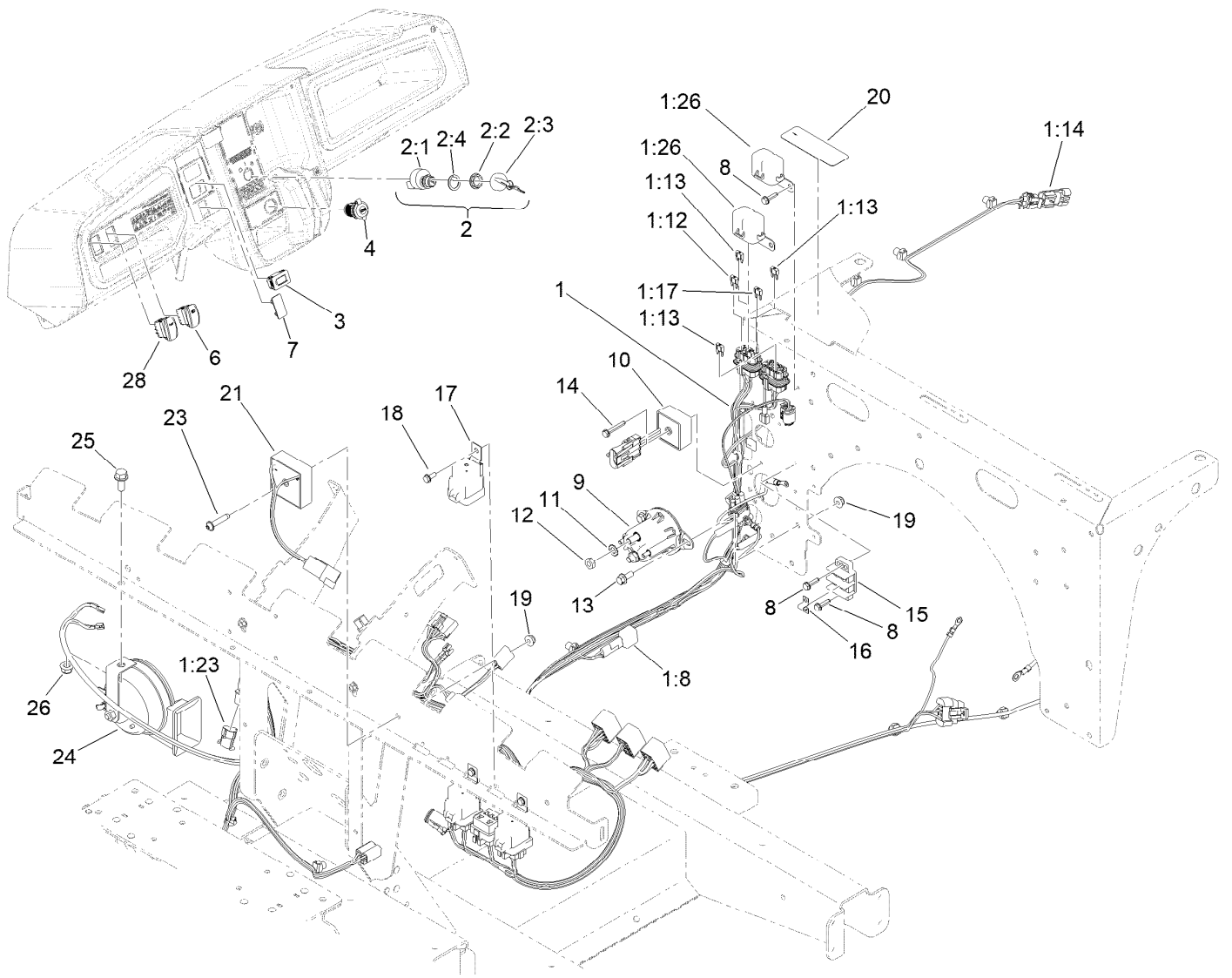
<i>Ref.</i>	<i>Part Number</i>	<i>Qty.</i>	<i>Description</i>	<i>Ref.</i>	<i>Part Number</i>	<i>Qty.</i>	<i>Description</i>
1	133-2400	1	Case-LH	26	133-2419	1	Clutch-Pin
2	133-2401	2	Seal-Oil	27	133-2420	1	Gear
3	104-1660	1	Ball-Steel	28	133-2421	2	Spacer
4	104-1661	1	Spring	29	133-2422	1	Bearing-Ball
5	104-1662	1	Gasket	30	133-2423	1	Case-Differential
6	104-1663	1	Bolt	31	133-2424	1	Set-Gear, Differential
7	133-2402	1	Case-RH	32	133-2425	1	Bearing-Ball
8	133-2403	1	Shaft-Select	33	104-1644	1	Shaft-Differential
9	133-2446	1	Seal-Oil	34	104-1645	1	Pin
10	133-2404	1	Ring-Snap	35	133-2426	1	Bearing-Ball
11	133-2405	1	Spacer	36	133-2427	1	Gear
12	104-1607	1	Seal-Oil	37	104-1649	6	Bolt
13	133-2406	1	Breather-Air	38	133-2428	2	Nut-Castle
14	133-2407	2	Plug-Drain, Oil	39	133-2429	1	Shaft-Axle, LH
15	133-2408	2	Gasket	40	133-2430	1	Shaft-Axle, RH
16	133-2409	2	Bearing-Ball	41	133-2431	2	Bearing-Ball
17	133-2410	1	Shaft-Input	42	133-2432	1	Case-Axle, LH
18	133-2411	1	Bearing-Ball	43	133-2433	1	Case-Axle, RH
19	133-2412	2	Bearing-Ball	44	133-2434	2	Ring-Snap
20	133-2413	1	Shaft-Counter	45	133-2435	1	Shaft-Shift
21	133-2414	1	Gear	46	133-2436	1	Bolt-Flange
22	133-2415	1	Gear	47	133-2437	9	Bolt-Flange
23	133-2416	1	Collar	48	133-2438	10	Bolt-Flange
24	133-2417	1	Gear	49	133-2439	2	Pipe-Knock
25	133-2418	1	Shaft-Center	50	133-2440	1	Differential ASM



## Battery and Cable Assembly

<i>Ref.</i>	<i>Part Number</i>	<i>Qty.</i>	<i>Description</i>	<i>Ref.</i>	<i>Part Number</i>	<i>Qty.</i>	<i>Description</i>
1	127-7810-03	1	Base-Battery	14	122-0638	1	Cable-Battery, Negative
2	120-2349	4	Screw	15	109-7621	1	Positive Battery Cable ASM
3	106948	1	Tray-Battery	15:1	1-543393	1	Insulator-Solenoid
4	104-8162	1	Battery	15:2	109-2407	1	Insulator-Battery
5	127-7816-03	1	Channel-Clamp, Battery	16	3255-7	1	Washer-Lock/EXT
6	127-7814-03	1	Plate-Clamp, Battery	17	32180-030	1	Clip-Tie
7	3256-22	1	Washer-Flat	18	32180-082	3	Clip-Edge W/Tie, Perpendicular
8	321-47	1	Screw-HH	19	122-1176	1	Cable-Battery, Negative
9	104-7201	1	Nut-HF, NI	20	3234-33	1	Screw-HHF
10	3234-5	2	Screw-HHF	21	104-7201	1	Nut-HF, NI
11	104-8300	2	Nut-HF, NI	22	3290-378	1	Tie-Cable
12	32144-70	2	Screw-HWHTF	99	107-0392	1	Protection-Terminal, Aerosol
13	122-0639	1	Cable-Battery, Positive				



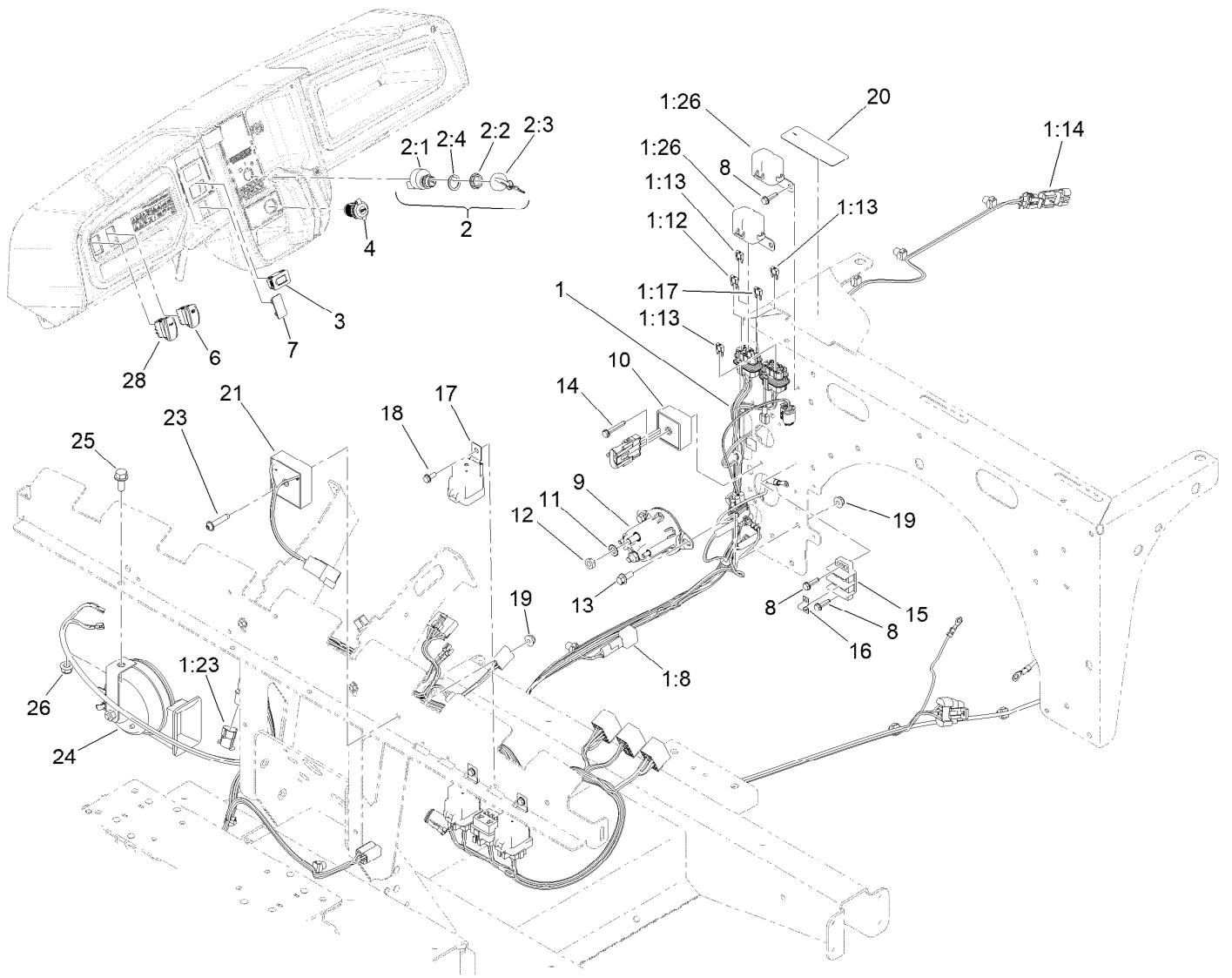


## Electrical Assembly

Ref.	Part Number	Qty.	Description	Ref.	Part Number	Qty.	Description
1	122-2510	1	Harness-Wire, Gtx, EFI	7	99-7420	1	Plug-Hole
1:8	100-4918	3	Diode	8	100-4351	5	Screw-HWH
1:12	121-8867	1	Fuse-Mini Blade, 15 Amp	9	114-3315	1	Solenoid
1:13	121-8866	3	Fuse-Mini Blade, 10 Amp	10	119-9492	1	Regulator-Voltage
1:14	32160-093	1	Connector-Mp280, 2M	11	3255-8	2	Washer-Lock
1:17	121-8868	1	Fuse-Mini Blade, 20 Amp	12	3220-2	2	Nut-Jam
1:23	32180-056	1	Cap	13	3234-33	2	Screw-HHF
1:24	32180-156	1	Cap-Plug, 6 Way ●	14	100-4352	1	Screw-HWH
1:26	32180-179	2	Cover-Bussman	15	42862	1	Block-Terminal, Ground
2	122-1145	1	Ignition Switch ASM	16	42863	1	Strip-Jumper
2:1		1	Switch-Ignition ■	17	99-7430	3	Relay-Mini
2:2	108-8660	1	Nut-Mounting	18	32144-1	3	Screw-Taptite
2:3	106-5270	1	Ignition Key Set	19	104-7201	3	Nut-HF, NI
2:4	108-8659	1	Washer-Backup	20	145-2274	1	Decal-Fuse Block EFI
3	120-2244	1	Hourmeter	21	145-8025	1	Timer-Delay, 600 Sec, 1Amp
4	131-8388	1	Socket-USB	23	132-6777	1	Screw-Twh Thd Roll
6	144-2405	1	Switch-Rocker, On-None-On	24	110-2594	1	Horn

● Not illustrated

■ Not serviced separately

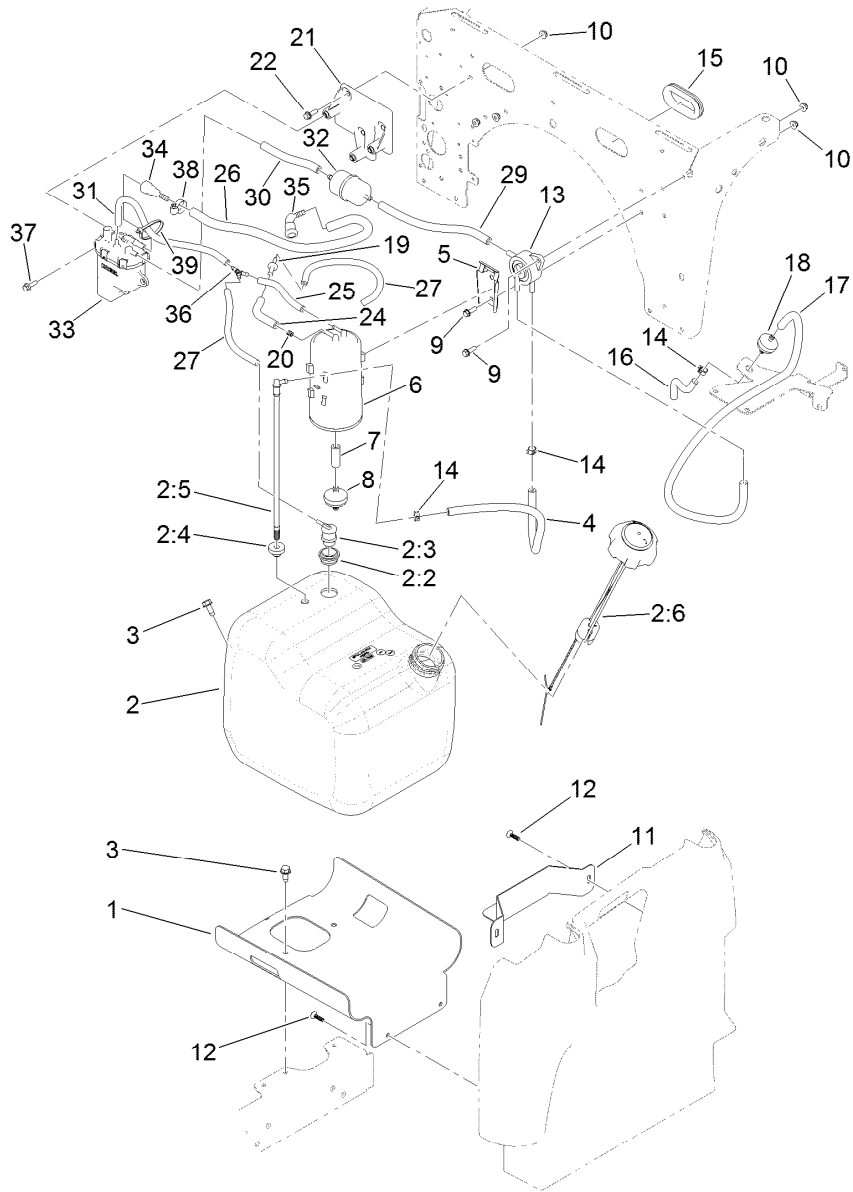


## Electrical Assembly (continued)

<i>Ref.</i>	<i>Part Number</i>	<i>Qty.</i>	<i>Description</i>	<i>Ref.</i>	<i>Part Number</i>	<i>Qty.</i>	<i>Description</i>
25	3234-5	1	Screw-HHF	26	104-8300	1	Nut-HF, NI
				28	144-2415	1	Switch-Rocker, (On)-None-Off

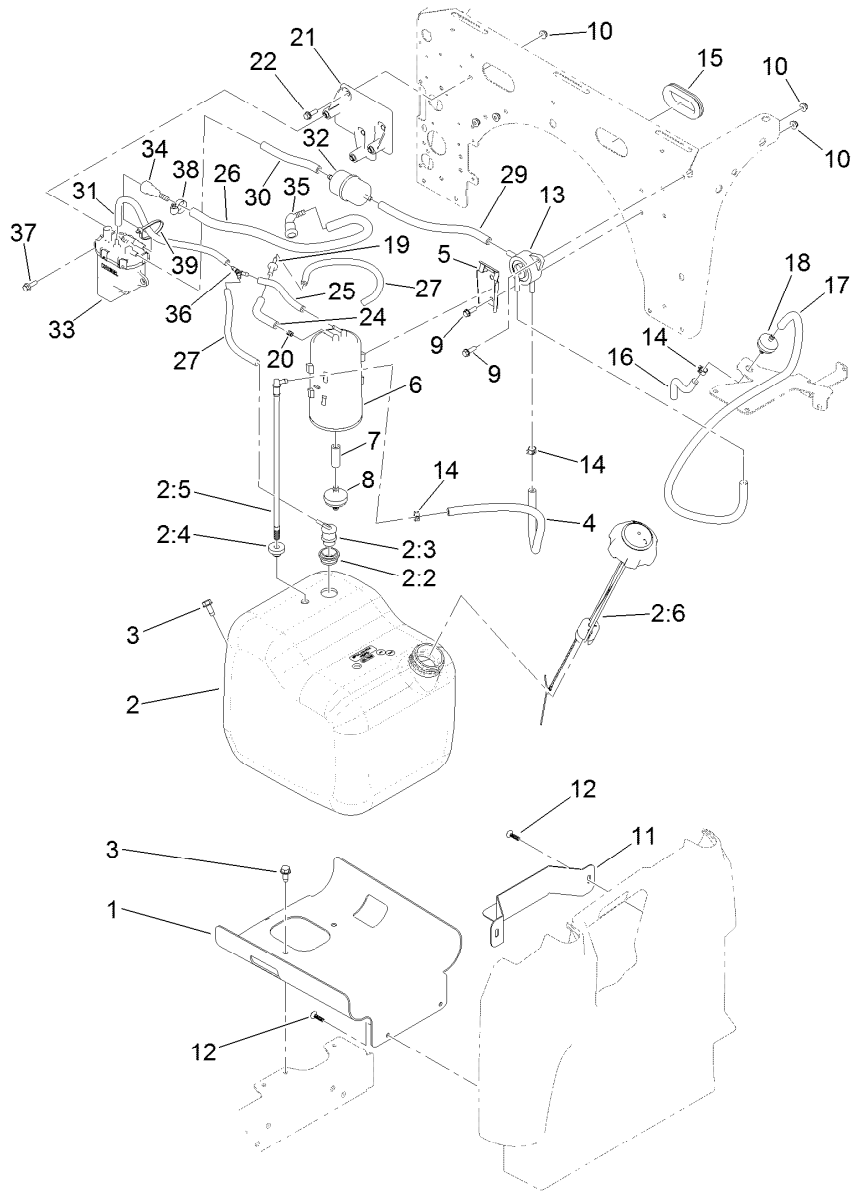
● Not illustrated

■ Not serviced separately



## Fuel System Assembly

Ref.	Part Number	Qty.	Description	Ref.	Part Number	Qty.	Description
1	127-7739-03	1	Mount-Tank, Fuel	16	140-4825	1	Hose-Pulse (.212 X 5.00, J200, LP)
2	127-7849	1	Fuel Tank ASM	17	109-3491	1	Hose-Fuel
2:2	114-0284	1	Grommet	18	56-6360	1	Filter-Fuel
2:3	114-0285	1	Valve-Rollover	19	117-5399	1	Adaptor-Orifice
2:4	46-6560	1	Bushing	20	120-2038	1	Cartridge-Valve, Check
2:5	115-9044	1	Pipe-Stand	21	136-6346	1	Bracket-Pump, Fuel
2:6	131-8357	1	Cap-Gauge	22	115-5103	3	Screw-HHF
3	32144-70	3	Screw-HWHTF	24	114-3765	1	Hose-Fuel
4	114-4428	1	Hose-Fuel	25	68-3632	1	Hose-Fuel
5	114-0292	1	Bracket-Canister, Carbon	26	136-6343	1	Hose-Fuel
6	127-8685	1	Canister-Carbon	27	136-6345	2	Hose-Fuel
7	106-5317	1	Hose-Fuel	29	109-0282	1	Hose-Fuel
8	115-7854	1	Filter-Fuel, Inline	30	109-0650	1	Hose-Fuel
9	32105-15	4	Screw-HWH	31	136-6344	1	Hose-Fuel
10	104-7201	7	Nut-HF, NI	32	94-9695	1	Filter-Fuel
11	127-7845-05	1	Bracket-Fuel Tank	33	136-6347	1	Pump-Fuel, EFI
12	120-2349	4	Screw	34	125-2921	1	Fitting-Fuel
13	131-8526	1	Pump-Fuel	35	121-5585	1	Fitting-Fuel
14	2412-98	7	Clamp-Hose	36	136-6339	1	Fitting-Fuel
15	240-12	1	Grommet-Rubber	37	33103-020	3	Screw-HHF



## Fuel System Assembly (continued)

<i>Ref.</i>	<i>Part Number</i>	<i>Qty.</i>	<i>Description</i>
38	2412-36	2	Clamp-Hose
39	3290-378	1	Tie-Cable

# Attachments and Accessories

## For 07059LT Workman GTX EFI Utility Vehicle

<b>Product Name</b>	<b>Model/Part</b>
Workman GTX 2-Person Canopy .....	07921
Steel Cargo Bed Base, Workman GTX Series Utility Vehicle .....	07450
Steel Cargo Bed Solid Sides Kit, Workman GTX Series Utility Vehicle .....	07451
Rear Attachment Receiver, Workman GTX Series Utility Vehicle with Steel Cargo Bed .....	07186
12V Electric Lift Kit.....	07144
Brake and Signal LED Light Kit, Workman GTX Gasoline Utility Vehicle or Serial Number 404400000 and After Workman GTX Electric Utility Vehicle .....	140-4785
Brush Guard Kit .....	07145
LED Homologation Lamp Kit.....	147-2798
Front Hitch Kit, Workman GTX Series Utility Vehicles with Brush Guard .....	07146
Front Hitch Kit, Workman GTX or MDX Series Utility Vehicles without Brush Guard .....	07147
Steel Flat Bed Kit .....	07148
Storage Box Kit.....	07156
6in L-Track Kit.....	07158
2in L-Track Kit.....	07159
Hose Reel Mounting Kit .....	07027
Horn Kit.....	133-3016
Reverse Alarm Kit.....	133-3018
Power Point Kit .....	131-8550
Parking Brake Alarm Kit.....	133-3019
Trash Can Mounting Kit .....	07028
Spark Arrestor Screen Kit .....	133-7109
Bed Rack Kit.....	07031
Cab Kit.....	07142
Mount-Ball .....	133-7116
Road Light and Homologation Kit .....	133-7128
12V Electric Bed Lift Kit .....	07167
MVP Kit 400 Hour .....	136-6280
Cab Mount Kit, Workman GTX Utility Vehicle with Extended Flatbed .....	133-7198
Service Hood ASM .....	133-7209
ROPS Kit .....	07032
Cargo Bed Kit .....	07046
Bench Seat Base Kit.....	07047
Bucket Seat Base Kit.....	07048
Small Bedrack Mount Grip Kit .....	136-6311
Large Bedrack Mount Grip Kit.....	136-6312
Wireless Hourmeter Kit.....	136-6323
Plate-Skid .....	137-2886-03
Switch-Ignition ASM, Key1 .....	138-3500
Switch-Ignition ASM, Key2 .....	138-3501
Switch-Ignition ASM, Key3 .....	138-3502
Switch-Ignition ASM, Key4 .....	138-3503
Switch-Ignition ASM, Key5 .....	138-3504
Glove Box Cover Kit .....	137-2883
Door Mount Mirror Kit.....	136-1997

## Attachments and Accessories (continued)

Folding Windshield Kit, Workman GTX Utility Vehicle with Canopy .....	07923
Shim-Limiter .....	119-0807
Exterior Mirror Kit.....	130-5448
Interior Mirror Kit.....	130-5449
Beacon Kit .....	130-5484
Work Light Kit .....	130-5485
Windshield Washer Fluid Kit, 2015 and after Workman MD/HD Series Utility Vehicle.....	130-5615
Small Seat Cover.....	131-6690
Wide Angle Mirror Kit.....	133-1009
Wide Angle Mirror Kit.....	133-1038
Bracket-Mount, Radio.....	133-7111-03
GTX Ball Cage ROPS, Certified.....	07161
Canopy W/ ROPS.....	07169
Canopy Mount Kit, Workman GTX Utility Vehicle with Extended Flatbed .....	07199

**Notes:**



**Count on it.**