



**Count on it.**

**Parts Catalog**

**STX-26  
Stump Grinder**

Model No. 23208—Serial No. 405700000 and Up



# Ordering Replacement Parts

To order replacement parts, please supply the part number, the quantity, and the description of each part desired.

## Understanding Reference Numbers

Each identified part in an illustration has a reference number. The reference number for a part also appears in the parts list, along with other information about the part.

This catalog uses two special reference number formats, one to indicate parts in a service assembly and another to indicate the quantity of a given part in an illustration.

## Service Assembly Reference Numbers

Parts in service assemblies have reference numbers in the form a:b. The a represents the reference number of the entire service assembly and the b represents a sequential number unique to each part within the service assembly.

For example, a wheel assembly might be identified by reference number 6, the tire by 6:1, the valve by 6:2, and the wheel by 6:3. When you order the assembly identified by reference number 6, you receive all parts identified by reference numbers 6:1, 6:2, and 6:3. However, you may also order any part individually. Reference numbers of this type appear in illustration and in parts lists.

## Reference Numbers Indicating Quantity

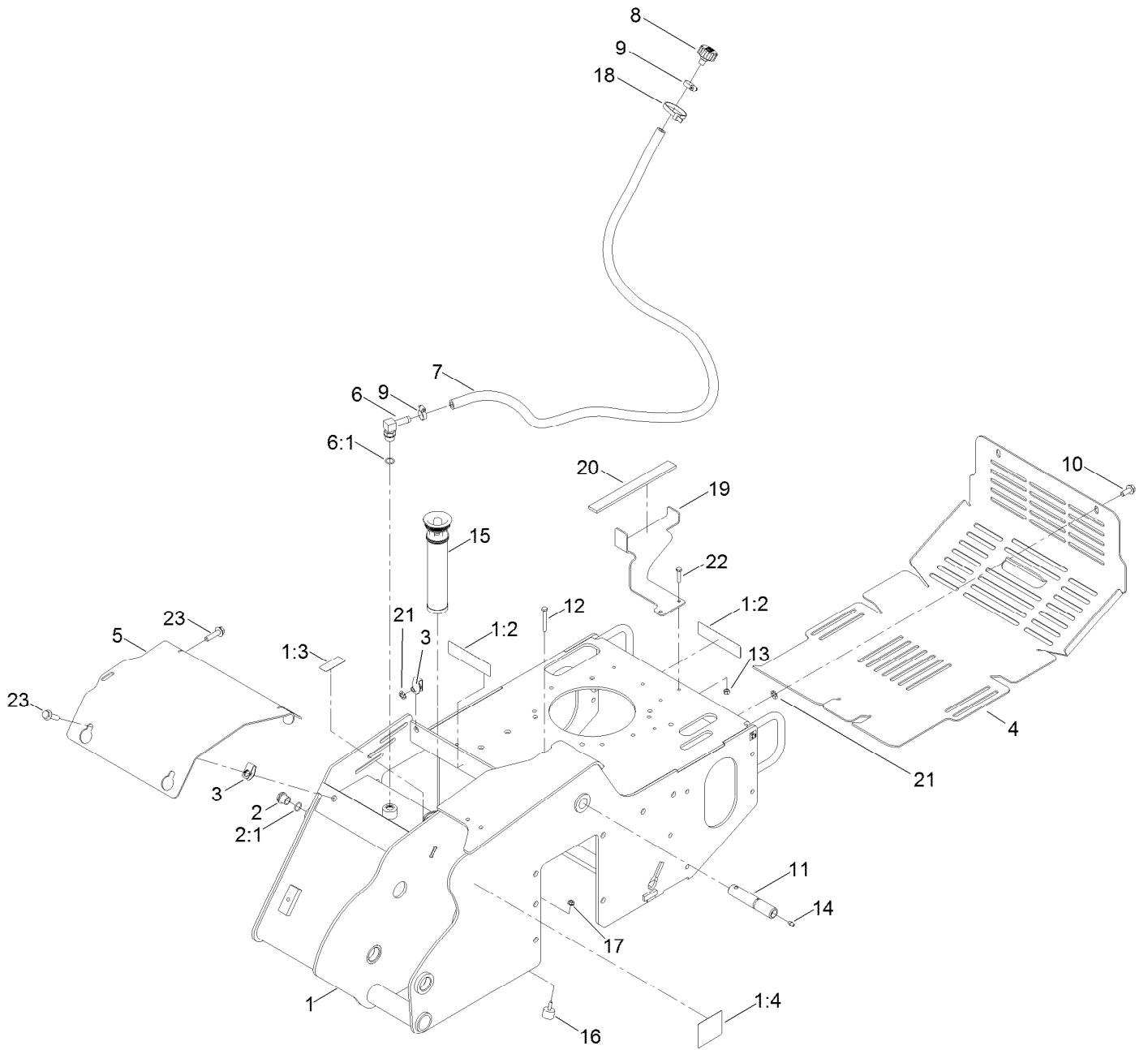
In an illustration, if a reference number indicates more than one part, the reference number has the form nX y. The n represents the quantity of the part, the X is the multiplication symbol, and the y represents the reference number.

For example, in an illustration, the reference number 2X 37 means that two of the parts identified by reference number 37 are indicated.

# Contents

Frame Assembly.....	4
Track and Drive Assembly.....	6
Hydraulic Pump Assembly No. 117-6409.....	8
Hydraulic Pump Assembly No. 117-6410.....	10
Hydraulic Motor Assembly No. 119-4557.....	12
Engine Assembly.....	14
Hydraulic Gear Pump Assembly No. 117-6444.....	16
Control Assembly.....	18
Frame and Cutter Wheel Assembly.....	20
Hydraulic Cylinder Assembly No. 117-6441.....	22
Hydraulic Cylinder Assembly No. 121-1955.....	24
Hydraulic Motor Assembly No. 127-9603.....	26
Tower and Fuel Tank Assembly.....	28
Control Valve Assembly.....	30
Control Valve Assembly No. 119-4585.....	31
Cutter Wheel Valve Assembly No. 119-4586.....	32
Two-Button Handle Grip Assembly No. 119-4587.....	33
Oil Cooler Assembly.....	34
Hydraulic Hose Routing Assembly.....	36
Battery and Electrical Assembly.....	38
Attachments and Accessories.....	40

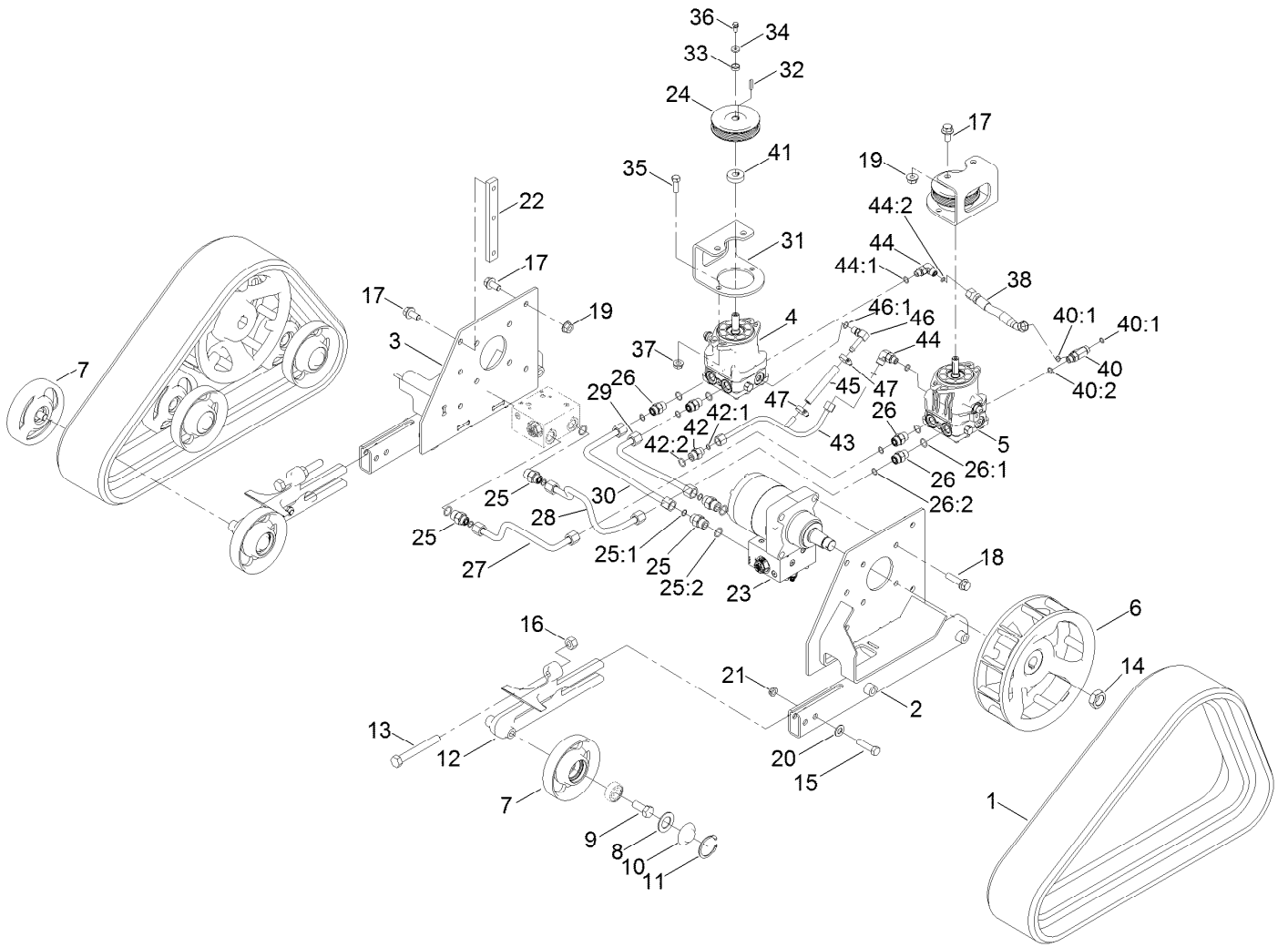
# Frame Assembly



## Frame Assembly (continued)

<i>Ref.</i>	<i>Part Number</i>	<i>Qty.</i>	<i>Description</i>	<i>Ref.</i>	<i>Part Number</i>	<i>Qty.</i>	<i>Description</i>
1	127-9602	1	Main Frame ASM	10	108-1531	2	Screw-HHF
1:2	100-4650	1	Decal-Warning	11	120-7352	1	Pin-Pivot
1:3	93-7814	2	Decal-Danger	12	321-18	1	Screw-HH
1:4	93-6686	1	Decal-Oil, HYD	13	3296-42	3	Nut-Lock, NI
2	114-3075	1	Sight Glass ASM	14	302-5	1	Fitting-Grease
2:1	237-79	1	O-Ring	15	114-3039	1	Filter-Tank, In
3	140-1146	5	Nut-Clip, U	16	1-523420	1	Bumper
4	119-5106-01	1	Cover-Rear	17	32128-33	1	Nut-HF
5	119-4566-03	1	Plate-Cover, Front	18	3334-945	1	Tie-Cable
6	354-120	1	Fitting-Elbow, 90	19	119-5091-01	1	Bracket-Tank
6:1	237-79	1	O-Ring	20	117-6417	1	Pad-Foam
7	114-3042	1	Hose-Breather	21	140-1144	5	Nut-Push
8	68-6150	1	Breather	22	321-8	2	Screw-HH
9	2412-36	2	Clamp-Hose	23	33105-040	3	Screw-HHF

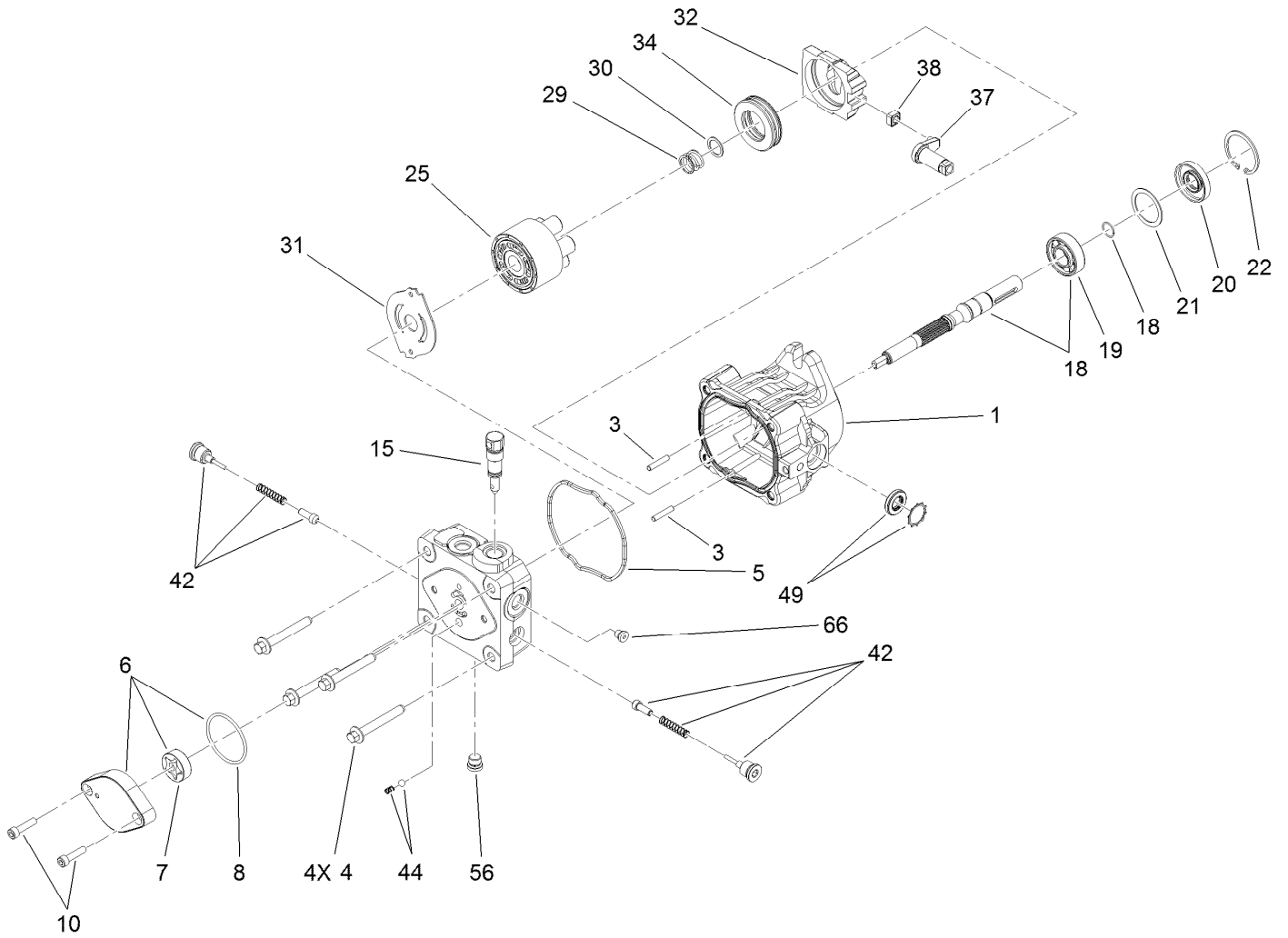
# Track and Drive Assembly



## Track and Drive Assembly (continued)

<i>Ref.</i>	<i>Part Number</i>	<i>Qty.</i>	<i>Description</i>	<i>Ref.</i>	<i>Part Number</i>	<i>Qty.</i>	<i>Description</i>
1	112-4816	2	Track-Rubber	26:2	237-79	1	O-Ring
2	114-2992-03	1	Frame-Track, LH	27	119-4581	1	Tube-HYD
3	114-2993-03	1	Frame-Track, RH	28	119-4582	1	Tube-HYD
4	117-6409	1	RH HYD Pump ASM	29	119-4583	1	Tube-HYD
5	117-6410	1	LH HYD Pump ASM	30	119-4584	1	Tube-HYD
6	117-6426-03	2	Wheel-Drive	31	115-1289-03	2	Bracket-Mount, Pump
7	138-3139	12	Tensioner Wheel ASM	32	80-6090	2	Key-Pump
8	106-7585	12	Gasket-Bogie	33	108-4211	2	Bushing
9	327-4	12	Screw-HH	34	73-3580	2	Washer
10	106-7557	12	Cap-Wheel, Bearing	35	324-5	4	Screw-HH
11	106-7595	12	Ring-Snap, Internal	36	33103-016	2	Screw-HHF
12	114-3077-03	2	Tensioner-Track	37	32128-42	4	Nut-HF
13	112-4874	2	Screw-HH, TAP	38	115-1297	1	Hose-HYD
14	106-8159	2	Nut-Lock	40	340-86	1	Fitting-Tee
15	325-8	4	Screw-HH	40:1	237-22	2	O-Ring
16	3217-11	2	Nut-Hex	40:2	237-42	1	O-Ring
17	3234-6	14	Screw-HHF	41	115-4002	2	Spacer
18	3234-27	8	Screw-HHF	42	340-3	1	Fitting-Straight
19	32128-49	8	Nut-HHF	42:1	237-22	1	O-Ring
20	3256-26	4	Washer-Flat	42:2	237-79	1	O-Ring
21	3296-45	4	Nut-Hex	43	117-1305	1	Tube-HYD
22	114-3091	2	Bar-Thread	44	340-77	2	Fitting-Elbow, 90 DEG
23	119-4557	2	HYD Motor ASM	44:1	237-22	1	O-Ring
24	115-1298	2	Sheave	44:2	237-42	1	O-Ring
25	340-6	4	Fitting-Straight	45	115-4083	1	Hose
25:1	237-30	1	O-Ring	46	100-4887	1	Fitting-Elbow, 90
25:2	237-80	1	O-Ring	46:1	237-42	1	O-Ring
26	340-4	4	Fitting-Straight	47	2412-36	2	Clamp-Hose
26:1	237-30	1	O-Ring				

# Hydraulic Pump Assembly No. 117-6409



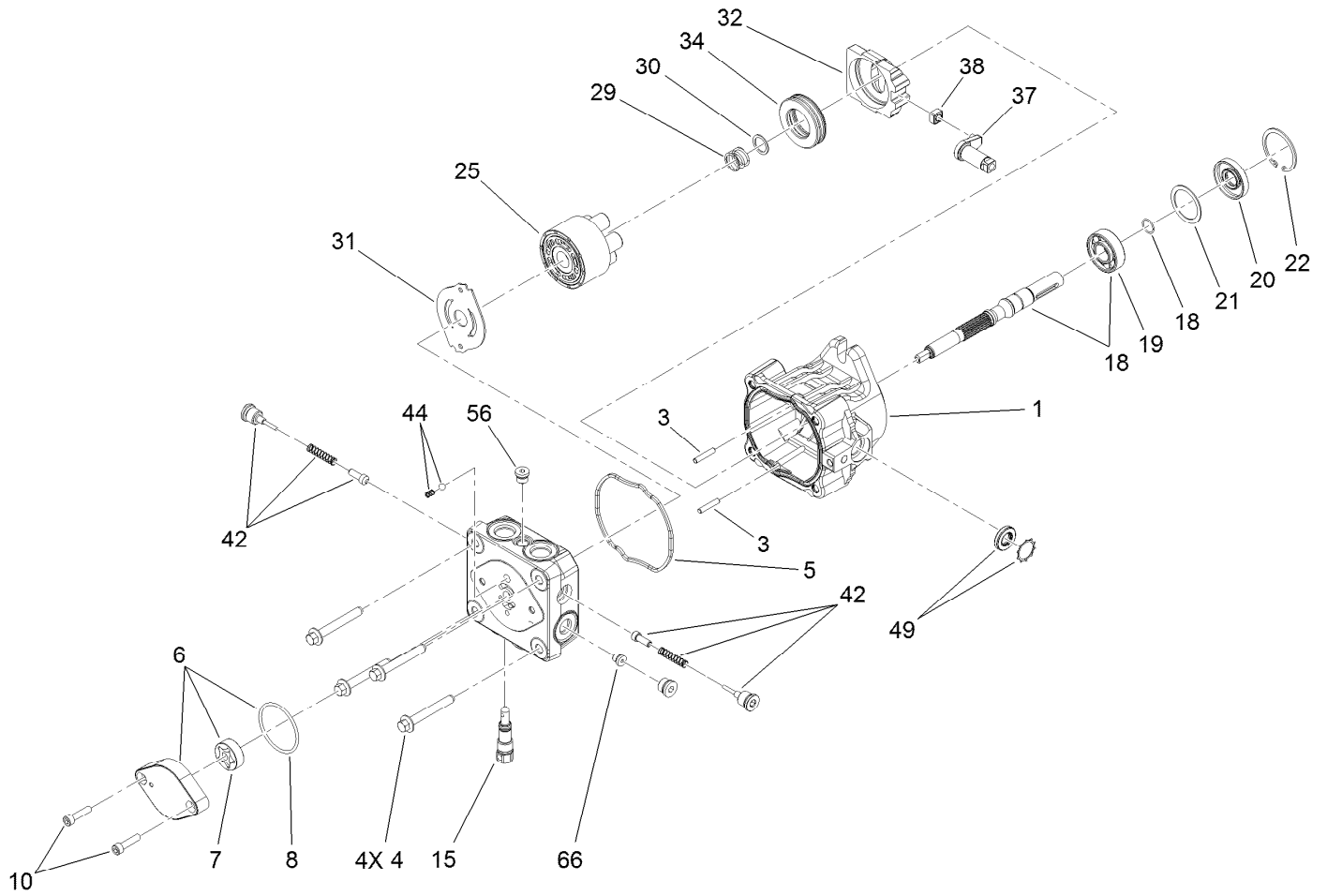


# Hydraulic Pump Assembly No. 117-6409 (continued)

<i>Ref.</i>	<i>Part Number</i>	<i>Qty.</i>	<i>Description</i>	<i>Ref.</i>	<i>Part Number</i>	<i>Qty.</i>	<i>Description</i>
1	115-4464	1	Housing Kit	29	94-1936	1	Spring-Block
3	106-8753	2	Pin-Headless, Straight	30	94-1937	1	Washer-Thrust
4	106-8754	4	Bolt-HF	31	105-6185	1	Plate-Valve
5	106-8755	1	O-Ring	32	94-1907	1	Swashplate-Variable
6	106-8756	1	Charge Pump Kit	34	94-6922	1	Bearing-Thrust
7	104-2122	1	Gerotor ASM	37	115-4458	1	Arm-Trunnion, Tapered Square
8	106-8757	1	O-Ring	38	94-1910	1	Guide-Slot
10	104-2111	2	Capscrew	42	98-3252	2	Valve-Check (W/Poppet)
15	106-8759	1	Bypass Valve Kit	44	106-8760	1	Charge Relief Valve Kit
18	103-2664	1	Input Shaft Kit	49	114-8155	1	Trunnion Seal Kit
19	104-5311	1	Bearing-Ball	56	106-8762	1	Plug-HSH
20	104-5310	1	Seal-Lip	66	106-8763	1	Plug-HSH
21	104-5308	1	Spacer	99	105-6184	1	Seal Overhaul Kit ●
22	104-5309	1	Ring-Retaining				
25	103-2666	1	Cylinder Block Kit				

● Not illustrated

# Hydraulic Pump Assembly No. 117-6410



# Hydraulic Pump Assembly No. 117-6410 (continued)

<i>Ref.</i>	<i>Part Number</i>	<i>Qty.</i>	<i>Description</i>	<i>Ref.</i>	<i>Part Number</i>	<i>Qty.</i>	<i>Description</i>
1	115-4464	1	Housing Kit	29	94-1936	1	Spring-Block
3	106-8753	2	Pin-Headless, Straight	30	94-1937	1	Washer-Thrust
4	106-8754	4	Bolt-HF	31	105-6185	1	Plate-Valve
5	106-8755	1	O-Ring	32	94-1907	1	Swashplate-Variable
6	106-8756	1	Charge Pump Kit	34	94-6922	1	Bearing-Thrust
7	104-2122	1	Gerotor ASM	37	115-4458	1	Arm-Trunnion, Tapered Square
8	106-8757	1	O-Ring	38	94-1910	1	Guide-Slot
10	104-2111	2	Capscrew	42	98-3252	2	Valve-Check (W/Poppet)
15	106-8759	1	Bypass Valve Kit	44	106-8760	1	Charge Relief Valve Kit
18	103-2664	1	Input Shaft Kit	49	114-8155	1	Trunnion Seal Kit
19	104-5311	1	Bearing-Ball	56	106-8762	1	Plug-HSH
20	104-5310	1	Seal-Lip	66	106-8763	1	Plug-HSH
21	104-5308	1	Spacer	99	105-6184	1	Seal Overhaul Kit ●
22	104-5309	1	Ring-Retaining				
25	103-2666	1	Cylinder Block Kit				

● Not illustrated



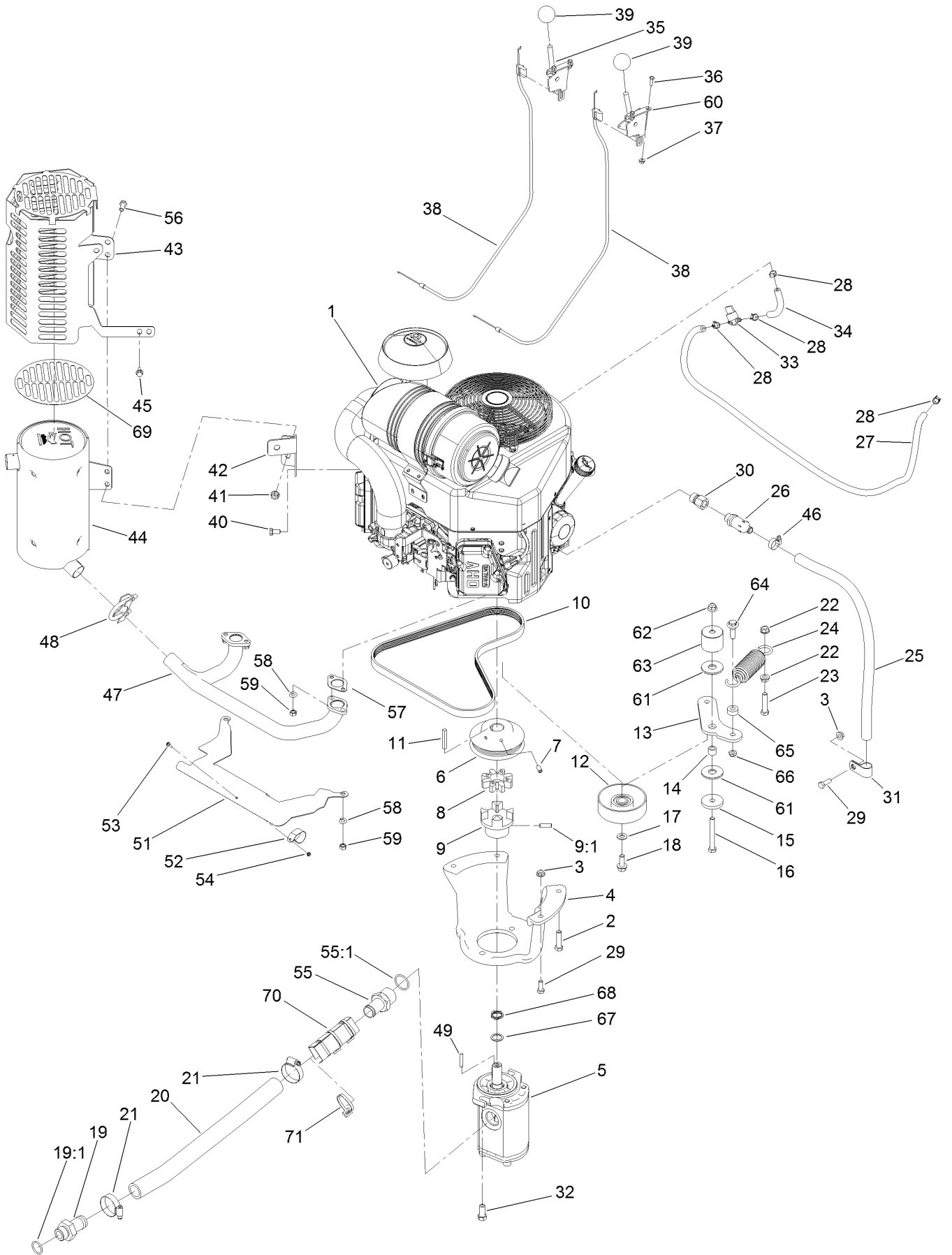
# Hydraulic Motor Assembly No. 119-4557 (continued)

<i>Ref.</i>	<i>Part Number</i>	<i>Qty.</i>	<i>Description</i>	<i>Ref.</i>	<i>Part Number</i>	<i>Qty.</i>	<i>Description</i>
1	119-4599	1	Counterbalance Valve ASM	7	100-6131	1	Seal Kit ●
1:1	119-4608	2	Valve-Cartridge	7:1		1	Ring-Back Up ■
2	119-4611	4	Bolt-HSH	7:2		1	Washer-Back Up ■
3	3257-42	1	Key-Woodruff	7:3		1	Seal-Shaft ■
4	120-0691	2	O-Ring	7:4		5	Seal-Ring ■
5	76-0860	1	Shaft-Coupling	7:5		1	Seal-Commutator ■
6	120-5394	1	Motor Housing ASM	7:6		1	Seal-Dirt And Water ■

● Not illustrated

■ Not serviced separately

# Engine Assembly



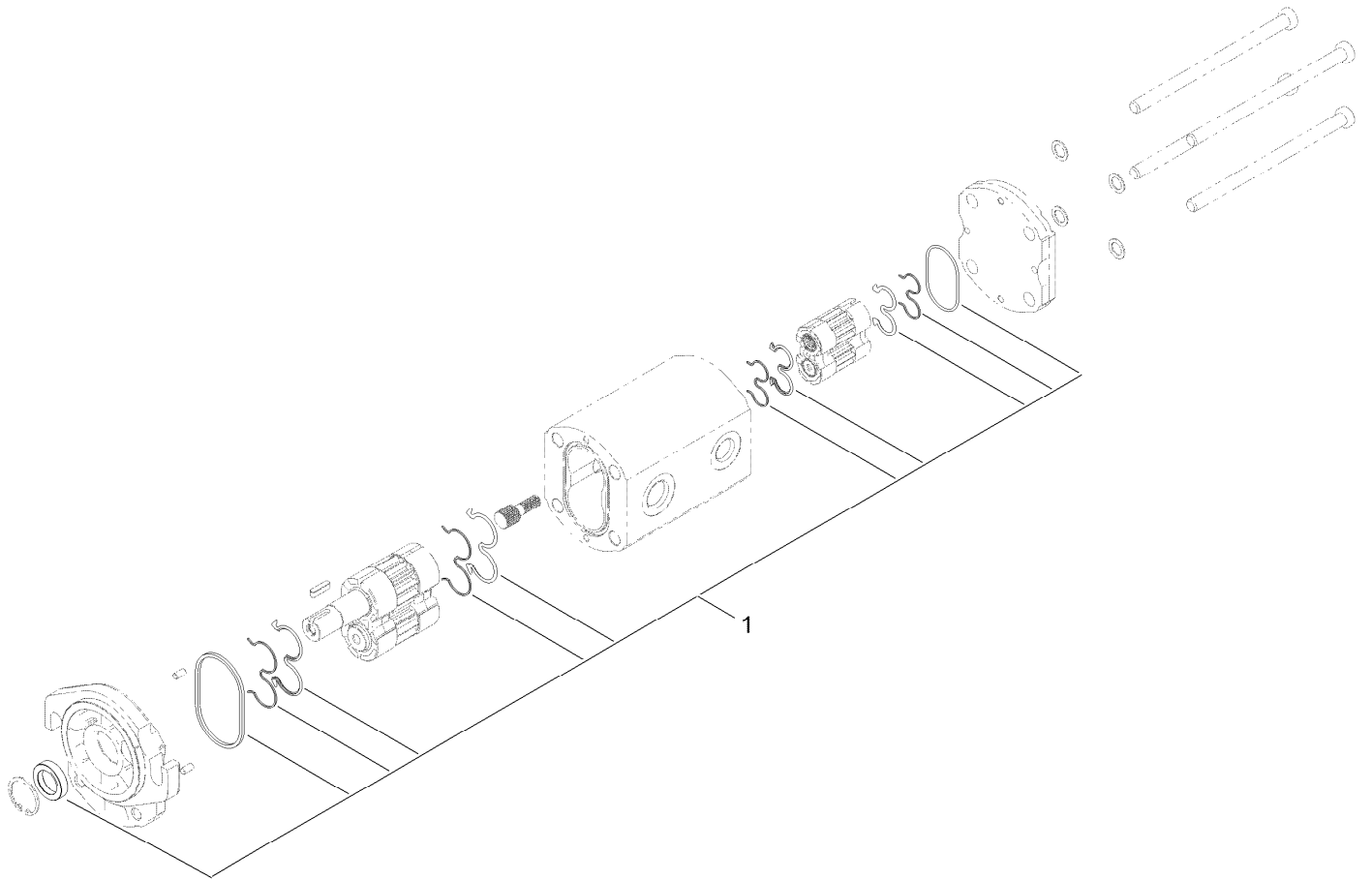
## Engine Assembly (continued)

<i>Ref.</i>	<i>Part Number</i>	<i>Qty.</i>	<i>Description</i>	<i>Ref.</i>	<i>Part Number</i>	<i>Qty.</i>	<i>Description</i>
1		1	Engine-Kawasaki, Fx730V ■●	35	108-9730	1	Lever-Control
2	323-8	4	Screw-HH	36	3290-134	4	Screw
3	32128-20	3	Nut-HF	37	32128-17	4	Nut-Lock, Flange
4	115-1480-03	1	Mount-Pump	38	115-1211	2	Cable-Control
5	117-6444	1	Gear Pump ASM	39	233-42	2	Knob
6	114-8559-03	1	Pulley-Engine	40	33114-016	2	Screw-HH
7	3246-6	2	Screw-Set, HSH	41	112-2844	3	Nut-HF
8	93-8827	1	Coupler-Spider	42	115-9233-03	1	Bracket-Mount, Muffler
9	114-2933	1	Coupler-Flex	43	137-4879-03	1	Guard-Muffler
9:1	100-7594	1	Screw-Set	44	120-7536	1	Muffler
10	114-2991	1	Belt-V	45	33103-016	1	Screw-HHF
11	608006	1	Key-Square	46	2412-36	1	Clamp-Hose
12	95-8802	1	Pulley-Idler	47	120-7535	1	Manifold, Muffler
13	125-0252	1	Arm-Idler	48	2112-11	1	Clamp-Muffler
14	1-413088	1	Bushing-Lever, Lift	49	27-8590	1	Key-Square
15	110-9981	1	Washer-Plain	51	115-9227	1	Plate-Shield, Heat
16	323-14	1	Screw-HH	52	115-6488	1	Clamp
17	3256-24	1	Washer-Flat	53	115-6494	1	Screw-Pan
18	3234-11	1	Screw-HHF	54	115-6495	1	Nut-Hex
19	99-3017	1	Fitting	55	354-78	1	Fitting-STR
19:1	237-81	1	O-Ring	55:1	237-146	1	O-Ring
20	114-2917	1	Hose-Suction	56	33114-020	3	Screw-HH
21	2412-111	2	Clamp-Hose, W/Liner	57	1-653313	2	Gasket-Exhaust
22	3290-357	2	Nut-HSF	58	115-6496	4	Washer-Spring
23	323-9	1	Screw-HH	59	115-6611	4	Nut-Hex
24	121-4523	1	Spring-Extension	60	110-5547	1	Lever-Control
25	99-1356	1	Hose-Vent	61	114-0463	2	Washer-Friction, Composite
26	92-6877	1	Valve-Drain, Oil	62	104-8301	1	Nut-HF, NI
27	110-3372	1	Hose-Fuel	63	125-0251	1	Spacer-Idler
28	2412-98	4	Clamp-Hose	64	614672	1	Screw-Shoulder, HWH
29	322-4	3	Screw-HH	65	104-8426	1	Spacer
30	103-1966	1	Adapter-STR	66	3296-59	1	Nut-Lock, NI
31	2412-81	1	Clamp-R	67	115-7210	1	Washer-Thrust
32	324-4	2	Screw-HH	68	121-4517	1	Washer-Wave
33	1-603770	1	Valve-Fuel	69	131-0604	1	Guard-Foil
34	109-0295	1	Hose-Fuel	70	AU112950	2	Protector-Hose
				71	3290-378	3	Tie-Cable

● Not serviced separately

■ Obtain parts from [www.kawpower.com](http://www.kawpower.com)

# Hydraulic Gear Pump Assembly No. 117-6444

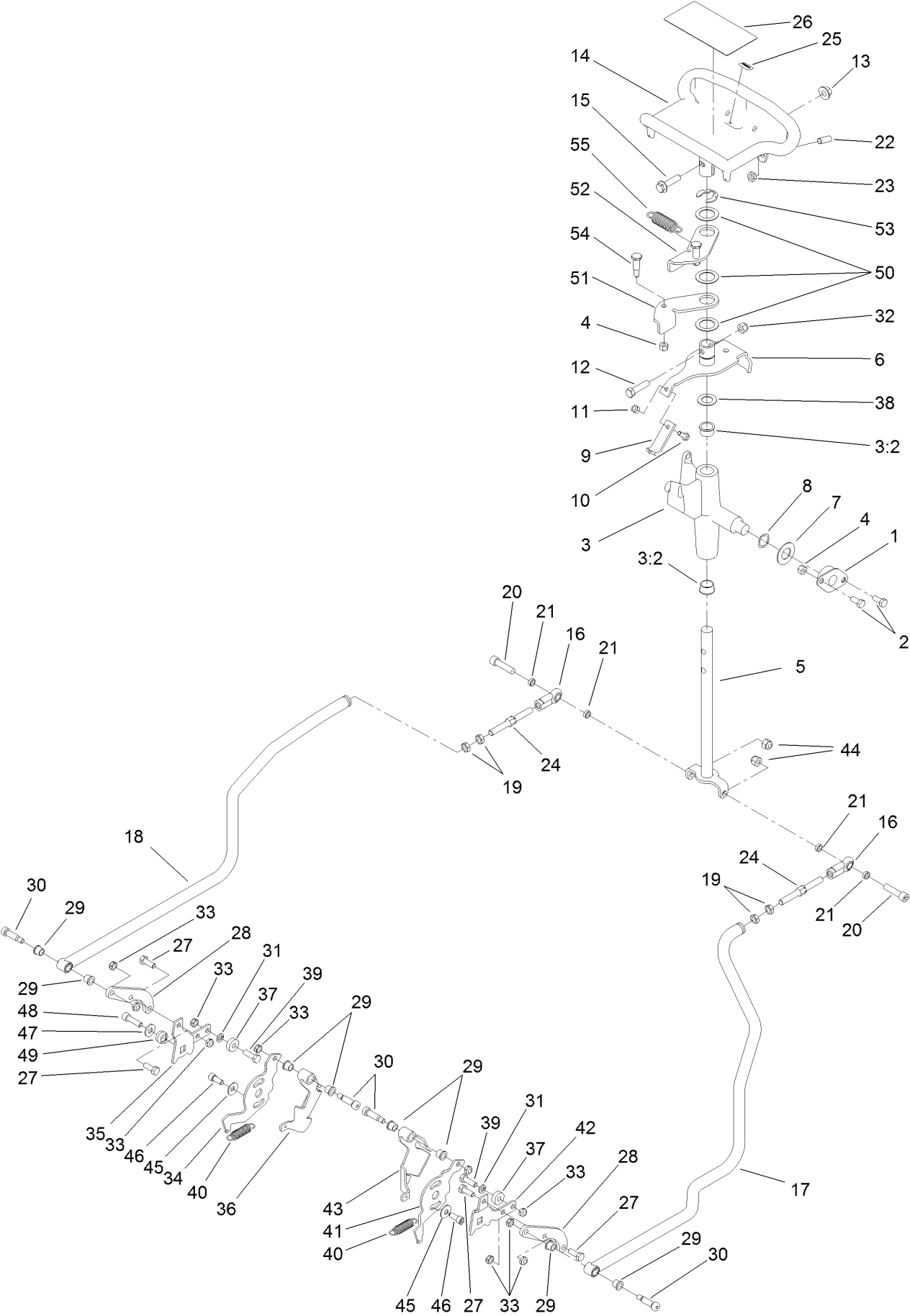




# Hydraulic Gear Pump Assembly No. 117-6444 (continued)

<i>Ref.</i>	<i>Part Number</i>	<i>Qty.</i>	<i>Description</i>
1	138-5210	1	Kit-Seal, Pump

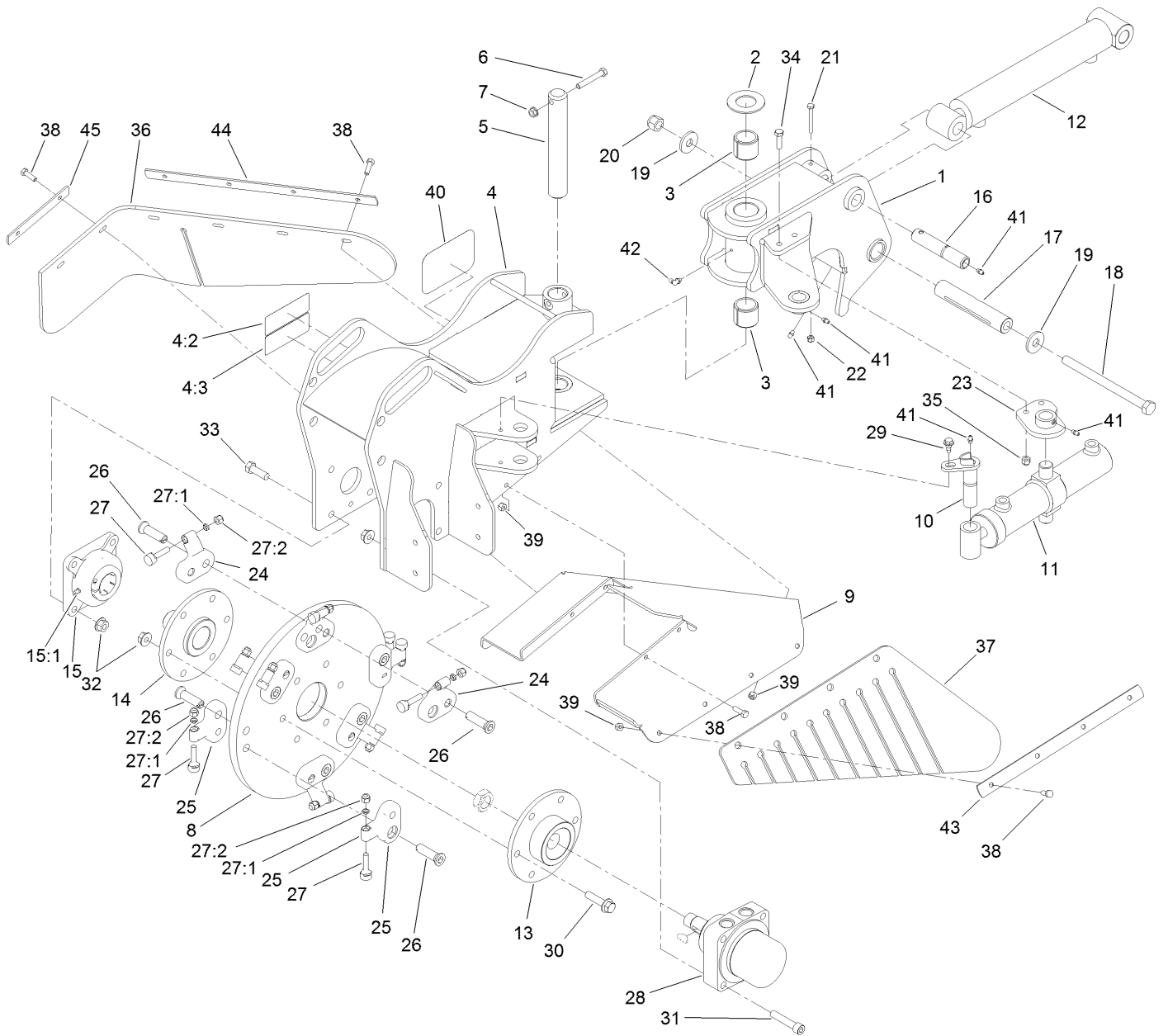
# Control Assembly



## Control Assembly (continued)

<i>Ref.</i>	<i>Part Number</i>	<i>Qty.</i>	<i>Description</i>	<i>Ref.</i>	<i>Part Number</i>	<i>Qty.</i>	<i>Description</i>
1	27-2320	2	Bearing	28	115-1290	2	Plate-Adapter, Control, RH
2	322-3	4	Screw-HH	29	256-116	8	Bushing-Flange
3	106-5737	1	Control Support ASM	30	114-8629	4	Bolt-Shoulder
3:2	256-252	2	Bearing-Flange	31	3253-4	2	Washer-Lock
4	3296-29	6	Nut-Lock, NI	32	3296-39	1	Nut-Lock, NI
5	117-6335	1	Rod-Drive	33	3296-47	10	Nut-Lock,NI
6	112-2783	1	Lever-Pivot	34	115-6535	1	Plate-Base, RH
7	3256-39	2	Washer-Flat	35	115-6536	1	Plate-Arm, Return
8	95-3703	2	Washer-Spring, Wave	36	115-6636	1	Pivot-RH
9	115-1204	1	Plate-Neutral	37	251-259	2	Bearing-Ball
10	321-4	1	Screw-HH	38	257-8	1	Washer-Thrust
11	3296-42	1	Nut-Lock, NI	39	322-5	2	Screw-HH
12	323-8	1	Screw-HH	40	121-4409	2	Spring-Extension
13	32128-43	1	Nut-Flange	41	115-6549	1	Plate-Base, LH
14	120-5380-03	1	Handle-Control	42	115-6628	1	Plate-Arm, Return, LH
15	3234-18	1	Screw-HHF	43	115-6637	1	Pivot-LH
16	103-1167	2	Joint-Ball End, LH	44	3296-39	2	Nut-Lock, NI
17	121-4511	1	Rod-Control, LH	45	3290-456	2	Washer-Belleville
18	121-4512	1	Rod-Control, RH	46	3273-14	2	Screw-HSH
19	3220-3	4	Nut-HJ	47	3256-3	2	Washer-Flat
20	3274-2	2	Screw-HSH	48	94-3559	2	Screw-HSH
21	108-0634	4	Spacer-Plate, Retaining	49	117-6429	2	Lock-Trunion
22	3247-6	2	Screw-Set	50	108-9743	3	Washer-Plain
23	3218-3	2	Nut-Jam	51	98-8407	1	Lever-Return, RH
24	121-4506	2	Link-Control, Adjustment	52	98-8408	1	Lever-Return, LH
25	98-1459	1	Decal	53	32151-91	1	Ring-Retaining
26	115-4020	1	Decal-Traction	54	63-2650	2	Screw-Shoulder
27	322-4	4	Screw-HH	55	108-4724	1	Spring-Extension

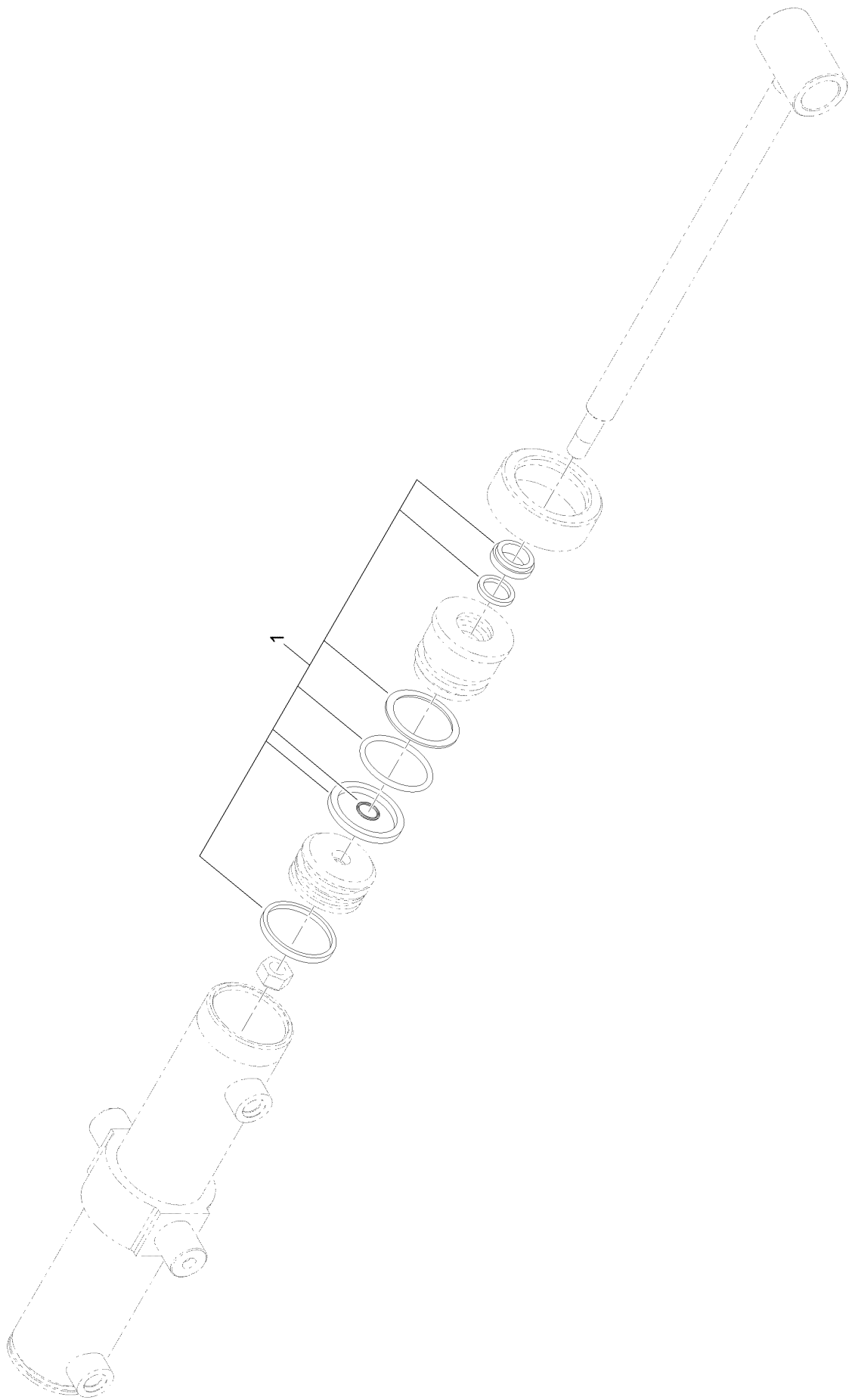
# Frame and Cutter Wheel Assembly



## Frame and Cutter Wheel Assembly (continued)

<i>Ref.</i>	<i>Part Number</i>	<i>Qty.</i>	<i>Description</i>	<i>Ref.</i>	<i>Part Number</i>	<i>Qty.</i>	<i>Description</i>
1	117-6390-01	1	Pivot	23	115-9392-01	1	Mount-Cylinder
2	99-2707	1	Washer	24	115-9384	8	Pocket-Angled
3	99-2713	2	Bushing-Tension	25	115-9388	4	Pocket-Straight
4	119-4612	1	Frame ASM	26	115-9386	12	Bolt-HSH, RH
4:2	107-9366	1	Decal-Warning	27	115-9385	12	Grinder Tooth ASM
4:3	93-7321	1	Decal-Danger	27:1	3296-39	1	Nut-Lock, NI
5	117-6445	1	Pin-Pivot	27:2	121-4365	1	Spacer-Tooth
6	323-47	1	Screw-HH	28	127-9603	1	HYD Motor ASM
7	3290-357	1	Nut-HSF	29	99-5105	1	Screw-Shoulder
8	119-5050-03	1	Wheel-Cutter	30	3234-27	6	Screw-HHF
9	119-5064-03	1	Guard-Chip	31	3274-71	4	Screw-HSH
10	94-9797	1	Pin-Pivot	32	32128-49	14	Nut-HHF
11	117-6441	1	HYD Cylinder ASM	33	325-6	4	Screw-HH
12	121-1955	1	HYD Cylinder ASM	34	323-7	2	Screw-HH
13	119-4570-03	1	Hub-Drive	35	3296-39	2	Nut-Lock, NI
14	115-9395-03	1	Shaft-Stub	36	119-5060	1	Shield-Rubber, RH
15	104-2026	1	Bearing	37	119-5061	1	Shield-Rubber, LH
15:1	302-2	1	Fitting-Grease	38	322-5	14	Screw-HH
16	120-7352	1	Pin-Pivot	39	3296-29	14	Nut-Lock, NI
17	121-4571	1	Spacer-Pivot	40	104-3989	1	Decal
18	117-6327	1	Bolt-HH	41	302-5	5	Fitting-Grease
19	104-9216	2	Washer-Hardened	42	302-40	1	Fitting-Grease, 90 DEG
20	3296-53	1	Nut-Lock, NI	43	119-5118-03	1	Strap-Retainer, LH
21	321-18	1	Screw-HH	44	119-5119-03	1	Strap-Retainer, Rear
22	3296-42	1	Nut-Lock, NI	45	119-5120-03	1	Strap-Retainer, RH

# Hydraulic Cylinder Assembly No. 117-6441



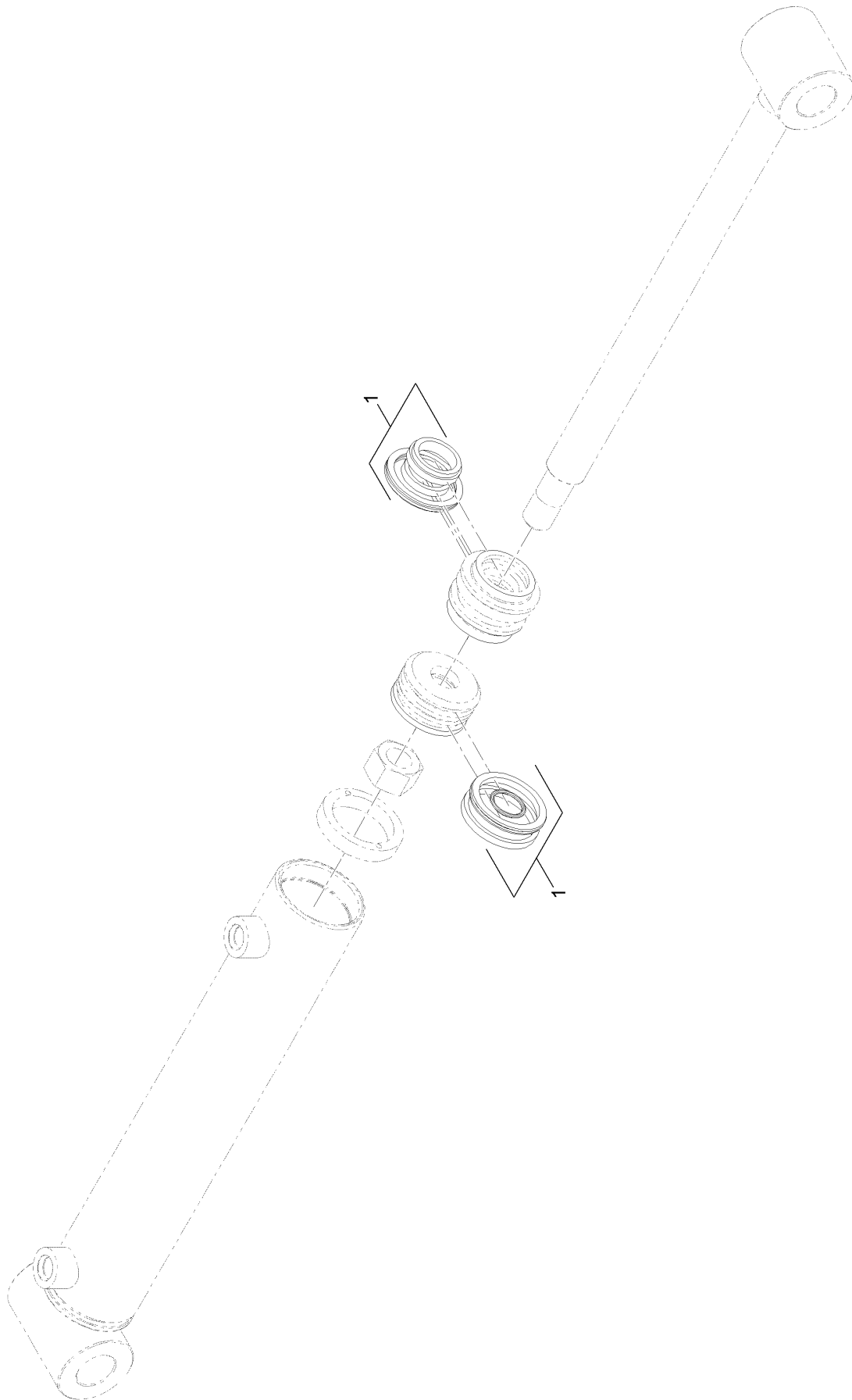
# Hydraulic Cylinder Assembly No. 117-6441 (continued)

---

<i>Ref.</i>	<i>Part Number</i>	<i>Qty.</i>	<i>Description</i>
1	119-4632	1	Seal Kit

---

# Hydraulic Cylinder Assembly No. 121-1955

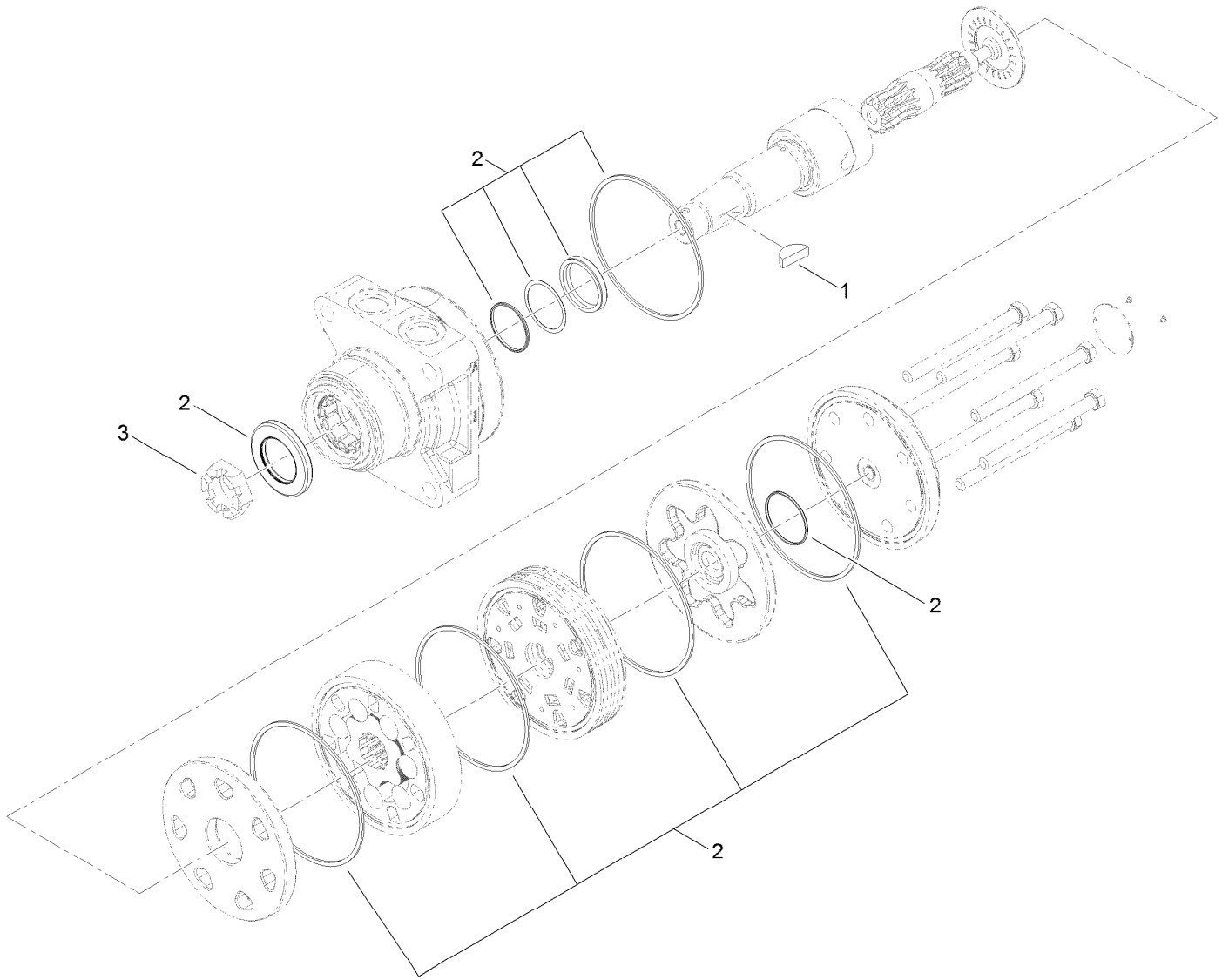




# Hydraulic Cylinder Assembly No. 121-1955 (continued)

<i>Ref.</i>	<i>Part Number</i>	<i>Qty.</i>	<i>Description</i>
1	131-0665	1	Seal Kit

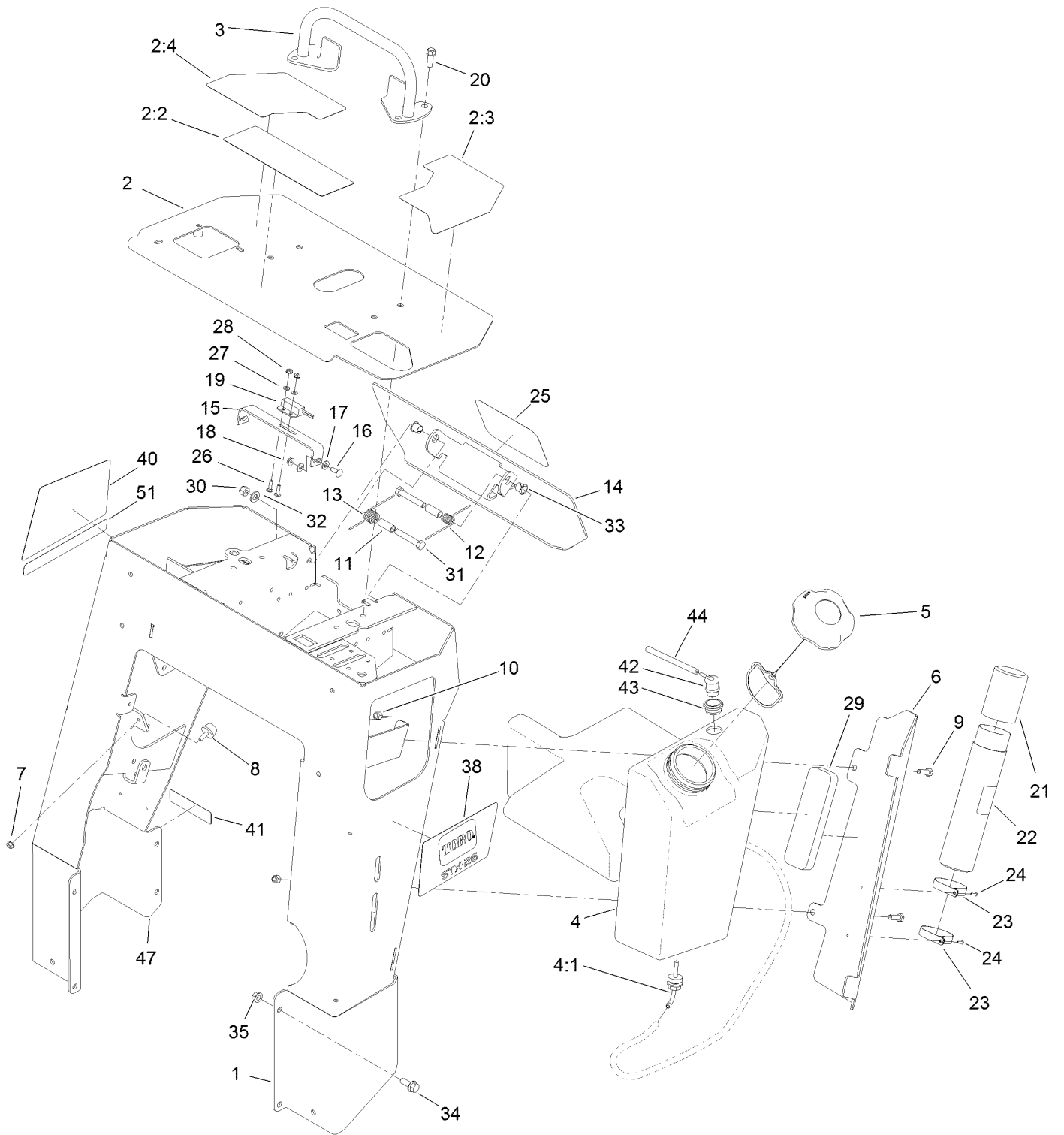
# Hydraulic Motor Assembly No. 127-9603



# Hydraulic Motor Assembly No. 127-9603 (continued)

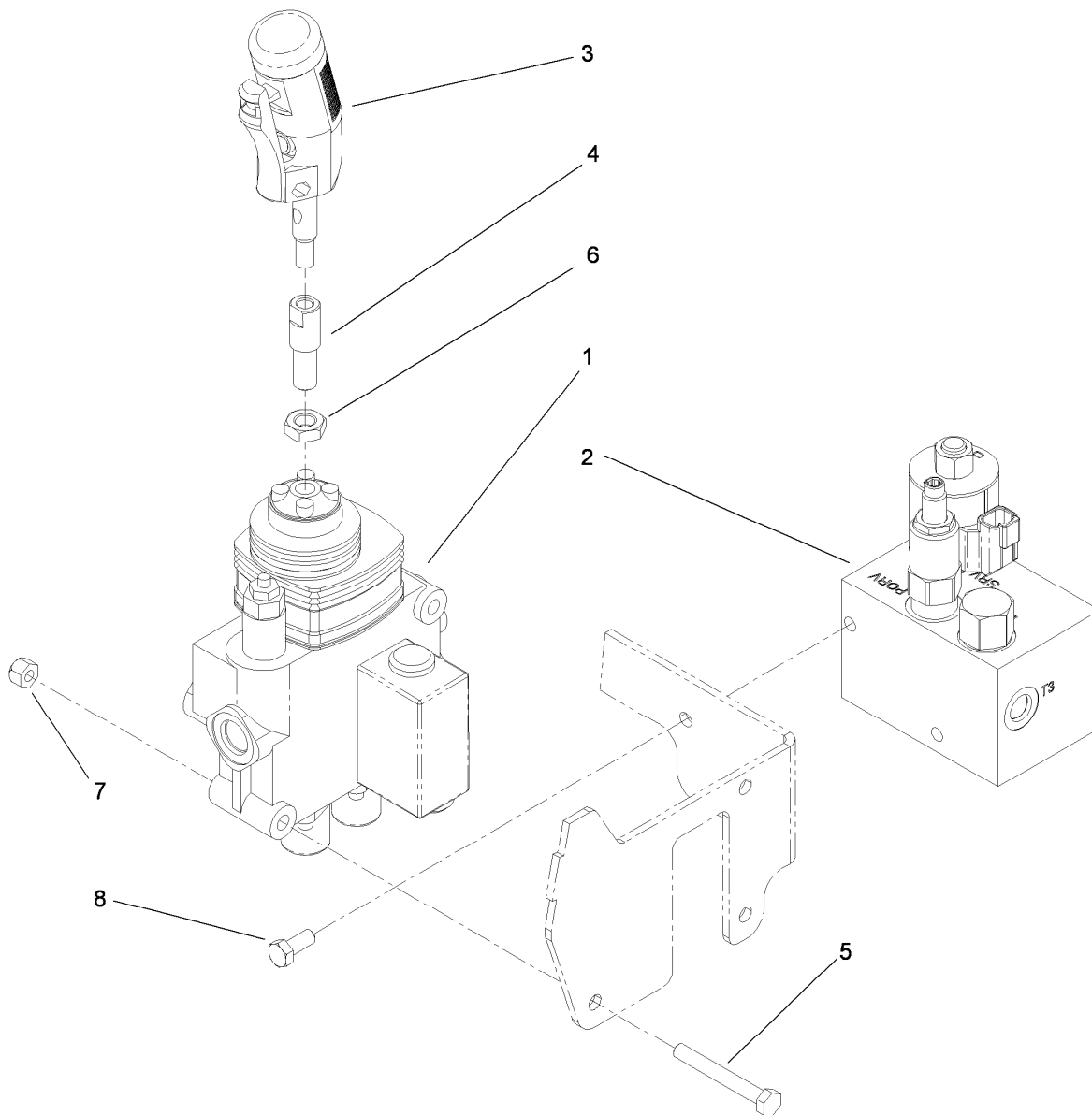
<i>Ref.</i>	<i>Part Number</i>	<i>Qty.</i>	<i>Description</i>
1	3257-42	1	Key-Woodruff
2	119-4631	1	Seal Kit
3	106-8159	1	Nut-Lock

# Tower and Fuel Tank Assembly



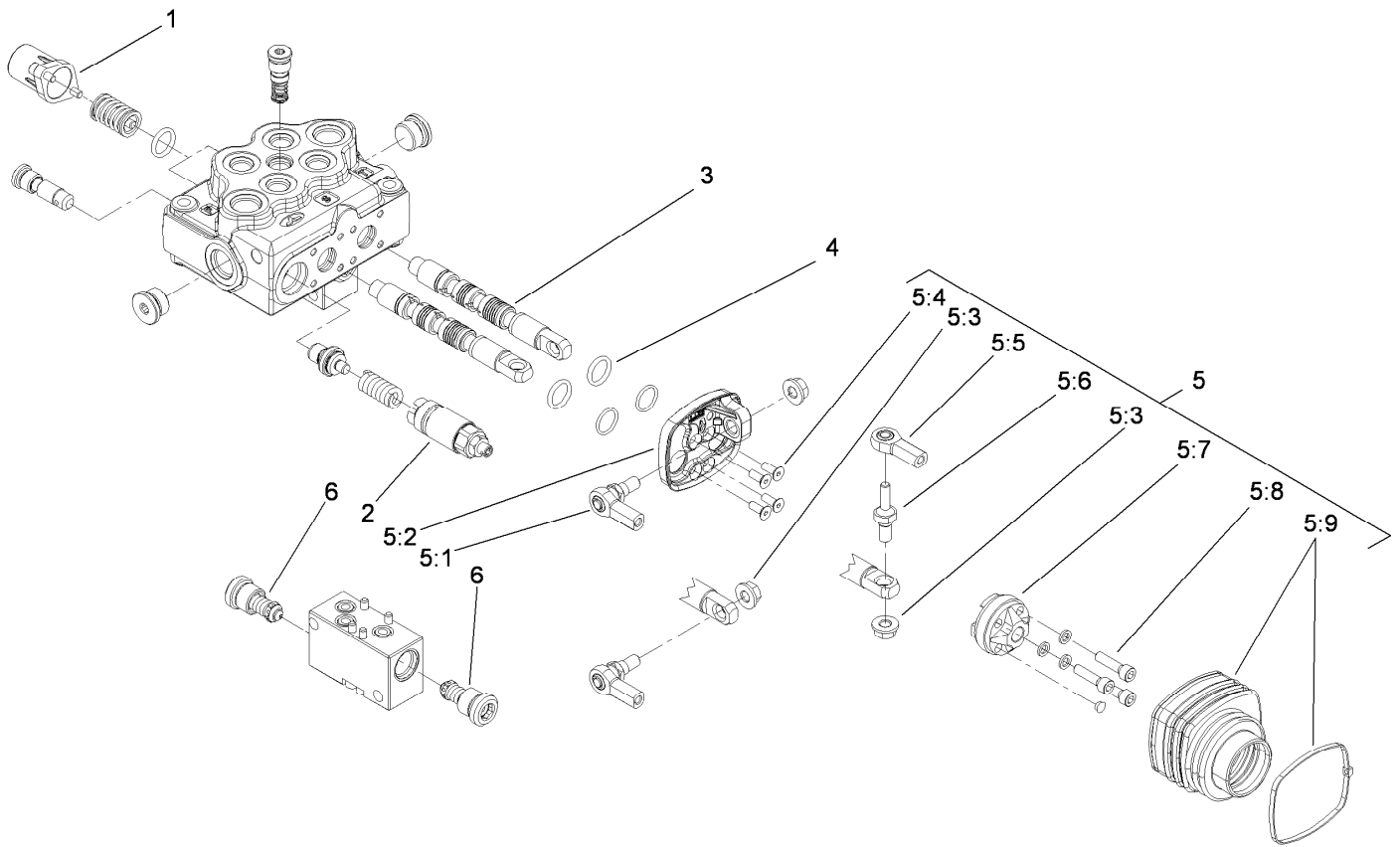
## Tower and Fuel Tank Assembly (continued)

<i>Ref.</i>	<i>Part Number</i>	<i>Qty.</i>	<i>Description</i>	<i>Ref.</i>	<i>Part Number</i>	<i>Qty.</i>	<i>Description</i>
1	119-5100-01	1	Tower	21	104-7048	1	Cap-Housing
2	119-4613	1	Control Panel ASM	22	104-7050	1	Tube-Manual
2:2	119-4606	1	Decal-Warning	23	2412-120	2	Clamp-R
2:3	119-4560	1	Decal-Console, LH	24	3269-17	2	Rivet-Pop
2:4	119-4561	1	Decal-Console, RH	25	105-1217	1	Decal
3	106-7715	1	Bar-Reference	26	3229-20	2	Screw-CARR
4	120-7359	1	Tank-Fuel	27	3256-51	2	Washer-Flat
4:1	103-2605	1	Fitting-Fuel, Bulkhead	28	32149-7	2	Nut-Keps
5	137-4119	1	Cap-Fuel, Ratcheting	29	107-7507	1	Pad-Foam
6	119-5086-01	1	Bracket-Cover, Tank	30	3296-39	2	Nut-Lock, NI
7	32128-33	1	Nut-HF	31	323-11	2	Screw-HH
8	1-523420	1	Bumper	32	3256-24	2	Washer-Flat
9	322-5	2	Screw-HH	33	256-257	2	Bushing-Nyliner
10	3296-29	2	Nut-Lock, NI	34	3234-11	8	Screw-HHF
11	114-1337	2	Spacer-Spring	35	32128-40	8	Nut-Flange
12	98-8425	1	Spring-Torsion, LH	38	119-4563	1	Decal-Side, LH
13	98-8424	1	Spring-Torsion, RH	40	119-4565	1	Decal-Side, RH
14	112-2786-03	1	Plate-Reverse	41	133-8062	1	Decal-Arrestor, Spark
15	100-1263	1	Plate-Switch	42	119-3547	1	Valve-Vent, Fuel
16	3229-1	2	Screw-CARR	43	114-0284	1	Grommet
17	3256-22	4	Washer-Flat	44	117-6395	1	Hose-Vent, Tank
18	32149-2	2	Nut-Keps	47	93-9084	2	Decal-Point, Lift
19	100-1270	1	Switch-Proximity	51	130-7577	1	Decal-Intellisweep
20	95-1726	4	Screw-Taptite				



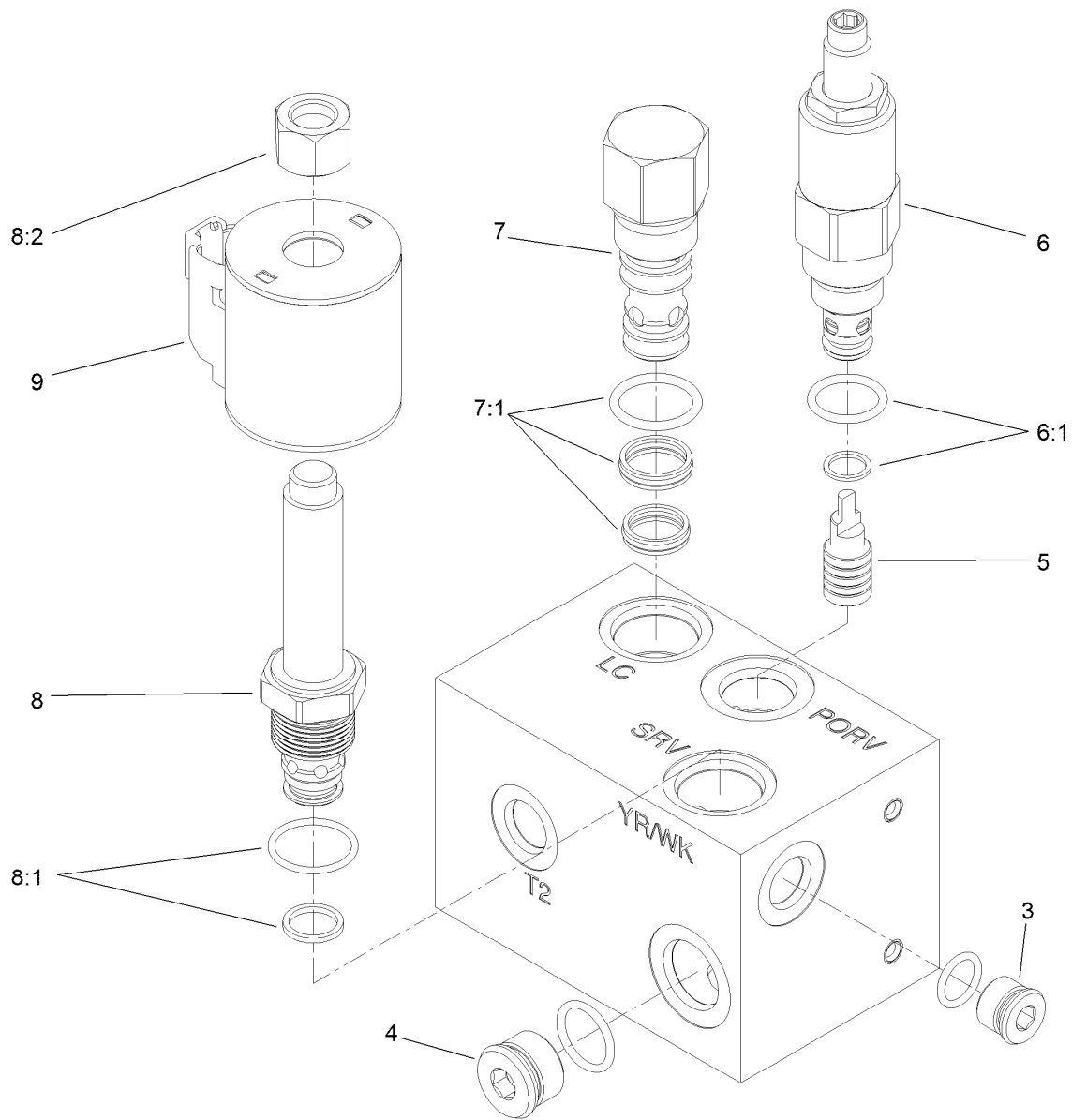
## Control Valve Assembly

Ref.	Part Number	Qty.	Description
1	119-4585	1	HYD Valve ASM
2	119-4586	1	Cutter Wheel Valve ASM
3	119-4587	1	Two Button Handle Grip ASM
4	119-5103	1	Adapter-Handle
5	322-12	3	Screw-HH
6	51-2070	1	Nut
7	3296-29	3	Nut-Lock, NI
8	322-3	2	Screw-HH



## Control Valve Assembly No. 119-4585

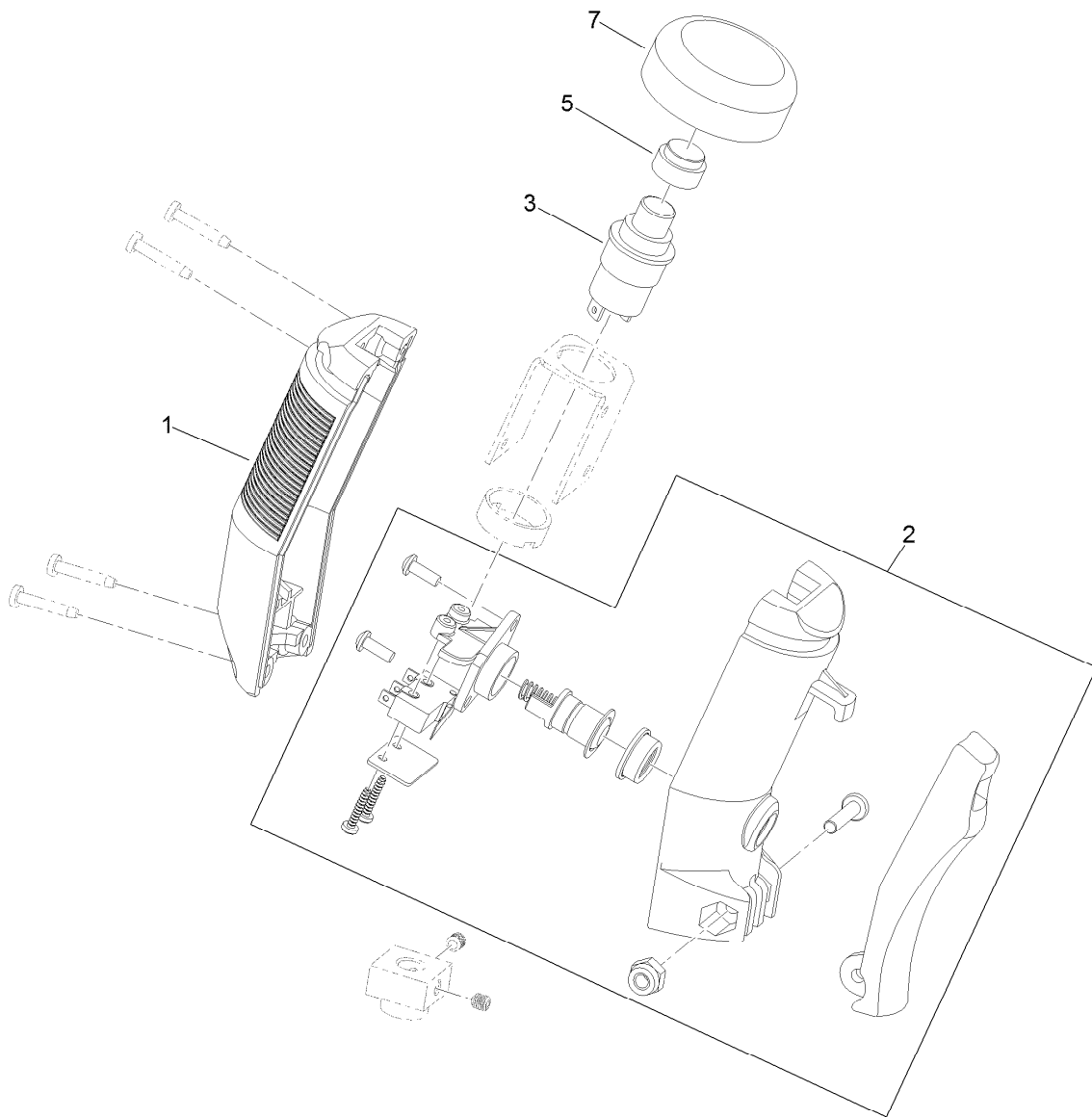
Ref.	Part Number	Qty.	Description
1	100-8801	2	High Force Spring Kit
2	100-8805	1	Valve-Relief
3	114-8625	2	Valve-Spool
4	106-7719	4	Seal-Valve
5	119-4622	1	Joystick Kit
5:1	119-4623	2	Joint-Joystick
5:2	119-4624	1	Base-Joystick
5:3	117-1350	3	Nut-HF, Lock
5:4	119-4625	4	Screw-Joystick
5:5	119-4626	1	Joint-Joystick
5:6	119-4627	1	Pin-Spool
5:7	119-4628	1	Holder-Joystick
5:8	3273-42	3	Screw-HSH
5:9	119-4629	1	Boot-Joystick
6	119-4630	2	Valve Kit



## Cutter Wheel Valve Assembly No. 119-4586

Ref.	Part Number	Qty.	Description
3	106-1026	1	Plug-HYD
4	106-1027	1	Plug
5	105-9157	1	Piston-Pilot
6	119-4620	1	Valve-Relief
6:1	105-9156	1	Seal Kit
7	105-9153	1	Element-Logic, Vented
7:1	119-2159	1	Seal Kit
8	130-7609	1	Valve-Relief,
8:1	110-6316	1	Seal Kit
8:2	130-8180	1	Nut-Coil (9/16-24 Unef-2B)
9	119-4619	1	Coil-Solenoid

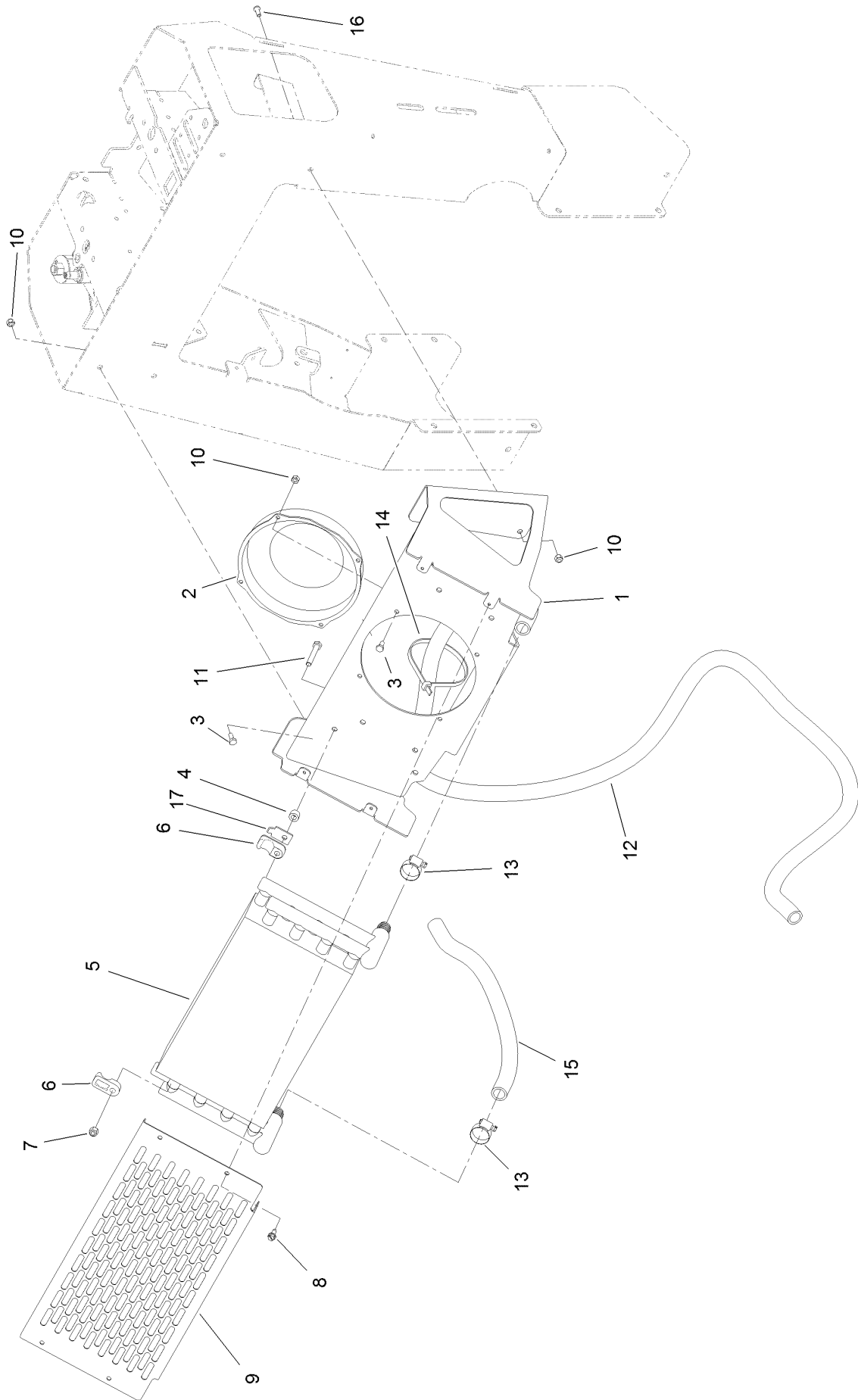




## Two-Button Handle Grip Assembly No. 119-4587

<i>Ref.</i>	<i>Part Number</i>	<i>Qty.</i>	<i>Description</i>
1	119-4637	1	Halve-Handle
2	132-8660	1	Switich Kit
3	119-4640	1	Button-Push, Top
5	119-4642	1	Button-Actuator
7	119-4641	1	Boot-Button

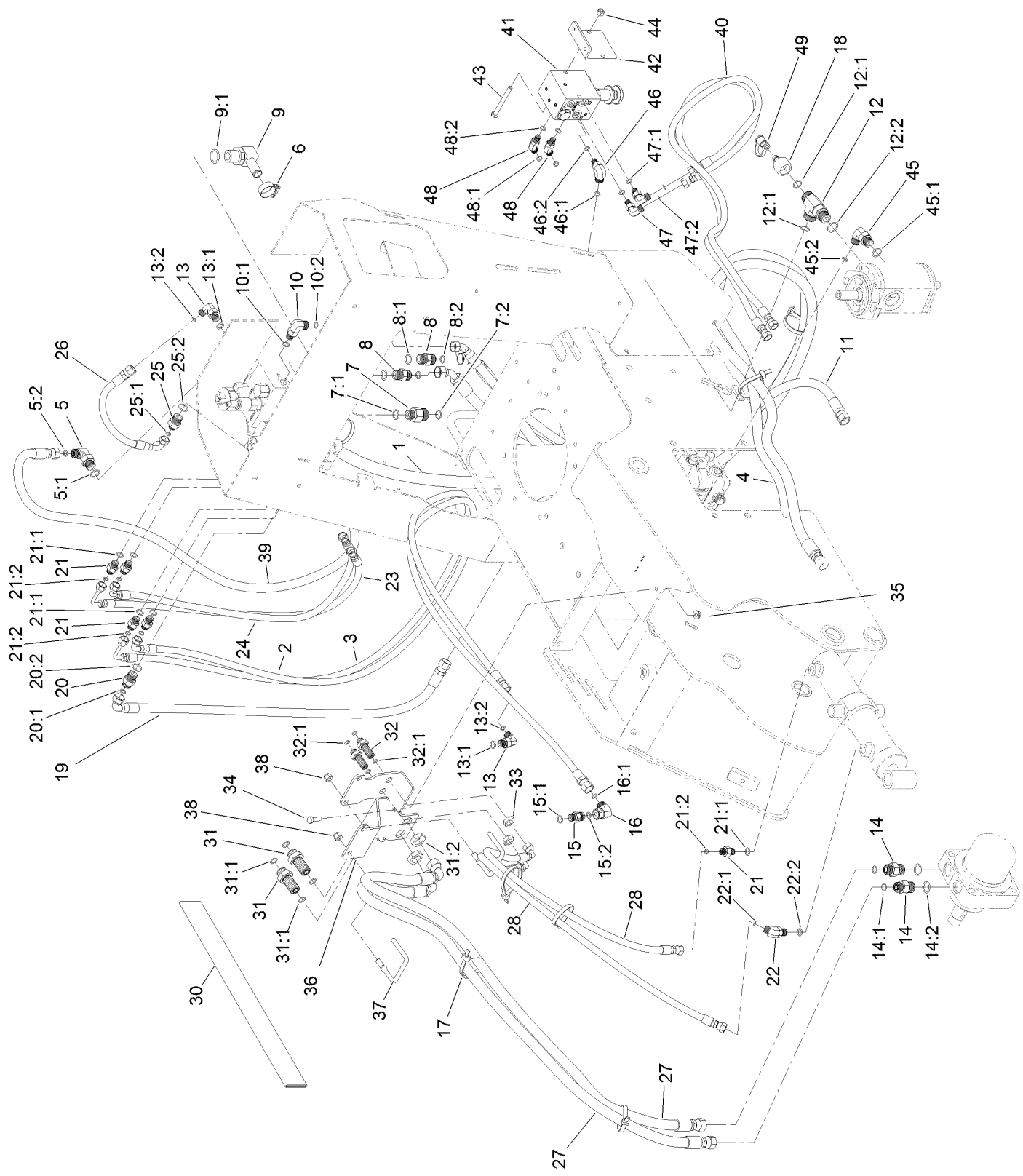
# Oil Cooler Assembly



## Oil Cooler Assembly (continued)

<i>Ref.</i>	<i>Part Number</i>	<i>Qty.</i>	<i>Description</i>	<i>Ref.</i>	<i>Part Number</i>	<i>Qty.</i>	<i>Description</i>
1	117-6296-01	1	Mount-Cooler	10	3296-42	8	Nut-Lock, NI
2	104-2809	1	Fan	11	322-11	4	Screw-HH
3	321-3	7	Screw-HH	12	119-4607	1	Hose-Return
4	105-5723	4	Spacer-Tube	13	2412-129	3	Clamp-Hose
5	117-6320	1	Cooler-Oil	14	3334-945	1	Tie-Cable
6	131-0733	8	Clamp	15	119-4571	1	Hose-Return
7	3296-29	4	Nut-Lock, NI	16	3274-31	1	Screw-HSBH
8	32104-95	4	Screw-HWH	17	131-0642	4	Plate-Support, Clamp
9	119-4633-01	1	Cover-Cooler				

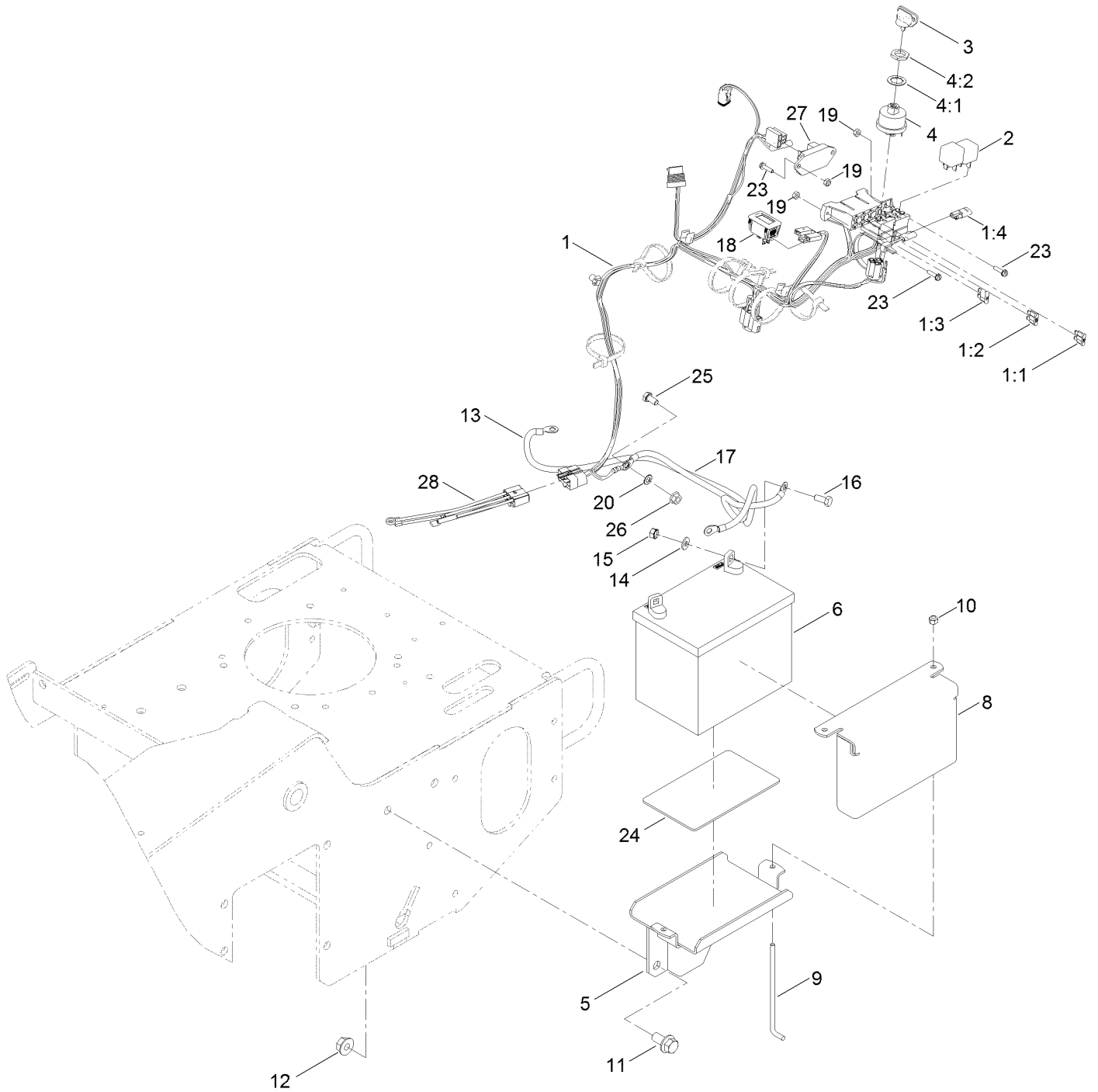
# Hydraulic Hose Routing Assembly



## Hydraulic Hose Routing Assembly (continued)

<i>Ref.</i>	<i>Part Number</i>	<i>Qty.</i>	<i>Description</i>	<i>Ref.</i>	<i>Part Number</i>	<i>Qty.</i>	<i>Description</i>
1	119-4589	1	Hose-HYD	22	340-137	1	Fitting
2	119-4590	1	Hose-HYD	22:1	237-21	1	O-Ring
3	119-4601	1	Hose-HYD	22:2	237-42	1	O-Ring
4	121-4540	2	Hose-HYD	23	130-7602	1	Hose-HYD
5	340-18	1	Fitting-HYD, 90 DEG	24	130-7603	1	Hose-HYD
5:1	237-79	1	O-Ring	25	340-133	1	Fitting-STR
5:2	237-22	1	O-Ring	25:1	237-79	1	O-Ring
6	2412-129	1	Clamp-Hose	25:2	237-21	1	O-Ring
7	340-155	1	Fitting-Straight	26	119-4594	1	Hose-HYD
7:1	237-79	1	O-Ring	27	121-4543	2	Hose ASM-HYD HP
7:2	237-151	1	O-Ring	28	121-4544	2	Hose-HYD
8	340-4	2	Fitting-Straight	30	99-5648	1	Sleeve-Protective
8:1	237-30	1	O-Ring	31	340-161	2	Fitting-Bulkhead
8:2	237-79	1	O-Ring	31:1	237-30	2	O-Ring
9	353-987	1	Fitting-Elbow, 90	31:2	340-127	1	Nut-Bulkhead
9:1	237-81	1	O-Ring	32	94-1444	2	Union-Bulkhead
10	340-77	1	Fitting-Elbow, 90 DEG	32:1	237-21	2	O-Ring
10:1	237-22	1	O-Ring	33	340-78	2	Nut-Lock
10:2	237-42	1	O-Ring	34	322-5	1	Screw-HH
11	119-4602	1	Hose-HYD	35	32128-20	1	Nut-HF
12	340-22	1	Fitting-Tee	36	125-0263-03	1	Bracket-Bulkhead
12:1	237-65	2	O-Ring	37	121-4555	2	Guide-Hose
12:2	237-80	1	O-Ring	38	3296-39	2	Nut-Lock, NI
13	340-82	2	Fitting-Elbow, 90 DEG	39	130-7604	1	Hose-HYD
13:1	237-42	1	O-Ring	40	130-7605	2	Hose-HYD
13:2	237-21	1	O-Ring	41	121-4466	1	Sweep Manifold ASM
14	340-6	2	Fitting-Straight	42	130-1014-03	1	Bracket-Valve
14:1	237-30	1	O-Ring	43	322-14	2	Screw-HH
14:2	237-80	1	O-Ring	44	3296-29	2	Nut-Lock, NI
15	115-4081	1	Valve-Check	45	340-18	1	Fitting-HYD, 90 DEG
15:1	237-42	1	O-Ring	45:1	237-79	1	O-Ring
15:2	237-22	1	O-Ring	45:2	237-22	1	O-Ring
16	340-159	1	Elbow-90	46	340-97	1	Fitting-Elbow, 90 DEG
16:1	237-22	2	O-Ring	46:1	237-22	1	O-Ring
17	3334-945	13	Tie-Cable	46:2	237-78	1	O-Ring
18	86-5860	1	Nipple	47	340-132	2	Fitting-Elbow, 90 DEG
19	119-4592	1	Hose-HYD	47:1	237-78	1	O-Ring
20	340-3	1	Fitting-Straight	47:2	237-21	1	O-Ring
20:1	237-22	1	O-Ring	48	340-103	2	Fitting-HYD, 45 DEG
20:2	237-79	1	O-Ring	48:1	237-78	1	O-Ring
21	340-1	5	Fitting-Straight	48:2	237-21	1	O-Ring
21:1	237-21	1	O-Ring	49	354-79	1	Cap-Dust
21:2	237-42	1	O-Ring				

# Battery and Electrical Assembly



## Battery and Electrical Assembly (continued)

<i>Ref.</i>	<i>Part Number</i>	<i>Qty.</i>	<i>Description</i>	<i>Ref.</i>	<i>Part Number</i>	<i>Qty.</i>	<i>Description</i>
1	119-4555	1	Harness-Wire	12	32128-49	2	Nut-HHF
1:1	109103	1	Fuse-Blade, 30 Amp	13	106-8945	1	Cable-Battery, Positive
1:2	109102	1	Fuse-Blade, 25 Amp	14	3256-2	2	Washer-Flat
1:3	109101	1	Fuse-Blade, 20 Amp	15	32149-1	2	Nut-Keps
1:4	116-0053	1	Cap-Plug	16	322-3	2	Screw-HH
2	98-7249	2	Relay	17	117-6422	1	Cable-Battery, Black
3	63-8360	1	Key-Ignition	18	120-2244	1	Hourmeter
4	88-9830	1	Key Switch ASM	19	3296-2	5	Nut-Lock, NI
4:1	3254-5	1	Washer-Lock	20	3255-8	1	Washer-Lock
4:2	218-461	1	Nut-HH	23	32105-13	5	Screw-HWH
5	105-3150-01	1	Tray-Battery	24	62-4300	1	Pad-Skid, Anti
6	104-8162	1	Battery	25	33114-016	1	Screw-HH
8	115-6621-03	1	Plate-Hold Down, Battery	26	33004-00	1	Nut-HF
9	104-8567	2	Holdown-Battery	27	100-6170	1	Module-Delay
10	3296-42	2	Nut-Lock, NI	28	119-4604	1	Harness
11	3234-6	2	Screw-HHF				

# Attachments and Accessories

## For 23208 STX-26 Stump Grinder

**Product Name**

**Model/Part**

CE Kit ..... 22368

Spark Arrestor Screen ..... 94-8157



**Notes:**

**Notes:**

**Notes:**



**Count on it.**