



Count on it.

Parts Catalog

**STX-26
Stump Grinder**

Model No. 23208—Serial No. 410480000 and Up



Ordering Replacement Parts

To order replacement parts, please supply the part number, the quantity, and the description of each part desired.

Understanding Reference Numbers

Each identified part in an illustration has a reference number. The reference number for a part also appears in the parts list, along with other information about the part.

This catalog uses two special reference number formats, one to indicate parts in a service assembly and another to indicate the quantity of a given part in an illustration.

Service Assembly Reference Numbers

Parts in service assemblies have reference numbers in the form a:b. The a represents the reference number of the entire service assembly and the b represents a sequential number unique to each part within the service assembly.

For example, a wheel assembly might be identified by reference number 6, the tire by 6:1, the valve by 6:2, and the wheel by 6:3. When you order the assembly identified by reference number 6, you receive all parts identified by reference numbers 6:1, 6:2, and 6:3. However, you may also order any part individually. Reference numbers of this type appear in illustration and in parts lists.

Reference Numbers Indicating Quantity

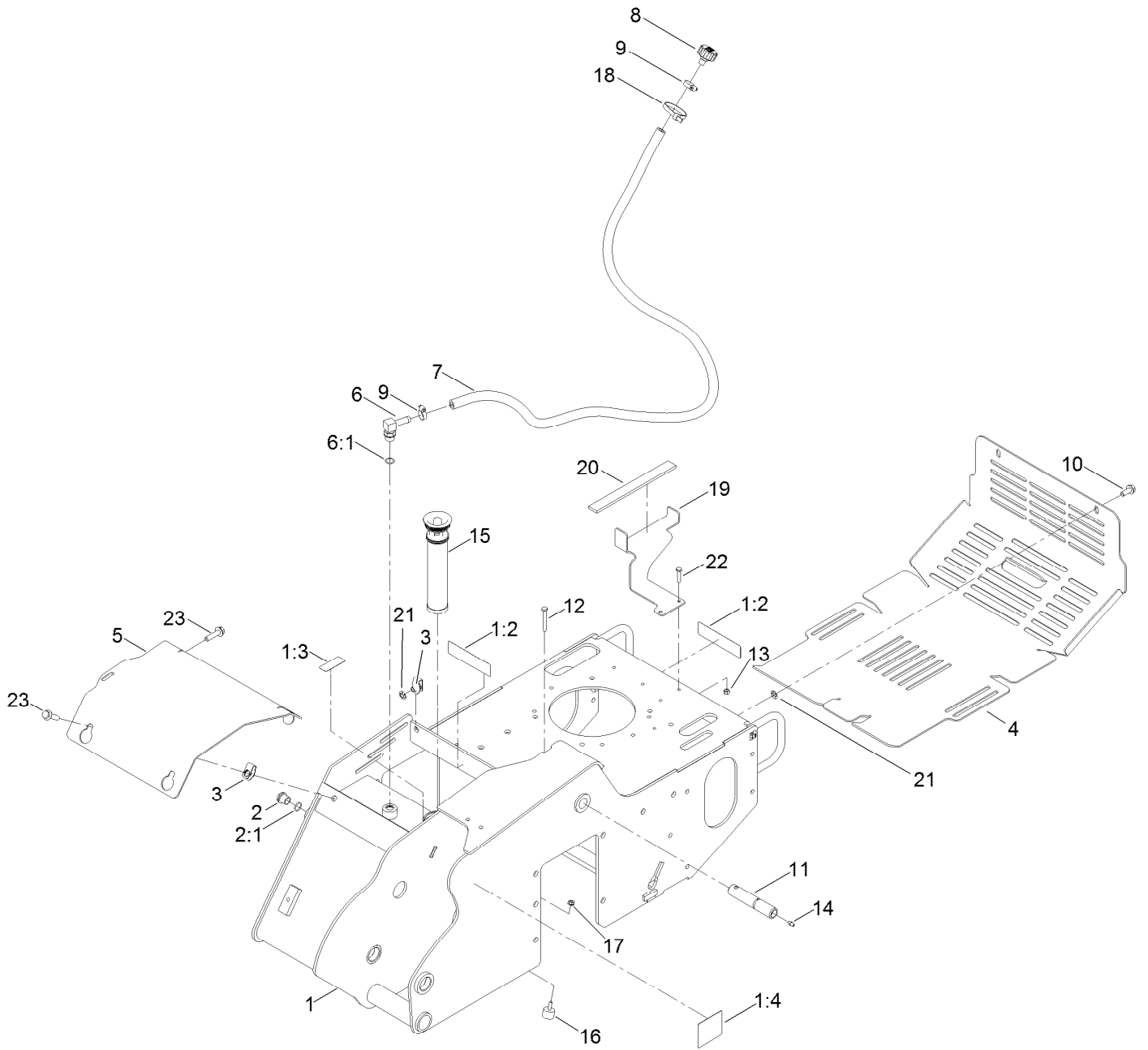
In an illustration, if a reference number indicates more than one part, the reference number has the form nX y. The n represents the quantity of the part, the X is the multiplication symbol, and the y represents the reference number.

For example, in an illustration, the reference number 2X 37 means that two of the parts identified by reference number 37 are indicated.

Contents

| | |
|--|----|
| Frame Assembly | 4 |
| Track and Drive Assembly | 6 |
| Hydraulic Pump Assembly No. 117-6409 | 8 |
| Hydraulic Pump Assembly No. 117-6410 | 9 |
| Hydraulic Motor Assembly No. 119-4557 | 10 |
| Engine Assembly | 12 |
| Hydraulic Gear Pump Assembly No. 117-6444 | 14 |
| Control Assembly | 16 |
| Frame and Cutter Wheel Assembly | 18 |
| Hydraulic Motor Assembly No. 127-9603 | 20 |
| Hydraulic Cylinder Assembly No. 117-6441 | 21 |
| Hydraulic Cylinder Assembly No. 121-1955 | 22 |
| Tower and Fuel Tank Assembly | 24 |
| Control Valve Assembly | 26 |
| Control Valve Assembly No. 119-4585 | 27 |
| Cutter Wheel Valve Assembly No. 119-4586 | 28 |
| Two-Button Handle Grip Assembly No. 119-4587 | 29 |
| Oil Cooler Assembly | 30 |
| Hydraulic Hose Routing Assembly | 32 |
| Battery and Electrical Assembly | 34 |
| Attachments and Accessories | 36 |

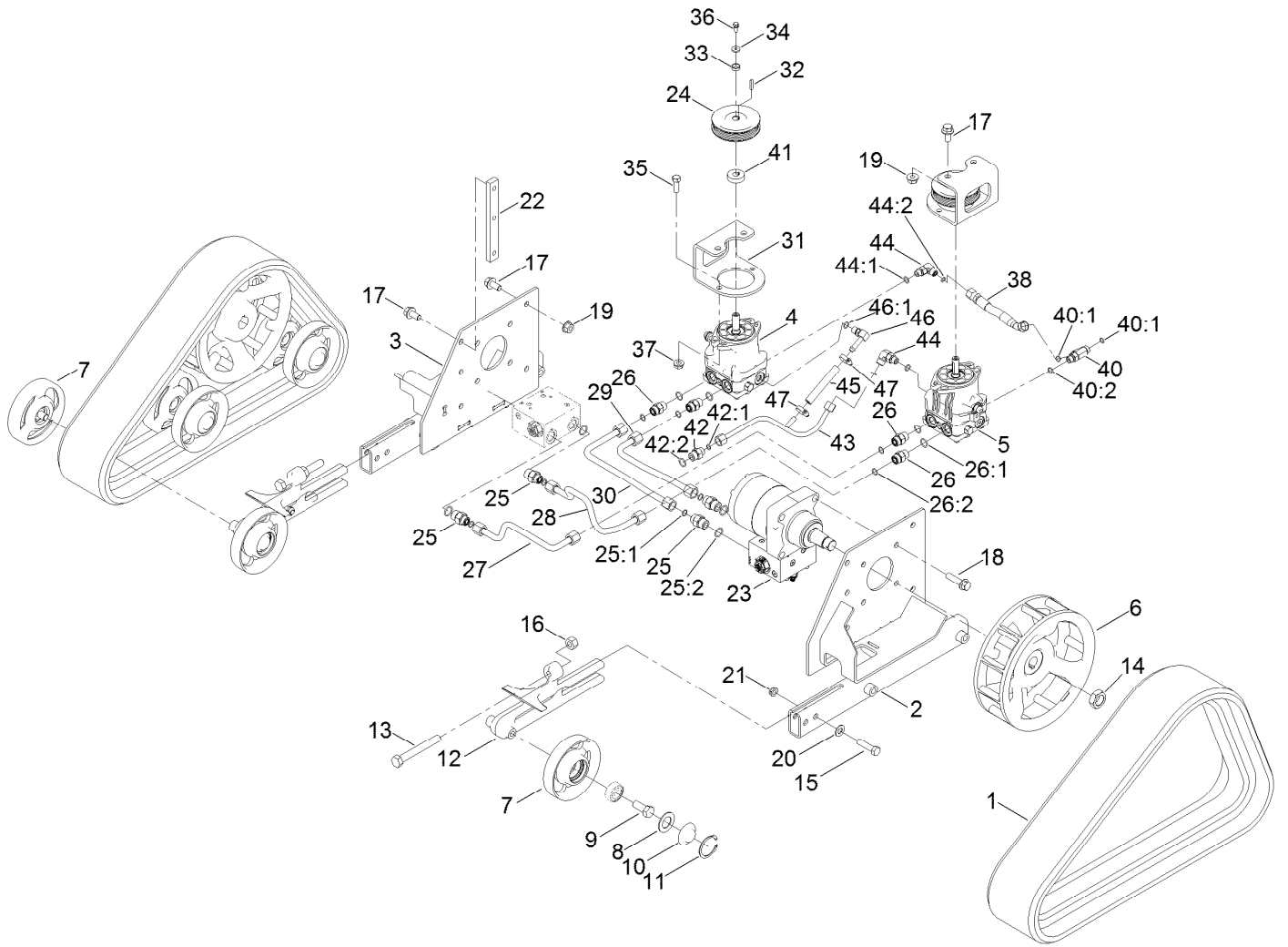
Frame Assembly



Frame Assembly (continued)

| <i>Ref.</i> | <i>Part Number</i> | <i>Qty.</i> | <i>Description</i> | <i>Ref.</i> | <i>Part Number</i> | <i>Qty.</i> | <i>Description</i> |
|-------------|--------------------|-------------|--------------------|-------------|--------------------|-------------|--------------------|
| 1 | 127-9602 | 1 | Main Frame ASM | 10 | 108-1531 | 2 | Screw-HHF |
| 1:2 | 100-4650 | 1 | Decal-Warning | 11 | 120-7352 | 1 | Pin-Pivot |
| 1:3 | 93-7814 | 2 | Decal-Danger | 12 | 321-18 | 1 | Screw-HH |
| 1:4 | 93-6686 | 1 | Decal-Oil, HYD | 13 | 3296-42 | 3 | Nut-Lock, NI |
| 2 | 114-3075 | 1 | Sight Glass ASM | 14 | 302-5 | 1 | Fitting-Grease |
| 2:1 | 237-79 | 1 | O-Ring | 15 | 114-3039 | 1 | Filter-Tank, In |
| 3 | 140-1146 | 5 | Nut-Clip, U | 16 | 1-523420 | 1 | Bumper |
| 4 | 119-5106-01 | 1 | Cover-Rear | 17 | 32128-33 | 1 | Nut-HF |
| 5 | 119-4566-03 | 1 | Plate-Cover, Front | 18 | 3334-945 | 1 | Tie-Cable |
| 6 | 354-120 | 1 | Fitting-Elbow, 90 | 19 | 119-5091-01 | 1 | Bracket-Tank |
| 6:1 | 237-79 | 1 | O-Ring | 20 | 117-6417 | 1 | Pad-Foam |
| 7 | 114-3042 | 1 | Hose-Breather | 21 | 140-1144 | 5 | Nut-Push |
| 8 | 68-6150 | 1 | Breather | 22 | 321-8 | 2 | Screw-HH |
| 9 | 2412-36 | 2 | Clamp-Hose | 23 | 33105-040 | 3 | Screw-HHF |

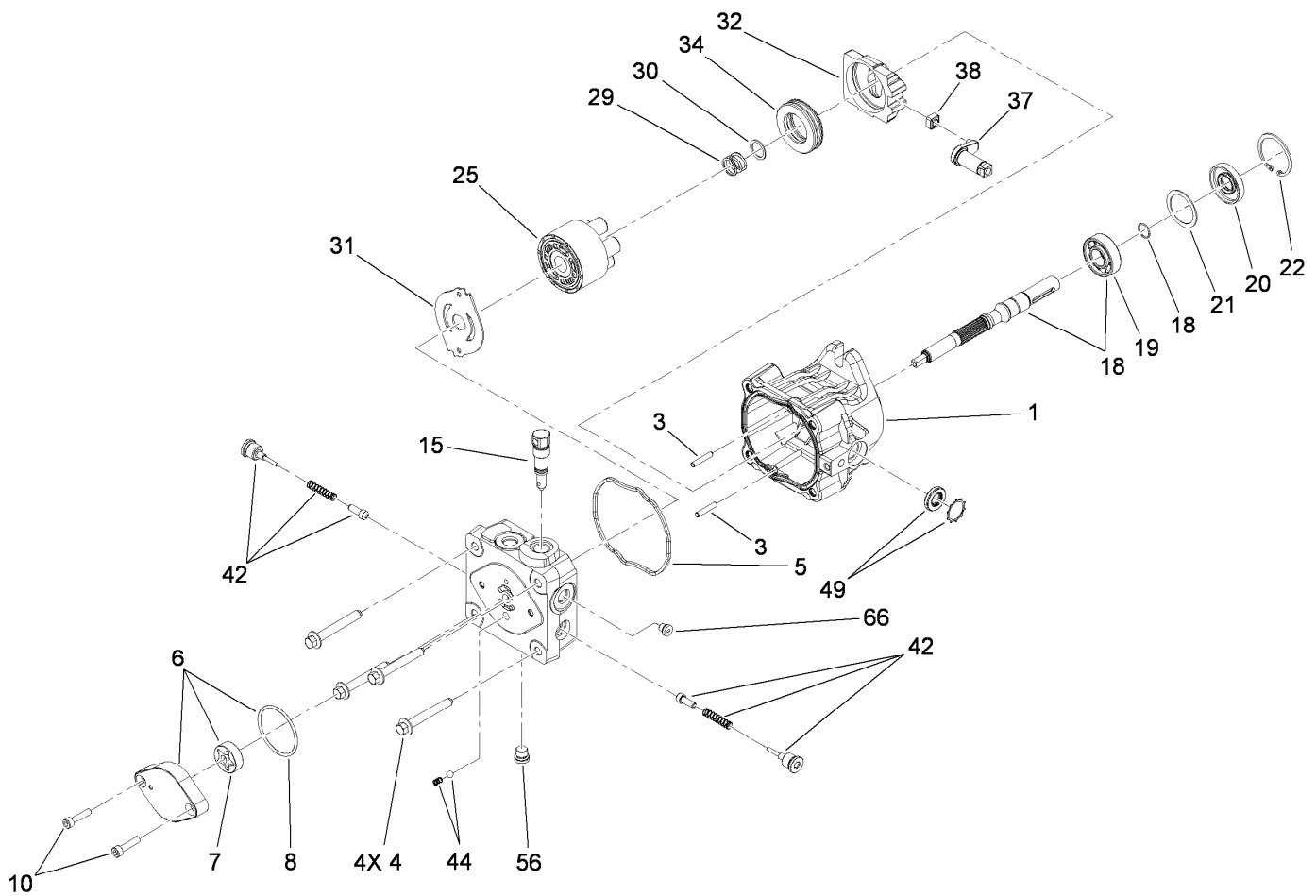
Track and Drive Assembly



Track and Drive Assembly (continued)

| <i>Ref.</i> | <i>Part Number</i> | <i>Qty.</i> | <i>Description</i> | <i>Ref.</i> | <i>Part Number</i> | <i>Qty.</i> | <i>Description</i> |
|-------------|--------------------|-------------|---------------------|-------------|--------------------|-------------|-----------------------|
| 1 | 112-4816 | 2 | Track-Rubber | 26:1 | 237-30 | 1 | O-Ring |
| 2 | 114-2992-03 | 1 | Frame-Track, LH | 26:2 | 237-79 | 1 | O-Ring |
| 3 | 114-2993-03 | 1 | Frame-Track, RH | 27 | 119-4581 | 1 | Tube-HYD |
| 4 | 117-6409 | 1 | RH HYD Pump ASM | 28 | 119-4582 | 1 | Tube-HYD |
| 5 | 117-6410 | 1 | LH HYD Pump ASM | 29 | 119-4583 | 1 | Tube-HYD |
| 6 | 117-6426-03 | 2 | Wheel-Drive | 30 | 119-4584 | 1 | Tube-HYD |
| 7 | 138-3139 | 12 | Tensioner Wheel ASM | 31 | 115-1289-03 | 2 | Bracket-Mount, Pump |
| 7:1 | 138-7118 | 1 | Wheel-Track ● | 32 | 80-6090 | 2 | Key-Pump |
| 7:2 | 120-5378 | 1 | Bearing-Ball ● | 33 | 108-4211 | 2 | Bushing |
| 8 | 106-7585 | 12 | Gasket-Bogie | 34 | 73-3580 | 2 | Washer |
| 9 | 327-4 | 12 | Screw-HH | 35 | 324-5 | 4 | Screw-HH |
| 10 | 106-7557 | 12 | Cap-Wheel, Bearing | 36 | 33103-016 | 2 | Screw-HHF |
| 11 | 106-7595 | 12 | Ring-Snap, Internal | 37 | 32128-42 | 4 | Nut-HF |
| 12 | 114-3077-03 | 2 | Tensioner-Track | 38 | 115-1297 | 1 | Hose-HYD |
| 13 | 112-4874 | 2 | Screw-HH, TAP | 40 | 340-86 | 1 | Fitting-Tee |
| 14 | 106-8159 | 2 | Nut-Lock | 40:1 | 237-22 | 2 | O-Ring |
| 15 | 325-8 | 4 | Screw-HH | 40:2 | 237-42 | 1 | O-Ring |
| 16 | 3217-11 | 2 | Nut-Hex | 41 | 115-4002 | 2 | Spacer |
| 17 | 3234-6 | 14 | Screw-HHF | 42 | 340-3 | 1 | Fitting-Straight |
| 18 | 3234-27 | 8 | Screw-HHF | 42:1 | 237-22 | 1 | O-Ring |
| 19 | 32128-49 | 8 | Nut-HHF | 42:2 | 237-79 | 1 | O-Ring |
| 20 | 3256-26 | 4 | Washer-Flat | 43 | 117-1305 | 1 | Tube-HYD |
| 21 | 3296-45 | 4 | Nut-Hex | 44 | 340-77 | 2 | Fitting-Elbow, 90 DEG |
| 22 | 114-3091 | 2 | Bar-Thread | 44:1 | 237-22 | 1 | O-Ring |
| 23 | 119-4557 | 2 | HYD Motor ASM | 44:2 | 237-42 | 1 | O-Ring |
| 24 | 115-1298 | 2 | Sheave | 45 | 115-4083 | 1 | Hose |
| 25 | 340-6 | 4 | Fitting-Straight | 46 | 100-4887 | 1 | Fitting-Elbow, 90 |
| 25:1 | 237-30 | 1 | O-Ring | 46:1 | 237-42 | 1 | O-Ring |
| 25:2 | 237-80 | 1 | O-Ring | 47 | 2412-36 | 2 | Clamp-Hose |
| 26 | 340-4 | 4 | Fitting-Straight | | | | |

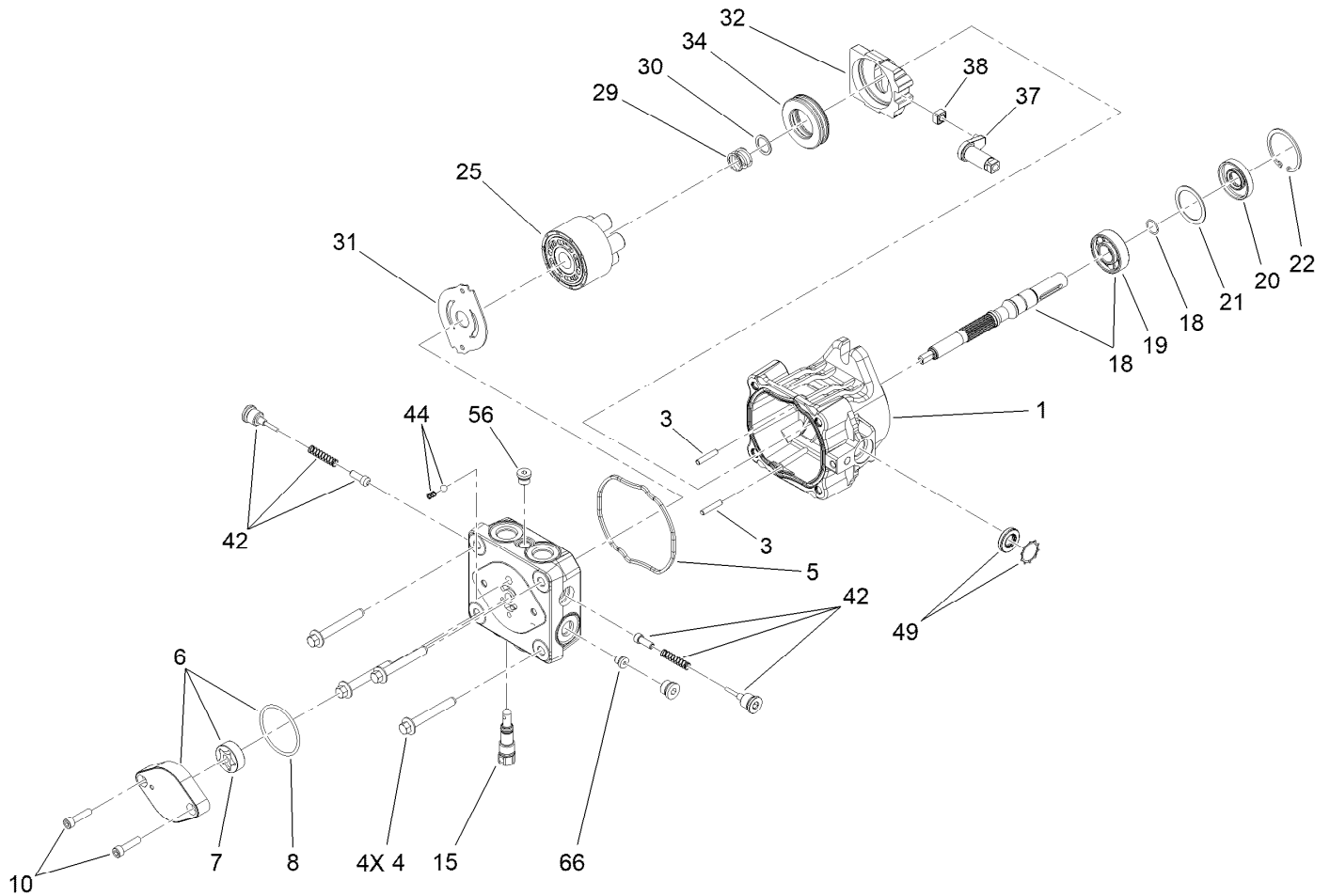
● Not illustrated



Hydraulic Pump Assembly No. 117-6409

| Ref. | Part Number | Qty. | Description | Ref. | Part Number | Qty. | Description |
|------|-------------|------|------------------------|------|-------------|------|------------------------------|
| 1 | 115-4464 | 1 | Housing Kit | 29 | 94-1936 | 1 | Spring-Block |
| 3 | 106-8753 | 2 | Pin-Headless, Straight | 30 | 94-1937 | 1 | Washer-Thrust |
| 4 | 106-8754 | 4 | Bolt-HF | 31 | 105-6185 | 1 | Plate-Valve |
| 5 | 106-8755 | 1 | O-Ring | 32 | 94-1907 | 1 | Swashplate-Variable |
| 6 | 106-8756 | 1 | Charge Pump Kit | 34 | 94-6922 | 1 | Bearing-Thrust |
| 7 | 104-2122 | 1 | Gerotor ASM | 37 | 115-4458 | 1 | Arm-Trunnion, Tapered Square |
| 8 | 106-8757 | 1 | O-Ring | 38 | 94-1910 | 1 | Guide-Slot |
| 10 | 104-2111 | 2 | Capscrew | 42 | 98-3252 | 2 | Valve-Check (W/Poppet) |
| 15 | 106-8759 | 1 | Bypass Valve Kit | 44 | 106-8760 | 1 | Charge Relief Valve Kit |
| 18 | 103-2664 | 1 | Input Shaft Kit | 49 | 114-8155 | 1 | Trunnion Seal Kit |
| 19 | 104-5311 | 1 | Bearing-Ball | 56 | 106-8762 | 1 | Plug-HSH |
| 20 | 104-5310 | 1 | Seal-Lip | 66 | 106-8763 | 1 | Plug-HSH |
| 21 | 104-5308 | 1 | Spacer | 99 | 105-6184 | 1 | Seal Overhaul Kit ● |
| 22 | 104-5309 | 1 | Ring-Retaining | | | | |
| 25 | 103-2666 | 1 | Cylinder Block Kit | | | | |

● Not illustrated



Hydraulic Pump Assembly No. 117-6410

| Ref. | Part Number | Qty. | Description | Ref. | Part Number | Qty. | Description |
|------|-------------|------|------------------------|------|-------------|------|------------------------------|
| 1 | 115-4464 | 1 | Housing Kit | 29 | 94-1936 | 1 | Spring-Block |
| 3 | 106-8753 | 2 | Pin-Headless, Straight | 30 | 94-1937 | 1 | Washer-Thrust |
| 4 | 106-8754 | 4 | Bolt-HF | 31 | 105-6185 | 1 | Plate-Valve |
| 5 | 106-8755 | 1 | O-Ring | 32 | 94-1907 | 1 | Swashplate-Variable |
| 6 | 106-8756 | 1 | Charge Pump Kit | 34 | 94-6922 | 1 | Bearing-Thrust |
| 7 | 104-2122 | 1 | Gerotor ASM | 37 | 115-4458 | 1 | Arm-Trunnion, Tapered Square |
| 8 | 106-8757 | 1 | O-Ring | 38 | 94-1910 | 1 | Guide-Slot |
| 10 | 104-2111 | 2 | Capscrew | 42 | 98-3252 | 2 | Valve-Check (W/Poppet) |
| 15 | 106-8759 | 1 | Bypass Valve Kit | 44 | 106-8760 | 1 | Charge Relief Valve Kit |
| 18 | 103-2664 | 1 | Input Shaft Kit | 49 | 114-8155 | 1 | Trunnion Seal Kit |
| 19 | 104-5311 | 1 | Bearing-Ball | 56 | 106-8762 | 1 | Plug-HSH |
| 20 | 104-5310 | 1 | Seal-Lip | 66 | 106-8763 | 1 | Plug-HSH |
| 21 | 104-5308 | 1 | Spacer | 99 | 105-6184 | 1 | Seal Overhaul Kit ● |
| 22 | 104-5309 | 1 | Ring-Retaining | | | | |
| 25 | 103-2666 | 1 | Cylinder Block Kit | | | | |

● Not illustrated

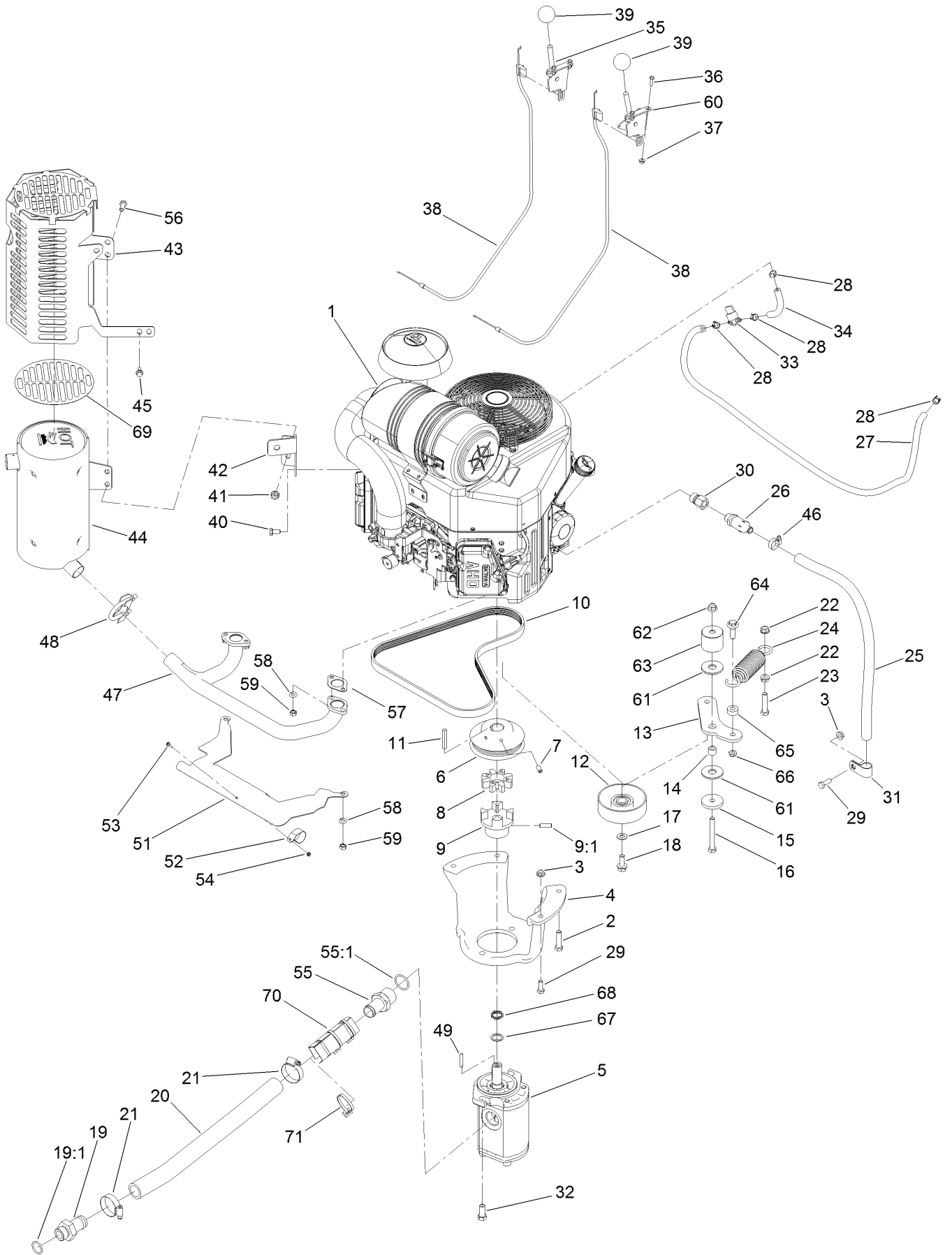
Hydraulic Motor Assembly No. 119-4557 (continued)

| <i>Ref.</i> | <i>Part Number</i> | <i>Qty.</i> | <i>Description</i> | <i>Ref.</i> | <i>Part Number</i> | <i>Qty.</i> | <i>Description</i> |
|-------------|--------------------|-------------|--------------------------|-------------|--------------------|-------------|-----------------------|
| 1 | 119-4599 | 1 | Counterbalance Valve ASM | 7 | 100-6131 | 1 | Seal Kit ● |
| 1:1 | 119-4608 | 2 | Valve-Cartridge | 7:1 | | 1 | Ring-Back Up ■ |
| 2 | 119-4611 | 4 | Bolt-HSH | 7:2 | | 1 | Washer-Back Up ■ |
| 3 | 3257-42 | 1 | Key-Woodruff | 7:3 | | 1 | Seal-Shaft ■ |
| 4 | 120-0691 | 2 | O-Ring | 7:4 | | 5 | Seal-Ring ■ |
| 5 | 76-0860 | 1 | Shaft-Coupling | 7:5 | | 1 | Seal-Commutator ■ |
| 6 | 120-5394 | 1 | Motor Housing ASM | 7:6 | | 1 | Seal-Dirt And Water ■ |

● Not illustrated

■ Not serviced separately

Engine Assembly



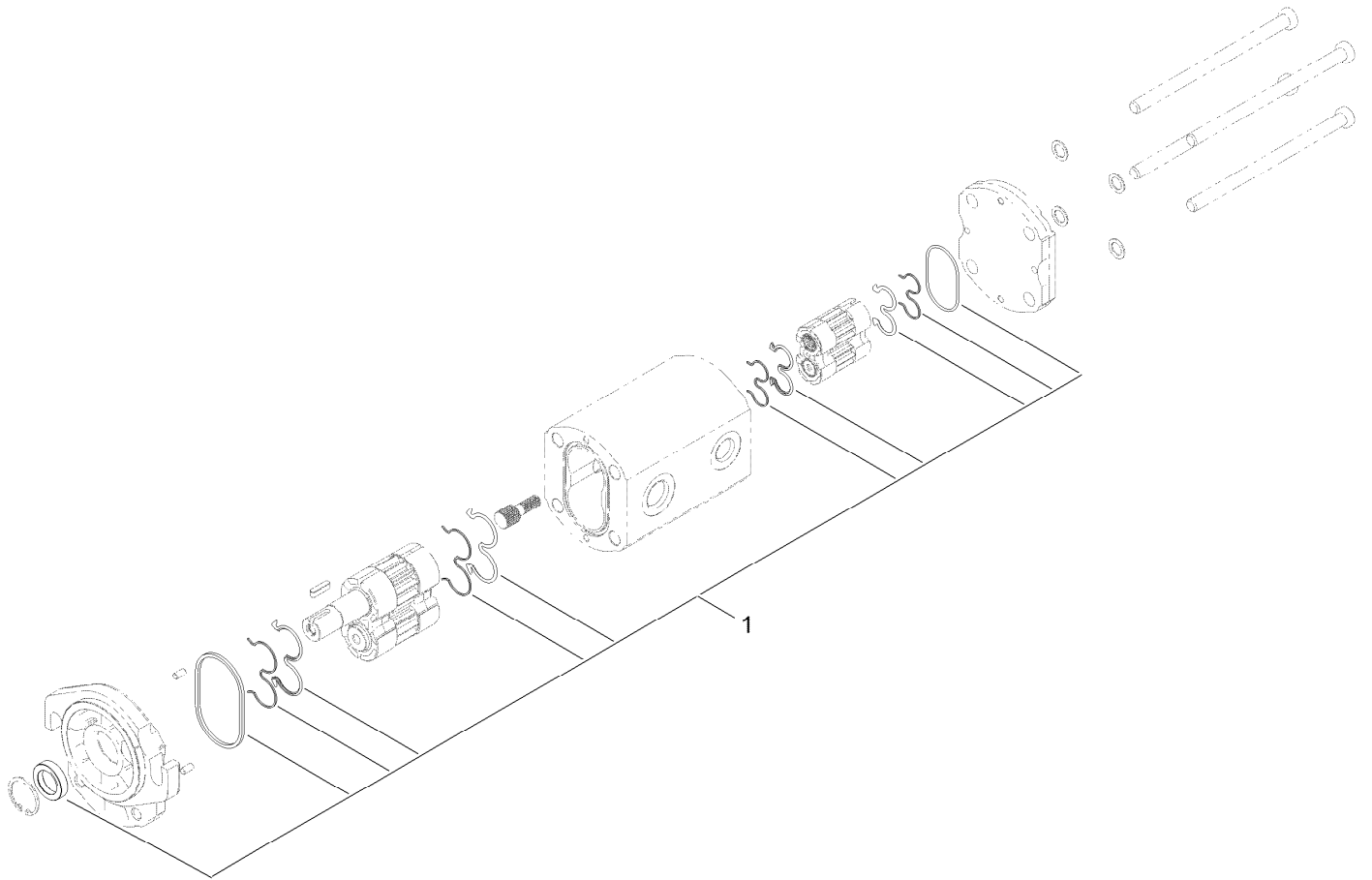
Engine Assembly (continued)

| <i>Ref.</i> | <i>Part Number</i> | <i>Qty.</i> | <i>Description</i> | <i>Ref.</i> | <i>Part Number</i> | <i>Qty.</i> | <i>Description</i> |
|-------------|--------------------|-------------|-------------------------------|-------------|--------------------|-------------|----------------------------|
| 1 | | 1 | Engine-Kawasaki, Fx730V ●■ | 35 | 108-9730 | 1 | Lever-Control |
| 2 | 323-8 | 4 | Screw-HH | 36 | 3290-134 | 4 | Screw |
| 3 | 32128-20 | 3 | Nut-HF | 37 | 32128-17 | 4 | Nut-Lock, Flange |
| 4 | 115-1480-03 | 1 | Mount-Pump | 38 | 115-1211 | 2 | Cable-Control |
| 5 | 117-6444 | 1 | Gear Pump ASM | 39 | 233-42 | 2 | Knob |
| 6 | 114-8559-03 | 1 | Pulley-Engine | 40 | 33114-016 | 2 | Screw-HH |
| 7 | 3246-6 | 2 | Screw-Set, HSH | 41 | 112-2844 | 3 | Nut-HF |
| 8 | 93-8827 | 1 | Coupler-Spider | 42 | 115-9233-03 | 1 | Bracket-Mount, Muffler |
| 9 | 114-2933 | 1 | Coupler-Flex | 43 | 137-4879-03 | 1 | Guard-Muffler |
| 9:1 | 105-4068 | 1 | Screw-Set, HSH | 44 | 120-7536 | 1 | Muffler |
| 10 | 114-2991 | 1 | Belt-V | 45 | 33103-016 | 1 | Screw-HHF |
| 11 | 608006 | 1 | Key-Square | 46 | 2412-36 | 1 | Clamp-Hose |
| 12 | 95-8802 | 1 | Pulley-Idler | 47 | 120-7535 | 1 | Manifold, Muffler |
| 13 | 125-0252 | 1 | Arm-Idler | 48 | 2112-11 | 1 | Clamp-Muffler |
| 14 | 1-413088 | 1 | Bushing-Lever, Lift | 49 | 27-8590 | 1 | Key-Square |
| 15 | 110-9981 | 1 | Washer-Plain | 51 | 115-9227 | 1 | Plate-Shield, Heat |
| 16 | 323-14 | 1 | Screw-HH | 52 | 115-6488 | 1 | Clamp |
| 17 | 3256-24 | 1 | Washer-Flat | 53 | 115-6494 | 1 | Screw-Pan |
| 18 | 3234-11 | 1 | Screw-HHF | 54 | 115-6495 | 1 | Nut-Hex |
| 19 | 99-3017 | 1 | Fitting | 55 | 354-78 | 1 | Fitting-STR |
| 19:1 | 237-81 | 1 | O-Ring | 55:1 | 237-146 | 1 | O-Ring |
| 20 | 114-2917 | 1 | Hose-Suction | 56 | 33114-020 | 3 | Screw-HH |
| 21 | 2412-111 | 2 | Clamp-Hose, W/Liner | 57 | 1-653313 | 2 | Gasket-Exhaust |
| 22 | 3290-357 | 2 | Nut-HSF | 58 | 115-6496 | 4 | Washer-Spring |
| 23 | 323-9 | 1 | Screw-HH | 59 | 115-6611 | 4 | Nut-Hex |
| 24 | 121-4523 | 1 | Spring-Extension | 60 | 110-5547 | 1 | Lever-Control |
| 25 | 99-1356 | 1 | Hose-Vent | 61 | 114-0463 | 2 | Washer-Friction, Composite |
| 26 | 92-6877 | 1 | Valve-Drain, Oil | 62 | 104-8301 | 1 | Nut-HF, NI |
| 27 | 110-3372 | 1 | Hose-Fuel | 63 | 125-0251 | 1 | Spacer-Idler |
| 28 | 2412-98 | 4 | Clamp-Hose | 64 | 614672 | 1 | Screw-Shoulder, HWH |
| 29 | 322-4 | 3 | Screw-HH | 65 | 104-8426 | 1 | Spacer |
| 30 | 103-1966 | 1 | Adapter-STR | 66 | 3296-59 | 1 | Nut-Lock, NI |
| 31 | 2412-81 | 1 | Clamp-R | 67 | 115-7210 | 1 | Washer-Thrust |
| 32 | 324-4 | 2 | Screw-HH | 68 | 121-4517 | 1 | Washer-Wave |
| 33 | 1-603770 | 1 | Valve-Fuel | 69 | 131-0604 | 1 | Guard-Foil |
| 34 | 109-0295 | 1 | Hose-Fuel | 70 | AU112950 | 2 | Protector-Hose |
| | | | | 71 | 3290-378 | 3 | Tie-Cable |

● Not serviced separately

■ Obtain parts from www.kawpower.com

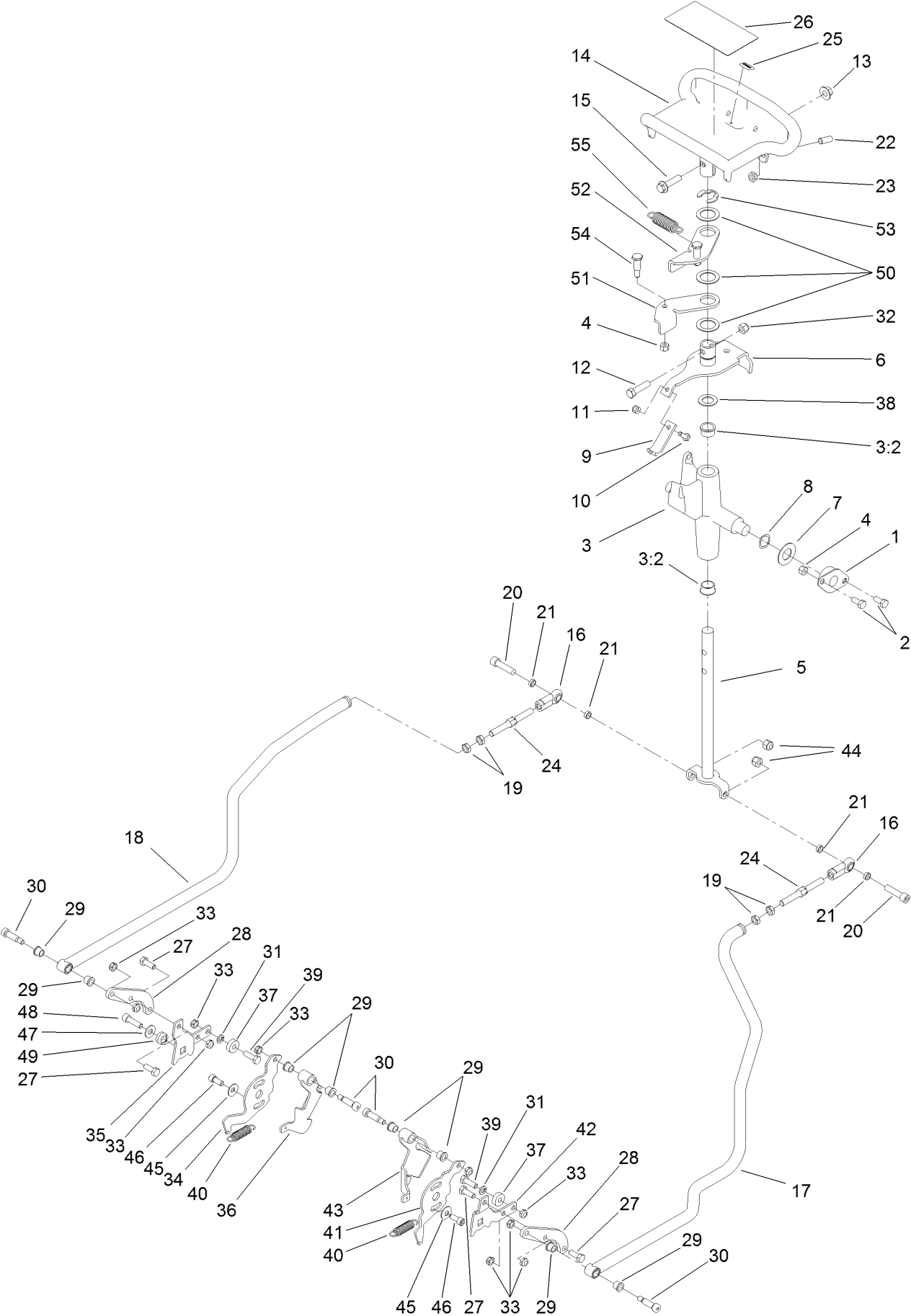
Hydraulic Gear Pump Assembly No. 117-6444



Hydraulic Gear Pump Assembly No. 117-6444 (continued)

| <i>Ref.</i> | <i>Part Number</i> | <i>Qty.</i> | <i>Description</i> |
|-------------|--------------------|-------------|--------------------|
| 1 | 138-5210 | 1 | Kit-Seal, Pump |

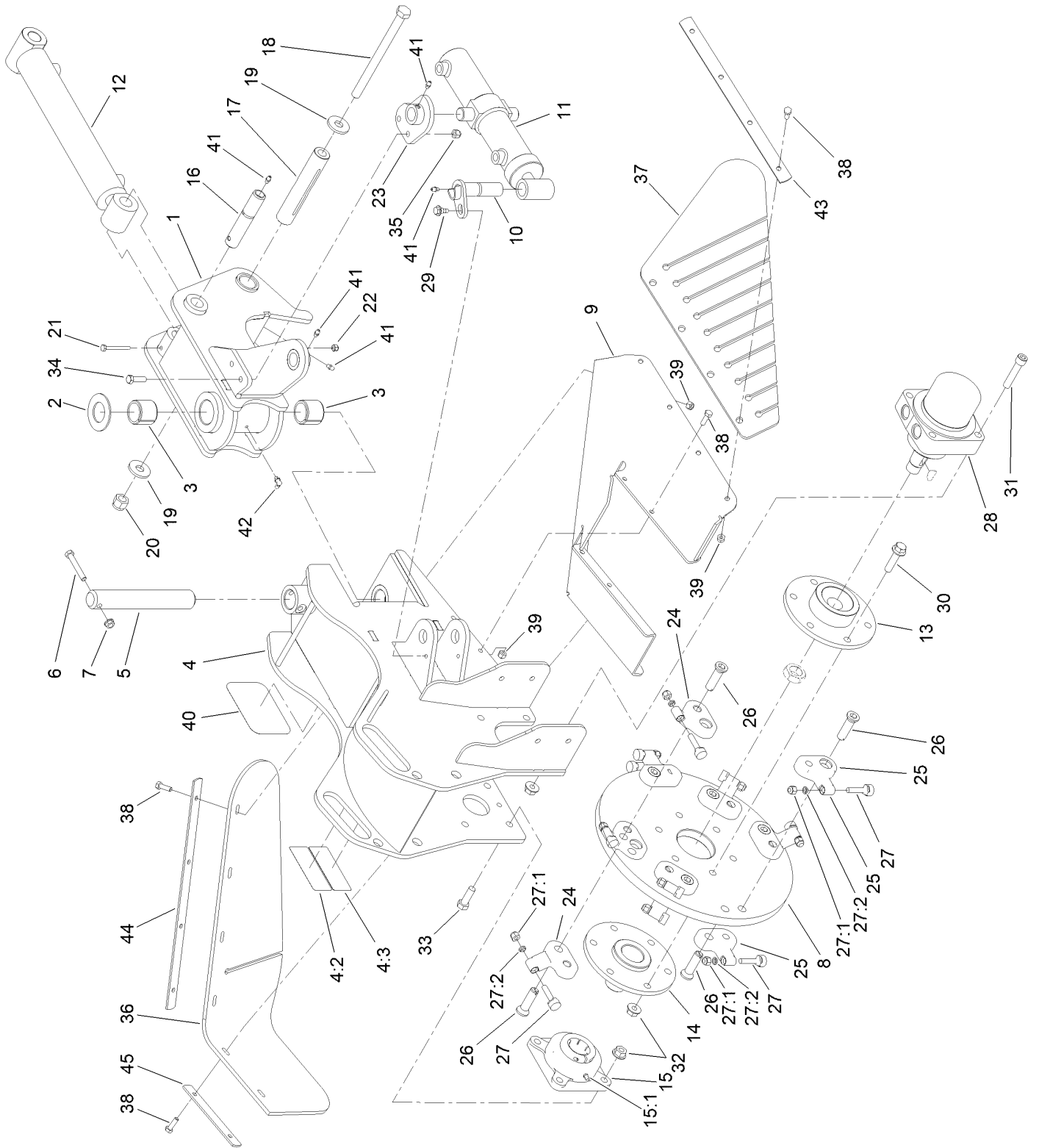
Control Assembly



Control Assembly (continued)

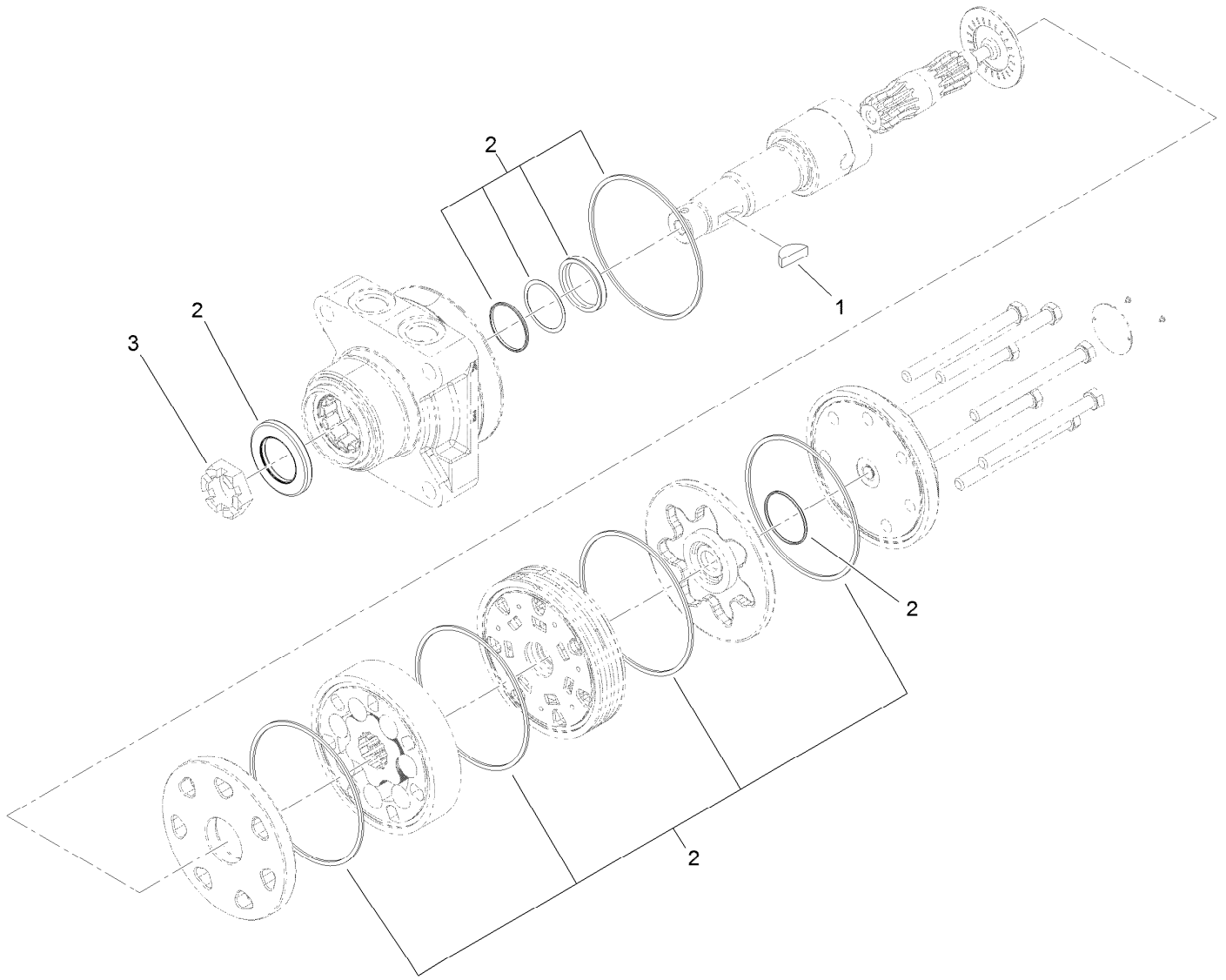
| <i>Ref.</i> | <i>Part Number</i> | <i>Qty.</i> | <i>Description</i> | <i>Ref.</i> | <i>Part Number</i> | <i>Qty.</i> | <i>Description</i> |
|-------------|--------------------|-------------|--------------------------|-------------|--------------------|-------------|----------------------------|
| 1 | 27-2320 | 2 | Bearing | 28 | 115-1290 | 2 | Plate-Adapter, Control, RH |
| 2 | 322-3 | 4 | Screw-HH | 29 | 256-116 | 8 | Bushing-Flange |
| 3 | 106-5737 | 1 | Control Support ASM | 30 | 114-8629 | 4 | Bolt-Shoulder |
| 3:2 | 256-252 | 2 | Bearing-Flange | 31 | 3253-4 | 2 | Washer-Lock |
| 4 | 3296-29 | 6 | Nut-Lock, NI | 32 | 3296-39 | 1 | Nut-Lock, NI |
| 5 | 117-6335 | 1 | Rod-Drive | 33 | 3296-47 | 10 | Nut-Lock,NI |
| 6 | 112-2783 | 1 | Lever-Pivot | 34 | 115-6535 | 1 | Plate-Base, RH |
| 7 | 3256-39 | 2 | Washer-Flat | 35 | 115-6536 | 1 | Plate-Arm, Return |
| 8 | 95-3703 | 2 | Washer-Spring, Wave | 36 | 115-6636 | 1 | Pivot-RH |
| 9 | 115-1204 | 1 | Plate-Neutral | 37 | 251-259 | 2 | Bearing-Ball |
| 10 | 321-4 | 1 | Screw-HH | 38 | 257-8 | 1 | Washer-Thrust |
| 11 | 3296-42 | 1 | Nut-Lock, NI | 39 | 322-5 | 2 | Screw-HH |
| 12 | 323-8 | 1 | Screw-HH | 40 | 121-4409 | 2 | Spring-Extension |
| 13 | 32128-43 | 1 | Nut-Flange | 41 | 115-6549 | 1 | Plate-Base, LH |
| 14 | 120-5380-03 | 1 | Handle-Control | 42 | 115-6628 | 1 | Plate-Arm, Return, LH |
| 15 | 3234-18 | 1 | Screw-HHF | 43 | 115-6637 | 1 | Pivot-LH |
| 16 | 103-1167 | 2 | Joint-Ball End, LH | 44 | 3296-39 | 2 | Nut-Lock, NI |
| 17 | 121-4511 | 1 | Rod-Control, LH | 45 | 3290-456 | 2 | Washer-Belleville |
| 18 | 121-4512 | 1 | Rod-Control, RH | 46 | 3273-14 | 2 | Screw-HSH |
| 19 | 3220-3 | 4 | Nut-HJ | 47 | 3256-3 | 2 | Washer-Flat |
| 20 | 3274-2 | 2 | Screw-HSH | 48 | 94-3559 | 2 | Screw-HSH |
| 21 | 108-0634 | 4 | Spacer-Plate, Retaining | 49 | 117-6429 | 2 | Lock-Trunion |
| 22 | 3247-6 | 2 | Screw-Set | 50 | 108-9743 | 3 | Washer-Plain |
| 23 | 3218-3 | 2 | Nut-Jam | 51 | 98-8407 | 1 | Lever-Return, RH |
| 24 | 121-4506 | 2 | Link-Control, Adjustment | 52 | 98-8408 | 1 | Lever-Return, LH |
| 25 | 98-1459 | 1 | Decal | 53 | 32151-91 | 1 | Ring-Retaining |
| 26 | 115-4020 | 1 | Decal-Traction | 54 | 63-2650 | 2 | Screw-Shoulder |
| 27 | 322-4 | 4 | Screw-HH | 55 | 108-4724 | 1 | Spring-Extension |

Frame and Cutter Wheel Assembly



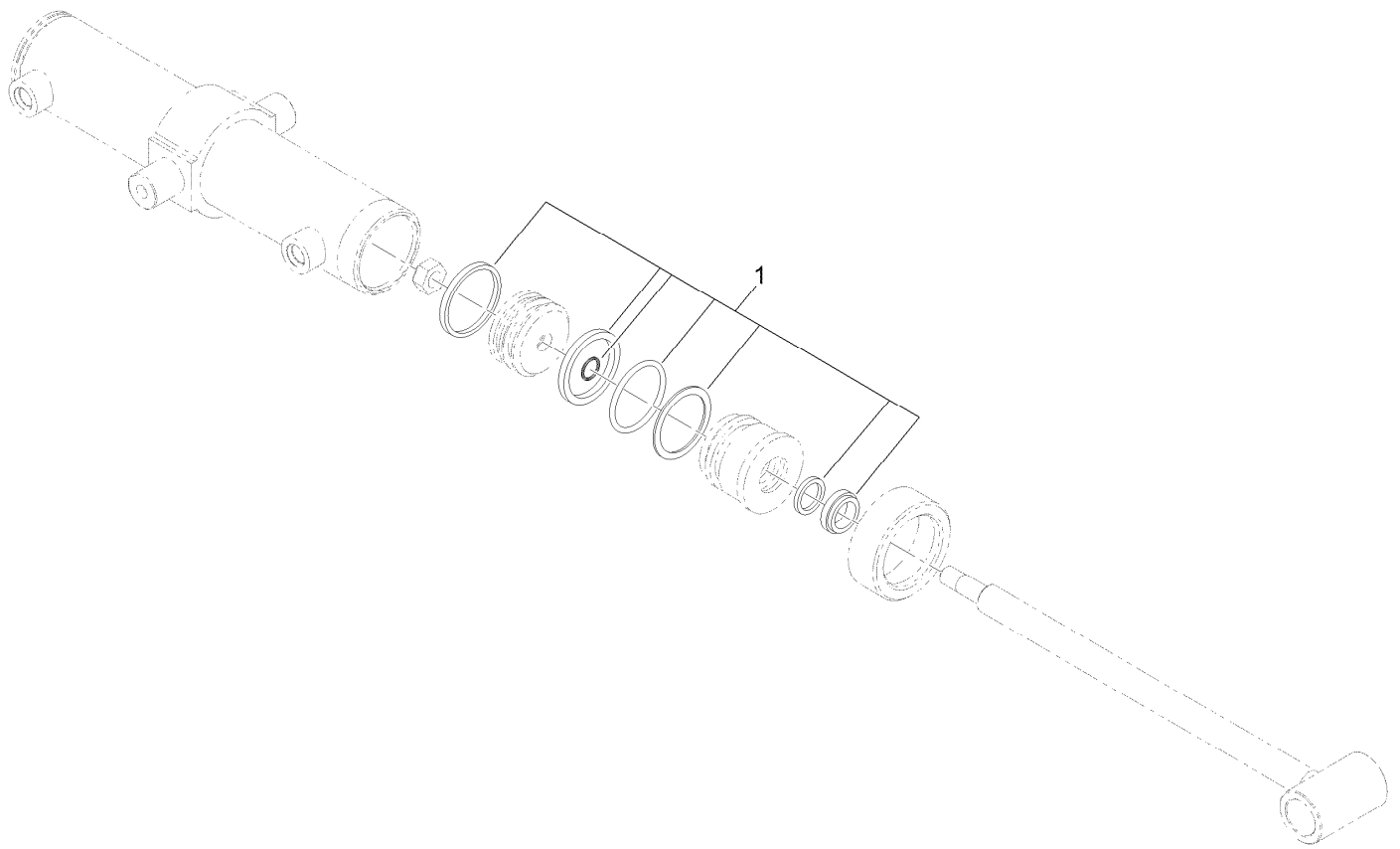
Frame and Cutter Wheel Assembly (continued)

| <i>Ref.</i> | <i>Part Number</i> | <i>Qty.</i> | <i>Description</i> | <i>Ref.</i> | <i>Part Number</i> | <i>Qty.</i> | <i>Description</i> |
|-------------|--------------------|-------------|--------------------|-------------|--------------------|-------------|------------------------|
| 1 | 117-6390-01 | 1 | Pivot | 23 | 115-9392-01 | 1 | Mount-Cylinder |
| 2 | 99-2707 | 1 | Washer | 24 | 115-9384 | 8 | Pocket-Angled |
| 3 | 99-2713 | 2 | Bushing-Tension | 25 | 115-9388 | 4 | Pocket-Straight |
| 4 | 119-4612 | 1 | Frame ASM | 26 | 115-9386 | 12 | Bolt-HSH, RH |
| 4:2 | 107-9366 | 1 | Decal-Warning | 27 | 115-9385 | 12 | Grinder Tooth ASM |
| 4:3 | 93-7321 | 1 | Decal-Danger | 27:1 | 3296-39 | 1 | Nut-Lock, NI |
| 5 | 117-6445 | 1 | Pin-Pivot | 27:2 | 121-4365 | 1 | Spacer-Tooth |
| 6 | 323-47 | 1 | Screw-HH | 28 | 127-9603 | 1 | HYD Motor ASM |
| 7 | 3290-357 | 1 | Nut-HSF | 29 | 99-5105 | 1 | Screw-Shoulder |
| 8 | 119-5050-03 | 1 | Wheel-Cutter | 30 | 3234-27 | 6 | Screw-HHF |
| 9 | 119-5064-03 | 1 | Guard-Chip | 31 | 3274-71 | 4 | Screw-HSH |
| 10 | 94-9797 | 1 | Pin-Pivot | 32 | 32128-49 | 14 | Nut-HHF |
| 11 | 117-6441 | 1 | HYD Cylinder ASM | 33 | 325-6 | 4 | Screw-HH |
| 12 | 121-1955 | 1 | HYD Cylinder ASM | 34 | 323-7 | 2 | Screw-HH |
| 13 | 119-4570-03 | 1 | Hub-Drive | 35 | 3296-39 | 2 | Nut-Lock, NI |
| 14 | 115-9395-03 | 1 | Shaft-Stub | 36 | 119-5060 | 1 | Shield-Rubber, RH |
| 15 | 104-2026 | 1 | Bearing | 37 | 119-5061 | 1 | Shield-Rubber, LH |
| 15:1 | 302-2 | 1 | Fitting-Grease | 38 | 322-5 | 14 | Screw-HH |
| 16 | 120-7352 | 1 | Pin-Pivot | 39 | 3296-29 | 14 | Nut-Lock, NI |
| 17 | 121-4571 | 1 | Spacer-Pivot | 40 | 104-3989 | 1 | Decal |
| 18 | 117-6327 | 1 | Bolt-HH | 41 | 302-5 | 5 | Fitting-Grease |
| 19 | 104-9216 | 2 | Washer-Hardened | 42 | 302-40 | 1 | Fitting-Grease, 90 DEG |
| 20 | 3296-53 | 1 | Nut-Lock, NI | 43 | 119-5118-03 | 1 | Strap-Retainer, LH |
| 21 | 321-18 | 1 | Screw-HH | 44 | 119-5119-03 | 1 | Strap-Retainer, Rear |
| 22 | 3296-42 | 1 | Nut-Lock, NI | 45 | 119-5120-03 | 1 | Strap-Retainer, RH |



Hydraulic Motor Assembly No. 127-9603

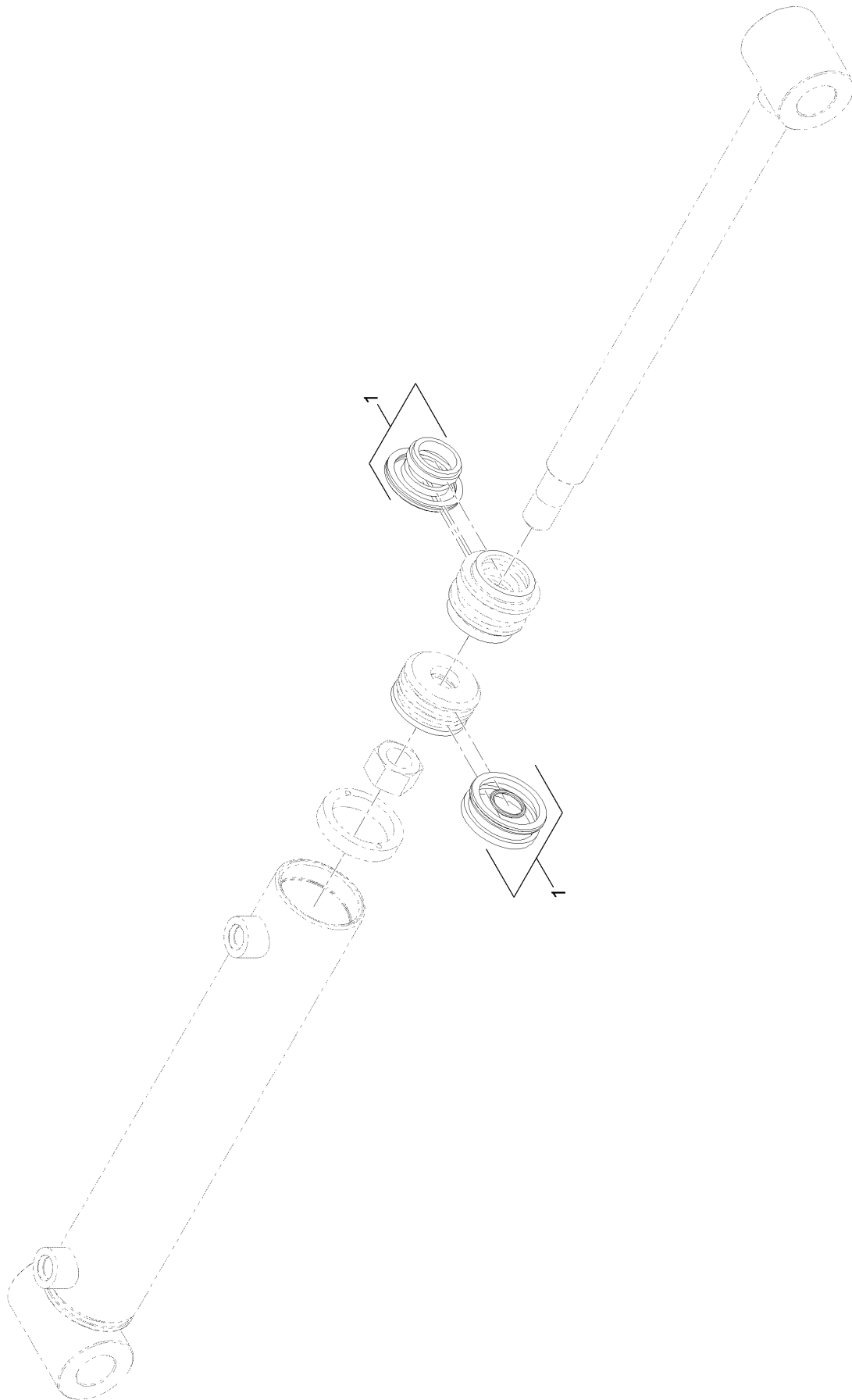
| <i>Ref.</i> | <i>Part Number</i> | <i>Qty.</i> | <i>Description</i> |
|-------------|--------------------|-------------|--------------------|
| 1 | 3257-42 | 1 | Key-Woodruff |
| 2 | 119-4631 | 1 | Seal Kit |
| 3 | 106-8159 | 1 | Nut-Lock |



Hydraulic Cylinder Assembly No. 117-6441

| <i>Ref.</i> | <i>Part Number</i> | <i>Qty.</i> | <i>Description</i> |
|-------------|--------------------|-------------|--------------------|
| 1 | 119-4632 | 1 | Seal Kit |

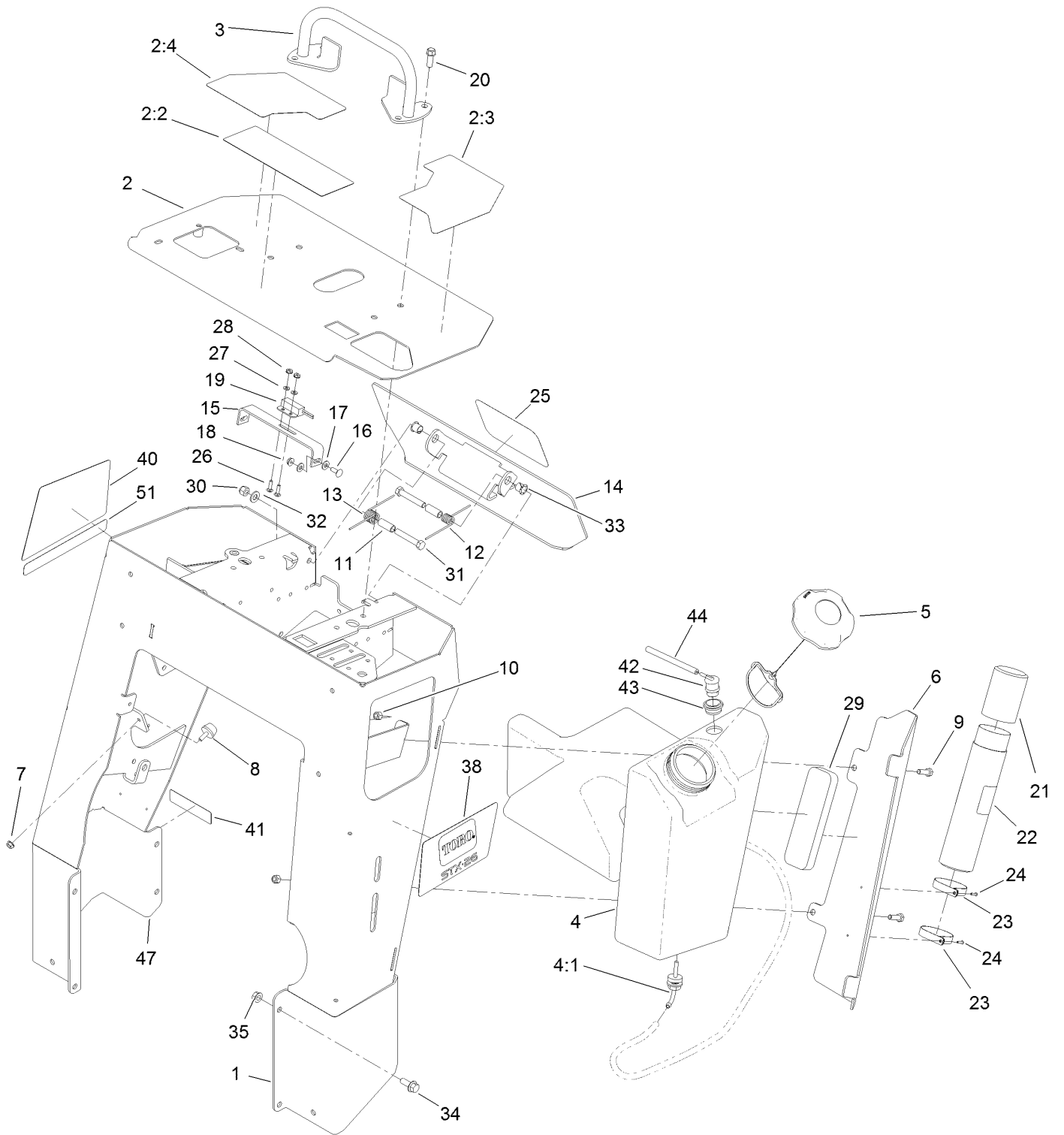
Hydraulic Cylinder Assembly No. 121-1955



Hydraulic Cylinder Assembly No. 121-1955 (continued)

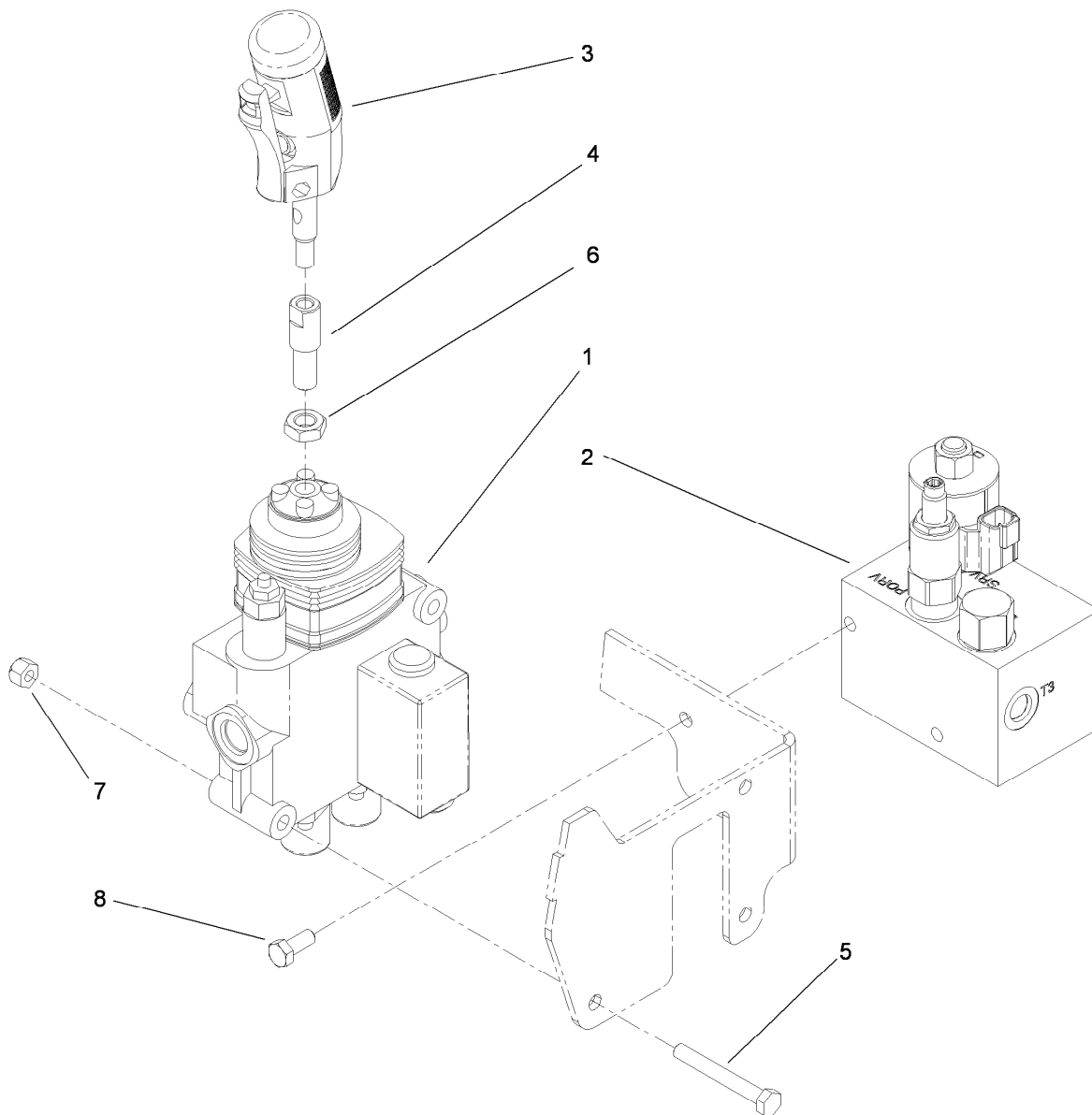
| <i>Ref.</i> | <i>Part Number</i> | <i>Qty.</i> | <i>Description</i> |
|-------------|--------------------|-------------|--------------------|
| 1 | 131-0665 | 1 | Seal Kit |

Tower and Fuel Tank Assembly



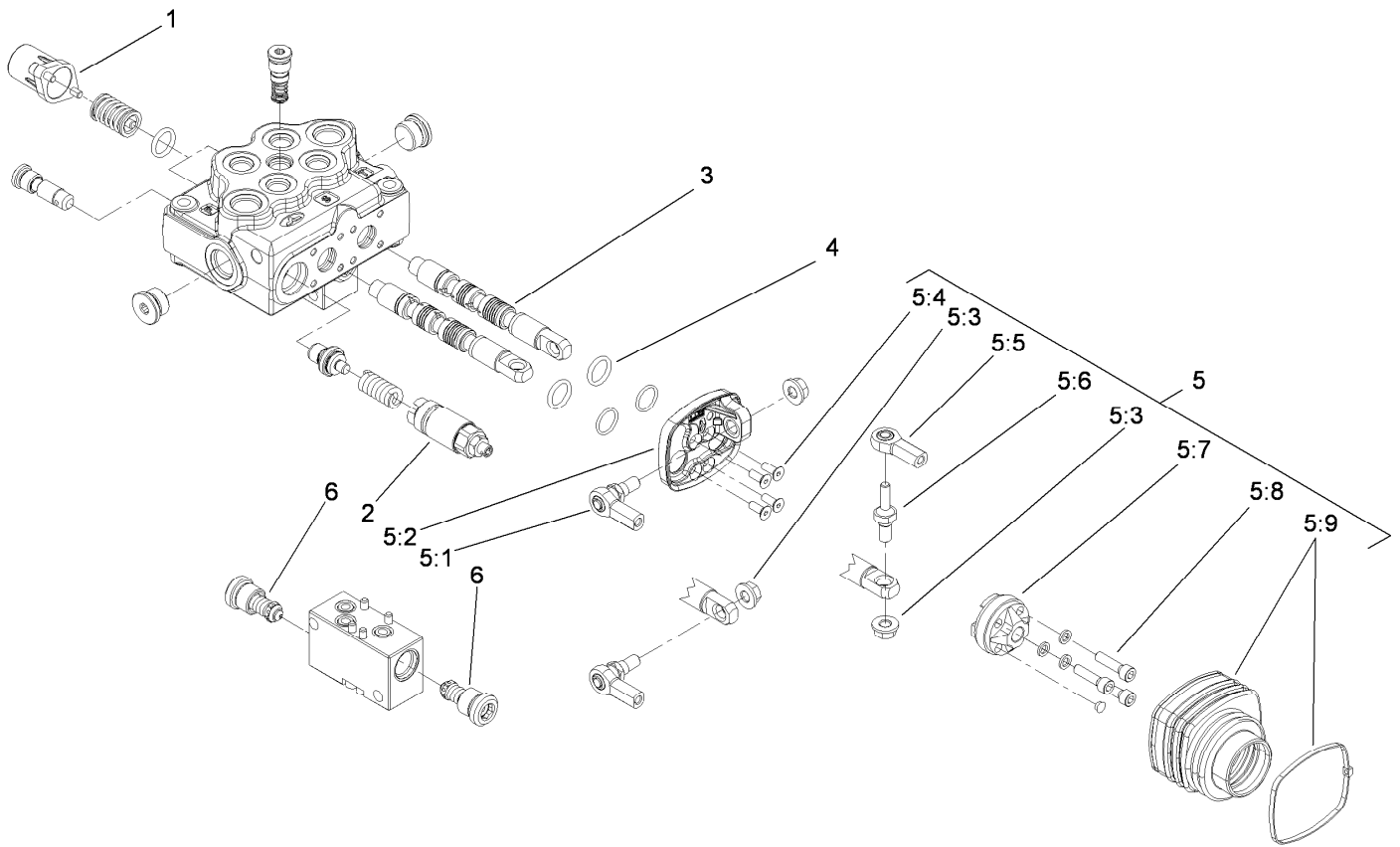
Tower and Fuel Tank Assembly (continued)

| <i>Ref.</i> | <i>Part Number</i> | <i>Qty.</i> | <i>Description</i> | <i>Ref.</i> | <i>Part Number</i> | <i>Qty.</i> | <i>Description</i> |
|-------------|--------------------|-------------|------------------------|-------------|--------------------|-------------|-----------------------|
| 1 | 119-5100-01 | 1 | Tower | 21 | 104-7048 | 1 | Cap-Housing |
| 2 | 119-4613 | 1 | Control Panel ASM | 22 | 104-7050 | 1 | Tube-Manual |
| 2:2 | 119-4606 | 1 | Decal-Warning | 23 | 2412-120 | 2 | Clamp-R |
| 2:3 | 119-4560 | 1 | Decal-Console, LH | 24 | 3269-17 | 2 | Rivet-Pop |
| 2:4 | 119-4561 | 1 | Decal-Console, RH | 25 | 105-1217 | 1 | Decal |
| 3 | 106-7715 | 1 | Bar-Reference | 26 | 3229-20 | 2 | Screw-CARR |
| 4 | 120-7359 | 1 | Tank-Fuel | 27 | 3256-51 | 2 | Washer-Flat |
| 4:1 | 103-2605 | 1 | Fitting-Fuel, Bulkhead | 28 | 32149-7 | 2 | Nut-Keps |
| 5 | 137-4119 | 1 | Cap-Fuel, Ratcheting | 29 | 107-7507 | 1 | Pad-Foam |
| 6 | 119-5086-01 | 1 | Bracket-Cover, Tank | 30 | 3296-39 | 2 | Nut-Lock, NI |
| 7 | 32128-33 | 1 | Nut-HF | 31 | 323-11 | 2 | Screw-HH |
| 8 | 1-523420 | 1 | Bumper | 32 | 3256-24 | 2 | Washer-Flat |
| 9 | 322-5 | 2 | Screw-HH | 33 | 256-257 | 2 | Bushing-Nyliner |
| 10 | 3296-29 | 2 | Nut-Lock, NI | 34 | 3234-11 | 8 | Screw-HHF |
| 11 | 114-1337 | 2 | Spacer-Spring | 35 | 32128-40 | 8 | Nut-Flange |
| 12 | 98-8425 | 1 | Spring-Torsion, LH | 38 | 119-4563 | 1 | Decal-Side, LH |
| 13 | 98-8424 | 1 | Spring-Torsion, RH | 40 | 119-4565 | 1 | Decal-Side, RH |
| 14 | 112-2786-03 | 1 | Plate-Reverse | 41 | 133-8062 | 1 | Decal-Arrestor, Spark |
| 15 | 100-1263 | 1 | Plate-Switch | 42 | 119-3547 | 1 | Valve-Vent, Fuel |
| 16 | 3229-1 | 2 | Screw-CARR | 43 | 114-0284 | 1 | Grommet |
| 17 | 3256-22 | 4 | Washer-Flat | 44 | 117-6395 | 1 | Hose-Vent, Tank |
| 18 | 32149-2 | 2 | Nut-Keps | 47 | 93-9084 | 2 | Decal-Point, Lift |
| 19 | 100-1270 | 1 | Switch-Proximity | 51 | 130-7577 | 1 | Decal-Intellisweep |
| 20 | 95-1726 | 4 | Screw-Taptite | | | | |



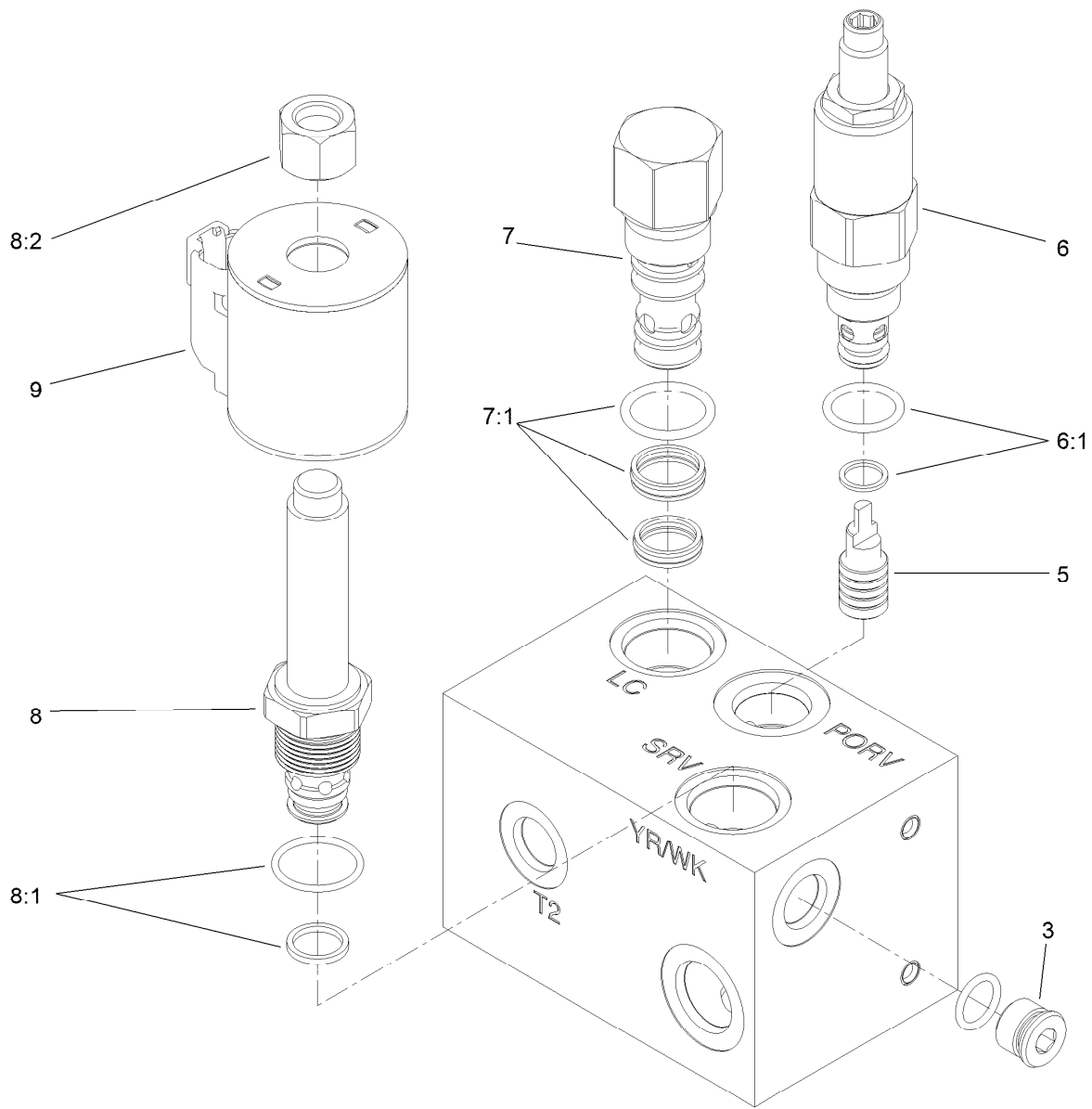
Control Valve Assembly

| Ref. | Part Number | Qty. | Description |
|------|-------------|------|----------------------------|
| 1 | 119-4585 | 1 | HYD Valve ASM |
| 2 | 119-4586 | 1 | Cutter Wheel Valve ASM |
| 3 | 119-4587 | 1 | Two Button Handle Grip ASM |
| 4 | 119-5103 | 1 | Adapter-Handle |
| 5 | 322-12 | 3 | Screw-HH |
| 6 | 51-2070 | 1 | Nut |
| 7 | 3296-29 | 3 | Nut-Lock, NI |
| 8 | 322-3 | 2 | Screw-HH |



Control Valve Assembly No. 119-4585

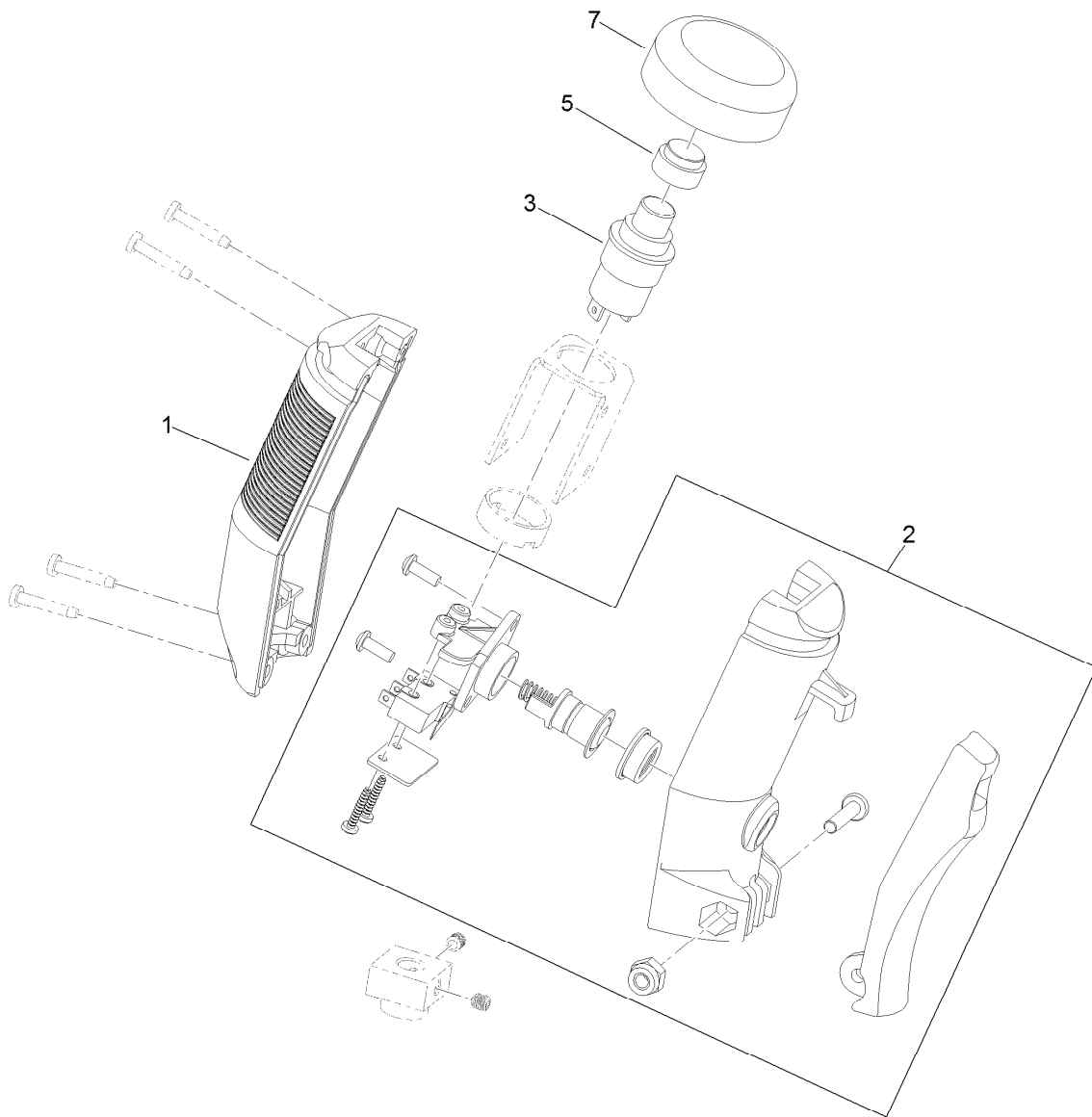
| Ref. | Part Number | Qty. | Description |
|------|-------------|------|-----------------------|
| 1 | 100-8801 | 2 | High Force Spring Kit |
| 2 | 100-8805 | 1 | Valve-Relief |
| 3 | 114-8625 | 2 | Valve-Spool |
| 4 | 106-7719 | 4 | Seal-Valve |
| 5 | 119-4622 | 1 | Joystick Kit |
| 5:1 | 119-4623 | 2 | Joint-Joystick |
| 5:2 | 119-4624 | 1 | Base-Joystick |
| 5:3 | 117-1350 | 3 | Nut-HF, Lock |
| 5:4 | 119-4625 | 4 | Screw-Joystick |
| 5:5 | 119-4626 | 1 | Joint-Joystick |
| 5:6 | 119-4627 | 1 | Pin-Spool |
| 5:7 | 119-4628 | 1 | Holder-Joystick |
| 5:8 | 3273-42 | 3 | Screw-HSH |
| 5:9 | 119-4629 | 1 | Boot-Joystick |
| 6 | 119-4630 | 2 | Valve Kit |



Cutter Wheel Valve Assembly No. 119-4586

| <i>Ref.</i> | <i>Part Number</i> | <i>Qty.</i> | <i>Description</i> |
|-------------|--------------------|-------------|----------------------------|
| 3 | 106-1026 | 1 | Plug-HYD |
| 5 | 105-9157 | 1 | Piston-Pilot |
| 6 | 119-4620 | 1 | Valve-Relief |
| 6:1 | 105-9156 | 1 | Seal Kit |
| 7 | 105-9153 | 1 | Element-Logic, Vented |
| 7:1 | 119-2159 | 1 | Seal Kit ● |
| 8 | 130-7609 | 1 | Valve-Relief, |
| 8:1 | 110-6316 | 1 | Seal Kit |
| 8:2 | 130-8180 | 1 | Nut-Coil (9/16-24 Unef-2B) |
| 9 | 119-4619 | 1 | Coil-Solenoid |

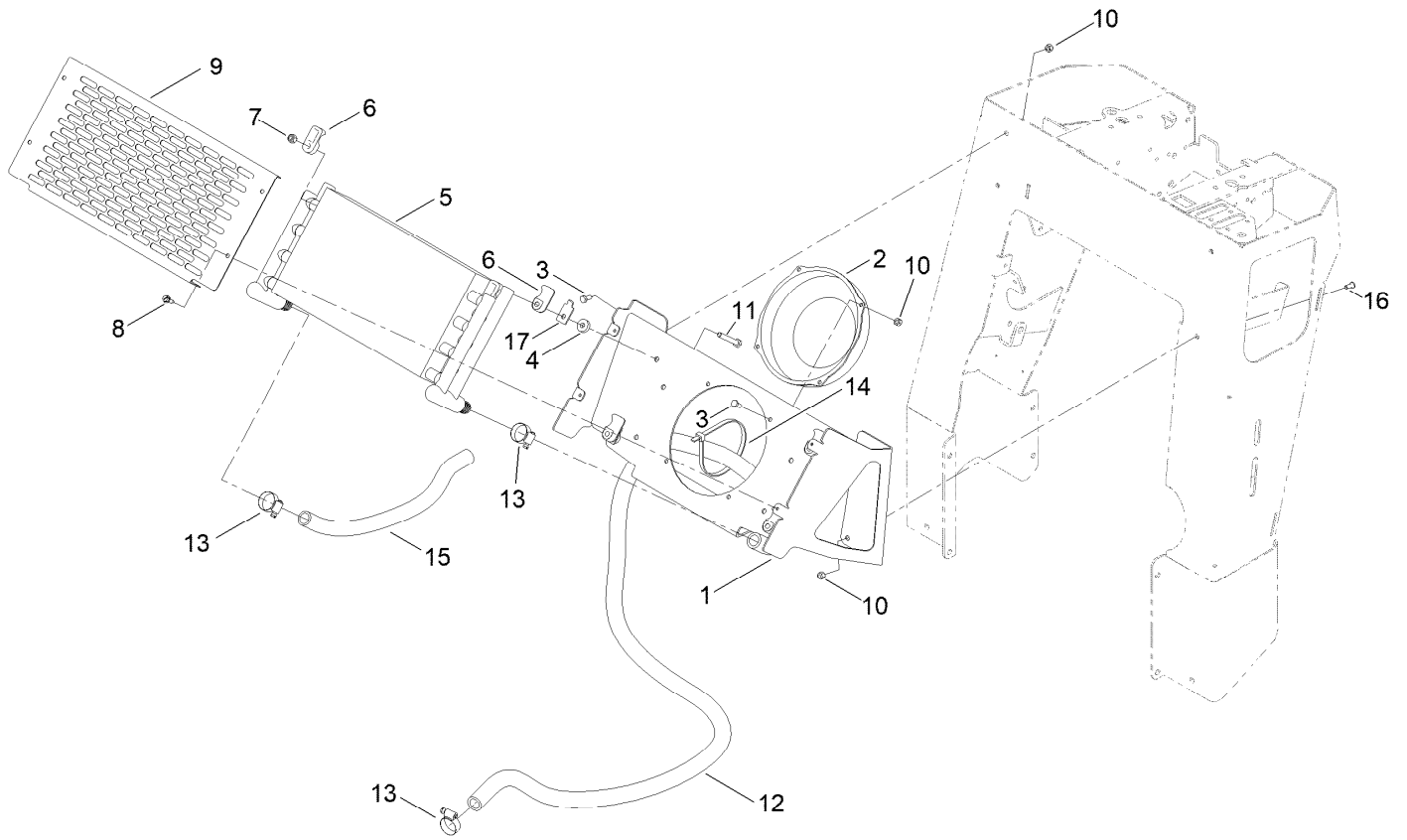
● Not illustrated



Two-Button Handle Grip Assembly No. 119-4587

| <i>Ref.</i> | <i>Part Number</i> | <i>Qty.</i> | <i>Description</i> |
|-------------|--------------------|-------------|--------------------|
| 1 | 119-4637 | 1 | Halve-Handle |
| 2 | 132-8660 | 1 | Switich Kit |
| 3 | 119-4640 | 1 | Button-Push, Top |
| 5 | 119-4642 | 1 | Button-Actuator |
| 7 | 119-4641 | 1 | Boot-Button |

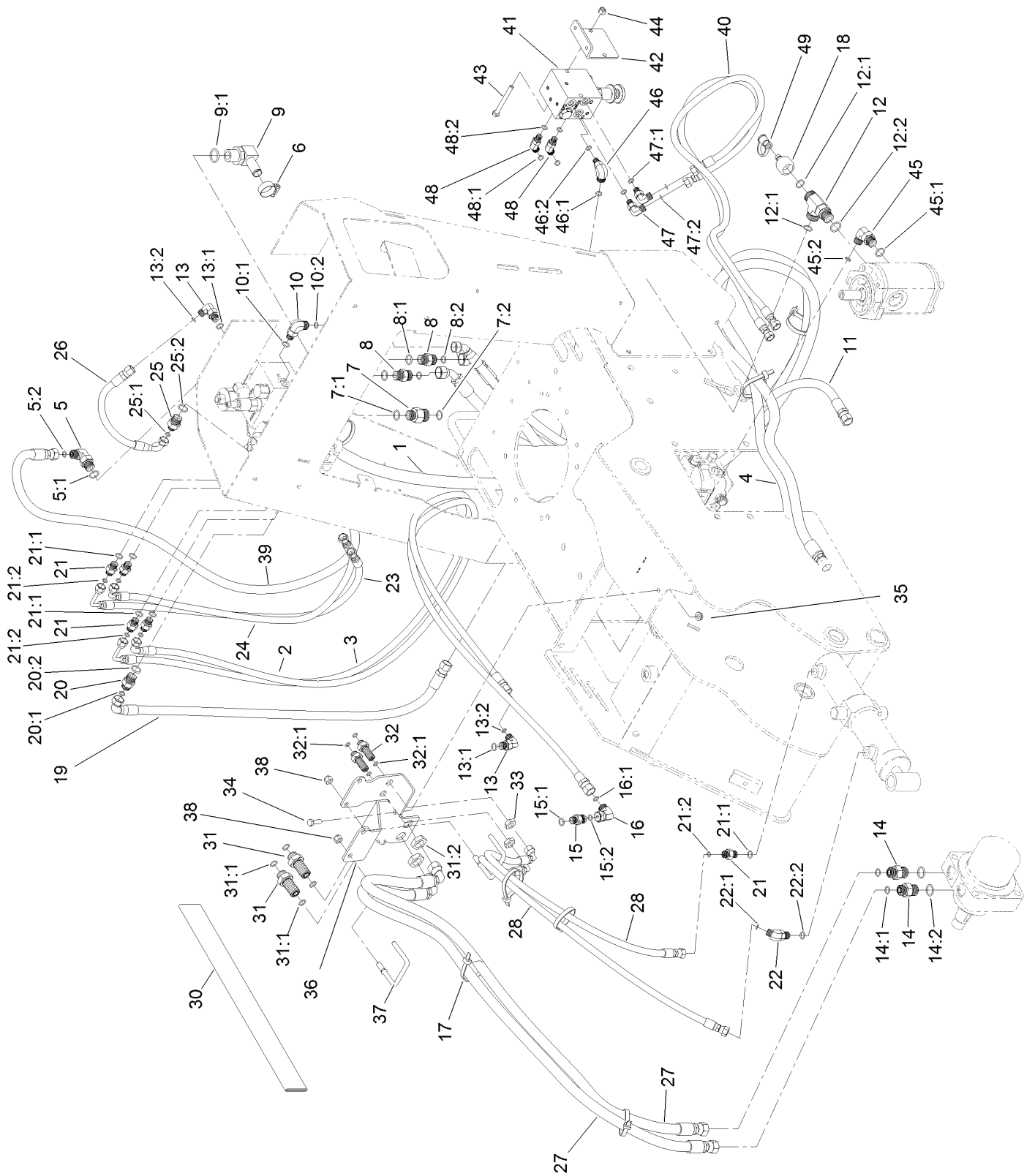
Oil Cooler Assembly



Oil Cooler Assembly (continued)

| <i>Ref.</i> | <i>Part Number</i> | <i>Qty.</i> | <i>Description</i> | <i>Ref.</i> | <i>Part Number</i> | <i>Qty.</i> | <i>Description</i> |
|-------------|--------------------|-------------|----------------------|-------------|--------------------|-------------|----------------------|
| 1 | 117-6296-01 | 1 | Mount-Cooler | 10 | 3296-42 | 8 | Nut-Lock, NI |
| 2 | 104-2809 | 1 | Fan | 11 | 322-11 | 4 | Screw-HH |
| 3 | 321-3 | 7 | Screw-HH | 12 | 119-4607 | 1 | Hose-Return |
| 4 | 26-4840 | 4 | Spacer-Pin, Mounting | 13 | 2412-129 | 3 | Clamp-Hose |
| 5 | 117-6320 | 1 | Cooler-Oil | 14 | 3334-945 | 1 | Tie-Cable |
| 6 | 131-0733 | 8 | Clamp | 15 | 119-4571 | 1 | Hose-Return |
| 7 | 3296-29 | 4 | Nut-Lock, NI | 16 | 3274-31 | 1 | Screw-HSBH |
| 8 | 32104-95 | 4 | Screw-HWH | 17 | 131-0642 | 4 | Plate-Support, Clamp |
| 9 | 119-4633-01 | 1 | Cover-Cooler | | | | |

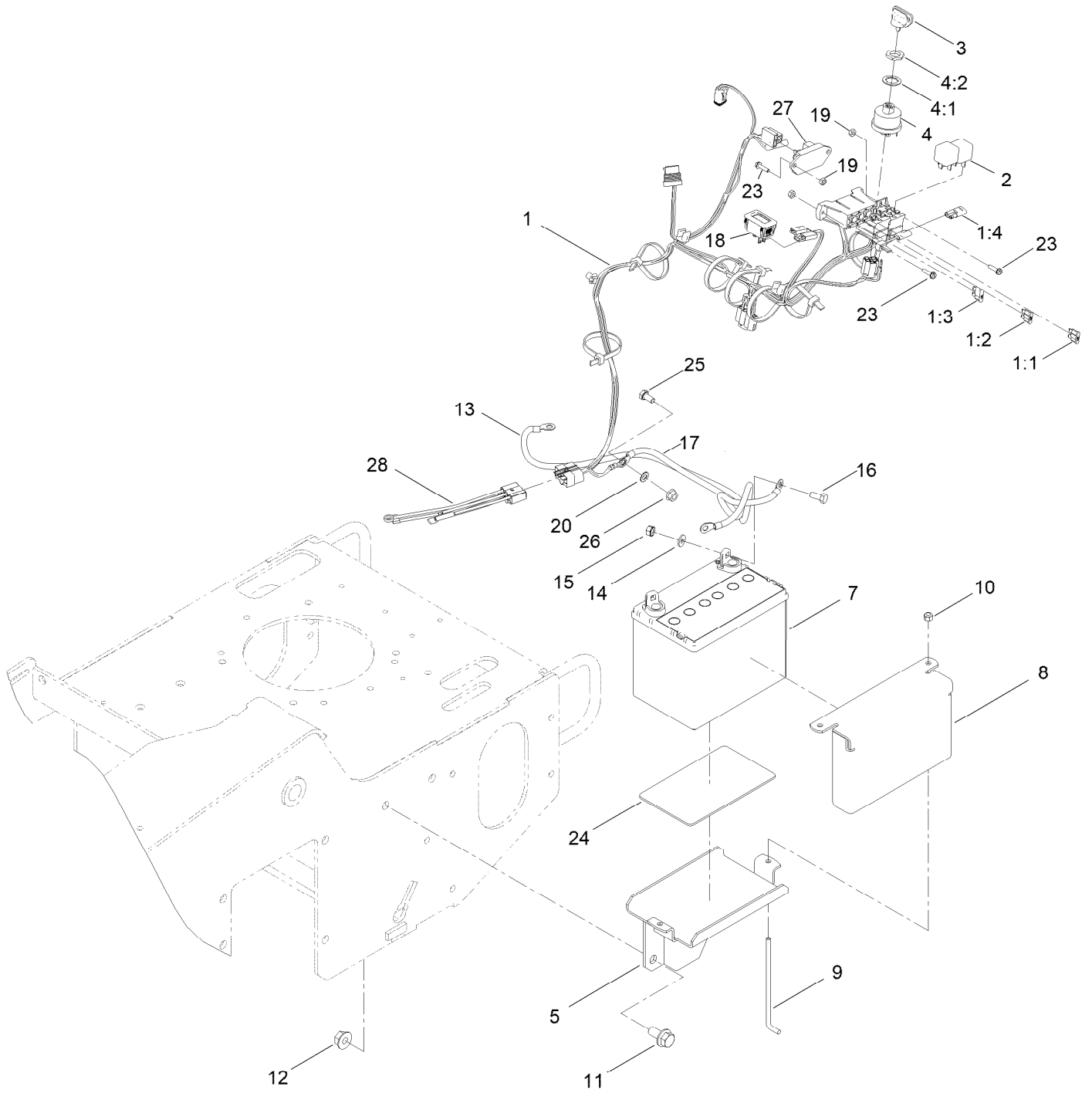
Hydraulic Hose Routing Assembly



Hydraulic Hose Routing Assembly (continued)

| <i>Ref.</i> | <i>Part Number</i> | <i>Qty.</i> | <i>Description</i> | <i>Ref.</i> | <i>Part Number</i> | <i>Qty.</i> | <i>Description</i> |
|-------------|--------------------|-------------|-----------------------|-------------|--------------------|-------------|-----------------------|
| 1 | 119-4589 | 1 | Hose-HYD | 22 | 340-137 | 1 | Fitting |
| 2 | 119-4590 | 1 | Hose-HYD | 22:1 | 237-21 | 1 | O-Ring |
| 3 | 119-4601 | 1 | Hose-HYD | 22:2 | 237-42 | 1 | O-Ring |
| 4 | 144-7457 | 2 | Hose ASM-HYD | 23 | 130-7602 | 1 | Hose-HYD |
| 5 | 340-18 | 1 | Fitting-HYD, 90 DEG | 24 | 130-7603 | 1 | Hose-HYD |
| 5:1 | 237-79 | 1 | O-Ring | 25 | 340-133 | 1 | Fitting-STR |
| 5:2 | 237-22 | 1 | O-Ring | 25:1 | 237-79 | 1 | O-Ring |
| 6 | 2412-129 | 1 | Clamp-Hose | 25:2 | 237-21 | 1 | O-Ring |
| 7 | 340-155 | 1 | Fitting-Straight | 26 | 119-4594 | 1 | Hose-HYD |
| 7:1 | 237-79 | 1 | O-Ring | 27 | 144-7458 | 2 | Hose ASM-HYD |
| 7:2 | 237-151 | 1 | O-Ring | 28 | 144-7459 | 2 | Hose ASM-HYD |
| 8 | 340-4 | 2 | Fitting-Straight | 30 | 99-5648 | 1 | Sleeve-Protective |
| 8:1 | 237-30 | 1 | O-Ring | 31 | 340-161 | 2 | Fitting-Bulkhead |
| 8:2 | 237-79 | 1 | O-Ring | 31:1 | 237-30 | 2 | O-Ring |
| 9 | 353-987 | 1 | Fitting-Elbow, 90 | 31:2 | 340-127 | 1 | Nut-Bulkhead |
| 9:1 | 237-81 | 1 | O-Ring | 32 | 94-1444 | 2 | Union-Bulkhead |
| 10 | 340-77 | 1 | Fitting-Elbow, 90 DEG | 32:1 | 237-21 | 2 | O-Ring |
| 10:1 | 237-22 | 1 | O-Ring | 33 | 340-78 | 2 | Nut-Lock |
| 10:2 | 237-42 | 1 | O-Ring | 34 | 322-5 | 1 | Screw-HH |
| 11 | 119-4602 | 1 | Hose-HYD | 35 | 32128-20 | 1 | Nut-HF |
| 12 | 340-22 | 1 | Fitting-Tee | 36 | 125-0263-03 | 1 | Bracket-Bulkhead |
| 12:1 | 237-65 | 2 | O-Ring | 37 | 121-4555 | 2 | Guide-Hose |
| 12:2 | 237-80 | 1 | O-Ring | 38 | 3296-39 | 2 | Nut-Lock, NI |
| 13 | 340-82 | 2 | Fitting-Elbow, 90 DEG | 39 | 130-7604 | 1 | Hose-HYD |
| 13:1 | 237-42 | 1 | O-Ring | 40 | 130-7605 | 2 | Hose-HYD |
| 13:2 | 237-21 | 1 | O-Ring | 41 | 121-4466 | 1 | Sweep Manifold ASM |
| 14 | 340-6 | 2 | Fitting-Straight | 42 | 130-1014-03 | 1 | Bracket-Valve |
| 14:1 | 237-30 | 1 | O-Ring | 43 | 322-14 | 2 | Screw-HH |
| 14:2 | 237-80 | 1 | O-Ring | 44 | 3296-29 | 2 | Nut-Lock, NI |
| 15 | 115-4081 | 1 | Valve-Check | 45 | 340-18 | 1 | Fitting-HYD, 90 DEG |
| 15:1 | 237-42 | 1 | O-Ring | 45:1 | 237-79 | 1 | O-Ring |
| 15:2 | 237-22 | 1 | O-Ring | 45:2 | 237-22 | 1 | O-Ring |
| 16 | 340-159 | 1 | Elbow-90 | 46 | 340-97 | 1 | Fitting-Elbow, 90 DEG |
| 16:1 | 237-22 | 2 | O-Ring | 46:1 | 237-22 | 1 | O-Ring |
| 17 | 3334-945 | 13 | Tie-Cable | 46:2 | 237-78 | 1 | O-Ring |
| 18 | 86-5860 | 1 | Nipple | 47 | 340-132 | 2 | Fitting-Elbow, 90 DEG |
| 19 | 119-4592 | 1 | Hose-HYD | 47:1 | 237-78 | 1 | O-Ring |
| 20 | 340-3 | 1 | Fitting-Straight | 47:2 | 237-21 | 1 | O-Ring |
| 20:1 | 237-22 | 1 | O-Ring | 48 | 340-103 | 2 | Fitting-HYD, 45 DEG |
| 20:2 | 237-79 | 1 | O-Ring | 48:1 | 237-78 | 1 | O-Ring |
| 21 | 340-1 | 5 | Fitting-Straight | 48:2 | 237-21 | 1 | O-Ring |
| 21:1 | 237-21 | 1 | O-Ring | 49 | 354-79 | 1 | Cap-Dust |
| 21:2 | 237-42 | 1 | O-Ring | | | | |

Battery and Electrical Assembly



Battery and Electrical Assembly (continued)

| <i>Ref.</i> | <i>Part Number</i> | <i>Qty.</i> | <i>Description</i> | <i>Ref.</i> | <i>Part Number</i> | <i>Qty.</i> | <i>Description</i> |
|-------------|--------------------|-------------|-------------------------------|-------------|--------------------|-------------|-------------------------|
| 1 | 119-4555 | 1 | Harness-Wire | 11 | 3234-6 | 2 | Screw-HHF |
| 1:1 | 109103 | 1 | Fuse-Blade, 30 Amp | 12 | 32128-49 | 2 | Nut-HHF |
| 1:2 | 109102 | 1 | Fuse-Blade, 25 Amp | 13 | 106-8945 | 1 | Cable-Battery, Positive |
| 1:3 | 109101 | 1 | Fuse-Blade, 20 Amp | 14 | 3256-2 | 2 | Washer-Flat |
| 1:4 | 116-0053 | 1 | Cap-Plug | 15 | 32149-1 | 2 | Nut-Keps |
| 2 | 98-7249 | 2 | Relay | 16 | 322-3 | 2 | Screw-HH |
| 3 | 63-8360 | 1 | Key-Ignition | 17 | 117-6422 | 1 | Cable-Battery, Black |
| 4 | 88-9830 | 1 | Key Switch ASM | 18 | 120-2244 | 1 | Hourmeter |
| 4:1 | 3254-5 | 1 | Washer-Lock | 19 | 3296-2 | 5 | Nut-Lock, NI |
| 4:2 | 218-461 | 1 | Nut-HH | 20 | 3255-8 | 1 | Washer-Lock |
| 5 | 105-3150-01 | 1 | Tray-Battery | 23 | 32105-13 | 5 | Screw-HWH |
| 7 | 99-7421 | 1 | Battery - Wet (300 CCA, 12 V) | 24 | 62-4300 | 1 | Pad-Skid, Anti |
| 8 | 115-6621-03 | 1 | Plate-Hold Down, Battery | 25 | 33114-016 | 1 | Screw-HH |
| 9 | 104-8567 | 2 | Holdown-Battery | 26 | 33004-00 | 1 | Nut-HF |
| 10 | 3296-42 | 2 | Nut-Lock, NI | 27 | 100-6170 | 1 | Module-Delay |
| | | | | 28 | 119-4604 | 1 | Harness |

Attachments and Accessories

For 23208 STX-26 Stump Grinder

| Product Name | Model/Part |
|------------------------------------|-------------------|
| Decal Kit | 145-6940 |
| CE Kit | 22368 |
| New Red Paint - Gallon | 361-11 |
| Semi-Gloss Black Spray Paint | 361-9 |
| Spark Arrestor Screen | 94-8157 |

Notes:

Notes:

Notes:



Count on it.