



Count on it.

Parts Catalog

**Workman® GTX
Lithium Utility Vehicle**

Model No. 07413TC—Serial No. 414400000 and Up



Ordering Replacement Parts

To order replacement parts, please supply the part number, the quantity, and the description of each part desired.

Understanding Reference Numbers

Each identified part in an illustration has a reference number. The reference number for a part also appears in the parts list, along with other information about the part.

This catalog uses two special reference number formats, one to indicate parts in a service assembly and another to indicate the quantity of a given part in an illustration.

Service Assembly Reference Numbers

Parts in service assemblies have reference numbers in the form a:b. The a represents the reference number of the entire service assembly and the b represents a sequential number unique to each part within the service assembly.

For example, a wheel assembly might be identified by reference number 6, the tire by 6:1, the valve by 6:2, and the wheel by 6:3. When you order the assembly identified by reference number 6, you receive all parts identified by reference numbers 6:1, 6:2, and 6:3. However, you may also order any part individually. Reference numbers of this type appear in illustration and in parts lists.

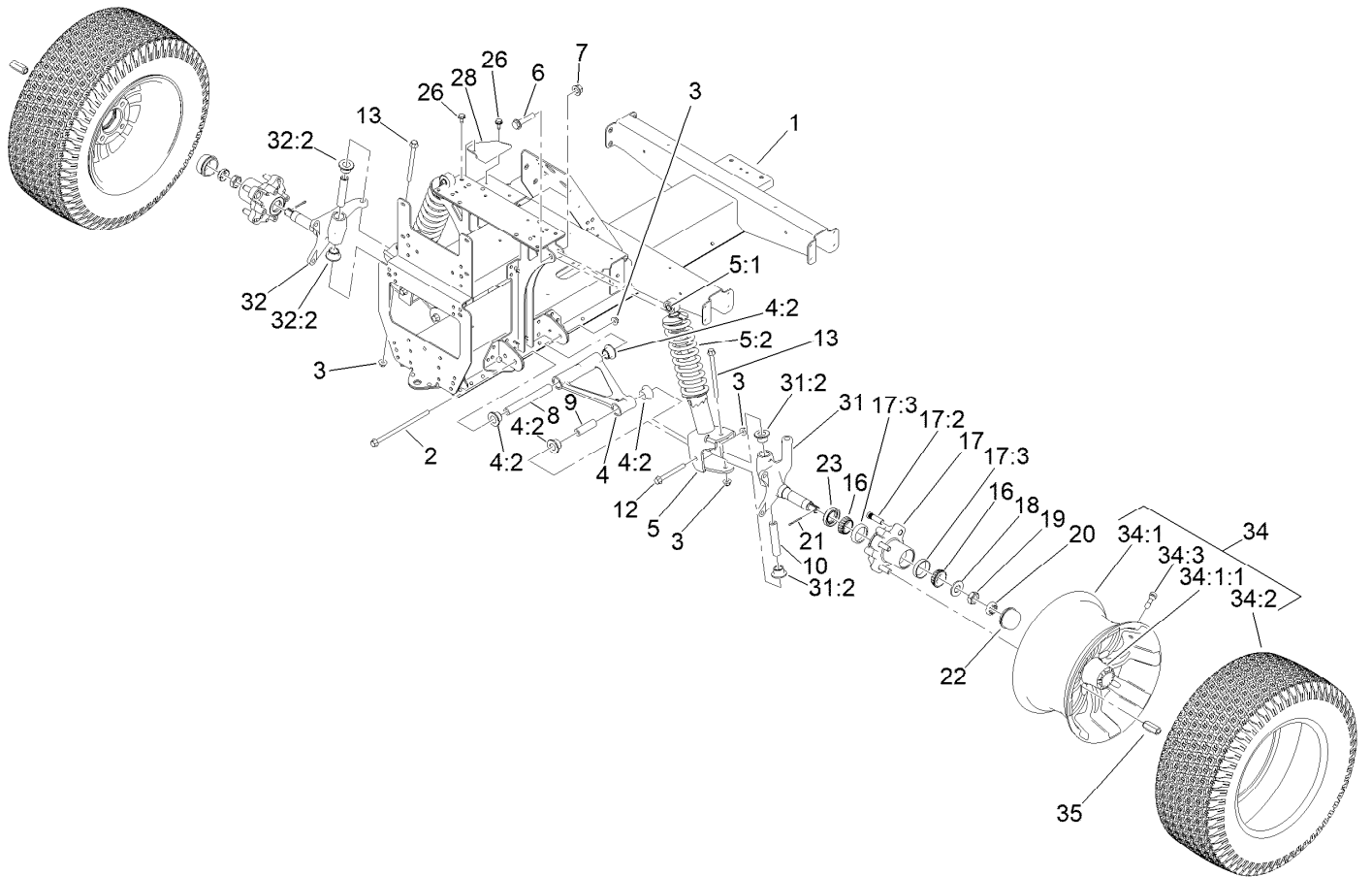
Reference Numbers Indicating Quantity

In an illustration, if a reference number indicates more than one part, the reference number has the form nX y. The n represents the quantity of the part, the X is the multiplication symbol, and the y represents the reference number.

For example, in an illustration, the reference number 2X 37 means that two of the parts identified by reference number 37 are indicated.

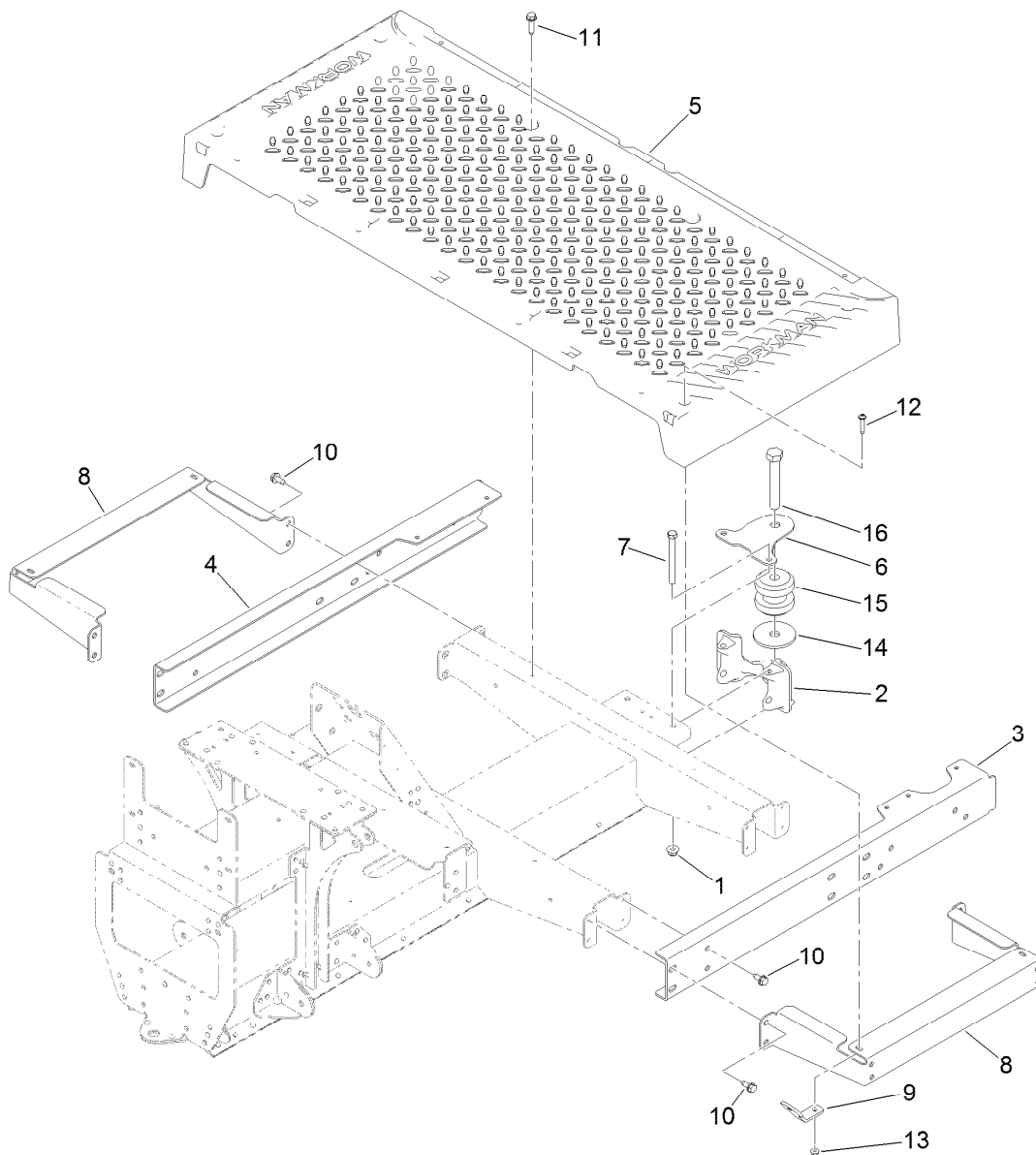
Contents

Front Frame and Suspension Assembly	4
Floor Plate and Rear Suspension Mount Assembly	5
Rear Frame and Suspension Assembly	6
Frame Mount and Rear Shock/Spring Assembly	7
Brake Assembly	8
Master Cylinder Assembly No. 104-6782	9
Brake Caliper Assembly No. 140-2575	10
Steering Assembly	11
Pedal and Control Assembly	12
Hood and Fender Assembly	13
Dash Assembly	14
Seatbase Assembly	15
Cargo Bed Assembly	16
Controller and Charger Assembly	17
Main Wire Harness Assembly No. 122-2488	19
Accelerator Pedal and Horn Assembly	20
Battery Cable Assembly	21
Rear Wheel and Transaxle Assembly	22
Transaxle Assembly No. 136-6340	23
Electric Motor Assembly No. 137-6936	24
Battery Assembly No. 04070	25
Attachments and Accessories	26



Front Frame and Suspension Assembly

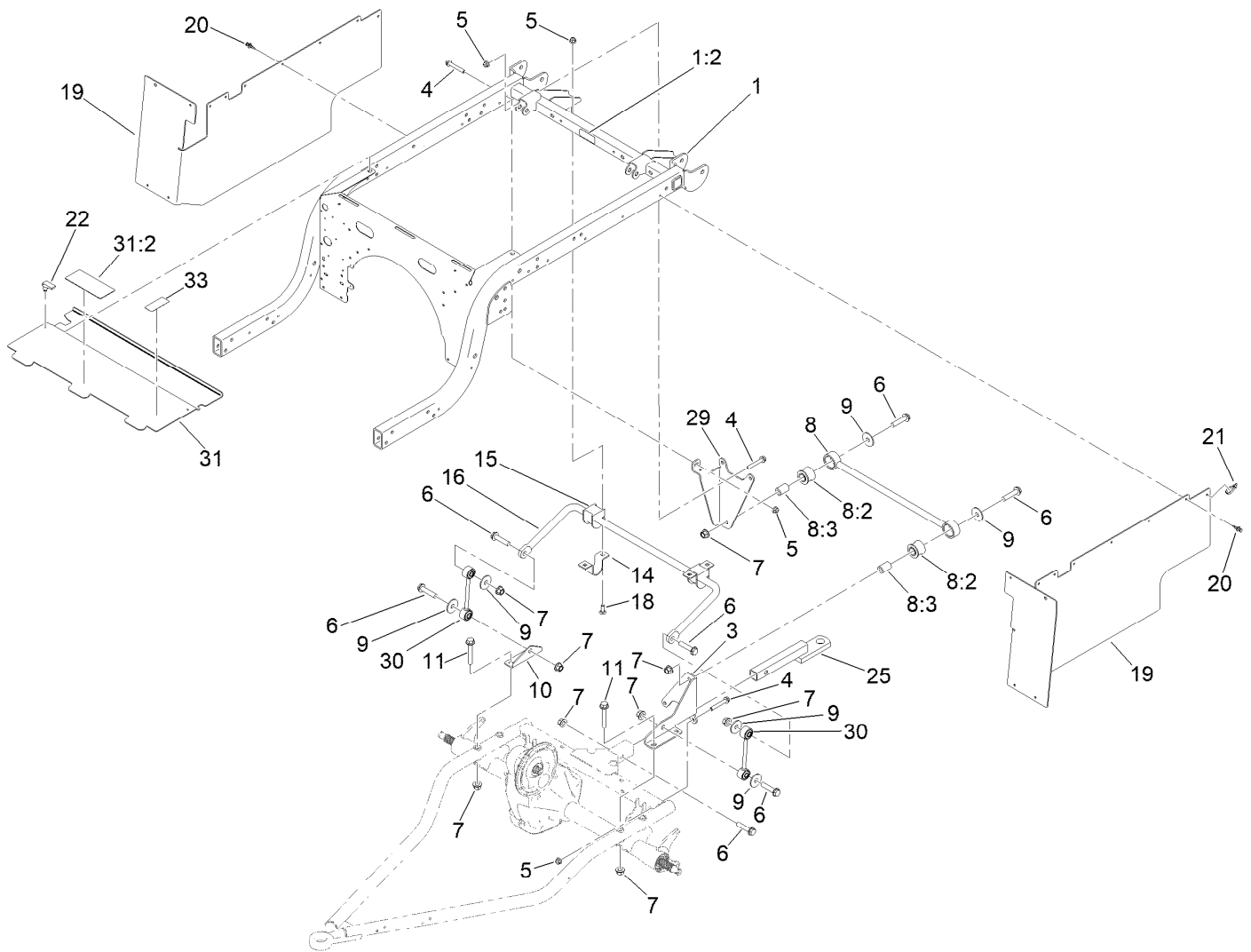
Ref.	Part Number	Qty.	Description	Ref.	Part Number	Qty.	Description
1	127-7718-03	1	Frame-Front	17:3	254-72	2	Bearing-Cup, Tapered
2	139-3360	2	Screw-HF	18	93-0309	2	Washer-Tab
3	139-3380	6	Nut-HF	19	3220-7	2	Nut-Jam
4	144-2161	2	Control Arm ASM	20	93-0307	2	Nut-Lock, Retainer
4:2	140-4615	4	Bushing-Flange	21	3272-12	2	Pin-Cotter
5	139-4484	2	Strut ASM, 250 Lb (16.33" EXT Length)	22	241-119	2	Cap-Dust
5:1	131-8574	1	Isolator-Shock	23	112-1690	2	Seal-Oil
5:2	137-6719	1	Spring-Compression, 250Lb	26	32144-70	2	Screw-HWHTF
6	3234-46	2	Screw-HHF	28	131-8339-03	1	Reinforcement-Tower
7	99-5107	2	Nut-Lock	31	147-2830	1	Spindle ASM, LH
8	131-8581	2	Sleeve-Control Arm, Inner	31:2	140-4615	2	Bushing-Flange
9	131-8583	2	Sleeve-Control Arm, Outer	32	147-2840	1	Spindle ASM, RH
10	131-8582	2	Sleeve-Kingpin	32:2	140-4615	2	Bushing-Flange
12	139-3370	2	Screw-HF	34	147-2763	2	Al Wheel And Tire ASM
13	139-3350	2	Screw-HF	34:1	147-2764	1	Wheel-Aluminum
16	254-94	4	Bearing-Cone, Tapered	34:1:1	147-2839	1	Cap-Aluminum Wheel
17	127-8851	2	Front Hub ASM	34:2	120-3271	1	Tire
17:2	10-6830	4	Stud-Type, Drive	34:3	232-27	1	Stem-Valve
				35	139-3603	8	Nut-Lug



Floor Plate and Rear Suspension Mount Assembly

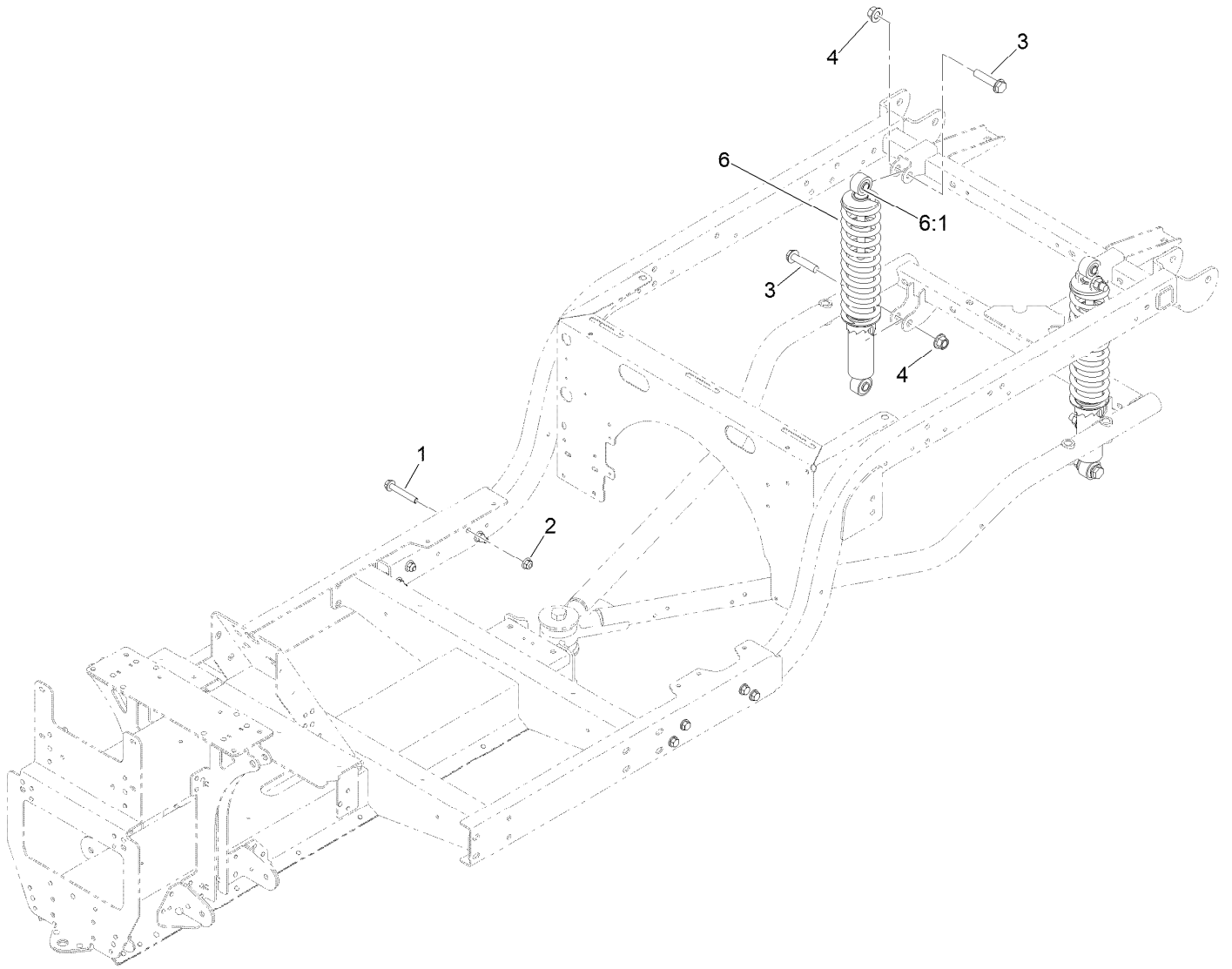
Ref.	Part Number	Qty.	Description
1	104-8301	2	Nut-HF, NI
2	131-8466	1	Mount-Suspension, Rear
3	127-7820-03	1	Channel-Frame, Front (LH)
4	127-7821-03	1	Channel-Frame, Front (RH)
5	127-7829	1	Plate-Floor
6	131-8597	1	Plate-Gimbal, Upper
7	323-42	2	Screw-HH
8	127-7837-03	2	Bracket-Support, Floor Plate

Ref.	Part Number	Qty.	Description
9	127-7832	2	Bracket-Angle
10	32144-70	16	Screw-HWHTF
11	32144-49	4	Screw-HWHTF
12	132-6777	4	Screw-Twh Thd Roll
13	104-7201	4	Nut-HF, NI
14	110-4549	1	Washer-Snubbing
15	131-8480	1	Isolator
16	104-5877	1	Screw-HH



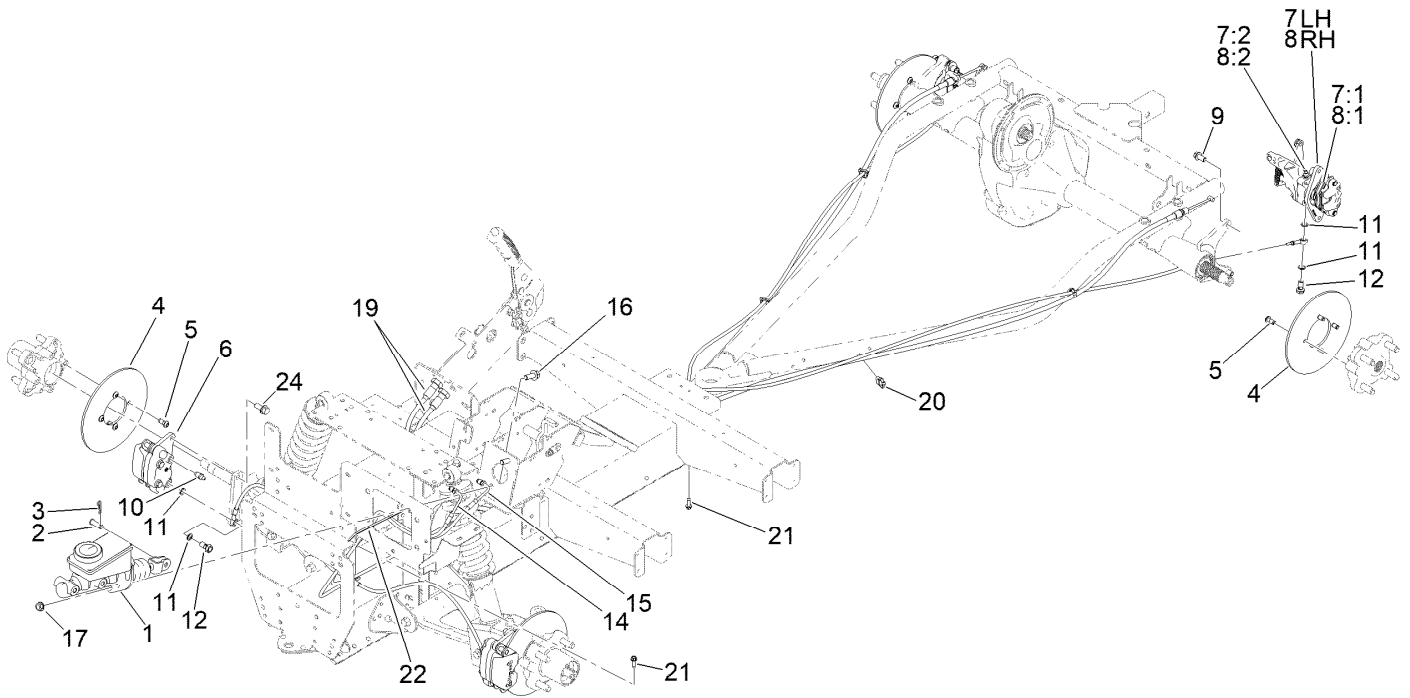
Rear Frame and Suspension Assembly

<i>Ref.</i>	<i>Part Number</i>	<i>Qty.</i>	<i>Description</i>	<i>Ref.</i>	<i>Part Number</i>	<i>Qty.</i>	<i>Description</i>
1	140-2498	1	Rear Frame ASM	15	87-3910	2	Bushing-Rubber
1:2	115-2047	1	Decal-Surface, Hot	16	131-8310-03	1	Bar-Sway, Anti
3	127-7411-03	1	Bracket-Bar, Stabilizer	18	3231-22	4	Screw-CARR
4	3234-39	5	Screw-HHF	19	131-8346	2	Panel-Side
5	104-8301	9	Nut-HF, NI	20	125-9622	20	Rivet-Blind
6	3234-46	7	Screw-HHF	21	3290-378	2	Tie-Cable
7	99-5107	11	Nut-Lock	22	74-5950	2	Latch-Swell
8	109-5013	1	Panhard Rod ASM	25	137-6741	1	Ball Mount ASM
8:2	109-5009	2	Bushing-Suspension, Rubber	29	139-4648-03	1	Bracket-Stabilizer Bar [black]
8:3	109-5010	2	Spacer	30	139-4606	2	Link ASM-Sway Bar
9	86-1990	6	Washer-Thrust	31	140-4573	1	Extended Panel-Cover
10	131-8315	1	Bracket-Link, Sway Bar	31:2	99-7345	1	Decal-Warning
11	3234-40	4	Screw-HF	33	145-8016	1	Decal-Gtx Electric
14	139-4644	2	Clamp, Anti-Sway Bar				



Frame Mount and Rear Shock/Spring Assembly

<i>Ref.</i>	<i>Part Number</i>	<i>Qty.</i>	<i>Description</i>
1	3234-39	8	Screw-HHF
2	104-8301	8	Nut-HF, NI
3	3234-46	4	Screw-HHF
4	99-5107	4	Nut-Lock
6	139-4608	2	Shock/Spring ASM
6:1	131-8574	2	Isolator-Shock



Brake Assembly

Ref.	Part Number	Qty.	Description	Ref.	Part Number	Qty.	Description
1	104-6782	1	Master Cylinder ASM	8:3	136-6328	2	Spring-Rattle, Anti ●
2	283-2	1	Pin-Clevis	9	144-5550	4	Screw-Spl
3	1-806003	1	Pin-Cotter	10	119-9509	2	Screw-Bleed
4	139-4474	4	Rotor-Brake	11	115-2341	8	Washer-Banjo
5	121-9671	16	Screw-HSBH	12	120-4875	4	Bolt-Flange, Banjo
6	140-2575	2	Brake Caliper ASM	14	127-7781	1	Brake Line-Front
7	140-2585	1	Brake Caliper ASM, LH	15	127-7782	1	Brake Line-Rear
7:1	140-2595	1	Brake Pad Service Kit (Rear, Qty 4)	16	3234-11	2	Screw-HHF
7:2	119-9509	1	Screw-Bleed	17	3290-357	2	Nut-HSF
7:3	136-6328	2	Spring-Rattle, Anti ●	19	131-8406	2	Cable-Park Brake
8	140-2590	1	Brake Caliper ASM, RH	20	32180-030	4	Clip-Tie
8:1	140-2595	1	Brake Pad Service Kit (Rear, Qty 4)	21	49-2040	2	Screw-HWHTF
8:2	119-9509	1	Screw-Bleed	22	3290-378	1	Tie-Cable
				24	3234-25	4	Screw-HHF

● Not illustrated



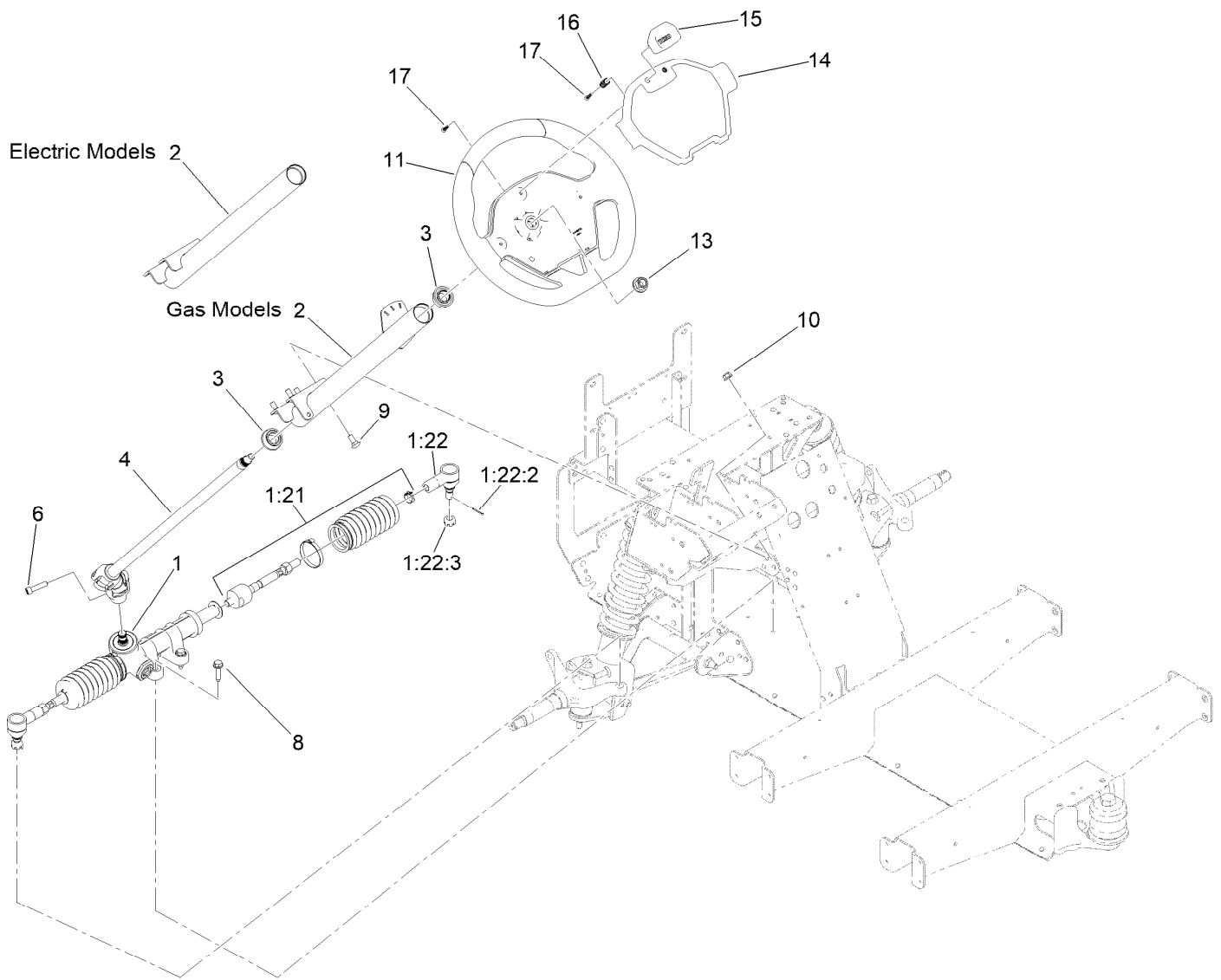
Master Cylinder Assembly No. 104-6782

Ref.	Part Number	Qty.	Description
1	104-6845	1	Reservoir ASM
1:1	92-4112	1	Cap ASM
2	93-8971	2	Seal-Port, Flange
3	92-4103	1	Pin-Stop
4	92-4102	1	Secondary Piston ASM
5	92-4110	1	Clevis
6	21-0360	1	Nut-Hex
7	94-5209	1	Cover-Dust
8	94-5210	1	Rod-Push
9	92-4109	1	Ring-Snap
10	92-4108	1	Retainer-Washer
11	92-4101	1	Primary Piston ASM



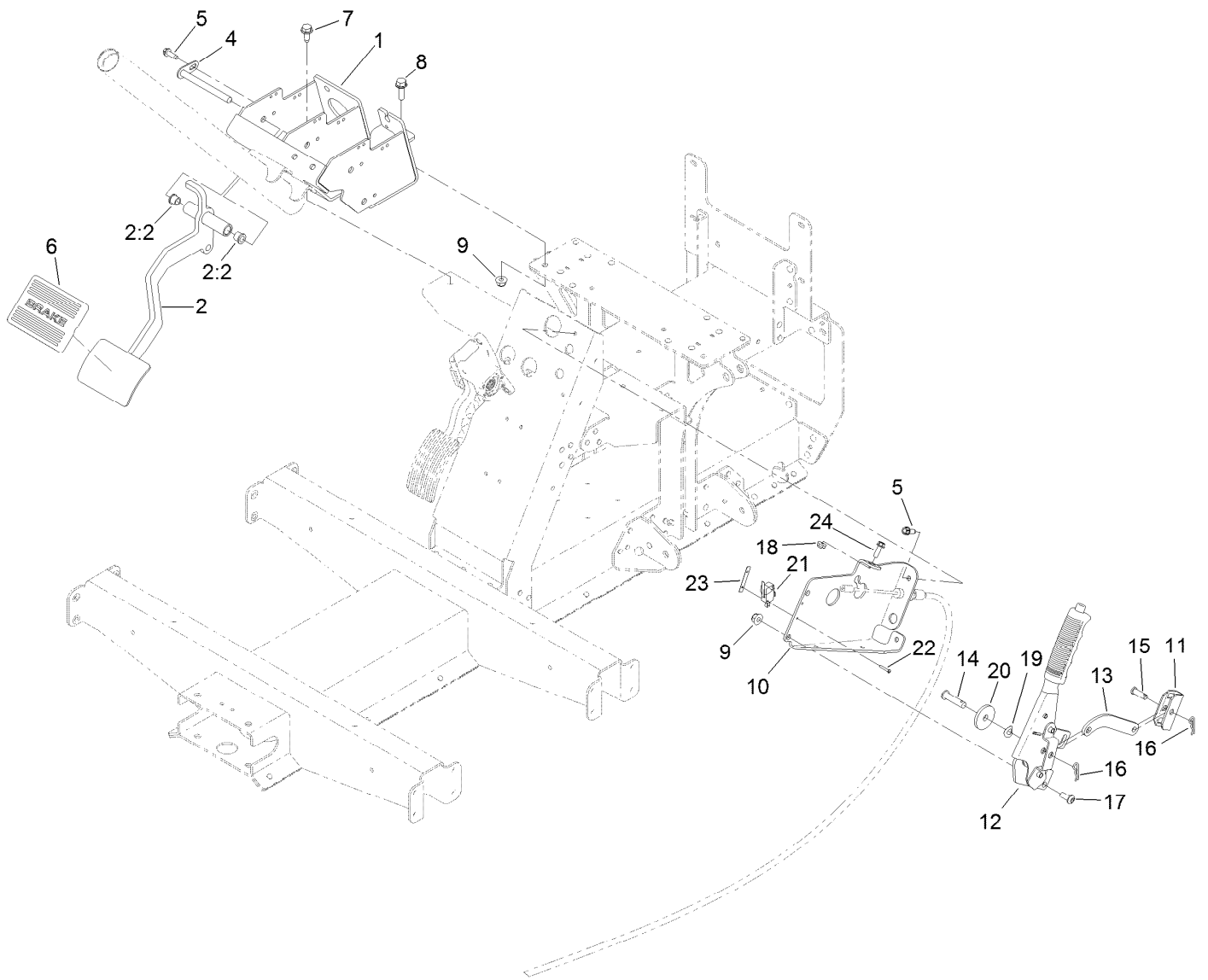
Brake Caliper Assembly No. 140-2575

<i>Ref.</i>	<i>Part Number</i>	<i>Qty.</i>	<i>Description</i>
1	140-2580	1	Brake Pad Service Kit (Front, Qty 4)
2	119-9511	1	Bracket Kit
3	133-0614	1	Piston Kit



Steering Assembly

<i>Ref.</i>	<i>Part Number</i>	<i>Qty.</i>	<i>Description</i>	<i>Ref.</i>	<i>Part Number</i>	<i>Qty.</i>	<i>Description</i>
1	138-0114	1	Steering Rack ASM	8	32144-49	4	Screw-HWHTF
1:21	140-4591	1	Kit-Tie Rod ASM, Gtx	9	3230-1	4	Bolt-CARR
1:22	140-4592	1	Kit-Rod End ASM	10	104-8300	4	Nut-HF, NI
1:22:2	3272-42	1	Pin-Cotter	11	144-5570	1	Steering Wheel ASM
1:22:3	140-2493	1	Nut-Hex, Slotted	13	99-5107	1	Nut-Lock
2	145-2056	1	Steering Column ASM, Gtx Electric	14	144-5567	1	Cover-Wheel, Steering
3	112-3262	2	Bearing	15	144-5566	1	Clip-Wheel, Steering
4	145-2050	1	Steering Shaft ASM	16	144-5537	2	Spring-Compression
6	145-7145	1	Screw-HSH,Lock	17	94-4496	5	Screw-PPH



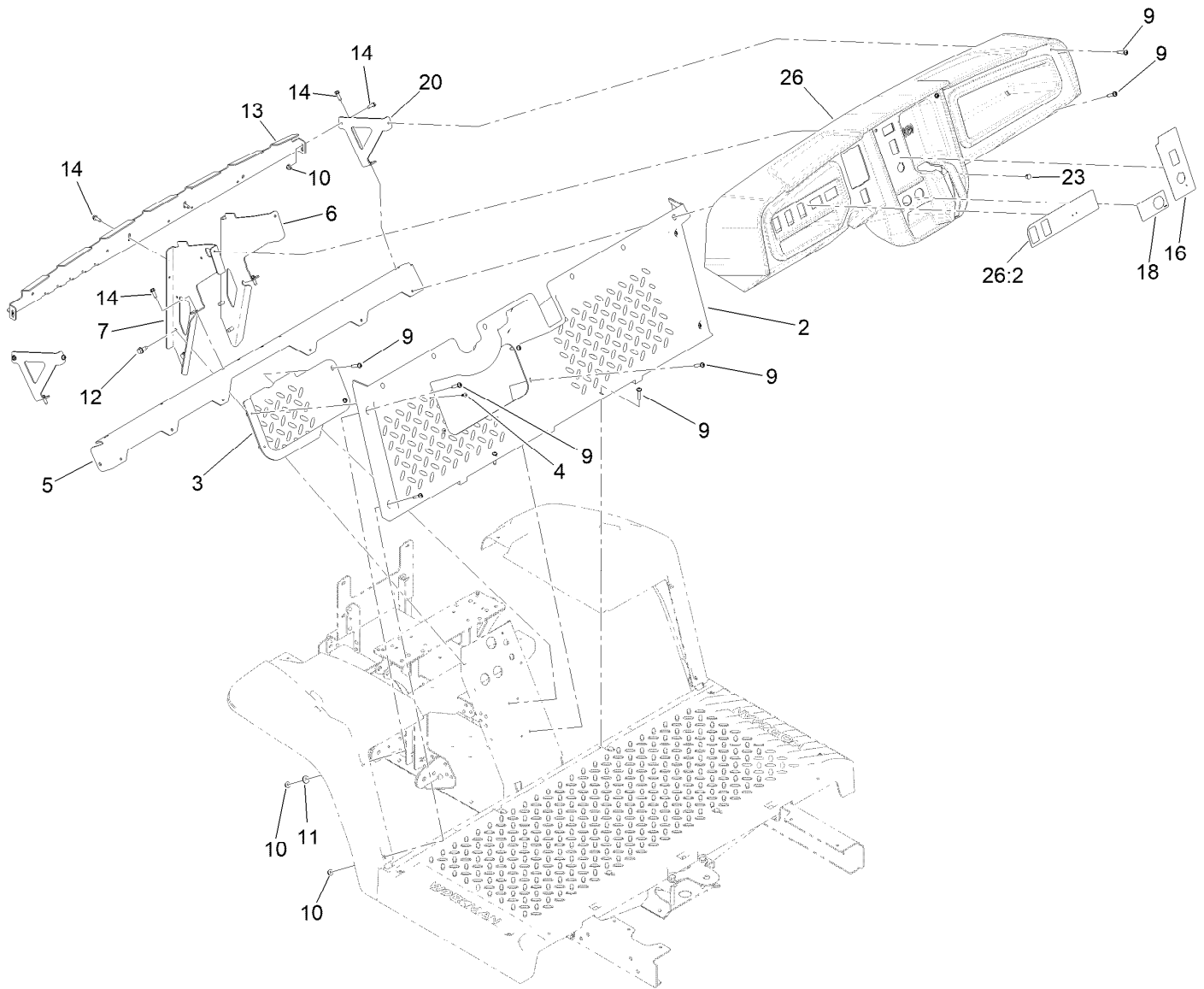
Pedal and Control Assembly

<i>Ref.</i>	<i>Part Number</i>	<i>Qty.</i>	<i>Description</i>	<i>Ref.</i>	<i>Part Number</i>	<i>Qty.</i>	<i>Description</i>
1	127-8817-03	1	Mount-Pedal	13	144-0516	1	Link-Park, Brake
2	138-9385	1	Brake Pedal ASM	14	283-10	1	Pin-Clevis
2:2	256-116	2	Bushing-Flange	15	1-808280	1	Pin-Clevis
4	131-8459	1	Shaft-Pivot	16	1-806003	2	Pin-Cotter
5	49-2040	3	Screw-HWHTF	17	3274-55	2	Screw-HSBH
6	7-3900	1	Pad-Brake	18	104-7201	1	Nut-HF, NI
7	32144-70	2	Screw-HWHTF	19	121-4605	1	Washer-Spring
8	3234-29	1	Screw-HHF	20	131-8496	1	Washer-Plain
9	104-8300	3	Nut-HF, NI	21	108-6496	1	Switch (W/Boot)
10	140-4836-03	1	Mount-Park Brake	22	3290-313	2	Screw-SPH
11	87-3480	1	Bracket-Equalizer, Cable	23	3290-354	1	Nut-Speed
12	131-8320	1	Lever-Brake, Park	24	115-5103	1	Screw-HHF



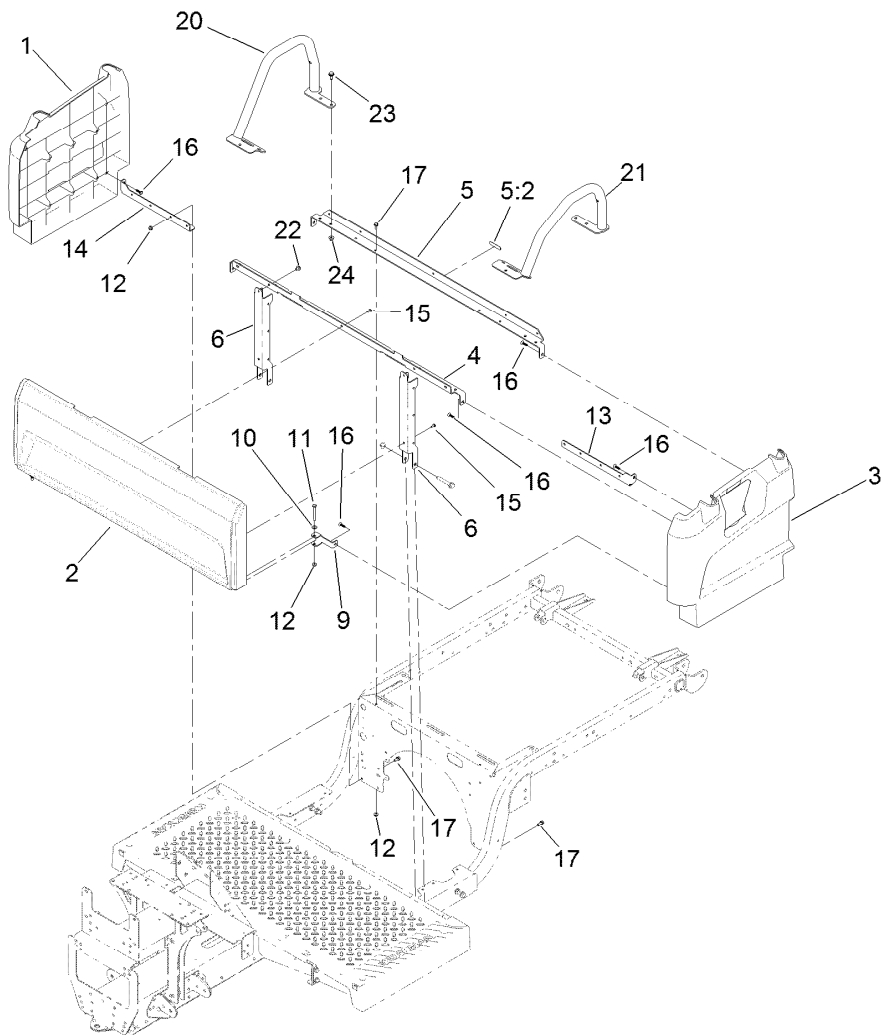
Hood and Fender Assembly

<i>Ref.</i>	<i>Part Number</i>	<i>Qty.</i>	<i>Description</i>	<i>Ref.</i>	<i>Part Number</i>	<i>Qty.</i>	<i>Description</i>
1	132-8530	1	Bumper	12	127-7771	1	Fender-Front, LH
2	131-8455-03	1	Bracket-Headlight, LH	13	127-7772	1	Fender-Front, RH
3	131-8456-03	1	Bracket-Headlight, RH	14	3234-33	4	Screw-HHF
4	46-8091	8	Screw-HWH	15	3256-2	4	Washer-Flat
5	138-9260	2	Headlight ASM	16	104-7201	4	Nut-HF, NI
6	115-2408	6	Clip-Speed	17	32144-70	2	Screw-HWHTF
7	136-6281	1	Hood	18	125-1122	2	Screw
8	117-5094	2	Pin-Clevis	19	131-8402	2	Strap-Down, Hold
9	32121-50	2	Pin-Spring	20	3296-56	2	Nut-Lock, NI
10	112-3308	2	Retainer-Pin	21	140-4585	2	Decal-Fender, Gtx, Lithium
11	121-9605	6	Screw-HWH	23	133-7210	1	Seal-Trim, Hood



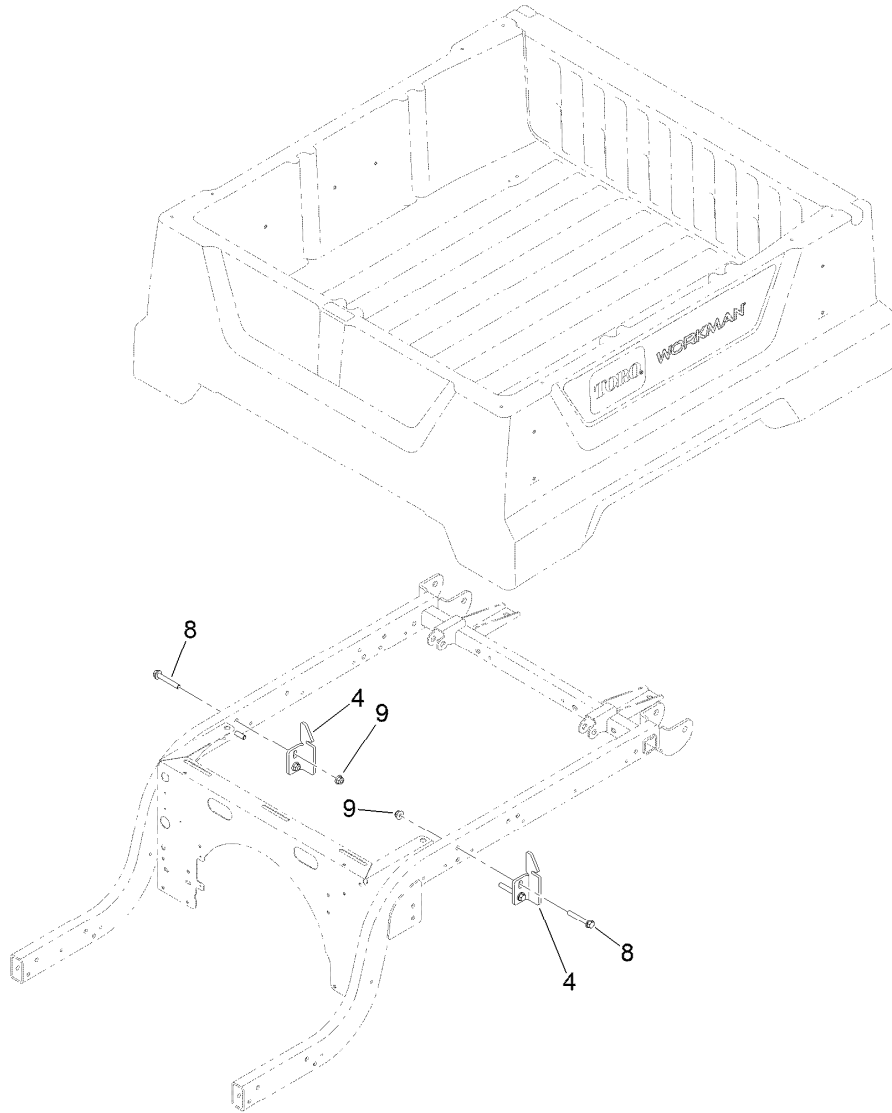
Dash Assembly

<i>Ref.</i>	<i>Part Number</i>	<i>Qty.</i>	<i>Description</i>	<i>Ref.</i>	<i>Part Number</i>	<i>Qty.</i>	<i>Description</i>
2	127-7846	1	Footboard	13	131-8568-03	1	Reinforcement-Dash
3	127-7847	1	Cover-Footboard	14	49-2040	8	Screw-HWHTF
4	107-7461	2	Screw-Plastite	16	145-2263	1	Decal-Control Panel, Electric
5	127-7831-03	1	Angle	18	131-8493	1	Decal-USB
6	131-8336-03	1	Bracket-Dash, RH	20	131-8569-03	2	Bracket-Dash, Side
7	145-2094-03	1	Bracket-Dash, LH	23	104-9368	1	Plug-Dome
9	132-6777	20	Screw-Twh Thd Roll	26:2	145-2098	1	Dash-Gtx Lithium
10	104-7201	6	Nut-HF, NI	26:2	145-2261	1	Decal-Dashboard, Gtx
11	3256-2	2	Washer-Flat				
12	32144-70	4	Screw-HWHTF				



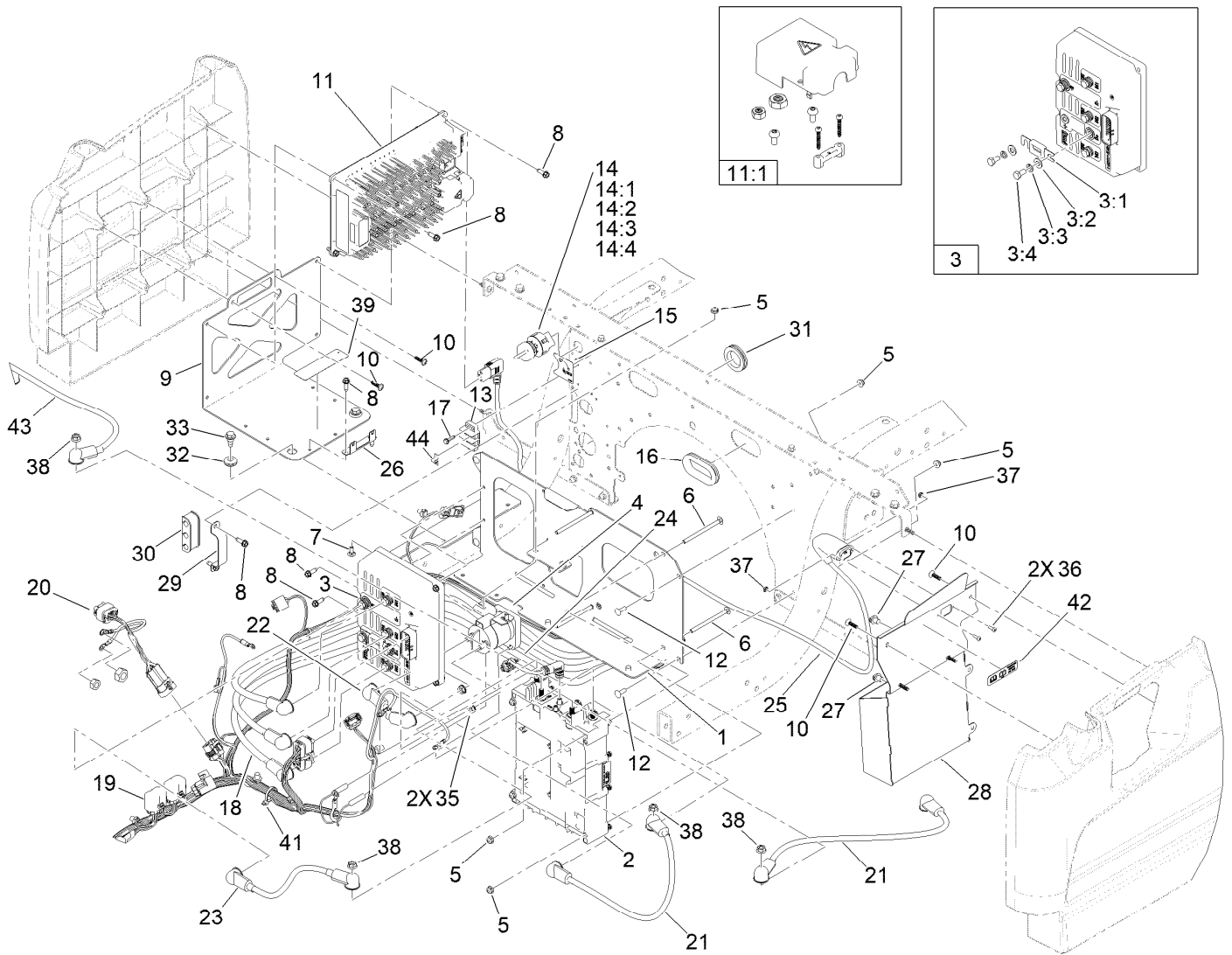
Seatbase Assembly

Ref.	Part Number	Qty.	Description	Ref.	Part Number	Qty.	Description
1	127-7805	1	Side-Base, Seat (RH)	13	127-7842-03	1	Bracket-Support, Side (LH)
2	133-7188	1	Panel-Base, Seat	14	127-7843-03	1	Bracket-Support, Side (RH)
3	127-7807	1	Side-Base, Seat (LH)	15	112-6349	5	Screw-HWH
4	133-7345-03	1	Support-Seat	16	120-2349	8	Screw
5	137-6991	1	Seat Support ASM	17	3234-33	6	Screw-HHF
5:2	120-9570	1	Decal-Warning	20	145-2075-05	1	Hip Restraint ASM, RH
6	127-7841-03	2	Channel-Support, Seat	21	145-2070-05	1	Hip Restraint ASM, LH
9	127-7844-03	2	Clamp-Plate, Floor	22	46-6810	2	Screw And Washer ASM
10	3256-22	2	Washer-Flat	23	32144-70	6	Screw-HWHTF
11	321-18	2	Screw-HH	24	104-8300	6	Nut-HF, NI
12	104-7201	8	Nut-HF, NI				



Cargo Bed Assembly

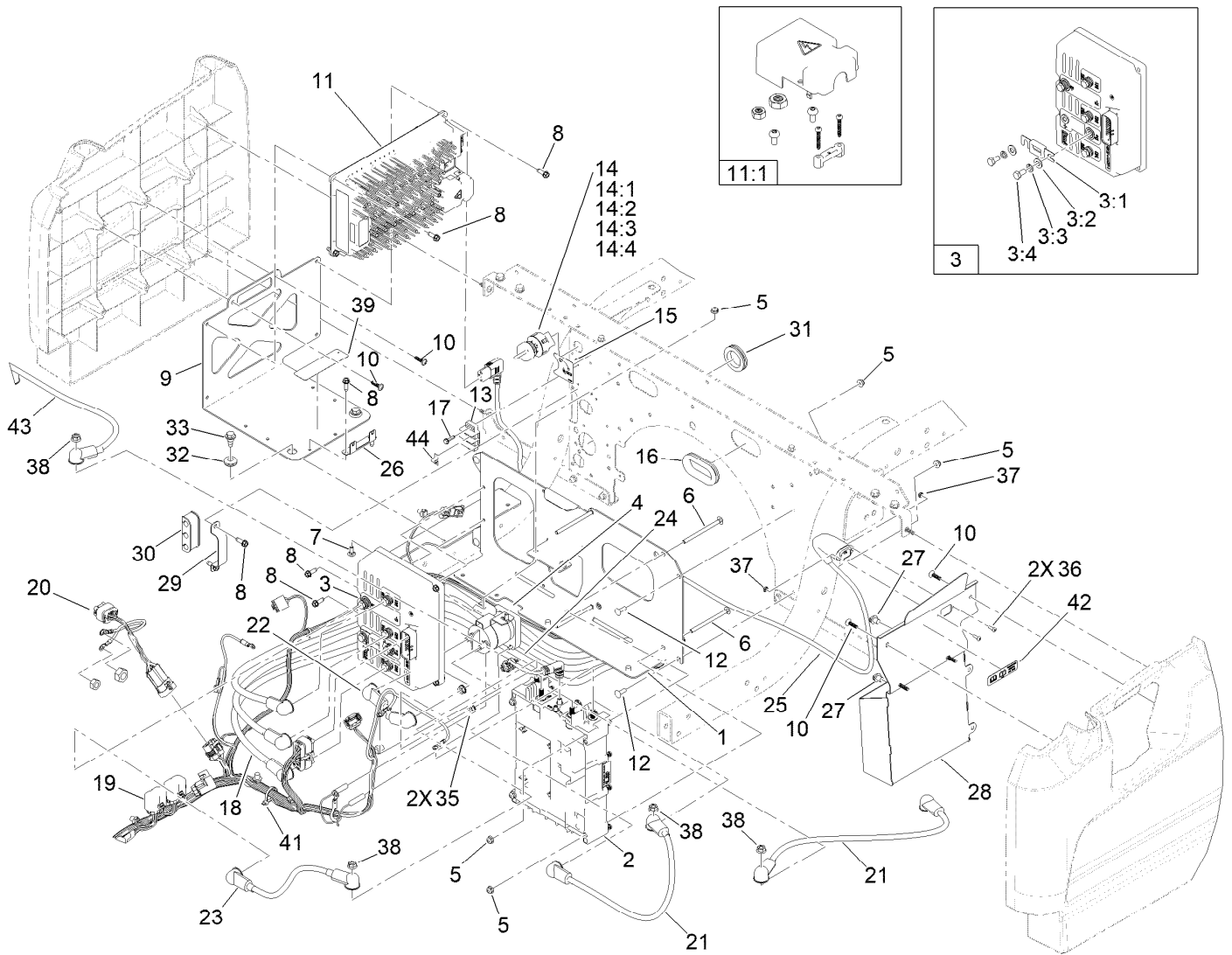
<i>Ref.</i>	<i>Part Number</i>	<i>Qty.</i>	<i>Description</i>
4	127-7428-03	2	Striker-Latch, Bed
8	3234-39	4	Screw-HHF
9	104-8301	4	Nut-HF, NI



Controller and Charger Assembly

Ref.	Part Number	Qty.	Description	Ref.	Part Number	Qty.	Description
1	139-4639-03	1	Bracket-Controller, Lithium	14	110-2580	1	Switch-Key, Supervisor
2	137-9651	1	Controller	14:1		1	Switch-Key ●
3	139-4600	1	Controller-Sevcon	14:2	108-8660	1	Nut-Mounting
3:1	131-8494	1	Fuse-425 Amp	14:3	110-5221	1	Set-Key, Supervisor
3:2	33094-00	6	Washer-Plain	14:4	108-8659	1	Washer-Backup
3:3	3253-4	6	Washer-Lock	15	131-8527	1	Decal-Mode
3:4	33114-016	6	Screw-HH	16	240-12	1	Grommet-Rubber
4	104-7136	1	Contactora-Trombeta	17	100-4351	2	Screw-HWH
5	104-7201	10	Nut-HF, NI	18	122-1718	3	Battery-Cable, Positive ASM
6	139-4633	4	Screw-Carriage	19	122-2488	1	Harness-Wire, Gtx-E, Samsung Li, Main
7	3229-11	2	Screw-CARR	20	122-1918	1	Harness-Wire, Gtx-Li Charger Interface
8	49-2040	12	Screw-HWHTF	21	122-1741	2	Cable-Battery, Positive ASM
9	139-4629-03	1	Bracket-Charger, Lithium	22	122-1743	1	Cable-Battery, Positive ASM
10	120-2349	6	Screw	23	122-1745	1	Cable-Battery, Negative ASM
11	139-4645	1	Charger-48V Onboard				
11:1	140-2494	1	Charger Kit-Service				
12	1-807512	4	Bolt-CARR				
13	42862	1	Block-Terminal, Ground				

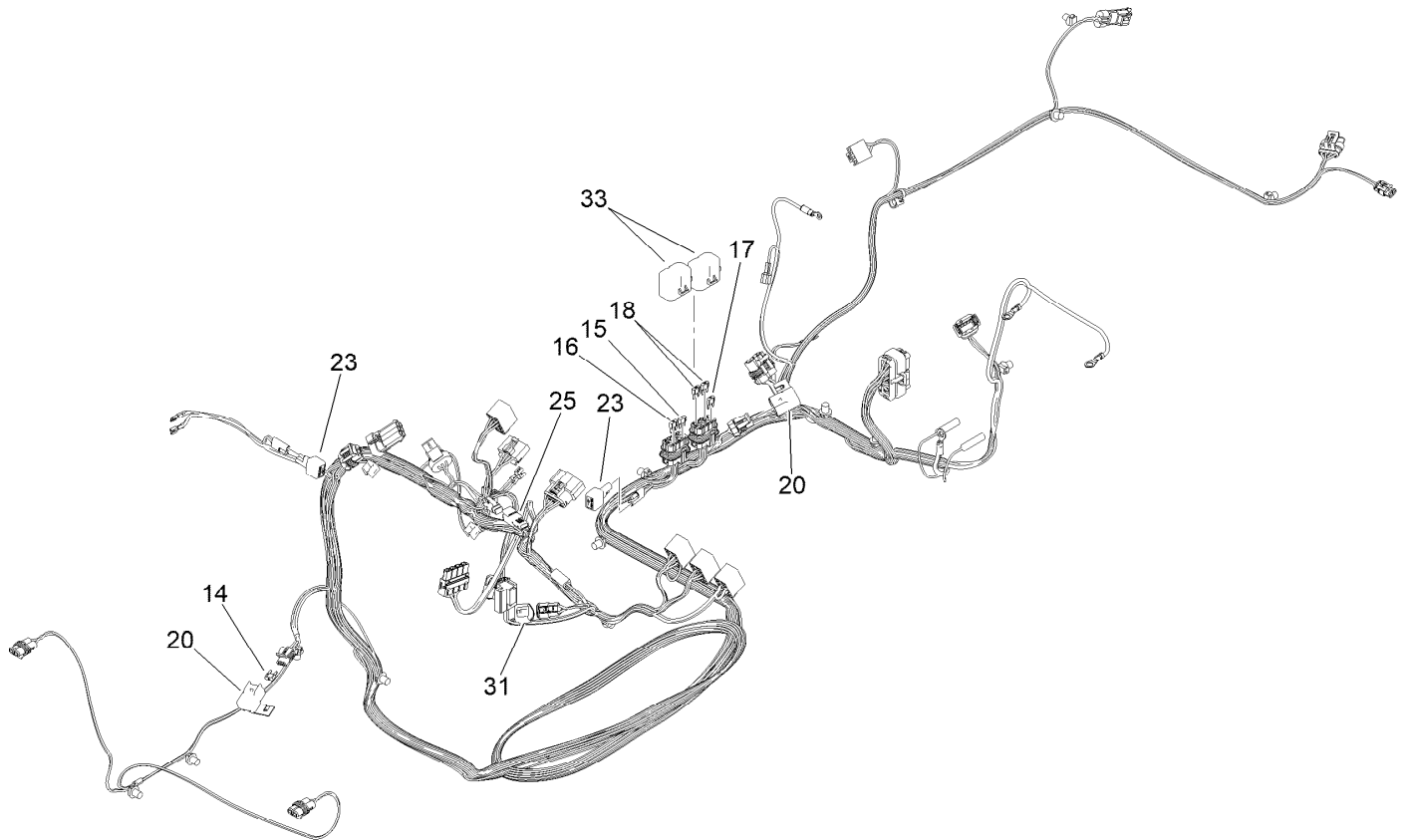
● Not serviced separately



Controller and Charger Assembly (continued)

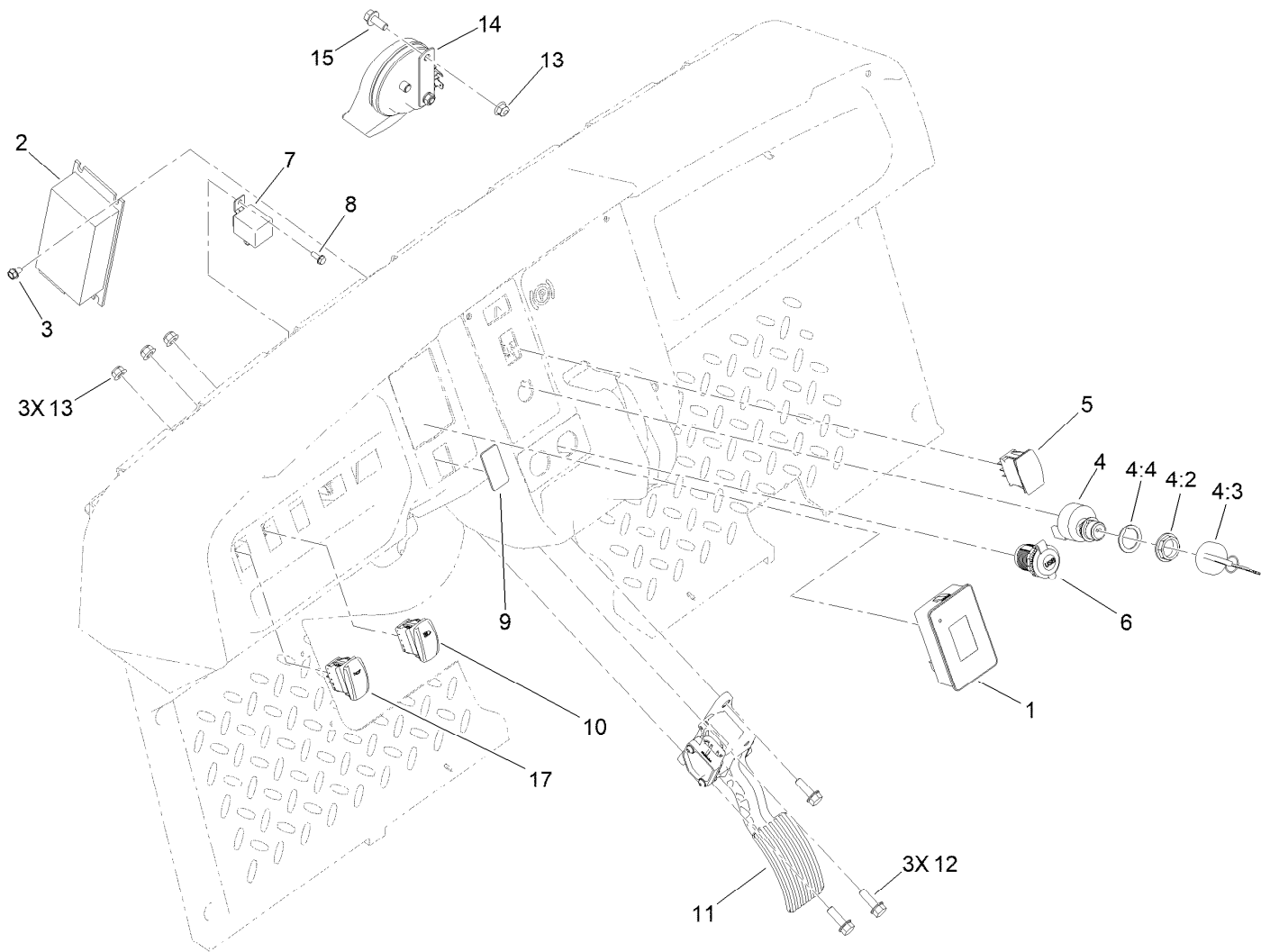
Ref.	Part Number	Qty.	Description	Ref.	Part Number	Qty.	Description
24	122-1667	1	Harness-Wire, Interface(System)	33	99-5105	2	Screw-Shoulder
25	140-4628	1	Cordset W/Filter	35	107-0380	2	Nut-HF
26	138-9299	1	Bracket-Fuse Block	36	3250-26	2	Screw-PPH
27	32180-030	4	Clip-Tie	37	3296-54	2	Nut-Lock
28	140-2496-05	1	Bracket-Charger Outlet ASM [blk	38	140-2488	4	Nut-HF
29	140-4579	1	Retainer-Isolator	39	145-2275	1	Decal-Fuse Block 48V
30	131-8420	1	Isolator-Clamp	41	3290-378	1	Tie-Cable
31	240-7	1	Grommet-Rubber	42	140-4590	1	Decal-Charger Input Lithium
32	1-633630	2	Grommet	43	122-1744	1	Cable-Battery, Negative ASM
				44	42863	1	Strip-Jumper

● Not serviced separately



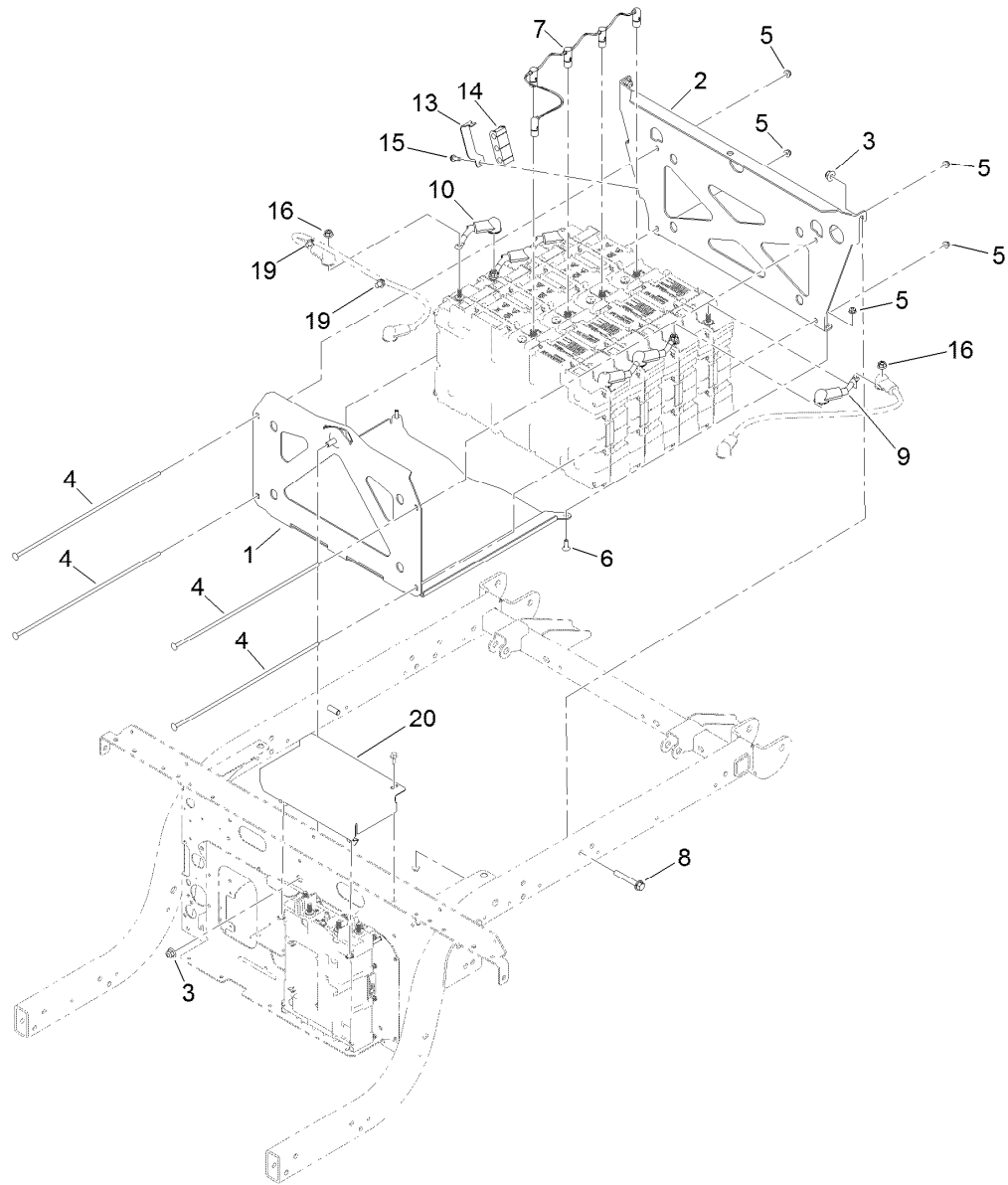
Main Wire Harness Assembly No. 122-2488

<i>Ref.</i>	<i>Part Number</i>	<i>Qty.</i>	<i>Description</i>
14	121-8875	1	Fuse-Mini Blade, 2 Amp
15	121-8864	1	Fuse-Mini Blade, 5 Amp
16	121-8866	1	Fuse-Mini Blade, 10 Amp
17	121-8880	1	Fuse-Mini Blade, 10 Amp
18	121-8882	2	Fuse-Mini Blade, 20 Amp
20	32180-101	2	Cover-Fuse, Single
23	100-4918	2	Diode
25	32180-282	1	Resistor-120 Ohm
31	32180-089	1	Cap-Plug, 3 Way
33	32180-195	2	Cover-Cooper-Bussmann, Cfh (Short)



Accelerator Pedal and Horn Assembly

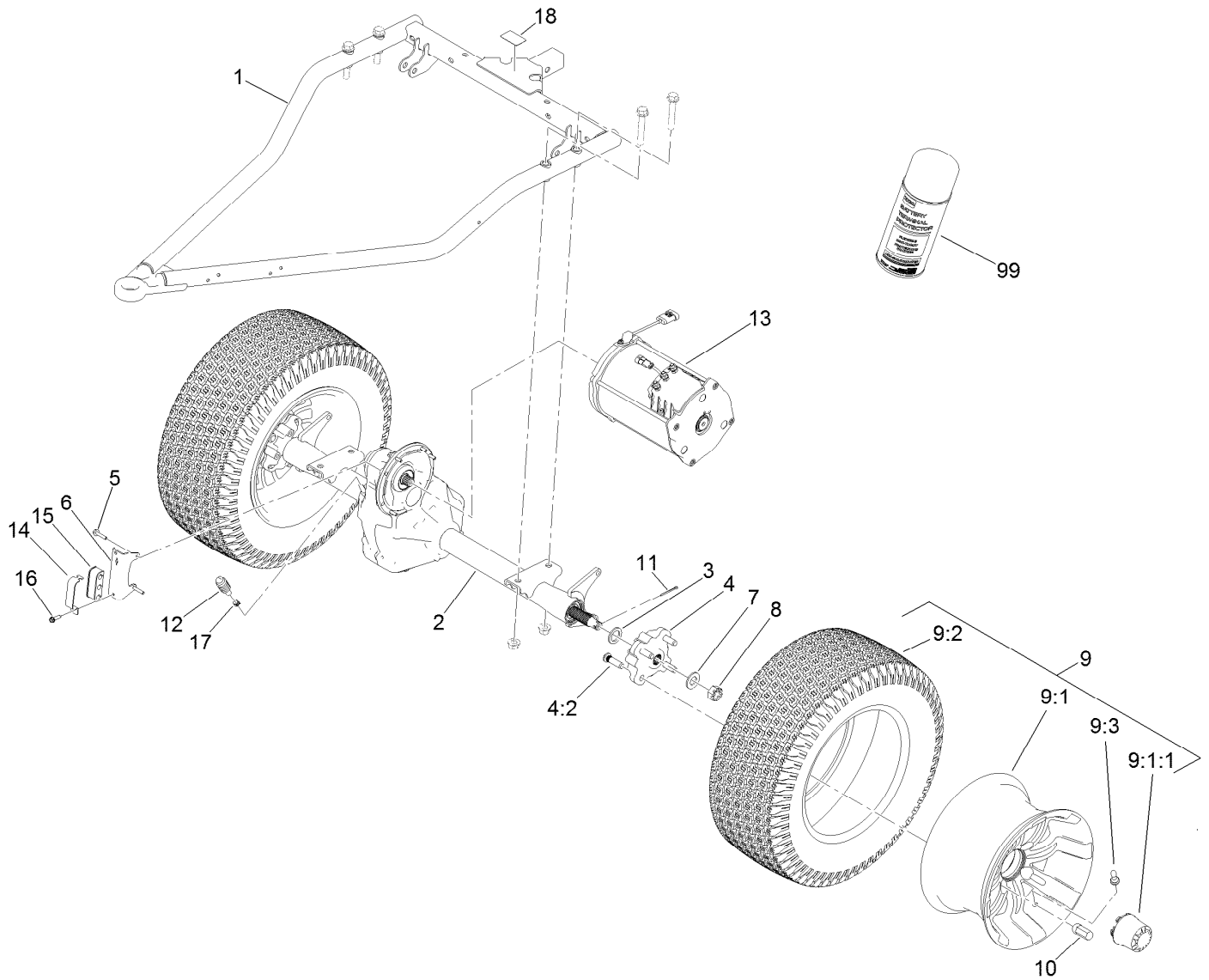
Ref.	Part Number	Qty.	Description	Ref.	Part Number	Qty.	Description
1	122-2152	1	Controller, Tdm-1601	9	99-7420	1	Plug-Hole
2	137-7952	1	Converter-DC-DC	10	144-2405	1	Switch-Rocker, On-None-On
3	99-8445	2	Screw-HWH	11	121-9675	1	Pedal-Accelerator
4	106-5269	1	Ignition Switch ASM	12	3234-29	3	Screw-HHF
4:2	108-8660	1	Nut-Mounting	13	104-8300	4	Nut-HF, NI
4:3	106-5270	1	Ignition Key Set	14	107-0358	1	Horn
4:4	108-8659	1	Washer-Backup	15	3234-5	1	Screw-HHF
5	144-2407	1	Switch-Rocker, On-Off-On	17	144-2415	1	Switch-Rocker, (On)-None-Off
6	131-8388	1	Socket-USB				
7	122-2401	1	Relay, 48V Coil, 50A At 48V				
8	32144-1	1	Screw-Taptite				



Battery Cable Assembly

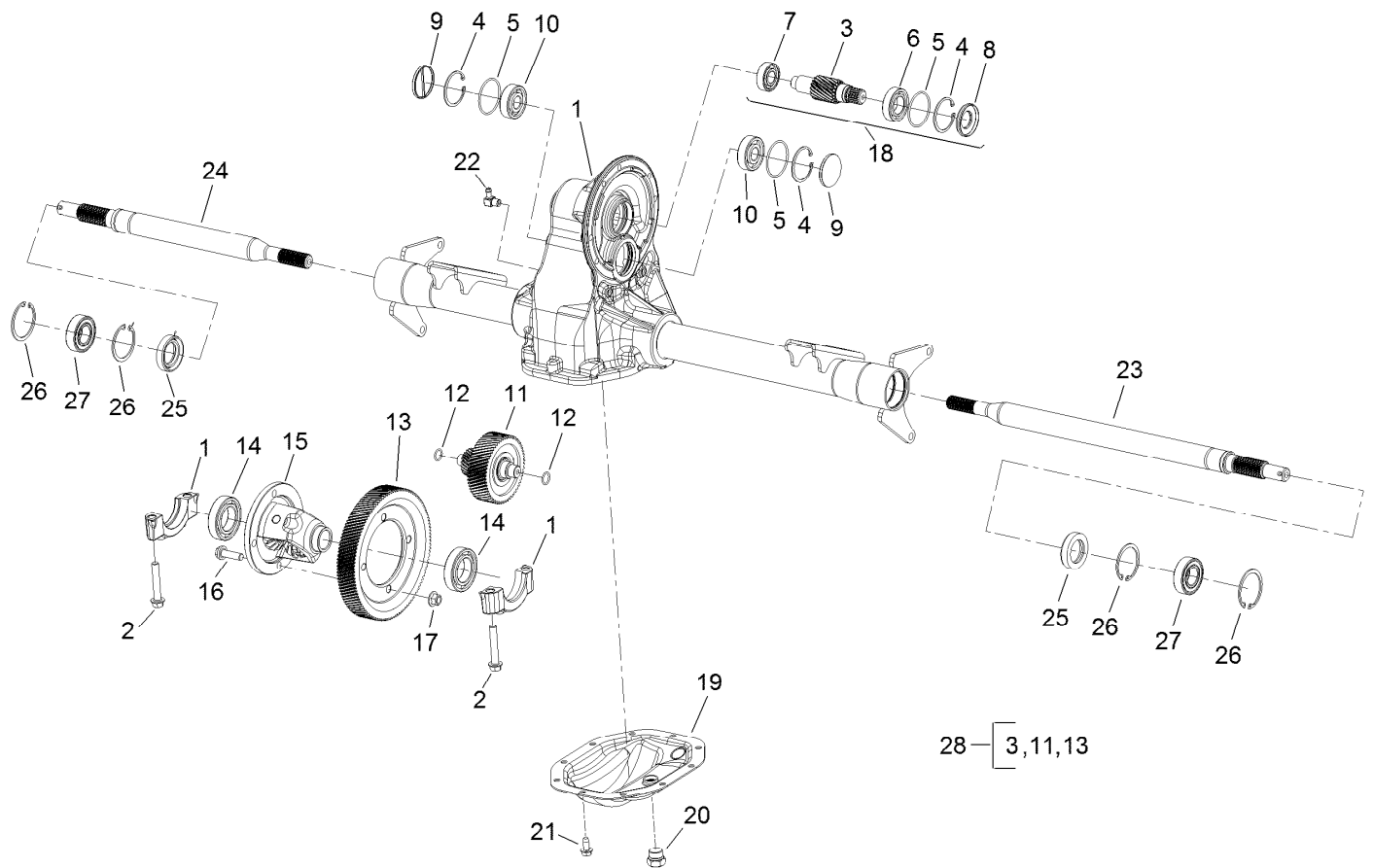
Ref.	Part Number	Qty.	Description	Ref.	Part Number	Qty.	Description
1	139-4609-03	1	Front Bracket ASM [black]	10	122-1697	3	Cable-Battery, Negative
2	139-4636-03	1	Bracket-Rear, Lithium	13	131-8482	1	Retainer-Isolator
3	104-8301	3	Nut-HF, NI	14	131-8420	1	Isolator-Clamp
4	139-4628	4	Screw-CARR	15	49-2040	1	Screw-HWHTF
5	104-7201	6	Nut-HF, NI	16	140-2488	8	Nut-HF
6	1-807512	2	Bolt-CARR	17	107-0382	1	Powercord-AC, Europe ●
7	122-1716	1	Cable-Data, Samsung M/S	17	107-0383	1	Powercord-AC, U.K. ●
8	3234-39	2	Screw-HHF	19	32180-030	2	Clip-Tie
9	122-1696	3	Cable-Battery, Positive	20	140-4799-03	1	Bracket-Shield, Bms

● Not illustrated



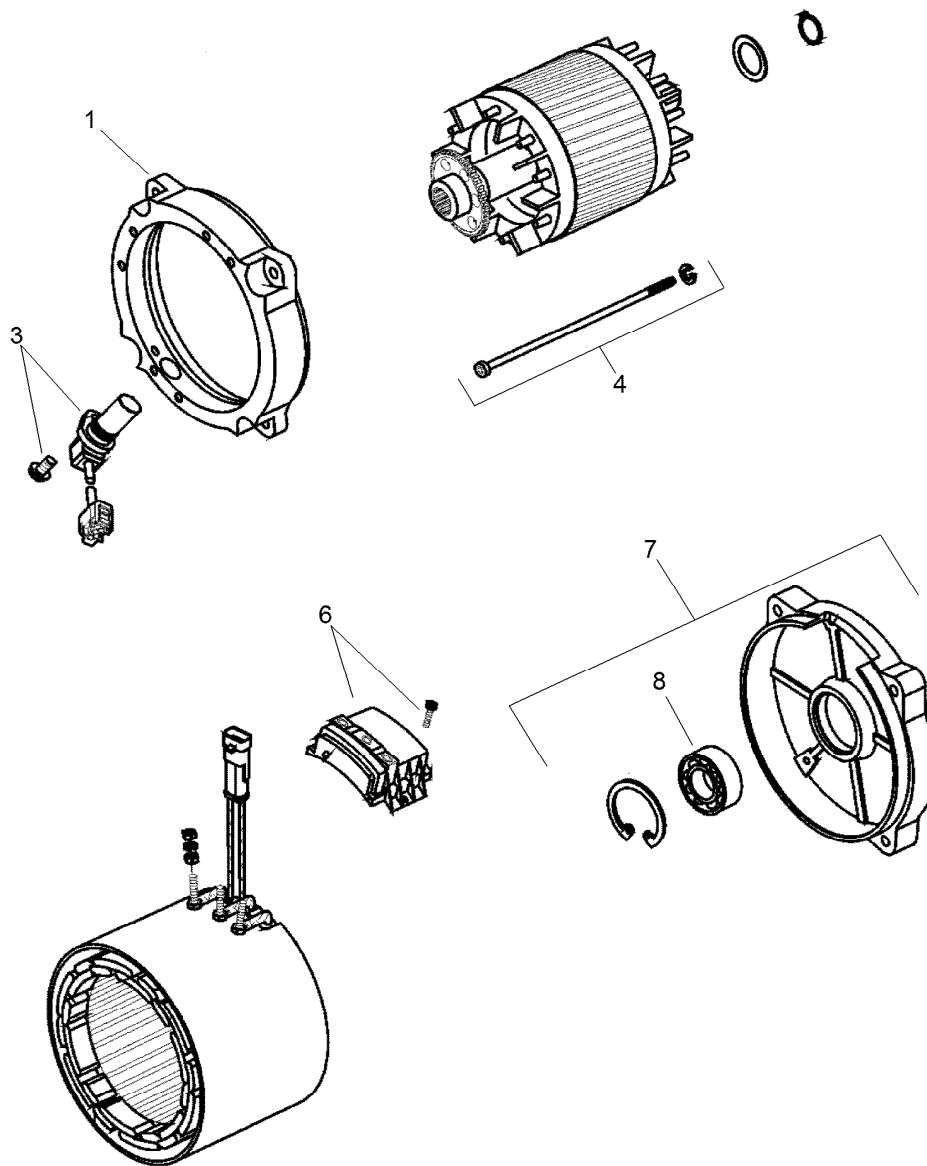
Rear Wheel and Transaxle Assembly

Ref.	Part Number	Qty.	Description	Ref.	Part Number	Qty.	Description
1	140-2568-03	1	Gtx-E Swing Arm ASM [black]	9:2	120-3271	1	Tire
2	136-6340	1	Transaxle ASM	9:3	232-27	1	Stem-Valve
3	131-8570	2	Spacer-Hardened	10	139-3603	8	Nut-Lug
4	140-9951	2	Rear Hub ASM	11	1-806800	2	Pin-Cotter
4:2	10-6830	4	Stud-Type, Drive	12	127-8859	1	Bellows-Breather
5	33103-030	6	Screw-HHF	13	137-6936	1	Motor-AC
6	131-8416	1	Bracket-Cable	14	131-8482	1	Retainer-Isolator
7	92-5836	2	Washer	15	131-8420	1	Isolator-Clamp
8	32136-5	2	Nut-Hex, Slotted	16	49-2040	1	Screw-HWHTF
9	147-2763	2	Al Wheel And Tire ASM	17	2412-146	1	Clamp-Hose
9:1	147-2764	1	Wheel-Aluminum	18	137-9984	1	Decal-Load, Towing
9:1:1	147-2839	1	Cap-Aluminum Wheel	99	107-0392	1	Protection-Terminal, Aerosol



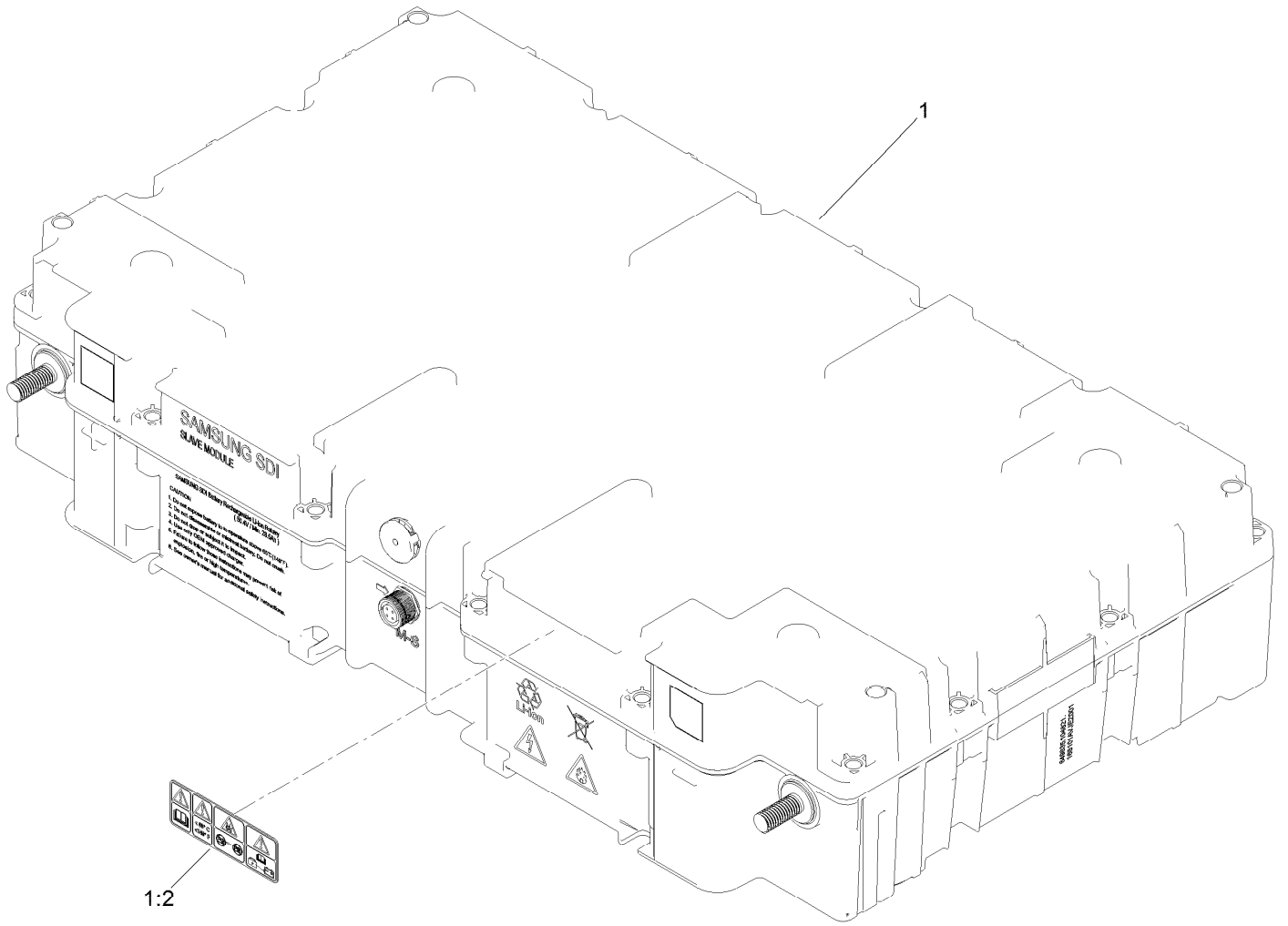
Transaxle Assembly No. 136-6340

Ref.	Part Number	Qty.	Description	Ref.	Part Number	Qty.	Description
1	133-2447	1	Housing-Axle	15	133-2461	1	Differential ASM
2	133-2448	4	Bolt-Cap, Bearing	16	133-2462	4	Bolt-HHF
3	133-2485	1	Gear-Input	17	133-2463	4	Nut-Lock
4	133-2450	3	Ring-Retaining	18	133-2487	1	Input Gear Kit
5	133-2451	3	O-Ring	19	136-6341	1	Plate-Cover
6	133-2452	1	Bearing-Ball	20	133-2466	1	Plug-HH
7	133-2453	1	Bearing-Ball	21	133-2467	10	Screw-Tapping
8	133-2454	1	Seal-Oil	22	133-2468	1	Elbow-Hose
9	133-2455	2	Plug-Cap, End	23	133-2469	1	Shaft-Axle, LH
10	133-2456	2	Bearing-Ball	24	133-2470	1	Shaft-Axle, RH
11	133-2486	1	Intermediate Gear ASM	25	112-3140	2	Seal-Oil
12	133-2458	2	O-Ring	26	133-2472	4	Ring-Retaining
13	133-2459	1	Gear-Drive, Final	27	108-2425	2	Bearing-Ball
14	133-2460	2	Bearing-Ball	28	108-2409	1	Internal Gear Kit



Electric Motor Assembly No. 137-6936

<i>Ref.</i>	<i>Part Number</i>	<i>Qty.</i>	<i>Description</i>
1	132-4924	1	Bracket-End, Drive
3	132-4925	1	Sensor
4	132-4926	1	Screw
6	132-4927	1	Plate-Connection
7	132-4928	1	Bracket-End, Rear
8	132-4929	1	Bearing



Battery Assembly No. 04070

Ref.	Part Number	Qty.	Description
1		1	Battery Service ASM ●
1:2	137-9712	1	Decal-Safety

● Not serviced separately

Attachments and Accessories

For 07413TC Workman GTX Lithium Utility Vehicle

Product Name	Model/Part
Workman GTX 2-Person Canopy	07921
Steel Cargo Bed Base, Workman GTX Series Utility Vehicle	07450
Steel Cargo Bed Solid Sides Kit, Workman GTX Series Utility Vehicle	07451
48V Electric Lift Kit.....	07143
Rear Attachment Receiver, Workman GTX Series Utility Vehicle with Steel Cargo Bed	07186
Door Mount Mirror Kit.....	136-1997
Brake and Signal LED Light Kit, Workman GTX Gasoline Utility Vehicle or Serial Number 404400000 and After Workman GTX Electric Utility Vehicle	140-4785
Brush Guard Kit	07145
Front Hitch Kit, Workman GTX Series Utility Vehicles with Brush Guard	07146
Small Seat Cover	131-6690
Front Hitch Kit, Workman GTX or MDX Series Utility Vehicles without Brush Guard	07147
Steel Flat Bed Kit	07148
Storage Box Kit.....	07156
6in L-Track Kit.....	07158
2in L-Track Kit.....	07159
Hose Reel Mounting Kit	07027
Powercord-AC, Europe.....	107-0382
LED Homologation Lamp Kit.....	147-2798
Powercord-AC, U.K.	107-0383
Power Point Kit	131-8550
Horn Kit.....	133-3017
Beacon Kit	130-5484
Reverse Alarm Kit.....	131-8549
Exterior Mirror Kit.....	130-5448
Power Converter Kit.....	133-0959
Trash Can Mounting Kit	07028
Bed Rack Kit.....	07031
Cab Kit.....	07142
Mount-Ball	133-7116
Road Light and Homologation Kit	133-7128
48V 6 Foot Bed Electric Lift Kit.....	07168
Cab Mount Kit, Workman GTX Utility Vehicle with Extended Flatbed	133-7198
Service Hood ASM	133-7209
ROPS Kit	07032
Cargo Bed Kit	07046
Bench Seat Base Kit.....	07047
Bucket Seat Base Kit	07048
Small Bedrack Mount Grip Kit.....	136-6311
Large Bedrack Mount Grip Kit.....	136-6312
Plate-Skid	137-2887-03
Ignition Switch ASM (Key1)	138-3505
Ignition Switch ASM (Key2)	138-3506
Ignition Switch ASM (Key3)	138-3507
Ignition Switch ASM (Key4)	138-3508

Attachments and Accessories (continued)

Ignition Switch ASM (Key5)	138-3509
Glove Box Cover Kit	137-2883
Folding Windshield Kit, Workman GTX Utility Vehicle with Canopy	07923
Work Light Kit	130-5485
Interior Mirror Kit	130-5449
Windshield Washer Fluid Kit, 2015 and after Workman MD/HD Series Utility Vehicle	130-5615
Wide Angle Mirror Kit	133-1009
Wide Angle Mirror Kit	133-1038
Bracket-Mount, Radio	133-7111-03
Wireless Hourmeter Finish Kit	139-4627
GTX Ball Cage ROPS, Certified	07161
Canopy W/ ROPS	07169
Canopy Mount Kit, Workman GTX Utility Vehicle with Extended Flatbed	07199



Count on it.