



Form No. 3461-295 Rev A

**Count on it.**

**Operator's Manual**

**Dethatching Unit**

**Greensmaster® 3300/3400 Series TriFlex®  
Traction Unit**

Model No. 04720—Serial No. 414000000 and Up



This product complies with all relevant European directives. For details, please see the Declaration of Incorporation (DOI) at the back of this publication.

# Introduction

The dethatching unit is mounted to a traction unit and is intended to be used by professional, hired operators in commercial applications. It is designed primarily for dethatching grass on well-maintained lawns in parks, golf courses, sports fields, and on commercial grounds. Using this product for purposes other than its intended use could prove dangerous to you and other bystanders.

Read this information carefully to learn how to operate and maintain your product properly and to avoid injury and product damage. You are responsible for operating the product properly and safely.

Visit [www.Toro.com](http://www.Toro.com) for product safety and operation training materials, accessory information, help finding a dealer, or to register your product.

Whenever you need service, genuine Toro parts, or additional information, contact an Authorized Service Dealer or Toro Customer Service and have the model and serial numbers of your product ready. [Figure 1](#) identifies the location of the model and serial numbers on the product. Write the numbers in the space provided.

**Important:** With your mobile device, you can scan the QR code (if equipped) on the serial number plate to access warranty, parts, and other product information.

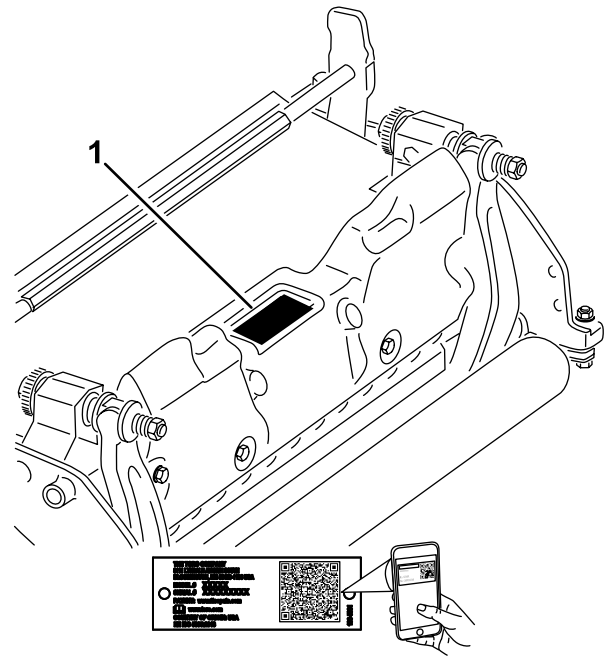


Figure 1

g272197

1. Location of the model and serial numbers

Model No. _____
Serial No. _____

This manual identifies potential hazards and has safety messages identified by the safety-alert symbol ([Figure 2](#)), which signals a hazard that may cause serious injury or death if you do not follow the recommended precautions.



Figure 2

g000502

1. Safety-alert symbol

This manual uses 2 words to highlight information. **Important** calls attention to special mechanical information and **Note** emphasizes general information worthy of special attention.

# Contents

Safety .....	3
General Safety .....	4
Cutting Unit Safety .....	4
Blade Safety .....	4
Safety and Instructional Decals .....	4
Setup .....	5
1 Installing the Front Roller .....	5
2 Adjusting the Dethatcher Blades for Positive Setting (Above Ground) .....	5
3 Adjusting the Dethatcher Blades For Negative Setting (Below Ground) .....	5
4 Installing the Dethatching Unit .....	6
5 Installing the Electrical Counterweight .....	6
Product Overview .....	7
Specifications .....	7
Attachments/Accessories .....	7
Maintenance .....	8
Disassembling the Dethatcher Blade Assembly .....	8
Disassembling the Dethatcher Blade Assembly .....	10
Servicing the Roller .....	11

# Safety

This machine has been designed in accordance with EN ISO 5395 and ANSI B71.4:2017 when the setup procedures have been completed.

- Read, understand, and follow all the instructions in the traction unit and dethatching unit *Operator's Manual* before operating the dethatching unit.
- Never allow children to operate the traction unit or dethatching units. Do not allow adults to operate traction unit or dethatching units without proper instruction. Only trained operators who have read this manual should operate the traction unit or dethatching units.
- Never operate the dethatching units when ill, tired, or under the influence of drugs or alcohol.
- Keep all shields and safety devices in place. If a shield, safety device or decal is illegible or damaged, repair or replace it before operating the machine. Also, tighten any loose nuts, bolts, and screws to ensure that the dethatching unit is in safe operating condition.
- Always wear substantial, slip-resistant footwear. Tie back long hair. Do not wear loose-fitting clothing or jewelry. Wearing safety glasses and safety shoes is advisable and required by some local ordinances and insurance regulations.
- Remove all debris or other objects that may be picked up and thrown by the dethatching unit. Keep all bystanders away from the working area.
- If the dethatching unit strikes a solid object or the unit vibrates abnormally, shut off the engine. Check the dethatching unit for damaged parts. Repair any damage before starting and operating the dethatching unit.
- Lower the dethatching units to the ground, and remove the key from the ignition switch whenever you leave the machine unattended.
- Ensure that the dethatching units are in safe operating condition by keeping all hardware tight.
- Remove the key from the ignition switch to prevent someone from accidentally starting the engine when servicing, adjusting, or storing the machine.
- Perform only those maintenance instructions described in this manual. If major repairs are ever needed or assistance is desired, contact an authorized Toro distributor.
- To ensure optimum performance and continued safety certification of the machine, use only genuine Toro replacement parts and accessories. Replacement parts and accessories made by other manufacturers could be dangerous, and such use could void the product warranty.

# General Safety

This product is capable of amputating hands and feet. Always follow all safety instructions to avoid serious personal injury.

- Read and understand the contents of this *Operator's Manual* before starting the machine.
- Use your full attention while operating the machine. Do not engage in any activity that causes distractions; otherwise, injury or property damage may occur.
- Do not put your hands or feet near moving components of the machine.
- Do not operate the machine without all guards and other safety protective devices in place and functioning properly on the machine.
- Keep clear of any discharge opening.
- Keep bystanders and children out of the operating area. Never allow children to operate the machine.
- Before you leave the operator's position, do the following:
  - Park the machine on a level surface.
  - Lower the cutting unit(s).
  - Disengage the drives.
  - Engage the parking brake (if equipped).
  - Shut off the engine and remove the key.
  - Wait for all movement to stop.

Improperly using or maintaining this machine can result in injury. To reduce the potential for injury, comply with these safety instructions and always pay attention to the safety-alert symbol▲, which means Caution, Warning, or Danger—personal safety instruction. Failure to comply with these instructions may result in personal injury or death.

# Cutting Unit Safety

- The cutting unit is only a complete machine when installed on a traction unit. Read the traction unit *Operator's Manual* carefully for complete instructions on the safe use of the machine.
- Stop the machine, remove the key (if equipped), and wait for all movement to stop before inspecting the attachment after striking an object or if there is an abnormal vibration in the machine. Make all necessary repairs before resuming operation.
- Keep all parts in good working condition and all hardware tightened. Replace all worn or damaged decals.
- Use only accessories, attachments, and replacement parts approved by Toro.

# Blade Safety

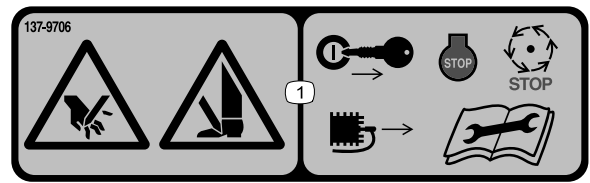
A worn or damaged blade can break, and a piece of the blade could be thrown toward you or bystanders, resulting in serious personal injury or death.

- Inspect the blade periodically for wear or damage.
- Use care when checking the blades. Wrap the blades or wear gloves, and use caution when servicing the blades. Only replace or sharpen the blades; never straighten or weld them.
- On multi-bladed machines, take care as rotating 1 blade can cause other blades to rotate.

# Safety and Instructional Decals



Safety decals and instructions are easily visible to the operator and are located near any area of potential danger. Replace any decal that is damaged or missing.



137-9706

decal137-9706

1. Cutting hazard of the hand or foot—shut off the engine, remove the key or disconnect the spark plug, wait for all moving parts to stop, and read the *Operator's Manual* before performing maintenance.

# Setup

## 1

### Installing the Front Roller

No Parts Required

#### Procedure

The dethatching unit is shipped without a front roller. Install the roller using the loose parts supplied with the dethatching unit and installation instructions included with the roller.

## 2

### Adjusting the Dethatcher Blades for Positive Setting (Above Ground)

No Parts Required

#### Procedure

1. Place the dethatching unit on a level surface.
2. Place a gauge bar, which has the desired height of blade above ground, under each end of the dethatching unit (Figure 3).

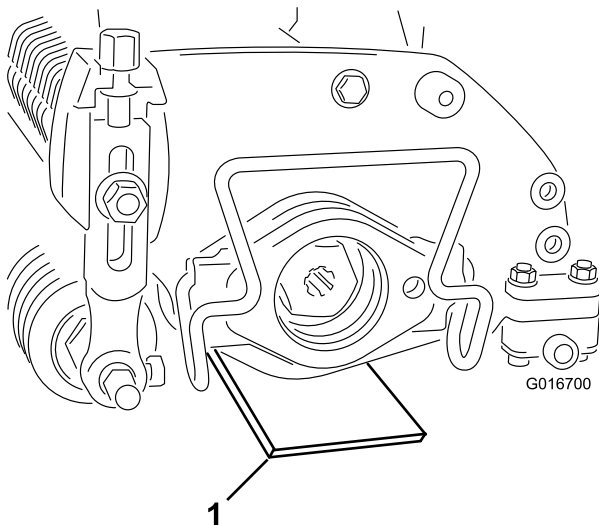


Figure 3

1. Gauge bar

3. With the rear roller contacting the level surface, loosen both height-of-cut nuts.
4. Rotate the height-of-cut until both ends of the front roller contact the level surface.
5. Verify contact by using a piece of paper to check each roller end.
6. Tighten both height-of-cut knob locknuts.

## 3

### Adjusting the Dethatcher Blades For Negative Setting (Below Ground)

No Parts Required

#### Procedure

**Note:** The maximum recommended negative setting is 3/16 inch (5 mm) deep blade penetration.

1. Place the dethatching unit on a level surface.
2. Place 2 gauge bars, set to the desired depth of blade penetration below ground, under the front roller and rear roller of the dethatching unit.

**Note:** Ensure that the dethatcher blades do not touch the gauge bars.

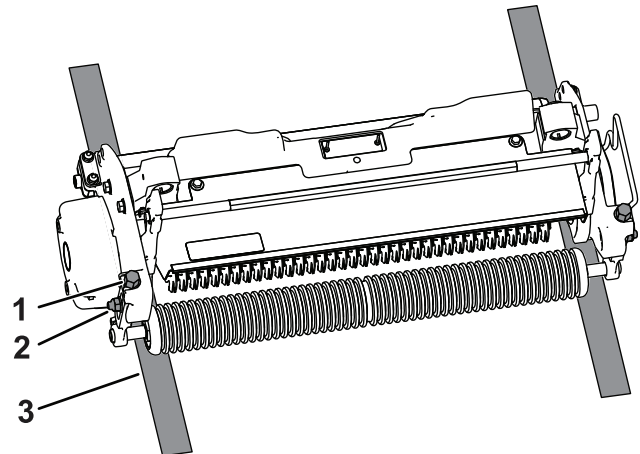


Figure 4

1. Adjusting bolt
2. Flange nut
3. Gauge bar
3. Loosen the flange nut on the roller assembly.
4. Turn the adjusting bolt on each height-of-cut bracket so that the dethatcher blades come in contact with the level surface on both ends.

**Note:** As the dethatcher blades wear, the diameter of the assembly will decrease and the depth setting will change. Check the depth setting periodically to ensure that the desired setting is achieved.

5. Tighten both height-of-cut flange locknuts.

# 4

## Installing the Dethatching Unit

No Parts Required

### Procedure

See the traction unit *Operator's Manual* for instructions to install the dethatching unit to the machine.

**Important:** If you set the dethatching unit at a negative setting, prevent contact with concrete floors or paved surfaces. Contact with these surfaces can damage the dethatching-unit blades.

# 5

## Installing the Electrical Counterweight

No Parts Required

### Procedure

**Note:** If the dethatching unit is installed on a machine with electric reel motors, you must install an additional electrical counterweight to the existing counterweight.

Secure the electrical counterweight to the existing counterweight with 2 cap screws as shown in [Figure 5](#).

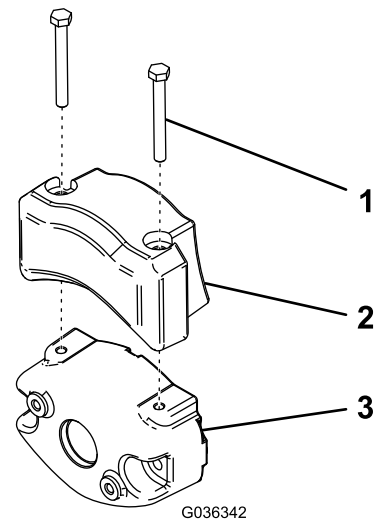


Figure 5

1. Cap screw
2. Electrical counterweight
3. Existing counterweight

# Product Overview

## Specifications

Traction-Unit Compatibility	The dethatching unit mounts on Greensmaster 3300 and 3400 series traction units.
Height of Cut	Dethatching depth is adjusted on the front roller by 2 vertical screws and held by 2 locking flange nuts.
Height-of-Cut Range	Bench HOC range is 4.78 mm (0.188 inch) below ground level to 6.35 mm (0.250 inch) above ground level.
Reel Bearings	Two sealed stainless steel, deep groove ball bearings.
Rollers	The rear roller is a 5.1 cm (2 inch) diameter steel full roller.
Grass Shield	Non-adjustable shield with adjustable cut-off bar to improve grass discharge from reel in wet conditions.
Counterweight	A cast iron weight mounted opposite to the drive motor balances the dethatching unit.
Net Weight	33 kg (73 lb)

## Attachments/Accessories

A selection of Toro approved attachments and accessories is available for use with the machine to enhance and expand its capabilities. Contact your Authorized Service Dealer or authorized Toro distributor or go to [www.Toro.com](http://www.Toro.com) for a list of all approved attachments and accessories.

To ensure optimum performance and continued safety certification of the machine, use only genuine Toro replacement parts and accessories. Replacement parts and accessories made by other manufacturers could be dangerous, and such use could void the product warranty.

# Maintenance

**Note:** Determine the left and right sides of the machine from the normal operating position.

## Disassembling the Dethatcher Blade Assembly Carbide Blades Installed

Disassemble the dethatcher blade assembly whenever you need to change a blade or replace the bearings.

1. Secure the jam nut on the end of the assembly, which contains the washer, in a vise.

**Note:** Do not remove the washer or nut on this side of the assembly.

2. Remove the hex bolt, bearing, and flock seal.
3. On other end of shaft, remove the left-hand threaded spline insert.

### ⚠ CAUTION

The blades are extremely sharp and may have burrs that will cut your hands.

Wear gloves and use caution when removing the blades from the shaft.

4. Remove the bearing, flock seal, blades, and spacers. Clean and lubricate the shaft with a light coating of grease to simplify the assembly.

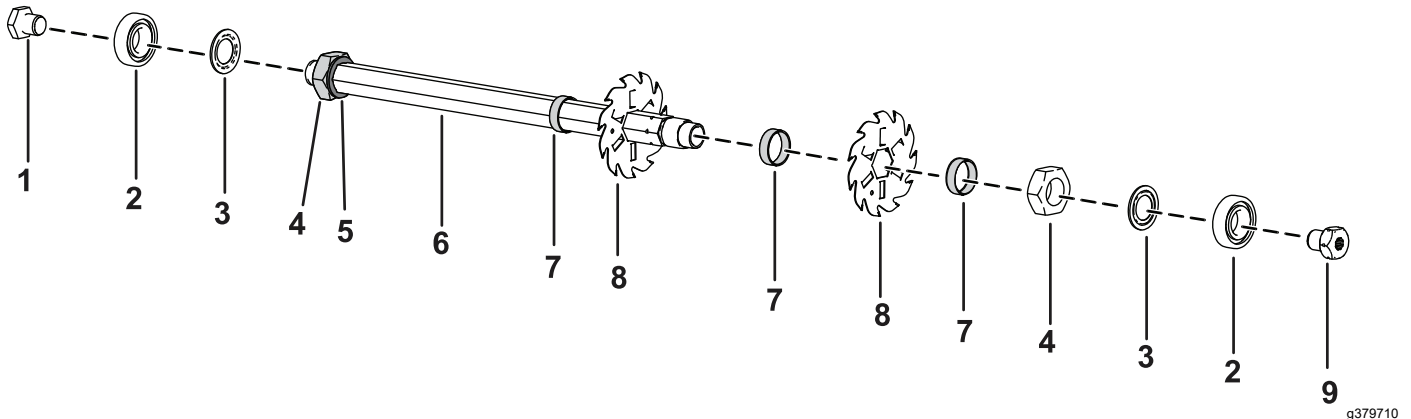


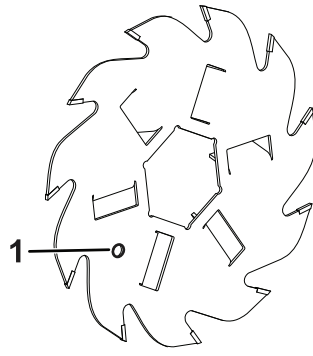
Figure 6

- |               |   |
|---------------|---|
| 1. Hex bolt   | 6. Shaft                                      |
| 2. Bearing    | 7. Spacer                                     |
| 3. Flock seal | 8. Blade (Carbide)                            |
| 4. Jam nut    | 9. Threaded spline insert (left-hand threads) |
| 5. Washer     |   |

5. Apply medium-strength thread-locking compound (such as Blue Loctite 243) to the threads of spline insert, hex bolt and jam nut when assembling the dethatcher blade assembly.

**Important:** The order of disassembly is extremely important. Do not invert the blades when disassembling or reverse the order when assembling them. Note the index hole in each blade. The index hole is provided for assembly in order to obtain the proper helix. Rotate the blade using index hole 1 helix flat counter clockwise for each successive blade for proper dethatcher blade assembly helix.





**Figure 7**

g379283

1. Index hole

---

6. Torque the threaded spline insert, hex bolt, and jam nut to 108 to 135 N·m (80 to 100 ft-lb).

# Disassembling the Dethatcher Blade Assembly

## Spring Steel Blades Installed

Disassemble the dethatcher blade assembly whenever you need to change a blade or replace the bearings.

1. Secure the jam nut on the end of the assembly, which contains the washer, in a vise.

**Note:** Do not remove the washer or nut on this side of the assembly.

2. Remove the hex bolt, bearing, and flock seal.
3. On other end of shaft, remove the left-hand threaded spline insert.

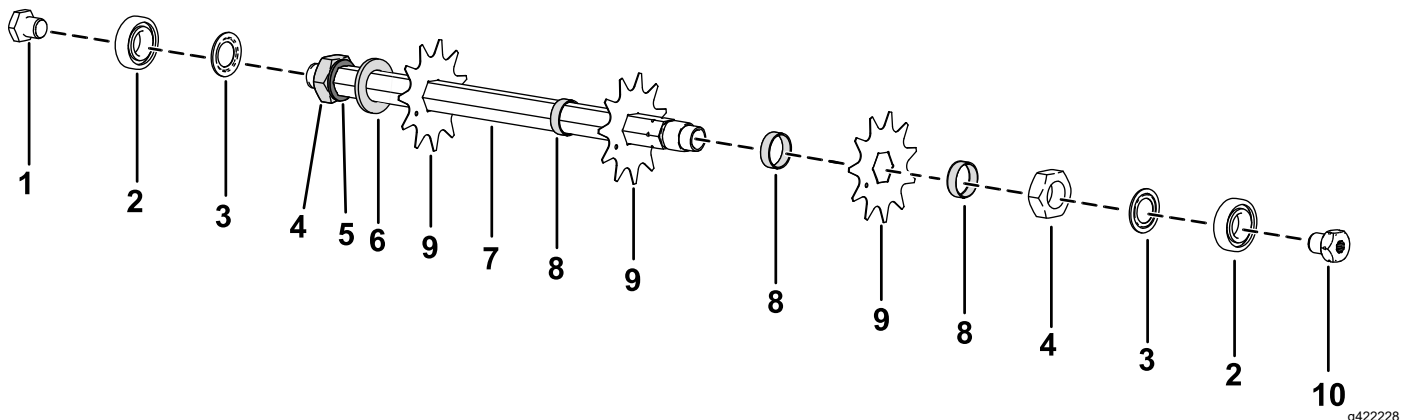
### ⚠ CAUTION

**The blades are extremely sharp and may have burrs that will cut your hands.**

**Wear gloves and use caution when removing the blades from the shaft.**

4. Remove the bearing, flock seal, blades, and spacers. Clean and lubricate the shaft with a light coating of grease to simplify the assembly.

**Note:** The spring-steel blade set has a large washer and an additional blade installed before the first spacer as shown below.



**Figure 8**

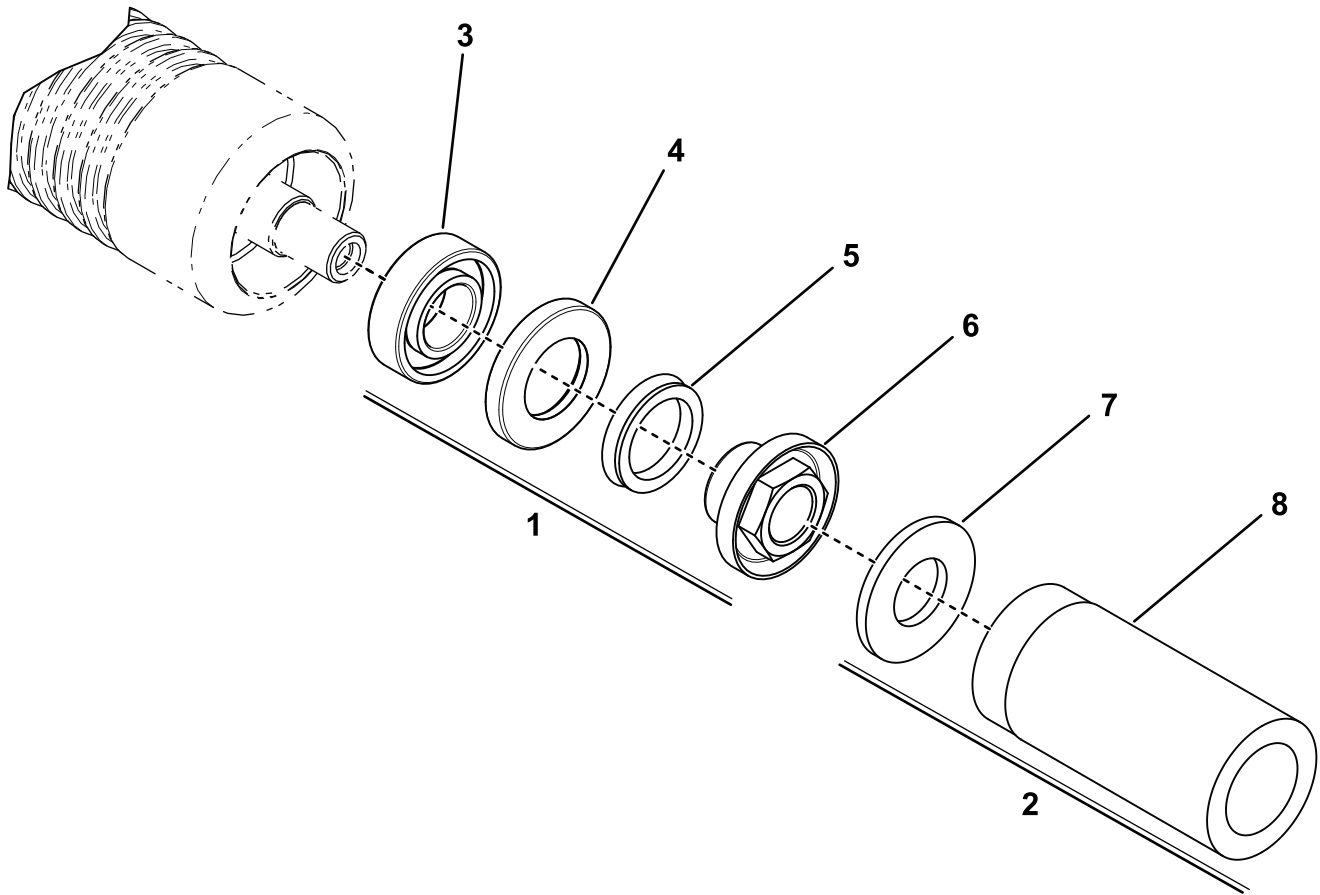
- |               |  |
|---------------|--|
| 1. Hex bolt   | 6. Large washer                                |
| 2. Bearing    | 7. Shaft                                       |
| 3. Flock seal | 8. Spacer                                      |
| 4. Jam nut    | 9. Blade (Spring steel)                        |
| 5. Washer     | 10. Threaded spline insert (left-hand threads) |

5. Apply medium-strength thread-locking compound (such as Blue Loctite 243) to the threads of spline insert, hex bolt and jam nut when assembling the dethatcher blade assembly.
6. Torque the threaded spline insert, hex bolt, and jam nut to 108 to 135 N·m (80 to 100 ft-lb).

# Servicing the Roller

The Greens Roller Rebuild Kit (Part No. 140-5552) and the Greens Roller Rebuild Tool Kit (Part No. 140-5553) (Figure 9) are available for servicing the roller. The Roller Rebuild Kit includes all the bearings, bearing nuts, and seals to rebuild a roller.

The Roller Rebuild Tool Kit includes all the tools and the installation instructions required to rebuild a roller with the roller rebuild kit. Refer to your parts catalog or contact your authorized Toro distributor for assistance.



g346125

**Figure 9**

- |   |                            |
|---|----------------------------|
| 1. Greens Roller Rebuild Kit (Part No. 140-5552)      | 5. V-ring                  |
| 2. Greens Roller Rebuild Tool kit (Part No. 140-5553) | 6. Bearing locknut         |
| 3. Bearing  | 7. Flat washer             |
| 4. Seal   | 8. Bearing/outer-seal tool |

**Notes:**

# Declaration of Incorporation

The Toro Company, 8111 Lyndale Ave. South, Bloomington, MN, USA declares that the following unit(s) conform(s) to the directives listed, when installed in accordance with the accompanying instructions onto certain Toro models as indicated on the relevant Declarations of Conformity.

Model No.	Serial No.	Product Description	Invoice Description	General Description	Directive
04720	414000000 and Up	Dethatching Unit, Greensmaster 3300/3400 Series TriFlex Traction Unit	THATCHING REEL KIT-TRIFLEX	Dethatching Reel	2006/42/EC

Relevant technical documentation has been compiled as required per Part B of Annex VII of 2006/42/EC.

We will undertake to transmit, in response to requests by national authorities, relevant information on this partly completed machinery. The method of transmission shall be electronic transmittal.

This machinery shall not be put into service until incorporated into approved Toro models as indicated on the associated Declaration of Conformity and in accordance with all instructions, whereby it can be declared in conformity with all relevant Directives.

Certified:



Tom Langworthy  
Engineering Director  
8111 Lyndale Ave. South  
Bloomington, MN 55420, USA  
December 23, 2022

Authorized Representative:

Marcel Dutrieux  
Manager European Product Integrity  
Toro Europe NV  
Nijverheidsstraat 5  
2260 Oevel  
Belgium

# UK Declaration of Incorporation

The Toro Company, 8111 Lyndale Ave. South, Bloomington, MN, USA declares that the following unit(s) conform(s) to the regulations listed, when installed in accordance with the accompanying instructions onto certain Toro models as indicated on the relevant Declarations of Conformity.

Model No.	Serial No.	Product Description	Invoice Description	General Description	Regulation
04720	414000000 and Up	Dethatching Unit, Greensmaster 3300/3400 Series TriFlex Traction Unit	THATCHING REEL KIT-TRIFLEX	Dethatching Reel	S.I. 2008 No. 1597

Relevant technical documentation has been compiled as required per Schedule 10 of S.I. 2008 No. 1597.

We will undertake to transmit, in response to requests by national authorities, relevant information on this partly completed machinery. The method of transmission shall be electronic transmittal.

This machinery shall not be put into service until incorporated into approved Toro models as indicated on the associated Declaration of Conformity and in accordance with all instructions, whereby it can be declared in conformity with all relevant Regulations.

This declaration has been issued under the sole responsibility of the manufacturer.  
The object of the declaration is in conformity with relevant UK legislation.



Tom Langworthy  
Engineering Director  
8111 Lyndale Ave. South  
Bloomington, MN 55420, USA  
December 23, 2022

Authorized Representative:

Marcel Dutrieux  
Manager European Product Integrity  
Toro U.K. Limited  
Spellbrook Lane West  
Bishop's Stortford  
CM23 4BU  
United Kingdom



# The Toro Warranty

Two-Year or 1,500 Hours Limited Warranty

## Conditions and Products Covered

The Toro Company warrants your Toro Commercial product ("Product") to be free from defects in materials or workmanship for 2 years or 1,500 operational hours\*, whichever occurs first. This warranty is applicable to all products with the exception of Aerators (refer to separate warranty statements for these products). Where a warrantable condition exists, we will repair the Product at no cost to you including diagnostics, labor, parts, and transportation. This warranty begins on the date the Product is delivered to the original retail purchaser.

\* Product equipped with an hour meter.

## Instructions for Obtaining Warranty Service

You are responsible for notifying the Commercial Products Distributor or Authorized Commercial Products Dealer from whom you purchased the Product as soon as you believe a warrantable condition exists. If you need help locating a Commercial Products Distributor or Authorized Dealer, or if you have questions regarding your warranty rights or responsibilities, you may contact us at:

Toro Commercial Products Service Department  
8111 Lyndale Avenue South  
Bloomington, MN 55420-1196

952-888-8801 or 800-952-2740  
E-mail: [commercial.warranty@toro.com](mailto:commercial.warranty@toro.com)

## Owner Responsibilities

As the product owner, you are responsible for required maintenance and adjustments stated in your *Operator's Manual*. Repairs for product issues caused by failure to perform required maintenance and adjustments are not covered under this warranty.

## Items and Conditions Not Covered

Not all product failures or malfunctions that occur during the warranty period are defects in materials or workmanship. This warranty does not cover the following:

- Product failures which result from the use of non-Toro replacement parts, or from installation and use of add-on, or modified non-Toro branded accessories and products.
- Product failures which result from failure to perform recommended maintenance and/or adjustments.
- Product failures which result from operating the Product in an abusive, negligent, or reckless manner.
- Parts consumed through use that are not defective. Examples of parts which are consumed, or used up, during normal Product operation include, but are not limited to, brake pads and linings, clutch linings, blades, reels, rollers and bearings (sealed or greasable), bed knives, spark plugs, castor wheels and bearings, tires, filters, belts, and certain sprayer components such as diaphragms, nozzles, flow meters, and check valves.
- Failures caused by outside influence, including, but not limited to, weather, storage practices, contamination, use of unapproved fuels, coolants, lubricants, additives, fertilizers, water, or chemicals.
- Failure or performance issues due to the use of fuels (e.g. gasoline, diesel, or biodiesel) that do not conform to their respective industry standards.
- Normal noise, vibration, wear and tear, and deterioration. Normal "wear and tear" includes, but is not limited to, damage to seats due to wear or abrasion, worn painted surfaces, scratched decals or windows.

## Countries Other than the United States or Canada

Customers who have purchased Toro products exported from the United States or Canada should contact their Toro Distributor (Dealer) to obtain guarantee policies for your country, province, or state. If for any reason you are dissatisfied with your Distributor's service or have difficulty obtaining guarantee information, contact your Authorized Toro Service Center.

## Parts

Parts scheduled for replacement as required maintenance are warranted for the period of time up to the scheduled replacement time for that part. Parts replaced under this warranty are covered for the duration of the original product warranty and become the property of Toro. Toro will make the final decision whether to repair any existing part or assembly or replace it. Toro may use remanufactured parts for warranty repairs.

## Deep Cycle and Lithium-Ion Battery Warranty

Deep cycle and Lithium-Ion batteries have a specified total number of kilowatt-hours they can deliver during their lifetime. Operating, recharging, and maintenance techniques can extend or reduce total battery life. As the batteries in this product are consumed, the amount of useful work between charging intervals will slowly decrease until the battery is completely worn out. Replacement of worn out batteries, due to normal consumption, is the responsibility of the product owner. Note: (Lithium-Ion battery only): Refer to the battery warranty for additional information.

## Lifetime Crankshaft Warranty (ProStripe 02657 Model Only)

The ProStripe which is fitted with a genuine Toro Friction Disc and Crank-Safe Blade Brake Clutch (integrated Blade Brake Clutch (BBC) + Friction Disc assembly) as original equipment and used by the original purchaser in accordance with recommended operating and maintenance procedures, are covered by a Lifetime Warranty against engine crankshaft bending. Machines fitted with friction washers, Blade Brake Clutch (BBC) units and other such devices are not covered by the Lifetime Crankshaft Warranty.

## Maintenance is at Owner's Expense

Engine tune-up, lubrication, cleaning and polishing, replacement of filters, coolant, and completing recommended maintenance are some of the normal services Toro products require that are at the owner's expense.

## General Conditions

Repair by an Authorized Toro Distributor or Dealer is your sole remedy under this warranty.

**The Toro Company is not liable for indirect, incidental or consequential damages in connection with the use of the Toro Products covered by this warranty, including any cost or expense of providing substitute equipment or service during reasonable periods of malfunction or non-use pending completion of repairs under this warranty. Except for the Emissions warranty referenced below, if applicable, there is no other express warranty. All implied warranties of merchantability and fitness for use are limited to the duration of this express warranty.**

Some states do not allow exclusions of incidental or consequential damages, or limitations on how long an implied warranty lasts, so the above exclusions and limitations may not apply to you. This warranty gives you specific legal rights, and you may also have other rights which vary from state to state.

## Note Regarding Emissions Warranty

The Emissions Control System on your Product may be covered by a separate warranty meeting requirements established by the U.S. Environmental Protection Agency (EPA) and/or the California Air Resources Board (CARB). The hour limitations set forth above do not apply to the Emissions Control System Warranty. Refer to the Engine Emission Control Warranty Statement supplied with your product or contained in the engine manufacturer's documentation.



**Count on it.**