



Count on it.

Parts Catalog

55cm Recycler®

Lawn Mower

Model No. 21772—Serial No. 400000000 and Up



Ordering Replacement Parts

To order replacement parts, please supply the part number, the quantity, and the description of each part desired.

Understanding Reference Numbers

Each identified part in an illustration has a reference number. The reference number for a part also appears in the parts list, along with other information about the part.

This catalog uses two special reference number formats, one to indicate parts in a service assembly and another to indicate the quantity of a given part in an illustration.

Service Assembly Reference Numbers

Parts in service assemblies have reference numbers in the form a:b. The a represents the reference number of the entire service assembly and the b represents a sequential number unique to each part within the service assembly.

For example, a wheel assembly might be identified by reference number 6, the tire by 6:1, the valve by 6:2, and the wheel by 6:3. When you order the assembly identified by reference number 6, you receive all parts identified by reference numbers 6:1, 6:2, and 6:3. However, you may also order any part individually. Reference numbers of this type appear in illustration and in parts lists.

Reference Numbers Indicating Quantity

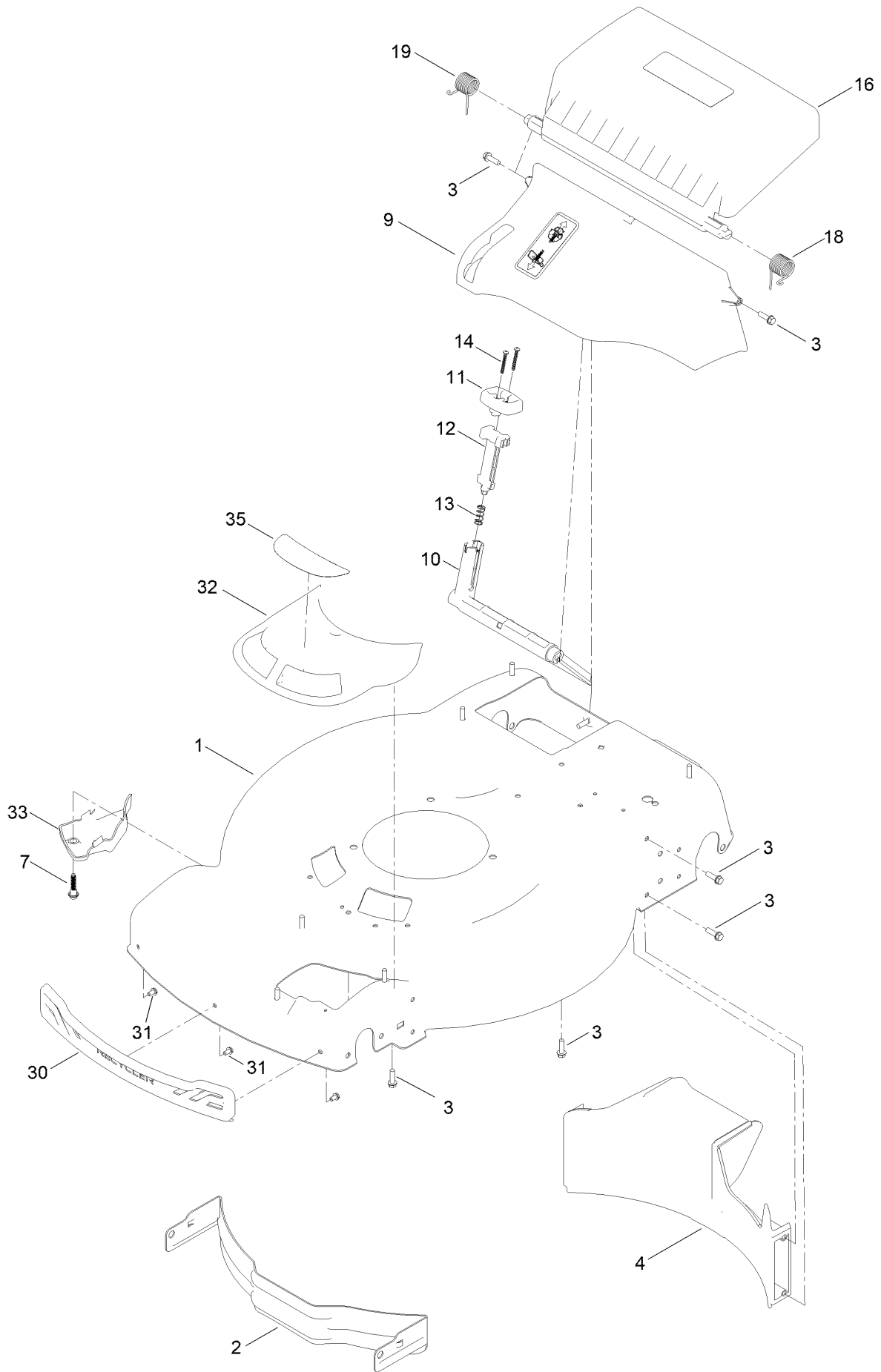
In an illustration, if a reference number indicates more than one part, the reference number has the form nX y. The n represents the quantity of the part, the X is the multiplication symbol, and the y represents the reference number.

For example, in an illustration, the reference number 2X 37 means that two of the parts identified by reference number 37 are indicated.

Contents

Housing Assembly	4
Rear Bag Assembly	6
Decal Assembly	8
Engine and Blade Assembly	10
Front Wheel and Height-of-Cut Assembly	12
Rear Wheel and Height-of-Cut Assembly	14
Handle Assembly	16
Upper Handle Assembly	18
Attachments and Accessories	20

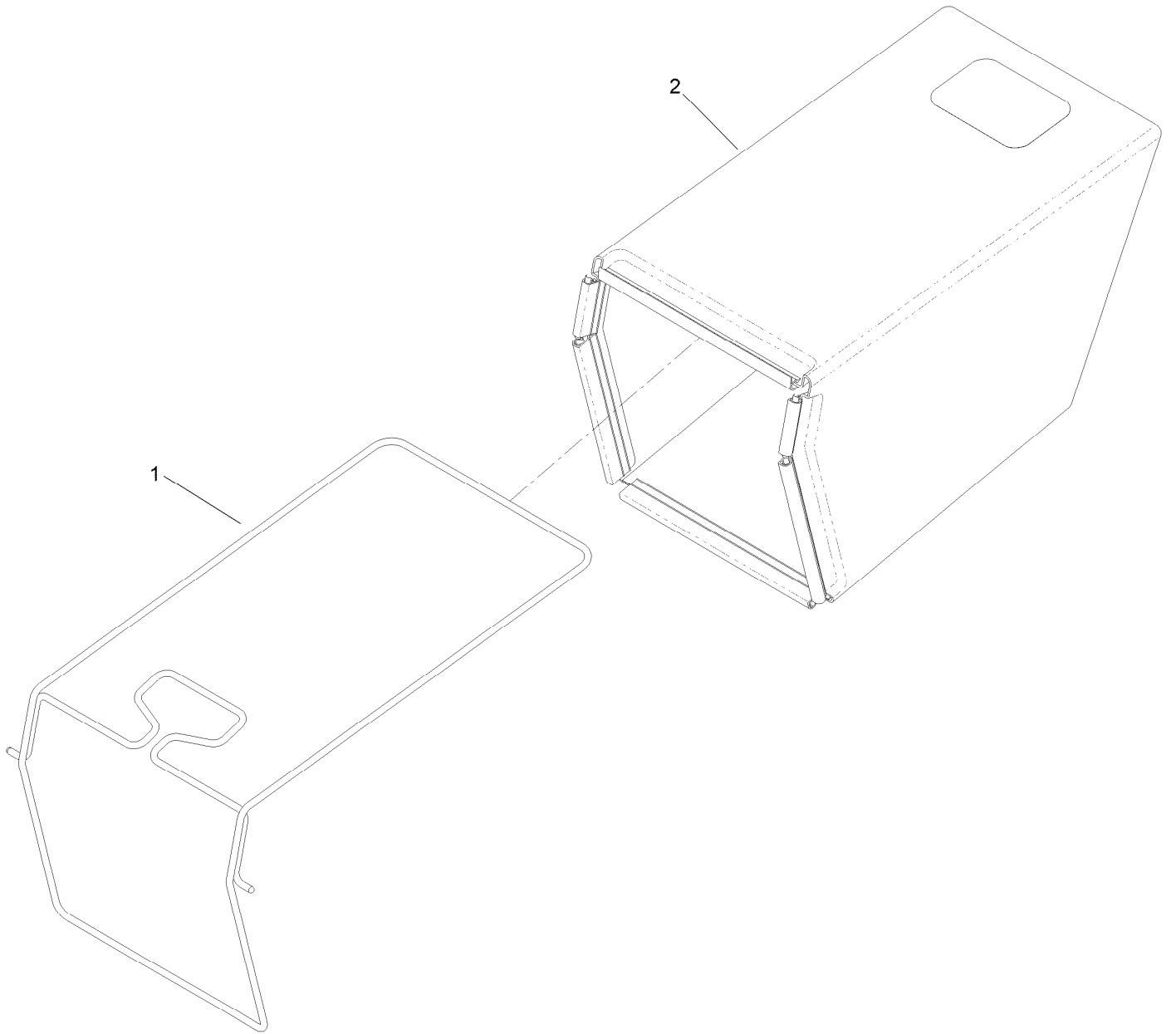
Housing Assembly



Housing Assembly (continued)

<i>Ref.</i>	<i>Part Number</i>	<i>Qty.</i>	<i>Description</i>	<i>Ref.</i>	<i>Part Number</i>	<i>Qty.</i>	<i>Description</i>
1	145-1525	1	Housing ASM	14	32104-120	2	Screw-PPH
2	115-4667-01	1	Baffle-Front	16	139-5476	1	ASM-Rear Door, In Mold
3	137-3099	13	Screw-Plastite, HWH	18	139-5478	1	Spring-Torsion, LH
4	139-5440	1	Baffle-Rear, Rwd	19	139-5479	1	Spring-Torsion, RH
7	131-0837	1	Screw-Shoulder, HHF	30	139-5457	1	Bumper-Front
9	140-2368	1	ASM-Chute, In Mold	31	139-5467	3	Screw-Plastic, HWH
10	139-5443	1	Deflector-Recycle	32	144-0210	1	ASM-Intake, Rwd
11	139-5444	1	Knob-Recycle	33	140-2384	1	Cover-Intake, Bottom
12	139-5445	1	Latch-Recycle	35	145-1487	1	Decal-Vortex Rwd
13	140-4192	1	Spring-Compression				

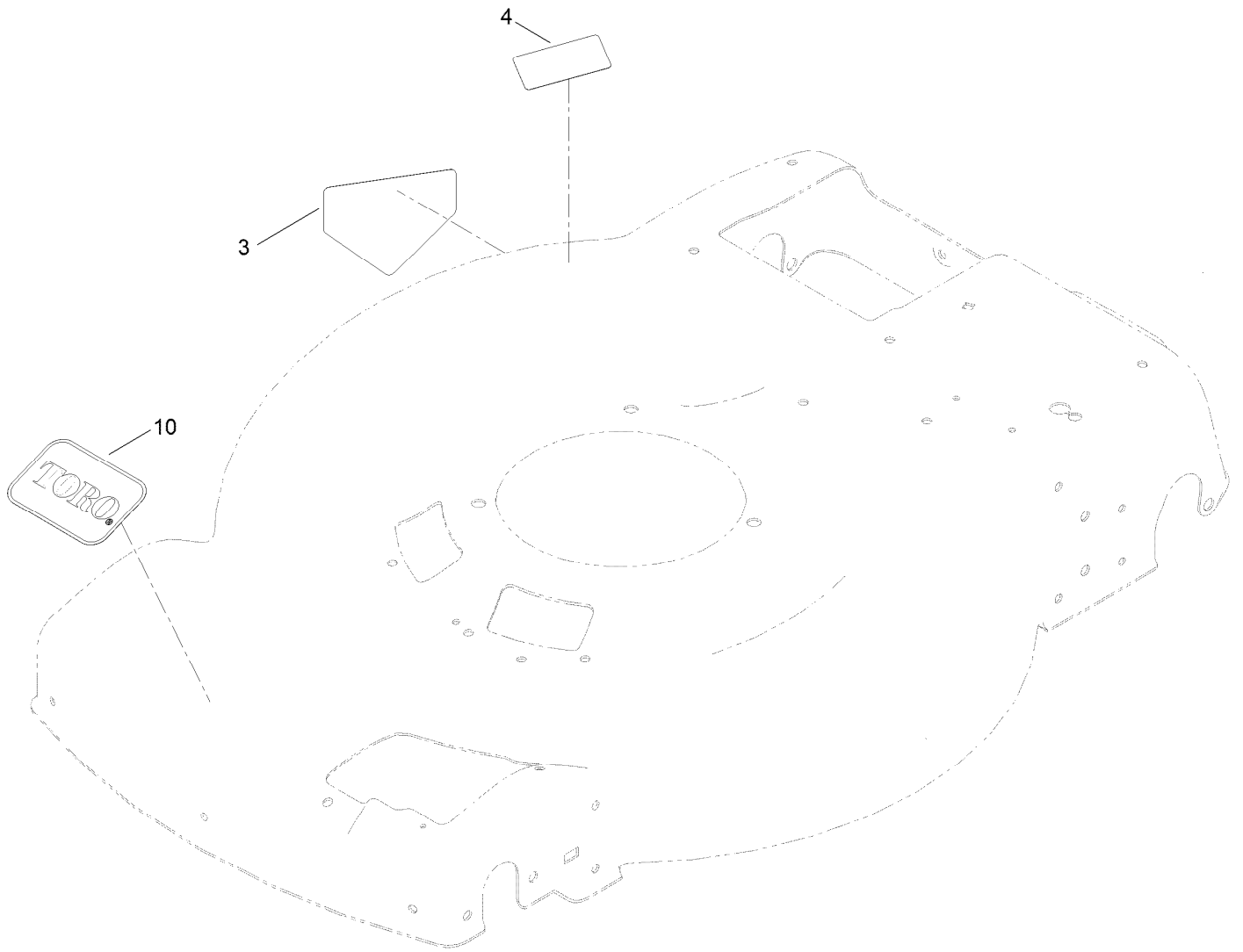
Rear Bag Assembly



Rear Bag Assembly (continued)

<i>Ref.</i>	<i>Part Number</i>	<i>Qty.</i>	<i>Description</i>
1	139-5470-03	1	ASM-Frame, Bag
2	139-5471	1	ASM-Bag, Grass

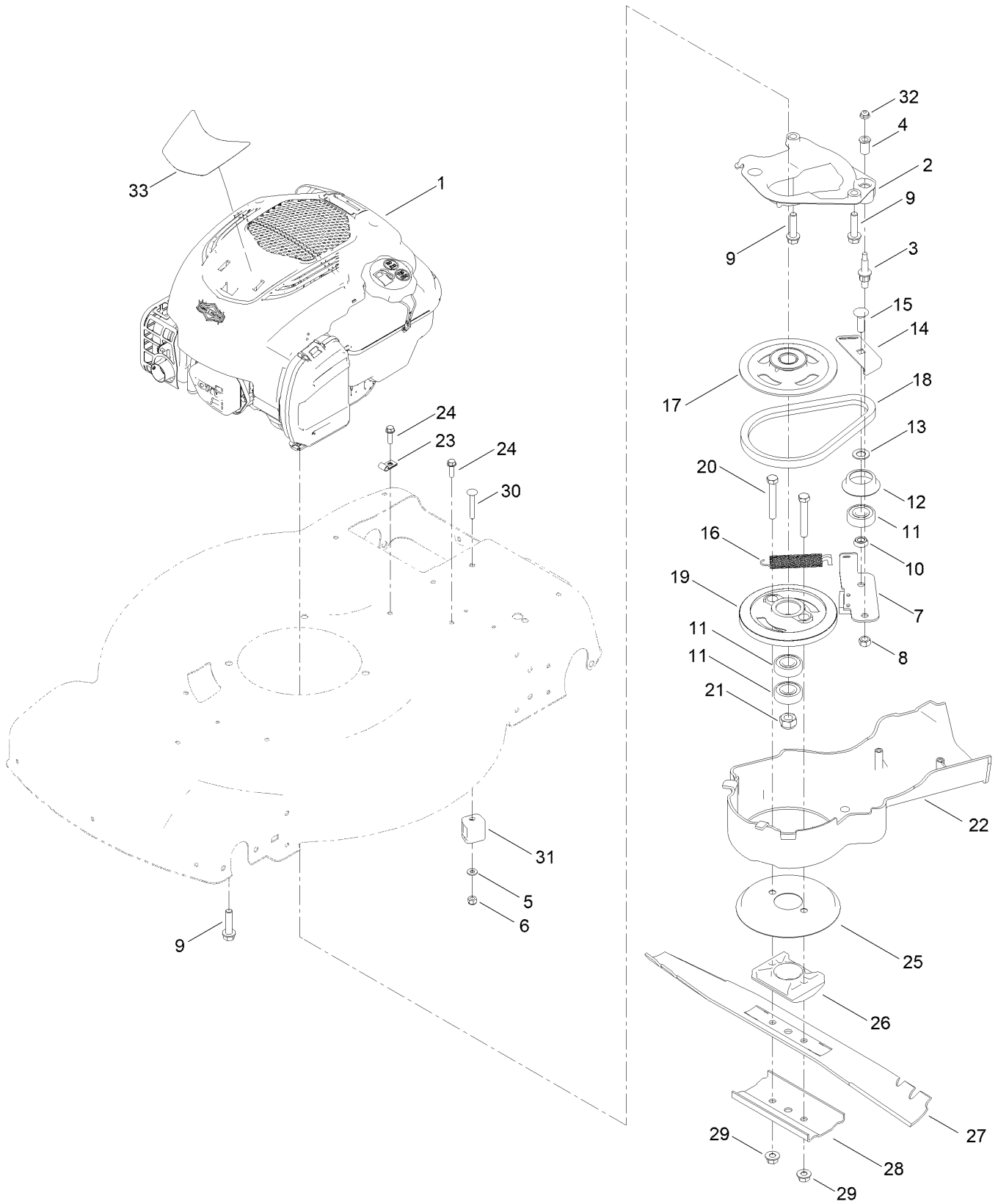
Decal Assembly



Decal Assembly (continued)

<i>Ref.</i>	<i>Part Number</i>	<i>Qty.</i>	<i>Description</i>
3	112-8760	1	Decal-Danger
4	125-5092	1	Decal-Placement, Foot
10	140-4183	1	Decal

Engine and Blade Assembly



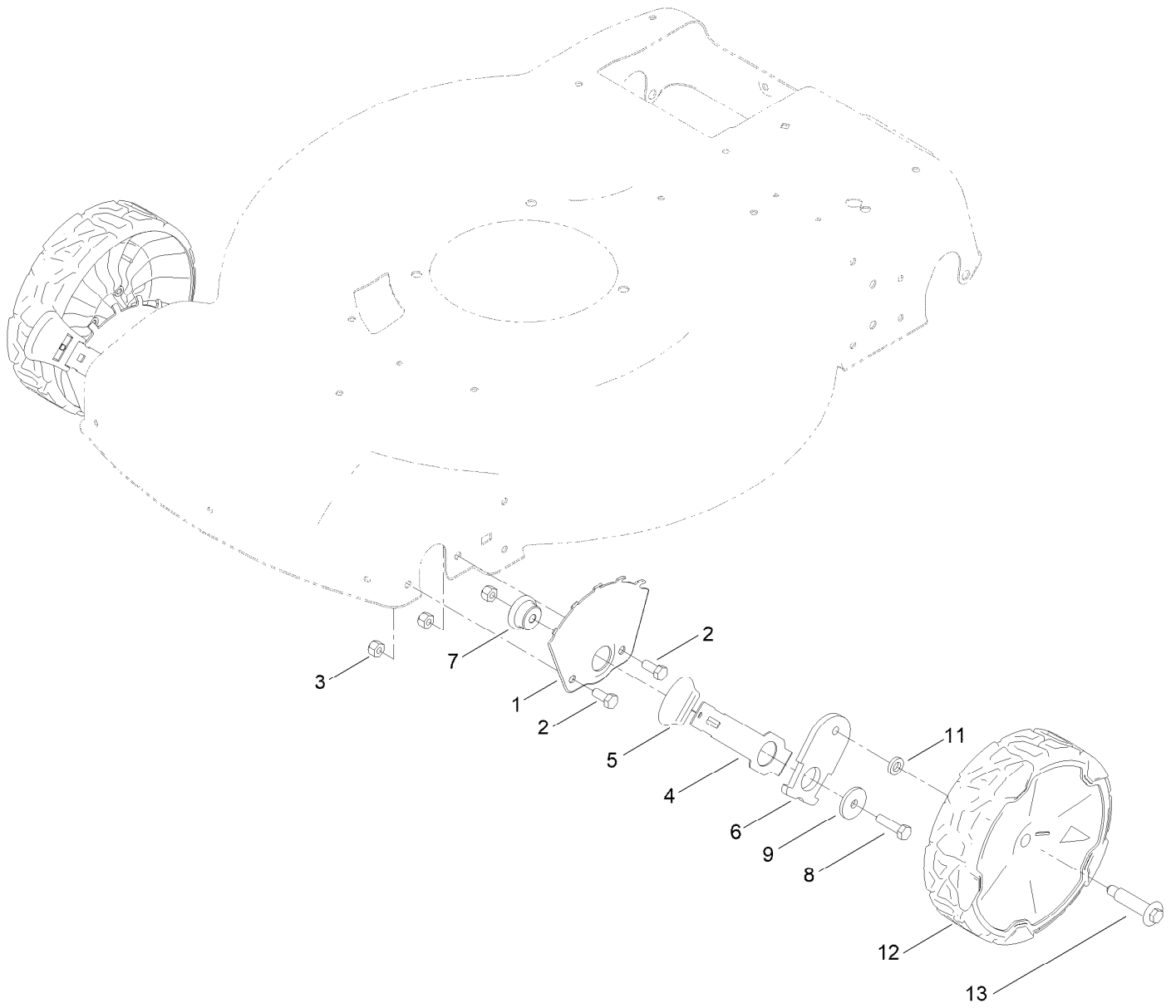
Engine and Blade Assembly (continued)

<i>Ref.</i>	<i>Part Number</i>	<i>Qty.</i>	<i>Description</i>	<i>Ref.</i>	<i>Part Number</i>	<i>Qty.</i>	<i>Description</i>
1		1	Engine-Briggs 104M020052F1[675Exi BBC C] ● ■	17	117-5970	1	Pulley
2	132-4469	1	Plate-Anchor	18	110-1790	1	Belt
3	107-0759	1	Bolt-Shoulder	19	126-8108	1	Drum
4	107-0797	1	Bushing	20	139-1711	2	Screw-HH
5	139-1722	1	Washer-Flat	21	139-1705	1	Nut-Hex
6	137-3094	1	Nut-Hex	22	115-2892	1	Cover
7	125-1063	1	Plate-Brake	23	2412-72	1	Clip-Closed, Insulated
8	603773	2	Nut-Hex Lock	24	137-3099	2	Screw-Plastite, HWH
9	32144-102	3	Screw-HWH	25	138-3225	1	Disk
10	107-0758	1	Spacer-Bearing	26	107-7487	1	Support-Blade
11	38-7820	3	Bearing-Ball	27	131-9683-03	1	Blade
12	138-3217	1	Retainer-Belt	28	108-3766-03	1	Support-Blade
13	605256	1	Spacer	29	139-1706	2	Nut-Flange, Lock
14	138-3222	1	Plate-Guide	30	120-9698	1	Bolt-CARR
15	119-4162	1	Screw-CARR	31	106-6801	1	Anchor-Cable
16	108-3792	1	Spring-Tension, Brake	32	137-3005	1	Nut-HF
				33	145-1457	1	Decal - Briggs 725 Ex

● Not serviced separately

■ Obtain parts from www.briggsandstratton.com

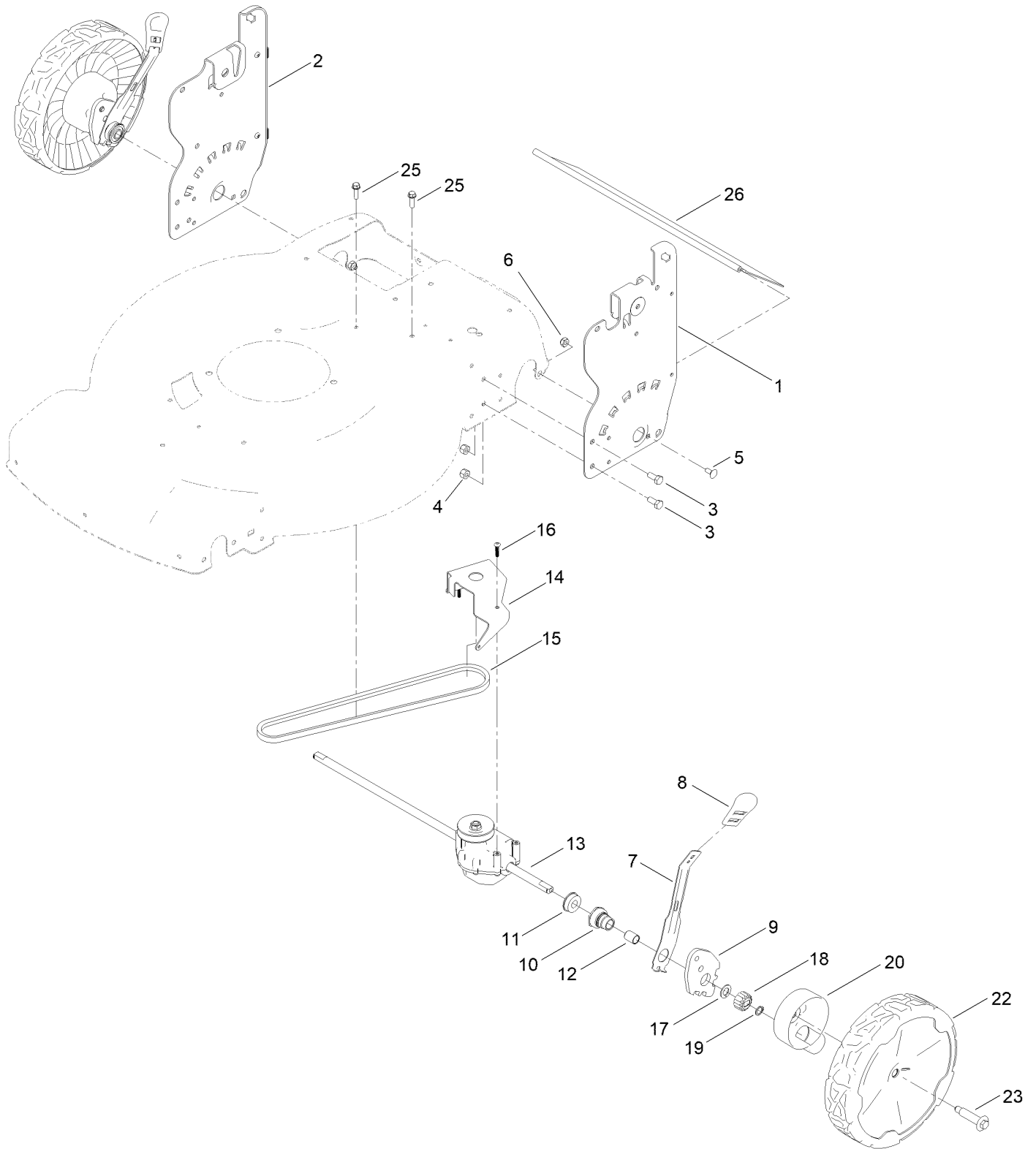
Front Wheel and Height-of-Cut Assembly



Front Wheel and Height-of-Cut Assembly (continued)

<i>Ref.</i>	<i>Part Number</i>	<i>Qty.</i>	<i>Description</i>	<i>Ref.</i>	<i>Part Number</i>	<i>Qty.</i>	<i>Description</i>
1	115-1956-05	2	Plate-HOC,Front Fsvq	7	105-1818	2	Bushing-Mount, HOC
2	137-3052	4	Screw-HH	8	120-9696	2	Screw-HH
3	119-4038	6	Nut-Hex	9	139-1704	2	Washer-Flat
4	105-1809	2	Arm-Spring	11	139-5449	2	Washer-Wheel Bolt
5	110-0549	2	Knob-HOC	12	140-2355	2	ASM-8" Wheel, Idler
6	137-9128	2	Arm-Pivot, Front	13	139-1789	2	Wheel Bolt

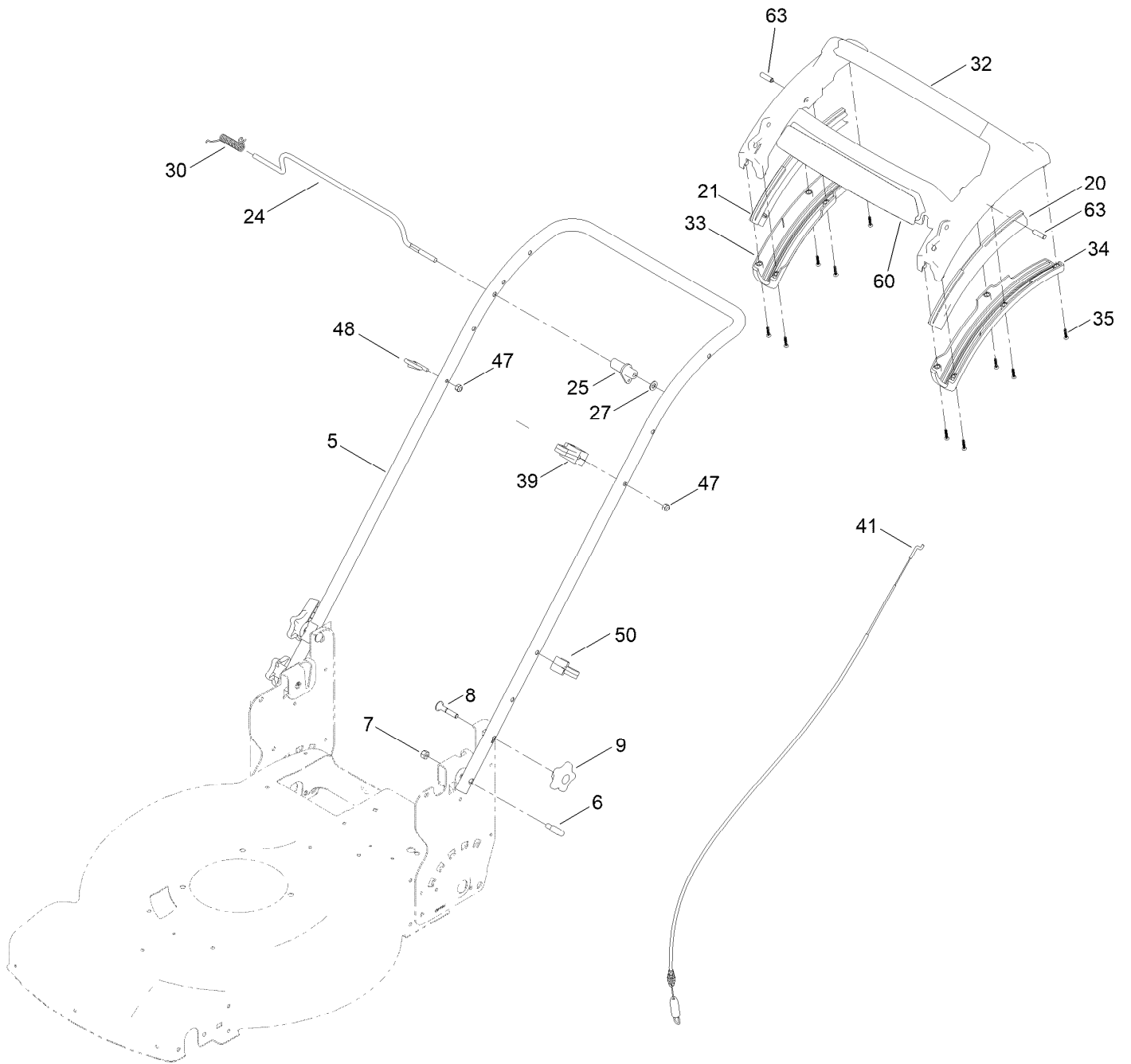
Rear Wheel and Height-of-Cut Assembly



Rear Wheel and Height-of-Cut Assembly (continued)

<i>Ref.</i>	<i>Part Number</i>	<i>Qty.</i>	<i>Description</i>	<i>Ref.</i>	<i>Part Number</i>	<i>Qty.</i>	<i>Description</i>
1	139-6591-05	1	Plate-HOC, LH (ISO)	13	139-6561	1	Transmission-Rwd
2	139-6590-05	1	Plate-HOC, RH (ISO)	14	114-7977-03	1	Bracket-Transmission
3	137-3052	4	Screw-HH	15	140-4041	1	V-Belt
4	119-4038	4	Nut-Hex	16	120-9676	3	Screw-Plastite
5	100-1445	2	Bolt-CARR	17	110-7191	2	Washer-Thrust
6	139-1724	2	Nut-Lock	18	131-5399	2	Gear-Pinion, 15T
7	132-4486	2	Arm-Spring	19	32151-61	2	Ring-Retaining
8	110-0549	2	Knob-HOC	20	140-2362	2	ASM-Cover, Gear (Dk Gray)
9	139-5451	2	Arm-Pivot, Rear	22	140-2350	2	ASM-9.65" Wheel, Geared
10	108-9779	2	Retainer-Bushing, HOC	23	139-1789	2	Wheel Bolt
11	104-8699	2	Bearing-Ball	25	137-3099	2	Screw-Plastite, HWH
12	108-9782	2	Bushing-Sleeve	26	139-6597	1	Shield-Trailing

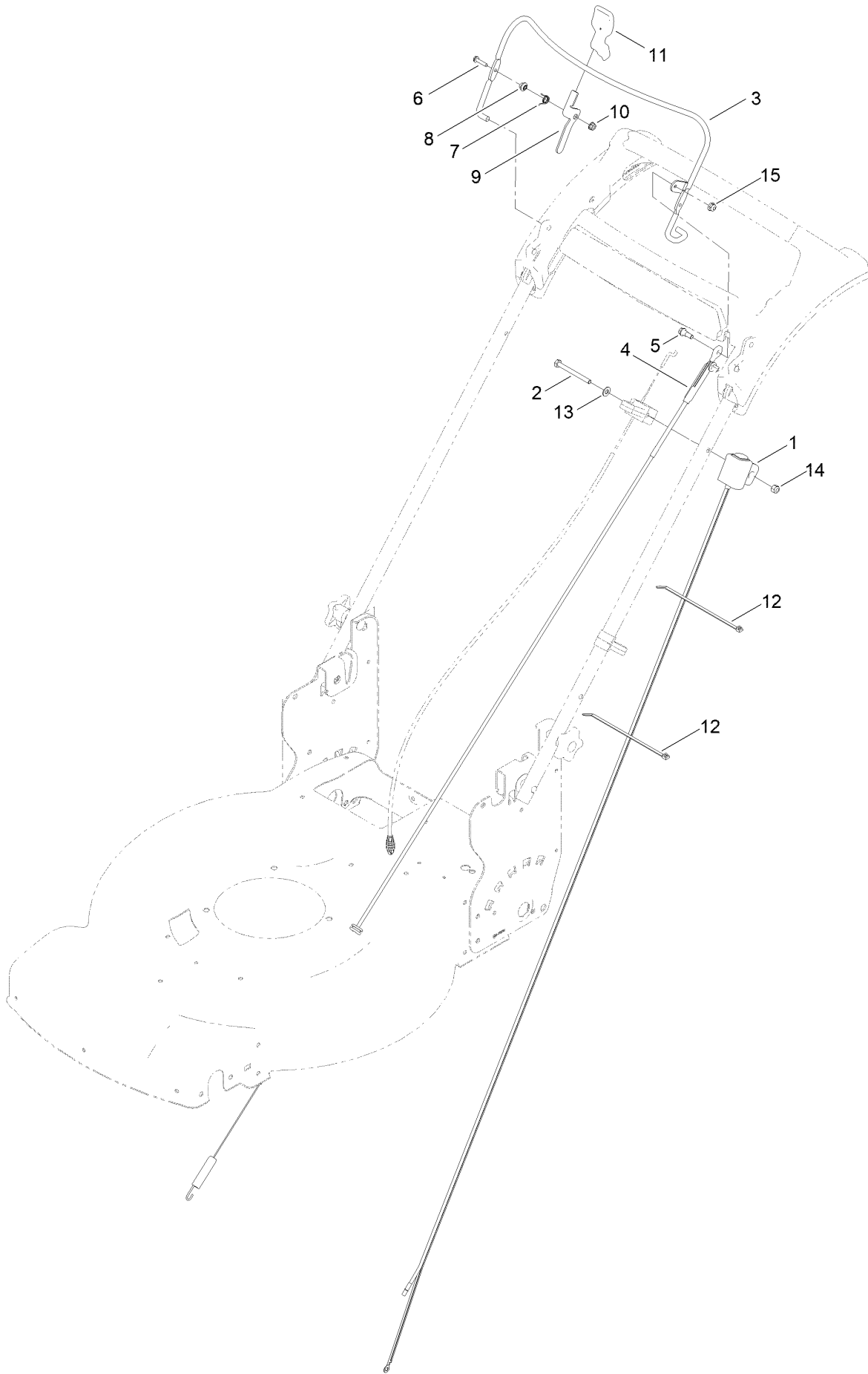
Handle Assembly



Handle Assembly (continued)

<i>Ref.</i>	<i>Part Number</i>	<i>Qty.</i>	<i>Description</i>	<i>Ref.</i>	<i>Part Number</i>	<i>Qty.</i>	<i>Description</i>
5	139-5458-05	1	Handle-Curved	33	139-6567	1	Bottom-Handle, RH
6	139-6599	2	Bolt-Shoulder, Handle	34	139-6568	1	Bottom-Handle, LH
7	119-4038	1	Nut-Hex	35	94-4496	10	Screw-PPH
8	131-9663	2	Screw-CARR	39	139-6581	1	Anchor-Cable, Rwd
9	117-5976	2	Knob-Handle	41	139-6595	1	Cable-Traction, Rwd (Pp)
20	140-2367	1	Guide-Curved, LH (Rwd)	47	137-3094	2	Nut-Hex
21	140-2366	1	Guide-Curved, RH (Rwd)	48	86-9671	1	Guide-Rope
24	139-5464	1	Rod-Control, Traction	50	114-7988	1	Guide-Cable
25	139-6554	1	Lever-Traction, Rwd	60	145-1459	1	Decal - Ads, Handle
27	120-9683	1	Washer-Plain	63	139-6577	2	Pin-Handle, Pp
30	140-4194	1	Spring-Torsion				
32	139-6569	1	Handle-Personal Pace, Curved				

Upper Handle Assembly



Upper Handle Assembly (continued)

<i>Ref.</i>	<i>Part Number</i>	<i>Qty.</i>	<i>Description</i>	<i>Ref.</i>	<i>Part Number</i>	<i>Qty.</i>	<i>Description</i>
1	117-5975	1	Switch Housing ASM	9	144-3174	1	Lever
2	138-3634	1	Screw-HH	10	139-1712	1	Nut-Hex Flange
3	140-4121-03	1	Bail-Brake [black]	11	112-8884	1	Knob
4	115-8439	1	Cable-Brake	12	614249	2	Tie-Cable
5	119-4161	1	Bolt-Shoulder	13	139-1699	1	Washer-Flat
6	106-9169	1	Screw-HWH	14	137-3094	1	Nut-Hex
7	107-7462	1	Spring-Torsion	15	137-3005	1	Nut-HF
8	107-7463	1	Spacer				

Attachments and Accessories

For 21772 55cm Recycler Lawn Mower

Product Name	Model/Part
Chute ASM	139-6556
Lawn Striping Kit with 22in Roller.....	20601
Bag-Walk Behind (Toro).....	490-7318
Lawnmower Cover.....	490-7462
22 Inch Atomic Blade.....	59534P

Notes:

Notes:

Notes:



Count on it.