



Count on it.

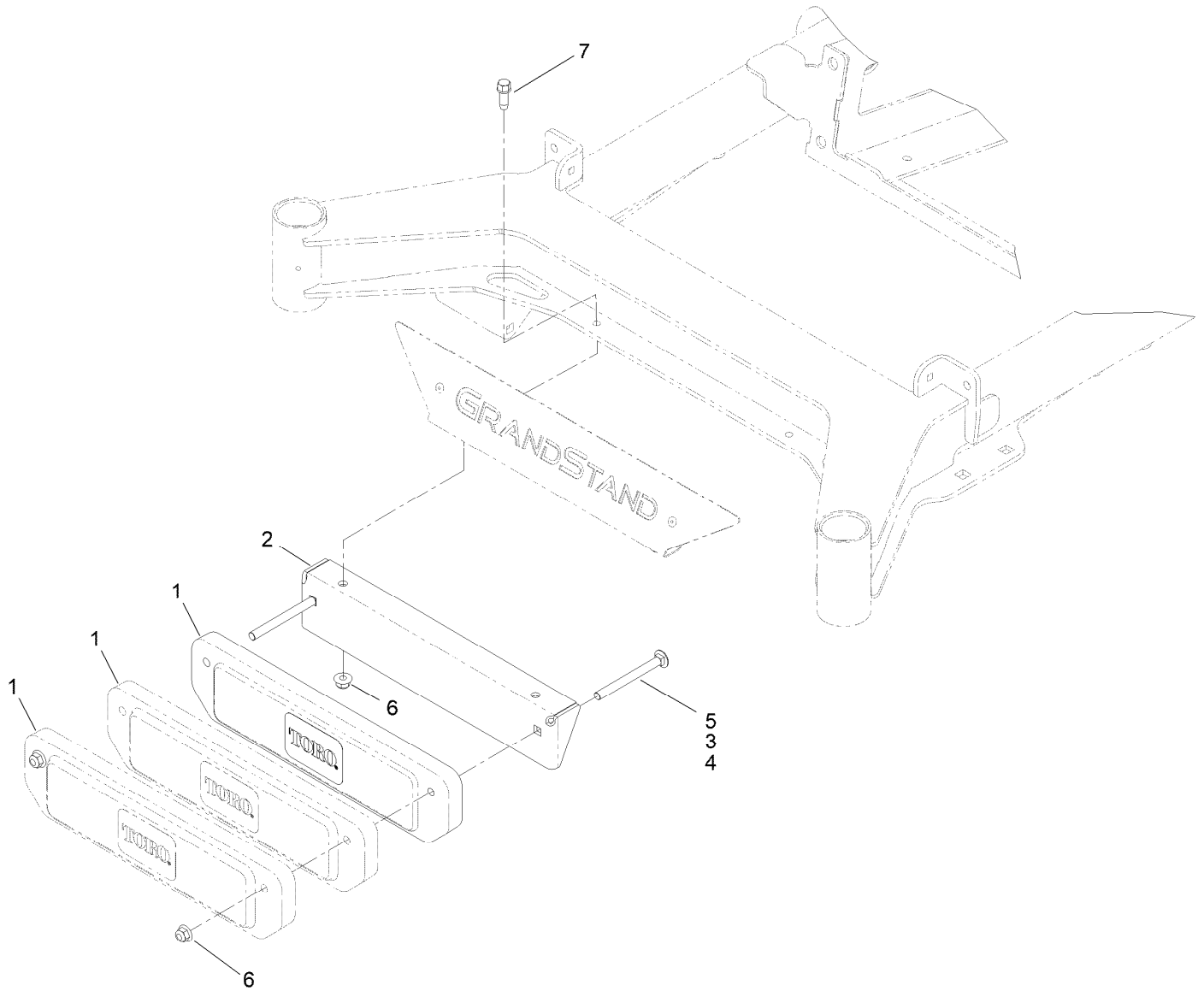
Parts Catalog

Weight Kit

**GrandStand® Revolution Mower with TURBO
FORCE® Cutting Unit**

Model No. 147-0200





Weight Kit Assembly

| <i>Ref.</i> | <i>Part Number</i> | <i>Qty.</i> | <i>Description</i> |
|-------------|--------------------|-------------|----------------------|
| 1 | 112-7059-01 | 1 | Weight-Cast |
| 2 | 145-3593-01 | 1 | Plate-Mount, Weights |
| 3 | 3231-7 | 2 | Screw-CARR |
| 4 | 3231-42 | 2 | Screw-CARR |
| 5 | 135-0313 | 2 | Screw-CARR |
| 6 | 104-8301 | 4 | Nut-HF, NI |
| 7 | 92-1624 | 2 | Screw-HWH Thd Form |