

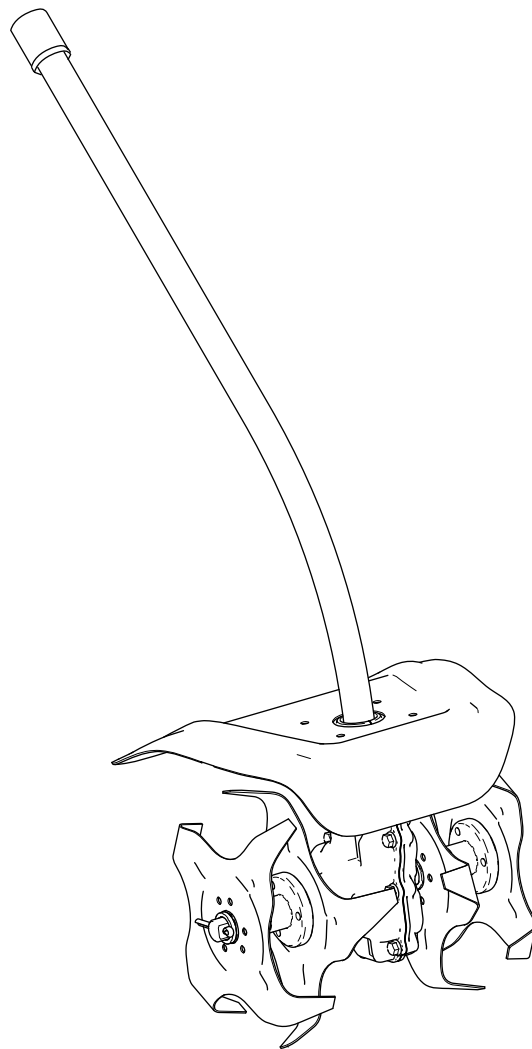


Count on it.

Operator's Manual

Cultivator Attachment
Flex-Force Power System™ 60V MAX
Attachment

Model No. 88715—Serial No. 323000001 and Up





For assistance, please see www.Toro.com/support for instructional videos or contact 1-888-384-9939 before returning this product.

⚠ WARNING

**CALIFORNIA
Proposition 65 Warning**

The power cord on this product contains lead, a chemical known to the State of California to cause birth defects or other reproductive harm. Wash hands after handling.

Use of this product may cause exposure to chemicals known to the State of California to cause cancer, birth defects, or other reproductive harm.

Introduction

This cultivator attachment is intended to be used by residential homeowners to cultivate and level soil as well as blend landscape materials, compost, and fertilizer. It is to be used only by adults. It is designed to be used in combination with the Toro Flex-Force Power System 60V MAX Attachment-Capable Power Head Model 51810T. Using this product for purposes other than its intended use could prove dangerous to you and bystanders.

Read this information carefully to learn how to operate and maintain your product properly and to avoid injury and product damage. You are responsible for operating the product properly and safely.

Visit www.Toro.com for product safety and operation training materials, accessory information, help finding a dealer, or to register your product.

Whenever you need service, genuine the manufacturer parts, or additional information, contact an Authorized Service Dealer or the manufacturer Customer Service and have the model and serial numbers of your product ready. **Figure 1** identifies the location of the model and serial numbers on the product. Write the numbers in the space provided.

Important: With your mobile device, you can scan the QR code (if equipped) on the serial number plate to access warranty, parts, and other product information.

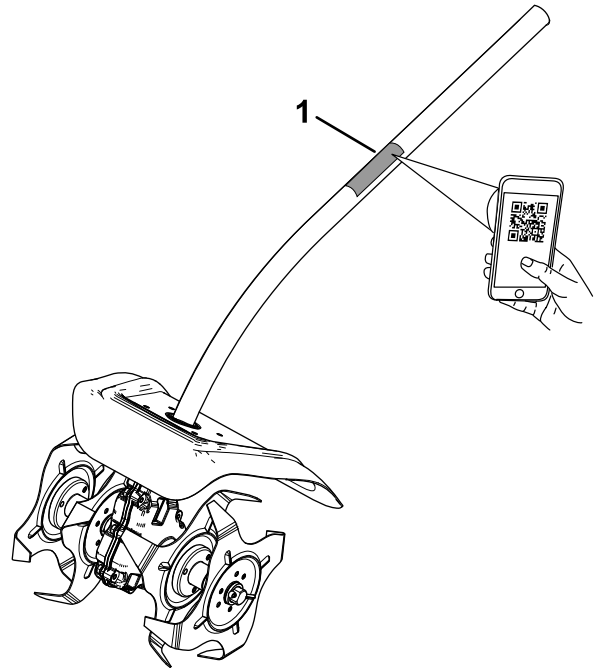


Figure 1

1. Model and serial number location

g426315

Model No.	_____
Serial No.	_____

Safety-Alert Symbol

The safety-alert symbol (Figure 2) shown in this manual and on the machine identifies important safety messages that you must follow to prevent accidents.



Figure 2
Safety-alert symbol

g000502

The safety-alert symbol appears above information that alerts you to unsafe actions or situations and is followed by the word **DANGER**, **WARNING**, or **CAUTION**.

DANGER indicates an imminently hazardous situation which, if not avoided, **will** result in death or serious injury.

WARNING indicates a potentially hazardous situation which, if not avoided, **could** result in death or serious injury.

CAUTION indicates a potentially hazardous situation which, if not avoided, **may** result in minor or moderate injury.

This manual uses two other words to highlight information. **Important** calls attention to special mechanical information and **Note** emphasizes general information worthy of special attention.

The Model 51810T Power Head is compatible with a variety of Toro-approved attachments that, when combined, comply with specific standards; see the following table for more detail.

Combination	Power Head Model	Attachment Model	Standard
String Trimmer	51810T	88716	Conforms to UL STD 82 Certified to CSA STD C22.2 No. 147
Edger	51810T	88710	Conforms to UL STD 82 Certified to CSA STD C22.2 No. 147
Pole Saw	51810T	88714	Conforms to UL STD 82 Certified to CSA STD C22.2 No. 147
Cultivator	51810T	88715	Conforms to UL STD 82 Certified to CSA STD C22.2 No. 147
Hedge Trimmer	51810T	88713	Conforms to UL STD 62841-4-2 Certified to CSA STD C22.2 62841-4-2

Safety

Read All Instructions

WARNING—When using electric gardening appliances, always read and follow basic safety warnings and instructions to reduce the risk of fire, electric shock, and personal injury, including the following:

IMPORTANT SAFETY INSTRUCTIONS

I. Training

1. The operator of the machine is responsible for any accidents or hazards occurring to others or their property.
2. Do not allow children to use or play with the machine, battery pack, or the battery charger; local regulations may restrict the age of the operator.
3. Do not allow children or untrained people to operate or service this device. Allow only people who are responsible, trained, familiar with the instructions, and physically capable to operate or service the device.
4. Before using the machine, battery pack, and battery charger, read all the instructions and cautionary markings on these products.
5. Become familiar with the controls and proper use of the machine, battery pack, and battery charger.

II. Preparation

1. Keep bystanders and children away from the operating area.
2. Use only the battery pack specified by Toro. Using other accessories and attachments may increase the risk of injury and fire.
3. Plugging the battery charger into an outlet that is not 120 V can cause a fire or electric shock. Do not plug the battery charger into an outlet other than 120 V. For a different style of connection, use an attachment plug adapter of the proper configuration for the power outlet if needed.
4. Do not use a damaged or modified battery pack or battery charger, which may exhibit unpredictable behavior that results in fire, explosion, or risk of injury.
5. If the supply cord to the battery charger is damaged, contact an Authorized Service Dealer to replace it.
6. Charge the battery pack with only the battery charger specified by Toro. A charger suitable for

1 type of battery pack may create a risk of fire when used with another battery pack.

7. Charge the battery pack in a well-ventilated area only.
8. Follow all charging instructions and do not charge the battery pack outside of the temperature range specified in the instructions. Otherwise, you may damage the battery pack and increase the risk of fire.
9. Do not operate the machine without all guards and other safety protective devices in place and functioning properly on the machine.
10. Dress properly—Wear appropriate clothing, including eye protection; long pants; substantial, slip-resistant footwear; rubber gloves; and hearing protection. Tie back long hair and do not wear loose clothing or loose jewelry that can get caught in moving parts. Wear a dust mask in dusty operating conditions.

III. Operation

1. Avoid dangerous environments—Do not use the machine in rain or in damp or wet locations.
2. Use the proper machine for your application—Using the machine for purposes other than its intended use could prove dangerous to you and bystanders.
3. Prevent unintentional starting—Ensure that the switch is in the OFF position before connecting to the battery pack and handling the machine. Do not carry the machine with your finger on the switch or energize the machine with the switch in the ON position.
4. Do not grasp the exposed cutting blades or cutting edges when picking up or holding the machine.
5. Operate the machine only in daylight or good artificial light.
6. Remove the battery pack from the machine before adjusting it or changing accessories.
7. Keep your hands and feet away from the cutting area and all moving parts.
8. Stop the machine, remove the battery pack from the machine, and wait for all movement to stop before adjusting, servicing, cleaning, or storing the machine.
9. Remove the battery pack from the machine whenever you leave it unattended.
10. Do not force the machine—Allow the machine to do the job better and safer at the rate for which it was designed.
11. Do not overreach—Keep proper footing and balance at all times, especially on slopes. Walk, never run with the machine.

12. Use extreme caution when reversing or pulling the machine towards you.
13. Be careful when operating the machine in hard ground. The blades can catch in the ground and propel the machine forward.
14. If an object becomes lodged in the blades, shut off the machine and remove the battery before removing the object.
15. Start the motor carefully according to manufacturer instructions and with feet well away from the machine.
16. Never transport the machine while the motor is running.
17. Stay alert—Watch what you are doing and use common sense when operating the machine. Do not use the machine while ill, tired, or under the influence of alcohol or drugs.
18. Ensure that the ventilation openings are kept clear of debris.
19. Under abusive conditions, the battery pack may eject liquid; avoid contact. If you accidentally come into contact with the liquid, flush with water. If the liquid contacts your eyes, seek medical help. Liquid ejected from the battery pack may cause irritation or burns.
20. Do not expose a battery pack or tool to fire or excessive temperature. Exposure to fire or temperature above 130°C (265°F) may cause explosion.
21. CAUTION—A mistreated battery pack may present a risk of fire, explosion, or chemical burn.
 - Do not disassemble the battery pack.
 - Replace the battery pack with a genuine Toro battery pack only; using another type of battery pack may cause a fire or risk of injury.
 - Keep battery packs out of the reach of children and in the original packaging until you are ready to use them.
4. Keep your hands and feet away from moving parts.
5. Stop the machine, remove the battery pack from the machine, and wait for all movement to stop before adjusting, servicing, cleaning, or storing the machine.
6. Check the machine for damaged parts—If there are damaged guards or other parts, determine whether it will operate properly. Check for misaligned and binding moving parts, broken parts, mounting, and any other condition that may affect its operation. Unless indicated in the instructions, have an Authorized Service Dealer repair or replace a damaged guard or part.
7. If the blade becomes worn, bent, or damaged, replace it; contact an authorized Toro distributor.
8. Do not replace the existing non-metallic cutting means on the machine with a metallic cutting means.
9. Do not attempt to service or repair the machine, battery pack, or battery charger except as indicated in the instructions. Have an Authorized Service Dealer perform service using identical replacement parts to ensure that the product is safely maintained.
10. Store an idle machine indoors in a place that is dry, secure, and out of the reach of children.
11. Do not dispose of the battery in a fire. The cell may explode. Check with local codes for possible special disposal instructions.

SAVE THESE INSTRUCTIONS

IV. Maintenance and Storage

1. Maintain the machine with care—Keep it clean and in good repair for best performance and to reduce the risk of injury. Follow the instructions for lubricating and changing accessories. Keep handles dry, clean, and free from oil and grease.
2. Keep all nuts, bolts and screws tight to ensure the machine is in safe working condition.
3. When the battery pack is not in use, keep it away from metal objects such as paper clips, coins, keys, nails, and screws that can make a connection from 1 terminal to another. Shorting the battery terminals may cause burns or a fire.

Safety and Instructional Decals



Safety decals and instructions are easily visible to the operator and are located near any area of potential danger. Replace any decal that is damaged or missing.



139-5346

decal139-5346



139-5210

decal139-5210

1. Warning—read the *Operator's Manual*; stay away from moving parts; keep all guards in place; wear eye protection; do not operate in wet conditions.

Setup

Loose Parts

Use the chart below to verify that all parts have been shipped.

Description	Qty.	Use
No parts required	–	Connect the attachment to the power head.

Connecting the Attachment to the Power Head

1. Install the square shaft of the attachment into the square shaft of the power head (A of [Figure 3](#)).
2. Align the locking button on the lower shaft with the slotted hole on the upper shaft and slide the 2 shafts together (B and C of [Figure 3](#)).
3. The locking button clicks into the slotted hole when the shafts are secured (C of [Figure 3](#)).
4. Using the screw-handle, tighten the screw on the shaft connector until it is secure (D of [Figure 3](#)).

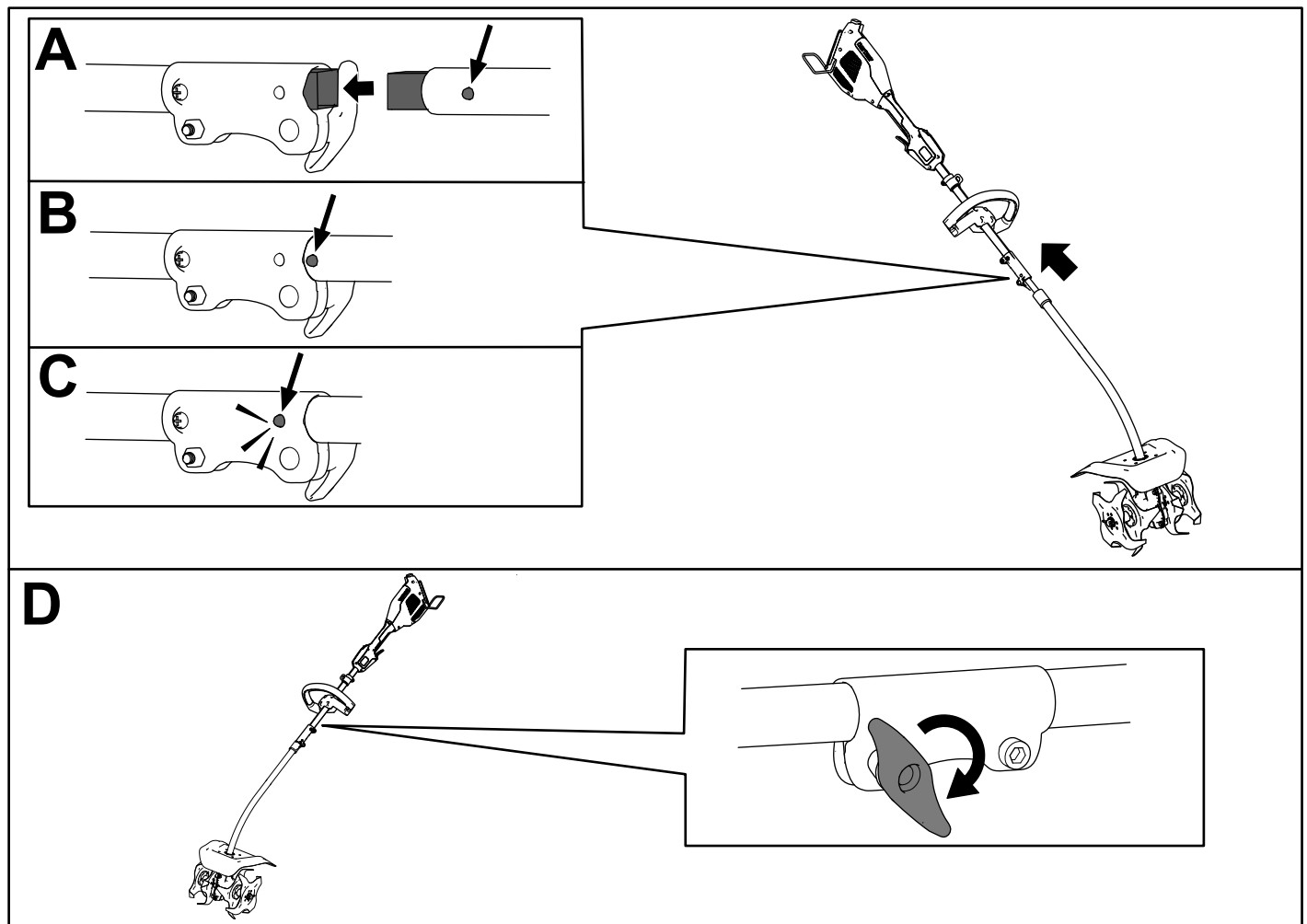


Figure 3

g963113

Product Overview

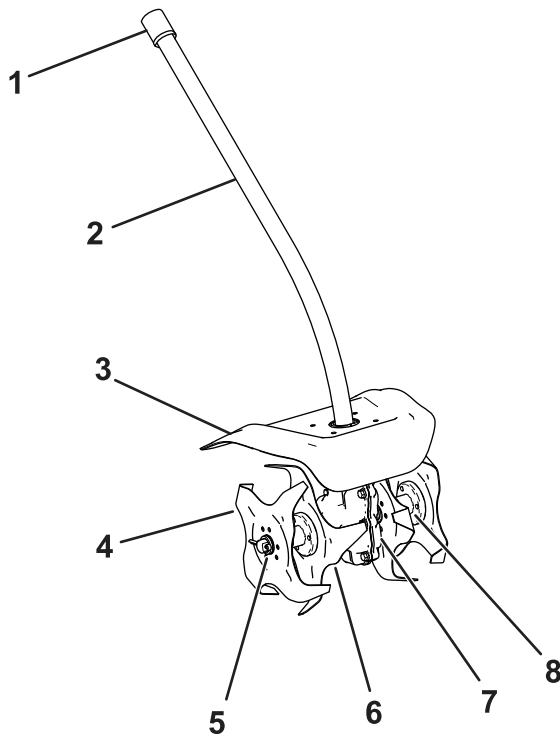


Figure 4

g358711

- | | |
|----------------|----------------|
| 1. End cap | 5. Pin |
| 2. Shaft | 6. Inner blade |
| 3. Guard | 7. Gearbox |
| 4. Outer blade | 8. Sleeve |

Specifications

Model	88715, attaches to 51810T
Blade Size	25.4 cm (10 inches)
Tilling Width	24.5 cm (10 inches)
Weight	8.6 kg (19.0 lbs)

Appropriate Temperature Ranges

Charge/store the battery pack at	5°C (41°F) to 40°C (104°F)*
Use the battery pack at	-30°C (-22°F) to 49°C (120°F)*
Use the machine at	0°C (32°F) to 49°C (120°F)*

*Charging time will increase if you do not charge the battery pack within this range.

Store the machine, battery pack, and battery charger in an enclosed clean, dry area.

Attachments/Accessories

A selection of Toro approved attachments and accessories is available for use with the machine to enhance and expand its capabilities. Contact your Authorized Service Dealer or authorized Toro distributor or go to www.Toro.com for a list of all approved attachments and accessories.

To ensure optimum performance and continued safety certification of the machine, use only genuine Toro replacement parts and accessories. Replacement parts and accessories made by other manufacturers could be dangerous.

Operation

Starting the Attachment

1. Ensure that the vents on the attachment, power head, and battery are clear of any dust and debris.
2. Align the cavity in the battery pack with the tongue on the handle housing (Figure 5).

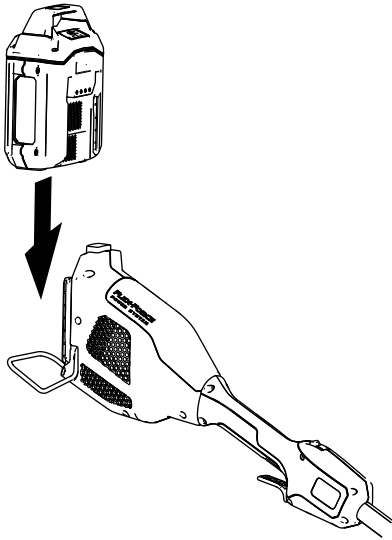


Figure 5

g357444

3. Push the battery pack into the handle until the battery locks into the latch.
4. To start the attachment, press the lockout button, then squeeze the run trigger (Figure 6).

Note: Slide the 2-speed switch to change the speed of the attachment.

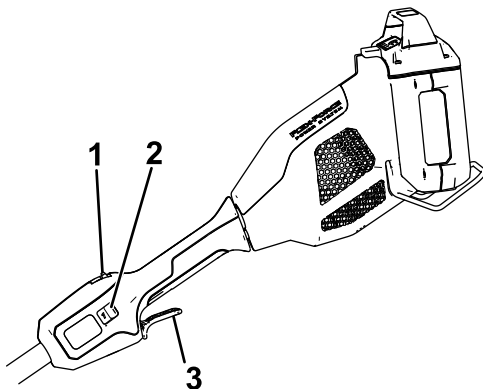


Figure 6

g357456

1. Lockout button
2. 2-speed switch
3. Run trigger

Shutting Off the Cultivator

To shut off the cultivator, release the run trigger (Figure 6). Allow at least 5 seconds for the blades to stop moving.

Whenever you are not using the cultivator or are transporting the cultivator to or from the work area, remove the battery pack.

Removing the Battery Pack from the Power Head

Press the battery latch on the machine to release the battery pack and slide the battery pack out of the machine (Figure 7).

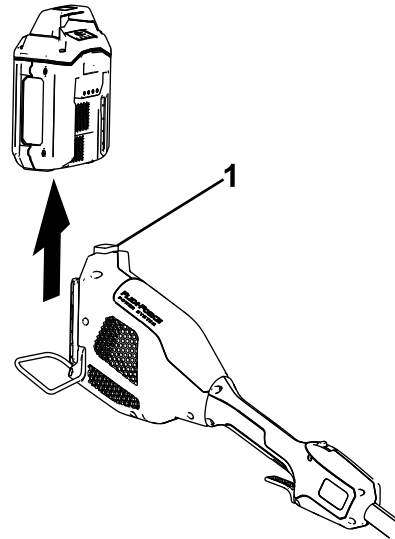


Figure 7

g357457

1. Battery latch

Removing the Attachment from the Power Head

1. Ensure that the battery pack is removed from the power head; refer to [Removing the Battery Pack from the Power Head](#) (page 9).
2. Loosen the screw-handle on the shaft connector (Figure 3).
3. Press the locking button down while pulling the 2 shafts apart (Figure 3).

Operating Tips

- Hold the cultivator with your right hand on the rear handle and your left hand on the front handle.
- Keep a firm grip with both hands while in operation.
- The cultivator should be held at a comfortable position with the rear handle at about hip height.
- Inspect the area where you will use the cultivator and remove all objects such as large rocks, trash, and branches before cultivating to prevent equipment damage.
- Always begin cultivating with the slowest speed possible. Increase the speed if conditions permit.
- Do not place excessive body weight on the cultivator. Use the weight of the machine to cultivate more efficiently.

Maintenance

After each use of the cultivator, complete the following:

1. Remove the battery from the cultivator.
2. Wipe the cultivator clean with a damp cloth. Do not hose the cultivator down or submerge it in water.
3. Wipe or scrape clean the cutting head area any time there is an accumulation of debris.
4. Check and tighten all fasteners. If any part is damaged or lost, repair or replace it.
5. Brush debris away from air intake vents and exhaust on motor housing to prevent the motor from overheating.

Storage

Important: Store the tool, battery pack, and charger only in temperatures that are within the appropriate range; refer to [Specifications \(page 8\)](#).

Important: If you are storing the battery pack for the off-season, remove the battery pack from the tool and charge the battery pack until 2 or 3 LED indicators turn green on the battery. Do not store a fully charged or fully depleted battery. When you are ready to use the tool again, charge the battery pack until the left indicator light turns green on the charger or all 4 LED indicators turn green on the battery.

- Disconnect the product from the power supply (i.e., remove the plug from the power supply or the battery pack) and check for damage after use.
- Do not store the tool with the battery pack installed.
- Clean all foreign material from the product.
- When not in use, store the tool, battery pack, and battery charger out of the reach of children.
- Keep the tool, battery pack, and battery charger away from corrosive agents, such as garden chemicals and de-icing salts.
- To reduce the risk of serious personal injury, do not store the battery pack outside or in vehicles.
- Store the tool, battery pack, and battery charger in an enclosed clean, dry area.

Preparing the Battery Pack for Recycling

Important: Upon removal, cover the terminals of the battery pack with heavy-duty adhesive tape. Do not attempt to destroy or disassemble the battery pack or remove any of its components.



Lithium-ion battery packs labeled with the Call2Recycle seal can be recycled at any participating retailer or battery recycling facility in the Call2Recycle program (US and Canada only). To locate a participating retailer or facility closest to you, please call 1-800-822-8837 or visit www.call2recycle.org. If you cannot locate a participating retailer or facility nearby, or if your rechargeable battery is not labeled with the Call2Recycle seal, please contact your local municipality for more information on how to responsibly recycle the battery. If you are located outside of the US and Canada, please contact your authorized Toro distributor.

Troubleshooting

Perform only the steps described in these instructions. All further inspection, maintenance, and repair work must be performed by an authorized service center or a similarly qualified specialist if you cannot solve the problem yourself.

Always remove the battery from the tool when troubleshooting, inspecting, maintaining, or cleaning the tool.

Problem	Possible Cause	Corrective Action
The tool does not start.	<ol style="list-style-type: none"> 1. The battery is not fully installed in the tool. 2. The battery pack is not charged. 3. The battery pack is damaged. 4. There is another electrical problem with the tool. 	<ol style="list-style-type: none"> 1. Remove and then replace the battery into the tool, making sure that it is fully installed and latched. 2. Remove the battery pack from the tool and charge it. 3. Replace the battery pack. 4. Contact an Authorized Service Dealer.
The tool does not reach full power.	<ol style="list-style-type: none"> 1. The battery pack charge capacity is too low. 2. The air vents are blocked. 	<ol style="list-style-type: none"> 1. Remove the battery pack from the tool and fully charge the battery pack. 2. Clean the air vents.
The tool is producing excessive vibration or noise.	<ol style="list-style-type: none"> 1. There is debris on the cutting head of the edger. 2. The blade is not properly tightened. 	<ol style="list-style-type: none"> 1. Clean any debris off from the cutting head area. 2. Tighten the blade.
The cultivator stops during use.	<ol style="list-style-type: none"> 1. The depth is too low. 2. Walking or cultivating too fast. 	<ol style="list-style-type: none"> 1. Raise the cultivator. 2. Slow your pace so the machine can work effectively.
The battery pack loses charge quickly.	<ol style="list-style-type: none"> 1. The battery pack is over or under the appropriate temperature range. 	<ol style="list-style-type: none"> 1. Move the battery pack to a place where it is dry and the temperature is between 5°C (41°F) and 40°C (104°F).
The tool does not run or run continuously.	<ol style="list-style-type: none"> 1. There is moisture on the leads of the battery pack. 2. The battery is not fully installed into the tool. 	<ol style="list-style-type: none"> 1. Allow the battery pack to dry or wipe it dry. 2. Remove and then replace the battery into the tool making sure that it is fully installed and latched.

Notes:

Notes:

California Proposition 65 Warning Information

What is this warning?

You may see a product for sale that has a warning label like the following:



WARNING: Cancer and Reproductive Harm—www.p65Warnings.ca.gov.

What is Prop 65?

Prop 65 applies to any company operating in California, selling products in California, or manufacturing products that may be sold in or brought into California. It mandates that the Governor of California maintain and publish a list of chemicals known to cause cancer, birth defects, and/or other reproductive harm. The list, which is updated annually, includes hundreds of chemicals found in many everyday items. The purpose of Prop 65 is to inform the public about exposure to these chemicals.

Prop 65 does not ban the sale of products containing these chemicals but instead requires warnings on any product, product packaging, or literature with the product. Moreover, a Prop 65 warning does not mean that a product is in violation of any product safety standards or requirements. In fact, the California government has clarified that a Prop 65 warning "is not the same as a regulatory decision that a product is 'safe' or 'unsafe.'" Many of these chemicals have been used in everyday products for years without documented harm. For more information, go to <https://oag.ca.gov/prop65/faqs-view-all>.

A Prop 65 warning means that a company has either (1) evaluated the exposure and has concluded that it exceeds the "no significant risk level"; or (2) has chosen to provide a warning based on its understanding about the presence of a listed chemical without attempting to evaluate the exposure.

Does this law apply everywhere?

Prop 65 warnings are required under California law only. These warnings are seen throughout California in a wide range of settings, including but not limited to restaurants, grocery stores, hotels, schools, and hospitals, and on a wide variety of products. Additionally, some online and mail order retailers provide Prop 65 warnings on their websites or in catalogs.

How do the California warnings compare to federal limits?

Prop 65 standards are often more stringent than federal and international standards. There are various substances that require a Prop 65 warning at levels that are far lower than federal action limits. For example, the Prop 65 standard for warnings for lead is 0.5 µg/day, which is well below the federal and international standards.

Why don't all similar products carry the warning?

- Products sold in California require Prop 65 labelling while similar products sold elsewhere do not.
- A company involved in a Prop 65 lawsuit reaching a settlement may be required to use Prop 65 warnings for its products, but other companies making similar products may have no such requirement.
- The enforcement of Prop 65 is inconsistent.
- Companies may elect not to provide warnings because they conclude that they are not required to do so under Prop 65; a lack of warnings for a product does not mean that the product is free of listed chemicals at similar levels.

Why does the manufacturer include this warning?

the manufacturer has chosen to provide consumers with as much information as possible so that they can make informed decisions about the products they buy and use. the manufacturer provides warnings in certain cases based on its knowledge of the presence of one or more listed chemicals without evaluating the level of exposure, as not all the listed chemicals provide exposure limit requirements. While the exposure from the manufacturer products may be negligible or well within the "no significant risk" range, out of an abundance of caution, the manufacturer has elected to provide the Prop 65 warnings. Moreover, if the manufacturer does not provide these warnings, it could be sued by the State of California or by private parties seeking to enforce Prop 65 and subject to substantial penalties.



Count on it.