



EN Pole Hedge Trimmer Attachment

88713

ES Accesorio de cortasetos de pértiga

88713

FR Taille-haie sur perche

88713



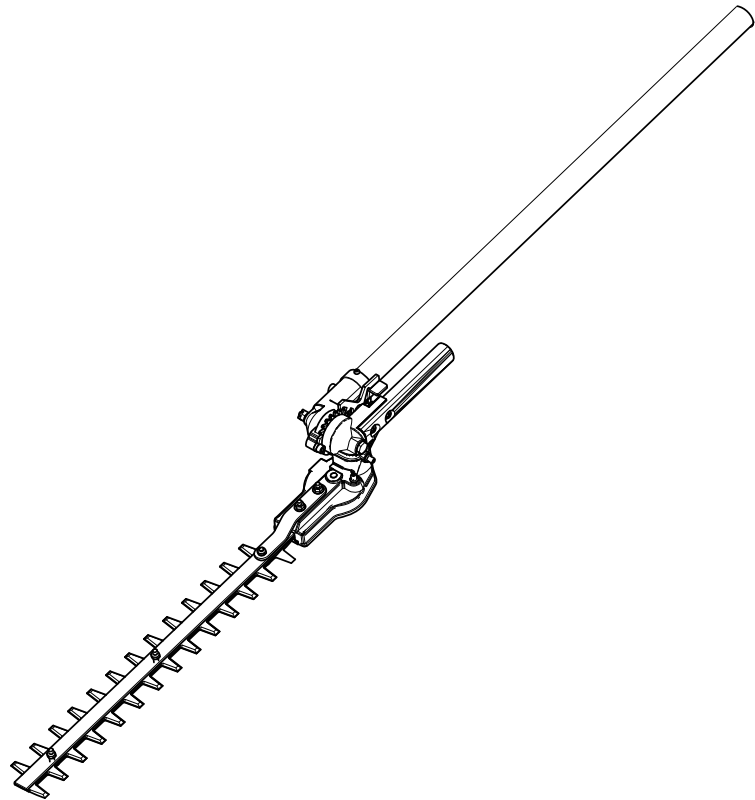


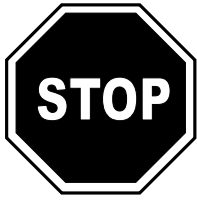
Count on it.

Operator's Manual

**Pole Hedge Trimmer Attachment
Flex-Force Power System™ 60V MAX
Attachment**

Model No. 88713—Serial No. 323000001 and Up





For assistance, please see www.Toro.com/support for instructional videos or contact your Authorized Service Dealer before returning this product.

⚠ WARNING

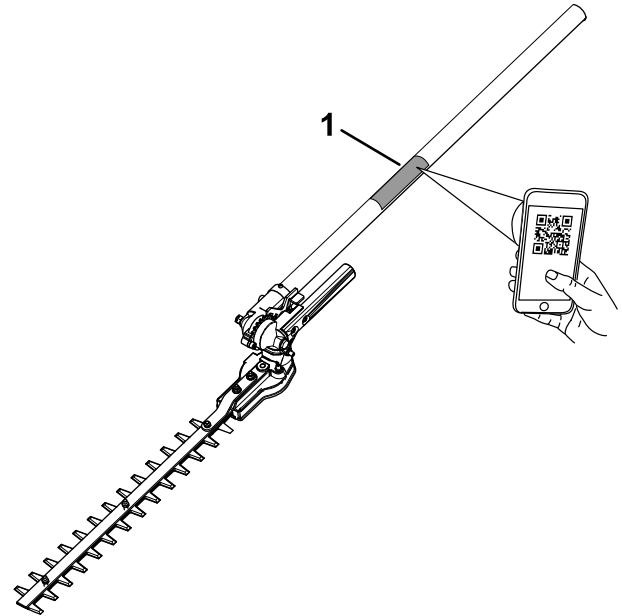
**CALIFORNIA
Proposition 65 Warning**

The power cord on this product contains lead, a chemical known to the State of California to cause birth defects or other reproductive harm. Wash hands after handling.

Use of this product may cause exposure to chemicals known to the State of California to cause cancer, birth defects, or other reproductive harm.

Whenever you need service, genuine the manufacturer parts, or additional information, contact an Authorized Service Dealer or the manufacturer Customer Service and have the model and serial numbers of your product ready. [Figure 1](#) identifies the location of the model and serial numbers on the product. Write the numbers in the space provided.

Important: With your mobile device, you can scan the QR code (if equipped) on the serial number plate to access warranty, parts, and other product information.



g425982

Figure 1

1. Model and serial number location

Model No.	_____
Serial No.	_____

Introduction

This pole hedge trimmer attachment is intended to be used by residential homeowners to maintain bushes and hedges. It is to be used only by adults. It is designed to be used in combination with the Toro Flex-Force Power System 60V MAX Attachment-Capable Power Head Model 51810T. Using this product for purposes other than its intended use could prove dangerous to you and bystanders.

Important: You must install the included quick-release harness for proper support and balance.

Read this information carefully to learn how to operate and maintain your product properly and to avoid injury and product damage. You are responsible for operating the product properly and safely.

Visit www.Toro.com for more information, including safety tips, training materials, accessory information, help finding a dealer, or to register your product.

Safety-Alert Symbol

The safety-alert symbol (Figure 2) shown in this manual and on the machine identifies important safety messages that you must follow to prevent accidents.



g000502

Figure 2
Safety-alert symbol

The safety-alert symbol appears above information that alerts you to unsafe actions or situations and is followed by the word **DANGER**, **WARNING**, or **CAUTION**.

DANGER indicates an imminently hazardous situation which, if not avoided, **will** result in death or serious injury.

WARNING indicates a potentially hazardous situation which, if not avoided, **could** result in death or serious injury.

CAUTION indicates a potentially hazardous situation which, if not avoided, **may** result in minor or moderate injury.

This manual uses two other words to highlight information. **Important** calls attention to special mechanical information and **Note** emphasizes general information worthy of special attention.

The Model 51810T Power Head is compatible with a variety of Toro-approved attachments that, when combined, comply with specific standards; see the following table for more detail.

Combination	Power Head Model	Attachment Model	Standard
String Trimmer	51810T	88716	Conforms to UL STD 82 Certified to CSA STD C22.2 No. 147
Edger	51810T	88710	Conforms to UL STD 82 Certified to CSA STD C22.2 No. 147
Pole Saw	51810T	88714	Conforms to UL STD 82 Certified to CSA STD C22.2 No. 147
Cultivator	51810T	88715	Conforms to UL STD 82 Certified to CSA STD C22.2 No. 147
Hedge Trimmer	51810T	88713	Conforms to UL STD 62841-4-2 Certified to CSA STD C22.2 62841-4-2

Safety

▲ WARNING

Read all safety warnings, instructions, illustrations and specifications provided with this power tool.

Failure to follow all instructions listed below may result in electric shock, fire and/or serious injury.

Save all warnings and instructions for future reference.

The term “power tool” in all the warnings refers to your mains-operated (corded) power tool or battery-operated (cordless) power tool.

IMPORTANT SAFETY INSTRUCTIONS

I. Work area safety

1. **Keep work area clean and well lit.** *Cluttered or dark areas invite accidents.*
2. **Do not operate power tools in explosive atmospheres, such as in the presence of flammable liquids, gases, or dust.** *Power tools create sparks which may ignite the dust or fumes.*
3. **Keep children and bystanders away while operating a power tool.** *Distractions can cause you to lose control.*

II. Electrical safety

1. **Power tool plugs must match the outlet. Never modify the plug in any way. Do not use any adapter plugs with earthed (grounded) power tools.** *Unmodified plugs and matching outlets will reduce risk of electric shock.*
2. **Avoid body contact with earthed or grounded surfaces, such as pipes, radiators, ranges and refrigerators.** *There is an increased risk of electric shock if your body is earthed or grounded.*
3. **Do not expose power tools to rain or wet conditions.** *Water entering a power tool will increase the risk of electric shock.*
4. **Do not abuse the cord. Never use the cord for carrying, pulling or unplugging the power tool. Keep cord away from heat, oil, sharp edges or moving parts.** *Damaged or entangled cords increase the risk of electric shock.*

5. **When operating a power tool outdoors, use an extension cord suitable for outdoor use.** *Use of a cord suitable for outdoor use reduces the risk of electric shock.*
6. **If operating a power tool in a damp location is unavoidable, use a residual current device (RCD) protected supply.** *Use of an RCD reduces the risk of electric shock.*

III. Personal safety

1. **Stay alert, watch what you are doing and use common sense when operating a power tool. Do not use a power tool while you are tired or under the influence of drugs, alcohol, or medication.** *A moment of inattention while operating power tools may result in serious personal injury.*
2. **Use personal protective equipment. Always wear eye protection.** *Protective equipment such as dust mask, non-skid safety shoes, hard hat, or hearing protection used for appropriate conditions reduces personal injuries.*
3. **Prevent unintentional starting. Ensure the switch is in the OFF-position before connecting to power source and/or battery pack, picking up or carrying the tool.** *Carrying power tools with your finger on the switch or energizing power tools that have the switch on invites accidents.*
4. **Remove any adjusting key or wrench before turning the power tool on.** *A wrench or a key left attached to a rotating part of the power tool may result in personal injury.*
5. **Do not overreach. Keep proper footing and balance at all times.** *This enables better control of the power tool in unexpected situations.*
6. **Dress properly. Do not wear loose clothing or jewelry. Keep your hair and clothing away from moving parts.** *Loose clothes, jewelry, or long hair can be caught in moving parts.*
7. **If devices are provided for the connection of dust extraction and collection facilities, ensure these are connected and properly used.** *Use of dust collection can reduce dust-related hazards.*
8. **Do not let familiarity gained from frequent use of tools allow you to become complacent and ignore tool safety principles.** *A careless action can cause severe injury within a fraction of a second.*

IV. Power tool use and care

1. **Do not force the power tool. Use the correct power tool for your application.** *The correct power tool will do the job better and safer at the rate for which it was designed.*
2. **Do not use the power tool if the switch does not turn it on and off.** *Any power tool that cannot be controlled with the switch is dangerous and must be repaired.*
3. **Disconnect the plug from the power source and/or remove the battery pack, if detachable, from the power tool before making any adjustments, changing accessories, or storing power tools.** *Such preventive safety measures reduce the risk of starting the power tool accidentally.*
4. **Store idle power tools out of the reach of children and do not allow persons unfamiliar with the power tool or these instructions to operate the power tool.** *Power tools are dangerous in the hands of untrained users.*
5. **Maintain power tools and accessories.** **Check for misalignment or binding of moving parts, breakage of parts, and any other condition that may affect the power tool's operation. If damaged, have the power tool repaired before use.** *Many accidents are caused by poorly maintained power tools.*
6. **Keep cutting tools sharp and clean.** *Properly maintained cutting tools with sharp cutting edges are less likely to bind and are easier to control.*
7. **Use the power tool, accessories, and tool bits etc. in accordance with these instructions, taking into account the working conditions and the work to be performed.** *Use of the power tool for operations different from those intended could result in a hazardous situation.*
8. **Keep handles and grasping surfaces dry, clean and free from oil and grease.** *Slippery handles and grasping surfaces do not allow for safe handling and control of the tool in unexpected situations.*

V. Battery tool use and care

1. **Recharge only with the charger specified by the manufacturer.** *A charger that is suitable for one type of battery pack may create a risk of fire when used with another battery pack.*
2. **Use power tools only with specifically designated battery packs.** *Use of any other battery packs may create a risk of injury and fire.*
3. **When battery pack is not in use, keep it away from other metal objects, like paper clips, coins, keys, nails, screws or other small metal objects, that can make a connection from one terminal to another.** *Shorting the battery terminals together may cause burns or a fire.*
4. **Under abusive conditions, liquid may be ejected from the battery; avoid contact. If contact accidentally occurs, flush with water. If liquid contacts eyes, additionally seek medical help.** *Liquid ejected from the battery may cause irritation or burns.*
5. **Do not use a battery pack or tool that is damaged or modified.** *Damaged or modified batteries may exhibit unpredictable behavior resulting in fire, explosion or risk of injury.*
6. **Do not expose a battery pack or tool to fire or excessive temperature.** *Exposure to fire or temperature above 130 °C (265 °F) may cause explosion.*
7. **Follow all charging instructions and do not charge the battery pack or tool outside the temperature range specified in the instructions.** *Charging improperly or at temperatures outside the specified range may damage the battery and increase the risk of fire.*

VI. Service

1. **Have your power tool serviced by a qualified repair person using only identical replacement parts.** *This will ensure that the safety of the power tool is maintained.*
2. **Never service damaged battery packs.** *Service of battery packs should only be performed by the manufacturer or authorized service providers.*

VII. Hedge trimmer safety warnings

1. **Keep all parts of the body away from the blade. Do not remove cut material or hold material to be cut when blades are moving.** *Blades continue to move after the switch is turned off. A moment of inattention while operating the hedge trimmer may result in serious personal injury.*
2. **Carry the hedge trimmer by the handle with the blade stopped and taking care not to operate any power switch.** *Proper carrying of the hedge trimmer will decrease the risk of inadvertent starting and resultant personal injury from the blades.*
3. **When transporting or storing the hedge trimmer, always fit the blade cover.** *Proper handling of the hedge trimmer will decrease the risk of personal injury from the blades.*
4. **When clearing jammed material or servicing the unit, make sure all power switches are off and the battery pack is removed or disconnected.** *Unexpected actuation of the hedge trimmer while clearing jammed material or servicing may result in serious personal injury.*
5. **Hold the hedge trimmer by insulated gripping surfaces only, because the blade may contact hidden wiring.** *Blades contacting a "live" wire may make exposed metal parts of the hedge trimmer "live" and could give the operator an electric shock.*
6. **Keep all power cords and cables away from cutting area.** *Power cords or cables may be hidden in hedges or bushes and can be accidentally cut by the blade.*
7. **Do not use the hedge trimmer in bad weather conditions, especially when there is a risk of lightning.** *This decreases the risk of being struck by lightning.*
8. **To reduce the risk of electrocution, never use the extended-reach hedge trimmer near any electrical power lines.** *Contact with or use near power lines may cause serious injury or electric shock resulting in death.*
9. **Always use two hands when operating the extended-reach hedge trimmer.** *Hold the extended-reach hedge trimmer with both hands to avoid loss of control.*
10. **Always use head protection when operating the extended-reach hedge trimmer overhead.** *Falling debris can result in serious personal injury.*

**SAVE THESE
INSTRUCTIONS**

Safety and Instructional Decals



Safety decals and instructions are easily visible to the operator and are located near any area of potential danger. Replace any decal that is damaged or missing.



139-5346

decal139-5346



145-3136

decal145-3136

1. Warning—read the *Operator's Manual*; wear hearing protection; wear eye protection; wear a hard hat, wear substantial slip-resistant shoes, do not expose to rain; Caution—Cutting/dismemberment hazard of hands; entanglement hazard—stay away from moving parts; keep bystanders away during operation; Electrical shock hazard—keep away from power lines.

Setup

Loose Parts

Use the chart below to verify that all parts have been shipped.

Description	Qty.	Use
No parts required	–	Install the harness.

Connecting the Attachment to the Power Head

1. Install the square shaft of the attachment into the square shaft of the power head (A of [Figure 3](#)).
2. Align the locking button on the lower shaft with the slotted hole on the upper shaft and slide the 2 shafts together (B and C of [Figure 3](#)).
3. The locking button clicks into the slotted hole when the shafts are secured (C of [Figure 3](#)).
4. Using the screw-handle, tighten the screw on the shaft connector until it is secure (D of [Figure 3](#)).

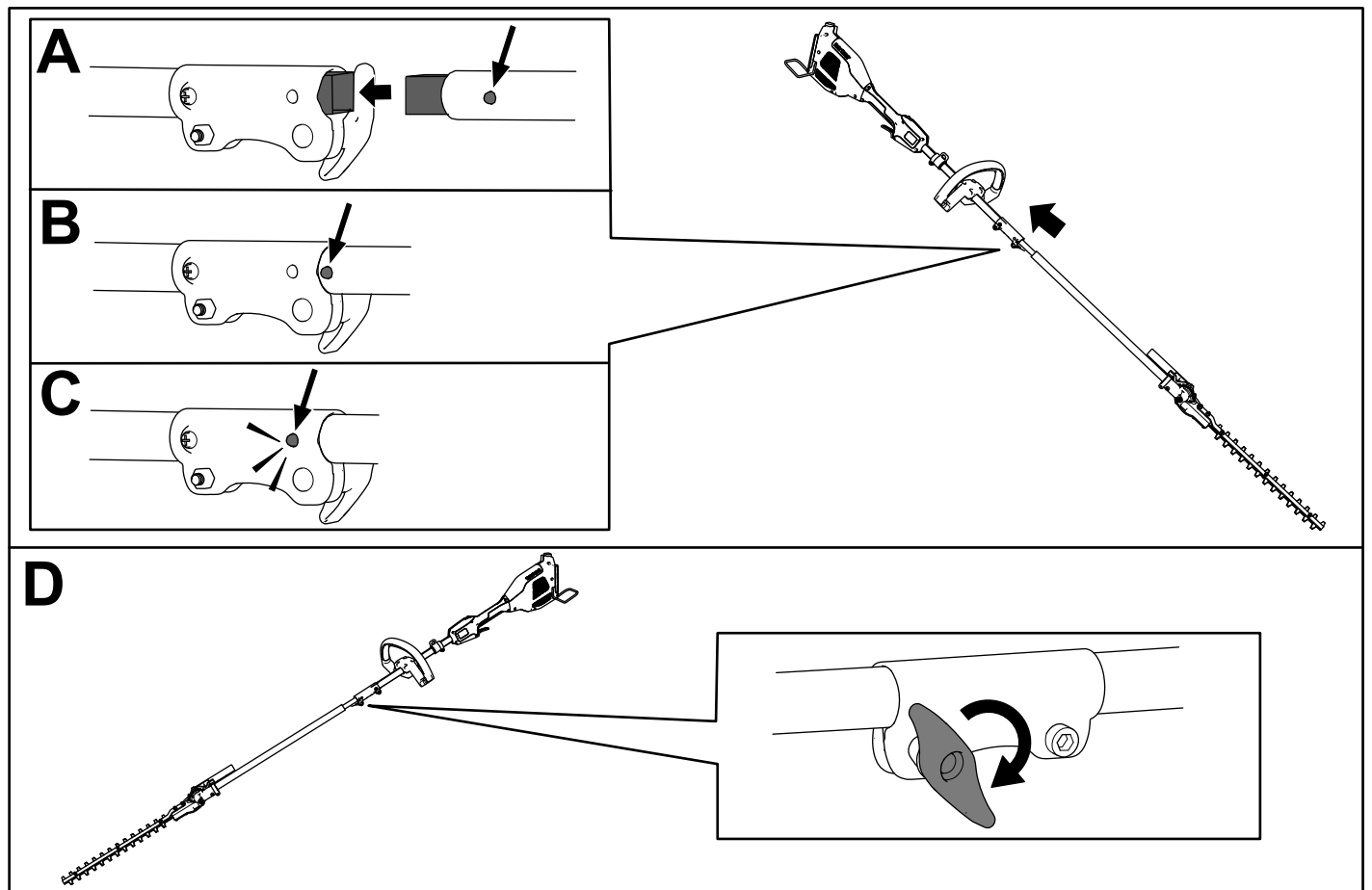
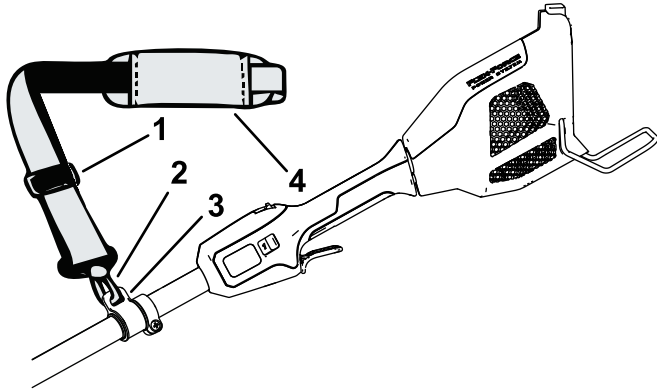


Figure 3

g358758

Installing the Harness

Connect the metal hook on the shoulder harness to the strap collar on the pole saw handle (Figure 4).



g364485

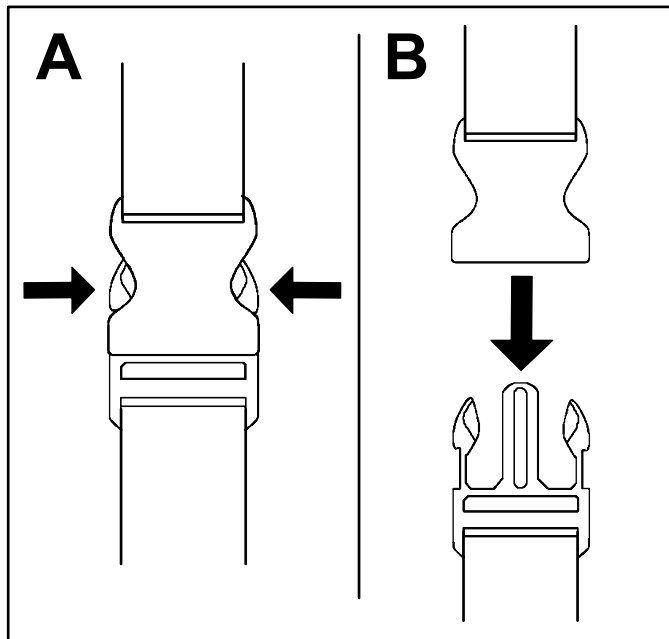
Figure 4

- | | |
|---------------------|-------------------|
| 1. Strap adjuster | 3. Strap collar |
| 2. Metal strap hook | 4. Shoulder strap |

The strap length is adjustable; slide the strap adjuster up to decrease the length of the strap, or down to increase the length of the strap (Figure 4).

If there is ever an emergency and you need to rapidly remove the harness, disconnect the quick-release buckle as follows:

1. Press in on the sides of the buckle (A of Figure 5).
2. Allow the buckle to disconnect (B of Figure 5).



g340477

Figure 5

Product Overview

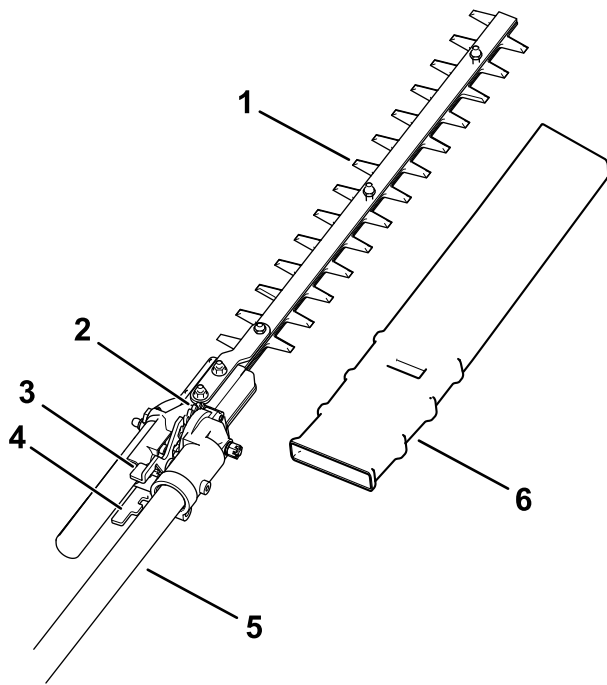


Figure 6

g358713

- | | |
|--------------------|--------------------|
| 1. Blades | 4. Adjusting lever |
| 2. Locking plate | 5. Shaft |
| 3. Release trigger | 6. Blade cover |

Specifications

Model	88713, attaches to 51810T
Cutting Length	406 mm (16 inches)
Rated Voltage	60V DC maximum, 54 VDC nominal usage
Cutting width	23 mm (9/10 inch)
Weight (attached to powerhead without a battery)	4.8 kg (10.6 lbs)

Appropriate Temperature Ranges

Charge/store the battery pack at	5°C (41°F) to 40°C (104°F)*
Use the battery pack at	-30°C (-22°F) to 49°C (120°F)*
Use the machine at	0°C (32°F) to 49°C (120°F)*

*Charging time will increase if you do not charge the battery pack within this range.

Store the machine, battery pack, and battery charger in an enclosed clean, dry area.

Attachments/Accessories

A selection of Toro approved attachments and accessories is available for use with the machine to enhance and expand its capabilities. Contact your Authorized Service Dealer or authorized Toro distributor or go to www.Toro.com for a list of all approved attachments and accessories.

To ensure optimum performance and continued safety certification of the machine, use only genuine Toro replacement parts and accessories. Replacement parts and accessories made by other manufacturers could be dangerous.

Operation

Starting the Attachment

1. Remove the protective cover from the blades (Figure 6).

⚠ WARNING

The hedge trimmer blades can cause cuts or amputation.

Be careful when handling the hedge trimmer with the protective cover removed.

2. Ensure that the vents on the attachment, power head, and battery are clear of any dust and debris.
3. Align the cavity in the battery pack with the tongue on the handle housing (Figure 7).

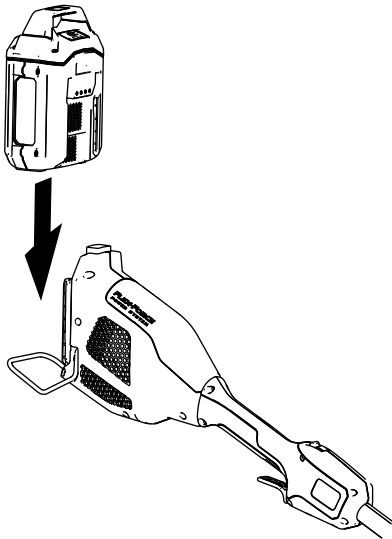


Figure 7

g357444

4. Push the battery pack into the handle until the battery locks into the latch.
5. To start the attachment, press the lockout button, then squeeze the run trigger (Figure 8).

Note: Slide the 2-speed switch to change the speed of the attachment.

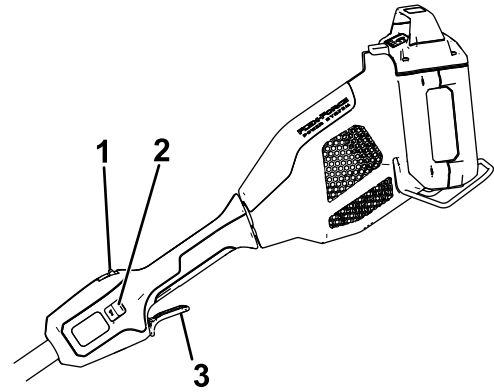


Figure 8

g357456

1. Lockout button
2. 2-speed switch
3. Run trigger

Rotating the Hedge Trimmer Head

The hedge trimmer head can rotate 90° for different cutting situations.

1. Remove the battery pack; refer to [Removing the Battery Pack from the Power Head](#) (page 12).
2. Press the release trigger and the adjusting lever toward each other and rotate the hedge trimmer head.
3. Release the lever and the trigger, and ensure that the hedge trimmer head and adjusting lever lock into place.

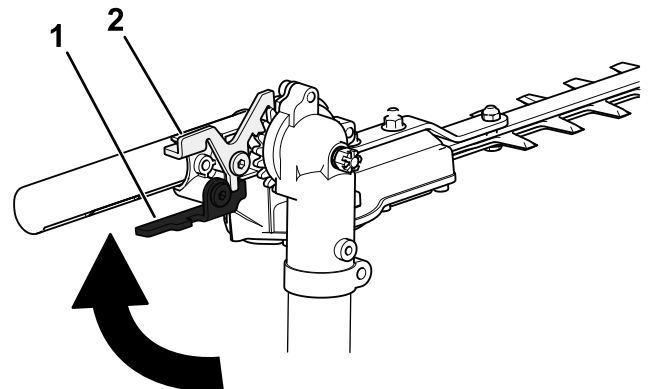


Figure 9

g363855

1. Release trigger
2. Adjusting lever

Shutting Off the Hedge Trimmer

To shut off the hedge trimmer, release the run trigger ([Figure 8](#)). Allow at least 5 seconds for the cutting blade to stop moving.

Whenever you are not using the trimmer or are transporting the trimmer to or from the work area, remove the battery pack and install the blade cover.

Removing the Battery Pack from the Power Head

Press the battery latch on the machine to release the battery pack and slide the battery pack out of the machine ([Figure 10](#)).

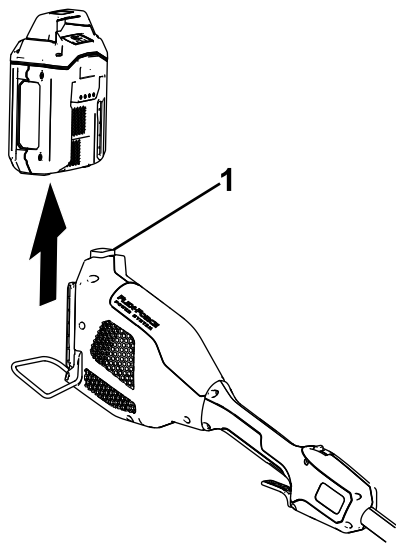


Figure 10

g357457

1. Battery latch

Removing the Attachment from the Power Head

1. Ensure that the battery pack is removed from the power head; refer to [Removing the Battery Pack from the Power Head](#) (page 12).
2. Loosen the screw-handle on the shaft connector ([Figure 3](#)).
3. Press the locking button down while pulling the 2 shafts apart ([Figure 3](#)).

Operating Tips

- Use the power tool for cutting in either direction in a slow, sweeping action from side to side.
- When trimming new growth, use a wide sweeping action so that the stems are fed directly into the cutting blade.
- Use a non-powered hand saw or pruning saw to trim stems that are too large.
- If desired, you can use a string to help cut your hedge level. Decide how high you want the hedge. Stretch a piece of string along the hedge at the desired height. Trim the hedge just above the guide line of string.

Maintenance

After each use of the trimmer, complete the following:

1. Remove the battery pack from the trimmer before maintaining or cleaning.
2. Wipe the trimmer clean with a damp cloth any time there is an accumulation of debris. Do not hose the trimmer down or submerge it in water.

⚠ WARNING

The hedge trimmer blades can cause cuts or amputation.

Be careful when handling the hedge trimmer with the protective cover removed.

3. Inspect the machine, check and tighten all fasteners. If any part is damaged or lost, repair or replace it.

Important: Use only the manufacturer's recommended replacement parts and accessories.

Have the product repaired only by an Authorized Service Dealer.

4. Brush debris away from air intake vents and exhaust on motor housing to prevent the motor from overheating.

Greasing the Hedge Trimmer

Service Interval: Every 10 hours

Grease Type: Lithium-based grease.

1. Place the hedge trimmer on a flat surface and remove the battery pack; refer to [Removing the Battery Pack from the Power Head](#) (page 12).
2. Clean the grease fittings with a rag ([Figure 11](#)).
3. Connect a grease gun to each of the fittings and pump grease into the fittings until grease flows out from the fittings.
4. Wipe up any excess grease.

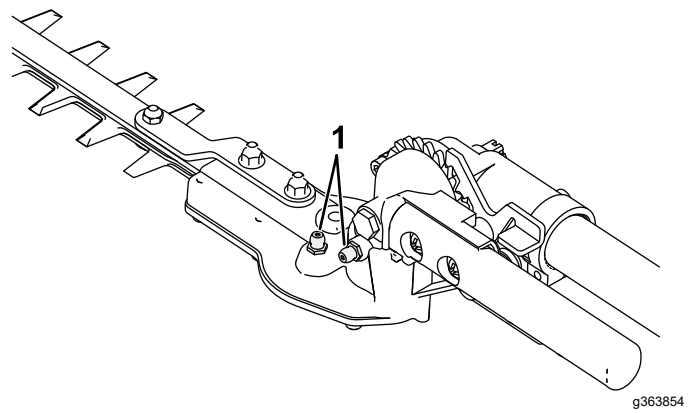


Figure 11

1. Grease fitting locations

Lubricating the Blades

Service Interval: After each use

⚠ WARNING

The hedge trimmer blades can cause cuts or amputation.

Be careful when handling the hedge trimmer with the protective cover removed.

1. Shut off the trimmer, remove the battery pack, and place the trimmer on a flat surface.
2. Clean dirt and debris from the hedge trimmer, using a brush or a damp cloth with a mild detergent.
3. Apply light weight machine oil (such as #10) along the edge of the top blades ([Figure 12](#)).

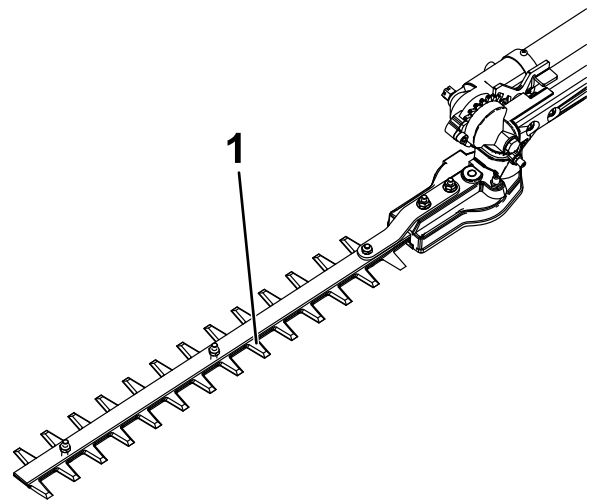


Figure 12

1. Apply machine oil to the top edge of the blades.

Storage

Important: Store the tool, battery pack, and charger only in temperatures that are within the appropriate range; refer to [Specifications \(page 10\)](#).

Important: If you are storing the battery pack for the off-season, charge it until 2 or 3 LED indicators turn green on the battery. Do not store a fully charged or fully depleted battery. When you are ready to use the tool again, charge the battery pack until the left indicator light turns green on the charger or all 4 LED indicators turn green on the battery.

- Disconnect the product from the power supply (i.e., remove the plug from the power supply or the battery pack) and check for damage after use.
- Clean all foreign material from the product.
- Do not store the tool with the battery pack installed.
- When not in use, store the tool, battery pack, and battery charger out of the reach of children.
- Keep the tool, battery pack, and battery charger away from corrosive agents, such as garden chemicals and de-icing salts.
- To reduce the risk of serious personal injury, do not store the battery pack outside or in vehicles.
- Store the tool, battery pack, and battery charger in an enclosed clean, dry area.

Troubleshooting

Perform only the steps described in these instructions. All further inspection, maintenance, and repair work must be performed by an authorized service center or a similarly qualified specialist if you cannot solve the problem yourself.

Problem	Possible Cause	Corrective Action
The tool does not start.	<ol style="list-style-type: none"> 1. The battery is not fully installed in the tool. 2. The battery pack is not charged. 3. The battery pack is damaged. 4. There is another electrical problem with the tool. 	<ol style="list-style-type: none"> 1. Remove and then replace the battery into the tool, making sure that it is fully installed and latched. 2. Remove the battery pack from the tool and charge it. 3. Replace the battery pack. 4. Contact an Authorized Service Dealer.
The tool does not reach full power.	<ol style="list-style-type: none"> 1. The battery pack charge capacity is too low. 2. The air vents are blocked. 	<ol style="list-style-type: none"> 1. Remove the battery pack from the tool and fully charge the battery pack. 2. Clean the air vents.
The tool is producing excessive vibration or noise.	<ol style="list-style-type: none"> 1. The blades are dull or damaged. 	<ol style="list-style-type: none"> 1. Contact an Authorized Service Dealer.
The battery pack loses charge quickly.	<ol style="list-style-type: none"> 1. The battery pack is over or under the appropriate temperature range. 2. The machine is overloaded 	<ol style="list-style-type: none"> 1. Move the battery pack to a place where it is dry and the temperature is between 5°C (41°F) and 40°C (104°F). 2. Trim at a slower pace.

California Proposition 65 Warning Information

What is this warning?

You may see a product for sale that has a warning label like the following:



WARNING: Cancer and Reproductive Harm—www.p65Warnings.ca.gov.

What is Prop 65?

Prop 65 applies to any company operating in California, selling products in California, or manufacturing products that may be sold in or brought into California. It mandates that the Governor of California maintain and publish a list of chemicals known to cause cancer, birth defects, and/or other reproductive harm. The list, which is updated annually, includes hundreds of chemicals found in many everyday items. The purpose of Prop 65 is to inform the public about exposure to these chemicals.

Prop 65 does not ban the sale of products containing these chemicals but instead requires warnings on any product, product packaging, or literature with the product. Moreover, a Prop 65 warning does not mean that a product is in violation of any product safety standards or requirements. In fact, the California government has clarified that a Prop 65 warning "is not the same as a regulatory decision that a product is 'safe' or 'unsafe.'" Many of these chemicals have been used in everyday products for years without documented harm. For more information, go to <https://oag.ca.gov/prop65/faqs-view-all>.

A Prop 65 warning means that a company has either (1) evaluated the exposure and has concluded that it exceeds the "no significant risk level"; or (2) has chosen to provide a warning based on its understanding about the presence of a listed chemical without attempting to evaluate the exposure.

Does this law apply everywhere?

Prop 65 warnings are required under California law only. These warnings are seen throughout California in a wide range of settings, including but not limited to restaurants, grocery stores, hotels, schools, and hospitals, and on a wide variety of products. Additionally, some online and mail order retailers provide Prop 65 warnings on their websites or in catalogs.

How do the California warnings compare to federal limits?

Prop 65 standards are often more stringent than federal and international standards. There are various substances that require a Prop 65 warning at levels that are far lower than federal action limits. For example, the Prop 65 standard for warnings for lead is 0.5 µg/day, which is well below the federal and international standards.

Why don't all similar products carry the warning?

- Products sold in California require Prop 65 labelling while similar products sold elsewhere do not.
- A company involved in a Prop 65 lawsuit reaching a settlement may be required to use Prop 65 warnings for its products, but other companies making similar products may have no such requirement.
- The enforcement of Prop 65 is inconsistent.
- Companies may elect not to provide warnings because they conclude that they are not required to do so under Prop 65; a lack of warnings for a product does not mean that the product is free of listed chemicals at similar levels.

Why does the manufacturer include this warning?

the manufacturer has chosen to provide consumers with as much information as possible so that they can make informed decisions about the products they buy and use. the manufacturer provides warnings in certain cases based on its knowledge of the presence of one or more listed chemicals without evaluating the level of exposure, as not all the listed chemicals provide exposure limit requirements. While the exposure from the manufacturer products may be negligible or well within the "no significant risk" range, out of an abundance of caution, the manufacturer has elected to provide the Prop 65 warnings. Moreover, if the manufacturer does not provide these warnings, it could be sued by the State of California or by private parties seeking to enforce Prop 65 and subject to substantial penalties.



Count on it.

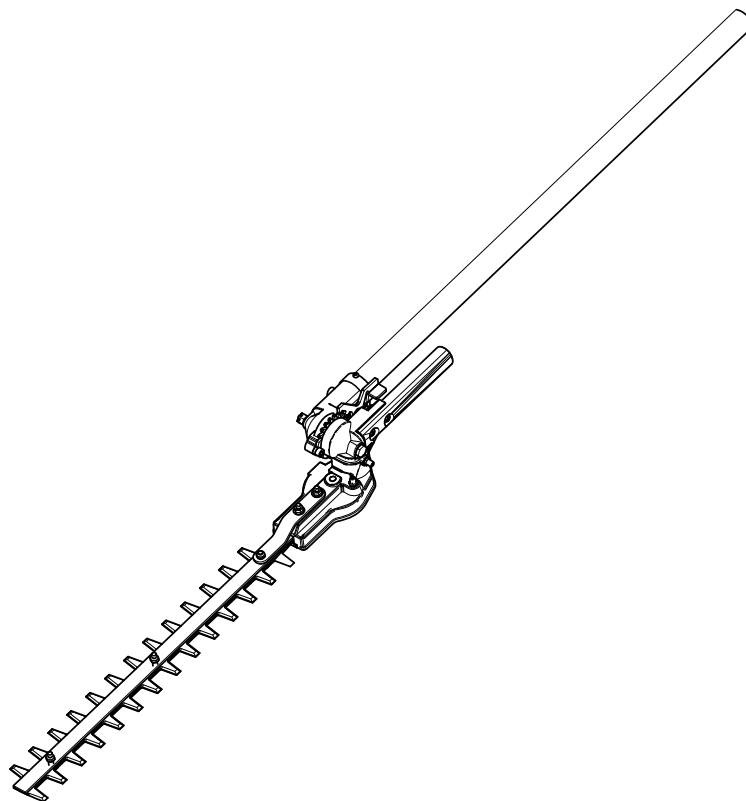
Form No. 3460-940 Rev A

Manual del operador

Accesorio de cortasetos de pértiga

Accesorio Flex-Force Power System™ 60V
MAX

Nº de modelo 88713—Nº de serie 323000001 y superiores





Si necesita ayuda, consulte los vídeos instruccionales en www.Toro.com/support o póngase en contacto con su Servicio Técnico Autorizado antes de devolver este producto.

▲ ADVERTENCIA

CALIFORNIA

Advertencia de la Propuesta 65

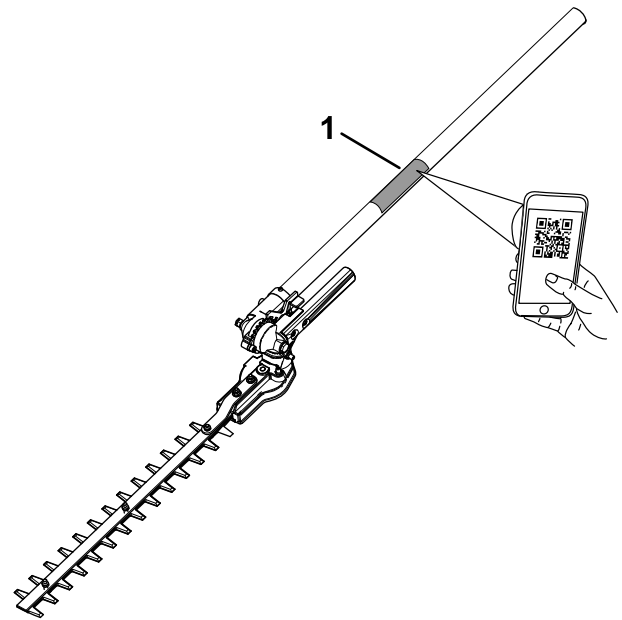
El cable eléctrico de este producto contiene plomo, que el Estado de California sabe que causa defectos congénitos u otros peligros para la reproducción. Lávese las manos después de manejar el material.

El uso de este producto puede provocar la exposición a sustancias químicas que el Estado de California considera causantes de cáncer, defectos congénitos u otros trastornos del sistema reproductor.

Visite www.Toro.com para obtener más información, incluidos consejos de seguridad, materiales de formación, información sobre accesorios, ayuda para encontrar a un distribuidor o para registrar su producto.

Si necesita asistencia técnica, piezas genuinas del fabricante o información adicional, póngase en contacto con un Servicio Técnico Autorizado o con el Servicio de atención al cliente del fabricante y tenga a mano el número de serie y de modelo del producto. **Figura 1** identifica la ubicación de los números de modelo y serie en el producto. Escriba los números en el espacio provisto.

Importante: Con su dispositivo móvil, puede escanear el código QR (en su caso) de la place del número de serie para acceder a información sobre la garantía, las piezas, y otra información sobre el producto.



g425982

Figura 1

1. Ubicación de los números de modelo y de serie

Nº de modelo	_____
Nº de serie	_____

Introducción

Este accesorio de cortasetos de pértiga está indicado para el mantenimiento de arbustos y setos por parte de usuarios domésticos. Debe ser utilizado únicamente por adultos. Está diseñada para ser usada en combinación con la unidad de potencia de cabezal intercambiable Flex-Force Power System 60 V MAX de Toro, Modelo 51810T. El uso de este producto para otros propósitos que los previstos podría ser peligroso para usted y para otras personas.

Importante: Debe instalar el arnés de liberación rápida incluida para asegurar un soporte y un equilibrio correctos.

Lea este manual detenidamente para aprender a utilizar y mantener correctamente su producto, y para evitar lesiones y daños al producto. Usted es responsable de utilizar el producto de forma correcta y segura.

Símbolo de alerta de seguridad

El símbolo de alerta de seguridad (Figura 2) que aparece en este manual y en la máquina identifica mensajes de seguridad importantes que usted debe observar para evitar accidentes.



Figura 2

Símbolo de alerta de seguridad

g000502

El símbolo de alerta de seguridad aparece encima de información que le alerta ante acciones o situaciones inseguras, y va seguido de la palabra **PELIGRO**, **ADVERTENCIA**, o **CUIDADO**.

PELIGRO: Indica una situación peligrosa inminente, que si no se evita, **causará** la muerte o lesiones graves.

ADVERTENCIA indica una situación potencialmente peligrosa que si no se evita, **podría** causar la muerte o lesiones graves.

CUIDADO: Indica una situación potencialmente peligrosa que si no se evita, **podría** causar lesiones menores o moderadas.

Este manual utiliza dos palabras más para resaltar información. **Importante** llama la atención sobre información mecánica especial, y **Nota** resalta información general que merece una atención especial.

La unidad de potencia Modelo 51810T es compatible con una variedad de accesorios homologados por Toro que, en combinación, cumplen unas normas específicas; consulte la tabla siguiente para obtener más detalles.

Combinación	Modelo de la unidad de potencia	Modelo del accesorio	Norma
Desbrozadora de hilo	51810T	88716	Cumple UL STD 82 Certificado según CSA STD C22.2 N.º 147
Cortabordes	51810T	88710	Cumple UL STD 82 Certificado según CSA STD C22.2 N.º 147
Sierra de pértiga	51810T	88714	Cumple UL STD 82 Certificado según CSA STD C22.2 N.º 147
Motoazada	51810T	88715	Cumple UL STD 82 Certificado según CSA STD C22.2 N.º 147
Cortasetos	51810T	88713	Cumple UL STD 62841-4-2 Certificado según CSA STD C22.2 62841-4-2

Seguridad

▲ ADVERTENCIA

Lea todas las instrucciones, ilustraciones, especificaciones y advertencias de seguridad proporcionadas con esta herramienta eléctrica.

El hacer caso omiso de todas las instrucciones enumeradas a continuación puede dar lugar a descargas eléctricas, incendios y/o lesiones graves.

Guarde todas las advertencias e instrucciones para su referencia futura.

El término “herramienta eléctrica” que aparece en las advertencias se refiere siempre a una herramienta accionada por el suministro eléctrico de la red (con cable) o una herramienta eléctrica accionada por batería (sin cable).

INSTRUCCIONES DE SEGURIDAD IMPORTANTES

I. Seguridad de la zona de trabajo

1. **Mantenga la zona de trabajo limpia y bien iluminada.** *Las zonas desordenadas u oscuras son una invitación al accidente.*
2. **No utilice herramientas eléctricas en atmósferas explosivas, como por ejemplo en presencia de líquidos inflamables, gases o polvo.** *Las herramientas eléctricas crean chispas que pueden inflamar el polvo o los vapores.*
3. **Mantenga alejados a niños y otras personas mientras utiliza una herramienta eléctrica.** *Las distracciones pueden hacer que pierda el control.*

II. Seguridad eléctrica

1. **La clavija de la herramienta eléctrica debe ser del tipo correcto para el enchufe. Nunca modifique el enchufe en modo alguno. No utilice ningún tipo de adaptadores de enchufe con herramientas eléctricas con toma de tierra.** *El uso de clavijas sin modificar y enchufes apropiados reducirá el riesgo de descarga eléctrica.*
2. **Evite tocar superficies conectadas a tierra, tales como tuberías, radiadores, cocinas y refrigeradores.** *Hay un mayor riesgo de descarga eléctrica si su cuerpo hace tierra.*

3. **No exponga las herramientas eléctricas a la lluvia o a condiciones húmedas.** *Si entra agua en una herramienta eléctrica, el riesgo de descarga eléctrica aumenta.*
4. **No maltrate el cable. No utilice el cable nunca para transportar, arrastrar o desenchufar la herramienta eléctrica. Mantenga el cable alejado del calor, del aceite, de bordes cortantes y de piezas móviles.** *Los cables dañados o enredados aumentan el riesgo de descarga eléctrica.*
5. **Si utiliza una herramienta eléctrica en el exterior, utilice un cable alargador adecuado para el uso en exteriores.** *El uso de un cable apropiado para el uso en exteriores reduce el riesgo de descarga eléctrica.*
6. **Si no es posible evitar el uso de una herramienta eléctrica en un lugar húmedo, utilice un suministro eléctrico protegido por un dispositivo de corriente residual (RCD).** *El uso de un RCD reduce el riesgo de descarga eléctrica.*

III. Seguridad personal

1. **Manténgase alerta, esté atento a lo que está haciendo y utilice el sentido común mientras utiliza una herramienta eléctrica. No utilice una herramienta eléctrica si está cansado o bajo la influencia de drogas, alcohol o medicamentos.** *Una breve falta de atención mientras utiliza una herramienta eléctrica podría provocar lesiones personales graves.*
2. **Utilice equipos de protección personal. Lleve siempre protección ocular.** *El uso de equipos de protección personal como mascarillas, calzado de seguridad antideslizante, casco y protección auditiva en condiciones apropiadas reduce el riesgo de lesiones personales.*
3. **Evite el encendido accidental. Asegúrese de que el interruptor está en la posición de APAGADO antes de conectar la herramienta a la toma de corriente y/o a la batería, y antes de levantar o transportar la herramienta.** *Transportar las herramientas eléctricas con el dedo sobre el interruptor o enchufar herramientas eléctricas con el interruptor en la posición de encendido es una invitación al accidente.*
4. **Retire cualquier llave de ajuste antes de encender la herramienta eléctrica.** *Una llave olvidada en un componente giratorio de una herramienta eléctrica puede dar lugar a lesiones personales.*
5. **No intente alcanzar zonas demasiado alejadas. Pise firme y mantenga el equilibrio**

en todo momento. *Esto permite un mayor control de la herramienta en situaciones imprevistas.*

6. **Utilice la ropa adecuada. No lleve ropas o joyas sueltas. Mantenga el pelo y la ropa alejados de las piezas móviles.** *La ropa suelta, las joyas y el pelo largo pueden quedar atrapados en piezas móviles.*
7. **Si existen dispositivos para la conexión de sistemas de recogida y extracción de polvo, asegúrese de conectarlos y usarlos correctamente.** *El uso de dispositivos de recolección de polvo puede reducir los riesgos asociados con el polvo.*
8. **No deje que la familiaridad adquirida con el uso frecuente de las herramientas le haga confiarse demasiado y pasar por alto los principios de seguridad de las herramientas.** *Una acción descuidada puede causar lesiones graves en una fracción de un segundo.*

IV. Uso y cuidado de las herramientas eléctricas

1. **No fuerce la herramienta eléctrica. Utilice la herramienta eléctrica adecuada para el trabajo a realizar.** *La herramienta eléctrica correcta realizará el trabajo mejor y con mayor seguridad a la velocidad para la que fue diseñada.*
2. **No utilice la herramienta eléctrica si el interruptor no la enciende y apaga.** *Cualquier herramienta eléctrica que no pueda ser controlada con el interruptor es peligrosa y debe ser reparada.*
3. **Desconecte la clavija del suministro eléctrico y/o extraiga la batería, si es extraíble, de la herramienta eléctrica antes de realizar cualquier ajuste, cambiar de accesorio o almacenar la herramienta.** *Estas medidas de seguridad preventivas reducen el riesgo de un arranque accidental de la herramienta eléctrica.*
4. **Si no la está usando, guarde la herramienta eléctrica fuera del alcance de los niños, y no permita que la utilicen personas no familiarizadas con la herramienta eléctrica o con estas instrucciones de uso.** *Las herramientas eléctricas son peligrosas en manos de usuarios inexpertos.*
5. **Mantenimiento de las herramientas eléctricas y los accesorios.** *Compruebe que las piezas móviles están correctamente alineadas y que se mueven libremente sin agarrotarse, que no hay piezas rotas, y que no hay otras circunstancias que podrían afectar al uso de la herramienta eléctrica. Si existen daños, haga reparar la herramienta eléctrica antes*

de usarla. *Muchos accidentes se deben a un mantenimiento deficiente de las herramientas eléctricas.*

6. **Mantenga las herramientas de corte afiladas y limpias.** *Una herramienta de corte bien mantenida con filos bien afilados es más fácil de controlar y hay menos probabilidades de que se agarrote.*
7. **Utilice la herramienta eléctrica, los accesorios, las brocas, etc., según lo indicado en estas instrucciones, teniendo en cuenta las condiciones de trabajo y el trabajo a realizar.** *El uso de la herramienta eléctrica para operaciones diferentes de las previstas podría dar lugar a una situación de peligro.*
8. **Mantenga las asas, empuñaduras y otras superficies de agarre secas, limpias y libres de aceite y grasa.** *Una asa o superficie de agarre resbaladiza no permite manejar y controlar la herramienta con seguridad en situaciones imprevistas.*

V. Uso y cuidado de las herramientas a batería

1. **Recargar únicamente con el cargador especificado por el fabricante.** *Un cargador diseñado para un tipo de batería puede crear un riesgo de incendio si se utiliza con otra batería.*
2. **Utilice las herramientas eléctricas únicamente con las baterías específicas indicadas.** *El uso de otra batería puede crear un riesgo de incendio y lesiones.*
3. **Cuando la batería no está en uso, manténgala alejada de otros objetos metálicos, como por ejemplo clips, monedas, llaves, puntillas u otros objetos metálicos pequeños, que podrían hacer una conexión entre un terminal y otro.** *Un cortocircuito entre los terminales de la batería puede causar quemaduras o un incendio.*
4. **En condiciones de uso incorrecto, puede haber una fuga de líquido de la batería; evite el contacto con dicho líquido. En caso de un contacto accidental, lavar con abundante agua. Si el líquido entra en contacto con los ojos, busque también ayuda médica.** *El líquido expulsado de la batería puede causar irritación o quemaduras.*
5. **No utilice una batería o una herramienta dañada o modificada.** *Las baterías dañadas o modificadas podrían mostrar un comportamiento impredecible con resultado de incendio, explosión o riesgo de lesiones.*
6. **No exponga una batería o un cargador al fuego o a temperaturas excesivas.** *La exposición al fuego o a temperaturas superiores*

a los 130 °C (265 °F) puede causar una explosión.

7. **Siga todas las instrucciones de carga y no cargue la batería o la herramienta si la temperatura está fuera del intervalo especificado en las instrucciones.** *El cargar de forma incorrecta o a temperaturas fuera del intervalo especificado puede dañar la batería y aumentar el riesgo de incendio.*

VI. Mantenimiento

1. **El mantenimiento de su herramienta eléctrica debe ser realizado por un técnico de reparaciones debidamente cualificado, utilizando únicamente piezas de repuesto idénticas.** *Sólo de esta manera se garantiza el mantenimiento de la seguridad de la herramienta eléctrica.*
2. **No realice ningún tipo de mantenimiento en una batería dañada.** *El mantenimiento de las baterías sólo debe ser realizado por el fabricante o por un servicio técnico autorizado.*

VII. Advertencias de seguridad para cortasetos

1. **Mantenga todo el cuerpo alejado de la cuchilla. No retire el material cortado ni sujete el material a cortar mientras las cuchillas están en movimiento.** *Las cuchillas siguen moviéndose después de apagarse el interruptor. Una breve falta de atención mientras utiliza una herramienta eléctrica podría provocar lesiones personales graves.*
2. **Transporte el cortasetos por la empuñadura con la cuchilla parada y tenga cuidado de no accionar ningún interruptor de encendido.** *Si transporta correctamente el cortasetos, se reducirá el riesgo de un arranque inadvertido y el riesgo de lesiones personales causadas por las cuchillas.*
3. **Antes de transportar o almacenar el cortasetos, coloque siempre la funda de la cuchilla.** *Un manejo correcto del cortasetos reduce la posibilidad de sufrir lesiones personales causadas por las cuchillas.*
4. **Antes de eliminar material atascado o realizar tareas de mantenimiento en la unidad, asegúrese de que todos los interruptores de encendido están desconectados y que la batería ha sido retirada o desconectada.** *La activación inesperada del cortasetos durante la eliminación de material atascado o durante el mantenimiento puede causar lesiones personales graves.*
5. **Sujete el cortasetos únicamente por las superficies de agarre aisladas, porque**

la cuchilla podría entrar en contacto con cables ocultos. *Si las cuchillas entran en contacto con un cable con corriente, las partes metálicas expuestas del cortasetos también tendrán corriente y el operador podría recibir una descarga eléctrica.*

6. **Mantenga todos los cables eléctricos alejados de la zona de corte.** *Los cables eléctricos puede quedar ocultos entre los setos o arbustos y ser cortados accidentalmente por la cuchilla.*
7. **No utilice el cortasetos en condiciones meteorológicas adversas, especialmente si hay riesgo de rayos.** *Esto reduce el riesgo de ser alcanzado por un rayo.*
8. **Para reducir el riesgo de electrocución, no utilice nunca el cortasetos de pértiga cerca de ninguna línea eléctrica.** *El contacto con o el uso cerca de las líneas eléctricas puede causar lesiones graves o descargas eléctricas que resulten en la muerte.*
9. **Utilice siempre las dos manos para manejar el cortasetos de pértiga.** *Sujete el cortasetos de pértiga con ambas manos para evitar perder el control.*
10. **Utilice siempre protección para la cabeza mientras utiliza el cortasetos de alcance adicional por encima de la cabeza.** *La caída de ramas o restos puede causar lesiones personales graves.*

GUARDE ESTAS INSTRUCCIONES

Pegatinas de seguridad e instrucciones



Las pegatinas de seguridad e instrucciones están a la vista del operador y están ubicadas cerca de cualquier zona de peligro potencial. Sustituya cualquier pegatina que esté dañada o que falte.



139-5346

decal139-5346



decal145-3136

145-3136

1. Advertencia – lea el *Manual del operador*; lleve protección auditiva; lleve protección ocular; lleve casco; lleve calzado resistente y antideslizante; no exponer a la lluvia; Cuidado – peligro de corte/desmembramiento de las manos; Peligro de enredamiento – no se acerque a las piezas en movimiento; mantenga alejadas a otras personas durante el uso; Peligro de descarga eléctrica – no se acerque a las líneas eléctricas.

Montaje

Piezas sueltas

Utilice la tabla siguiente para verificar que no falta ninguna pieza.

Descripción	Cant.	Uso
No se necesitan piezas	–	Instale el arnés.

Conexión del accesorio a la unidad de potencia

1. Instale el tubo cuadrado del accesorio en el tubo cuadrado de la unidad de potencia (Figura 3, A).
2. Alinee el botón de bloqueo de la barra inferior con el orificio ranurado de la barra superior, y junte las dos barras (Figura 3, B y C).
3. El botón de bloqueo encaja en el orificio ranurado al juntarse las barras (Figura 3, C).
4. Usando la maneta, apriete el tornillo del conector de la barra hasta que quede firme (Figura 3, D).

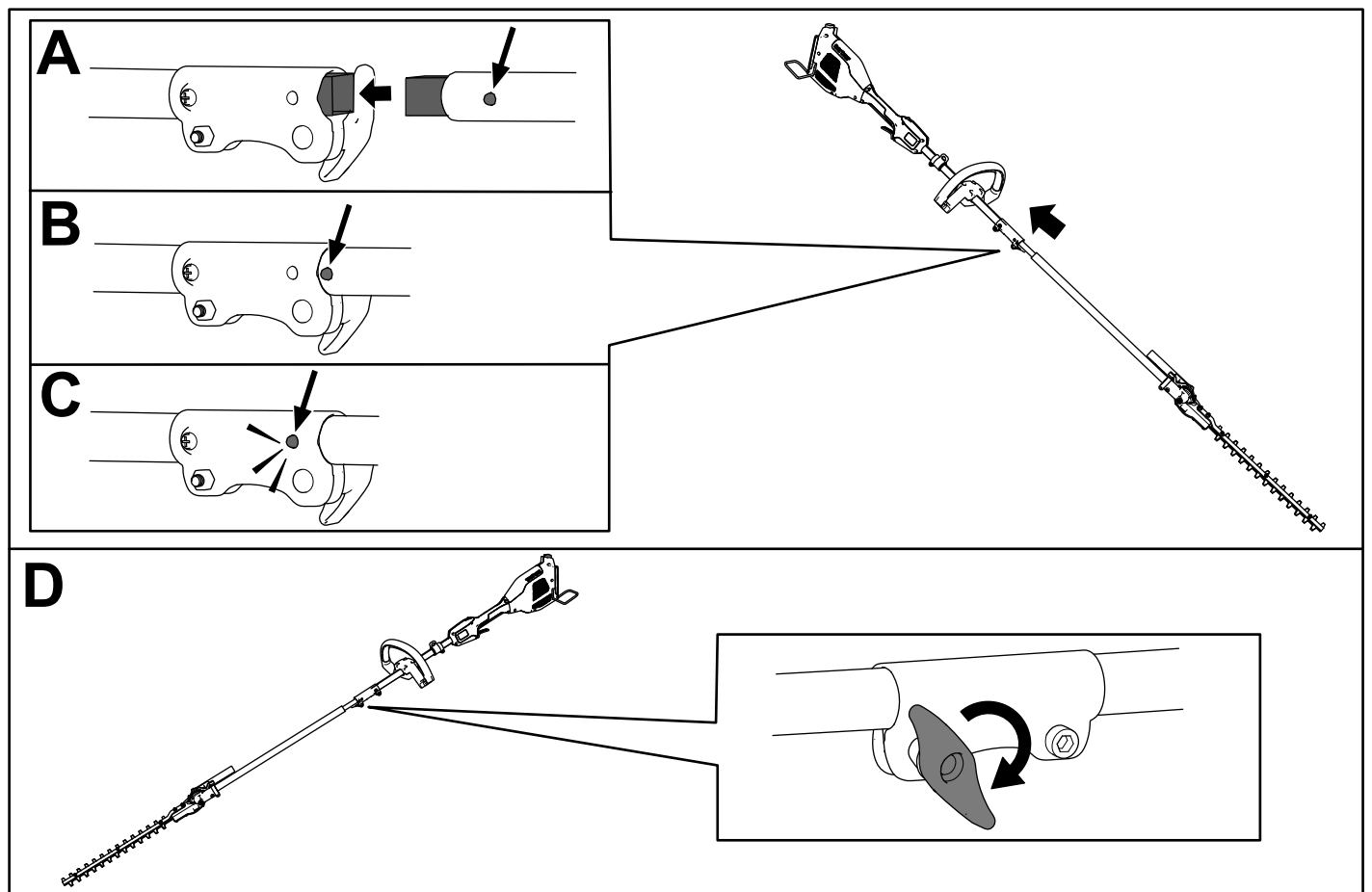
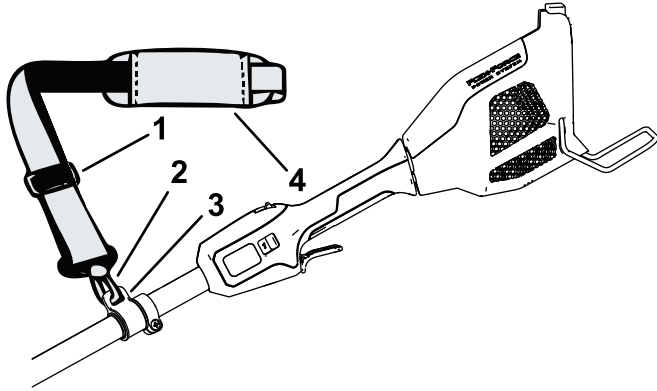


Figura 3

g358758

Instalación del arnés

Conecte el gancho metálico del arnés de hombro al collarín de la barra de la sierra de pértiga (Figura 4).



g364485

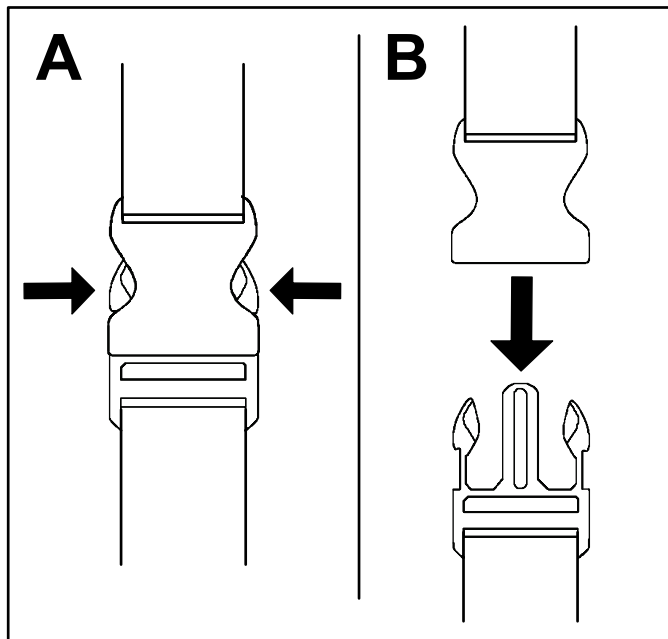
Figura 4

- | | |
|------------------------------------|--------------------------|
| 1. Hebillas de ajuste de la correa | 3. Collarín de la correa |
| 2. Gancho metálico de la correa | 4. Correa de hombro |

La longitud de la correa es ajustable; deslice la hebilla de ajuste hacia arriba para reducir la longitud de la correa, o hacia abajo para aumentar la longitud de la correa (Figura 4).

Si necesita quitarse rápidamente el arnés en caso de emergencia, desconecte la hebilla de liberación rápida como se indica a continuación:

1. Presione hacia dentro los lados de la hebilla (Figura 5, A).
2. Deje que se desconecte la hebilla (Figura 5, B).



g340477

Figura 5

El producto

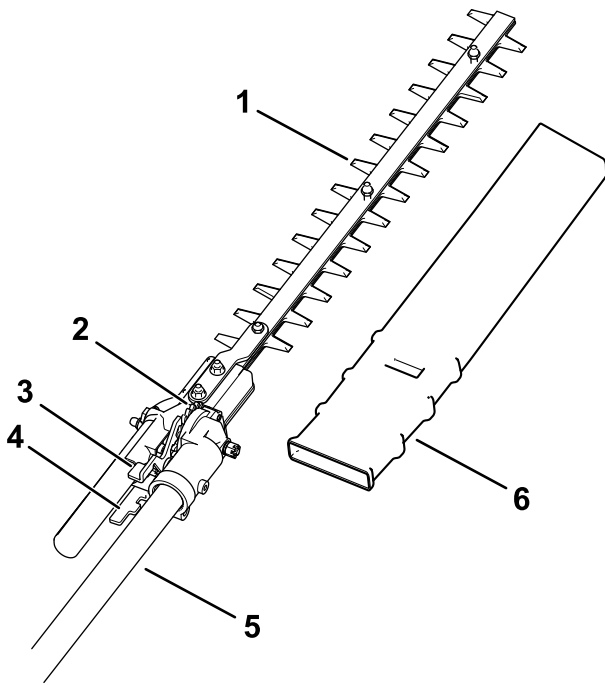


Figura 6

g358713

- | | |
|--------------------------|-------------------------|
| 1. Cuchillas | 4. Palanca de ajuste |
| 2. Chapa de bloqueo | 5. Barra |
| 3. Gatillo de liberación | 6. Funda de la cuchilla |

Especificaciones

Modelo	88713, se acopla al 51810T
Longitud de corte	406 mm (16")
Voltaje nominal	Máximo 60 VCC , uso nominal 54 VCC
Anchura de corte	23 mm (9/10")
Peso (acoplado a la unidad de potencia sin batería)	4.8 kg (10.6 libras)

Intervalos de temperatura adecuados

Cargue/guarde la batería a	5 °C a 40 °C (41 °F a 104 °F)*
Utilice la batería a	Entre -30 °C y 49 °C (-22 °F y 120 °F)*
Utilice la máquina a	0 °C a 49 °C (32 °F a 120 °F)*

*El tiempo de carga será mayor si la temperatura no está dentro de este intervalo durante la carga.

Guarde la máquina, la batería y el cargador en un lugar cerrado, limpio y seco.

Accesorios

Está disponible una selección de aperos y accesorios homologados por Toro que se pueden utilizar con la máquina a fin de potenciar y aumentar sus prestaciones. Póngase en contacto con su Servicio Técnico Autorizado o con su distribuidor autorizado Toro, o visite www.Toro.com para obtener una lista de todos los aperos y accesorios homologados.

Para asegurar un rendimiento óptimo y mantener la certificación de seguridad de la máquina, utilice solamente piezas y accesorios genuinos Toro. Las piezas de repuesto y los accesorios de otros fabricantes podrían ser peligrosos.

Operación

Arranque del accesorio

1. Retire la funda protectora de las cuchillas (Figura 6).

⚠ ADVERTENCIA

Las cuchillas del cortasetos pueden provocar cortes o amputaciones.

Tenga cuidado al manejar el cortasetos con la funda protectora retirada.

2. Compruebe que los orificios de ventilación del accesorio, de la unidad de potencia y de la batería están libres de polvo y residuos.
3. Alinee el hueco de la batería con la lengüeta del alojamiento de la empuñadura (Figura 7).

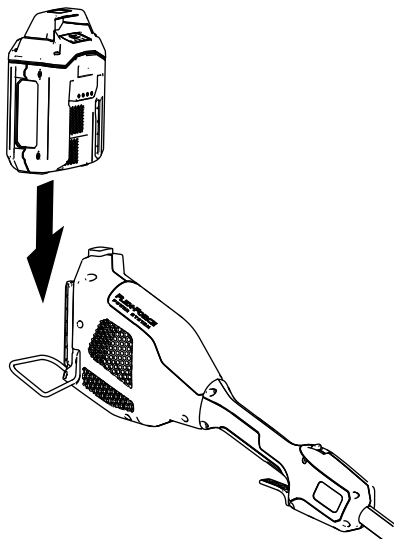


Figura 7

g357444

4. Introduzca la batería en la empuñadura hasta la batería encaje en el cierre.
5. Para arrancar el accesorio, presione el botón de bloqueo y apriete el gatillo de accionamiento (Figura 8).

Nota: Mueva el interruptor de 2 velocidades para cambiar la velocidad del accesorio.

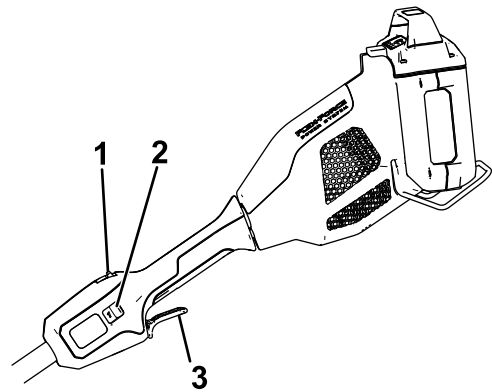


Figura 8

g357456

1. Botón de bloqueo
2. Interruptor de 2 velocidades
3. Gatillo de accionamiento

Cómo rotar el cabezal del cortasetos

El cabezal del cortasetos puede girar 90° para adaptarse a diferentes situaciones de corte.

1. Retire la batería; consulte [Retirada de la batería de la unidad de potencia](#) (página 12).
2. Presione el gatillo de liberación y la palanca de ajuste para juntarlos, y gire el cabezal del cortasetos.
3. Suelte la palanca y el gatillo y asegúrese de que el cabezal del cortasetos y la palanca de ajuste se bloquean en su sitio.

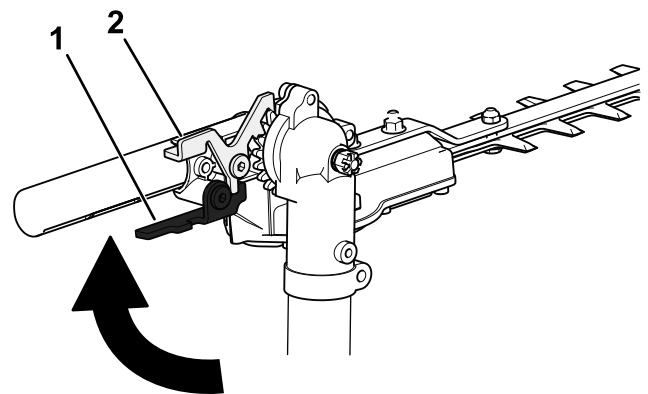


Figura 9

g363855

1. Gatillo de liberación
2. Palanca de ajuste

Apagado del cortasetos

Para apagar el cortasetos, suelte el gatillo de accionamiento ([Figura 8](#)). Espere al menos 5 segundos para que la cuchilla se detenga.

Cuando no esté utilizando la desbrozadora o la esté transportando hacia o desde el área de trabajo, retire la batería e instale la funda de la espada.

Retirada de la batería de la unidad de potencia

Presione el cierre de la batería en la máquina para liberar la batería, y retire la batería de la máquina ([Figura 10](#)).

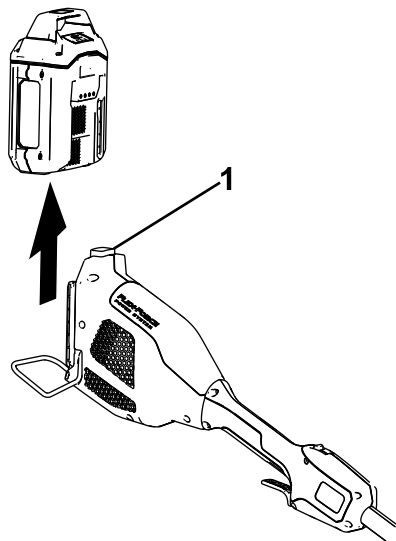


Figura 10

g357457

1. Cierre de la batería

Retirada del accesorio de la unidad de potencia

1. Asegúrese de que la batería ha sido retirada de la unidad de potencia; consulte [Retirada de la batería de la unidad de potencia](#) (página 12).
2. Afloje la maneta del conector de la barra ([Figura 3](#)).
3. Presione el botón de bloqueo hacia abajo y separe las dos barras ([Figura 3](#)).

Consejos de operación

- Utilice la herramienta eléctrica para cortar en cualquier sentido, con movimientos lentos de barrido de un lado a otro.
- Para cortar el crecimiento nuevo, utilice una acción amplia de barrido, de manera que los tallos se dirijan directamente hacia la cuchilla.
- Utilice un serrucho o una sierra de podar manual sin motor para recortar los tallos grandes.
- Si lo desea, puede utilizar una cuerda para facilitar el corte horizontal del seto. Decida a qué altura desea dejar el seto. Extienda una cuerda a lo largo del seto a la altura deseada. Corte el seto justo por encima de la línea guía de cuerda.

Mantenimiento

Después de cada uso del cortasetos, complete los procedimientos siguientes:

1. Retire la batería del cortasetos antes de realizar tareas de mantenimiento o limpieza.
2. Limpie el cortasetos con un paño húmedo si hay acumulación de residuos. No lave el cortasetos con una manguera ni la sumerja en agua.

⚠ ADVERTENCIA

Las cuchillas del cortasetos pueden provocar cortes o amputaciones.

Tenga cuidado al manejar el cortasetos con la funda protectora retirada.

3. Inspeccione la máquina, y compruebe y apriete todas las fijaciones. Repare o sustituya cualquier pieza dañada o que falte.

Importante: Utilice únicamente piezas de repuesto y accesorios recomendados por el fabricante.

El producto solo lo debe reparar un Servicio Técnico Autorizado.

4. Con un cepillo, elimine cualquier residuo de las entradas y salidas de aire de la carcasa del motor para evitar que se sobrecaliente el motor.

Engrasado del cortasetos

Intervalo de mantenimiento: Cada 10 horas

Tipo de grasa: Grasa de litio.

1. Coloque el cortasetos en una superficie plana y retire la batería; consulte [Retirada de la batería de la unidad de potencia](#) (página 12).
2. Limpie los engrasadores con un trapo ([Figura 11](#)).
3. Conecte una pistola de engrasar a cada uno de los engrasadores y bombee grasa en éstos hasta que salga grasa de los engrasadores.
4. Limpie cualquier exceso de grasa.

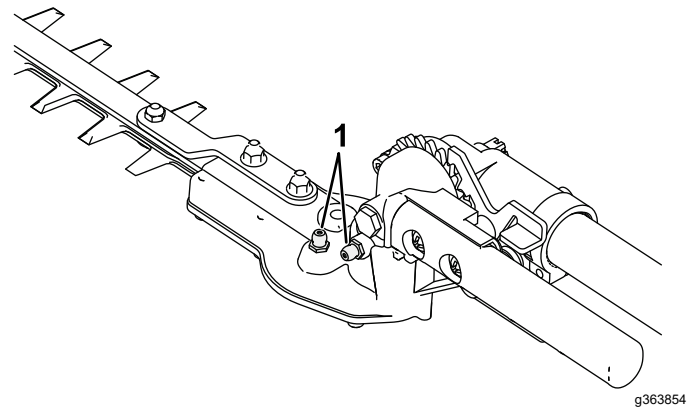


Figura 11

1. Ubicación de los engrasadores

Lubricación de las cuchillas

Intervalo de mantenimiento: Después de cada uso

⚠ ADVERTENCIA

Las cuchillas del cortasetos pueden provocar cortes o amputaciones.

Tenga cuidado al manejar el cortasetos con la funda protectora retirada.

1. Apague el cortasetos, retire la batería y coloque el cortasetos en una superficie plana.
2. Limpie la suciedad y los residuos del cortasetos usando un cepillo o un paño húmedo con un detergente suave.
3. Aplique aceite ligero para máquinas (por ejemplo, N° 10) a lo largo del borde de las cuchillas superiores ([Figura 12](#)).

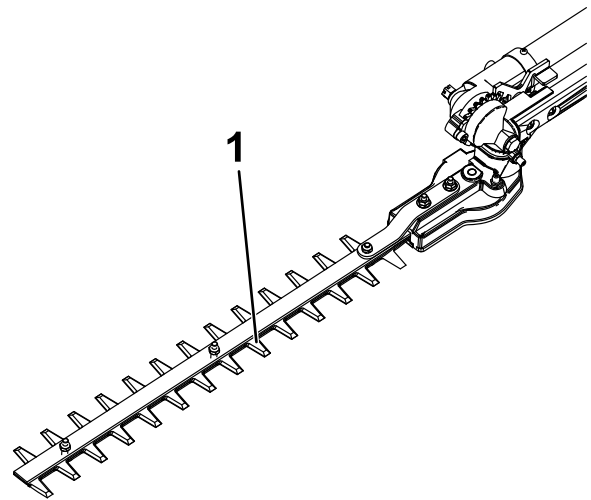


Figura 12

1. Aplique aceite para máquinas al borde superior de las cuchillas.

Almacenamiento

Importante: Almacene la herramienta, la batería y el cargador solo a temperaturas que estén dentro del intervalo apropiado; consulte [Especificaciones \(página 10\)](#).

Importante: Si va a almacenar la batería hasta la temporada siguiente, cárguela hasta que 2 o 3 de los indicadores LED de la batería cambien a verde. No almacene la batería completamente cargada ni completamente descargada. Antes de volver a usar la herramienta, cargue la batería hasta que se encienda el indicador izquierdo del cargador en verde, o hasta que los 4 indicadores LED de la batería cambien a verde.

- Desconecte el producto del suministro de energía (es decir, retire el enchufe del suministro de energía o la batería) y compruebe si hay daños después del uso.
- Limpie cualquier material extraño del producto.
- No guarde la herramienta con la batería instalada.
- Cuando no se estén utilizando, almacene la herramienta, la batería y el cargador de la batería fuera del alcance de los niños.
- Mantenga la herramienta, la batería y el cargador de la batería alejados de agentes corrosivos como productos químicos de jardín o sal para deshielo.
- Para reducir el riesgo de lesiones personales graves, no almacene la batería en el exterior o en un vehículo.
- Guarde la herramienta, la batería y el cargador en un lugar cerrado, limpio y seco.

Solución de problemas

Realice solo los pasos descritos en estas instrucciones. Cualquier otro trabajo de inspección, mantenimiento o reparación debe ser realizado por un Servicio Técnico Autorizado o por un especialista autorizado si no puede solucionar el problema usted mismo.

Problema	Posible causa	Acción correctora
La herramienta no arranca.	<ol style="list-style-type: none">1. La batería no está correctamente instalada en la herramienta.2. La batería no está cargada.3. La batería está dañada.4. Hay otro problema eléctrico con la herramienta.	<ol style="list-style-type: none">1. Retire y luego vuelva a colocar la batería en la herramienta, asegurándose de que está completamente instalada y bloqueada.2. Retire la batería de la herramienta y cárguela.3. Sustituya la batería.4. Póngase en contacto con el Servicio Técnico Autorizado.
La herramienta no alcanza la potencia completa.	<ol style="list-style-type: none">1. La batería está casi descargada.2. Los orificios de ventilación están obstruidos.	<ol style="list-style-type: none">1. Retire la batería de la herramienta y cargue la batería completamente.2. Limpie los orificios de ventilación.
La herramienta produce vibraciones o ruidos excesivos.	<ol style="list-style-type: none">1. Las cuchillas están desafiladas o dañadas.	<ol style="list-style-type: none">1. Póngase en contacto con el Servicio Técnico Autorizado.
La batería se descarga rápidamente.	<ol style="list-style-type: none">1. La temperatura de la batería está por encima o por debajo del intervalo de temperatura adecuado.2. La máquina está sobrecargada.	<ol style="list-style-type: none">1. Traslade la batería a un lugar seco cuya temperatura sea de entre 5 °C y 40 °C (41 °F y 104 °F).2. Recorte a una velocidad más lenta.

Información sobre las Advertencias de la Proposición 65 de California

¿Qué significa esta advertencia?

Puede ver un producto a la venta que lleva una etiqueta de advertencia como la siguiente:



ADVERTENCIA: Cáncer y daños reproductivos – www.p65Warnings.ca.gov.

¿Qué es la Proposición 65?

La Proposición 65 afecta a cualquier empresa que tenga presencia en California, que venda productos en California, o que fabrique productos que podrían ser introducidos o vendidos en California. Esta ley exige que el Gobernador de California mantenga y publique una lista de sustancias químicas identificadas como causantes de cáncer, defectos de nacimiento y/u otros daños reproductivos. La lista, que se actualiza anualmente, incluye cientos de productos químicos que se encuentran en muchos artículos de uso diario. El propósito de la Proposición 65 es informar al público sobre la exposición a estos productos químicos.

La Proposición 65 no prohíbe la venta de productos que contengan estos productos químicos, sino que requiere la presencia de advertencias en el producto, el envase y la documentación suministrada con el producto. Además, una advertencia de la Proposición 65 no significa que el producto contravenga ninguna norma o requisito de seguridad. De hecho, el gobierno de California ha aclarado que una advertencia bajo la Proposición 65 "no es lo mismo que una decisión legal sobre la 'seguridad' o la 'inseguridad' de un producto". Muchos de estos productos químicos han sido utilizados durante años en productos de uso diario sin que se hayan producido daños documentados. Para obtener más información, visite <https://oag.ca.gov/prop65/faqs-view-all>.

Una advertencia de la Proposición 65 significa que una empresa (1) ha evaluado la exposición y ha concluido que supera el nivel de "sin riesgo significativo"; o (2) ha optado por proporcionar una advertencia basándose en sus conocimientos respecto a la presencia de un producto químico de los incluidos en la lista, sin intentar evaluar la exposición.

¿Esta ley es aplicable en todas partes?

Las advertencias de la Proposición 65 sólo son obligatorias bajo la legislación de California. Estas advertencias se ven por toda California en una gran variedad de entornos, incluyendo entre otros restaurantes, tiendas de alimentación, hoteles, escuelas y hospitales, y en una amplia variedad de productos. Además, algunos minoristas de Internet y de la venta por correo incluyen advertencias de la Proposición 65 en sus sitios web o en sus catálogos.

¿Qué diferencia hay entre las advertencias de California y los límites federales?

Las normas de la Proposición 65 son a menudo más exigentes que las normas federales o internacionales. Varias sustancias requieren una advertencia bajo la Proposición 65 a niveles muy inferiores a los límites federales. Por ejemplo, el nivel exigido por la Proposición 65 para las advertencias sobre el plomo es de 0.5 µg/día, que es muy inferior a lo que exigen las normas federales e internacionales.

¿Por qué no llevan la advertencia todos los productos similares?

- Los productos vendidos en California deben llevar etiquetas bajo la Proposición 65, mientras que otros productos similares que se venden en otros lugares no las necesitan.
- Una empresa puede estar obligada a incluir advertencias de Proposición 65 en sus productos como condición de un acuerdo tras un procedimiento legal relacionado con la Proposición 65, pero otras empresas que fabrican productos similares no tienen necesariamente la misma obligación.
- La aplicación de la Proposición 65 no es uniforme.
- Algunas empresas pueden optar por no proporcionar advertencias porque concluyen que no están obligadas a hacerlo bajo la Proposición 65; la falta de advertencias en un producto no significa que el producto esté libre de los productos químicos incluidos en la lista a niveles similares.

¿Por qué incluye el fabricante esta advertencia?

El fabricante ha optado por proporcionar a los consumidores la mayor cantidad posible de información para que puedan tomar decisiones informadas sobre los productos que compra y utiliza. El fabricante proporciona advertencias en ciertos casos basándose en sus conocimientos sobre la presencia de uno o más productos químicos de la lista, sin evaluar el nivel de exposición, puesto que la lista no incluye límites de exposición para todos los productos químicos que contiene. Aunque la exposición que provocan los productos del fabricante puede ser insignificante, o estar dentro de los límites de la categoría "sin riesgo significativo", el fabricante ha optado por proporcionar las advertencias de la Proposición 65 por simple precaución. Además, si el fabricante no proporcionara estas advertencias, podría ser demandada por el Estado de California o por particulares bajo la Proposición 65, y estar sujeta a importantes sanciones.



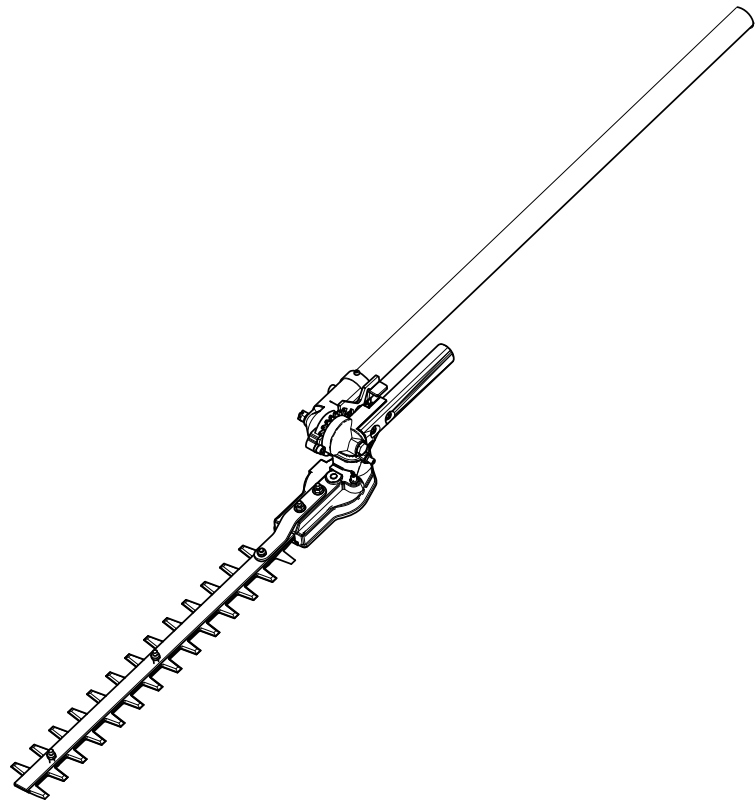
Count on it.

Manuel de l'utilisateur

Taille-haie sur perche

Accessoire Flex-Force Power System™ 60 V
MAX

N° de modèle 88713—N° de série 323000001 et suivants





Si vous avez besoin d'aide, visionnez les vidéos d'instruction sur www.Toro.com/support ou contactez votre dépositaire-réparateur agréé avant de renvoyer ce produit.

▲ ATTENTION

CALIFORNIE

Proposition 65 - Avertissement

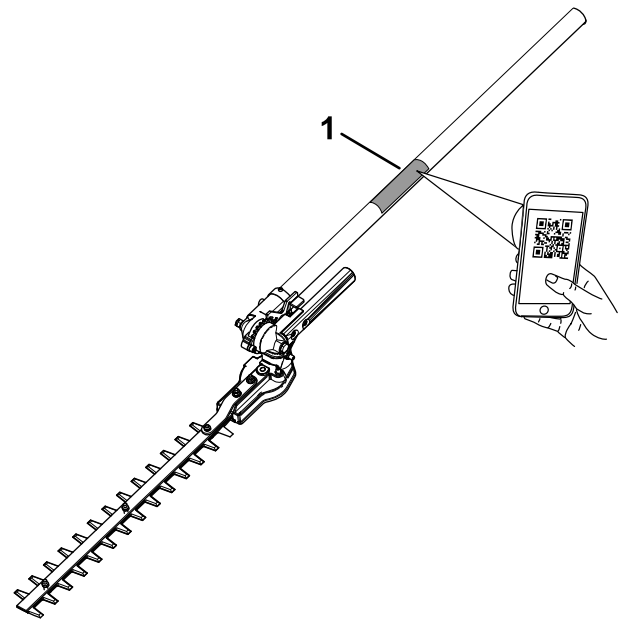
Le cordon d'alimentation de cette machine contient du plomb, une substance chimique considérée par l'état de Californie comme susceptible de provoquer des malformations congénitales et autres troubles de la reproduction. Lavez-vous les mains après avoir manipulé la batterie.

L'utilisation de ce produit peut entraîner une exposition à des substances chimiques considérées par l'état de Californie comme capables de provoquer des cancers, des anomalies congénitales ou d'autres troubles de la reproduction.

Pour plus d'information, y compris des conseils de sécurité, des documents de formation, des renseignements concernant un accessoire, pour obtenir l'adresse d'un dépositaire ou pour enregistrer votre produit, rendez-vous sur le site www.Toro.com.

Pour obtenir des prestations de service, des pièces d'origine ou des renseignements complémentaires, munissez-vous des numéros de modèle et de série du produit et contactez un dépositaire-réparateur agréé ou le service client du constructeur. La **Figure 1** indique l'emplacement des numéros de modèle et de série du produit. Inscrivez les numéros dans l'espace réservé à cet effet.

Important: Avec votre appareil mobile, vous pouvez scanner le code QR (selon l'équipement) sur la plaque du numéro de série pour accéder à l'information sur la garantie, les pièces et autres renseignements concernant le produit.



g425982

Figure 1

1. Emplacement des numéros de modèle et de série

N° de modèle _____

N° de série _____

Introduction

Ce taille-haie sur perche est destiné au grand public, pour la taille des buissons et des haies. Elle ne doit être utilisée que par des personnes adultes. Il est conçu pour être utilisé en association avec la tête motrice modèle 51810T compatible avec les accessoires Toro Flex-Force Power System 60 V MAX. L'utilisation de ce produit à d'autres fins que celle prévue peut être dangereuse pour vous-même et toute personne à proximité.

Important: Vous devez installer le harnais à fixation rapide inclus pour assurer un soutien et un équilibre corrects.

Lisez attentivement cette notice pour apprendre comment utiliser et entretenir correctement votre produit, et éviter ainsi de l'endommager ou de vous blesser. Vous êtes responsable de l'utilisation sûre et correcte du produit.

Symbole de sécurité

Le symbole de sécurité (Figure 2) utilisé dans ce manuel et sur la machine identifie d'importants messages de sécurité dont vous devez tenir compte pour éviter des accidents.



Figure 2
Symbole de sécurité

g000502

Le symbole de sécurité apparaît au-dessus de toute information signalant des actions ou des situations dangereuses. Il est suivi de la mention **DANGER**, **ATTENTION** ou **PRUDENCE**.

DANGER : Signale un danger immédiat qui, s'il n'est pas évité, **entraînera obligatoirement** des blessures graves ou mortelles.

ATTENTION : Signale un danger potentiel qui, s'il n'est pas évité, **risque d'entraîner** des blessures graves ou mortelles.

PRUDENCE : Signale un danger potentiel qui, s'il n'est pas évité, **peut éventuellement entraîner** des blessures légères ou modérées.

Ce manuel utilise également deux autres termes pour faire passer des renseignements essentiels. **Important**, pour attirer l'attention sur une information d'ordre mécanique spécifique, et **Remarque**, pour souligner une information d'ordre général méritant une attention particulière.

La tête motrice modèle 51810T est compatible avec divers accessoires agréés par Toro et est conforme à des normes spécifiques en combinaison avec ces accessoires; voir le tableau suivant pour plus de précisions.

Combinaison	Modèle de tête motrice	Modèle d'accessoire	Norme
Débroussailluse à fil	51810T	88716	Conforme à UL STD 82 Certifié conforme à CSA STD C22.2 No. 147
Coupe-bordures	51810T	88710	Conforme à UL STD 82 Certifié conforme à CSA STD C22.2 No. 147
Élagueuse sur perche	51810T	88714	Conforme à UL STD 82 Certifié conforme à CSA STD C22.2 No. 147
Cultivateur	51810T	88715	Conforme à UL STD 82 Certifié conforme à CSA STD C22.2 No. 147
Taille-haies	51810T	88713	Conforme à UL STD 62841-4-2 Certifié conforme à CSA STD C22.2 62841-4-2

Sécurité

⚠ ATTENTION

Prenez connaissance de toutes les consignes de sécurité, instructions, illustrations et spécifications qui accompagnent cet outil électrique.

Le non respect de toutes les instructions énoncées ci-après peut entraîner des chocs électriques, un incendie et/ou des blessures graves.

Conservez précieusement toutes les mises en garde et consignes de sécurité pour référence ultérieure.

Le terme « outil électrique » utilisé dans toutes les mises en garde renvoie à votre outil électrique branché sur le secteur (câblé) ou alimenté par batterie (sans fil).

IMPORTANTES CONSIGNES DE SÉCURITÉ

I. Sécurité sur la zone de travail

1. **La zone de travail doit être propre et bien éclairée.** *Les endroits sombres et encombrés sont propices aux accidents.*
2. **N'utilisez jamais d'outils électriques dans des atmosphères explosives, en présence de liquides, gaz ou poussière inflammables par exemple.** *Les outils électriques produisent des étincelles qui peuvent enflammer la poussière ou les vapeurs/émanations.*
3. **Tenez enfants et spectateurs à distance pendant l'utilisation d'un outil électrique.** *Les distractions peuvent entraîner la perte de contrôle de l'outil.*

II. Sécurité électrique

1. **La fiche des outils électriques doit correspondre au type de prise. Ne modifiez jamais la fiche électrique. N'utilisez pas d'adaptateur avec les outils électriques reliés à la terre.** *Les fiches et prises correspondantes non modifiées réduisent le risque de choc électrique.*
2. **Évitez tout contact du corps avec des surfaces reliées à la terre/masse, par exemple tuyaux, radiateurs, cuisinières et réfrigérateurs.** *Le risque de choc électrique augmente si vous êtes relié à la terre.*
3. **N'exposez pas les outils électriques à la pluie ou à l'humidité.** *Toute infiltration d'eau*

dans un outil électrique augmente le risque de choc électrique.

4. **Ne maltraitez pas le cordon d'alimentation. Ne vous servez jamais du cordon pour transporter, tirer ou débrancher l'outil électrique.** *Éloignez le cordon des surfaces chaudes, de la graisse, des arêtes vives ou des pièces mobiles. Les cordons endommagés ou emmêlés augmentent le risque de choc électrique.*
5. **Si vous utilisez un outil électrique à l'extérieur, utilisez toujours une rallonge adaptée à l'usage extérieur.** *L'utilisation d'une rallonge prévue pour l'usage extérieur réduit le risque de choc électrique.*
6. **Si l'utilisation d'un outil électrique dans un endroit humide ne peut être évitée, utilisez une alimentation protégée par un disjoncteur différentiel.** *L'utilisation d'un disjoncteur différentiel réduit le risque de choc électrique.*

III. Sécurité personnelle

1. **Restez vigilant(e), regardez ce que vous faites et faites preuve de bon sens lorsque vous utilisez un outil électrique. N'utilisez jamais un outil électrique si vous êtes fatigué ou sous l'emprise de l'alcool, de drogues ou de médicaments.** *Un seul moment d'inattention pendant l'utilisation peut entraîner de graves blessures.*
2. **Utilisez des équipements de protection individuelle. Portez toujours une protection oculaire.** *Les équipements de protection comme les masques antipoussière, les chaussures de sécurité à semelle antidérapante, les casques et les protections antibruit utilisés de manière pertinente réduisent les risques de blessures.*
3. **Évitez tout démarrage accidentel.** **Assurez-vous que l'interrupteur Marche/Arrêt est en position ARRÊT avant de connecter l'outil à une source d'alimentation et/ou à la batterie, de le prendre en main ou de le transporter.** *Des accidents peuvent se produire si vous transportez un outil électrique en gardant le doigt sur l'interrupteur d'alimentation ou si vous le mettez sous tension sans avoir placé l'interrupteur en position Arrêt.*
4. **Retirez toute clé de réglage ou autre avant de mettre l'outil en marche.** *Une clé oubliée sur une pièce rotative de l'outil électrique pourrait vous blesser.*
5. **Ne travaillez pas trop loin devant vous.** **Gardez toujours les pieds bien posés à terre et faites en sorte de ne pas perdre l'équilibre.**

Vous pourrez ainsi garder le contrôle de l'outil en cas d'événement inattendu.

6. **Portez des vêtements adéquats. Ne portez pas de vêtements amples ni de bijoux pendants. N'approchez pas les cheveux ni les vêtements des pièces en mouvement.** *Les vêtements amples, les bijoux pendants ou les cheveux longs peuvent se prendre dans les pièces mobiles.*
7. **Si des dispositifs sont fournis pour le raccordement d'équipements de dépoussiérage et de récupération, assurez-vous qu'ils sont connectés et utilisés correctement.** *L'utilisation d'un dispositif de récupération des poussières peut réduire les risques associés aux poussières.*
8. **Même si vous avez l'habitude d'utiliser les outils, ne relâchez pas votre attention et n'ignorez pas les principes de sécurité des outils.** *Une imprudence peut causer des blessures graves en une fraction de seconde.*

IV. Utilisation et entretien des outils électriques

1. **Ne faites pas forcer l'outil électrique. Utilisez l'outil électrique correct pour la tâche à accomplir.** *Un outil électrique adapté donnera de meilleurs résultats et sera moins dangereux s'il est utilisé dans les limites prévues.*
2. **Ne vous servez pas de l'outil électrique si l'interrupteur marche/arrêt ne permet pas de le mettre en marche et de l'arrêter correctement.** *Un outil électrique qui ne peut pas être commandé par l'interrupteur marche/arrêt est dangereux et doit être réparé.*
3. **Débranchez l'outil de la source d'alimentation et/ou enlevez la batterie de l'outil, si elle est amovible, avant d'effectuer des réglages, de changer d'accessoire ou de ranger l'outil.** *Ces mesures de sécurité préventives réduisent le risque de démarrage accidentel de l'outil.*
4. **Rangez les outils électriques non utilisés hors de portée des enfants et ne confiez leur utilisation qu'à des personnes connaissant leur maniement et ayant lu ces instructions.** *Les outils électriques sont dangereux s'ils sont mis entre les mains d'utilisateurs novices.*
5. **Effectuez l'entretien des outils et des accessoires. Assurez-vous qu'aucune pièce n'est mal alignée, grippée, cassée ou présente tout autre défaut susceptible d'affecter le bon fonctionnement de l'outil électrique. S'il est endommagé, faites réparer l'outil électrique avant de l'utiliser.** *De nombreux accidents sont causés par des outils électriques en mauvais état.*

6. **Gardez les outils de coupe propres et bien affûtés.** *Des outils de coupe entretenus correctement et bien affûtés sont moins susceptibles de coincer et sont plus faciles à contrôler.*
7. **Utilisez l'outil électrique, les accessoires, les outils rapportés, etc. en conformité avec ces instructions, en tenant compte des conditions de travail et de la tâche à réaliser.** *L'utilisation de l'outil électrique pour des opérations autres que celles prévues peut engendrer une situation dangereuse.*
8. **Gardez les poignées et surfaces de préhension sèches, propres et exemptes d'huile et de graisse.** *Les poignées et les surfaces de préhension glissantes ne permettent pas de manipuler et de contrôler l'outil en toute sécurité dans des situations imprévues.*

V. Utilisation et entretien des outils à batterie

1. **Ne les rechargez qu'avec le chargeur spécifié par le fabricant.** *Un chargeur convenant à un type de batterie peut créer un risque d'incendie s'il est utilisé avec une autre batterie.*
2. **Utilisez les outils électriques uniquement avec les batteries spécifiquement prévues.** *L'utilisation d'autres batteries peut créer un risque de blessure et d'incendie.*
3. **Lorsque la batterie ne sert pas, rangez-la à distance d'objets métalliques tels que trombones, pièces de monnaie, clés, clous, vis ou autre petit objet métallique qui pourrait relier les bornes entre elles.** *Un court-circuit aux bornes de la batterie peut causer des brûlures ou un incendie.*
4. **Du liquide peut s'échapper de la batterie en cas d'utilisation abusive; évitez tout contact avec le liquide. En cas de contact accidentel, rincez à l'eau. En cas de contact du liquide avec les yeux, consultez en plus un médecin.** *Le liquide qui s'échappe de la batterie peut causer des irritations ou des brûlures.*
5. **N'utilisez pas une batterie ou un outil qui a été endommagé(e) ou modifié(e).** *Les batteries endommagées ou modifiées peuvent se comporter de manière imprévisible et causer un incendie, une explosion ou des blessures.*
6. **N'exposez pas les batteries ou les outils au feu ou à une température excessive.** *L'exposition au feu ou à une température supérieure à 130 °C (265 °F) peut provoquer une explosion.*
7. **Suivez toutes les instructions de charge et ne chargez pas la batterie ou l'outil en dehors de la plage de température spécifiée dans les**

instructions. *Une charge incorrecte ou à des températures en dehors de la plage spécifiée peut endommager la batterie et augmenter le risque d'incendie.*

VI. Entretien

1. **Confiez l'entretien de votre outil électrique à un réparateur qualifié utilisant exclusivement des pièces de rechange identiques.** *La sécurité de votre outil électrique sera ainsi maintenue.*
2. **Ne faites jamais l'entretien des batteries endommagées.** *L'entretien des batteries ne doit être effectué que par le fabricant ou les fournisseurs de services autorisés.*

VII. Avertissements de sécurité pour le taille-haie

1. **N'approchez aucune partie du corps de la lame. Ne retirez pas le matériau coupé et ne tenez pas le matériau à couper pendant le fonctionnement des lames.** *Les lames continuent de fonctionner après la mise hors tension de l'outil. Un seul moment d'inattention pendant l'utilisation du taille-haie peut entraîner de graves blessures.*
2. **Portez le taille-haie par la poignée avec la lame arrêtée et en prenant soin de ne pas actionner l'interrupteur d'alimentation.** *Le transport correct du taille-haie réduit le risque de démarrage accidentel et de blessures causées par les lames.*
3. **Mettez toujours le couvre-lame en place avant de transporter ou de ranger le taille-haie.** *La manipulation correcte du taille-haie réduit le risque de démarrage accidentel et de blessures causées par les lames.*
4. **Lorsque vous enlevez des matériaux coincés ou que vous faites l'entretien de l'appareil, assurez-vous que tous les interrupteurs d'alimentation sont en position hors tension et que la batterie est retirée ou débranchée.** *La mise en marche inopinée du taille-haie lors du dégagement d'une obstruction ou de l'entretien peut entraîner des blessures graves.*
5. **Tenez le taille-haie uniquement par les surfaces de préhension isolées, car la lame peut toucher des câbles cachés.** *Si les lames entrent en contact avec un câble « sous tension », les pièces métalliques exposées du taille-haie peuvent également être mises « sous tension » et causer un choc électrique pour l'utilisateur.*
6. **Tenez tous les cordons et câbles d'alimentation à l'écart de la zone de coupe.**

Des cordons ou câbles d'alimentation peuvent être cachés par des haies ou des buissons et risquent d'être accidentellement coupé par la lame.

7. **N'utilisez pas le taille-haie par mauvais temps, surtout s'il existe un risque de foudre.** *Cela réduit le risque d'être frappé par la foudre.*
8. **Pour réduire le risque d'électrocution, n'utilisez jamais la taille-haie grande portée à proximité de lignes électriques.** *Si vous touchez des lignes électriques ou si vous travaillez à proximité, vous pouvez subir de graves blessures ou un choc électrique pouvant entraîner la mort.*
9. **Tenez toujours le taille-haie grande portée des deux mains pendant l'utilisation.** *Tenez le taille-haie grande portée des deux mains pour éviter d'en perdre le contrôle.*
10. **Protégez-vous toujours la tête quand vous utilisez le taille-haie grande portée au-dessus de vous.** *La chute de débris peut entraîner de graves blessures.*

CONSERVEZ CES INSTRUCTIONS

Autocollants de sécurité et d'instruction



Des autocollants de sécurité et des instructions bien visibles par l'opérateur sont placés près de tous les endroits potentiellement dangereux. Remplacez tout autocollant endommagé ou manquant.



decal139-5346

139-5346



decal145-3136

145-3136

1. Attention – lisez le *Manuel de l'utilisateur*; portez des protège-oreilles; portez des lunettes de protection; portez un casque et des chaussures solides à semelle antidérapante; n'exposez pas l'appareil à la pluie; Prudence – Risque de coupure/mutilation des mains; risque de coincement – ne vous approchez pas des pièces mobiles; tenez tout le monde à distance pendant l'utilisation de l'appareil; risque d'électrocution – ne vous approchez pas des lignes électriques.

Mise en service

Pièces détachées

Reportez-vous au tableau ci-dessous pour vérifier si toutes les pièces ont été expédiées.

Description	Qté	Utilisation
Aucune pièce requise	–	Installation du faisceau.

Connexion de l'accessoire à la tête motrice

1. Insérez l'arbre carré de l'accessoire dans l'arbre carré de la tête motrice (A de [Figure 3](#)).
2. Placez le bouton de verrouillage situé sur la moitié inférieure du manche en face du trou situé sur la moitié supérieure, et emboîtez-les 2 moitiés ensemble (B et C de la [Figure 3](#)).
3. Le bouton de verrouillage s'enclenche dans le trou quand les deux moitiés du manche sont correctement emboîtées (C de la [Figure 3](#)).
4. À l'aide de la poignée, serrez la vis sur le connecteur du manche jusqu'à ce qu'il soit bien fixé (D de la [Figure 3](#)).

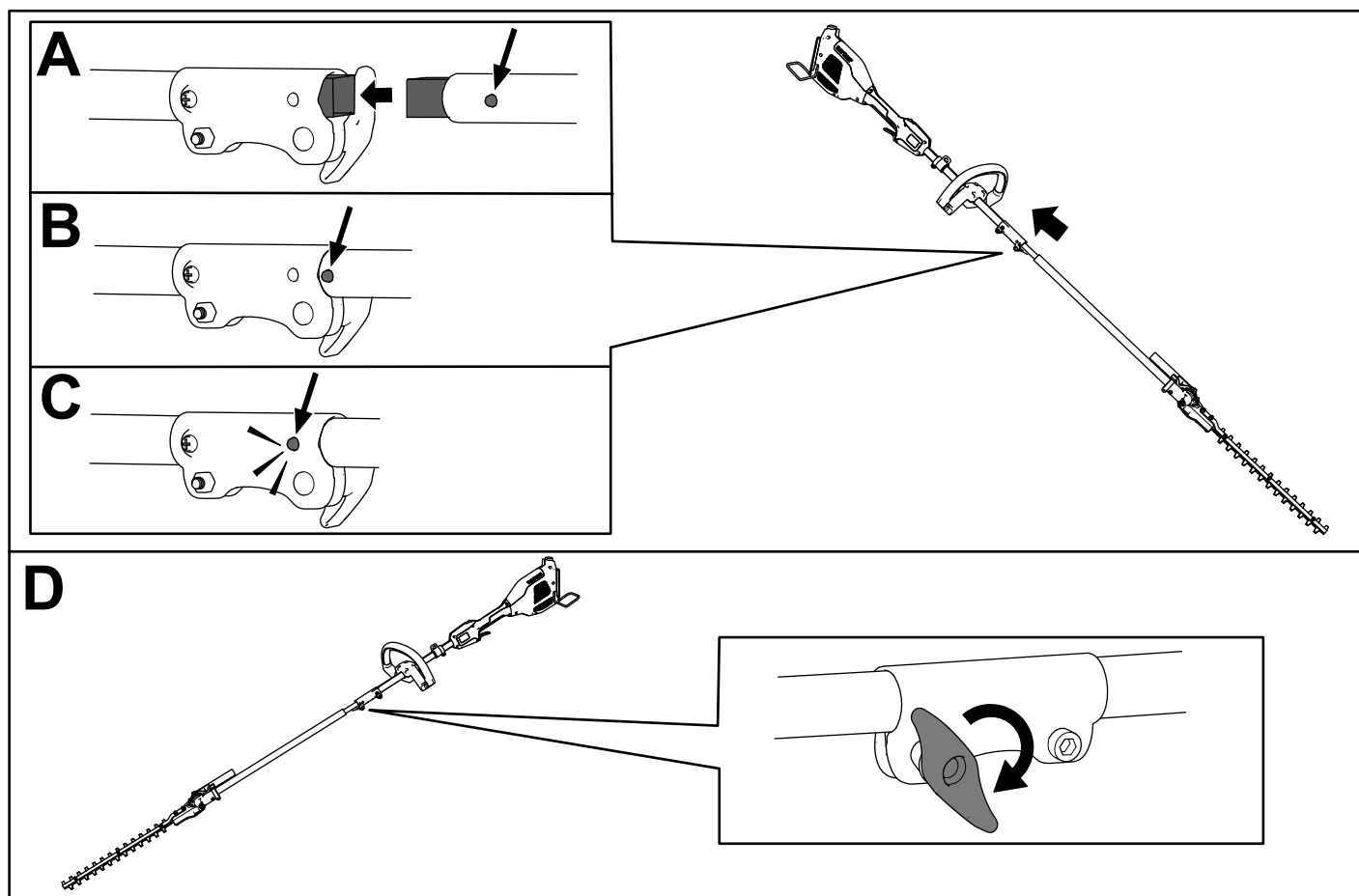
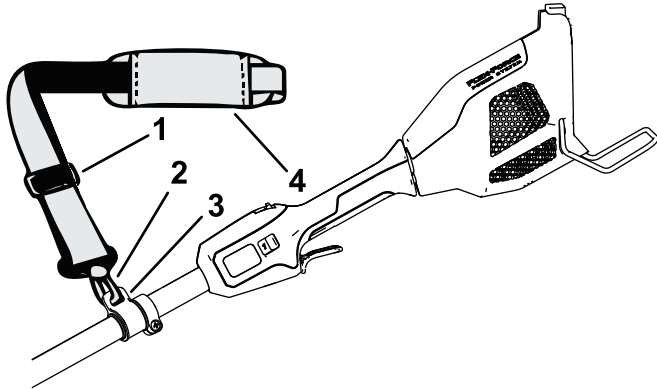


Figure 3

g358758

Installation du faisceau

Accrochez le crochet en métal de la sangle au collier sur le manche de la scie (Figure 4).



g364485

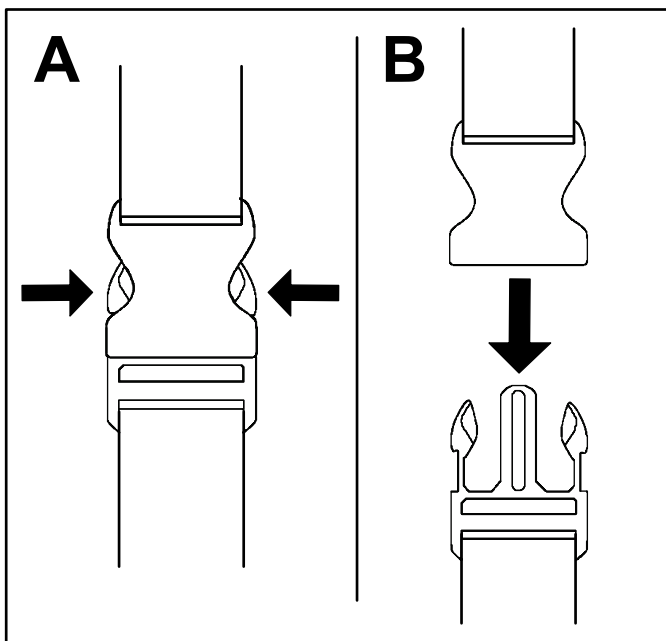
Figure 4

1. Boucle de réglage de la sangle
2. Crochet en métal
3. Collier de sangle
4. Sangle

Vous pouvez ajuster la longueur de la sangle en faisant coulisser la boucle de réglage vers le haut pour raccourcir la sangle ou vers le bas pour la rallonger (Figure 4).

En cas d'urgence, si vous devez retirer rapidement la sangle, détacher la boucle de fixation rapide comme suit :

1. Appuyez de chaque côté de la boucle (A de Figure 5).
2. La boucle va se détacher toute seule (B de Figure 5).



g340477

Figure 5

Vue d'ensemble du produit

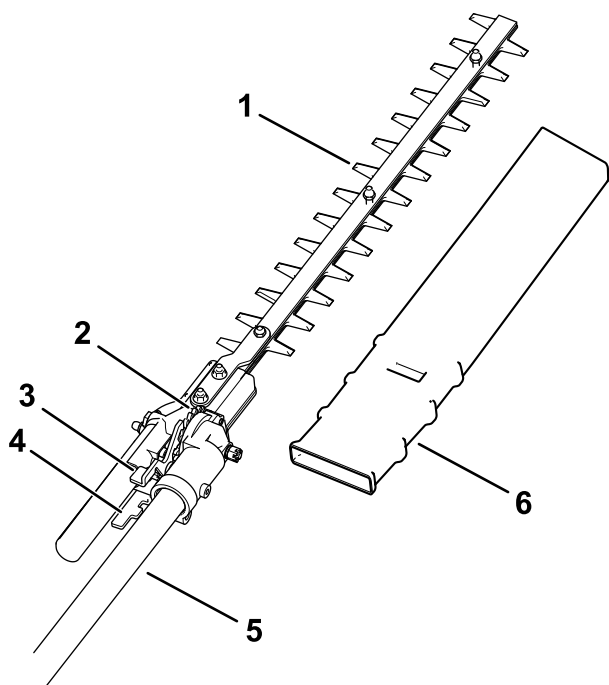


Figure 6

- 1. Lames
- 2. Plaque de blocage
- 3. Gâchette de déblocage
- 4. Levier de réglage
- 5. Arbre
- 6. Protège-lame

Caractéristiques techniques

Modèle	88713, se monte sur 51810T
Longueur de coupe	406 mm (16 po)
Tension nominale	60 V c.c. maximum, 54 V c.c. utilisation nominale
Largeur de coupe	23 mm (9/10 po)
Poids (fixé à la tête motrice sans batterie)	4,8 kg (10,6 lb)

Plages de température adéquates

Charger/ranger la batterie entre	5 °C (41 °F) et 40 °C (104 °F)*
Utiliser la batterie entre	-30 °C (-22 °F) et 49 °C (120 °F)*
Utiliser la machine entre	0 °C (32 °F) et 49 °C (120 °F)*

*Le temps de charge sera plus long en dehors de cette plage de température.

Rangez la machine, la batterie et le chargeur de batterie dans un local fermé, propre et sec.

Accessoires/outils

Une sélection d'outils et accessoires agréés par Toro est disponible pour augmenter et améliorer les capacités de la machine. Pour obtenir la liste de tous les accessoires et outils agréés, contactez votre dépositaire-réparateur ou distributeur agréé, ou rendez-vous sur le site www.Toro.com.

Pour garantir un rendement optimal et conserver la certification de sécurité de la machine, utilisez uniquement des pièces de rechange et accessoires Toro d'origine. Les pièces de rechange et accessoires d'autres constructeurs peuvent être dangereux.

g358713

Utilisation

Démarrage de l'accessoire

1. Enlevez le couvercle de protection des lames (Figure 6).

⚠ ATTENTION

Les lames du taille-haie peuvent causer des coupures ou des mutilations.

Manipulez toujours le taille-haie avec prudence quand le couvercle de protection est retiré.

2. Vérifiez que les événements de l'accessoire, la tête motrice et la batterie sont exempts de poussière et de débris.
3. Alignez le creux de la batterie sur la languette du corps de la poignée (Figure 7).

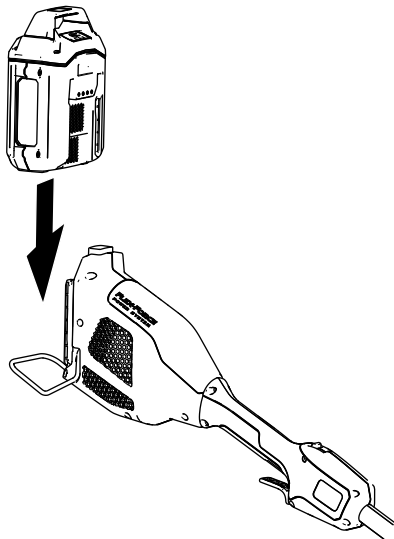


Figure 7

g357444

4. Poussez la batterie dans la poignée jusqu'à ce qu'elle s'enclenche dans le verrou.
5. Pour mettre l'accessoire en marche, appuyez sur le bouton de verrouillage, puis serrez la gâchette de marche (Figure 8).

Remarque: Faites coulisser le commutateur 2 vitesses pour modifier la vitesse de l'outil.

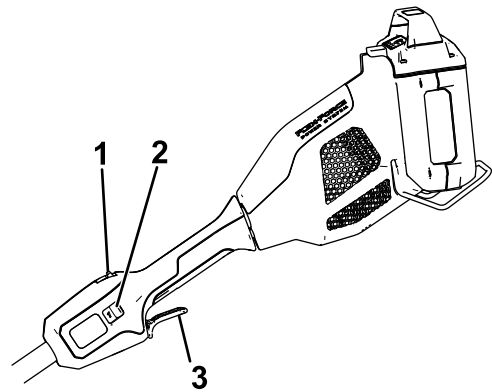


Figure 8

g357456

1. Bouton de verrouillage
2. Commutateur 2 vitesses
3. Gâchette de marche

Rotation de la tête du taille-haie

La tête du taille-haie peut tourner à 90° pour s'adapter aux différentes situations de coupe.

1. Enlevez la batterie; voir [Retrait de la batterie de la tête motrice](#) (page 12).
2. Rapprochez la gâchette de déblocage et le levier de réglage l'un de l'autre et tournez la tête du taille-haie.
3. Relâchez le levier et la gâchette, et vérifiez que la tête du taille-haies et le levier de réglage se bloquent en place.

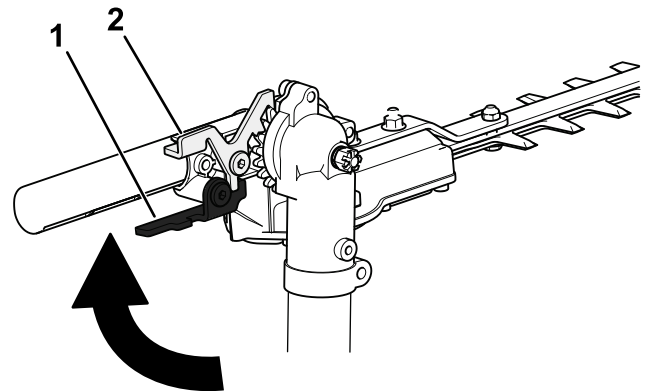


Figure 9

g363855

1. Gâchette de déblocage
2. Levier de réglage

Arrêt du taille-haie

Pour arrêter le taille-haie, relâchez la gâchette ([Figure 8](#)). Patientez au moins 5 secondes jusqu'à l'arrêt complet de la lame.

Chaque fois que vous cessez d'utiliser le taille-haie ou que vous le transportez vers ou de la zone de travail, enlevez la batterie et installez le protège-lame.

Retrait de la batterie de la tête motrice

Appuyez sur le verrou de batterie sur la machine afin de débloquer la batterie, et faites glisser cette dernière hors de la machine ([Figure 10](#)).

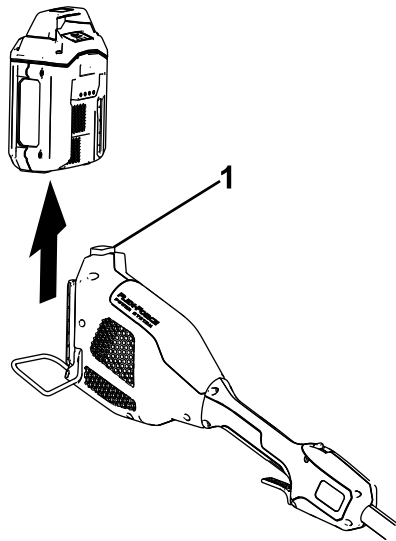


Figure 10

g357457

1. Verrou de batterie

Dépose de l'accessoire de la tête motrice

1. Veillez à retirer la batterie de la tête motrice; voir [Retrait de la batterie de la tête motrice \(page 12\)](#).
2. Desserrez la poignée de vis sur le connecteur de l'arbre ([Figure 3](#)).
3. Appuyez sur le bouton de verrouillage tout en séparant les 2 arbres ([Figure 3](#)).

Conseils d'utilisation

- L'outil électrique permet de couper dans un sens ou dans l'autre en exécutant un mouvement de va-et-vient lentement sur le plan transversal.
- Lorsque vous taillez de nouvelles pousses, utilisez un mouvement transversal plus ample pour qu'elles passent directement dans la lame.
- Utilisez une scie à main non électrique ou une scie à élaguer pour couper les branchages qui sont trop gros.
- Vous pouvez utiliser un cordeau pour vous aider à tailler la haie bien droite. Décidez à quelle hauteur vous souhaitez couper la haie. Tendez un cordeau le long de la haie à la hauteur voulue. Taillez la haie juste au-dessus du cordeau.

Entretien

Après chaque utilisation de la débroussailleuse, suivez les procédures ci-après :

1. Retirez la batterie du taille-haie avant d'en faire l'entretien ou de le nettoyer.
2. Essuyez le taille-haie avec un chiffon humide si des débris se sont accumulés dessus. Ne lavez pas la débroussailleuse au jet d'eau et ne la trempez pas dans l'eau.

⚠ ATTENTION

Les lames du taille-haie peuvent causer des coupures ou des mutilations.

Manipulez toujours le taille-haie avec prudence quand le couvercle de protection est retiré.

3. Examinez la machine, et contrôlez et resserrez toutes les fixations. Réparez ou remplacez les pièces éventuellement endommagées ou manquantes.

Important: Utilisez exclusivement les pièces et accessoires de rechange recommandés par le constructeur.

Ne confiez la réparation du produit qu'à un dépositaire-réparateur agréé.

4. Enlevez à la brosse les débris accumulés sur les prises d'air et l'échappement du carter du moteur pour empêcher le moteur de surchauffer.

Graissage du taille-haie

Périodicité des entretiens: Toutes les 10 heures

Type de graisse : au lithium.

1. Placez le taille-haie sur une surface plane et horizontale, et retirez la batterie; voir [Retrait de la batterie de la tête motrice \(page 12\)](#).
2. Nettoyez les graisseurs avec un chiffon ([Figure 11](#)).
3. Raccordez un pistolet de graissage aux graisseurs et injectez de la graisse à l'intérieur jusqu'à ce qu'elle commence à suinter hors des graisseurs.
4. Essuyez tout excès de graisse.

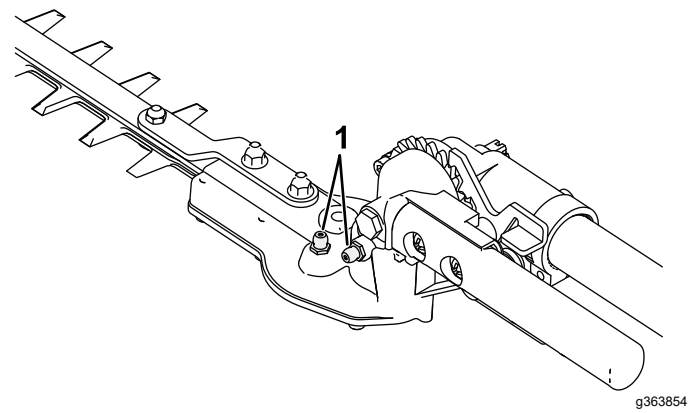


Figure 11

1. Emplacements des graisseurs

Graissage des lames

Périodicité des entretiens: Après chaque utilisation

⚠ ATTENTION

Les lames du taille-haie peuvent causer des coupures ou des mutilations.

Manipulez toujours le taille-haie avec prudence quand le couvercle de protection est retiré.

1. Arrêtez le taille-haie, retirez la batterie et posez l'outil sur une surface plane.
2. Débarrassez le taille-haie des saletés et débris éventuellement présents avec un chiffon humide et un détergent doux.
3. Appliquez de l'huile pour machine légère (n° 10 par exemple) sur le bord des lames supérieures ([Figure 12](#)).

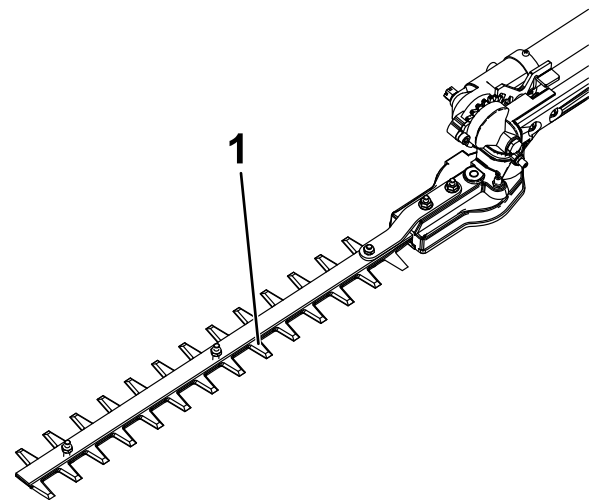


Figure 12

1. Appliquer de l'huile pour machine sur le bord supérieur des lames.

Remisage

Important: Remisez l'outil, la batterie et le chargeur uniquement à des températures comprises dans la plage adéquate; voir [Caractéristiques techniques \(page 10\)](#).

Important: Si vous remisez la batterie à la fin de la saison, chargez-la jusqu'à ce que 2 ou 3 de ses diodes soient vertes. Ne remisez pas une batterie complètement chargée ou complètement déchargée. Avant de réutiliser l'outil, chargez la batterie jusqu'à ce que le voyant gauche devienne vert sur le chargeur, ou que les 4 diodes de la batterie deviennent vertes.

- Débranchez le produit de l'alimentation (autrement dit, retirez la prise de l'alimentation ou de la batterie) et recherchez tout dommage éventuel après utilisation.
- Débarrassez l'appareil de tout corps étranger.
- Ne remisez pas l'outil en laissant la batterie dessus.
- Lorsqu'ils ne sont pas utilisés, rangez l'outil, la batterie et le chargeur de batterie hors de la portée des enfants.
- N'approchez pas l'outil, la batterie et le chargeur des agents corrosifs, tels les produits chimiques de jardinage et les sels de dégivrage.
- Pour réduire les risques de blessures graves, ne rangez pas la batterie à l'extérieur ou dans un véhicule.
- Rangez l'outil, la batterie et le chargeur dans un lieu fermé, propre et sec.

Dépistage des défauts

Effectuez uniquement les opérations décrites dans cette notice. Tout autre contrôle, entretien ou réparation doit être réalisé par un centre d'entretien agréé ou un spécialiste qualifié si vous n'arrivez pas à résoudre le problème vous-même.

Problème	Cause possible	Mesure corrective
L'outil ne démarre pas.	<ol style="list-style-type: none">1. La batterie n'est pas complètement installée dans l'outil.2. La batterie n'est pas chargée.3. La batterie est endommagée.4. L'outil a un problème de nature électrique.	<ol style="list-style-type: none">1. Retirez et remettez la batterie en place dans l'outil, en vérifiant qu'elle est complètement insérée et enclenchée.2. Retirez la batterie de l'outil et chargez-la.3. Remplacez la batterie.4. Contactez un dépositaire-réparateur agréé.
L'outil n'atteint pas sa pleine puissance.	<ol style="list-style-type: none">1. La capacité de charge de la batterie est trop faible.2. Les prises d'air sont obstruées.	<ol style="list-style-type: none">1. Retirez la batterie de l'outil et chargez-la complètement.2. Nettoyez les prises d'air.
L'outil produit des vibrations ou des bruits excessifs.	<ol style="list-style-type: none">1. Les lames sont émoussées ou endommagées.	<ol style="list-style-type: none">1. Contactez un dépositaire-réparateur agréé.
La batterie se décharge rapidement.	<ol style="list-style-type: none">1. La température de la batterie est supérieure ou inférieure à la plage de température appropriée.2. La machine est surchargée.	<ol style="list-style-type: none">1. Placez la batterie dans un endroit sec, où la température est comprise entre 5 °C (41 °F) et 40 °C (104 °F).2. Travaillez plus lentement.

Proposition 65 de Californie – Information concernant cet avertissement

En quoi consiste cet avertissement?

Certains produits commercialisés présentent une étiquette d'avertissement semblable à ce qui suit :



AVERTISSEMENT : Cancer et troubles de la reproduction –
www.p65Warnings.ca.gov.

Qu'est-ce que la Proposition 65?

La Proposition 65 s'applique à toute société exerçant son activité en Californie, qui vend des produits en Californie ou qui fabrique des produits susceptibles d'être vendus ou importés en Californie. Elle stipule que le Gouverneur de Californie doit tenir et publier une liste des substances chimiques connues comme causant des cancers, malformations congénitales et/ou autres troubles de la reproduction. Cette liste, qui est mise à jour chaque année, comprend des centaines de substances chimiques présentes dans de nombreux objets du quotidien. La Proposition 65 a pour objet d'informer le public quant à l'exposition à ces substances chimiques.

La Proposition 65 n'interdit pas la vente de produits contenant ces substances chimiques, mais impose la présence d'avertissements sur tout produit concerné, sur son emballage ou sur la documentation fournie avec le produit. D'autre part, un avertissement de la Proposition 65 ne signifie pas qu'un produit est en infraction avec les normes ou exigences de sécurité du produit. D'ailleurs, le gouvernement californien a clairement indiqué qu'un avertissement de la Proposition 65 « n'est pas une décision réglementaire quant au caractère « sûr » ou « dangereux » d'un produit ». Bon nombre de ces substances chimiques sont utilisées dans des produits du quotidien depuis des années, sans aucun effet nocif documenté. Pour plus de renseignements, rendez-vous sur <https://oag.ca.gov/prop65/faqs-view-all>.

Un avertissement de la Proposition 65 signifie qu'une société a soit (1) évalué l'exposition et conclu qu'elle dépassait le « niveau ne posant aucun risque significatif »; soit (2) choisi d'émettre un avertissement simplement sur la base de sa compréhension quant à la présence d'une substance chimique de la liste, sans tenter d'en évaluer l'exposition.

Cette loi s'applique-t-elle partout?

Les avertissements de la Proposition 65 sont exigés uniquement en vertu de la loi californienne. Ces avertissements sont présents dans tout l'état de Californie, dans des environnements très variés, notamment mais pas uniquement les restaurants, magasins d'alimentation, hôtels, écoles et hôpitaux, et sur un vaste éventail de produits. En outre, certains détaillants en ligne et par correspondance fournissent des avertissements de la Proposition 65 sur leurs sites internet ou dans leurs catalogues.

Quelles différences entre les avertissements de Californie et les limites fédérales?

Les normes de la Proposition 65 sont souvent plus strictes que les normes fédérales et internationales. Diverses substances exigent un avertissement de la Proposition 65 à des niveaux bien inférieurs aux limites d'intervention fédérales. Par exemple, la norme de la Proposition 65 en matière d'avertissements pour le plomb se situe à 0,5 µg/jour, soit bien moins que les normes fédérales et internationales.

Pourquoi l'avertissement ne figure-t-il pas sur tous les produits semblables?

- Pour les produits commercialisés en Californie, l'étiquetage Proposition 65 est exigé, tandis qu'il ne l'est pas sur des produits similaires commercialisés ailleurs.
- Il se peut qu'une société impliquée dans un procès lié à la Proposition 65 et parvenant à un accord soit obligée d'utiliser les avertissements de la Proposition 65 pour ses produits, tandis que d'autres sociétés fabriquant des produits semblables peuvent ne pas être soumises à cette obligation.
- L'application de la Proposition 65 n'est pas uniforme.
- Certaines sociétés peuvent choisir de ne pas indiquer d'avertissements car elles considèrent qu'elles n'y sont pas obligées au titre de la Proposition 65; l'absence d'avertissements sur un produit ne signifie pas que le produit ne contient pas de substances de la liste à des niveaux semblables.

Pourquoi le fabricant inclut-il cet avertissement?

Le fabricant a choisi de fournir aux consommateurs le plus d'information possible afin qu'ils puissent prendre des décisions éclairées quant aux produits qu'ils achètent et utilisent. Le fabricant fournit des avertissements dans certains cas d'après ses connaissances quant à la présence de l'une ou plusieurs des substances chimiques de la liste, sans en évaluer le niveau d'exposition, car des exigences de limites ne sont pas fournies pour tous les produits chimiques de la liste. Bien que l'exposition associée aux produits du fabricant puisse être négligeable ou parfaitement dans les limites « sans aucun risque significatif », par mesure de précaution, le fabricant a décidé de fournir les avertissements de la Proposition 65. De plus, en l'absence de ces avertissements, le fabricant pourrait faire l'objet de poursuites par l'État de Californie ou par des particuliers cherchant à faire appliquer la Proposition 65, et donc être assujéti à d'importantes pénalités.

Remarques:



Count on it.