



Count on it.

Parts Catalog

**ProStripe
560 Mower**

Model No. 02657—Serial No. 404000000 and Up



Ordering Replacement Parts

To order replacement parts, please supply the part number, the quantity, and the description of each part desired.

Understanding Reference Numbers

Each identified part in an illustration has a reference number. The reference number for a part also appears in the parts list, along with other information about the part.

This catalog uses two special reference number formats, one to indicate parts in a service assembly and another to indicate the quantity of a given part in an illustration.

Service Assembly Reference Numbers

Parts in service assemblies have reference numbers in the form a:b. The a represents the reference number of the entire service assembly and the b represents a sequential number unique to each part within the service assembly.

For example, a wheel assembly might be identified by reference number 6, the tire by 6:1, the valve by 6:2, and the wheel by 6:3. When you order the assembly identified by reference number 6, you receive all parts identified by reference numbers 6:1, 6:2, and 6:3. However, you may also order any part individually. Reference numbers of this type appear in illustration and in parts lists.

Reference Numbers Indicating Quantity

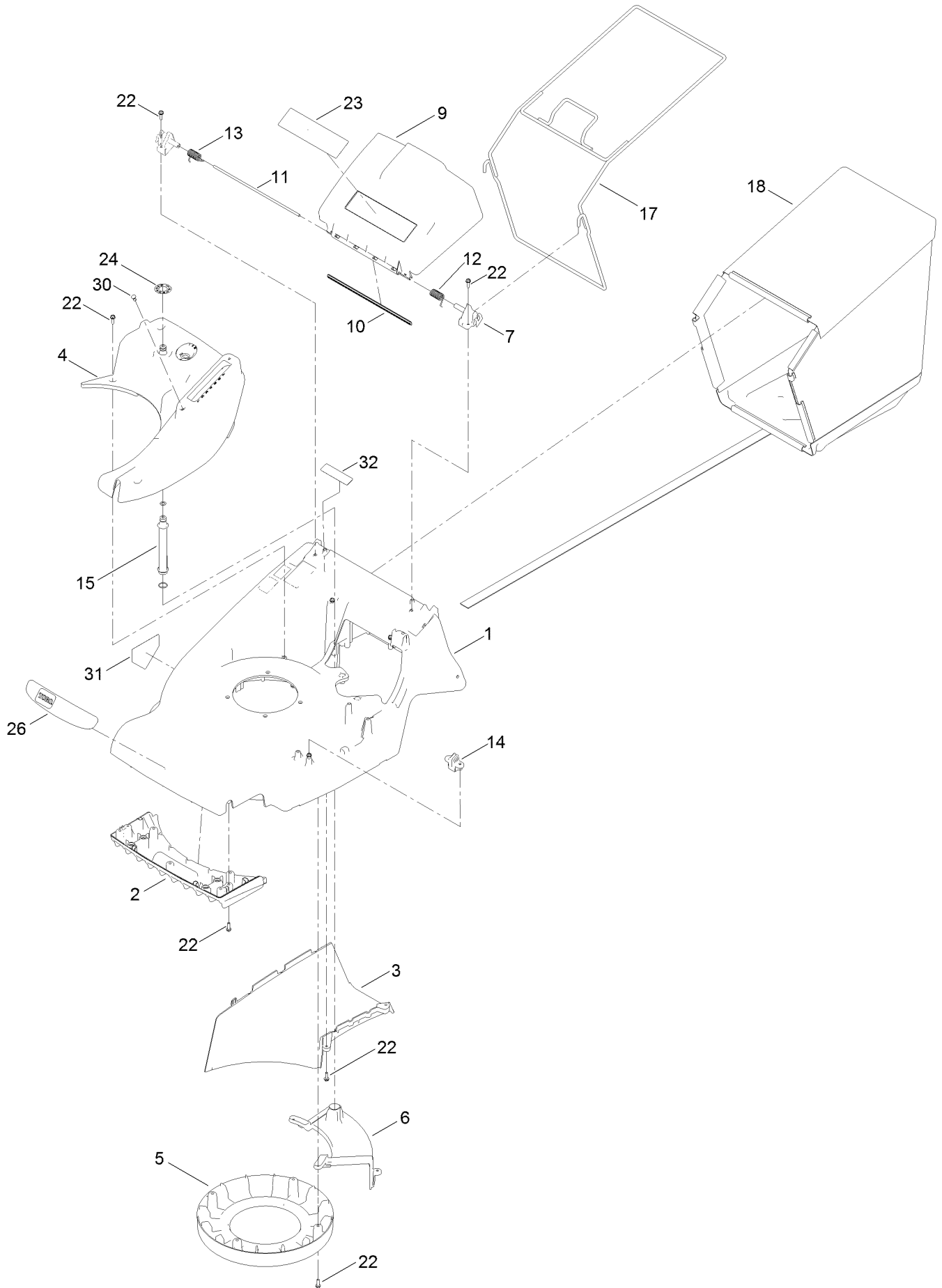
In an illustration, if a reference number indicates more than one part, the reference number has the form nX y. The n represents the quantity of the part, the X is the multiplication symbol, and the y represents the reference number.

For example, in an illustration, the reference number 2X 37 means that two of the parts identified by reference number 37 are indicated.

Contents

Deck and Bagger Assembly	4
Engine and Blade Assembly	6
Traction and Height-of-Cut Assembly	8
Handle Assembly	10
Lower Handle Assembly No. 134-3586	12
Attachments and Accessories	14

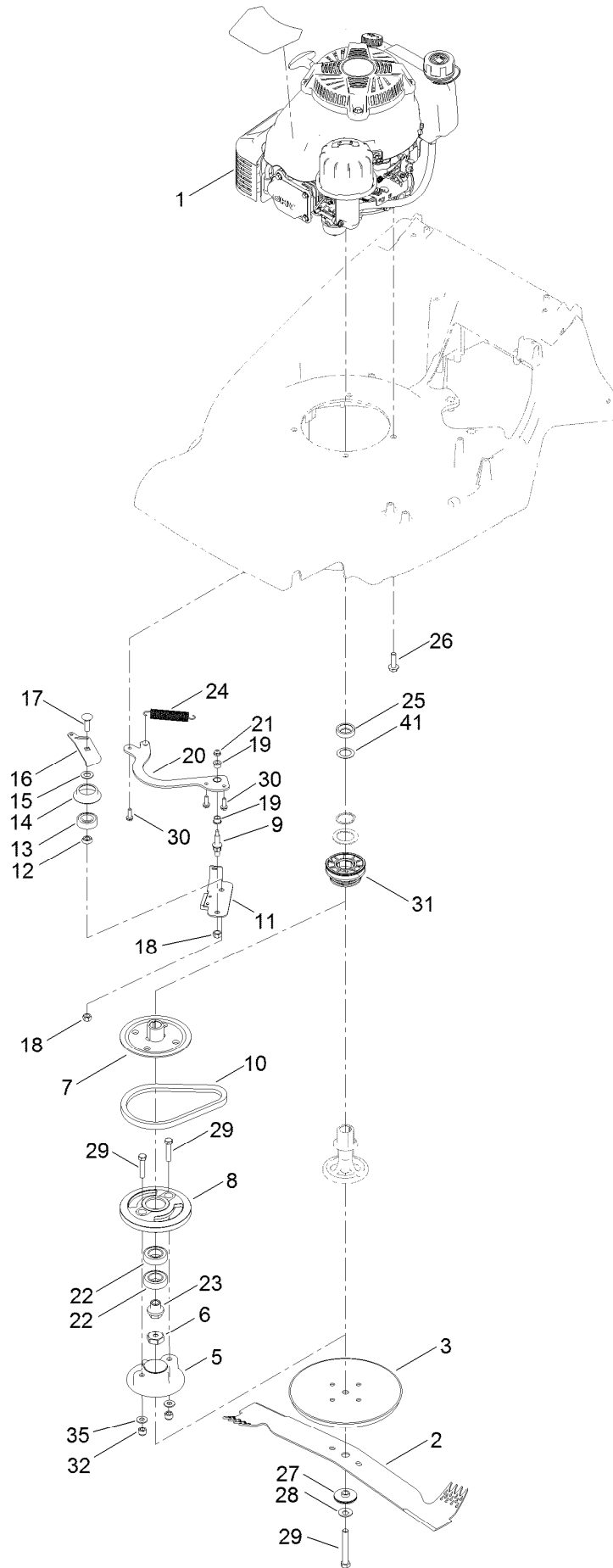
Deck and Bagger Assembly



Deck and Bagger Assembly (continued)

<i>Ref.</i>	<i>Part Number</i>	<i>Qty.</i>	<i>Description</i>	<i>Ref.</i>	<i>Part Number</i>	<i>Qty.</i>	<i>Description</i>
1	134-0332-01	1	Harrier Deck Assembly	14	134-2255	1	Rod-Support
2	134-0333	1	Fins-Front	15	134-2432	1	Washport Adapter Assembly
3	134-0334	1	Plate-Throw	17	111-8628-03	1	Grassbag-Frame
4	134-0335	1	Trim-Top	18	134-1569	1	Grassbag-Fabric, Toro
5	134-0336	1	Cover-Belt	22	09575	27	Screw-Taptite
6	134-2208-03	1	Cover-Belt	23	134-2137	1	Decal-Safety
7	111-8541	1	Mount-Deflector, Left	24	134-3333	1	Decal-Quick Wash
9	111-8647	1	Deflector-Rear	26	134-2302	1	Decal-Prostripe 560
10	111-8648	1	Deflector-Seal, Rear	30	134-0262	1	Rivet-Push, Plastic
11	111-8728	1	Rod-Deflector	31	94-8072	1	Decal-Danger
12	111-8543	1	Spring-Deflector, Left	32	133-8062	1	Decal-Arrestor, Spark
13	111-8544	1	Spring-Deflector, Right				

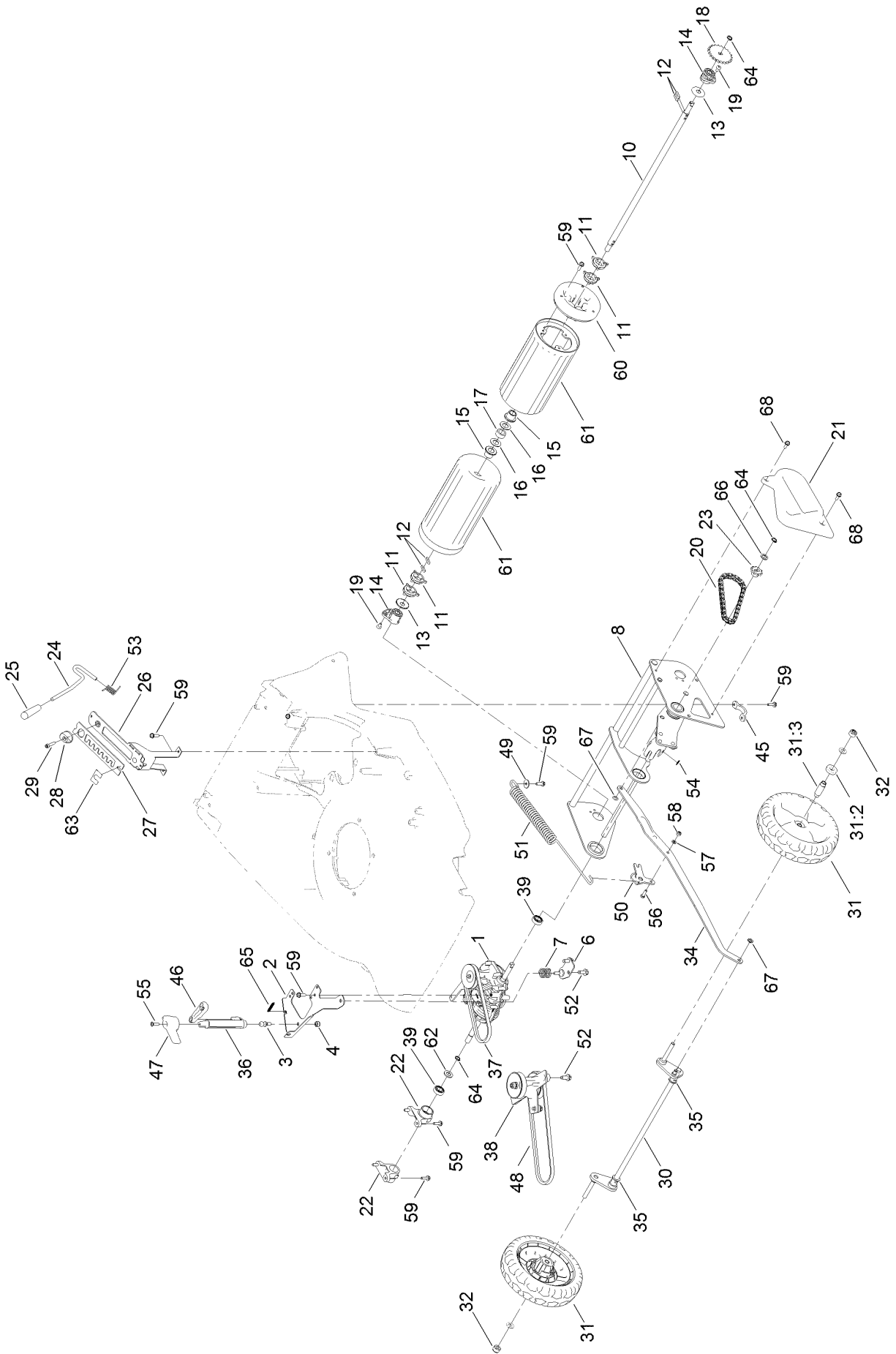
Engine and Blade Assembly



Engine and Blade Assembly (continued)

<i>Ref.</i>	<i>Part Number</i>	<i>Qty.</i>	<i>Description</i>	<i>Ref.</i>	<i>Part Number</i>	<i>Qty.</i>	<i>Description</i>
1	134-2551	1	Engine-Kawasaki, Fj180V, BBC	18	603773	2	Nut-Hex Lock
2	134-1849	1	Cutterbar, 56CM	19	130-2377	2	Bushing-Flange
3	410057W	1	Disc-Friction	20	111-8653	1	Anchor Plate Assembly
5	134-2252	1	Spacer-Blade, BBC	21	137-3005	1	Nut-HF
6	134-2648	1	Nut-Retaining	22	134-0325	2	Bearing
7	134-3983	1	Pulley-Drive	23	111-8895	1	BBC Shaft Nut
8	134-2590	1	Drum-BBC	24	108-3792	1	Spring-Tension, Brake
9	107-0759	1	Bolt-Shoulder	25	111-8828	1	Spacer-Retaining
10	110-1790	1	Belt	26	09349	4	Screw-Taptite, Unc
11	125-1063	1	Plate-Brake	27	134-3973	1	Spacer-Distance, Cutterbar
12	107-0758	1	Spacer-Bearing	28	134-3191	1	Washer-Lock
13	38-7820	1	Bearing-Ball	29	09119	3	Bolt
14	138-3217	1	Retainer-Belt	30	09575	3	Screw-Taptite
15	605256	1	Spacer	31	134-2714	1	Pulley-Engine
16	111-8855	1	Plate-Tensioner	32	09216	2	Nut-Hex, NI
17	119-4162	1	Screw-CARR	35	ZWQ1J000U	2	Washer-Plain
				41	134-2253	1	Spring-Disk

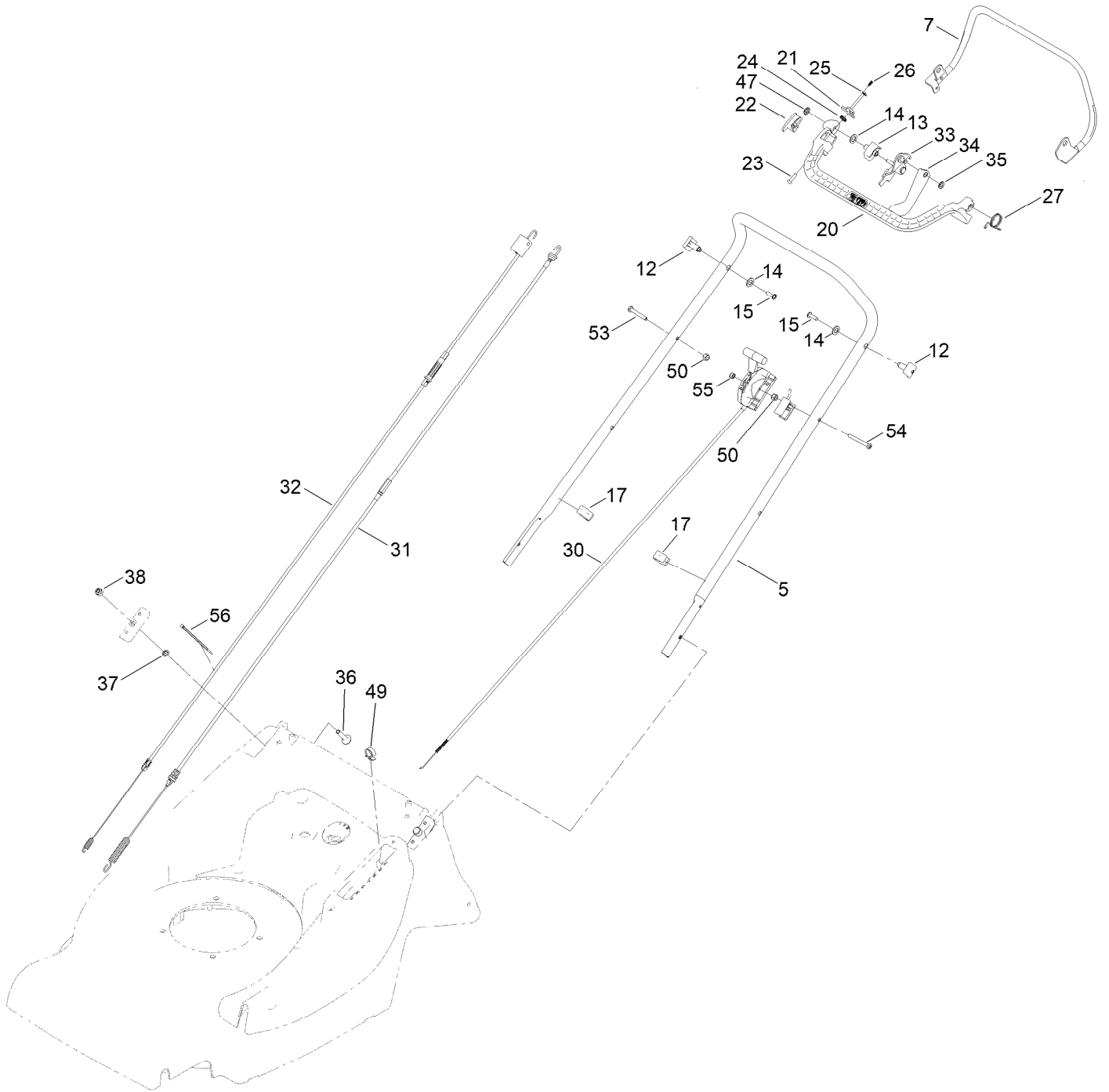
Traction and Height-of-Cut Assembly



Traction and Height-of-Cut Assembly (continued)

<i>Ref.</i>	<i>Part Number</i>	<i>Qty.</i>	<i>Description</i>	<i>Ref.</i>	<i>Part Number</i>	<i>Qty.</i>	<i>Description</i>
1	134-0348	1	Gearbox-3 Speed	32	119-4042	2	Nut-HF, NI
2	134-0386	1	Plate-Mounting, Gearbox	34	134-0365	1	Connecting Rod Assembly
3	134-2223	1	Stud-Ball	35	410069	2	Bearing-Axle, Front
4	09441	1	Nut-Hex, NI	36	134-0367	1	Rod-Selector, 3 Speed
6	134-2209	1	Gearbox Bracket Assembly	37	134-0352	1	V-Belt
7	111-8587	1	Spring-Mounting, Gearbox	38	134-2226	1	Jack Shaft Assembly
8	134-0337-03	1	Rear Axle Frame Assembly	39	134-2889	2	"bearing, Ball 12Mm"
10	134-2632	1	Shaft-Roller, Pro	45	111-8670	1	Axle- Support, Rear
11	134-2924	4	Cam-Drive	46	134-2225	1	Arm-Selector, 3 Speed
12	134-2034	4	Key-Drive	47	134-2224	1	Knob- Selector, 3 Speed
13	111-8602	2	Washer-Thrust	48	134-2295	1	V-Belt
14	134-0049	2	Bearing	49	09263	1	Washer
15	340129	2	Bushing-Roller, Oilite	50	134-2254	1	Spring Load Lever
16	480097	2	Washer	51	134-2287	1	Spring Counter Balance
17	134-0314	1	Spacer-Roller	52	134-2299	5	Screw-HWH
18	134-3806	1	Sprocket	53	480132	1	Spring-Torsion, HOC
19	134-0050	4	Screw-Taptite	54	04020	1	Grip-Fix
20	134-0355	1	Chain	55	09687	1	Screw
21	134-0372	1	Cover-Chain	56	09363	1	Screw-HH
22	134-0393	2	Mount-Bearing, Frame (Rear)	57	09472	1	Washer-Plain
23	134-3805	1	Sprocket, 10T	58	09544	1	Nut-Nyloc
24	111-8705	1	Lever-HOC	59	09575	18	Screw-Taptite
25	480134	1	Knob-HOC	60	134-2631	2	Cap-Roller, End
26	134-0358	1	HOC Tower Assembly	61	134-0315-03	2	Roller Shell Assembly
27	134-0361	1	Plate-HOC	62	134-2623	1	Washer-Thrust
28	134-0362	1	Adjuster-HOC	63	134-2620	1	Decal-HOC
29	111-4586	1	Screw-HSH	64	134-0254	3	Circlip-External, HD
30	134-2200	1	56 Front Axle Assembly	65	134-3366	1	Lever-Spring, Clutch (Return)
31	133-2639	2	Wheel	66	111-8216	1	Washer-Thrust
31:2	133-2603	2	Bearing-Ball	67	0201086	2	Washer-Starlock
31:3	125-1077	1	Spacer	68	09365	2	Screw-Taptite

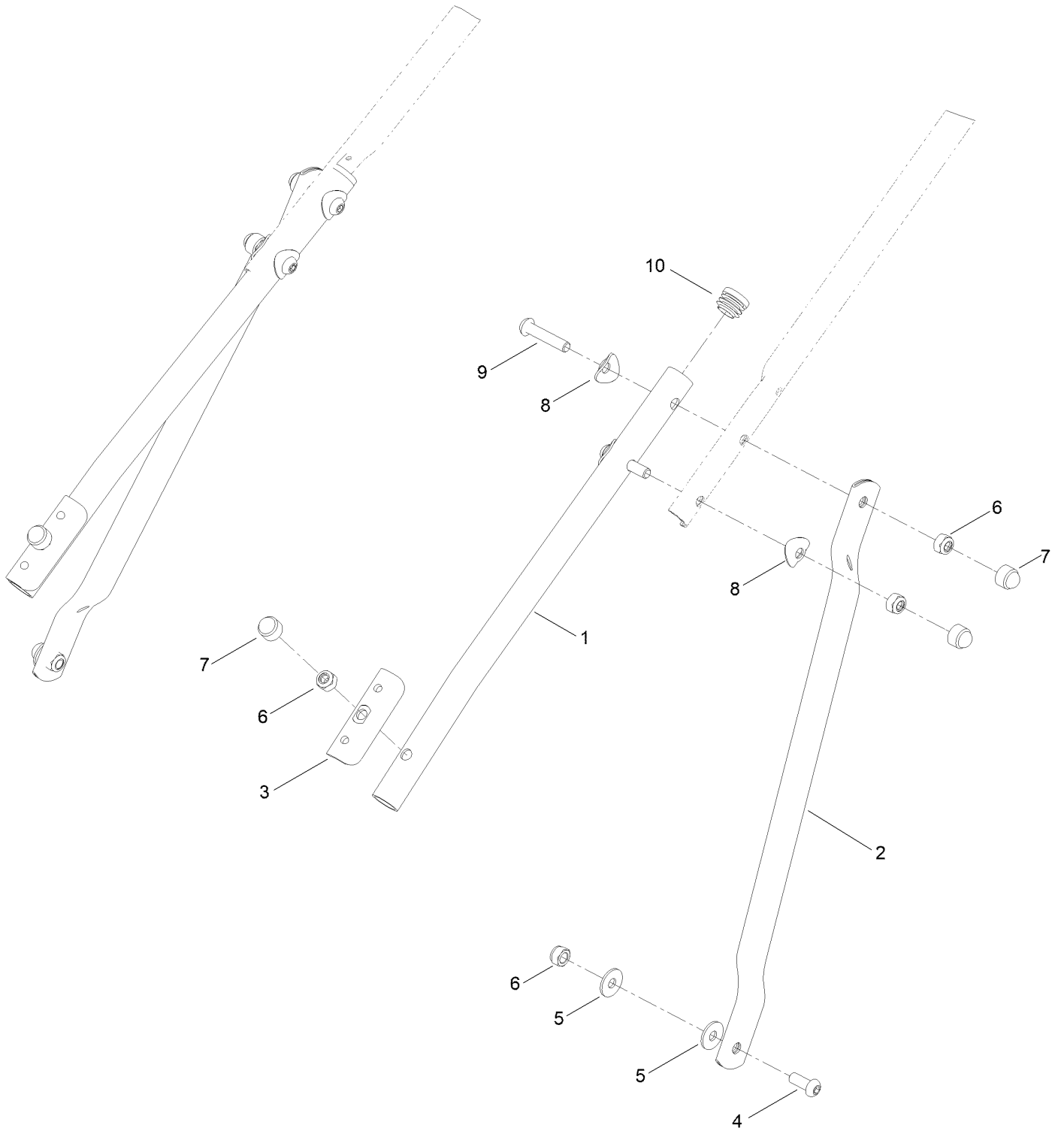
Handle Assembly



Handle Assembly (continued)

<i>Ref.</i>	<i>Part Number</i>	<i>Qty.</i>	<i>Description</i>	<i>Ref.</i>	<i>Part Number</i>	<i>Qty.</i>	<i>Description</i>
5	134-2722-03	1	Handlebar-Upper	31	134-2298	1	Cable
7	111-9381-03	1	Lever-Clutch, Gearbox	32	111-8962	1	Clutch-Cable, 3 Speed
12	340182	1	Pin-Pivot	33	134-2612	1	Lever-Cable
13	111-8990	1	Clamp-Bar	34	134-2646	1	Linkage Plate Assembly
14	09688	2	Washer-Nylon	35	0201086	1	Washer-Starlock
15	09687	1	Screw	36	09379	2	Bolt-Coach
17	410037	2	Guide-Cable	37	04020	2	Grip-Fix
20	134-2608	1	Arm-Bail	38	09441	2	Nut-Hex, NI
21	111-8903	1	Lever-Catch	47	134-3208	1	Starlock-Domed
22	134-3190	1	Latch-Button	49	111-8696	1	Clip-Conduit, Twin
23	111-8908	1	Latch-Pin	50	137-3088	1	Nut-Hex
24	111-8906	1	Lever-Bail, Spring	53	05010	1	Bolt
25	111-0718	1	Fastener-Starlock, Push-On	54	09780	1	Setscrew
26	134-2027	1	Clip-Tree	55	09438	1	Nut-Nyloc
27	134-2284	1	Lever-Bail Arm, Spring	56	HY3966	1	Tie-Cable
30	111-8959	1	Throttle-Control				

Lower Handle Assembly No. 134-3586



Lower Handle Assembly No. 134-3586 (continued)

<i>Ref.</i>	<i>Part Number</i>	<i>Qty.</i>	<i>Description</i>	<i>Ref.</i>	<i>Part Number</i>	<i>Qty.</i>	<i>Description</i>
1	134-2499-03	2	Handlebar Lower (Prostripe)	6	09441	6	Nut-Hex, NI
2	134-2900-03	2	Prostripe Brace Handlebar	7	HY234051	6	Cap-Nut
3	340028	2	Plate-Clamp, Handlebar	8	137-3009	6	Washer-Cup
4	ZHS1H020U	2	Screw-HSBH	9	134-3821	4	Screw-Hsbw
5	09267	4	Washer-Plain	10	300160	2	Plug-Tube

Attachments and Accessories

For 02657 ProStripe 560 Mower

Product Name	Model/Part
Brush Kit, 56Inch	134-2326
Crankshaft Kit, Kawasaki FJ180BBC.....	134-3778

Notes:



Count on it.