



Count on it.

Parts Catalog

Front Tine Tiller/Cultivator

Model No. 58604—Serial No. 321000001 and Up



Ordering Replacement Parts

To order replacement parts, please supply the part number, the quantity, and the description of each part desired.

Understanding Reference Numbers

Each identified part in an illustration has a reference number. The reference number for a part also appears in the parts list, along with other information about the part.

This catalog uses two special reference number formats, one to indicate parts in a service assembly and another to indicate the quantity of a given part in an illustration.

Service Assembly Reference Numbers

Parts in service assemblies have reference numbers in the form a:b. The a represents the reference number of the entire service assembly and the b represents a sequential number unique to each part within the service assembly.

For example, a wheel assembly might be identified by reference number 6, the tire by 6:1, the valve by 6:2, and the wheel by 6:3. When you order the assembly identified by reference number 6, you receive all parts identified by reference numbers 6:1, 6:2, and 6:3. However, you may also order any part individually. Reference numbers of this type appear in illustration and in parts lists.

Reference Numbers Indicating Quantity

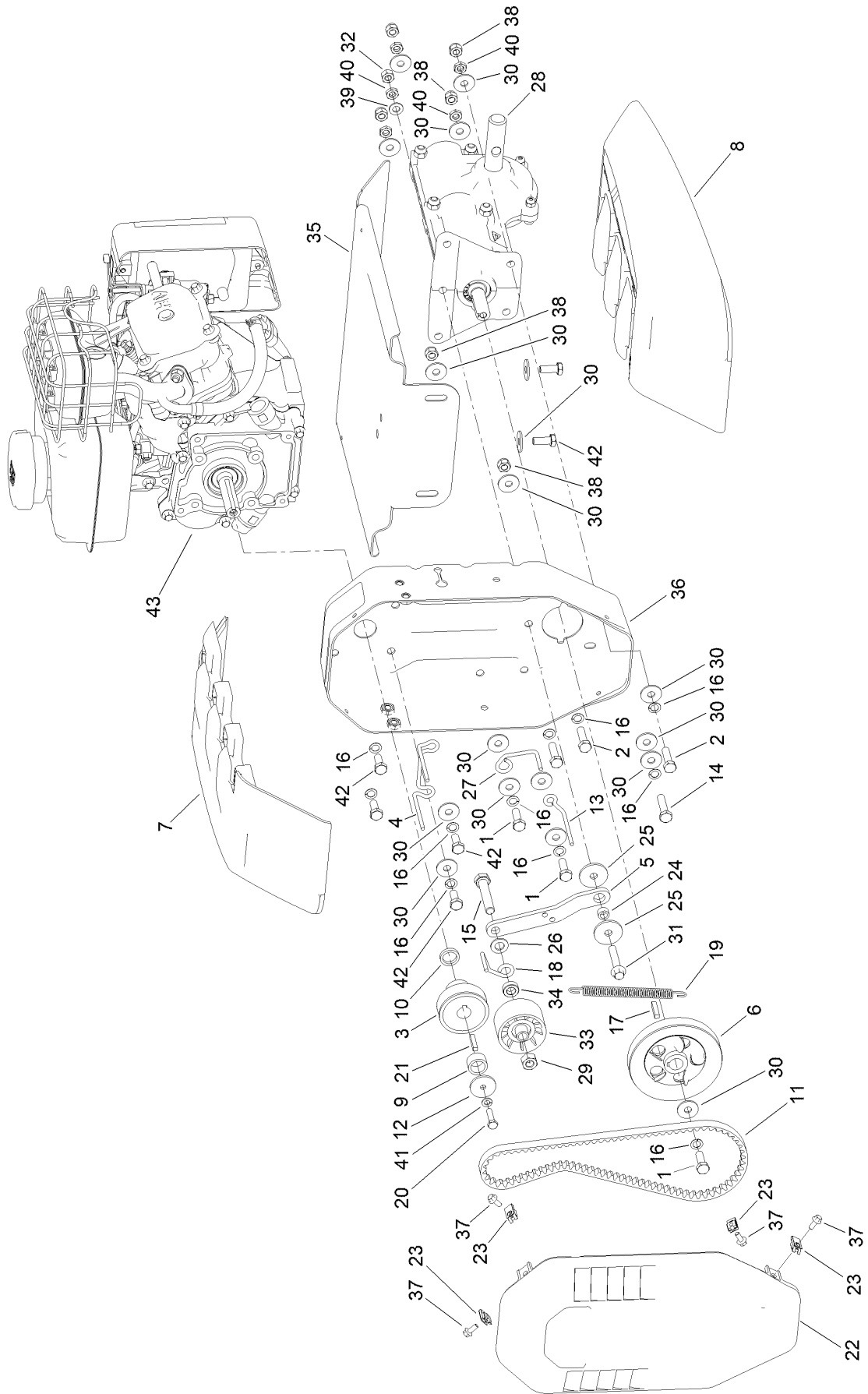
In an illustration, if a reference number indicates more than one part, the reference number has the form nX y. The n represents the quantity of the part, the X is the multiplication symbol, and the y represents the reference number.

For example, in an illustration, the reference number 2X 37 means that two of the parts identified by reference number 37 are indicated.

Contents

Chassis Assembly 4
Tines and Transmission Assembly 6
Handles and Controls Assembly 8
Engine Assembly No. 147-4289 10

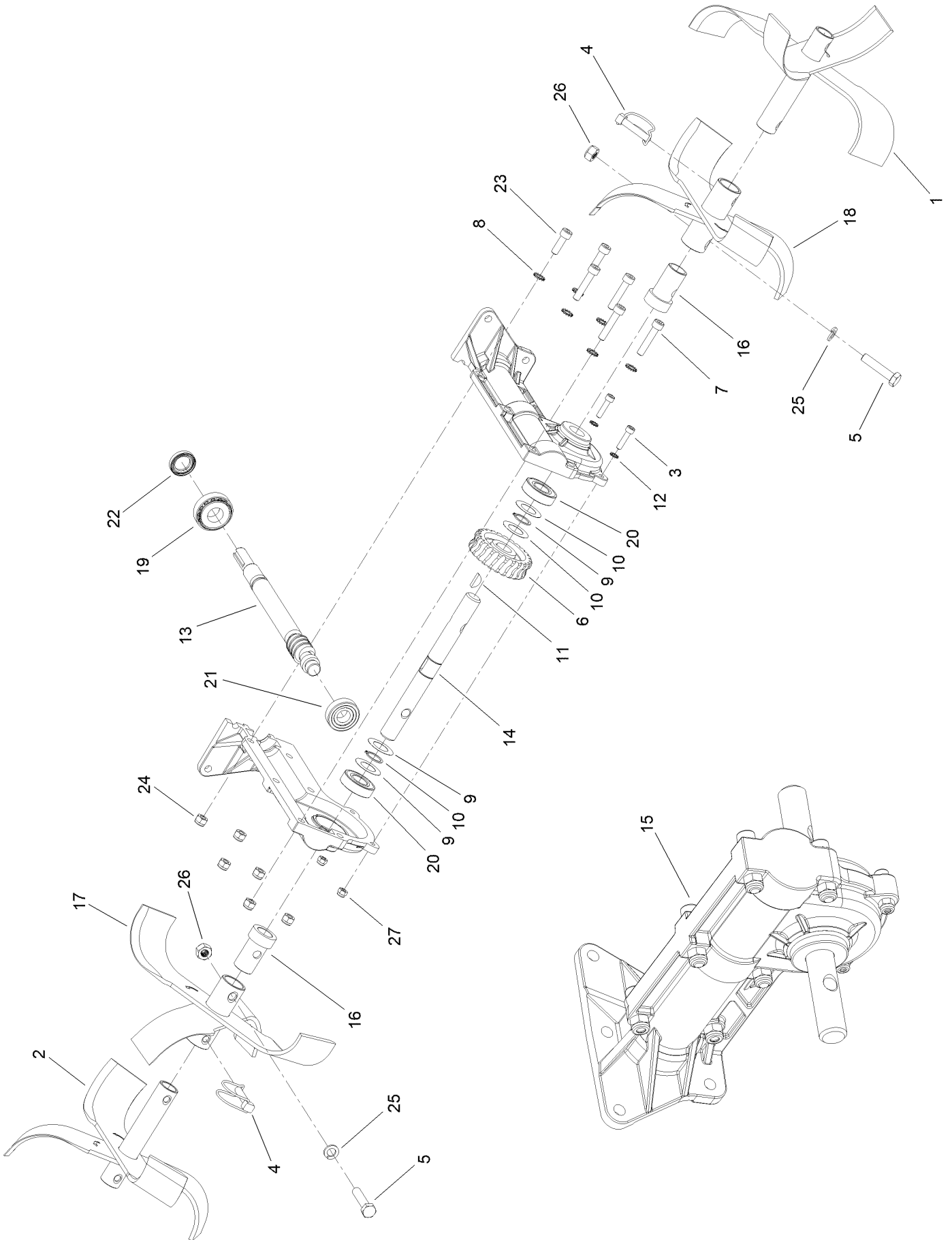
Chassis Assembly



Chassis Assembly (continued)

<i>Ref.</i>	<i>Part Number</i>	<i>Qty.</i>	<i>Description</i>	<i>Ref.</i>	<i>Part Number</i>	<i>Qty.</i>	<i>Description</i>
1	144-4880	3	Screw-HHCS	23	144-4922	4	Cage Nut
2	144-4887	3	Screw-HHCS	24	144-4923	1	Bushing
3	144-4889	1	Pulley-16MM	25	144-4924	2	Washer-Wide
4	144-4895	1	Belt Guide-Double	26	144-4688	1	Washer-Plain
5	144-4896	1	Arm	27	144-4828	1	Guide-Belt
6	144-4898	1	Pulley-Transmission	28	144-4929	1	Mount-Transmission
7	144-4899	1	Shield-Left	29	144-4935	1	Nut-Hex
8	144-4900	1	Shield-Right	30	144-4936	18	Washer-Flat
9	144-4901	1	Bushing	31	144-4937	1	Screw-HHF
10	144-4902	1	Bushing	32	144-4939	1	Nut-Hex
11	144-4903	1	Belt	33	144-4940	1	Pulley-Idler
12	144-4904	1	Washer-Flat	34	144-4945	1	Spacer-18MM
13	144-4905	1	Belt Guide-Single	35	144-4949	1	Shield-Center
14	144-4907	1	Screw-HHCS	36	144-4954	1	Box-Pulley
15	144-4908	1	Screw-HHCS	37	144-4955	4	Screw-HHF
16	144-4909	11	Washer-Lock	38	144-4738	6	Nut-Hex
17	144-4916	1	Key-Square	39	144-4958	1	Washer-Flat
18	144-4917	1	Belt Catch	40	144-4755	5	Nut
19	144-4918	1	Tension Spring	41	144-4962	1	Washer-Lock
20	144-4919	1	Screw-HHCS	42	144-4965	6	Screw-HHCS
21	144-4920	1	Key-Square	43	147-4289	1	Engine-Rato, R100
22	144-4921	1	Cover-Pulley				

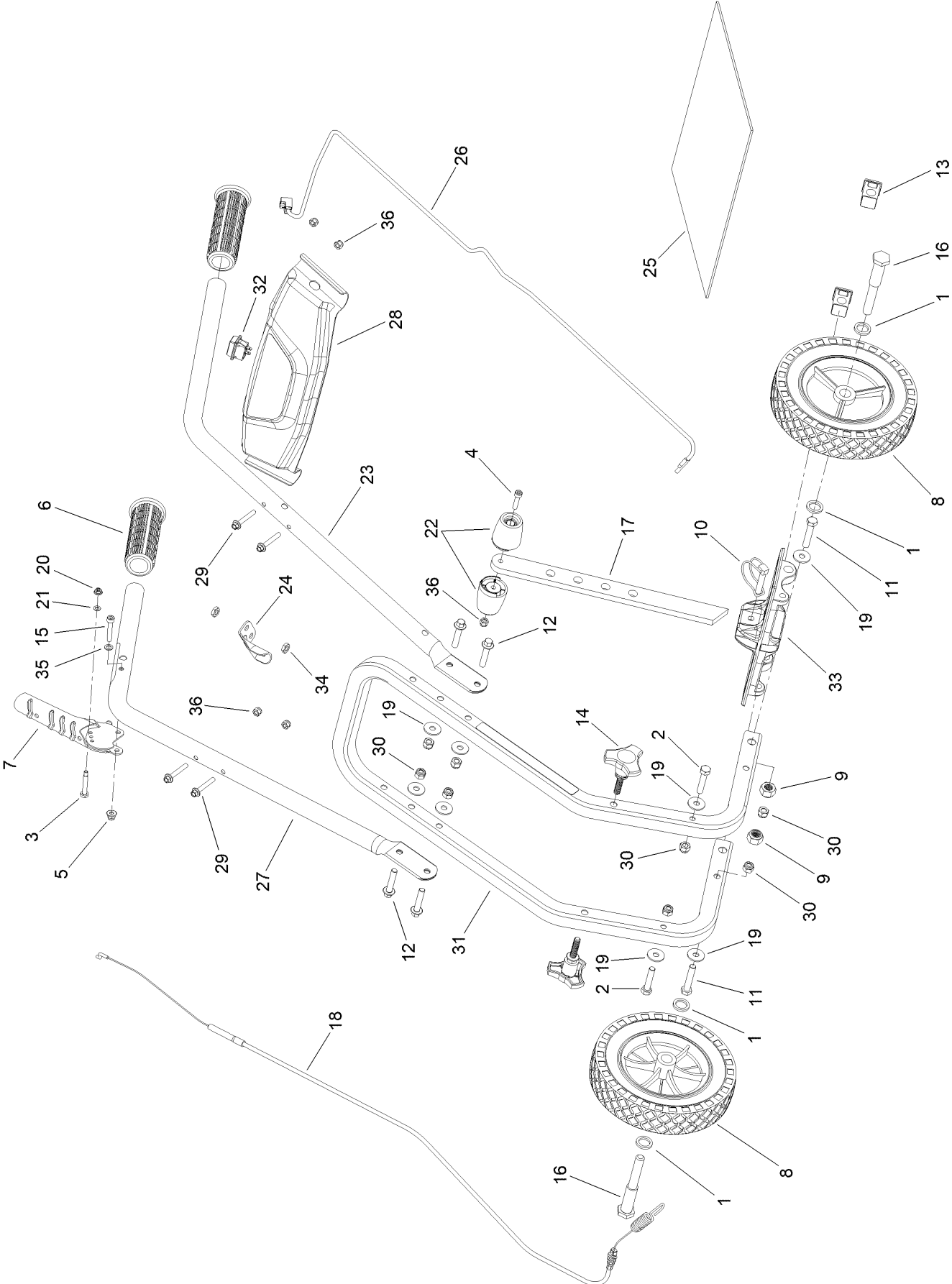
Tines and Transmission Assembly



Tines and Transmission Assembly (continued)

<i>Ref.</i>	<i>Part Number</i>	<i>Qty.</i>	<i>Description</i>	<i>Ref.</i>	<i>Part Number</i>	<i>Qty.</i>	<i>Description</i>
1	144-4882	1	Tine-Outside Left	15	144-4929	1	Mount-Transmission
2	144-4883	1	Tine-Outside Right	16	144-4930	2	Sleeve-Tine
3	144-4884	2	Screw-SHCS	17	144-4931	1	Tine-Inside Right
4	144-4685	2	Pin-Clevis, Locking	18	144-4932	1	Tine-Inside Left
5	144-4892	2	Screw-HHCS	19	144-4934	1	Bearing-Roller
6	144-4897	1	Gear	20	144-4942	2	Bearing-Roller
7	144-4910	4	Screw-SHCS	21	144-4943	1	Bearing-Roller
8	144-4911	6	Washer-Tooth Lock	22	144-4944	1	Seal-Oil
9	144-4912	4	Spacer-Bearing	23	144-4957	2	Screw-SHCS
10	144-4913	2	Ring-Retaining	24	144-4738	6	Nut-Hex
11	144-4914	1	Key-Woodruff	25	144-4963	2	Washer-Lock
12	144-4915	2	Washer-Tooth Lock	26	144-4964	2	Nut-Hex
13	144-4925	1	Drive Shaft	27	144-4836	2	Nut-Hex
14	144-4928	1	Tine Shaft				

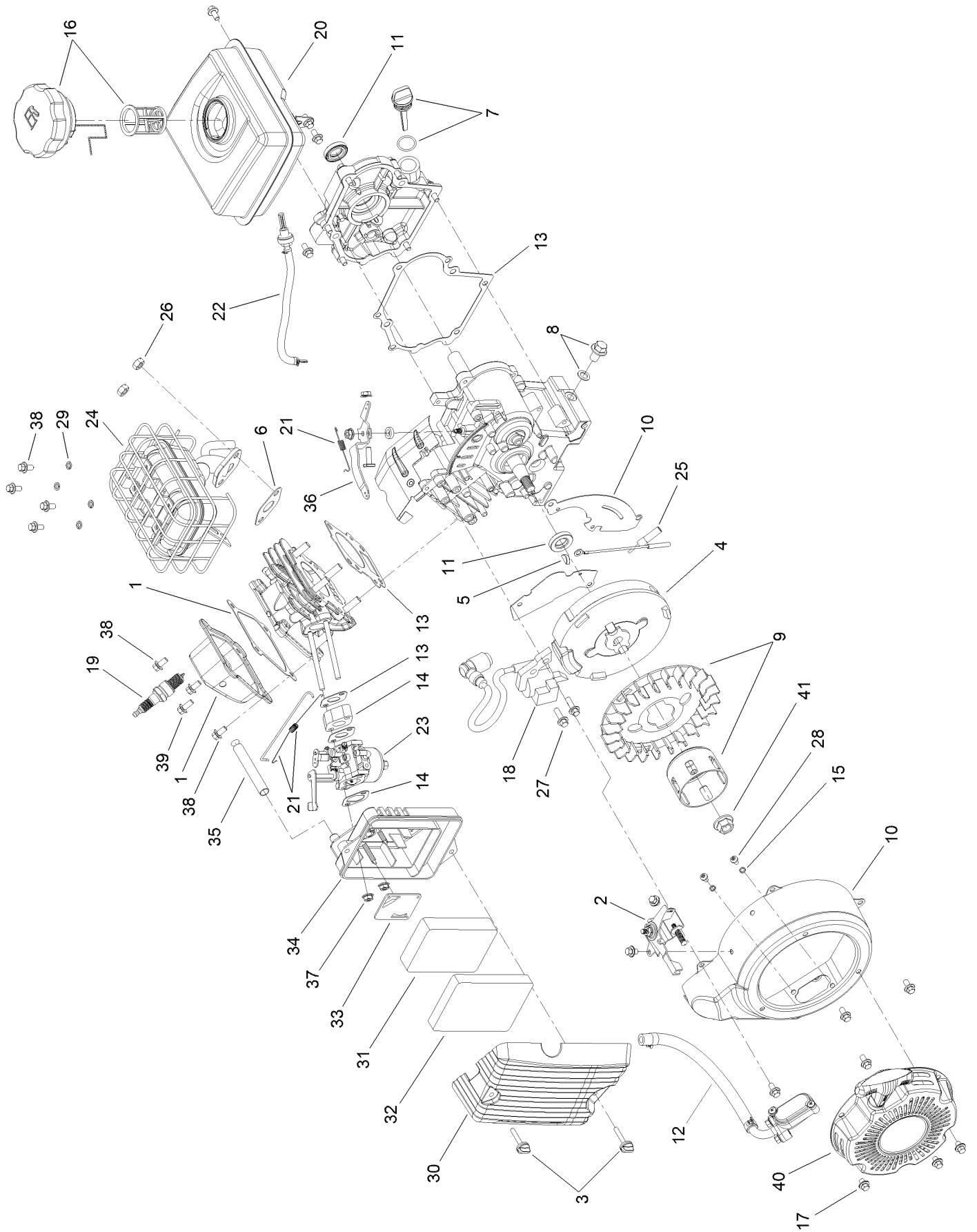
Handles and Controls Assembly



Handles and Controls Assembly (continued)

<i>Ref.</i>	<i>Part Number</i>	<i>Qty.</i>	<i>Description</i>	<i>Ref.</i>	<i>Part Number</i>	<i>Qty.</i>	<i>Description</i>
1	144-4875	4	Washer-Flat	19	144-4936	8	Washer-Flat
2	144-4876	2	Screw-HH	20	144-4938	1	Nut-Hex
3	144-4877	1	Screw-HH	21	144-4941	1	Washer-Flat
4	144-4878	1	Screw-SHCS	22	144-4946	2	Handle
5	144-4879	1	Nut-Hex	23	144-4947	1	Handlebar-Left
6	144-4881	2	Grip	24	144-4948	1	Bracket-Cable
7	144-4885	1	Lever-Clutch	25	144-4950	1	Bag-Manual
8	144-4886	2	Wheel	26	144-4951	1	Harness-Wiring
9	144-4888	2	Nut-Hex	27	144-4952	1	Handlebar-Right
10	144-4685	1	Pin-Clevis, Locking	28	144-4953	1	Dash-Tiller
11	144-4890	2	Screw-HH	29	144-4956	4	Screw-HHF
12	144-4891	4	Screw-RHF	30	144-4738	8	Nut-Hex
13	144-4893	2	Plug-Square	31	144-4959	1	Frame
14	144-4894	2	Knob	32	144-4960	1	Switch
15	144-4906	1	Screw-SHCS	33	144-4961	1	Holder-Drag Stake
16	144-4926	2	Screw-Shoulder	34	144-4755	2	Nut
17	144-4927	1	Drag Stake	35	144-4777	1	Washer
18	144-4933	1	Cable	36	144-4836	5	Nut-Hex

Engine Assembly No. 147-4289



Engine Assembly No. 147-4289 (continued)

<i>Ref.</i>	<i>Part Number</i>	<i>Qty.</i>	<i>Description</i>	<i>Ref.</i>	<i>Part Number</i>	<i>Qty.</i>	<i>Description</i>
1	144-5102	1	Valve Cover Kit	22	144-5123	1	Fuel Line Kit
2	144-5103	1	Conrol-Throttle	23	144-5124	1	Carburetor
3	144-5104	2	Screw-TMBS	24	144-5125	1	Muffler
4	144-5105	1	Flywheel	25	144-5126	1	Ignition Kit
5	144-5106	1	Key-Woodruff	26	144-4939	2	Nut-Hex
6	144-5107	1	Gasket-Exhaust	27	144-5127	2	Screw-RHF
7	144-5108	1	Dipstick	28	144-5128	2	Screw-PPHMS
8	144-5109	1	Plug-Oil	29	144-5129	4	Washer-Lock
9	144-5110	1	Fan Kit	30	144-5130	1	Cover-Air Cleaner
10	144-5111	1	Blower Housing Kit	31	144-5131	1	Cap-Air Filter
11	144-5112	2	Seal-Oil	32	144-5132	1	Base-Air Filter
12	144-5113	1	Auxiliary Intake Kit	33	144-5133	1	Plate-Air Filter
13	144-5114	1	Gaskets-Engine	34	144-5134	1	Box-Air Filter
14	144-5115	1	Gaskets-Carburetor	35	144-5135	1	Tube-Breather
15	144-5116	2	Washer-Lock	36	144-5136	1	Arm-Governor
16	144-5117	1	Fuel Cap Kit	37	144-5137	4	Nut-Hex
17	144-5118	5	Screw-RHF	38	144-5138	14	Screw-RHF
18	144-5119	1	Coil-Ignition	39	144-5139	1	Screw-RHF
19	144-5120	1	Spark Plug	40	144-5140	1	Recoil
20	144-5121	1	Fuel Tank Kit	41	144-5141	1	Nut-Hex
21	144-5122	1	Throttle Linkage Kit				



Count on it.