



Count on it.

Parts Catalog

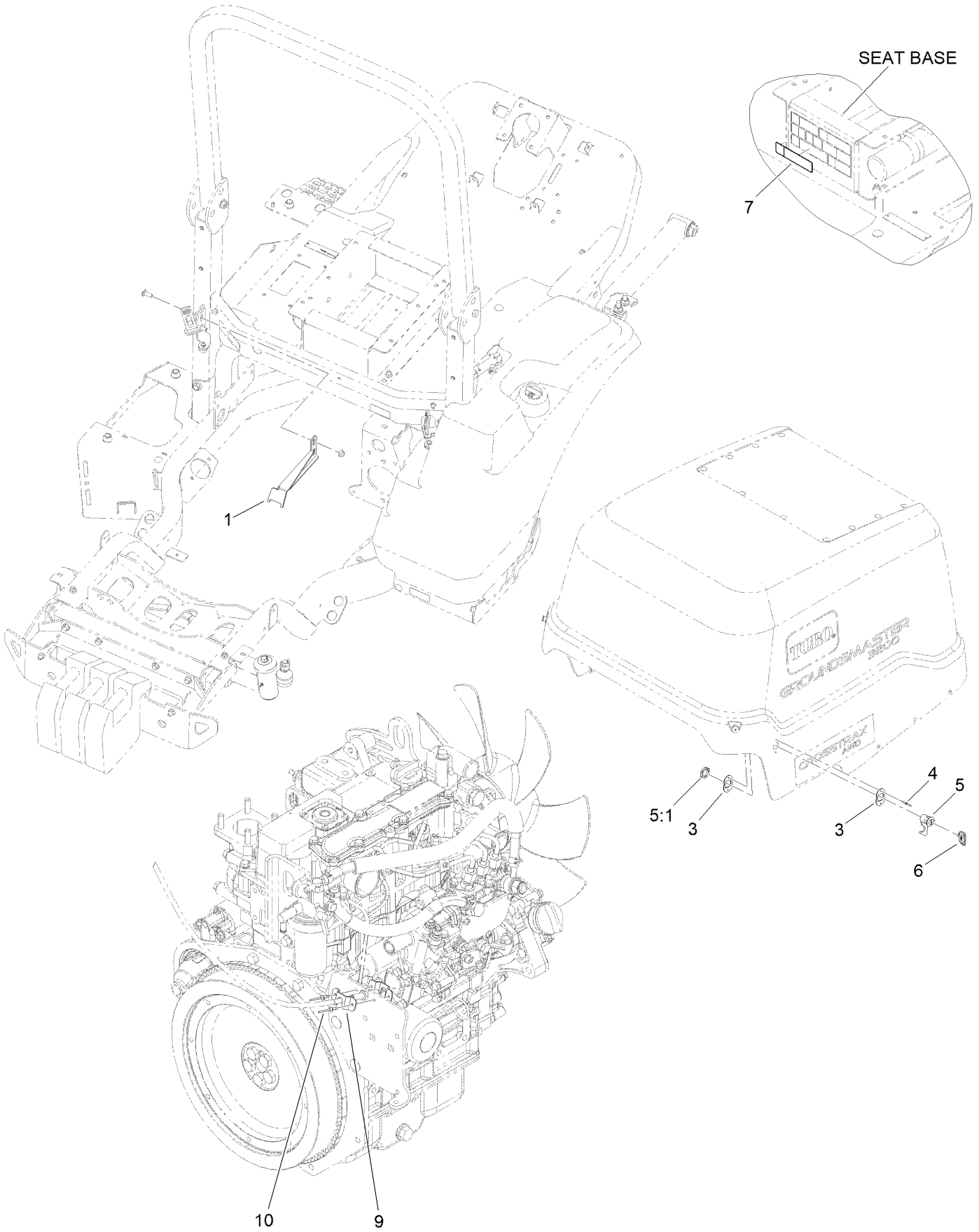
CE Kit

**Groundsmaster® 3200 or 3300 Series
Traction Unit**

Model No. 31953



CE Kit Assembly



24 HP ONLY
(MODELS 31900, 31901)

CE Kit Assembly (continued)

<i>Ref.</i>	<i>Part Number</i>	<i>Qty.</i>	<i>Description</i>	<i>Ref.</i>	<i>Part Number</i>	<i>Qty.</i>	<i>Description</i>
1	140-1581-03	1	Bracket-Latch	6	99-8970	1	Key-Latch, Hood
3	140-1582	2	Plate-Latch	7	144-3952	1	Decal-Slope
4	3290-415	2	Rivet	9	140-7194	2	Guard-Throttle Cable
5	98-5398	1	Latch	10	3269-13	2	Rivet-Pop
5:1	3218-20	1	Nut-Jam				