



Reelmaster[®] 4000-D

2 and 4 Wheel Drive Traction Unit

Model No. 03706—220000201 and Up

Model No. 03707—220000201 and Up

Parts Catalog

Ordering Replacement Parts

To order replacement parts, please supply: the part number, the quantity, and the description of each part desired.

Understanding Reference Numbers

Each identified part in an illustration has a reference number. The reference number for a part also appears in the parts list, along with other information about the part.

This catalog uses two special reference number formats, one to indicate parts in a service assembly and another to indicate the quantity of a given part in an illustration.

Service Assembly Reference Numbers

Parts in service assemblies have reference numbers in the form **a:b**. The **a** represents the reference number of the entire service assembly and the **b** represents a sequential number unique to each part within the service assembly.

For example, a wheel assembly might be identified by reference number **6**, the tire by **6:1**, the valve by **6:2**, and the wheel by **6:3**. When you order the assembly identified by reference number **6**, you receive all parts identified by reference numbers **6:1**, **6:2**, and **6:3**. However, you may also order any part individually.

Reference numbers of this type appear in illustrations and in part lists.

Reference Numbers Indicating Quantity

In an illustration, if a reference number indicates more than one part, the reference number has the form **nX y**. The **n** represents the quantity of the part, the **X** is the multiplication symbol, and the **y** represents the reference number.

For example, in an illustration, the reference number **2X 37** means that two of the parts identified by reference number **37** are indicated.

Contents

| Description | Page | Description | Page |
|--|-------------|---|-------------|
| Foot Rest and Traction Pedal Assembly | 4 | Hydraulic Circuit – Traction and Steering Circuit | 52 |
| Floor Plate Assembly | 6 | Hydraulic Circuit – Traction and Steering Circuit | 53 |
| Steering Tower Assembly | 7 | Hydraulic Circuit – Lift Arm | 54 |
| Steering Control Assembly No. 92-9220 | 8 | Hydraulic Circuit – Lift Arm | 55 |
| Steering Tower Electrical Assembly | 9 | Hydraulic Circuit – Cutting Unit | 56 |
| Fenders and Center Console Assembly | 10 | Hydraulic Circuit – Cutting Unit | 57 |
| Instrument Panel Assembly | 11 | Electrical System Diagram | 58 |
| Parking Brake, Throttle and Oil Filter Assembly | 12 | Electrical System Diagram | 59 |
| Valve Control Assembly | 14 | 4 Wheel Drive Hydraulic Plumbing | |
| Valve Motor Spool Assembly No. 63-4800 | 16 | Assembly (only on: 03707) | 60 |
| Control Valve Assembly No. 93-1432 | 17 | Hydraulic Manifold Assembly No. 92-2982 | 61 |
| Priority Flow Control Valve | | Steering Axle Assembly (only on: 03706) | 62 |
| Assembly No. 58-5490 | 18 | Hydraulic Cylinder Assembly | |
| Seat Platform and Filler Cap Assembly | 19 | No. 77-4800 (only on: 03706) | 63 |
| Seat Assembly No. 77-4860 | 20 | Frame and Muffler Assembly (only on: 03706) . | 64 |
| Front and Rear Canopy Assembly | 21 | Crankcase Assembly | 67 |
| Radiator, Oil Cooler and Air Cleaner Assembly | 23 | Oil Pan Assembly | 68 |
| Air Filter Assembly No. 100-2597 | 25 | Cylinder Head Assembly | 69 |
| Fuel Filter Assembly No. 104-5218 | 26 | Gear Case Assembly | 70 |
| Fuel Tank and Lower Body Assembly | 27 | Valve Cover Assembly | 71 |
| Frame and Muffler Assembly (only on: 03707) . | 29 | Main Bearing Case Assembly | 72 |
| Front Carrier Assembly | 30 | Camshaft Assembly | 73 |
| Front Reel Shut-Off Assembly | 31 | Piston and Crankshaft Assembly | 74 |
| Reel Shut-Off Valve Assembly No. 58-5460 . . | 32 | Flywheel Assembly | 75 |
| Front lift Arm and A-Frame Assembly | 33 | Fuel Camshaft Assembly | 76 |
| Reel Motor Assembly No. 93-1412 | 34 | Engine Stop Lever Assembly | 77 |
| Hydraulic Cylinder Assembly No. 104-5225 . . | 35 | Injection Pump Assembly | 78 |
| Rear Lift Arm and Shut-Off Assembly | 36 | Injection Pump Assembly No. 98-7606 | 79 |
| Front Wheel and Motor Assembly | 38 | Governor Assembly | 80 |
| Wheel Motor Assembly No. 58-5430 | 39 | Speed Control Plate Assembly | 81 |
| Rear Axle Assembly (only on: 03707) | 40 | Nozzle Holder and Glow Plug Assembly | 82 |
| Tie Rod Assembly | | Nozzle Holder Assembly No. 98-7688 | 83 |
| No. 82-9260-03 (only on: 03707) | 42 | Fuel Pump Assembly | 85 |
| Hydraulic Motor Assembly | | Alternator and Pulley Assembly | 86 |
| No. 104-5233 (only on: 03707) | 43 | Alternator Assembly No. 98-7693 | 87 |
| Hydraulic Cylinder Assembly | | Starter Assembly | 88 |
| No. 92-6057 (only on: 03707) | 44 | Starter Assembly No. 98-7734 | 89 |
| Engine Installation Assembly | 45 | Oil Switch and Plug Assembly | 90 |
| Engine Attachment Assembly | 46 | Water Flange and Thermostat Assembly | 91 |
| Hydraulic Pump Assembly | 47 | Water Pump Assembly | 92 |
| Gear Pump Assembly No. 99-6495 | 48 | Valve and Rocker Assembly | 93 |
| Variable Piston Pump Assembly No. 99-6494 . | 49 | Inlet Manifold Assembly | 94 |
| Pump Assembly No. 86-6000-01 | 50 | Exhaust Manifold Assembly | 95 |
| Roll Over Protection System Assembly (only on: 03707) | 51 | | |

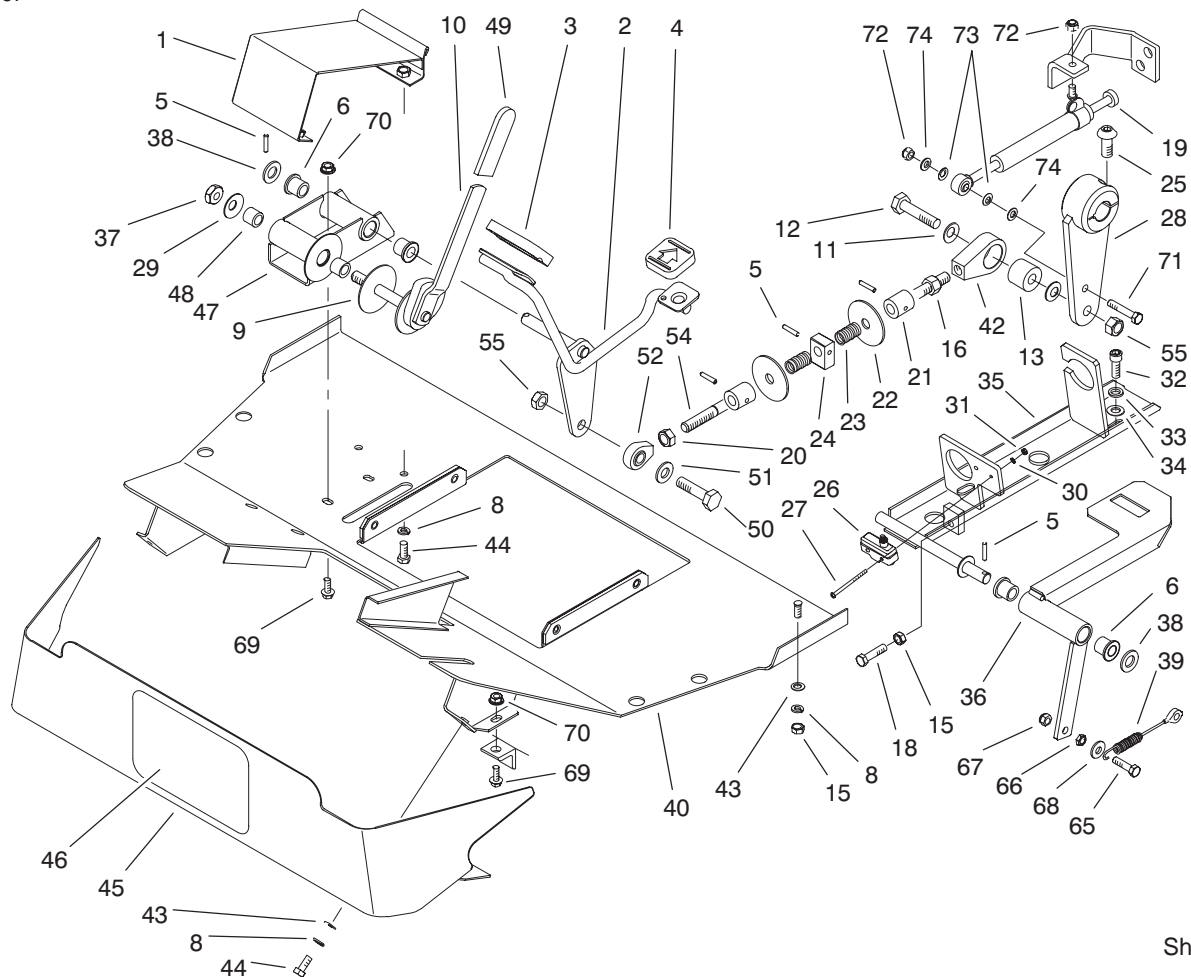
Accessories

| Description | Model / Part No. | Description | Model / Part No. |
|---|------------------|------------------------------------|------------------|
| Fixed Head Kit | 03762 | Skid Kit | 03744 |
| Whole Front Roller Kit | 03740 | Rear Roller Scraper Kit | 59-6090 |
| Flotation Kit (incl. HOC adj gauge bar) | 03760 | Front Roller Scraper Kit | 62-6220 |
| Front Roller Kit | 03742 | Spark Arrester Muffler (2WD) | 74-2900 |
| Sectional Front Roller Kit | 03738 | Spark Arrester Muffler (4WD) | 92-6074 |

Part Description Abbreviations

Part descriptions in this catalog may include the following abbreviations.

| Abbreviation | Meaning | Abbreviation | Meaning |
|--------------|-----------------------------------|--------------|-------------------------|
| AR | as required | HYD | hydraulic |
| ASM | assembly | INC | incorporated |
| CARR | carriage | LH | left hand |
| DEG | degrees | NI | nylon insert |
| FH | flat head | PPH | Phillips pan head |
| GA | gauge | PTH | Phillips truss head |
| HF | hex flange | PTO | power take off |
| HH | hex head | RH | right hand |
| HHF | hex head flange | SFH | slotted fillister head |
| HLH | hex lag head | SHH | slotted hex head |
| HJ | hex jam | SQH | square head |
| HOC | height-of-cut | SHWH | slotted hex washer head |
| HS | hex socket | SPH | slotted pan head |
| HSBH | hex socket button head | SRH | slotted round head |
| HSFH | hex socket flat head | STD | standard |
| HSH | hex socket head | TAP | self tapping |
| HWH | hex washer head | TTH | Torx truss head |
| HWHTF | hex washer head thread forming | WH | wing head |



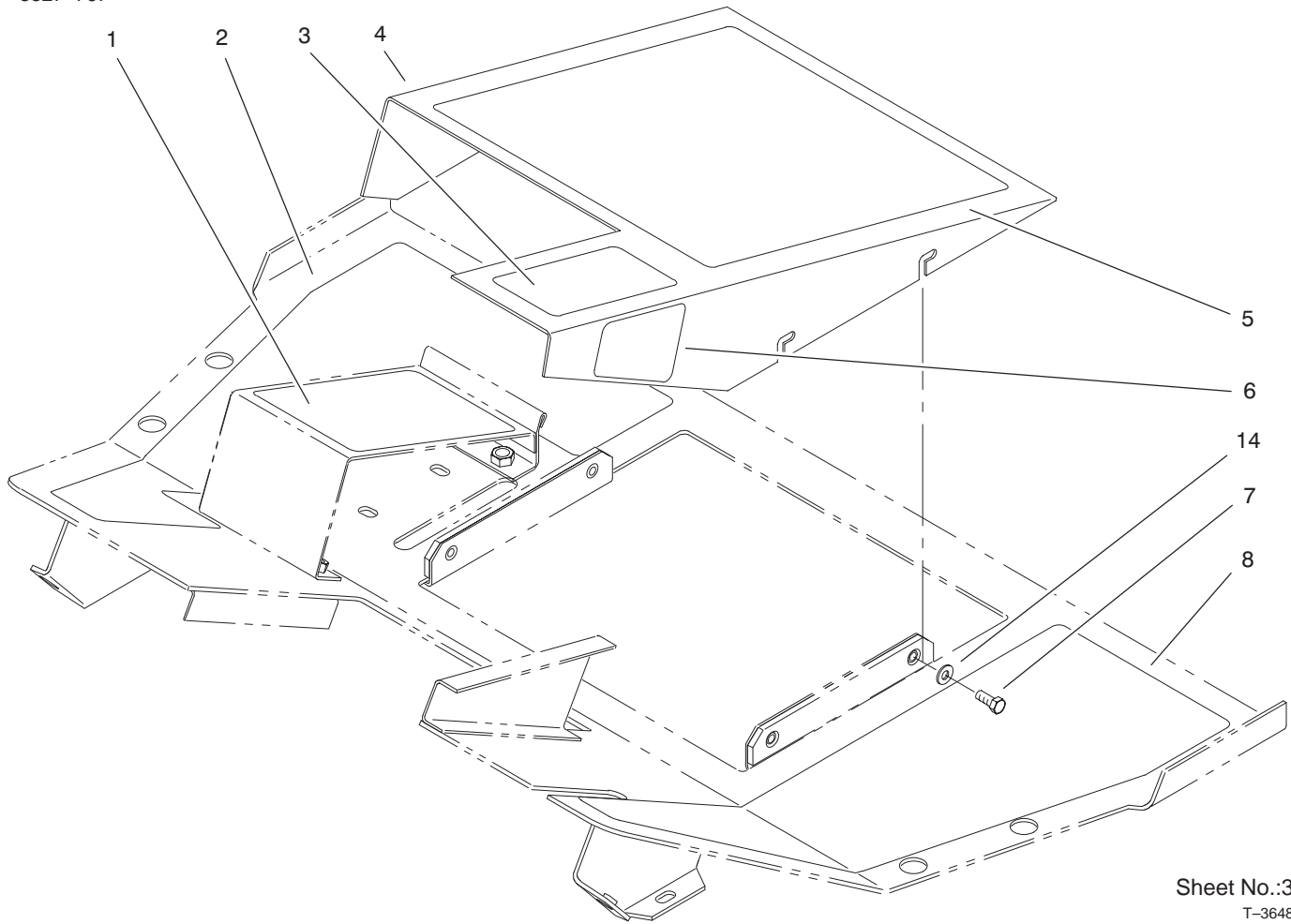
Sheet No.:2

T-3647

Foot Rest and Traction Pedal Assembly

| Ref. No. | Part No. | Qty. | Description |
|----------|------------|------|---------------------|
| 1 | 58-9580-03 | 1 | Rest-Foot |
| 2 | 60-0640-01 | 1 | Pedal-Traction |
| 3 | 74-9100 | 1 | Pad-Pedal, Forward |
| 4 | 74-9110 | 1 | Pad-Pedal, Reverse |
| 5 | 60-2110 | 5 | Pin |
| 6 | 48-6790 | 4 | Bearing |
| 8 | 42-9850 | 10 | Washer-Lock, Spring |
| 9 | 3-2858 | 1 | Disc-Friction |
| 10 | 60-1130 | 1 | Lever-Gsc |
| 11 | 3290-483 | 3 | Washer |
| 12 | 325-9 | 1 | Screw-HH |
| 13 | 47-7030 | 1 | Bushing-Rubber |
| 15 | 33014-00 | 5 | Nut-Hex |
| 16 | 3217-9 | 1 | Nut-HH |
| 18 | 48-7740 | 2 | Screw |
| 19 | 48-7100 | 1 | Damper-Steering |
| 20 | 3219-5 | 1 | Nut-Hex |
| 21 | 58-4310 | 2 | Collar-Pinned |
| 22 | 58-5100 | 2 | Washer-Traction |
| 23 | 60-5700 | 2 | Spring |
| 24 | 58-9010 | 1 | Tab-Clamp |
| 25 | 3274-89 | 1 | Screw-HSH |
| 26 | 29-6163 | 1 | Switch-Micro |
| 27 | 3249-11 | 2 | Screw |
| 28 | 98-1209-03 | 1 | Lever-Pump |
| 29 | 60-6990 | 1 | Washer |

| Ref. No. | Part No. | Qty. | Description |
|----------|------------|------|-----------------------|
| 30 | 3255-24 | 2 | Washer-Lock/Ext |
| 31 | 3217-29 | 2 | Nut-Hex |
| 32 | 3274-7 | 2 | Screw-HSH |
| 33 | 3253-5 | 2 | Washer-Lock |
| 34 | 3256-24 | 2 | Washer-Flat |
| 35 | 60-0730-01 | 1 | Bracket-Lock, Neutral |
| 36 | 92-9228-03 | 1 | Lever |
| 37 | 3296-19 | 1 | Nut-Lock NI |
| 38 | 60-6740 | 3 | Washer |
| 39 | 92-9221 | 1 | Cable ASM |
| 40 | 92-4730-03 | 1 | Plate-Floor |
| 42 | 60-0760 | 1 | Clevis-Rod, Traction |
| 43 | 33094-00 | 8 | Washer-Flat |
| 44 | 33114-020 | 7 | Screw-HH |
| 45 | 58-0400-01 | 1 | Shroud |
| 46 | 62-7400 | 1 | Decal-Logo, Toro |
| 47 | 60-0600-03 | 1 | Bracket-Pivot |
| 48 | 60-1110 | 2 | Bushing |
| 49 | 3-7877 | 1 | Grip-Handle |
| 50 | 325-7 | 1 | Screw-HH |
| 51 | 3256-26 | 1 | Washer-Flat |
| 52 | 2411-44 | 1 | End-Rod |
| 54 | 76-3430 | 1 | Rod-Traction |
| 55 | 3296-25 | 2 | Nut-Lock NI |
| 65 | 322-6 | 1 | Screw-HH |
| 66 | 3218-2 | 1 | Nut-Jam |

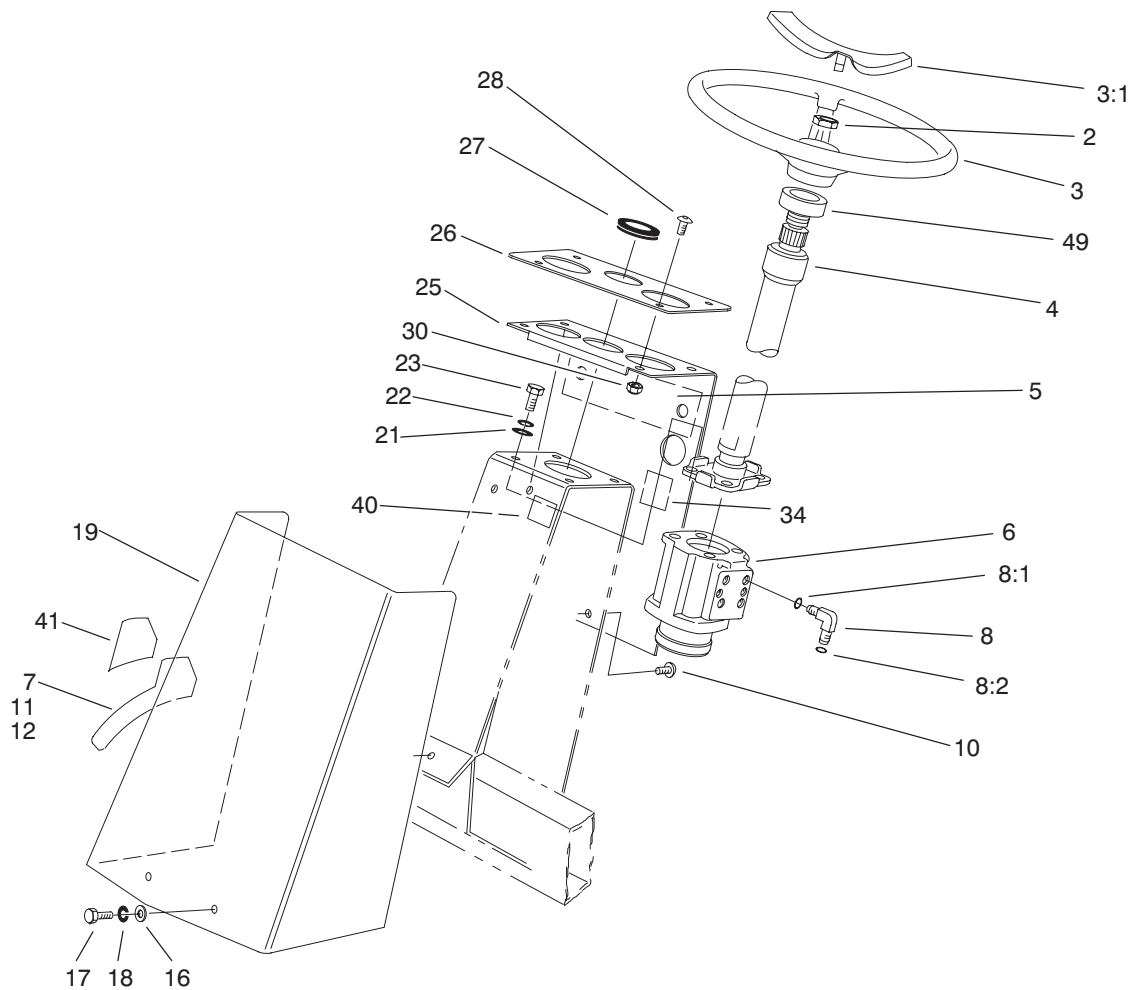


Sheet No.:3
T-3648

Floor Plate Assembly

| Ref. No. | Part No. | Qty. | Description |
|----------|------------|------|---------------------|
| 1 | 59-7280 | 1 | Pad-Pedal, Traction |
| 2 | 58-6510 | 1 | Pad-Footrest, RH |
| 3 | 62-6440 | 1 | Pad-Foot |
| 4 | 58-7390-03 | 1 | Footrest |
| 5 | 58-6630 | 1 | Pad-Floor, Center |
| 6 | 93-9409 | 1 | Decal-Latch |
| 7 | 33113-016 | 3 | Screw-HH |
| 8 | 58-6620 | 1 | Pad-Footrest, LH |
| 14 | 3256-16 | 3 | Washer-Flat |

| Ref. No. | Part No. | Qty. | Description |
|----------|----------|------|-------------|
| | | | |
| | | | |
| | | | |
| | | | |
| | | | |
| | | | |
| | | | |
| | | | |
| | | | |
| | | | |



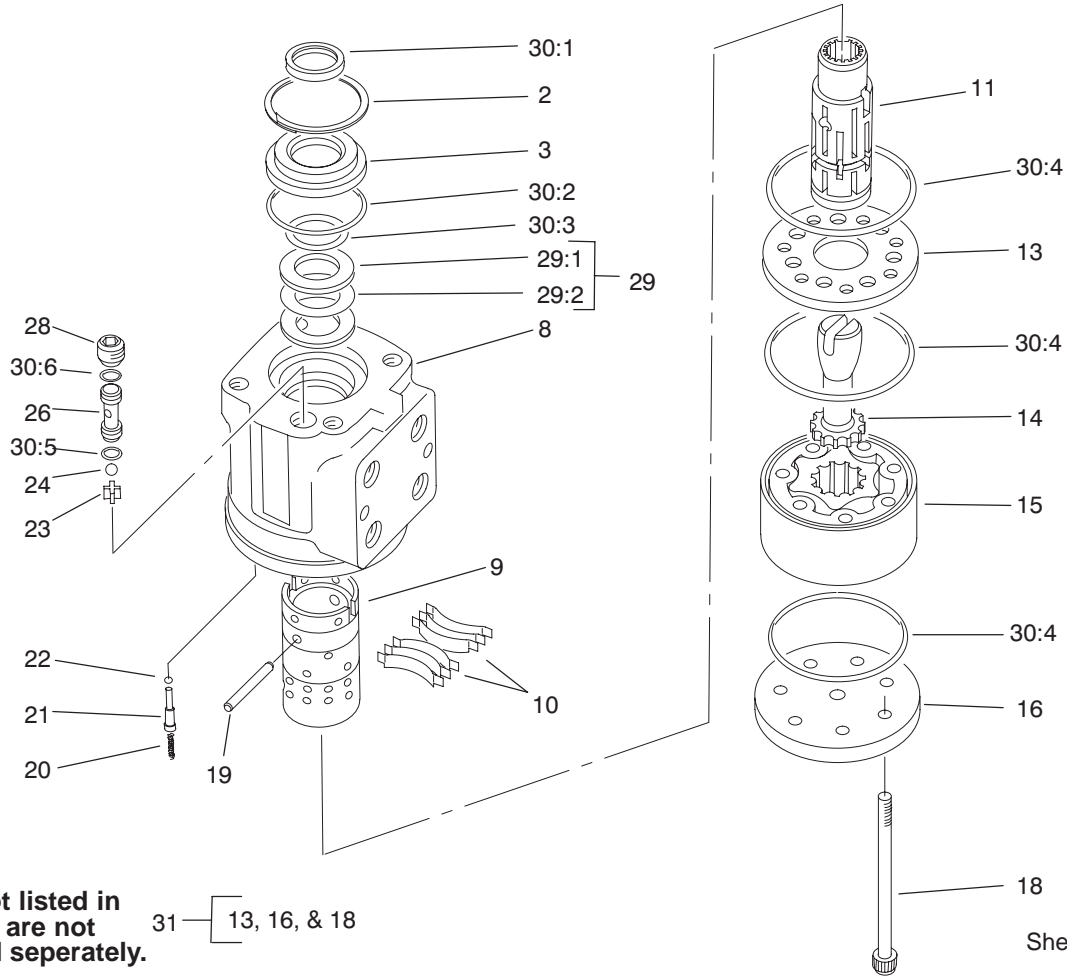
Sheet No.:4

T-3649

Steering Tower Assembly

| Ref. No. | Part No. | Qty. | Description |
|----------|------------|------|----------------------------|
| 2 | 94-9952 | 1 | Nut-Hex |
| 3 | 94-3500 | 1 | Wheel-Steering, 14in |
| 3:1 | 88-3870 | 1 | Cover-Wheel |
| 4 | 98-3808 | 1 | Column-Steering |
| 5 | 93-9399 | 1 | Decal |
| 6 | 92-9220 | 1 | Steering Control ASM |
| 7 | 93-9397 | 1 | Decal-Speed, Ground |
| 8 | 340-18 | 4 | Fitting-HYD, 90° |
| 8:1 | 237-79 | 1 | O-Ring |
| 8:2 | 237-22 | 1 | O-Ring |
| 10 | 60-3260 | 1 | Screw |
| 11 | 63-4330 | 1 | Decal-Overlay, 5 Blade |
| 12 | 63-4340 | 1 | Decal-Overlay, 11 Blade |
| 16 | 33093-00 | 2 | Washer-Flat |
| 17 | 33113-012 | 2 | Screw-HH |
| 18 | 43-5930 | 2 | Washer-Spring |
| 19 | 58-0500-01 | 1 | Cover-Valve, Steering |
| 21 | 3256-24 | 4 | Washer-Flat |
| 22 | 3253-5 | 4 | Washer-Lock |
| 23 | 323-8 | 4 | Screw-HH |
| 25 | 82-9310-03 | 1 | Panel-Display |
| 26 | 82-5890 | 1 | Panel-Face, Display |
| 27 | 60-0790 | 1 | Grommet |
| 28 | 3274-31 | 4 | Screw-HSBH |

| Ref. No. | Part No. | Qty. | Description |
|----------|----------|------|---------------------|
| 30 | 3296-42 | 4 | Nut-Lock, NI |
| 34 | 105-4674 | 1 | Decal-Noise, Ce |
| 40 | 93-7252 | 1 | Decal-International |
| 41 | 93-9427 | 1 | Decal-Clip, 5 Blade |
| 49 | 21-9260 | 1 | Cover-Dust |



Parts not listed in partslist are not serviced separately.

31 — [13, 16, & 18]

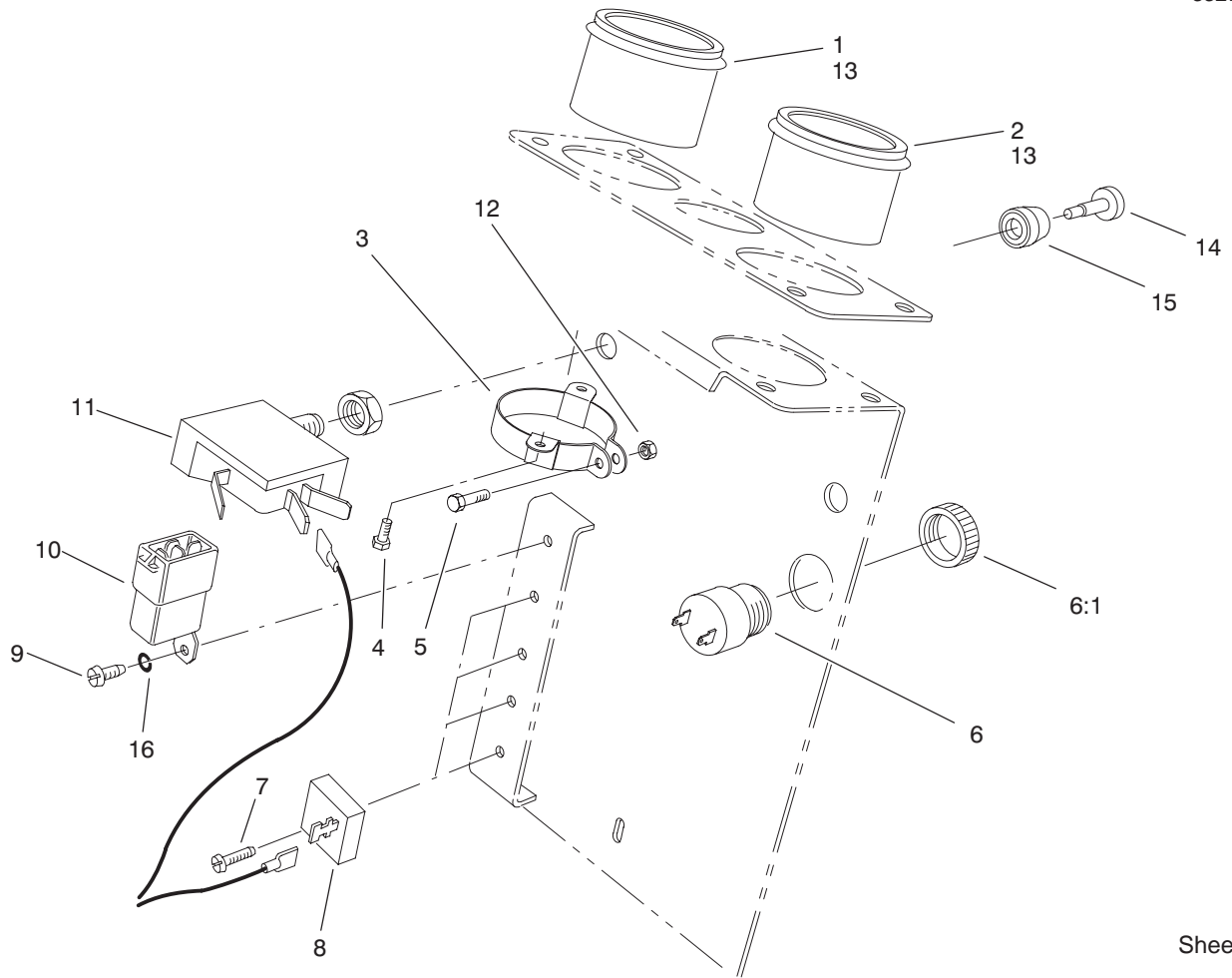
Sheet No.:A1
T-3650

Steering Control Assembly No. 92-9220

| Ref. No. | Part No. | Qty. | Description |
|----------|----------|------|----------------------|
| 2 | 52-9230 | 1 | Ring-Retaining |
| 3 | 52-9240 | 1 | Bushing |
| ☆8 | | 1 | Housing |
| ☆9 | | 1 | Sleeve-Control |
| 10 | 59-6820 | 1 | Centering Spring Kit |
| ☆11 | | 1 | Spool-Control |
| 13 | 92-9732 | 1 | Plate-Wear |
| 14 | 59-6860 | 1 | Drive |
| 15 | 59-6870 | 1 | Gerotor |
| 16 | 92-9730 | 1 | Cap-End |
| 18 | 92-9733 | 7 | Screw-Cap |
| 19 | 59-6830 | 1 | Centering Pin Kit |
| 20 | 74-3090 | 2 | Spring-Anti-Cav |
| 21 | 92-9737 | 2 | Plug-Retainer |
| 22 | 74-3140 | 2 | Ball-Check, Anti-Cav |
| 23 | 52-9290 | 1 | Retainer-Checkball |
| 24 | 52-9280 | 1 | Checkball |
| 26 | 52-9270 | 1 | Seat-Checkball |
| 28 | 52-9260 | 1 | Screw-Set |
| 29 | 52-9250 | 1 | Bearing Kit |
| 29:1 | 59-6730 | 2 | Race |
| 29:2 | 59-6740 | 1 | Bearing |
| 30 | 92-9749 | 1 | Seal Kit |
| ☆30:1 | | 1 | Seal |
| ☆30:2 | | 1 | O-Ring |
| ☆30:3 | | 1 | Seal |

| Ref. No. | Part No. | Qty. | Description |
|----------|----------|------|-------------|
| ☆30:4 | | 1 | O-Ring |
| ☆30:5 | | 1 | O-Ring |
| ☆30:6 | | 1 | O-Ring |
| 31 | 92-9747 | 1 | End Cap Kit |

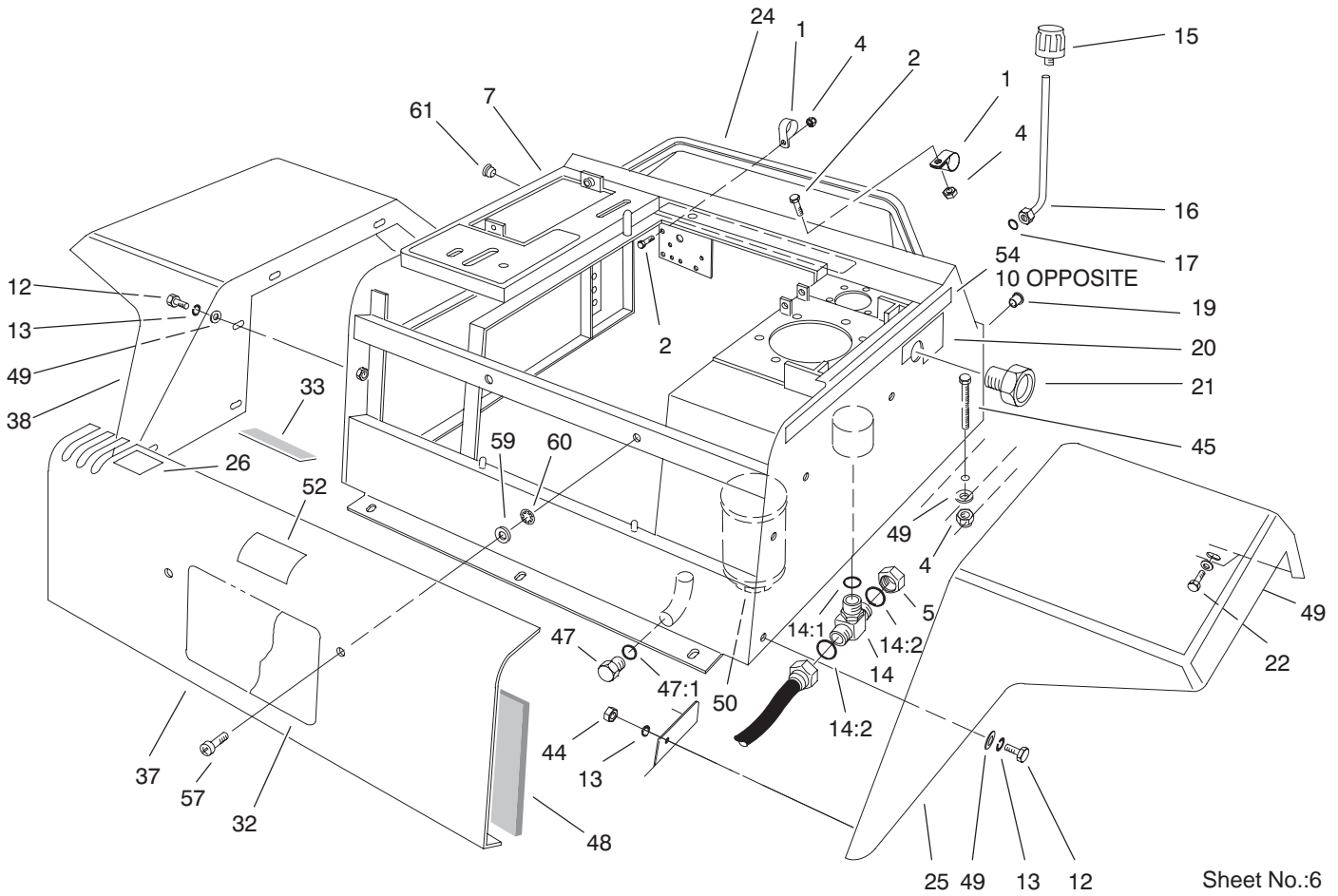
☆ Not serviced separately



Sheet No.:5
T-3651

Steering Tower Electrical Assembly

| Ref. No. | Part No. | Qty. | Description | Ref. No. | Part No. | Qty. | Description |
|----------|----------|------|------------------------|----------|----------|------|-------------|
| 1 | 93-1434 | 1 | Gauge-Cluster, Warning | | | | |
| 2 | 93-1435 | 1 | Gauge-Cluster, Warning | | | | |
| 3 | 69-4780 | 2 | Clamp-Gauge | | | | |
| 4 | 32144-19 | 4 | Screw-Forming, Thread | | | | |
| 5 | 32105-12 | 2 | Screw | | | | |
| 6 | 80-9330 | 1 | Alarm-Audio | | | | |
| 6:1 | 104-5107 | 1 | Nut-Plastic, Knurled | | | | |
| 7 | 3251-4 | 4 | Screw | | | | |
| 8 | 37-7600 | 4 | Rectifier-Bridge | | | | |
| 9 | 3251-1 | 1 | Screw-PPH | | | | |
| 10 | 70-1480 | 1 | Relay | | | | |
| 11 | 43-6290 | 2 | Switch | | | | |
| 12 | 3296-2 | 2 | Nut-Lock | | | | |
| 13 | 219-17 | 8 | Bulb | | | | |
| 14 | 43-6280 | 2 | Button-Push | | | | |
| 15 | 43-6420 | 2 | Bezel | | | | |
| 16 | 3253-2 | 1 | Washer-Lock/Sp | | | | |

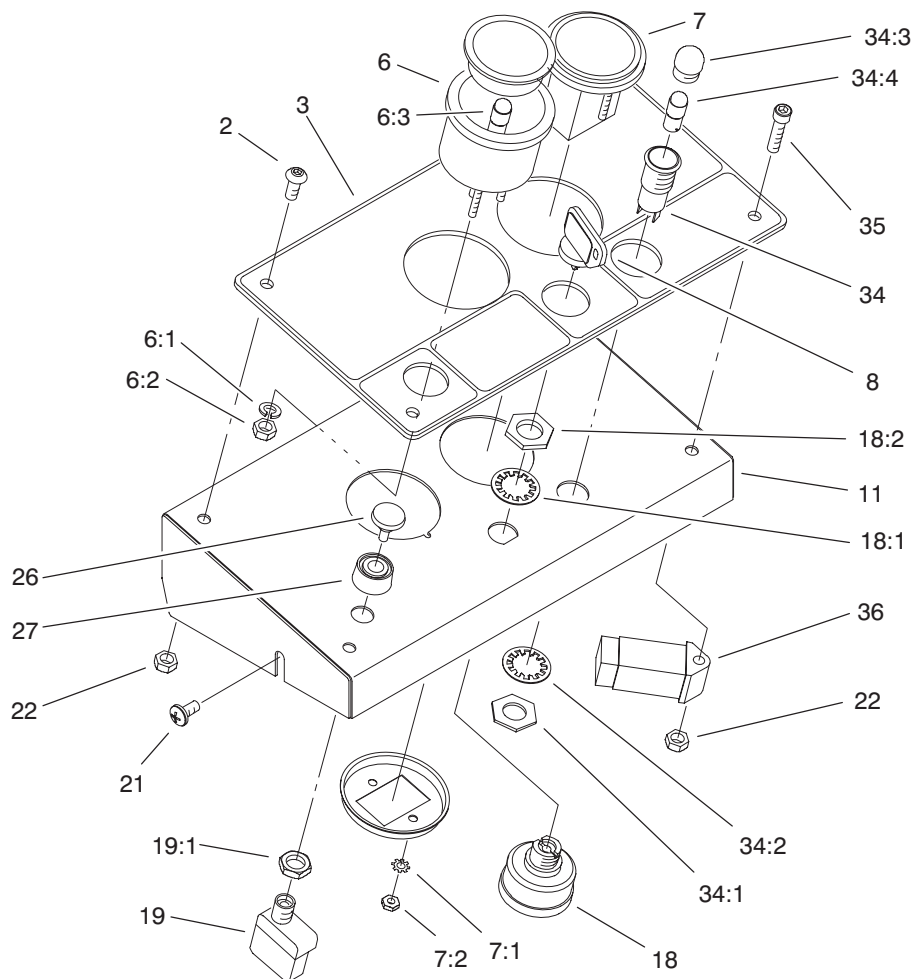


Sheet No.:6
T-3652

Fenders and Center Console Assembly

| Ref. No. | Part No. | Qty. | Description |
|----------|------------|------|--------------------------------|
| 1 | 2412-106 | 2 | Clamp-R |
| 2 | 321-5 | 2 | Screw-HH |
| 4 | 3296-42 | 4 | Nut-Lock, NI |
| 5 | 340-117 | 1 | Cap (only on: 03706) |
| 7 | 92-9273-03 | 1 | Console-Center |
| 10 | 86-6490 | 1 | Decal-4wd, RH (only on: 03707) |
| 12 | 33113-016 | 10 | Screw-HH |
| 13 | 43-5930 | 10 | Washer-Spring |
| 14 | 92-4799 | 1 | Fitting-Tee, HYD |
| 14:1 | 237-79 | 1 | O-Ring |
| 14:2 | 237-22 | 2 | O-Ring |
| 15 | 68-6150 | 1 | Breather-Air |
| 16 | 98-3844 | 1 | Breather Tube ASM |
| 17 | 237-65 | 1 | O-Ring |
| 19 | 32148-6 | 4 | Nut-Insert |
| 20 | 93-9406 | 1 | Decal-Glass, Sight |
| 21 | 58-5940 | 1 | Plug-Gage, Sight |
| 22 | 48-6900 | 4 | Screw |
| 24 | 92-5682 | 1 | Strip-Sealing |
| 25 | 58-0980-01 | 1 | Mudguard-LH |
| 26 | 93-9407 | 1 | Decal-Lever, Lift |
| 32 | 104-5203 | 1 | Decal-Hillside (Ansi) |
| 32 | 104-5204 | 1 | Decal-Hillside (Ce) |
| 33 | 68-7840 | 1 | Strip-Sealing |
| 37 | 58-1750-03 | 1 | Panel-Access |

| Ref. No. | Part No. | Qty. | Description |
|----------|------------|------|--------------------------------|
| 38 | 92-4746-01 | 1 | RH Mudguard ASM |
| 44 | 48-7890 | 2 | Nut |
| 45 | 321-24 | 2 | Screw-HH |
| 47 | 58-9160 | 1 | Plug-Drain |
| 47:1 | 237-80 | 1 | O-Ring |
| 48 | 68-7810 | 1 | Panel-Lining |
| 49 | 3256-22 | 16 | Washer-Flat |
| 50 | 48-7120 | 1 | Element-Suction |
| 52 | 93-9425 | 1 | Decal-Danger |
| 54 | 92-5699 | 1 | Decal-4wd, LH (only on: 03707) |
| 57 | 3250-36 | 2 | Screw-PPH |
| 59 | 3256-3 | 2 | Washer-Flat |
| 60 | 32151-72 | 2 | Ring-Retaining |
| 61 | 92-6059 | 5 | Plug-Button |

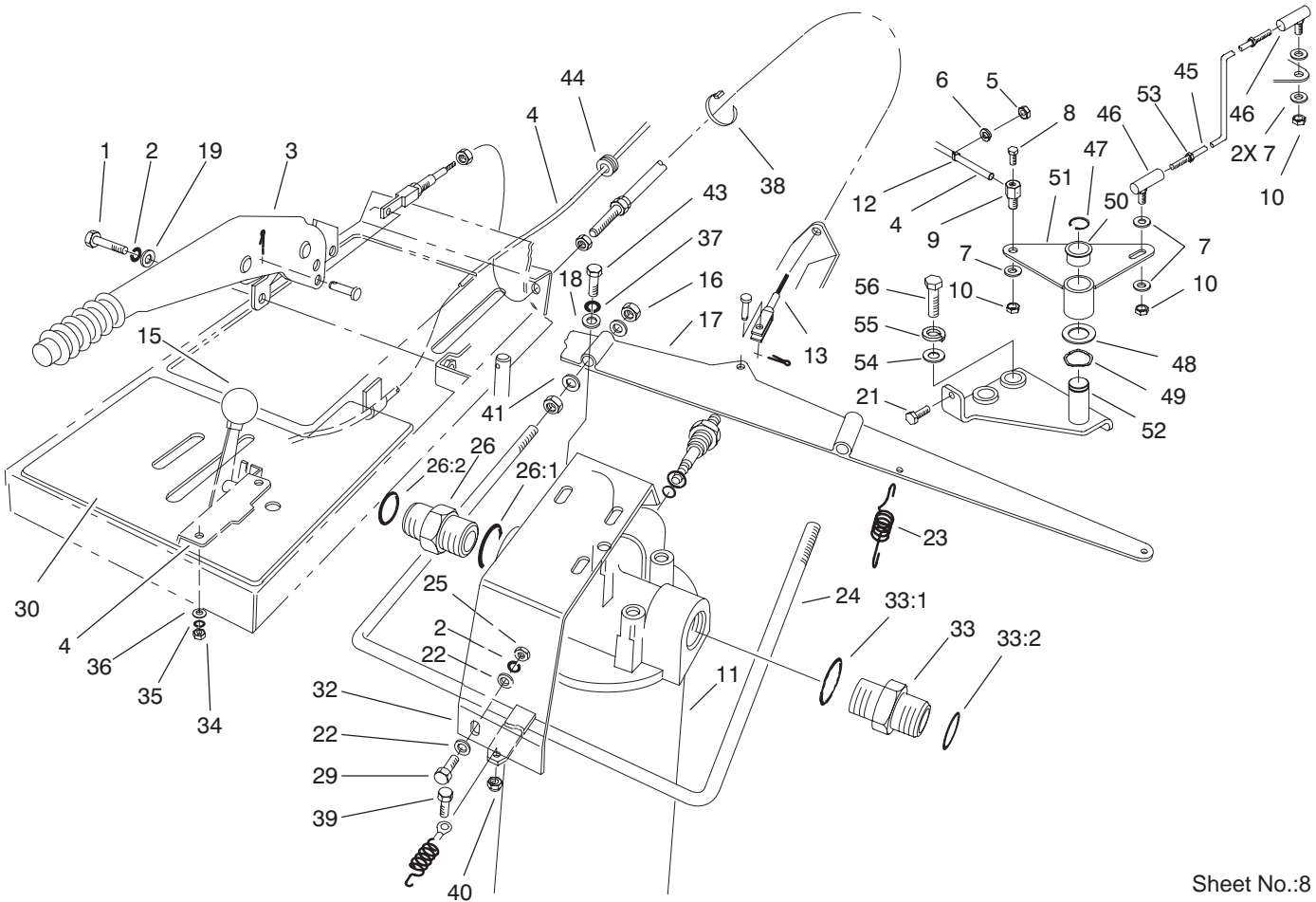


Instrument Panel Assembly

| Ref. No. | Part No. | Qty. | Description |
|----------|------------|------|------------------------|
| 2 | 3274-31 | 3 | Screw-HSBH |
| 3 | 98-3830 | 1 | Plate-Face, Instrument |
| 6 | 98-9339 | 1 | Gauge-Fuel |
| 6:1 | 3254-1 | 3 | Washer-Lock, Internal |
| 6:2 | 3217-27 | 3 | Nut-Hex |
| 6:3 | 105-9265 | 1 | Bulb And Lamp ASM |
| 7 | 66-2950 | 1 | Gauge-Hourmeter |
| 7:1 | 3255-20 | 2 | Washer-Lock |
| 7:2 | 3217-25 | 2 | Nut-Hex |
| 8 | 63-8360 | 1 | Key-Ignition |
| 11 | 98-3829-03 | 1 | Panel-Instrument |
| 18 | 88-9830 | 1 | Key Switch ASM |
| 18:1 | 3254-5 | 1 | Washer-Lock, Internal |
| 18:2 | 218-461 | 1 | Nut-HH |
| 19 | 72-9760 | 1 | Switch |
| 19:1 | 218-498 | 1 | Locknut-Hex |
| 21 | 60-2170 | 2 | Screw |
| 22 | 3296-42 | 4 | Nut-Lock, NI |
| 26 | 43-6280 | 1 | Button-Push |
| 27 | 43-6420 | 1 | Bezel |
| 34 | 44-2210 | 1 | Light-Indicator, Red |
| 34:1 | 218-535 | 1 | Nut-Hex |
| 34:2 | 218-536 | 1 | Washer-Lock |
| 34:3 | 218-533 | 1 | Lens |
| ☆34:4 | | 1 | Bulb |

| Ref. No. | Part No. | Qty. | Description |
|----------|----------|------|----------------------------------|
| 35 | 3274-9 | 1 | Screw-HSH |
| 36 | 98-7611 | 1 | Controller-Glow (only on: 03706) |

☆ Not serviced separately

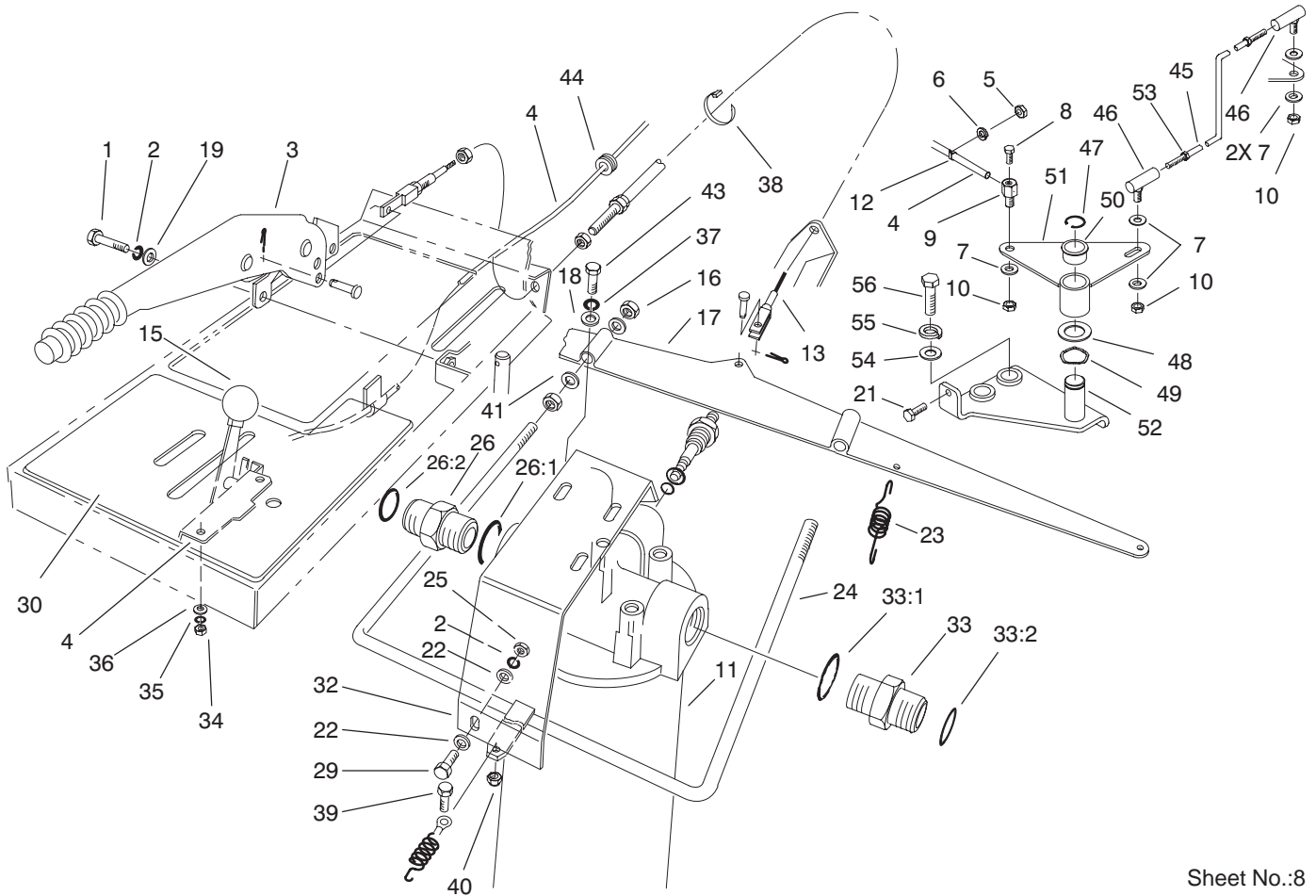


Sheet No.:8
T-3654

Parking Brake, Throttle and Oil Filter Assembly

| Ref. No. | Part No. | Qty. | Description |
|----------|------------|------|------------------------|
| 1 | 33114-016 | 2 | Screw-HH |
| 2 | 42-9850 | 4 | Washer-Lock, Spring |
| 3 | 53-6070 | 1 | Lever-Brake |
| 4 | 59-7240 | 1 | Control-Throttle |
| 5 | 3217-5 | 1 | Nut-Hex |
| 6 | 3253-3 | 1 | Washer-Lock |
| 7 | 3256-22 | 5 | Washer-Flat |
| 8 | 25-8640 | 1 | Screw-HH |
| 9 | 93-0021 | 1 | Swivel-Cable, Throttle |
| 10 | 3296-13 | 3 | Nut-Lock NI |
| 11 | 86-6090 | 1 | HYD Oil Filter ASM |
| 12 | 2412-31 | 1 | Clamp-Boden |
| 13 | 92-9222 | 1 | Cable-Handbrake |
| 15 | 233-25 | 1 | Knob-Control |
| 16 | 3217-6 | 4 | Nut-Hex |
| 17 | 58-2170-03 | 1 | Bar-Linkage, Brake |
| 18 | 3256-3 | 3 | Washer-Flat |
| 19 | 33094-00 | 2 | Washer-Flat |
| 21 | 321-4 | 1 | Screw-HH |
| 22 | 3256-23 | 4 | Washer-Flat |
| 23 | 60-2140 | 2 | Spring |
| 24 | 92-9225 | 1 | Yoke |
| 25 | 3217-6 | 2 | Nut-Hex |
| 26 | 340-80 | 1 | Adapter |
| 26:1 | 237-123 | 1 | O-Ring |
| 26:2 | 340-65 | 1 | O-Ring |

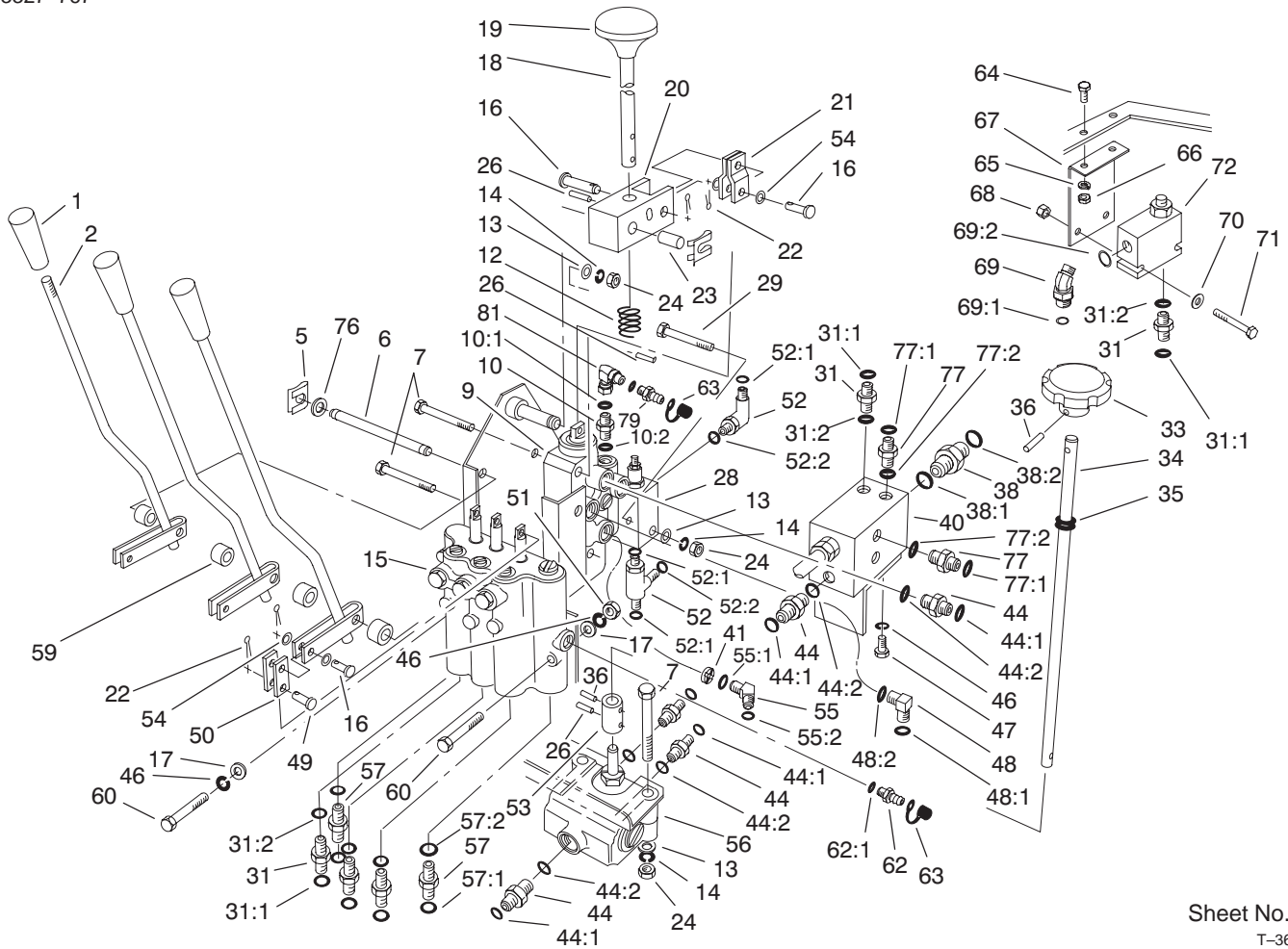
| Ref. No. | Part No. | Qty. | Description |
|----------|------------|------|---------------------|
| 29 | 322-6 | 2 | Screw-HH |
| 30 | 93-9402 | 1 | Panel-Control, Side |
| 32 | 84-6470-03 | 1 | Bracket-Filter |
| 33 | 340-10 | 1 | Adapter |
| 33:1 | 237-123 | 1 | O-Ring |
| 33:2 | 340-64 | 1 | O-Ring |
| 34 | 48-7880 | 2 | Nut-Hex |
| 35 | 48-8000 | 2 | Washer-Lock |
| 36 | 52-6430 | 2 | Washer |
| 37 | 3253-5 | 3 | Washer-Lock |
| 38 | 3290-378 | 1 | Tie-Cable |
| 39 | 11-9030 | 1 | Screw-Shoulder |
| 40 | 3296-42 | 1 | Nut-Lock, NI |
| 41 | 3256-23 | 4 | Washer-Flat |
| 43 | 323-5 | 3 | Screw-HH |
| 44 | 60-2370 | 1 | Grommet |
| 45 | 98-1261 | 1 | Rod-Throttle |
| 46 | 98-3845 | 2 | Joint-Ball, Rod End |
| 47 | 936125 | 1 | Ring-Snap, External |
| 48 | 67-9410 | 1 | Washer |
| 49 | 98-3846 | 1 | Washer-Wave |
| 50 | 256-252 | 2 | Bearing-Flange |
| 51 | 98-1257-03 | 1 | Lever-Throttle |
| 52 | 98-1256-03 | 1 | Plate-Throttle |
| 53 | 3220-1 | 2 | Nut-Jam |
| 54 | 3256-24 | 2 | Washer-Flat |



Parking Brake, Throttle and Oil Filter Assembly (Continued)

| Ref. No. | Part No. | Qty. | Description |
|----------|----------|------|-------------|
| 55 | 48-9590 | 2 | Washer-Lock |
| 56 | 56-2140 | 2 | Bolt |

| Ref. No. | Part No. | Qty. | Description |
|----------|----------|------|-------------|
| | | | |

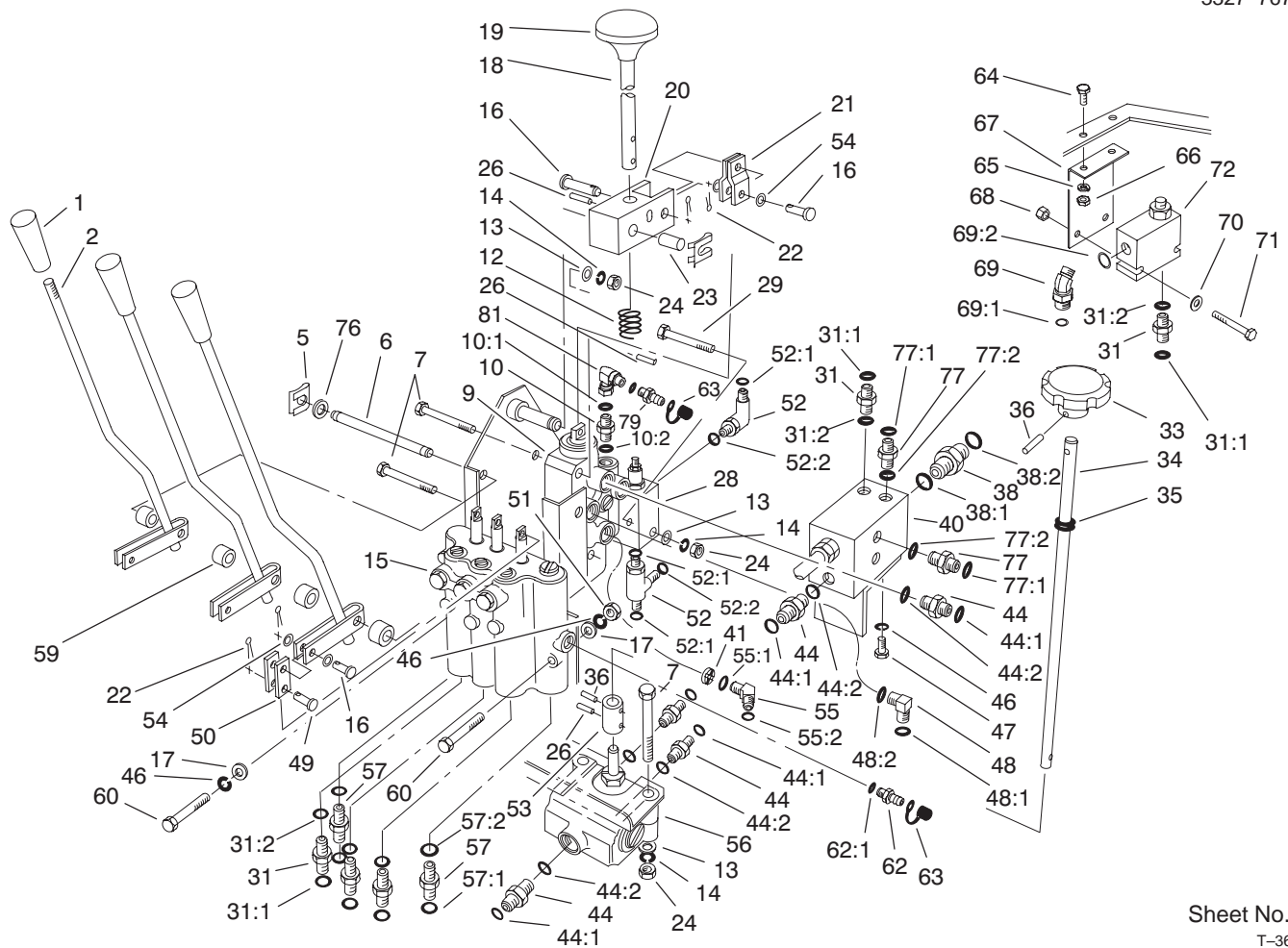


Sheet No.:9
T-3655

Valve Control Assembly

| Ref. No. | Part No. | Qty. | Description |
|----------|-----------|------|--------------------------|
| 1 | 233-39 | 3 | Knob-Control |
| 2 | 74-3190 | 3 | Lever-Lift |
| 5 | 60-5690 | 3 | Clip |
| 6 | 58-1520 | 1 | Pin |
| 7 | 322-12 | 4 | Screw-HH |
| 9 | 63-4800 | 1 | Spool-Motor, Valve |
| 10 | 340-88 | 1 | Adapter |
| 10:1 | 237-22 | 1 | O-Ring |
| 10:2 | 237-78 | 1 | O-Ring |
| 12 | 58-7190 | 1 | Spring |
| 13 | 3256-23 | 5 | Washer-Flat |
| 14 | 3253-4 | 5 | Washer-Lock |
| 15 | 93-1432 | 1 | 3 Spool Valve ASM |
| 16 | 58-3830 | 5 | Pin |
| 17 | 33093-00 | 2 | Washer-Flat |
| 18 | 58-4450 | 1 | Lever |
| 19 | 233-10 | 1 | Knob-Lever |
| 20 | 58-4460 | 1 | Clevis |
| 21 | 58-1570 | 2 | Link |
| 22 | 3272-1 | 8 | Pin-Cotter |
| 23 | 60-0550 | 1 | Bushing |
| 24 | 3217-6 | 5 | Nut-Hex |
| 26 | 32121-118 | 3 | Pin-Roll |
| 28 | 58-5520 | 1 | Valve-Relief, Adjustable |
| 29 | 322-9 | 1 | Screw-HH |

| Ref. No. | Part No. | Qty. | Description |
|----------|-----------|------|-----------------------|
| 31 | 340-2 | 5 | Fitting-HYD, Straight |
| 31:1 | 237-22 | 1 | O-Ring |
| 31:2 | 237-42 | 1 | O-Ring |
| 33 | 59-7130 | 1 | Knob-Control, Speed |
| 34 | 58-1510 | 1 | Shaft |
| 35 | 59-7910 | 1 | Grommet |
| 36 | 60-2110 | 2 | Pin |
| 38 | 340-80 | 1 | Adapter |
| 38:1 | 237-123 | 1 | O-Ring |
| 38:2 | 340-65 | 1 | O-Ring |
| 40 | 58-2150 | 1 | Block-Manifold |
| 41 | 66-5410 | 1 | Orifice |
| 44 | 340-7 | 6 | Adapter |
| 44:1 | 237-65 | 1 | O-Ring |
| 44:2 | 237-80 | 1 | O-Ring |
| 46 | 43-5930 | 4 | Washer-Spring |
| 47 | 33113-016 | 2 | Screw-HH |
| 48 | 340-17 | 2 | Fitting-HYD, 90° |
| 48:1 | 237-65 | 1 | O-Ring |
| 48:2 | 237-80 | 1 | O-Ring |
| 49 | 58-3810 | 3 | Pin |
| 50 | 58-1560 | 6 | Link |
| 51 | 48-7890 | 1 | Nut |
| 52 | 340-86 | 2 | Fitting-Tee, HYD |
| 52:1 | 237-22 | 2 | O-Ring |
| 52:2 | 237-42 | 1 | O-Ring |

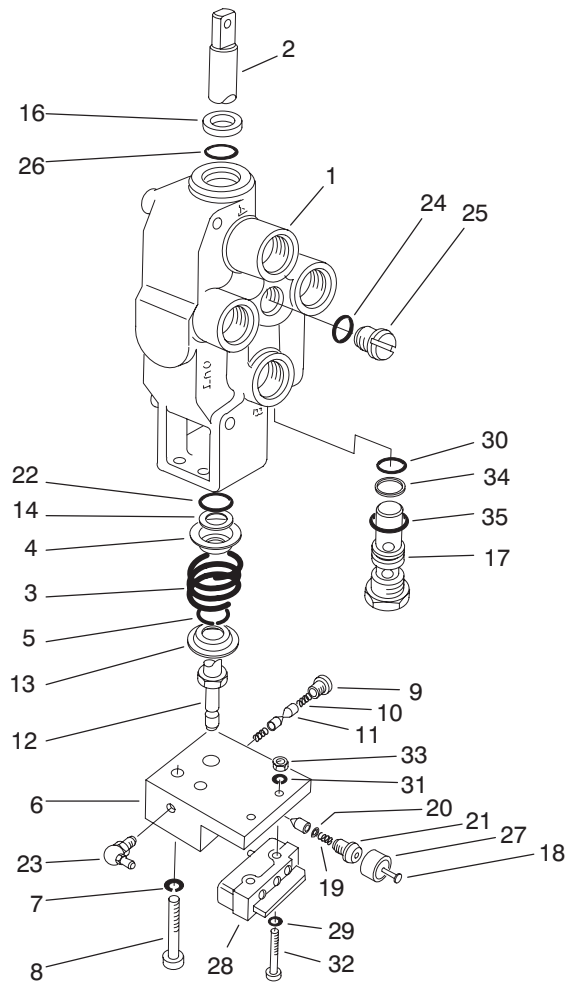


Sheet No.:9
T-3655

Valve Control Assembly (Continued)

| Ref. No. | Part No. | Qty. | Description |
|----------|------------|------|-----------------------|
| 53 | 93-7768 | 1 | Coupling |
| 54 | 52-6430 | 8 | Washer |
| 55 | 66-5860 | 1 | Adapter-45° |
| 55:1 | 237-80 | 1 | O-Ring |
| 55:2 | 237-65 | 1 | O-Ring |
| 56 | 58-5490 | 1 | Control-Valve, Flow |
| 57 | 340-3 | 2 | Adapter |
| 57:1 | 237-22 | 1 | O-Ring |
| 57:2 | 237-79 | 1 | O-Ring |
| 59 | 58-1540 | 4 | Spacer |
| 60 | 33113-050 | 2 | Screw-HH |
| 62 | 59-7410 | 1 | Tip-Nipple, Diagonal |
| 62:1 | 237-42 | 1 | O-Ring |
| 63 | 353-947 | 3 | Cap-Dust, Rubber |
| 64 | 321-3 | 2 | Screw-HH |
| 65 | 3253-3 | 2 | Washer-Lock |
| 66 | 3217-5 | 2 | Nut-Hex |
| 67 | 63-4690-03 | 1 | Bracket-Valve |
| 68 | 3296-8 | 2 | Nut-Lock, NI |
| 69 | 340-87 | 1 | Fitting-HYD, 45° |
| 69:1 | 237-22 | 1 | O-Ring |
| 69:2 | 237-42 | 1 | O-Ring |
| 70 | 3256-22 | 2 | Washer-Flat |
| 71 | 321-11 | 2 | Screw-HH |
| 72 | 63-4700 | 1 | Valve-Flow, Regulator |
| 76 | 3256-24 | 2 | Washer-Flat |

| Ref. No. | Part No. | Qty. | Description |
|----------|----------|------|------------------|
| 77 | 92-9258 | 3 | Check-Adapter |
| 77:1 | 237-22 | 1 | O-Ring |
| 77:2 | 237-42 | 1 | O-Ring |
| 79 | 86-5480 | 2 | Nipple-Test |
| 81 | 98-1281 | 1 | Adapter-HYD, 90° |



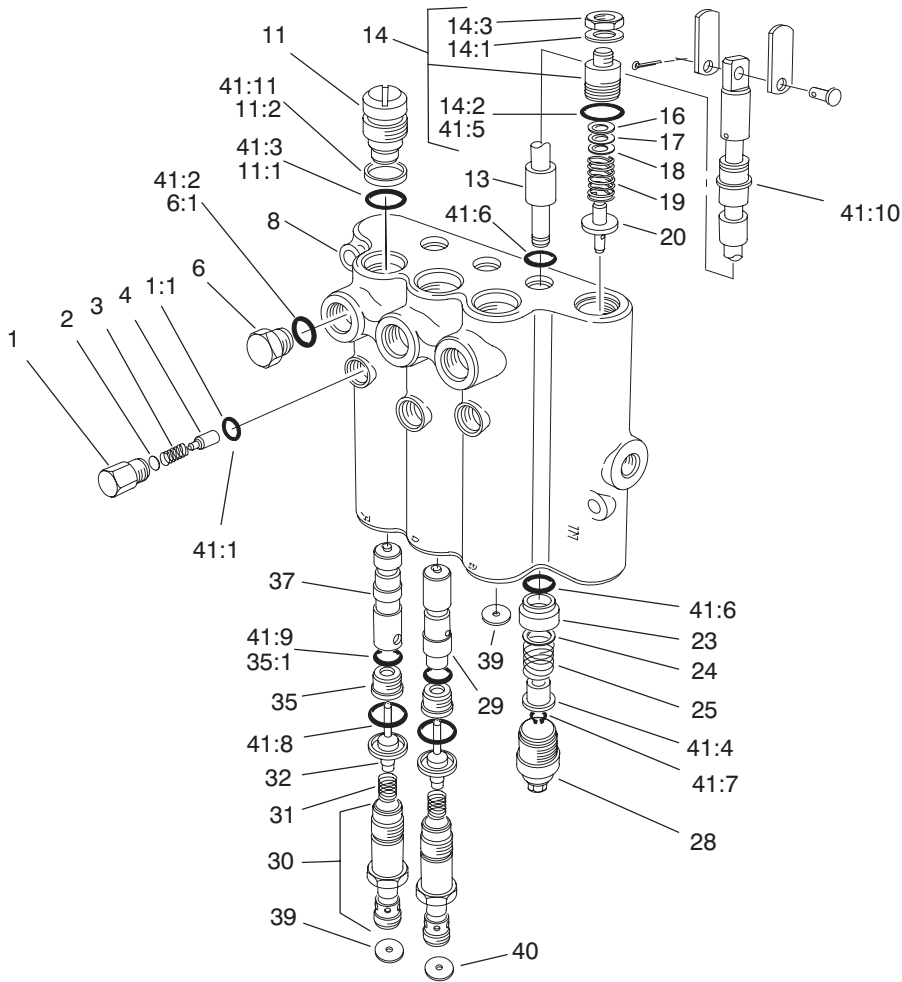
Sheet No.:A2
T-3656

Valve Motor Spool Assembly No. 63-4800

| Ref. No. | Part No. | Qty. | Description |
|----------|----------|------|----------------|
| ☆1 | | 1 | Body |
| ☆2 | | 1 | Spool |
| 3 | 59-8040 | 1 | Spring |
| 4 | 59-8080 | 1 | Washer |
| 5 | 59-8170 | 1 | Washer |
| 6 | 63-4820 | 1 | Block-Detent |
| 7 | 59-8070 | 2 | Lockwasher |
| 8 | 63-4830 | 2 | Cap screw |
| 9 | 59-8060 | 1 | Plug |
| 10 | 59-8050 | 2 | Spring |
| 11 | 59-8150 | 3 | Pawl |
| 12 | 63-4840 | 1 | Screw-Detent |
| 13 | 59-8100 | 1 | Washer |
| 14 | 59-8180 | 1 | Washer |
| 16 | 59-8190 | 1 | Wiper |
| 17 | 63-4780 | 1 | Valve |
| 18 | 63-4850 | 1 | Plunger |
| 19 | 63-4510 | 1 | Spring |
| 20 | 63-4860 | 1 | Circlip |
| 21 | 59-8230 | 1 | Plug |
| 22 | 59-7780 | 1 | Ring |
| 23 | 302-66 | 1 | Fitting-Grease |
| 24 | 59-8140 | 1 | Ring |
| 25 | 59-8160 | 1 | Plug |
| 26 | 59-8120 | 1 | Ring |
| 27 | 66-5420 | 1 | Sleeve |

| Ref. No. | Part No. | Qty. | Description |
|----------|----------|------|----------------|
| 28 | 60-4550 | 1 | Switch-Micro |
| 29 | 3256-13 | 2 | Washer |
| 30 | 63-4440 | 1 | O-Ring |
| 31 | 3253-19 | 2 | Washer-Lock/Sp |
| 32 | 66-5430 | 2 | Screw |
| 33 | 66-5440 | 2 | Nut-Hex |
| 34 | 59-7860 | 1 | Washer |
| 35 | 42-1220 | 1 | O-Ring |

☆ Not serviced separately



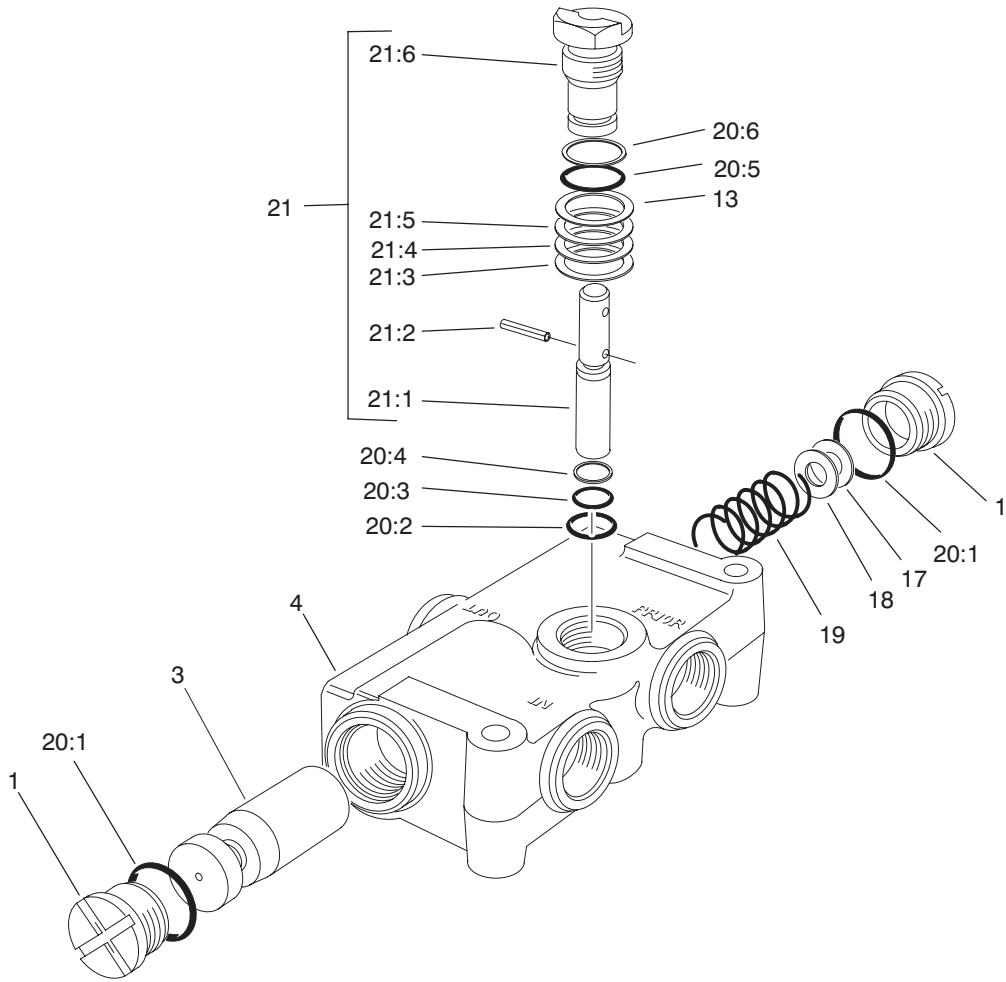
Sheet No.:A3
T-3657

Control Valve Assembly No. 93-1432

| Ref. No. | Part No. | Qty. | Description |
|----------|----------|------|-------------|
| 1 | 58-6780 | 3 | Plug |
| 1:1 | 58-6790 | 1 | O-Ring |
| 2 | 60-6450 | 1 | Disc |
| 3 | 58-6760 | 3 | Spring |
| 4 | 58-6770 | 3 | Plunger |
| 6 | 353-508 | 3 | Plug |
| 6:1 | 237-42 | 1 | O-Ring |
| ☆8 | | 1 | Body |
| 11 | 58-6350 | 3 | Plug |
| 11:1 | 60-5720 | 1 | O-Ring |
| 11:2 | 58-6370 | 1 | Washer |
| ☆13 | | 3 | Spool |
| 14 | 69-1830 | 1 | Plug ASM |
| ☆14:1 | | 1 | Washer |
| 14:2 | 58-6750 | 1 | O-Ring |
| ☆14:3 | | 1 | Nut-Lock |
| 16 | 58-6470 | 1 | Washer |
| 17 | 58-6480 | 1 | Washer |
| 18 | 58-6490 | 1 | Washer |
| 19 | 84-6450 | 1 | Spring |
| 20 | 58-6440 | 1 | Poppet |
| 23 | 58-6400 | 3 | Bushing |
| 24 | 58-6700 | 3 | Washer |
| 25 | 58-6730 | 3 | Spring |
| 28 | 58-6420 | 3 | Cap |
| 29 | 84-6430 | 1 | Plunger |

| Ref. No. | Part No. | Qty. | Description |
|----------|----------|------|--------------|
| 30 | 58-6380 | 3 | Plug |
| 31 | 58-6410 | 3 | Spring |
| 32 | 60-6440 | 3 | Eyelet |
| 35 | 58-6330 | 3 | Seat |
| 35:1 | 58-6340 | 1 | O-Ring |
| 37 | 84-6420 | 2 | Plunger |
| 39 | 84-6400 | 2 | Disc-Orifice |
| 40 | 84-6401 | 1 | Disc-Orifice |
| 41 | 60-3780 | 1 | Seal Kit |
| 41:1 | 58-6790 | 3 | O-Ring |
| 41:2 | 58-6720 | 3 | O-Ring |
| 41:3 | 60-5720 | 6 | O-Ring |
| 41:4 | 58-6310 | 6 | Spacer |
| 41:5 | 58-6750 | 1 | O-Ring |
| 41:6 | 58-6450 | 6 | O-Ring |
| 41:7 | 58-6460 | 3 | Ring |
| 41:8 | 58-6290 | 3 | Poppet |
| 41:9 | 58-6340 | 3 | O-Ring |
| 41:10 | 58-6320 | 3 | Wiper |
| 41:11 | 58-6370 | 1 | Washer |

☆ Not serviced separately



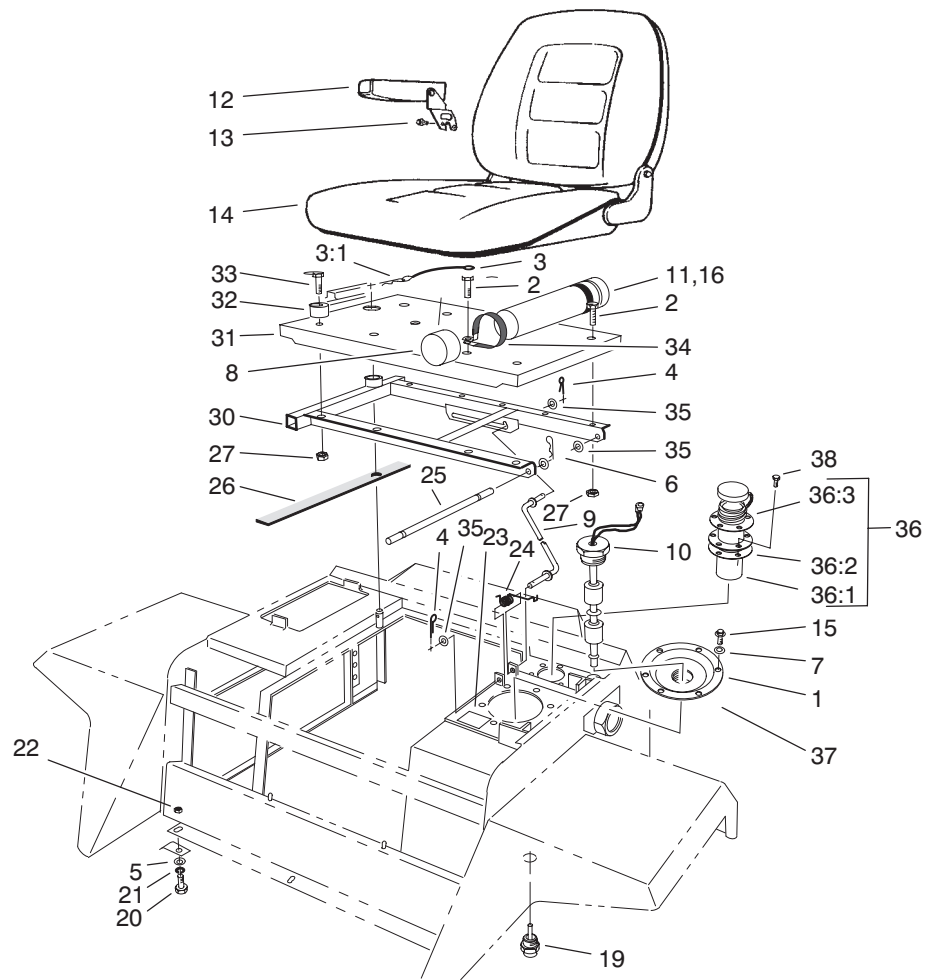
Sheet No.:A4
T-3658

Priority Flow Control Valve Assembly No. 58-5490

| Ref. No. | Part No. | Qty. | Description |
|----------|----------|------|---------------|
| 1 | 59-7600 | 2 | Plug |
| ☆3 | | 1 | Spool |
| ☆4 | | 1 | Body |
| 13 | 59-7720 | 1 | Washer |
| 17 | 59-7750 | 1 | Washer |
| 18 | 59-7760 | 1 | Washer |
| 19 | 59-7770 | 1 | Spring |
| 20 | 63-4520 | 1 | Seal Kit |
| 20:1 | 59-7610 | 2 | Ring |
| 20:2 | 59-7640 | 1 | Ring |
| 20:3 | 59-7650 | 1 | Ring |
| 20:4 | 60-5950 | 1 | Washer |
| 20:5 | 59-7780 | 1 | Ring |
| 20:6 | 58-6370 | 1 | Washer |
| 21 | 94-8265 | 1 | Plug-Metering |
| ☆21:1 | | 1 | Stem-Metering |
| ☆21:2 | | 1 | Pin-Groove |
| ☆21:3 | | 1 | Shim |
| ☆21:4 | | 1 | Shim |
| ☆21:5 | | 1 | Shim |
| ☆21:6 | | 1 | Plug-Metering |

| Ref. No. | Part No. | Qty. | Description |
|----------|----------|------|-------------|
| | | | |
| | | | |
| | | | |
| | | | |
| | | | |
| | | | |
| | | | |
| | | | |
| | | | |
| | | | |
| | | | |
| | | | |

☆ Not serviced separately

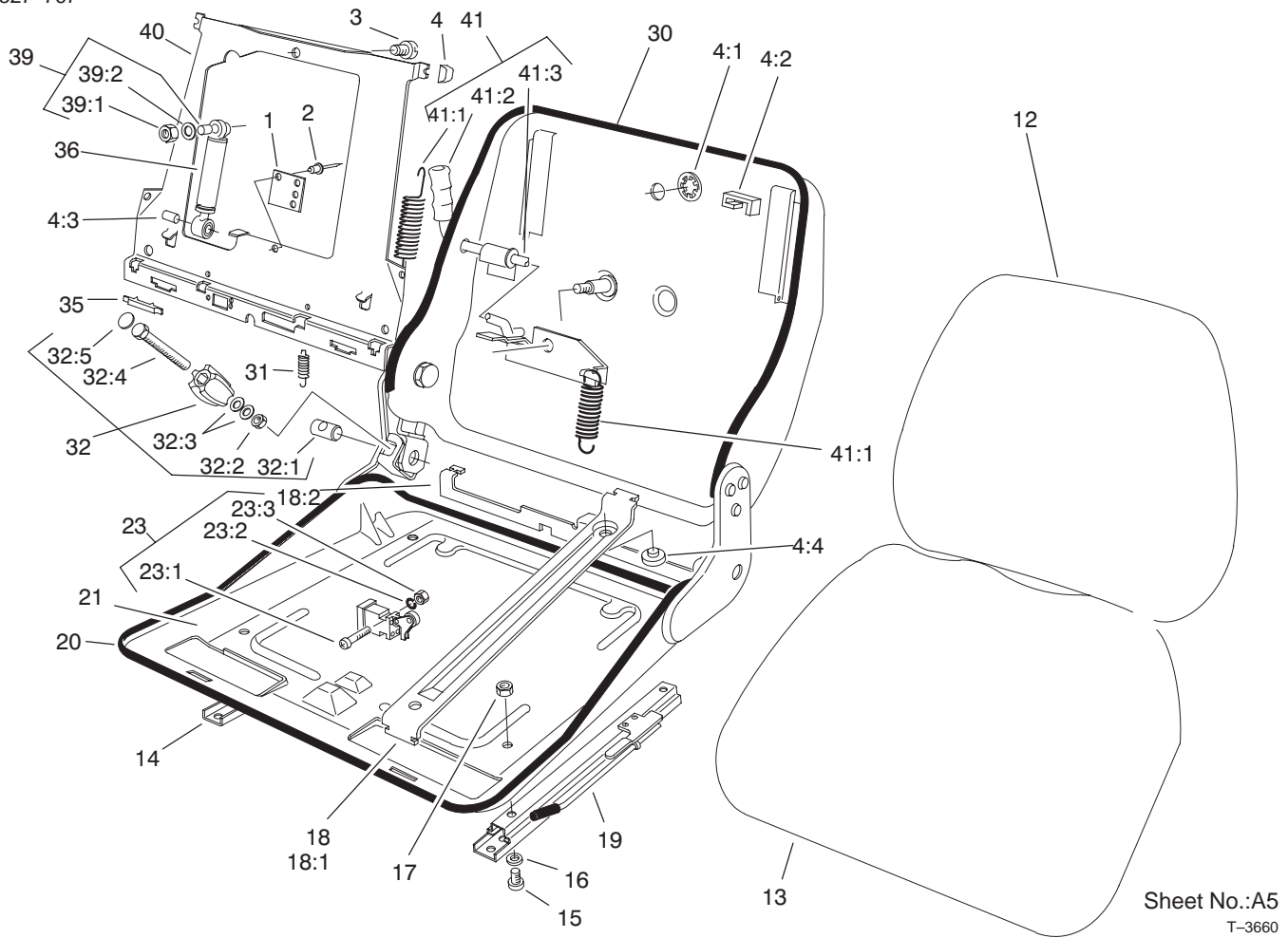


Sheet No.:10

T-3659

Seat Platform and Filler Cap Assembly

| Ref. No. | Part No. | Qty. | Description | Ref. No. | Part No. | Qty. | Description |
|----------|----------|------|--------------------|----------|------------|------|----------------------|
| 1 | 92-9200 | 1 | Cover | 30 | 58-1580-03 | 1 | Seat-Frame |
| 2 | 3234-5 | 6 | Screw | 31 | 58-9830-03 | 1 | Plate-Seat |
| 3 | 60-2160 | 1 | R-Clip ASM | 32 | 26-4840 | 4 | Spacer-Pin, Mounting |
| 3:1 | 3290-355 | 1 | Pin-Hair | 33 | 322-6 | 4 | Screw-HH |
| 4 | 3272-11 | 2 | Pin-Cotter | 34 | 2412-102 | 2 | R-Clamp |
| 5 | 3256-24 | 2 | Washer-Flat | 35 | 3256-24 | 4 | Washer-Flat |
| 6 | 3290-250 | 2 | Pin-Hair, Cotter | 36 | 71-4040 | 1 | HYD Filler ASM |
| 7 | 3253-15 | 6 | Washer-Lock/Sp | 36:1 | 62-2610 | 1 | Strainer-Cap, Filler |
| 8 | 65-5890 | 2 | Cap-End | 36:2 | 353-963 | 2 | Gasket |
| 9 | 58-1650 | 1 | Rod-Seat | 36:3 | 353-961 | 1 | Flange |
| 10 | 82-9340 | 1 | Level Switch ASM | 37 | 58-6820 | 1 | Gasket |
| 11 | 65-5870 | 1 | Tube | 38 | 32144-107 | 6 | Screw |
| 12 | 55-4660 | 1 | Armrest | | | | |
| 13 | 56-3850 | 4 | Screw | | | | |
| 14 | 77-4860 | 1 | Seat ASM | | | | |
| 15 | 46-0670 | 6 | Screw-PPH | | | | |
| 16 | 323-13 | 5 | Screw-HH | | | | |
| 19 | 60-5580 | 1 | Switch-Temperature | | | | |
| 20 | 323-7 | 2 | Screw-HH | | | | |
| 21 | 3253-21 | 2 | Washer-Lock | | | | |
| 22 | 32128-21 | 2 | Nut-HF | | | | |
| 23 | 93-6686 | 1 | Decal-Oil, HYD | | | | |
| 24 | 60-0050 | 1 | Spring-Tray, Seat | | | | |
| 25 | 58-1640 | 1 | Pin-Pivot, Seat | | | | |
| 26 | 68-7850 | 1 | Strip-Sealing | | | | |
| 27 | 32128-20 | 10 | Nut-HF | | | | |

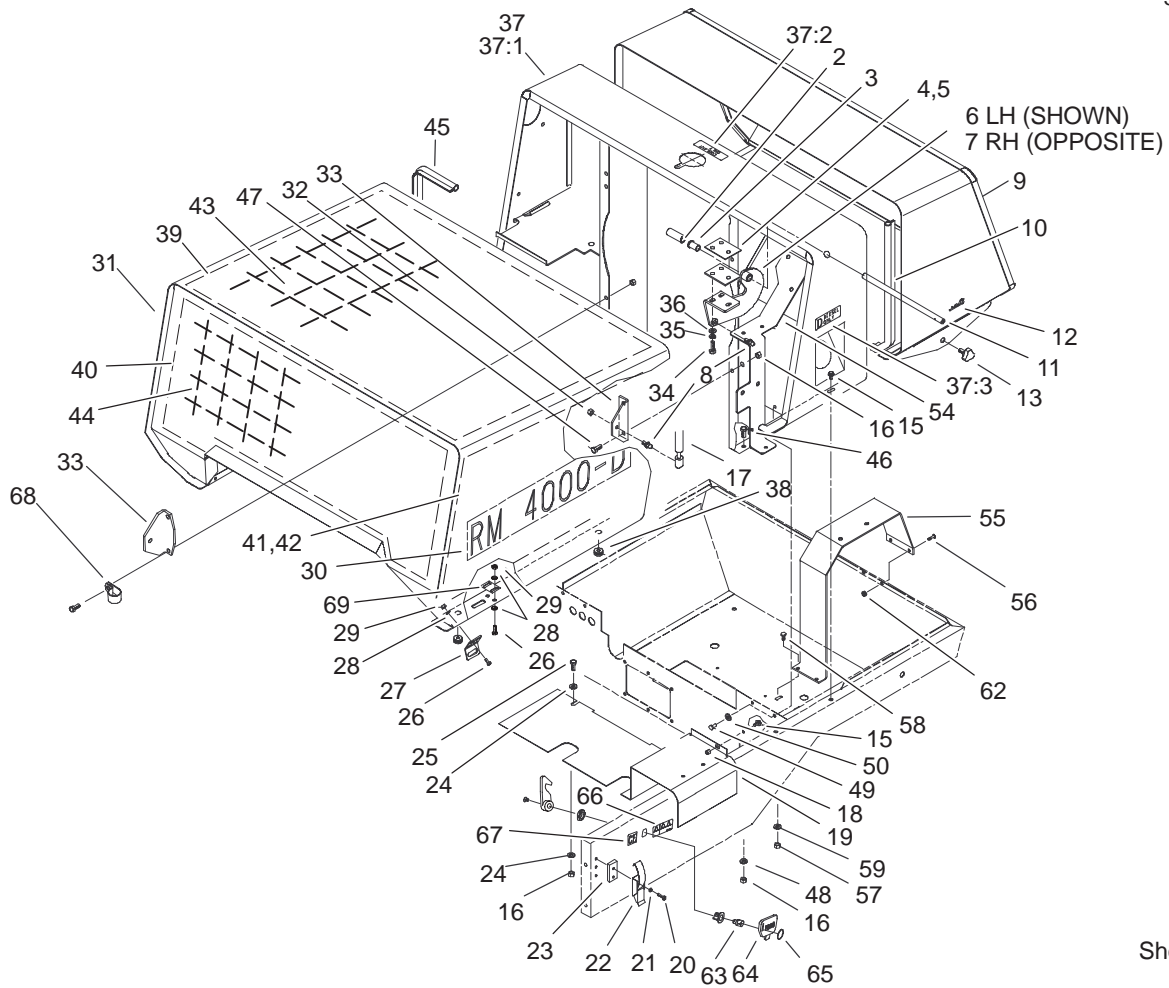


Seat Assembly No. 77-4860

| Ref. No. | Part No. | Qty. | Description |
|----------|----------|------|---------------------|
| 1 | 82-2850 | 1 | Plate |
| 2 | 82-9680 | 2 | Rivet |
| 3 | 82-9700 | 1 | Screw |
| 4 | 82-2730 | 1 | Wear Parts Kit |
| ☆4:1 | | 1 | Cover |
| ☆4:2 | | 2 | Bumper |
| ☆4:3 | | 1 | Bushing |
| ☆4:4 | | 2 | Pad |
| 12 | 82-2800 | 1 | Cushion-Rest, Back |
| 13 | 82-2840 | 1 | Cushion-Bottom |
| 14 | 82-2790 | 1 | Rail-Adjust, LH |
| 15 | 82-9690 | 4 | Screw |
| 16 | 82-9660 | 4 | Washer |
| 17 | 82-9650 | 4 | Nut |
| 18 | 82-2820 | 1 | Swing Arm ASM |
| ☆18:1 | | 1 | Pivot-Plate, Back |
| ☆18:2 | | 1 | Plate-Backrest |
| 19 | 92-2951 | 1 | Rail-Adjust, LH |
| 20 | 82-9710 | 1 | Trim-Bottom |
| 21 | 82-2720 | 1 | Frame-Seat |
| 23 | 82-2810 | 1 | Switch ASM |
| 23:1 | 82-9640 | 2 | Screw |
| 23:2 | 82-9620 | 2 | Washer-Spring |
| 23:3 | 82-9630 | 2 | Nut |
| 30 | 82-9720 | 1 | Trim-Rest, Back |
| 31 | 82-2860 | 1 | Spring-Set, Tension |

| Ref. No. | Part No. | Qty. | Description |
|----------|----------|------|---------------------|
| 32 | 82-2750 | 1 | Spindle Adj. ASM |
| 32:1 | 56-4170 | 1 | Pin |
| 32:2 | 56-3890 | 1 | Nut |
| 32:3 | 56-3880 | 2 | Washer |
| 32:4 | 82-2710 | 1 | Screw |
| ☆32:5 | | 1 | Cover |
| 35 | 82-2830 | 2 | Clamp |
| 36 | 82-2770 | 1 | Shock Absorber ASM |
| 39 | 82-2760 | 1 | Bushing Kit |
| 39:1 | 82-9670 | 1 | Nut |
| 39:2 | 56-3940 | 1 | Washer |
| ☆40 | | 1 | Plate-Backrest |
| 41 | 82-2880 | 1 | Weight Adj. ASM |
| 41:1 | 82-2740 | 2 | Set-Spring, Tension |
| 41:2 | 56-4150 | 1 | Lever |
| 41:3 | 82-2870 | 1 | Lever-Adjust |

☆ Not serviced separately

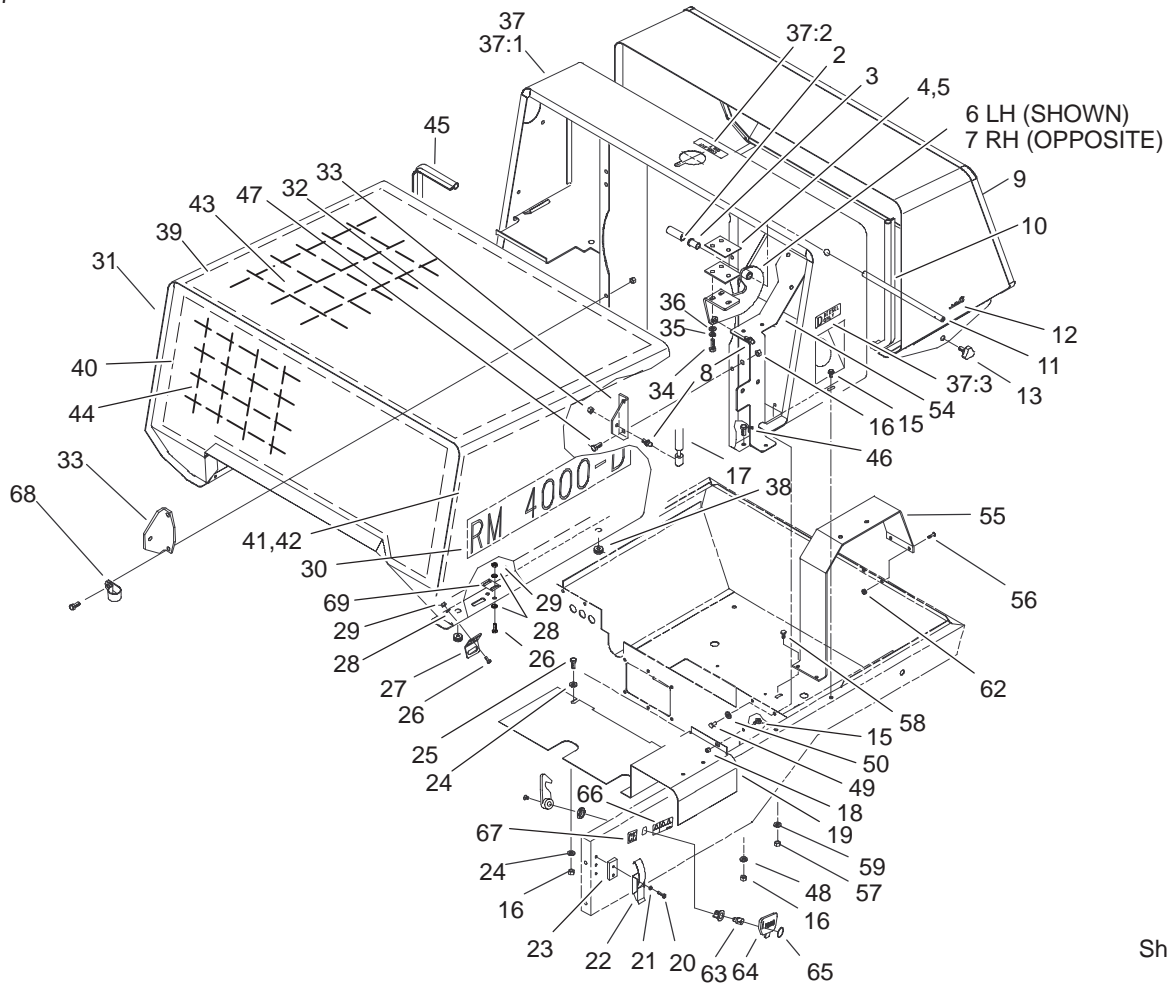


Sheet No.:11
T-3661

Front and Rear Canopy Assembly

| Ref. No. | Part No. | Qty. | Description |
|----------|-------------|------|----------------------|
| 2 | 92-5655 | 2 | Tube-Canopy |
| 3 | 58-3930 | 2 | Bushing-Oilite |
| 4 | 58-5330 | 2 | Spacer-Hinge, Canopy |
| 5 | 58-5350 | 2 | Spacer-Hinge, Canopy |
| 6 | 58-1970-01 | 1 | Plate-Hinge, Left |
| 7 | 58-1980-01 | 1 | Plate-Hinge, Right |
| 8 | 86-6130 | 4 | Ball-Stud |
| 9 | 92-6086 | 1 | Rear Screen ASM |
| 10 | 92-5253 | 1 | Strip-Sealing |
| 11 | 58-3910 | 2 | Pin-Hinge, Canopy |
| 12 | 3290-355 | 2 | Pin-Hair |
| 13 | 77-3620 | 2 | Knob-Retainer |
| 15 | 3234-13 | 5 | Screw-HHF |
| 16 | 3296-29 | 9 | Nut-Lock, NI |
| 17 | 88-6760 | 2 | Spring-Gas |
| 18 | 3296-56 | 1 | Nut-Lock, NI |
| 19 | 105-3330-03 | 1 | Baffle-Body, Lower |
| 20 | 3250-25 | 4 | Screw-PPH |
| 21 | 3253-2 | 4 | Washer-Lock/Sp |
| 22 | 58-5380 | 2 | Latch-Draw |
| 23 | 58-7070-03 | 2 | Spacer-Latch, RH |
| 24 | 3256-23 | 2 | Washer-Flat |
| 25 | 322-3 | 1 | Screw-HH |
| 26 | 3250-31 | 10 | Screw-PPH |

| Ref. No. | Part No. | Qty. | Description |
|----------|------------|------|----------------------|
| 27 | 68-6040 | 2 | Bracket |
| 28 | 3256-51 | 12 | Washer-Flat |
| 29 | 3296-27 | 10 | Nut-Lock NI |
| 30 | 98-3822 | 2 | Decal |
| 31 | 104-5273 | 1 | Canopy-Front |
| 32 | 48-9510 | 2 | Nut |
| 33 | 92-5652-03 | 2 | Bracket |
| 34 | 33114-025 | 6 | Screw-HH |
| 35 | 42-9850 | 6 | Washer-Lock, Spring |
| 36 | 33094-00 | 6 | Washer-Flat |
| 37 | 105-3325 | 1 | Center Canopy ASM |
| 37:1 | 105-3324 | 1 | Canopy-Center |
| 37:2 | 93-9404 | 1 | Decal-Only, Coolant |
| 37:3 | 93-6680 | 1 | Decal-Diesel |
| 38 | 237-141 | 4 | Grommet-Rubber |
| 39 | 92-5678 | 1 | Foam-Hood, Top |
| 40 | 92-5679 | 1 | Foam-Hood, Front |
| 41 | 92-5680 | 1 | Foam-Hood, RH |
| 42 | 92-5681 | 1 | Foam-Hood, LH |
| 43 | 92-5672-03 | 1 | Support-Foam, Canopy |
| 44 | 92-5673-03 | 1 | Support-Foam, Front |
| 45 | 92-6060 | 1 | Strip-Sealing |
| 46 | 322-5 | 4 | Screw-HH |
| 47 | 322-4 | 4 | Screw-HH |
| 48 | 3256-3 | 4 | Washer-Flat |

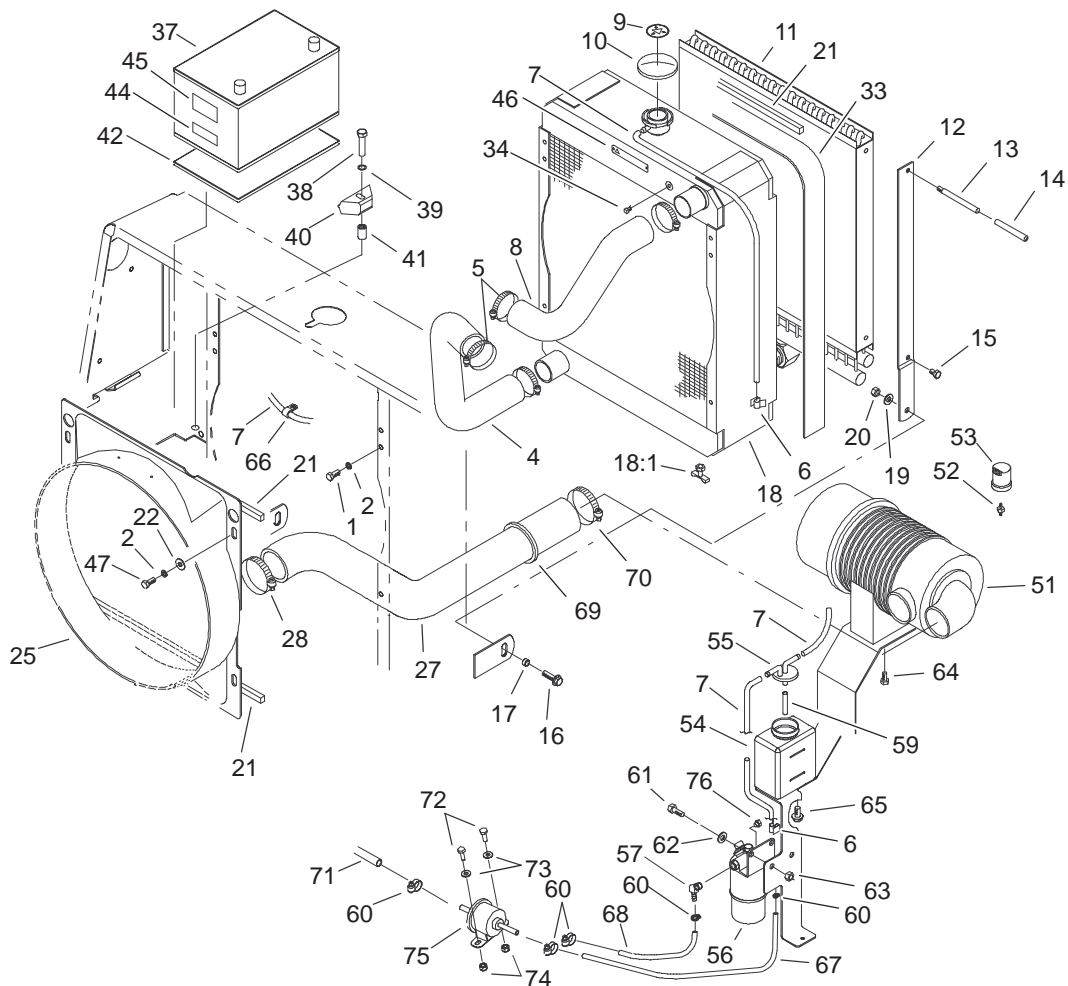


Sheet No.:11
T-3661

Front and Rear Canopy Assembly (Continued)

| Ref. No. | Part No. | Qty. | Description |
|----------|-------------|------|----------------------|
| 49 | 321-2 | 4 | Screw-HH |
| 50 | 3253-3 | 4 | Washer-Lock |
| 54 | 104-5230-03 | 1 | Bracket-Fuel |
| 55 | 94-8226-03 | 1 | Bracket-Cleaner, Air |
| 56 | 32122-42 | 2 | Screw |
| 57 | 3296-42 | 2 | Nut-Lock, NI |
| 58 | 321-3 | 2 | Screw-HH |
| 59 | 3256-22 | 2 | Washer-Flat |
| 62 | 3296-56 | 2 | Nut-Lock, NI |
| 63 | 98-5398 | 1 | Latch |
| 64 | 99-8970 | 1 | Key-Latch, Hood |
| 65 | 98-9321 | 1 | Ring-Key |
| 66 | 100-6574 | 1 | Decal-Warning |
| 67 | 93-7252 | 1 | Decal-International |
| 68 | 2412-109 | 1 | Clip-J |
| 69 | 105-9270 | 1 | Plate-Strike |

| Ref. No. | Part No. | Qty. | Description |
|----------|----------|------|-------------|
| | | | |
| | | | |
| | | | |
| | | | |
| | | | |
| | | | |
| | | | |
| | | | |
| | | | |
| | | | |
| | | | |
| | | | |
| | | | |
| | | | |
| | | | |
| | | | |
| | | | |
| | | | |
| | | | |
| | | | |

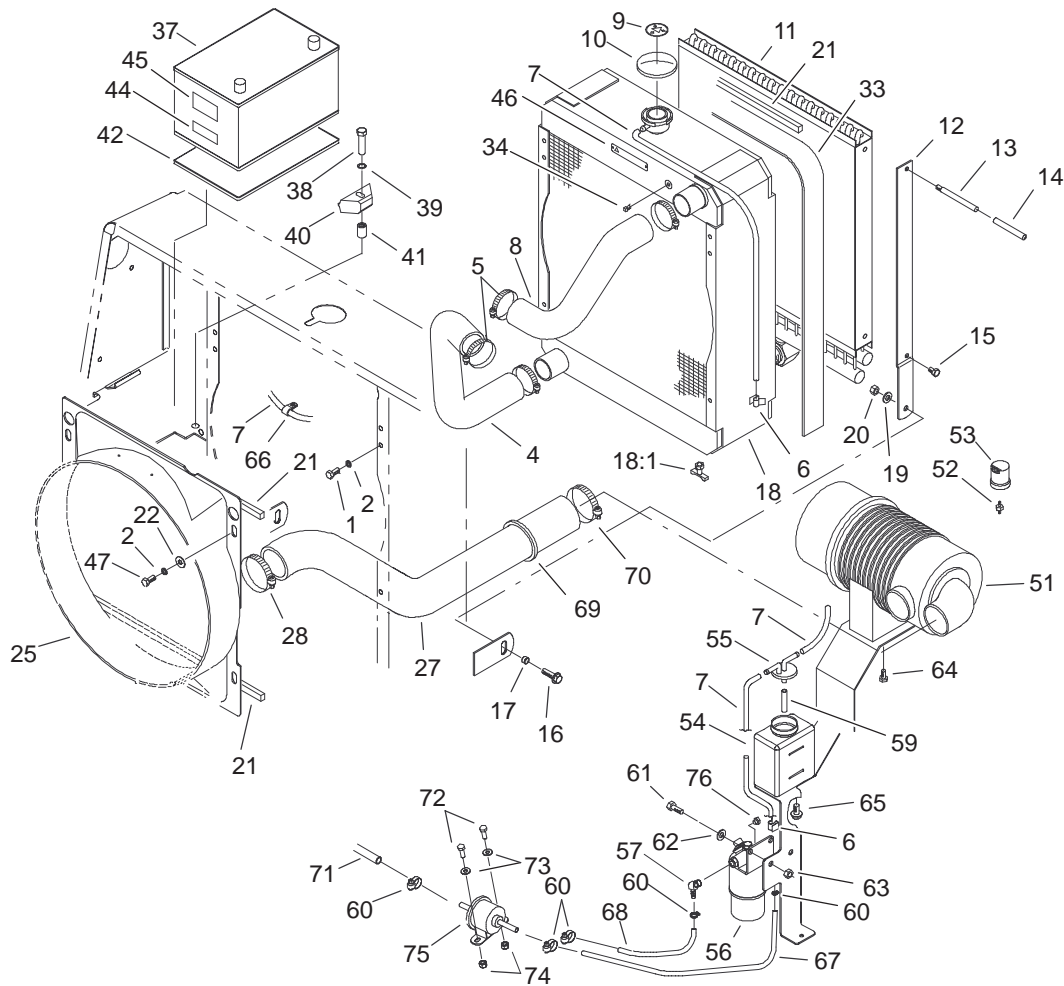


Sheet No.:12

Radiator, Oil Cooler and Air Cleaner Assembly

| Ref. No. | Part No. | Qty. | Description |
|----------|------------|------|----------------------|
| 1 | 322-3 | 2 | Screw-HH |
| 2 | 3253-4 | 6 | Washer-Lock |
| 4 | 98-1215 | 1 | Hose-Lower, Radiator |
| 5 | 2412-92 | 4 | Clamp-Hose |
| 6 | 104-5232 | 4 | Clip-Wire |
| 7 | 98-7895 | 2 | Tube |
| 8 | 98-1214 | 1 | Hose-Radiator, Upper |
| 9 | 59-8440 | 1 | Decal |
| 10 | 58-5420 | 1 | Cap-Pressure |
| 11 | 58-5540 | 1 | Cooler-Oil |
| 12 | 92-4753-03 | 2 | Strap-Cooler, Oil |
| 13 | 75-7790 | 2 | Handle |
| 14 | 47-2550 | 2 | Grip-Handle, Bag |
| 15 | 48-7680 | 2 | Screw-HH |
| 16 | 3234-11 | 2 | Screw-HHF |
| 17 | 76-2290 | 2 | Spacer |
| 18 | 92-4729 | 1 | Radiator ASM |
| 18:1 | 304-46 | 1 | Draincock |
| 19 | 3256-24 | 4 | Washer-Flat |
| 20 | 3296-39 | 2 | Nut-Lock, NI |
| 21 | 68-7575 | 3 | Strip-Sealing |
| 22 | 3256-71 | 4 | Washer-Flat |
| 25 | 98-1250 | 1 | Shroud-Fan |
| 27 | 98-1234 | 1 | Hose-Intake |
| 28 | 2412-42 | 1 | Clamp-Hose |
| 33 | 92-6062 | 1 | Foam-Seal, Radiator |

| Ref. No. | Part No. | Qty. | Description |
|----------|-----------|------|------------------------|
| 34 | 281-2 | 1 | Plug-Pipe, Square Head |
| 37 | 93-3220 | 1 | Battery |
| 38 | 323-9 | 1 | Screw-HH |
| 39 | 3256-24 | 1 | Washer-Flat |
| 40 | 66-2490 | 1 | Retainer-Battery |
| 41 | 32148-9 | 1 | Insert-Nut |
| 42 | 93-1420 | 1 | Tray-Battery |
| 44 | 93-6668 | 1 | Decal-Battery |
| 45 | 93-7276 | 1 | Decal-Danger |
| 46 | 93-6681 | 1 | Decal-Warning, Fan |
| 47 | 322-4 | 4 | Screw-HH |
| 51 | 100-2597 | 1 | Air Filter ASM |
| 52 | 94-1416 | 1 | Indicator Adapter ASM |
| 53 | 69-1940 | 1 | Indicator-Electrical |
| 54 | 93-2049 | 1 | Tank-Overflow |
| 55 | 93-2048 | 1 | Cap-Tank, Overflow |
| 56 | 104-5218 | 1 | Filter-Water/Fuel Sep. |
| 57 | 353-781 | 2 | Fitting |
| 59 | 94-1348 | 1 | Hose-Fuel |
| 60 | 2412-108 | 5 | Clamp-Worm |
| 61 | 322-5 | 2 | Screw-HH |
| 62 | 3256-23 | 2 | Washer-Flat |
| 63 | 3296-29 | 2 | Nut-Lock, NI |
| 64 | 33104-016 | 2 | Screw-HHF |
| 65 | 33114-016 | 2 | Screw-HH |

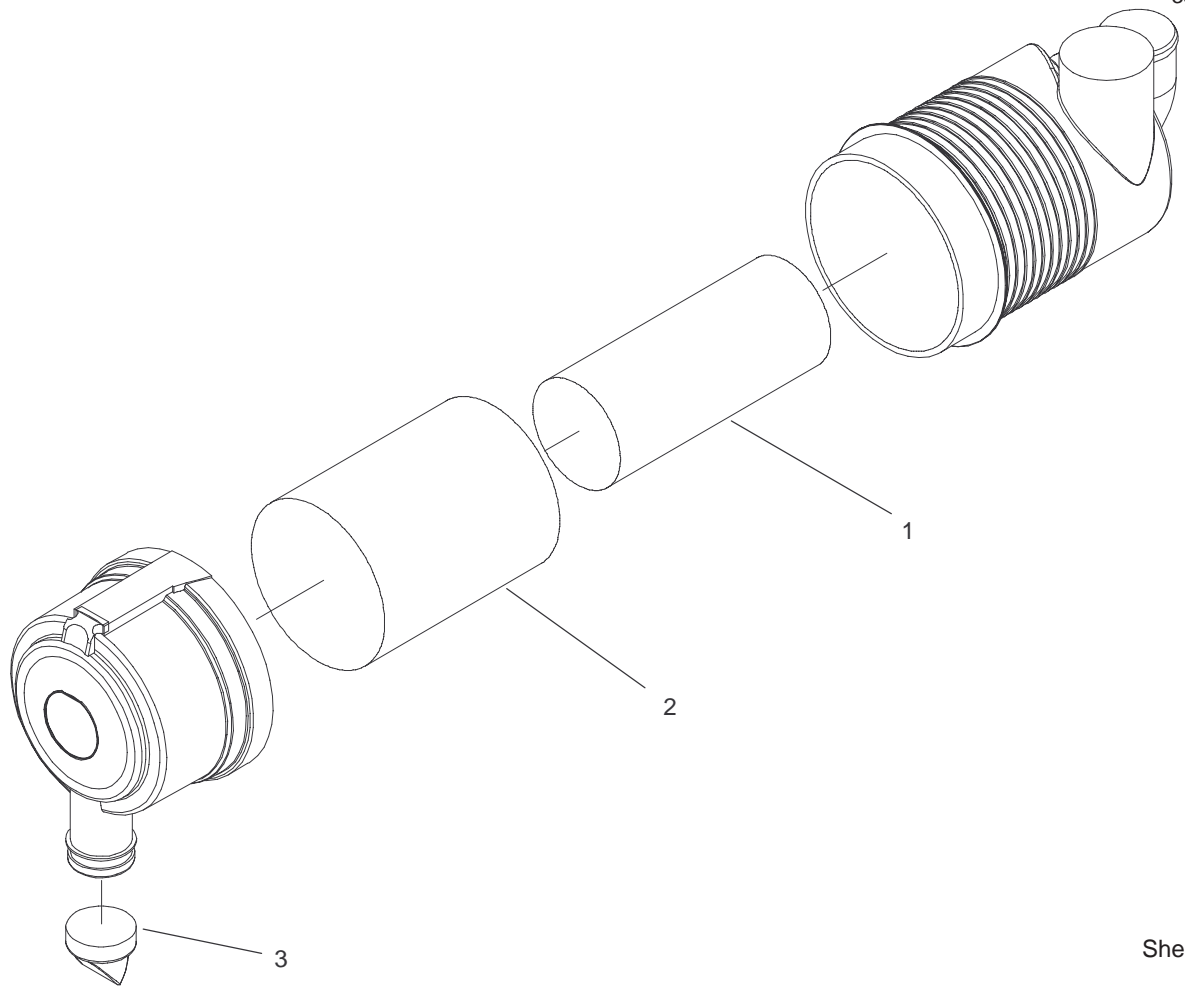


Sheet No.:12

Radiator, Oil Cooler and Air Cleaner Assembly (Continued)

| Ref. No. | Part No. | Qty. | Description |
|----------|----------|------|---------------------|
| 66 | 92-6064 | 1 | R Clamp |
| 67 | 104-4848 | 1 | Hose-Fuel |
| 68 | 63-7630 | 1 | Hose-Fuel |
| 69 | 98-7896 | 1 | Trim Lok |
| 70 | 2412-125 | 1 | Clamp-Hose |
| 71 | 23-2140 | 1 | Hose-Fuel |
| 72 | 321-4 | 2 | Screw-HH |
| 73 | 3256-1 | 2 | Washer-Flat |
| 74 | 3296-42 | 2 | Nut-Lock, NI |
| 75 | 104-5215 | 1 | Pump-Fuel, Electric |
| 76 | 281-13 | 2 | Plug-Pipe |

| Ref. No. | Part No. | Qty. | Description |
|----------|----------|------|-------------|
| | | | |
| | | | |
| | | | |
| | | | |
| | | | |
| | | | |
| | | | |
| | | | |
| | | | |
| | | | |
| | | | |
| | | | |
| | | | |
| | | | |

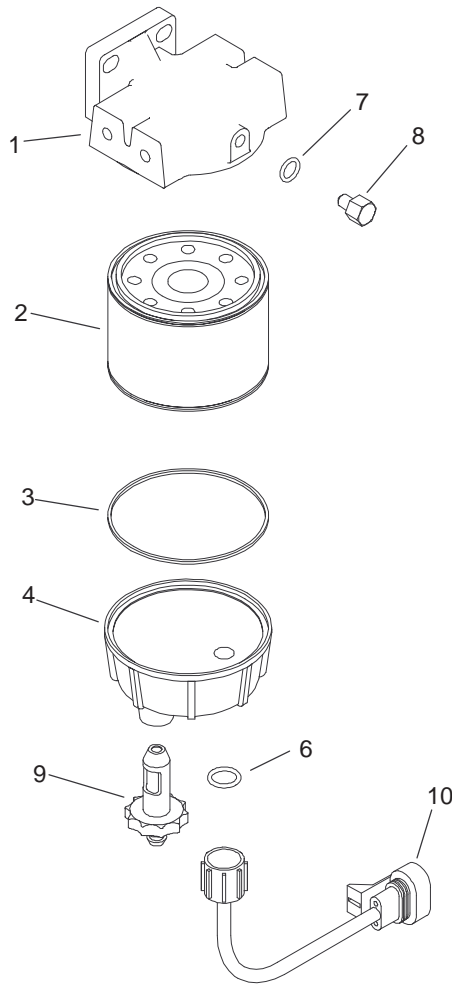


Sheet No.:A6
T-3774

Air Filter Assembly No. 100-2597

| Ref. No. | Part No. | Qty. | Description |
|----------|----------|------|------------------|
| 1 | 93-9162 | 1 | Filter-Primary |
| 2 | 93-9163 | 1 | Filter-Secondary |
| 3 | 94-1414 | 1 | Valve-Vacuator |

| Ref. No. | Part No. | Qty. | Description |
|----------|----------|------|-------------|
| | | | |
| | | | |
| | | | |

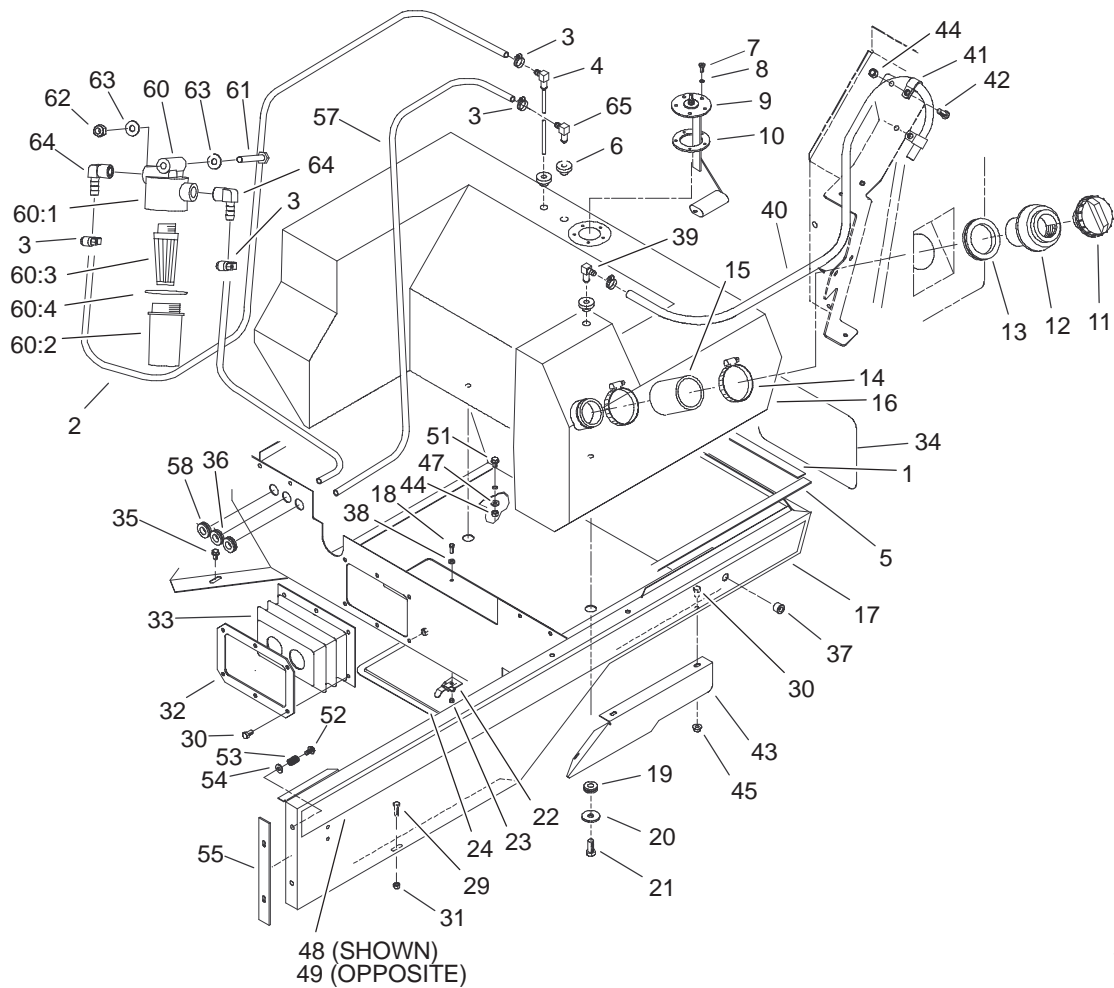


Sheet No.:A7

Fuel Filter Assembly No. 104-5218

| Ref. No. | Part No. | Qty. | Description |
|----------|----------|------|---------------------|
| 1 | 98-9772 | 1 | Head-Filter |
| 2 | 98-9764 | 1 | Element-On, Spin |
| 3 | 98-9774 | 1 | O-Ring-Base, Filter |
| 4 | 98-9775 | 1 | Base-Filter |
| 6 | 237-42 | 1 | O-Ring |
| 7 | 237-78 | 1 | O-Ring |
| 8 | 98-9776 | 1 | Plug-Head, Filter |
| 9 | 98-9777 | 1 | Drain Valve ASM |
| 10 | 104-5219 | 1 | Probe-Water |

| Ref. No. | Part No. | Qty. | Description |
|----------|----------|------|-------------|
| | | | |
| | | | |
| | | | |
| | | | |
| | | | |
| | | | |
| | | | |
| | | | |
| | | | |
| | | | |

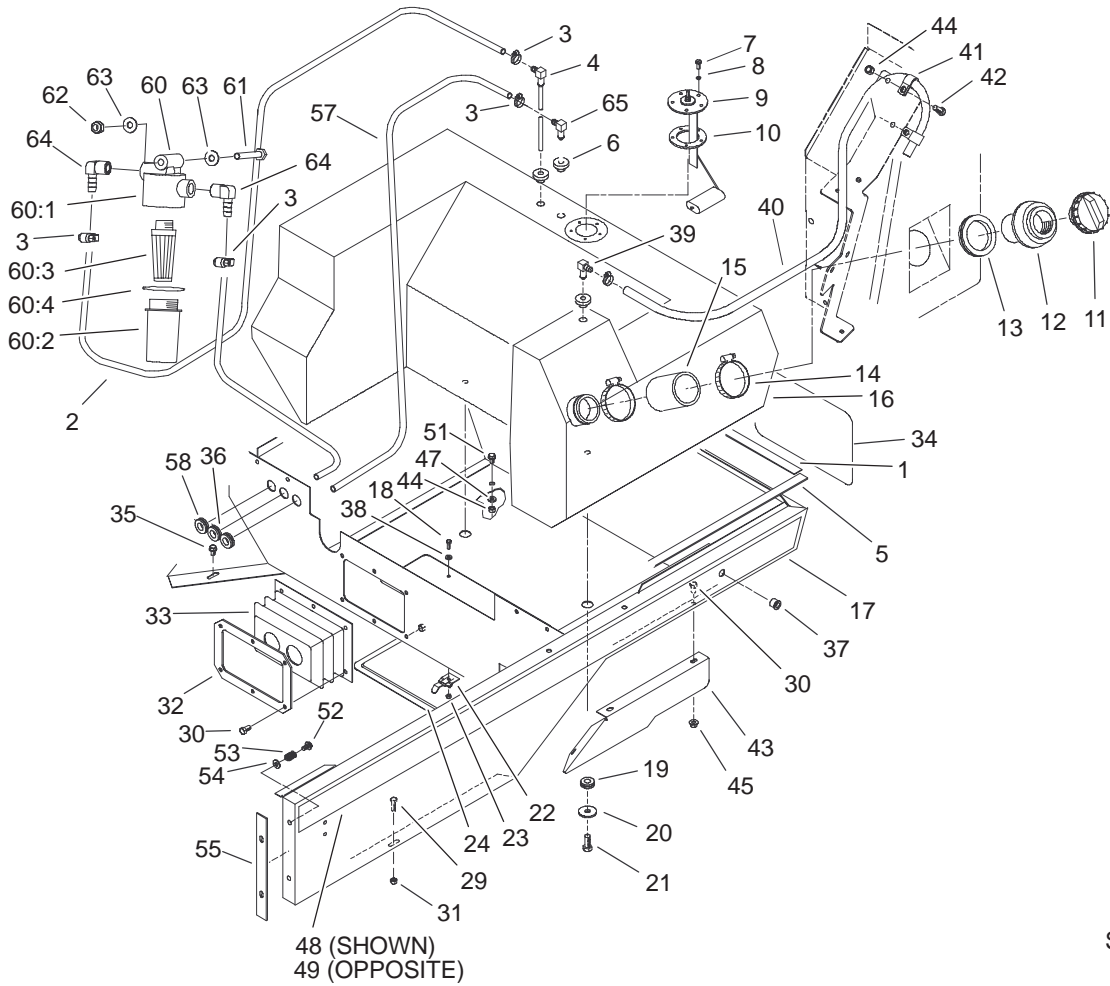


Sheet No.:13

T-3861

Fuel Tank and Lower Body Assembly

| Ref. No. | Part No. | Qty. | Description | Ref. No. | Part No. | Qty. | Description |
|----------|-------------|------|---------------------|----------|------------|------|---------------------|
| 1 | 92-5671 | 1 | Strip-Sealing | 30 | 321-2 | 9 | Screw-HH |
| 2 | 47-7450 | 1 | Hose-Fuel | 31 | 3296-56 | 7 | Nut-Lock, NI |
| 3 | 2412-108 | 5 | Clamp-Worm | 32 | 92-5653-03 | 1 | Ring-Clamp |
| 4 | 92-9266 | 1 | Standpipe | 33 | 92-5269 | 1 | Bellows |
| 5 | 92-5670 | 2 | Strip-Sealing | 34 | 66-6140 | 1 | Decal-Logo, Toro |
| 6 | 46-6560 | 3 | Bushing | 35 | 3234-13 | 2 | Screw-HHF |
| 7 | 32122-24 | 5 | Screw-Pth | 36 | 240-9 | 2 | Grommet |
| 8 | 3253-15 | 5 | Washer-Lock/Sp | 37 | 32148-9 | 2 | Insert-Nut |
| 9 | 92-9267 | 1 | Sender-Fuel | 38 | 3256-51 | 4 | Washer-Flat |
| 10 | 62-7650 | 1 | Gasket | 39 | 46-6550 | 1 | Fitting-HYD, 90° |
| 11 | 93-3102 | 1 | Cap-Fuel | 40 | 92-9283 | 1 | Hose-Fuel |
| 12 | 92-5674 | 1 | Neck-Fill, Fuel | 41 | 92-6064 | 2 | R Clamp |
| 13 | 92-5675 | 1 | Grommet | 42 | 322-3 | 2 | Screw-HH |
| 14 | 2412-42 | 2 | Clamp-Hose | 43 | 92-6069-03 | 1 | Shield-Exhaust |
| 15 | 92-9272 | 1 | Hose-Fill, Fuel | 44 | 3296-29 | 4 | Nut-Lock, NI |
| 16 | 93-1402 | 1 | Tank-Fuel | 45 | 32128-33 | 3 | Nut-HF |
| 17 | 104-5266-03 | 1 | Body-Lower | 47 | 3256-23 | 2 | Washer-Flat |
| 18 | 32144-1 | 4 | Screw-Taptite | 51 | 3234-17 | 2 | Screw-HHF |
| 19 | 240-11 | 2 | Grommet-Mount, Tank | 52 | 94-8270 | 4 | Bolt-Shoulder |
| 20 | 63-8410 | 2 | Washer | 53 | 63-4220 | 4 | Spring-Compression |
| 21 | 323-5 | 2 | Screw-HH | 54 | 3256-78 | 4 | Washer-Flat |
| 22 | 52-9590 | 4 | Latch-Screen | 55 | 94-8258 | 2 | Strip-Seal |
| 23 | 3296-12 | 4 | Nut-Lock | 57 | 100-6588 | 1 | Hose-Return |
| 24 | 92-5654-03 | 1 | Panel-Out, Clean | 58 | 60-4350 | 1 | Grommet |
| 29 | 3234-4 | 1 | Screw-HHF | 60 | 99-8351 | 1 | Filter-Fuel, Inline |
| | | | | 60:1 | 99-8356 | 1 | Head W/Label Kit |

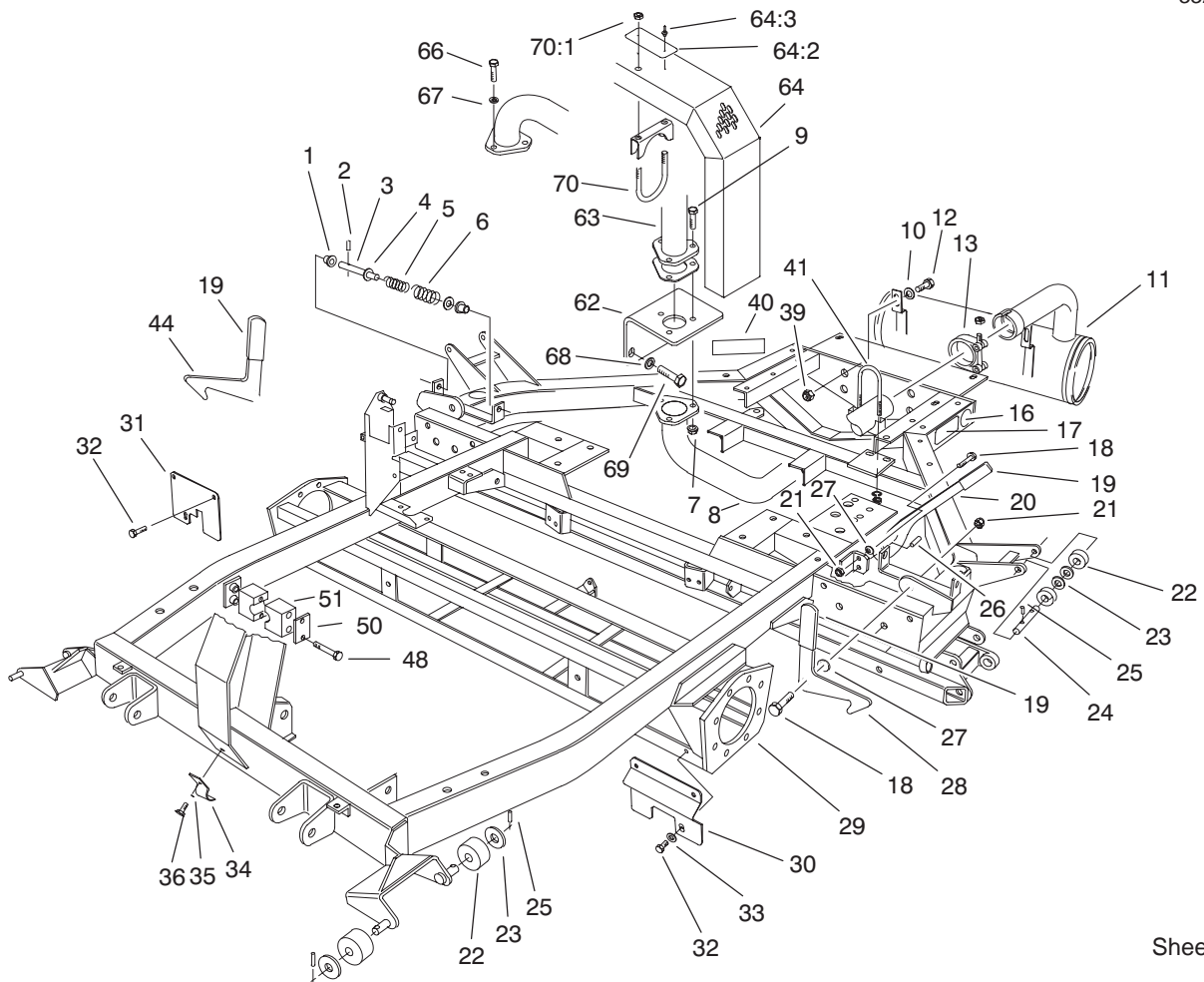


Sheet No.:13

T-3861

Fuel Tank and Lower Body Assembly (Continued)

| Ref. No. | Part No. | Qty. | Description | Ref. No. | Part No. | Qty. | Description |
|----------|----------|------|--------------|----------|----------|------|-------------|
| 60:2 | 99-8357 | 1 | Bowel Kit | | | | |
| 60:3 | 99-8358 | 1 | Element Kit | | | | |
| 60:4 | 99-8359 | 1 | O-Ring | | | | |
| 61 | 321-11 | 1 | Screw-HH | | | | |
| 62 | 3296-42 | 1 | Nut-Lock, NI | | | | |
| 63 | 3256-1 | 2 | Washer-Flat | | | | |
| 64 | 353-781 | 2 | Fitting | | | | |
| 65 | 104-5228 | 1 | Elbow-90° | | | | |



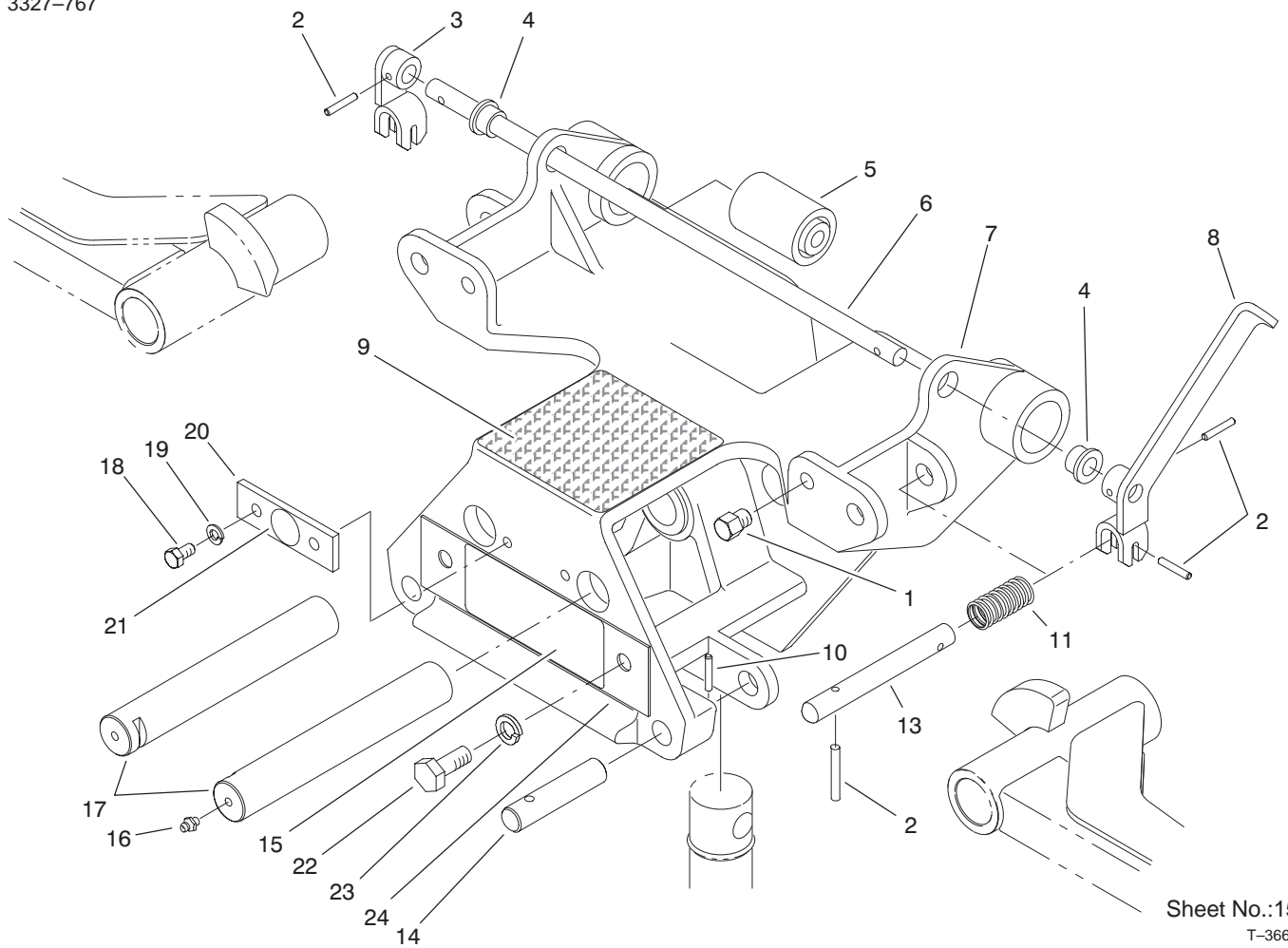
Sheet No.:14

T-3662

Frame and Muffler Assembly (only on: 03707)

| Ref. No. | Part No. | Qty. | Description |
|----------|------------|------|---------------------|
| 1 | 58-2800 | 4 | Bushing |
| 2 | 60-3720 | 2 | Pin-Roll |
| 3 | 58-2810 | 2 | Rod |
| 4 | 3256-7 | 4 | Washer-Flat |
| 5 | 48-6780 | 2 | Spring-Compression |
| 6 | 60-1240 | 2 | Spring |
| 7 | 3296-29 | 3 | Nut-Lock, NI |
| 8 | 98-1230-03 | 1 | Tube-Lower |
| 9 | 322-7 | 3 | Screw-HH |
| 10 | 3256-24 | 4 | Washer-Flat |
| 11 | 92-5273 | 1 | Muffler |
| 12 | 323-9 | 4 | Screw-HH |
| 13 | 2412-132 | 1 | Clamp |
| 16 | 58-6520 | 3 | Decal-Grease |
| 17 | 93-9405 | 2 | Decal-Pressure, Air |
| 18 | 33116-030 | 3 | Screw-HH |
| 19 | 48-7080 | 3 | Grip-Plastic |
| 20 | 86-6570-03 | 1 | Latch |
| 21 | 51-2070 | 3 | Nut |
| 22 | 82-4910 | 8 | Roller |
| 23 | 51-2060 | 8 | Washer |
| 24 | 60-0160 | 2 | Pin |
| 25 | 60-2110 | 8 | Pin |
| 26 | 48-8830 | 1 | Pin-Expansion |
| 27 | 48-8850 | 3 | Spring-Disc |
| 28 | 86-6590-03 | 1 | Latch-LH |

| Ref. No. | Part No. | Qty. | Description |
|----------|------------|------|---------------------|
| 29 | 94-8268-01 | 1 | Frame |
| 30 | 60-4190-03 | 1 | Shield-Grass, LH |
| 31 | 60-4200-03 | 1 | Shield-Grass, RH |
| 32 | 48-6900 | 6 | Screw |
| 33 | 33093-00 | 2 | Washer-Flat |
| 34 | 60-2080 | 1 | Clamp-Hose |
| 35 | 42-9850 | 1 | Washer-Lock, Spring |
| 36 | 48-7680 | 1 | Screw-HH |
| 39 | 3296-39 | 4 | Nut-Lock, NI |
| 40 | 88-6700 | 1 | Decal-Ansi |
| 41 | 76-3560 | 1 | Clamp |
| 44 | 86-6580-03 | 1 | Latch-RH |
| 48 | 321-9 | 2 | Screw-HH |
| 50 | 82-2980 | 1 | Plate-Cover |
| 51 | 82-2990 | 2 | Clamp-Half |
| 62 | 98-1246-03 | 1 | Bracket-Exhaust |
| 63 | 98-1231-03 | 1 | Tube-Upper |
| 64 | 98-7890 | 1 | Shield-Exhaust |
| 64:2 | 95-0645 | 1 | Plate-Surface, Hot |
| 64:3 | 3290-271 | 2 | Rivet-Pop |
| 66 | 33114-025 | 3 | Screw-HH |
| 67 | 42-9850 | 3 | Washer-Lock, Spring |
| 68 | 43-5940 | 2 | Lockwasher-Spring |
| 69 | 42-9250 | 2 | Bolt |
| 70 | 2112-6 | 2 | Clamp-Muffler |
| 70:1 | 3218-2 | 2 | Nut-Jam |

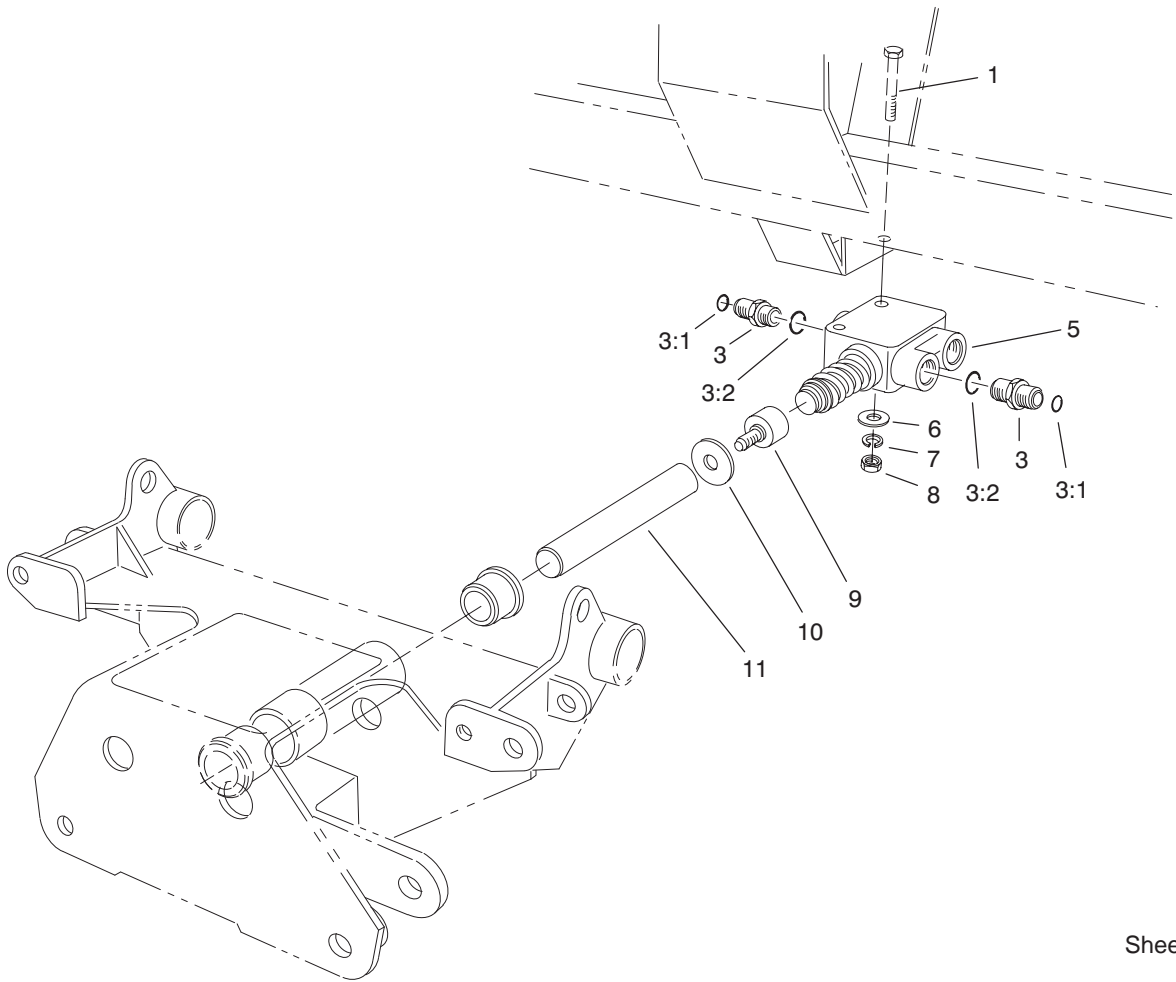


Sheet No.:15
T-3663

Front Carrier Assembly

| Ref. No. | Part No. | Qty. | Description |
|----------|------------|------|-----------------------------|
| 1 | 82-9250 | 2 | Stud-Threaded |
| 2 | 60-2000 | 6 | Pin |
| 3 | 60-1750-03 | 1 | Lever-Latching, RH |
| 4 | 60-1990 | 2 | Bushing |
| 5 | 47-7010 | 2 | Bushing-Rubber |
| 6 | 60-1820 | 1 | Shaft-Pivot, Latch |
| 7 | 74-2920-03 | 1 | Carrier-Front |
| 8 | 60-1780-03 | 1 | Lever-Latching, LH |
| 9 | 82-9370 | 1 | Pad-Step, Front |
| 10 | 32121-84 | 2 | Pin-Coil |
| 11 | 60-0670 | 2 | Spring |
| 13 | 82-9360 | 2 | Rod-Latch |
| 14 | 58-2720 | 2 | Pin |
| 15 | 93-9400 | 1 | Decal-Danger |
| 16 | 302-5 | 2 | Fitting-Grease |
| 17 | 60-0090 | 2 | Pin-Pivot, Lift Arms #1,2,3 |
| 18 | 322-2 | 2 | Screw-HH |
| 19 | 3253-4 | 2 | Washer-Lock |
| 20 | 60-0190 | 1 | Strip |
| 21 | 58-6520 | 1 | Decal-Grease |
| 22 | 325-2 | 2 | Screw-HH |
| 23 | 3253-7 | 2 | Washer-Lock |
| 24 | 84-6480 | 1 | Plate-Decal |

| Ref. No. | Part No. | Qty. | Description |
|----------|----------|------|-------------|
| | | | |

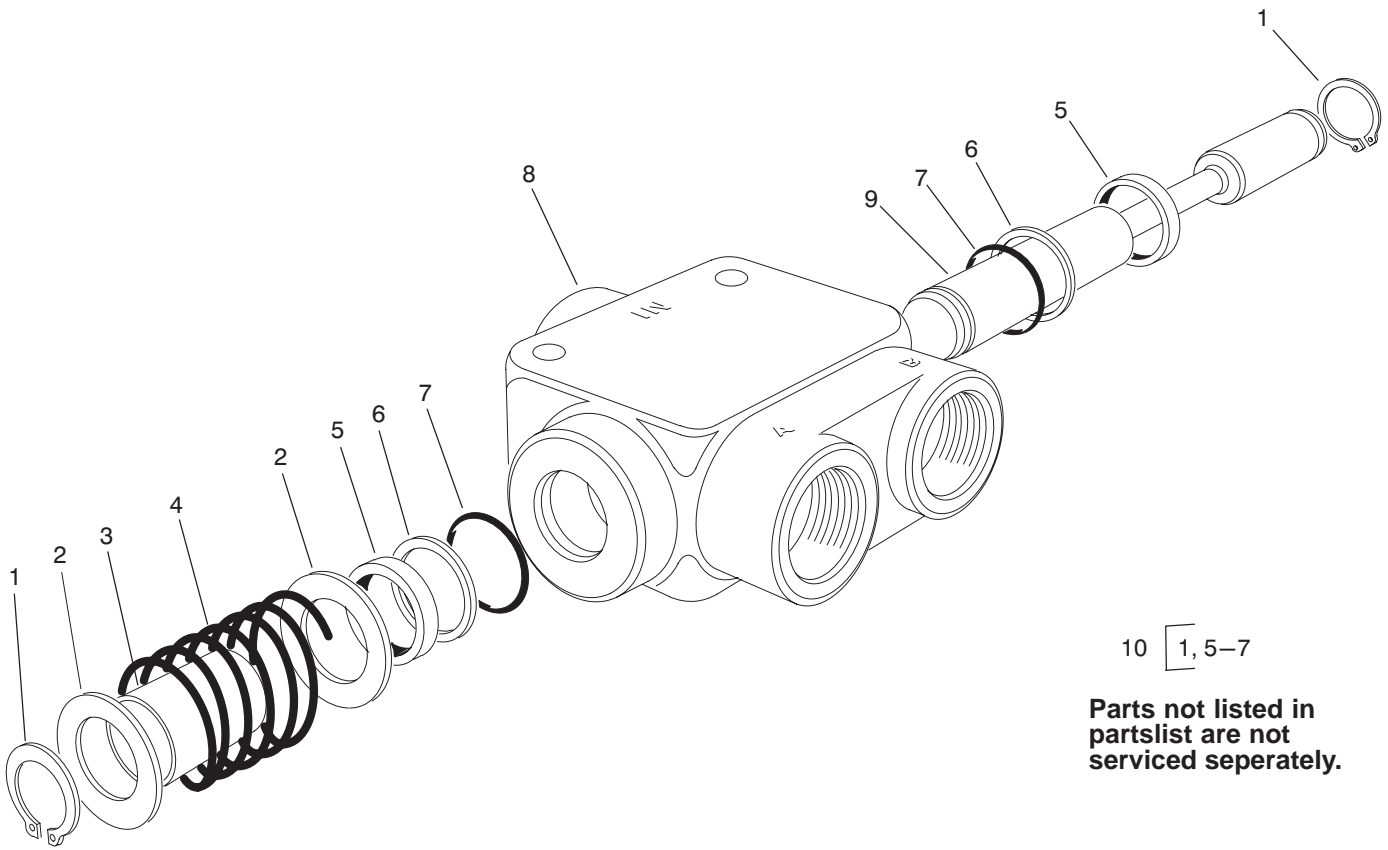


Sheet No.:16
T-3664

Front Reel Shut-Off Assembly

| Ref. No. | Part No. | Qty. | Description |
|----------|----------|------|----------------|
| 1 | 322-12 | 2 | Screw-HH |
| 3 | 340-7 | 3 | Adapter |
| 3:1 | 237-65 | 1 | O-Ring |
| 3:2 | 237-80 | 1 | O-Ring |
| 5 | 58-5460 | 1 | Valve-Selector |
| 6 | 3256-23 | 2 | Washer-Flat |
| 7 | 3253-4 | 2 | Washer-Lock |
| 8 | 3217-6 | 2 | Nut-Hex |
| 9 | 59-7140 | 1 | Bushing-Rubber |
| 10 | 3256-68 | 3 | Washer-Flat |
| 11 | 60-0300 | 1 | Rod-Push |

| Ref. No. | Part No. | Qty. | Description |
|----------|----------|------|-------------|
| | | | |



10 1, 5-7

Parts not listed in partslist are not serviced seperately.

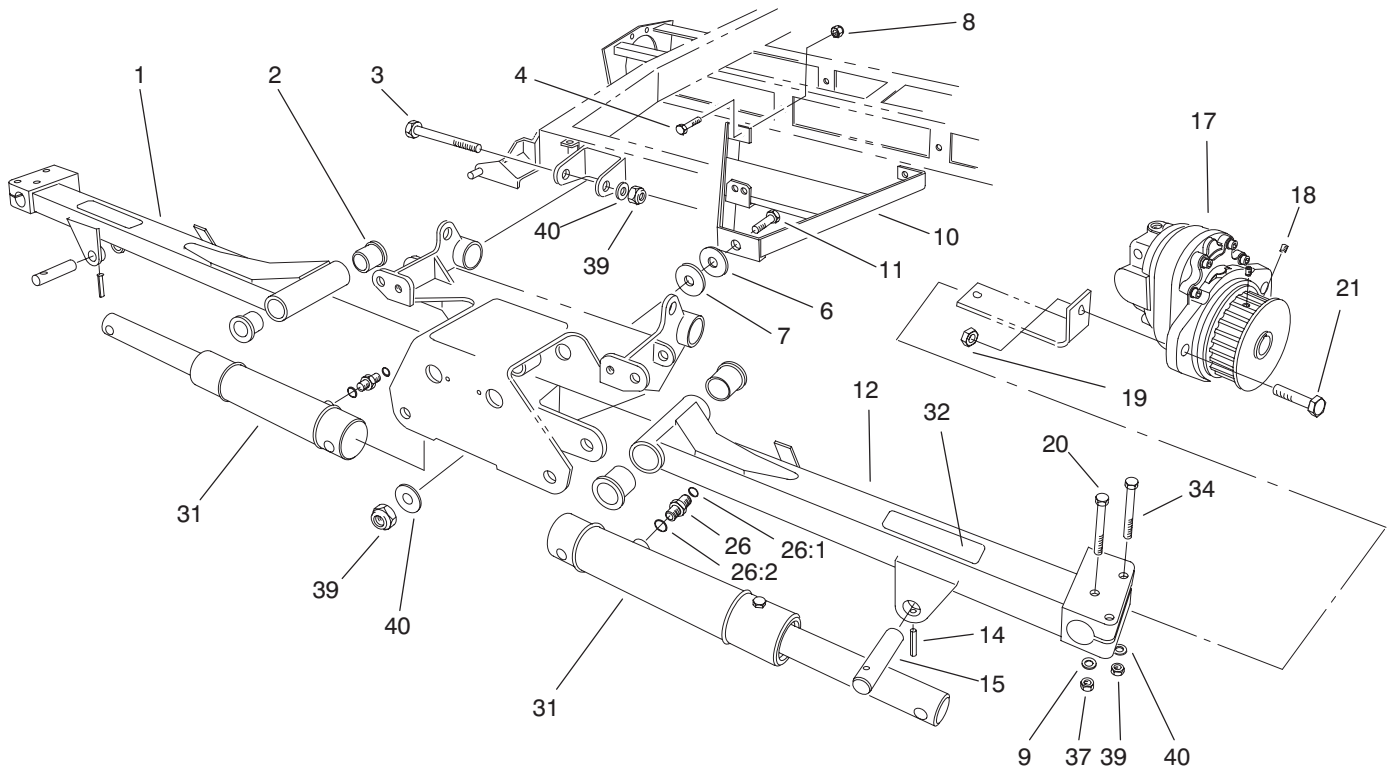
Sheet No.:A8
T-3665

Reel Shut-Off Valve Assembly No. 58-5460

| Ref. No. | Part No. | Qty. | Description |
|----------|----------|------|-----------------|
| 2 | 59-7820 | 2 | Washer |
| ☆3 | | 1 | Spacer |
| 4 | 59-7840 | 1 | Spring |
| ☆8 | | 1 | Body |
| ☆9 | | 1 | Spool |
| 10 | 59-7890 | 1 | Seal Repair Kit |

| Ref. No. | Part No. | Qty. | Description |
|----------|----------|------|-------------|
| | | | |

☆ Not serviced separately



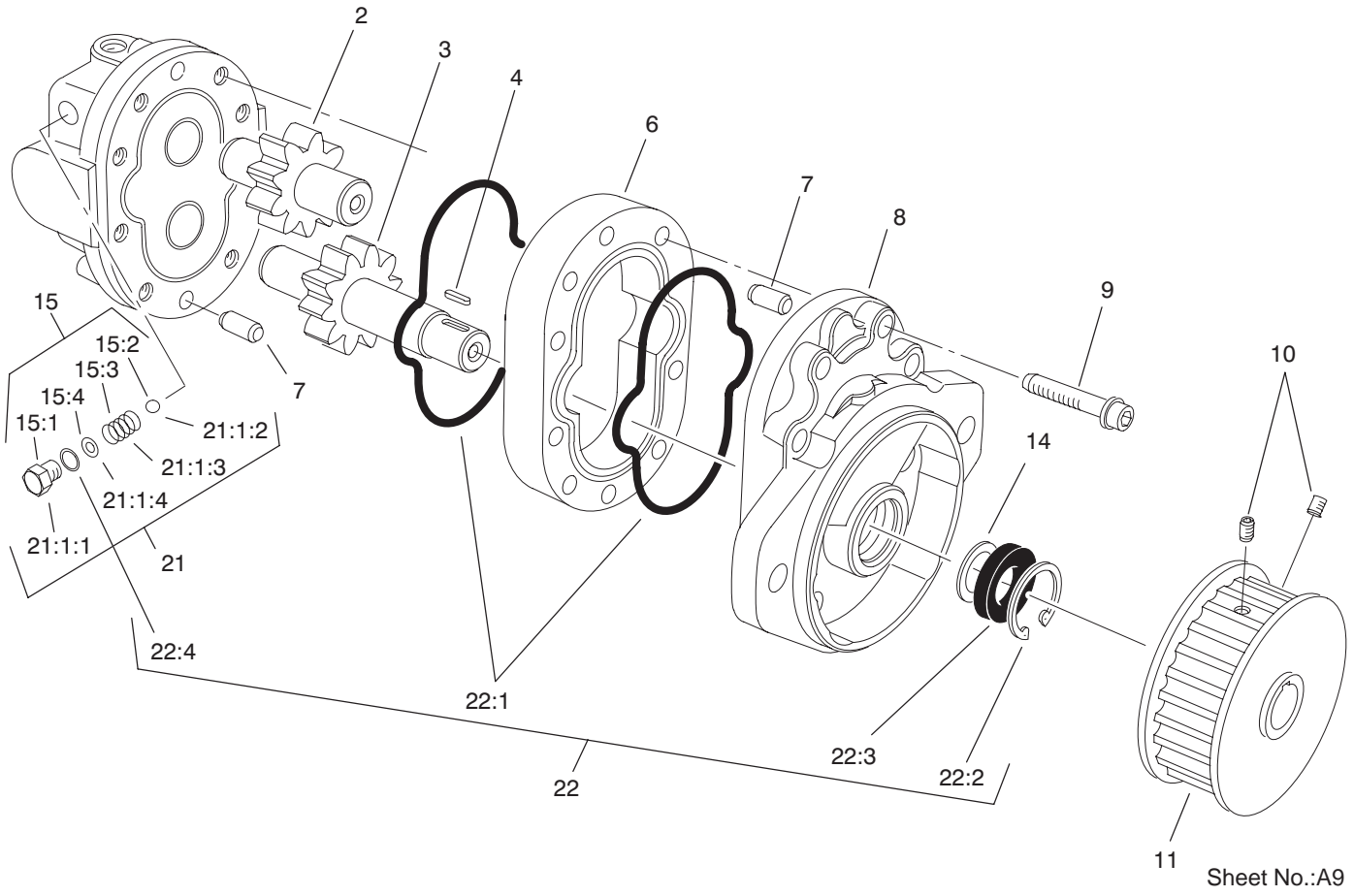
Sheet No.:17

T-3666

Front lift Arm and A-Frame Assembly

| Ref. No. | Part No. | Qty. | Description |
|----------|------------|------|-----------------------|
| 1 | 92-9291-01 | 1 | Arm-Lift, #3 |
| 2 | 68-6480 | 4 | Bushing-Flange |
| 3 | 325-17 | 2 | Screw-HH |
| 4 | 323-7 | 2 | Screw-HH |
| 6 | 52-6180 | 3 | Spacer |
| 7 | 60-3250 | 1 | Washer |
| 8 | 3290-357 | 2 | Nut-HHF |
| 9 | 3256-56 | 2 | Washer-Flat |
| 10 | 92-9246-03 | 1 | A-Frame |
| 11 | 325-7 | 1 | Screw-HH |
| 12 | 92-9290-01 | 1 | Arm-Lift, #2 |
| 14 | 60-1280 | 2 | Pin |
| 15 | 58-4380 | 2 | Pin |
| 17 | 93-1412 | 2 | Motor-HYD |
| 18 | 3246-17 | 4 | Setscrew-HSH |
| 19 | 3296-48 | 2 | Nut-Lock NI |
| 20 | 323-14 | 2 | Screw-HH |
| 21 | 324-6 | 2 | Screw-HH |
| 26 | 340-2 | 2 | Fitting-HYD, Straight |
| 26:1 | 237-22 | 1 | O-Ring |
| 26:2 | 237-42 | 1 | O-Ring |
| 31 | 104-5225 | 2 | Cylinder-HYD |
| 32 | 93-7331 | 2 | Decal-Warning |
| 34 | 325-34 | 4 | Screw-HH |
| 37 | 3296-39 | 2 | Nut-Lock, NI |

| Ref. No. | Part No. | Qty. | Description |
|----------|----------|------|--------------|
| 39 | 3296-23 | 7 | Nut-Lock, NI |
| 40 | 3256-26 | 7 | Washer-Flat |



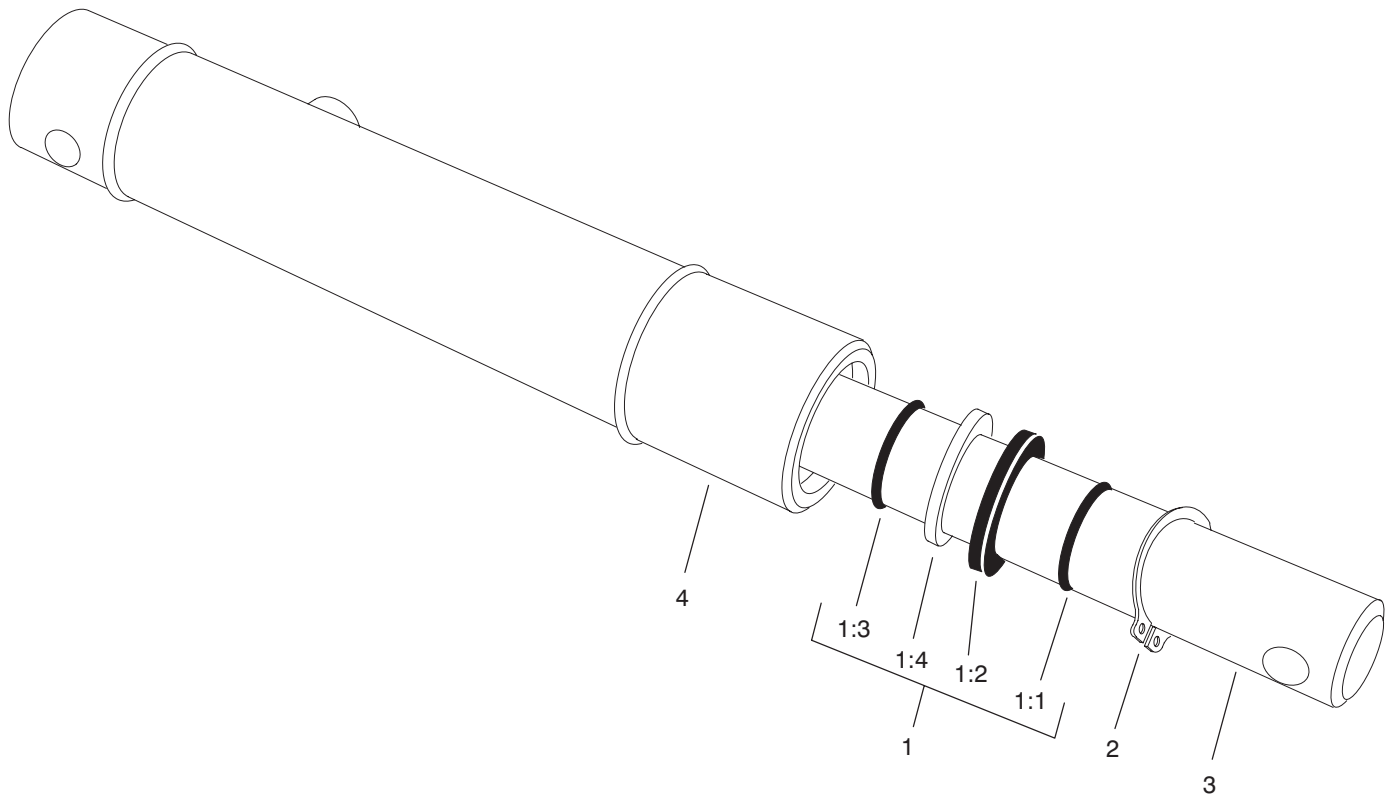
Sheet No.:A9
T-3667

Reel Motor Assembly No. 93-1412

| Ref. No. | Part No. | Qty. | Description |
|----------|----------|------|------------------|
| 2 | 66-5750 | 1 | Idler Gear ASM |
| 3 | 66-5760 | 1 | Drive Gear ASM |
| 4 | 47-2380 | 1 | Key-Square |
| 6 | 66-5740 | 1 | Body ASM |
| 7 | 42-2010 | 2 | Pin-Dowel |
| 8 | 66-5730 | 1 | Front Plate ASM |
| 9 | 66-5770 | 8 | Capscrew |
| 10 | 3246-17 | 2 | Setscrew-HSH |
| 11 | 47-7150 | 1 | Pulley-Drive |
| 14 | 60-5890 | 1 | Washer |
| 15 | 92-9260 | 2 | Relief Valve Kit |
| ★15:1 | | 2 | Plug |
| ★15:2 | | 2 | Ball |
| ★15:3 | | 2 | Spring |
| ★15:4 | | 2 | Shim |
| 21 | 92-9259 | 1 | Backplate ASM |
| ★21:1:1 | | 2 | Plug |
| ★21:1:2 | | 2 | Ball |
| ★21:1:3 | | 2 | Spring |
| ★21:1:4 | | 2 | Shim |
| 22 | 93-1413 | 1 | Seal Kit |
| 22:1 | 59-8420 | 2 | Ring |
| 22:2 | 59-8320 | 1 | Ring-Retaining |
| 22:3 | 66-5710 | 1 | Seal-Shaft |
| ★22:4 | | 2 | O-Ring |

| Ref. No. | Part No. | Qty. | Description |
|----------|----------|------|-------------|
| | | | |
| | | | |
| | | | |
| | | | |
| | | | |
| | | | |
| | | | |
| | | | |
| | | | |
| | | | |
| | | | |
| | | | |
| | | | |
| | | | |
| | | | |
| | | | |
| | | | |
| | | | |
| | | | |
| | | | |
| | | | |
| | | | |
| | | | |
| | | | |
| | | | |

★ Not serviced separately



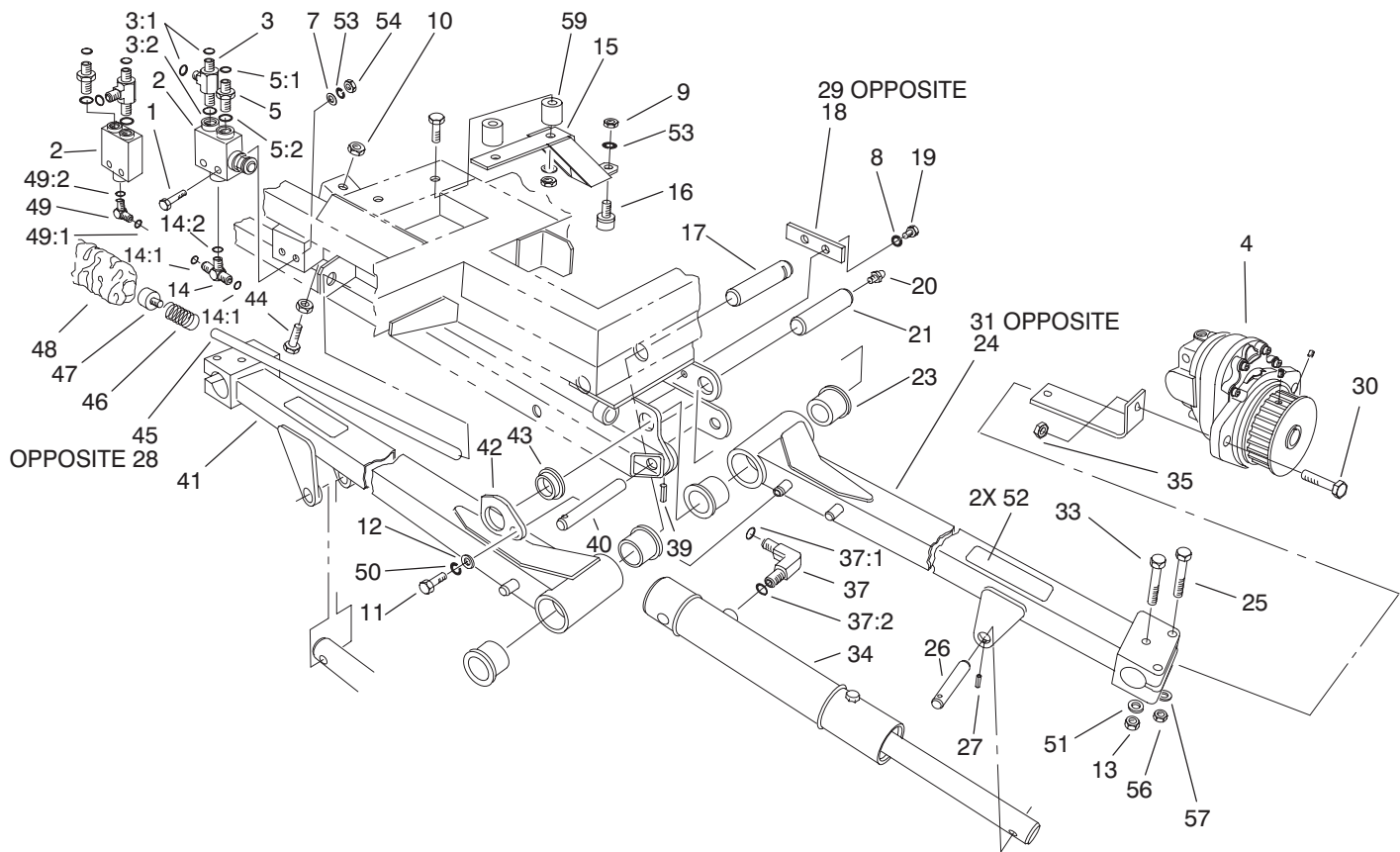
Sheet No.:B1
T-3859

Hydraulic Cylinder Assembly No. 104-5225

| Ref. No. | Part No. | Qty. | Description |
|----------|----------|------|----------------|
| 1 | 104-5227 | 1 | Repair Kit |
| ☆1:1 | | 1 | O-Ring |
| ☆1:2 | | 1 | Backup |
| ☆1:3 | | 1 | Seal-Rod |
| ☆1:4 | | 1 | Seal-Dust |
| ☆2 | | 1 | Ring-Retaining |
| ☆3 | | 1 | Rod |
| ☆4 | | 1 | Barrel |

| Ref. No. | Part No. | Qty. | Description |
|----------|----------|------|-------------|
| | | | |
| | | | |
| | | | |
| | | | |
| | | | |
| | | | |
| | | | |
| | | | |
| | | | |
| | | | |

☆ Not serviced separately



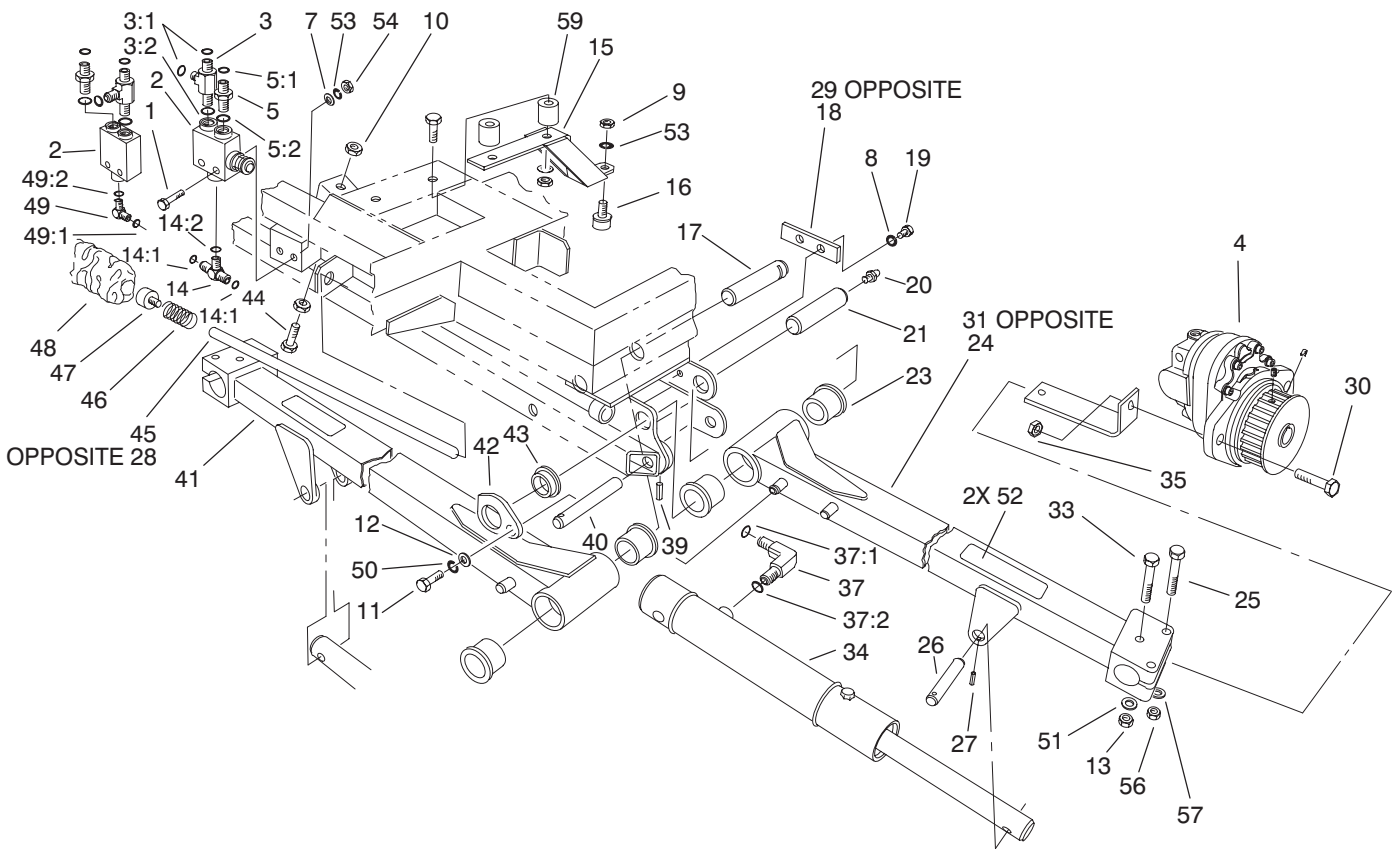
Sheet No.:18

T-3669

Rear Lift Arm and Shut-Off Assembly

| Ref. No. | Part No. | Qty. | Description |
|----------|------------|------|-----------------------------|
| 1 | 322-12 | 4 | Screw-HH |
| 2 | 58-5460 | 2 | Valve-Selector |
| 3 | 340-22 | 2 | Adapter |
| 3:1 | 237-65 | 2 | O-Ring |
| 3:2 | 237-80 | 1 | O-Ring |
| 4 | 93-1412 | 3 | Motor-HYD |
| 5 | 340-7 | 2 | Adapter |
| 5:1 | 237-65 | 1 | O-Ring |
| 5:2 | 237-80 | 1 | O-Ring |
| 7 | 3256-23 | 4 | Washer-Flat |
| 8 | 42-9850 | 4 | Washer-Lock, Spring |
| 9 | 33014-00 | 2 | Nut-Hex |
| 10 | 48-9530 | 2 | Nut |
| 11 | 323-6 | 2 | Screw-HH |
| 12 | 3256-3 | 2 | Washer-Flat |
| 13 | 3296-39 | 3 | Nut-Lock, NI |
| 14 | 340-93 | 1 | Tee-Adapter |
| 14:1 | 237-65 | 2 | O-Ring |
| 14:2 | 237-80 | 1 | O-Ring |
| 15 | 60-1050-03 | 2 | Bracket-Bumper |
| 16 | 48-3280 | 2 | Stop-Bump |
| 17 | 60-0090 | 1 | Pin-Pivot, Lift Arms #1,2,3 |
| 18 | 60-0190 | 1 | Strip |
| 19 | 33114-016 | 4 | Screw-HH |
| 20 | 302-5 | 3 | Fitting-Grease |

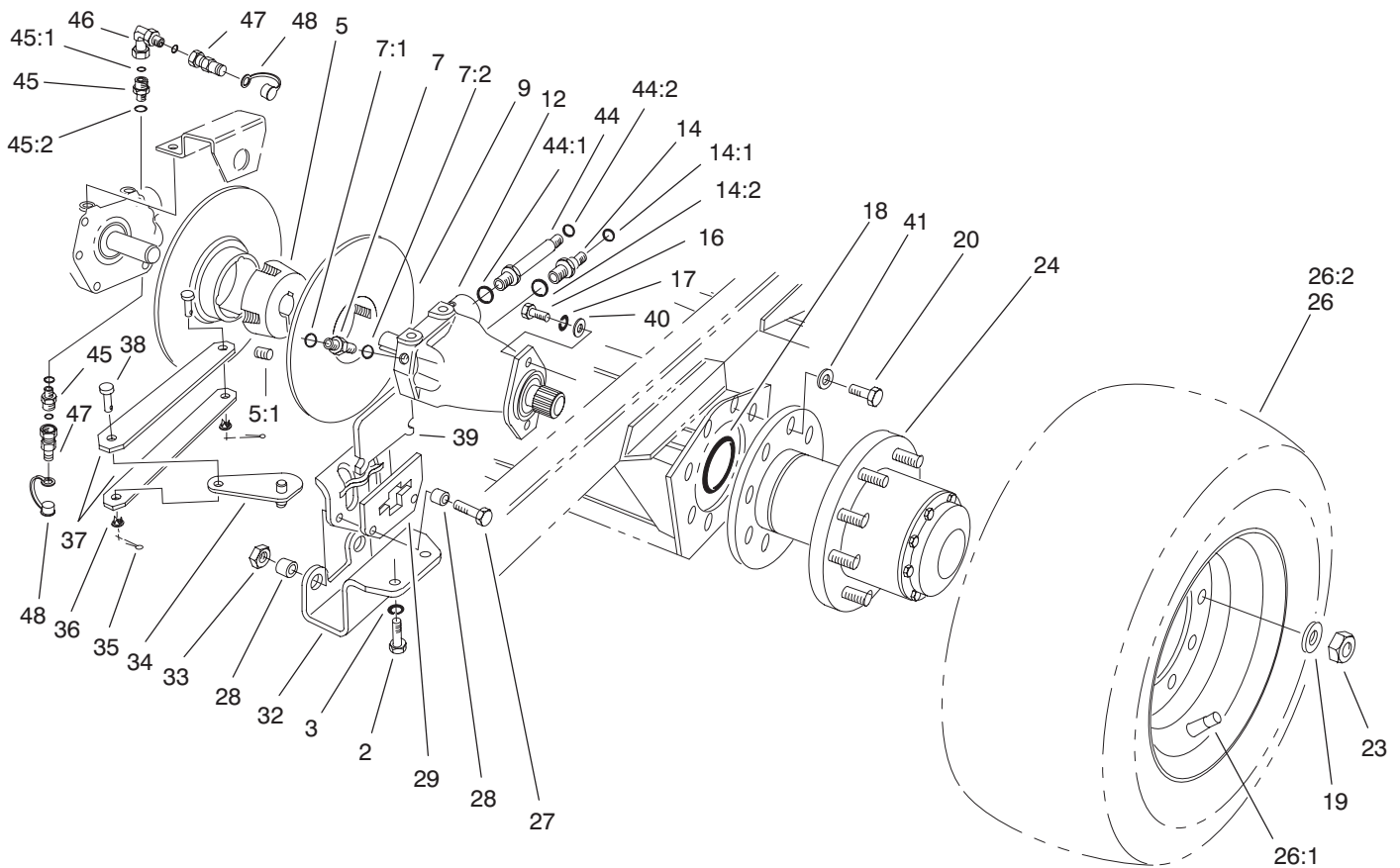
| Ref. No. | Part No. | Qty. | Description |
|----------|------------|------|-----------------------------|
| 21 | 60-0100 | 2 | Pin-Pivot, Lift Arms #4 & 5 |
| 23 | 68-6480 | 6 | Bushing-Flange |
| 24 | 92-9296-01 | 1 | Arm-Lift, #4 |
| 25 | 325-34 | 6 | Screw-HH |
| 26 | 58-4380 | 3 | Pin |
| 27 | 60-1280 | 3 | Pin |
| 28 | 60-1350 | 1 | Rod-Push, #5 Bypass Valve |
| 29 | 60-1640 | 1 | Strip |
| 30 | 324-6 | 3 | Screw-HH |
| 31 | 92-9297-01 | 1 | Arm-Lift, #5 |
| 33 | 323-14 | 3 | Screw-HH |
| 34 | 104-5225 | 3 | Cylinder-HYD |
| 35 | 3296-48 | 3 | Nut-Lock NI |
| 37 | 340-77 | 3 | Fitting-HYD, 90° |
| 37:1 | 237-22 | 1 | O-Ring |
| 37:2 | 237-42 | 1 | O-Ring |
| 39 | 32121-84 | 3 | Pin-Coil |
| 40 | 58-2720 | 3 | Pin |
| 41 | 92-9289-01 | 1 | Arm-Lift, #1 |
| 42 | 58-9210 | 2 | Cam |
| 43 | 60-0080 | 2 | Bushing |
| 44 | 53-5940 | 1 | Screw |
| 45 | 60-1340 | 1 | Rod-Push, #4 Bypass Valve |



Sheet No.:18
T-3669

Rear Lift Arm and Shut-Off Assembly (Continued)

| Ref. No. | Part No. | Qty. | Description | Ref. No. | Part No. | Qty. | Description |
|----------|----------|------|------------------|----------|----------|------|-------------|
| 46 | 58-3570 | 2 | Spring | | | | |
| 47 | 59-7140 | 2 | Bushing-Rubber | | | | |
| 48 | 58-9630 | 2 | Sleeve | | | | |
| 49 | 340-17 | 1 | Fitting-HYD, 90° | | | | |
| 49:1 | 237-65 | 1 | O-Ring | | | | |
| 49:2 | 237-80 | 1 | O-Ring | | | | |
| 50 | 3253-5 | 2 | Washer-Lock | | | | |
| 51 | 3256-56 | 3 | Washer-Flat | | | | |
| 52 | 93-7331 | 3 | Decal-Warning | | | | |
| 53 | 3253-4 | 6 | Washer-Lock | | | | |
| 54 | 3217-6 | 4 | Nut-Hex | | | | |
| 56 | 3296-23 | 6 | Nut-Lock, NI | | | | |
| 57 | 3256-26 | 6 | Washer-Flat | | | | |
| 59 | 80-7590 | 4 | Spacer | | | | |



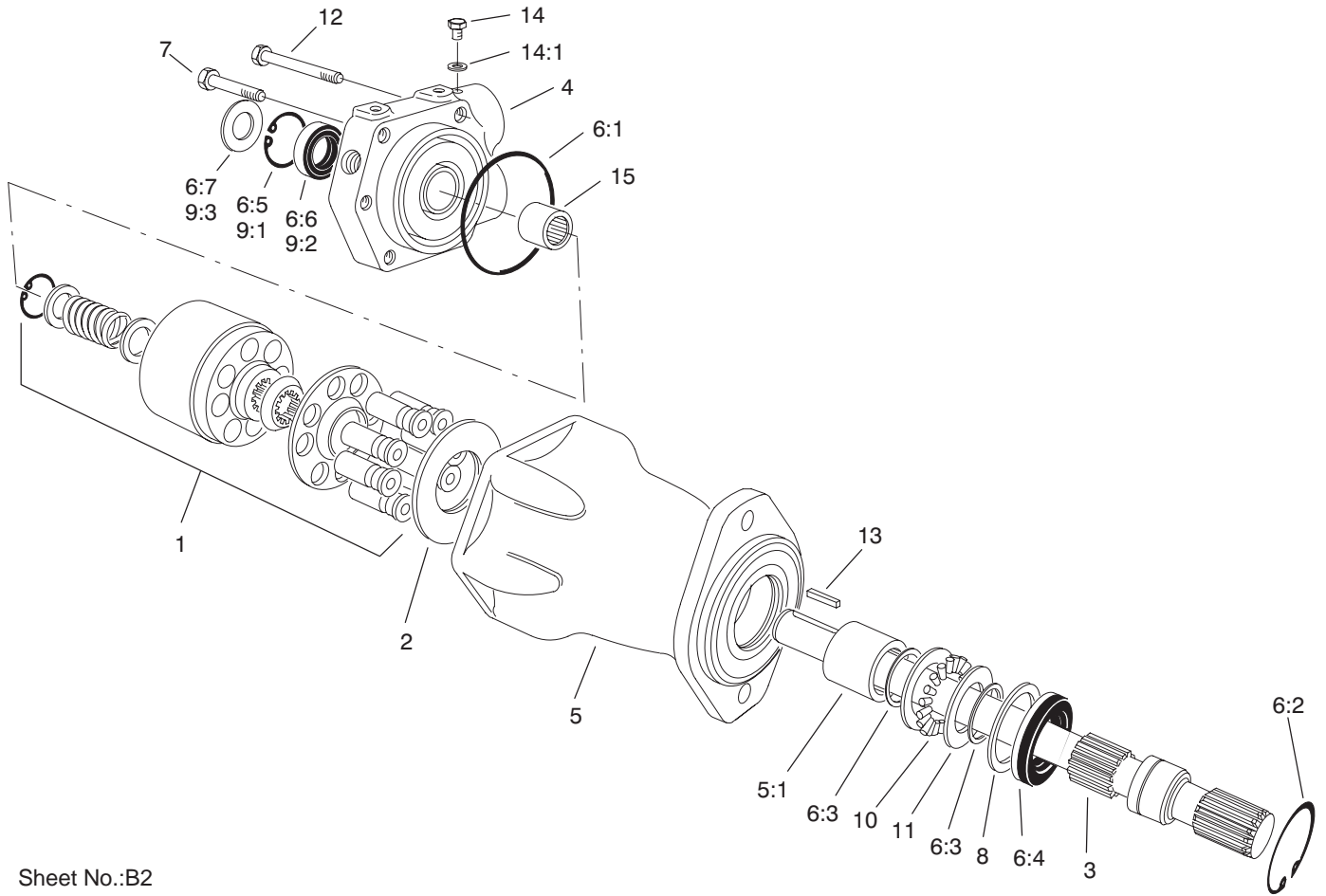
Sheet No.:19

T-3670

Front Wheel and Motor Assembly

| Ref. No. | Part No. | Qty. | Description |
|----------|------------|------|-----------------------------------|
| 2 | 322-3 | 4 | Screw-HH |
| 3 | 3253-4 | 4 | Washer-Lock |
| 5 | 23-1840 | 2 | Bushing-Taperlock |
| 5:1 | 60-6620 | 2 | Screw-Set |
| 7 | 340-2 | 2 | Fitting-HYD, Straight |
| 7:1 | 237-22 | 1 | O-Ring |
| 7:2 | 237-42 | 1 | O-Ring |
| 9 | 58-0070 | 2 | Disc-Brake ASM |
| 12 | 58-5430 | 2 | Piston Motor ASM |
| 14 | 340-9 | 2 | Fitting-Straight (only on: 03707) |
| 14:1 | 237-58 | 1 | O-Ring (only on: 03707) |
| 14:2 | 237-81 | 1 | O-Ring (only on: 03707) |
| 16 | 323-18 | 4 | Screw-HH |
| 17 | 3253-5 | 4 | Washer-Lock |
| 18 | 353-949 | 2 | O-Ring |
| 19 | 3253-7 | 18 | Washer-Lock |
| 20 | 327-3 | 16 | Screw-HH |
| 23 | 3219-5 | 18 | Nut-Hex |
| 24 | 62-6400-03 | 2 | Hub-Wheel, Drive |
| 26 | 66-5660 | 2 | Wheel And Tire ASM |
| 26:1 | 58-5620 | 1 | Tube |
| 26:2 | 63-4480 | 1 | Tire |
| 27 | 323-20 | 4 | Screw-HH |

| Ref. No. | Part No. | Qty. | Description |
|----------|------------|------|------------------------------|
| 28 | 58-3780 | 8 | Tube-Space, Brake Calipers |
| 29 | 29-1060 | 2 | Bracket-Secondary |
| 32 | 58-0110-03 | 2 | Bracket-Caliper, Brake |
| 33 | 3296-39 | 4 | Nut-Lock, NI |
| 34 | 29-1070 | 2 | Lever ASM |
| 35 | 3272-6 | 4 | Pin-Cotter |
| 36 | 60-1740 | 4 | Nut |
| 37 | 58-2300 | 4 | Link-Brake |
| 38 | 283-67 | 4 | Pin-Clevis |
| 39 | 29-1080 | 4 | Stator ASM |
| 40 | 3256-3 | 4 | Washer-Flat |
| 41 | 3253-8 | 16 | Washer-Lock |
| 44 | 92-6058 | 4 | Fitting-HYD (only on: 03706) |
| 44 | 92-6058 | 2 | Fitting-HYD (only on: 03707) |
| 44:1 | 237-81 | 1 | O-Ring |
| 44:2 | 237-58 | 1 | O-Ring |
| 45 | 98-1282 | 2 | Adapter-HYD, Straight |
| 45:1 | 237-22 | 1 | O-Ring |
| 45:2 | 237-118 | 1 | O-Ring |
| 46 | 98-1281 | 1 | Adapter-HYD, 90° |
| 47 | 86-5480 | 2 | Nipple-Test |
| 48 | 353-947 | 2 | Cap-Dust, Rubber |

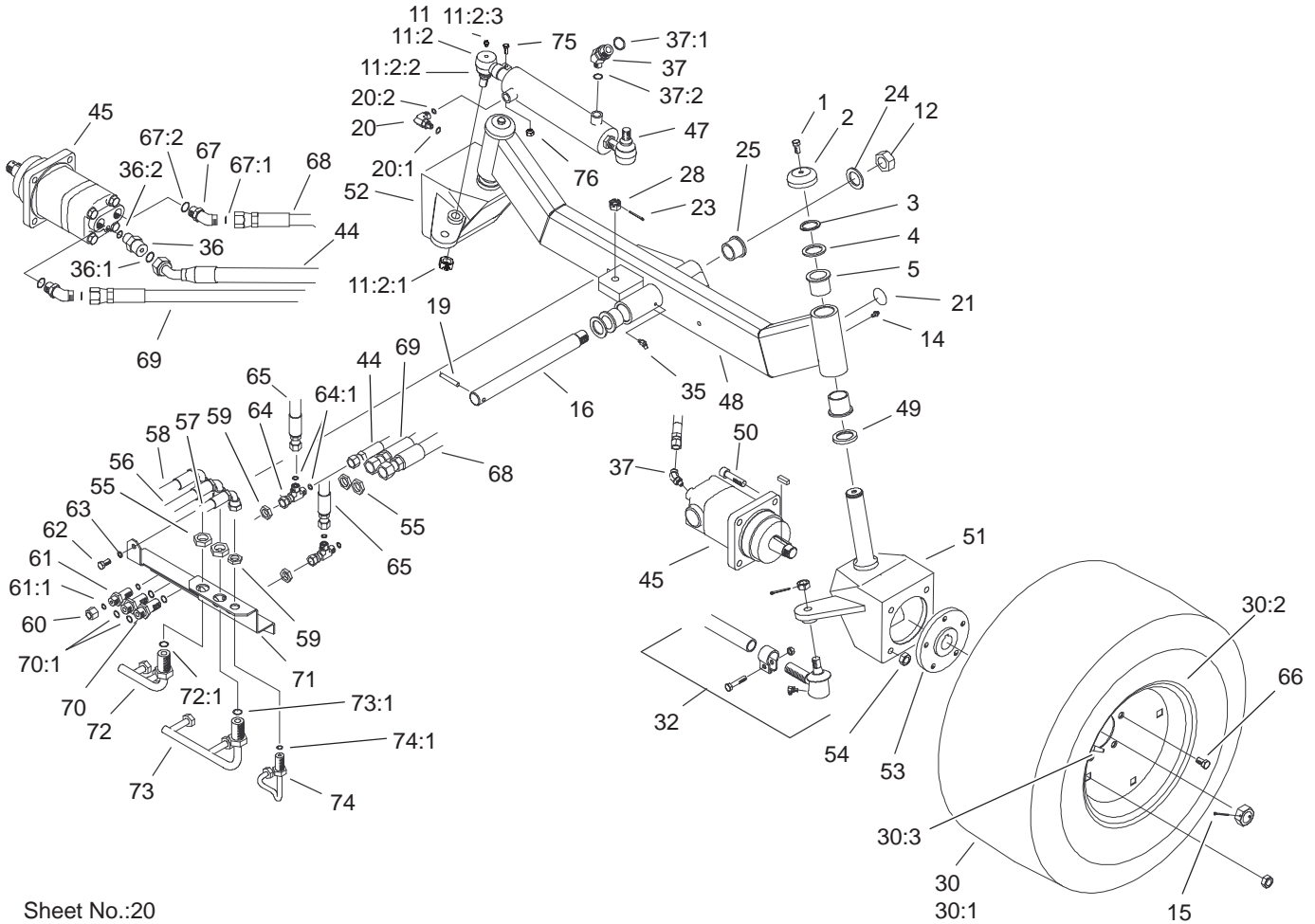


Sheet No.:B2
T-3671

Wheel Motor Assembly No. 58-5430

| Ref. No. | Part No. | Qty. | Description |
|----------|----------|------|----------------|
| 1 | 59-8340 | 1 | Rotating Kit |
| 2 | 59-8350 | 1 | Camplate |
| 3 | 59-8360 | 1 | Shaft |
| 4 | 59-8270 | 1 | Plate |
| 5 | 59-8300 | 1 | Housing |
| 5:1 | 60-3380 | 1 | Bearing |
| 6 | 59-8390 | 1 | Seal Kit |
| 6:1 | 59-8260 | 1 | Ring |
| 6:2 | 32151-13 | 1 | Ring-Retaining |
| 6:3 | 32151-29 | 2 | Ring-Retaining |
| 6:4 | 59-8370 | 1 | Seal |
| 6:5 | 59-8320 | 1 | Ring-Retaining |
| 6:6 | 49-2640 | 1 | Seal-Shaft |
| 6:7 | 84-6440 | 1 | Shield-Grass |
| 7 | 59-8290 | 3 | Capscrew |
| 8 | 33-3720 | 1 | Washer |
| 9 | 66-5840 | 1 | Seal Kit |
| 9:1 | 59-8320 | 1 | Ring-Retaining |
| 9:2 | 49-2640 | 1 | Seal-Shaft |
| 9:3 | 84-6440 | 1 | Shield-Grass |
| 10 | 252-66 | 1 | Bearing-Thrust |
| 11 | 252-71 | 1 | Washer-Thrust |
| 12 | 59-8280 | 3 | Capscrew |
| 13 | 59-8380 | 1 | Key |
| 14 | 353-948 | 2 | Plug |

| Ref. No. | Part No. | Qty. | Description |
|----------|----------|------|-------------|
| 14:1 | 237-118 | 2 | O-Ring |
| 15 | 60-3590 | 1 | Bearing |



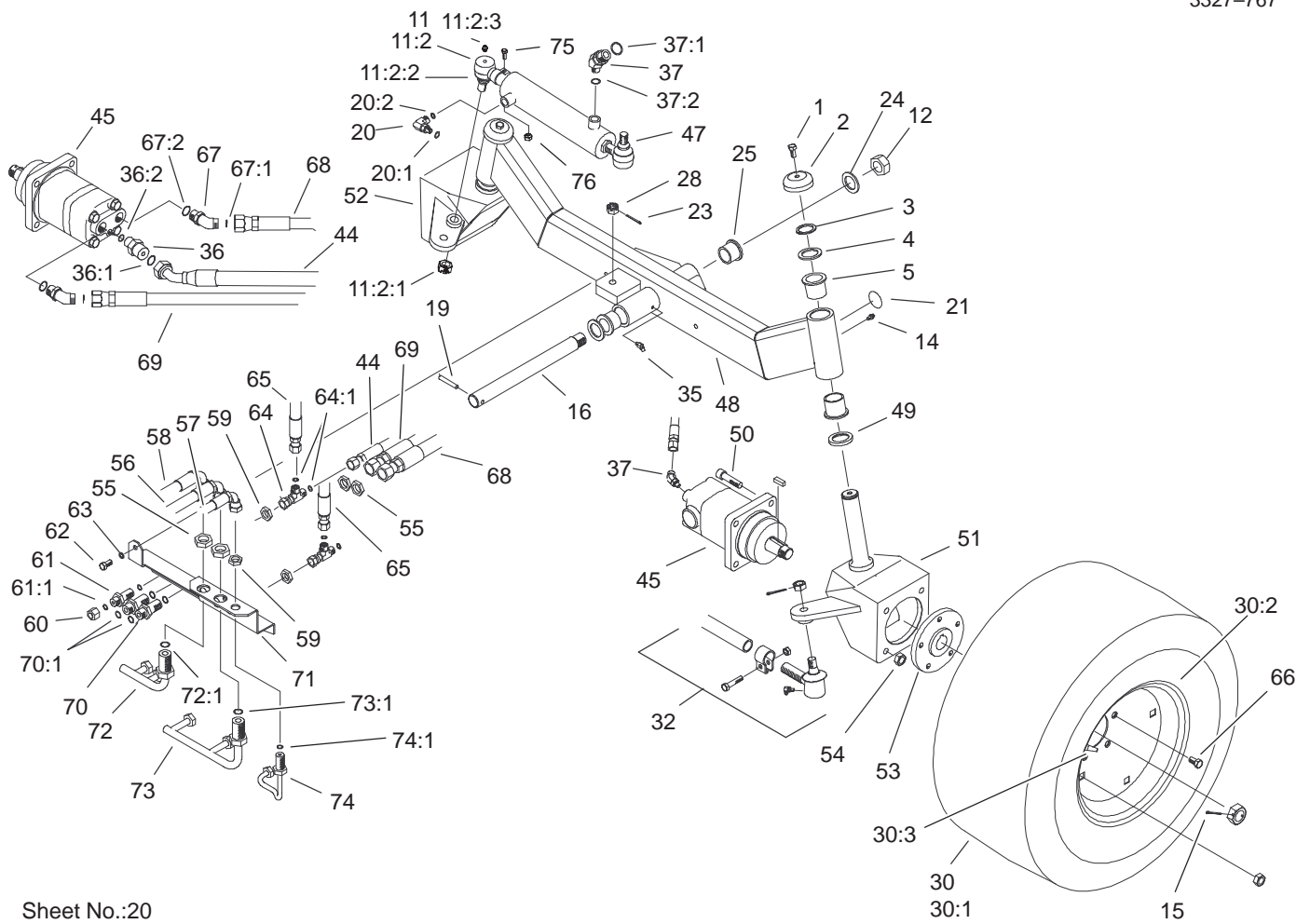
Sheet No.:20

Rear Axle Assembly (only on: 03707)

| Ref. No. | Part No. | Qty. | Description |
|----------|------------|------|------------------|
| 1 | 3234-12 | 2 | Screw-HHF |
| 2 | 69-8890 | 2 | Cap-Spindle |
| 3 | 32151-10 | 2 | Ring-Snap |
| 4 | 256-304 | 2 | Washer-Thrust |
| 5 | 69-6470 | 4 | Bushing-Castor |
| 11 | 69-9810-03 | 1 | Ball Joint ASM |
| ☆11:2 | | 1 | Ball Joint ASM |
| 11:2:1 | 105-7941 | 1 | Nut-Hex, Slotted |
| 11:2:2 | 71-4760 | 1 | Seal |
| 11:2:3 | 302-5 | 1 | Fitting-Grease |
| 12 | 3296-49 | 1 | Nut-Lock NI |
| 14 | 302-5 | 2 | Fitting-Grease |
| 15 | 3272-13 | 2 | Pin-Cotter |
| 16 | 82-9210 | 1 | Shaft-Pivot |
| 19 | 60-3670 | 1 | Pin |
| 20 | 340-97 | 1 | Fitting-HYD, 90° |
| 20:1 | 237-22 | 1 | O-Ring |
| 20:2 | 237-78 | 1 | O-Ring |
| 21 | 58-6520 | 2 | Decal-Grease |
| 23 | 3272-12 | 4 | Pin-Cotter |
| 24 | 48-6660 | 2 | Washer |
| 25 | 48-6640 | 2 | Bearing |
| 28 | 32136-13 | 2 | Nut-SHH |
| 30 | 69-9870 | 2 | Wheel ASM |
| 30:1 | 69-9880 | 1 | Tire |
| 30:2 | 217-116 | 1 | Rim-Wheel |

| Ref. No. | Part No. | Qty. | Description |
|----------|------------|------|-------------------|
| 30:3 | 232-27 | 1 | Stem-Valve |
| 32 | 82-9260-03 | 1 | Tie Rod ASM |
| 35 | 302-11 | 1 | Fitting-Lube, 45° |
| 36 | 340-88 | 1 | Adapter |
| 36:1 | 237-22 | 1 | O-Ring |
| 36:2 | 237-78 | 1 | O-Ring |
| 37 | 340-54 | 2 | Elbow-45° |
| 37:1 | 237-22 | 1 | O-Ring |
| 37:2 | 237-78 | 1 | O-Ring |
| 44 | 104-5202 | 2 | Hose ASM |
| 45 | 104-5233 | 2 | Motor-Wheel |
| 47 | 92-6057 | 1 | Cylinder-Steering |
| 48 | 92-4755-03 | 1 | Axle-Rear |
| 49 | 86-6560 | 2 | Washer-Thrust |
| 50 | 3274-5 | 8 | Screw-HSH |
| 51 | 92-4779-03 | 1 | Housing-Motor, LH |
| 52 | 92-4787-03 | 1 | Housing-Motor, RH |
| 53 | 92-4749-03 | 2 | Hub-Wheel |
| 54 | 3296-23 | 8 | Nut-Lock, NI |
| 55 | 340-74 | 6 | Locknut-Bulkhead |
| 56 | 92-5698 | 1 | Hose ASM |
| 57 | 92-5688 | 1 | Hose ASM |
| 58 | 92-5686 | 1 | Hose ASM |
| 59 | 340-70 | 3 | Locknut-Bulkhead |
| 60 | 340-117 | 1 | Cap |

☆ Not serviced separately

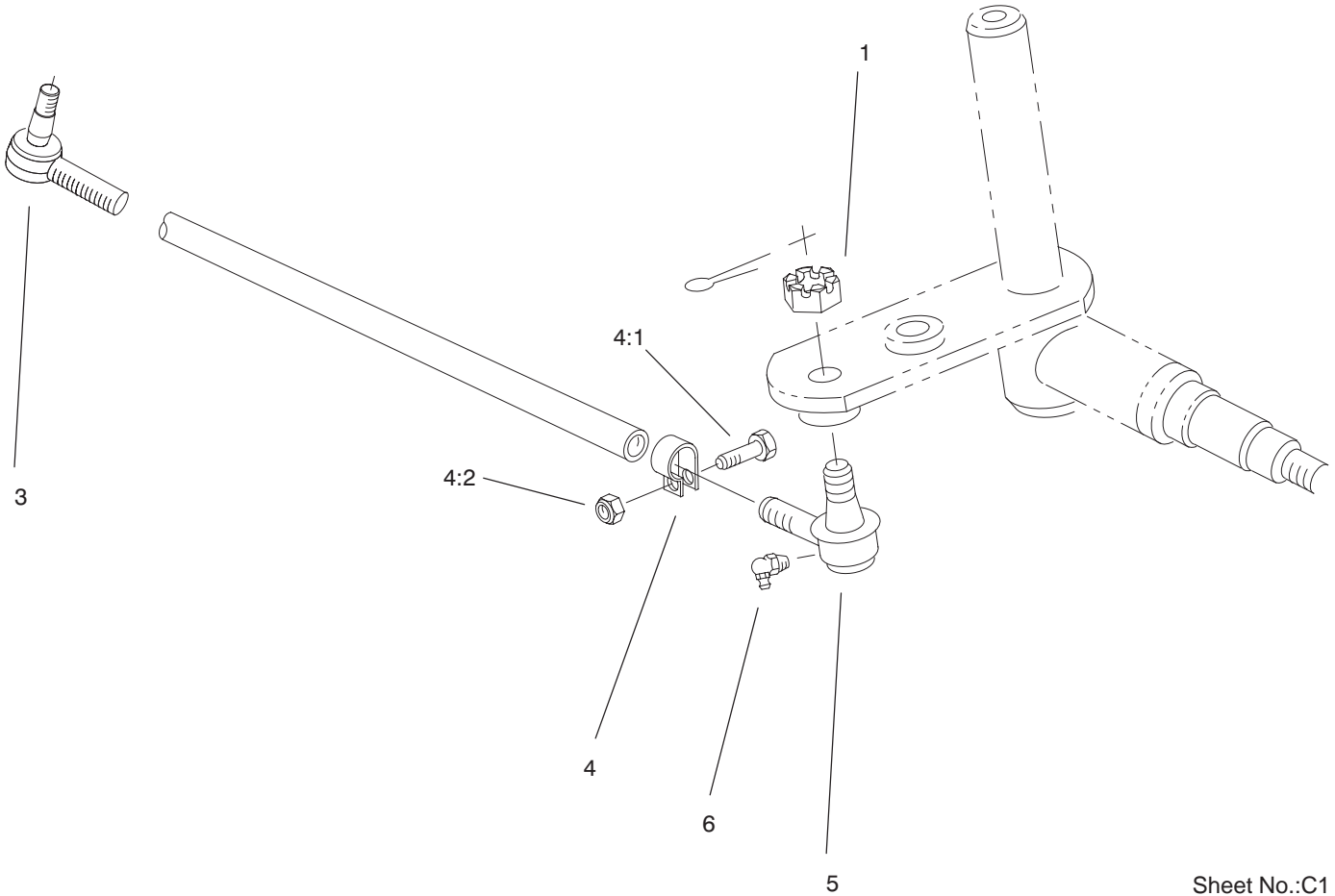


Sheet No.:20

Rear Axle Assembly (only on: 03707) (Continued)

| Ref. No. | Part No. | Qty. | Description |
|----------|------------|------|----------------------------------|
| 61 | 340-71 | 2 | Fitting-, Straight, Bulkhead |
| 61:1 | 237-22 | 2 | O-Ring |
| 62 | 323-4 | 2 | Screw-HH |
| 63 | 3253-21 | 2 | Washer-Lock |
| 64 | 340-115 | 2 | Fitting-Tee |
| 64:1 | 237-22 | 2 | O-Ring |
| 65 | 92-5665 | 1 | Hose ASM |
| 66 | 83-2720 | 10 | Lug-Bolt |
| 67 | 340-14 | 4 | Fitting-HYD, 45° |
| 67:1 | 237-65 | 1 | O-Ring |
| 67:2 | 237-80 | 1 | O-Ring |
| 68 | 94-8271 | 2 | Traction Hose ASM |
| 69 | 94-8272 | 2 | Traction Hose ASM |
| 70 | 340-76 | 4 | Fitting-Bulkhead Union, Straight |
| 70:1 | 237-65 | 2 | O-Ring |
| 71 | 94-8277-03 | 1 | Bracket-Bulkhead |
| 72 | 94-8275 | 1 | Inner Tube ASM |
| 72:1 | 237-65 | 1 | O-Ring |
| 73 | 94-8276 | 1 | Outer Tube ASM |
| 73:1 | 237-65 | 1 | O-Ring |
| 74 | 94-8278 | 1 | Case Drain Tube ASM |
| 74:1 | 237-22 | 1 | O-Ring |
| 75 | 3210-7 | 1 | Screw-HH |
| 76 | 32152-5 | 1 | Nut-Conelock |

| Ref. No. | Part No. | Qty. | Description |
|----------|----------|------|-------------|
| | | | |



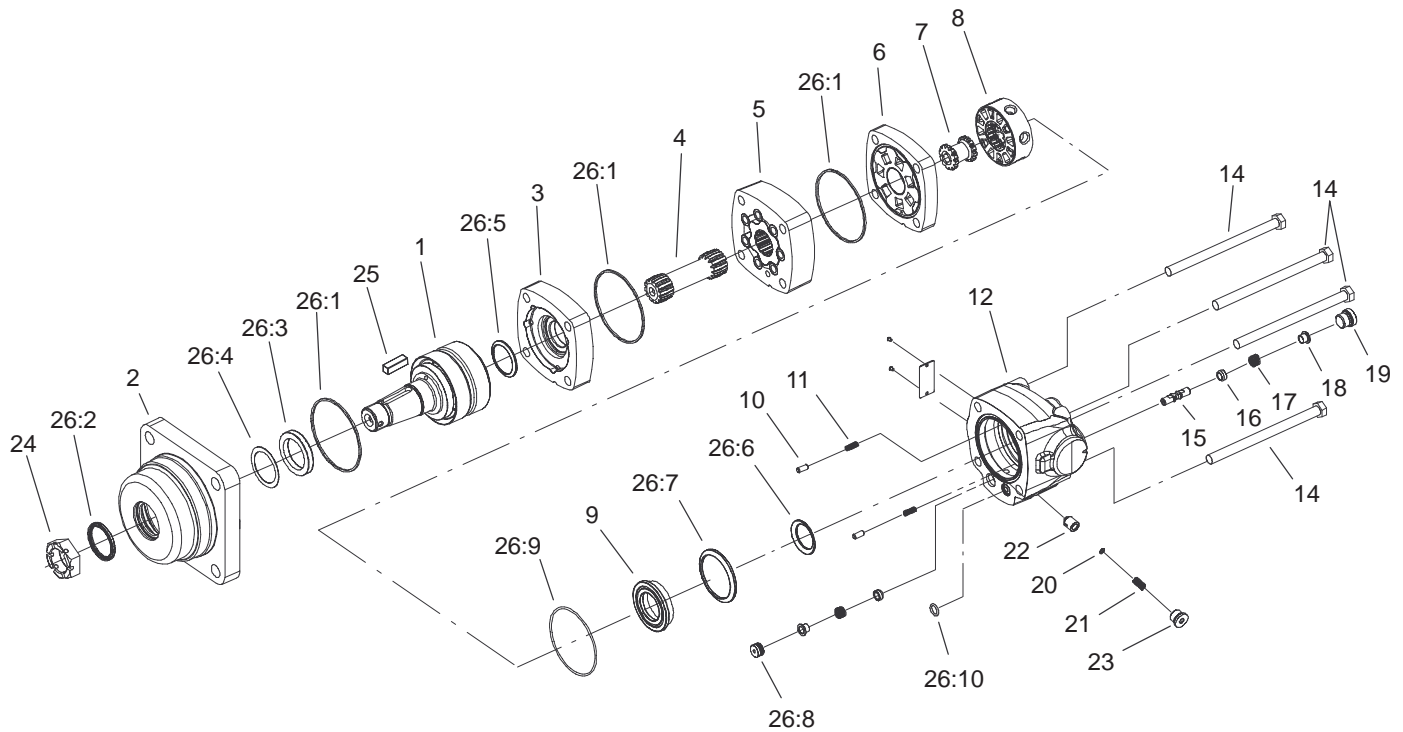
Sheet No.:C1
T-3672

Tie Rod Assembly No. 82-9260-03 (only on: 03707)

| Ref. No. | Part No. | Qty. | Description |
|----------|----------|------|----------------|
| 1 | 32136-2 | 2 | Nut-SHH |
| 3 | 2116-4 | 1 | End-Rod, Tie |
| 4 | 2412-7 | 2 | Clamp ASM |
| ☆4:1 | | 1 | Screw-HH |
| ☆4:2 | | 1 | Nut-Lock |
| 5 | 2116-3 | 1 | End-Rod, Tie |
| 6 | 302-33 | 2 | Fitting-Grease |

| Ref. No. | Part No. | Qty. | Description |
|----------|----------|------|-------------|
| | | | |
| | | | |
| | | | |
| | | | |
| | | | |
| | | | |
| | | | |
| | | | |
| | | | |
| | | | |

☆ Not serviced separately



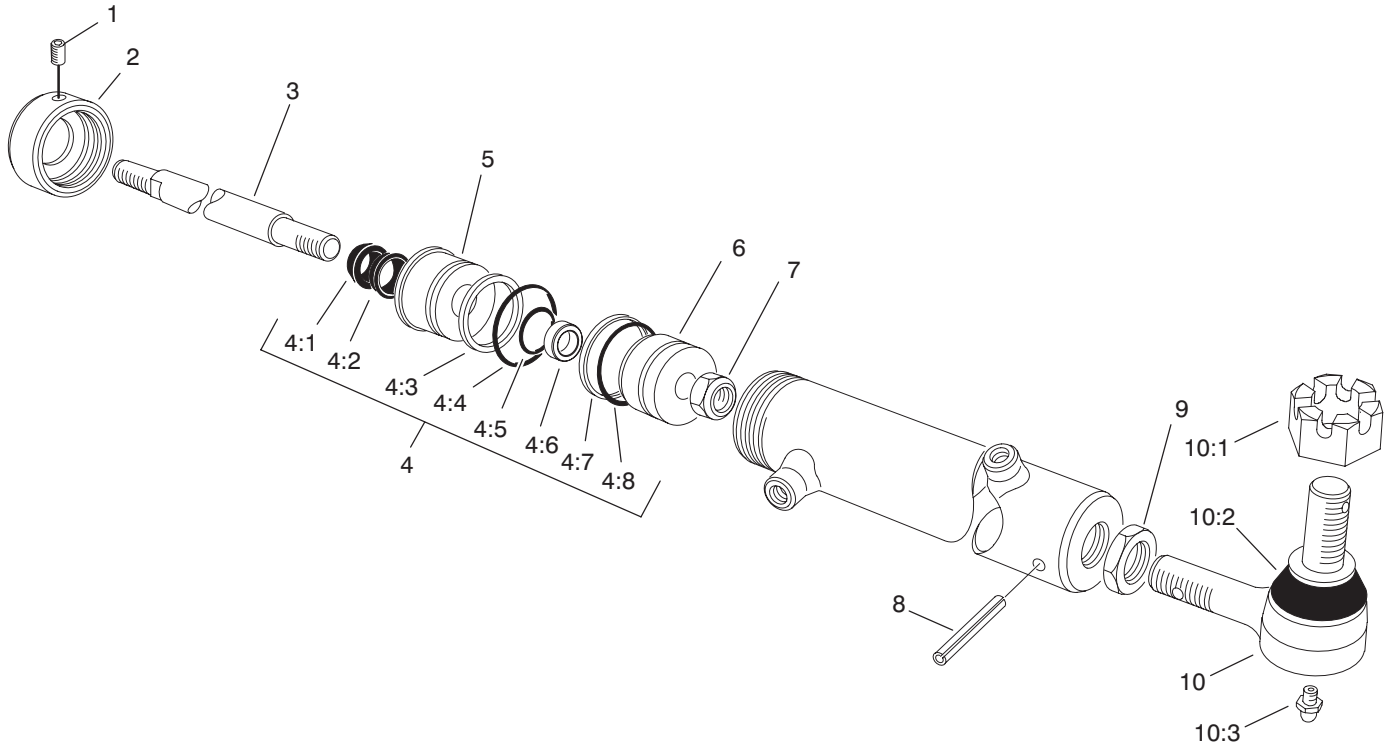
Sheet No.:C2

Hydraulic Motor Assembly No. 104-5233 (only on: 03707)

| Ref. No. | Part No. | Qty. | Description |
|----------|----------|------|-----------------|
| 1 | 56-6860 | 1 | Shaft ASM |
| 2 | 56-6850 | 1 | Housing-Bearing |
| ☆3 | | 1 | Plate-Wear |
| 4 | 105-8145 | 1 | Drive |
| 5 | 105-8146 | 1 | Geroter ASM |
| ☆6 | | 1 | Plate-Valve |
| 7 | 36-6260 | 1 | Drive-Valve |
| 8 | 56-6830 | 1 | Valve |
| 9 | 105-8147 | 1 | Plate-Balancing |
| 10 | 105-8148 | 1 | Pin |
| 11 | 33-3410 | 1 | Spring |
| ☆12 | | 1 | Housing-Valve |
| 14 | 57-6030 | 4 | Capscrew |
| 15 | 105-9300 | 1 | Piston |
| 16 | 105-9301 | 2 | Poppet |
| 17 | 105-9302 | 2 | Spring |
| 18 | 105-9303 | 2 | Dashpot |
| 19 | 105-9304 | 1 | Plug Sub ASM |
| 20 | 105-9305 | 1 | Shim |
| 21 | 105-9306 | 1 | Spring |
| 22 | 105-9307 | 1 | Poppet |
| 23 | 105-9308 | 1 | Plug Sub ASM |
| 24 | 11-5800 | 1 | Nut-Slotted |
| 25 | 11-5790 | 1 | Key |
| 26 | 105-9309 | 1 | Seal Kit |
| ☆26:1 | | 3 | O-Ring |

| Ref. No. | Part No. | Qty. | Description |
|----------|----------|------|-----------------------|
| ☆26:2 | | 1 | Seal-Shaft, Exclusion |
| ☆26:3 | | 1 | Seal-Shaft |
| ☆26:4 | | 1 | Ring-Backup |
| ☆26:5 | | 1 | Seal-Face, Shaft |
| ☆26:6 | | 1 | Seal-Face, Inner |
| ☆26:7 | | 1 | Seal-Face, Outer |
| ☆26:8 | | 1 | Plug |
| ☆26:9 | | 1 | O-Ring |
| ☆26:10 | | 1 | O-Ring |

☆ Not serviced separately



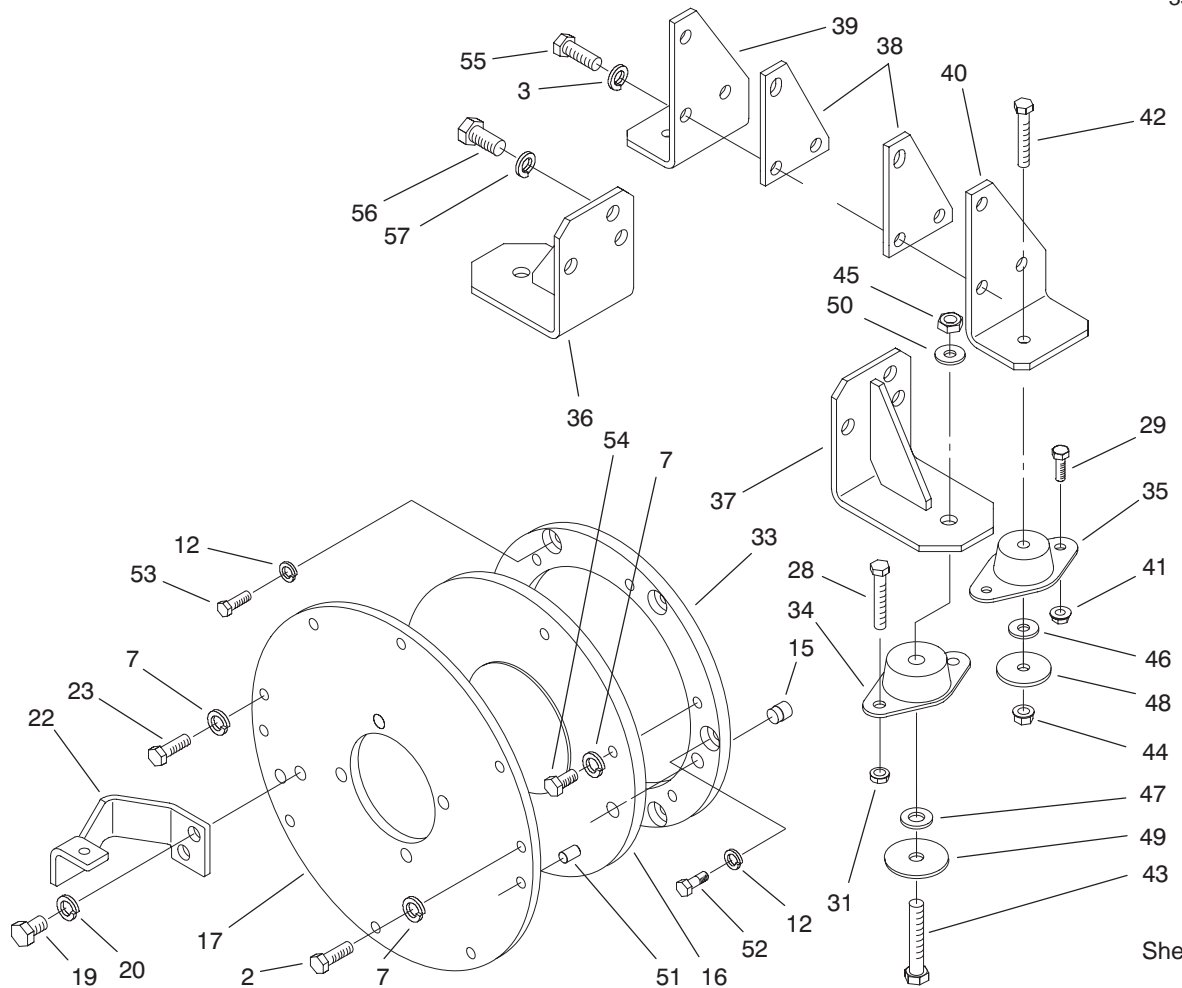
Sheet No.:C3
T-3674

Hydraulic Cylinder Assembly No. 92-6057 (only on: 03707)

| Ref. No. | Part No. | Qty. | Description |
|----------|----------|------|------------------|
| ☆1 | | 1 | Screw-Set |
| ☆2 | | 1 | Cap |
| ☆3 | | 1 | Rod |
| 4 | 82-5800 | 1 | Seal Kit |
| ☆4:1 | | 1 | Wiper-Rod |
| ☆4:2 | | 1 | U-Cup |
| ☆4:3 | | 1 | Washer-Backup |
| ☆4:4 | | 1 | O-Ring |
| ☆4:5 | | 1 | O-Ring |
| ☆4:6 | | 1 | Spacer |
| ☆4:7 | | 1 | Servon |
| ☆4:8 | | 1 | O-Ring |
| ☆5 | | 1 | Head |
| ☆6 | | 1 | Piston |
| ☆7 | | 1 | Nut |
| 8 | 32121-44 | 1 | Pin-Roll |
| 9 | 82-5740 | 1 | Nut-Jam |
| 10 | 82-5730 | 1 | End-Rod, Tie |
| 10:1 | 105-7941 | 1 | Nut-Hex, Slotted |
| 10:2 | 105-7835 | 1 | Seal |
| 10:3 | 302-5 | 1 | Fitting-Grease |

| Ref. No. | Part No. | Qty. | Description |
|----------|----------|------|-------------|
| | | | |
| | | | |
| | | | |

☆ Not serviced separately



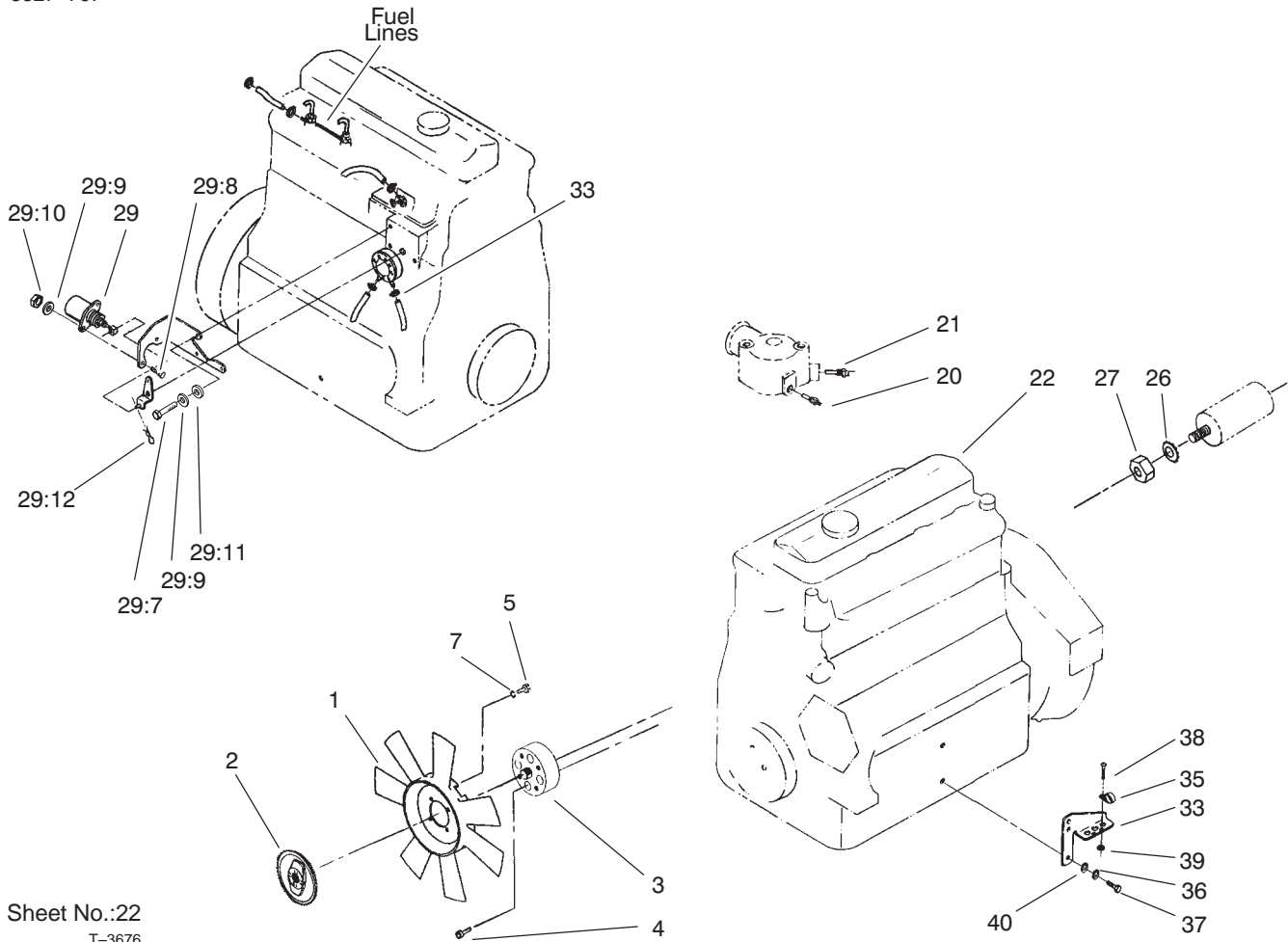
Sheet No.:21

T-3675

Engine Installation Assembly

| Ref. No. | Part No. | Qty. | Description |
|----------|------------|------|----------------------------|
| 2 | 43-0090 | 7 | Screw-HH |
| 3 | 48-8070 | 6 | Washer-Lock |
| 7 | 48-9590 | 14 | Washer-Lock |
| 12 | 42-9850 | 6 | Washer-Lock, Spring |
| 15 | 58-3590 | 2 | Dowel |
| 16 | 92-1753 | 1 | Coupling-Spring |
| 17 | 98-1211-03 | 1 | Plate-Adapter, Pump |
| 19 | 3213-20 | 2 | Screw-HH |
| 20 | 3253-7 | 2 | Washer-Lock |
| 22 | 98-7066-03 | 1 | Bracket-Damper |
| 23 | 56-2140 | 1 | Bolt |
| 28 | 323-11 | 4 | Screw-HH |
| 29 | 322-5 | 4 | Screw-HH |
| 31 | 32128-21 | 4 | Nut-HF |
| 33 | 98-1210-03 | 1 | Spacer-Coupler |
| 34 | 98-3024 | 2 | Mount-Engine |
| 35 | 83-1030 | 2 | Mount-Engine |
| 36 | 98-1207-03 | 1 | Bracket-Front, RH |
| 37 | 98-1206-03 | 1 | Bracket-Front, LH |
| 38 | 98-1200-03 | 2 | Spacer |
| 39 | 98-1204-03 | 1 | Bracket-Engine, RH Rear |
| 40 | 98-1205-03 | 1 | Bracket-Engine, LH Rear |
| 41 | 32128-20 | 4 | Nut-HF |
| 42 | 323-11 | 2 | Screw-HH |

| Ref. No. | Part No. | Qty. | Description |
|----------|-----------|------|---------------------|
| 43 | 33116-070 | 2 | Screw-HH |
| 44 | 32128-43 | 2 | Nut-Flange |
| 45 | 48-9530 | 2 | Nut |
| 46 | 80-6990 | 2 | Washer-Hardened |
| 47 | 3256-26 | 2 | Washer-Flat |
| 48 | 63-7400 | 2 | Washer-Rebound |
| 49 | 87-5100 | 2 | Washer-Snubbing |
| 50 | 43-5940 | 2 | Lockwasher-Spring |
| 51 | 98-1212 | 2 | Pin-Plate, Pump |
| 52 | 98-1213 | 2 | Bolt-Shoulder |
| 53 | 33114-020 | 4 | Screw-HH |
| 54 | 70-8470 | 6 | Screw-HH |
| 55 | 43-3180 | 6 | Screw-HH |
| 56 | 43-3210 | 6 | Screw-HH |
| 57 | 43-5950 | 6 | Washer-Lock, Spring |

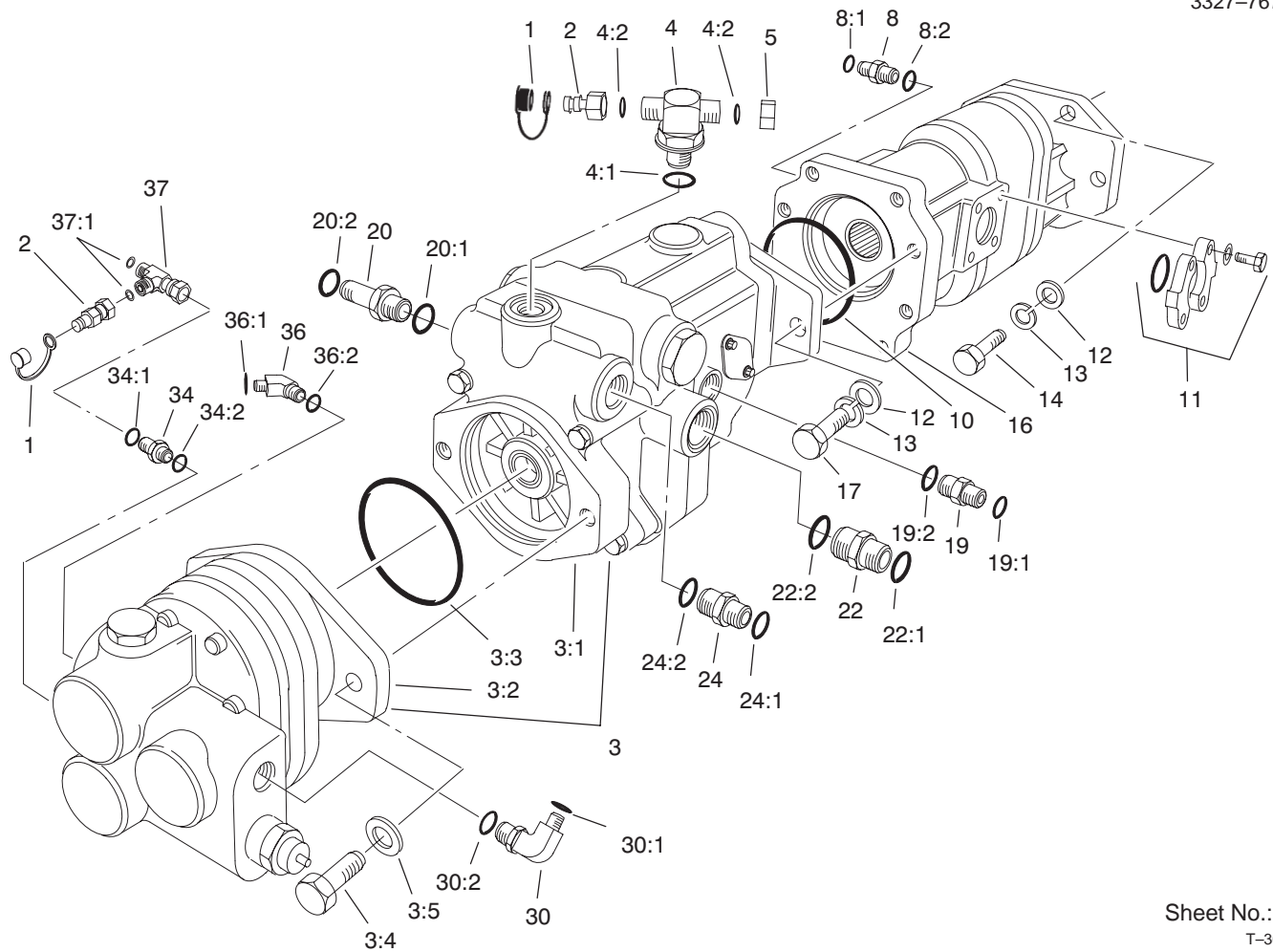


Sheet No.:22
T-3676

Engine Attachment Assembly

| Ref. No. | Part No. | Qty. | Description |
|----------|------------|------|-------------------|
| 1 | 104-5269 | 1 | Fan |
| 2 | 93-1430 | 1 | Drive-Fan |
| 3 | 98-1242 | 1 | Adapter-Fan |
| 4 | 52-6290 | 4 | Screw-HH |
| 5 | 322-2 | 8 | Screw-HH |
| 7 | 3253-4 | 8 | Washer-Lock |
| 20 | 98-3824 | 1 | Switch-Temp |
| 21 | 98-3825 | 1 | Switch-Temp |
| 22 | 104-5259 | 1 | Engine-Kubota |
| 26 | 3255-8 | 1 | Washer-Lock/Ext |
| 27 | 33014-00 | 1 | Nut-Hex |
| 29 | 98-3817 | 1 | Solenoid Kit |
| 29:7 | 33113-025 | 3 | Screw-HH |
| 29:8 | 33113-016 | 2 | Screw-HH |
| 29:9 | 48-8020 | 5 | Washer-Spring |
| 29:10 | 33013-00 | 2 | Nut-Hex |
| 29:11 | 33093-00 | 3 | Washer-Flat |
| 29:12 | 3272-2 | 1 | Pin-Cotter |
| 33 | 98-1293-03 | 1 | Bracket-Line |
| 35 | 2412-83 | 2 | Clamp-Cable |
| 36 | 43-5940 | 2 | Lockwasher-Spring |
| 37 | 42-9250 | 2 | Bolt |
| 38 | 32105-13 | 2 | Screw-SHH |
| 39 | 3296-2 | 2 | Nut-Lock |
| 40 | 3256-26 | 2 | Washer-Flat |

| Ref. No. | Part No. | Qty. | Description |
|----------|----------|------|-------------|
| | | | |
| | | | |
| | | | |
| | | | |
| | | | |



Sheet No.:23

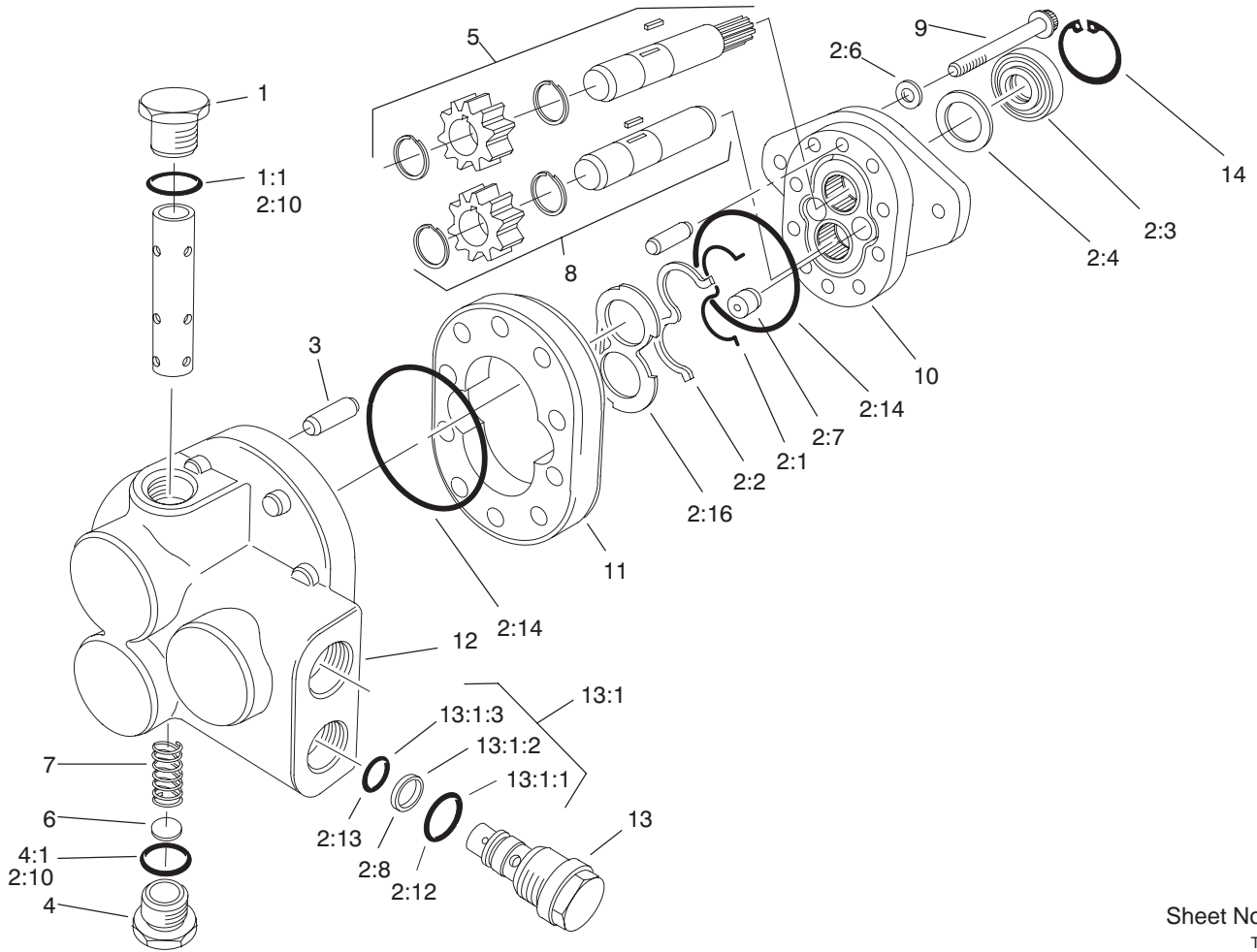
T-3677

Hydraulic Pump Assembly

| Ref. No. | Part No. | Qty. | Description |
|----------|------------|------|--------------------------|
| 1 | 353-947 | 2 | Cap-Dust, Rubber |
| 2 | 86-5480 | 2 | Nipple-Test |
| ☆3 | | 1 | Tandem Pump ASM |
| 3:1 | 99-6495 | 1 | Gear Pump ASM |
| 3:2 | 99-6494 | 1 | Variable Piston Pump ASM |
| 3:3 | 60-3520 | 1 | O-Ring |
| 3:4 | 60-3530 | 2 | Bolt |
| 3:5 | 60-3540 | 2 | Washer |
| 4 | 92-4799 | 1 | Fitting-Tee, HYD |
| 4:1 | 237-79 | 1 | O-Ring |
| 4:2 | 237-22 | 2 | O-Ring |
| 5 | 340-117 | 1 | Cap (only on: 03706) |
| 8 | 340-8 | 1 | Adapter |
| 8:1 | 237-65 | 1 | O-Ring |
| 8:2 | 237-81 | 1 | O-Ring |
| 10 | 59-8550 | 1 | O Ring |
| 11 | 340-62 | 1 | Flange Kit |
| 12 | 3256-26 | 6 | Washer-Flat |
| 13 | 3253-7 | 6 | Washer-Lock |
| 14 | 3213-2 | 4 | Screw-HH |
| 16 | 86-6000-01 | 1 | Pump-Gts20 |
| 17 | 325-5 | 2 | Screw-HH |
| 19 | 340-2 | 1 | Fitting-HYD, Straight |
| 19:1 | 237-22 | 1 | O-Ring |
| 19:2 | 237-42 | 1 | O-Ring |

| Ref. No. | Part No. | Qty. | Description |
|----------|----------|------|------------------|
| 20 | 92-6058 | 1 | Fitting-HYD |
| 20:1 | 237-81 | 1 | O-Ring |
| 20:2 | 237-58 | 1 | O-Ring |
| 22 | 340-9 | 1 | Fitting-Straight |
| 22:1 | 237-58 | 1 | O-Ring |
| 22:2 | 237-81 | 1 | O-Ring |
| 24 | 340-4 | 1 | Adapter |
| 24:1 | 237-30 | 1 | O-Ring |
| 24:2 | 237-79 | 1 | O-Ring |
| 30 | 340-15 | 1 | Adapter |
| 30:1 | 237-58 | 1 | O-Ring |
| 30:2 | 237-146 | 1 | O-Ring |
| 34 | 340-3 | 1 | Adapter |
| 34:1 | 237-22 | 1 | O-Ring |
| 34:2 | 237-79 | 1 | O-Ring |
| 36 | 340-89 | 1 | Fitting-HYD, 45° |
| 36:1 | 237-30 | 1 | O-Ring |
| 36:2 | 237-80 | 1 | O-Ring |
| 37 | 340-115 | 1 | Fitting-Tee |
| 37:1 | 237-22 | 2 | O-Ring |

☆ Not serviced separately

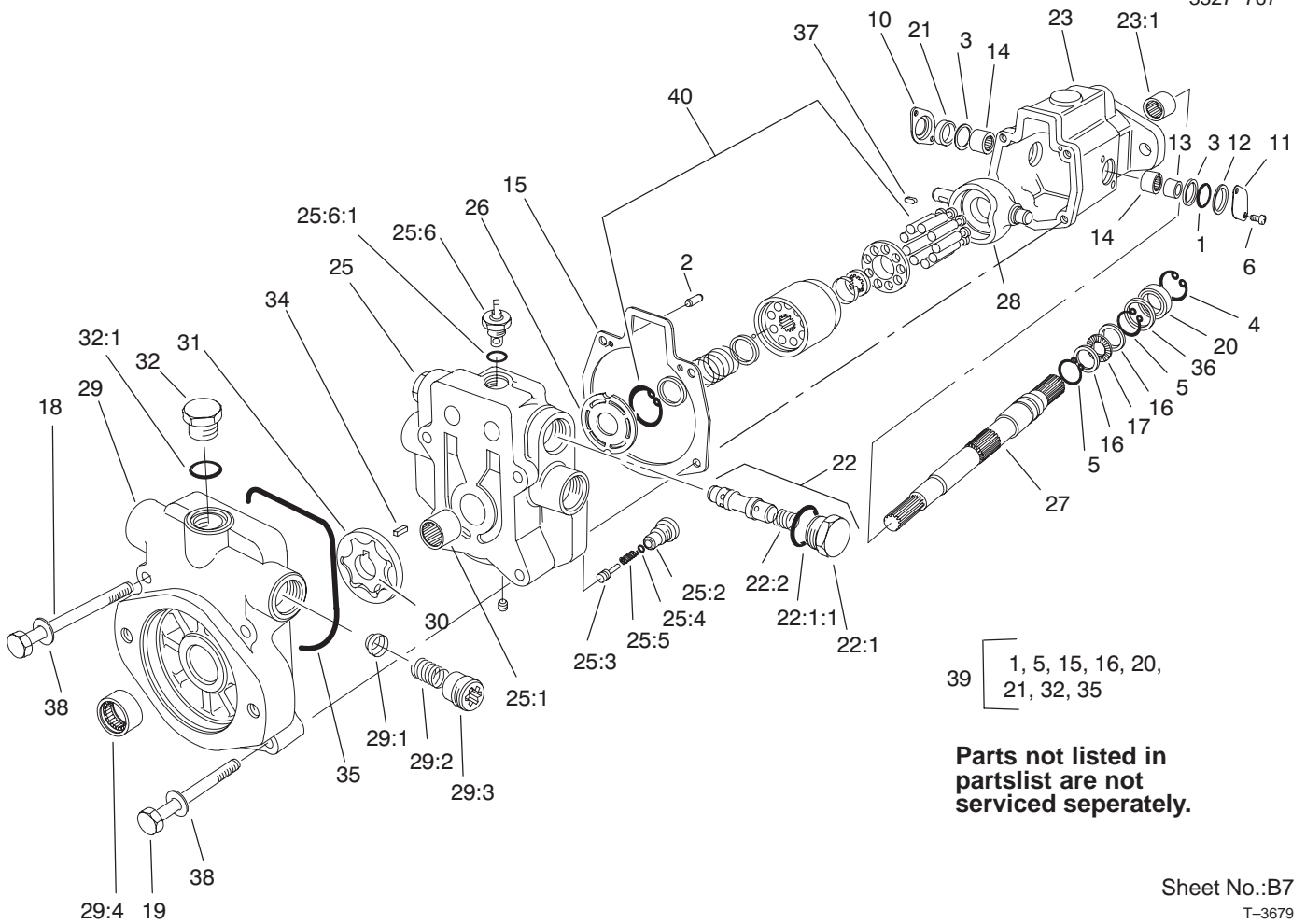


Sheet No.:B6
T-3678

Gear Pump Assembly No. 99-6495

| Ref. No. | Part No. | Qty. | Description |
|----------|----------|------|----------------|
| 1 | 60-5860 | 1 | Plug |
| 1:1 | 60-5720 | 1 | O-Ring |
| 2 | 99-8594 | 1 | Seal Kit |
| 2:1 | 95-4367 | 1 | Gasket |
| 2:2 | 95-4369 | 1 | Seal |
| 2:3 | 49-2640 | 1 | Seal-Shaft |
| 2:4 | 60-5890 | 1 | Washer |
| 2:6 | 94-8160 | 4 | Washer |
| 2:7 | 94-3011 | 1 | Plug |
| 2:8 | 92-9256 | 1 | Washer-Backup |
| 2:10 | 60-5720 | 2 | O-Ring |
| 2:12 | 92-9255 | 1 | O-Ring |
| 2:13 | 92-9254 | 1 | O-Ring |
| 2:14 | 56-6710 | 2 | O-Ring |
| 2:16 | 95-4368 | 1 | Plate-Wear |
| 3 | 60-5760 | 1 | Pin |
| 4 | 60-5710 | 1 | Plug |
| 4:1 | 60-5720 | 1 | O-Ring |
| 5 | 99-8591 | 1 | Drive Gear ASM |
| 6 | 60-5730 | 1 | Disc |
| 7 | 60-5820 | 1 | Spring |
| 8 | 99-8592 | 1 | Idler Gear ASM |
| 9 | 42-3140 | 8 | Capscrew |
| 10 | 95-4362 | 1 | Plate-Front |
| 11 | 99-8589 | 1 | Body ASM |

| Ref. No. | Part No. | Qty. | Description |
|----------|----------|------|--------------------------|
| 12 | 99-8590 | 1 | Plate-Back, Flow Divider |
| 13 | 92-9253 | 1 | Valve-Relief |
| 13:1 | 92-9257 | 1 | Seal Kit |
| 13:1:1 | 92-9255 | 1 | O-Ring |
| 13:1:2 | 92-9256 | 1 | Washer-Backup |
| 13:1:3 | 92-9254 | 1 | O-Ring |
| 14 | 99-8593 | 1 | Ring-Retaining |

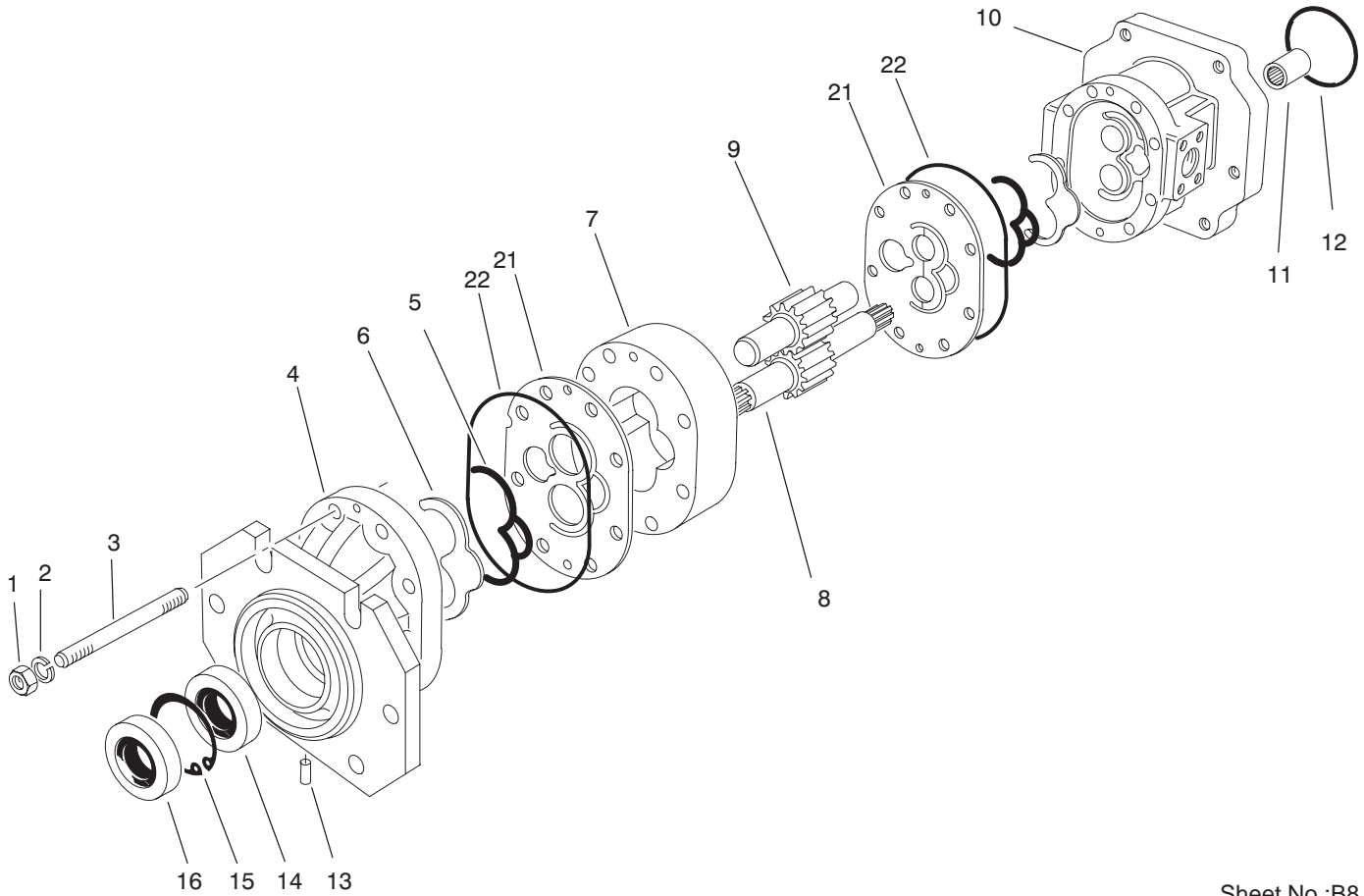


Sheet No.:B7
T-3679

Variable Piston Pump Assembly No. 99-6494

| Ref. No. | Part No. | Qty. | Description |
|----------|----------|------|------------------|
| 1 | 60-6190 | 1 | O-Ring |
| 2 | 95-6050 | 2 | Pin-Dowel |
| 3 | 60-6250 | 2 | Washer |
| 4 | 60-6260 | 1 | Ring |
| 5 | 60-6270 | 2 | Ring |
| 6 | 60-6330 | 4 | Screw |
| 10 | 60-6120 | 1 | Cover-Seal |
| 11 | 60-6010 | 1 | Cover-Trunnion |
| 12 | 99-8702 | 1 | O-Ring |
| 13 | 60-5990 | 1 | Race |
| 14 | 60-6110 | 2 | Bearing |
| 15 | 60-6130 | 1 | Gasket |
| 16 | 60-6160 | 2 | Race |
| 17 | 60-6170 | 1 | Bearing-Thrust |
| 18 | 60-6230 | 2 | Screw-HH |
| 19 | 60-6220 | 2 | Screw-HH |
| 20 | 60-6300 | 1 | Seal |
| 21 | 42-2720 | 1 | Seal-External |
| 22 | 68-6460 | 2 | Relief Valve Kit |
| 22:1 | 70-1240 | 1 | Plug ASM |
| 22:1:1 | 60-5980 | 1 | O-Ring |
| 22:2 | 99-8700 | 1 | Spring |
| 23 | 99-8703 | 1 | Housing ASM |
| 23:1 | 63-4390 | 1 | Bearing-Needle |
| 25 | 99-8705 | 1 | Backplate ASM |
| 25:1 | 60-6050 | 1 | Bearing |

| Ref. No. | Part No. | Qty. | Description |
|----------|----------|------|-----------------|
| 25:2 | 60-6060 | 1 | Cartridge |
| 25:3 | 60-6070 | 1 | Poppet |
| 25:4 | 60-6080 | 1 | Ring |
| 25:5 | 60-6090 | 1 | Spring |
| 25:6 | 39-2080 | 1 | Tow Valve ASM |
| 25:6:1 | 60-6290 | 1 | O-Ring |
| 26 | 99-8704 | 1 | Plate-Valve |
| 27 | 60-6140 | 1 | Shaft |
| 28 | 60-6020 | 1 | Camplate |
| 29 | 60-6200 | 1 | Adapter |
| 29:1 | 33-4990 | 1 | Poppet |
| 29:2 | 39-2140 | 1 | Spring |
| 29:3 | 39-2130 | 1 | Retainer-Spring |
| 29:4 | 60-6150 | 1 | Bearing |
| 30 | 99-8706 | 1 | Gerotor-Inner |
| 31 | 99-8707 | 1 | Gerotor-Outer |
| 32 | 60-6280 | 1 | Plug |
| 32:1 | 60-6290 | 1 | O-Ring |
| 34 | 60-6320 | 1 | Key |
| 35 | 99-8708 | 1 | O-Ring |
| 36 | 60-6240 | 1 | Washer |
| 37 | 60-6310 | 1 | Key |
| 38 | 3256-73 | 4 | Washer-Flat |
| 39 | 95-6056 | 1 | Seal Kit |
| 40 | 99-8701 | 1 | Rotating Kit |

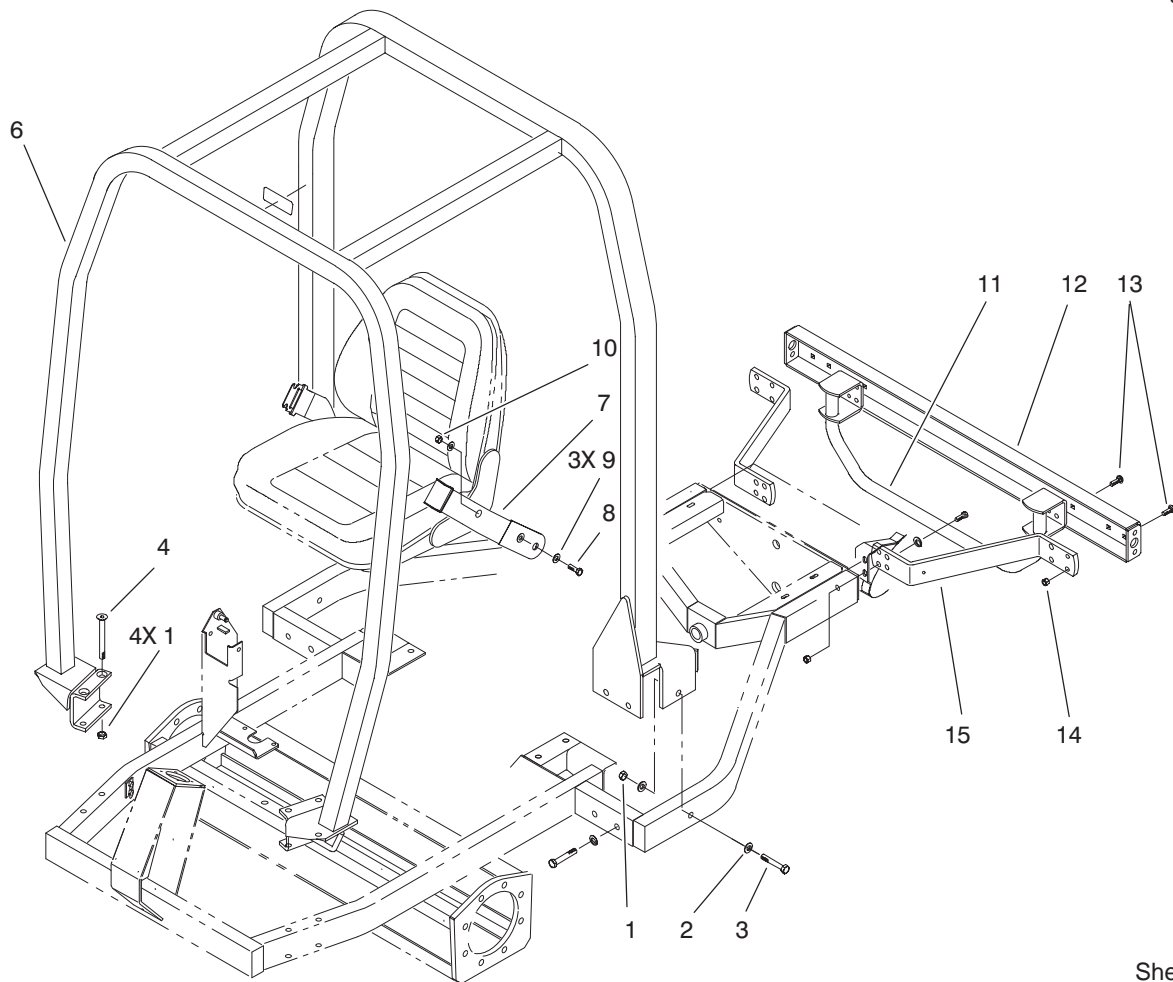


Sheet No.:B8
T-3680

Pump Assembly No. 86-6000-01

| Ref. No. | Part No. | Qty. | Description |
|----------|----------|------|--------------------|
| 1 | 59-7580 | 8 | Nut |
| 2 | 59-7590 | 8 | Lockwasher |
| 3 | 59-7970 | 8 | Stud |
| 4 | 86-6010 | 1 | Cover-Front |
| 5 | 59-7990 | 2 | Seal |
| 6 | 59-8470 | 2 | Retainer |
| 7 | 86-6020 | 1 | Section-Center |
| 8 | 59-8500 | 1 | Gear |
| 9 | 59-8600 | 1 | Gear |
| 10 | 86-6030 | 1 | Section-Port, Rear |
| 11 | 59-8540 | 1 | Coupling |
| 12 | 86-6040 | 1 | O-Ring |
| 13 | 86-6050 | 1 | Plug |
| 14 | 59-8570 | 1 | Seal |
| 15 | 59-8580 | 1 | Ring-Retaining |
| 16 | 59-8590 | 1 | Seal |
| 21 | 86-6070 | 2 | Plate-Rear |
| 22 | 86-6080 | 2 | O-Ring |

| Ref. No. | Part No. | Qty. | Description |
|----------|----------|------|-------------|
| | | | |
| | | | |
| | | | |
| | | | |
| | | | |

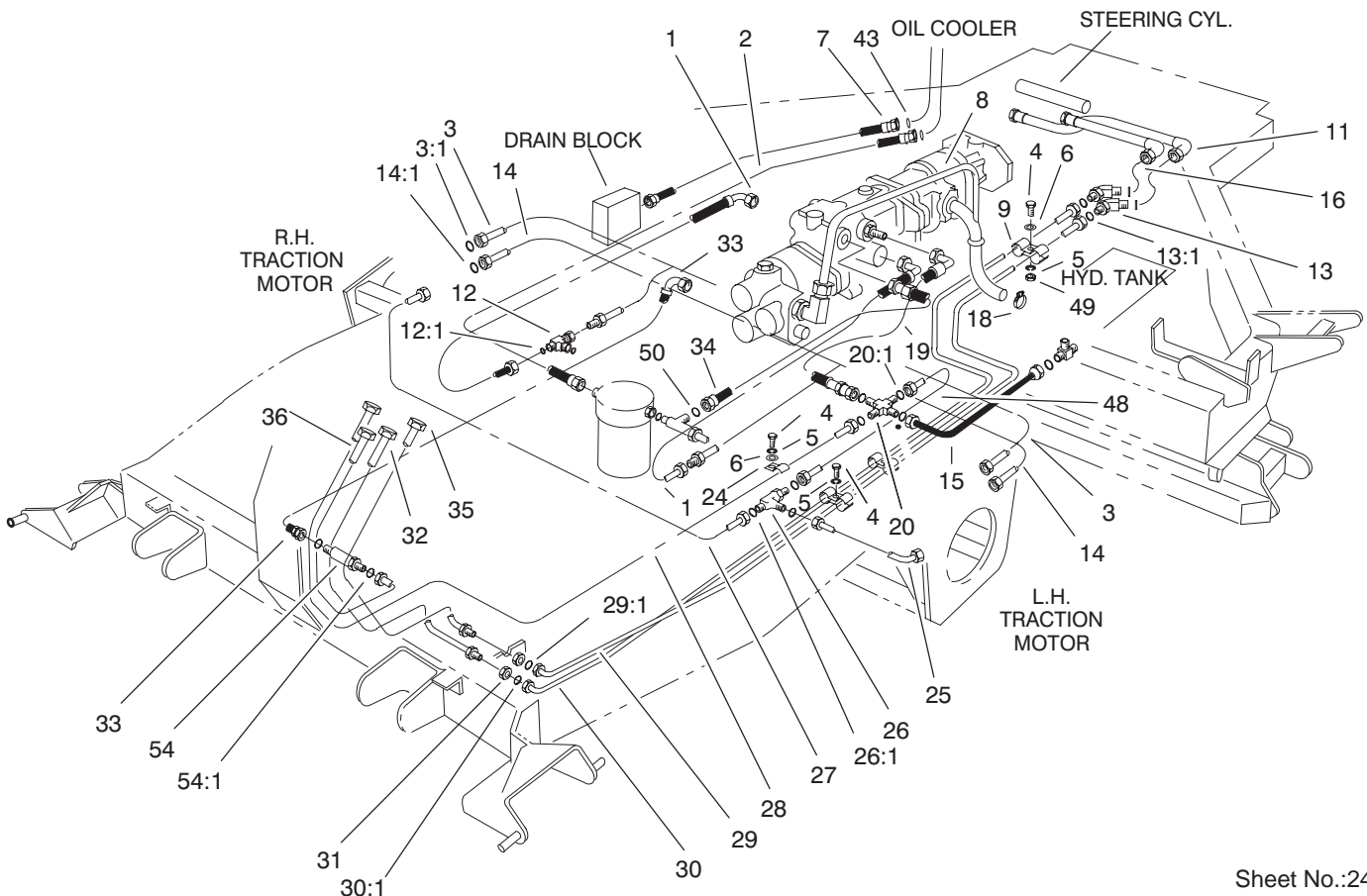
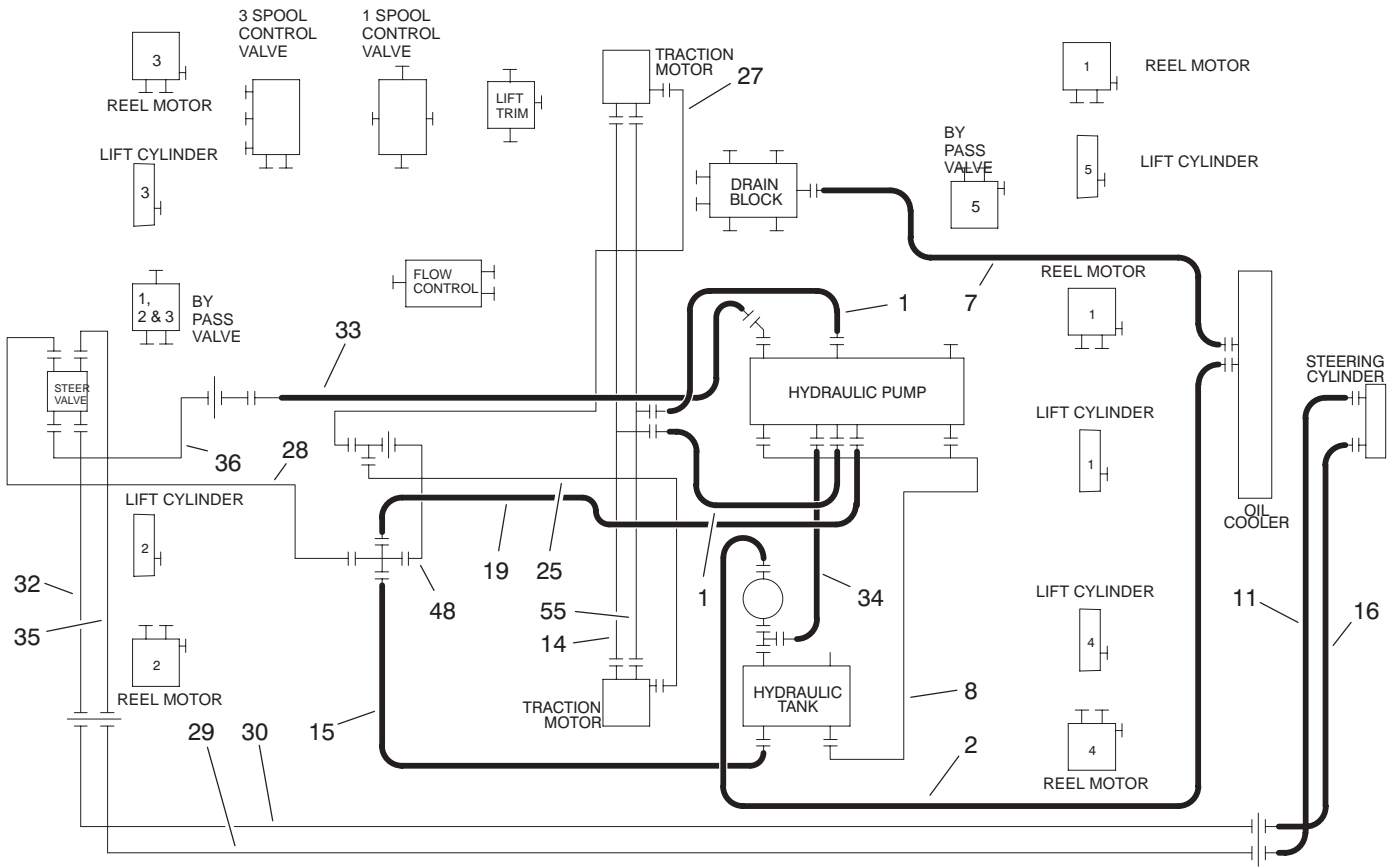


Sheet No.:29

Roll Over Protection System Assembly (only on: 03707)

| Ref. No. | Part No. | Qty. | Description | Ref. No. | Part No. | Qty. | Description |
|----------|------------|------|----------------|----------|----------|------|-------------|
| 1 | 3296-23 | 10 | Nut-Lock, NI | | | | |
| 2 | 3256-26 | 12 | Washer-Flat | | | | |
| 3 | 325-12 | 6 | Screw-HH | | | | |
| 4 | 3289-25 | 4 | Screw-SFH | | | | |
| 6 | 92-2987-03 | 1 | Rops | | | | |
| 7 | 21-4191 | 1 | Seat Belt ASM | | | | |
| 8 | 324-5 | 2 | Screw-HH | | | | |
| 9 | 3256-25 | 6 | Washer-Flat | | | | |
| 10 | 3296-48 | 2 | Nut-Lock NI | | | | |
| 11 | 92-6050-03 | 1 | Guard ASM | | | | |
| 12 | 92-6052-03 | 1 | Bumper-Rear | | | | |
| 13 | 3231-25 | 12 | Screw-CARR | | | | |
| 14 | 3296-39 | 12 | Nut-Lock, NI | | | | |
| 15 | 92-6051-03 | 2 | Bracket-Bumper | | | | |

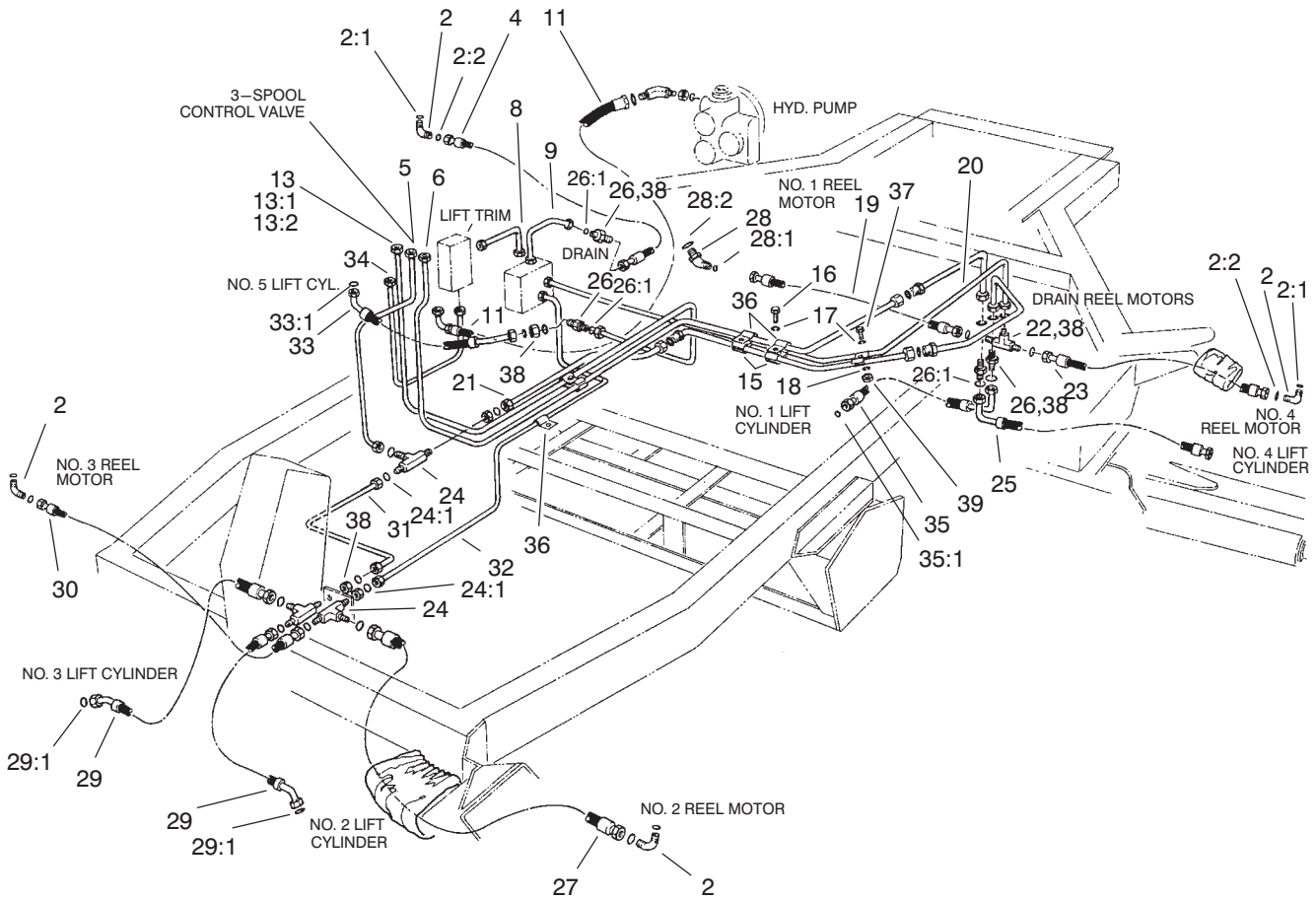
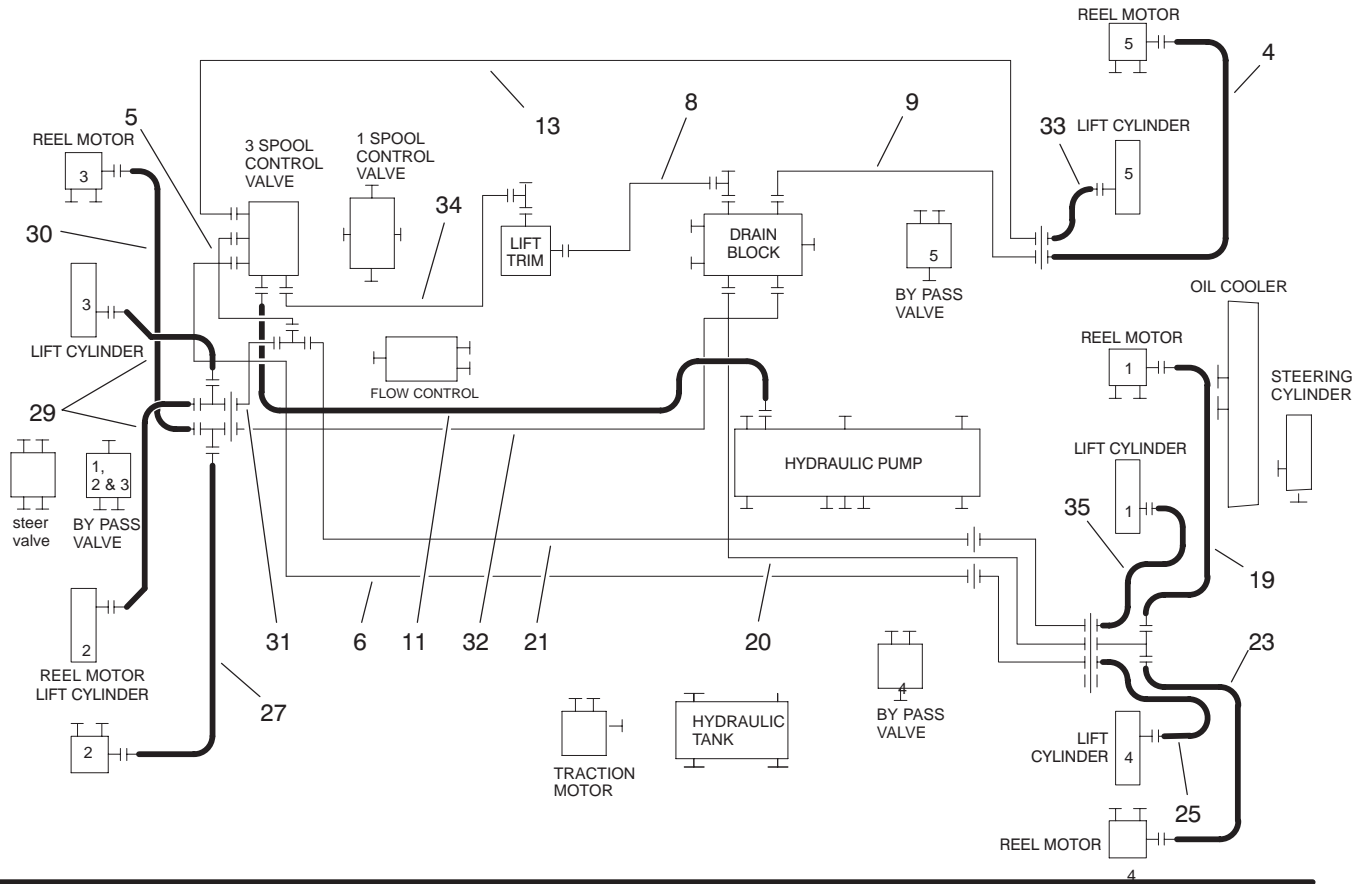
Hydraulic Circuit – Traction and Steering Circuit



Hydraulic Circuit – Traction and Steering Circuit

| Ref. No. | Part No. | Qty. | Description | Ref. No. | Part No. | Qty. | Description |
|----------|-----------|------|-----------------------------------|----------|----------|------|-------------|
| 1 | 58-5860 | 2 | Hose ASM | | | | |
| 2 | 75-8200 | 1 | Hose-Filter/Cooler | | | | |
| 3 | 92-5677 | 1 | Tube-Traction (only on: 03707) | | | | |
| 3 | 92-9202 | 2 | Tube-Traction (only on: 03706) | | | | |
| 3:1 | 237-58 | 1 | O-Ring | | | | |
| 4 | 33113-025 | 4 | Screw-HH | | | | |
| 5 | 43-5930 | 5 | Washer-Spring | | | | |
| 6 | 33093-00 | 3 | Washer-Flat | | | | |
| 7 | 75-8210 | 1 | Hose-Manifold/Cooler | | | | |
| 8 | 60-1900 | 1 | Tube | | | | |
| 9 | 58-3880 | 4 | Clamp-Double | | | | |
| 11 | 98-7415 | 1 | Hose-HYD | | | | |
| 12 | 92-4748 | 2 | Adapter-HYD, Tee (only on: 03707) | | | | |
| 12:1 | 237-58 | 2 | O-Ring (only on: 03707) | | | | |
| 13 | 340-69 | 2 | Elbow-Bulkhead, 45° | | | | |
| 13:1 | 237-22 | 2 | O-Ring | | | | |
| 14 | 92-4726 | 1 | Tube-Traction (only on: 03707) | | | | |
| 14:1 | 237-58 | 1 | O-Ring (only on: 03707) | | | | |
| 15 | 92-5694 | 1 | Hose ASM | | | | |
| 16 | 98-7416 | 1 | Hose-HYD (only on: 03707) | | | | |
| 16 | 98-7414 | 1 | Hose-HYD (only on: 03706) | | | | |
| 18 | 2412-92 | 2 | Clamp-Hose | | | | |
| 19 | 60-1250 | 1 | Hose-Drain, Traction Pump | | | | |
| 20 | 340-23 | 1 | Cross-Union | | | | |
| 20:1 | 237-22 | 4 | O-Ring | | | | |
| 24 | 60-1360 | 1 | Clamp-Single | | | | |
| 25 | 58-4790 | 1 | Tube-Steel | | | | |
| 26 | 340-68 | 1 | Fitting-Tee, Bulkhead | | | | |
| 26:1 | 237-22 | 3 | O-Ring | | | | |
| 27 | 58-4860 | 1 | Tube-Steel | | | | |
| 28 | 74-2820 | 1 | Tube ASM | | | | |
| 29 | 98-3843 | 1 | Tube-Steel, RH Steer | | | | |
| 29:1 | 237-22 | 1 | O-Ring | | | | |
| 30 | 98-1262 | 1 | Tube-Steel, LH Steer | | | | |
| 30:1 | 237-22 | 1 | O-Ring | | | | |
| 31 | 340-70 | 6 | Locknut-Bulkhead | | | | |
| 32 | 74-2780 | 1 | Tube ASM | | | | |
| 33 | 58-5720 | 1 | Hose ASM | | | | |
| 34 | 58-5870 | 1 | Hose ASM | | | | |
| 35 | 74-2810 | 1 | Tube ASM | | | | |
| 36 | 74-2790 | 1 | Tube ASM | | | | |
| 43 | 340-65 | 2 | O-Ring | | | | |
| 48 | 58-4710 | 1 | Tube-Steel | | | | |
| 49 | 48-7890 | 2 | Nut | | | | |
| 50 | 237-30 | 1 | O-Ring | | | | |
| 54 | 340-71 | 1 | Fitting-Straight, Bulkhead | | | | |
| 54:1 | 237-22 | 2 | O-Ring | | | | |

Hydraulic Circuit – Lift Arm

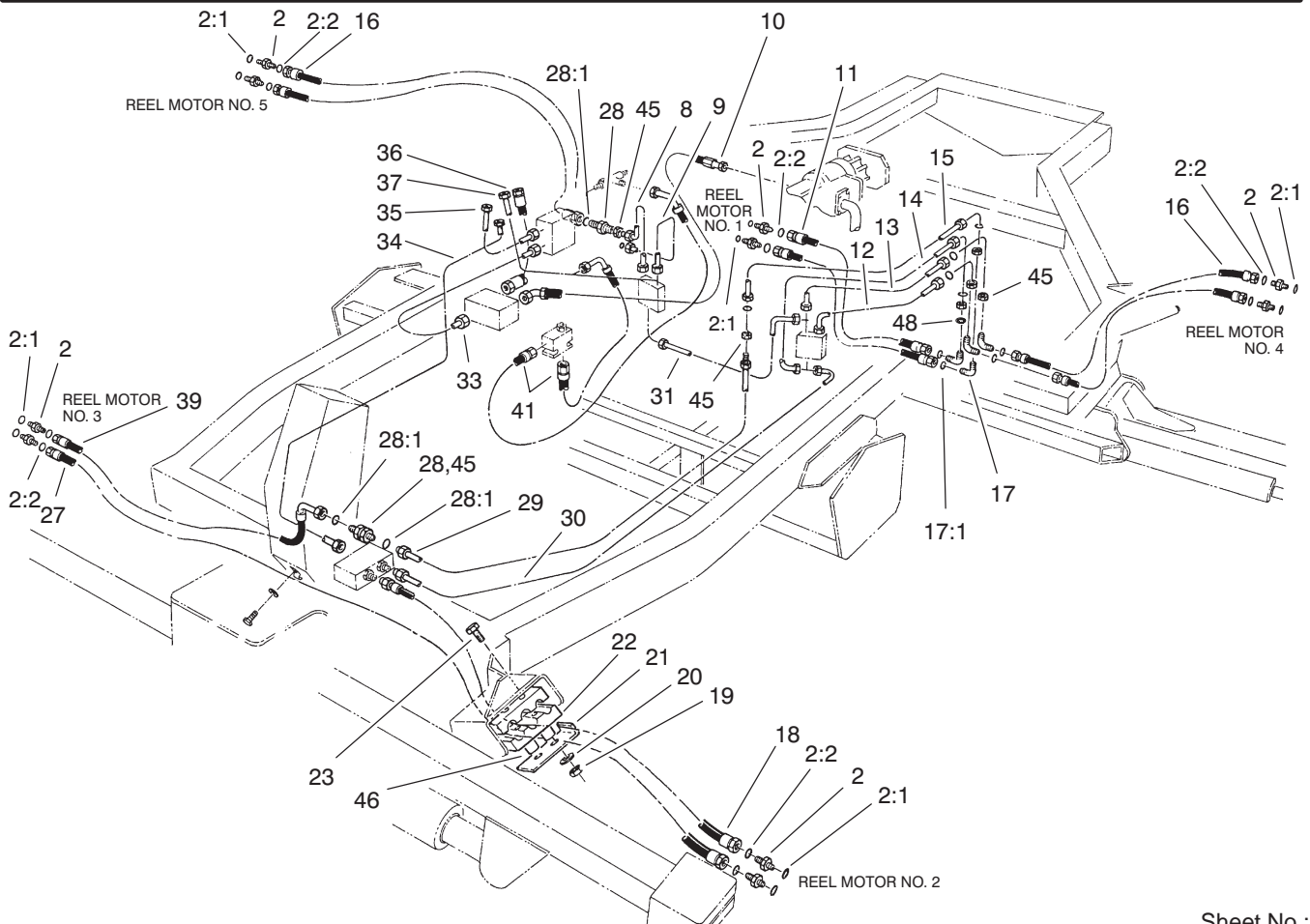
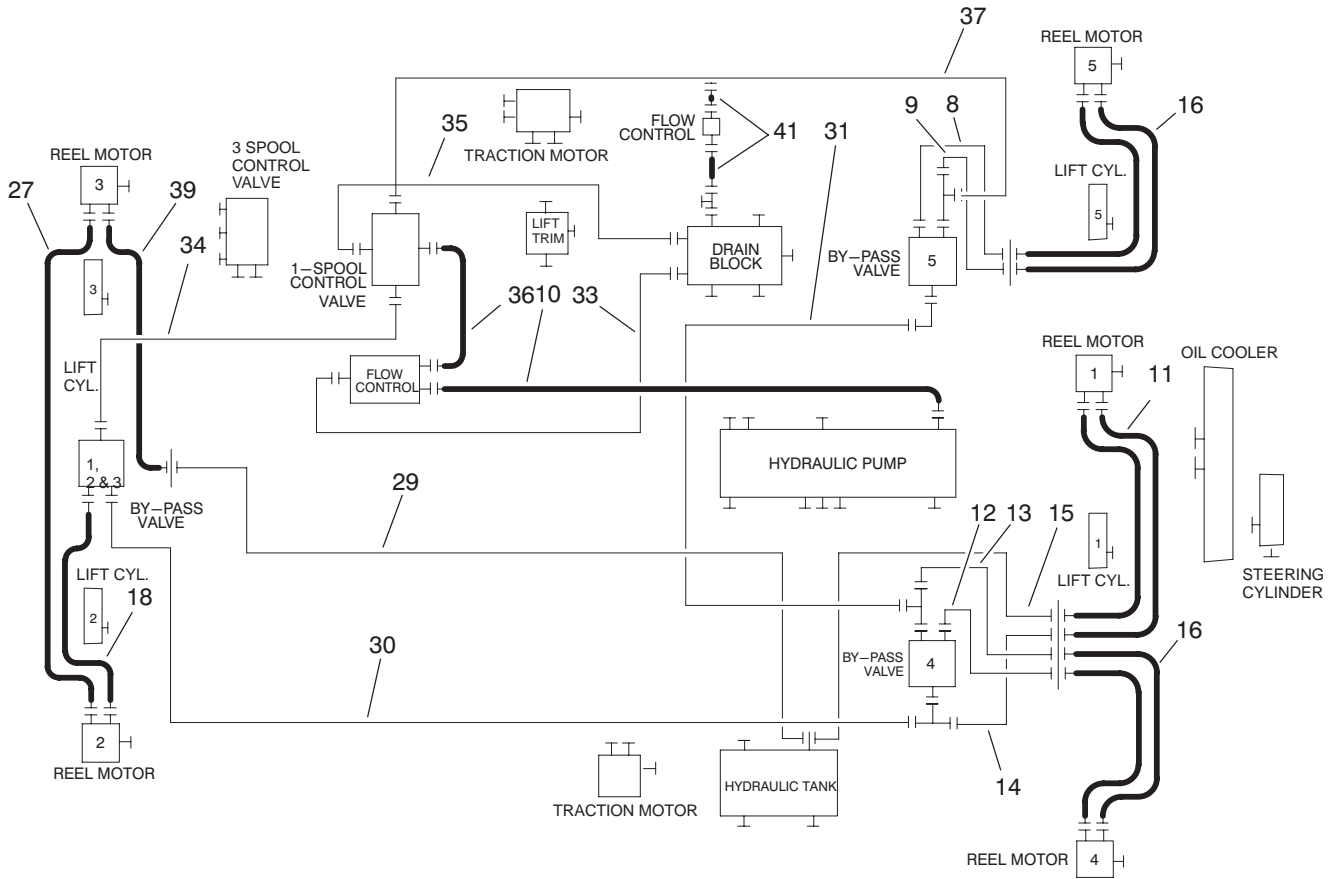


Hydraulic Circuit – Lift Arm

| Ref. No. | Part No. | Qty. | Description | Ref. No. | Part No. | Qty. | Description |
|----------|-----------|------|-------------------------------|----------|----------|------|-------------|
| 2 | 340-77 | 4 | Fitting-HYD, 90° | | | | |
| 2:1 | 237-22 | 1 | O-Ring | | | | |
| 2:2 | 237-42 | 1 | O-Ring | | | | |
| 4 | 98-7413 | 1 | Hose ASM | | | | |
| 5 | 58-4750 | 1 | Tube-Steel | | | | |
| 6 | 93-1404 | 1 | Tube-Steel | | | | |
| 8 | 63-4680 | 1 | 90° Tube ASM | | | | |
| 9 | 58-4780 | 1 | Tube-Steel | | | | |
| 11 | 58-5710 | 1 | Hose ASM | | | | |
| 13 | 68-6370 | 1 | HYD Tube Kit | | | | |
| 13:1 | 68-6380 | 1 | Tube ASM | | | | |
| 13:2 | 68-6390 | 1 | Tube ASM | | | | |
| 15 | 58-3880 | 5 | Clamp-Double | | | | |
| 16 | 33113-050 | 2 | Screw-HH | | | | |
| 17 | 43-5930 | 6 | Washer-Spring | | | | |
| 18 | 33093-00 | 2 | Washer-Flat | | | | |
| 19 | 98-7408 | 1 | Hose ASM | | | | |
| 20 | 58-4850 | 1 | Tube-Steel | | | | |
| 21 | 68-6270 | 1 | HYD Tube Kit | | | | |
| *21:1 | 68-6280 | 1 | Tube ASM | | | | |
| *21:2 | 68-6290 | 1 | Tube ASM | | | | |
| *21:3 | 68-6300 | 1 | Tube ASM | | | | |
| 22 | 60-2180 | 1 | Adaptor | | | | |
| 23 | 98-7406 | 1 | Hose ASM | | | | |
| 24 | 340-68 | 3 | Fitting-Tee, Bulkhead | | | | |
| 24:1 | 237-22 | 3 | O-Ring | | | | |
| 25 | 98-7411 | 1 | Hose ASM | | | | |
| 26 | 340-71 | 4 | Fitting-Straight, Bulkhead | | | | |
| 26:1 | 237-22 | 2 | O-Ring | | | | |
| 27 | 98-7410 | 1 | Hose ASM | | | | |
| 28 | 340-87 | 1 | Fitting-HYD, 45° | | | | |
| 28:1 | 237-22 | 1 | O-Ring | | | | |
| 28:2 | 237-42 | 1 | O-Ring | | | | |
| 29 | 98-7409 | 2 | Hose ASM | | | | |
| 29:1 | 237-22 | 1 | O-Ring | | | | |
| 30 | 98-7407 | 1 | Hose ASM | | | | |
| 31 | 58-4760 | 1 | Tube-Steel | | | | |
| 32 | 58-4880 | 1 | Tube-Steel | | | | |
| 33 | 98-7412 | 1 | Hose ASM | | | | |
| 33:1 | 237-22 | 1 | O-Ring | | | | |
| 34 | 58-4870 | 1 | Tube-Steel | | | | |
| 35 | 98-7405 | 1 | Hose ASM | | | | |
| 35:1 | 237-22 | 1 | O-Ring | | | | |
| 36 | 60-1360 | 3 | Clamp-Single | | | | |
| 37 | 33113-025 | 5 | Screw-HH | | | | |
| 38 | 340-70 | 8 | Locknut-Bulkhead | | | | |
| 39 | 48-7890 | 3 | Nut | | | | |

* Not illustrated

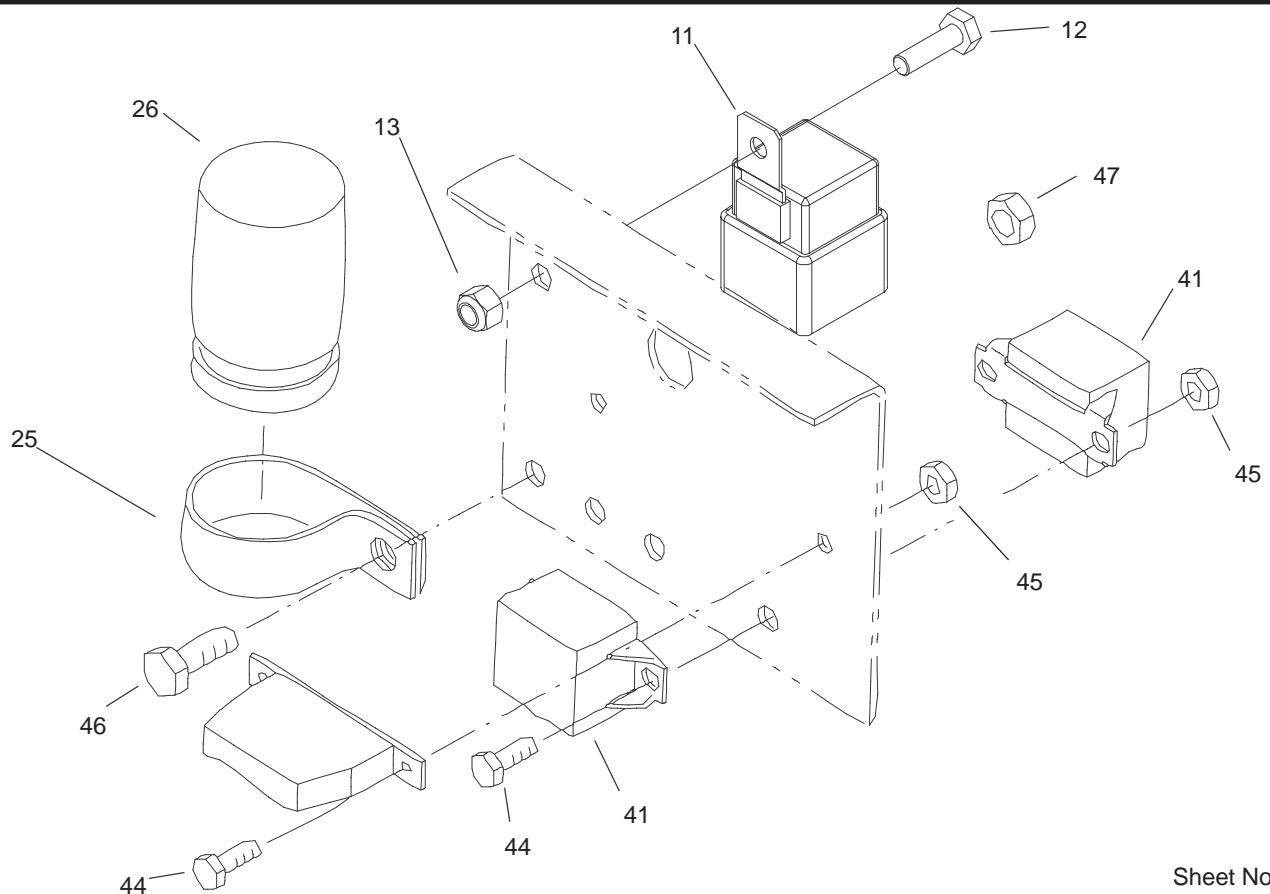
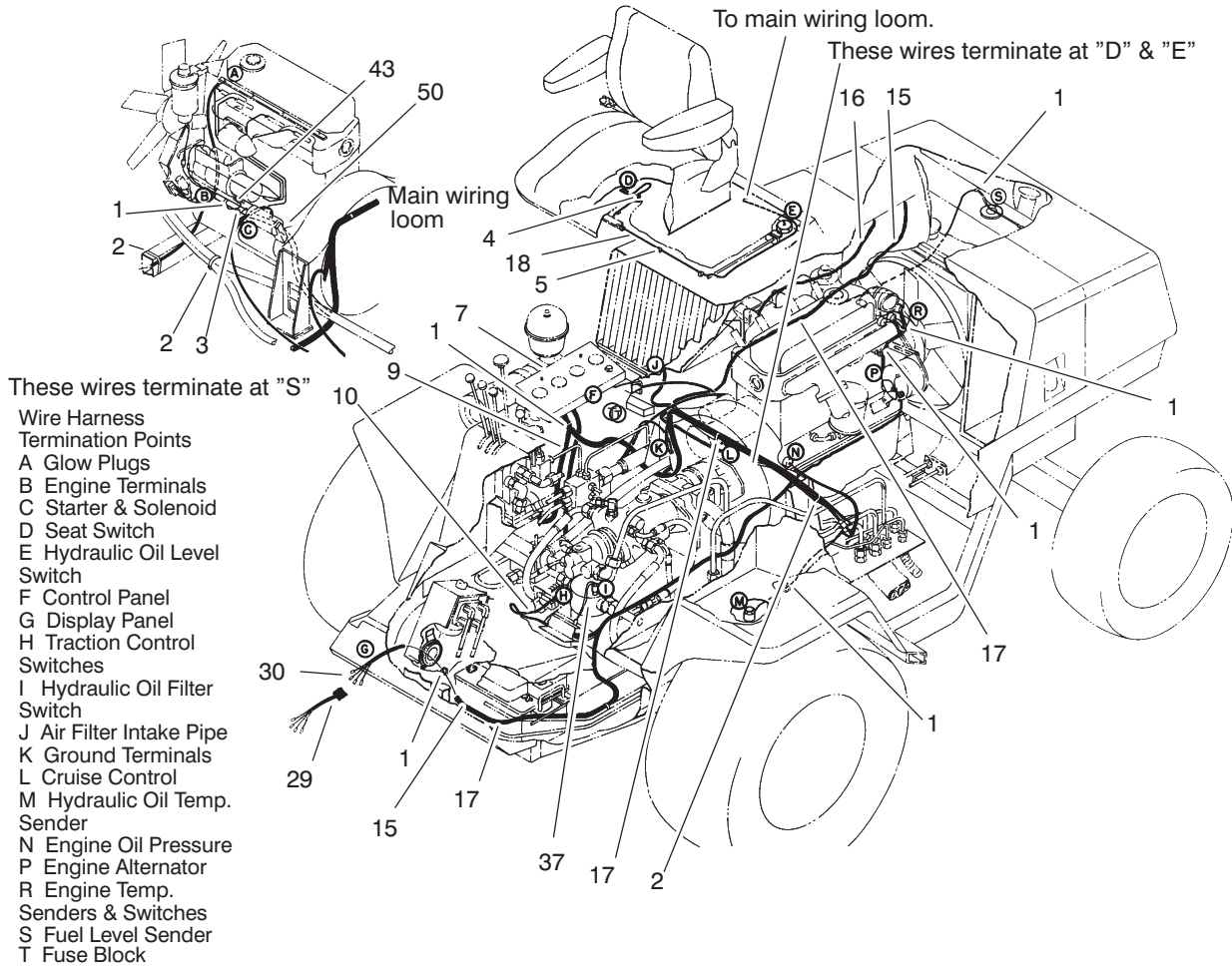
Hydraulic Circuit – Cutting Unit



Hydraulic Circuit – Cutting Unit

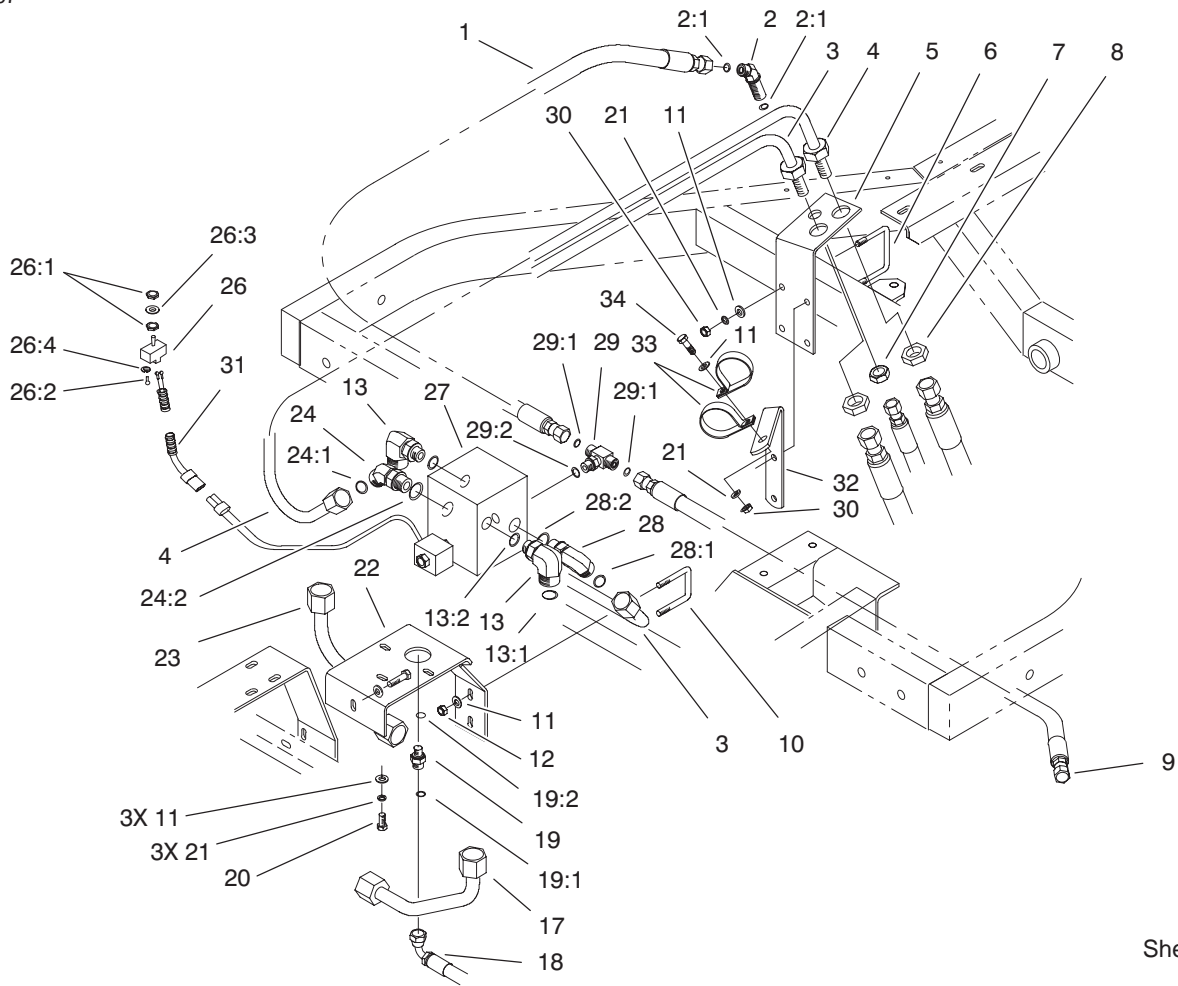
| Ref. No. | Part No. | Qty. | Description | Ref. No. | Part No. | Qty. | Description |
|----------|------------|------|-------------------------------------|----------|----------|------|-------------|
| 2 | 340-8 | 10 | Adapter | | | | |
| 2:1 | 237-65 | 1 | O-Ring | | | | |
| 2:2 | 237-81 | 1 | O-Ring | | | | |
| 8 | 58-4960 | 1 | Tube-Steel | | | | |
| 9 | 58-4970 | 1 | Tube-Steel | | | | |
| 10 | 58-5730 | 1 | Hose ASM | | | | |
| 11 | 98-7404 | 2 | Hose ASM | | | | |
| 12 | 58-5060 | 1 | Tube-Steel | | | | |
| 13 | 58-5000 | 1 | Tube-Steel | | | | |
| 14 | 58-5020 | 1 | Tube-Steel | | | | |
| 15 | 58-5040 | 1 | Tube-Steel | | | | |
| 16 | 98-7403 | 4 | Hose ASM | | | | |
| 17 | 340-72 | 4 | Union-Elbow Bulkhead, 90° | | | | |
| 17:1 | 237-65 | 2 | O-Ring | | | | |
| 18 | 98-7400 | 1 | Hose ASM | | | | |
| 19 | 3296-8 | 4 | Nut-Lock, NI | | | | |
| 20 | 3256-16 | 4 | Washer-Flat | | | | |
| 21 | 74-2750-03 | 2 | Retainer | | | | |
| 22 | 74-2710 | 4 | Clamp-Hose | | | | |
| 23 | 321-14 | 4 | Screw-HH | | | | |
| 27 | 98-7401 | 1 | Hose ASM | | | | |
| 28 | 340-76 | 3 | Fitting-Bulkhead Union, Straight | | | | |
| 28:1 | 237-65 | 2 | O-Ring | | | | |
| 29 | 58-4990 | 1 | Tube-Steel | | | | |
| 30 | 58-5070 | 1 | Tube-Steel | | | | |
| 31 | 58-4950 | 1 | Tube-Steel | | | | |
| 33 | 58-5050 | 1 | Tube-Steel | | | | |
| 34 | 58-5030 | 1 | Tube-Steel | | | | |
| 35 | 58-4980 | 1 | Tube-Steel | | | | |
| 36 | 60-3340 | 1 | Hose ASM | | | | |
| 37 | 63-4710 | 1 | Tube ASM | | | | |
| 39 | 98-7402 | 1 | Hose ASM | | | | |
| 41 | 60-1250 | 2 | Hose-Drain, Traction Pump | | | | |
| 45 | 340-74 | 8 | Locknut-Bulkhead | | | | |
| 46 | 74-2730 | 4 | Tube | | | | |
| 48 | 3254-21 | 2 | Washer-Lock/Int | | | | |

Electrical System Diagram



Electrical System Diagram

| Ref. No. | Part No. | Qty. | Description | Ref. No. | Part No. | Qty. | Description |
|----------|----------|------|-----------------------------|----------|----------|------|-------------|
| 1 | 3290-378 | 29 | Tie-Cable | | | | |
| 2 | 3290-379 | 5 | Tie-Cable | | | | |
| 3 | 2412-109 | 1 | Clip-J | | | | |
| 4 | 237-100 | 1 | Grommet | | | | |
| 5 | 104-5232 | 4 | Clip-Wire | | | | |
| 7 | 105-9279 | 1 | Harness-Wire, Control Panel | | | | |
| 9 | 82-9790 | 1 | Harness | | | | |
| 10 | 104-5205 | 1 | Harness-Wire, Micro Switch | | | | |
| 11 | 99-7430 | 1 | Relay-Speedometer, Sealed | | | | |
| 12 | 321-5 | 1 | Screw-HH | | | | |
| 13 | 3296-42 | 1 | Nut-Lock, NI | | | | |
| 15 | 58-3850 | 1 | Cable | | | | |
| 16 | 43-4030 | 1 | Cable-Battery To Solenoid | | | | |
| 17 | 104-5231 | 1 | Harness-Wire, Main | | | | |
| 18 | 82-9750 | 1 | Harness | | | | |
| 25 | 2412-74 | 1 | R-Clamp | | | | |
| 26 | 37-2690 | 1 | Capacitor | | | | |
| 26:1 | 3252-18 | 2 | Screw | | | | |
| 26:2 | 3254-1 | 2 | Washer-Lock, Internal | | | | |
| 29 | 82-9230 | 2 | Harness | | | | |
| 30 | 98-3819 | 1 | Harness-Wire, Light Cluster | | | | |
| 37 | 86-5990 | 1 | Harness-Filter | | | | |
| 41 | 66-8800 | 2 | Relay | | | | |
| 43 | 93-3190 | 1 | Boot-Terminal, Insulator | | | | |
| 44 | 32105-13 | 4 | Screw-SHH | | | | |
| 45 | 3296-2 | 4 | Nut-Lock | | | | |
| 46 | 321-4 | 1 | Screw-HH | | | | |
| 47 | 3296-42 | 1 | Nut-Lock, NI | | | | |
| 50 | 99-3441 | 1 | Harness-Wire, Fusible Link | | | | |

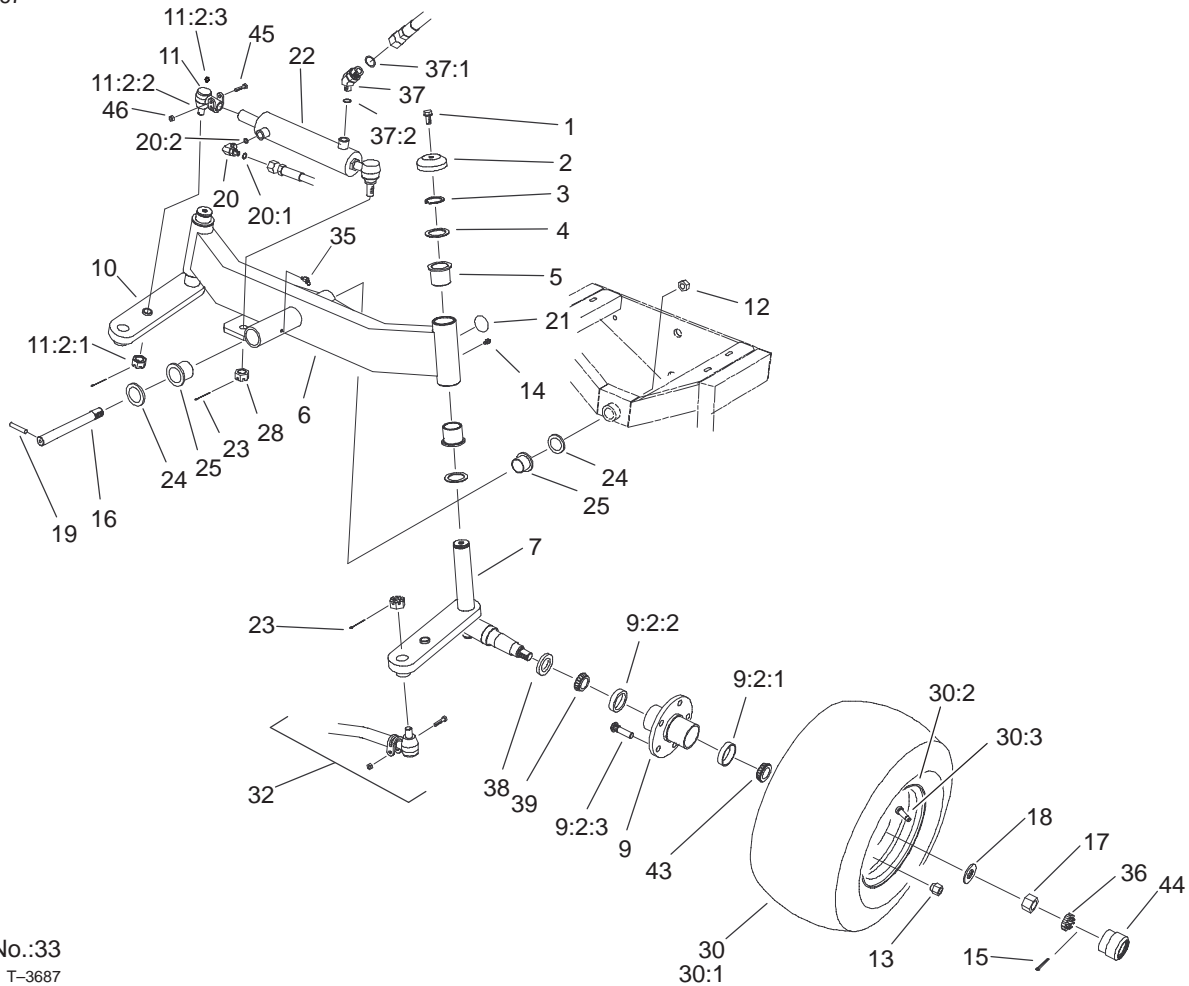


Sheet No.:28
T-3685

4 Wheel Drive Hydraulic Plumbing Assembly (only on: 03707)

| Ref. No. | Part No. | Qty. | Description |
|----------|------------|------|---------------------|
| 1 | 92-5691 | 1 | Hose ASM |
| 2 | 340-69 | 1 | Elbow-Bulkhead, 45° |
| 2:1 | 237-22 | 2 | O-Ring |
| 3 | 92-5690 | 1 | Reverse Tube ASM |
| 4 | 92-5689 | 1 | Forward Tube ASM |
| 5 | 92-5693-01 | 1 | Bracket-Bulkhead |
| 6 | 92-5692 | 2 | U-Bolt |
| 7 | 340-70 | 1 | Locknut-Bulkhead |
| 8 | 340-74 | 2 | Locknut-Bulkhead |
| 9 | 92-4725 | 1 | Hose ASM |
| 10 | 66-5560 | 1 | U-Bolt |
| 11 | 3256-23 | 10 | Washer-Flat |
| 12 | 3296-29 | 2 | Nut-Lock, NI |
| 13 | 92-5696 | 2 | Fitting-HYD, 90° |
| 13:1 | 237-58 | 1 | O-Ring |
| 13:2 | 237-79 | 1 | O-Ring |
| 17 | 92-4728 | 1 | Tube-Front |
| 18 | 92-5687 | 1 | Hose ASM |
| 19 | 340-88 | 1 | Adapter |
| 19:1 | 237-22 | 1 | O-Ring |
| 19:2 | 237-78 | 1 | O-Ring |
| 20 | 322-3 | 3 | Screw-HH |
| 21 | 3253-4 | 8 | Washer-Lock |
| 22 | 86-6460-01 | 1 | Bracket-Block |

| Ref. No. | Part No. | Qty. | Description |
|----------|------------|------|--------------------------|
| 23 | 92-4727 | 1 | Tube-Rear |
| 24 | 340-14 | 1 | Fitting-HYD, 45° |
| 24:1 | 237-65 | 1 | O-Ring |
| 24:2 | 237-80 | 1 | O-Ring |
| 26 | 69-9740 | 1 | Switch |
| 26:1 | 218-498 | 2 | Locknut-Hex |
| 26:2 | 218-588 | 3 | Screw |
| 26:3 | 218-589 | 1 | Nut/Lockwasher |
| 26:4 | 3253-19 | 3 | Washer-Lock/Sp |
| 27 | 92-2982 | 1 | Control Block ASM |
| 28 | 340-17 | 1 | Fitting-HYD, 90° |
| 28:1 | 237-65 | 1 | O-Ring |
| 28:2 | 237-80 | 1 | O-Ring |
| 29 | 340-94 | 1 | Adapter |
| 29:1 | 237-22 | 2 | O-Ring |
| 29:2 | 237-42 | 1 | O-Ring |
| 30 | 3217-6 | 5 | Nut-Hex |
| 31 | 3290-378 | 1 | Tie-Cable |
| 32 | 99-8741-01 | 1 | Bracket-Support, Hose |
| 33 | 2412-107 | 2 | Clamp-R |
| 34 | 322-45 | 1 | Screw-HH |

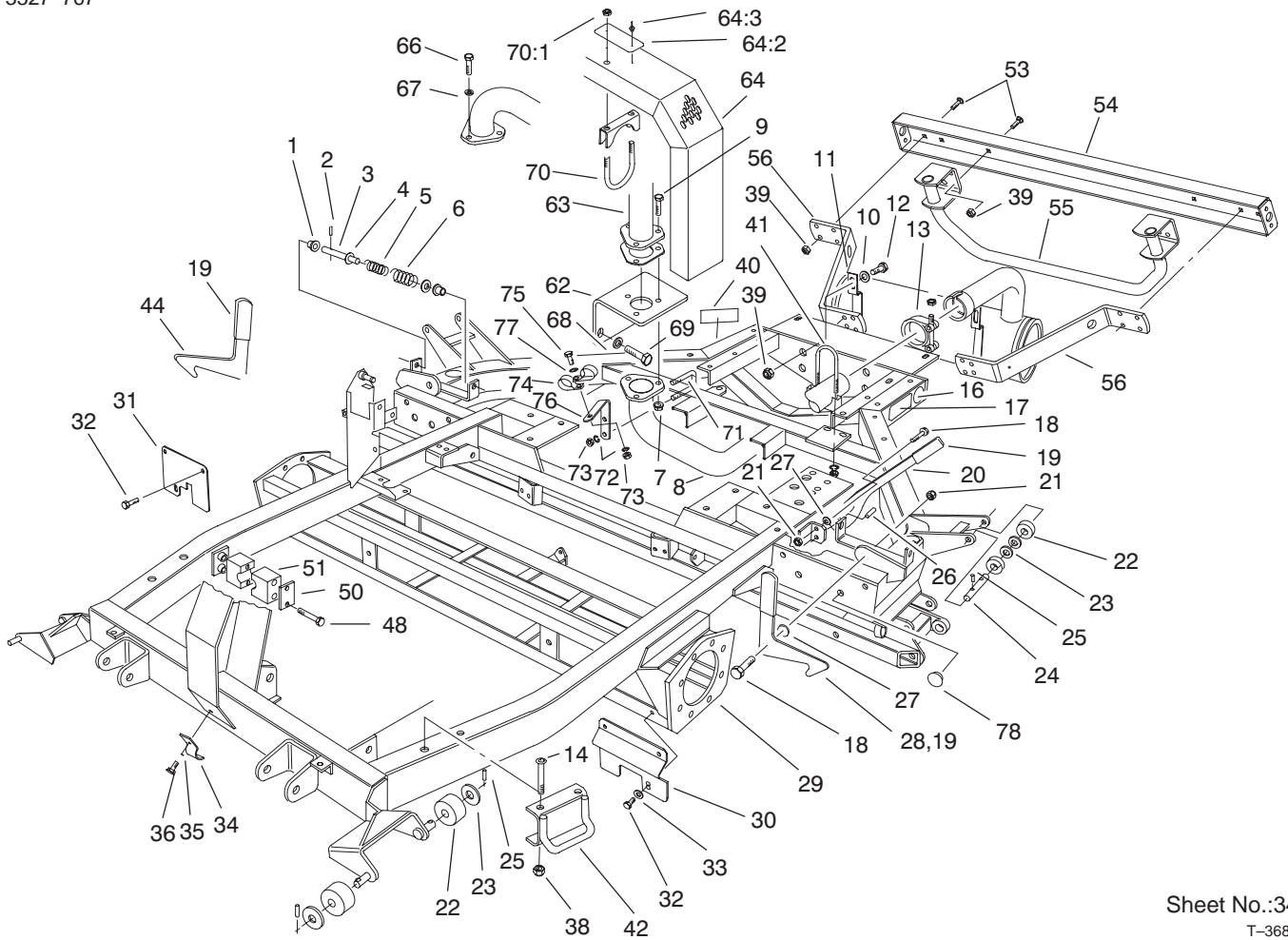


Sheet No.:33
T-3687

Steering Axle Assembly (only on: 03706)

| Ref. No. | Part No. | Qty. | Description |
|----------|------------|------|----------------------|
| 1 | 3234-12 | 2 | Screw-HHF |
| 2 | 69-8890 | 2 | Cap-Spindle |
| 3 | 32151-10 | 2 | Ring-Snap |
| 4 | 256-304 | 4 | Washer-Thrust |
| 5 | 69-6470 | 4 | Bushing-Castor |
| 6 | 82-9850-03 | 1 | Axle-Rear |
| 7 | 93-0311-03 | 1 | Spindle-Wheel, LH |
| 9 | 69-2960-03 | 2 | Hub Sub ASM |
| 9:2:1 | 254-107 | 1 | Cup-Bearing, Tapered |
| 9:2:2 | 254-72 | 1 | Bearing-Cup, Tapered |
| 9:2:3 | 69-2990 | 5 | Stud-Wheel |
| 10 | 93-0310-03 | 1 | Spindle-Wheel, RH |
| 11 | 69-9810-03 | 1 | Ball Joint ASM |
| 11:2:1 | 105-7941 | 1 | Nut-Hex, Slotted |
| 11:2:2 | 71-4760 | 1 | Seal |
| 11:2:3 | 302-5 | 1 | Fitting-Grease |
| 12 | 3296-49 | 1 | Nut-Lock NI |
| 13 | 23-7270 | 10 | Nut-Wheel |
| 14 | 302-5 | 2 | Fitting-Grease |
| 15 | 3272-13 | 2 | Pin-Cotter |
| 16 | 82-9210 | 1 | Shaft-Pivot |
| 17 | 3220-7 | 2 | Nut-Jam |
| 18 | 93-0309 | 2 | Washer-Tab |
| 19 | 60-3670 | 1 | Pin |
| 20 | 340-97 | 1 | Fitting-HYD, 90° |
| 20:1 | 237-22 | 1 | O-Ring |

| Ref. No. | Part No. | Qty. | Description |
|----------|------------|------|-----------------------|
| 20:2 | 237-78 | 1 | O-Ring |
| 21 | 58-6520 | 2 | Decal-Grease |
| 22 | 77-4800 | 1 | Cylinder-HYD |
| 23 | 3272-12 | 4 | Pin-Cotter |
| 24 | 48-6660 | 2 | Washer |
| 25 | 48-6640 | 2 | Bearing |
| 28 | 32136-13 | 2 | Nut-SHH |
| 30 | 69-9870 | 2 | Wheel ASM |
| 30:1 | 69-9880 | 1 | Tire |
| 30:2 | 217-116 | 1 | Rim-Wheel |
| 30:3 | 232-27 | 1 | Stem-Valve |
| 32 | 82-9260-03 | 1 | Tie Rod ASM |
| 35 | 302-11 | 1 | Fitting-Lube, 45° |
| 36 | 93-0307 | 2 | Nut-Lock, Retainer |
| 37 | 340-54 | 1 | Elbow-45° |
| 37:1 | 237-22 | 1 | O-Ring |
| 37:2 | 237-78 | 1 | O-Ring |
| 38 | 69-2980 | 2 | Seal |
| 39 | 254-106 | 2 | Cone-Bearing, Tapered |
| 43 | 254-92 | 2 | Cone-Bearing, Outer |
| 44 | 69-2970 | 2 | Cap-Hub |
| 45 | 3210-7 | 1 | Screw-HH |
| 46 | 32152-5 | 1 | Nut-Conelock |

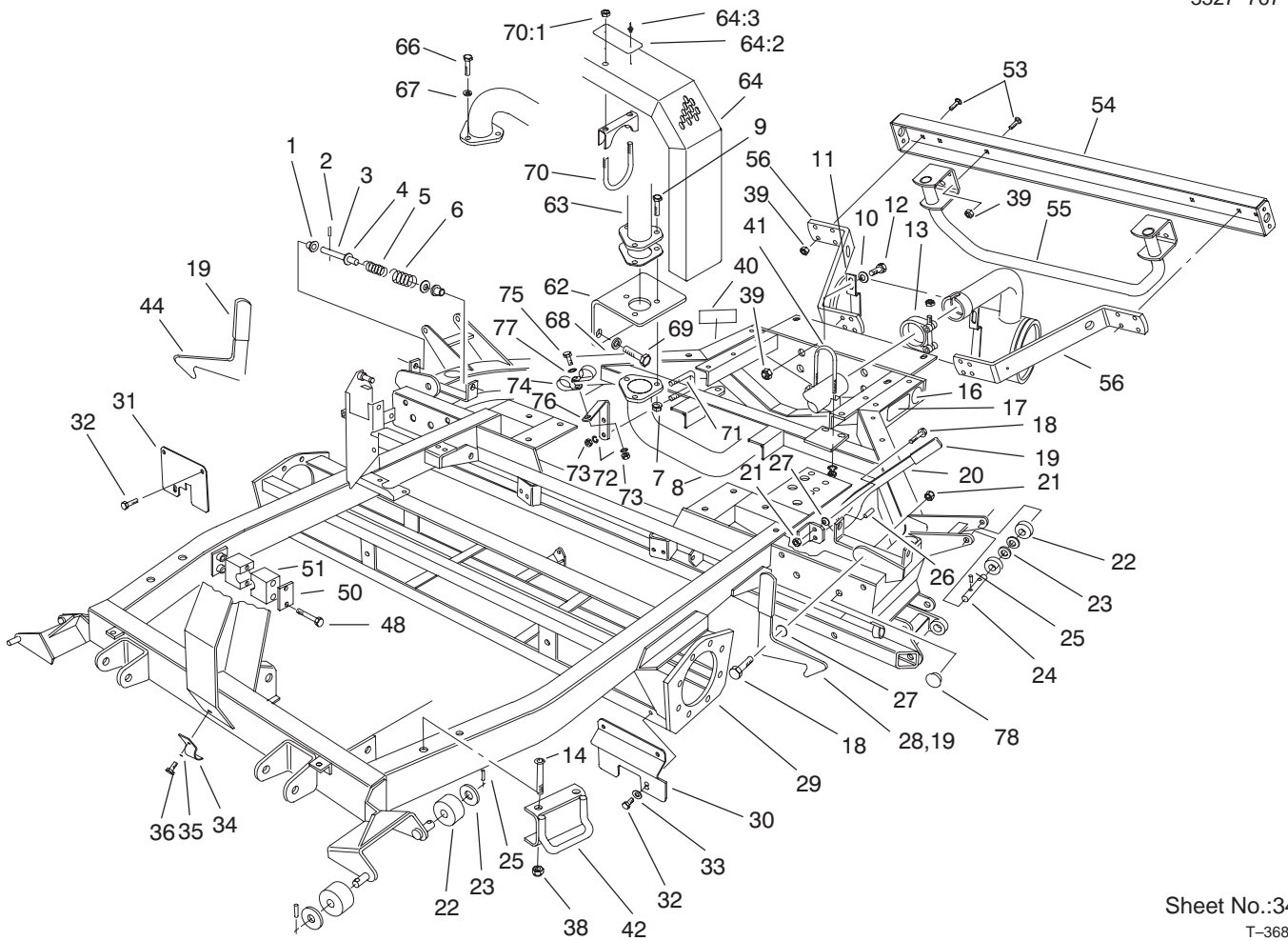


Sheet No.:34
T-3689

Frame and Muffler Assembly (only on: 03706)

| Ref. No. | Part No. | Qty. | Description |
|----------|------------|------|---------------------|
| 1 | 58-2800 | 4 | Bushing |
| 2 | 60-3720 | 2 | Pin-Roll |
| 3 | 58-2810 | 2 | Rod |
| 4 | 3256-7 | 4 | Washer-Flat |
| 5 | 48-6780 | 2 | Spring-Compression |
| 6 | 60-1240 | 2 | Spring |
| 7 | 3296-29 | 3 | Nut-Lock, NI |
| 8 | 98-1230-03 | 1 | Tube-Lower |
| 9 | 322-7 | 3 | Screw-HH |
| 10 | 3256-24 | 4 | Washer-Flat |
| 11 | 74-2850 | 1 | Silencer ASM |
| 12 | 323-9 | 4 | Screw-HH |
| 13 | 2412-132 | 1 | Clamp |
| 14 | 3289-25 | 4 | Screw-SFH |
| 16 | 58-6520 | 3 | Decal-Grease |
| 17 | 93-9405 | 2 | Decal-Pressure, Air |
| 18 | 33116-030 | 3 | Screw-HH |
| 19 | 48-7080 | 3 | Grip-Plastic |
| 20 | 86-6570-03 | 1 | Latch |
| 21 | 51-2070 | 3 | Nut |
| 22 | 82-4910 | 8 | Roller |
| 23 | 51-2060 | 8 | Washer |
| 24 | 60-0160 | 2 | Pin |
| 25 | 60-2110 | 8 | Pin |
| 26 | 48-8830 | 1 | Pin-Expansion |
| 27 | 48-8850 | 3 | Spring-Disc |

| Ref. No. | Part No. | Qty. | Description |
|----------|------------|------|---------------------|
| 28 | 86-6590-03 | 1 | Latch-LH |
| 29 | 94-8268-01 | 1 | Frame |
| 30 | 60-4190-03 | 1 | Shield-Grass, LH |
| 31 | 60-4200-03 | 1 | Shield-Grass, RH |
| 32 | 48-6900 | 6 | Screw |
| 33 | 33093-00 | 2 | Washer-Flat |
| 34 | 60-2080 | 1 | Clamp-Hose |
| 35 | 42-9850 | 1 | Washer-Lock, Spring |
| 36 | 48-7680 | 1 | Screw-HH |
| 38 | 3296-23 | 4 | Nut-Lock, NI |
| 39 | 3296-39 | 16 | Nut-Lock, NI |
| 40 | 88-6700 | 1 | Decal-Ansi |
| 41 | 76-3560 | 1 | Clamp |
| 42 | 92-4768-03 | 2 | Tiedown |
| 44 | 86-6580-03 | 1 | Latch-RH |
| 48 | 321-9 | 2 | Screw-HH |
| 50 | 82-2980 | 1 | Plate-Cover |
| 51 | 82-2990 | 2 | Clamp-Half |
| 53 | 3231-25 | 12 | Screw-CARR |
| 54 | 92-6052-03 | 1 | Bumper-Rear |
| 55 | 92-6050-03 | 1 | Guard ASM |
| 56 | 92-6051-03 | 2 | Bracket-Bumper |
| 62 | 98-1246-03 | 1 | Bracket-Exhaust |
| 63 | 98-1231-03 | 1 | Tube-Upper |
| 64 | 98-7890 | 1 | Shield-Exhaust |
| 64:2 | 95-0645 | 1 | Plate-Surface, Hot |

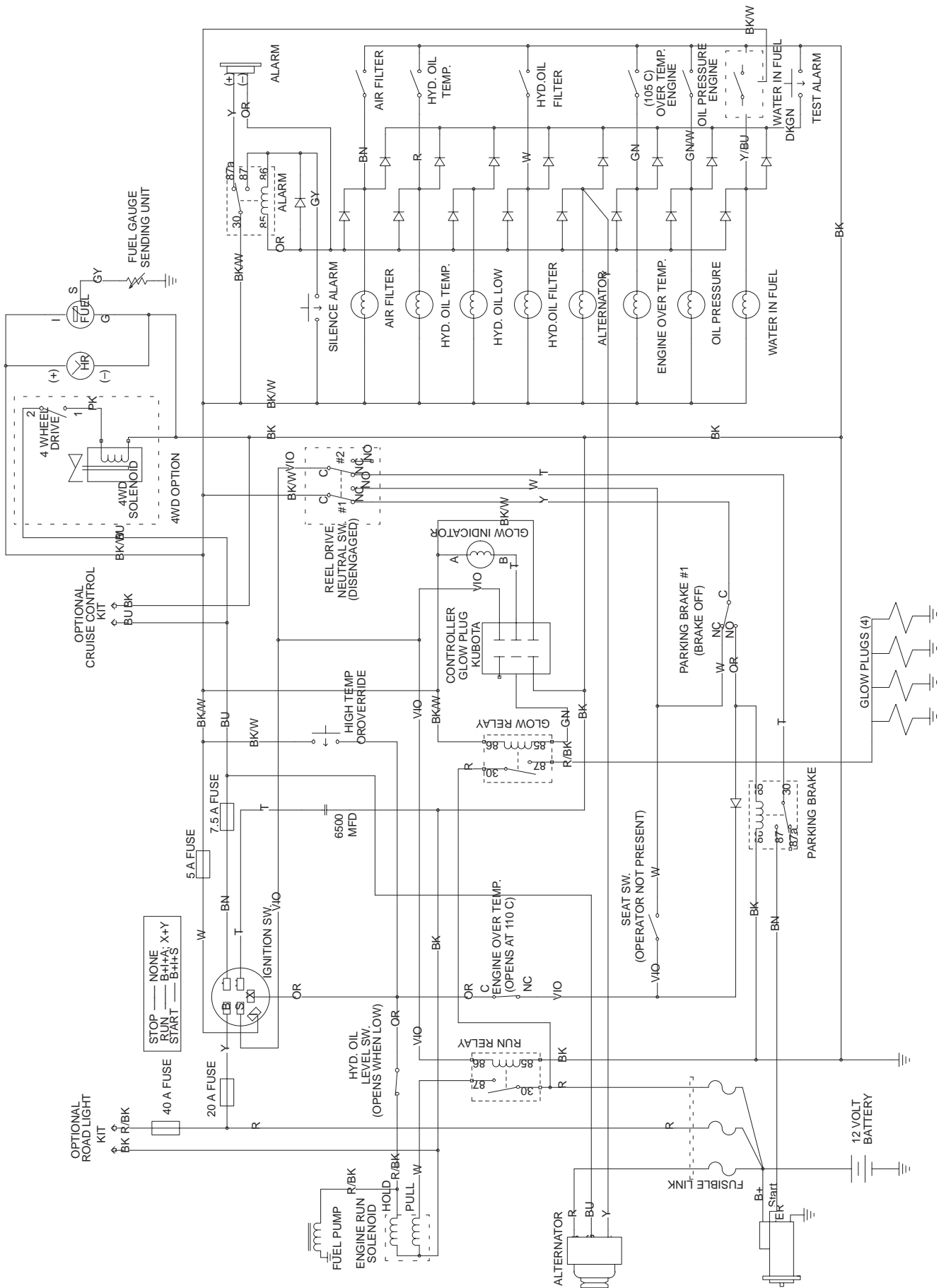


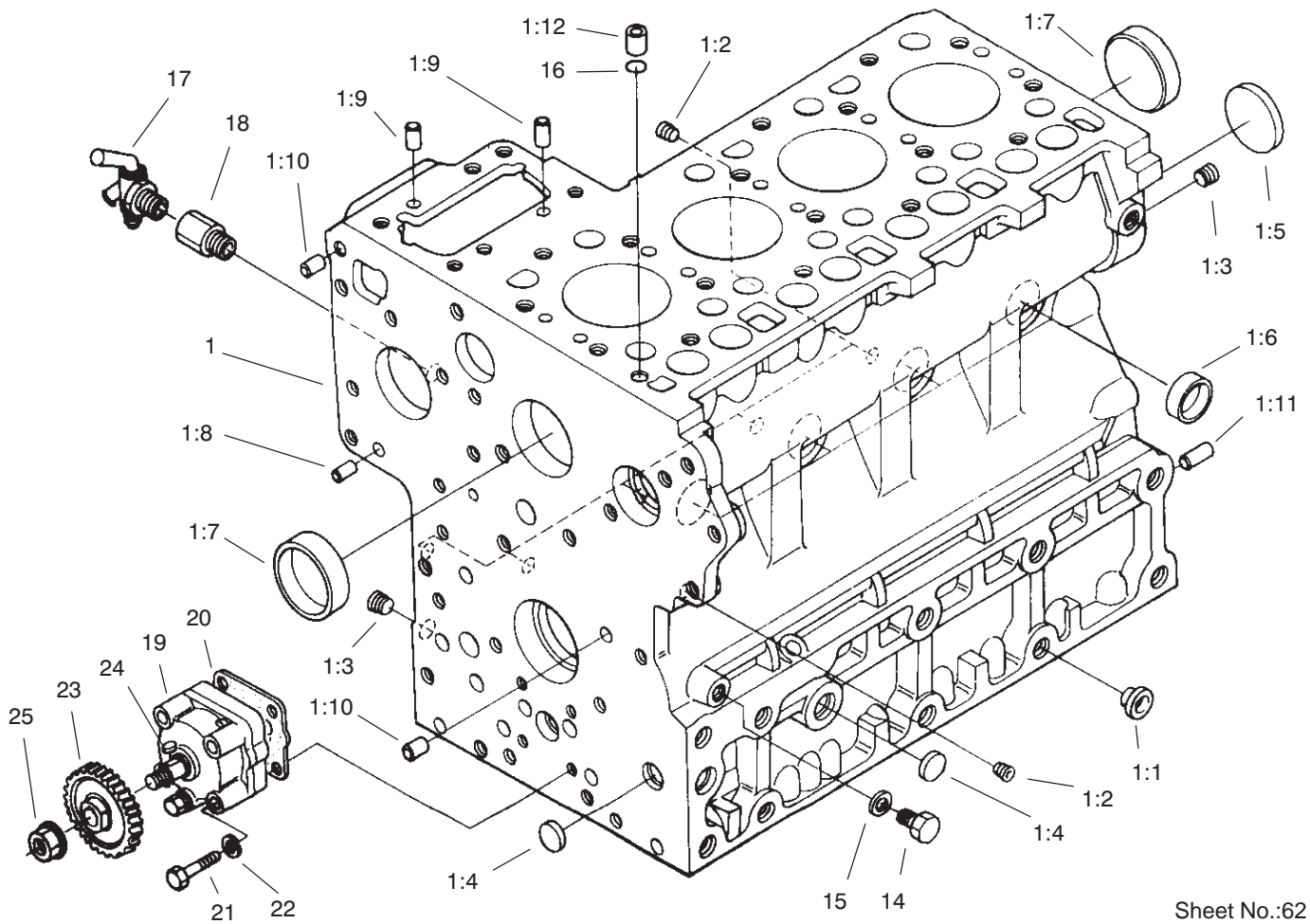
Sheet No.:34
T-3689

Frame and Muffler Assembly (only on: 03706) (Continued)

| Ref. No. | Part No. | Qty. | Description | Ref. No. | Part No. | Qty. | Description |
|----------|------------|------|-----------------------|----------|----------|------|-------------|
| 64:3 | 3290-271 | 2 | Rivet-Pop | | | | |
| 66 | 33114-025 | 3 | Screw-HH | | | | |
| 67 | 42-9850 | 3 | Washer-Lock, Spring | | | | |
| 68 | 43-5940 | 2 | Lockwasher-Spring | | | | |
| 69 | 42-9250 | 2 | Bolt | | | | |
| 70 | 2112-6 | 2 | Clamp-Muffler | | | | |
| 70:1 | 3218-2 | 2 | Nut-Jam | | | | |
| 71 | 92-5692 | 1 | U-Bolt | | | | |
| 72 | 3253-4 | 3 | Washer-Lock | | | | |
| 73 | 3217-6 | 3 | Nut-Hex | | | | |
| 74 | 2412-107 | 2 | Clamp-R | | | | |
| 75 | 322-45 | 1 | Screw-HH | | | | |
| 76 | 99-8741-01 | 1 | Bracket-Support, Hose | | | | |
| 77 | 3256-23 | 1 | Washer-Flat | | | | |
| 78 | 92-6059 | 12 | Plug-Button | | | | |

Electrical Schematic

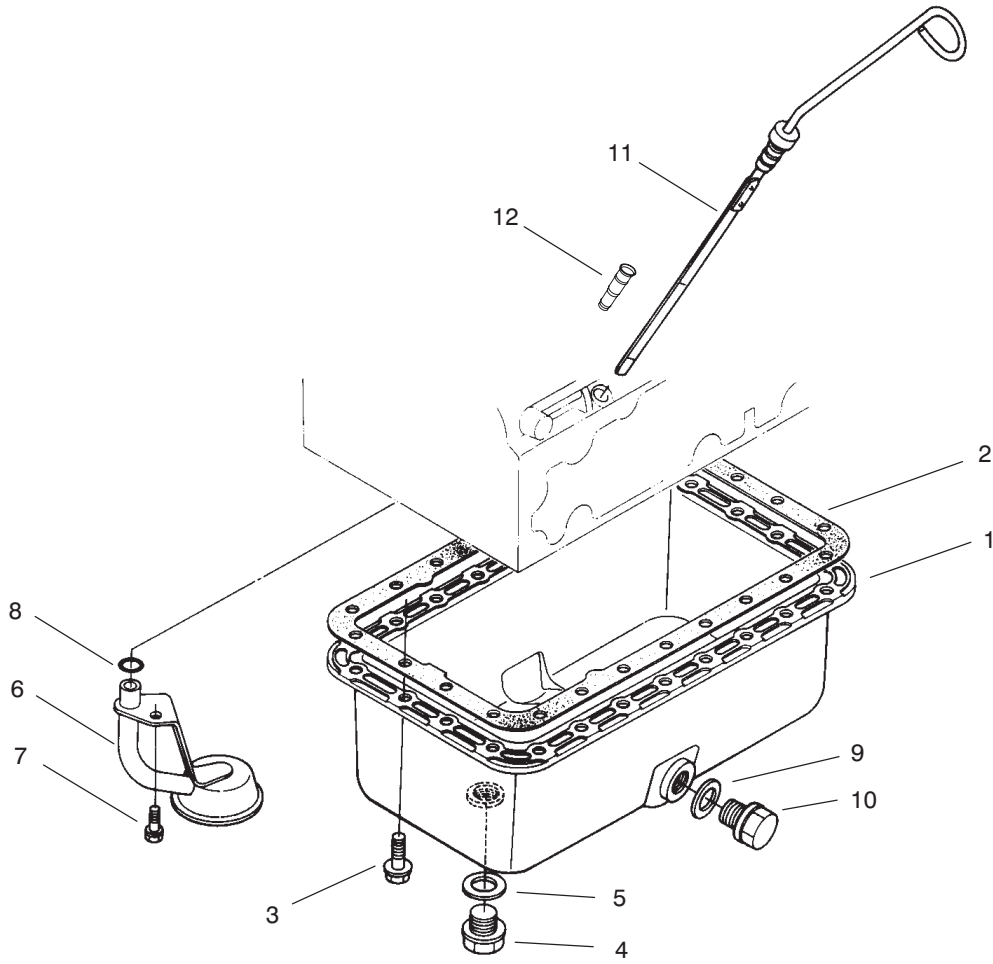




Sheet No.:62

Crankcase Assembly

| Ref. No. | Part No. | Qty. | Description | Ref. No. | Part No. | Qty. | Description |
|----------|----------|------|----------------------|----------|----------|------|-------------|
| 1 | 98-7485 | 1 | Crankshaft—Complete | | | | |
| 1:1 | 98-7486 | 2 | Plug | | | | |
| 1:2 | 98-7487 | 6 | Plug | | | | |
| 1:3 | 98-7488 | 2 | Plug | | | | |
| 1:4 | 98-7489 | 3 | Plug | | | | |
| 1:5 | 98-7490 | 1 | Plug | | | | |
| 1:6 | 98-7500 | 6 | Cap—Sealing | | | | |
| 1:7 | 98-7501 | 2 | Cap—Sealing | | | | |
| 1:8 | 98-7502 | 2 | Pin—Straight | | | | |
| 1:9 | 98-7503 | 2 | Pin—Straight | | | | |
| 1:10 | 98-7504 | 2 | Pin—Straight | | | | |
| 1:11 | 98-7505 | 1 | Pin—Straight | | | | |
| 1:12 | 98-7506 | 1 | Pin—Pipe | | | | |
| 14 | 98-7507 | 1 | Plug | | | | |
| 15 | 98-7528 | 1 | O—Ring | | | | |
| 16 | 98-7509 | 1 | O—Ring | | | | |
| 17 | 98-7510 | 1 | Cock—Drain | | | | |
| 18 | 98-7511 | 1 | Joint—Cock, Drain | | | | |
| 19 | 98-7512 | 1 | Oil Pump ASM | | | | |
| 20 | 98-7513 | 1 | Gasket—Pump, Oil | | | | |
| 21 | 98-7514 | 4 | Bolt | | | | |
| 22 | 98-7515 | 4 | Washer—Spring | | | | |
| 23 | 98-7516 | 1 | Gear—Drive, Oil Pump | | | | |
| 24 | 98-7517 | 1 | Key—Feather | | | | |
| 25 | 98-7518 | 1 | Nut—Flange | | | | |

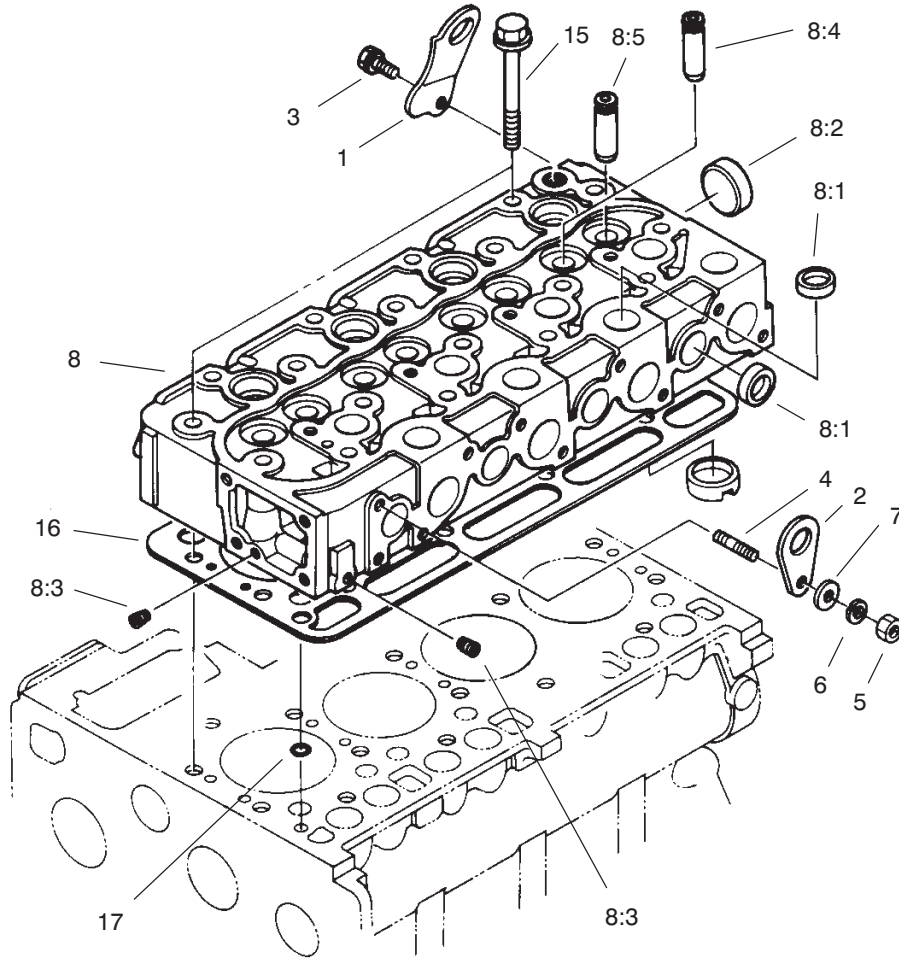


Sheet No.:63

Oil Pan Assembly

| Ref. No. | Part No. | Qty. | Description |
|----------|----------|------|-------------|
| 1 | 98-7520 | 1 | Pan-Oil |
| 2 | 98-7521 | 1 | Gasket |
| 3 | 98-7522 | 24 | Bolt-Flange |
| 4 | 98-7523 | 1 | Plug-Drain |
| 5 | 98-7524 | 1 | Gasket |
| 6 | 98-7525 | 1 | Filter-Oil |
| 7 | 98-7526 | 1 | Bolt |
| 8 | 98-7527 | 1 | O-Ring |
| 9 | 98-7528 | 1 | O-Ring |
| 10 | 98-7529 | 1 | Plug-Drain |
| 11 | 105-4579 | 1 | Gauge-Oil |
| 12 | 105-4580 | 1 | Guide |

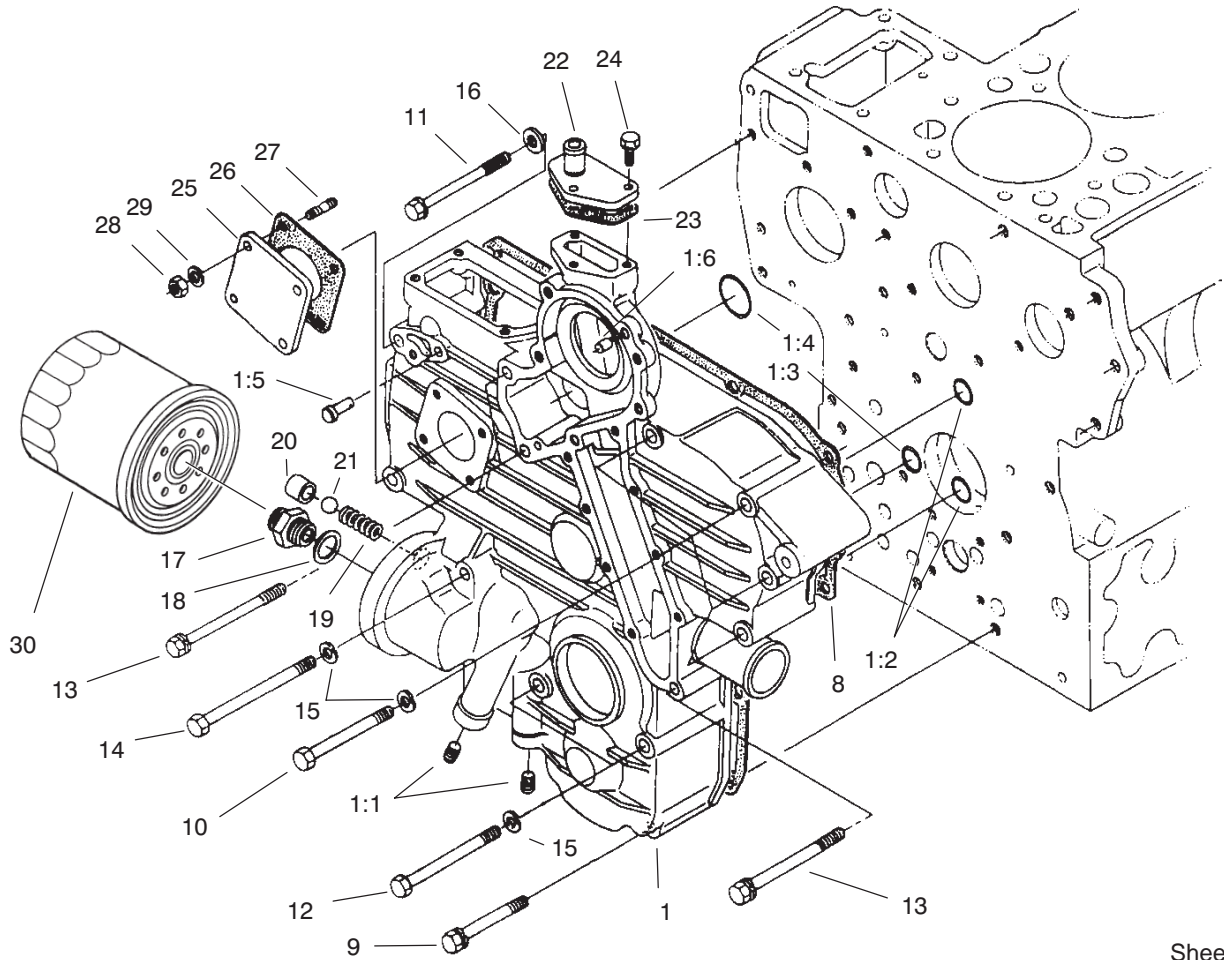
| Ref. No. | Part No. | Qty. | Description |
|----------|----------|------|-------------|
|----------|----------|------|-------------|



Cylinder Head Assembly

| Ref. No. | Part No. | Qty. | Description |
|----------|----------|------|-------------------------|
| 1 | 98-7530 | 1 | Hook-Engine |
| 2 | 98-7531 | 1 | Hook-Engine |
| 3 | 98-7526 | 1 | Bolt |
| 4 | 98-7533 | 1 | Stud |
| 5 | 98-7534 | 1 | Nut |
| 6 | 98-7535 | 1 | Washer-Spring |
| 7 | 98-7536 | 1 | Washer-Plain |
| 8 | 98-7537 | 1 | Head-Cylinder, Complete |
| 8:1 | 98-7538 | 12 | Cap-Sealing |
| 8:2 | 98-7539 | 1 | Cap-Sealing |
| 8:3 | 98-7540 | 2 | Cap-Sealing |
| 8:4 | 98-7541 | 4 | Plug |
| 8:5 | 98-7542 | 4 | Guide-Valve, Exhaust |
| 15 | 98-7543 | 18 | Bolt-Head, Cylinder |
| 16 | 98-7544 | 1 | Gasket-Head, Cylinder |
| 17 | 98-7509 | 1 | O-Ring |

| Ref. No. | Part No. | Qty. | Description |
|----------|----------|------|-------------|
| | | | |
| | | | |
| | | | |
| | | | |
| | | | |
| | | | |
| | | | |
| | | | |
| | | | |
| | | | |

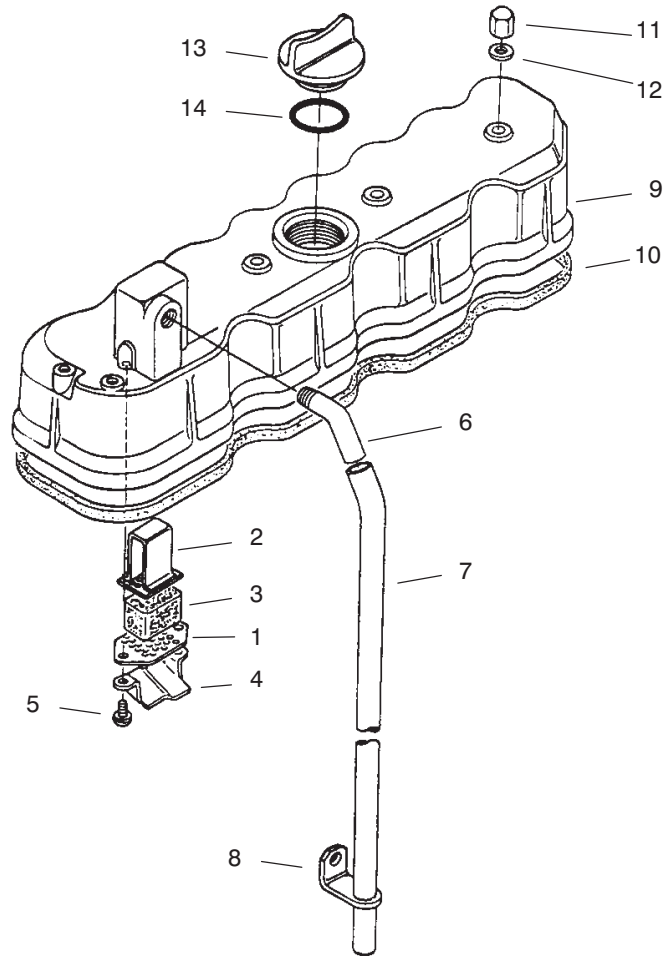


Sheet No.:65

Gear Case Assembly

| Ref. No. | Part No. | Qty. | Description |
|----------|----------|------|----------------------|
| 1 | 98-7545 | 1 | Gear Case Assembly |
| 1:1 | 98-7546 | 2 | Plug |
| 1:2 | 98-7547 | 2 | O-Ring |
| 1:3 | 98-7548 | 1 | O-Ring |
| 1:4 | 98-7549 | 1 | O-Ring |
| 1:5 | 98-7550 | 1 | Pin-Spring, Start |
| 1:6 | 98-7504 | 2 | Pin-Straight |
| 8 | 98-7552 | 1 | Packing-Case, Gear |
| 9 | 98-7553 | 2 | Bolt |
| 10 | 98-7554 | 5 | Bolt |
| 11 | 98-7555 | 1 | Bolt |
| 12 | 98-7556 | 2 | Bolt |
| 13 | 98-7557 | 3 | Bolt |
| 14 | 98-7558 | 2 | Bolt |
| 15 | 98-7535 | 9 | Washer-Spring |
| 16 | 98-7536 | 1 | Washer-Plain |
| 17 | 98-7561 | 1 | Joint-Pipe |
| 18 | 98-7562 | 1 | Washer-Plain |
| 19 | 98-7563 | 1 | Spring |
| 20 | 98-7564 | 1 | Seat-Valve |
| 21 | 98-7565 | 1 | Ball |
| 22 | 98-7566 | 1 | Flange-Return, Water |
| 23 | 98-7567 | 1 | Gasket |
| 24 | 98-7568 | 1 | Bolt |
| 25 | 98-7569 | 1 | Cover |
| 26 | 98-7570 | 1 | Gasket-Unit, H/Meter |

| Ref. No. | Part No. | Qty. | Description |
|----------|----------|------|-----------------------|
| 27 | 98-7571 | 4 | Stud |
| 28 | 98-7572 | 4 | Nut |
| 29 | 98-7515 | 4 | Washer-Spring |
| 30 | 98-7431 | 1 | Cartridge-Filter, Oil |

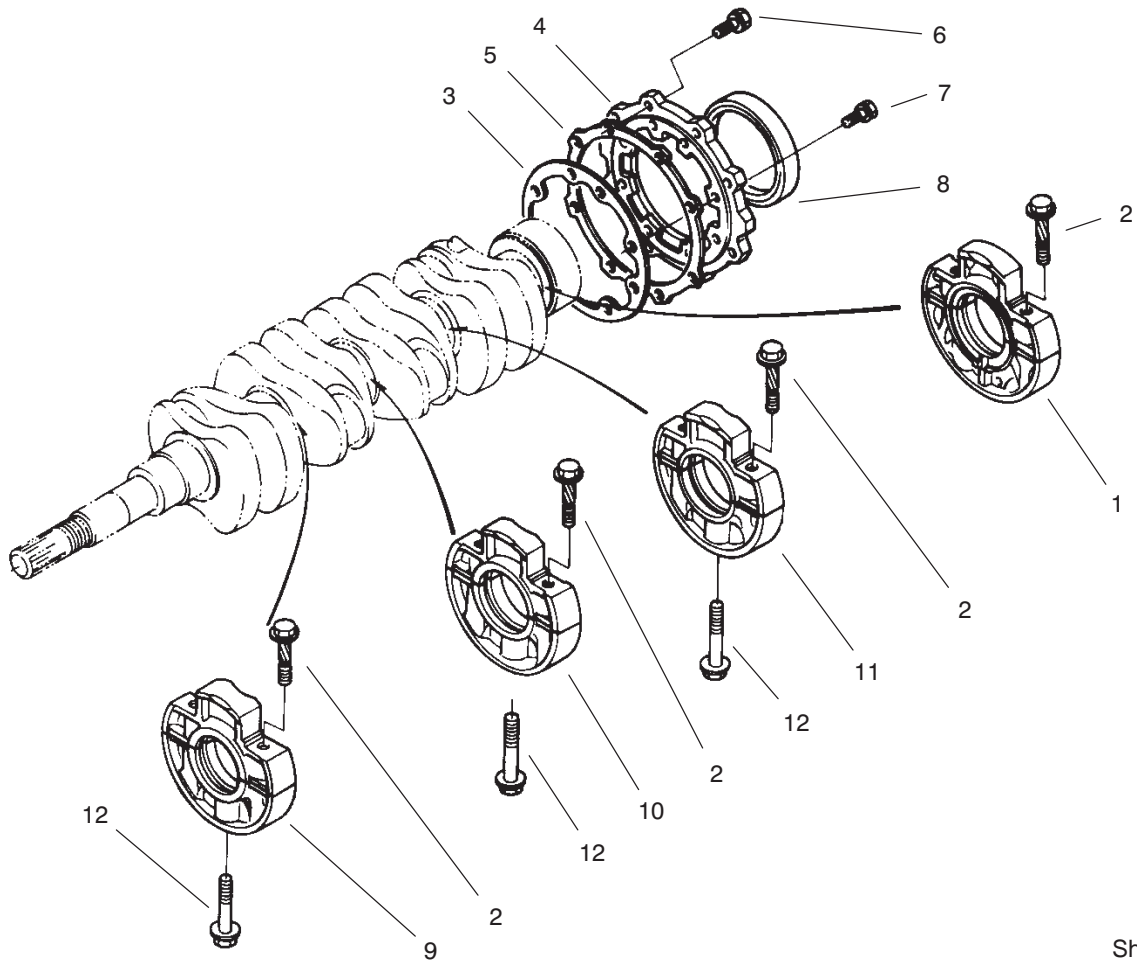


Sheet No.:66

Valve Cover Assembly

| Ref. No. | Part No. | Qty. | Description |
|----------|----------|------|----------------------|
| 1 | 98-7417 | 1 | Plate-Element |
| 2 | 98-7418 | 1 | Plate-Element |
| 3 | 98-7419 | 1 | Element-Breather |
| 4 | 98-7420 | 1 | Shield-Breather, Oil |
| 5 | 98-7421 | 2 | Screw-W/Washer |
| 6 | 98-7422 | 1 | Joint-Pipe, Breather |
| 7 | 98-7423 | 1 | Pipe-Breather |
| 8 | 98-7424 | 1 | Clamp-Pipe |
| 9 | 98-7425 | 1 | Cover-Head, Cylinder |
| 10 | 98-7426 | 1 | Gasket-Cover, Head |
| 11 | 98-7427 | 4 | Nut-Cap |
| 12 | 98-7428 | 4 | Gasket |
| 13 | 98-7429 | 1 | Plug-Filter, Oil |
| 14 | 98-7430 | 1 | O-Ring |

| Ref. No. | Part No. | Qty. | Description |
|----------|----------|------|-------------|
| | | | |
| | | | |
| | | | |
| | | | |
| | | | |
| | | | |
| | | | |
| | | | |
| | | | |
| | | | |

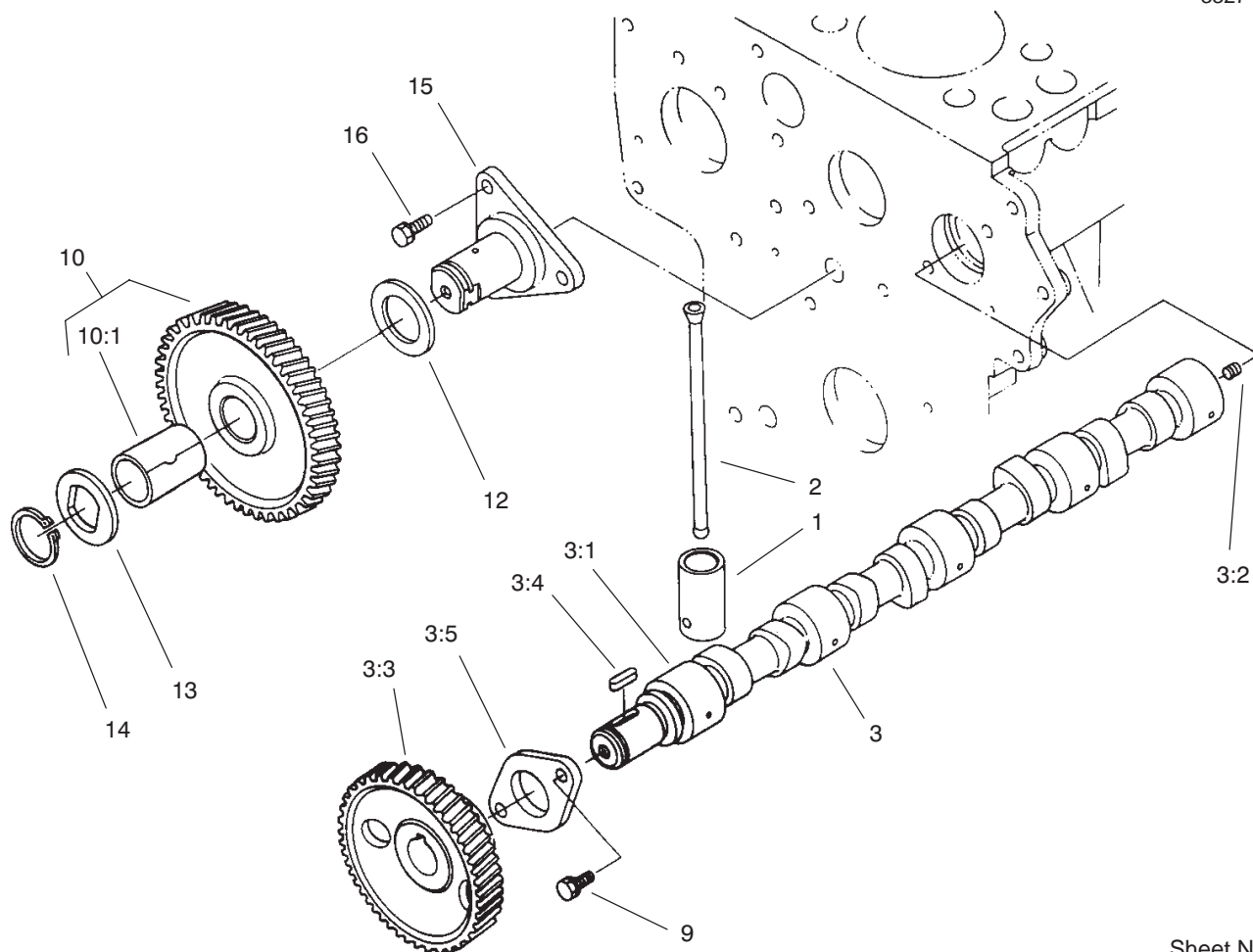


Sheet No.:67

Main Bearing Case Assembly

| Ref. No. | Part No. | Qty. | Description |
|----------|----------|------|----------------------------|
| 1 | 98-7433 | 1 | Main Bearing Case ASM |
| 2 | 98-7434 | 8 | Bolt-Case, Bearing |
| 3 | 98-7435 | 1 | Gasket-Case, Bearing |
| 4 | 98-7436 | 1 | Cover-Case, Bearing |
| 5 | 98-7437 | 1 | Gasket-Case Cover, Bearing |
| 6 | 98-7438 | 8 | Bolt |
| 7 | 98-7439 | 8 | Bolt |
| 8 | 98-7440 | 1 | Seal-Oil |
| 9 | 98-7441 | 1 | Main Bearing Case ASM |
| 10 | 98-7442 | 1 | Main Bearing Case ASM |
| 11 | 98-7443 | 1 | Main Bearing Case ASM |
| 12 | 98-7444 | 3 | Bolt-Case, Bearing |

| Ref. No. | Part No. | Qty. | Description |
|----------|----------|------|-------------|
| | | | |
| | | | |
| | | | |
| | | | |
| | | | |
| | | | |
| | | | |
| | | | |
| | | | |
| | | | |

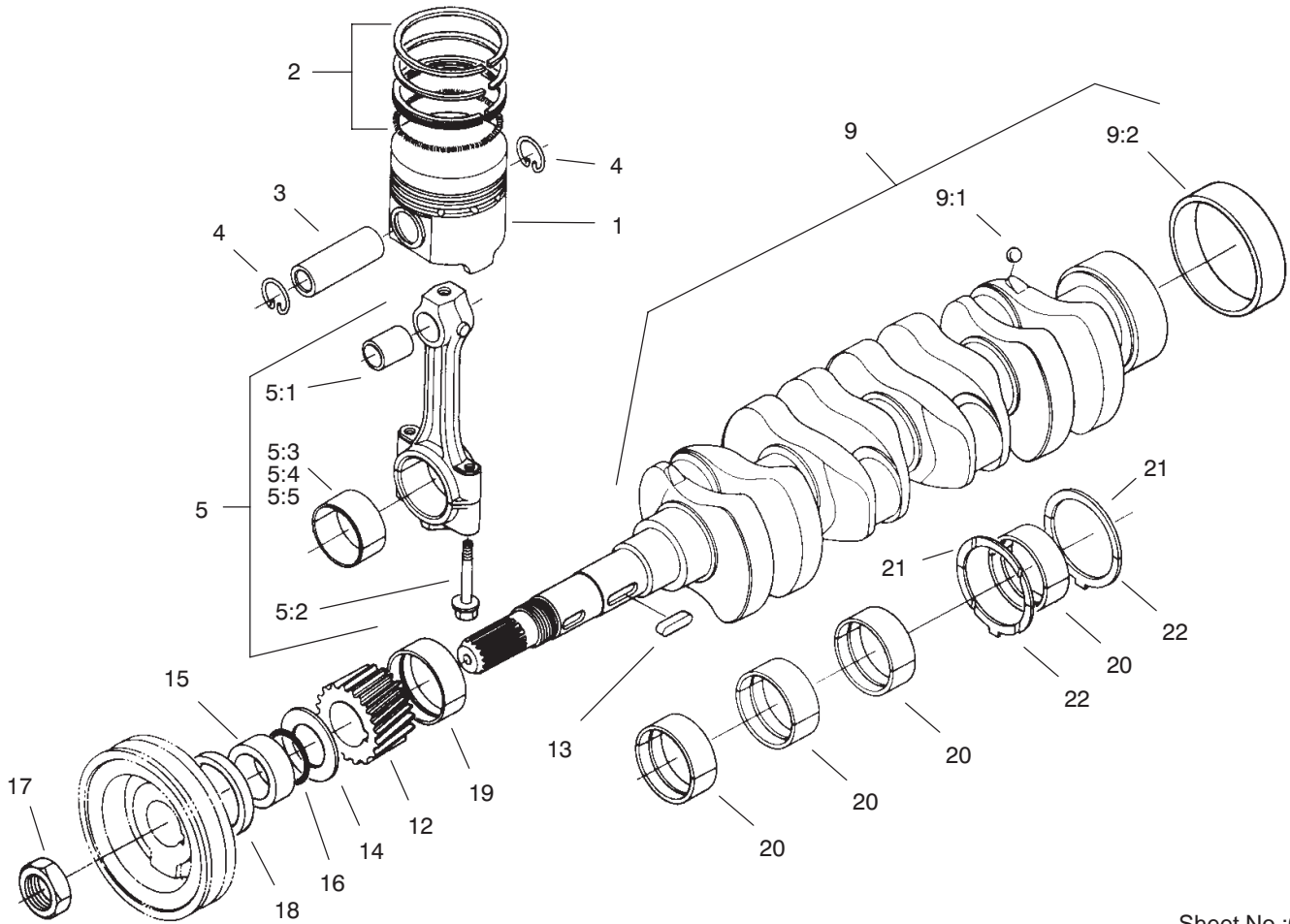


Sheet No.:68

Camshaft Assembly

| Ref. No. | Part No. | Qty. | Description |
|----------|----------|------|----------------------|
| 1 | 98-7445 | 8 | Tappet |
| 2 | 98-7446 | 8 | Rod-Push |
| 3 | 98-7447 | 1 | Camshaft ASM |
| 3:1 | 98-7448 | 1 | Camshaft |
| 3:2 | 98-7449 | 1 | Screw-Set |
| 3:3 | 98-7450 | 1 | Gear-Camshaft |
| 3:4 | 98-7451 | 1 | Key-Feather |
| 3:5 | 98-7452 | 1 | Stopper-Camshaft |
| 9 | 98-7453 | 2 | Bolt |
| 10 | 98-7454 | 1 | Gear-Idler, Complete |
| 10:1 | 98-7455 | 1 | Bushing-Gear, Idler |
| 12 | 98-7456 | 1 | Collar |
| 13 | 98-7457 | 1 | Collar |
| 14 | 98-7458 | 1 | Clip-Cir., External |
| 15 | 98-7459 | 1 | Shaft-Gear, Idler |
| 16 | 98-7453 | 3 | Bolt |

| Ref. No. | Part No. | Qty. | Description |
|----------|----------|------|-------------|
| | | | |
| | | | |
| | | | |
| | | | |
| | | | |
| | | | |
| | | | |
| | | | |
| | | | |
| | | | |

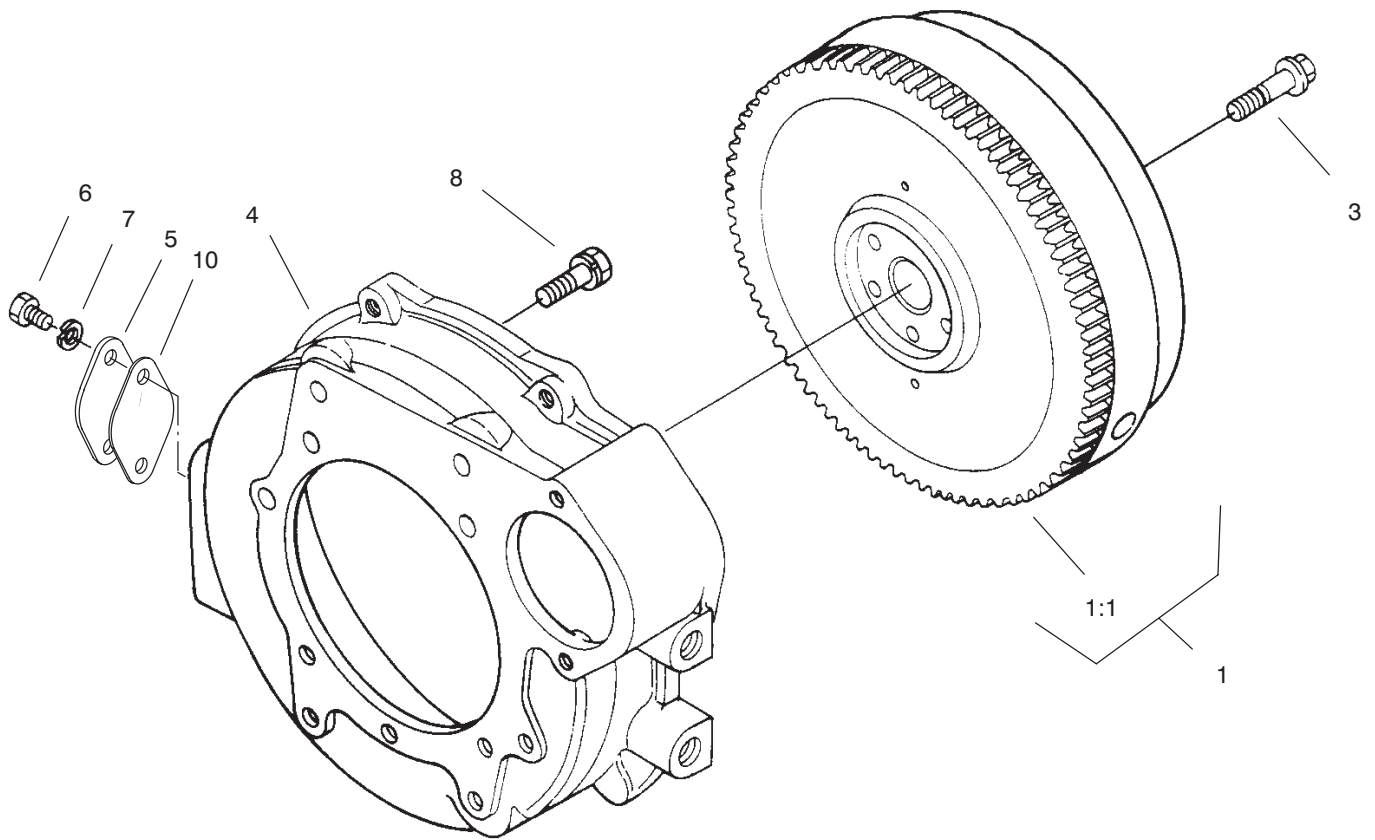


Sheet No.:69

Piston and Crankshaft Assembly

| Ref. No. | Part No. | Qty. | Description |
|----------|----------|------|--------------------------|
| 1 | 98-7460 | 4 | Piston |
| 1 | 98-7461 | 4 | Piston |
| 2 | 98-7463 | 4 | Piston Ring ASM |
| 2 | 98-7462 | 4 | Piston Ring ASM |
| 3 | 98-7464 | 4 | Pin-Piston |
| 4 | 98-7465 | 8 | Clip-Pin, Piston |
| 5 | 98-7466 | 4 | Connecting Rod ASM |
| 5:1 | 98-7467 | 4 | Bushing-Pin, Piston |
| 5:2 | 98-7468 | 8 | Bolt-Rod, Connecting |
| 5:3 | 98-7469 | 4 | Metal-Crankpin (STD) |
| 5:4 | 98-7470 | 4 | Metal-Crankpin (-0.20mm) |
| 5:5 | 98-7471 | 4 | Metal-Crankpin (-0.40mm) |
| 9 | 98-7472 | 1 | Crankshaft-Complete |
| 9:1 | 98-7473 | 4 | Ball |
| 9:2 | 98-7474 | 1 | Sleeve-Crankshaft |
| 12 | 98-7475 | 1 | Gear-Crankshaft |
| 13 | 98-7451 | 1 | Key-Feather |
| 14 | 98-7476 | 1 | Slinger-Oil |
| 15 | 98-7477 | 1 | Collar-Crankshaft |
| 16 | 98-7478 | 1 | O-Ring |
| 17 | 98-7479 | 1 | Nut-Crankshaft |
| 18 | 98-7480 | 1 | Seal-Oil |
| 19 | 98-7481 | 1 | Metal-Crankshaft (STD) |

| Ref. No. | Part No. | Qty. | Description |
|----------|----------|------|----------------------------|
| 19 | 98-7482 | 1 | Metal-Crankshaft (-0.20mm) |
| 19 | 98-7483 | 1 | Metal-Crankshaft (-0.40mm) |
| 20 | 98-7484 | 1 | Metal-Crankshaft (STD) |
| 20 | 99-6862 | 1 | Metal-Crankshaft (-0.20mm) |
| 20 | 99-6863 | 1 | Metal-Crankshaft (-0.40mm) |
| 21 | 99-6864 | 2 | Metal-Side (STD) |
| 21 | 99-6865 | 2 | Metal-Side, O/S (0.2mm) |
| 21 | 99-6866 | 2 | Metal-Side, O/S (0.4mm) |
| 22 | 99-6869 | 2 | Metal-Side, O/S (0.4mm) |
| 22 | 99-6868 | 2 | Metal-Side, O/S (0.2mm) |
| 22 | 99-6867 | 2 | Metal-Side (STD) |

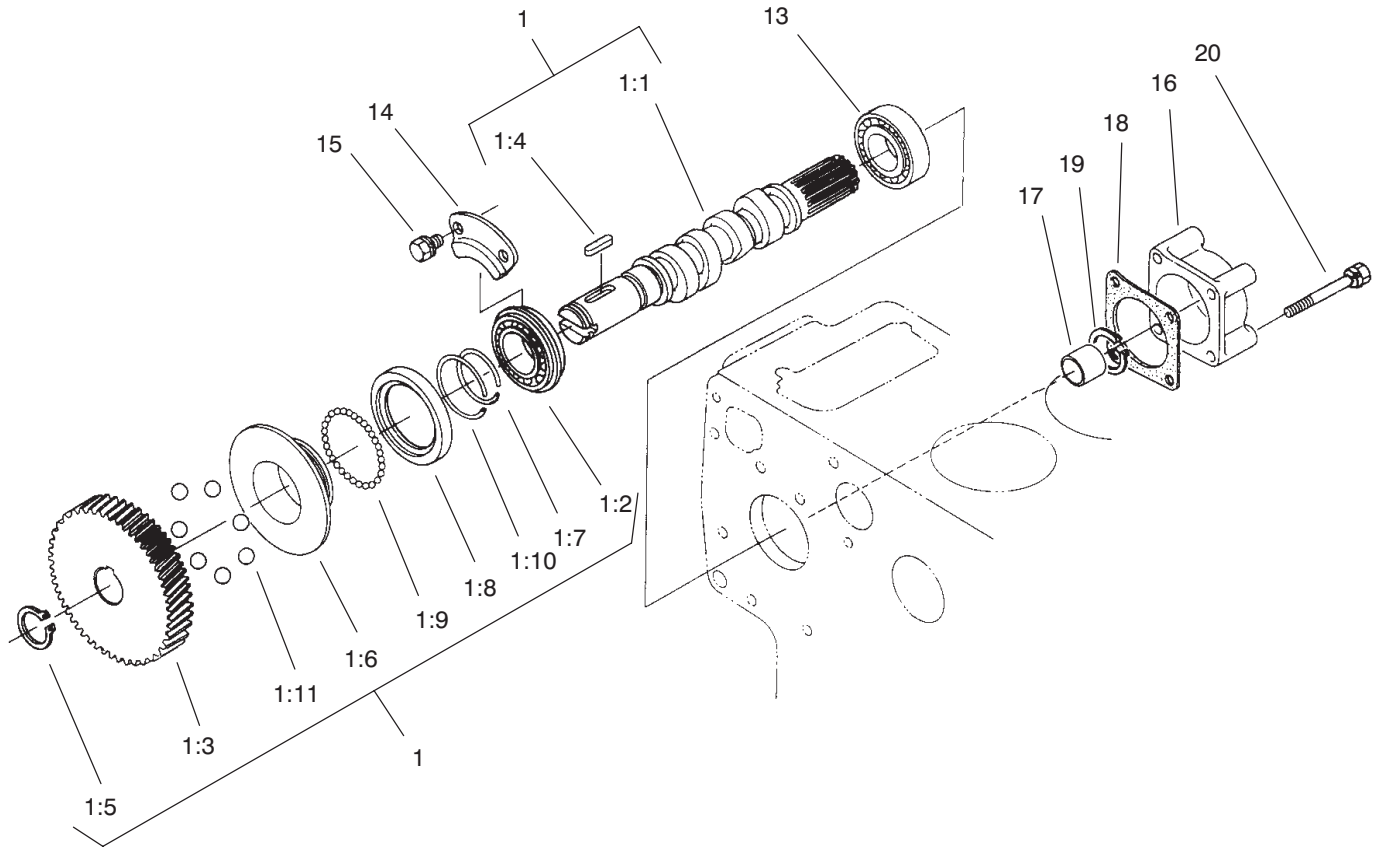


Sheet No.:70

Flywheel Assembly

| Ref. No. | Part No. | Qty. | Description |
|----------|----------|------|------------------|
| 1 | 98-7532 | 1 | Flywheel |
| 1:1 | 98-7560 | 1 | Gear-Ring |
| 3 | 98-7573 | 6 | Bolt-Flywheel |
| 4 | 98-7559 | 1 | Housing-Flywheel |
| 5 | 98-7883 | 1 | Cover |
| 6 | 98-7884 | 2 | Bolt |
| 7 | 98-7535 | 2 | Washer-Spring |
| 8 | 98-7885 | 11 | Bolt |
| 10 | 98-7886 | 1 | Gasket |

| Ref. No. | Part No. | Qty. | Description |
|----------|----------|------|-------------|
| | | | |
| | | | |
| | | | |
| | | | |
| | | | |
| | | | |
| | | | |
| | | | |
| | | | |
| | | | |

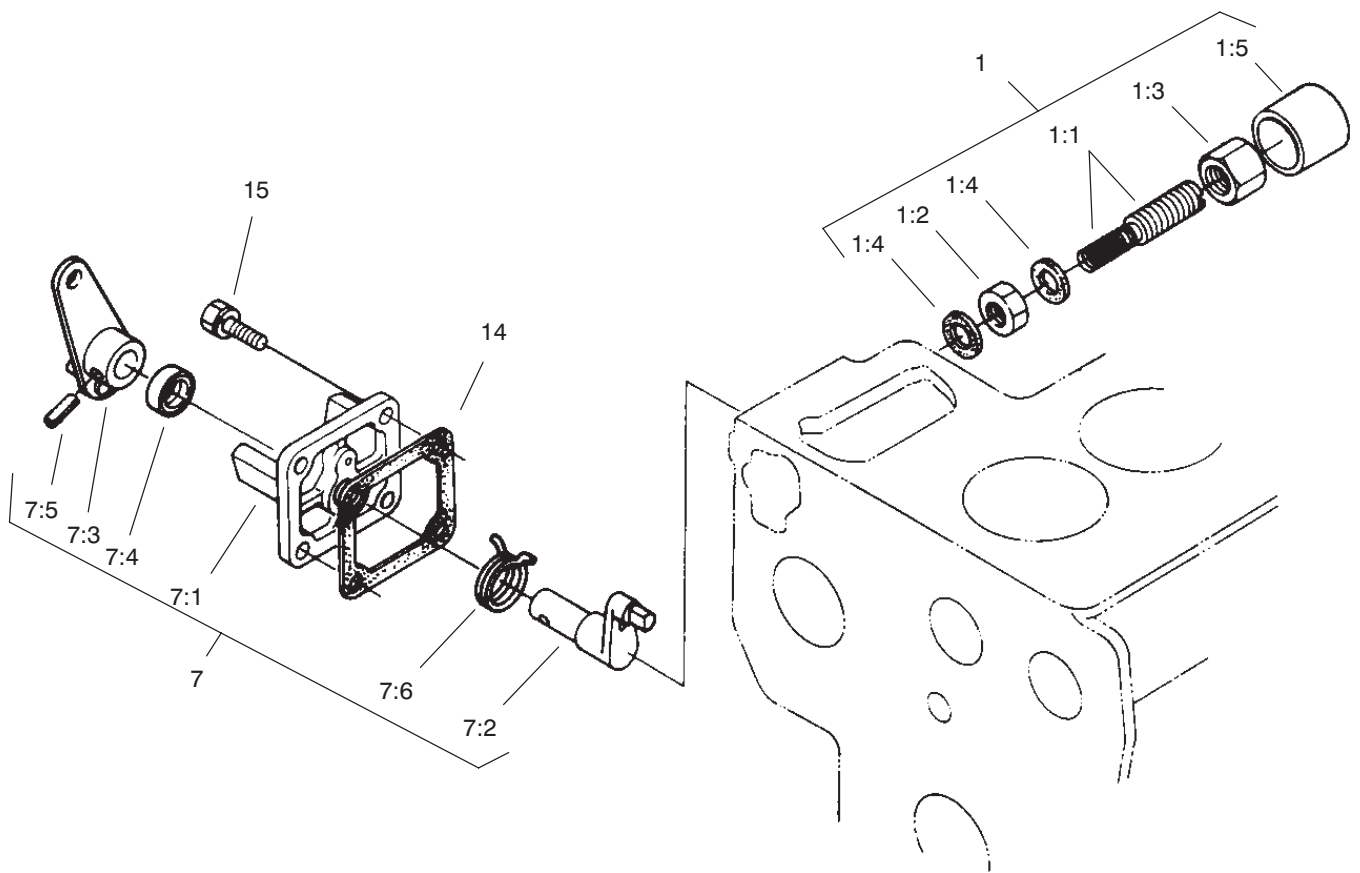


Sheet No.:71

Fuel Camshaft Assembly

| Ref. No. | Part No. | Qty. | Description |
|----------|----------|------|----------------------------|
| 1 | 98-7551 | 1 | Fuel Camshaft ASM |
| 1:1 | 98-7508 | 1 | Camshaft-Fuel |
| 1:2 | 98-7595 | 1 | Bearing-Ball |
| 1:3 | 98-7574 | 1 | Gear-Pump, Injection |
| 1:4 | 98-7575 | 1 | Key-Feather |
| 1:5 | 98-7576 | 1 | Clip-Cir, External |
| 1:6 | 98-7577 | 1 | Sleeve-Governor |
| 1:7 | 98-7578 | 1 | Clip-Cir., Governor Sleeve |
| 1:8 | 98-7579 | 1 | Case-Ball, Governor |
| 1:9 | 98-7580 | 39 | Ball |
| 1:10 | 98-7581 | 1 | Clip-Cir. |
| 1:11 | 98-7582 | 7 | Ball |
| 13 | 98-7583 | 1 | Bearing-Ball |
| 14 | 98-7584 | 1 | Stopper |
| 15 | 98-7585 | 2 | Bolt |
| 16 | 98-7586 | 1 | Cover-Fuel, Camshaft |
| 17 | 98-7587 | 1 | Collar |
| 18 | 98-7588 | 1 | Gasket |
| 19 | 98-7589 | 1 | Clip-Cir., External |
| 20 | 98-7590 | 4 | Bolt |

| Ref. No. | Part No. | Qty. | Description |
|----------|----------|------|-------------|
| | | | |
| | | | |
| | | | |
| | | | |
| | | | |



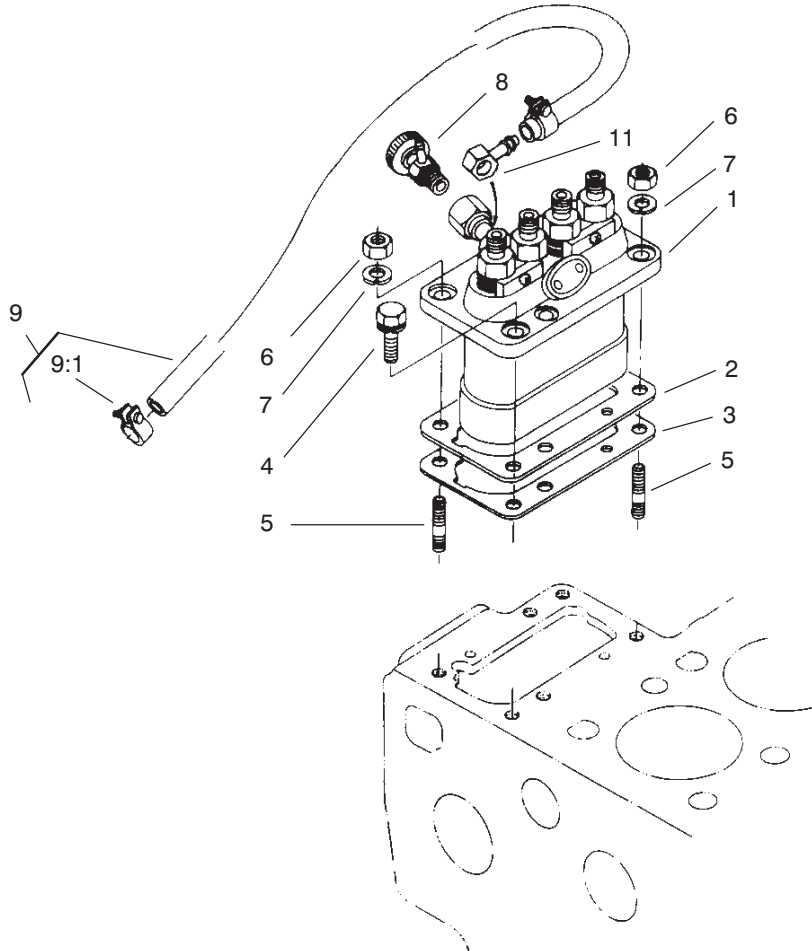
Sheet No.:72

Engine Stop Lever Assembly

| Ref. No. | Part No. | Qty. | Description |
|----------|----------|------|-----------------------|
| 1 | 98-7591 | 1 | I/D Appartus ASM |
| 1:1 | 98-7592 | 1 | Adjusting Bolt ASM |
| 1:2 | 98-7593 | 1 | Nut |
| 1:3 | 98-7594 | 1 | Nut-Cap |
| 1:4 | 98-7428 | 2 | Gasket |
| 1:5 | 98-7596 | 1 | Cap |
| 7 | 98-7597 | 1 | Engine Stop Lever ASM |
| 7:1 | 98-7598 | 1 | Cover-Pump, Injection |
| 7:2 | 98-7599 | 1 | Shaft-Lever |
| ☆7:3 | | 1 | Lever-Stop, Engine |
| 7:4 | 98-7601 | 1 | Seal-Oil |
| 7:5 | 98-7602 | 1 | Pin-Spring |
| 7:6 | 98-7603 | 1 | Spring-Return |
| 14 | 98-7604 | 1 | Gasket-Cover, Pump |
| 15 | 98-7605 | 4 | Bolt |

| Ref. No. | Part No. | Qty. | Description |
|----------|----------|------|-------------|
| | | | |
| | | | |
| | | | |
| | | | |
| | | | |
| | | | |
| | | | |
| | | | |
| | | | |
| | | | |

☆ Not serviced separately

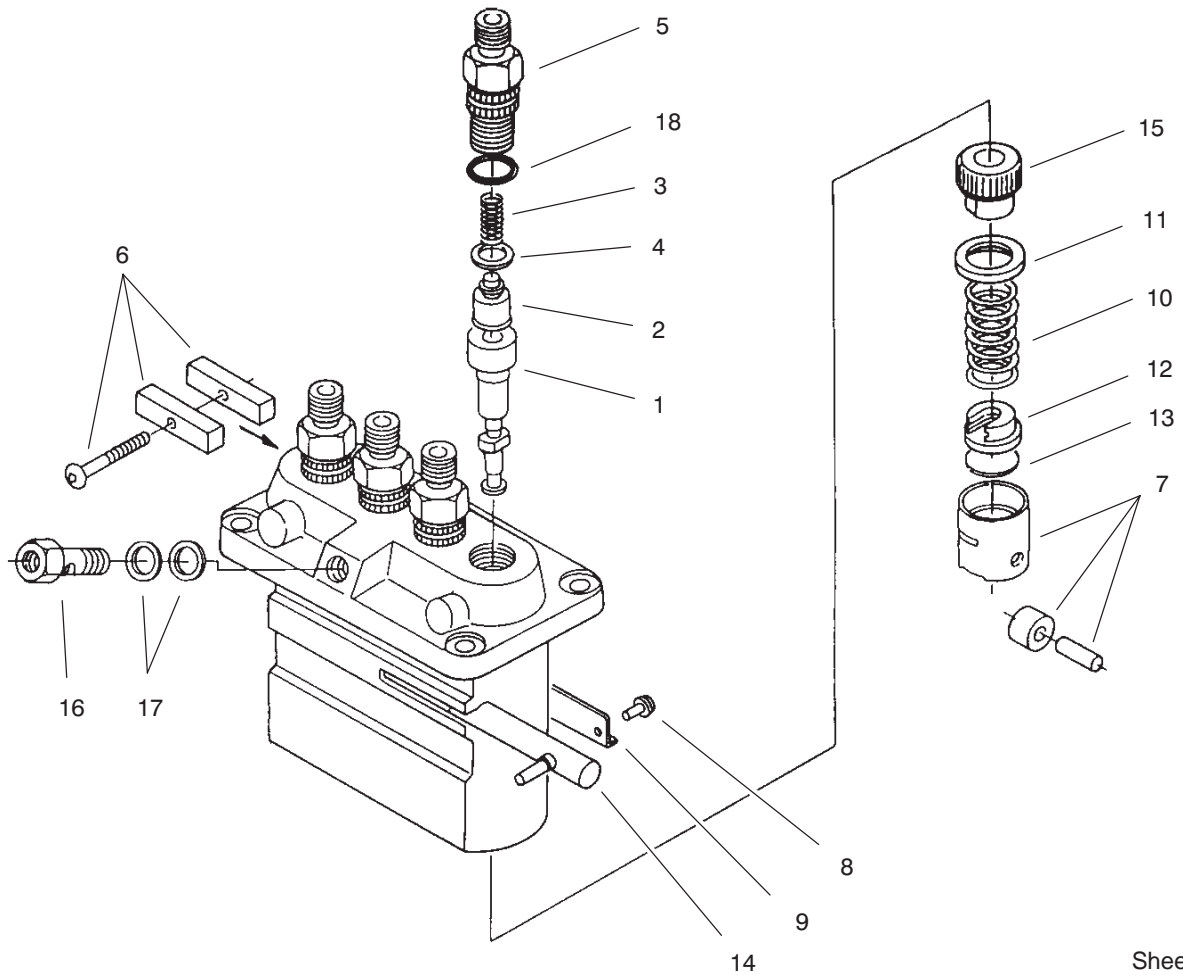


Sheet No.:73

Injection Pump Assembly

| Ref. No. | Part No. | Qty. | Description |
|----------|----------|------|----------------------|
| 1 | 98-7606 | 1 | Injection Pump ASM |
| 2 | 98-7608 | 1 | Shim |
| 2 | 98-7607 | 1 | Shim |
| 3 | 98-7609 | 1 | Shim-Pump, Injection |
| 4 | 98-7610 | 4 | Bolt |
| 5 | 98-7533 | 2 | Stud |
| 6 | 98-7534 | 2 | Nut |
| 7 | 98-7535 | 2 | Washer-Spring |
| 8 | 98-7614 | 1 | Jet Start Cock ASM |
| 9 | 98-7615 | 1 | Fuel Pipe ASM |
| 9:1 | 98-7616 | 2 | Clip-Pipe |
| 11 | 98-7617 | 1 | Joint |

| Ref. No. | Part No. | Qty. | Description |
|----------|----------|------|-------------|
| | | | |
| | | | |
| | | | |
| | | | |

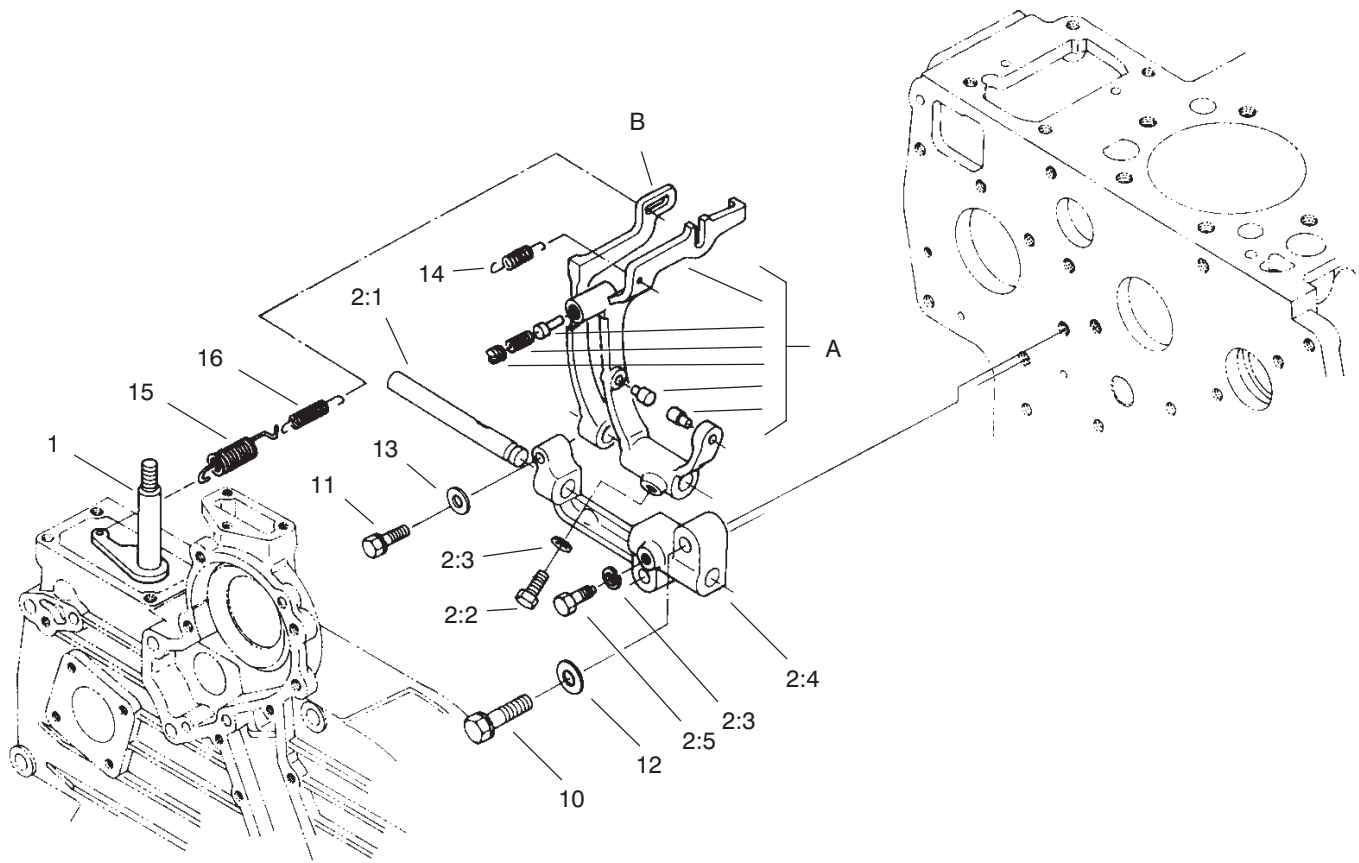


Sheet No.:A1

Injection Pump Assembly No. 98-7606

| Ref. No. | Part No. | Qty. | Description |
|----------|----------|------|------------------------|
| 1 | 98-7619 | 4 | Plunger-Pump |
| 2 | 98-7620 | 4 | Valve-Delivery |
| 3 | 98-7621 | 4 | Spring-Valve, Delivery |
| 4 | 98-7622 | 4 | Gasket-Valve, Delivery |
| 5 | 98-7623 | 4 | Holder-Valve, Delivery |
| 6 | 98-7624 | 2 | Lock Plate ASM |
| 7 | 98-7625 | 4 | Tappet ASM |
| 8 | 98-7626 | 4 | Pin-Guide, Tappet |
| 9 | 98-7627 | 2 | Plate |
| 10 | 98-7628 | 4 | Spring-Plunger |
| 11 | 98-7629 | 4 | Seat-Spring, Upper |
| 12 | 98-7630 | 4 | Seat-Spring, Lower |
| 13 | 98-7631 | 4 | Shim |
| 14 | 98-7632 | 1 | Rack-Control |
| 15 | 98-7634 | 4 | Sleeve-Control |
| 16 | 98-7635 | 1 | Screw |
| 17 | 98-7636 | 2 | Gasket |
| 18 | 98-7637 | 4 | O-Ring |

| Ref. No. | Part No. | Qty. | Description |
|----------|----------|------|-------------|
| | | | |
| | | | |
| | | | |
| | | | |
| | | | |
| | | | |
| | | | |
| | | | |
| | | | |
| | | | |
| | | | |
| | | | |
| | | | |
| | | | |
| | | | |

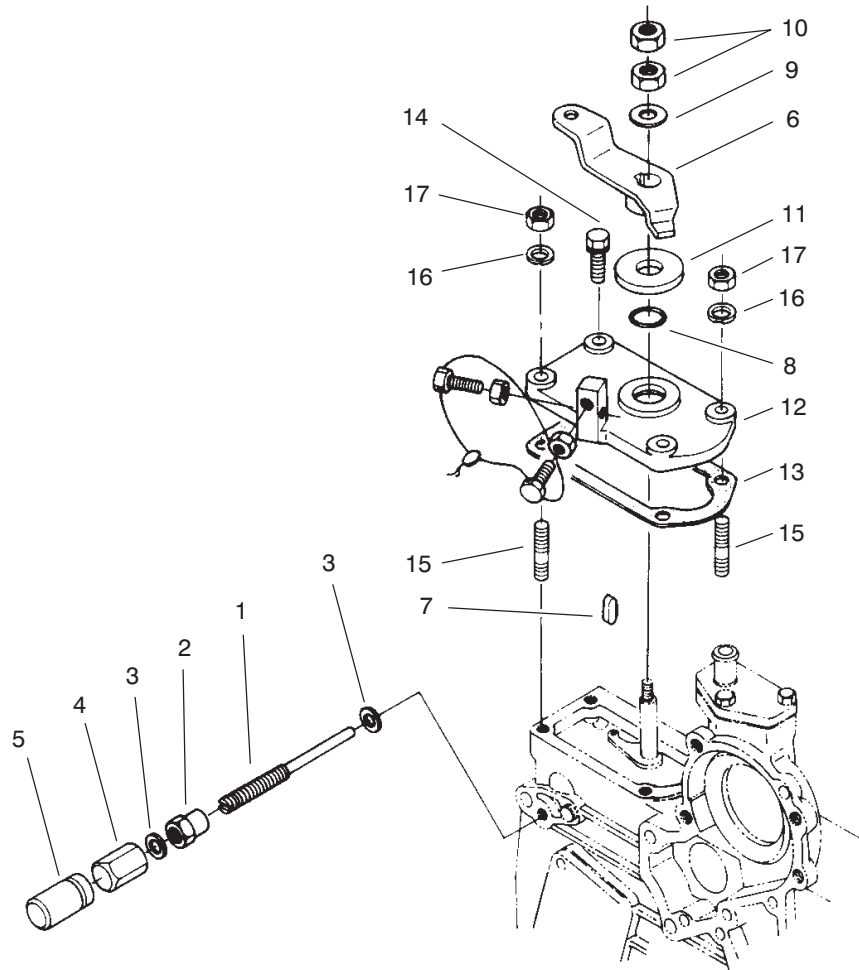


Sheet No.:75

Governor Assembly

| Ref. No. | Part No. | Qty. | Description |
|----------|----------|------|--------------------|
| 1 | 98-7638 | 1 | Lever-Governor |
| 2 | 98-7639 | 1 | Fork Lever ASM |
| 2:1 | 98-7640 | 1 | Shaft-Lever, Fork |
| 2:2 | 98-7641 | 1 | Bolt-Shaft, Lever |
| 2:3 | 98-7515 | 2 | Washer-Spring |
| 2:4 | 98-7643 | 1 | Holder-Lever, Fork |
| 2:5 | 98-7644 | 1 | Bolt |
| 10 | 98-7645 | 2 | Bolt |
| 11 | 98-7646 | 1 | Bolt |
| 12 | 98-7536 | 2 | Washer-Plain |
| 13 | 98-7648 | 1 | Washer-Plain |
| 14 | 98-7649 | 1 | Spring-Start |
| 15 | 98-7650 | 1 | Spring-Governor |
| 16 | 98-7651 | 1 | Spring-Governor |

| Ref. No. | Part No. | Qty. | Description |
|----------|----------|------|-------------|
| | | | |
| | | | |
| | | | |
| | | | |
| | | | |
| | | | |
| | | | |
| | | | |
| | | | |

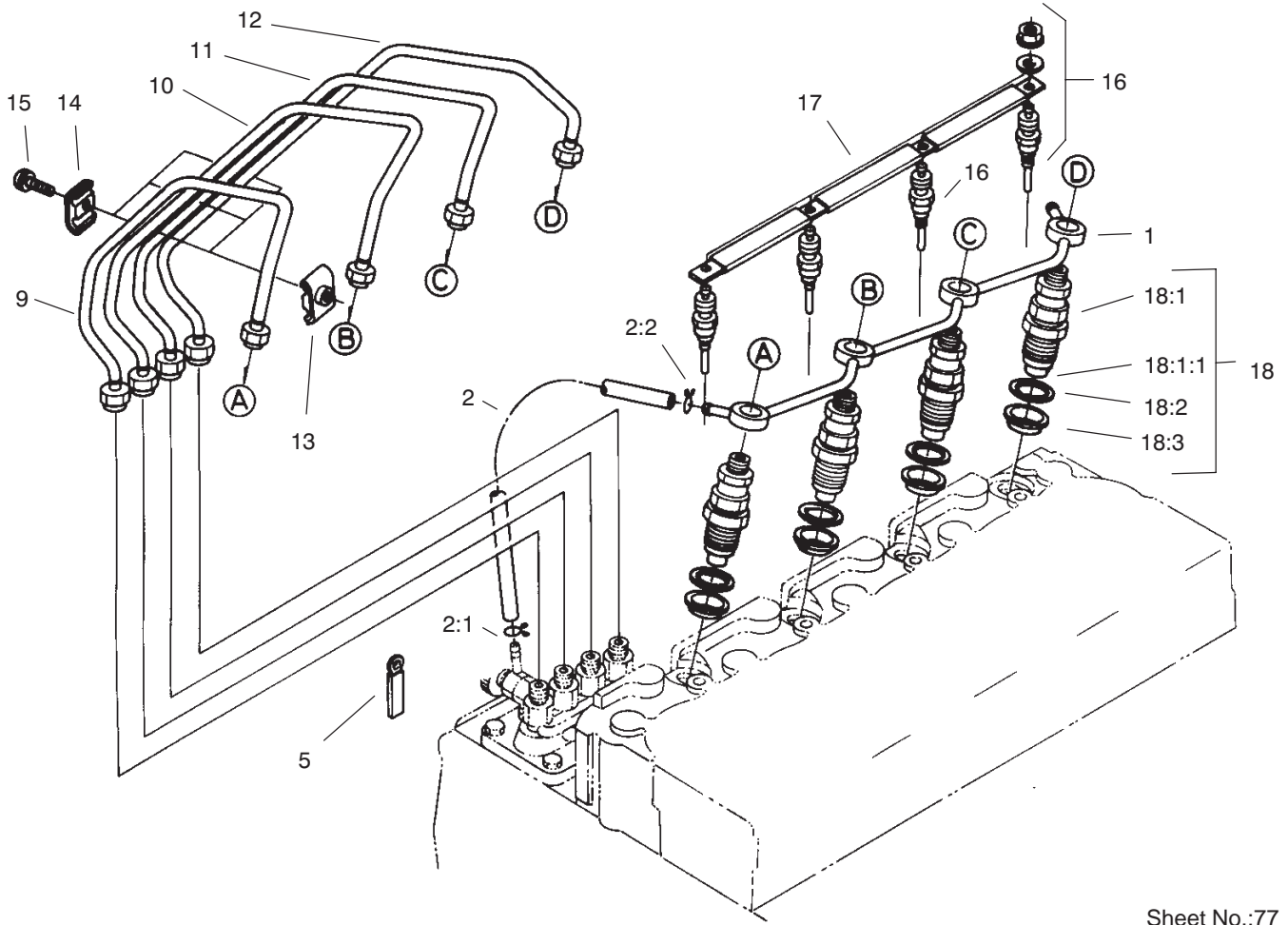


Sheet No.:76

Speed Control Plate Assembly

| Ref. No. | Part No. | Qty. | Description |
|----------|----------|------|----------------------|
| 1 | 98-7652 | 1 | Bolt-Adjusting |
| 2 | 98-7653 | 1 | Nut |
| 3 | 98-7654 | 2 | Gasket |
| 4 | 98-7655 | 1 | Nut-Cap |
| 5 | 98-7656 | 1 | Cap |
| 6 | 98-7657 | 1 | Lever-Control, Speed |
| 7 | 98-7658 | 1 | Key-Feather |
| 8 | 98-7659 | 1 | O-Ring |
| 9 | 98-7660 | 1 | Washer-Plain |
| 10 | 98-7661 | 2 | Nut |
| 11 | 98-7662 | 1 | Collar |
| 12 | 98-7663 | 1 | Plate-Control, Speed |
| 13 | 98-7664 | 1 | Gasket |
| 14 | 98-7568 | 2 | Bolt |
| 15 | 98-7571 | 2 | Stud |
| 16 | 98-7515 | 2 | Washer-Spring |
| 17 | 98-7572 | 2 | Nut |

| Ref. No. | Part No. | Qty. | Description |
|----------|----------|------|-------------|
| | | | |
| | | | |
| | | | |
| | | | |

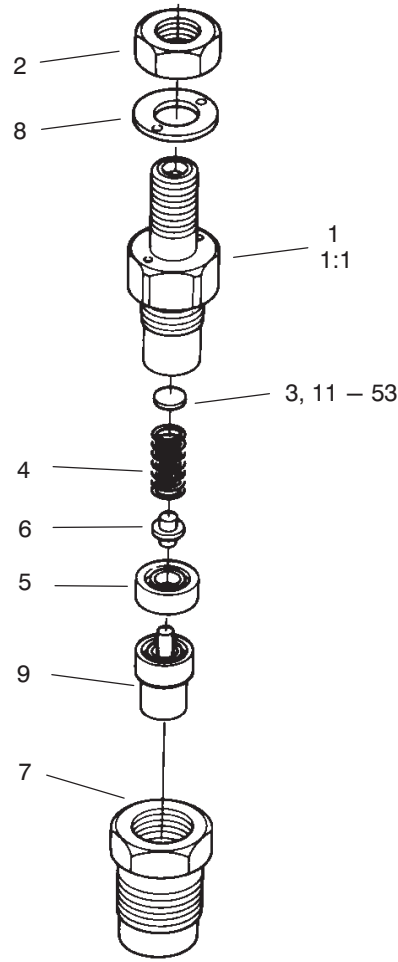


Sheet No.:77

Nozzle Holder and Glow Plug Assembly

| Ref. No. | Part No. | Qty. | Description |
|----------|----------|------|--------------------|
| 1 | 98-7669 | 1 | Over Flow Pipe ASM |
| 2 | 98-7670 | 1 | Overflow Pipe ASM |
| 2:1 | 98-7671 | 1 | Clip-Pipe |
| 2:2 | 98-7672 | 1 | Clip-Pipe |
| 5 | 98-7673 | 1 | Clamp-Cord |
| 9 | 98-7678 | 1 | Pipe-Injection |
| 10 | 98-7679 | 1 | Pipe-Injection |
| 11 | 98-7680 | 1 | Pipe-Injection |
| 12 | 98-7681 | 1 | Pipe-Injection |
| 13 | 98-7682 | 3 | Clamp-Pipe |
| 14 | 98-7683 | 3 | Clamp-Pipe |
| 15 | 98-7684 | 3 | Screw W/Washer |
| 16 | 98-7685 | 4 | Plug-Glow |
| 17 | 98-7686 | 1 | Cord-Plug, Glow |
| 18 | 98-7687 | 4 | Nozzle Holder Kit |
| 18:1 | 98-7674 | 4 | Nozzle Holder ASM |
| 18:1:1 | 98-7675 | 1 | Piece-Nozzle |
| 18:2 | 98-7676 | 4 | Gasket |
| 18:3 | 98-7677 | 4 | Seal |

| Ref. No. | Part No. | Qty. | Description |
|----------|----------|------|-------------|
| | | | |
| | | | |
| | | | |

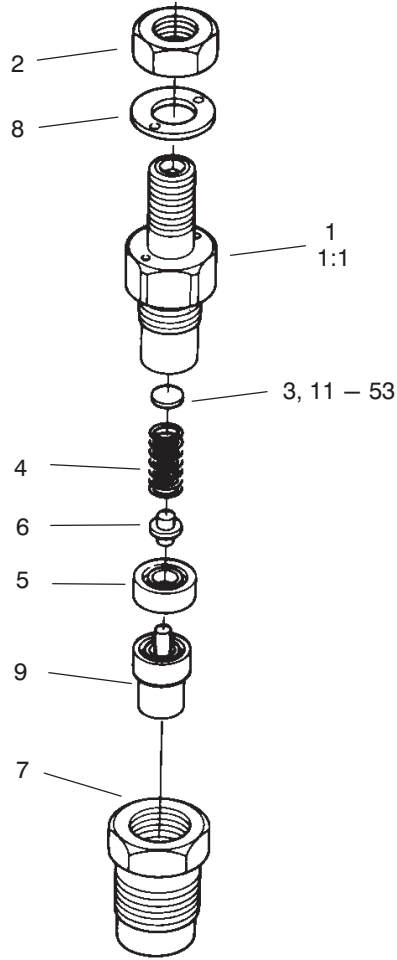


Sheet No.:78

Nozzle Holder Assembly No. 98-7688

| Ref. No. | Part No. | Qty. | Description |
|----------|----------|------|-------------------|
| 1 | 98-7674 | 4 | Nozzle Holder ASM |
| 1:1 | 98-7675 | 1 | Piece-Nozzle |
| 2 | 98-7613 | 4 | Nut |
| 3 | 98-7642 | 4 | Washer-Adjusting |
| 4 | 98-7647 | 4 | Spring-Nozzle |
| 5 | 98-7665 | 4 | Piece-Distant |
| 6 | 98-7666 | 4 | Rod-Push |
| 7 | 98-7667 | 4 | Nut-Nozzle |
| 8 | 98-7668 | 4 | Washer |
| 9 | 98-7700 | 4 | Piece-Nozzle |
| 11 | 98-7642 | 4 | Washer-Adjusting |
| 12 | 98-7841 | 4 | Washer-Adjusting |
| 13 | 98-7842 | 4 | Washer-Adjusting |
| 14 | 98-7843 | 4 | Washer-Adjusting |
| 15 | 98-7844 | 4 | Washer-Adjusting |
| 16 | 98-7845 | 4 | Washer-Adjusting |
| 17 | 98-7846 | 4 | Washer-Adjusting |
| 18 | 98-7847 | 4 | Washer-Adjusting |
| 19 | 98-7848 | 4 | Washer-Adjusting |
| 20 | 98-7849 | 4 | Washer-Adjusting |
| 21 | 98-7850 | 4 | Washer-Adjusting |
| 22 | 98-7851 | 4 | Washer-Adjusting |
| 23 | 98-7852 | 4 | Washer-Adjusting |
| 24 | 98-7853 | 4 | Washer-Adjusting |
| 25 | 98-7854 | 4 | Washer-Adjusting |
| 26 | 98-7855 | 4 | Washer-Adjusting |

| Ref. No. | Part No. | Qty. | Description |
|----------|----------|------|------------------|
| 27 | 98-7856 | 4 | Washer-Adjusting |
| 28 | 98-7857 | 4 | Washer-Adjusting |
| 29 | 98-7858 | 4 | Washer-Adjusting |
| 30 | 98-7859 | 4 | Washer-Adjusting |
| 31 | 98-7860 | 4 | Washer-Adjusting |
| 32 | 98-7861 | 4 | Washer-Adjusting |
| 33 | 98-7862 | 4 | Washer-Adjusting |
| 34 | 98-7863 | 4 | Washer-Adjusting |
| 35 | 98-7864 | 4 | Washer-Adjusting |
| 36 | 98-7865 | 4 | Washer-Adjusting |
| 37 | 98-7866 | 4 | Washer-Adjusting |
| 38 | 98-7867 | 4 | Washer-Adjusting |
| 39 | 98-7868 | 4 | Washer-Adjusting |
| 40 | 98-7869 | 4 | Washer-Adjusting |
| 41 | 98-7870 | 4 | Washer-Adjusting |
| 42 | 98-7871 | 4 | Washer-Adjusting |
| 43 | 98-7872 | 4 | Washer-Adjusting |
| 44 | 98-7873 | 4 | Washer-Adjusting |
| 45 | 98-7874 | 4 | Washer-Adjusting |
| 46 | 98-7875 | 4 | Washer-Adjusting |
| 47 | 98-7876 | 4 | Washer-Adjusting |
| 48 | 98-7877 | 4 | Washer-Adjusting |
| 49 | 98-7878 | 4 | Washer-Adjusting |
| 50 | 98-7879 | 4 | Washer-Adjusting |
| 51 | 98-7880 | 4 | Washer-Adjusting |
| 52 | 98-7881 | 4 | Washer-Adjusting |

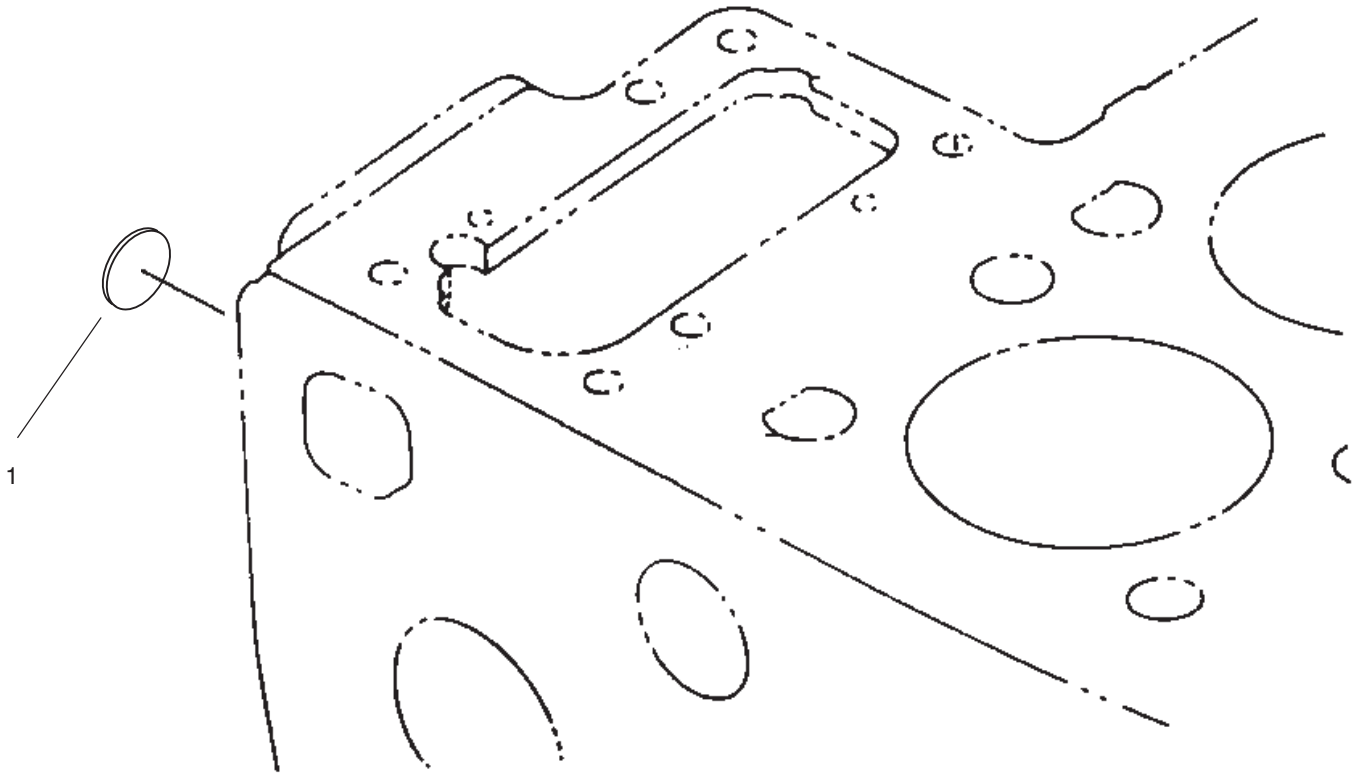


Sheet No.:78

Nozzle Holder Assembly No. 98-7688 (Continued)

| Ref. No. | Part No. | Qty. | Description |
|----------|----------|------|------------------|
| 53 | 98-7882 | 4 | Washer-Adjusting |

| Ref. No. | Part No. | Qty. | Description |
|----------|----------|------|-------------|
| | | | |

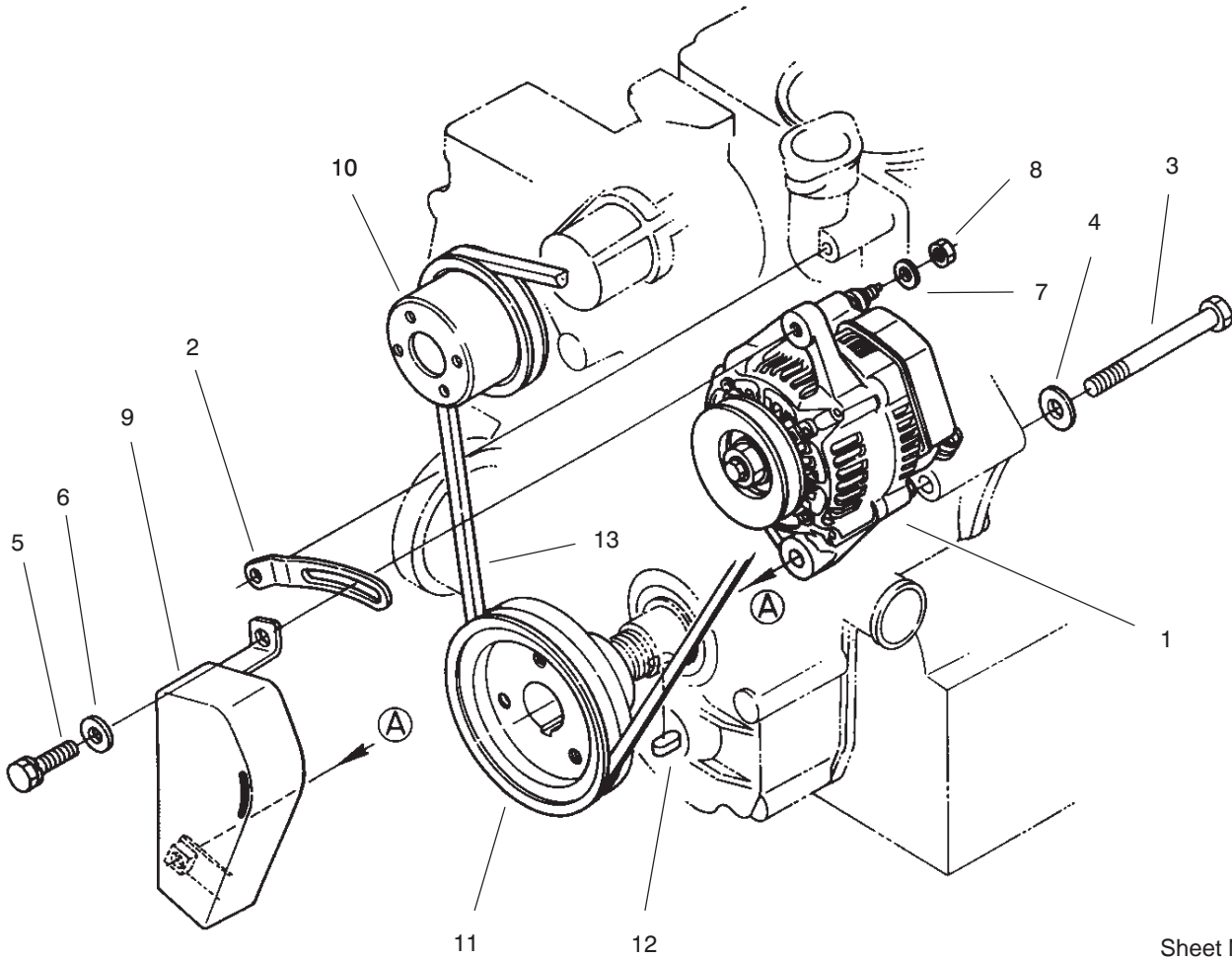


Sheet No.:79

Fuel Pump Assembly

| Ref. No. | Part No. | Qty. | Description |
|----------|----------|------|-------------|
| 1 | 105-2883 | 1 | Cap-Sealing |

| Ref. No. | Part No. | Qty. | Description |
|----------|----------|------|-------------|
| | | | |

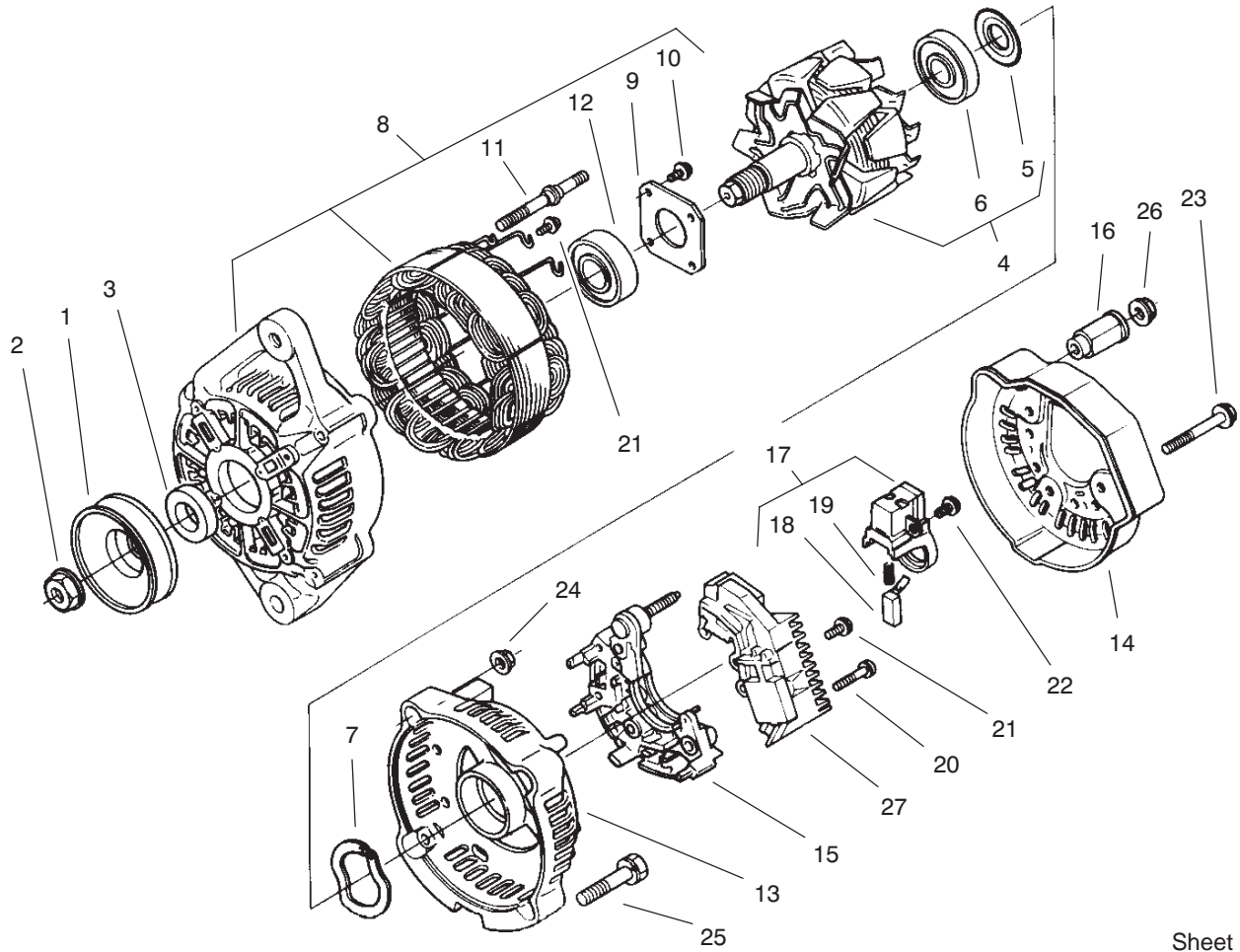


Sheet No.:80

Alternator and Pulley Assembly

| Ref. No. | Part No. | Qty. | Description |
|----------|----------|------|--------------------|
| 1 | 98-7693 | 1 | Alternator ASM |
| 2 | 98-7694 | 1 | Bracket-Alternator |
| 3 | 98-7695 | 1 | Bolt |
| 4 | 98-7696 | 1 | Washer-Plain |
| 5 | 98-7697 | 1 | Bolt |
| 6 | 98-7698 | 1 | Washer-Plain |
| 7 | 98-7699 | 1 | Washer-Spring |
| 8 | 98-7572 | 1 | Nut |
| 9 | 98-7701 | 1 | Cover-Belt |
| 10 | 98-7702 | 1 | Pulley-Fan |
| 11 | 98-7703 | 1 | Pulley-Drive, Fan |
| 12 | 98-7451 | 1 | Key-Feather |
| 13 | 98-7705 | 1 | V-Belt |

| Ref. No. | Part No. | Qty. | Description |
|----------|----------|------|-------------|
| | | | |

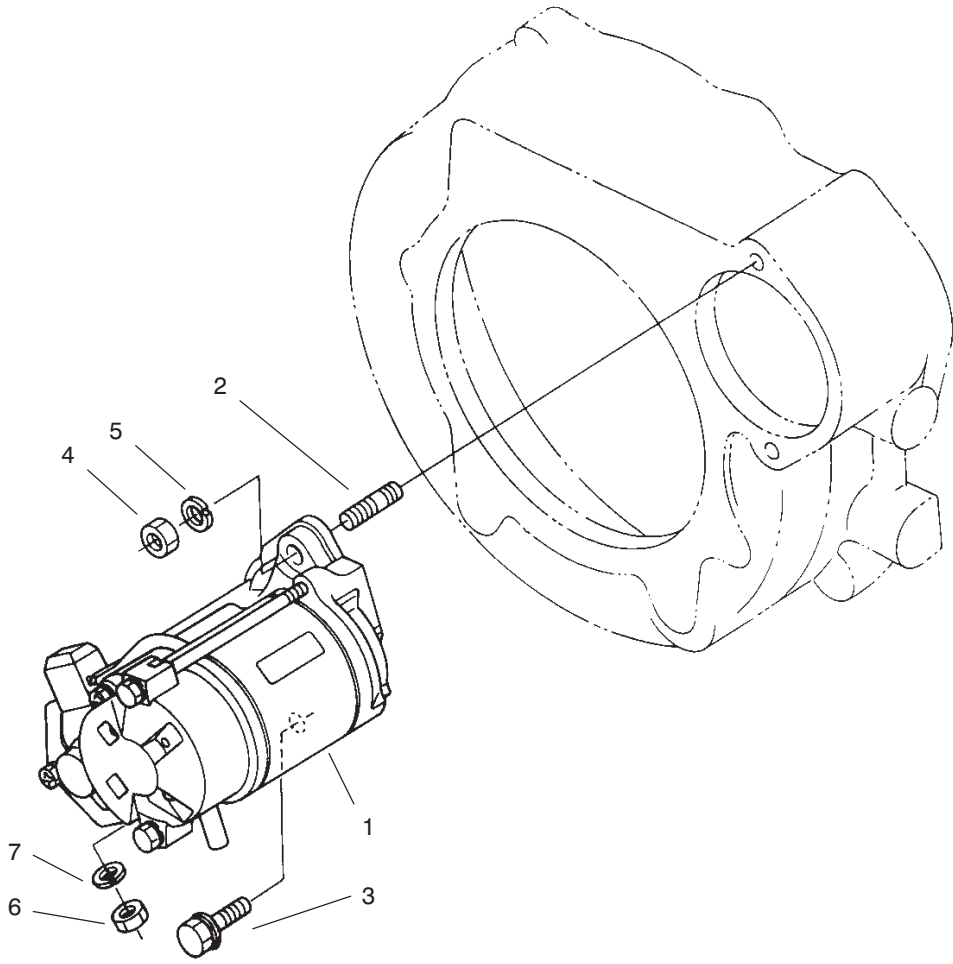


Sheet No.:A2

Alternator Assembly No. 98-7693

| Ref. No. | Part No. | Qty. | Description |
|----------|----------|------|--------------------|
| 1 | 98-7707 | 1 | Pulley-Alternator |
| 2 | 98-7708 | 1 | Nut |
| 3 | 98-7709 | 1 | Collar |
| 4 | 98-7710 | 1 | Rotor |
| 5 | 98-7711 | 1 | Cover-Bearing |
| 6 | 98-7712 | 1 | Bearing-Ball |
| 7 | 98-7713 | 1 | Washer-Thrust |
| 8 | 98-7714 | 1 | Frame-End, Drive |
| 9 | 98-7715 | 1 | Plate-Retainer |
| 10 | 98-7716 | 4 | Screw-Head, Round |
| 11 | 98-7717 | 2 | Bolt-Through |
| 12 | 98-7718 | 1 | Bearing-Ball |
| 13 | 98-7719 | 1 | Frame-End |
| 14 | 98-7720 | 1 | Cover-End |
| 15 | 98-7721 | 1 | Rectifier ASM |
| 16 | 98-7722 | 1 | Bushing-Insulation |
| 17 | 98-7723 | 1 | Holder-Brush |
| 18 | 98-7724 | 2 | Brush |
| 19 | 98-7725 | 2 | Spring-Brush |
| 20 | 98-7726 | 2 | Screw-Head, Round |
| 21 | 98-7727 | 6 | Screw-Head, Round |
| 22 | 98-7728 | 1 | Screw-Head, Round |
| 23 | 98-7729 | 3 | Bolt |
| 24 | 98-7730 | 2 | Nut |
| 25 | 98-7731 | 2 | Bolt |

| Ref. No. | Part No. | Qty. | Description |
|----------|----------|------|---------------|
| 26 | 98-7732 | 1 | Nut |
| 27 | 98-7733 | 1 | Regulator ASM |

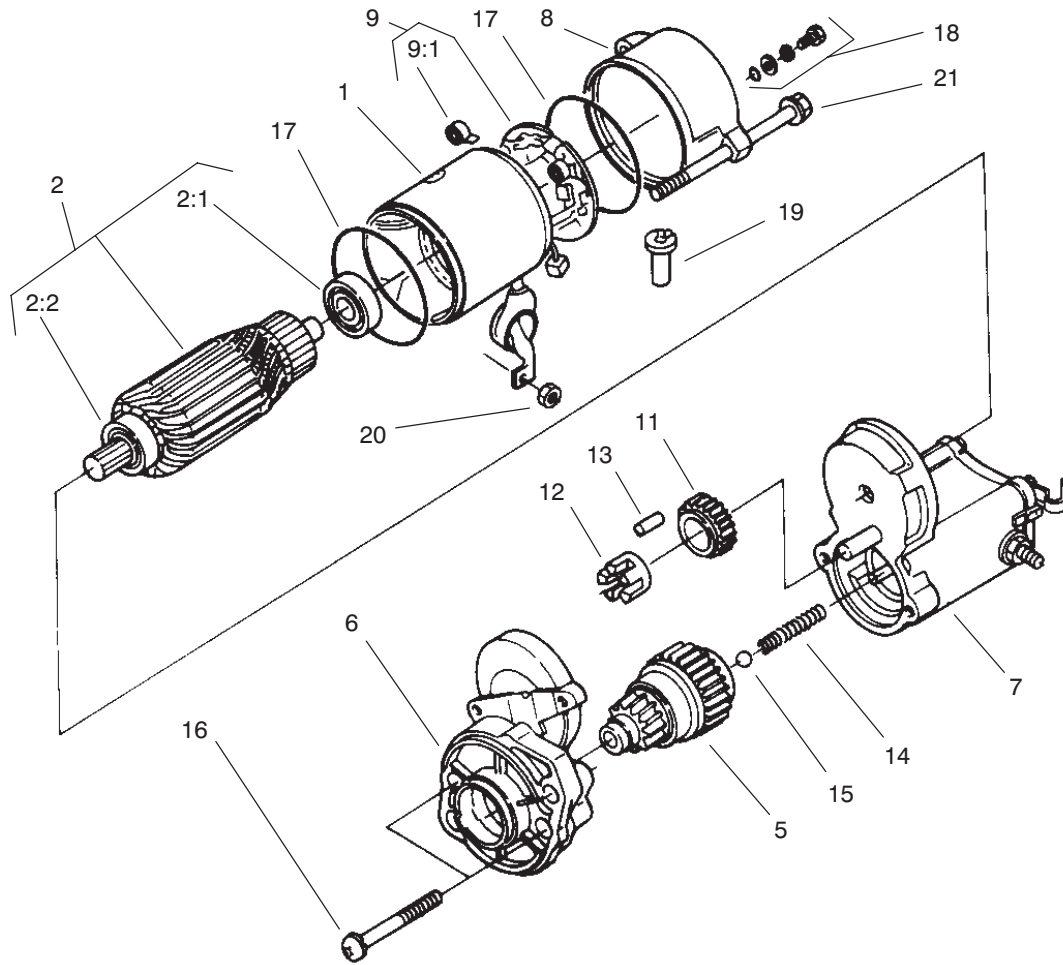


Sheet No.:82

Starter Assembly

| Ref. No. | Part No. | Qty. | Description |
|----------|----------|------|---------------|
| 1 | 98-7734 | 1 | Starter ASM |
| 2 | 98-7735 | 1 | Stud |
| 3 | 98-7736 | 1 | Bolt |
| 4 | 98-7737 | 1 | Nut |
| 5 | 98-7738 | 1 | Washer-Spring |
| 6 | 98-7739 | 1 | Nut |
| 7 | 98-7535 | 1 | Washer-Spring |

| Ref. No. | Part No. | Qty. | Description |
|----------|----------|------|-------------|
| | | | |
| | | | |
| | | | |
| | | | |
| | | | |
| | | | |
| | | | |
| | | | |
| | | | |
| | | | |

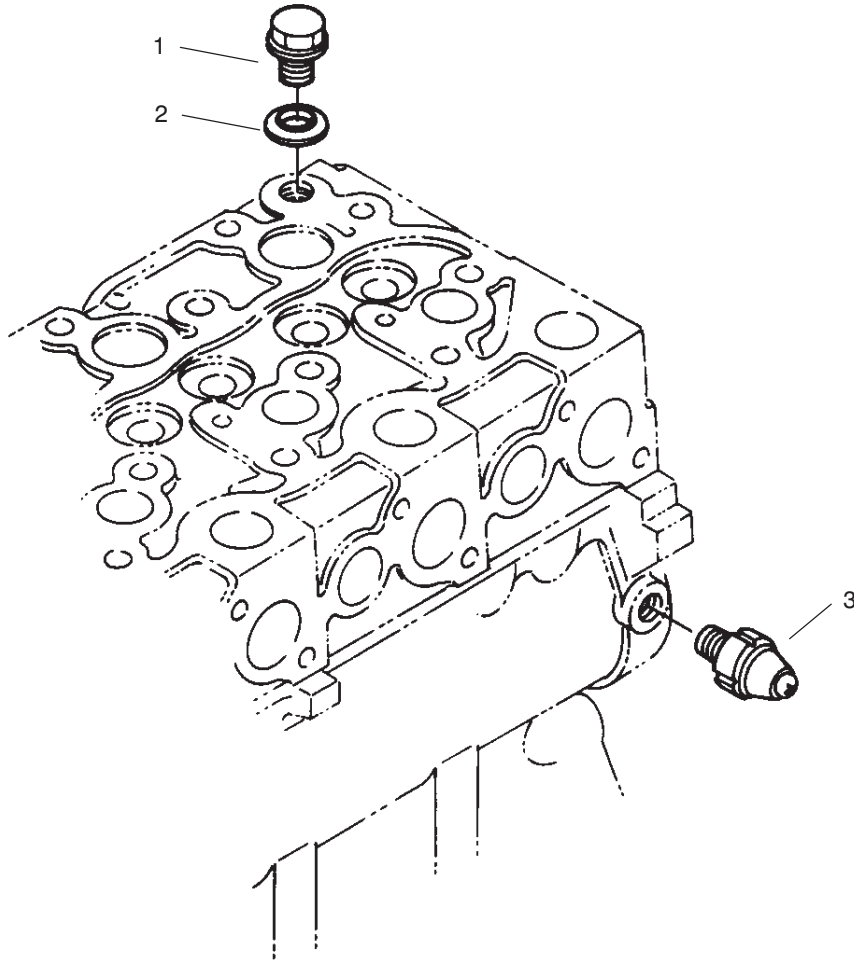


Sheet No.:A3

Starter Assembly No. 98-7734

| Ref. No. | Part No. | Qty. | Description |
|----------|----------|------|---------------------------|
| 1 | 98-7741 | 1 | Yoke ASM |
| 2 | 98-7742 | 1 | Armature ASM |
| 2:1 | 98-7743 | 1 | Bearing |
| 2:2 | 98-7744 | 1 | Bearing |
| 5 | 98-7745 | 1 | Clutch-Running, Over |
| 6 | 98-7746 | 1 | Frame-End, Drive |
| 7 | 98-7747 | 1 | Assembly Switch, Magnetic |
| 8 | 98-7748 | 1 | Frame-End |
| 9 | 98-7749 | 1 | Brush Holder ASM |
| 9:1 | 98-7750 | 4 | Spring-Brush |
| 11 | 98-7751 | 1 | Gear |
| 12 | 98-7752 | 1 | Retainer |
| 13 | 98-7753 | 5 | Roller |
| 14 | 98-7754 | 1 | Spring |
| 15 | 98-7755 | 1 | Ball |
| 16 | 98-7756 | 2 | Bolt |
| 17 | 98-7757 | 2 | O-Ring |
| 18 | 98-7758 | 2 | Bolt ASM |
| 19 | 98-7759 | 1 | Pipe-Drain |
| 20 | 98-7760 | 1 | Nut-Hex |
| 21 | 98-7761 | 2 | Bolt-Through |

| Ref. No. | Part No. | Qty. | Description |
|----------|----------|------|-------------|
| | | | |

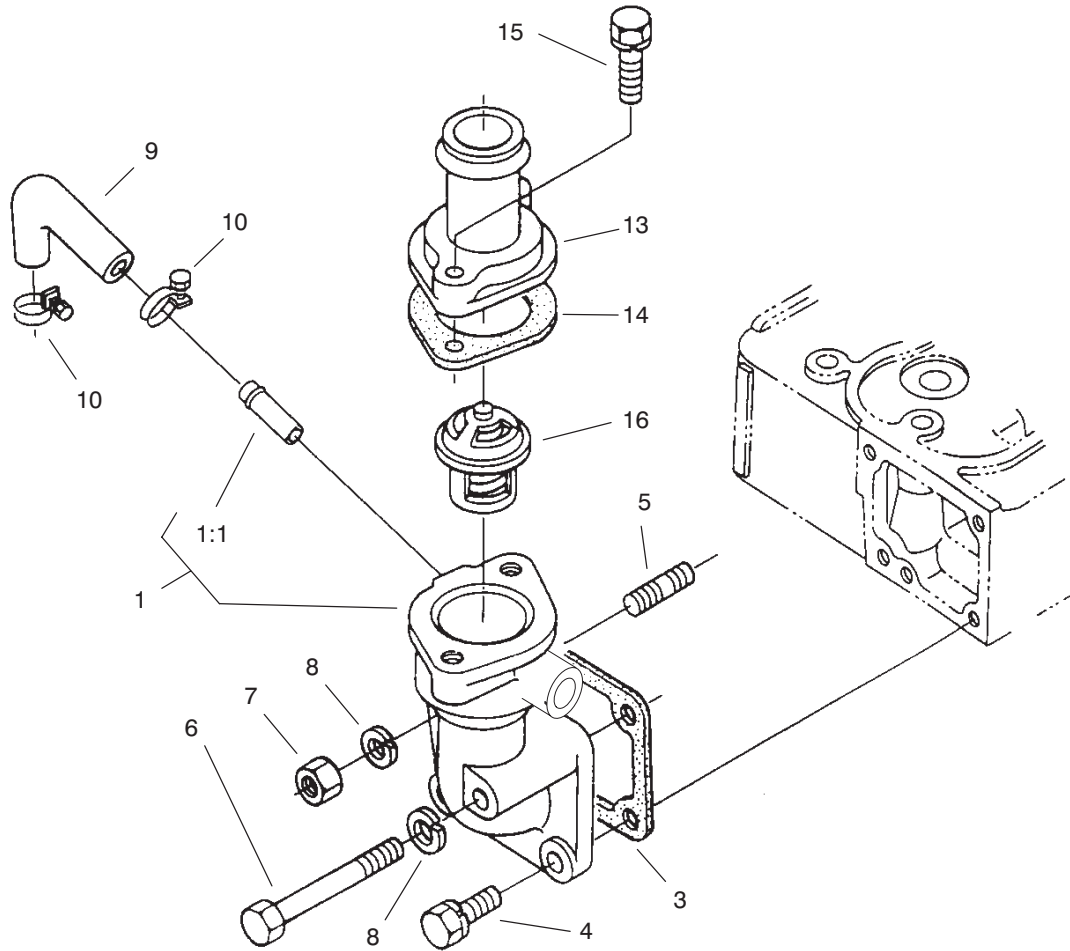


Sheet No.:84

Oil Switch and Plug Assembly

| Ref. No. | Part No. | Qty. | Description |
|----------|----------|------|-----------------|
| 1 | 98-7762 | 1 | Plug-Glow |
| 2 | 98-7763 | 1 | Washer W/Rubber |
| 3 | 98-7764 | 1 | Switch-Oil |

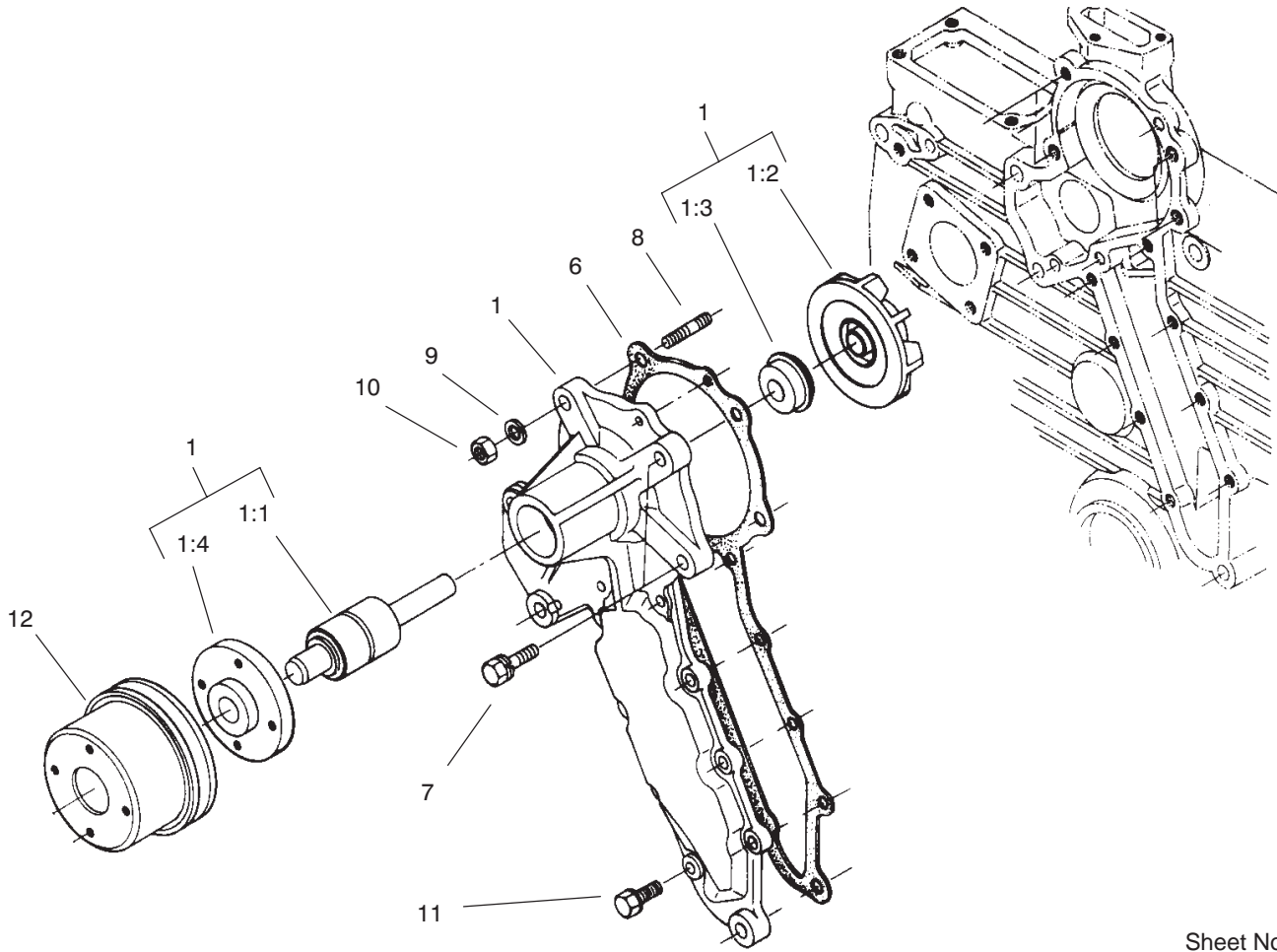
| Ref. No. | Part No. | Qty. | Description |
|----------|----------|------|-------------|
| | | | |
| | | | |
| | | | |
| | | | |
| | | | |
| | | | |
| | | | |
| | | | |
| | | | |



Sheet No.:85

Water Flange and Thermostat Assembly

| Ref. No. | Part No. | Qty. | Description | Ref. No. | Part No. | Qty. | Description |
|----------|----------|------|------------------------|----------|----------|------|-------------|
| 1 | 98-7765 | 1 | Flange-Water, Complete | | | | |
| 1:1 | 98-7766 | 1 | Pipe-Return, Water | | | | |
| 3 | 98-7767 | 1 | Gasket-Flange, Water | | | | |
| 4 | 98-7610 | 2 | Bolt | | | | |
| 5 | 98-7769 | 1 | Stud | | | | |
| 6 | 98-7554 | 1 | Bolt | | | | |
| 7 | 98-7534 | 1 | Nut | | | | |
| 8 | 98-7535 | 2 | Washer-Spring | | | | |
| 9 | 98-7773 | 1 | Pipe-Return, Water | | | | |
| 10 | 98-7774 | 2 | Band-Pipe | | | | |
| 13 | 98-7775 | 1 | Cover-Thermostat | | | | |
| 14 | 98-7776 | 1 | Gasket | | | | |
| 15 | 98-7777 | 1 | Bolt | | | | |
| 16 | 98-7778 | 1 | Thermostat ASM | | | | |

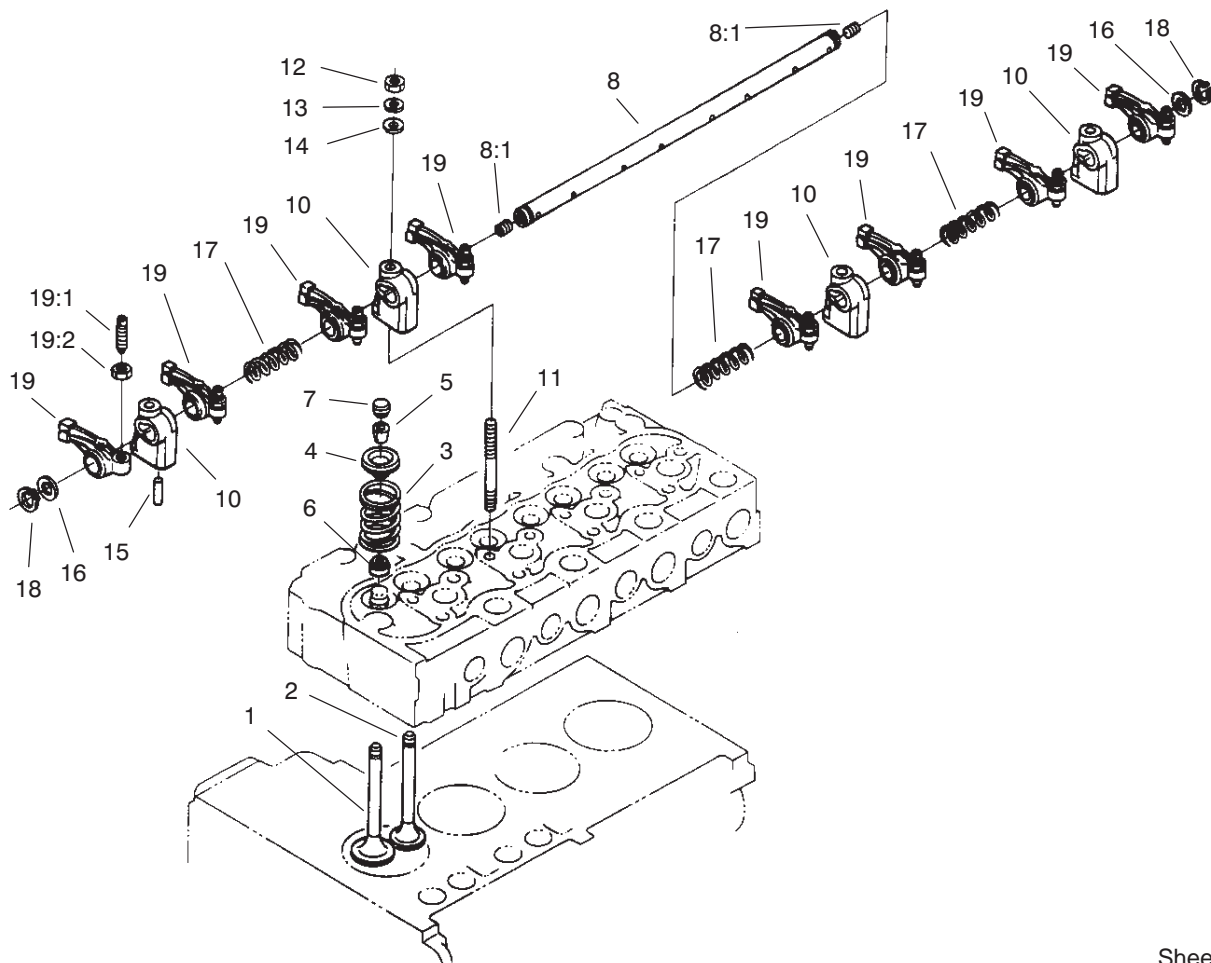


Sheet No.:86

Water Pump Assembly

| Ref. No. | Part No. | Qty. | Description |
|----------|----------|------|----------------------|
| 1 | 98-7779 | 1 | Water Pump ASM |
| 1:1 | 98-7780 | 1 | Bearing-Ball |
| 1:2 | 98-7781 | 1 | Impeller-Pump, Water |
| 1:3 | 98-7782 | 1 | Mechanical Seal ASM |
| 1:4 | 98-7783 | 1 | Flange-Pump, Water |
| 6 | 98-7784 | 1 | Gasket-Pump, Water |
| 7 | 98-7439 | 2 | Bolt |
| 8 | 98-7786 | 2 | Stud |
| 9 | 98-7535 | 2 | Washer-Spring |
| 10 | 98-7534 | 2 | Nut |
| 11 | 98-7605 | 8 | Bolt |
| 12 | 98-7702 | 1 | Pulley-Fan |

| Ref. No. | Part No. | Qty. | Description |
|----------|----------|------|-------------|
| | | | |
| | | | |
| | | | |
| | | | |
| | | | |
| | | | |
| | | | |
| | | | |
| | | | |
| | | | |

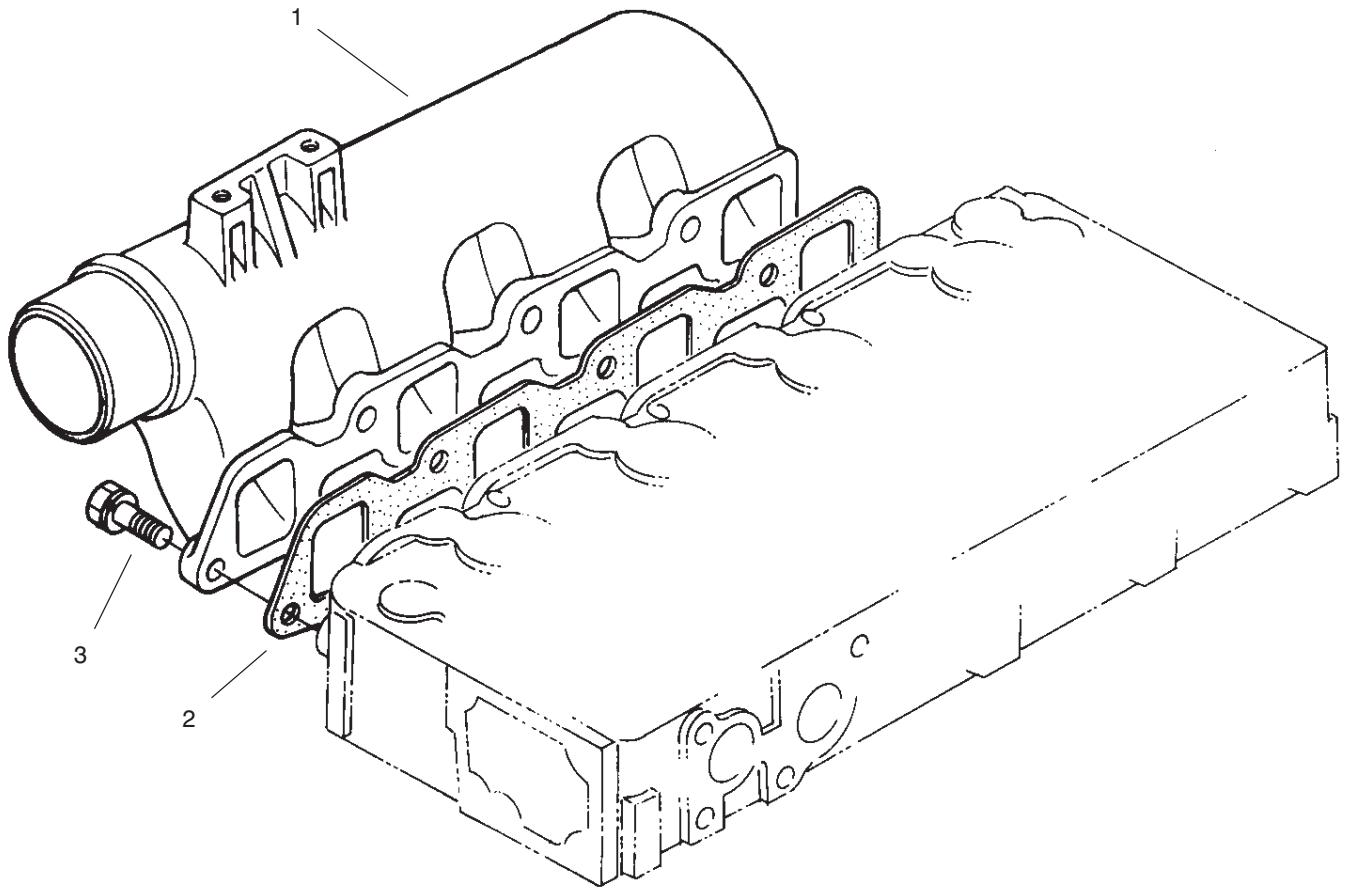


Sheet No.:87

Valve and Rocker Assembly

| Ref. No. | Part No. | Qty. | Description |
|----------|----------|------|-------------------------|
| 1 | 98-7791 | 4 | Valve-Inlet |
| 2 | 98-7792 | 4 | Valve-Exhaust |
| 3 | 98-7793 | 8 | Spring-Valve |
| 4 | 98-7794 | 8 | Retainer-Spring, Valve |
| 5 | 98-7795 | 8 | Collet-Spring, Valve |
| 6 | 98-7796 | 8 | Seal-Stem, Valve |
| 7 | 98-7797 | 8 | Cap-Valve |
| 8 | 98-7798 | 1 | Rocker Arm Shaft ASM |
| 8:1 | 98-7799 | 2 | Screw-Set |
| 10 | 98-7800 | 4 | Bracket-Arm, Rocker |
| 11 | 98-7801 | 4 | Stud |
| 12 | 98-7534 | 4 | Nut |
| 13 | 98-7535 | 4 | Washer-Spring |
| 14 | 98-7536 | 4 | Washer-Plain |
| 15 | 98-7805 | 1 | Pin-Spring |
| 16 | 98-7806 | 2 | Washer |
| 17 | 98-7807 | 3 | Spring-Arm, Rocker |
| 18 | 98-7808 | 2 | Clip-Cir., External |
| 19 | 98-7809 | 8 | Rocker Arm ASM |
| 19:1 | 98-7810 | 1 | Screw-Adjusting |
| 19:2 | 98-7811 | 1 | Nut |

| Ref. No. | Part No. | Qty. | Description |
|----------|----------|------|-------------|
| | | | |
| | | | |
| | | | |
| | | | |
| | | | |
| | | | |
| | | | |
| | | | |
| | | | |
| | | | |
| | | | |

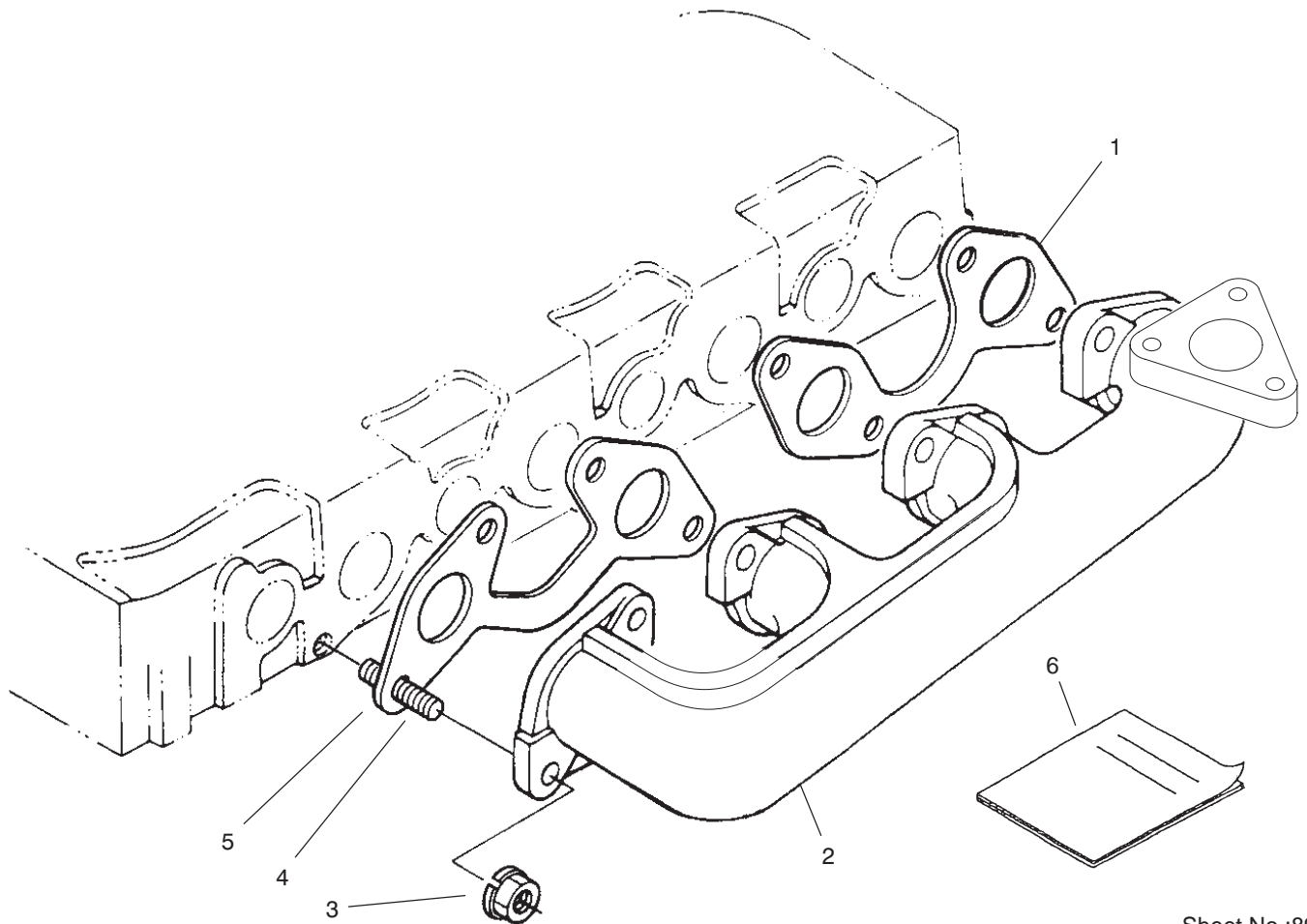


Sheet No.:88

Inlet Manifold Assembly

| Ref. No. | Part No. | Qty. | Description |
|----------|----------|------|---------------------|
| 1 | 98-7812 | 1 | Manifold-Inlet |
| 2 | 98-7813 | 1 | Gasket-Manifold, In |
| 3 | 98-7610 | 3 | Bolt |

| Ref. No. | Part No. | Qty. | Description |
|----------|----------|------|-------------|
|----------|----------|------|-------------|



Sheet No.:89

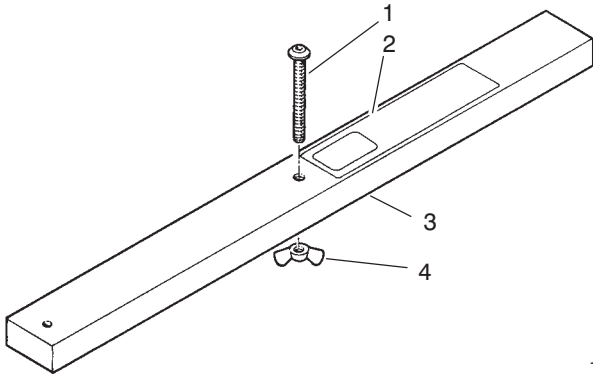
Exhaust Manifold Assembly

| Ref. No. | Part No. | Qty. | Description |
|----------|----------|------|-------------------------|
| 1 | 98-7802 | 1 | Gasket |
| 2 | 98-7815 | 1 | Manifold-Exhaust |
| 3 | 100-1559 | 8 | Nut-Manifold, Exhaust |
| 4 | 100-1558 | 8 | Stud-Manifold, Exhaust |
| 5 | 98-7803 | 1 | Gasket |
| 6 | 105-3316 | 1 | Manual-Operator, Kubota |

| Ref. No. | Part No. | Qty. | Description |
|----------|----------|------|-------------|
| | | | |
| | | | |
| | | | |
| | | | |
| | | | |
| | | | |
| | | | |
| | | | |
| | | | |
| | | | |

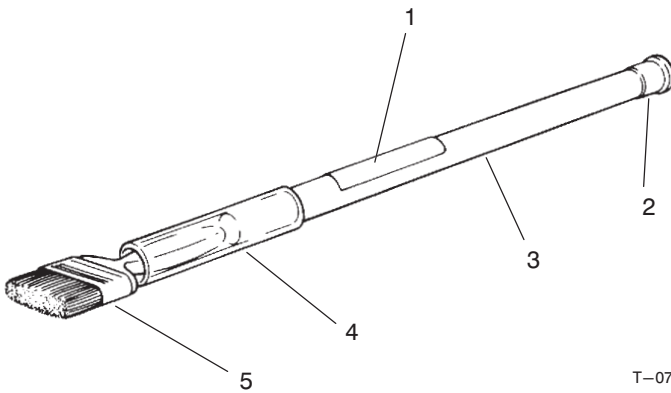
SPECIAL TOOLS

GAUGE BAR ASSEMBLY NO. 59-7900



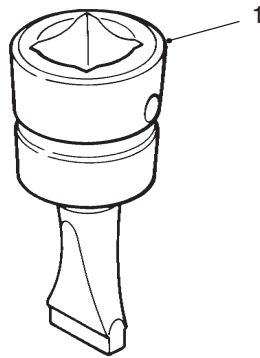
| Ref. No. | Part No. | Description | No. Used |
|----------|----------|-----------------------|----------|
| 1 | 32122-54 | Screw—Mach. Slot. Hd. | 1 |
| 2 | 59-7930 | Decal | 1 |
| 3 | | Bar | 1 |
| 4 | 32103-3 | Nut—Wing | 1 |

BACKLAPPING BRUSH ASSEMBLY NO. *TOR299100



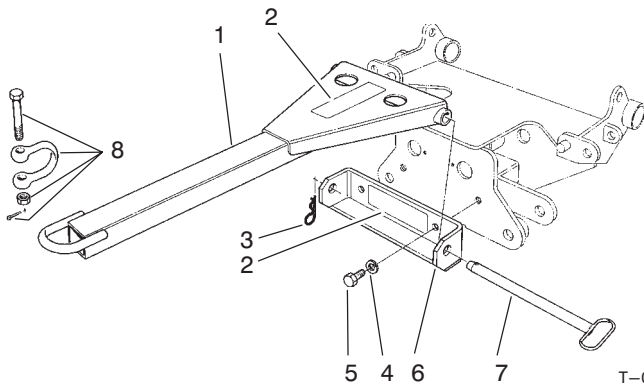
| Ref. No. | Part No. | Description | No. Used |
|----------|----------|-------------|----------|
| 1 | 12-9140 | Decal | 1 |
| 2 | 2410-18 | Plug | 1 |
| 3 | 29-9080 | Handle | 1 |
| 4 | 29-9090 | Hose—Handle | 1 |
| 5 | 36-4310 | Brush | 1 |

BEDKNIFE SCREW TOOL NO. *TOR510880



| Ref. No. | Part No. | Description | No. Used |
|----------|----------|---------------------|----------|
| 1 | 51-0880 | Tool—Bedknife Screw | 1 |

TOW BAR ASSEMBLY NO. 58-7020



| Ref. No. | Part No. | Description | No. Used |
|----------|----------|--|----------|
| 1 | 12-7579 | Tow Bar (Incl. Ref. #2) | 1 |
| 2 | 63-4380 | Decal—Instruction | 2 |
| 3 | 60-4150 | Pin—Retaining | 1 |
| 4 | 48-8070 | Washer—Lock | 2 |
| 5 | 48-7830 | Screw—HH | 2 |
| 6 | 12-7589 | Asm—Tow Bar Bracket (Incl. Ref. #2) | 1 |
| 7 | 60-4120 | Pin—Tow Bar | 1 |
| 8 | 60-4480 | Asm—Shackle | 1 |

*Obtain these items directly from OTC 2013 4th St. Owatonna, MN. 55060 1-800-533-0492
(in Minnesota and Canada 1-507-455-7050) Fax. 507-455-7011.

Maintenance Record

| Date | | | | | | | | |
|------|--|--|--|--|--|--|--|--|
| | | | | | | | | |
| | | | | | | | | |
| | | | | | | | | |
| | | | | | | | | |
| | | | | | | | | |
| | | | | | | | | |
| | | | | | | | | |
| | | | | | | | | |
| | | | | | | | | |
| | | | | | | | | |
| | | | | | | | | |
| | | | | | | | | |
| | | | | | | | | |
| | | | | | | | | |
| | | | | | | | | |
| | | | | | | | | |
| | | | | | | | | |
| | | | | | | | | |
| | | | | | | | | |
| | | | | | | | | |
| | | | | | | | | |

Maintenance Record

| Date | | | | | | | | |
|------|--|--|--|--|--|--|--|--|
| | | | | | | | | |
| | | | | | | | | |
| | | | | | | | | |
| | | | | | | | | |
| | | | | | | | | |
| | | | | | | | | |
| | | | | | | | | |
| | | | | | | | | |
| | | | | | | | | |
| | | | | | | | | |
| | | | | | | | | |
| | | | | | | | | |
| | | | | | | | | |
| | | | | | | | | |
| | | | | | | | | |
| | | | | | | | | |
| | | | | | | | | |
| | | | | | | | | |
| | | | | | | | | |
| | | | | | | | | |
| | | | | | | | | |
| | | | | | | | | |
| | | | | | | | | |
| | | | | | | | | |
| | | | | | | | | |
| | | | | | | | | |
| | | | | | | | | |
| | | | | | | | | |
| | | | | | | | | |
| | | | | | | | | |
| | | | | | | | | |
| | | | | | | | | |
| | | | | | | | | |
| | | | | | | | | |

Maintenance Record

| Date | | | | | | | | |
|------|--|--|--|--|--|--|--|--|
| | | | | | | | | |
| | | | | | | | | |
| | | | | | | | | |
| | | | | | | | | |
| | | | | | | | | |
| | | | | | | | | |
| | | | | | | | | |
| | | | | | | | | |
| | | | | | | | | |
| | | | | | | | | |
| | | | | | | | | |
| | | | | | | | | |
| | | | | | | | | |
| | | | | | | | | |
| | | | | | | | | |
| | | | | | | | | |
| | | | | | | | | |
| | | | | | | | | |
| | | | | | | | | |
| | | | | | | | | |
| | | | | | | | | |
| | | | | | | | | |
| | | | | | | | | |
| | | | | | | | | |

