



Count on it.

Parts Catalog

**Revolution 60V Backpack and
Blower Cannon Tool**

Model No. 66200—Serial No. 323000001 and Up



Ordering Replacement Parts

To order replacement parts, please supply the part number, the quantity, and the description of each part desired.

Understanding Reference Numbers

Each identified part in an illustration has a reference number. The reference number for a part also appears in the parts list, along with other information about the part.

This catalog uses two special reference number formats, one to indicate parts in a service assembly and another to indicate the quantity of a given part in an illustration.

Service Assembly Reference Numbers

Parts in service assemblies have reference numbers in the form a:b. The a represents the reference number of the entire service assembly and the b represents a sequential number unique to each part within the service assembly.

For example, a wheel assembly might be identified by reference number 6, the tire by 6:1, the valve by 6:2, and the wheel by 6:3. When you order the assembly identified by reference number 6, you receive all parts identified by reference numbers 6:1, 6:2, and 6:3. However, you may also order any part individually. Reference numbers of this type appear in illustration and in parts lists.

Reference Numbers Indicating Quantity

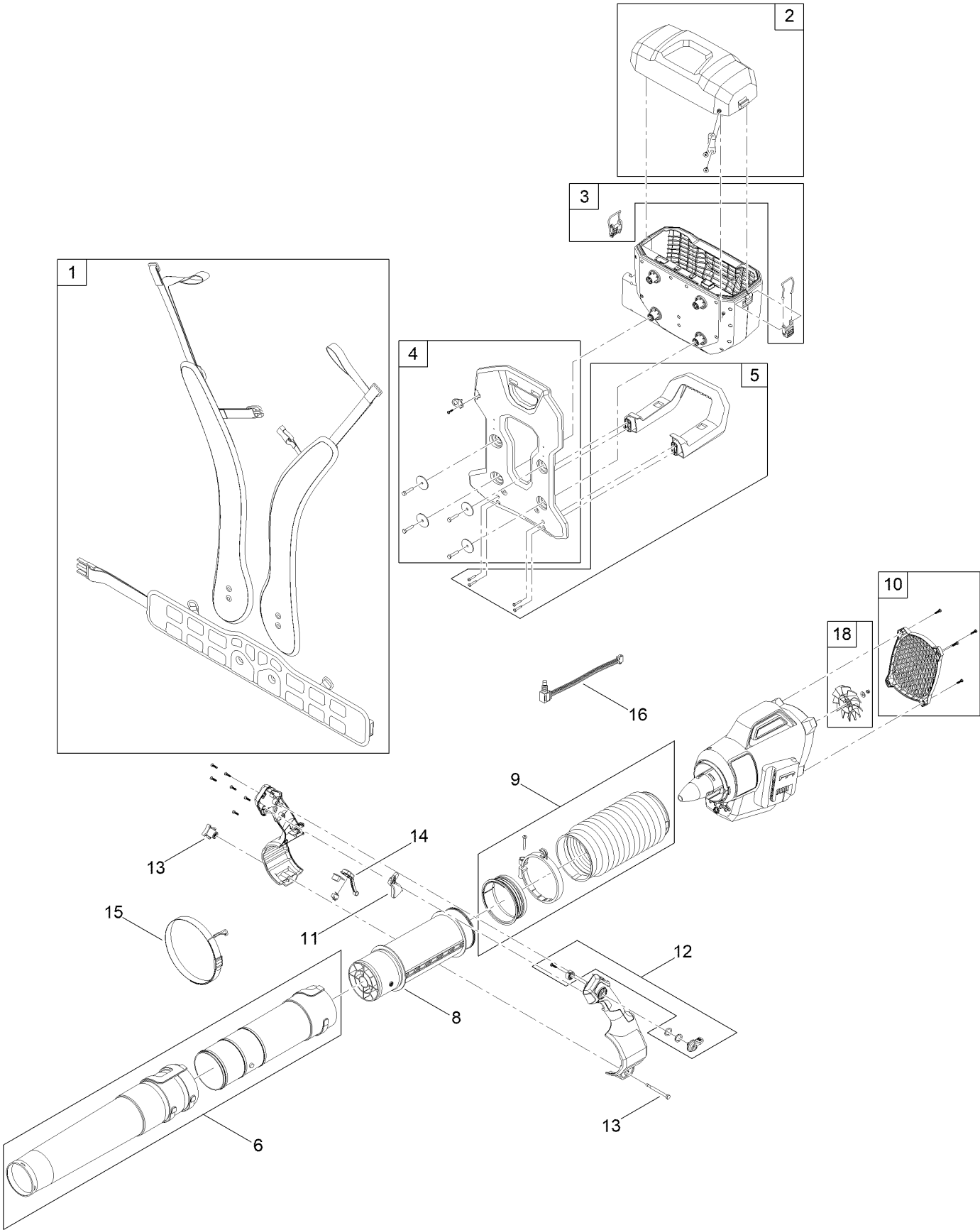
In an illustration, if a reference number indicates more than one part, the reference number has the form nX y. The n represents the quantity of the part, the X is the multiplication symbol, and the y represents the reference number.

For example, in an illustration, the reference number 2X 37 means that two of the parts identified by reference number 37 are indicated.

Contents

Revolution 60V Backpack and Blower Cannon Tool Assembly 4
Attachments and Accessories 6

Revolution 60V Backpack and Blower Cannon Tool Assembly



Revolution 60V Backpack and Blower Cannon Tool Assembly (continued)

<i>Ref.</i>	<i>Part Number</i>	<i>Qty.</i>	<i>Description</i>	<i>Ref.</i>	<i>Part Number</i>	<i>Qty.</i>	<i>Description</i>
1	147-1863	1	Harness-Shoulder/Hip Straps Kit	10	147-1859	1	Cover-Air Inlet
2	147-1864	1	Cover-Battery Housing	11	147-1860	1	Trigger-Pistol Handle
3	147-1865	1	Latch-Battery Housing	12	147-1861	1	Lever-Speed Lock ASM
4	147-1866	1	Plate-Battery Housing Mount	13	147-1862	1	Knob-Pistol Handle Adjustment
5	147-1867	1	Brace-Backpack Plate	14	147-1868	1	Button-Turbo Speed
6	147-1882	1	Air Outlet Tube Kit	15	147-1874	1	Strap-Blower
8	147-1857	1	Tube-Pistol Handle Slide	16	147-1876	1	Switch-Speed Control
9	147-1858	1	Tube-Flexible, Corrugated	18	147-1850	1	Fan-Blower

Attachments and Accessories

For 66200 Revolution 60V Backpack and Blower Cannon Tool

Product Name	Model/Part
Tether-Backpack.....	66005
60V 10.0 AH Battery LI-ION, CE.....	68810
60V Battery Charger 1 Amp Australia.....	81101
60V Battery Charger 1 Amp CE.....	81801
60V Battery Charger 2 Amp CE.....	81802
60v Battery Charger 5 Amp International.....	81805
60V 2.0 AH Battery International.....	81820
60V 2.5 AH Battery CE.....	81825
60V 4.0 AH Battery CE.....	81850
60V 6.0 AH Battery CE.....	81860
60V 7.5 AH Battery CE.....	81875

Notes:



Count on it.