



**Count on it.**

**Parts Catalog**

**Revolution 60V Backpack and Blower**

Model No. 66100—Serial No. 323000001 and Up



# Ordering Replacement Parts

To order replacement parts, please supply the part number, the quantity, and the description of each part desired.

## Understanding Reference Numbers

Each identified part in an illustration has a reference number. The reference number for a part also appears in the parts list, along with other information about the part.

This catalog uses two special reference number formats, one to indicate parts in a service assembly and another to indicate the quantity of a given part in an illustration.

## Service Assembly Reference Numbers

Parts in service assemblies have reference numbers in the form a:b. The a represents the reference number of the entire service assembly and the b represents a sequential number unique to each part within the service assembly.

For example, a wheel assembly might be identified by reference number 6, the tire by 6:1, the valve by 6:2, and the wheel by 6:3. When you order the assembly identified by reference number 6, you receive all parts identified by reference numbers 6:1, 6:2, and 6:3. However, you may also order any part individually. Reference numbers of this type appear in illustration and in parts lists.

## Reference Numbers Indicating Quantity

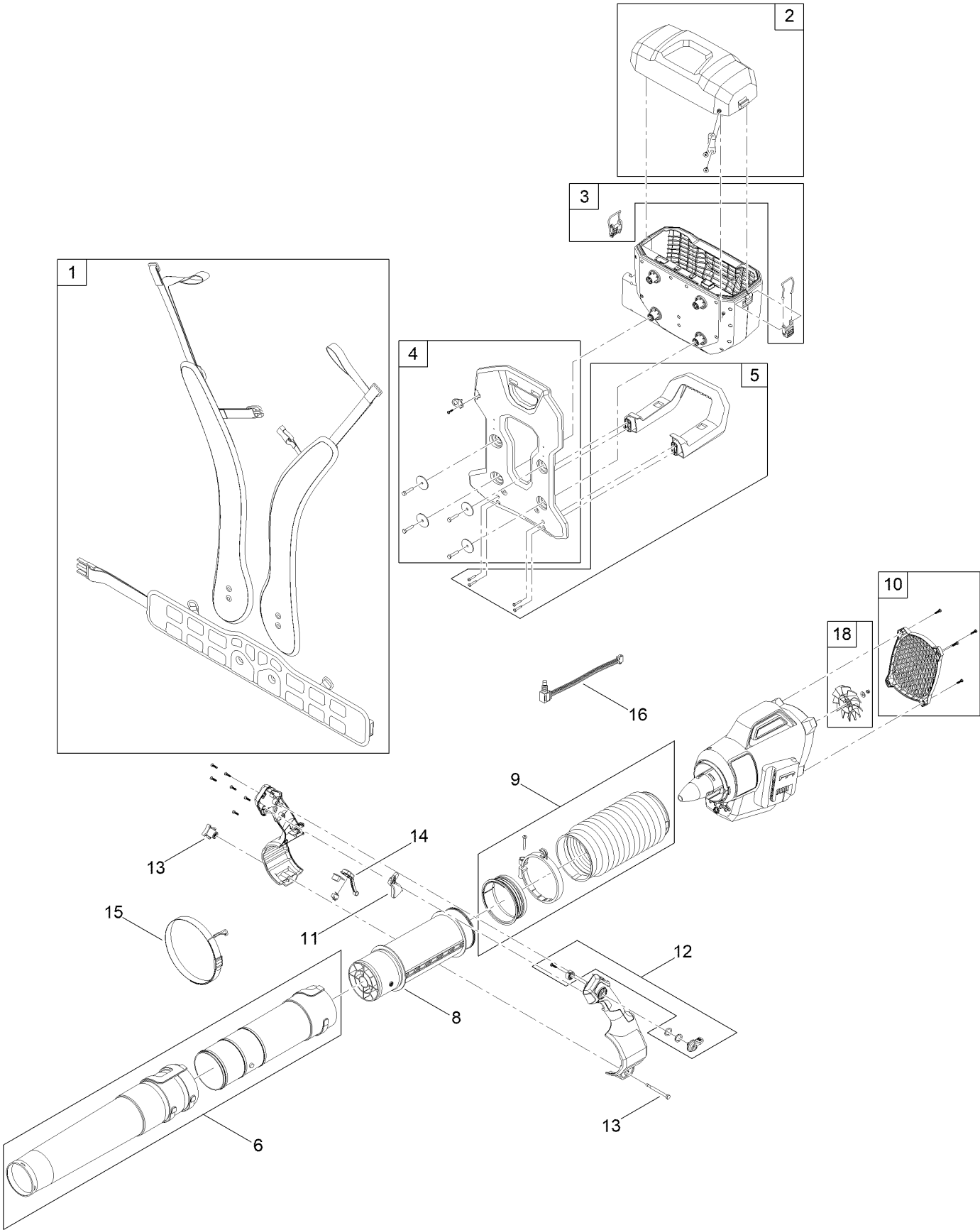
In an illustration, if a reference number indicates more than one part, the reference number has the form nX y. The n represents the quantity of the part, the X is the multiplication symbol, and the y represents the reference number.

For example, in an illustration, the reference number 2X 37 means that two of the parts identified by reference number 37 are indicated.

# Contents

Revolution 60V Backpack and Blower Cannon Tool Assembly ..... 4  
Attachments and Accessories ..... 6

# Revolution 60V Backpack and Blower Cannon Tool Assembly



## Revolution 60V Backpack and Blower Cannon Tool Assembly (continued)

<i>Ref.</i>	<i>Part Number</i>	<i>Qty.</i>	<i>Description</i>	<i>Ref.</i>	<i>Part Number</i>	<i>Qty.</i>	<i>Description</i>
1	147-1863	1	Harness-Shoulder/Hip Straps Kit	10	147-1859	1	Cover-Air Inlet
2	147-1864	1	Cover-Battery Housing	11	147-1860	1	Trigger-Pistol Handle
3	147-1865	1	Latch-Battery Housing	12	147-1861	1	Lever-Speed Lock ASM
4	147-1866	1	Plate-Battery Housing Mount	13	147-1862	1	Knob-Pistol Handle Adjustment
5	147-1867	1	Brace-Backpack Plate	14	147-1868	1	Button-Turbo Speed
6	147-1882	1	Air Outlet Tube Kit	15	147-1874	1	Strap-Blower
8	147-1857	1	Tube-Pistol Handle Slide	16	147-1876	1	Switch-Speed Control
9	147-1858	1	Tube-Flexible, Corrugated	18	147-1850	1	Fan-Blower

# Attachments and Accessories

## For 66100 Revolution 60V Backpack and Blower

<b>Product Name</b>	<b>Model/Part</b>
Tether-Backpack.....	66005
60V Six Pod Battery Charger 12 AMP .....	66550
60V LI-ION Battery 10.0 AH .....	66810
60V Battery Charger 2 AMP .....	88602
60V Rapid Battery Charger 5.4 AMP .....	88605
60V Battery Charger 1 AMP .....	88610
60V Battery 2.0 AH .....	88620
60V LI-ION Battery 2.5 AH.....	88625
60V LI-ION, Battery 4.0 AH .....	88640
60V LI-ION Battery 5.0 AH.....	88650
60V LI-ION Battery 6.0 AH.....	88660
60V LI-ION Battery 7.5 AH.....	88675

**Notes:**



**Count on it.**