



**EN Flex-Force Power System™ 41cm (16in) 60V MAX
Chainsaw**

51850, 51850T

**ES Motosierra 60V MAX de 41 cm (16") con Flex-Force
Power System™**

51850, 51850T

**FR Tronçonneuse Flex-Force Power System™ 41 cm (16
po) 60 V MAX**

51850, 51850T





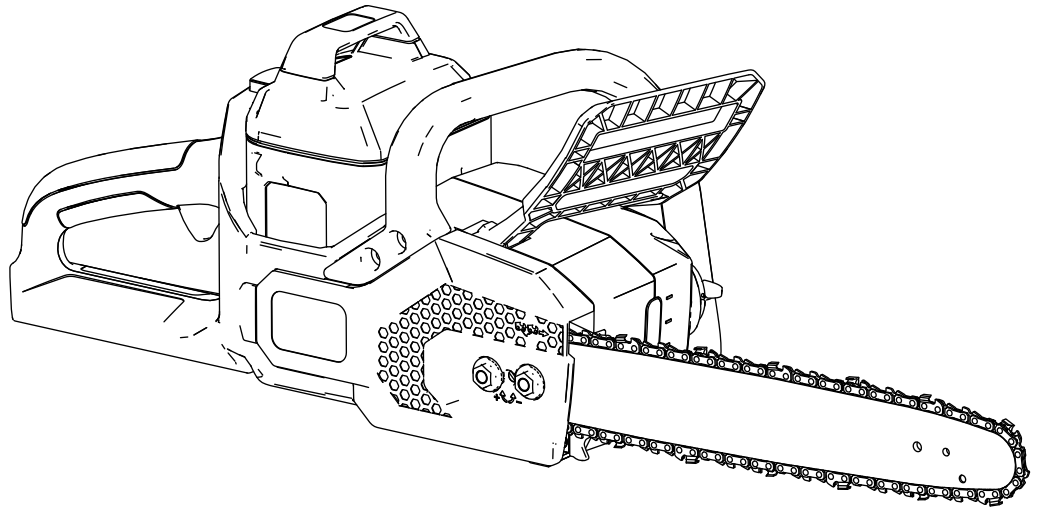
Count on it.

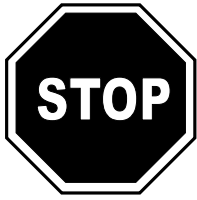
Operator's Manual

Flex-Force Power System™ 41cm (16in) 60V MAX Chainsaw

Model No. 51850—Serial No. 323000001 and Up

Model No. 51850T—Serial No. 323000001 and Up





For assistance, please see www.Toro.com/support for instructional videos or contact 1-888-384-9939 before returning this product.

⚠ WARNING

**CALIFORNIA
Proposition 65 Warning**

The power cord on this product contains lead, a chemical known to the State of California to cause birth defects or other reproductive harm. Wash hands after handling.

Use of this product may cause exposure to chemicals known to the State of California to cause cancer, birth defects, or other reproductive harm.

Whenever you need service, genuine Toro parts, or additional information, contact an Authorized Service Dealer or Toro Customer Service and have the model and serial numbers of your product ready. **Figure 1** identifies the location of the model and serial numbers on the product. Write the numbers in the space provided.

Important: With your mobile device, you can scan the QR code (if equipped) on the serial number plate to access warranty, parts, and other product information.

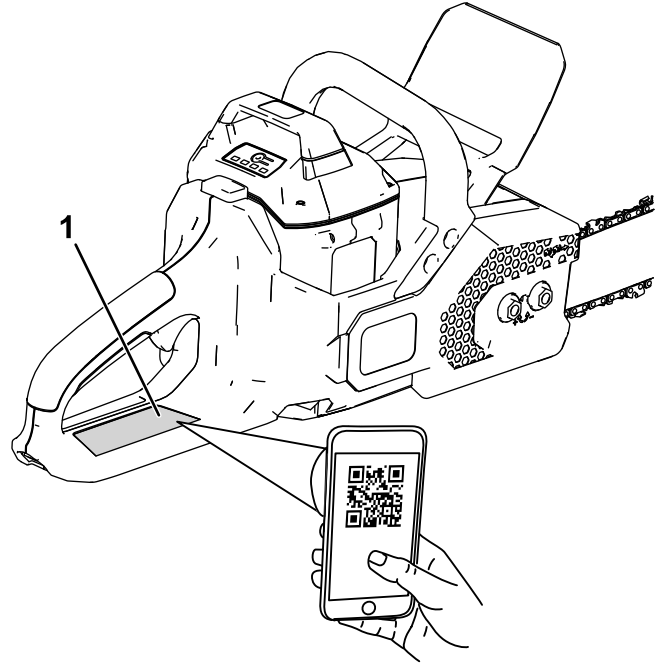


Figure 1

g425184

Introduction

This chain saw is designed for cutting tree branches, logs, and wooden beams of a diameter no longer than the cutting length of the guide bar. It is to be used only by adults. It is designed to use Toro 60V lithium-ion battery packs. These battery packs are designed to be charged only by Toro 60V lithium-ion battery chargers. Using these products for purposes other than their intended use could prove dangerous to you and bystanders. Using these products for purposes other than their intended use could prove dangerous to you and bystanders.

Model 51850T does not include a battery or a charger.

Read this information carefully to learn how to operate and maintain your product properly and to avoid injury and product damage. You are responsible for operating the product properly and safely.

Visit www.Toro.com for more information, including safety tips, training materials, accessory information, help finding a dealer, or to register your product.

Model No.	_____
Serial No.	_____

Safety-Alert Symbol

The safety-alert symbol (Figure 2) shown in this manual and on the machine identifies important safety messages that you must follow to prevent accidents.



Figure 2
Safety-alert symbol

g000502

The safety-alert symbol appears above information that alerts you to unsafe actions or situations and is followed by the word **DANGER**, **WARNING**, or **CAUTION**.

DANGER indicates an imminently hazardous situation which, if not avoided, **will** result in death or serious injury.

WARNING indicates a potentially hazardous situation which, if not avoided, **could** result in death or serious injury.

CAUTION indicates a potentially hazardous situation which, if not avoided, **may** result in minor or moderate injury.

This manual uses two other words to highlight information. **Important** calls attention to special mechanical information and **Note** emphasizes general information worthy of special attention.

Contents

Safety-Alert Symbol.....	3
Safety	4
.....	4
.....	6
Personal Protective Equipment	7
Safety and Instructional Decals	8
Setup	10
Mounting the Battery Charger (Optional).....	10
Filling the Chain Saw with Bar and Chain	
Oil	10
Product Overview	10
Specifications	11
Attachments/Accessories	11
Operation	11
Before Using the Chain Saw	11
Starting the Chain Saw	12
Shutting Off the Chain Saw	12
Cutting with the Chain Saw	13
Pruning a Tree	14
Felling a Tree	14
Limbing a Fallen Tree	16
Bucking a Log	17
Installing the Battery Pack	18
Removing the Battery Pack	18
Charging the Battery Pack	19
Maintenance	20
Recommended Maintenance Schedule(s)	20
Checking the Oil Level and Adding Bar and	
Chain Oil	20
Checking the Chain Brake	21
Checking the Flow of Bar and Chain	
Oil	21
Adjusting the Chain Tension	22
Servicing the Guide Bar, Chain, and Drive	
Sprocket.....	23
Installing the Guide Bar and Chain	24
Sharpening the Chain	24
Service	24
Storage	25
Preparing the Battery Pack for	
Recycling	25
Troubleshooting	26

Safety

▲ WARNING

Read all safety warnings, instructions, illustrations and specifications provided with this power tool.

Failure to follow all instructions listed below may result in electric shock, fire and/or serious injury.

Save all warnings and instructions for future reference.

The term “power tool” in all the warnings refers to your mains-operated (corded) power tool or battery-operated (cordless) power tool.

IMPORTANT SAFETY INSTRUCTIONS

I. Work area safety

1. **Keep work area clean and well lit.** *Cluttered or dark areas invite accidents.*
2. **Do not operate power tools in explosive atmospheres, such as in the presence of flammable liquids, gases, or dust.** *Power tools create sparks which may ignite the dust or fumes.*
3. **Keep children and bystanders away while operating a power tool.** *Distractions can cause you to lose control.*

II. Electrical safety

1. **Power tool plugs must match the outlet. Never modify the plug in any way. Do not use any adapter plugs with earthed (grounded) power tools.** *Unmodified plugs and matching outlets will reduce risk of electric shock.*
2. **Avoid body contact with earthed or grounded surfaces, such as pipes, radiators, ranges and refrigerators.** *There is an increased risk of electric shock if your body is earthed or grounded.*
3. **Do not expose power tools to rain or wet conditions.** *Water entering a power tool will increase the risk of electric shock.*
4. **Do not abuse the cord. Never use the cord for carrying, pulling or unplugging the power tool. Keep cord away from heat, oil, sharp edges or moving parts.** *Damaged or entangled cords increase the risk of electric shock.*

5. **When operating a power tool outdoors, use an extension cord suitable for outdoor use.** *Use of a cord suitable for outdoor use reduces the risk of electric shock.*
6. **If operating a power tool in a damp location is unavoidable, use a residual current device (RCD) protected supply.** *Use of an RCD reduces the risk of electric shock.*

III. Personal safety

1. **Stay alert, watch what you are doing and use common sense when operating a power tool. Do not use a power tool while you are tired or under the influence of drugs, alcohol, or medication.** *A moment of inattention while operating power tools may result in serious personal injury.*
2. **Use personal protective equipment. Always wear eye protection.** *Protective equipment such as dust mask, non-skid safety shoes, hard hat, or hearing protection used for appropriate conditions reduces personal injuries.*
3. **Prevent unintentional starting. Ensure the switch is in the OFF-position before connecting to power source and/or battery pack, picking up or carrying the tool.** *Carrying power tools with your finger on the switch or energizing power tools that have the switch on invites accidents.*
4. **Remove any adjusting key or wrench before turning the power tool on.** *A wrench or a key left attached to a rotating part of the power tool may result in personal injury.*
5. **Do not overreach. Keep proper footing and balance at all times.** *This enables better control of the power tool in unexpected situations.*
6. **Dress properly. Do not wear loose clothing or jewelry. Keep your hair and clothing away from moving parts.** *Loose clothes, jewelry, or long hair can be caught in moving parts.*
7. **If devices are provided for the connection of dust extraction and collection facilities, ensure these are connected and properly used.** *Use of dust collection can reduce dust-related hazards.*
8. **Do not let familiarity gained from frequent use of tools allow you to become complacent and ignore tool safety principles.** *A careless action can cause severe injury within a fraction of a second.*

IV. Power tool use and care

1. **Do not force the power tool. Use the correct power tool for your application.** *The correct power tool will do the job better and safer at the rate for which it was designed.*
2. **Do not use the power tool if the switch does not turn it on and off.** *Any power tool that cannot be controlled with the switch is dangerous and must be repaired.*
3. **Disconnect the plug from the power source and/or remove the battery pack, if detachable, from the power tool before making any adjustments, changing accessories, or storing power tools.** *Such preventive safety measures reduce the risk of starting the power tool accidentally.*
4. **Store idle power tools out of the reach of children and do not allow persons unfamiliar with the power tool or these instructions to operate the power tool.** *Power tools are dangerous in the hands of untrained users.*
5. **Maintain power tools and accessories. Check for misalignment or binding of moving parts, breakage of parts, and any other condition that may affect the power tool's operation. If damaged, have the power tool repaired before use.** *Many accidents are caused by poorly maintained power tools.*
6. **Keep cutting tools sharp and clean.** *Properly maintained cutting tools with sharp cutting edges are less likely to bind and are easier to control.*
7. **Use the power tool, accessories, and tool bits etc. in accordance with these instructions, taking into account the working conditions and the work to be performed.** *Use of the power tool for operations different from those intended could result in a hazardous situation.*
8. **Keep handles and grasping surfaces dry, clean and free from oil and grease.** *Slippery handles and grasping surfaces do not allow for safe handling and control of the tool in unexpected situations.*

V. Battery tool use and care

1. **Recharge only with the charger specified by the manufacturer.** *A charger that is suitable for one type of battery pack may create a risk of fire when used with another battery pack.*
2. **Use power tools only with specifically designated battery packs.** *Use of any other battery packs may create a risk of injury and fire.*
3. **When battery pack is not in use, keep it away from other metal objects, like paper clips, coins, keys, nails, screws or other small metal objects, that can make a connection from one terminal to another.** *Shorting the battery terminals together may cause burns or a fire.*
4. **Under abusive conditions, liquid may be ejected from the battery; avoid contact. If contact accidentally occurs, flush with water. If liquid contacts eyes, additionally seek medical help.** *Liquid ejected from the battery may cause irritation or burns.*
5. **Do not use a battery pack or tool that is damaged or modified.** *Damaged or modified batteries may exhibit unpredictable behavior resulting in fire, explosion or risk of injury.*
6. **Do not expose a battery pack or tool to fire or excessive temperature.** *Exposure to fire or temperature above 130 °C (265 °F) may cause explosion.*
7. **Follow all charging instructions and do not charge the battery pack or tool outside the temperature range specified in the instructions.** *Charging improperly or at temperatures outside the specified range may damage the battery and increase the risk of fire.*

VI. Service

1. **Have your power tool serviced by a qualified repair person using only identical replacement parts.** *This will ensure that the safety of the power tool is maintained.*
2. **Never service damaged battery packs.** *Service of battery packs should only be performed by the manufacturer or authorized service providers.*

VII. Chain saw safety

1. **Keep all parts of the body away from the saw chain when the chain saw is operating. Before you start the chain saw, make sure the saw chain is not contacting anything.** *A moment of inattention while operating chain saws may cause entanglement of your clothing or body with the saw chain.*
2. **Always hold the chain saw with your right hand on the rear handle and your left hand on the front handle.** *Holding the chain saw with a reversed hand configuration increases the risk of personal injury and should never be done.*
3. **Hold the chain saw by insulated gripping surfaces only, because the saw chain may contact hidden wiring.** *Saw chains contacting a "live" wire may make exposed metal parts of the chain saw "live" and could give the operator an electric shock.*
4. **Wear eye protection. Further protective equipment for hearing, head, hands, legs and feet is recommended.** *Adequate protective equipment will reduce personal injury from flying debris or accidental contact with the saw chain.*
5. **Do not operate a chain saw in a tree, on a ladder, from a rooftop, or any unstable support.** *Operation of a chain saw in this manner could result in serious personal injury.*
6. **Always keep proper footing and operate the chain saw only when standing on fixed, secure and level surface.** *Slippery or unstable surfaces such as ladders may cause a loss of balance or control of the chain saw.*
7. **When cutting a limb that is under tension, be alert for spring back.** *When the tension in the wood fibers is released, the spring loaded limb may strike the operator and/or throw the chain saw out of control.*
8. **Use extreme caution when cutting brush and saplings.** *The slender material may catch the saw chain and be whipped toward you or pull you off balance.*
9. **Carry the chain saw by the front handle with the chain saw switched off and away from your body. When transporting or storing the chain saw, always fit the guide bar cover and remove the battery.** *Proper handling of the chain saw will reduce the likelihood of accidental contact with the moving saw chain.*
10. **Follow instructions for lubricating, chain tensioning, and changing the bar and chain.** *Improperly tensioned or lubricated chain may either break or increase the chance for kickback.*
11. **Cut wood only. Do not use chain saw for purposes not intended. For example: do not use chain saw for cutting metal, plastic, masonry or non-wood building materials.** *Use of the chain saw for operations different than intended could result in a hazardous situation.*
12. **Do not attempt to fell a tree until you have an understanding of the risks and how to avoid them.** *Serious injury could occur to the operator or bystanders while felling a tree.*
13. **Follow all instructions when clearing jammed material, storing or servicing the chain saw. Make sure the switch is off and the battery pack is removed.** *Unexpected actuation of the machine while clearing jammed material or servicing may result in serious personal injury.*

14. **Causes and operator prevention of kickback.** *Kickback may occur when the nose or tip of the guide bar touches an object, or when the wood closes in and pinches the saw chain in the cut.*

Tip contact in some cases may cause a sudden reverse reaction, kicking the guide bar up and back towards the operator.

Pinching the saw chain along the top of the guide bar may push the guide bar rapidly back towards the operator.

Either of these reactions may cause you to lose control of the saw, which could result in serious personal injury. Do not rely exclusively upon the safety devices built into your saw. As a chain saw user, you should take several steps to keep your cutting jobs free from accident or injury.

Kickback is the result of chain saw misuse and/or incorrect operating procedures or conditions and can be avoided by taking proper precautions as given below:

- A. **Maintain a firm grip, with thumbs and fingers encircling the chain saw handles, with both hands on the saw and position your body and arm to allow you to resist kickback forces.** *Kickback forces can be controlled by the operator, if proper precautions are taken. Do not let go of the chain saw.*
- B. **Do not overreach and do not cut above shoulder height.** *This helps prevent unintended tip contact and enables better control of the chain saw in unexpected situations.*
- C. **Only use replacement guide bars and saw chains specified by the manufacturer.** *Incorrect replacement guide bars and saw chains may cause chain breakage and/or kickback.*
- D. **Follow the manufacturer's sharpening and maintenance instructions for the saw chain.** *Decreasing the depth gauge height can lead to increased kickback.*

Personal Protective Equipment

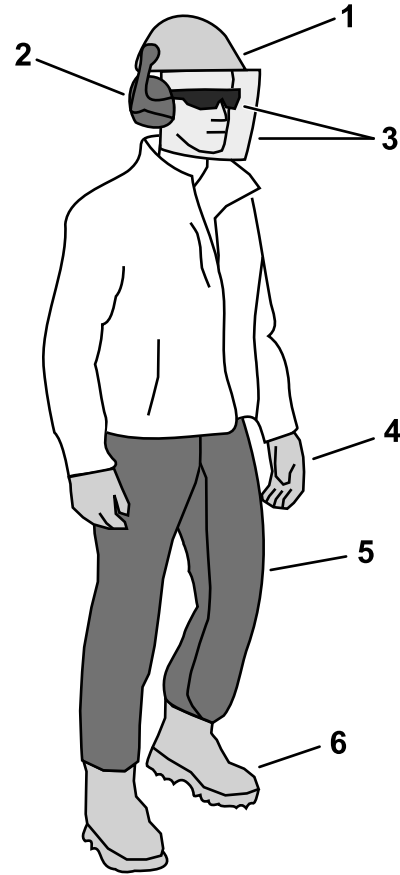


Figure 3

- | | |
|---|--|
| 1. Wear a hard hat in situations where debris may contact the head. | 4. Wear gloves |
| 2. Wear hearing protection | 5. Wear protective pants or chaps |
| 3. Wear safety glasses and/or a face shield | 6. Wear substantial, slip-resistant footwear |

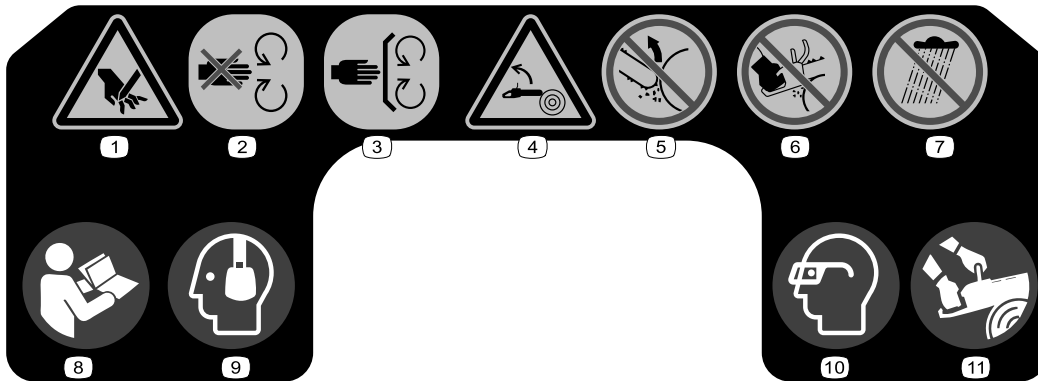
g316566

SAVE THESE INSTRUCTIONS

Safety and Instructional Decals



Safety decals and instructions are easily visible to the operator and are located near any area of potential danger. Replace any decal that is damaged or missing.



145-8273

decal145-8273

1. Cutting hazard of hand.
2. Stay away from moving parts.
3. Keep all guards and shields in place.
4. Kickback hazard
5. Do not contact objects with the guide bar tip.
6. Do not operate the chain saw holding it with one hand only.
7. Do not expose to rain.
8. Read the *Operator's Manual*.
9. Wear hearing protection.
10. Wear eye protection.
11. Always use 2 hands when operating the chain saw.



140-2163

decal140-2163



140-2167

decal145-2167



137-9454

decal137-9454



145-8271

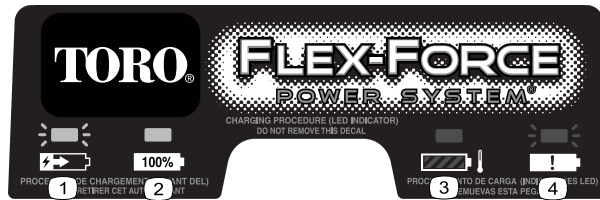
decal145-8271

1. Read the *Operator's Manual*.
2. Call2Recycle® battery recycling program
3. Keep away from open fire or flames.
4. Do not expose to rain.



137-9462

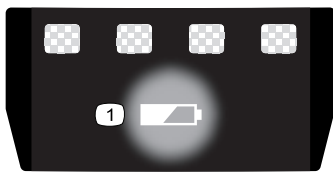
decal137-9462



137-9463

decal137-9463

1. The battery pack is charging.
2. The battery pack is fully charged.
3. The battery pack is over or under the appropriate temperature range.
4. Battery pack charging fault



137-9461

decal137-9461

1. Battery charge status

Setup

Important: The battery pack is not fully charged when it is purchased. Before using the machine for the first time, refer to [Charging the Battery Pack](#) (page 19).

Mounting the Battery Charger (Optional)

If desired, mount the battery charger securely on a wall using the wall-mount key holes on the back of the charger.

Mount it indoors (such as a garage or other dry place), near a power outlet, and out of the reach of children.

Refer to [Figure 1](#) for assistance in mounting the charger.

Slide the charger over the appropriately positioned hardware to secure the charger in place (hardware not included).

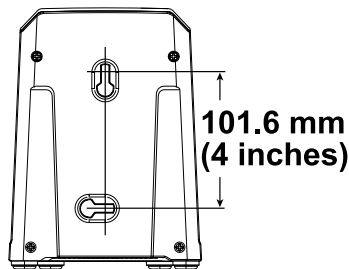


Figure 4

g290534

Filling the Chain Saw with Bar and Chain Oil

Important: Use only bar and chain oil (sold separately).

Fill the chain saw with bar and chain oil; refer to [Checking the Oil Level and Adding Bar and Chain Oil](#) (page 20).

Product Overview

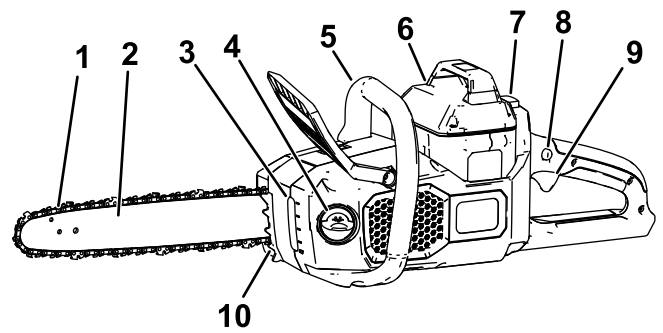


Figure 5

Left side shown

g315699

- | | |
|-----------------|-------------------|
| 1. Chain | 6. Battery pack |
| 2. Guide bar | 7. Button latch |
| 3. Oil window | 8. Trigger lock |
| 4. Oil cap | 9. Trigger |
| 5. Front handle | 10. Bucking teeth |

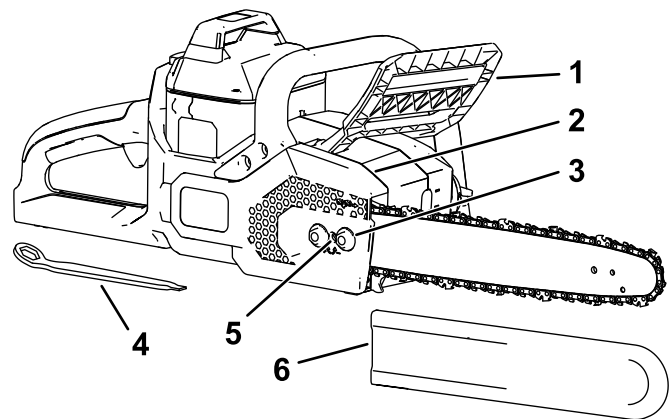


Figure 6

Right side shown

g315700

- | | |
|----------------------|--|
| 1. Chain brake | 4. Multitool (located beneath rear handle) |
| 2. Side cover | 5. Chain tensioning screw |
| 3. Captive cover nut | 6. Guide bar cover |

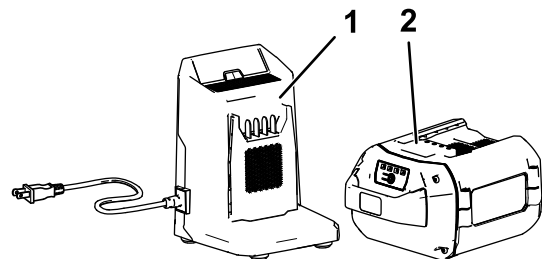


Figure 7

g355813

- | | |
|--|---|
| 1. Battery charger Model 88620 (included with Model 51850) | 2. Battery pack Model 88625 (included with Model 51850) |
|--|---|

Specifications

Model	51850/51850T
Bar Length (with 88613 and 88614 equipped)	40.6 cm (16 inches)
Chain Gauge (with 88613 and 88614 equipped)	0.043 inches
Chain Pitch (with 88613 and 88614 equipped)	3/8 inch
Chain Length (with 88613 and 88614 equipped)	56 links
Rated Voltage	60V DC maximum, 54 VDC nominal usage
Weight (without a battery)	4.35 kg (9.59 lb)
Charger Type	Toro 60V lithium-ion chargers
Battery Type	Toro 60V lithium-ion batteries

Appropriate Temperature Ranges

Charge/store the battery pack at	5°C (41°F) to 40°C (104°F)*
Use the battery pack at	-30°C (-22°F) to 49°C (120°F)*
Use the tool at	0°C (32°F) to 49°C (120°F)*

*Charging time will increase if you do not charge the battery within this range.

Store the tool, battery pack, and battery charger in an enclosed clean, dry area.

Attachments/Accessories

A selection of Toro approved attachments and accessories is available for use with the machine to enhance and expand its capabilities. Contact your Authorized Service Dealer or authorized Toro distributor or go to www.Toro.com for a list of all approved attachments and accessories.

To ensure optimum performance and continued safety certification of the machine, use only genuine Toro replacement parts and accessories. Replacement parts and accessories made by other manufacturers could be dangerous.

Operation

Before Using the Chain Saw

Before using the chain saw, do the following:

- Check the chain tension; refer to [Adjusting the Chain Tension \(page 22\)](#).
- Clean the chain saw components, inspect them for excessive wear or damage, and replace them as needed; refer to [Servicing the Guide Bar, Chain, and Drive Sprocket \(page 23\)](#).
- Check the chain for sharpness and damage, and sharpen or replace as needed; refer to [Sharpening the Chain \(page 24\)](#).
- Check the oil level; refer to [Checking the Oil Level and Adding Bar and Chain Oil \(page 20\)](#).
- Check the chain brake; refer to [Checking the Chain Brake \(page 21\)](#).
- Check the chain saw for damage, general appearance, and performance; ensure that the switches move freely, the vents and handles are clean, and the bar is not bent or damaged.

Starting the Chain Saw

1. Ensure that the vents on the chain saw are free from dust and debris ([Figure 8](#)).

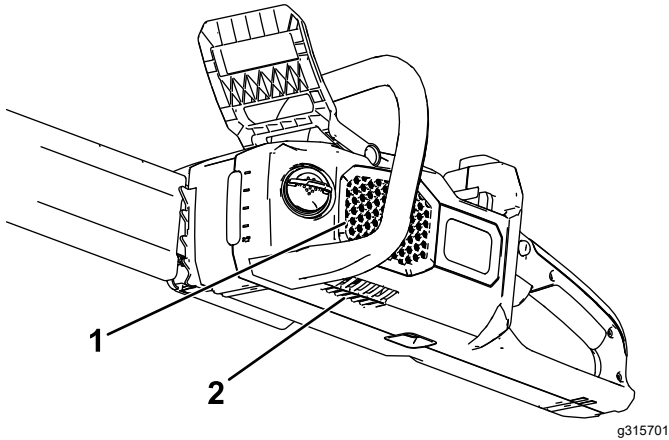


Figure 8

1. Side vent
2. Bottom vent

2. Set the chain saw down on a level surface.
3. Align the tongue of the battery pack with the battery cavity in the chain saw ([Figure 9](#)).

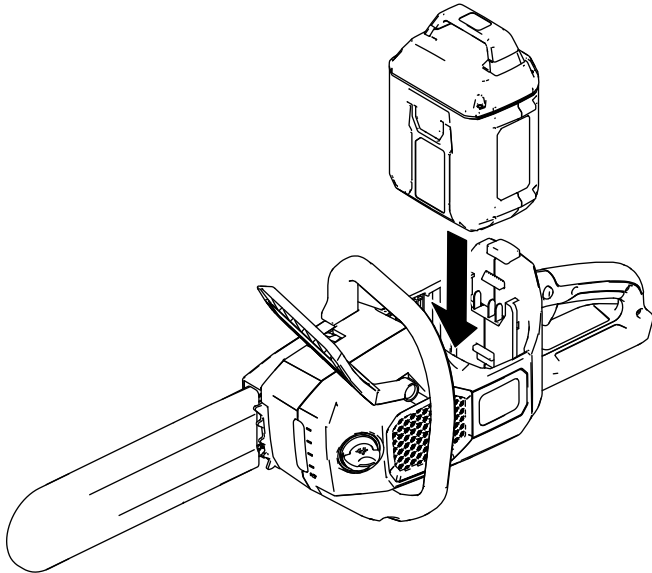


Figure 9

4. Push the battery pack into the battery cavity until the battery pack locks into place.
5. Remove the protective cover from the chain.
6. Ensure that the chain brake is in the OPERATING position ([Figure 10](#)).

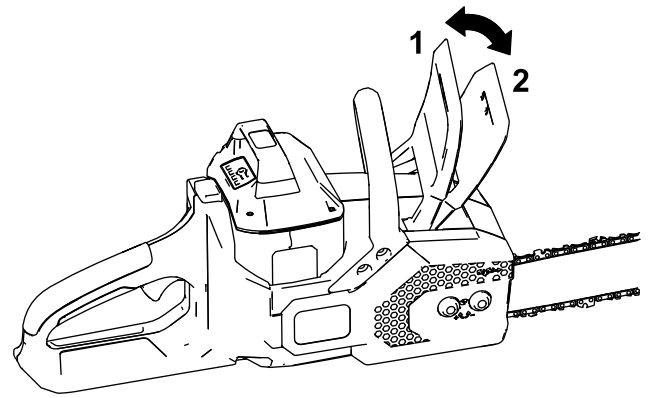


Figure 10

1. Chain brake (OPERATING position)
2. Chain brake (STOP position)

7. With your left hand on the front handle and your right hand on the rear handle, press the trigger lock, then squeeze the trigger ([Figure 11](#)).

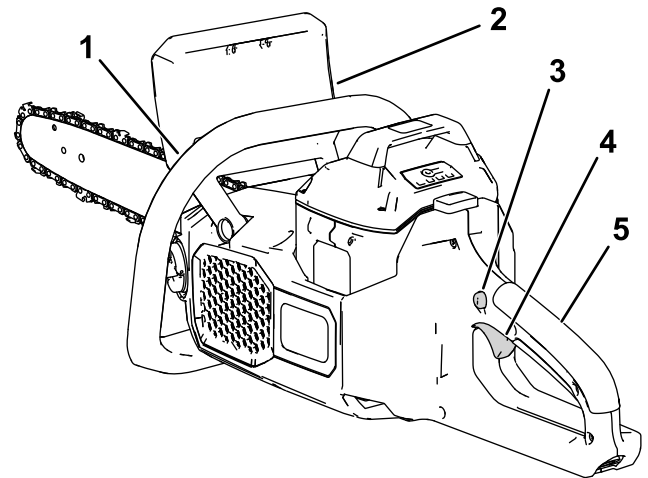


Figure 11

1. Front handle
2. Chain brake
3. Trigger lock
4. Trigger
5. Rear handle

Shutting Off the Chain Saw

To shut off the chain saw, release the trigger.

Whenever you are not using the saw or are transporting the saw to or from the work area, move the chain brake to the STOP position ([Figure 10](#)) and remove the battery pack.

Cutting with the Chain Saw

⚠ WARNING

Operating a chain saw improperly can cause serious personal injury or death.

Read and follow all operating instructions carefully to avoid possible personal injury.

⚠ WARNING

Kickback can cause serious or fatal injury to you.

Always ensure that the chain brake system is working properly before you operate the chain saw.

Avoid touching objects to be cut with the nose of the chain saw guide bar.

There are 2 types of kickback:

- A fast **upward** motion of the chain saw that results when the chain at the nose or top of the bar contacts an object
- A fast **backward** motion of the chain saw that results when the chain at the nose or top of the bar is pinched by the object being cut

Figure 12 shows the area of the bar to avoid contacting an object to prevent kickback.

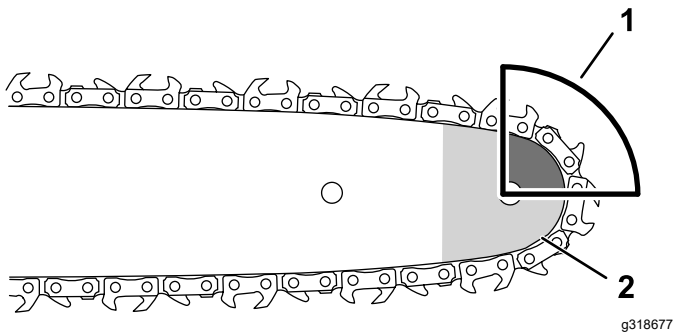


Figure 12

1. Kickback area (nose, top of the bar)
2. Nose of the bar

1. Grip the chain saw with 2 hands, with your left hand on the front handle and your right hand on the rear handle as shown in Figure 13.

Important: Keep your left arm straight with your elbow locked to help reduce kickback.

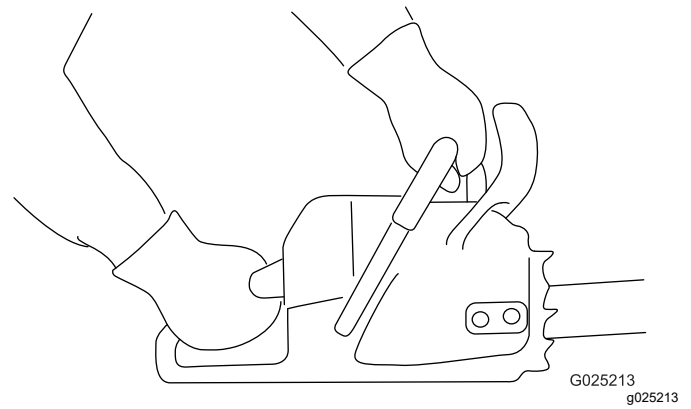


Figure 13

2. Stand on solid, even ground in front of the wood to be cut.
3. Stand to the **left side** of the chain saw, **not in line with the chain**, and position yourself for balanced, stable footing while cutting.

Important: Do not stand on the wood that you are cutting.

4. Ensure that you only cut the wood that you intend to cut; do not allow the saw chain to contact the earth, other logs, or any other objects when cutting.
5. Ensure that the saw chain is rotating at full speed before starting a cut.
6. Cut with the wood near the rear of the guide bar, close to the bucking teeth; press the chain saw lightly against the wood and allow the weight of the chain saw to drive the cutting.

Note: You can use the bucking teeth (Figure 14) to apply light pressure.

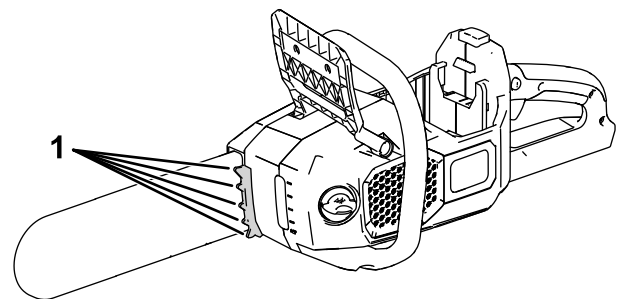


Figure 14

1. Bucking teeth
7. Keep steady pressure on the chain saw, cutting in a straight line, and release pressure only near the end of the cut.

Pruning a Tree

⚠ WARNING

Cutting higher limbs from a tree off the ground can put you in an unstable position that could be unsafe for you while handling a chain saw, resulting in possible serious personal injury or death to you or bystanders.

When cutting limbs from a standing tree, use the following practices:

- Do not climb on limbs or branches with a chain saw.
- Do not overreach, and cut with both hands on the chain saw.
- Ensure that all bystanders are away from the area where branches may fall.

1. Grip the chain saw as shown in [Figure 13](#).
2. While cutting small branches, apply light pressure to the branch to be cut.
3. While cutting larger branches, make a shallow undercut and then complete the cut from the topside of the branch.
 - A. Cut from the underside of the limb about 15 cm (6 inches) from the trunk. Cut a third of the way through the limb.
 - B. Cut 5.0 to 10.0 cm (2 to 4 inches) farther out on the limb and from above. Cut the limb until it falls.
 - C. Cut the limb stub at the branch collar ([Figure 15](#)).

Important: Do not cut the limb past the collar, flush to the trunk, or leave a large limb stub; this damages the tree.

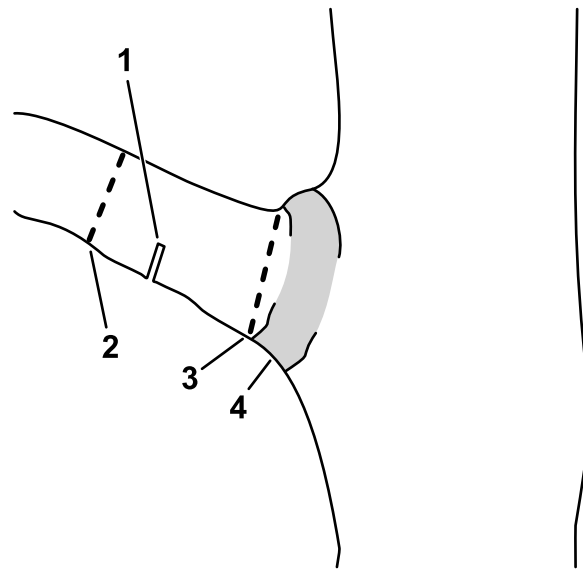


Figure 15

1. First relief undercut
2. Second through cut
3. Final pruning cut to remove the limb stub
4. Branch collar (where the trunk transitions to the limb)

Felling a Tree

⚠ WARNING

Cutting standing trees requires expertise and poses hazards.

- Before attempting to cut a big tree, practice cutting a few branches, limbs, or small logs to familiarize yourself with the chain saw.
- Do not use this chain saw to fell large trees with a diameter larger than the length of the guide bar.

⚠ DANGER

Loose or tangled limbs above you may be dislodged by vibration from cutting, causing severe injury or death.

Always look overhead for loose and tangled limbs before cutting; if you see any loose limbs or branches, remove them before cutting.

The proper operator stance for felling a tree is shown in [Figure 16](#).

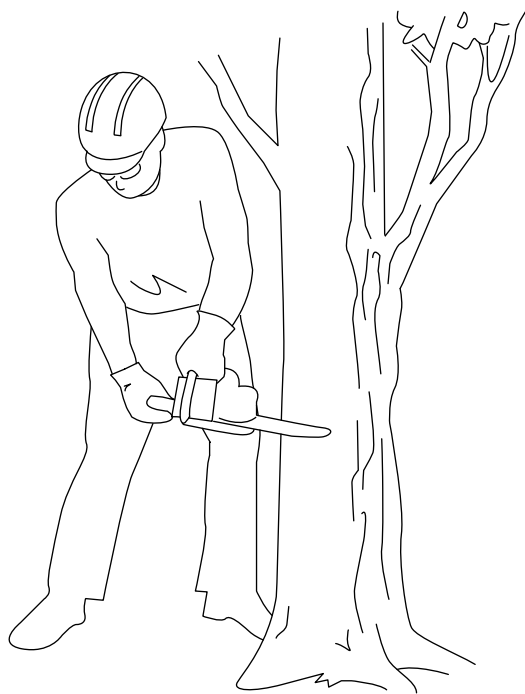


Figure 16

g195831

Note: Making this cut prevents the chain saw from being pinched while making the next cut.

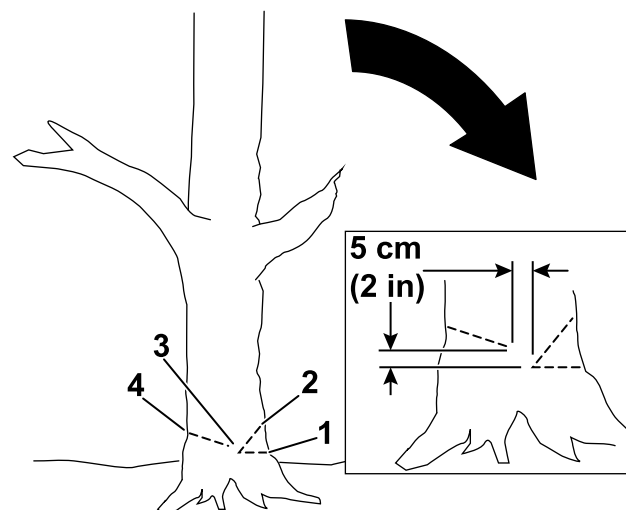


Figure 18

g228707

1. Determine the direction that the tree will fall. Take the following variables into consideration:
 - Wind direction
 - Heavier limbs on 1 side of the tree
 - Natural tilt of the tree (if any)
2. Determine a clear, safe retreat path away from the danger area; refer to Figure 17.

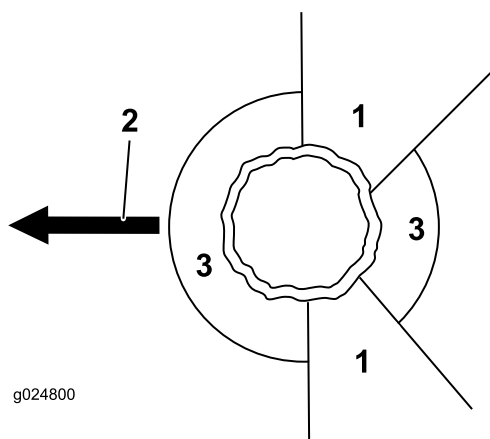


Figure 17

g024800

g024800

1. Retreat path (at a 45° angle opposite from the planned direction of fall)
2. Planned direction of fall
3. Danger area

3. Grip the chain saw as shown in (Figure 13).
4. Make the first cut a third of the way through the tree diameter on the side where you want the tree to fall (Figure 18).

1. First cut
2. Second cut
3. Hinge
4. Back cut

5. Make a second cut to form a notch, starting the cut at least 5 cm (2 inches) above and away from the first cut (Figure 18).

Important: Ensure that the first cut and the second cut meet at the same point, forming a clean notch.

6. Make the back cut from the opposite side of the notch and about 5 cm (2 inches) higher than the bottom of the notch as shown in Figure 18.

Important: Stop the third cut 2.5 to 5.0 cm (1 to 2 inches) from the notch to form a hinge between the cuts (Figure 18), which keeps the tree from falling in the wrong direction or twisting as it falls.

Note: As the back cut nears the hinge (Figure 18), the tree should begin to fall.

7. When the tree begins to fall, remove the chain saw, shut it off, put it down, and retreat along the path you determined in step 2.

Important: If the tree begins to fall in an undesired direction, immediately stop the cut, shut off the chain saw, put the chain saw down, and use a non-metallic wedge to open the back cut and push the tree in the desired direction.

Limbing a Fallen Tree

1. Grip the chain saw as shown in [Figure 13](#).
2. Moving from the base of the tree up, cut off the smaller limbs from the tree that are not supporting its weight off the ground ([Figure 19](#)).
3. Cut the larger limbs that support the weight of the tree from the bottom upward so that the limbs do not pinch the saw blade ([Figure 20](#)).

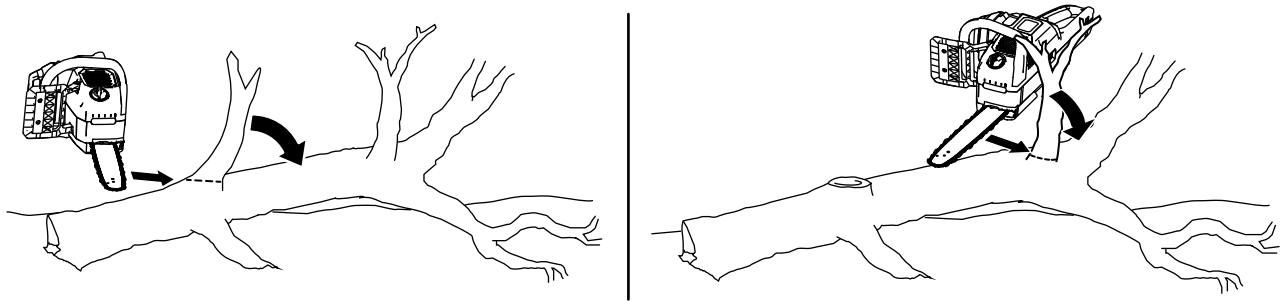


Figure 19

g316601

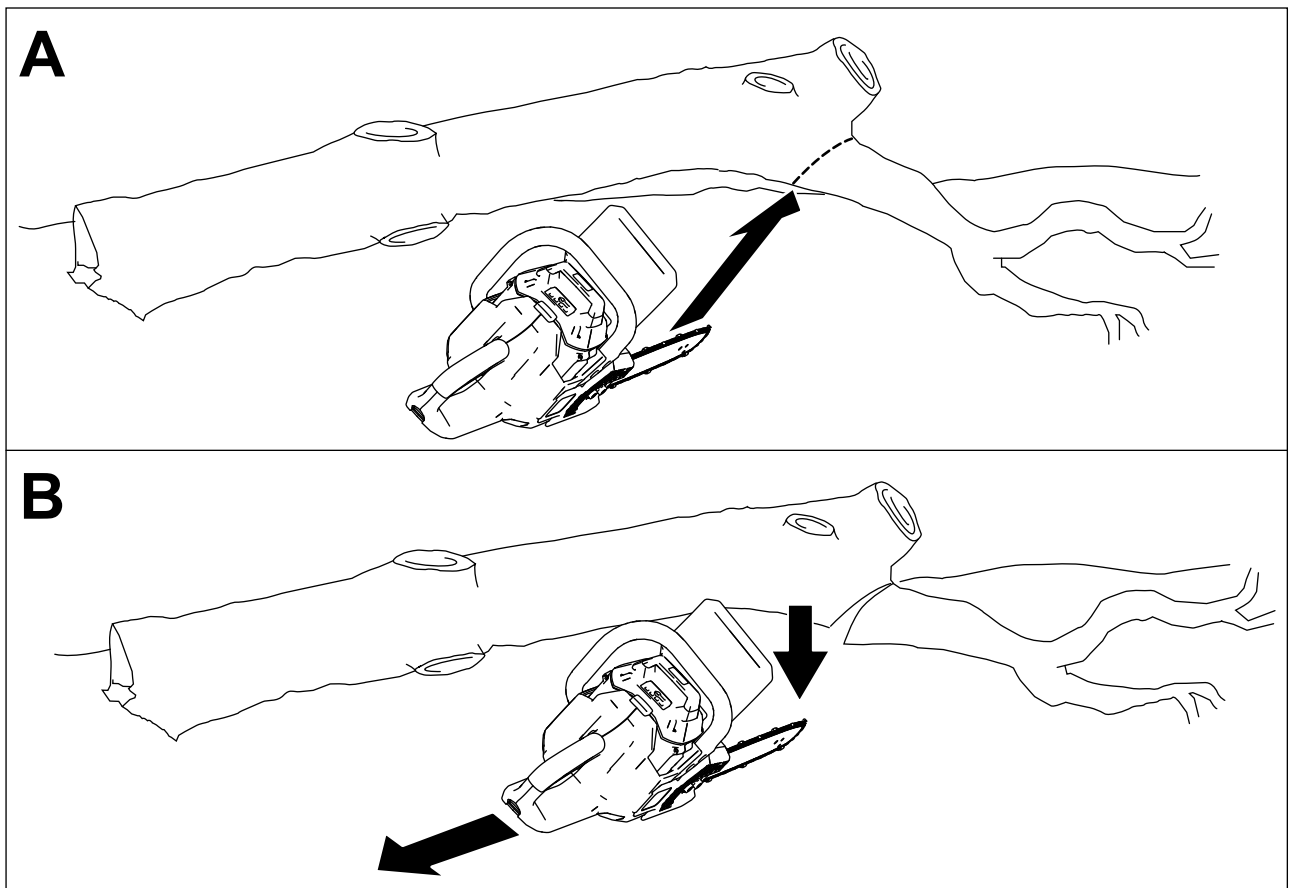


Figure 20

g315751

Bucking a Log

When bucking a log, note where the log is supported and where there is a load on the log. Cut the log so that when the ends fall, your guide bar will not be pinched between them.

Important: If the chain saw binds in the cut, do not attempt to free it by running the motor. Shut off the saw, remove the battery, then use a wedge to pry open the cut and release the saw.

If you are cutting branches from a fallen tree or cutting a log into lengths, support the log off the ground (preferably on a sawbuck).

- If the log is supported on both ends, but not in the middle, the load is on the center of the log.
 - Start from the top and cut about a third of the way through the log (Figure 21A).
 - Make a second cut from the underside to meet the first cut (Figure 21B). This keeps the log from pinching the saw.

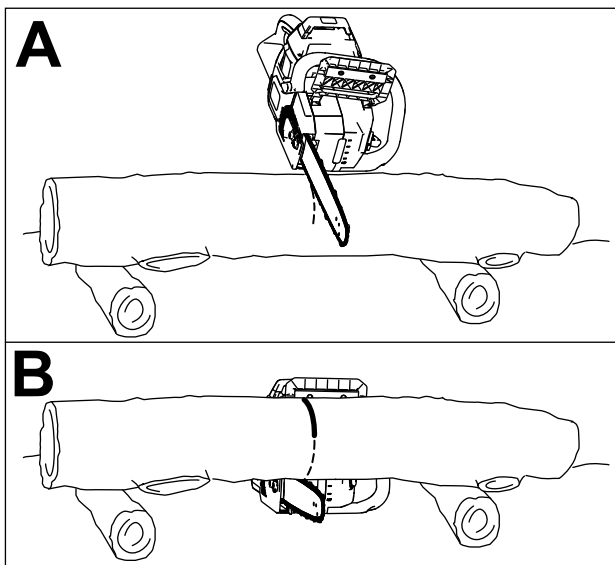


Figure 21

g315765

- If the log is supported on a single end, the load is on the free end of the log.
 - Start from the underside and cut about a third of the way through the log.
 - Make a second cut from the top to meet the first cut. This keeps the log from pinching the saw.
- If the log is supported off the ground along its entire length, without a heavy load on the log at any point, cut all the way through the log from the top.
- If the log is on a hill, always stand on the uphill side of the log (Figure 22).

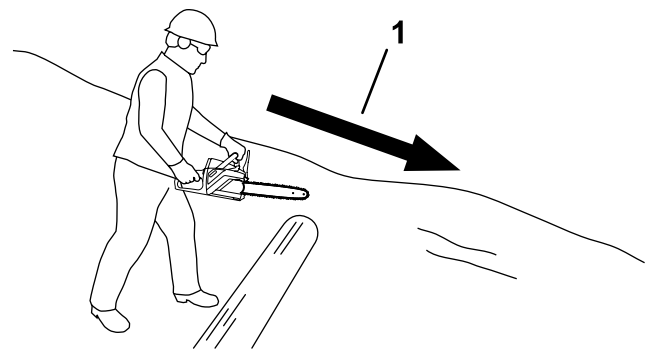


Figure 22

g315767

1. Direction of slope

- If the whole length of the log is supported on flat, level ground, cut a third of the diameter from the top, then roll the log over and make another cut to meet the first cut (Figure 23).

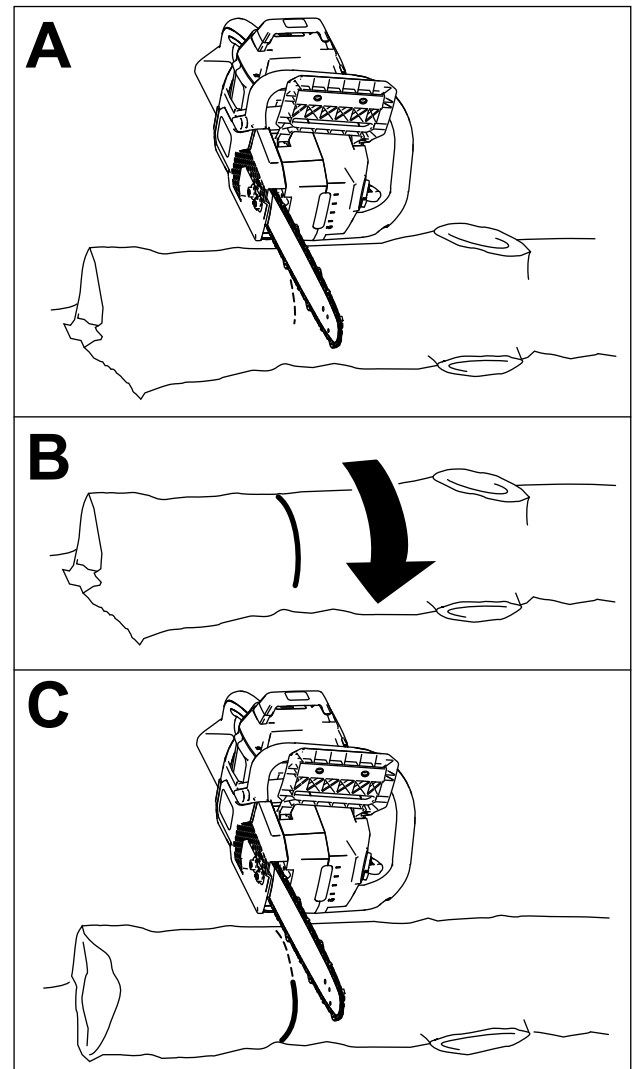


Figure 23

g315766

Installing the Battery Pack

Important: Use the battery pack only in temperatures that are within the appropriate range; refer to [Specifications \(page 11\)](#).

1. Set the chain saw down on a level surface.
2. Align the tongue of the battery pack with the battery cavity in the chain saw ([Figure 24](#)).

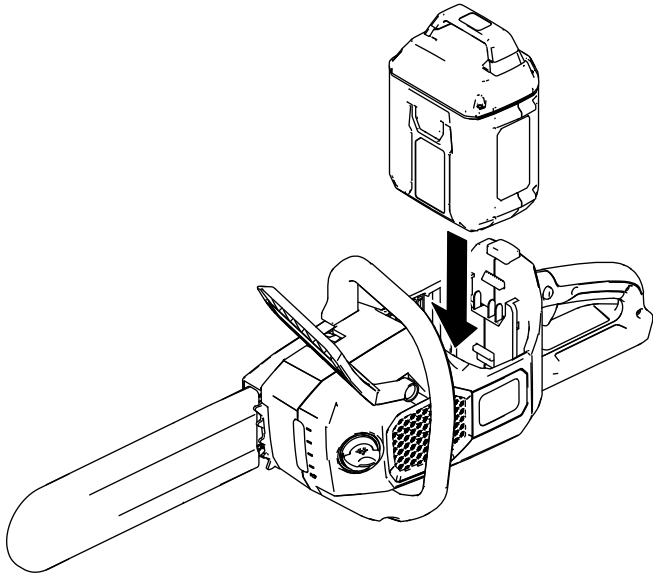


Figure 24

g315702

Removing the Battery Pack

1. Place the chain saw on a flat surface.
2. Press down on the latch and remove the battery pack from the cavity.

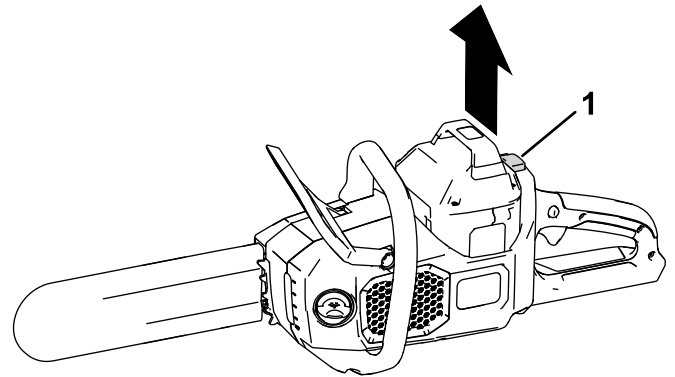


Figure 25

g315763

1. Latch

3. Push the battery pack into the battery cavity until the battery pack locks into place.

Charging the Battery Pack

Important: The battery pack is not fully charged when you purchase it. Before using the tool for the first time, place the battery pack in the charger and charge it until the LED display indicates the battery pack is fully charged. Read all safety precautions.

Important: Charge the battery pack only in temperatures that are within the appropriate range; refer to [Specifications \(page 11\)](#).

Note: At any time, press the battery-charge-indicator button on the battery pack to display the current charge (LED indicators).

1. Ensure that the vents on the battery and battery charger are clear of any dust and debris.

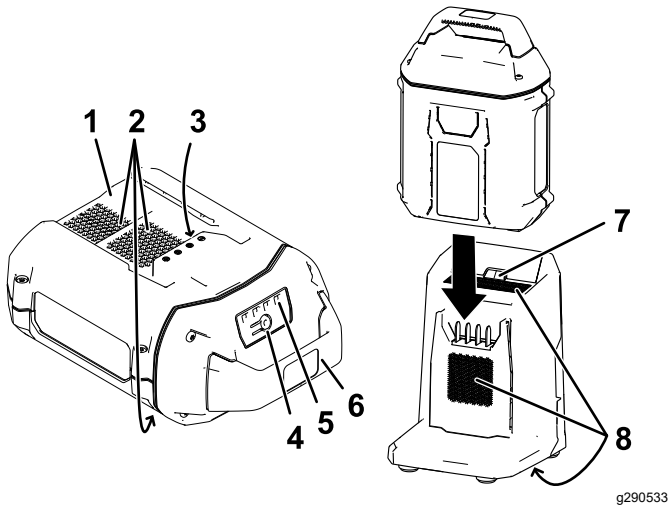


Figure 26

- | | |
|------------------------------------|------------------------------------|
| 1. Battery pack cavity | 5. LED indicators (current charge) |
| 2. Battery pack venting areas | 6. Handle |
| 3. Battery pack terminals | 7. Charger LED indicator light |
| 4. Battery-charge-indicator button | 8. Charger venting areas |
2. Line up the cavity in the battery pack ([Figure 26](#)) with the tongue on the charger.
 3. Slide the battery pack into the charger until it is fully seated ([Figure 26](#)).
 4. To remove the battery pack, slide the battery backward out of the charger.

5. Refer to the following table to interpret the LED indicator light on the battery charger.

Indicator light	Indicates
Off	No battery pack inserted
Green blinking	Battery pack is charging
Green	Battery pack is charged
Red	Battery pack and/or battery charger is over or under the appropriate temperature range
Red blinking	Battery pack charging fault*

*Refer to [Troubleshooting \(page 26\)](#) for more information.

Important: The battery can be left on the charger for short periods between uses.

If the battery will not be used for longer periods, remove the battery from the charger; refer to [Storage \(page 25\)](#).

Maintenance

Recommended Maintenance Schedule(s)

Maintenance Service Interval	Maintenance Procedure
Before each use or daily	<ul style="list-style-type: none">• Check the oil level and add bar and chain oil if necessary.• Check the chain brake.• Check that oil is flowing to the chain.• Check the chain tension and adjust it if necessary.• Ensure that the bar is straight and undamaged• Check the chain for sharpness; contact an Authorized Service Dealer to have the chain sharpened or replaced.
After each battery drain cycle	<ul style="list-style-type: none">• Check the oil level and add bar and chain oil if necessary.• Check the chain brake.• Check the chain tension and adjust it if necessary.
Yearly or before storage	<ul style="list-style-type: none">• Service the guide bar, chain, and drive sprocket.• Check the chain for sharpness; contact an Authorized Service Dealer to have the chain sharpened or replaced.

Checking the Oil Level and Adding Bar and Chain Oil

Service Interval: Before each use or daily

After each battery drain cycle

Important: Use only bar and chain oil (sold separately).

1. Shut off the chain saw and remove the battery pack; refer to [Removing the Battery Pack \(page 18\)](#).
2. Check the oil level in the window. If the oil does not fill the window, add bar and chain oil as needed ([Figure 27](#)).

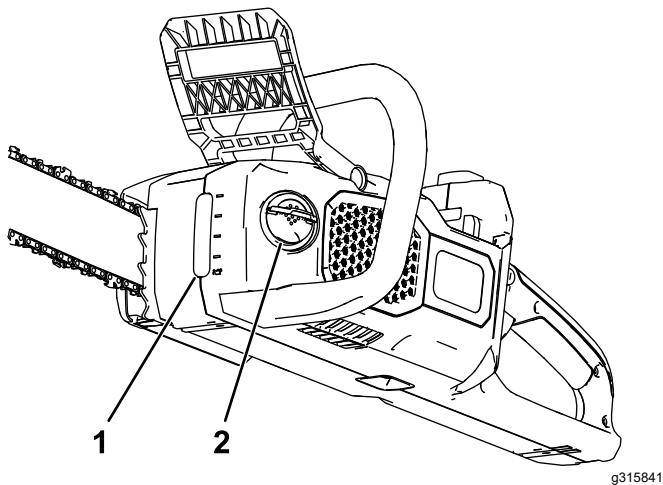


Figure 27

1. Oil window

2. Oil cap

3. Place the chain saw on a flat surface with the oil cap facing up.

4. Clean the area around the oil cap ([Figure 27](#)).

Note: Ensure that you do not allow debris/wood chips to enter the oil tank.

5. Unfold the wing-nut tab on the oil cap tab, remove the cap, and pour bar and chain oil into the chain saw until the oil fills the tank ([Figure 27](#)).

Important: Do not fill the chain saw higher than the bottom of the fill neck.

6. Clean up any spilled oil, secure the oil cap, and fold the wing-nut tab down.

7. Ensure that oil is flowing to the chain; refer to [Checking the Flow of Bar and Chain Oil \(page 21\)](#).

Checking the Chain Brake

Service Interval: Before each use or daily

After each battery drain cycle

1. Engage the chain brake by moving the chain brake forward to the STOP position (Figure 28).

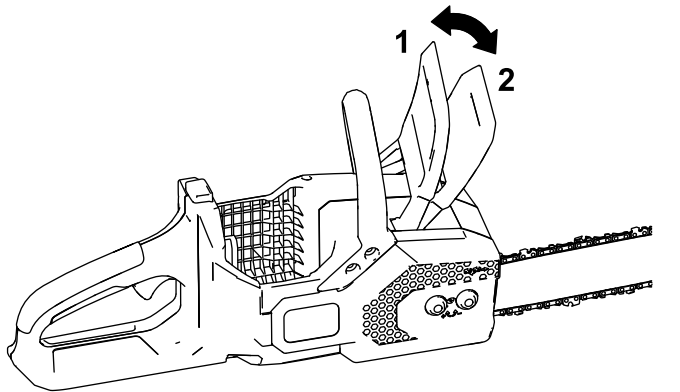


Figure 28

g315840

1. Chain brake (OPERATING position)
2. Chain brake (STOP position)

2. Prepare to test the chain saw operation; refer to [Before Using the Chain Saw \(page 11\)](#).
3. Attempt to start the chain saw. If it starts, take the chain saw to an Authorized Service Dealer for repair.
4. Disengage the chain brake by moving the chain brake rearward to the OPERATING position (Figure 28).

Checking the Flow of Bar and Chain Oil

Service Interval: Before each use or daily

1. Prepare to use the chain saw; refer to [Before Using the Chain Saw \(page 11\)](#).
2. To ensure that oil is flowing to the chain, point the nose of the chain saw a few inches from a surface (e.g. paper, cardboard, a stump) and run the chain saw; you should be able to see a light spray of oil on the surface (Figure 29).

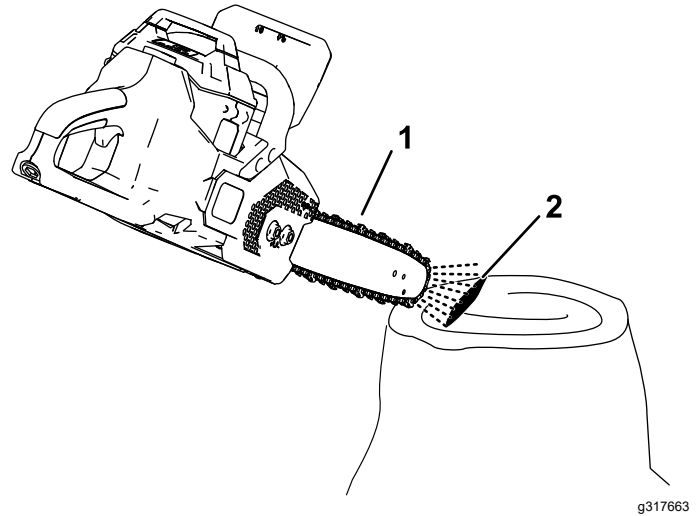


Figure 29

g317663

1. Run the chain saw a few inches from a surface.
2. If the oil is flowing, it will spray off the chain and accumulate.

3. If oil is not flowing, ensure that there is oil in the tank and that the area under the side cover is clean; refer to [Checking the Oil Level and Adding Bar and Chain Oil \(page 20\)](#) and [Servicing the Guide Bar, Chain, and Drive Sprocket \(page 23\)](#).

Adjusting the Chain Tension

Service Interval: Before each use or daily
After each battery drain cycle

Ensure that the chain is properly tensioned.

A loose chain shortens the life of the drive sprocket and the guide bar and may cause the chain to fall off.

An overtightened chain overheats the guide bar and chain, causing rapid wear, and may burn out the motor or break the chain.

The chain tension is correct when you are able to use a gloved hand to pull the chain smoothly around the guide bar. The chain should remain in contact with the bottom edge of the guide bar.

Also, check the chain tension of a new chain after a few cuts; a new chain usually stretches and requires adjustment after a few cuts.

⚠ DANGER

Contact with the chain saw teeth can cause serious personal injury.

- **Remove the battery pack before adjusting or maintaining the chain saw.**
- **Always wear gloves when adjusting or maintaining the chain saw.**

1. Place the chain saw on a level surface and remove the battery pack; refer to [Removing the Battery Pack \(page 18\)](#).
2. Allow the saw chain to cool.

Important: Do not tension a hot chain; it may contract as it cools, resulting in an overtightened chain.

3. Inspect the guide bar for bends or damage, replace if necessary.
4. Ensure that the chain brake is in the OPERATING position ([Figure 28](#)).
5. Using the onboard multitool, loosen the captive nuts on the side cover, but do not remove it ([Figure 31](#)).

6. Hold up the tip of the guide bar ([Figure 30](#)).

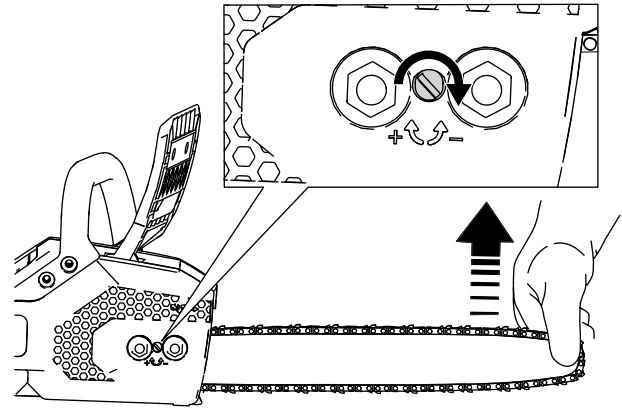


Figure 30

g315842

7. Using the onboard multitool, adjust the chain tension, and then secure the side cover to the chain saw by tightening the captive nuts ([Figure 31](#)).

- **To tighten the chain**, turn the chain tensioning screw clockwise ([Figure 30](#)).
- **To loosen the chain**, turn the chain tensioning screw counterclockwise

Adjust the chain tension until the chain touches the bottom edge of the guide bar, then pull the chain away from the bottom edge of the guide bar; a properly adjusted chain can only be pulled 3.2 to 6.4 mm (1/8 to 1/4 inch) away from the guide bar, and snaps back on release.

If the chain is not properly tensioned, loosen the side cover and repeat steps 5 through 7.

8. Use a gloved hand to pull the chain around the guide bar. A properly tensioned chain should move smoothly and remain in contact with the bottom edge of the guide bar.
9. Check the chain tension again and repeat this procedure if necessary.

Servicing the Guide Bar, Chain, and Drive Sprocket

Yearly or before storage

⚠ DANGER

Contact with the chain saw teeth can cause serious personal injury.

- Remove the battery pack before adjusting or maintaining the chain saw.
- Always wear gloves when adjusting or maintaining the chain saw.

1. Place the chain saw on a flat surface and remove the battery pack; refer to [Removing the Battery Pack \(page 18\)](#).
2. Remove the side cover by loosening the 2 captive nuts that secure the cover ([Figure 31](#)).

Note: The captive nuts do not separate from the side cover; loosen them until the cover can be removed.

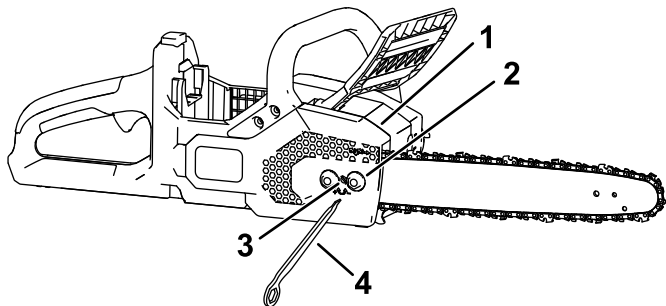


Figure 31

g315844

- | | |
|----------------|---------------------------|
| 1. Cover | 3. Chain tensioning screw |
| 2. Captive nut | 4. Multitool |

3. Loosen the chain by turning the chain-tightening screw counterclockwise ([Figure 31](#)).
4. Separate the chain from the guide bar and set them aside.
5. Remove the clip and drive sprocket from the chain saw ([Figure 32](#)).
6. Clean any debris from the area under the side cover.
7. Inspect the drive sprocket; if it is excessively worn or damaged, replace it.
8. Install the drive sprocket and clip.
9. Check the oil outlet ([Figure 32](#)) for debris and clean the area if necessary.

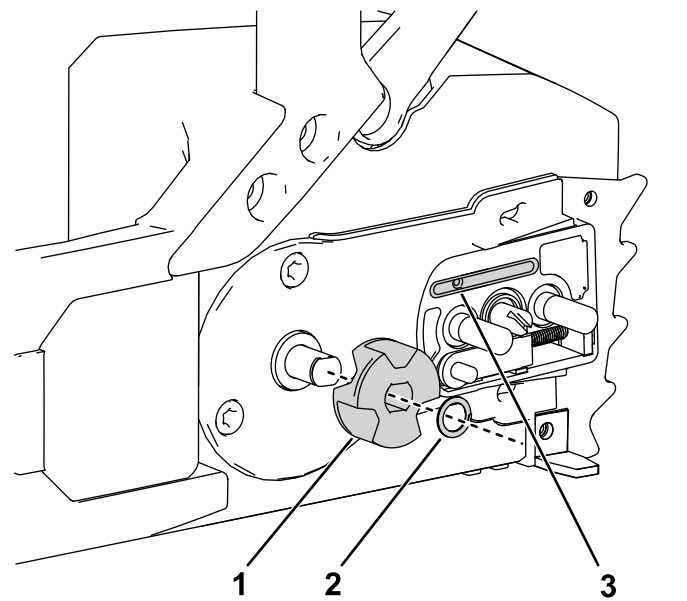


Figure 32

g315855

- | | |
|-------------------|---------------|
| 1. Drive sprocket | 3. Oil outlet |
| 2. Clip | |

10. Clean the guide bar and chain; use a wire or a small flat-head screwdriver to remove dirt and debris from the groove along the edge of the guide bar, starting from the sprocket on the front end and moving rearward.

Ensure that the oil channel in the bar that aligns with the oil outlet on the chain saw is clean so that oil can flow freely to the chain ([Figure 33](#)).

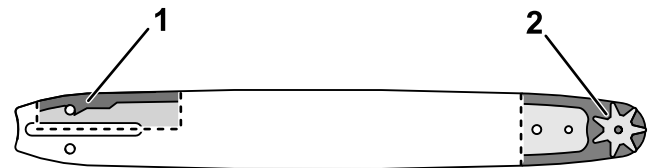


Figure 33

g315856

Internal sections of the guide bar shown

- | | |
|--|--|
| 1. Ensure that this channel connecting to the oil outlet is clean. | 2. Ensure that the bar sprocket is clean and rotates freely. |
|--|--|
11. Inspect the guide bar and chain; if the bar is bent, the grooves are damaged, or if the sprocket on the front end does not rotate freely, replace the guide bar; if the chain is excessively worn or damaged, replace it.
 12. Install the guide bar and chain; refer to [Installing the Guide Bar and Chain \(page 24\)](#).
 13. Ensure that oil is flowing to the chain; refer to [Checking the Flow of Bar and Chain Oil \(page 21\)](#).

Installing the Guide Bar and Chain

⚠ DANGER

Contact with the chain saw teeth can cause serious personal injury.

- Remove the battery pack before adjusting or maintaining the chain saw.
 - Always wear gloves when adjusting or maintaining the chain saw.
1. If the side cover is installed to the machine, loosen the 2 captive nuts securing the side cover to the machine and remove it (Figure 34A and Figure 34B).
 2. Place the chain around the drive sprocket on the front end of the guide bar, **with the cutting edge of the chain teeth on the top of the bar facing forward** as shown in the diagram on the side cover of the chain saw (Figure 34C).

3. Feed the chain around the guide bar and align the chain teeth into the groove of the bar.
- Note:** If you are installing a new chain, flip the guide bar to avoid uneven wear.
4. Position the open loop of the chain (not on the guide bar) around the drive sprocket on the chain saw and install the guide bar and attached chain onto the chain saw as shown in Figure 34C.

Important: Ensure that the chain adjusting stud is inserted into the hole indicated by the arrow in Figure 34C. You may need to rotate the chain tensioning knob to fit the stud into the hole in the guide bar.

5. Install the side cover, but do not fully tighten the captive nuts (Figure 34D).
6. Adjust the chain tension; refer to [Adjusting the Chain Tension](#) (page 22).

Sharpening the Chain

Yearly or before storage

A sharp chain ensures better cutting performance and longer battery life.

The chain needs to be sharpened or replaced if you must force it onto the wood, or if it produces sawdust instead of full wood chips.

Contact an Authorized Service Dealer to have the chain sharpened or replaced.

Service

Should the chain saw need service, take the tool to your Authorized Service Dealer.

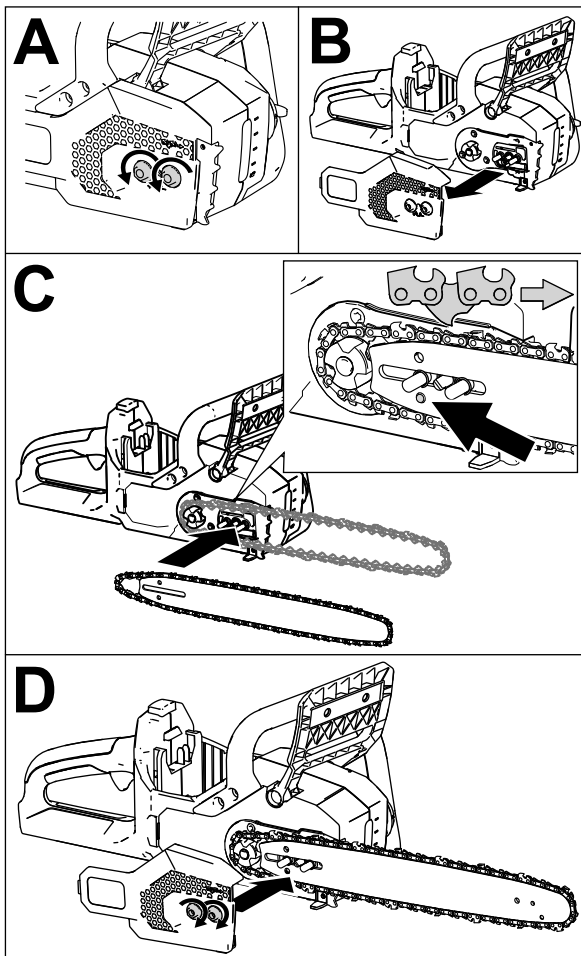


Figure 34

g315857

Storage

Important: Store the machine, battery pack, and charger only in temperatures that are within the appropriate range; refer to [Specifications \(page 11\)](#).

Important: If you are storing the battery pack for the off-season, charge it until 2 or 3 LED indicators turn green on the battery. Do not store a fully charged or fully depleted battery. When you are ready to use the machine again, charge the battery pack until the left indicator light turns green on the charger or all 4 LED indicators turn green on the battery.

- Disconnect the machine from the power supply (i.e., remove the battery pack) and check for damage after use.
- Clean all foreign material from the machine.
- Do not store the machine with the battery pack installed.
- Store the machine, battery pack, and battery charger in a well-ventilated place that is inaccessible to children.
- Keep the machine, battery pack, and battery charger away from corrosive agents such as garden chemicals and de-icing salts.
- To reduce the risk of serious personal injury, do not store the battery pack outside or in vehicles.
- Store the machine, battery pack, and battery charger in an enclosed clean, dry area.

Preparing the Battery Pack for Recycling

Important: Upon removal, cover the terminals of the battery pack with heavy-duty adhesive tape. Do not attempt to destroy or disassemble the battery pack or remove any of its components.



Lithium-ion battery packs labeled with the Call2Recycle seal can be recycled at any participating retailer or battery recycling facility in the Call2Recycle program (US and Canada only). To locate a participating retailer or facility closest to you, please call 1-800-822-8837 or visit www.call2recycle.org. If you cannot locate a participating retailer or facility nearby, or if your rechargeable battery is not labeled with the Call2Recycle seal, please contact your local municipality for more information on how to responsibly recycle the battery. If you are located outside of the US and Canada, please contact your authorized Toro distributor.

Troubleshooting

Perform only the steps described in these instructions. All further inspection, maintenance, and repair work must be performed by an authorized service center or a similarly qualified specialist if you cannot solve the problem yourself.

Always remove the battery from the tool when troubleshooting, inspecting, maintaining, or cleaning the tool.

Problem	Possible Cause	Corrective Action
The chain saw does not run or does not run continuously.	<ol style="list-style-type: none"> 1. The battery pack is low on charge. 2. The battery pack is not fully seated. 3. The battery pack is over or under the appropriate temperature range. 4. The battery pack has exceeded high amperage limits. 5. There is moisture on the leads of the battery pack. 6. The chain brake is engaged. 7. There is debris under the cover. 	<ol style="list-style-type: none"> 1. Charge the battery pack. 2. Ensure that the battery pack is inserted all the way into the housing. 3. Move the battery pack to a place where it is dry and the temperature is between 5°C (41°F) and 40°C (104°F). 4. Release the trigger, then press the trigger switch. 5. Allow the battery pack to dry or wipe it dry. 6. Disengage the chain brake by moving the chain brake rearward. 7. Remove the cover and clean out any debris.
The chain saw runs, but the chain does not rotate.	<ol style="list-style-type: none"> 1. The chain is not properly seated on the drive sprocket. 2. There is debris under the cover. 	<ol style="list-style-type: none"> 1. Install the chain and ensure that the links are properly seated in the drive sprocket. 2. Remove the cover and clean out any debris.
The chain brake does not engage.	<ol style="list-style-type: none"> 1. The chain brake is damaged. 	<ol style="list-style-type: none"> 1. Immediately take the chain saw to a Authorized Service Dealer.
The chain saw does not properly cut.	<ol style="list-style-type: none"> 1. The chain is not tensioned correctly. 2. The chain is dull or damaged. 3. The guide bar is bent or the grooves are damaged. 4. The chain is installed backward. 5. The chain is not being lubricated properly. 	<ol style="list-style-type: none"> 1. Set the proper tension on the chain. 2. Replace the chain. 3. Replace the guide bar 4. Install the chain correctly. 5. Check the oil level and ensure that oil is flowing to the chain.
The chain oil is not lubricating properly.	<ol style="list-style-type: none"> 1. The oil level is low. 2. The oil outlet is plugged. 3. There is debris under the cover. 4. The oil channel or groove in the guide bar is plugged. 	<ol style="list-style-type: none"> 1. Check the oil level. 2. Clean out debris from the oil outlet. 3. Remove the cover and clean out any debris. 4. Clean out debris in the bar.
The battery pack loses charge quickly.	<ol style="list-style-type: none"> 1. The battery pack is over or under the appropriate temperature range. 2. The chain is dull or damaged. 3. The guide bar is bent or the grooves are damaged. 4. The machine is overloaded. 5. The chain is not being lubricated properly. 	<ol style="list-style-type: none"> 1. Move the battery pack to a place where it is dry and the temperature is between 5°C (41°F) and 40°C (104°F). 2. Replace the chain. 3. Replace the guide bar 4. Apply less pressure when cutting. 5. Check the oil level and ensure that oil is flowing to the chain.

Problem	Possible Cause	Corrective Action
The battery charger is not working.	<ol style="list-style-type: none"> 1. The battery charger is over or under the appropriate temperature range. 2. The outlet that the battery charger is plugged into does not have power. 	<ol style="list-style-type: none"> 1. Unplug the battery charger and move it to a place where it is dry and the temperature is between 5°C (41°F) and 40°C (104°F). 2. Contact your licensed electrician to repair the outlet.
The LED indicator light on the battery charger is red.	<ol style="list-style-type: none"> 1. The battery charger and/or battery pack is over or under the appropriate temperature range. 	<ol style="list-style-type: none"> 1. Unplug the battery charger and move the battery charger and battery pack to a place where it is dry and the temperature is between 5°C (41°F) and 40°C (104°F).
The LED indicator light on the battery charger is blinking red.	<ol style="list-style-type: none"> 1. There is an error in the communication between the battery pack and the charger. 2. The battery pack is weak. 	<ol style="list-style-type: none"> 1. Remove the battery pack from the battery charger, unplug the battery charger from the outlet, and wait 10 seconds. Plug the battery charger into the outlet again and place the battery pack on the battery charger. If the LED indicator light on the battery charger is still blinking red, repeat this procedure again. If the LED indicator light on the battery charger is still blinking red after 2 attempts, properly dispose of the battery pack at a battery recycling facility. 2. Contact your authorized service dealer if the battery is in warranty, or properly dispose of the battery pack at a battery recycling facility.

California Proposition 65 Warning Information

What is this warning?

You may see a product for sale that has a warning label like the following:



WARNING: Cancer and Reproductive Harm—www.p65Warnings.ca.gov.

What is Prop 65?

Prop 65 applies to any company operating in California, selling products in California, or manufacturing products that may be sold in or brought into California. It mandates that the Governor of California maintain and publish a list of chemicals known to cause cancer, birth defects, and/or other reproductive harm. The list, which is updated annually, includes hundreds of chemicals found in many everyday items. The purpose of Prop 65 is to inform the public about exposure to these chemicals.

Prop 65 does not ban the sale of products containing these chemicals but instead requires warnings on any product, product packaging, or literature with the product. Moreover, a Prop 65 warning does not mean that a product is in violation of any product safety standards or requirements. In fact, the California government has clarified that a Prop 65 warning "is not the same as a regulatory decision that a product is 'safe' or 'unsafe.'" Many of these chemicals have been used in everyday products for years without documented harm. For more information, go to <https://oag.ca.gov/prop65/faqs-view-all>.

A Prop 65 warning means that a company has either (1) evaluated the exposure and has concluded that it exceeds the "no significant risk level"; or (2) has chosen to provide a warning based on its understanding about the presence of a listed chemical without attempting to evaluate the exposure.

Does this law apply everywhere?

Prop 65 warnings are required under California law only. These warnings are seen throughout California in a wide range of settings, including but not limited to restaurants, grocery stores, hotels, schools, and hospitals, and on a wide variety of products. Additionally, some online and mail order retailers provide Prop 65 warnings on their websites or in catalogs.

How do the California warnings compare to federal limits?

Prop 65 standards are often more stringent than federal and international standards. There are various substances that require a Prop 65 warning at levels that are far lower than federal action limits. For example, the Prop 65 standard for warnings for lead is 0.5 µg/day, which is well below the federal and international standards.

Why don't all similar products carry the warning?

- Products sold in California require Prop 65 labelling while similar products sold elsewhere do not.
- A company involved in a Prop 65 lawsuit reaching a settlement may be required to use Prop 65 warnings for its products, but other companies making similar products may have no such requirement.
- The enforcement of Prop 65 is inconsistent.
- Companies may elect not to provide warnings because they conclude that they are not required to do so under Prop 65; a lack of warnings for a product does not mean that the product is free of listed chemicals at similar levels.

Why does the manufacturer include this warning?

the manufacturer has chosen to provide consumers with as much information as possible so that they can make informed decisions about the products they buy and use. the manufacturer provides warnings in certain cases based on its knowledge of the presence of one or more listed chemicals without evaluating the level of exposure, as not all the listed chemicals provide exposure limit requirements. While the exposure from the manufacturer products may be negligible or well within the "no significant risk" range, out of an abundance of caution, the manufacturer has elected to provide the Prop 65 warnings. Moreover, if the manufacturer does not provide these warnings, it could be sued by the State of California or by private parties seeking to enforce Prop 65 and subject to substantial penalties.



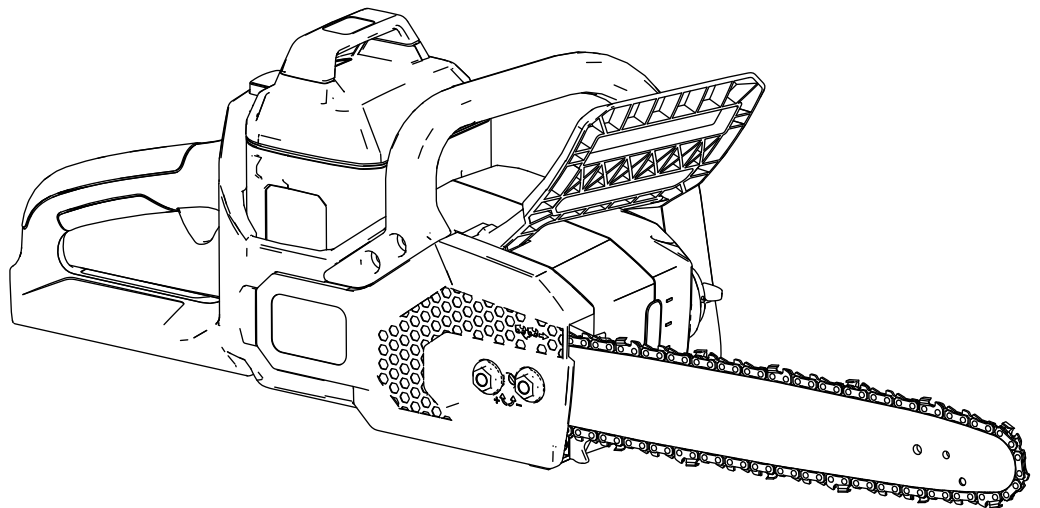
Count on it.

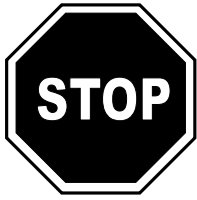
Manual del operador

Motosierra 60 V MAX de 41 cm (16") con Flex-Force Power System™

Nº de modelo 51850—Nº de serie 323000001 y superiores

Nº de modelo 51850T—Nº de serie 323000001 y superiores





Si necesita ayuda, consulte los videos instruccionales en www.Toro.com/support o llame al 1-888-384-9939 antes de devolver este producto.

⚠ ADVERTENCIA

CALIFORNIA

Advertencia de la Propuesta 65

El cable eléctrico de este producto contiene plomo, que el Estado de California sabe que causa defectos congénitos u otros peligros para la reproducción. Lávese las manos después de manejar el material.

El uso de este producto puede provocar la exposición a sustancias químicas que el Estado de California considera causantes de cáncer, defectos congénitos u otros trastornos del sistema reproductor.

Cuando necesite asistencia técnica, piezas genuinas Toro o información adicional, póngase en contacto con un Servicio Técnico Autorizado o con Atención al cliente de Toro, y tenga a mano los números de modelo y serie de su producto. **Figura 1** identifica la ubicación de los números de modelo y serie en el producto. Escriba los números en el espacio provisto.

Importante: Con su dispositivo móvil, puede escanear el código QR (en su caso) de la place del número de serie para acceder a información sobre la garantía, las piezas, y otra información sobre el producto.

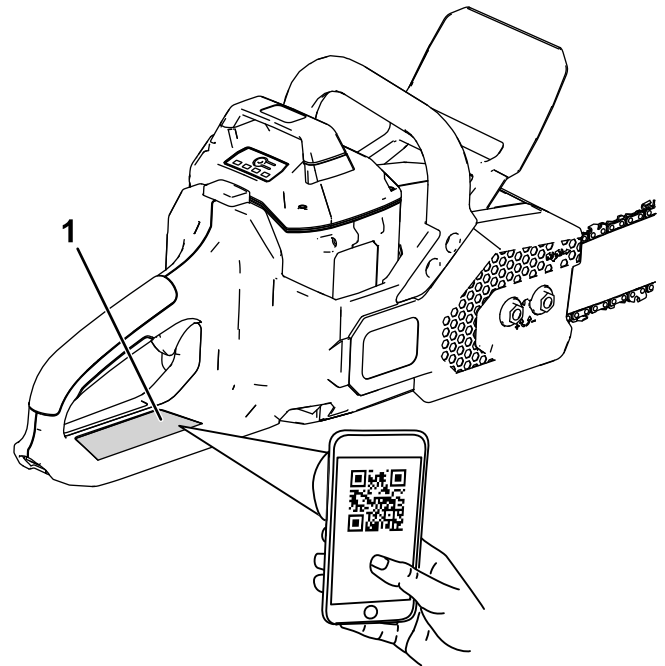


Figura 1

g425184

Introducción

Esta motosierra está diseñada para cortar ramas de árboles, troncos y vigas de madera de un diámetro no mayor que la longitud de corte de la espada. Debe ser utilizada únicamente por adultos. Está diseñada para usar baterías de ion litio de 60 V de Toro. Estas baterías están diseñadas para ser cargadas únicamente con cargadores de batería de ion litio de 60 V de Toro. El uso de estos productos para propósitos diferentes a los previstos puede ser peligroso para usted y para otras personas.

El Modelo 51850T no incluye batería ni cargador.

Lea este manual detenidamente para aprender a utilizar y mantener correctamente su producto, y para evitar lesiones y daños al producto. Usted es responsable de utilizar el producto de forma correcta y segura.

Visite www.Toro.com para obtener más información, incluidos consejos de seguridad, materiales de formación, información sobre accesorios, ayuda para encontrar a un distribuidor o para registrar su producto.

Nº de modelo	_____
Nº de serie	_____

Símbolo de alerta de seguridad

El símbolo de alerta de seguridad (Figura 2) que aparece en este manual y en la máquina identifica mensajes de seguridad importantes que usted debe observar para evitar accidentes.



Figura 2

Símbolo de alerta de seguridad

g000502

El símbolo de alerta de seguridad aparece encima de información que le alerta ante acciones o situaciones inseguras, y va seguido de la palabra **PELIGRO**, **ADVERTENCIA**, o **CUIDADO**.

PELIGRO: Indica una situación peligrosa inminente, que si no se evita, **causará** la muerte o lesiones graves.

ADVERTENCIA indica una situación potencialmente peligrosa que si no se evita, **podría** causar la muerte o lesiones graves.

CUIDADO: Indica una situación potencialmente peligrosa que si no se evita, **podría** causar lesiones menores o moderadas.

Este manual utiliza dos palabras más para resaltar información. **Importante** llama la atención sobre información mecánica especial, y **Nota** resalta información general que merece una atención especial.

Contenido

Símbolo de alerta de seguridad	3
Seguridad	4
.....	4
.....	7
Equipos de protección personal.....	9
Pegatinas de seguridad e instrucciones	10
Montaje	12
Cómo montar el cargador de la batería (opcional).....	12
Llenado de la motosierra con aceite para cadenas de motosierra.....	12
El producto	12
Especificaciones	13
Accesorios.....	13
Operación	14
Antes de usar la motosierra	14
Cómo arrancar la motosierra	15
Cómo parar la motosierra	15
Cómo cortar con la motosierra	16
Cómo podar árboles	17
Tala de árboles	17
Desrame de un árbol caído	19
Trozado	20
Instalación de la batería.....	21
Cómo retirar la batería	22
Carga de la batería	22
Mantenimiento	24
Calendario recomendado de manteni- miento	24
Cómo comprobar el nivel de aceite y añadir aceite para cadenas.....	24
Comprobación del freno de la cadena.....	25
Comprobación del flujo de aceite de la cadena	26
Ajuste de la tensión de la cadena	27
Mantenimiento de la espada, la cadena y el piñón de arrastre.....	28
Instalación de la espada y la cadena.....	30
Cómo afilar la cadena	31
Mantenimiento.....	31
Almacenamiento	31
Preparación de la batería para el reciclado	32
Solución de problemas	33

Seguridad

⚠ ADVERTENCIA

Lea todas las instrucciones, ilustraciones, especificaciones y advertencias de seguridad proporcionadas con esta herramienta eléctrica.

El hacer caso omiso de todas las instrucciones enumeradas a continuación puede dar lugar a descargas eléctricas, incendios y/o lesiones graves.

Guarde todas las advertencias e instrucciones para su referencia futura.

El término “herramienta eléctrica” que aparece en las advertencias se refiere siempre a una herramienta accionada por el suministro eléctrico de la red (con cable) o una herramienta eléctrica accionada por batería (sin cable).

INSTRUCCIONES DE SEGURIDAD IMPORTANTES

I. Seguridad de la zona de trabajo

1. **Mantenga la zona de trabajo limpia y bien iluminada.** *Las zonas desordenadas u oscuras son una invitación al accidente.*
2. **No utilice herramientas eléctricas en atmósferas explosivas, como por ejemplo en presencia de líquidos inflamables, gases o polvo.** *Las herramientas eléctricas crean chispas que pueden inflamar el polvo o los vapores.*
3. **Mantenga alejados a niños y otras personas mientras utiliza una herramienta eléctrica.** *Las distracciones pueden hacer que pierda el control.*

II. Seguridad eléctrica

1. **La clavija de la herramienta eléctrica debe ser del tipo correcto para el enchufe. Nunca modifique el enchufe en modo alguno. No utilice ningún tipo de adaptadores de enchufe con herramientas eléctricas con toma de tierra.** *El uso de clavijas sin modificar y enchufes apropiados reducirá el riesgo de descarga eléctrica.*
2. **Evite tocar superficies conectadas a tierra, tales como tuberías, radiadores, cocinas y refrigeradores.** *Hay un mayor riesgo de descarga eléctrica si su cuerpo hace tierra.*

3. **No exponga las herramientas eléctricas a la lluvia o a condiciones húmedas.** *Si entra agua en una herramienta eléctrica, el riesgo de descarga eléctrica aumenta.*
4. **No maltrate el cable. No utilice el cable nunca para transportar, arrastrar o desenchufar la herramienta eléctrica. Mantenga el cable alejado del calor, del aceite, de bordes cortantes y de piezas móviles.** *Los cables dañados o enredados aumentan el riesgo de descarga eléctrica.*

5. **Si utiliza una herramienta eléctrica en el exterior, utilice un cable alargador adecuado para el uso en exteriores.** *El uso de un cable apropiado para el uso en exteriores reduce el riesgo de descarga eléctrica.*
6. **Si no es posible evitar el uso de una herramienta eléctrica en un lugar húmedo, utilice un suministro eléctrico protegido por un dispositivo de corriente residual (RCD).** *El uso de un RCD reduce el riesgo de descarga eléctrica.*

correctamente. *El uso de dispositivos de recolección de polvo puede reducir los riesgos asociados con el polvo.*

8. **No deje que la familiaridad adquirida con el uso frecuente de las herramientas le haga confiarse demasiado y pasar por alto los principios de seguridad de las herramientas.** *Una acción descuidada puede causar lesiones graves en una fracción de un segundo.*

III. Seguridad personal

1. **Manténgase alerta, esté atento a lo que está haciendo y utilice el sentido común mientras utiliza una herramienta eléctrica. No utilice un herramienta eléctrica si está cansado o bajo la influencia de drogas, alcohol o medicamentos.** *Una breve falta de atención mientras utiliza una herramienta eléctrica podría provocar lesiones personales graves.*
2. **Utilice equipos de protección personal. Lleve siempre protección ocular.** *El uso de equipos de protección personal como mascarillas, calzado de seguridad antideslizante, casco y protección auditiva en condiciones apropiadas reduce el riesgo de lesiones personales.*
3. **Evite el encendido accidental. Asegúrese de que el interruptor está en la posición de APAGADO antes de conectar la herramienta a la toma de corriente y/o a la batería, y antes de levantar o transportar la herramienta.** *Transportar las herramientas eléctricas con el dedo sobre el interruptor o enchufar herramientas eléctricas con el interruptor en la posición de encendido es una invitación al accidente.*
4. **Retire cualquier llave de ajuste antes de encender la herramienta eléctrica.** *Una llave olvidada en un componente giratorio de una herramienta eléctrica puede dar lugar a lesiones personales.*
5. **No intente alcanzar zonas demasiado alejadas. Pise firme y mantenga el equilibrio en todo momento.** *Esto permite un mayor control de la herramienta en situaciones imprevistas.*
6. **Utilice la ropa adecuada. No lleve ropas o joyas sueltas. Mantenga el pelo y la ropa alejados de las piezas móviles.** *La ropa suelta, las joyas y el pelo largo pueden quedar atrapados en piezas móviles.*
7. **Si existen dispositivos para la conexión de sistemas de recogida y extracción de polvo, asegúrese de conectarlos y usarlos**

IV. Uso y cuidado de las herramientas eléctricas

1. **No fuerce la herramienta eléctrica. Utilice la herramienta eléctrica adecuada para el trabajo a realizar.** *La herramienta eléctrica correcta realizará el trabajo mejor y con mayor seguridad a la velocidad para la que fue diseñada.*
2. **No utilice la herramienta eléctrica si el interruptor no la enciende y apaga.** *Cualquier herramienta eléctrica que no pueda ser controlada con el interruptor es peligrosa y debe ser reparada.*
3. **Desconecte la clavija del suministro eléctrico y/o extraiga la batería, si es extraíble, de la herramienta eléctrica antes de realizar cualquier ajuste, cambiar de accesorio o almacenar la herramienta.** *Estas medidas de seguridad preventivas reducen el riesgo de un arranque accidental de la herramienta eléctrica.*
4. **Si no la está usando, guarde la herramienta eléctrica fuera del alcance de los niños, y no permita que la utilicen personas no familiarizadas con la herramienta eléctrica o con estas instrucciones de uso.** *Las herramientas eléctricas son peligrosas en manos de usuarios inexpertos.*
5. **Mantenimiento de las herramientas eléctricas y los accesorios.** *Compruebe que las piezas móviles están correctamente alineadas y que se mueven libremente sin agarrotarse, que no hay piezas rotas, y que no hay otras circunstancias que podrían afectar al uso de la herramienta eléctrica. Si existen daños, haga reparar la herramienta eléctrica antes de usarla. Muchos accidentes se deben a un mantenimiento deficiente de las herramientas eléctricas.*
6. **Mantenga las herramientas de corte afiladas y limpias.** *Una herramienta de corte bien mantenida con filos bien afilados es más fácil de controlar y hay menos probabilidades de que se agarrote.*
7. **Utilice la herramienta eléctrica, los accesorios, las brocas, etc., según lo indicado en estas instrucciones, teniendo en cuenta las condiciones de trabajo y el trabajo a realizar.** *El uso de la herramienta eléctrica para operaciones diferentes de las previstas podría dar lugar a una situación de peligro.*
8. **Mantenga las asas, empuñaduras y otras superficies de agarre secas, limpias y libres de aceite y grasa.** *Una asa o superficie de agarre resbaladiza no permite manejar y controlar la herramienta con seguridad en situaciones imprevistas.*

V. Uso y cuidado de las herramientas a batería

1. **Recargue únicamente con el cargador especificado por el fabricante.** *Un cargador diseñado para un tipo de batería puede crear un riesgo de incendio si se utiliza con otra batería.*
2. **Utilice las herramientas eléctricas únicamente con las baterías específicas indicadas.** *El uso de otra batería puede crear un riesgo de incendio y lesiones.*
3. **Cuando la batería no está en uso, manténgala alejada de otros objetos metálicos, como por ejemplo clips, monedas, llaves, puntillas u otros objetos metálicos pequeños, que podrían hacer una conexión entre un terminal y otro.** *Un cortocircuito entre los terminales de la batería puede causar quemaduras o un incendio.*
4. **En condiciones de uso incorrecto, puede haber una fuga de líquido de la batería; evite el contacto con dicho líquido. En caso de un contacto accidental, lavar con abundante agua. Si el líquido entra en contacto con los ojos, busque también ayuda médica.** *El líquido expulsado de la batería puede causar irritación o quemaduras.*
5. **No utilice una batería o una herramienta dañada o modificada.** *Las baterías dañadas o modificadas podrían mostrar un comportamiento impredecible con resultado de incendio, explosión o riesgo de lesiones.*
6. **No exponga una batería o un cargador al fuego o a temperaturas excesivas.** *La exposición al fuego o a temperaturas superiores a los 130 °C (265 °F) puede causar una explosión.*
7. **Siga todas las instrucciones de carga y no cargue la batería o la herramienta si la temperatura está fuera del intervalo especificado en las instrucciones.** *El cargar de forma incorrecta o a temperaturas fuera del intervalo especificado puede dañar la batería y aumentar el riesgo de incendio.*

VI. Mantenimiento

1. **El mantenimiento de su herramienta eléctrica debe ser realizado por un técnico de reparaciones debidamente cualificado, utilizando únicamente piezas de repuesto idénticas.** *Sólo de esta manera se garantiza el mantenimiento de la seguridad de la herramienta eléctrica.*
2. **No realice ningún tipo de mantenimiento en una batería dañada.** *El mantenimiento de las baterías sólo debe ser realizado por el fabricante o por un servicio técnico autorizado.*

VII. Seguridad en el manejo de la motosierra

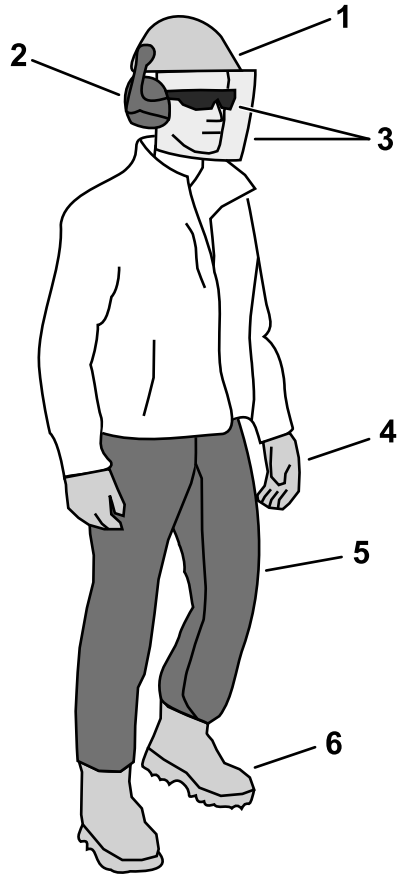
1. **Mantenga todas las partes del cuerpo alejadas de la cadena de la motosierra mientras la motosierra está en marcha. Antes de arrancar la motosierra, asegúrese de que la cadena de la motosierra no está tocando nada.** *Una breve falta de atención mientras se utiliza una motosierra puede provocar el enredamiento de su ropa o de su cuerpo con la cadena de la motosierra.*
2. **Sujete la motosierra siempre con la mano derecha en la empuñadura trasera y la mano izquierda en la empuñadura delantera.** *Sujetar la motosierra con las manos colocadas al revés aumenta el riesgo de lesiones personales, y no debe hacerse nunca.*
3. **Sujete la motosierra únicamente por las superficies de agarre aisladas, porque la cadena de la motosierra podría entrar en contacto con cables ocultos.** *Si la cadena de la motosierra entra en contacto con un cable con corriente, las partes metálicas expuestas de la motosierra también tendrán corriente y el operador podría recibir una descarga eléctrica.*
4. **Lleve protección ocular. También se recomienda el uso de equipos de protección para los oídos, la cabeza, las manos, las piernas y los pies.** *Unos equipos de protección adecuados reducen las lesiones personales provocadas por residuos que salen despedidos o por el contacto accidental con la cadena de la motosierra.*
5. **No utilice una motosierra subido a un árbol, sobre una escalera, desde un tejado o desde cualquier soporte inestable.** *El uso de una motosierra de esta manera podría dar lugar a lesiones personales graves.*
6. **Siempre pise firme y utilice la motosierra únicamente cuando esté en una superficie fija, segura y nivelada.** *Las superficies resbaladizas o inestables, tales como escaleras, pueden hacerle perder el equilibrio o el control de la motosierra.*
7. **Al cortar una rama que esté bajo tensión, tenga cuidado por si se libera repentinamente.** *Al liberarse la tensión de las fibras de la madera, la rama puede rebotar y golpear al operador o descontrolar la motosierra.*
8. **Extreme las precauciones al cortar maleza y árboles jóvenes.** *El material fino puede engancharse en la cadena de la motosierra y salir despedido como un latigazo hacia usted o hacerle perder el equilibrio.*
9. **Para transportar la motosierra, llévela por la empuñadura delantera con la cadena**

apagada y alejada de su cuerpo. Antes de transportar o almacenar la motosierra, coloque siempre la funda de la espada y retire la batería. *Un manejo correcto de la motosierra reducirá la posibilidad de contacto accidental con la cadena de la motosierra en movimiento.*

10. **Siga las instrucciones de lubricación, tensado de la cadena y cambio de la cadena y de espada.** *Una cadena tensada o lubricada incorrectamente puede romperse o aumentar las posibilidades de que se produzca un contragolpe.*
11. **Corte únicamente madera. No utilice la motosierra para fines diferentes a los previstos. Por ejemplo: no utilice la motosierra para cortar metal, plástico, mampostería o cualquier otro material de construcción que no sea madera.** *El uso de la motosierra para operaciones diferentes de las previstas podría dar lugar a una situación de peligro.*
12. **No intente talar un árbol hasta que comprenda los riesgos y la manera de evitarlos.** *Podrían producirse graves lesiones al operador o a otras personas durante la tala de un árbol.*
13. **Siga todas las instrucciones al retirar material atascado, guardar la motosierra o realizar tareas de mantenimiento en ella. Asegúrese de que el interruptor está apagado y la batería retirada.** *La activación inesperada de la máquina durante la eliminación de material atascado o durante el mantenimiento puede causar lesiones personales graves.*
14. **Causas y prevención de contragolpes por parte del operador.** *Pueden producirse contragolpes si la punta o el extremo de la espada toca un objeto, o cuando la madera aprieta y aprisiona la motosierra dentro del corte.*
- En algunos casos, un contacto con la punta puede causar una reacción repentina en sentido contrario, haciendo que salte la espada hacia arriba y atrás, hacia el operador.*
- Si la cadena de la motosierra queda aprisionada en la parte superior de la espada, esta puede ser empujada con rapidez hacia atrás, en dirección al operador.*
- Cualquiera de estas dos reacciones puede causar una pérdida de control de la sierra y lesiones personales graves. No confíe únicamente en los dispositivos de seguridad integrados en la sierra. Como usuario de una motosierra, usted debe tomar varias medidas para evitar accidentes o lesiones en los trabajos de corte.*
- Un contragolpe es el resultado del uso incorrecto de la herramienta o de procedimientos o condiciones de operación incorrectos, y puede evitarse si se toman las precauciones siguientes:*
- A. **Tome la motosierra con las dos manos con firmeza, con los pulgares y demás dedos rodeando las empuñaduras, y ubique el cuerpo y el brazo de un modo que le permita resistir las fuerzas de los contragolpes.** *El operador puede controlar los contragolpes si toma las precauciones adecuadas. No suelte la motosierra.*
 - B. **No intente alcanzar zonas demasiado alejadas ni realice cortes por encima de la altura del hombro.** *Esto ayuda a evitar un contacto involuntario de la punta de la cadena y permite un mayor control de la motosierra en situaciones imprevistas.*
 - C. **Utilice solamente las espadas y cadenas de repuesto especificadas por el fabricante.** *El uso de espadas y cadenas de repuesto incorrectas puede causar la rotura de la cadena y/o contragolpes.*
 - D. **Siga las instrucciones del fabricante para afilar y mantener la cadena de la motosierra.** *La reducción de la altura del indicador de profundidad puede aumentar los contragolpes.*

**GUARDE ESTAS
INSTRUCCIONES**

Equipos de protección personal



g316566

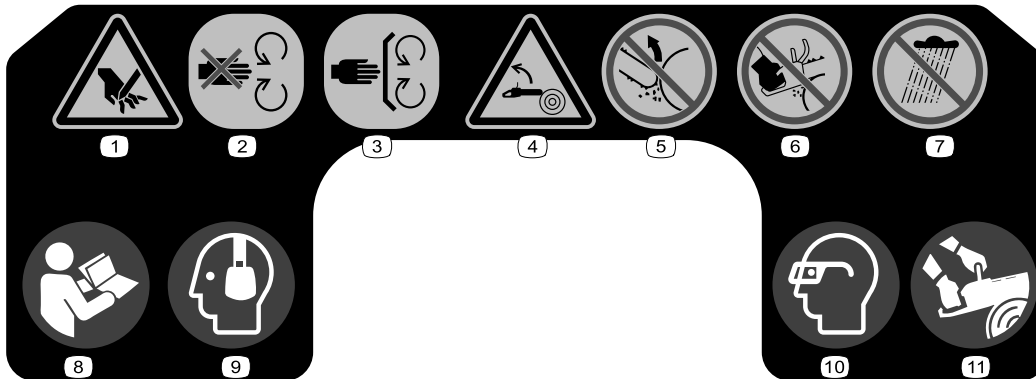
Figura 3

- | | |
|---|---|
| 1. Lleve un casco en situaciones en las que los residuos puedan entrar en contacto con la cabeza. | 4. Lleve guantes |
| 2. Lleve protección auditiva | 5. Lleve pantalón de protección o zahones. |
| 3. Lleve lentes de seguridad y/o un protector facial | 6. Lleve calzado resistente y antideslizante. |
-

Pegatinas de seguridad e instrucciones



Las pegatinas de seguridad e instrucciones están a la vista del operador y están ubicadas cerca de cualquier zona de peligro potencial. Sustituya cualquier pegatina que esté dañada o que falte.



145-8273

decal145-8273

1. Peligro de corte de la mano.
2. Manténgase alejado de las piezas en movimiento.
3. Mantenga colocados todos los protectores y defensas.
4. Peligro de contragolpe
5. No toque ningún objeto con la punta de la espada.
6. No opere la motosierra sosteniéndola con una sola mano.
7. No exponga a la lluvia.
8. Lea el *Manual del operador*.
9. Lleve protección auditiva.
10. Lleve protección ocular.
11. Utilice siempre las dos manos para manejar la motosierra.



140-2163

decal140-2163



140-2167

decal145-2167



137-9454

decal137-9454



145-8271

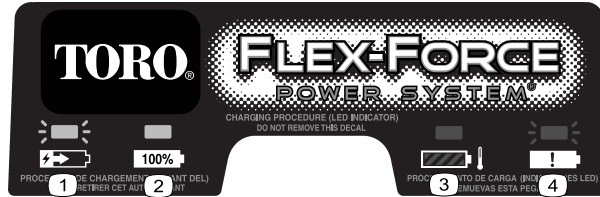
decal145-8271

1. Lea el *Manual del operador*.
2. Programa de reciclado de baterías Call2Recycle®
3. Mantenga alejada de fuegos o llamas desnudas.
4. No exponga a la lluvia.



137-9462

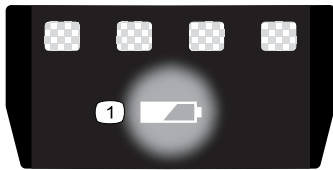
decal137-9462



137-9463

decal137-9463

1. La batería se está cargando.
2. La batería está completamente cargada.
3. La temperatura de la batería está por encima o por debajo del intervalo de temperatura adecuado.
4. Fallo de carga de la batería



137-9461

decal137-9461

1. Estado de carga de la batería

Montaje

Importante: En el momento de la compra la batería no está totalmente cargada. Antes de utilizar la máquina por primera vez, consulte [Carga de la batería \(página 22\)](#).

Cómo montar el cargador de la batería (opcional)

Si lo desea, monte el cargador de la batería firmemente en la pared utilizando los orificios de montaje en pared en la parte trasera del cargador.

Móntelo en un espacio interior (tal como un garaje u otro lugar seco), cerca de una toma de corriente y fuera del alcance de los niños.

Consulte la [Figura 1](#) para obtener asistencia sobre el montaje del cargador.

Coloque el cargador sobre las fijaciones correctamente posicionadas para fijarlo en su lugar (fijaciones no incluidas).

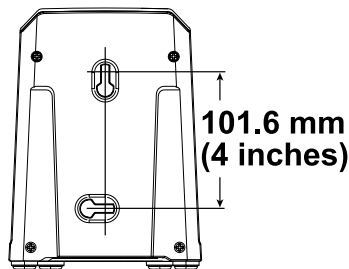


Figura 4

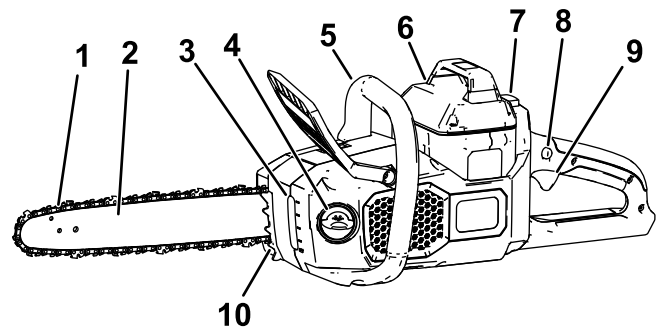
g290534

Llenado de la motosierra con aceite para cadenas de motosierra

Importante: Utilice únicamente aceite para cadenas de motosierra (se vende por separado).

Llene la motosierra con aceite para cadenas de motosierra; consulte [Cómo comprobar el nivel de aceite y añadir aceite para cadenas \(página 24\)](#).

El producto

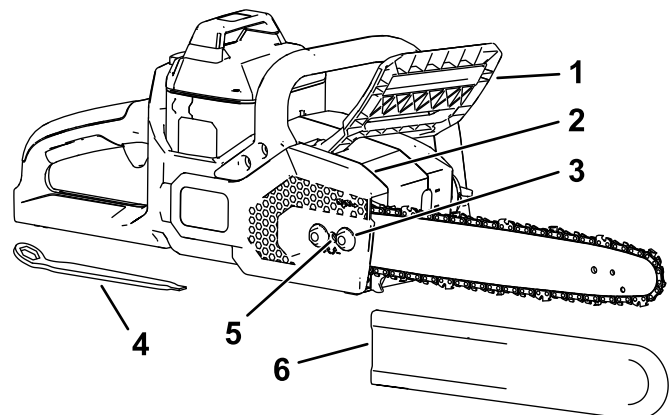


g315699

Figura 5

Lado izquierdo ilustrado

- | | |
|-------------------------|-----------------------|
| 1. Cadena | 6. Batería |
| 2. Espada | 7. Botón de cierre |
| 3. Mirilla de aceite | 8. Seguro del gatillo |
| 4. Tapón de aceite | 9. Gatillo |
| 5. Empuñadura delantera | 10. Garras de tope |

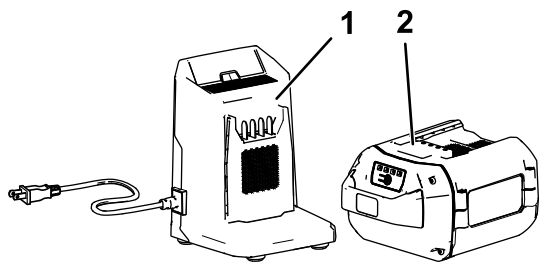


g315700

Figura 6

Lado derecho ilustrado

- | | |
|-------------------------------------|---|
| 1. Freno de la cadena | 4. Herramienta multiuso (situada debajo de la empuñadura trasera) |
| 2. Cubierta lateral | 5. Tornillo tensor de la cadena |
| 3. Tuerca prisionera de la cubierta | 6. Funda de la espada |



g355813

Figura 7

1. Cargador de batería modelo 88620 (incluido con el modelo 51850)
2. Batería modelo 88625 (incluida con el Modelo 51850)

Especificaciones

Modelo	51850/51850T
Longitud de la espada (equipada con 88613 y 88614)	40.6 cm (16")
Galga de la cadena (equipada con 88613 y 88614)	1.1 mm (0.043")
Paso de la cadena (equipada con 88613 y 88614)	9.5 mm (3/8")
Longitud de la cadena (equipada con 88613 y 88614)	56 eslabones
Voltaje nominal	Máximo 60 VCC , uso nominal 54 VCC
Peso (sin batería)	4.35 kg (9.59 libras)
Tipo de cargador	Cargadores de ion litio Toro de 60 V
Tipo de batería	Baterías de ion litio Toro de 60 V

Intervalos de temperatura adecuados

Cargue/guarde la batería a	5 °C a 40 °C (41 °F a 104 °F)*
Utilice la batería a	Entre -30 °C y 49 °C (-22 °F y 120 °F)*
Utilice la herramienta a	0 °C – 49 °C (32 °F – 120 °F)*

*El tiempo de carga será mayor si la temperatura no está en este intervalo durante la carga.

Guarde la herramienta, la batería y el cargador en un lugar cerrado, limpio y seco.

Accesorios

Está disponible una selección de aperos y accesorios homologados por Toro que se pueden utilizar con

la máquina a fin de potenciar y aumentar sus prestaciones. Póngase en contacto con su Servicio Técnico Autorizado o con su distribuidor autorizado Toro, o visite www.Toro.com para obtener una lista de todos los aperos y accesorios homologados.

Para asegurar un rendimiento óptimo y mantener la certificación de seguridad de la máquina, utilice solamente piezas y accesorios genuinos Toro. Las piezas de repuesto y los accesorios de otros fabricantes podrían ser peligrosos.

Operación

Antes de usar la motosierra

Antes de usar la motosierra, haga lo siguiente:

- Compruebe la tensión de la cadena; consulte [Ajuste de la tensión de la cadena \(página 27\)](#).
- Limpie los componentes de la motosierra, compruebe que no están excesivamente desgastados o dañados, y sustitúyalos según sea necesario; consulte [Mantenimiento de la espada, la cadena y el piñón de arrastre. \(página 28\)](#).
- Compruebe que la cadena está afilada y que no está dañada, y afílela o sustitúyala según sea necesario; consulte [Cómo afilar la cadena \(página 31\)](#).
- Compruebe el nivel de aceite; consulte [Cómo comprobar el nivel de aceite y añadir aceite para cadenas \(página 24\)](#).
- Compruebe el freno de la cadena; consulte [Comprobación del freno de la cadena \(página 25\)](#).
- Inspeccione la motosierra en busca de daños, y compruebe su aspecto general y rendimiento; asegúrese de que los interruptores se mueven libremente, los orificios de ventilación y las empuñaduras están limpios, y que la espada no está doblada o dañada.

Cómo arrancar la motosierra

1. Compruebe que los orificios de ventilación de la motosierra están libres de polvo y residuos (Figura 8).

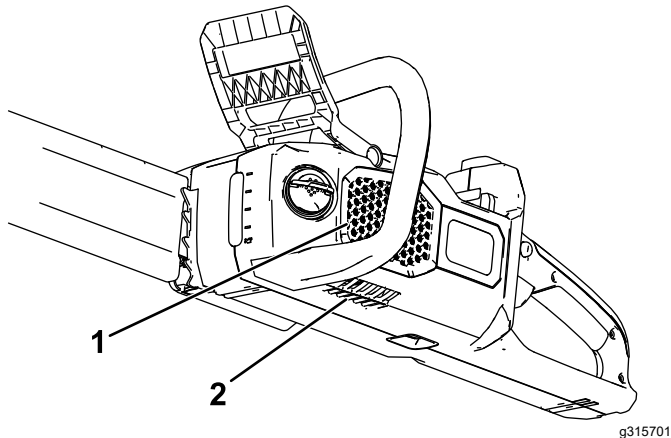


Figura 8

1. Orificio de ventilación lateral
2. Orificio de ventilación inferior

2. Coloque la motosierra en una superficie nivelada.
3. Alinee la lengüeta de la batería con el hueco correspondiente de la motosierra (Figura 9).

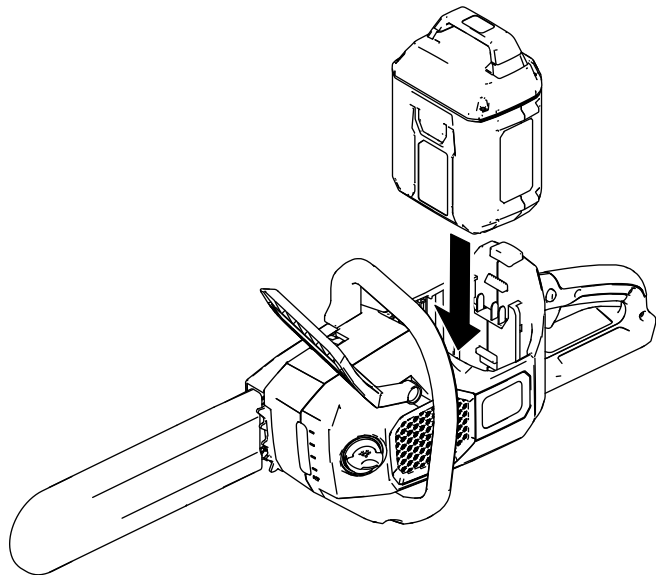


Figura 9

4. Introduzca la batería en el hueco de la batería hasta que se bloquee en su sitio.
5. Retire la funda protectora de la cadena.
6. Asegúrese de que el freno de la cadena esté en la posición de MARCHA (Figura 10).

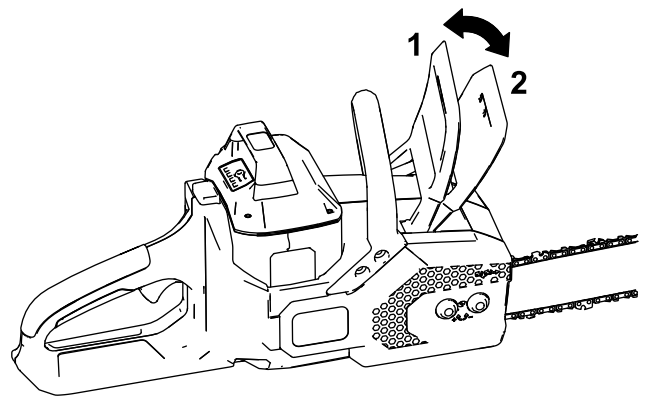


Figura 10

1. Freno de la cadena (posición de MARCHA)
2. Freno de la cadena (posición de PARADA)

7. Con la mano izquierda en la empuñadura delantera y la mano derecha en la empuñadura trasera, presione el seguro del gatillo y luego apriete el gatillo (Figura 11).

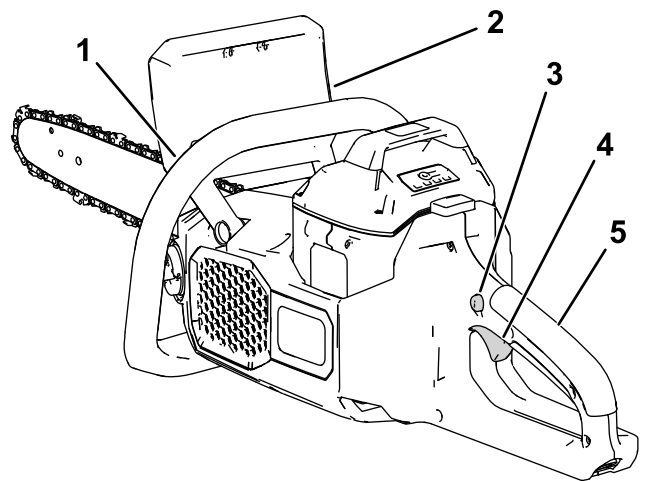


Figura 11

1. Empuñadura delantera
2. Freno de la cadena
3. Seguro del gatillo
4. Gatillo
5. Empuñadura trasera

Cómo parar la motosierra

Para parar la motosierra, suelte el gatillo.

Cuando no vaya a utilizar la sierra o cuando la transporte desde o hacia el área de trabajo, mueva el freno de la cadena a la posición de PARADA (Figura 10) y retire la batería.

Cómo cortar con la motosierra

⚠ ADVERTENCIA

El uso incorrecto de la motosierra puede causar lesiones personales graves o la muerte.

Lea atentamente y siga todas las instrucciones de uso con el fin de evitar posibles lesiones personales.

⚠ ADVERTENCIA

Un contragolpe puede causarle lesiones personales graves o mortales.

Asegúrese siempre de que el sistema de freno de la cadena funciona correctamente antes de poner en marcha la motosierra.

Evite tocar los objetos a cortar con la punta de la espada de la cadena.

Existen 2 tipos de contragolpe:

- Un movimiento rápido de la motosierra hacia **arriba**, que se produce cuando la cadena toca un objeto con la punta o el tramo superior de la espada.
- Un movimiento rápido de la motosierra **hacia atrás**, que se produce cuando el objeto que se está cortando aprisiona la cadena en la punta o en el tramo superior de la espada.

La [Figura 12](#) muestra la zona de la espada que no debe hacer contacto con un objeto para evitar contragolpes.

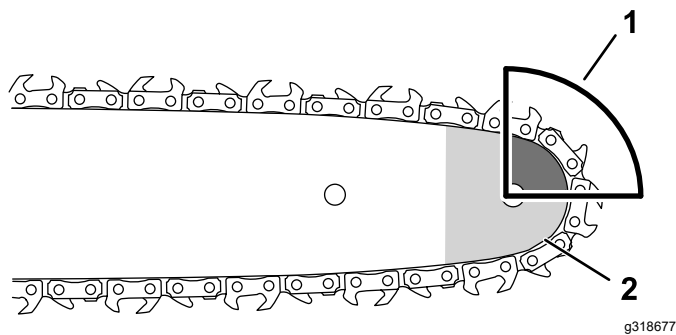


Figura 12

1. Zona del contragolpe (punta, borde superior de la espada)
2. Punta

1. Agarre la motosierra con las dos manos, con la mano izquierda en la empuñadura delantera y la mano derecha en la empuñadura trasera, como se muestra en [Figura 13](#).

Importante: Mantenga el brazo izquierdo recto con el codo bloqueado para ayudar a reducir los contragolpes.

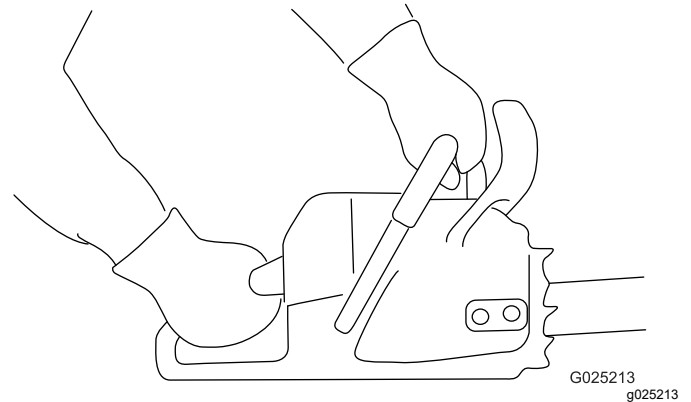


Figura 13

2. Colóquese en suelo firme y nivelado frente a la madera a cortar.
3. Colóquese en el **lado izquierdo** de la motosierra, **no en línea con la cadena**, y adopte una posición equilibrada y estable mientras corte.

Importante: No se suba encima de la madera que está cortando.

4. Asegúrese de cortar únicamente la madera que tiene previsto cortar; no deje que la cadena de la motosierra toque la tierra, otros troncos u otros objetos mientras corte.
5. Asegúrese de que la cadena de la motosierra gira a máxima velocidad antes de empezar a cortar.
6. Corte con la madera cerca de la parte trasera de la espada, cerca de las garras de tope; presione la motosierra ligeramente contra la madera y deje que el peso de la motosierra dirija el corte.

Nota: Puede utilizar las garras de tope ([Figura 14](#)) para aplicar una presión ligera.

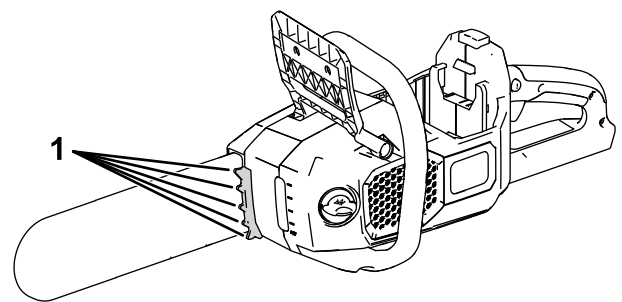


Figura 14

1. Garras de tope

- Mantenga una presión constante sobre la motosierra, cortando en línea recta, y deje de presionar solamente cerca del final del corte.

Cómo podar árboles

⚠ ADVERTENCIA

Debe cortar las ramas más altas de un árbol desde el suelo; si no, puede encontrarse en una posición inestable que podría ser peligrosa mientras manipula una motosierra, causando posibles lesiones personales graves o la muerte a usted o a otras personas.

Para cortar ramas de un árbol en pie, utilice las siguientes prácticas:

- No trepe sobre las ramas con la motosierra.
- No estire demasiado los brazos o el cuerpo, y corte con ambas manos en la motosierra.
- Asegúrese de que no haya nadie en la zona en la que puedan caer ramas.

- Sujete la motosierra como se muestra en la [Figura 13](#).
- Cuando corte ramas pequeñas, aplique una presión ligera contra la rama a cortar.
- Cuando corte ramas más grandes, haga un corte de poca profundidad en la parte inferior y luego complete el corte desde la parte superior de la rama.
 - Corte desde la parte inferior de la rama a 15 cm (6") aproximadamente del tronco. Corte un tercio del grosor de la rama.
 - Haga otro corte desde arriba, alejándose 5 a 10 cm (2" a 4") más del tronco. Corte la rama hasta que caiga.
 - Corte el muñón de la rama en el cuello de la rama ([Figura 15](#)).

Importante: No corte la rama más allá del cuello, a ras del tronco, ni deje un muñón grande; esto dañaría el árbol.

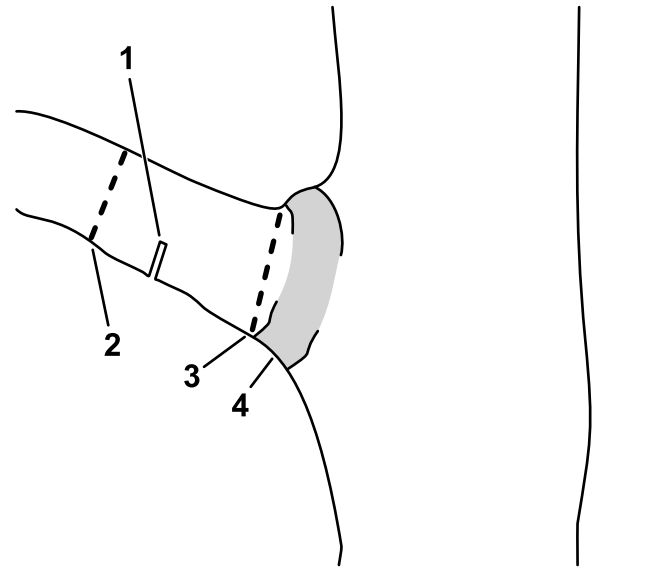


Figura 15

1. Primer corte en el lado inferior
2. Segundo corte completo
3. Corte de poda final para eliminar el muñón
4. Cuello de la rama (transición entre la rama y el tronco)

Tala de árboles

⚠ ADVERTENCIA

La tala de árboles en pie requiere experiencia y presenta riesgos.

- Antes de intentar cortar un árbol grande, practique con ramas o troncos pequeños para familiarizarse con la motosierra.
- No utilice esta motosierra para talar árboles grandes que posean un diámetro mayor que la longitud de la espada.

⚠ PELIGRO

Cualquier rama suelta o enredada que esté encima de usted puede desprenderse a causa de las vibraciones causadas por el corte, provocando graves lesiones o la muerte.

Antes de cortar, mire siempre hacia arriba en busca de ramas sueltas o enredadas; si ve alguna, retírela antes de cortar.

La postura correcta del operador para talar un árbol se muestra en la [Figura 16](#).

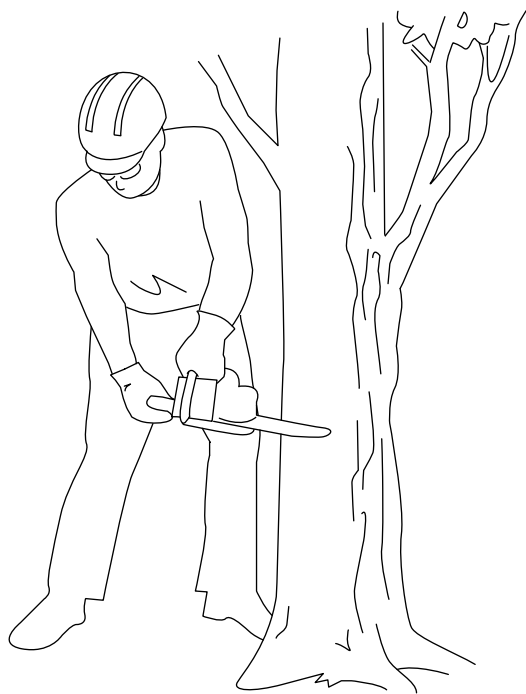


Figura 16

g195831

- Haga el primer corte de un tercio del diámetro del árbol en el lado hacia donde desea que caiga el árbol (Figura 18).

Nota: Este corte evita que la motosierra quede aprisionada al hacer el corte siguiente.

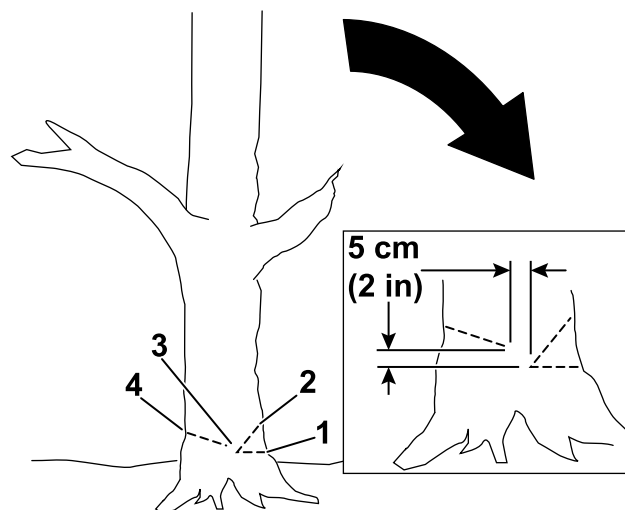


Figura 18

g228707

- Determine la dirección de caída del árbol. Tenga en cuenta las variables siguientes:
 - Dirección del viento
 - Ramas más pesadas en un lado del árbol
 - Inclinación natural del árbol (si hay)
- Determine una vía de escape despejada y segura para retirarse de la zona de peligro, consulte Figura 17.

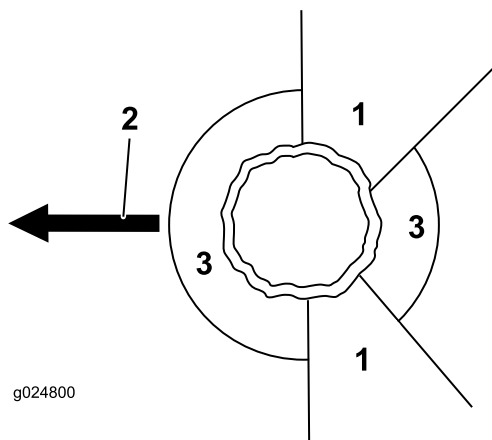


Figura 17

g024800

g024800

- Vía de escape (a un ángulo de 45° respecto a la dirección de caída prevista)
- Dirección de caída prevista
- Sujete la motosierra como se muestra en la Figura 13.

- Primer corte
- Segundo corte
- Bisagra
- Corte de tala

- Haga un segundo corte para formar una cuña, empezando el corte al menos 5 cm (2") por encima del primer corte (Figura 18).

Importante: Asegúrese de que el primer corte y el segundo coincidan en el mismo punto, formando una cuña limpia.

- Haga el corte de tala desde el lado opuesto a la cuña y unos 5 cm (2") por encima de la parte inferior de la cuña, como se muestra en la Figura 18.

Importante: Detenga el tercer corte a 2.5 cm – 5 cm (1" a 2") de la cuña para formar una bisagra entre los cortes (Figura 18), que evitará que el árbol caiga en la dirección incorrecta o que gire al caer.

Nota: A medida que el corte de tala se acerque a la bisagra (Figura 18), el árbol debe empezar a caer.

- Cuando el árbol comienza a caer, retire la motosierra, apáguela, póngala en el suelo y retírese por la vía que determinó en el paso 2.

Importante: Si el árbol comienza a caer en una dirección no deseada, detenga el corte de inmediato, apague la motosierra, ponga la motosierra en el suelo y utilice una cuña no metálica para abrir el corte de tala y empujar el árbol en la dirección deseada.

Desrame de un árbol caído

1. Sujete la motosierra como se muestra en la [Figura 13](#).
2. Trabajando desde la base del árbol hacia arriba, corte las ramas más pequeñas del árbol que no soportan el peso del árbol sobre el suelo ([Figura 19](#)).
3. Corte las ramas más grandes que soportan el peso del árbol desde la parte inferior hacia arriba, para que las ramas no aprisionen la espada y la cadena ([Figura 20](#)).

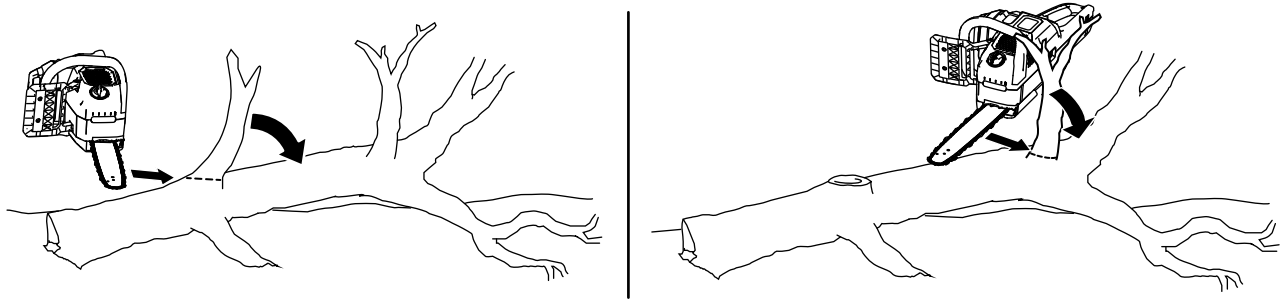


Figura 19

g316601

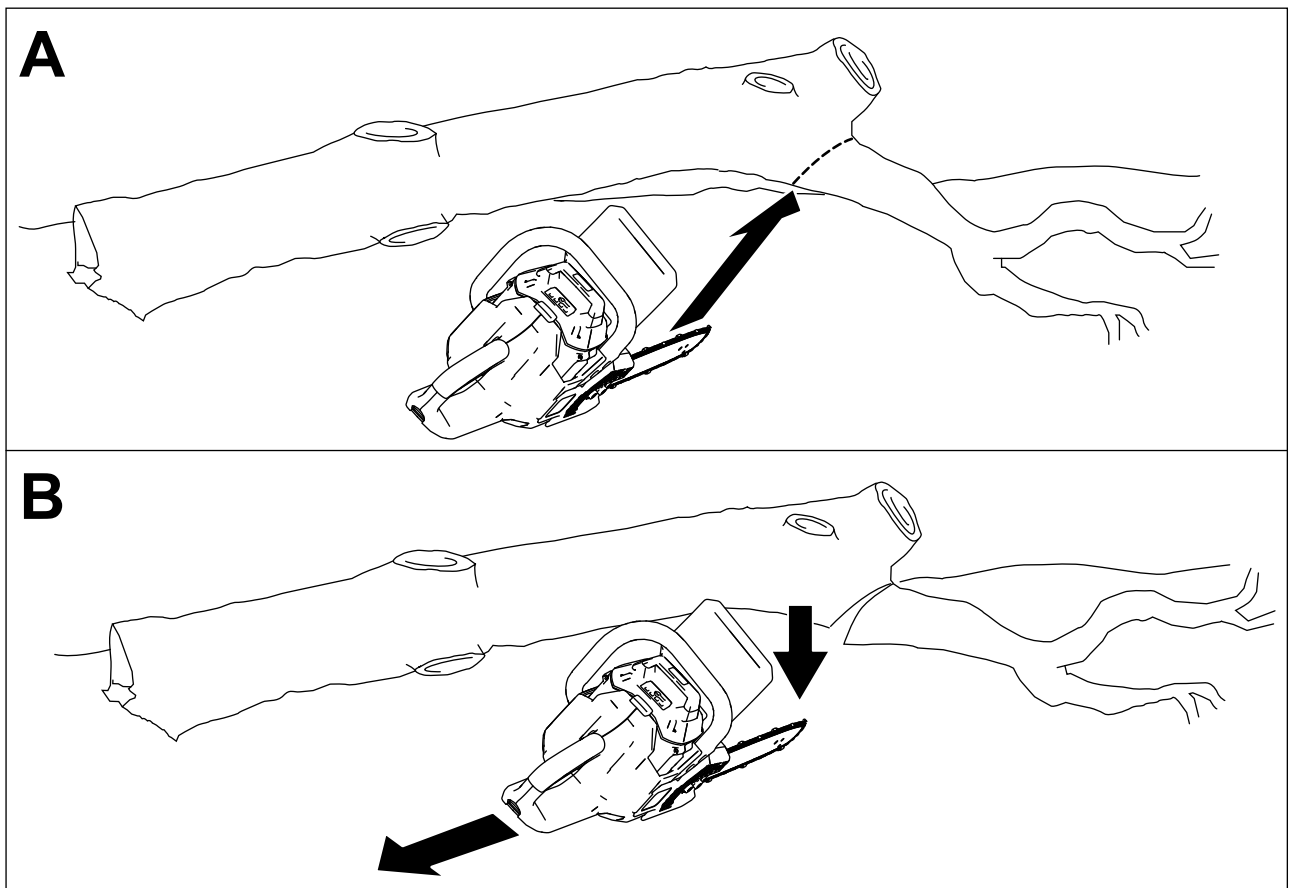


Figura 20

g315751

Trozado

Al trozar un tronco, observe los puntos de apoyo del tronco y los puntos donde hay una carga sobre el tronco. Corte el tronco de manera que no quede aprisionada la espada cuando se caigan los extremos cortados.

Importante: Si la motosierra se atora en el corte, no intente liberarla poniendo en marcha el motor. Apague la sierra, retire la batería, y utilice una cuña para abrir el corte y liberar la sierra.

Para cortar las ramas de un árbol caído o trozar el tronco del árbol, separe el tronco del suelo (de preferencia sobre un caballete).

- Si el tronco está apoyado en ambos extremos, pero no en el centro, la carga está en el centro del tronco.
 - Empiece desde arriba, y haga un corte que atraviese un tercio aproximadamente del tronco (Figura 21A).
 - Haga un segundo corte desde abajo para coincidir con el primer corte (Figura 21B). Esto evita que el tronco apriete la sierra.

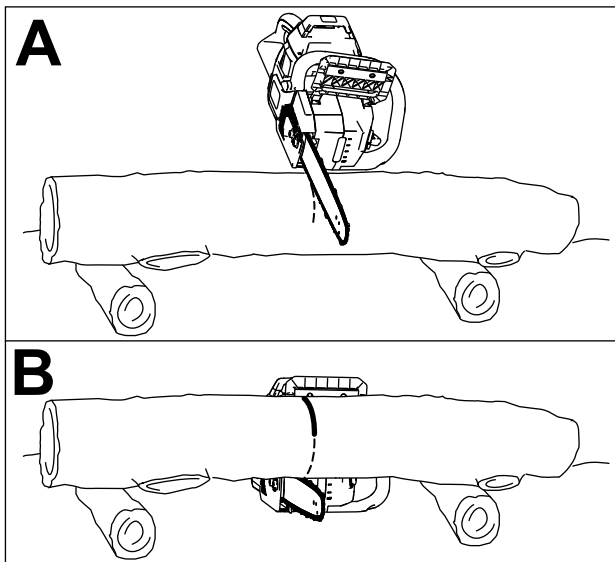


Figura 21

g315765

- Si el tronco está apoyado en un solo extremo, la carga está en el extremo libre del tronco.
 - Empiece desde abajo y corte aproximadamente un tercio del tronco.
 - Haga un segundo corte desde arriba para coincidir con el primer corte. Esto evita que el tronco apriete la sierra.
- Si el tronco está apoyado, levantado del suelo, en toda su longitud, sin ninguna carga pesada sobre el tronco en ningún punto, haga un solo corte desde arriba atravesando todo el tronco.

- Si el tronco está en una pendiente, colóquese siempre cuesta arriba respecto al tronco (Figura 22).

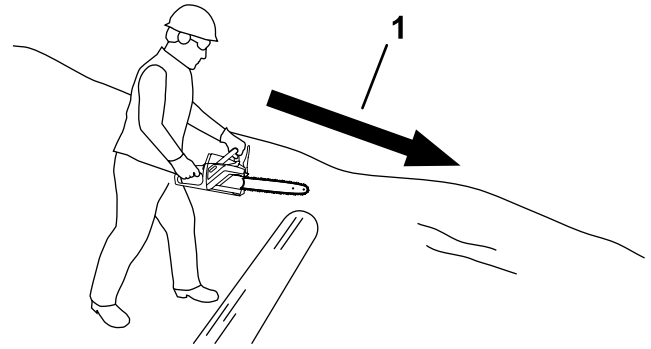


Figura 22

g315767

1. Dirección de la pendiente

- Si el tronco está apoyado en toda la longitud un suelo llano y nivelado, corte un tercio del diámetro desde arriba, luego gire el tronco 180° y haga otro corte para coincidir con el primero (Figura 23).

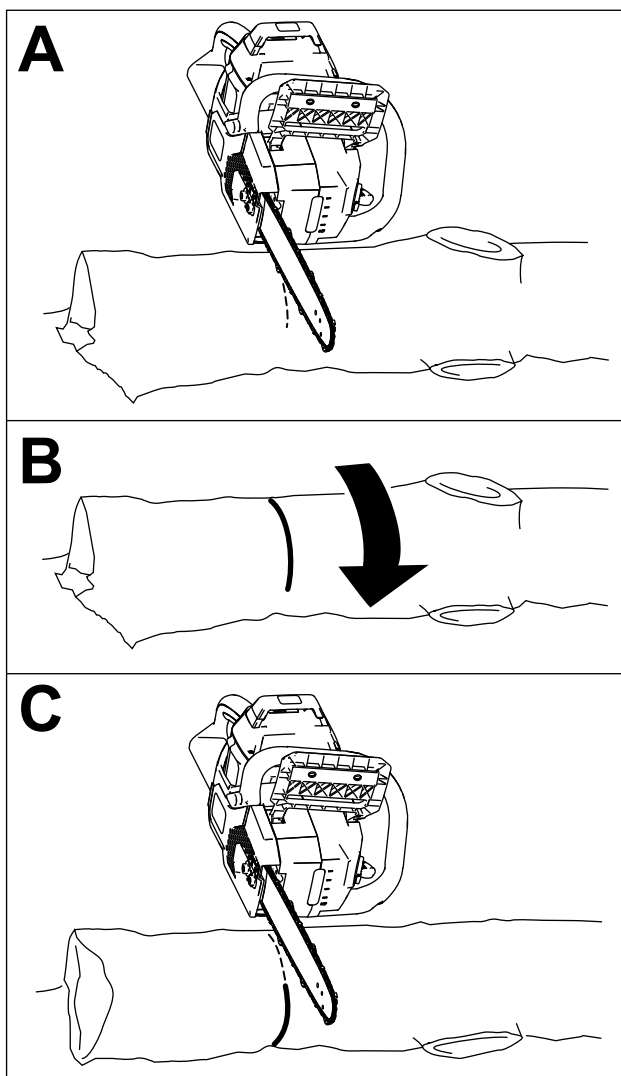


Figura 23

g315766

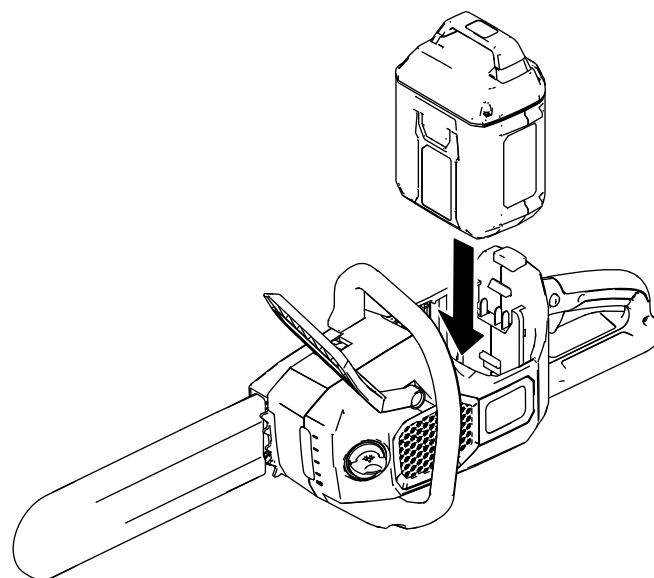


Figura 24

g315702

3. Introduzca la batería en el hueco de la batería hasta que se bloquee en su sitio.

Instalación de la batería

Importante: Utilice la batería solo a temperaturas que estén dentro del intervalo apropiado; consulte [Especificaciones \(página 13\)](#).

1. Coloque la motosierra en una superficie nivelada.
2. Alinee la lengüeta de la batería con el hueco correspondiente de la motosierra ([Figura 24](#)).

Cómo retirar la batería

1. Coloque la motosierra en una superficie plana.
2. Presione hacia abajo sobre el cierre y retire la batería del hueco.

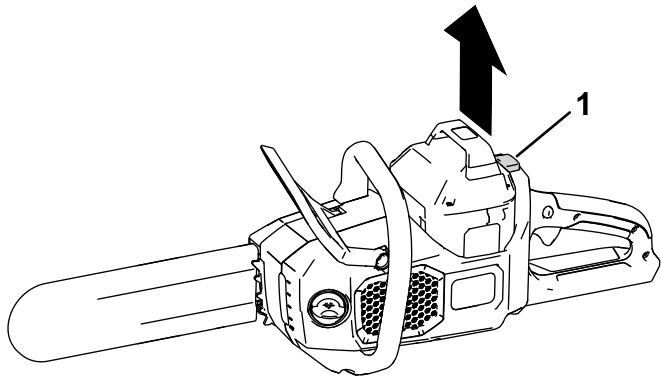


Figura 25

g315763

1. Cierre

Carga de la batería

Importante: En el momento de la compra la batería no está totalmente cargada. Antes de usar la herramienta por primera vez, coloque la batería en el cargador y cárguela hasta que el indicador LED indique que la batería está completamente cargada. Lea todas las precauciones de seguridad.

Importante: Cargue la batería solo a temperaturas que estén dentro del intervalo apropiado; consulte [Especificaciones \(página 13\)](#).

Nota: En cualquier momento, presione el botón del indicador de carga de la batería para mostrar la carga actual (indicadores LED).

1. Compruebe que los orificios de ventilación de la batería y del cargador de baterías están libres de polvo y residuos.

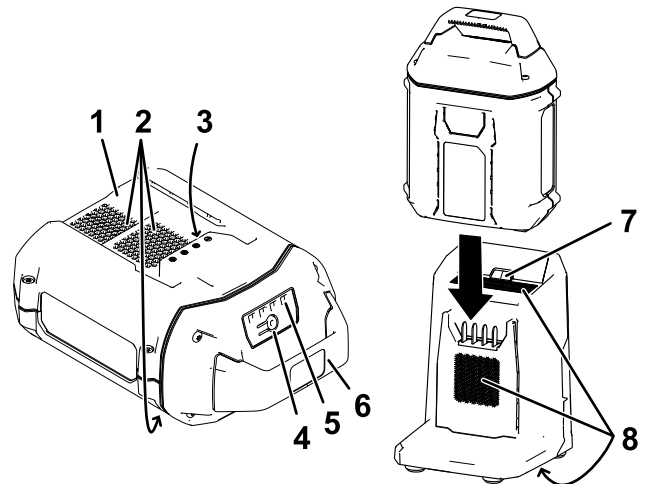


Figura 26

g290533

- | | |
|---|--------------------------------------|
| 1. Hueco de la batería | 5. Indicadores LED (carga actual) |
| 2. Zonas de ventilación de la batería | 6. Empuñadura |
| 3. Terminales de la batería | 7. Indicador LED del cargador |
| 4. Botón del indicador de carga de la batería | 8. Zonas de ventilación del cargador |

2. Alinee el hueco de la batería ([Figura 26](#)) con la lengüeta del cargador.
3. Introduzca la batería en el cargador hasta que esté completamente asentada ([Figura 26](#)).
4. Para retirar la batería, deslice la batería hacia atrás para sacarla del cargador.

5. Consulte la tabla siguiente para interpretar el indicador LED del cargador de la batería.

Indicador	Indica:
Apagado	No hay batería insertada
Verde intermitente	La batería se está cargando
Verde	La batería está cargada
R rojo	La batería y/o el cargador de la batería está por encima o por debajo del intervalo de temperatura adecuado
R rojo intermitente	Fallo de carga de la batería*

*Consulte [Solución de problemas \(página 33\)](#) si desea más información.

Importante: La batería puede permanecer conectada al cargador durante periodos cortos entre usos.

Si la batería no se va a utilizar durante periodos más largos, retire la batería del cargador; consulte [Almacenamiento \(página 31\)](#).

Mantenimiento

Calendario recomendado de mantenimiento

Intervalo de mantenimiento y servicio	Procedimiento de mantenimiento
Cada vez que se utilice o diariamente	<ul style="list-style-type: none">• Compruebe el nivel de aceite y añada aceite para cadenas de motosierra si es necesario.• Comprobación del freno de la cadena.• Compruebe que el aceite fluye hasta la cadena.• Compruebe la tensión de la cadena y ajústela si es necesario.• Asegúrese de que la espada está recta y libre de daños• Compruebe si la cadena está afilada; póngase en contacto con un Servicio Técnico Autorizado para que afilen o sustituyan la cadena.
Después de cada ciclo de descarga de la batería	<ul style="list-style-type: none">• Compruebe el nivel de aceite y añada aceite para cadenas de motosierra si es necesario.• Comprobación del freno de la cadena.• Compruebe la tensión de la cadena y ajústela si es necesario.
Cada año o antes del almacenamiento	<ul style="list-style-type: none">• Revise la espada, la cadena y el piñón de arrastre.• Compruebe si la cadena está afilada; póngase en contacto con un Servicio Técnico Autorizado para que afilen o sustituyan la cadena.

Cómo comprobar el nivel de aceite y añadir aceite para cadenas

Intervalo de mantenimiento: Cada vez que se utilice o diariamente

Después de cada ciclo de descarga de la batería

Importante: Utilice únicamente aceite para cadenas de motosierra (se vende por separado).

1. Apague la motosierra y retire la batería; consulte [Cómo retirar la batería \(página 22\)](#).
2. Observe el nivel de aceite en la mirilla. Si el aceite no llena la mirilla, añada la cantidad necesaria de aceite para cadenas ([Figura 27](#)).

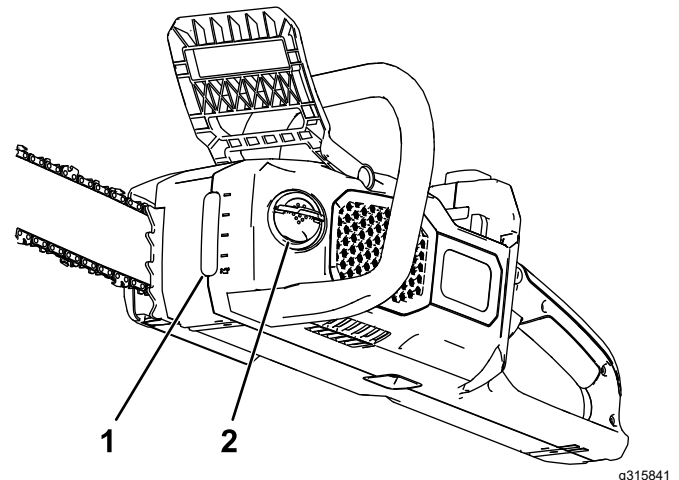


Figura 27

1. Mirilla de aceite
2. Tapón de aceite

3. Coloque la motosierra en una superficie plana con el tapón de aceite hacia arriba.
 4. Limpie la zona alrededor del tapón de aceite ([Figura 27](#)).
- Nota:** No deje que entren residuos o astillas de madera en el depósito de aceite.
5. Abra la tapa del tapón de aceite, retire el tapón y vierta aceite para cadenas en la motosierra hasta que el aceite llene el depósito ([Figura 27](#)).

Importante: No llene la motosierra por encima del extremo inferior del cuello de llenado.

6. Limpie cualquier aceite derramado, coloque el tapón de aceite y cierre la tapa.

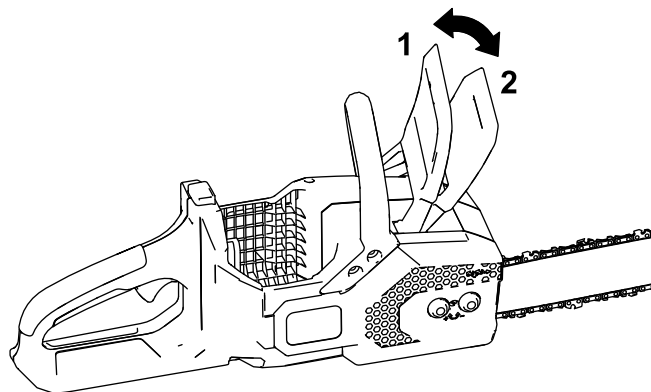
7. Asegúrese de que el aceite fluye hasta la cadena; consulte [Comprobación del flujo de aceite de la cadena \(página 26\)](#).

Comprobación del freno de la cadena

Intervalo de mantenimiento: Cada vez que se utilice o diariamente

Después de cada ciclo de descarga de la batería

1. Ponga el freno de la cadena moviendo el freno de la cadena hacia adelante a la posición de PARADA ([Figura 28](#)).



g315840

Figura 28

- | | |
|--|--|
| 1. Freno de la cadena (posición de MARCHA) | 2. Freno de la cadena (posición de PARADA) |
|--|--|

-
2. Prepárese para probar el funcionamiento de la motosierra; consulte [Antes de usar la motosierra \(página 14\)](#).
 3. Intente arrancar la motosierra. Si arranca, lleve la motosierra a un Servicio Técnico Autorizado para su reparación.
 4. Quite el freno de la cadena moviendo el freno de la cadena hacia atrás, a la posición de MARCHA ([Figura 28](#)).

Comprobación del flujo de aceite de la cadena

Intervalo de mantenimiento: Cada vez que se utilice o diariamente

1. Prepare la motosierra para el uso; consulte [Antes de usar la motosierra \(página 14\)](#).
2. Para asegurarse de que el aceite fluye hasta la cadena, coloque la punta de la motosierra a unos centímetros de una superficie (por ejemplo, papel, cartón, un tocón) y arranque la motosierra; debe poder ver una pulverización ligera de aceite en la superficie ([Figura 29](#)).

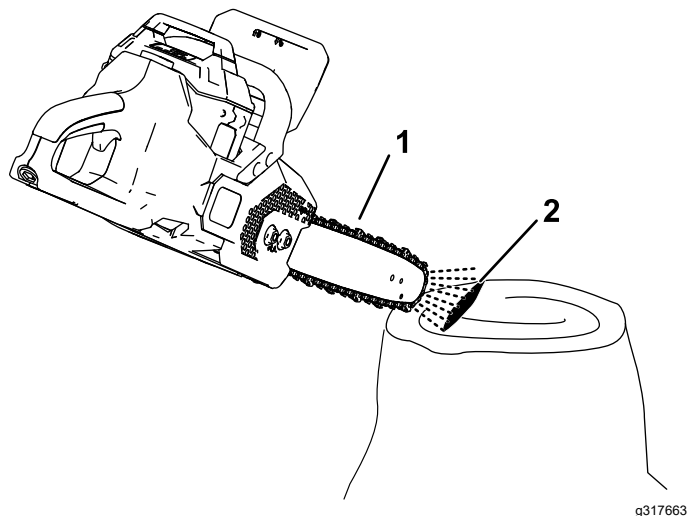


Figura 29

1. Ponga la motosierra en marcha a unos centímetros de una superficie.
 2. Si el aceite fluye, saldrá pulverizada de la cadena y se acumulará.
-
3. Si el aceite no fluye, asegúrese de que hay aceite en el depósito y que la zona debajo de la cubierta lateral está limpia; consulte [Cómo comprobar el nivel de aceite y añadir aceite para cadenas \(página 24\)](#) y [Mantenimiento de la espada, la cadena y el piñón de arrastre. \(página 28\)](#).

Ajuste de la tensión de la cadena

Intervalo de mantenimiento: Cada vez que se utilice o diariamente

Después de cada ciclo de descarga de la batería

Asegúrese de que la cadena está correctamente tensada.

Una cadena destensada acorta la vida del piñón de arrastre y la espada, y puede hacer que la cadena se desprenda.

Si la cadena se tensa demasiado, se sobrecalientan la espada y la cadena causando un desgaste rápido, y puede quemarse el motor o romperse la cadena.

La tensión de la cadena es correcta si usted puede tirar de la cadena por la espada con la mano enguantada. La cadena debe permanecer en contacto con el borde inferior de la espada.

Compruebe también la tensión de una cadena nueva después de realizar algunos cortes; una cadena nueva suele estirarse y es necesario ajustarla después de unos cortes.

⚠ PELIGRO

Cualquier contacto con los dientes de la motosierra puede causar lesiones personales graves.

- **Retire la batería antes de realizar cualquier ajuste o mantenimiento de la motosierra.**
- **Siempre use guantes cuando realice cualquier ajuste o mantenimiento de la motosierra.**

1. Coloque la motosierra en una superficie nivelada y retire la batería; consulte [Cómo retirar la batería \(página 22\)](#).
2. Deje que la cadena de la motosierra se enfríe.

Importante: No tense una cadena caliente; puede contraerse al enfriarse, dando lugar a una cadena demasiado tensada.

3. Compruebe que la espada no está doblada o dañada; cámbiela si es necesario.
4. Asegúrese de que el freno de la cadena esté en la posición de MARCHA ([Figura 28](#)).
5. Usando la herramienta multiuso integrada, afloje las tuercas prisioneras de la cubierta lateral, pero no la retire ([Figura 31](#)).

6. Levante la punta de la espada ([Figura 30](#)).

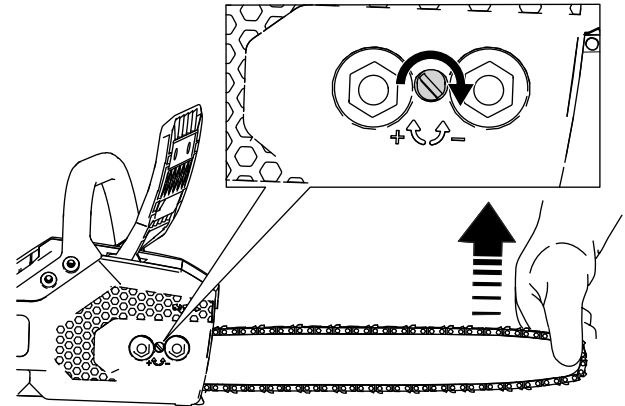


Figura 30

g315842

7. Usando la herramienta multiuso integrada, ajuste la tensión de la cadena, y luego sujete la cubierta lateral a la motosierra apretando las tuercas prisioneras ([Figura 31](#)).
 - **Para apretar la cadena**, gire el tensor de la cadena en sentido horario ([Figura 30](#)).
 - **Para aflojar la cadena**, gire el tornillo tensor de la cadena en sentido antihorario.

Ajuste la tensión de la cadena hasta que toque el borde inferior de la espada, luego tire de la cadena para alejarla del borde inferior de la espada; si la cadena está correctamente ajustada, no podrá alejarla más de 3.2–6.4 mm ($\frac{1}{8}$ – $\frac{1}{4}$ ") de la espada, y al soltarla recupera su lugar original bajo tensión.

Si la cadena no está correctamente tensada, afloje la cubierta lateral y repita los pasos 5 a 7.

8. Coloque la cadena alrededor de la espada con la mano enguantada. Una cadena correctamente tensada debe desplazarse libremente y permanecer en contacto con el borde inferior de la espada.
9. Compruebe de nuevo la tensión de la cadena y repita este procedimiento si es necesario.

Mantenimiento de la espada, la cadena y el piñón de arrastre.

Cada año o antes del almacenamiento

⚠ PELIGRO

Cualquier contacto con los dientes de la motosierra puede causar lesiones personales graves.

- Retire la batería antes de realizar cualquier ajuste o mantenimiento de la motosierra.
- Siempre use guantes cuando realice cualquier ajuste o mantenimiento de la motosierra.

1. Coloque la motosierra en una superficie plana y retire la batería; consulte [Cómo retirar la batería \(página 22\)](#).
2. Retire la cubierta lateral aflojando las 2 tuercas prisioneras que la sujetan ([Figura 31](#)).

Nota: Las tuercas prisioneras no se separan de la cubierta lateral; aflójelas hasta que pueda retirar la cubierta.

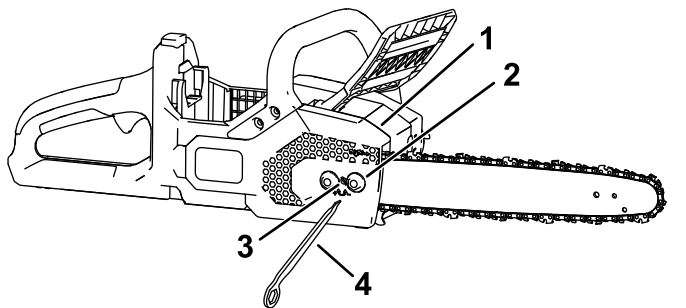


Figura 31

g315844

- | | |
|----------------------|---------------------------------|
| 1. Cubierta | 3. Tornillo tensor de la cadena |
| 2. Tuerca prisionera | 4. Herramienta multiuso |

3. Afloje la cadena girando el tornillo de apriete de la cadena en sentido antihorario ([Figura 31](#)).
4. Separe la cadena de la espada y apártalas.
5. Retire el clip y el piñón de arrastre de la motosierra ([Figura 32](#)).
6. Limpie cualquier suciedad de debajo de la cubierta lateral.
7. Inspeccione el piñón de arrastre; si está muy desgastado o dañado, sustitúyalo.
8. Instale el piñón de arrastre y el clip.
9. Compruebe que la salida de aceite ([Figura 32](#)) está libre de residuos; limpie la zona si es necesario.

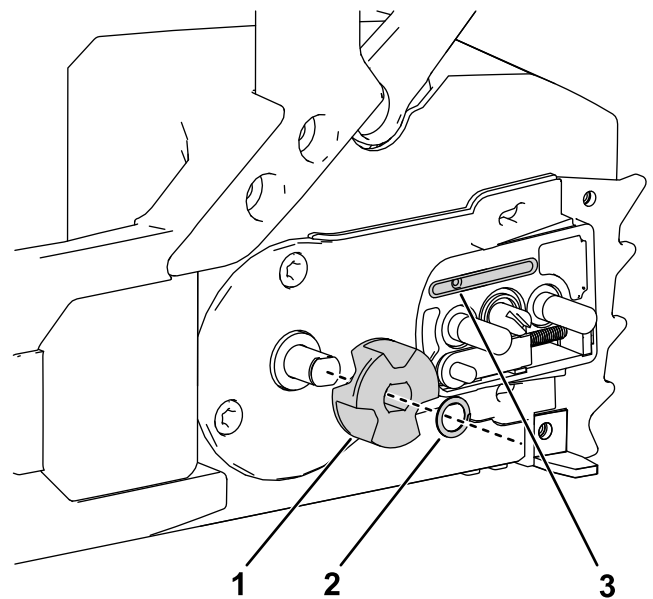


Figura 32

g315855

- | | |
|----------------------|---------------------|
| 1. Piñón de arrastre | 3. Salida de aceite |
| 2. Clip | |

10. Limpie la espada y la cadena; use un alambre o un pequeño destornillador de cabeza plana para eliminar la suciedad y los residuos de la ranura del borde de la espada, empezando en el piñón del extremo delantero y trabajando hacia atrás.

Asegúrese de que el canal de aceite de la espada que está alineado con la salida de aceite de la motosierra está limpio para que el aceite pueda fluir libremente a la cadena ([Figura 33](#)).

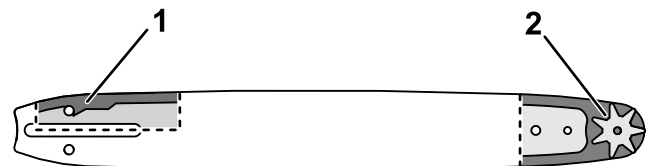


Figura 33

g315856

Secciones internas de la espada ilustradas

- | | |
|---|--|
| 1. Asegúrese de que este canal que se comunica con la salida de aceite está limpio. | 2. Asegúrese de que el piñón de la espada está limpio y que gira libremente. |
|---|--|
11. Inspeccione la espada y la cadena; si la espada está doblada, las ranuras están dañadas, o el piñón del extremo delantero no gira libremente, cambie la espada; si la cadena está excesivamente desgastada o dañada, cámbiela.
 12. Instale la espada y la cadena; consulte [Instalación de la espada y la cadena \(página 30\)](#).

13. Asegúrese de que el aceite fluye hasta la cadena; consulte [Comprobación del flujo de aceite de la cadena \(página 26\)](#).

Instalación de la espada y la cadena

⚠ PELIGRO

Cualquier contacto con los dientes de la motosierra puede causar lesiones personales graves.

- Retire la batería antes de realizar cualquier ajuste o mantenimiento de la motosierra.
 - Siempre use guantes cuando realice cualquier ajuste o mantenimiento de la motosierra.
1. Si la cubierta lateral está instalada en la máquina, afloje las 2 tuercas prisioneras que sujetan la cubierta lateral a la máquina y retírela (Figura 34A y Figura 34B).
 2. Coloque la cadena alrededor del piñón de arrastre en el extremo delantero de la espada, con el filo de corte de los dientes de la cadena del tramo superior de la espada orientado hacia adelante como se muestra en el diagrama de la cubierta lateral de la motosierra (Figura 34C).

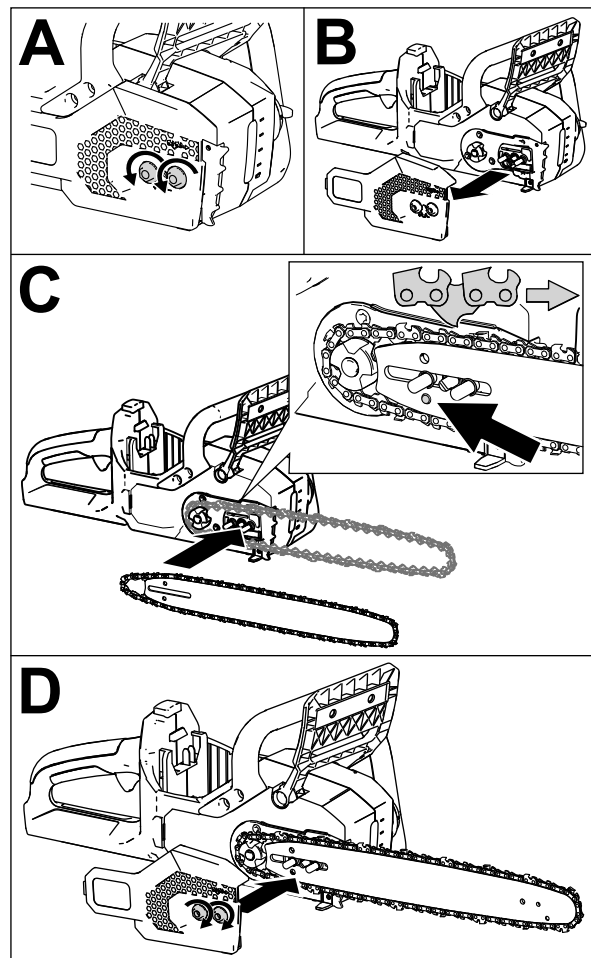


Figura 34

g315857

3. Vaya colocando la cadena alrededor de la espada, alojando los dientes de la cadena en la ranura de la espada.

Nota: Si la cadena es nueva, invierta la espada para evitar un desgaste desigual.

4. Posicione el bucle abierto de la cadena (que no está montado en la espada) alrededor del piñón de arrastre de la motosierra, e instale la espada con la cadena acoplada en la motosierra, como se muestra en la [Figura 34](#).

Importante: Asegúrese de que insertar el espárrago de ajuste de la cadena en el orificio indicado por la flecha en [Figura 34C](#). Puede ser necesario girar el tensor de la cadena para poder insertar el espárrago en el orificio de la espada.

5. Instale la cubierta lateral, pero no apriete del todo las tuercas prisioneras ([Figura 34D](#)).
6. Ajuste la tensión de la cadena; consulte [Ajuste de la tensión de la cadena \(página 27\)](#).

Cómo afilar la cadena

Cada año o antes del almacenamiento

Una cadena afilada asegura un mejor rendimiento de corte y una vida más larga de la batería.

Es necesario afilar o sustituir la cadena si hay que forzarla para que penetre en la madera, o si produce serrín en lugar de virutas de madera.

Póngase en contacto con un Servicio Técnico Autorizado para que afilen o sustituyan la cadena.

Mantenimiento

Si la motosierra necesita mantenimiento, lleve la herramienta a un Servicio Técnico Autorizado.

Almacenamiento

Importante: Almacene la máquina, la batería y el cargador solo a temperaturas que estén dentro del intervalo apropiado; consulte [Especificaciones \(página 13\)](#).

Importante: Si va a almacenar la batería hasta la temporada siguiente, cárguela hasta que 2 o 3 de los indicadores LED de la batería cambien a verde. No almacene la batería completamente cargada ni completamente descargada. Antes de volver a usar la máquina, cargue la batería hasta que se vuelva verde el indicador izquierdo del cargador, o hasta que los 4 indicadores LED de la batería se vuelvan verdes.

- Desconecte la máquina del suministro de energía (es decir, retire la batería) y compruebe si hay daños después del uso.
- Limpie cualquier material extraño del producto.
- No almacene la máquina con la batería instalada.
- Almacene la máquina, la batería y el cargador de la batería en un lugar bien ventilado que no sea accesible para los niños.
- Mantenga la máquina, la batería y el cargador de la batería alejados de agentes corrosivos como productos fitosanitarios de jardín o sal para deshielo.
- Para reducir el riesgo de lesiones personales graves, no almacene la batería en el exterior o en un vehículo.
- Guarde la máquina, la batería y el cargador en un lugar cerrado, limpio y seco.

Preparación de la batería para el reciclado

Importante: Al retirarla, cubra los terminales de la batería con cinta adhesiva de servicio pesado. No intente destruir o desmontar la batería ni intente retirar cualquiera de los componentes de la misma.



Las baterías de ion litio etiquetadas con el sello Call2Recycle pueden ser recicladas en cualquier comercio o instalación de reciclado de baterías adscrito al programa Call2Recycle (solo EUA y Canadá). Para localizar un comercio o una instalación adscrito cercano, llame al 1-800-822-8837 o visite www.call2recycle.org. Si no puede localizar un comercio o instalación adscrito cercano, o si su batería recargable no está etiquetada con el sello Call2Recycle, póngase en contacto con su ayuntamiento para obtener más información sobre el reciclado responsable de la batería. Si se encuentra fuera de EUA o Canadá, póngase en contacto con su distribuidor Toro autorizado.

Solución de problemas

Realice solo los pasos descritos en estas instrucciones. Cualquier otro trabajo de inspección, mantenimiento o reparación debe ser realizado por un Servicio Técnico Autorizado o por un especialista autorizado si no puede solucionar el problema usted mismo.

Retire siempre la batería de la herramienta antes de inspeccionar, limpiar, localizar averías o realizar mantenimiento de la herramienta.

Problema	Posible causa	Acción correctora
La motosierra no funciona, o funciona de forma intermitente.	<ol style="list-style-type: none"> 1. La batería tiene poca carga. 2. La batería no está completamente asentada. 3. La temperatura de la batería está por encima o por debajo del intervalo de temperatura adecuado. 4. La batería ha superado los límites máximos de amperaje. 5. Hay humedad en los cables de la batería. 6. El freno de la cadena está puesto. 7. Hay suciedad debajo de la cubierta. 	<ol style="list-style-type: none"> 1. Cargue la batería. 2. Asegúrese de que la batería se ha introducido por completo en el alojamiento. 3. Traslade la batería a un lugar seco cuya temperatura sea de entre 5 °C y 40 °C (41 °F y 104 °F). 4. Suelte el gatillo y luego presione el interruptor del gatillo. 5. Deje que la batería se seque o séquela con un paño. 6. Quite el freno de la cadena moviendo el freno de la cadena hacia atrás. 7. Retire la cubierta y elimine la suciedad.
La motosierra funciona, pero la cadena no gira.	<ol style="list-style-type: none"> 1. La cadena no está correctamente asentada en el piñón de arrastre. 2. Hay suciedad debajo de la cubierta. 	<ol style="list-style-type: none"> 1. Instale la cadena y asegúrese de que los eslabones están correctamente asentados en el piñón de arrastre. 2. Retire la cubierta y elimine la suciedad.
No se activa el freno de la cadena.	<ol style="list-style-type: none"> 1. El freno de la cadena está dañado. 	<ol style="list-style-type: none"> 1. Lleve la motosierra inmediatamente a un Servicio Técnico Autorizado.
La motosierra no corta bien.	<ol style="list-style-type: none"> 1. La cadena no está tensada correctamente. 2. La cuchilla está desafilada o dañada. 3. La espada está doblada o las ranuras están dañadas. 4. La cadena está instalada al revés. 5. La cadena no se lubrica correctamente. 	<ol style="list-style-type: none"> 1. Ajuste la cadena con la tensión correcta. 2. Cambie la cadena. 3. Cambie la espada 4. Instale la cadena correctamente. 5. Compruebe el nivel de aceite y asegúrese de que el aceite fluye hasta la cadena.
El aceite de la cadena no lubrica correctamente.	<ol style="list-style-type: none"> 1. El nivel del aceite es bajo. 2. La salida de aceite está obstruida. 3. Hay suciedad debajo de la cubierta. 4. El canal de aceite o la ranura de la espada está obstruida. 	<ol style="list-style-type: none"> 1. Compruebe el nivel de aceite. 2. Limpie la suciedad de la salida del aceite. 3. Retire la cubierta y elimine la suciedad. 4. Limpie la suciedad que haya en la espada.
La batería se descarga rápidamente.	<ol style="list-style-type: none"> 1. La temperatura de la batería está por encima o por debajo del intervalo de temperatura adecuado. 2. La cuchilla está desafilada o dañada. 3. La espada está doblada o las ranuras están dañadas. 4. La máquina está sobrecargada. 5. La cadena no se lubrica correctamente. 	<ol style="list-style-type: none"> 1. Traslade la batería a un lugar seco cuya temperatura sea de entre 5 °C y 40 °C (41 °F y 104 °F). 2. Cambie la cadena. 3. Cambie la espada 4. Aplique menos presión durante el corte. 5. Compruebe el nivel de aceite y asegúrese de que el aceite fluye hasta la cadena.

Problema	Posible causa	Acción correctora
El cargador de la batería no funciona.	<ol style="list-style-type: none"> 1. La temperatura del cargador de la batería está por encima o por debajo del intervalo de temperatura adecuado. 2. La toma de corriente en la que está enchufado el cargador de la batería no tiene corriente. 	<ol style="list-style-type: none"> 1. Desenchufe el cargador de la batería y tráselo a un lugar seco cuya temperatura sea de entre 5 °C y 40 °C (41 °F y 104 °F). 2. Póngase en contacto con un electricista autorizado para que repare la toma de corriente.
El indicador LED del cargador de la batería está rojo.	<ol style="list-style-type: none"> 1. El cargador de la batería y/o la batería está por encima o por debajo del intervalo de temperatura adecuado. 	<ol style="list-style-type: none"> 1. Desenchufe el cargador de la batería y mueva el cargador de la batería y la batería a un lugar seco cuya temperatura sea de entre 5 °C (41 °F) y 40 °C (104 °F).
El indicador LED del cargador de la batería parpadea en rojo.	<ol style="list-style-type: none"> 1. Hay un error de comunicaciones entre la batería y el cargador. 2. La batería está casi agotada. 	<ol style="list-style-type: none"> 1. Retire la batería del cargador, desconecte el cargador de la toma de corriente y espere 10 segundos. Vuelva a enchufar el cargador en la toma de corriente y coloque la batería en el cargador. Si el indicador LED del cargador sigue parpadeando en rojo, repita este procedimiento. Si el indicador LED del cargador sigue parpadeando después de 2 intentos, elimine la batería correctamente en una instalación de reciclado de baterías. 2. Póngase en contacto con un servicio técnico autorizado si la batería está en garantía, o elimine correctamente la batería en una instalación de reciclado de baterías.

Notas:

Información sobre las Advertencias de la Proposición 65 de California

¿Qué significa esta advertencia?

Puede ver un producto a la venta que lleva una etiqueta de advertencia como la siguiente:



ADVERTENCIA: Cáncer y daños reproductivos – www.p65Warnings.ca.gov.

¿Qué es la Proposición 65?

La Proposición 65 afecta a cualquier empresa que tenga presencia en California, que venda productos en California, o que fabrique productos que podrían ser introducidos o vendidos en California. Esta ley exige que el Gobernador de California mantenga y publique una lista de sustancias químicas identificadas como causantes de cáncer, defectos de nacimiento y/u otros daños reproductivos. La lista, que se actualiza anualmente, incluye cientos de productos químicos que se encuentran en muchos artículos de uso diario. El propósito de la Proposición 65 es informar al público sobre la exposición a estos productos químicos.

La Proposición 65 no prohíbe la venta de productos que contengan estos productos químicos, sino que requiere la presencia de advertencias en el producto, el envase y la documentación suministrada con el producto. Además, una advertencia de la Proposición 65 no significa que el producto contravenga ninguna norma o requisito de seguridad. De hecho, el gobierno de California ha aclarado que una advertencia bajo la Proposición 65 "no es lo mismo que una decisión legal sobre la 'seguridad' o la 'inseguridad' de un producto". Muchos de estos productos químicos han sido utilizados durante años en productos de uso diario sin que se hayan producido daños documentados. Para obtener más información, visite <https://oag.ca.gov/prop65/faqs-view-all>.

Una advertencia de la Proposición 65 significa que una empresa (1) ha evaluado la exposición y ha concluido que supera el nivel de "sin riesgo significativo"; o (2) ha optado por proporcionar una advertencia basándose en sus conocimientos respecto a la presencia de un producto químico de los incluidos en la lista, sin intentar evaluar la exposición.

¿Esta ley es aplicable en todas partes?

Las advertencias de la Proposición 65 sólo son obligatorias bajo la legislación de California. Estas advertencias se ven por toda California en una gran variedad de entornos, incluyendo entre otros restaurantes, tiendas de alimentación, hoteles, escuelas y hospitales, y en una amplia variedad de productos. Además, algunos minoristas de Internet y de la venta por correo incluyen advertencias de la Proposición 65 en sus sitios web o en sus catálogos.

¿Qué diferencia hay entre las advertencias de California y los límites federales?

Las normas de la Proposición 65 son a menudo más exigentes que las normas federales o internacionales. Varias sustancias requieren una advertencia bajo la Proposición 65 a niveles muy inferiores a los límites federales. Por ejemplo, el nivel exigido por la Proposición 65 para las advertencias sobre el plomo es de 0.5 µg/día, que es muy inferior a lo que exigen las normas federales e internacionales.

¿Por qué no llevan la advertencia todos los productos similares?

- Los productos vendidos en California deben llevar etiquetas bajo la Proposición 65, mientras que otros productos similares que se venden en otros lugares no las necesitan.
- Una empresa puede estar obligada a incluir advertencias de Proposición 65 en sus productos como condición de un acuerdo tras un procedimiento legal relacionado con la Proposición 65, pero otras empresas que fabrican productos similares no tienen necesariamente la misma obligación.
- La aplicación de la Proposición 65 no es uniforme.
- Algunas empresas pueden optar por no proporcionar advertencias porque concluyen que no están obligadas a hacerlo bajo la Proposición 65; la falta de advertencias en un producto no significa que el producto esté libre de los productos químicos incluidos en la lista a niveles similares.

¿Por qué incluye el fabricante esta advertencia?

El fabricante ha optado por proporcionar a los consumidores la mayor cantidad posible de información para que puedan tomar decisiones informadas sobre los productos que compra y utiliza. El fabricante proporciona advertencias en ciertos casos basándose en sus conocimientos sobre la presencia de uno o más productos químicos de la lista, sin evaluar el nivel de exposición, puesto que la lista no incluye límites de exposición para todos los productos químicos que contiene. Aunque la exposición que provocan los productos del fabricante puede ser insignificante, o estar dentro de los límites de la categoría "sin riesgo significativo", el fabricante ha optado por proporcionar las advertencias de la Proposición 65 por simple precaución. Además, si el fabricante no proporcionara estas advertencias, podría ser demandada por el Estado de California o por particulares bajo la Proposición 65, y estar sujeta a importantes sanciones.



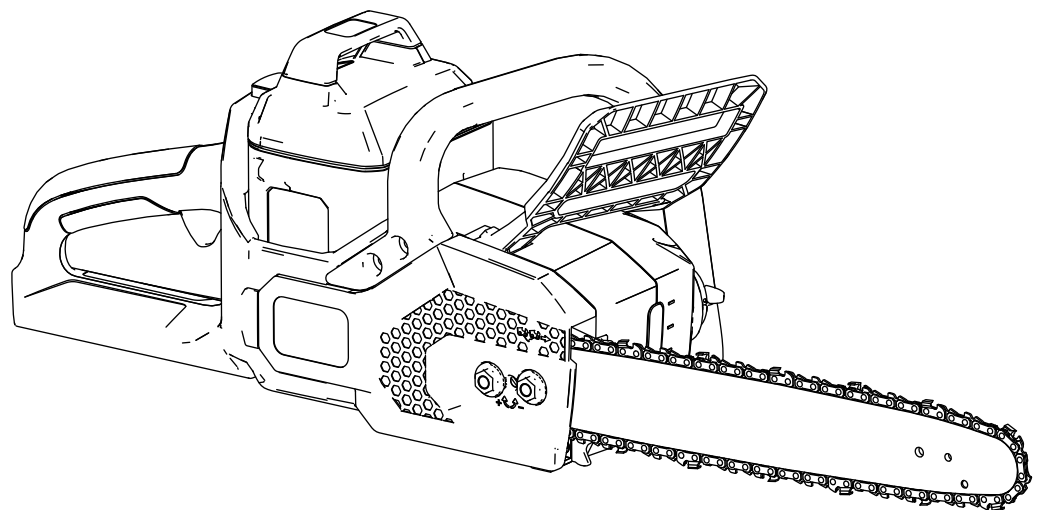
Count on it.

Manuel de l'utilisateur

Tronçonneuse Flex-Force Power System™ 41 cm (16 po) 60 V MAX

N° de modèle 51850—N° de série 323000001 et suivants

N° de modèle 51850T—N° de série 323000001 et suivants





Si vous avez besoin d'aide, visionnez les vidéos d'instruction sur www.Toro.com/support ou appelez le 1-888-384-9939 avant de renvoyer ce produit.

⚠ ATTENTION

CALIFORNIE

Proposition 65 - Avertissement

Le cordon d'alimentation de cette machine contient du plomb, une substance chimique considérée par l'état de Californie comme susceptible de provoquer des malformations congénitales et autres troubles de la reproduction. Lavez-vous les mains après avoir manipulé la batterie.

L'utilisation de ce produit peut entraîner une exposition à des substances chimiques considérées par l'état de Californie comme capables de provoquer des cancers, des anomalies congénitales ou d'autres troubles de la reproduction.

Pour plus d'information, y compris des conseils de sécurité, des documents de formation, des renseignements concernant un accessoire, pour obtenir l'adresse d'un dépositaire ou pour enregistrer votre produit, rendez-vous sur le site www.Toro.com.

Pour obtenir des prestations de service, des pièces Toro d'origine ou des renseignements complémentaires, munissez-vous des numéros de modèle et de série du produit et contactez un dépositaire-réparateur ou le service client Toro agréé. La [Figure 1](#) indique l'emplacement des numéros de modèle et de série du produit. Inscrivez les numéros dans l'espace réservé à cet effet.

Important: Avec votre appareil mobile, vous pouvez scanner le code QR (selon l'équipement) sur la plaque du numéro de série pour accéder à l'information sur la garantie, les pièces et autres renseignements concernant le produit.

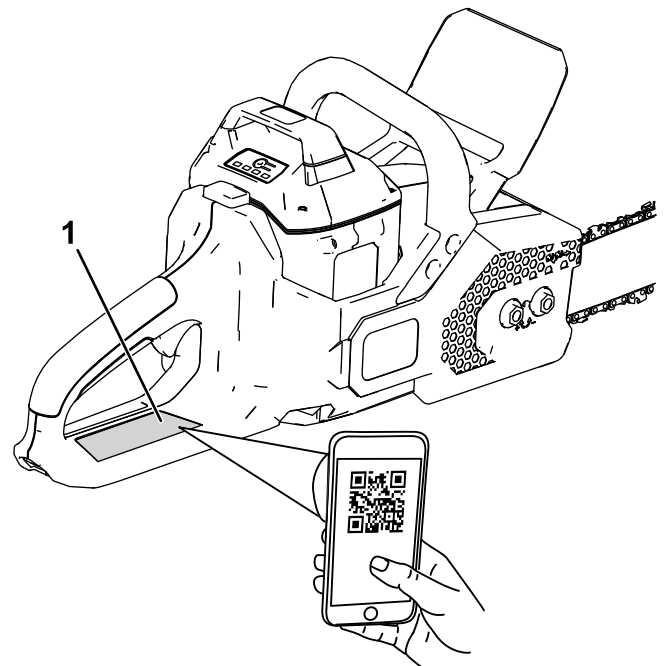


Figure 1

g425184

Introduction

Cette tronçonneuse est prévue pour couper les branches d'arbres, les billes et les poutres en bois de diamètre inférieur à la longueur de coupe du guide-chaîne. Elle ne doit être utilisée que par des personnes adultes. Elle fonctionne avec les batteries ion-lithium Toro de 60 V. Ces batteries sont conçues pour être chargées uniquement avec les chargeurs de batteries ion-lithium Toro de 60 V. L'utilisation de ces produits à d'autres fins que celles prévues peut être dangereuse pour vous-même et toute personne à proximité.

Le modèle 51850T ne comprend pas de batterie ni de chargeur.

Lisez attentivement cette notice pour apprendre comment utiliser et entretenir correctement votre produit, et éviter ainsi de l'endommager ou de vous blesser. Vous êtes responsable de l'utilisation sûre et correcte du produit.

N° de modèle	_____
N° de série	_____

Symbole de sécurité

Le symbole de sécurité (Figure 2) utilisé dans ce manuel et sur la machine identifie d'importants messages de sécurité dont vous devez tenir compte pour éviter des accidents.



Figure 2
Symbole de sécurité

g000502

Le symbole de sécurité apparaît au-dessus de toute information signalant des actions ou des situations dangereuses. Il est suivi de la mention **DANGER**, **ATTENTION** ou **PRUDENCE**.

DANGER : Signale un danger immédiat qui, s'il n'est pas évité, **entraînera obligatoirement** des blessures graves ou mortelles.

ATTENTION : Signale un danger potentiel qui, s'il n'est pas évité, **risque d'entraîner** des blessures graves ou mortelles.

PRUDENCE : Signale un danger potentiel qui, s'il n'est pas évité, **peut éventuellement entraîner** des blessures légères ou modérées.

Ce manuel utilise également deux autres termes pour faire passer des renseignements essentiels. **Important**, pour attirer l'attention sur une information d'ordre mécanique spécifique, et **Remarque**, pour souligner une information d'ordre général méritant une attention particulière.

Table des matières

Symbole de sécurité	3
Sécurité	4
.....	4
.....	6
Équipement de protection individuelle	8
Autocollants de sécurité et d'instruction	9
Mise en service	11
Montage du chargeur de batterie (option).....	11
Remplissage de la tronçonneuse avec de l'huile pour guide-chaîne et chaîne	11
Vue d'ensemble du produit	11
Caractéristiques techniques	12
Accessoires/outils.....	12
Utilisation	13
Avant d'utiliser la tronçonneuse	13
Démarrage de la tronçonneuse.....	13
Arrêt de la tronçonneuse.....	14
Scier avec la tronçonneuse.....	14
Élagage d'un arbre	15
Abattage d'un arbre	16
Ébranchage d'un arbre abattu.....	18
Tronçonnage	19
Mise en place de la batterie.....	20
Retrait de la batterie	20
Charge de la batterie	21
Entretien	22
Programme d'entretien recommandé	22
Contrôle du niveau d'huile et appoint d'huile pour guide-chaîne et chaîne.....	22
Contrôle du frein de chaîne	23
Contrôle du débit d'huile pour guide et chaîne	23
Réglage de la tension de la chaîne.....	24
Entretien du guide, de la chaîne et du pignon d'entraînement.....	24
Installation du guide et de la chaîne	26
Affûtage de la chaîne	26
Entretien	26
Remisage	27
Préparation de la batterie pour le recyclage	27
Dépistage des défauts	28

Sécurité

▲ ATTENTION

Prenez connaissance de toutes les consignes de sécurité, instructions, illustrations et spécifications qui accompagnent cet outil électrique.

Le non respect de toutes les instructions énoncées ci-après peut entraîner des chocs électriques, un incendie et/ou des blessures graves.

Conservez précieusement toutes les mises en garde et consignes de sécurité pour référence ultérieure.

Le terme « outil électrique » utilisé dans toutes les mises en garde renvoie à votre outil électrique branché sur le secteur (câblé) ou alimenté par batterie (sans fil).

IMPORTANTES CONSIGNES DE SÉCURITÉ

I. Sécurité sur la zone de travail

1. **La zone de travail doit être propre et bien éclairée.** *Les endroits sombres et encombrés sont propices aux accidents.*
2. **N'utilisez jamais d'outils électriques dans des atmosphères explosives, en présence de liquides, gaz ou poussière inflammables par exemple.** *Les outils électriques produisent des étincelles qui peuvent enflammer la poussière ou les vapeurs/émanations.*
3. **Tenez enfants et spectateurs à distance pendant l'utilisation d'un outil électrique.** *Les distractions peuvent entraîner la perte de contrôle de l'outil.*

II. Sécurité électrique

1. **La fiche des outils électriques doit correspondre au type de prise. Ne modifiez jamais la fiche électrique. N'utilisez pas d'adaptateur avec les outils électriques reliés à la terre.** *Les fiches et prises correspondantes non modifiées réduisent le risque de choc électrique.*
2. **Évitez tout contact du corps avec des surfaces reliées à la terre/masse, par exemple tuyaux, radiateurs, cuisinières et réfrigérateurs.** *Le risque de choc électrique augmente si vous êtes relié à la terre.*

3. **N'exposez pas les outils électriques à la pluie ou à l'humidité.** *Toute infiltration d'eau dans un outil électrique augmente le risque de choc électrique.*
4. **Ne maltraitez pas le cordon d'alimentation. Ne vous servez jamais du cordon pour transporter, tirer ou débrancher l'outil électrique.** *Éloignez le cordon des surfaces chaudes, de la graisse, des arêtes vives ou des pièces mobiles. Les cordons endommagés ou emmêlés augmentent le risque de choc électrique.*
5. **Si vous utilisez un outil électrique à l'extérieur, utilisez toujours une rallonge adaptée à l'usage extérieur.** *L'utilisation d'une rallonge prévue pour l'usage extérieur réduit le risque de choc électrique.*
6. **Si l'utilisation d'un outil électrique dans un endroit humide ne peut être évitée, utilisez une alimentation protégée par un disjoncteur différentiel.** *L'utilisation d'un disjoncteur différentiel réduit le risque de choc électrique.*

III. Sécurité personnelle

1. **Restez vigilant(e), regardez ce que vous faites et faites preuve de bon sens lorsque vous utilisez un outil électrique. N'utilisez jamais un outil électrique si vous êtes fatigué ou sous l'emprise de l'alcool, de drogues ou de médicaments.** *Un seul moment d'inattention pendant l'utilisation peut entraîner de graves blessures.*
2. **Utilisez des équipements de protection individuelle. Portez toujours une protection oculaire.** *Les équipements de protection comme les masques antipoussière, les chaussures de sécurité à semelle antidérapante, les casques et les protections antibruit utilisés de manière pertinente réduisent les risques de blessures.*
3. **Évitez tout démarrage accidentel. Assurez-vous que l'interrupteur Marche/Arrêt est en position ARRÊT avant de connecter l'outil à une source d'alimentation et/ou à la batterie, de le prendre en main ou de le transporter.** *Des accidents peuvent se produire si vous transportez un outil électrique en gardant le doigt sur l'interrupteur d'alimentation ou si vous le mettez sous tension sans avoir placé l'interrupteur en position Arrêt.*
4. **Retirez toute clé de réglage ou autre avant de mettre l'outil en marche.** *Une clé oubliée sur une pièce rotative de l'outil électrique pourrait vous blesser.*
5. **Ne travaillez pas trop loin devant vous. Gardez toujours les pieds bien posés à terre.**

et faites en sorte de ne pas perdre l'équilibre.
Vous pourrez ainsi garder le contrôle de l'outil en cas d'événement inattendu.

6. **Portez des vêtements adéquats. Ne portez pas de vêtements amples ni de bijoux pendants. N'approchez pas les cheveux ni les vêtements des pièces en mouvement.**
Les vêtements amples, les bijoux pendants ou les cheveux longs peuvent se prendre dans les pièces mobiles.
7. **Si des dispositifs sont fournis pour le raccordement d'équipements de dépoussiérage et de récupération, assurez-vous qu'ils sont connectés et utilisés correctement.** *L'utilisation d'un dispositif de récupération des poussières peut réduire les risques associés aux poussières.*
8. **Même si vous avez l'habitude d'utiliser les outils, ne relâchez pas votre attention et n'ignorez pas les principes de sécurité des outils.** *Une imprudence peut causer des blessures graves en une fraction de seconde.*

De nombreux accidents sont causés par des outils électriques en mauvais état.

6. **Gardez les outils de coupe propres et bien affûtés.** *Des outils de coupe entretenus correctement et bien affûtés sont moins susceptibles de coincer et sont plus faciles à contrôler.*
7. **Utilisez l'outil électrique, les accessoires, les outils rapportés, etc. en conformité avec ces instructions, en tenant compte des conditions de travail et de la tâche à réaliser.** *L'utilisation de l'outil électrique pour des opérations autres que celles prévues peut engendrer une situation dangereuse.*
8. **Gardez les poignées et surfaces de préhension sèches, propres et exemptes d'huile et de graisse.** *Les poignées et les surfaces de préhension glissantes ne permettent pas de manipuler et de contrôler l'outil en toute sécurité dans des situations imprévues.*

IV. Utilisation et entretien des outils électriques

1. **Ne faites pas forcer l'outil électrique. Utilisez l'outil électrique correct pour la tâche à accomplir.** *Un outil électrique adapté donnera de meilleurs résultats et sera moins dangereux s'il est utilisé dans les limites prévues.*
2. **Ne vous servez pas de l'outil électrique si l'interrupteur marche/arrêt ne permet pas de le mettre en marche et de l'arrêter correctement.** *Un outil électrique qui ne peut pas être commandé par l'interrupteur marche/arrêt est dangereux et doit être réparé.*
3. **Débranchez l'outil de la source d'alimentation et/ou enlevez la batterie de l'outil, si elle est amovible, avant d'effectuer des réglages, de changer d'accessoire ou de ranger l'outil.**
Ces mesures de sécurité préventives réduisent le risque de démarrage accidentel de l'outil.
4. **Rangez les outils électriques non utilisés hors de portée des enfants et ne confiez leur utilisation qu'à des personnes connaissant leur maniement et ayant lu ces instructions.**
Les outils électriques sont dangereux s'ils sont mis entre les mains d'utilisateurs novices.
5. **Effectuez l'entretien des outils et des accessoires. Assurez-vous qu'aucune pièce n'est mal alignée, grippée, cassée ou présente tout autre défaut susceptible d'affecter le bon fonctionnement de l'outil électrique. S'il est endommagé, faites réparer l'outil électrique avant de l'utiliser.**

V. Utilisation et entretien des outils à batterie

1. **Ne les rechargez qu'avec le chargeur spécifié par le fabricant.** *Un chargeur convenant à un type de batterie peut créer un risque d'incendie s'il est utilisé avec une autre batterie.*
2. **Utilisez les outils électriques uniquement avec les batteries spécifiquement prévues.** *L'utilisation d'autres batteries peut créer un risque de blessure et d'incendie.*
3. **Lorsque la batterie ne sert pas, rangez-la à distance d'objets métalliques tels que trombones, pièces de monnaie, clés, clous, vis ou autre petit objet métallique qui pourrait relier les bornes entre elles.** *Un court-circuit aux bornes de la batterie peut causer des brûlures ou un incendie.*
4. **Du liquide peut s'échapper de la batterie en cas d'utilisation abusive; évitez tout contact avec le liquide. En cas de contact accidentel, rincez à l'eau. En cas de contact du liquide avec les yeux, consultez en plus un médecin.** *Le liquide qui s'échappe de la batterie peut causer des irritations ou des brûlures.*
5. **N'utilisez pas une batterie ou un outil qui a été endommagé(e) ou modifié(e).** *Les batteries endommagées ou modifiées peuvent se comporter de manière imprévisible et causer un incendie, une explosion ou des blessures.*
6. **N'exposez pas les batteries ou les outils au feu ou à une température excessive.** *L'exposition au feu ou à une température supérieure à 130 °C (265 °F) peut provoquer une explosion.*
7. **Suivez toutes les instructions de charge et ne chargez pas la batterie ou l'outil en dehors de la plage de température spécifiée dans les instructions.** *Une charge incorrecte ou à des températures en dehors de la plage spécifiée peut endommager la batterie et augmenter le risque d'incendie.*

VI. Entretien

1. **Confiez l'entretien de votre outil électrique à un réparateur qualifié utilisant exclusivement des pièces de rechange identiques.** *La sécurité de votre outil électrique sera ainsi maintenue.*
2. **Ne faites jamais l'entretien des batteries endommagées.** *L'entretien des batteries ne doit être effectué que par le fabricant ou les fournisseurs de services autorisés.*

VII. Consignes de sécurité concernant la tronçonneuse

1. **N'approchez aucune partie du corps de la tronçonneuse en marche. Avant de démarrer la tronçonneuse, vérifiez que la chaîne ne touche rien.** *En effet, un seul moment d'inattention pendant l'utilisation de la tronçonneuse et la chaîne peut happer les vêtements ou une partie du corps.*
2. **Tenez toujours la tronçonneuse en posant la main droite sur la poignée arrière et la main gauche sur la poignée avant.** *N'inversez jamais la position des mains sur les poignées, car vous vous exposez alors à risque accru de blessures.*
3. **Tenez la tronçonneuse uniquement par les surfaces de maintien isolées, car la chaîne peut toucher des câbles cachés.** *Si la chaîne de la tronçonneuse entre en contact avec un câble « sous tension », les pièces métalliques exposées peuvent également être mises « sous tension » et causer un choc électrique pour l'utilisateur.*
4. **Portez une protection oculaire. Le port d'équipements de protection supplémentaires est recommandé, notamment pour l'audition, la tête, les mains, les jambes et les pieds.** *Le port d'équipements de protection adaptés réduit les risques de blessures occasionnées par la projection de débris ou un contact accidentel avec la chaîne de la tronçonneuse.*
5. **Ne vous servez pas d'une tronçonneuse lorsque vous trouvez dans un arbre, sur une échelle, sur un toit ou sur un support instable.** *L'utilisation d'une tronçonneuse de cette manière peut entraîner de graves blessures.*
6. **Tenez-vous toujours bien d'aplomb sur une surface stable, ferme et de niveau quand vous utilisez la tronçonneuse.** *Les surfaces glissantes ou instables, telles les échelles, peuvent vous faire perdre l'équilibre ou le contrôle de la tronçonneuse.*
7. **Lorsque vous coupez une branche soumise à une tension, méfiez-vous de l'effet de retour.** *Lorsque les fibres de bois se détendent, la branche peut venir vous heurter et/ou vous faire perdre le contrôle de la tronçonneuse.*
8. **Faites preuve d'une extrême prudence lorsque vous coupez des broussailles ou de jeunes arbres.** *Le bois mince peut se coincer dans la tronçonneuse et vous heurter ou vous déséquilibrer par effet de retour.*

9. **Transportez la tronçonneuse arrêtée en la tenant par la poignée avant et en l'écartant du corps. Enfilez toujours l'étui sur le guide-chaîne quand vous transportez ou rangez la tronçonneuse.***Le maniement correct de la tronçonneuse réduit risque de contact accidentel avec la chaîne quand elle est en marche.*
10. **Suivez les instructions de graissage, de réglage de tension de la chaîne, et de remplacement du guide-chaîne et de la chaîne.** *Une chaîne mal tendue ou mal graissée peut se rompre ou augmenter le risque de rebond.*
11. **Ne coupez que du bois. N'utilisez pas la tronçonneuse à d'autres fins que celle prévue. Par exemple : n'utilisez pas la tronçonneuse pour couper du métal, du plastique, des matériaux de maçonnerie ou des matériaux de construction autres que le bois.** *L'utilisation de la tronçonneuse pour des opérations autres que celle prévue peut engendrer une situation dangereuse.*
12. **N'essayez pas d'abattre un arbre avant d'avoir compris les risques et la façon de les éviter.** *L'opérateur ou les personnes présentes lors de l'abattage d'un arbre pourraient subir de graves blessures.*
13. **Suivez toujours les instructions quand vous enlevez des matériaux coincés, quand vous rangez ou faites l'entretien de la tronçonneuse. Assurez-vous que le commutateur est en position arrêt et que la batterie est retirée.** *La mise en marche inopinée de la machine pendant le dégagement d'une obstruction ou l'entretien peut entraîner des blessures graves.*
14. **Causes et prévention du rebond par l'utilisateur.***Un rebond peut se produire lorsque le nez ou l'extrémité avant du guide-chaîne rencontre un objet, ou lorsque le bois se referme et coince la chaîne de l'élagueuse.*

Le contact de l'extrémité avant peut causer une réaction inverse subite qui va propulser le guide-chaîne en haut et en arrière, vers l'utilisateur.

Si la chaîne se coince au sommet du guide-chaîne, celui-ci peut être repoussé rapidement vers l'utilisateur.

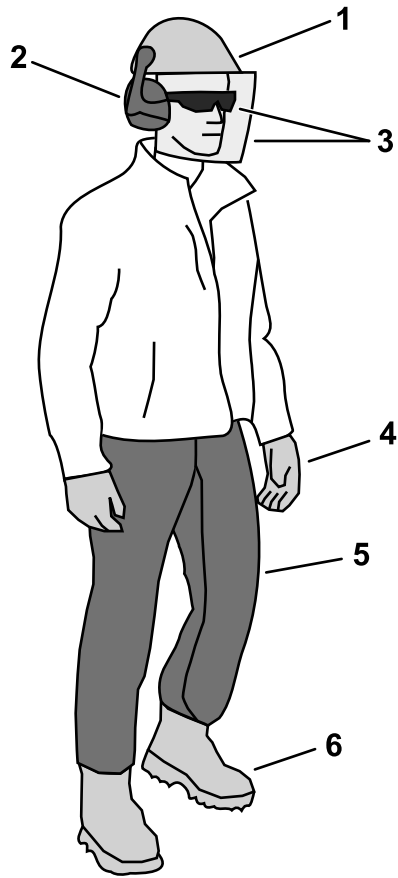
Chacune de ces réactions peut vous faire perdre le contrôle de l'élagueuse et causer de graves blessures. Ne vous fiez pas exclusivement aux dispositifs de sécurité intégrés à la tronçonneuse. L'utilisateur de la tronçonneuse doit prendre une série de mesures pour éviter les accidents ou blessures lors de la coupe.

Le rebond est causé par une mauvaise utilisation de la chaîne et/ou des méthodes ou des conditions d'utilisation incorrectes; ce phénomène peut être évité en prenant les précautions appropriées indiquées ci-après :

- A. **Tenez fermement les poignées de la tronçonneuse avec le pouce et les doigts des deux mains et positionner le corps et les bras de manière à pouvoir résister aux forces de rebond.***Les forces de rebond peuvent être contrôlées par l'utilisateur s'il adopte les précautions voulues. Ne lâchez pas la tronçonneuse.*
- B. **Ne vous penchez pas trop en avant et ne coupez pas au-delà de la hauteur d'épaules.** *Cela permet d'éviter un contact accidentel de l'extrémité avant et assure un meilleur contrôle de la tronçonneuse dans les situations imprévues.*
- C. **Utilisez exclusivement les guide-chaînes et les chaînes de rechange spécifiés par le fabricant.** *L'utilisation de guide-chaînes et de chaînes de rechange du mauvais type peut causer la rupture de la chaîne et/ou causer le rebond de l'outil.*
- D. **Suivez les instructions d'affutage et d'entretien du fabricant de la chaîne.** *Le phénomène de rebond peut être accru si la hauteur de la jauge de profondeur diminue.*

CONSERVEZ CES INSTRUCTIONS

Équipement de protection individuelle



g316566

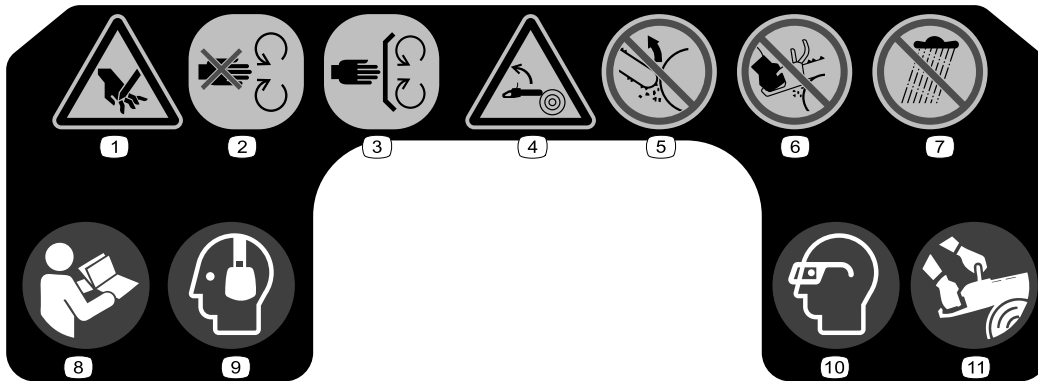
Figure 3

- | | |
|--|--|
| 1. Porter un casque si des débris sont susceptibles de toucher la tête | 4. Porter des gants |
| 2. Porter des protecteurs d'oreilles | 5. Porter un pantalon de protection ou des jambières-tablier |
| 3. Porter des lunettes de sécurité et/ou écran facial | 6. Porter des chaussures robustes à semelle antidérapante |
-

Autocollants de sécurité et d'instruction



Des autocollants de sécurité et des instructions bien visibles par l'opérateur sont placés près de tous les endroits potentiellement dangereux. Remplacez tout autocollant endommagé ou manquant.



145-8273

decal145-8273

1. Risque de coupure des mains
2. Ne vous approchez pas des pièces en mouvement.
3. Gardez toutes les protections et tous les capots en place.
4. Risque de rebond
5. Ne touchez pas d'objets avec l'extrémité du guide-chaîne.
6. N'utilisez pas la tronçonneuse en la tenant d'une seule main.
7. Ne pas exposer à la pluie.
8. Lisez le *Manuel de l'utilisateur*.
9. Portez des protecteurs d'oreilles.
10. Portez une protection oculaire.
11. Tenez toujours la tronçonneuse des deux mains pendant l'utilisation.



decal140-2163

140-2163



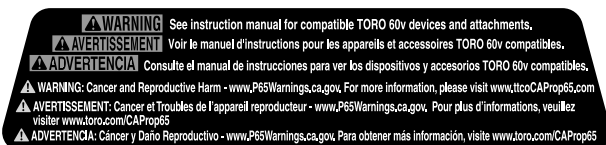
decal137-9454

137-9454



decal145-2167

140-2167



decal145-8271

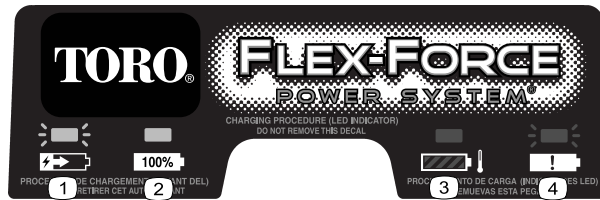
145-8271

1. Lisez le *Manuel de l'utilisateur*.
2. Programme de recyclage des batteries Call2Recycle®
3. Tenir à l'écart du feu ou des flammes.
4. Ne pas exposer à la pluie.



137-9462

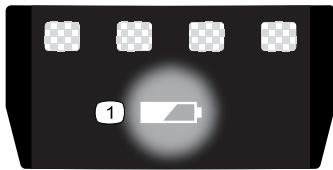
decal137-9462



137-9463

decal137-9463

1. La batterie est en charge.
2. La batterie est complètement chargée.
3. La température de la batterie est supérieure ou inférieure à la plage de température appropriée.
4. Anomalie de charge de la batterie



137-9461

decal137-9461

1. État de charge de la batterie

Mise en service

Important: La batterie n'est pas complètement chargée à l'achat. Avant la toute première utilisation de la machine, voir [Charge de la batterie \(page 21\)](#).

Montage du chargeur de batterie (option)

Si vous le souhaitez, vous pouvez fixer le chargeur de batterie solidement sur un mur à l'aide des fentes situées au dos.

Montez-le à l'intérieur (par exemple dans un garage ou tout autre endroit à l'abri de l'humidité), à proximité d'une prise de courant et hors de la portée des enfants.

Voir la [Figure 1](#) pour vous aider à monter le chargeur.

Pour fixer le chargeur en place, insérez-le sur les fixations installées à la bonne position (fixations non incluses).

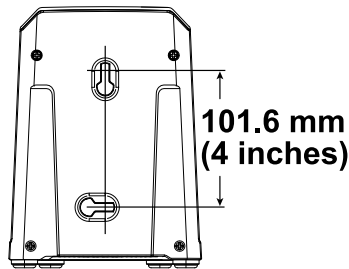


Figure 4

g290534

Remplissage de la tronçonneuse avec de l'huile pour guide-chaîne et chaîne

Important: Utilisez uniquement de l'huile pour guide et chaîne (vendue séparément).

Remplissez la tronçonneuse avec de l'huile pour guide-chaîne et chaîne ; voir [Contrôle du niveau d'huile et appoint d'huile pour guide-chaîne et chaîne \(page 22\)](#).

Vue d'ensemble du produit

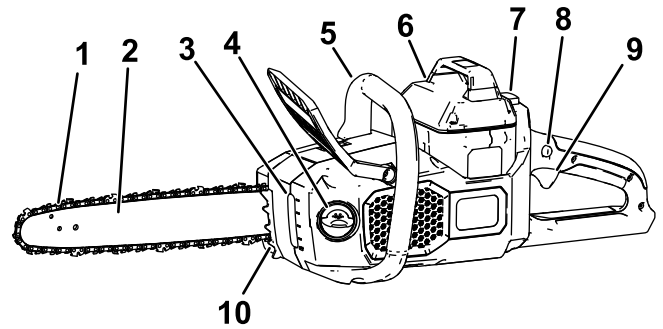


Figure 5

Côté gauche montré

g315699

- | | |
|-----------------------------|-----------------------|
| 1. Chaîne | 6. Batterie |
| 2. Guide-chaîne | 7. Verrou du bouton |
| 3. Regard de niveau d'huile | 8. Verrou de gâchette |
| 4. Bouchon d'huile | 9. Gâchette |
| 5. Poignée avant | 10. Griffes |

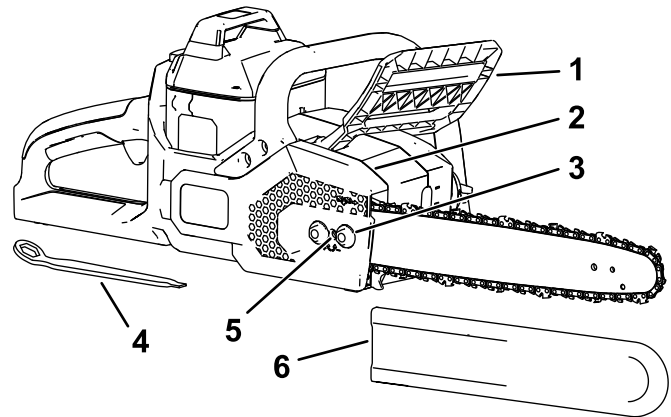


Figure 6

Côté droit montré

g315700

- | | |
|------------------------------|--|
| 1. Frein de chaîne | 4. Outil multifonction (situé sous la poignée arrière) |
| 2. Couvercle latéral | 5. Vis de réglage de tension de la chaîne |
| 3. Écrou de couvercle captif | 6. Étui du guide-chaîne |

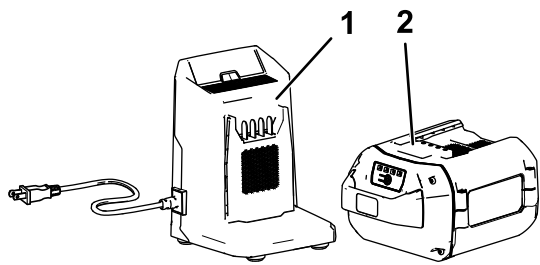


Figure 7

g355813

1. Chargeur de batterie modèle 88620 (inclus avec le modèle 51850)
2. Batterie modèle 88625 (incluse avec le modèle 51850)

Accessoires/outils

Une sélection d'outils et accessoires agréés par Toro est disponible pour augmenter et améliorer les capacités de la machine. Pour obtenir la liste de tous les accessoires et outils agréés, contactez votre dépositaire-réparateur ou distributeur agréé, ou rendez-vous sur le site www.Toro.com.

Pour garantir un rendement optimal et conserver la certification de sécurité de la machine, utilisez uniquement des pièces de rechange et accessoires Toro d'origine. Les pièces de rechange et accessoires d'autres constructeurs peuvent être dangereux.

Caractéristiques techniques

Modèle	51850/51850T
Longueur du guide (avec 88613 et 88614 montés)	40,6 cm (16 po)
Jauge de chaîne (avec 88613 et 88614 montés)	0,043 po
Pas de chaîne (avec 88613 et 88614 montés)	3/8 po
Longueur de chaîne (avec 88613 et 88614 montés)	56 maillons
Tension nominale	60 V c.c. maximum, 54 V c.c. utilisation nominale
Poids (sans batterie)	4,35 kg (9,59 lb)
Type de chargeur	Chargeurs de batteries ion-lithium Toro de 60 V
Type de batterie	Batteries ion-lithium Toro de 60 V

Plages de température adéquates

Charger/ranger la batterie entre	5 °C (41 °F) et 40 °C (104 °F)*
Utiliser la batterie entre	-30 °C (-22 °F) et 49 °C (120 °F)*
Utiliser l'outil entre	0 °C (32 °F) et 49 °C (120 °F)*

*Le temps de charge sera plus long en dehors de cette plage de température.

Rangez l'outil, la batterie et le chargeur dans un lieu fermé, propre et sec.

Utilisation

Avant d'utiliser la tronçonneuse

Avant d'utiliser la tronçonneuse, effectuez la procédure suivante :

- Contrôlez la tension de la chaîne; voir [Réglage de la tension de la chaîne \(page 24\)](#).
- Nettoyez les composants de la tronçonneuse, vérifiez qu'ils ne sont pas excessivement usés ou endommagés, et remplacez-les au besoin ; voir [Entretien du guide, de la chaîne et du pignon d'entraînement \(page 24\)](#).
- Vérifiez si la chaîne est émoussée ou endommagée; aiguissez ou remplacez-la au besoin; voir [Affûtage de la chaîne \(page 26\)](#).
- Vérifiez le niveau d'huile; voir [Contrôle du niveau d'huile et appoint d'huile pour guide-chaîne et chaîne \(page 22\)](#).
- Contrôlez le frein de chaîne; voir [Contrôle du frein de chaîne \(page 23\)](#).
- Vérifiez l'état, l'aspect général et le fonctionnement de la tronçonneuse; assurez-vous que les commutateurs bougent librement, que les événements et les poignées sont propres, et que le guide-chaîne n'est pas faussé ou endommagé.

Démarrage de la tronçonneuse

1. Assurez-vous que les événements sur la tronçonneuse sont exempts de poussière et de débris ([Figure 8](#)).

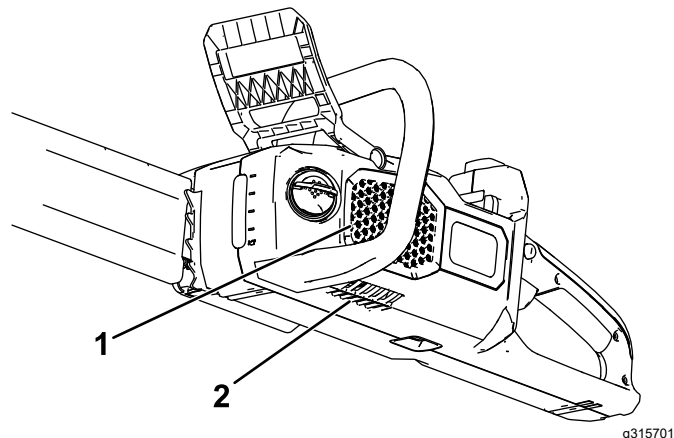


Figure 8

1. Évent latéral
2. Évent inférieur

2. Placez la tronçonneuse sur une surface plane et horizontale.
3. Alignez la languette de la batterie sur le logement dans la tronçonneuse ([Figure 9](#)).

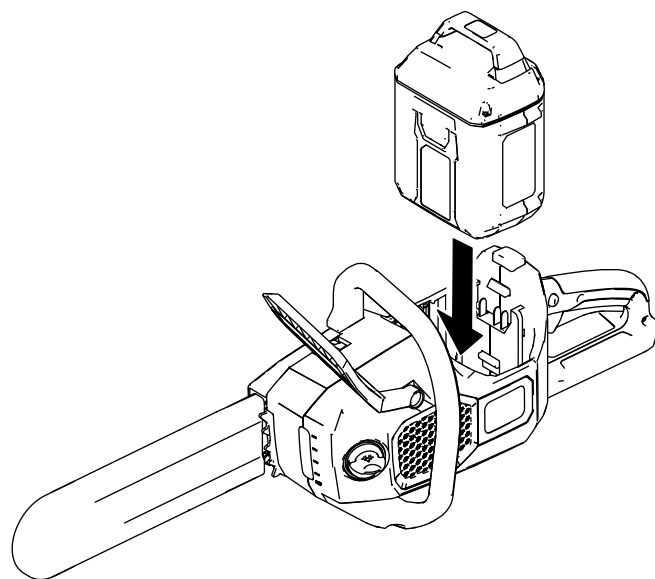


Figure 9

4. Insérez la batterie dans le logement jusqu'à ce qu'elle s'enclenche en place.
5. Enlevez le couvercle de protection de la chaîne.
6. Vérifiez que le frein de chaîne est en position de MARCHE ([Figure 10](#)).

Scier avec la tronçonneuse

⚠ ATTENTION

La mauvaise utilisation d'une tronçonneuse peut causer des blessures graves, voire mortelles.

Lisez attentivement et respectez toutes les instructions d'utilisation pour éviter de vous blesser.

⚠ ATTENTION

Les rebonds peuvent vous blesser gravement ou mortellement.

Contrôlez toujours le bon fonctionnement du frein de chaîne avant d'utiliser la tronçonneuse.

Évitez de toucher les pièces de bois que vous voulez scier avec l'extrémité du guide-chaîne.

Il existe deux types de rebond :

- Un déplacement rapide **vers le haut** de la tronçonneuse qui se produit quand le nez ou le haut du guide-chaîne entre en contact avec un objet.
- Un déplacement rapide **vers l'arrière** de la tronçonneuse qui se produit quand le nez ou le haut du guide-chaîne est pincé dans l'objet que vous sciez.

La [Figure 12](#) montre la partie du guide-chaîne qui ne doit pas entrer en contact avec un objet pour éviter un rebond.

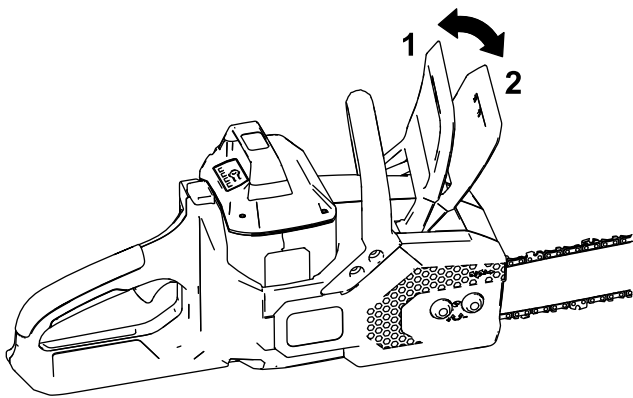


Figure 10

g315703

1. Frein de chaîne (position de MARCHÉ)
2. Frein de chaîne (position d'ARRÊT)

7. Tenez la poignée avant de la main gauche et la poignée arrière de la main droite, appuyez sur le verrou de gâchette et serrez la gâchette ([Figure 11](#)).

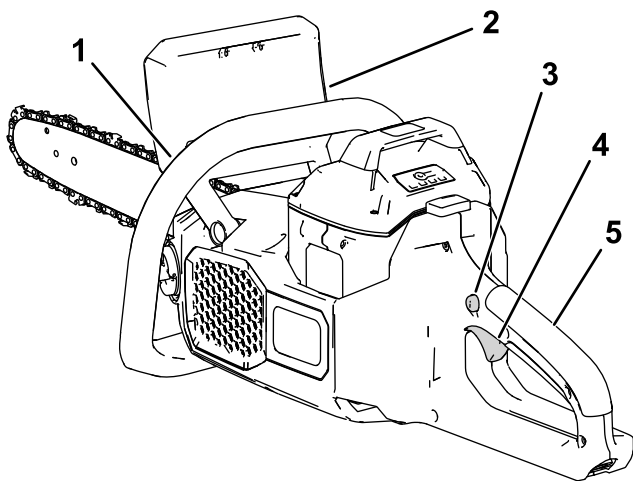


Figure 11

g315704

1. Poignée avant
2. Frein de chaîne
3. Verrou de gâchette
4. Gâchette
5. Poignée arrière

Arrêt de la tronçonneuse

Pour arrêter la tronçonneuse, relâchez la gâchette.

Quand vous n'utilisez pas la tronçonneuse ou que vous la transportez vers ou depuis la zone de travail, placez le frein de chaîne à la position d'ARRÊT ([Figure 10](#)) puis retirez la batterie.

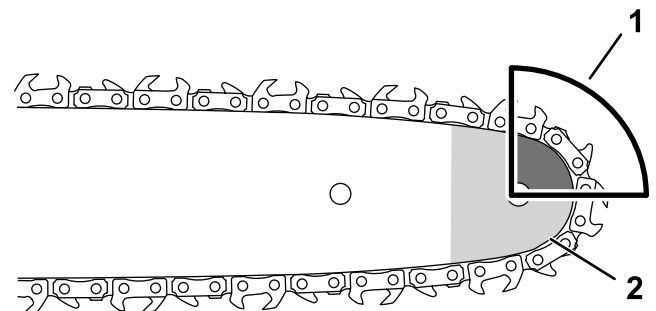


Figure 12

g318677

1. Zone de rebond (nez, haut du guide-chaîne)
2. Nez

1. Tenez fermement la tronçonneuse à deux mains, la main gauche sur la poignée avant et la main droite sur la poignée arrière, comme montré à la [Figure 13](#).

Important: Gardez le bras gauche tendu en bloquant le coude pour réduire le rebond.

Élagage d'un arbre

⚠ ATTENTION

L'élagage des branches hautes d'un arbre peut vous placer dans une position instable et potentiellement dangereuse pendant le maniement d'une tronçonneuse et causer des blessures graves ou mortelles à vous même ou à des personnes à proximité.

Lorsque vous élaguez un arbre debout, utilisez les pratiques suivantes :

- **Ne grimpez pas sur les branches en tenant une tronçonneuse.**
- **Ne vous penchez pas trop en avant et coupez en tenant la tronçonneuse à deux mains.**
- **Veillez à éloigner toutes les personnes de la zone de chute des branches.**

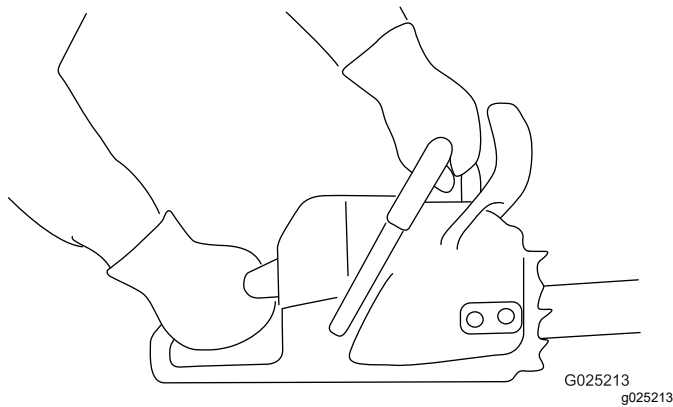


Figure 13

2. Tenez vous sur une surface stable et de niveau devant le bois que vous voulez couper.
3. Tenez-vous sur le **côté gauche** de la tronçonneuse, et non pas directement **dans l'axe de la chaîne**, et calez-vous bien sur les pieds de manière à ne pas perdre l'équilibre pendant que vous sciez.

Important: Ne montez pas sur la pièce de bois que vous êtes en train de scier.

4. Veillez à ne couper que la pièce prévue; la chaîne ne doit pas toucher le sol, d'autres billes ou tout autre objet.
5. Vérifiez que la chaîne tourne à la vitesse maximale avant de commencer à couper.
6. Coupez le bois près de l'arrière du guide-chaîne, près des griffes; appuyez la chaîne légèrement contre le bois et laissez agir le poids de la scie pour couper.

Remarque: Vous pouvez utiliser les griffes (Figure 14) pour exercer une légère pression.

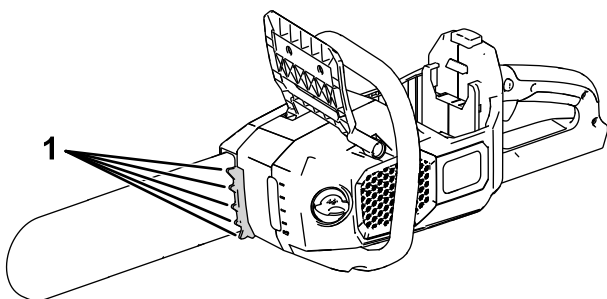


Figure 14

1. Griffes

7. Maintenez une pression régulière sur la tronçonneuse, et coupez en ligne droite en ne relâchant la pression que vers la fin de la coupe.

1. Tenez fermement la tronçonneuse comme montré à la Figure 13.
2. Pour scier les petites branches, exercez une légère pression dessus.
3. Pour les branches de plus gros diamètre, pratiquez une incision peu profonde sous la branche, puis terminez la coupe par le dessus de la branche.
 - A. Coupez par le dessous de la branche à environ 15 cm (6 po) du tronc. Coupez un tiers de l'épaisseur de la branche.
 - B. Coupez de 5 à 10 cm (2 à 4 po) plus loin sur la branche et par le dessus. Sciez la branche jusqu'à ce qu'elle tombe.
 - C. Coupez le chicot au niveau du collet de la branche (Figure 15).

Important: Ne coupez pas la branche au-delà du collet, au ras du tronc, ou ne laissez pas un chicot trop important; cela endommage l'arbre.

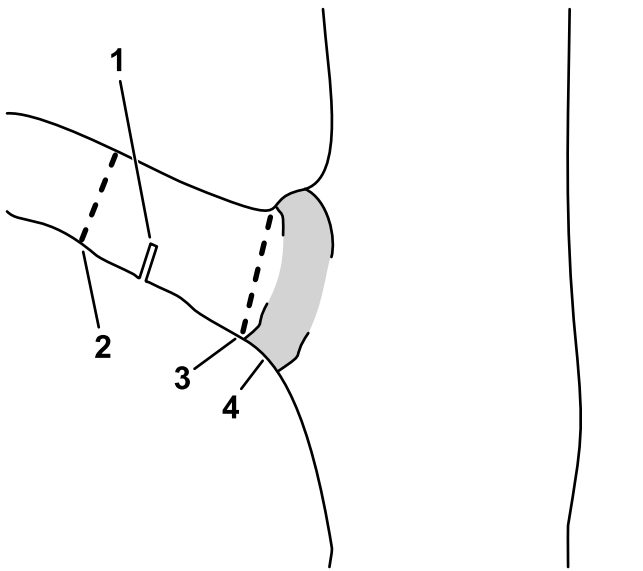


Figure 15

- | | |
|--------------------------------------|--|
| 1. Première incision sous la branche | 3. Coupe finale de suppression du chicot |
| 2. Deuxième coupe complète | 4. Collet (point de transition entre le tronc et la branche) |

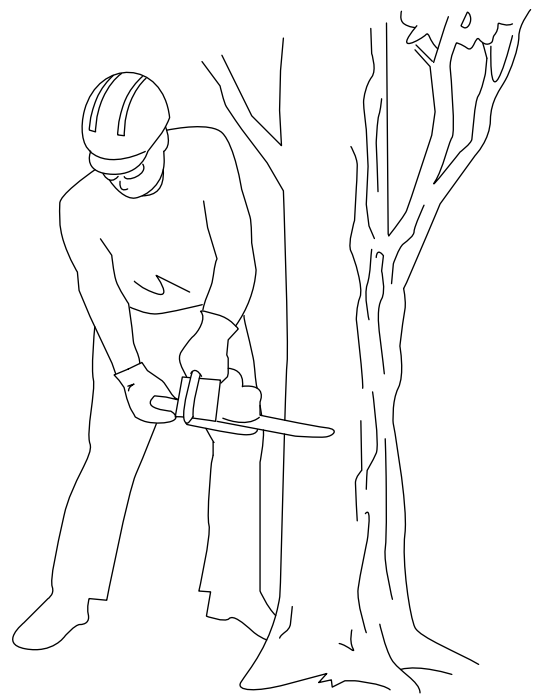


Figure 16

Abattage d'un arbre

⚠ ATTENTION

L'abattage des arbres exige de l'expertise et présente des risques.

- Avant d'essayer d'abattre un gros arbre, entraînez-vous sur quelques branches ou petits rondins pour vous familiariser avec le maniement de la tronçonneuse.
- N'utilisez pas cette tronçonneuse pour abattre des arbres dont le diamètre est supérieur à la longueur du guide-chaîne.

⚠ DANGER

Les branches détachées ou enchevêtrées au-dessus de vous peuvent être délogées par les vibrations produites pendant la coupe, et causer des blessures graves, voire mortelles.

Vérifiez toujours au-dessus de vous s'il y a des branches détachées ou enchevêtrées, et enlevez-les avant de scier.

La posture correcte à adopter pour abattre un arbre est illustrée à la [Figure 16](#).

1. Déterminez la direction de chute de l'arbre. Tenez compte des facteurs suivants :
 - Direction du vent
 - Branches plus lourdes d'un côté de l'arbre
 - Inclinaison naturelle de l'arbre (éventuellement)
2. Prévoyez une voie de repli dégagée et sûre à partir de la zone dangereuse; voir [Figure 17](#).

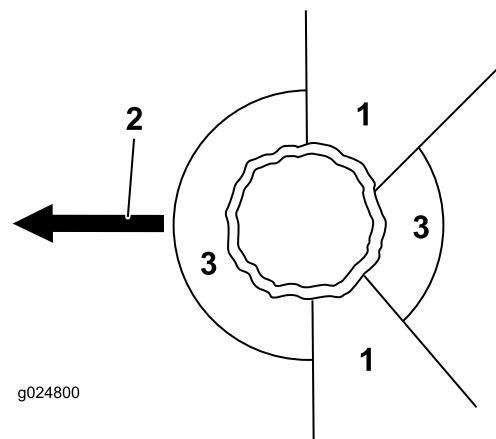


Figure 17

1. Voie de repli (angle de 45° à l'opposé de direction prévue de la chute)
2. Direction prévue de la chute
3. Zone dangereuse

3. Tenez fermement la tronçonneuse comme montré ([Figure 13](#)).

- Commencez par couper le tiers du diamètre de l'arbre, du côté où vous voulez qu'il tombe ([Figure 18](#)).

Remarque: Cette première coupe évite à la tronçonneuse de se coincer pendant que vous pratiquez la coupe suivante.

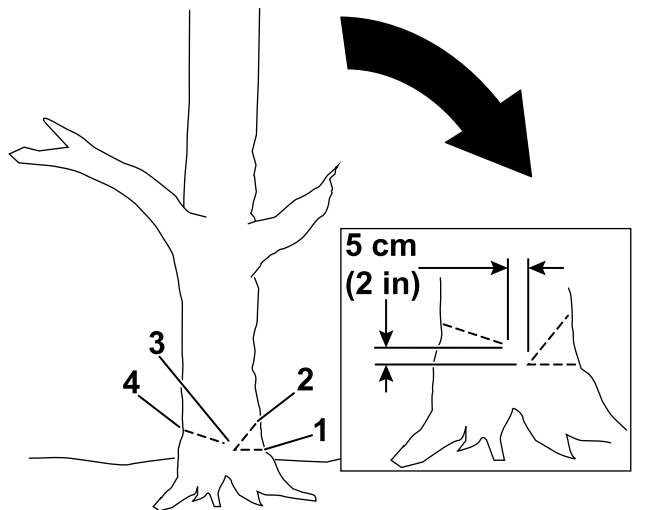


Figure 18

- | | |
|-------------------|---------------------|
| 1. Première coupe | 3. Charnière |
| 2. Deuxième coupe | 4. Trait d'abattage |

- Faites une deuxième coupe oblique pour former une encoche, en commençant au moins 5 cm (2 po) au-dessus de la première coupe ([Figure 18](#)).

Important: Vérifiez que la première et la deuxième coupe se rejoignent au même point, pour former une entaille nette.

- Faites le trait d'abattage du côté opposé à l'encoche et environ 5 cm (2 po) plus haut que le bas de l'encoche, comme montré à la [Figure 18](#).

Important: Arrêtez la troisième coupe 2,5 à 5 cm (1 à 2 po) avant l'encoche pour former une charnière entre les coupes ([Figure 18](#)), ce qui empêche l'arbre de tomber dans la mauvaise direction ou de pivoter dans sa chute.

Remarque: Quand le trait d'abattage approche de la charnière ([Figure 18](#)), l'arbre devrait commencer à tomber.

- Quand l'arbre commence à tomber, retirez la tronçonneuse, arrêtez-la, posez-la et reculez le long de la voie de repli établie à l'étape 2.

Important: Si l'arbre commence à tomber du mauvais côté, cessez immédiatement de couper, arrêtez la tronçonneuse, posez-la et placez un coin non métallique dans l'entaille, puis poussez l'arbre dans la direction voulue.

Ébranchage d'un arbre abattu

1. Tenez fermement la tronçonneuse comme montré à la [Figure 13](#).
2. Au-dessus de la base de l'arbre, coupez les petites branches qui ne supportent pas le poids de l'arbre au-dessus du sol ([Figure 19](#)).
3. Coupez les grosses branches qui supportent le poids de l'arbre en procédant de bas en haut pour éviter que les branches pincent la lame ([Figure 20](#)).

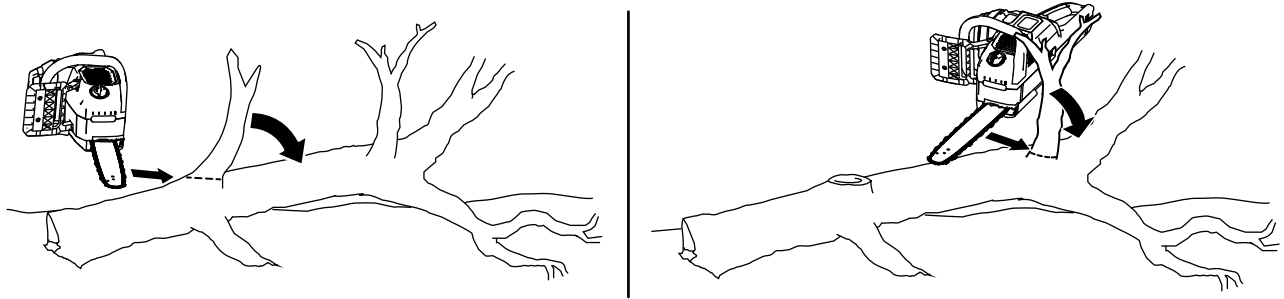


Figure 19

g316601

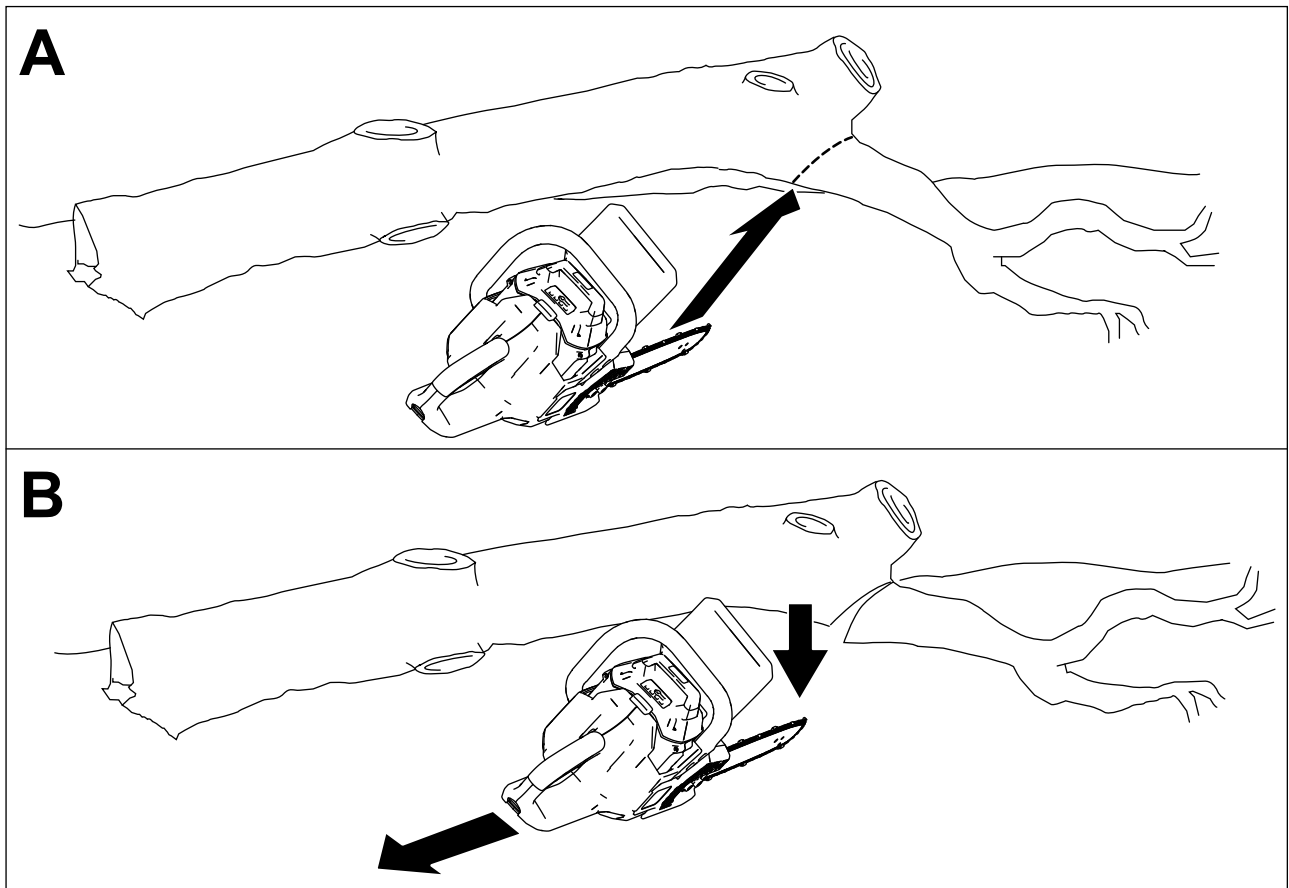


Figure 20

g315751

Tronçonnage

Lors du tronçonnage d'une bille, notez où elle est soutenue et où se trouve la charge. Coupez la bille de telle manière que lorsque les extrémités tombent, le guide-chaîne ne reste pas coincé entre elles.

Important: Si la tronçonneuse se coince dans l'entaille, n'essayez pas de la dégager en faisant tourner le moteur. Arrêtez la tronçonneuse, retirez la batterie, puis insérez un coin dans l'entaille pour l'ouvrir et pouvoir ainsi dégager la lame.

Si vous sciez les branches d'un arbre abattu ou que vous tronçonnez des billes, soutenez la bille au-dessus du sol (de préférence sur un chevalet).

- Si la bille est soutenue de chaque côté, mais pas au centre, la charge est alors au centre de la bille.
 - Commencez par dessus et sciez à peu près le tiers du diamètre de la bille (Figure 21A).
 - Pratiquez une seconde coupe par le dessous pour rejoindre la première (Figure 21B). Cela évite à la lame de rester coincée dans la bille.

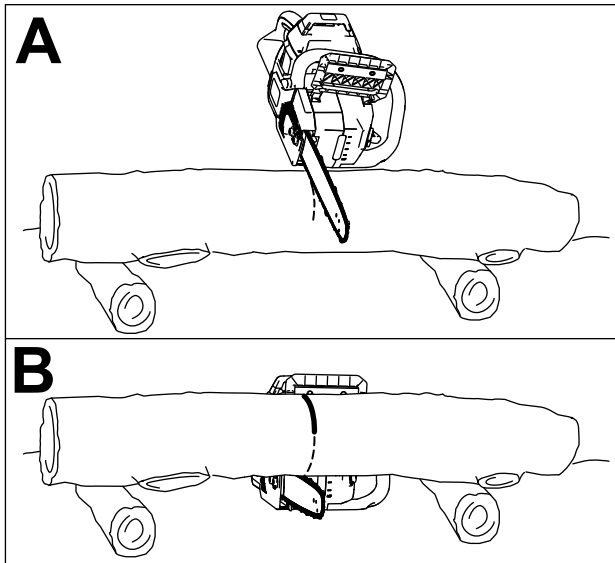


Figure 21

g315765

- Si la bille n'est soutenue que d'un côté, la charge se situe du côté libre.
 - Commencez par dessous et sciez à peu près le tiers du diamètre de la bille.
 - Pratiquez une seconde coupe au-dessus pour rejoindre la première. Cela évite à la lame de rester coincée dans la bille.
- Si la bille est soutenue sur toute sa longueur au-dessus du sol, sans aucune charge lourde où que ce soit, sciez complètement la bille en partant du haut.
- Si la grume se trouve sur une pente, tenez-vous toujours en amont (Figure 22).

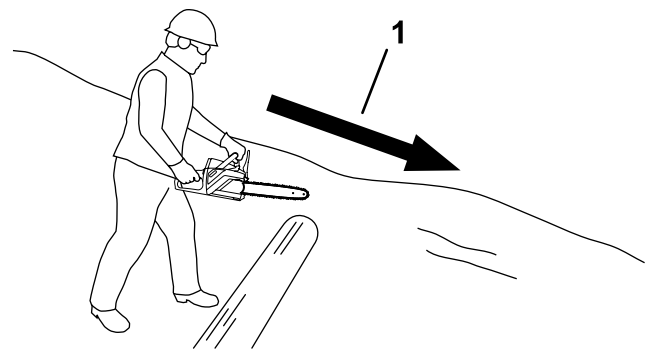


Figure 22

g315767

1. Sens de la pente

- Si la bille repose sur toute la longueur à plat sur un sol de niveau, sciez un tiers du diamètre en partant du haut, puis faites rouler la bille pour exposer le dessous et pratiquez une autre coupe pour rejoindre la première (Figure 23).

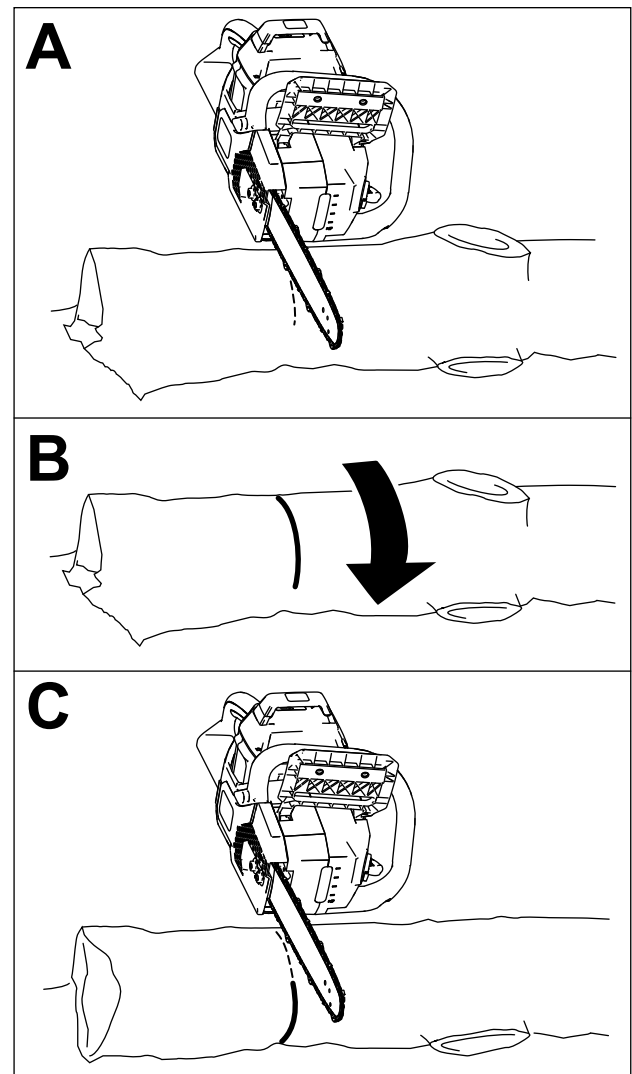


Figure 23

g315766

Mise en place de la batterie

Important: Utilisez la batterie uniquement à des températures comprises dans la plage adéquate; voir [Caractéristiques techniques \(page 12\)](#).

1. Placez la tronçonneuse sur une surface plane et horizontale.
2. Alignez la languette de la batterie sur le logement dans la tronçonneuse ([Figure 24](#)).

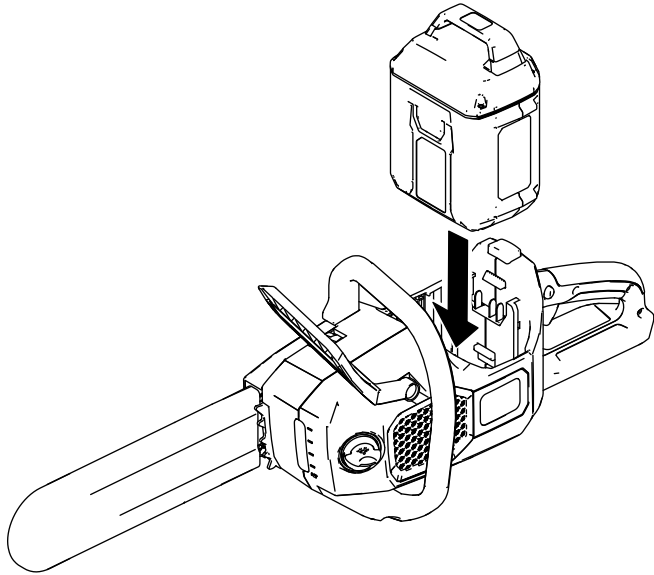


Figure 24

g315702

Retrait de la batterie

1. Placez la tronçonneuse sur une surface plane et horizontale.
2. Appuyez sur la languette pour sortir la batterie de son logement.

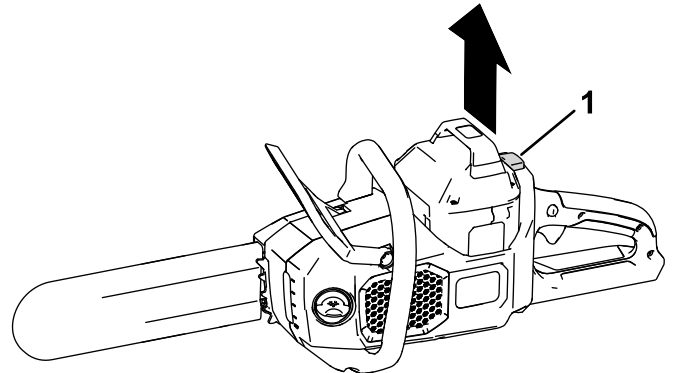


Figure 25

g315763

1. Languette

-
3. Insérez la batterie dans le logement jusqu'à ce qu'elle s'enclenche en place.

Charge de la batterie

Important: La batterie n'est pas complètement chargée à l'achat. Avant d'utiliser l'outil pour la première fois, placez la batterie dans le chargeur et chargez-la jusqu'à ce que les diodes indiquent que la batterie est complètement chargée. Lisez toutes les consignes de sécurité.

Important: Chargez la batterie uniquement à des températures comprises dans la plage adéquate; voir [Caractéristiques techniques \(page 12\)](#).

Remarque: À tout moment, appuyez sur le bouton indicateur de charge de la batterie pour afficher la charge actuelle (diodes).

1. Vérifiez que les événements de la batterie et du chargeur sont exempts de poussière et de débris.

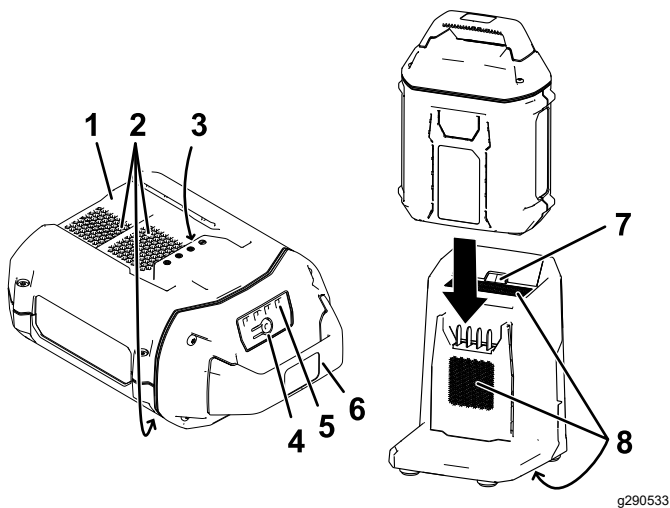


Figure 26

1. Creux de la batterie
 2. Événements de la batterie
 3. Bornes de la batterie
 4. Bouton indicateur de charge
 5. Diodes (charge actuelle)
 6. Poignée
 7. Diode du chargeur
 8. Événements du chargeur
2. Placez le creux de la batterie ([Figure 26](#)) en face de la languette du chargeur.
 3. Glissez la batterie dans le chargeur jusqu'à ce qu'elle soit complètement enclenchée ([Figure 26](#)).
 4. Pour retirer la batterie du chargeur, faites-la glisser vers l'arrière.

5. Reportez-vous au tableau ci-dessous pour interpréter les indications de la diode sur le chargeur de batterie.

Diode	Indication
Éteinte	Pas de batterie présente
Clignotement vert	La batterie est en charge
Verte	La batterie est chargée
Rouge	La température du chargeur et/ou de la batterie est supérieure ou inférieure à la plage appropriée.
Clignotement rouge	Anomalie de charge de la batterie*

*Voir la section [Dépistage des défauts \(page 28\)](#) pour plus de précisions.

Important: Vous pouvez laisser la batterie dans le chargeur pendant une courte période entre deux utilisations.

Si la batterie ne doit pas servir pendant une période prolongée, retirez-la du chargeur; voir [Remisage \(page 27\)](#).

Entretien

Programme d'entretien recommandé

Périodicité d'entretien	Procédure d'entretien
À chaque utilisation ou une fois par jour	<ul style="list-style-type: none">• Contrôlez le niveau d'huile et faites l'appoint d'huile pour guide-chaîne et chaîne au besoin.• Contrôle du frein de chaîne.• Vérifiez que l'huile arrive jusqu'à la chaîne.• Vérifiez et réglez la tension de la chaîne au besoin.• Vérifiez que le guide est droit et en bon état.• Contrôlez le tranchant des dents de la chaîne; demandez à un dépositaire-réparateur agréé d'affûter ou de remplacer la chaîne.
Après chaque cycle de décharge de la batterie	<ul style="list-style-type: none">• Contrôlez le niveau d'huile et faites l'appoint d'huile pour guide-chaîne et chaîne au besoin.• Contrôle du frein de chaîne.• Vérifiez et réglez la tension de la chaîne au besoin.
Une fois par an ou avant le remisage	<ul style="list-style-type: none">• Faites l'entretien du guide, de la chaîne et du pignon d'entraînement.• Contrôlez le tranchant des dents de la chaîne; demandez à un dépositaire-réparateur agréé d'affûter ou de remplacer la chaîne.

Contrôle du niveau d'huile et appoint d'huile pour guide-chaîne et chaîne

Périodicité des entretiens: À chaque utilisation ou une fois par jour

Après chaque cycle de décharge de la batterie

Important: Utilisez uniquement de l'huile pour guide et chaîne (vendue séparément).

1. Arrêtez la tronçonneuse et enlevez la batterie; voir [Retrait de la batterie \(page 20\)](#).
2. Vérifiez le niveau d'huile par le regard. Si l'huile ne recouvre pas le regard, faites l'appoint d'huile pour guide-chaîne et chaîne selon les besoins ([Figure 27](#)).

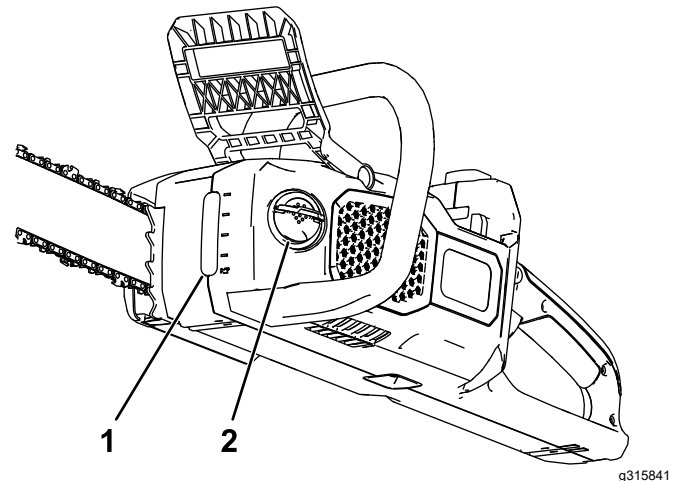


Figure 27

1. Regard de niveau d'huile 2. Bouchon d'huile

3. Placez la tronçonneuse sur une surface plane, avec le bouchon d'huile en haut.
 4. Nettoyez la surface autour du bouchon d'huile ([Figure 27](#)).
- Remarque:** Veillez à ne pas faire tomber de débris/copeaux de bois dans le réservoir d'huile.
5. Dépliez la languette de l'écrou à oreilles sur la languette du bouchon d'huile, et remplissez le réservoir d'huile pour guide et chaîne ([Figure 27](#)).

Important: Le niveau d'huile ne doit pas dépasser la base du goulot de remplissage.

- Nettoyez l'huile éventuellement répandue, refermez le bouchon d'huile et rabattez la languette de l'écrou à oreilles.
- Vérifiez que l'huile arrive jusqu'à la chaîne; voir [Contrôle du débit d'huile pour guide et chaîne \(page 23\)](#).

Contrôle du frein de chaîne

Périodicité des entretiens: À chaque utilisation ou une fois par jour

Après chaque cycle de décharge de la batterie

- Engagez le frein de chaîne en l'actionnant vers avant, à la position d'ARRÊT ([Figure 28](#)).

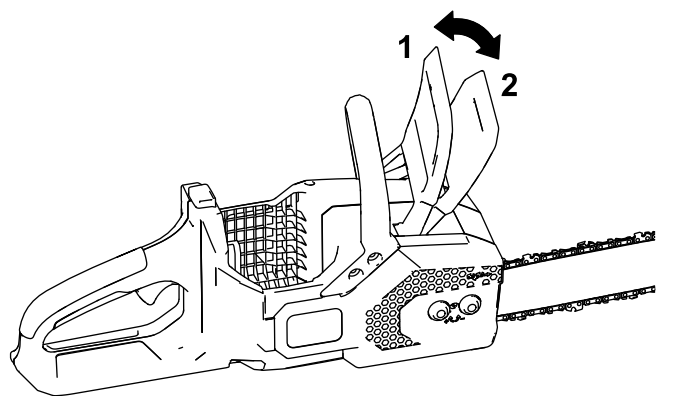


Figure 28

g315840

- | | |
|---|---------------------------------------|
| 1. Frein de chaîne (position de MARCHÉ) | 2. Frein de chaîne (position d'ARRÊT) |
|---|---------------------------------------|

- Préparez-vous à tester le fonctionnement de la tronçonneuse; voir [Avant d'utiliser la tronçonneuse \(page 13\)](#).
- Essayez de démarrer la tronçonneuse. Si elle démarre, portez-la chez un dépositaire-réparateur agréé pour la faire réparer.
- Désengagez le frein de chaîne en l'actionnant vers l'arrière à la position MARCHÉ ([Figure 28](#)).

Contrôle du débit d'huile pour guide et chaîne

Périodicité des entretiens: À chaque utilisation ou une fois par jour

- Préparez-vous à utiliser la tronçonneuse; voir [Avant d'utiliser la tronçonneuse \(page 13\)](#).
- Pour vérifier que l'huile arrive jusqu'à la chaîne, pointez le nez de la tronçonneuse à quelques centimètre/pouces au-dessus d'une surface (papier, carton, souche, etc.) et démarrez la tronçonneuse; un peu d'huile devrait être pulvérisé sur surface ([Figure 29](#)).

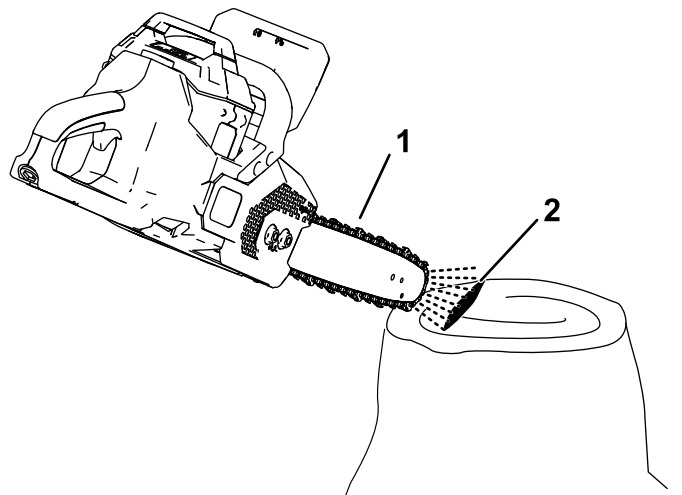


Figure 29

g317663

- | | |
|--|---|
| 1. Faire fonctionner la tronçonneuse à quelques centimètres/pouces d'une surface | 2. Si l'huile circule, elle va être pulvérisée sur la surface |
|--|---|

- Si l'huile ne circule pas, vérifiez que le réservoir n'est pas vide et que la zone sous le couvercle latéral est propre; voir [Contrôle du niveau d'huile et appoint d'huile pour guide-chaîne et chaîne \(page 22\)](#) et [Entretien du guide, de la chaîne et du pignon d'entraînement \(page 24\)](#).

Réglage de la tension de la chaîne

Périodicité des entretiens: À chaque utilisation ou une fois par jour

Après chaque cycle de décharge de la batterie

Vérifiez que la chaîne est correctement tendue.

Une chaîne détendue réduit la vie utile du pignon d'entraînement et du guide-chaîne, et risque de se rompre.

Une chaîne trop tendue surchauffe et fait surchauffer le guide, ce qui cause une usure rapide et peut faire griller le moteur ou casser la chaîne.

La chaîne est correctement tendue quand vous pouvez la faire tourner librement autour du guide en la tirant de votre main gantée. La chaîne doit rester en contact avec le bord inférieur du guide.

Vérifiez aussi la tension d'une chaîne neuve après les premières coupes; une chaîne neuve a tendance à s'étirer et doit donc être ajustée après quelques coupes.

⚠ DANGER

Tout contact avec les dents de la chaîne de la tronçonneuse peut causer de graves blessures.

- Retirez la batterie avant tout réglage ou entretien de la tronçonneuse.
- Portez toujours des gants pour régler ou faire l'entretien de la tronçonneuse.

1. Placez la tronçonneuse sur une surface plane et horizontale, et retirez la batterie; voir [Retrait de la batterie \(page 20\)](#).

2. Laissez refroidir la chaîne de la tronçonneuse.

Important: Ne tendez pas la chaîne quand elle est chaude; elle peut se contracter en refroidissant et deviendra alors trop tendue.

3. Vérifiez si le guide-chaîne est faussé ou endommagé, et remplacez-le si nécessaire.
4. Vérifiez que le frein de chaîne est en position de MARCHE ([Figure 28](#)).
5. À l'aide de l'outil multifonction, desserrez les écrous captifs du couvercle latéral, mais laissez-le en place ([Figure 31](#)).

6. Tenez le guide-chaîne par son extrémité ([Figure 30](#)).

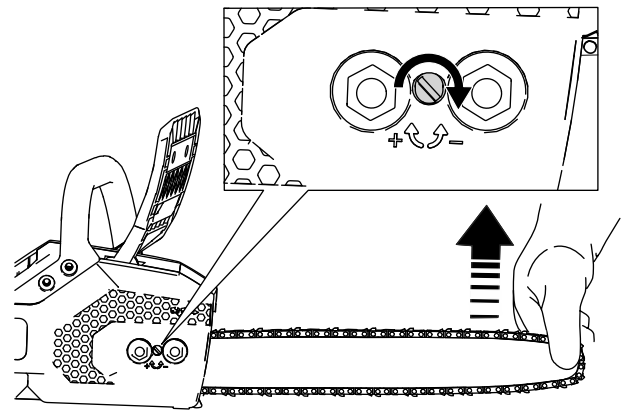


Figure 30

g315842

7. À l'aide de l'outil multifonction, ajustez la tension de la chaîne, puis fixez le couvercle latéral sur la tronçonneuse en serrant les écrous captifs ([Figure 31](#)).

- **Pour tendre la chaîne**, tournez la vis de réglage de la tension dans le sens horaire ([Figure 30](#)).
- **Pour détendre la chaîne**, tournez la vis de réglage de la tension dans le sens antihoraire.

Réglez la tension jusqu'à ce que la chaîne touche le bord inférieur du guide, puis écartez la chaîne du bord inférieur du guide; si la chaîne est correctement réglée, vous ne pourrez l'écarter du guide que de 3,2 à 6,4 mm ($\frac{1}{8}$ à $\frac{1}{4}$ po), et elle reviendra en place quand vous la relâcherez.

Si la tension de la chaîne n'est pas correcte, desserrez le couvercle latéral et répétez les opérations 5 à 7.

8. Enfilez un gant pour tirer la chaîne autour du guide. Une chaîne correctement tendue doit tourner facilement et rester en contact avec le bord inférieur du guide.
9. Contrôlez de nouveau la tension de la chaîne et répétez cette procédure au besoin.

Entretien du guide, de la chaîne et du pignon d'entraînement

Une fois par an ou avant le remisage

⚠ DANGER

Tout contact avec les dents de la chaîne de la tronçonneuse peut causer de graves blessures.

- Retirez la batterie avant tout réglage ou entretien de la tronçonneuse.
- Portez toujours des gants pour régler ou faire l'entretien de la tronçonneuse.

1. Placez la tronçonneuse sur une surface plane et horizontale, et retirez la batterie; voir [Retrait de la batterie \(page 20\)](#).
2. Déposez le couvercle latéral en desserrant les 2 écrous captifs de fixation ([Figure 31](#)).

Remarque: Les écrous captifs ne peuvent pas être séparés du couvercle latéral; desserrez-les jusqu'à ce qu'il soit possible de déposer le couvercle.

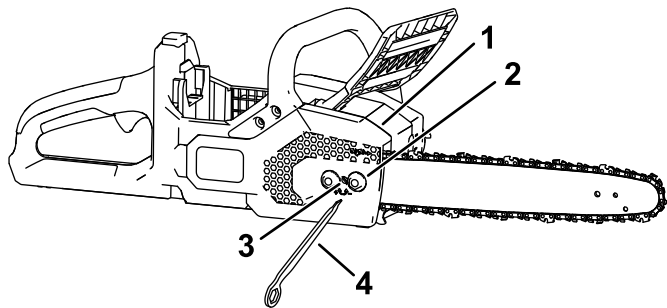


Figure 31

g315844

1. Couvercle
2. Écrou captif
3. Vis de réglage de tension de la chaîne
4. Outil multifonction

3. Détendez la chaîne en tournant la vis de tension dans le sens antihoraire ([Figure 31](#)).
4. Enlevez la chaîne du guide et mettez-les de côté.
5. Déposez le clip et le pignon d'entraînement de la tronçonneuse ([Figure 32](#)).
6. Enlevez les débris sous le couvercle latéral.
7. Examinez le pignon d'entraînement et remplacez-le s'il est excessivement usé ou endommagé.
8. Reposez le pignon d'entraînement et le clip.
9. Contrôlez la sortie d'huile ([Figure 32](#)) et enlevez les débris éventuellement présents.

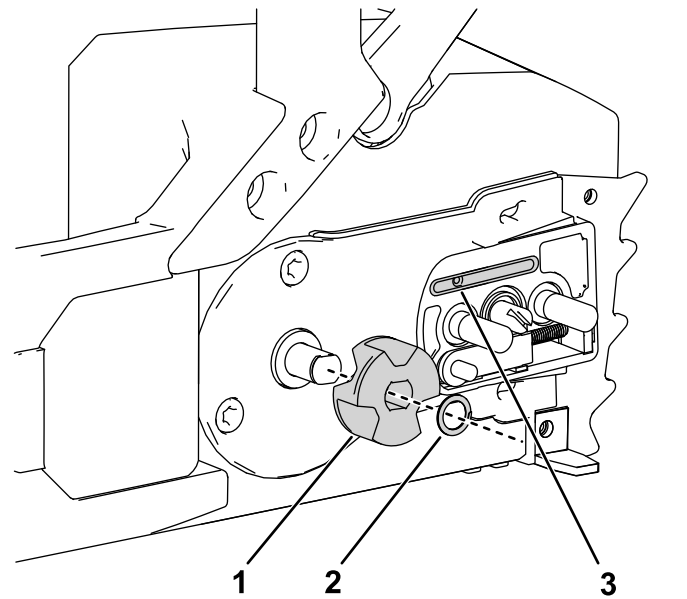


Figure 32

g315855

1. Pignon d'entraînement
2. Clip
3. Sortie d'huile

10. Nettoyez le guide-chaîne et la chaîne; utilisez du fil de fer ou un petit tournevis à lame plate pour enlever la saleté et les débris accumulés dans la gorge, le long du bord du guide, en commençant par le pignon avant et en continuant vers l'arrière.

Vérifiez que le passage d'huile du guide, qui est dans l'alignement de la sortie d'huile, est propre afin que l'huile puisse s'écouler librement vers la chaîne ([Figure 33](#)).

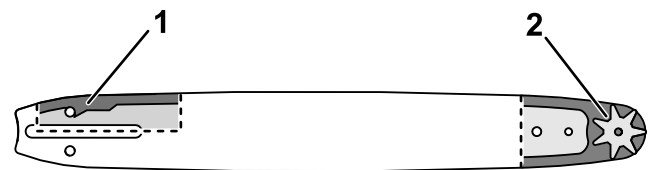


Figure 33

g315856

Sections internes du guide-chaîne montrées

1. Vérifiez la propreté de ce passage relié à la sortie d'huile.
 2. Vérifiez que le pignon du guide est propre et tourne librement.
11. Examinez le guide et la chaîne; si le guide est faussé, les gorges sont endommagées, ou le pignon avant ne tourne pas librement, remplacez le guide; remplacez la chaîne si elle est excessivement usée ou endommagée.
 12. Installez le guide et la chaîne; voir [Installation du guide et de la chaîne \(page 26\)](#).
 13. Vérifiez que l'huile arrive jusqu'à la chaîne; voir [Contrôle du débit d'huile pour guide et chaîne \(page 23\)](#).

Installation du guide et de la chaîne

⚠ DANGER

Tout contact avec les dents de la chaîne de la tronçonneuse peut causer de graves blessures.

- Retirez la batterie avant tout réglage ou entretien de la tronçonneuse.
 - Portez toujours des gants pour régler ou faire l'entretien de la tronçonneuse.
1. Si le couvercle latéral est monté sur la machine, desserrez les écrous captifs qui le fixe sur la machine et déposez-le (Figure 34A et Figure 34B).
 2. Placez la chaîne autour du pignon d'entraînement à l'extrémité avant du guide, en dirigeant vers l'avant le bord coupant des dents au sommet du guide, comme montré sur le schéma figurant sur le côté de la tronçonneuse (Figure 34C).

3. Continuez d'engager la chaîne autour du guide en alignant les dents dans la gorge du guide.
- Remarque:** Si vous installez une chaîne neuve, retournez le guide pour éviter une usure irrégulière.
4. Placez la boucle ouverte de la chaîne (qui n'est pas sur le guide) autour du pignon d'entraînement de la tronçonneuse, puis montez le guide et la chaîne fixée en place comme montré à la Figure 34C.

Important: Vérifiez que le goujon de réglage de la chaîne est inséré dans le trou indiqué par la flèche à la Figure 34C. Vous devez peut-être tourner le bouton de réglage de tension de la chaîne pour insérer le goujon dans le trou du guide.

5. Posez le couvercle latéral, mais ne serrez pas complètement les écrous captifs (Figure 34D).
6. Réglez la tension de la chaîne; voir [Réglage de la tension de la chaîne](#) (page 24).

Affûtage de la chaîne

Une fois par an ou avant le remisage

Une chaîne bien affûtée produit une coupe de meilleure qualité et prolonge la vie de la batterie.

La chaîne doit être affûtée ou remplacée si vous êtes obligé(e) de forcer pour qu'elle rentre dans le bois ou si elle produit de la sciure plutôt que des copeaux.

Adressez-vous à un depositaire-réparateur agréé pour faire affûter ou remplacer la chaîne.

Entretien

Si la tronçonneuse nécessite un entretien, confiez-la à un depositaire-réparateur agréé.

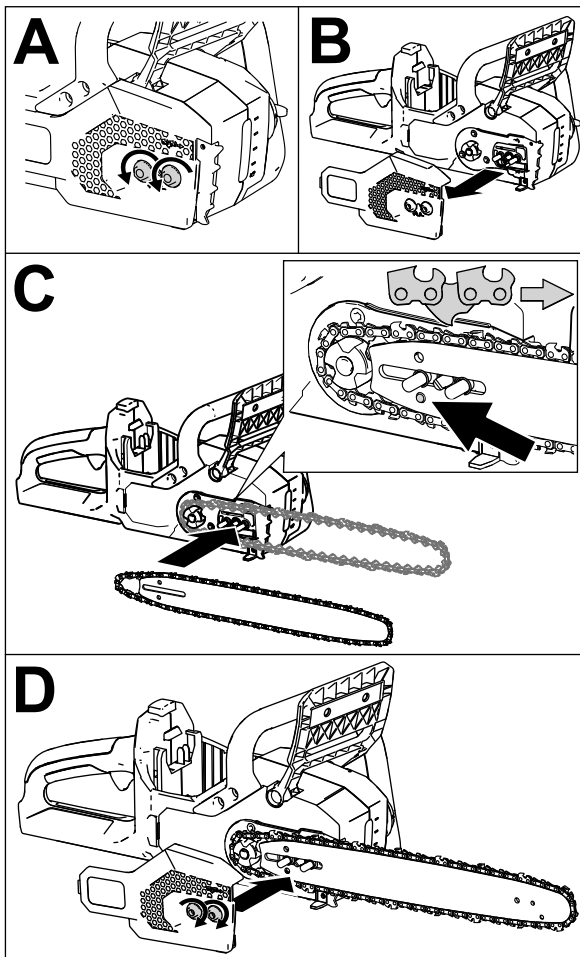


Figure 34

g315857

Remisage

Important: Remisez la machine, la batterie et le chargeur uniquement à des températures comprises dans la plage adéquate; voir [Caractéristiques techniques \(page 12\)](#).

Important: Si vous remisez la batterie à la fin de la saison, chargez-la jusqu'à ce que 2 ou 3 de ses diodes soient vertes. Ne remisez pas une batterie complètement chargée ou complètement déchargée. Avant de remettre la machine en service, chargez la batterie jusqu'à ce que le voyant gauche du chargeur devienne vert, ou que les 4 diodes de la batterie deviennent vertes.

- Débranchez la machine de l'alimentation (autrement dit, retirez la batterie) et recherchez tout dommage éventuel après utilisation.
- Débarrassez la machine de tout corps étranger.
- Ne remisez pas la machine en laissant la batterie en place.
- Rangez la machine, la batterie et le chargeur dans un endroit bien aéré, hors de la portée des enfants.
- Gardez la machine, la batterie et le chargeur à l'écart des agents corrosifs, tels les produits chimiques de jardinage et les sels de dégivrage.
- Pour réduire les risques de blessures graves, ne rangez pas la batterie à l'extérieur ou dans un véhicule.
- Rangez la machine, la batterie et le chargeur de batterie dans un local fermé, propre et sec.

Préparation de la batterie pour le recyclage

Important: Après avoir retiré la batterie, recouvrez les bornes de ruban adhésif épais. N'essayez pas de détruire ou de démonter la batterie ni de déposer aucun de ses composants.



Les batteries ion-lithium avec le label Call2Recycle peuvent être recyclées dans n'importe quel centre de recyclage participant au programme Call2Recycle (États-Unis et Canada seulement). Pour trouver le revendeur ou le centre participant le plus proche, téléphonez au 1-800-822-8837 ou rendez-vous sur www.call2recycle.org. Si vous ne trouvez pas de revendeur ou de centre à proximité, ou si votre batterie rechargeable ne porte pas le label Call2Recycle, contactez votre municipalité pour vous renseigner sur le recyclage responsable de la batterie. Hors des États-Unis et du Canada, veuillez contacter votre dépositaire Toro agréé.

Dépistage des défauts

Effectuez uniquement les opérations décrites dans cette notice. Tout autre contrôle, entretien ou réparation doit être réalisé par un centre d'entretien agréé ou un spécialiste qualifié si vous n'arrivez pas à résoudre le problème vous-même.

Retirez toujours la batterie avant de dépanner, de contrôler, de nettoyer ou de faire l'entretien de l'outil.

Problème	Cause possible	Mesure corrective
La tronçonneuse ne fonctionne pas ou pas de manière continue.	<ol style="list-style-type: none">1. La charge de la batterie est faible.2. La batterie n'est pas bien enclenchée.3. La température de la batterie est supérieure ou inférieure à la plage de température appropriée.4. La batterie a dépassé les limites supérieures d'intensité.5. Il y a de l'humidité sur les fils de la batterie.6. Le frein de chaîne est serré.7. Des débris sont agglomérés sous le couvercle.	<ol style="list-style-type: none">1. Rechargez la batterie.2. Insérez la batterie tout au fond de son logement.3. Placez la batterie dans un endroit sec, où la température est comprise entre 5 °C (41 °F) et 40 °C (104 °F).4. Relâchez la gâchette puis actionnez-la de nouveau.5. Laissez sécher ou essuyez la batterie.6. Désengagez le frein de chaîne en l'actionnant vers l'arrière.7. Déposez et nettoyez le couvercle.
La tronçonneuse fonctionne, mais la chaîne ne tourne pas.	<ol style="list-style-type: none">1. La chaîne n'est pas engagée correctement sur le pignon d'entraînement.2. Des débris sont agglomérés sous le couvercle.	<ol style="list-style-type: none">1. Réinstallez la chaîne en prenant soin de bien engager les maillons sur le pignon d'entraînement.2. Déposez et nettoyez le couvercle.
Le frein de chaîne ne s'engage pas.	<ol style="list-style-type: none">1. Le frein de chaîne est endommagé.	<ol style="list-style-type: none">1. Portez immédiatement la tronçonneuse chez un dépositaire-réparateur agréé.
La tronçonneuse ne coupe pas correctement.	<ol style="list-style-type: none">1. La chaîne n'est pas tendue correctement.2. La chaîne est émoussée ou endommagée.3. Le guide est faussé ou les gorges sont endommagées.4. La chaîne est montée à l'envers.5. La chaîne n'est pas lubrifiée correctement.	<ol style="list-style-type: none">1. Corrigez la tension de la chaîne.2. Remplacez la chaîne.3. Remplacez le guide4. Remontez la chaîne dans le bon sens.5. Contrôlez le niveau d'huile et vérifiez que l'huile arrive jusqu'à la chaîne.
L'huile de la chaîne produit pas un graissage correct.	<ol style="list-style-type: none">1. Le niveau d'huile est trop bas.2. La sortie d'huile est bouchée.3. Des débris sont agglomérés sous le couvercle.4. Le passage d'huile ou la gorge du guide-chaîne est bouché(e).	<ol style="list-style-type: none">1. Contrôlez le niveau d'huile.2. Débouchez la sortie d'huile.3. Déposez et nettoyez le couvercle.4. Nettoyez le guide-chaîne.
La batterie se décharge rapidement.	<ol style="list-style-type: none">1. La température de la batterie est supérieure ou inférieure à la plage de température appropriée.2. La chaîne est émoussée ou endommagée.3. Le guide est faussé ou les gorges sont endommagées.4. La machine est surchargée.5. La chaîne n'est pas lubrifiée correctement.	<ol style="list-style-type: none">1. Placez la batterie dans un endroit sec, où la température est comprise entre 5 °C (41 °F) et 40 °C (104 °F).2. Remplacez la chaîne.3. Remplacez le guide4. Appuyez plus légèrement quand vous coupez.5. Contrôlez le niveau d'huile et vérifiez que l'huile arrive jusqu'à la chaîne.

Problème	Cause possible	Mesure corrective
Le chargeur de batterie est défectueux.	<ol style="list-style-type: none"> 1. La température du chargeur de batterie est supérieure ou inférieure à la plage de température adéquate. 2. La prise utilisée pour brancher le chargeur n'est pas sous tension. 	<ol style="list-style-type: none"> 1. Débranchez le chargeur de batterie et placez-le dans un endroit sec où la température est comprise entre 5 et 40 °C (41 et 104 °F). 2. Demandez à un électricien qualifié de réparer la prise.
La diode du chargeur de batterie est rouge.	<ol style="list-style-type: none"> 1. La température du chargeur de batterie et/ou de la batterie est supérieure ou inférieure à la plage de température adéquate. 	<ol style="list-style-type: none"> 1. Débranchez le chargeur de batterie et placez-le, ainsi que la batterie, dans un endroit sec où la température est comprise entre 5 et 40 °C (41 et 104 °F).
La diode du chargeur de batterie clignote en rouge.	<ol style="list-style-type: none"> 1. Une erreur de communication s'est produite entre la batterie et le chargeur. 2. La batterie est faible. 	<ol style="list-style-type: none"> 1. Retirez la batterie du chargeur, débranchez le chargeur de la prise secteur et patientez 10 secondes. Rebranchez le chargeur sur la prise secteur et insérez la batterie dans le chargeur. Si la diode du chargeur clignote encore en rouge, répétez cette procédure. Si la diode du chargeur de batterie clignote encore en rouge après 2 tentatives, mettez la batterie au rebut correctement dans un centre de recyclage de batteries. 2. Contactez votre dépositaire-réparateur agréé si la batterie est sous garantie, ou mettez la batterie au rebut correctement dans un centre de recyclage de batteries.

Proposition 65 de Californie – Information concernant cet avertissement

En quoi consiste cet avertissement?

Certains produits commercialisés présentent une étiquette d'avertissement semblable à ce qui suit :



AVERTISSEMENT : Cancer et troubles de la reproduction –
www.p65Warnings.ca.gov.

Qu'est-ce que la Proposition 65?

La Proposition 65 s'applique à toute société exerçant son activité en Californie, qui vend des produits en Californie ou qui fabrique des produits susceptibles d'être vendus ou importés en Californie. Elle stipule que le Gouverneur de Californie doit tenir et publier une liste des substances chimiques connues comme causant des cancers, malformations congénitales et/ou autres troubles de la reproduction. Cette liste, qui est mise à jour chaque année, comprend des centaines de substances chimiques présentes dans de nombreux objets du quotidien. La Proposition 65 a pour objet d'informer le public quant à l'exposition à ces substances chimiques.

La Proposition 65 n'interdit pas la vente de produits contenant ces substances chimiques, mais impose la présence d'avertissements sur tout produit concerné, sur son emballage ou sur la documentation fournie avec le produit. D'autre part, un avertissement de la Proposition 65 ne signifie pas qu'un produit est en infraction avec les normes ou exigences de sécurité du produit. D'ailleurs, le gouvernement californien a clairement indiqué qu'un avertissement de la Proposition 65 « n'est pas une décision réglementaire quant au caractère « sûr » ou « dangereux » d'un produit ». Bon nombre de ces substances chimiques sont utilisées dans des produits du quotidien depuis des années, sans aucun effet nocif documenté. Pour plus de renseignements, rendez-vous sur <https://oag.ca.gov/prop65/faqs-view-all>.

Un avertissement de la Proposition 65 signifie qu'une société a soit (1) évalué l'exposition et conclu qu'elle dépassait le « niveau ne posant aucun risque significatif »; soit (2) choisi d'émettre un avertissement simplement sur la base de sa compréhension quant à la présence d'une substance chimique de la liste, sans tenter d'en évaluer l'exposition.

Cette loi s'applique-t-elle partout?

Les avertissements de la Proposition 65 sont exigés uniquement en vertu de la loi californienne. Ces avertissements sont présents dans tout l'état de Californie, dans des environnements très variés, notamment mais pas uniquement les restaurants, magasins d'alimentation, hôtels, écoles et hôpitaux, et sur un vaste éventail de produits. En outre, certains détaillants en ligne et par correspondance fournissent des avertissements de la Proposition 65 sur leurs sites internet ou dans leurs catalogues.

Quelles différences entre les avertissements de Californie et les limites fédérales?

Les normes de la Proposition 65 sont souvent plus strictes que les normes fédérales et internationales. Diverses substances exigent un avertissement de la Proposition 65 à des niveaux bien inférieurs aux limites d'intervention fédérales. Par exemple, la norme de la Proposition 65 en matière d'avertissements pour le plomb se situe à 0,5 µg/jour, soit bien moins que les normes fédérales et internationales.

Pourquoi l'avertissement ne figure-t-il pas sur tous les produits semblables?

- Pour les produits commercialisés en Californie, l'étiquetage Proposition 65 est exigé, tandis qu'il ne l'est pas sur des produits similaires commercialisés ailleurs.
- Il se peut qu'une société impliquée dans un procès lié à la Proposition 65 et parvenant à un accord soit obligée d'utiliser les avertissements de la Proposition 65 pour ses produits, tandis que d'autres sociétés fabriquant des produits semblables peuvent ne pas être soumises à cette obligation.
- L'application de la Proposition 65 n'est pas uniforme.
- Certaines sociétés peuvent choisir de ne pas indiquer d'avertissements car elles considèrent qu'elles n'y sont pas obligées au titre de la Proposition 65; l'absence d'avertissements sur un produit ne signifie pas que le produit ne contient pas de substances de la liste à des niveaux semblables.

Pourquoi le fabricant inclut-il cet avertissement?

Le fabricant a choisi de fournir aux consommateurs le plus d'information possible afin qu'ils puissent prendre des décisions éclairées quant aux produits qu'ils achètent et utilisent. Le fabricant fournit des avertissements dans certains cas d'après ses connaissances quant à la présence de l'une ou plusieurs des substances chimiques de la liste, sans en évaluer le niveau d'exposition, car des exigences de limites ne sont pas fournies pour tous les produits chimiques de la liste. Bien que l'exposition associée aux produits du fabricant puisse être négligeable ou parfaitement dans les limites « sans aucun risque significatif », par mesure de précaution, le fabricant a décidé de fournir les avertissements de la Proposition 65. De plus, en l'absence de ces avertissements, le fabricant pourrait faire l'objet de poursuites par l'État de Californie ou par des particuliers cherchant à faire appliquer la Proposition 65, et donc être assujéti à d'importantes pénalités.