



Count on it.

Parts Catalog

TXL 2000

Tool Carrier

Model No. 22530—Serial No. 410150000 and Up



Ordering Replacement Parts

To order replacement parts, please supply the part number, the quantity, and the description of each part desired.

Understanding Reference Numbers

Each identified part in an illustration has a reference number. The reference number for a part also appears in the parts list, along with other information about the part.

This catalog uses two special reference number formats, one to indicate parts in a service assembly and another to indicate the quantity of a given part in an illustration.

Service Assembly Reference Numbers

Parts in service assemblies have reference numbers in the form a:b. The a represents the reference number of the entire service assembly and the b represents a sequential number unique to each part within the service assembly.

For example, a wheel assembly might be identified by reference number 6, the tire by 6:1, the valve by 6:2, and the wheel by 6:3. When you order the assembly identified by reference number 6, you receive all parts identified by reference numbers 6:1, 6:2, and 6:3. However, you may also order any part individually. Reference numbers of this type appear in illustration and in parts lists.

Reference Numbers Indicating Quantity

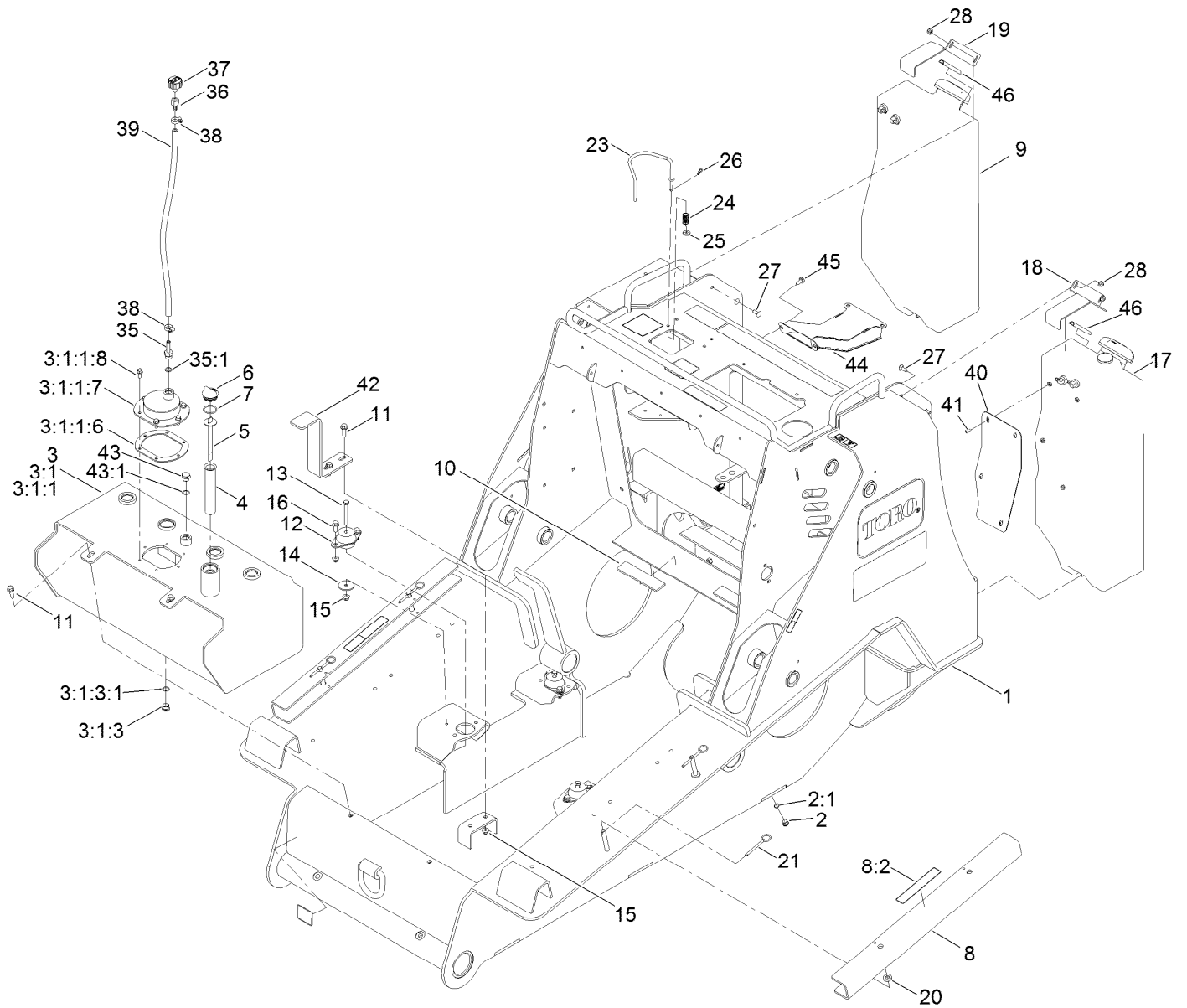
In an illustration, if a reference number indicates more than one part, the reference number has the form nX y. The n represents the quantity of the part, the X is the multiplication symbol, and the y represents the reference number.

For example, in an illustration, the reference number 2X 37 means that two of the parts identified by reference number 37 are indicated.

Contents

| | |
|---|----|
| Frame Assembly | 4 |
| Frame Assembly No. 138-4723 | 6 |
| RH Fuel Tank Assembly No. 133-6814 | 8 |
| LH Fuel Tank Assembly No. 133-6991 | 10 |
| Track Mount Assembly | 12 |
| LH Track Assembly | 14 |
| Track Drive Assembly No. 136-4751 | 16 |
| RH Track Assembly | 18 |
| Engine and Air Cleaner Assembly | 20 |
| Air Cleaner Assembly No. 99-5410 | 22 |
| Engine Mount and Air Intake Hose Assembly | 24 |
| Fuel Pump and Water Separator Assembly | 26 |
| Fuel Filter and Hose Assembly | 28 |
| Radiator and Fan Assembly | 30 |
| Radiator Hose Assembly | 32 |
| Lift Valve and Pump Assembly | 34 |
| Lift Valve Assembly No. 133-6911 | 36 |
| Gear Pump Assembly No. 133-0281 | 38 |
| Auxiliary Hydraulic Assembly | 40 |
| Auxiliary Manifold Assembly No. 136-4872 | 42 |
| Tandem Pump Assembly | 44 |
| Tandem Hydraulic Pump Assembly No. 132-8497 | 46 |
| Front Hydraulic Pump Assembly No. 139-4800 | 48 |
| Front Hydraulic Pump Assembly No. 139-4800 | 50 |
| Front Hydraulic Pump Assembly No. 139-4800 | 52 |
| Front Hydraulic Pump Assembly No. 139-4800 | 54 |
| Rear Hydraulic Pump Assembly No. 139-4801 | 56 |
| Rear Hydraulic Pump Assembly No. 139-4801 | 58 |
| Rear Hydraulic Pump Assembly No. 139-4801 | 60 |
| Rear Hydraulic Pump Assembly No. 139-4801 | 62 |
| Control Console Assembly | 64 |
| Loader Arm Assembly | 66 |
| Upper Loader Arm Assembly No. 138-4730 | 68 |
| Lower Loader Arm Assembly No. 138-4731 | 70 |
| Qtach Assembly No. 132-8468 | 72 |
| Platform Assembly | 74 |
| Hood and Access Panel Assembly | 76 |
| Electrical Assembly | 78 |
| Wire Harness Assembly No. 133-6871 | 80 |
| Attachments and Accessories | 82 |

Frame Assembly

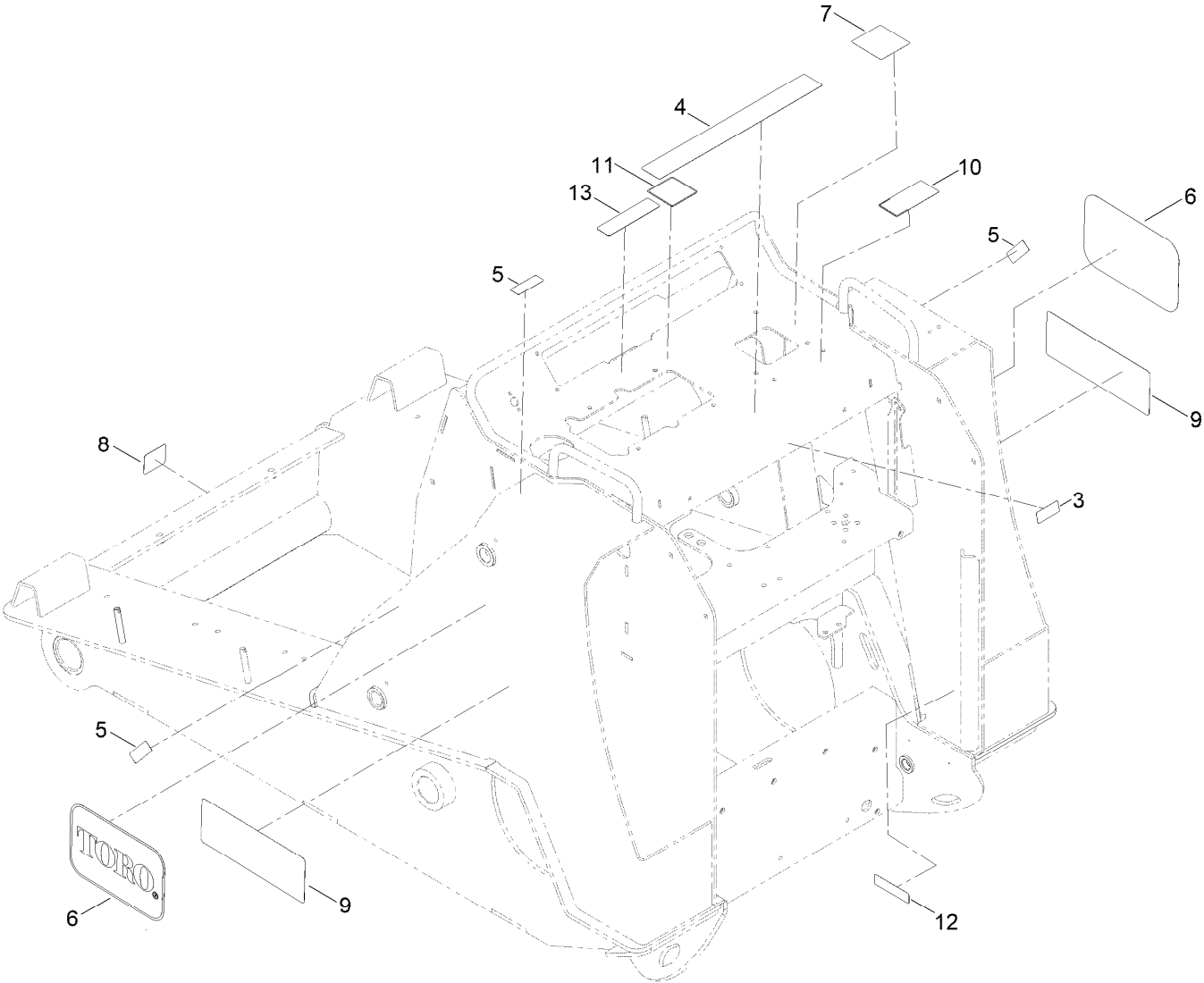


Frame Assembly (continued)

| <i>Ref.</i> | <i>Part Number</i> | <i>Qty.</i> | <i>Description</i> | <i>Ref.</i> | <i>Part Number</i> | <i>Qty.</i> | <i>Description</i> |
|-------------|--------------------|-------------|----------------------|-------------|--------------------|-------------|------------------------|
| 1 | 138-4723 | 1 | Frame ASM | 17 | 133-6991 | 1 | LH Fuel Tank ASM |
| 2 | 353-989 | 1 | Plug-Hex, Hollow | 18 | 137-0379-03 | 1 | Bracket-Tank LH |
| 2:1 | 237-42 | 1 | O-Ring | 19 | 137-0380-03 | 1 | Bracket-Tank RH |
| 3 | 131-9336-03 | 1 | HYD Tank ASM | 20 | 83-1470 | 4 | Washer-Neoprene |
| 3:1 | | 1 | Tank-HYD ● | 21 | 136-6125 | 4 | Pin-Ring |
| 3:1:1 | | 1 | Tank-HYD, Top ● | 23 | 138-2415 | 1 | Rod-Interlock |
| 3:1:1:6 | 107-3557 | 1 | Gasket-Cover, Access | 24 | 85-6750 | 1 | Spring-Control |
| 3:1:1:7 | 138-2342-03 | 1 | Cover-Access | 25 | 88-7200 | 1 | Washer-Flat |
| 3:1:1:8 | 98-9940 | 6 | Screw-HHF | 26 | 3290-307 | 1 | Pin-Cotter |
| 3:1:3 | 353-988 | 1 | Plug-Hex | 27 | 3230-16 | 4 | Screw-CARR |
| 3:1:3:1 | 237-79 | 1 | O-Ring | 28 | 104-8300 | 4 | Nut-HF, NI |
| 4 | 61-2790 | 1 | Filter-Screen | 35 | 115-2231 | 1 | Fitting-STR |
| 5 | 130-7686 | 1 | Dipstick | 35:1 | 237-79 | 1 | O-Ring |
| 6 | 93-7498 | 1 | Plug-Plastic | 36 | 354-94 | 1 | Fitting-Female, Barbed |
| 7 | 237-101 | 1 | O-Ring | 37 | 68-6150 | 1 | Breather |
| 8 | 138-4724 | 2 | Arm-Locking | 38 | 2412-36 | 2 | Clamp-Hose |
| 8:2 | 115-4858 | 2 | Decal-Danger | 39 | 114-0832 | 1 | Hose-Fuel |
| 9 | 133-6814 | 1 | RH Fuel Tank ASM | 40 | 138-4721-03 | 1 | Plate-Guard, Tank |
| 10 | 112-2401 | 2 | Pad-Rubber | 41 | 3274-31 | 4 | Screw-HSBH |
| 11 | 3234-24 | 4 | Screw-HHF | 42 | 138-2337-03 | 1 | Strap-Hold Down |
| 12 | 136-4885 | 4 | Mount-Engine | 43 | 353-550 | 1 | Plug-HYD, HH |
| 13 | 323-14 | 4 | Screw-HH | 43:1 | 237-79 | 1 | O-Ring |
| 14 | 63-7400 | 4 | Washer-Rebound | 44 | 138-2382-03 | 1 | Intake Chute ASM |
| 15 | 104-8301 | 14 | Nut-HF, NI | 45 | 32104-32 | 4 | Screw-HWH |
| 16 | 3234-11 | 8 | Screw-HHF | 46 | 138-2449 | 2 | Seal-Bulb |

● Not serviced separately

Frame Assembly No. 138-4723

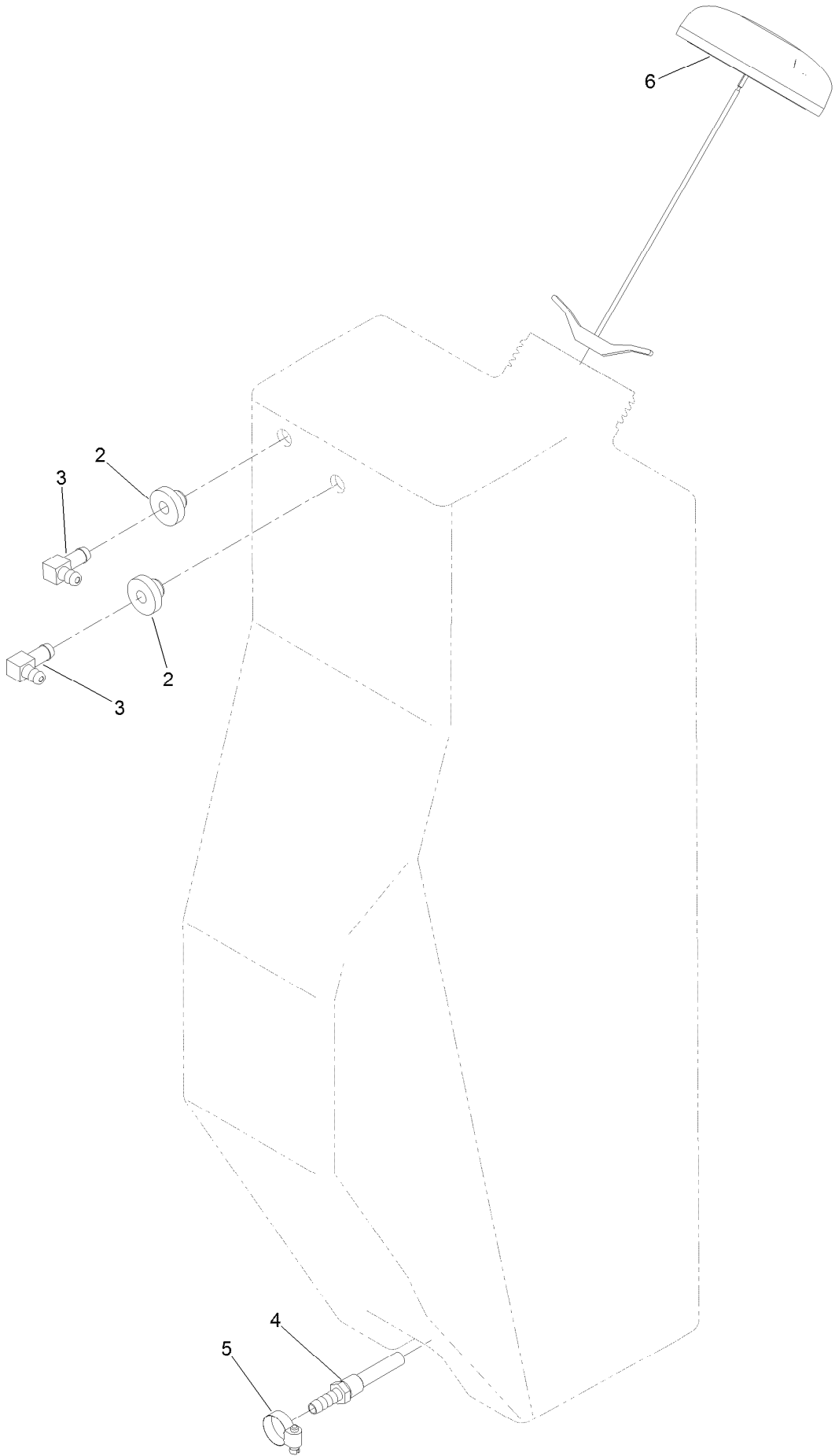


Frame Assembly No. 138-4723 (continued)

| <i>Ref.</i> | <i>Part Number</i> | <i>Qty.</i> | <i>Description</i> |
|-------------|--------------------|-------------|-----------------------|
| 3 | 115-2047 | 1 | Decal-Surface, Hot |
| 4 | 145-0637 | 1 | Decal-Safety |
| 5 | 120-0625 | 3 | Decal-Warning |
| 6 | 66-1210 | 2 | Decal |
| 7 | 115-4857 | 1 | Decal-Control, Loader |
| 8 | 125-6694 | 1 | Decal-Tie Down |

| <i>Ref.</i> | <i>Part Number</i> | <i>Qty.</i> | <i>Description</i> |
|-------------|--------------------|-------------|------------------------|
| 9 | 137-5418 | 2 | Decal |
| 10 | 139-1162 | 1 | Decal-Safety |
| 11 | 139-4729 | 1 | Decal-Controls, Loader |
| 12 | 133-8062 | 1 | Decal-Arrestor, Spark |
| 13 | 136-4863 | 1 | Decal-Arm,Raised |

RH Fuel Tank Assembly No. 133-6814

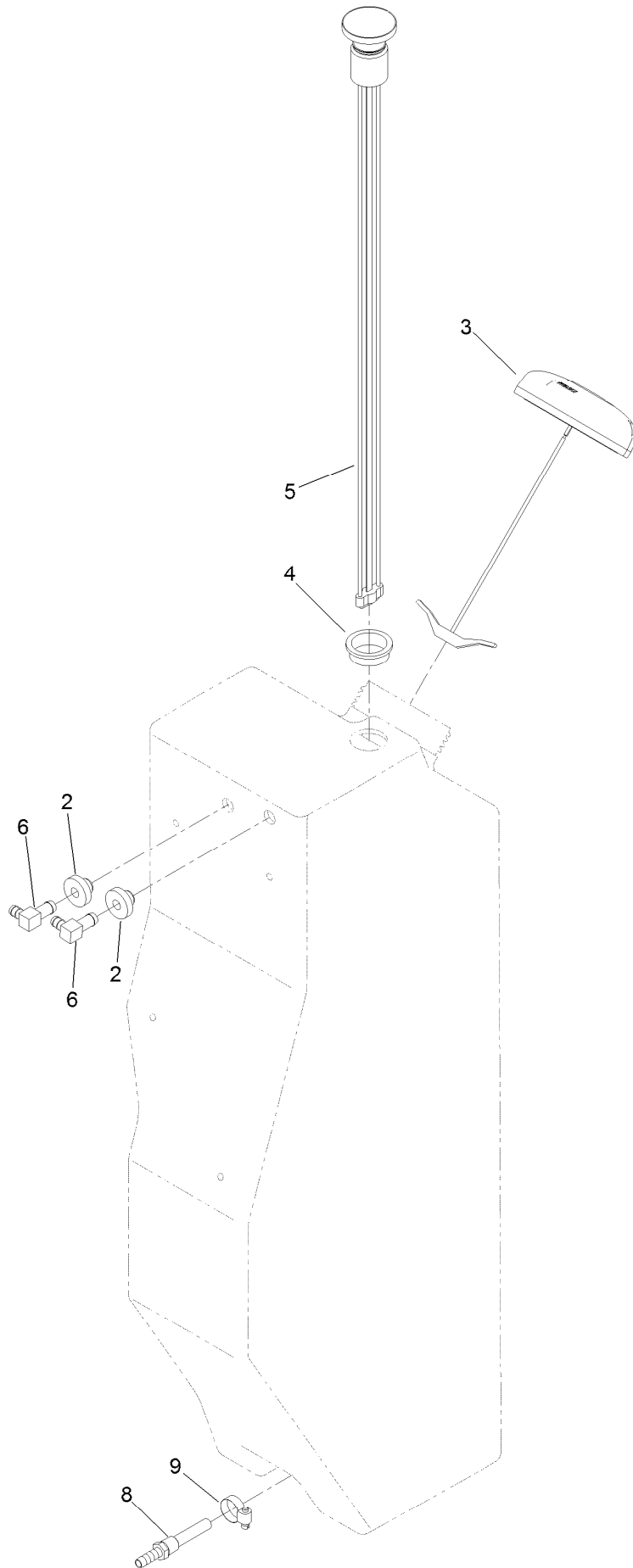


RH Fuel Tank Assembly No. 133-6814 (continued)

| <i>Ref.</i> | <i>Part Number</i> | <i>Qty.</i> | <i>Description</i> |
|-------------|--------------------|-------------|-----------------------|
| 2 | 46-6560 | 2 | Bushing |
| 3 | 46-6550 | 2 | Fitting-Elbow, 90 DEG |
| 4 | 112-6374 | 1 | Fitting-Strainer |

| <i>Ref.</i> | <i>Part Number</i> | <i>Qty.</i> | <i>Description</i> |
|-------------|--------------------|-------------|--------------------|
| 5 | 2412-36 | 1 | Clamp-Hose |
| 6 | 136-4865 | 1 | Cap-Fuel |

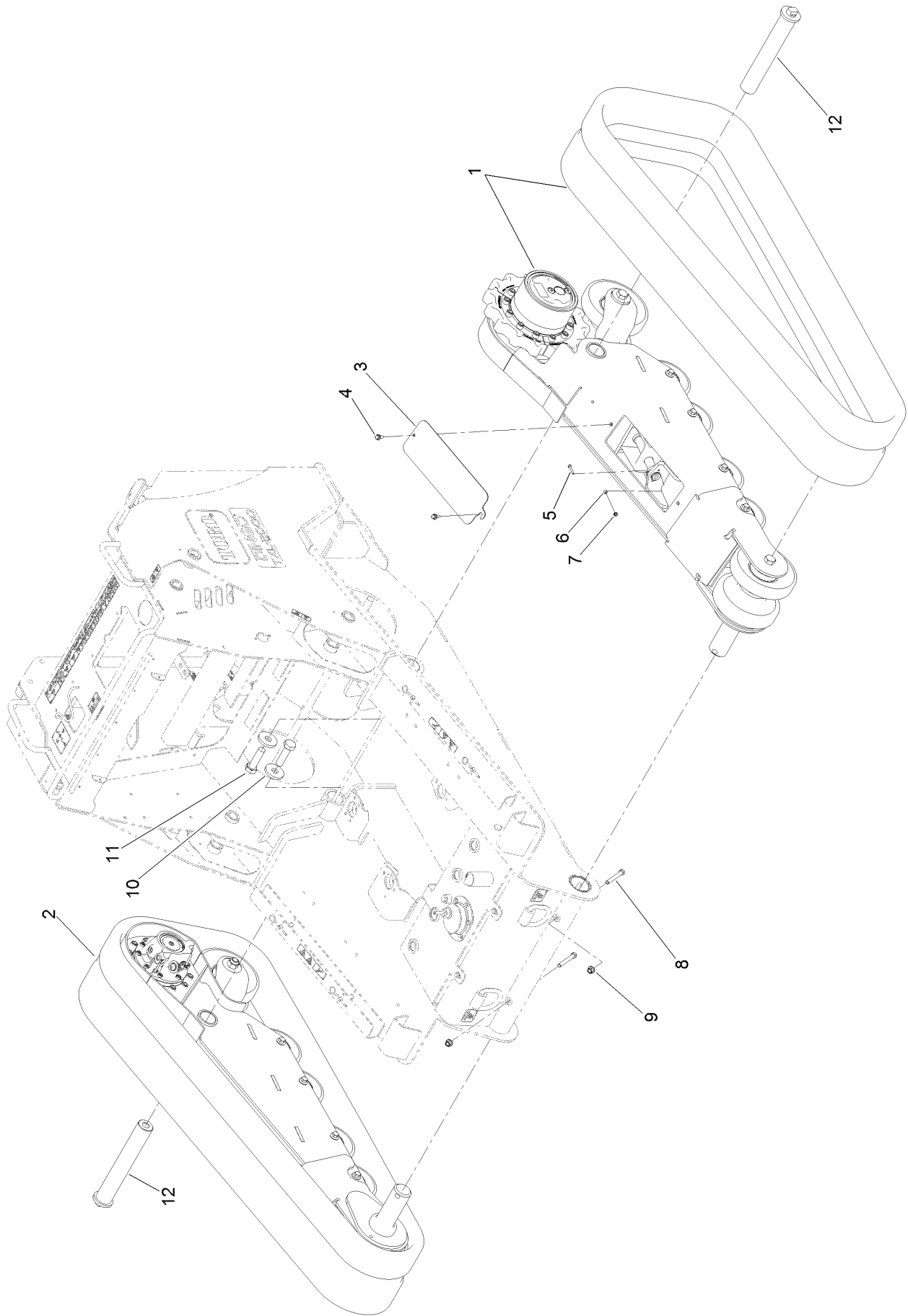
LH Fuel Tank Assembly No. 133-6991



LH Fuel Tank Assembly No. 133-6991 (continued)

| <i>Ref.</i> | <i>Part Number</i> | <i>Qty.</i> | <i>Description</i> | <i>Ref.</i> | <i>Part Number</i> | <i>Qty.</i> | <i>Description</i> |
|-------------|--------------------|-------------|--------------------|-------------|--------------------|-------------|-----------------------|
| 2 | 46-6560 | 2 | Bushing | 6 | 46-6550 | 2 | Fitting-Elbow, 90 DEG |
| 3 | 136-4865 | 1 | Cap-Fuel | 8 | 112-6374 | 1 | Fitting-Strainer |
| 4 | 95-8972 | 1 | Grommet | 9 | 2412-36 | 1 | Clamp-Hose |
| 5 | 133-6992 | 1 | Gauge-Level, Fuel | | | | |

Track Mount Assembly

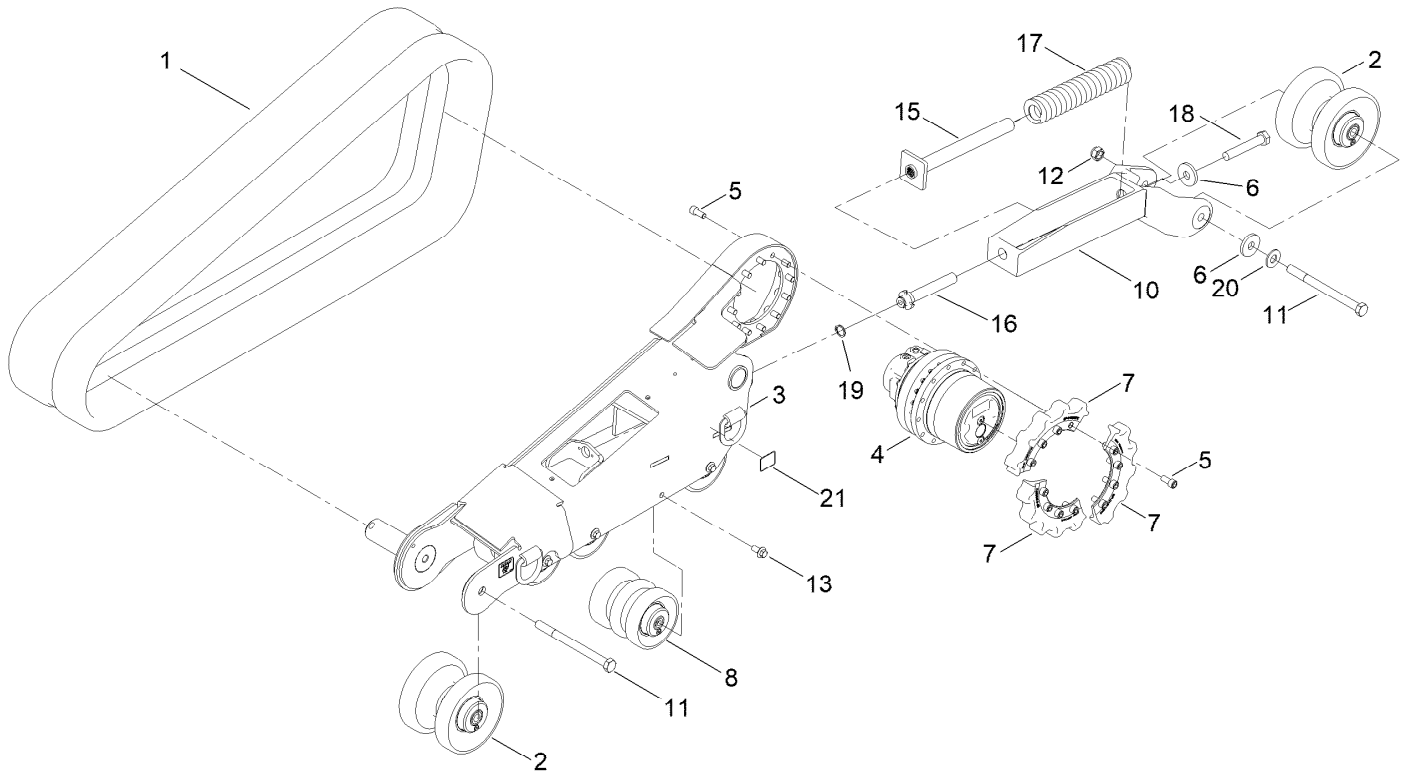


Track Mount Assembly (continued)

| <i>Ref.</i> | <i>Part Number</i> | <i>Qty.</i> | <i>Description</i> | <i>Ref.</i> | <i>Part Number</i> | <i>Qty.</i> | <i>Description</i> |
|-------------|--------------------|-------------|--------------------|-------------|--------------------|-------------|--------------------|
| 1 | | 1 | LH Track ASM ● | 7 | 32128-32 | 2 | Nut-HHF |
| 2 | | 1 | RH Track ASM ● | 8 | 116-3114 | 2 | Bolt-TAP |
| 3 | 137-0513-03 | 2 | Cover | 9 | 99-5107 | 2 | Nut-Lock |
| 4 | 3234-42 | 4 | Screw-HHF | 10 | 133-0287 | 2 | Washer-Wheel |
| 5 | 321-9 | 2 | Screw-HH | 11 | AU426-1656 | 2 | Screw-Cap, HH |
| 6 | 98-4799 | 2 | Spacer | 12 | 138-2308 | 2 | Shaft-Mount, Rear |

● Not serviced separately

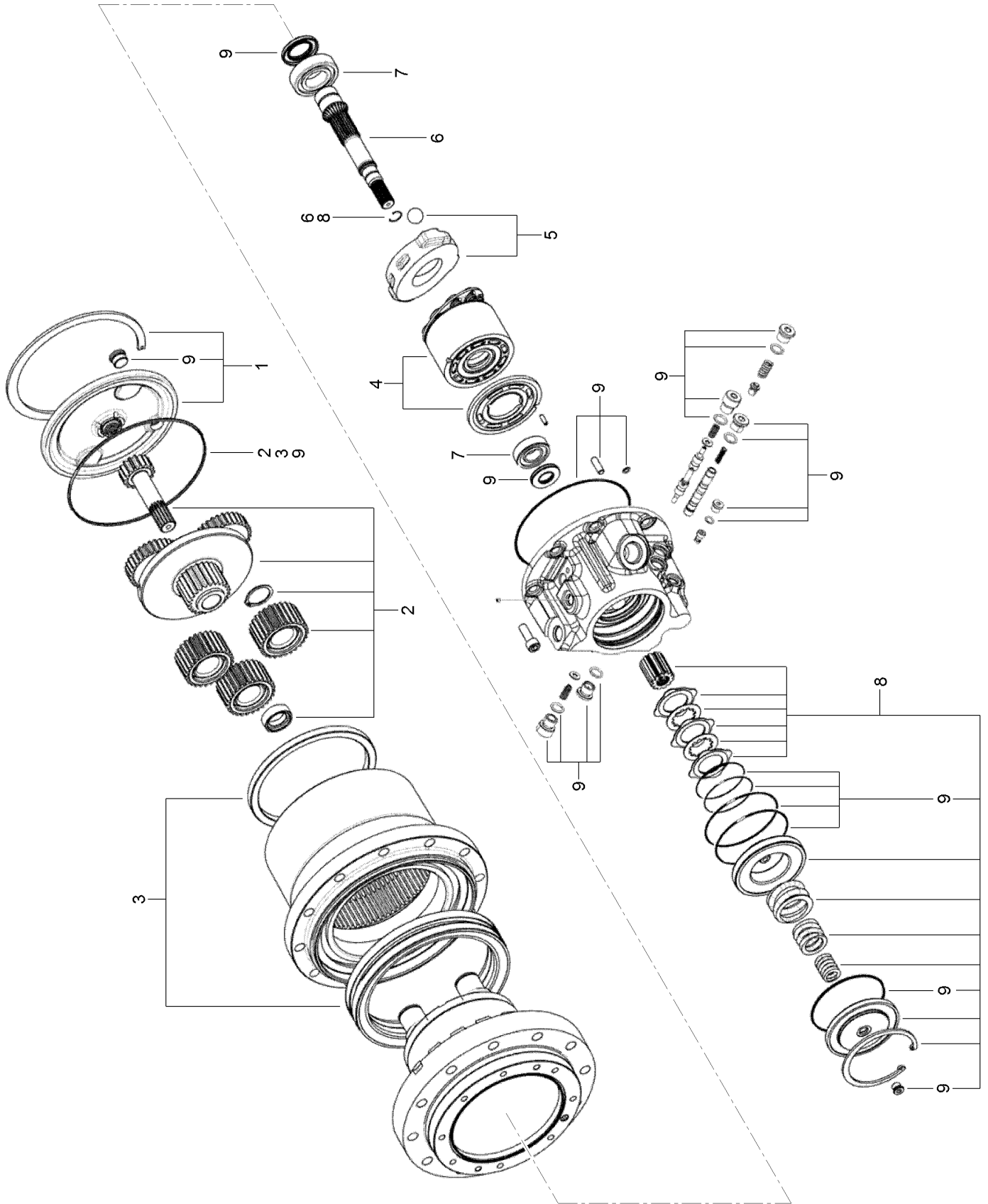
LH Track Assembly



LH Track Assembly (continued)

| <i>Ref.</i> | <i>Part Number</i> | <i>Qty.</i> | <i>Description</i> | <i>Ref.</i> | <i>Part Number</i> | <i>Qty.</i> | <i>Description</i> |
|-------------|--------------------|-------------|--------------------|-------------|--------------------|-------------|--------------------------|
| 1 | 137-0354 | 1 | Track | 12 | 136-4832 | 1 | Nut-Hex |
| 2 | 137-0505 | 2 | Front Wheel ASM | 13 | 138-4699 | 8 | Screw-HHF |
| 3 | 138-2350 | 1 | LH Track Mount ASM | 15 | 137-0543 | 1 | Spring Catch ASM |
| 4 | 136-4751 | 1 | Drive-Track | 16 | 138-4669 | 1 | Screw-Tensioner |
| 5 | 114-3041 | 24 | Screw-HSH | 17 | 136-4834 | 1 | Spring-Compression |
| 6 | 133-0287 | 2 | Washer-Wheel | 18 | 139-4839 | 1 | Bolt-TAP |
| 7 | 136-4833 | 3 | Sprocket-Drive | 19 | 32151-77 | 1 | Ring-Retaining, External |
| 8 | 137-0485 | 4 | Road Wheel ASM | 20 | 115-0722 | 1 | Washer-Plain |
| 10 | 138-2261 | 1 | Tensioner ASM | 21 | 125-6694 | 2 | Decal-Tie Down |
| 11 | 136-4831 | 2 | Bolt-HH | | | | |

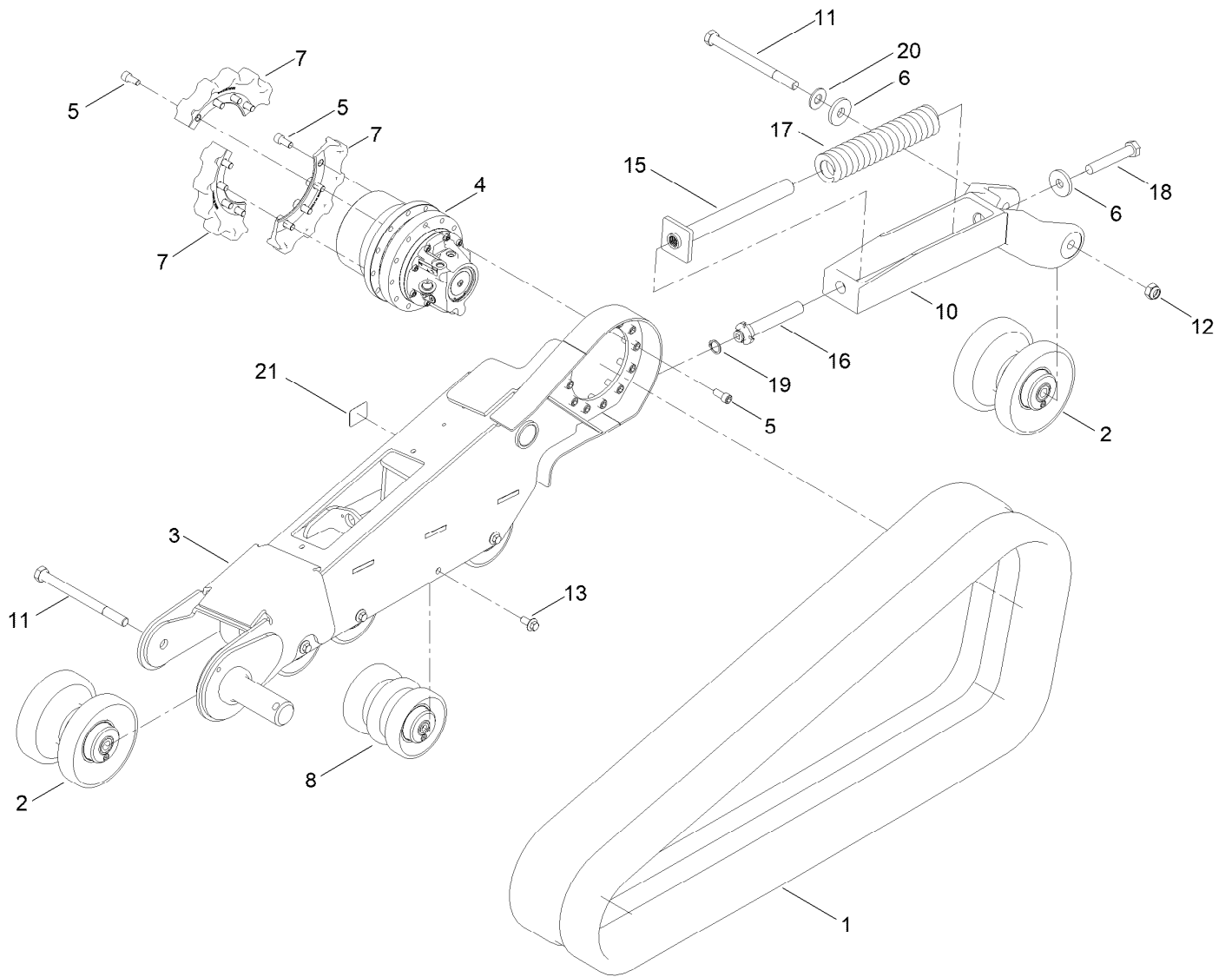
Track Drive Assembly No. 136-4751



Track Drive Assembly No. 136-4751 (continued)

| <i>Ref.</i> | <i>Part Number</i> | <i>Qty.</i> | <i>Description</i> | <i>Ref.</i> | <i>Part Number</i> | <i>Qty.</i> | <i>Description</i> |
|-------------|--------------------|-------------|--------------------|-------------|--------------------|-------------|--------------------|
| 1 | 139-4861 | 1 | Cover ASM | 6 | 139-4866 | 1 | Motor Shaft ASM |
| 2 | 139-4862 | 1 | Reduction ASM | 7 | 139-4867 | 1 | Bearings Kit |
| 3 | 139-4863 | 1 | Seal Kit | 8 | 139-4868 | 1 | Parking Brake Kit |
| 4 | 139-4864 | 1 | Cylinder Block ASM | 9 | 139-4869 | 1 | Seal Kit |
| 5 | 139-4865 | 1 | Swashplate Kit | | | | |

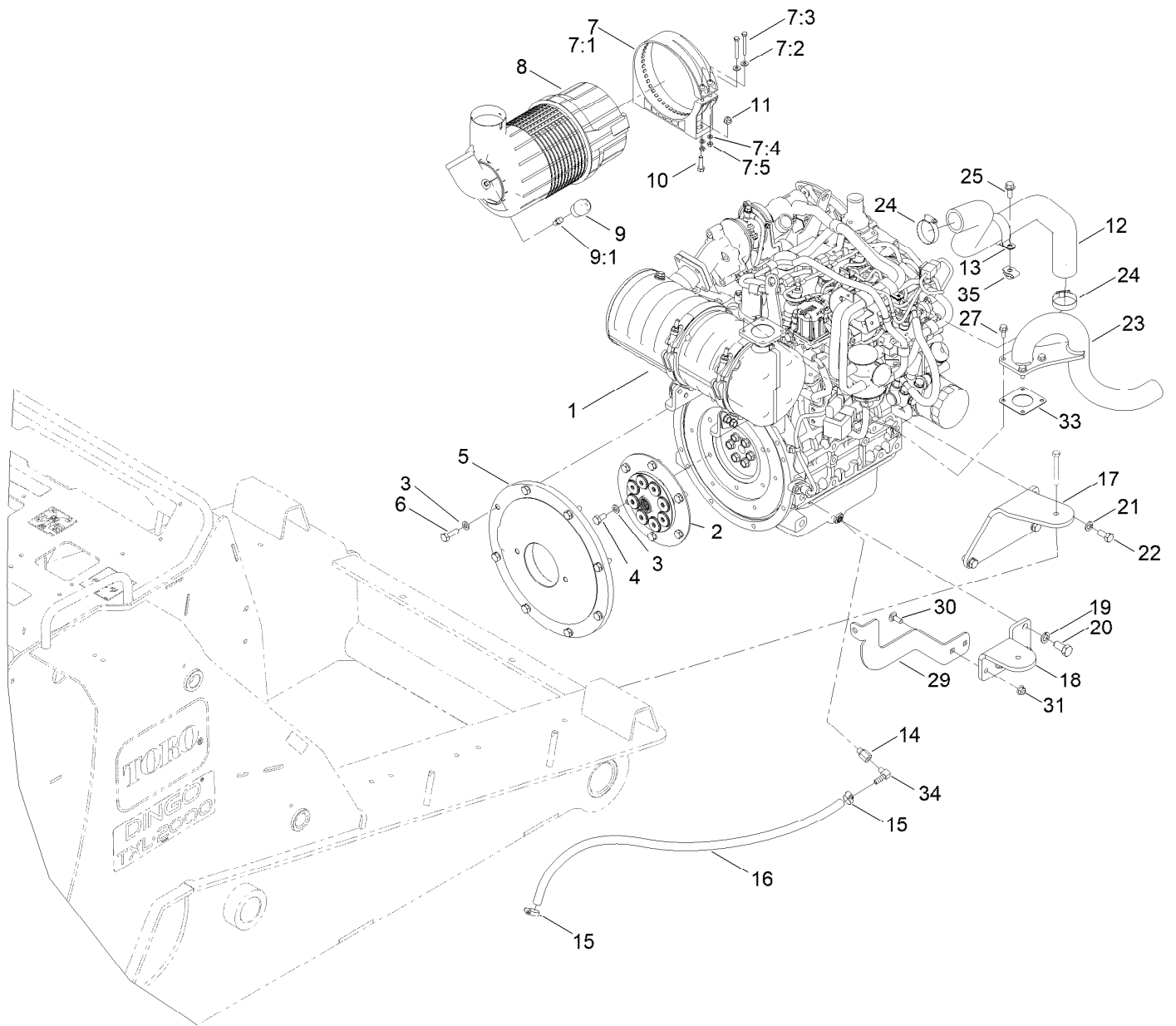
RH Track Assembly



RH Track Assembly (continued)

| <i>Ref.</i> | <i>Part Number</i> | <i>Qty.</i> | <i>Description</i> | <i>Ref.</i> | <i>Part Number</i> | <i>Qty.</i> | <i>Description</i> |
|-------------|--------------------|-------------|--------------------|-------------|--------------------|-------------|--------------------------|
| 1 | 137-0354 | 1 | Track | 12 | 136-4832 | 1 | Nut-Hex |
| 2 | 137-0505 | 2 | Front Wheel ASM | 13 | 138-4699 | 8 | Screw-HHF |
| 3 | 138-2390 | 1 | RH Track Frame ASM | 15 | 137-0543 | 1 | Spring Catch ASM |
| 4 | 136-4751 | 1 | Drive-Track | 16 | 138-4669 | 1 | Screw-Tensioner |
| 5 | 114-3041 | 24 | Screw-HSH | 17 | 136-4834 | 1 | Spring-Compression |
| 6 | 133-0287 | 2 | Washer-Wheel | 18 | 139-4839 | 1 | Bolt-TAP |
| 7 | 136-4833 | 3 | Sprocket-Drive | 19 | 32151-77 | 1 | Ring-Retaining, External |
| 8 | 137-0485 | 4 | Road Wheel ASM | 20 | 115-0722 | 1 | Washer-Plain |
| 10 | 138-2261 | 1 | Tensioner ASM | 21 | 125-6694 | 2 | Decal-Tie Down |
| 11 | 136-4831 | 2 | Bolt-HH | | | | |

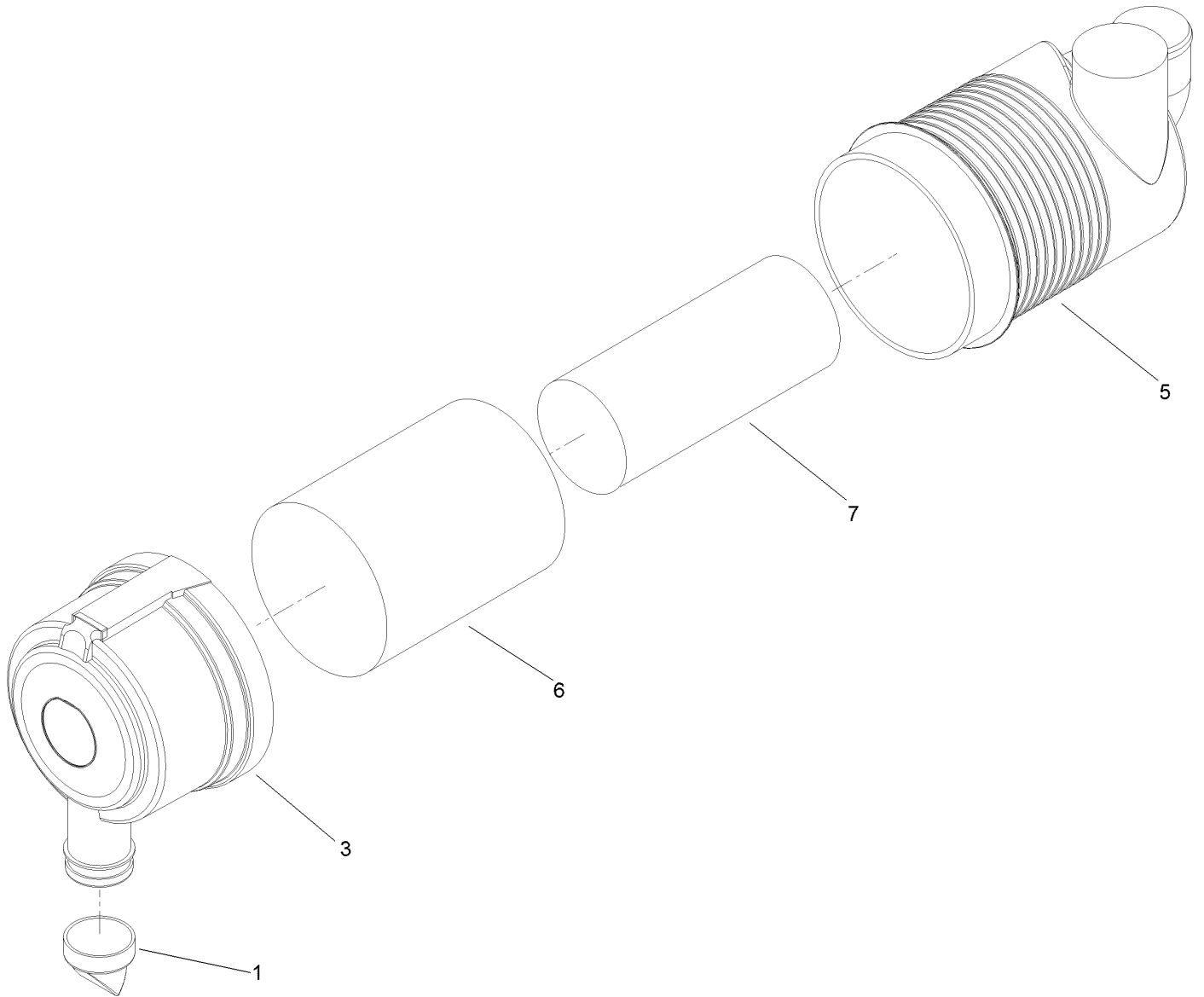
Engine and Air Cleaner Assembly



Engine and Air Cleaner Assembly (continued)

| <i>Ref.</i> | <i>Part Number</i> | <i>Qty.</i> | <i>Description</i> | <i>Ref.</i> | <i>Part Number</i> | <i>Qty.</i> | <i>Description</i> |
|-------------|--------------------|-------------|--------------------------|-------------|--------------------|-------------|---------------------|
| 1 | 136-4779 | 1 | Engine-Kubota | 14 | 136-4867 | 1 | Adapter-Drain |
| 2 | 138-4700 | 1 | Coupler-Spring, Flywheel | 15 | 2412-36 | 2 | Clamp-Hose |
| 3 | 107-1413 | 14 | Washer-Hardened | 16 | 133-1621 | 1 | Hose-Drain |
| 4 | 99-5130 | 6 | Screw-HH | 17 | 133-6962-03 | 1 | Mount-Engine |
| 5 | 132-6120-0P | 1 | Plate-Flywheel | 18 | 133-6964-03 | 1 | Mount-Engine |
| 6 | 117-5663 | 8 | Screw-HH | 19 | 43-5950 | 2 | Washer-Lock, Spring |
| 7 | 99-5414 | 1 | Strap-Cleaner, Air | 20 | 43-3210 | 2 | Screw-HH |
| 7:1 | 108-1512 | 2 | Spring | 21 | 48-8070 | 3 | Washer-Lock |
| 7:2 | 3256-22 | 2 | Washer-Flat | 22 | AU514-842 | 3 | Screw-HH |
| 7:3 | 33113-050 | 2 | Screw-HH | 23 | 133-6973 | 1 | Pipe-Exhaust |
| 7:4 | 33093-00 | 2 | Washer-Flat | 24 | 2412-3 | 2 | Clamp-Hose |
| 7:5 | 33023-00 | 2 | Nut-Lock | 25 | 3234-11 | 1 | Screw-HHF |
| 8 | 99-5410 | 1 | Air Cleaner ASM | 27 | 33104-020 | 4 | Screw-HHF |
| 9 | 104-3563 | 1 | Indicator | 29 | 138-2331-03 | 1 | Bracket-Pump, RH |
| 9:1 | 94-1416 | 1 | Adapter-Indicator | 30 | 3231-2 | 2 | Bolt-CARR |
| 10 | 322-16 | 2 | Screw-HH | 31 | 104-8301 | 2 | Nut-HF, NI |
| 11 | 104-8300 | 2 | Nut-HF, NI | 33 | 100-9333 | 1 | Gasket-Muffler |
| 12 | 139-1172 | 1 | Hose-Air, Cooler | 34 | 99-7230 | 1 | Fitting-90 DEG |
| 13 | 115-9469 | 1 | Clamp-R | 35 | 105-4886 | 1 | Nut-Tinnerman |

Air Cleaner Assembly No. 99-5410

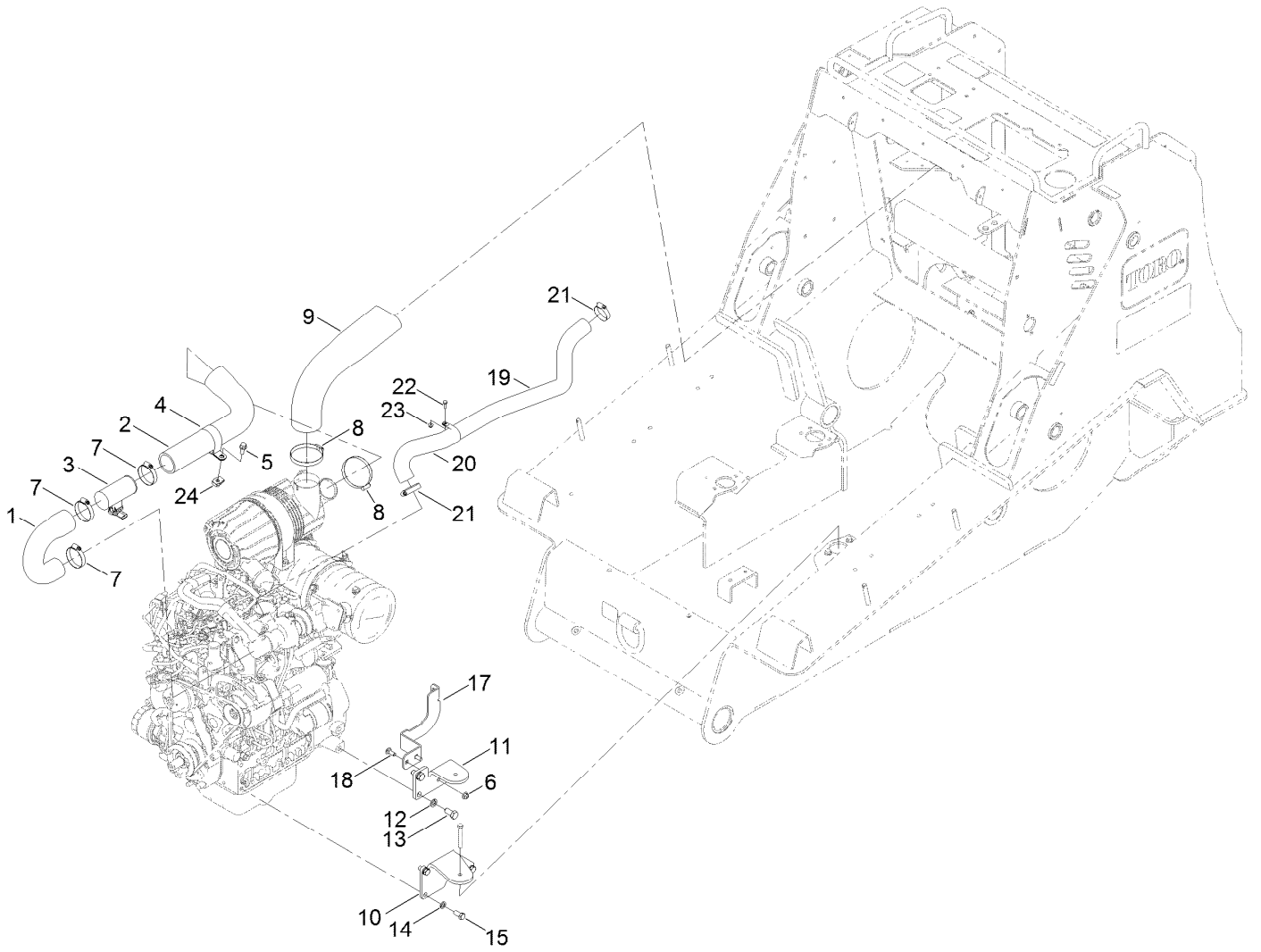


Air Cleaner Assembly No. 99-5410 (continued)

| <i>Ref.</i> | <i>Part Number</i> | <i>Qty.</i> | <i>Description</i> | <i>Ref.</i> | <i>Part Number</i> | <i>Qty.</i> | <i>Description</i> |
|-------------|--------------------|-------------|--------------------|-------------|--------------------|-------------|--------------------|
| 1 | 104-4258 | 1 | Valve-Vacuator | 6 | 108-3814 | 1 | Filter-Air |
| 3 | 104-4259 | 1 | Cover | 7 | 108-3816 | 1 | Filter-Air |
| 5 | | 1 | Body ASM ● | | | | |

● Not serviced separately

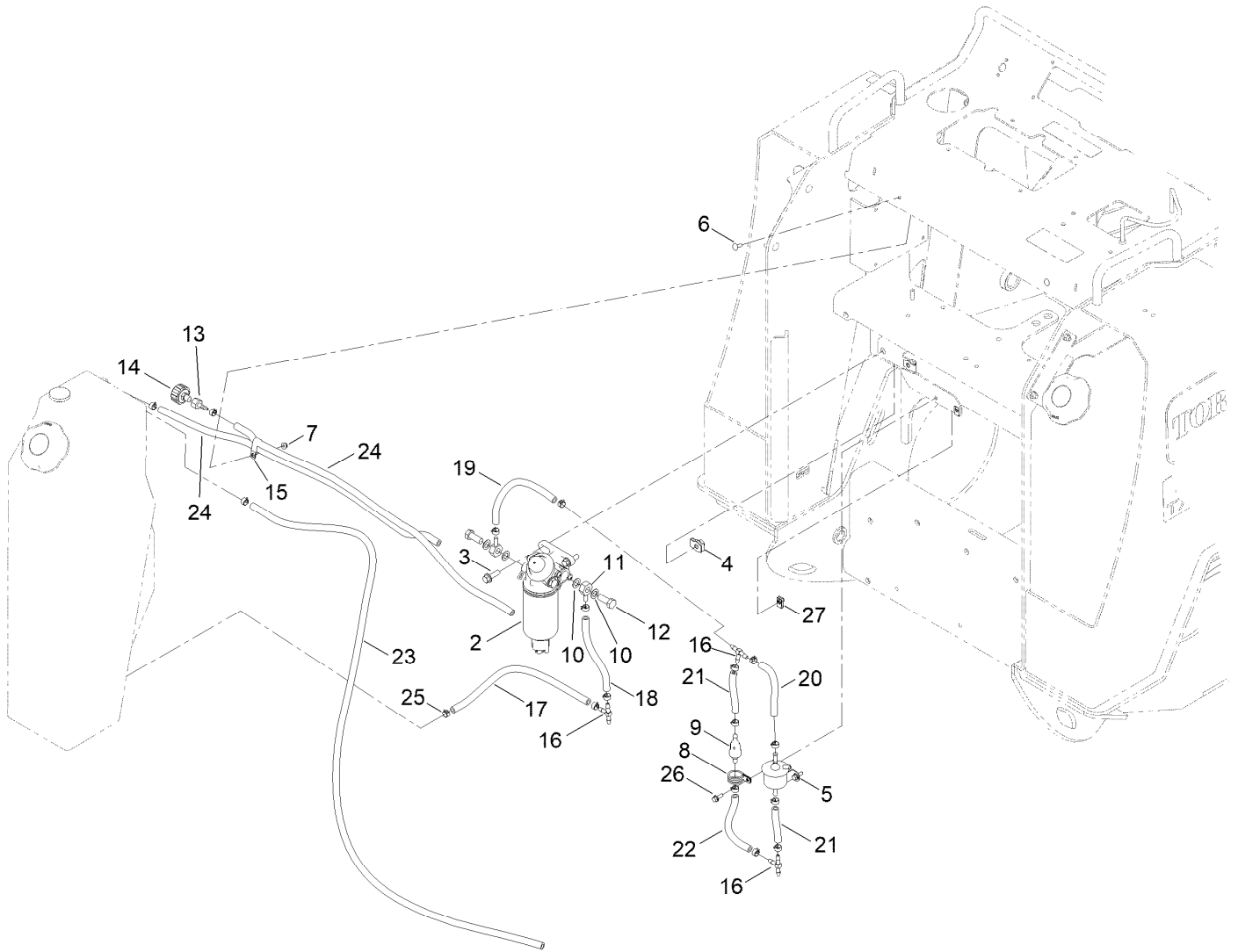
Engine Mount and Air Intake Hose Assembly



Engine Mount and Air Intake Hose Assembly (continued)

| <i>Ref.</i> | <i>Part Number</i> | <i>Qty.</i> | <i>Description</i> | <i>Ref.</i> | <i>Part Number</i> | <i>Qty.</i> | <i>Description</i> |
|-------------|--------------------|-------------|---------------------|-------------|--------------------|-------------|--------------------|
| 1 | 133-1622 | 1 | Hose-Intake | 13 | 43-3210 | 2 | Screw-HH |
| 2 | 137-0050 | 1 | Hose-Intake, Air | 14 | 48-8070 | 3 | Washer-Lock |
| 3 | 136-4741 | 1 | Sensor | 15 | AU514-842 | 3 | Screw-HH |
| 4 | 2412-102 | 1 | Clamp-R | 17 | 138-2332-03 | 1 | Bracket-Pump, LH |
| 5 | 3234-11 | 1 | Screw-HHF | 18 | 3231-2 | 2 | Bolt-CARR |
| 6 | 104-8301 | 2 | Nut-HF, NI | 19 | 137-0140 | 1 | Hose-Air, Cooler |
| 7 | 2412-42 | 3 | Clamp-Hose | 20 | 2412-148 | 1 | Clamp-R |
| 8 | 2412-110 | 2 | Clamp-Band/Screw | 21 | 2412-3 | 2 | Clamp-Hose |
| 9 | 133-1689 | 1 | Hose-Intake | 22 | 321-4 | 1 | Screw-HH |
| 10 | 133-6967-03 | 1 | Mount-Engine | 23 | 104-7201 | 1 | Nut-HF, NI |
| 11 | 133-6968-03 | 1 | Mount-Engine | 24 | 105-4886 | 1 | Nut-Tinnerman |
| 12 | 43-5950 | 2 | Washer-Lock, Spring | | | | |

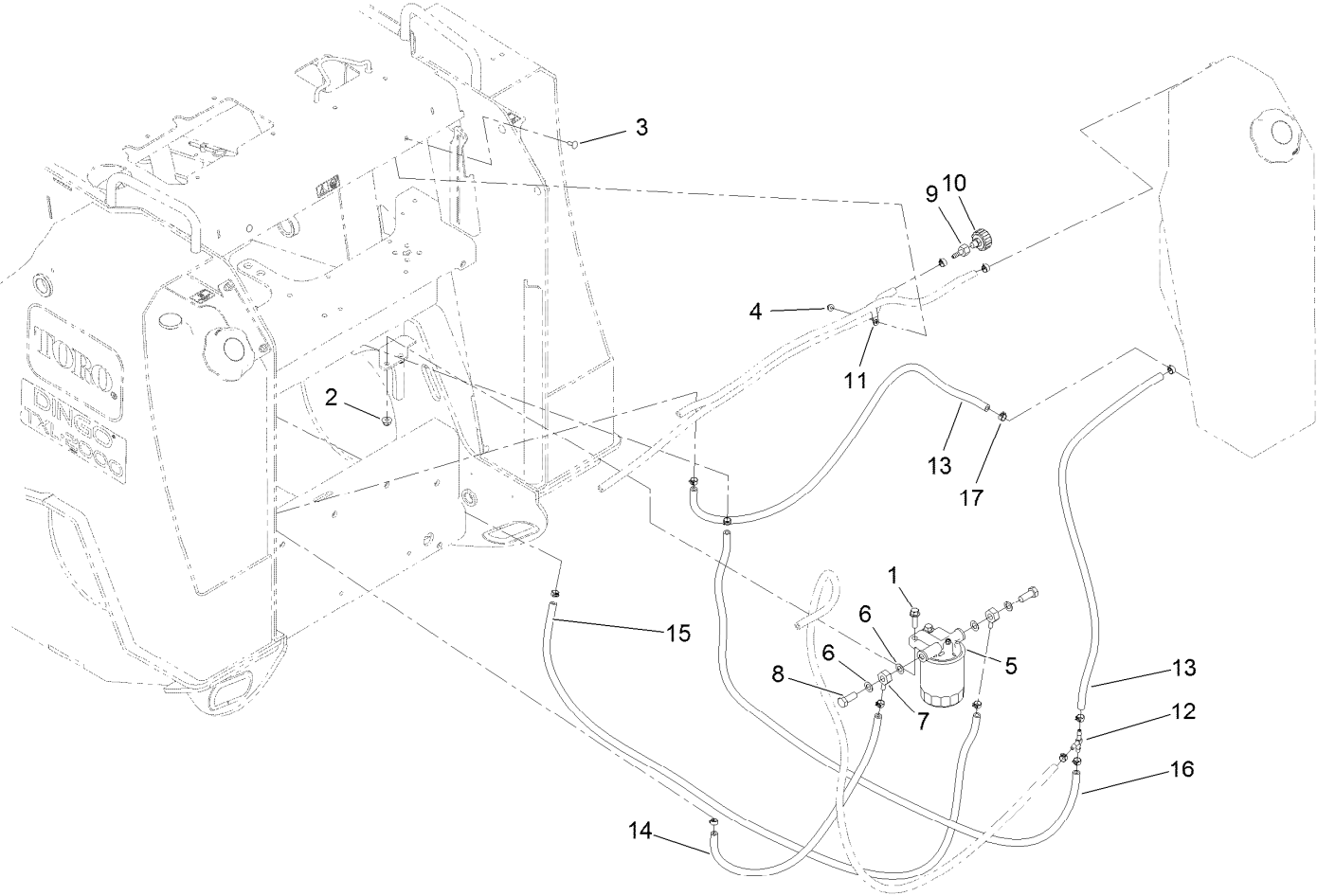
Fuel Pump and Water Seperator Assembly



Fuel Pump and Water Seperator Assembly (continued)

| <i>Ref.</i> | <i>Part Number</i> | <i>Qty.</i> | <i>Description</i> | <i>Ref.</i> | <i>Part Number</i> | <i>Qty.</i> | <i>Description</i> |
|-------------|--------------------|-------------|-------------------------|-------------|--------------------|-------------|----------------------|
| 2 | 136-4734 | 1 | Filter-Seperator, Water | 15 | 119-8153 | 1 | Clamp-R, Double Tube |
| 3 | 3234-24 | 2 | Screw-HHF | 16 | 99-5005 | 3 | Fitting-Tee, Barbed |
| 4 | 105-4886 | 2 | Nut-Tinnerman | 17 | 110-4113 | 1 | Hose-Fuel |
| 5 | 139-9642 | 1 | Assy Pump,Fuel | 18 | 110-4124 | 1 | Hose-Fuel |
| 6 | 3229-1 | 1 | Screw-CARR | 19 | 136-6098 | 1 | Hose-Fuel |
| 7 | 104-7201 | 1 | Nut-HF, NI | 20 | 109-0310 | 1 | Hose-Fuel |
| 8 | 132-7590 | 1 | R-Clamp | 21 | 136-6097 | 2 | Hose-Fuel |
| 9 | 136-4735 | 1 | Valve-Bypass | 22 | 108-3280 | 1 | Hose-Fuel |
| 10 | 137-0067 | 4 | O-Ring | 23 | 138-4715 | 1 | Hose-Fuel |
| 11 | 137-0065 | 2 | Adapter-Fuel | 24 | 136-6096 | 2 | Hose-Fuel |
| 12 | 137-0066 | 2 | Bolt-Joint | 25 | 92-2379 | 20 | Clamp-Hose |
| 13 | 354-95 | 1 | Fitting-Straight | 26 | 3234-4 | 2 | Screw-HHF |
| 14 | 68-6150 | 1 | Breather | 27 | 107069 | 2 | Clip |

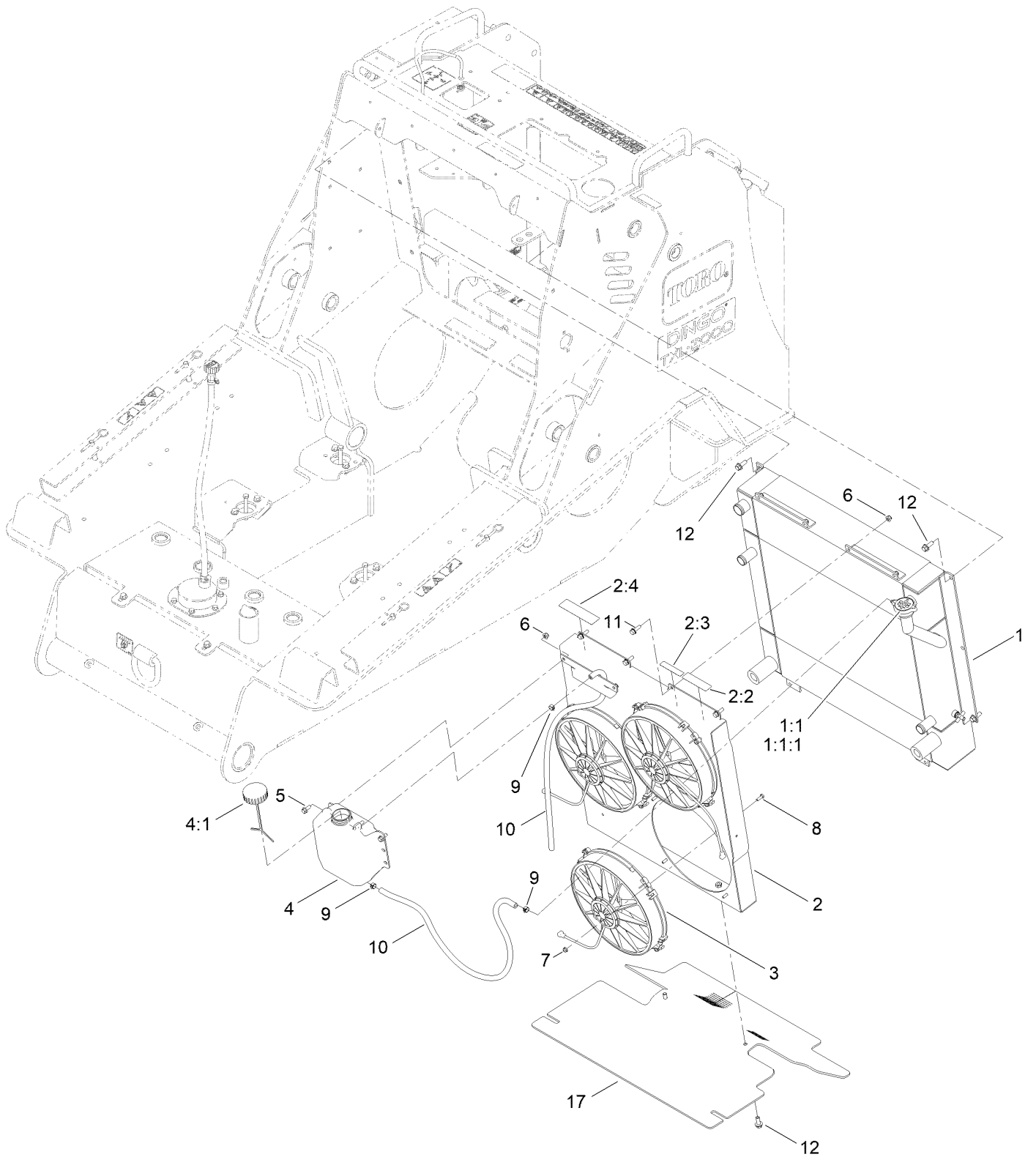
Fuel Filter and Hose Assembly



Fuel Filter and Hose Assembly (continued)

| <i>Ref.</i> | <i>Part Number</i> | <i>Qty.</i> | <i>Description</i> | <i>Ref.</i> | <i>Part Number</i> | <i>Qty.</i> | <i>Description</i> |
|-------------|--------------------|-------------|--------------------|-------------|--------------------|-------------|----------------------|
| 1 | 3234-24 | 2 | Screw-HHF | 10 | 68-6150 | 1 | Breather |
| 2 | 104-8301 | 2 | Nut-HF, NI | 11 | 119-8153 | 1 | Clamp-R, Double Tube |
| 3 | 3229-1 | 1 | Screw-CARR | 12 | 99-5005 | 1 | Fitting-Tee, Barbed |
| 4 | 104-7201 | 1 | Nut-HF, NI | 13 | 136-6099 | 2 | Hose-Fuel |
| 5 | 136-4733 | 1 | Filter-Fuel | 14 | 114-8206 | 1 | Hose-Fuel |
| 6 | 137-0067 | 4 | O-Ring | 15 | 132-1330 | 1 | Hose-Fuel |
| 7 | 137-0065 | 2 | Adapter-Fuel | 16 | 138-4714 | 1 | Hose-Fuel |
| 8 | 137-0066 | 2 | Bolt-Joint | 17 | 92-2379 | 10 | Clamp-Hose |
| 9 | 354-95 | 1 | Fitting-Straight | | | | |

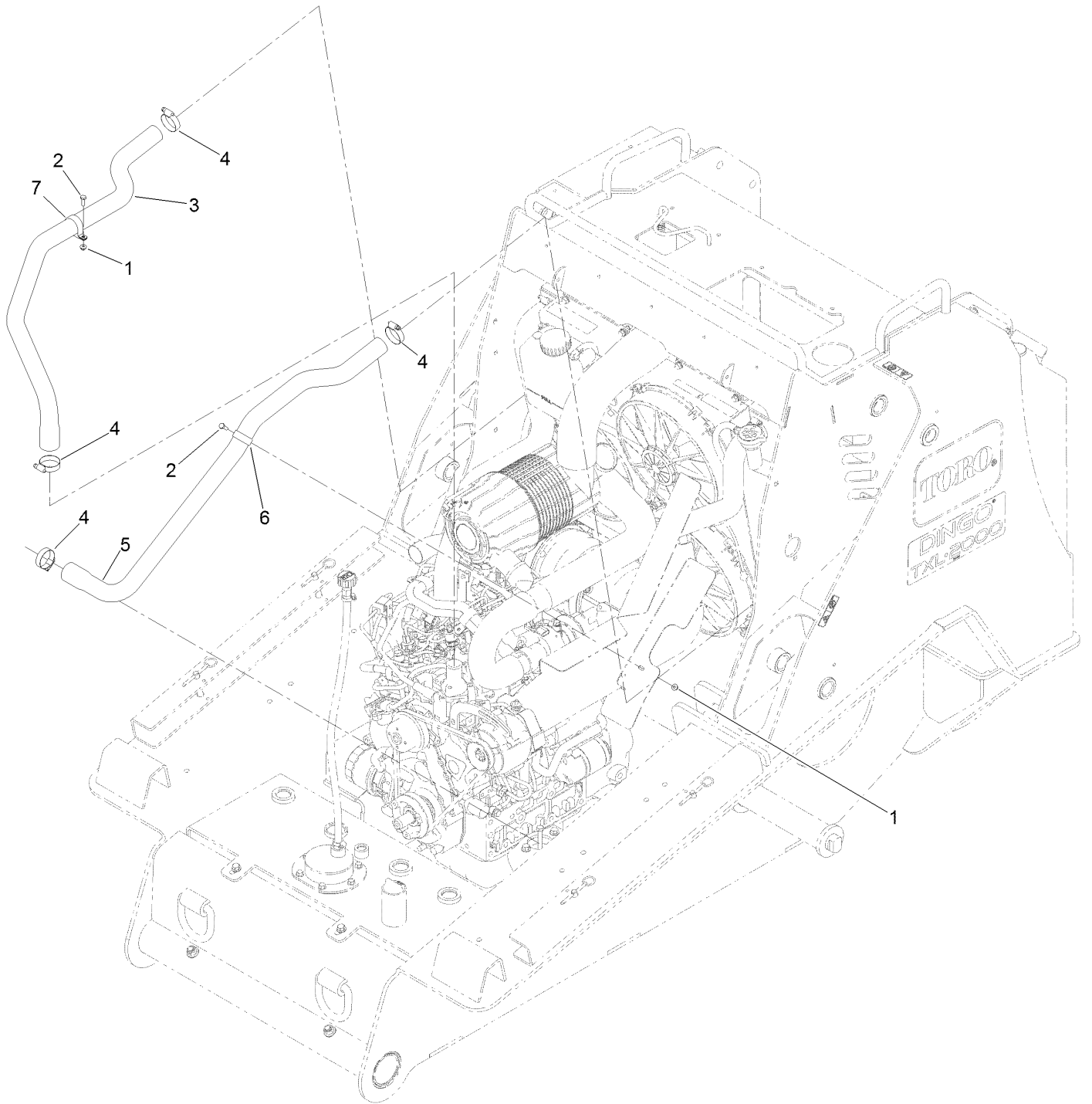
Radiator and Fan Assembly



Radiator and Fan Assembly (continued)

| <i>Ref.</i> | <i>Part Number</i> | <i>Qty.</i> | <i>Description</i> | <i>Ref.</i> | <i>Part Number</i> | <i>Qty.</i> | <i>Description</i> |
|-------------|--------------------|-------------|-----------------------|-------------|--------------------|-------------|--------------------|
| 1 | 136-4705 | 1 | Radiator/Cooler ASM | 5 | 3234-47 | 2 | Screw-HHF |
| 1:1 | 115-7766 | 1 | Cap-Radiator | 6 | 104-8300 | 8 | Nut-HF, NI |
| 1:1:1 | 106-6755 | 1 | Decal-Cap, Radiator | 7 | 104-7201 | 12 | Nut-HF, NI |
| 2 | 138-4727 | 1 | Cooler Shroud ASM | 8 | 321-4 | 12 | Screw-HH |
| 2:2 | 115-4865 | 1 | Decal-Fill, Radiator | 9 | 92-2379 | 3 | Clamp-Hose |
| 2:3 | 93-6681 | 1 | Decal-Warning, Fan | 10 | 136-6096 | 2 | Hose-Fuel |
| 2:4 | 93-7814 | 1 | Decal-Danger | 11 | 3234-29 | 6 | Screw-HHF |
| 3 | 1-633831 | 3 | Fan | 12 | 3234-42 | 6 | Screw-HHF |
| 4 | 144-6219 | 1 | Reservoir-Coolant ASM | 17 | 139-5713 | 1 | Baffle-Rubber |
| 4:1 | 87-7050 | 1 | Cap-Reservoir | | | | |

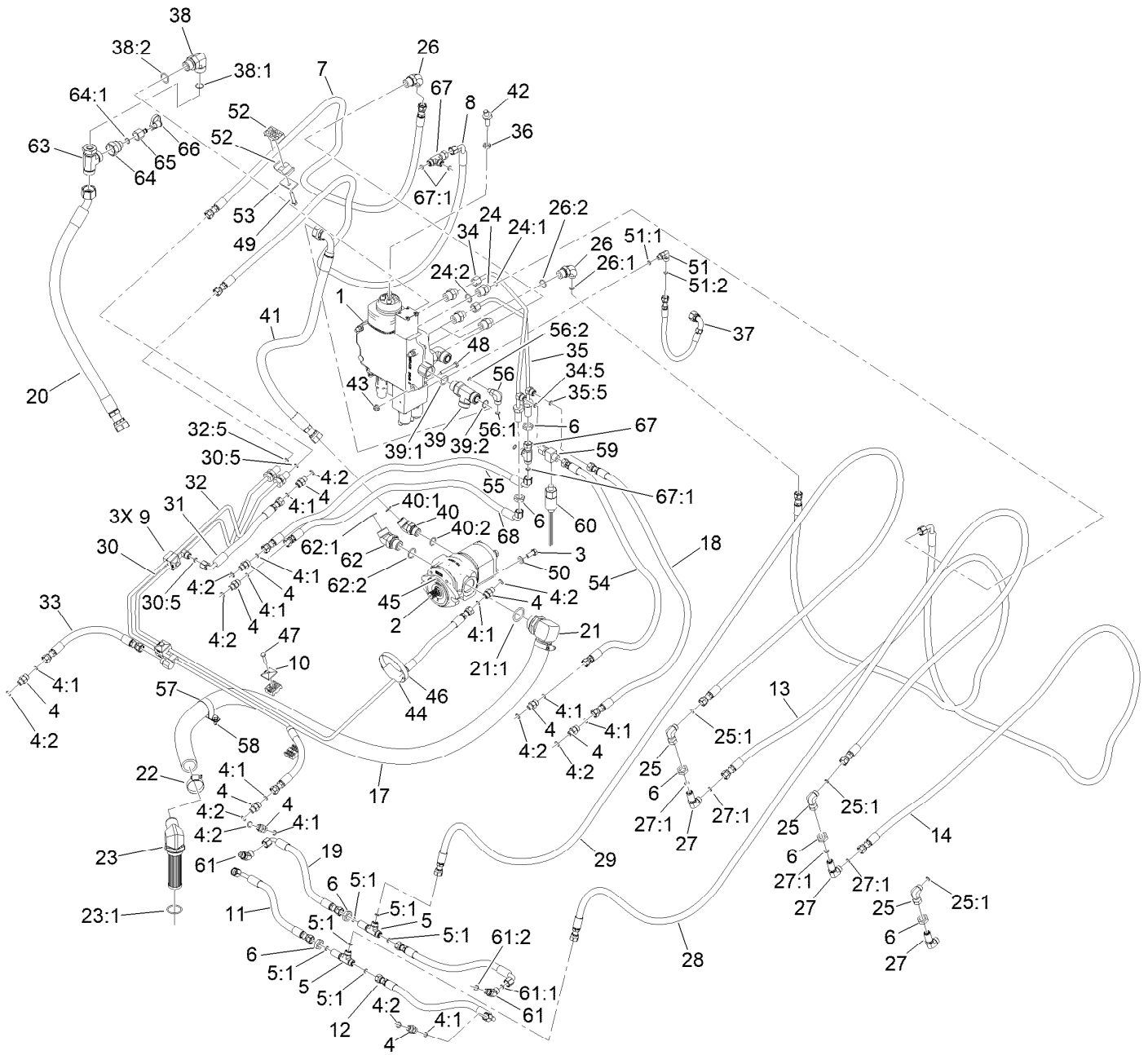
Radiator Hose Assembly



Radiator Hose Assembly (continued)

| <i>Ref.</i> | <i>Part Number</i> | <i>Qty.</i> | <i>Description</i> | <i>Ref.</i> | <i>Part Number</i> | <i>Qty.</i> | <i>Description</i> |
|-------------|--------------------|-------------|----------------------|-------------|--------------------|-------------|----------------------|
| 1 | 104-7201 | 1 | Nut-HF, NI | 5 | 138-4744 | 1 | Hose-Radiator, Lower |
| 2 | 3234-4 | 1 | Screw-HHF | 6 | 137-0147 | 1 | Clamp-R |
| 3 | 133-1691 | 1 | Hose-Radiator, Upper | 7 | 2412-147 | 1 | Clamp-R |
| 4 | 2412-3 | 4 | Clamp-Hose | | | | |

Lift Valve and Pump Assembly

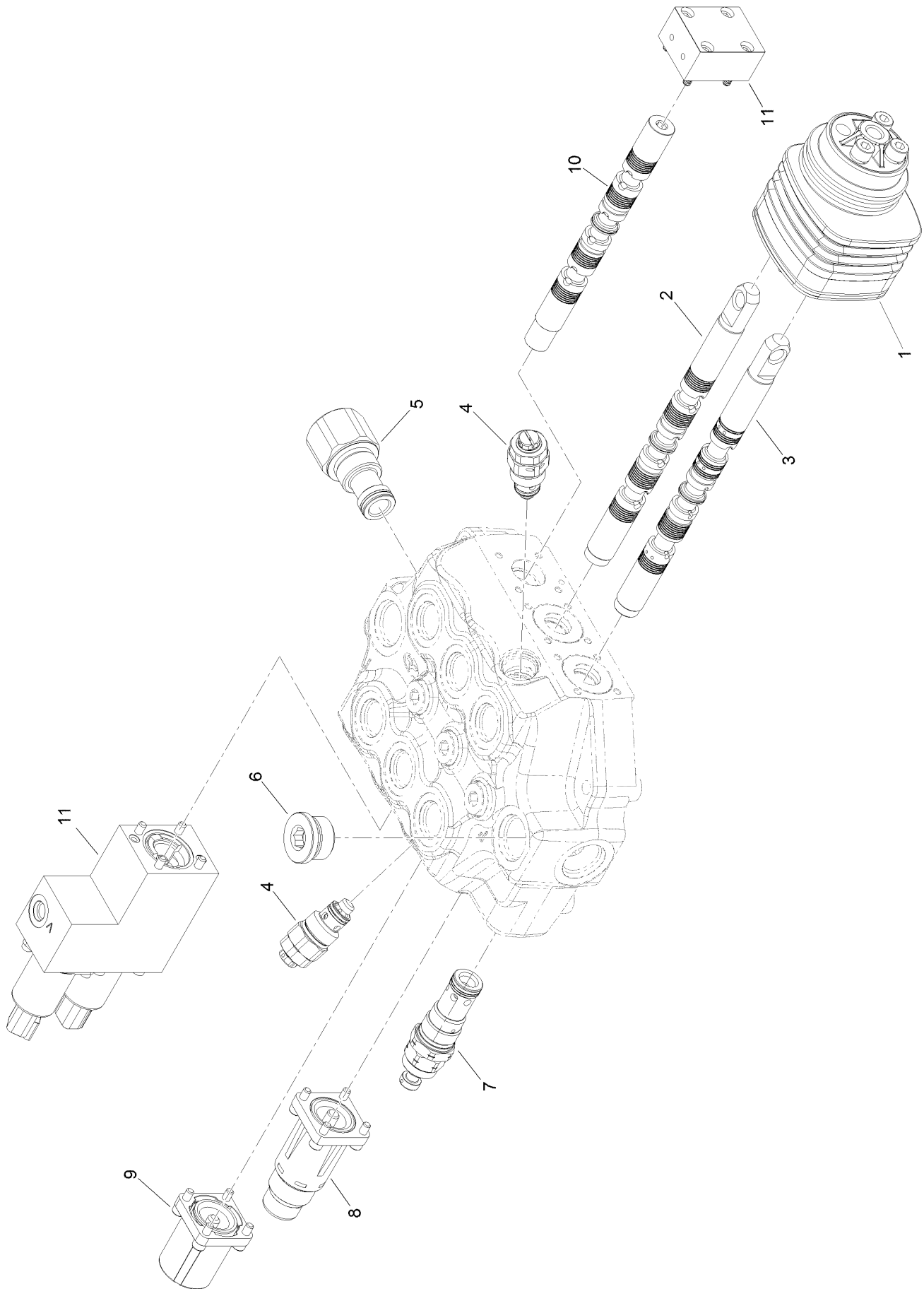


Lift Valve and Pump Assembly (continued)

| <i>Ref.</i> | <i>Part Number</i> | <i>Qty.</i> | <i>Description</i> | <i>Ref.</i> | <i>Part Number</i> | <i>Qty.</i> | <i>Description</i> |
|-------------|--------------------|-------------|-----------------------|-------------|--------------------|-------------|-----------------------|
| 1 | 133-6911 | 1 | Lift Valve ASM | 38 | 340-142 | 2 | Fitting-Elbow, 90 DEG |
| 2 | 133-0281 | 1 | Gear Pump ASM | 38:1 | 237-58 | 1 | O-Ring |
| 3 | 33115-025 | 2 | Screw-HH | 38:2 | 237-81 | 1 | O-Ring |
| 4 | 340-2 | 10 | Fitting-Straight | 39 | 340-148 | 1 | Fitting-Tee |
| 4:1 | 237-22 | 1 | O-Ring | 39:1 | 237-81 | 1 | O-Ring |
| 4:2 | 237-42 | 1 | O-Ring | 39:2 | 237-58 | 2 | O-Ring |
| 5 | 340-68 | 2 | Fitting-Tee, Bulkhead | 40 | 340-14 | 1 | Fitting-HYD, 45 DEG |
| 5:1 | 237-22 | 3 | O-Ring | 40:1 | 237-65 | 1 | O-Ring |
| 6 | 340-70 | 9 | Nut-Lock | 40:2 | 237-80 | 1 | O-Ring |
| 7 | 133-9356 | 1 | HYD Hose ASM | 41 | 138-0233 | 1 | HYD Hose ASM |
| 8 | 133-9357 | 1 | HYD Hose ASM | 42 | 138-2343 | 1 | Shaft-Control |
| 9 | 137-5275 | 3 | Clamp-Hose | 43 | 104-8300 | 3 | Nut-HF, NI |
| 10 | 127-8424 | 3 | Plate-Clamp, Retainer | 44 | 137-0146 | 1 | Block-Hardline |
| 11 | 139-1150 | 1 | HYD Hose ASM | 45 | 237-161 | 1 | O-Ring |
| 12 | 139-1151 | 1 | HYD Hose ASM | 46 | 2412-110 | 1 | Clamp-Band/Screw |
| 13 | 133-1629 | 1 | HYD Hose ASM | 47 | 321-13 | 3 | Screw-HH |
| 14 | 133-1630 | 1 | HYD Hose ASM | 48 | 322-11 | 3 | Screw-HH |
| 17 | 133-9377 | 1 | Hose | 49 | 322-8 | 1 | Screw-HH |
| 18 | 133-9372 | 1 | HYD Hose ASM | 50 | 33095-00 | 2 | Washer-Flat |
| 19 | 139-1152 | 2 | HYD Hose ASM | 51 | 340-132 | 1 | Fitting-Elbow, 90 DEG |
| 20 | 139-1204 | 1 | HYD Hose ASM | 51:1 | 237-78 | 1 | O-Ring |
| 21 | 92-7526 | 1 | Fitting-HYD 90 Spcl | 51:2 | 237-21 | 1 | O-Ring |
| 21:1 | 237-101 | 1 | O-Ring | 52 | 56-7971 | 2 | Clamp-Tube |
| 22 | 2412-111 | 2 | Clamp-Hose, W/Liner | 53 | 69-9760 | 1 | Plate-Cover |
| 23 | 145-0622 | 1 | Strainer Fitting ASM | 54 | 140-6003 | 1 | HYD Hose ASM |
| 23:1 | 237-101 | 1 | O-Ring | 55 | 138-4701 | 1 | HYD Hose ASM |
| 24 | 340-141 | 4 | Fitting-STR | 56 | 340-97 | 1 | Fitting-Elbow, 90 DEG |
| 24:1 | 237-22 | 1 | O-Ring | 56:1 | 237-22 | 1 | O-Ring |
| 24:2 | 237-80 | 1 | O-Ring | 56:2 | 237-78 | 1 | O-Ring |
| 25 | 340-159 | 3 | Elbow-90 | 57 | 2412-147 | 1 | Clamp-R |
| 25:1 | 237-22 | 2 | O-Ring | 58 | 32104-32 | 1 | Screw-HWH |
| 26 | 340-130 | 2 | Fitting-Elbow 90 | 59 | 95-5658 | 1 | Fitting-HYD, Special |
| 26:1 | 237-22 | 1 | O-Ring | 59:1 | 237-22 | 1 | O-Ring ● |
| 26:2 | 237-80 | 1 | O-Ring | 60 | 139-4848 | 1 | Switch-Pressure, |
| 27 | 340-154 | 3 | Union-Bulkhead | 61 | 340-87 | 2 | Fitting-Elbow, 45 DEG |
| 27:1 | 237-22 | 2 | O-Ring | 61:1 | 237-22 | 1 | O-Ring |
| 28 | 133-9412 | 1 | HYD Hose ASM | 61:2 | 237-42 | 1 | O-Ring |
| 29 | 133-9413 | 1 | HYD Hose ASM | 62 | 100-5530 | 1 | Fitting-45 DEG |
| 30 | 137-0143 | 1 | HYD Tube ASM | 62:1 | 237-58 | 1 | O-Ring |
| 30:5 | 237-22 | 2 | O-Ring | 62:2 | 237-81 | 1 | O-Ring |
| 31 | 133-1619 | 1 | HYD Hose ASM | 63 | ST50975 | 1 | Fitting-HYD |
| 32 | 137-0142 | 1 | HYD Tube ASM | 64 | 95-3513 | 1 | Fitting-Straight |
| 32:5 | 237-22 | 2 | O-Ring | 64:1 | 237-30 | 1 | O-Ring |
| 33 | 133-1617 | 1 | HYD Hose ASM | 65 | 100-5616 | 1 | Fitting |
| 34 | 136-6080 | 1 | HYD Tube ASM | 66 | 354-79 | 1 | Cap-Dust |
| 34:5 | 237-22 | 2 | O-Ring | 67 | 340-115 | 2 | Fitting-Tee |
| 35 | 136-6081 | 1 | HYD Tube ASM | 67:1 | 237-22 | 2 | O-Ring |
| 35:5 | 237-22 | 2 | O-Ring | 68 | 140-6004 | 1 | HYD Hose ASM |
| 36 | 51-2070 | 1 | Nut | | | | |
| 37 | 137-0117 | 1 | HYD Hose ASM | | | | |

● Not illustrated

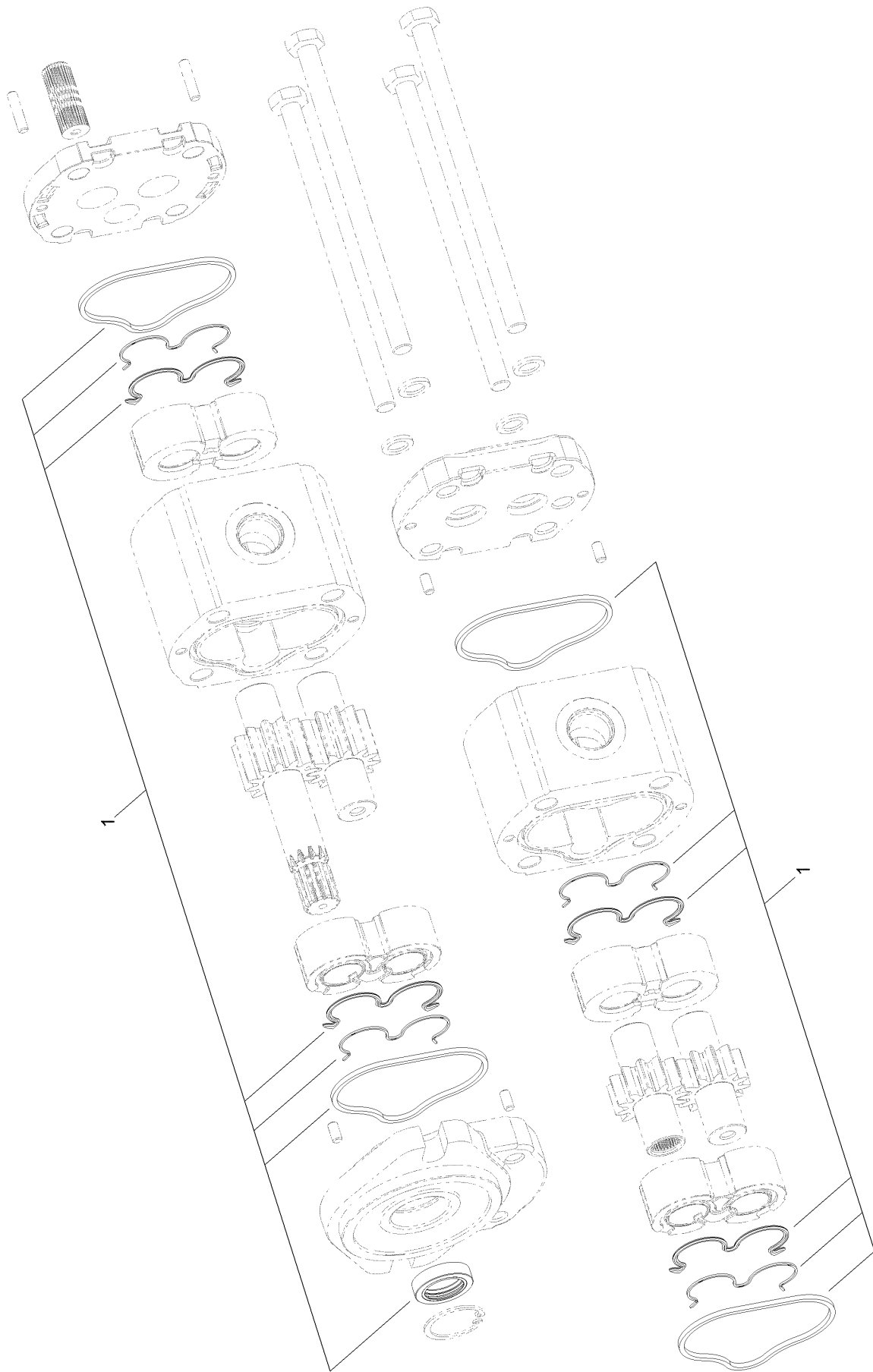
Lift Valve Assembly No. 133-6911



Lift Valve Assembly No. 133-6911 (continued)

| <i>Ref.</i> | <i>Part Number</i> | <i>Qty.</i> | <i>Description</i> | <i>Ref.</i> | <i>Part Number</i> | <i>Qty.</i> | <i>Description</i> |
|-------------|--------------------|-------------|--------------------|-------------|--------------------|-------------|--------------------|
| 1 | 139-1219 | 1 | Cover Kit | 7 | 139-1226 | 1 | Valve Kit |
| 2 | 139-1221 | 1 | Valve-Spool | 8 | 139-1227 | 1 | Command Kit |
| 3 | 139-1222 | 1 | Valve-Spool | 9 | 139-1228 | 1 | Control Kit |
| 4 | 139-1223 | 2 | Cartridge-Relief | 10 | 139-1229 | 1 | Valve-Spool |
| 5 | 139-1224 | 1 | Joint-SAE12 | 11 | 139-1230 | 1 | Command Kit |
| 6 | 139-1225 | 1 | Plug-SAE12 | | | | |

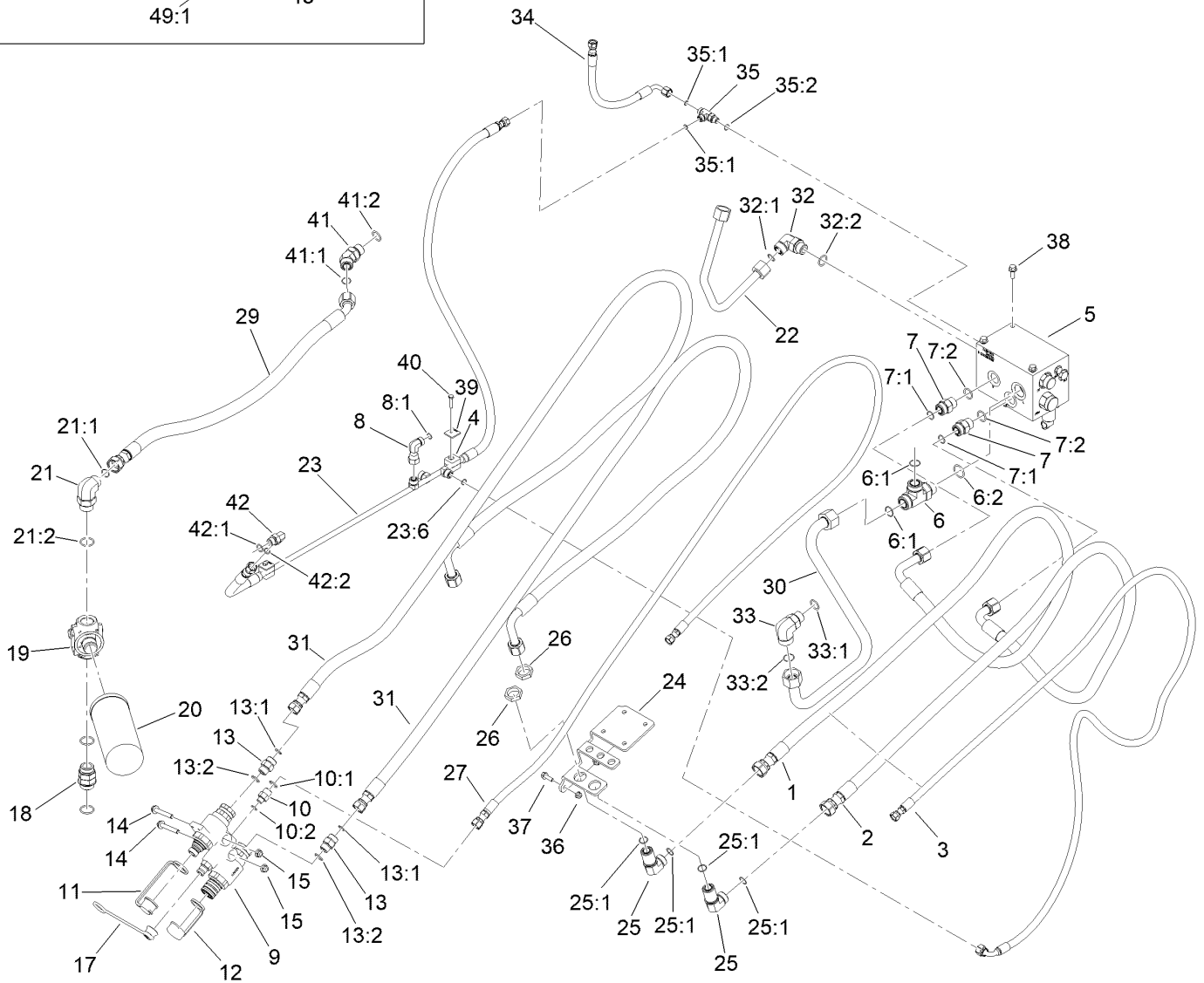
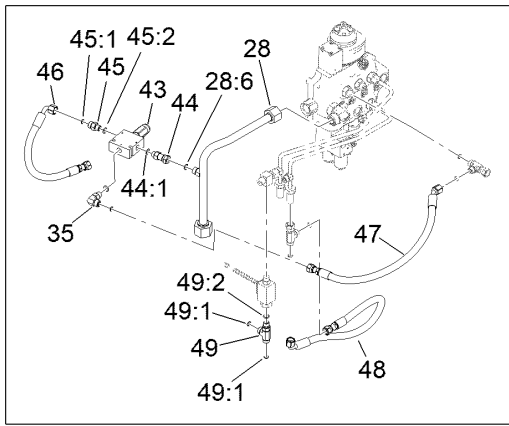
Gear Pump Assembly No. 133-0281



Gear Pump Assembly No. 133-0281 (continued)

| <i>Ref.</i> | <i>Part Number</i> | <i>Qty.</i> | <i>Description</i> |
|-------------|--------------------|-------------|--------------------|
| 1 | 139-1211 | 1 | Seal Kit |

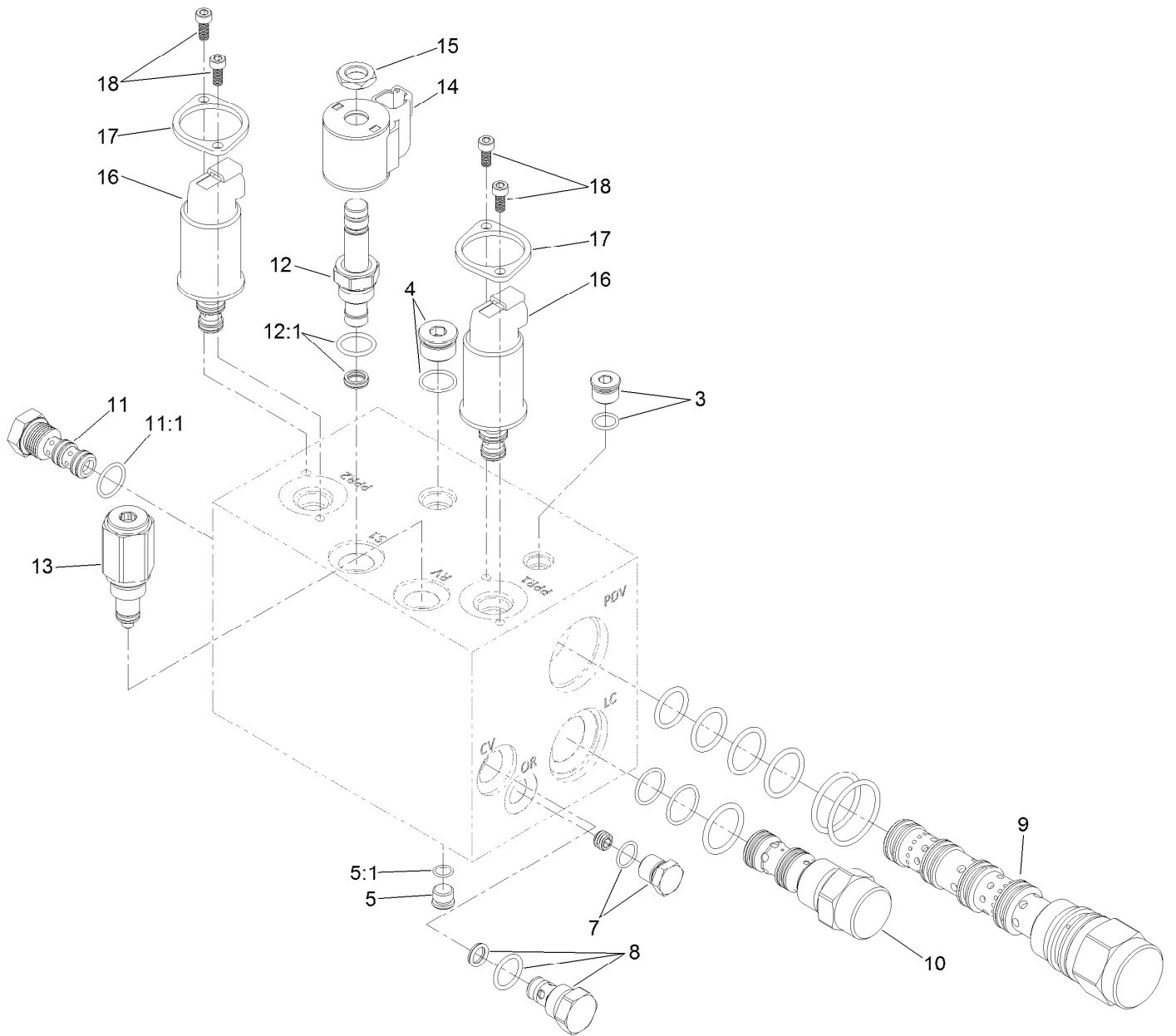
Auxiliary Hydraulic Assembly



Auxiliary Hydraulic Assembly (continued)

| <i>Ref.</i> | <i>Part Number</i> | <i>Qty.</i> | <i>Description</i> | <i>Ref.</i> | <i>Part Number</i> | <i>Qty.</i> | <i>Description</i> |
|-------------|--------------------|-------------|--------------------|-------------|--------------------|-------------|----------------------------|
| 1 | 133-1631 | 1 | HYD Hose ASM | 28:6 | 237-22 | 1 | O-Ring |
| 2 | 133-1632 | 1 | HYD Hose ASM | 29 | 133-9391 | 1 | HYD Hose ASM |
| 3 | 133-9354 | 1 | HYD Hose ASM | 30 | 136-6079 | 1 | Hydraulic Tube ASM |
| 4 | 138-4696 | 2 | Clamp-Tube | 31 | 145-4386 | 2 | HYD Hose ASM |
| 5 | 136-4872 | 1 | Aux Manifold ASM | 32 | 340-142 | 1 | Fitting-Elbow, 90 DEG |
| 6 | 104-3795 | 1 | Fitting-Tee | 32:1 | 237-58 | 1 | O-Ring |
| 6:1 | 340-65 | 2 | O-Ring | 32:2 | 237-81 | 1 | O-Ring |
| 6:2 | 237-146 | 1 | O-Ring | 33 | 104-3796 | 1 | Fitting-Elbow 90 |
| 7 | 340-9 | 2 | Fitting-STR | 33:1 | 237-81 | 1 | O-Ring |
| 7:1 | 237-58 | 1 | O-Ring | 33:2 | 340-65 | 1 | O-Ring |
| 7:2 | 237-81 | 1 | O-Ring | 34 | 138-0169 | 1 | HYD Hose ASM |
| 8 | 94-6031 | 1 | Elbow-90 | 35 | 340-77 | 1 | Fitting-Elbow, 90 DEG |
| 8:1 | 237-30 | 1 | O-Ring | 35 | 340-86 | 1 | Fitting-Tee |
| 9 | 150-2410 | 1 | Manifold-Qdc | 35:1 | 237-22 | 1 | O-Ring |
| 10 | 340-5 | 1 | Fitting-Straight | 35:1 | 237-22 | 2 | O-Ring |
| 10:1 | 237-42 | 1 | O-Ring | 35:2 | 237-42 | 1 | O-Ring |
| 10:2 | 237-30 | 1 | O-Ring | 35:2 | 237-42 | 1 | O-Ring |
| 11 | 100-8815 | 1 | Cap-Dust, Nipple | 36 | 104-8300 | 3 | Nut-HF, NI |
| 12 | 100-8816 | 1 | Cap-Dust, Coupler | 37 | 3234-29 | 3 | Screw-HHF |
| 13 | 340-7 | 2 | Fitting-Straight | 38 | 3234-11 | 3 | Screw-HHF |
| 13:1 | 237-65 | 1 | O-Ring | 39 | 137-0128 | 2 | Plate-Clamp, Tube |
| 13:2 | 237-80 | 1 | O-Ring | 40 | 321-8 | 2 | Screw-HH |
| 14 | 133-9682 | 2 | Screw-Hfh | 41 | 100-5530 | 1 | Fitting-45 DEG |
| 15 | 104-8301 | 2 | Nut-HF, NI | 41:1 | 237-58 | 1 | O-Ring |
| 17 | 131-6069 | 1 | Cap-Dust, Nipple | 41:2 | 237-81 | 1 | O-Ring |
| 18 | 133-9400 | 1 | Fitting-Straight | 42 | 340-98 | 1 | Fitting-Elbow, 90 DEG |
| 19 | 121-1577 | 1 | Head-Filter | 42:1 | 237-79 | 1 | O-Ring |
| 20 | 94-2621 | 1 | Element-Filter | 42:2 | 237-30 | 1 | O-Ring |
| 21 | 340-15 | 1 | Fitting-Elbow 90 | 43 | 139-4856 | 1 | Valve-Sequence |
| 21:1 | 237-58 | 1 | O-Ring | 44 | 104-3779 | 1 | Connector-Swivel, Straight |
| 21:2 | 237-146 | 1 | O-Ring | 44:1 | 237-42 | 1 | O-Ring |
| 22 | 137-0124 | 1 | HYD Tube ASM | 45 | 114-7783 | 1 | Fitting-Straight |
| 23 | 137-0125 | 1 | HYD Tube ASM | 45:1 | 237-22 | 1 | O-Ring |
| 23:6 | 237-30 | 3 | O-Ring | 45:2 | 237-42 | 1 | O-Ring |
| 24 | 133-9408-03 | 1 | Mount-Carrier | 46 | 104-2240 | 1 | Hose ASM |
| 25 | 133-9407 | 2 | Fitting-Elbow 90 | 47 | 98-7416 | 1 | Hose-HYD |
| 25:1 | 237-58 | 2 | O-Ring | 48 | 120-6572 | 1 | Hose-HYD |
| 26 | 340-126 | 2 | Nut-Bulkhead | 49 | 340-86 | 1 | Fitting-Tee |
| 27 | 145-4387 | 1 | HYD Hose ASM | 49:1 | 237-22 | 2 | O-Ring |
| 28 | 137-0123 | 1 | HYD Tube ASM | 49:2 | 237-42 | 1 | O-Ring |

Auxiliary Manifold Assembly No. 136-4872

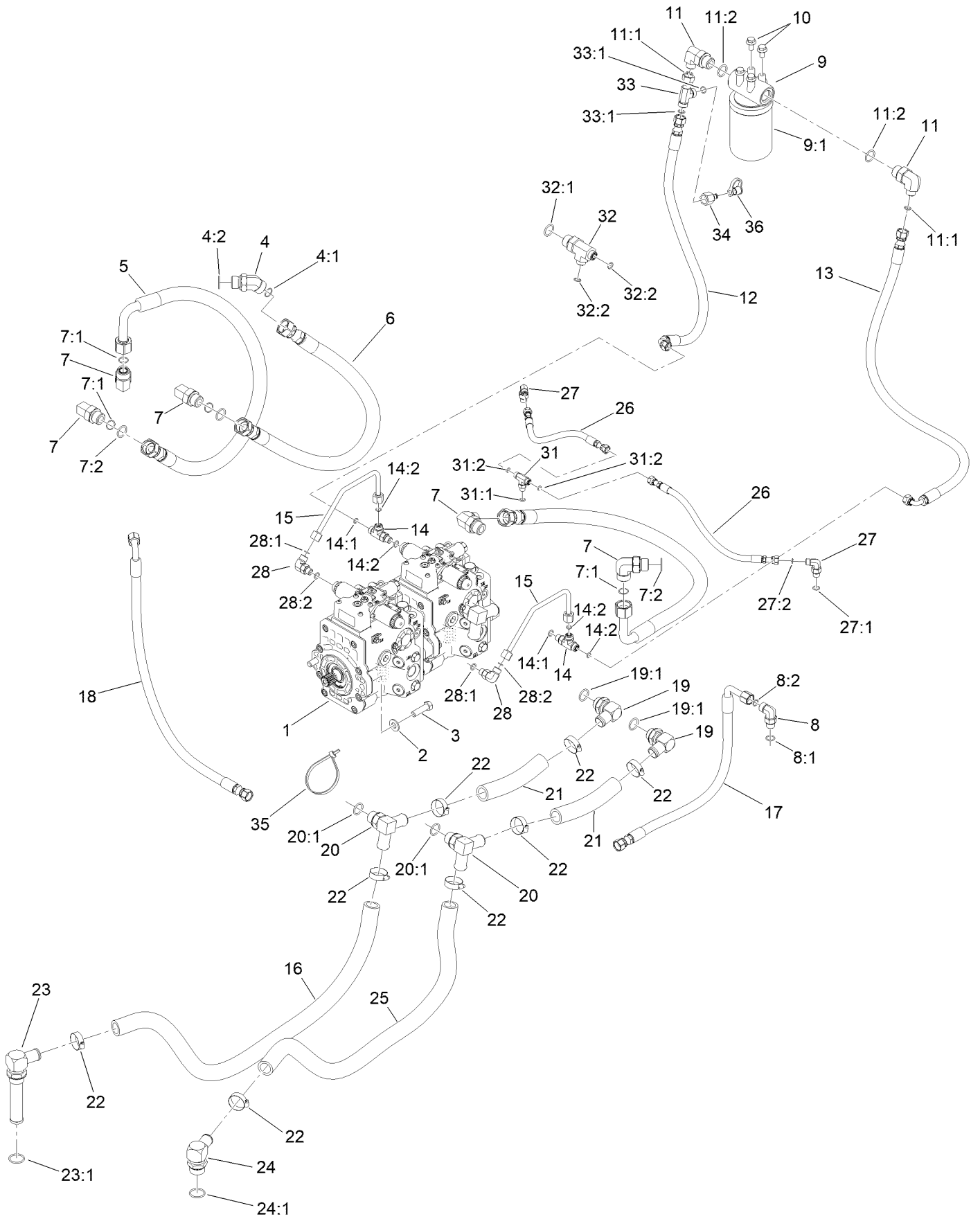


Auxiliary Manifold Assembly No. 136-4872 (continued)

| <i>Ref.</i> | <i>Part Number</i> | <i>Qty.</i> | <i>Description</i> | <i>Ref.</i> | <i>Part Number</i> | <i>Qty.</i> | <i>Description</i> |
|-------------|--------------------|-------------|------------------------------------|-------------|--------------------|-------------|--------------------------|
| 3 | 112-9213 | 1 | Plug | 11:1 | 110-8773 | 1 | Seal Kit |
| 4 | 106-1027 | 1 | Plug | 12 | 120-6562 | 1 | Valve-Solenoid |
| 5 | 353-990 | 1 | Plug ASM | 12:1 | 105-9156 | 1 | Seal Kit |
| 5:1 | 237-78 | 1 | O-Ring | 13 | 139-1217 | 1 | Valve-Relief |
| 6 | 139-4832 | 1 | Orifice-.035 ● | 14 | 112-0197 | 1 | E Coil-12V DC |
| 7 | 353-509 | 1 | Plug | 15 | 110-2634 | 1 | Nut-Coil |
| 8 | 139-4833 | 1 | Valve-Check, | 16 | 139-1218 | 2 | Valve-Prop Press |
| 9 | 139-1214 | 1 | Valve-Proportional, Directional | | | | Reducing/Relieving |
| 10 | 139-4834 | 1 | Cartridge-Logic, | 17 | 138-3825 | 2 | Plate-Mounting, Standard |
| 11 | 131-6506 | 1 | Shuttle-Load | 18 | 138-3827 | 4 | Screw |

● Not illustrated

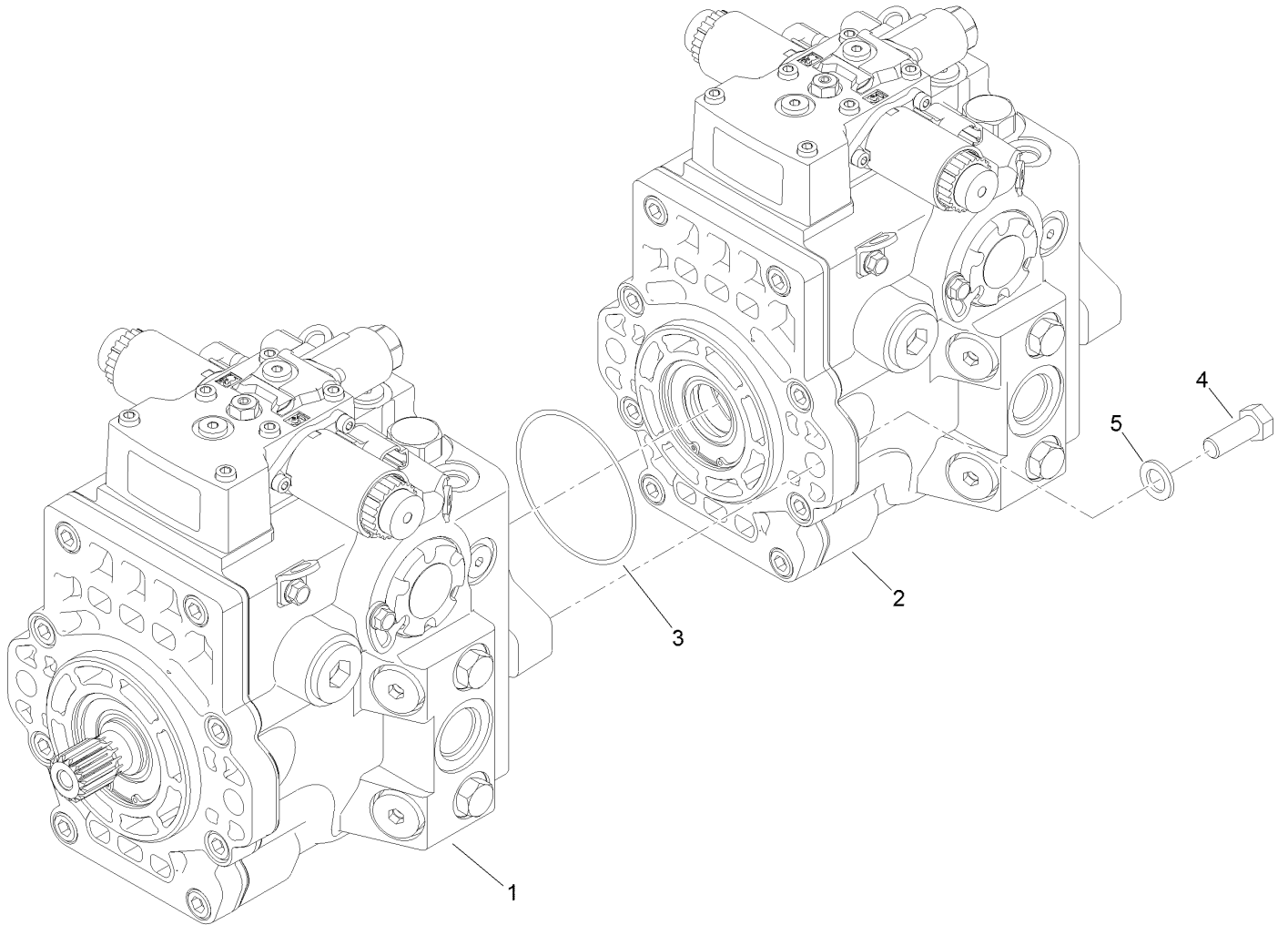
Tandem Pump Assembly



Tandem Pump Assembly (continued)

| <i>Ref.</i> | <i>Part Number</i> | <i>Qty.</i> | <i>Description</i> | <i>Ref.</i> | <i>Part Number</i> | <i>Qty.</i> | <i>Description</i> |
|-------------|--------------------|-------------|-----------------------|-------------|--------------------|-------------|-----------------------|
| 1 | 132-8497 | 1 | HYD Pump ASM | 19 | 100-4202 | 2 | Fitting-90 |
| 2 | 87-7270 | 2 | Washer-Thrust | 19:1 | 237-81 | 1 | O-Ring |
| 3 | 121-1524 | 2 | Screw-HH | 20 | AU375462A1 | 2 | Connector |
| 4 | 100-5530 | 2 | Fitting-45 DEG | 20:1 | 237-81 | 1 | O-Ring |
| 4:1 | 237-58 | 1 | O-Ring | 21 | 137-0078 | 2 | Hose |
| 4:2 | 237-81 | 1 | O-Ring | 22 | 2412-34 | 8 | Clamp-Hose |
| 5 | 133-9374 | 2 | HYD Hose ASM | 23 | 105-0204 | 1 | Strainer Fitting ASM |
| 6 | 133-9373 | 2 | HYD Hose ASM | 23:1 | 237-146 | 1 | O-Ring |
| 7 | 340-142 | 6 | Fitting-Elbow, 90 DEG | 24 | 23-8910 | 1 | Stem-Barb-90 |
| 7:1 | 237-58 | 1 | O-Ring | 24:1 | 237-146 | 1 | O-Ring |
| 7:2 | 237-81 | 1 | O-Ring | 25 | 133-9399 | 1 | Hose |
| 8 | 340-98 | 2 | Fitting-Elbow, 90 DEG | 26 | 139-5722 | 2 | HYD Hose ASM |
| 8:1 | 237-79 | 1 | O-Ring | 27 | 340-82 | 2 | Fitting-Elbow, 90 DEG |
| 8:2 | 237-30 | 1 | O-Ring | 27:1 | 237-42 | 1 | O-Ring |
| 9 | 93-2242 | 1 | Oil Filter ASM | 27:2 | 237-21 | 1 | O-Ring |
| 9:1 | 75-1310 | 1 | Filter-HYD | 28 | 340-77 | 2 | Fitting-Elbow, 90 DEG |
| 10 | 33105-020 | 4 | Screw-HHF | 28:1 | 237-22 | 1 | O-Ring |
| 11 | 340-131 | 1 | Fitting-HYD, 90 DEG | 28:2 | 237-42 | 1 | O-Ring |
| 11:1 | 237-30 | 1 | O-Ring | 31 | 340-125 | 1 | Fitting-Tee |
| 11:2 | 237-81 | 1 | O-Ring | 31:1 | 237-21 | 2 | O-Ring |
| 12 | 139-1184 | 1 | HYD Hose ASM | 31:2 | 237-78 | 1 | O-Ring |
| 13 | 133-9385 | 1 | HYD Hose ASM | 32 | 117-0676 | 1 | Fitting-Tee |
| 14 | 340-86 | 2 | Fitting-Tee | 32:1 | 237-30 | 2 | O-Ring |
| 14:1 | 237-22 | 2 | O-Ring | 32:2 | 237-81 | 1 | O-Ring |
| 14:2 | 237-42 | 1 | O-Ring | 33 | 340-104 | 1 | Fitting-Tee |
| 15 | 133-9389 | 2 | HYD Tube ASM | 33:1 | 237-30 | 2 | O-Ring |
| 16 | 133-9392 | 1 | Hose | 34 | 100-5616 | 1 | Fitting |
| 17 | 133-9379 | 1 | HYD Hose ASM | 35 | 3334-945 | 1 | Tie-Cable |
| 18 | 133-9381 | 1 | HYD Hose ASM | 36 | 354-79 | 1 | Cap-Dust |

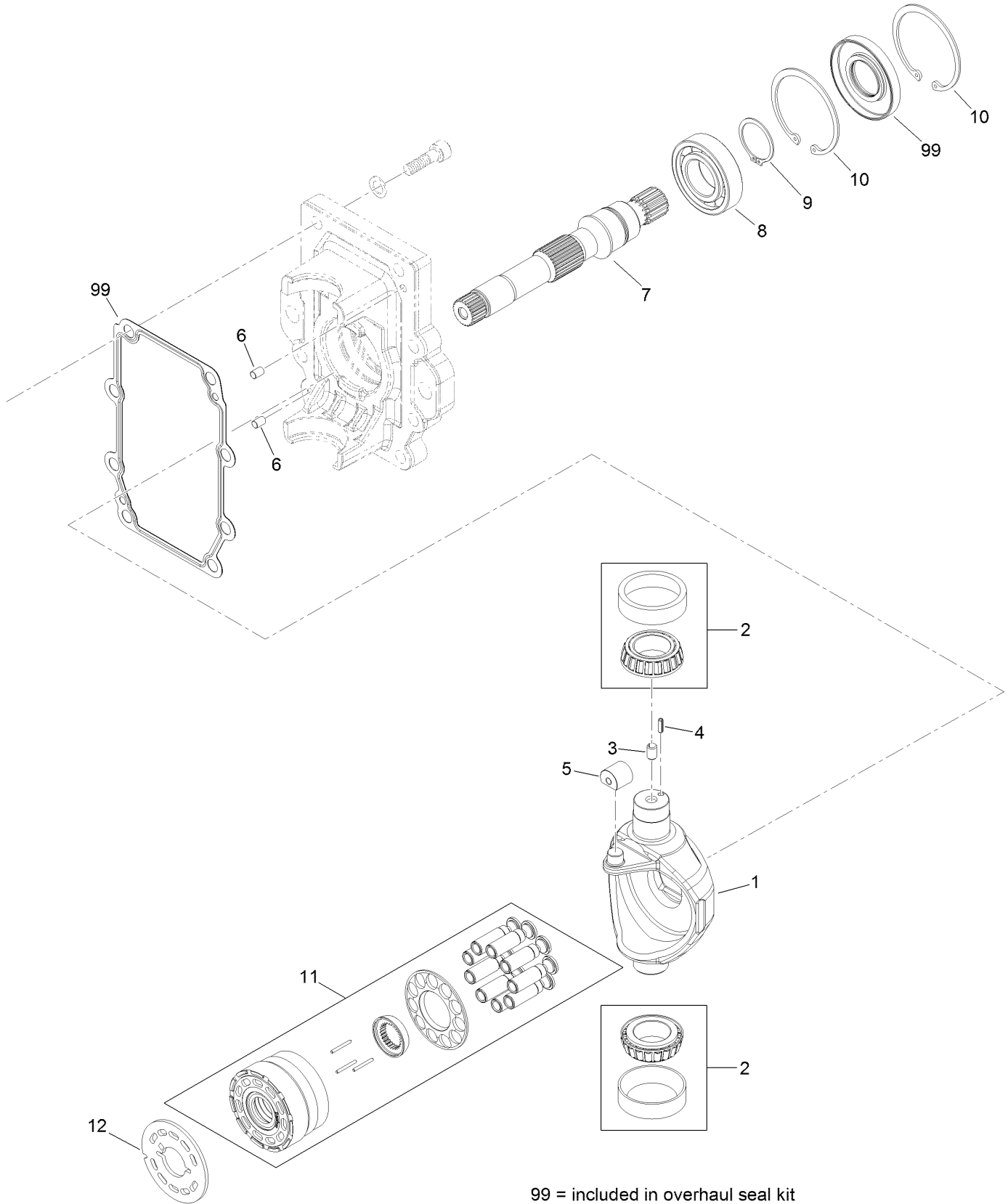
Tandem Hydraulic Pump Assembly No. 132-8497



Tandem Hydraulic Pump Assembly No. 132-8497 (continued)

| <i>Ref.</i> | <i>Part Number</i> | <i>Qty.</i> | <i>Description</i> | <i>Ref.</i> | <i>Part Number</i> | <i>Qty.</i> | <i>Description</i> |
|-------------|--------------------|-------------|--------------------|-------------|--------------------|-------------|--------------------|
| 1 | 139-4800 | 1 | Pump-Front | 4 | 139-4803 | 2 | Screw |
| 2 | 139-4801 | 1 | Pump-Rear | 5 | 139-4804 | 2 | Washer |
| 3 | 139-4802 | 1 | O-Ring | | | | |

Front Hydraulic Pump Assembly No. 139-4800

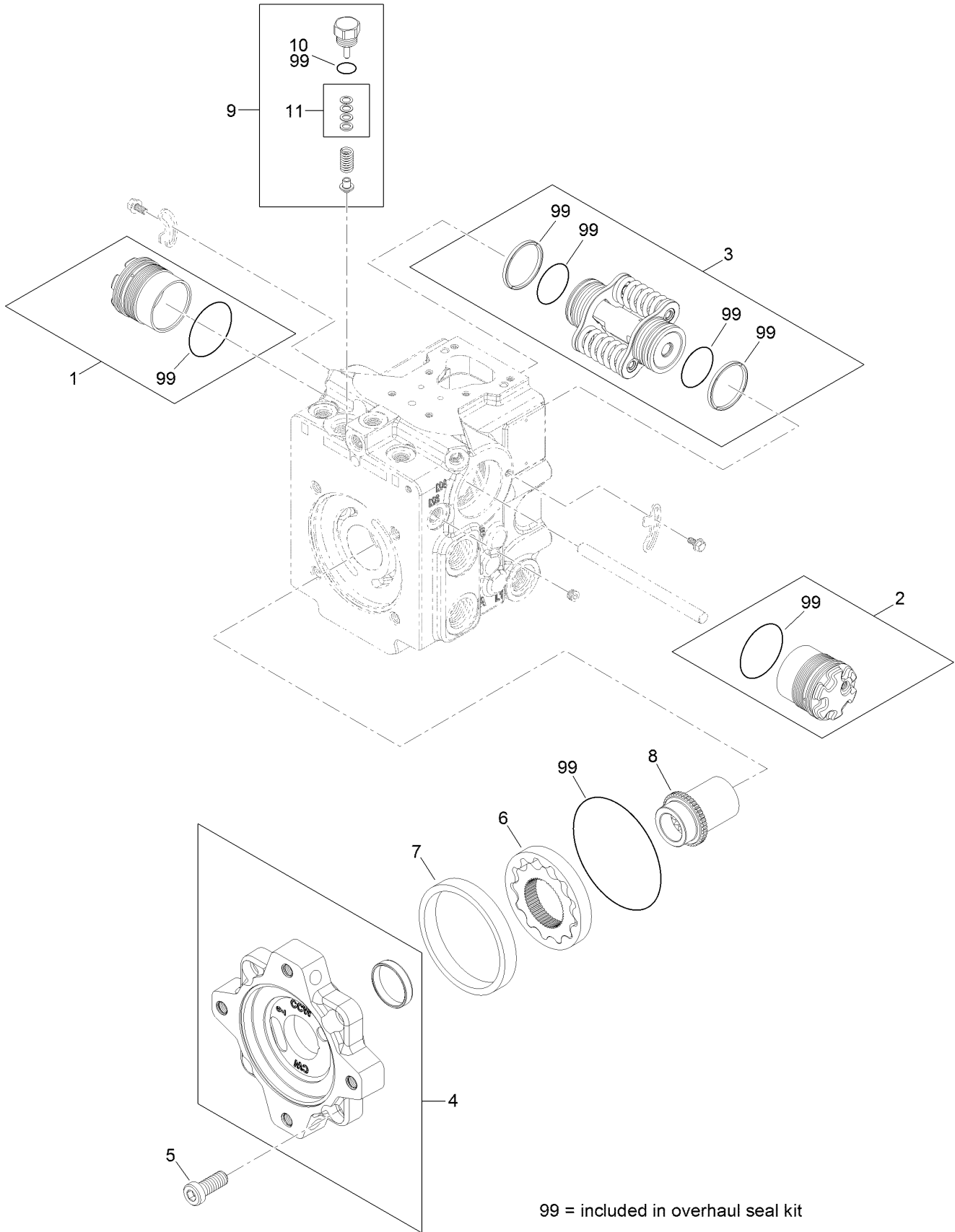


99 = included in overhaul seal kit

Front Hydraulic Pump Assembly No. 139-4800 (continued)

| <i>Ref.</i> | <i>Part Number</i> | <i>Qty.</i> | <i>Description</i> | <i>Ref.</i> | <i>Part Number</i> | <i>Qty.</i> | <i>Description</i> |
|-------------|--------------------|-------------|--------------------|-------------|--------------------|-------------|--------------------|
| 1 | 139-4883 | 1 | Swashplate | 8 | 139-4820 | 1 | Bearing-Ball |
| 2 | 139-4815 | 2 | Bearing-Roller | 9 | 139-4806 | 1 | Ring-Retaining |
| 3 | 139-4817 | 1 | Bushing | 10 | 139-4831 | 2 | Ring-Retaining |
| 4 | 139-4830 | 1 | Pin-Slotted | 11 | 139-4823 | 1 | Cylinder Block Kit |
| 5 | 139-4814 | 1 | Block-Slider | 12 | 139-4813 | 1 | Plate-Valve |
| 6 | 136-1024 | 2 | Pin | 99 | 139-4828 | 1 | Seal Kit |
| 7 | 139-4812 | 1 | Shaft-15 Tooth | | | | |

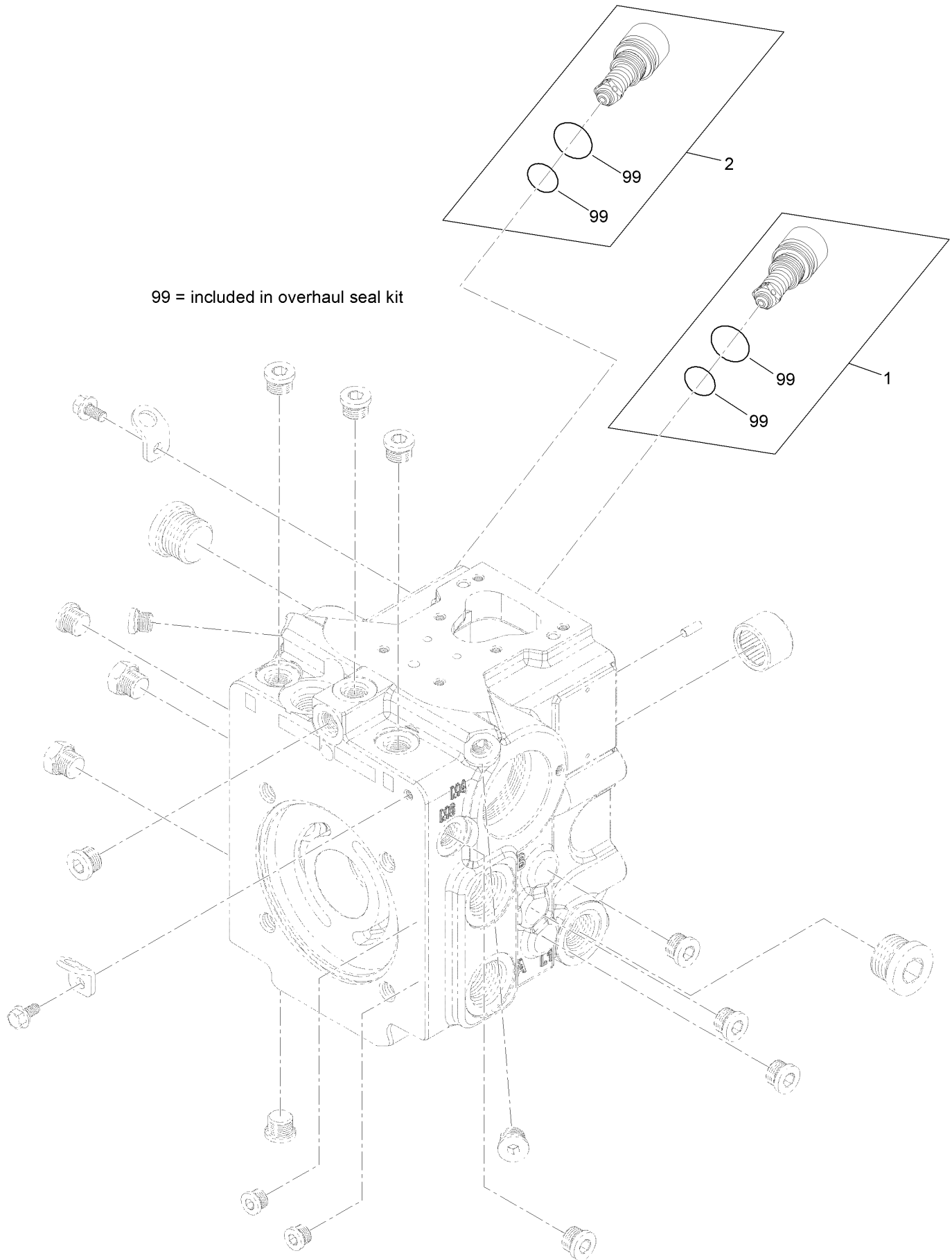
Front Hydraulic Pump Assembly No. 139-4800



Front Hydraulic Pump Assembly No. 139-4800 (continued)

| <i>Ref.</i> | <i>Part Number</i> | <i>Qty.</i> | <i>Description</i> | <i>Ref.</i> | <i>Part Number</i> | <i>Qty.</i> | <i>Description</i> |
|-------------|--------------------|-------------|--------------------|-------------|--------------------|-------------|--------------------|
| 1 | 139-4825 | 1 | Servo Cylinder ASM | 7 | 139-4827 | 1 | Ring-Pump, Charge |
| 2 | 139-4825 | 1 | Servo Cylinder ASM | 8 | 139-4819 | 1 | Coupling |
| 3 | 139-4826 | 1 | Servo Piston ASM | 9 | 136-4397 | 1 | Charge Relief Kit |
| 4 | 139-4829 | 1 | Adapter ASM | 10 | 125-5298 | 1 | O-Ring |
| 5 | 125-5282 | 4 | Screw | 11 | 92-1353 | 1 | Shim Kit |
| 6 | 139-4816 | 1 | Gerotor | 99 | 139-4828 | 1 | Seal Kit |

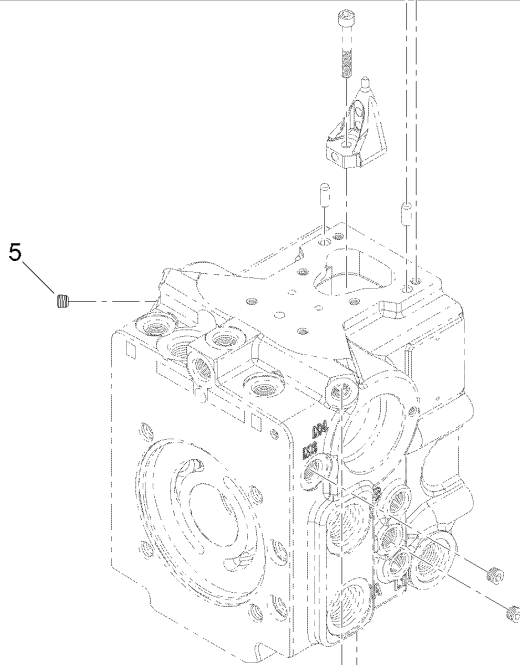
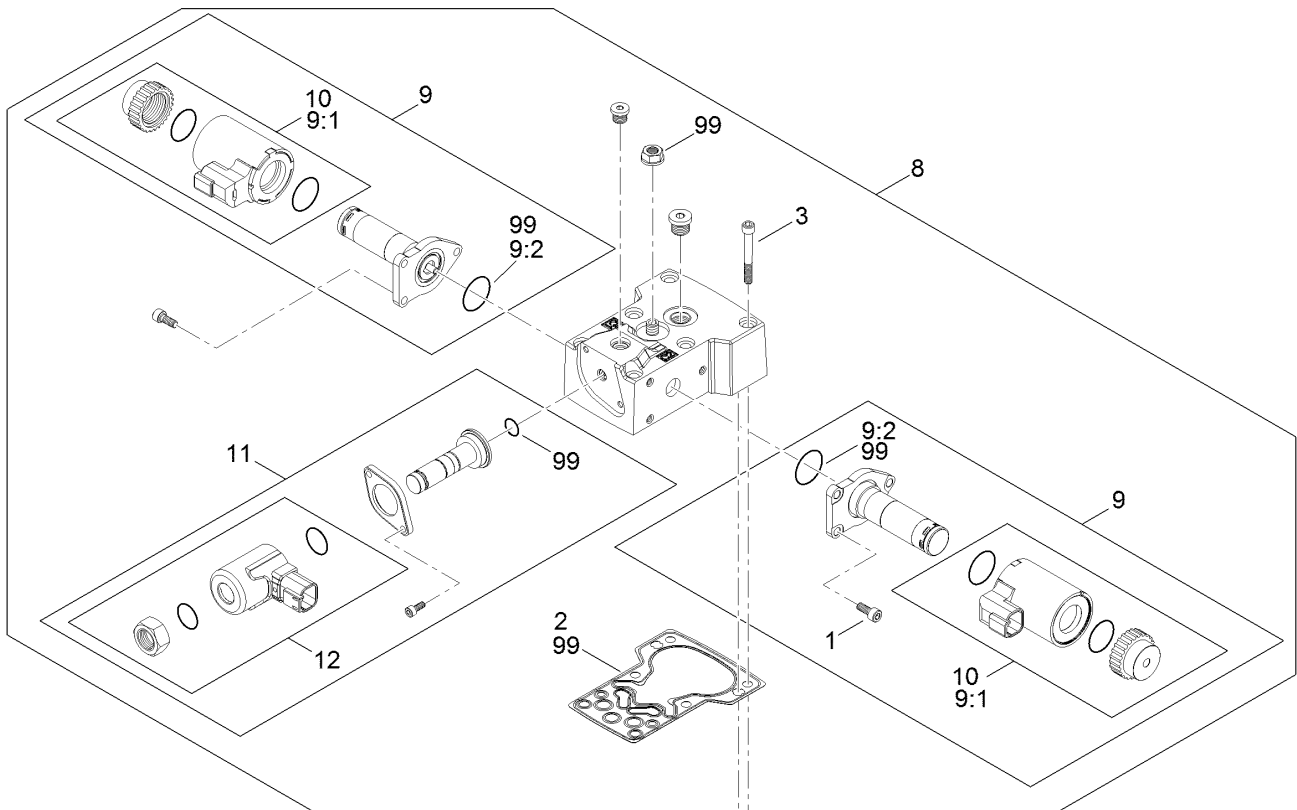
Front Hydraulic Pump Assembly No. 139-4800



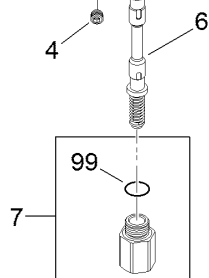
Front Hydraulic Pump Assembly No. 139-4800 (continued)

| <i>Ref.</i> | <i>Part Number</i> | <i>Qty.</i> | <i>Description</i> |
|-------------|--------------------|-------------|-----------------------------|
| 1 | 136-4392 | 1 | Valve-Relief, High Pressure |
| 2 | 136-4392 | 1 | Valve-Relief, High Pressure |
| 99 | 139-4828 | 1 | Seal Kit |

Front Hydraulic Pump Assembly No. 139-4800



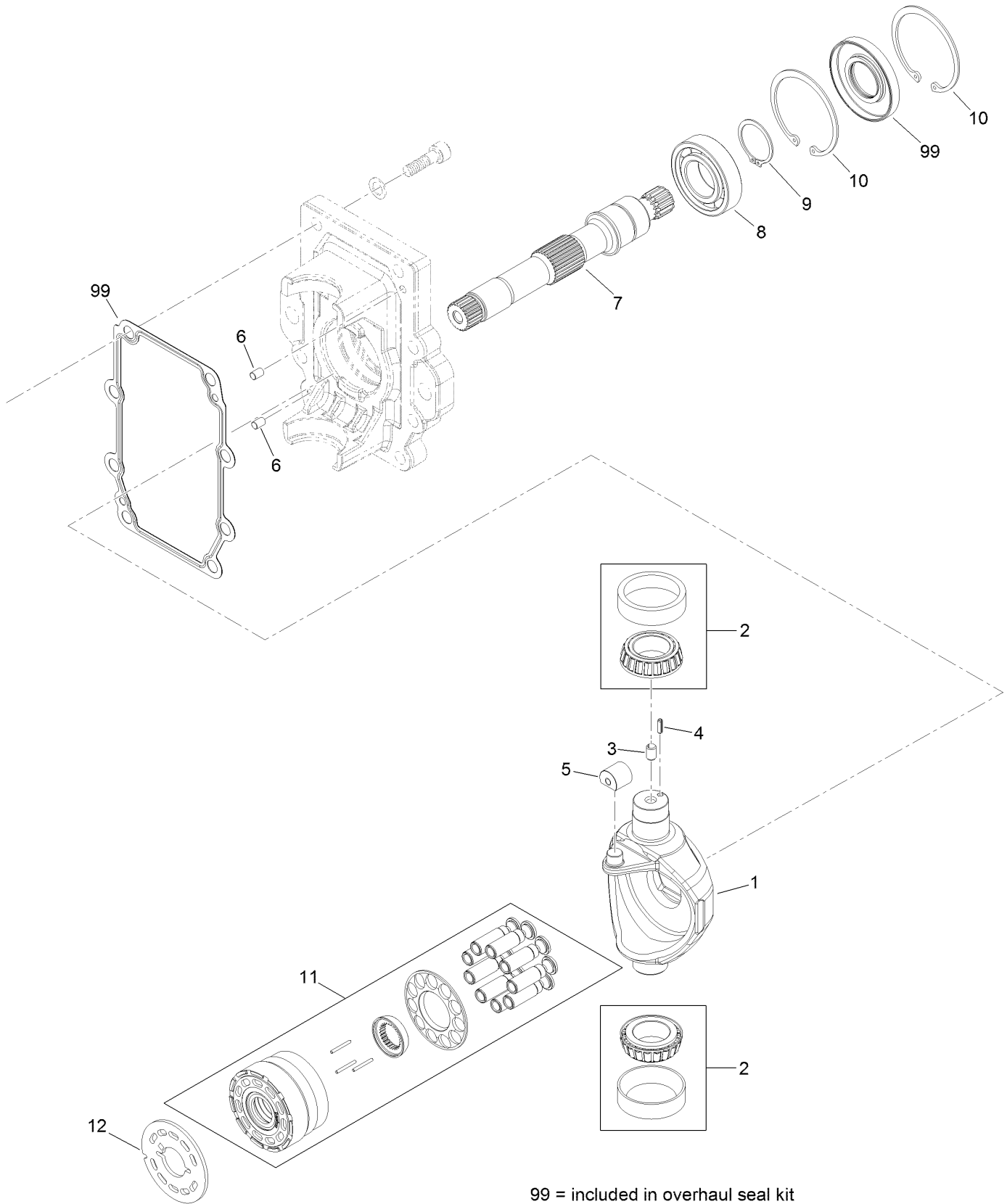
99 = included in overhaul seal kit



Front Hydraulic Pump Assembly No. 139-4800 (continued)

| <i>Ref.</i> | <i>Part Number</i> | <i>Qty.</i> | <i>Description</i> | <i>Ref.</i> | <i>Part Number</i> | <i>Qty.</i> | <i>Description</i> |
|-------------|--------------------|-------------|--------------------|-------------|--------------------|-------------|--------------------|
| 1 | 125-5272 | 6 | Screw | 9 | 131-7636 | 2 | Solenoid Valve ASM |
| 2 | 125-5283 | 1 | Gasket-Control | 9:1 | 125-5294 | 1 | Coil Kit |
| 3 | 125-5274 | 6 | Screw | 9:2 | 125-5288 | 1 | O-Ring |
| 4 | 139-4824 | 1 | Orifice | 10 | 125-5294 | 2 | Coil Kit |
| 5 | 139-4824 | 1 | Orifice | 11 | 139-4808 | 1 | Valve-Solenoid |
| 6 | 139-4807 | 1 | Spool ASM | 12 | 139-4809 | 1 | Coil Kit |
| 7 | 139-4805 | 1 | Plug ASM | 99 | 139-4828 | 1 | Seal Kit |
| 8 | 139-4810 | 1 | E D C Kit | | | | |

Rear Hydraulic Pump Assembly No. 139-4801

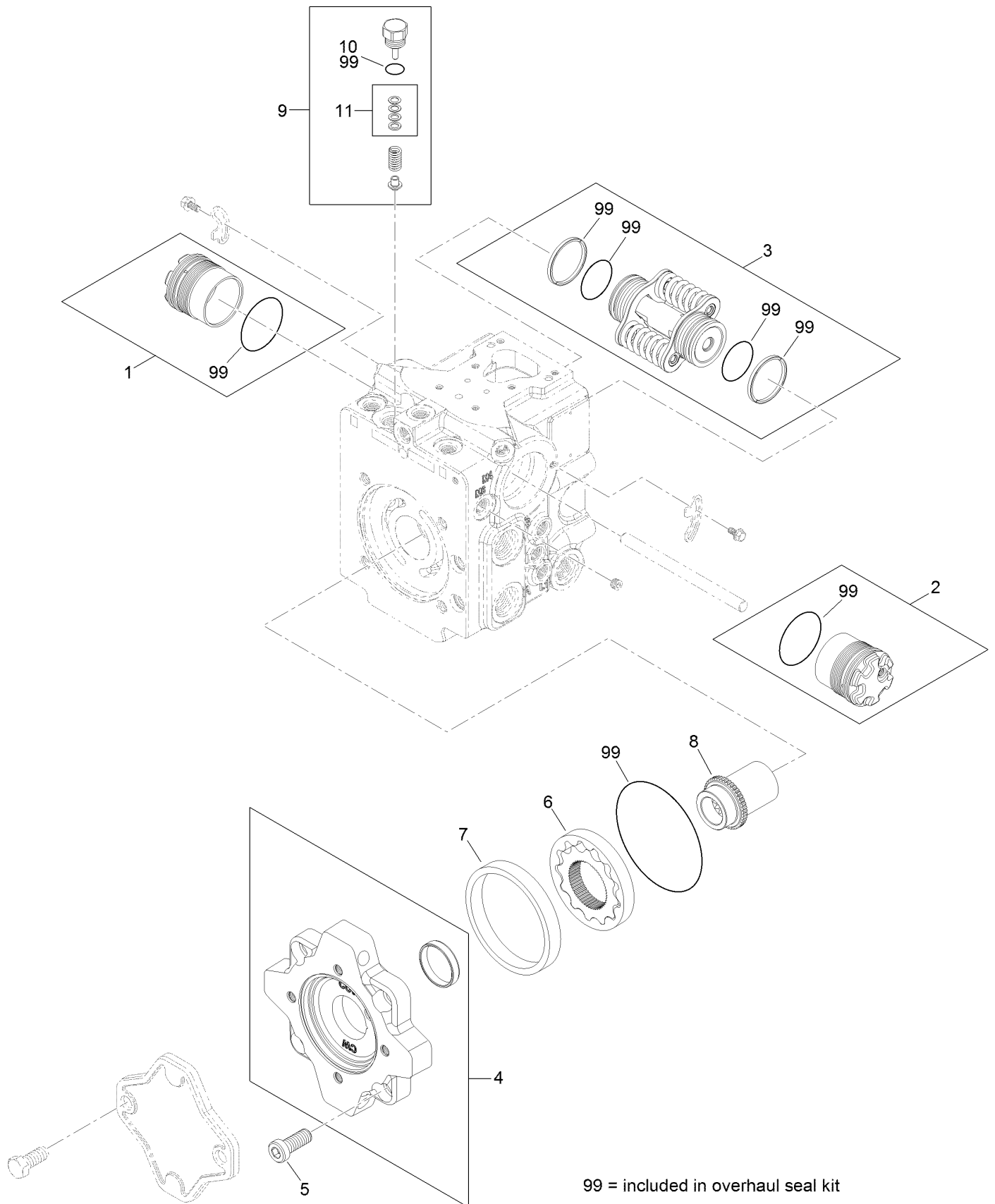


99 = included in overhaul seal kit

Rear Hydraulic Pump Assembly No. 139-4801 (continued)

| <i>Ref.</i> | <i>Part Number</i> | <i>Qty.</i> | <i>Description</i> | <i>Ref.</i> | <i>Part Number</i> | <i>Qty.</i> | <i>Description</i> |
|-------------|--------------------|-------------|--------------------|-------------|--------------------|-------------|--------------------|
| 1 | 139-4883 | 1 | Swashplate | 8 | 139-4820 | 1 | Bearing-Ball |
| 2 | 139-4815 | 2 | Bearing-Roller | 9 | 139-4806 | 1 | Ring-Retaining |
| 3 | 139-4817 | 1 | Bushing | 10 | 139-4831 | 2 | Ring-Retaining |
| 4 | 139-4830 | 1 | Pin-Slotted | 11 | 139-4823 | 1 | Cylinder Block Kit |
| 5 | 139-4814 | 1 | Block-Slider | 12 | 139-4813 | 1 | Plate-Valve |
| 6 | 136-1024 | 2 | Pin | 99 | 139-4828 | 1 | Seal Kit |
| 7 | 139-4811 | 1 | Shaft-13Tooth | | | | |

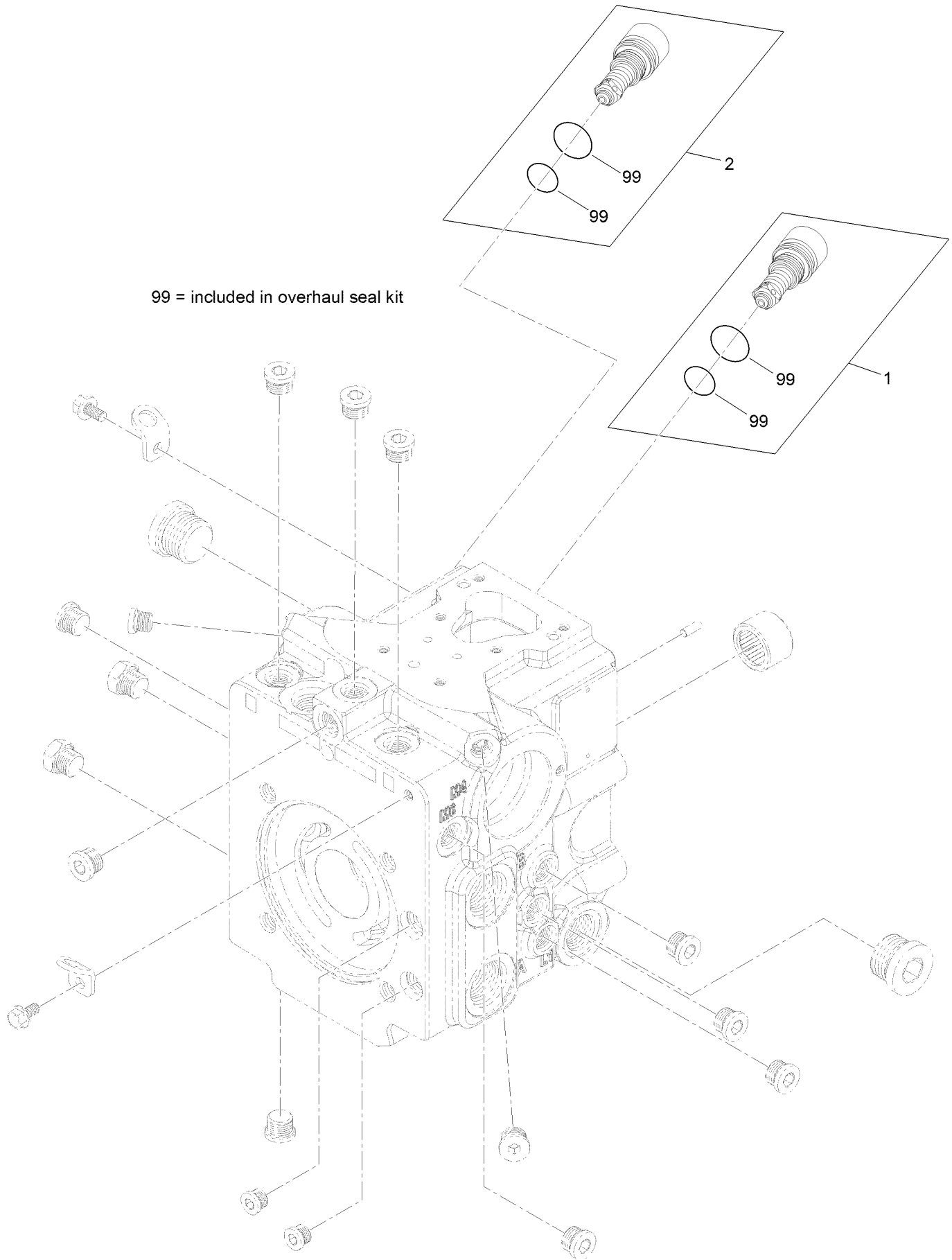
Rear Hydraulic Pump Assembly No. 139-4801



Rear Hydraulic Pump Assembly No. 139-4801 (continued)

| <i>Ref.</i> | <i>Part Number</i> | <i>Qty.</i> | <i>Description</i> | <i>Ref.</i> | <i>Part Number</i> | <i>Qty.</i> | <i>Description</i> |
|-------------|--------------------|-------------|--------------------|-------------|--------------------|-------------|--------------------|
| 1 | 139-4825 | 1 | Servo Cylinder ASM | 7 | 139-4827 | 1 | Ring-Pump, Charge |
| 2 | 139-4825 | 1 | Servo Cylinder ASM | 8 | 139-4818 | 1 | Coupling |
| 3 | 139-4826 | 1 | Servo Piston ASM | 9 | 136-4397 | 1 | Charge Relief Kit |
| 4 | 139-4822 | 1 | Adapter ASM | 10 | 125-5298 | 1 | O-Ring |
| 5 | 125-5282 | 4 | Screw | 11 | 92-1353 | 1 | Shim Kit |
| 6 | 139-4816 | 1 | Gerotor | 99 | 139-4828 | 1 | Seal Kit |

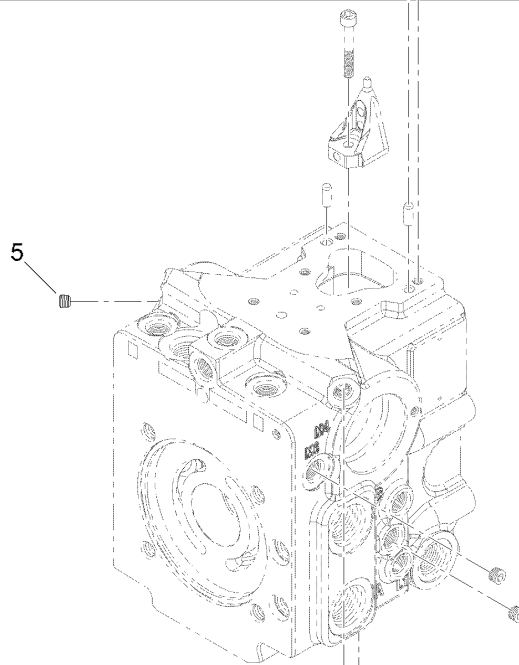
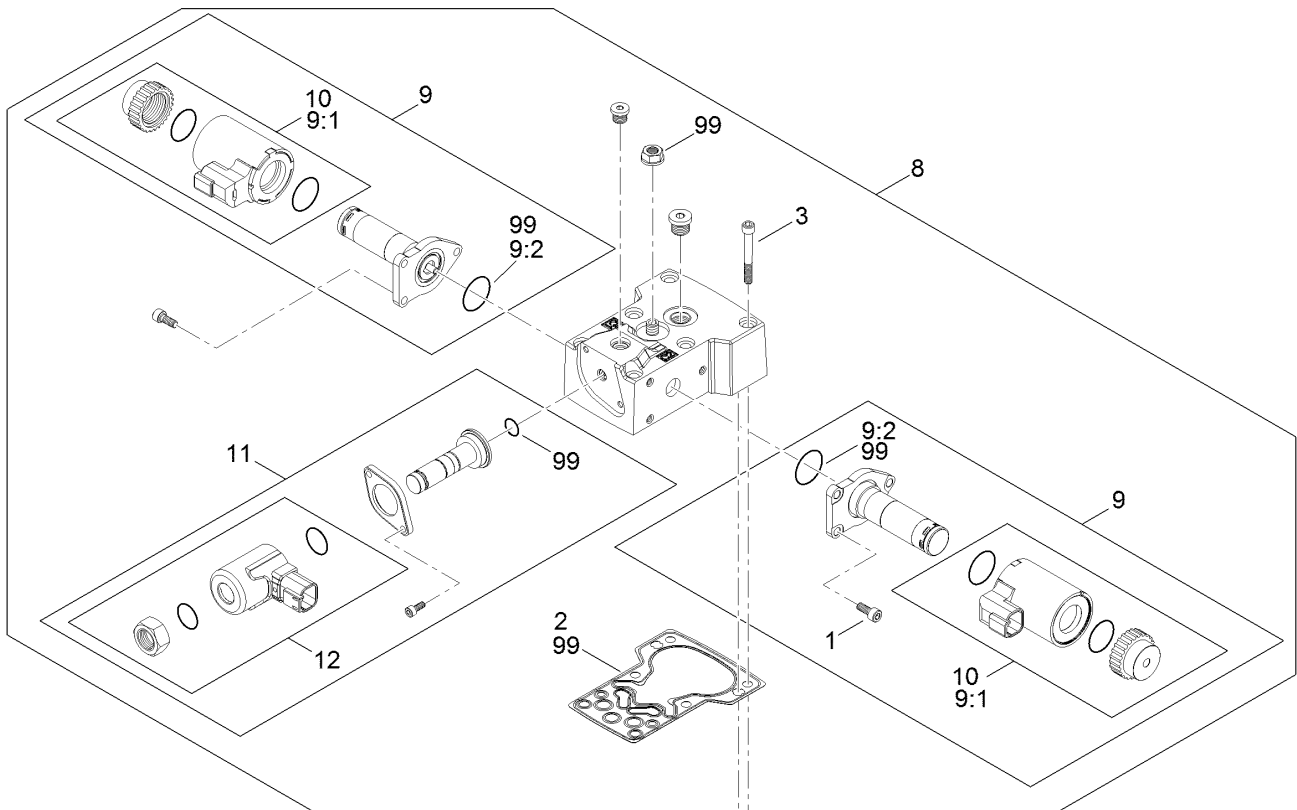
Rear Hydraulic Pump Assembly No. 139-4801



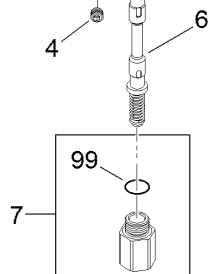
Rear Hydraulic Pump Assembly No. 139-4801 (continued)

| <i>Ref.</i> | <i>Part Number</i> | <i>Qty.</i> | <i>Description</i> |
|-------------|--------------------|-------------|-----------------------------|
| 1 | 136-4392 | 1 | Valve-Relief, High Pressure |
| 2 | 136-4392 | 1 | Valve-Relief, High Pressure |
| 99 | 139-4828 | 1 | Seal Kit |

Rear Hydraulic Pump Assembly No. 139-4801



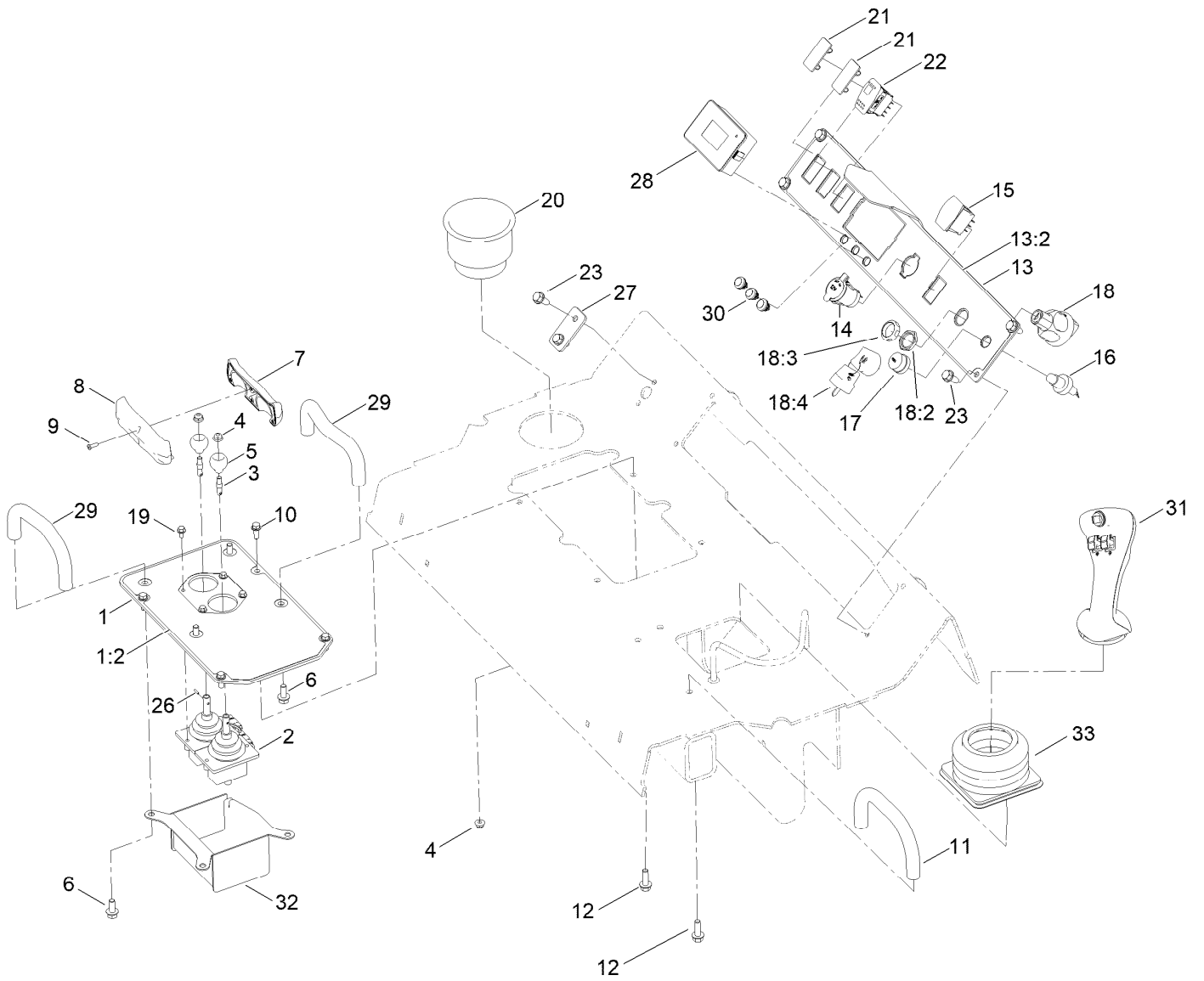
99 = included in overhaul seal kit



Rear Hydraulic Pump Assembly No. 139-4801 (continued)

| <i>Ref.</i> | <i>Part Number</i> | <i>Qty.</i> | <i>Description</i> | <i>Ref.</i> | <i>Part Number</i> | <i>Qty.</i> | <i>Description</i> |
|-------------|--------------------|-------------|--------------------|-------------|--------------------|-------------|--------------------|
| 1 | 125-5272 | 6 | Screw | 9 | 131-7636 | 2 | Solenoid Valve ASM |
| 2 | 125-5283 | 1 | Gasket-Control | 9:1 | 125-5294 | 1 | Coil Kit |
| 3 | 125-5274 | 6 | Screw | 9:2 | 125-5288 | 1 | O-Ring |
| 4 | 139-4824 | 1 | Orifice | 10 | 125-5294 | 2 | Coil Kit |
| 5 | 139-4824 | 1 | Orifice | 11 | 139-4808 | 1 | Valve-Solenoid |
| 6 | 139-4807 | 1 | Spool ASM | 12 | 139-4809 | 1 | Coil Kit |
| 7 | 139-4805 | 1 | Plug ASM | 99 | 139-4828 | 1 | Seal Kit |
| 8 | 139-4810 | 1 | E D C Kit | | | | |

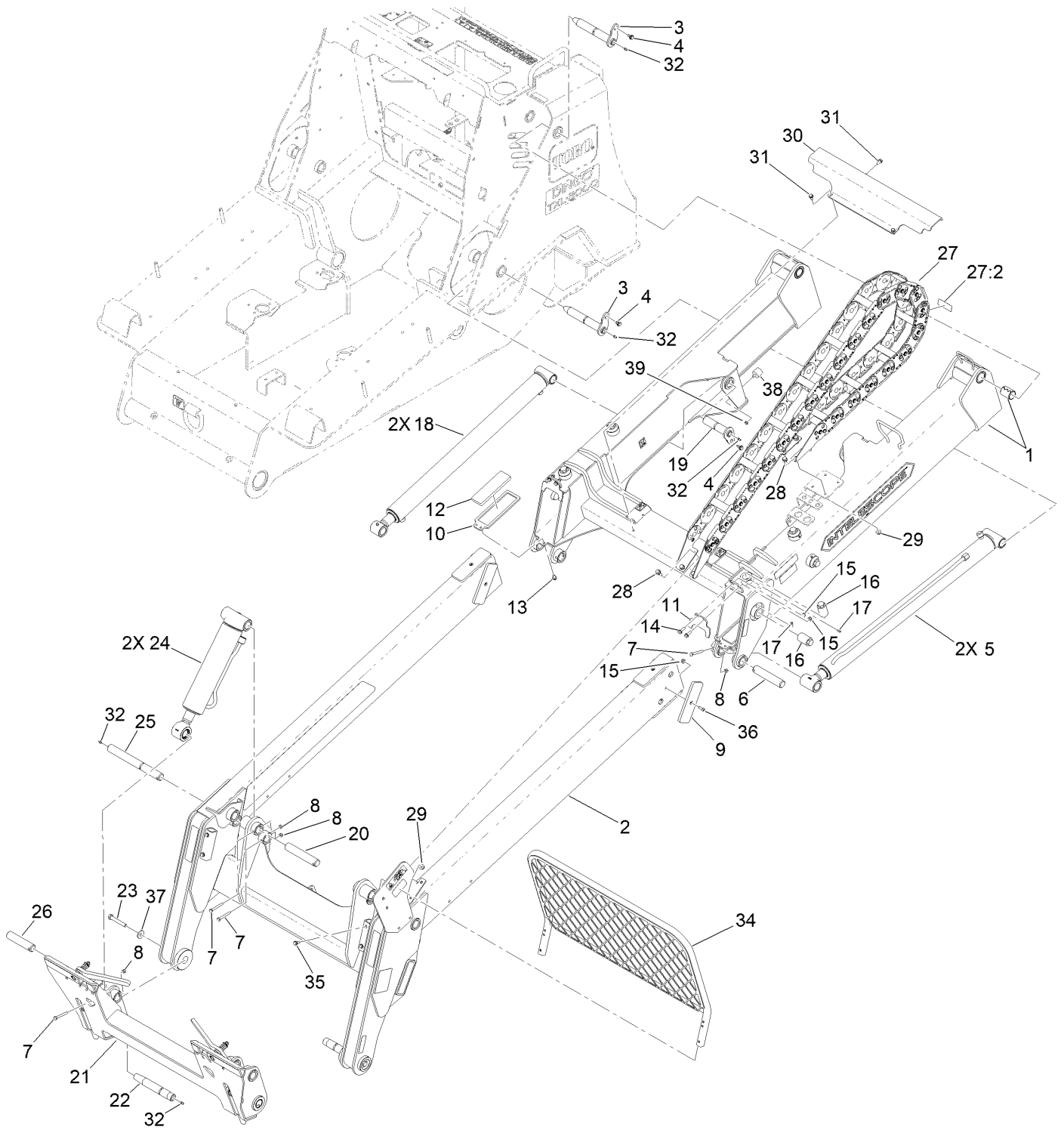
Control Console Assembly



Control Console Assembly (continued)

| <i>Ref.</i> | <i>Part Number</i> | <i>Qty.</i> | <i>Description</i> | <i>Ref.</i> | <i>Part Number</i> | <i>Qty.</i> | <i>Description</i> |
|-------------|--------------------|-------------|---------------------------------|-------------|--------------------|-------------|--------------------------------|
| 1 | 138-4729 | 1 | Plate-Controls, Traction | 17 | 112-3313 | 1 | Nut-Weatherproof |
| 1:2 | 137-5420 | 1 | Decal-Traction | 18 | 121-5159 | 1 | Switch-Ignition |
| 2 | 136-4784 | 2 | Lever-Control | 18:2 | 121-5160 | 1 | Nut-Hex |
| 3 | 137-0431 | 2 | Shaft-Handle | 18:3 | 121-5161 | 1 | Nut-Face |
| 4 | 104-7201 | 6 | Nut-HF, NI | 18:4 | 121-5162 | 1 | Set-Key, Ignition |
| 5 | 130-7723 | 2 | Ball-Traction | 19 | 120-4579 | 4 | Screw-HHF |
| 6 | 3234-5 | 4 | Screw-HHF | 20 | AU8EO24121 | 1 | Cup-Holder |
| 7 | 139-1166 | 1 | Handle-Front | 21 | 99-7420 | 2 | Plug-Hole |
| 8 | 139-1167 | 1 | Handle-Rear | 22 | 100-8072 | 1 | Switch-Rocker, On-None-(On) |
| 9 | 94-6961 | 4 | Screw | 23 | 32104-32 | 6 | Screw-HWH |
| 10 | 115-5103 | 4 | Screw-HHF | 26 | 137-0432 | 2 | Pin-Roll |
| 11 | 112-2620 | 1 | Bar-Reference | 27 | 137-0439-01 | 1 | Plate-Blank |
| 12 | 3234-17 | 2 | Screw-HHF | 28 | 122-1201 | 1 | Module-Display |
| 13 | 139-5745 | 1 | Plate-Controls, Main | 29 | 138-4693 | 2 | Bar-Reference |
| 13:2 | 139-5744 | 1 | Decal-Controls | 30 | 136-9678 | 3 | Switch-Pushbutton |
| 14 | 126-6499 | 1 | Port-Power, 12V | 31 | 139-4853 | 1 | Handle-Joystick, |
| 15 | 100-1535 | 1 | Switch-Rocker, (On)-Off-(On) | 32 | 138-2294-03 | 1 | Cover-Valve [black] |
| 16 | 112-3324 | 1 | Switch-Horn | 33 | 140-1662 | 1 | Boot |

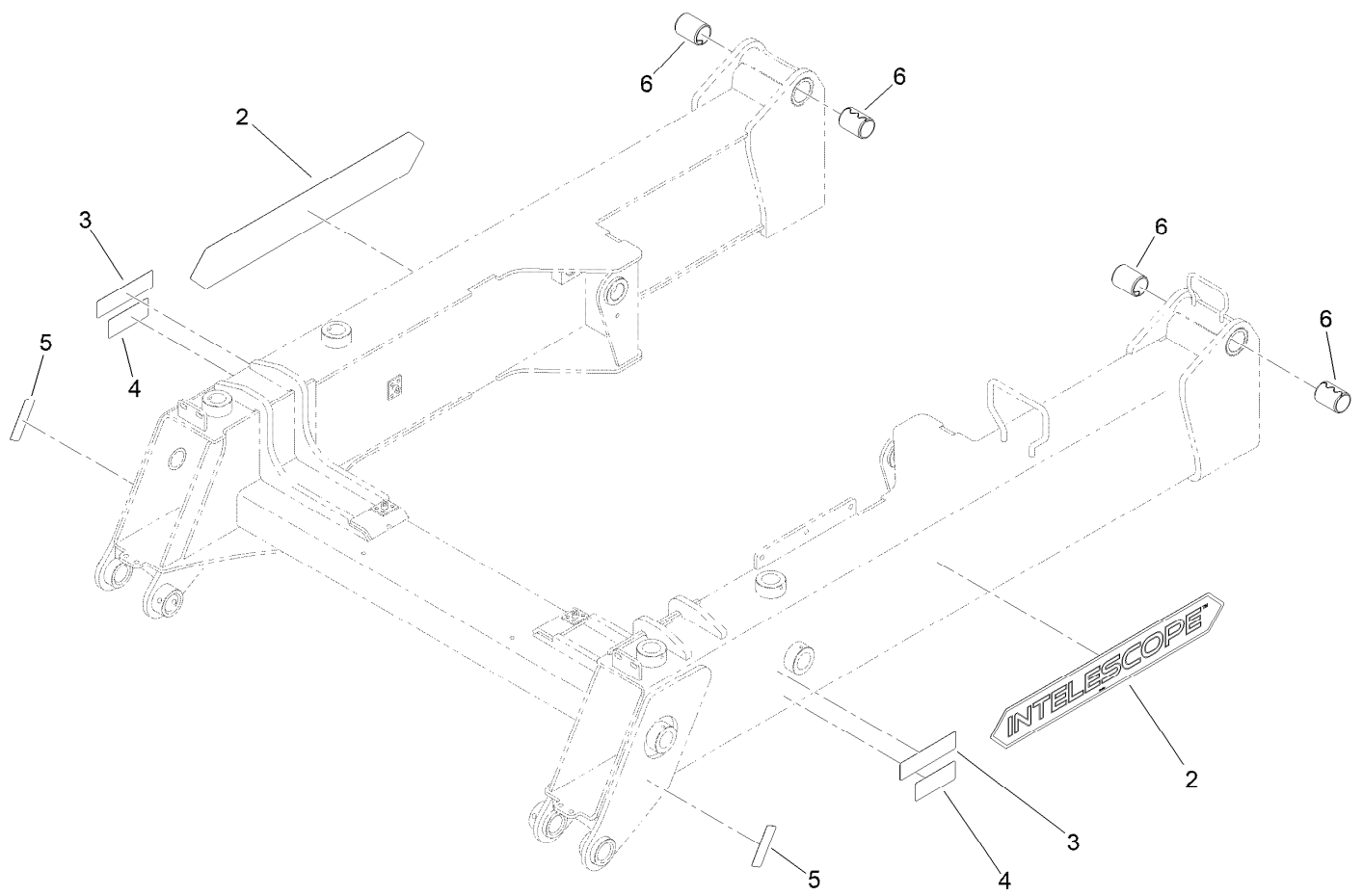
Loader Arm Assembly



Loader Arm Assembly (continued)

| <i>Ref.</i> | <i>Part Number</i> | <i>Qty.</i> | <i>Description</i> | <i>Ref.</i> | <i>Part Number</i> | <i>Qty.</i> | <i>Description</i> |
|-------------|--------------------|-------------|-------------------------|-------------|--------------------|-------------|--------------------|
| 1 | 138-4730 | 1 | Upper Loader Arm ASM | 21 | 132-8468 | 1 | Qtach ASM |
| 2 | 138-4731 | 1 | Lower Loader Arm ASM | 22 | 139-5731 | 2 | Pin-Link, Taper |
| 3 | 137-0132 | 4 | Pivot Pin ASM | 23 | 112-7264 | 2 | Screw-HH |
| 4 | 99-5105 | 6 | Screw-Shoulder | 24 | 139-5717 | 2 | CYL-HYD |
| 5 | 139-5718 | 2 | CYL-HYD | 25 | 132-8445 | 2 | Pin-Link |
| 6 | 139-7121 | 2 | Pin-Link | 26 | 139-5739 | 2 | Pin-Link |
| 7 | 322-12 | 8 | Screw-HH | 27 | 138-4733 | 1 | Carrier-Hose |
| 8 | 3296-29 | 8 | Nut-Lock, NI | 27:2 | 120-0625 | 1 | Decal-Warning |
| 9 | 137-5443 | 8 | Strip-Slide, Snap | 28 | 3234-11 | 8 | Screw-HHF |
| 10 | 137-0096-03 | 2 | Retainer-Pad | 29 | 104-8301 | 8 | Nut-HF, NI |
| 11 | 132-1681-03 | 2 | Retainer-Wear,Pad,Left | 30 | 137-0137-03 | 1 | Plate-Guard |
| 12 | 132-8480 | 2 | Strip-Slide,Lower | 31 | 32104-32 | 4 | Screw-HWH |
| 13 | 32144-14 | 4 | Screw-HWHTF | 32 | 302-5 | 10 | Fitting-Grease |
| 14 | 3234-29 | 4 | Screw-HHF | 34 | 139-1195-03 | 1 | Screen-Debris |
| 15 | 104-8300 | 12 | Nut-HF, NI | 35 | 3234-5 | 4 | Screw-HHF |
| 16 | 132-8479 | 8 | Screw-Slide, Adjustment | 36 | 3274-32 | 8 | Screw-HSBH |
| 17 | 126-3824 | 8 | Screw-Set, SQH | 37 | 110-6147 | 2 | Washer-Flat |
| 18 | 139-5719 | 2 | CYL-HYD | 38 | 137-4803 | 2 | Bumper-Rubber |
| 19 | 137-0134 | 2 | Flag Pin ASM | 39 | 3296-47 | 2 | Nut-Lock,NI |
| 20 | 132-8429 | 2 | Pin-Link | | | | |

Upper Loader Arm Assembly No. 138-4730

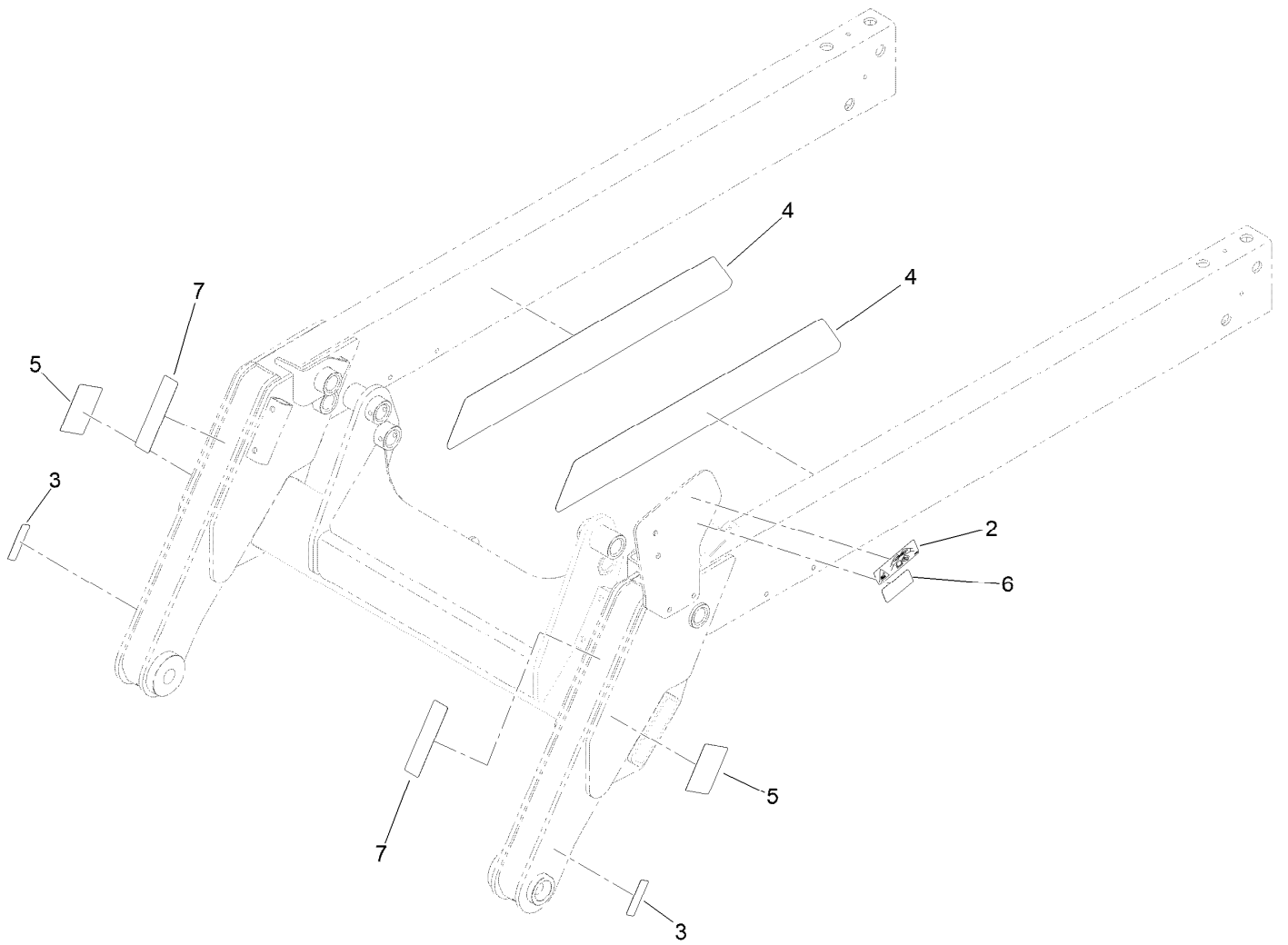


Upper Loader Arm Assembly No. 138-4730 (continued)

| <i>Ref.</i> | <i>Part Number</i> | <i>Qty.</i> | <i>Description</i> |
|-------------|--------------------|-------------|--------------------|
| 2 | 139-5711 | 2 | Decal-Intelescope |
| 3 | 139-1158 | 2 | Decal-Warning |
| 4 | 139-1159 | 2 | Decal-Warning |

| <i>Ref.</i> | <i>Part Number</i> | <i>Qty.</i> | <i>Description</i> |
|-------------|--------------------|-------------|--------------------|
| 5 | 120-0625 | 2 | Decal-Warning |
| 6 | 137-0126 | 4 | Bushing-Spring |

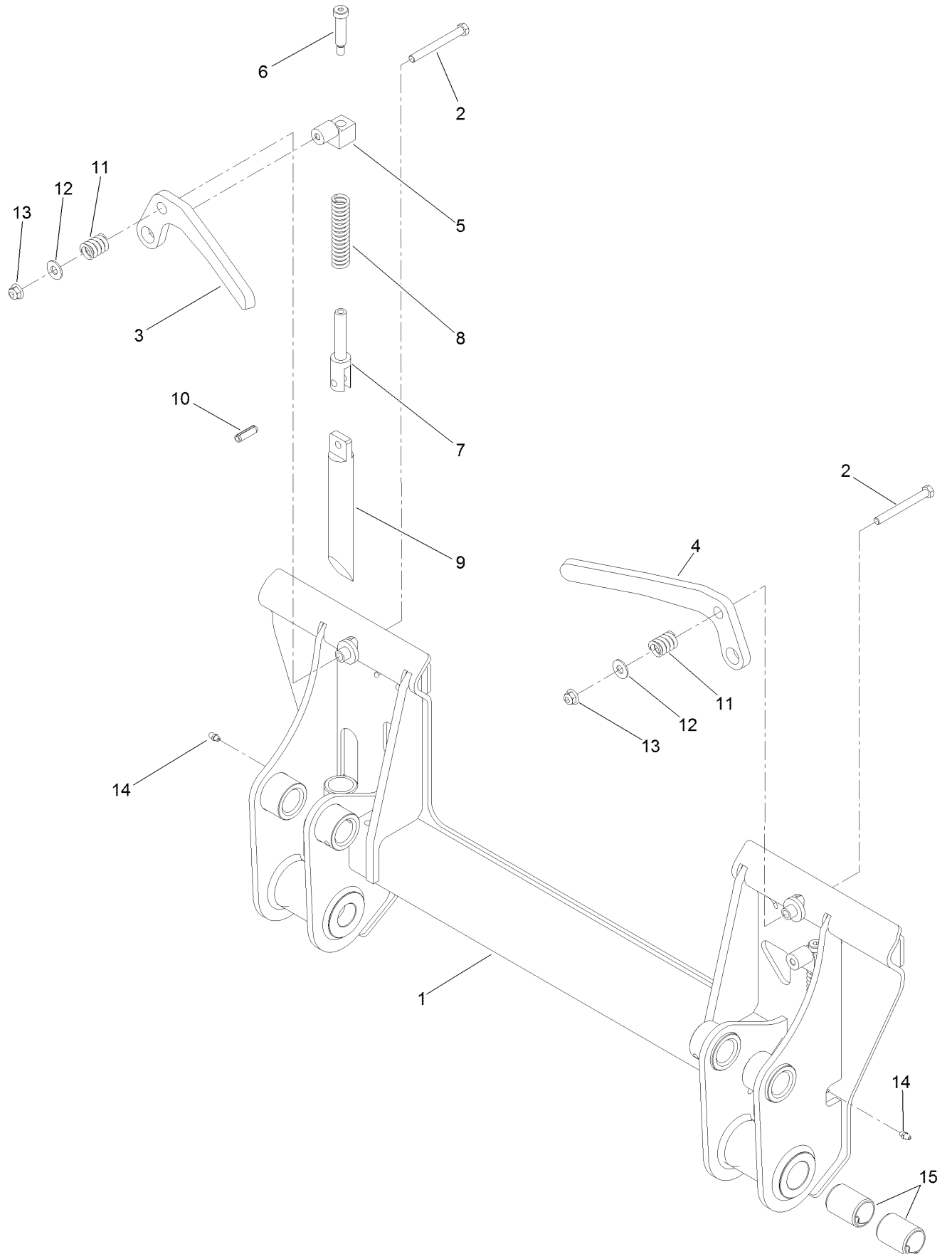
Lower Loader Arm Assembly No. 138-4731



Lower Loader Arm Assembly No. 138-4731 (continued)

| <i>Ref.</i> | <i>Part Number</i> | <i>Qty.</i> | <i>Description</i> | <i>Ref.</i> | <i>Part Number</i> | <i>Qty.</i> | <i>Description</i> |
|-------------|--------------------|-------------|--------------------|-------------|--------------------|-------------|--------------------|
| 2 | 115-4855 | 1 | Decal-Caution | 5 | 139-1164 | 2 | Decal-Warning |
| 3 | 120-0625 | 2 | Decal-Warning | 6 | 139-1173 | 1 | Decal-Warning |
| 4 | 137-5409 | 2 | Decal-Extension | 7 | 131-9290 | 2 | Tape-Reflective |

Qtach Assembly No. 132-8468

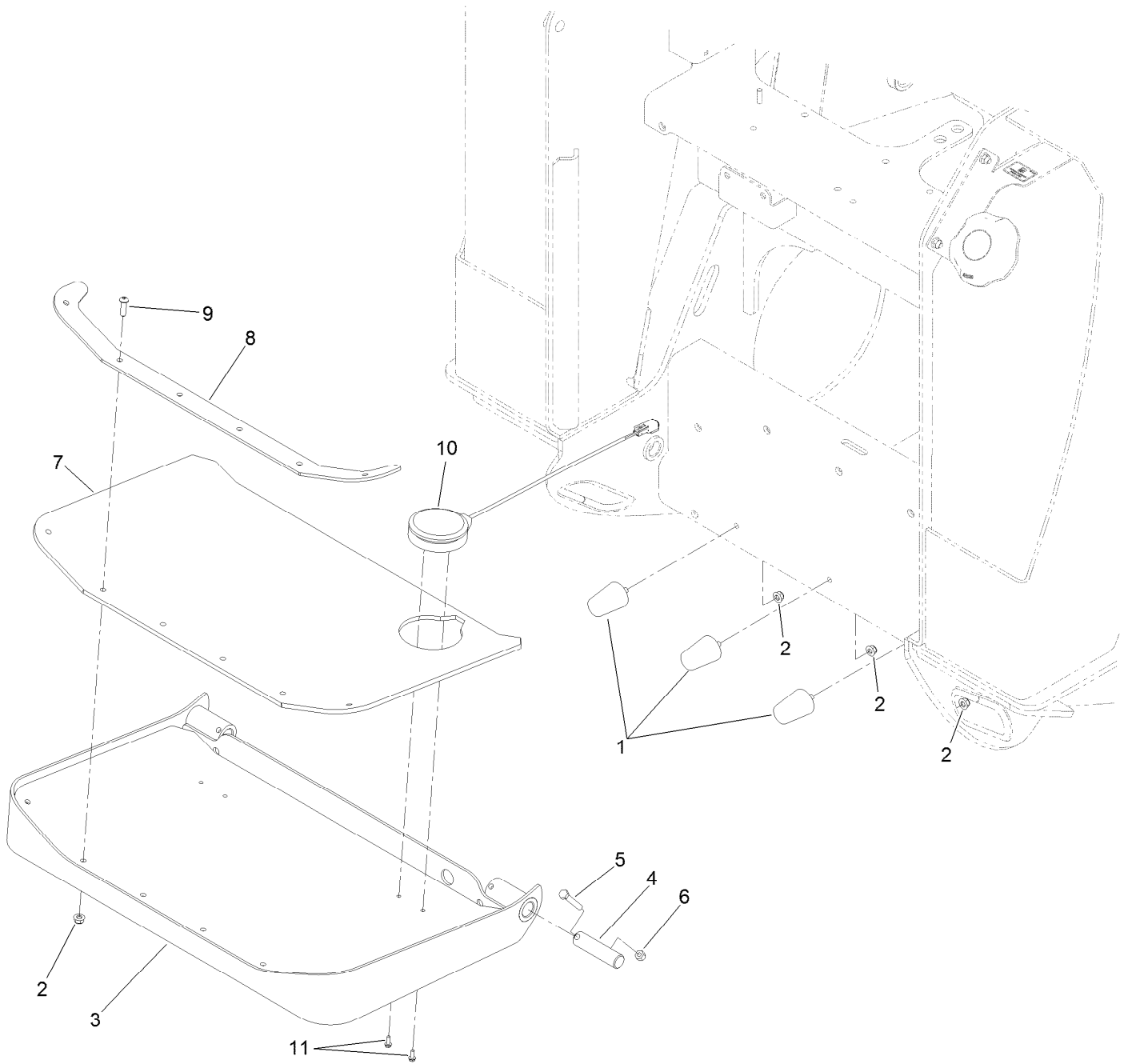


Qtach Assembly No. 132-8468 (continued)

| <i>Ref.</i> | <i>Part Number</i> | <i>Qty.</i> | <i>Description</i> |
|-------------|--------------------|-------------|--------------------|
| 1 | 132-8459-03 | 1 | Mount-Qtach |
| 2 | 323-15 | 2 | Screw-HH |
| 3 | 132-8460-03 | 1 | Handle-Left |
| 4 | 132-8461-03 | 1 | Handle-Right |
| 5 | 133-9419 | 2 | Block-Stop |
| 6 | 1-809062 | 2 | Screw |
| 7 | 132-8462 | 2 | Link-Handle |
| 8 | 1-633454 | 2 | Spring-Brake |

| <i>Ref.</i> | <i>Part Number</i> | <i>Qty.</i> | <i>Description</i> |
|-------------|--------------------|-------------|--------------------|
| 9 | 132-8467 | 2 | Pin-Qtach |
| 10 | 32121-42 | 2 | Pin-Roll |
| 11 | 95-0772 | 2 | Spring-Compression |
| 12 | 3256-4 | 2 | Washer-Flat |
| 13 | 104-8301 | 2 | Nut-HF, NI |
| 14 | 302-5 | 2 | Fitting-Grease |
| 15 | 137-0126 | 4 | Bushing-Spring |

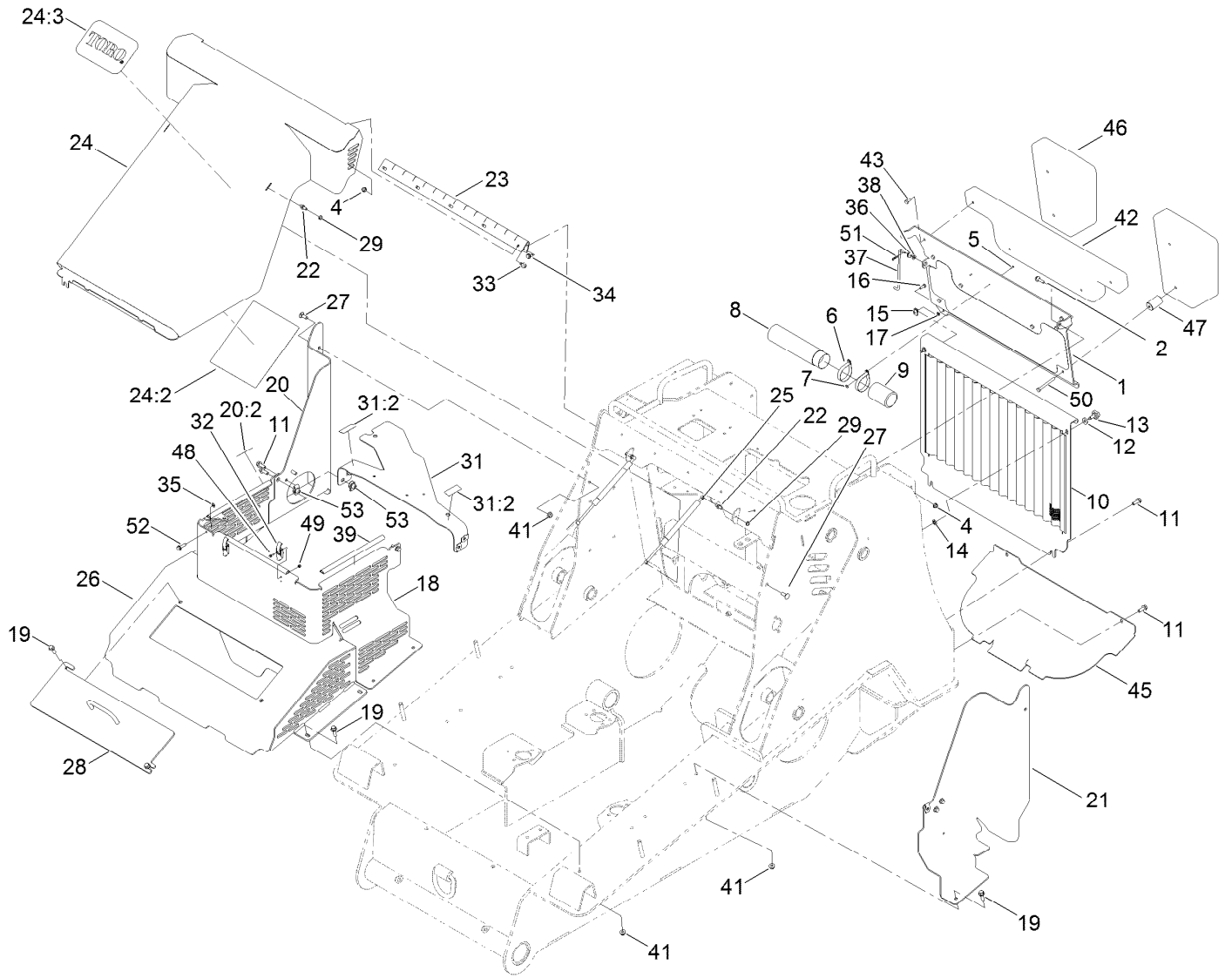
Platform Assembly



Platform Assembly (continued)

| <i>Ref.</i> | <i>Part Number</i> | <i>Qty.</i> | <i>Description</i> | <i>Ref.</i> | <i>Part Number</i> | <i>Qty.</i> | <i>Description</i> |
|-------------|--------------------|-------------|--------------------|-------------|--------------------|-------------|-------------------------|
| 1 | 110-5070 | 3 | Bumper | 7 | 138-4674 | 1 | Pad-Platform |
| 2 | 104-8300 | 9 | Nut-HF, NI | 8 | 138-4677-03 | 1 | Bracket-Clamp, Platform |
| 3 | 138-4672-03 | 1 | Platform | 9 | 109-4872 | 6 | Screw-HSH |
| 4 | 125-3749 | 2 | Pin-Cylinder | 10 | 136-4752 | 1 | Switch-Foot |
| 5 | 322-10 | 2 | Screw-HH | 11 | 32144-1 | 2 | Screw-Taptite |
| 6 | 3296-29 | 2 | Nut-Lock, NI | | | | |

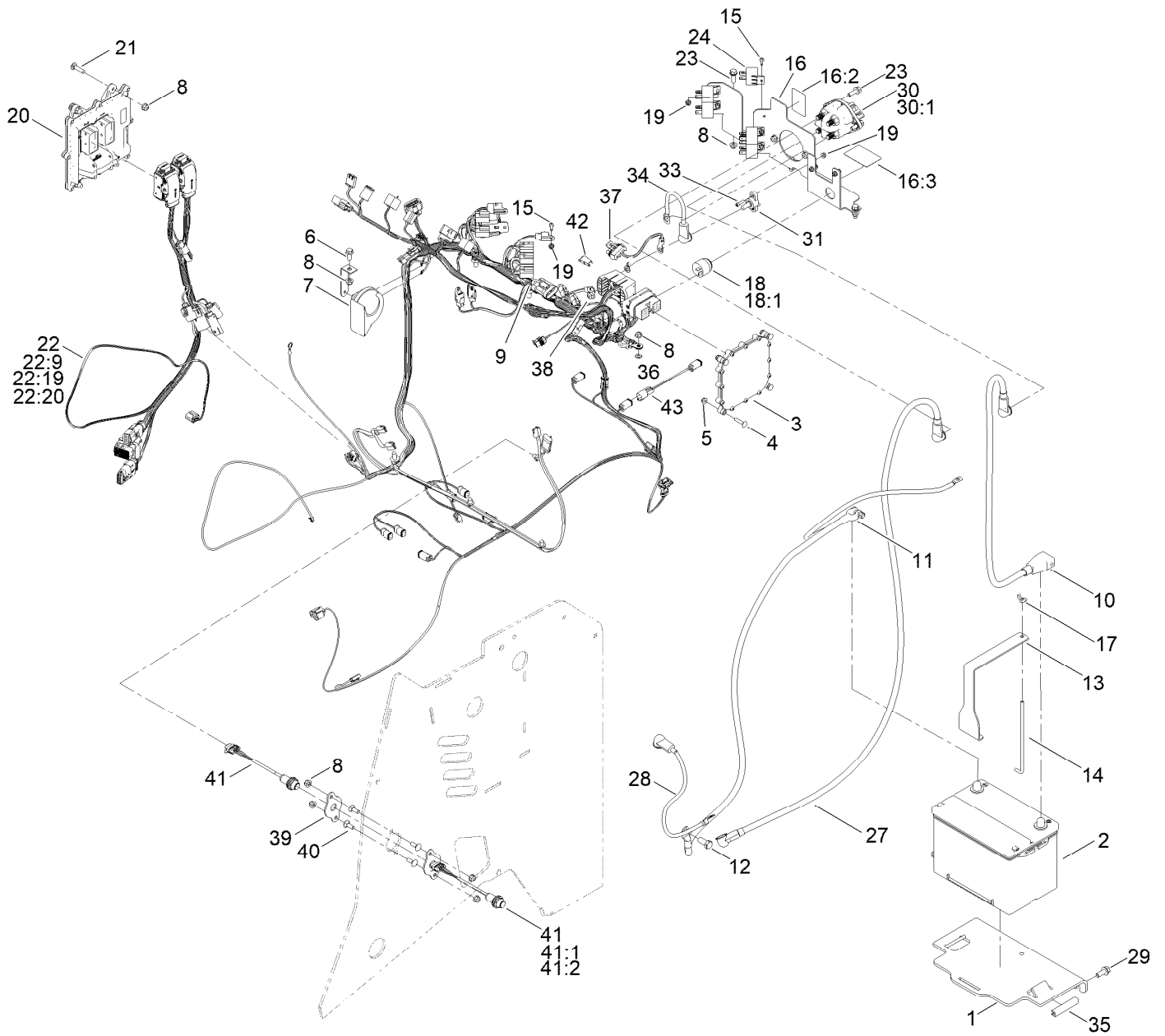
Hood and Access Panel Assembly



Hood and Access Panel Assembly (continued)

| <i>Ref.</i> | <i>Part Number</i> | <i>Qty.</i> | <i>Description</i> | <i>Ref.</i> | <i>Part Number</i> | <i>Qty.</i> | <i>Description</i> |
|-------------|--------------------|-------------|--------------------|-------------|--------------------|-------------|----------------------|
| 1 | 136-4854-03 | 1 | Panel-Rear | 26 | 138-2409-03 | 1 | Front Cover ASM |
| 2 | 108-3744 | 2 | Screw-Shoulder | 27 | 3231-2 | 2 | Bolt-CARR |
| 4 | 104-8300 | 7 | Nut-HF, NI | 28 | 137-0440-03 | 1 | Cover Plate ASM |
| 5 | 3269-17 | 2 | Rivet-Pop | 29 | 3296-47 | 4 | Nut-Lock,NI |
| 6 | 2412-120 | 2 | Clamp-R | 31 | 140-4456 | 1 | Bracket-Air Cleaner |
| 7 | 3269-10 | 2 | Washer-Back | 31:2 | 115-2047 | 2 | Decal-Surface, Hot |
| 8 | 104-7050 | 1 | Tube-Manual | 32 | 105-3912 | 2 | Latch-Draw |
| 9 | 104-7048 | 1 | Cap-Housing | 33 | 3234-5 | 5 | Screw-HHF |
| 10 | 133-9353-03 | 1 | Cover-Rear | 34 | 32104-32 | 5 | Screw-HWH |
| 11 | 3234-11 | 10 | Screw-HHF | 35 | 109-5667 | 1 | Nut-Push |
| 12 | 106-0565 | 2 | Washer-Rubber | 36 | 237-141 | 1 | Grommet-Rubber |
| 13 | 95-9648 | 2 | Knob | 37 | 137-5350 | 1 | Rod-Prop |
| 14 | 107-3154 | 2 | Nut-Push | 38 | 3256-22 | 1 | Washer-Flat |
| 15 | 107069 | 1 | Clip | 39 | 137-0393 | 3 | Liner-Foam |
| 16 | 321-4 | 1 | Screw-HH | 41 | 104-8301 | 12 | Nut-HF, NI |
| 17 | 1-803037 | 1 | Nut-Retaining | 42 | 137-0405 | 1 | Cushion-Pad |
| 18 | 139-7063-03 | 1 | Grill-Panel | 43 | 322-3 | 4 | Screw-HH |
| 19 | 3234-24 | 12 | Screw-HHF | 45 | 132-8485-01 | 1 | Cover-Access, Bottom |
| 20 | 140-4455 | 1 | Cover-Grille, RH | 46 | 137-0536 | 2 | Pad-Rear |
| 20:2 | 115-2047 | 1 | Decal-Surface, Hot | 47 | 138-2318 | 4 | Spacer-Pad |
| 21 | 139-7065-03 | 1 | Panel-Side, LH | 48 | 112-3169 | 4 | Screw-HHF, Serrated |
| 22 | 103-5752 | 4 | Stud-Ball | 49 | 3296-1 | 4 | Nut-Lock |
| 23 | 137-0378 | 1 | Hinge-Piano | 50 | 322-14 | 4 | Screw-HH |
| 24 | 138-4736 | 1 | Hood ASM | 51 | 3290-307 | 1 | Pin-Cotter |
| 24:2 | 137-5419 | 1 | Decal-Service | 52 | 32144-49 | 1 | Screw-HWHTF |
| 24:3 | 92-1242 | 1 | Decal | 53 | 105-4886 | 6 | Nut-Tinnerman |
| 25 | 114-5532 | 2 | Cylinder-Gas | | | | |

Electrical Assembly

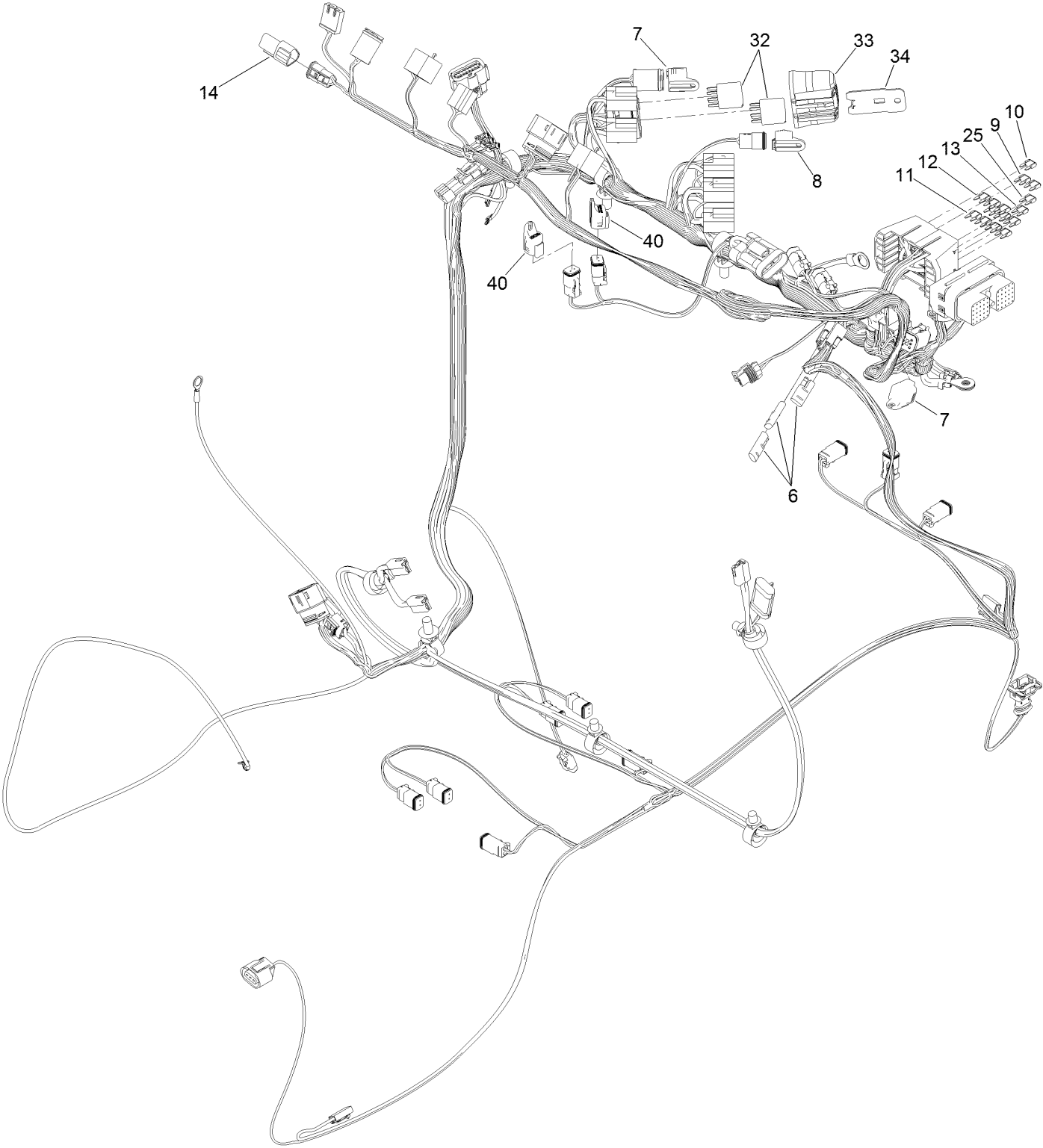


Electrical Assembly (continued)

| <i>Ref.</i> | <i>Part Number</i> | <i>Qty.</i> | <i>Description</i> | <i>Ref.</i> | <i>Part Number</i> | <i>Qty.</i> | <i>Description</i> |
|-------------|--------------------|-------------|----------------------------------|-------------|--------------------|-------------|-----------------------------|
| 1 | 137-0374-03 | 1 | Bracket-Battery | 22 | 136-4753 | 1 | Harness-Engine |
| 2 | 106-5190 | 1 | Battery, 660 CCA W/O Electrolyte | 22:9 | 32180-043 | 1 | Resistor-120 Ohm ● |
| 3 | 127-2770 | 1 | Controller | 22:19 | 32180-101 | 2 | Cover-Fuse, Single ● |
| 4 | 3229-3 | 4 | Screw-CARR | 22:20 | 121-8864 | 2 | Fuse-Mini Blade, 5 Amp ● |
| 5 | 104-7201 | 4 | Nut-HF, NI | 23 | 3234-29 | 5 | Screw-HHF |
| 6 | 3234-47 | 1 | Screw-HHF | 24 | 99-7435 | 6 | Relay |
| 7 | 116749 | 1 | Horn | 27 | 136-4754 | 1 | Cable-Battery, Positive |
| 8 | 104-8300 | 13 | Nut-HF, NI | 28 | 136-4816 | 1 | Cable-Battery, Positive |
| 9 | 133-6871 | 1 | Harness-Wire | 29 | 3234-11 | 3 | Screw-HHF |
| 10 | 136-6090 | 1 | Cable-Battery, Positive | 30 | 122-0603 | 1 | Switch-Disconnect |
| 11 | 136-6091 | 1 | Cable-Battery, Negative | 30:1 | 33006-00 | 1 | Nut-HF |
| 12 | AU514-842 | 1 | Screw-HH | 31 | 110-8822 | 1 | Block-Junction |
| 13 | 133-9422-03 | 1 | Plate-Hold, Battery | 33 | 3274-14 | 2 | Screw-HSH |
| 14 | 130-5220 | 1 | Rod-Hold Down, Battery | 34 | 137-0525 | 1 | Cable-Battery, Positive |
| 15 | 3290-126 | 7 | Screw-HWH | 35 | 70-2041 | 2 | Trim - Edge |
| 16 | 138-4737 | 1 | Bracket-Components, Electrical | 36 | 3255-8 | 1 | Washer-Lock |
| 16:2 | 137-7164 | 1 | Decal-Power, Battery | 37 | 122-0084 | 1 | Harness-Wire, Fusible Link |
| 16:3 | 139-1206 | 1 | Decal-Fuses | 38 | 104-8301 | 1 | Nut-HF, NI |
| 17 | 1-803038 | 1 | Wingnut | 39 | 138-4709 | 1 | Plate-Mount, Sensor |
| 18 | 80-9330 | 1 | Audio Alarm ASM | 40 | 3230-16 | 2 | Screw-CARR |
| 18:1 | 104-5107 | 1 | Nut-Plastic, Knurled | 41 | 115-5300 | 1 | Proximity Switch ASM |
| 19 | 120-4578 | 9 | Nut-HF | 41:1 | 117-3207 | 2 | Nut-Hex |
| 20 | 136-4739 | 1 | Ecu-Engine | 41:2 | 117-3208 | 2 | Washer-Lock, Internal Tooth |
| 21 | 3230-3 | 4 | Screw-CARR | 42 | 136-4862 | 1 | Harness-Wire, Fusible Link |
| | | | | 43 | 136-4868 | 1 | Harness-Wire, Aux Jumper |

● Not illustrated

Wire Harness Assembly No. 133-6871



Wire Harness Assembly No. 133-6871 (continued)

| <i>Ref.</i> | <i>Part Number</i> | <i>Qty.</i> | <i>Description</i> | <i>Ref.</i> | <i>Part Number</i> | <i>Qty.</i> | <i>Description</i> |
|-------------|--------------------|-------------|--------------------------|-------------|--------------------|-------------|-------------------------|
| 6 | 116-0053 | 3 | Cap-Plug | 13 | 121-8868 | 1 | Fuse-Mini Blade, 20 Amp |
| 7 | 32180-156 | 1 | Cap-Plug, 6 Way | 14 | 32180-043 | 1 | Resistor-120 Ohm |
| 8 | 32180-089 | 1 | Cap-Plug, 3 Way | 25 | 121-8869 | 1 | Fuse-Mini Blade, 25 Amp |
| 9 | 121-8861 | 2 | Fuse-Mini Blade, 2 Amp | 32 | 122-0368 | 2 | Relay-280 ISO |
| 10 | 121-8864 | 1 | Fuse-Mini Blade, 5 Amp | 33 | 32180-176 | 1 | Cover-Block, Fuse |
| 11 | 121-8865 | 4 | Fuse-Mini Blade, 7.5 Amp | 34 | 32180-177 | 1 | Clip-Mounting |
| 12 | 121-8866 | 6 | Fuse-Mini Blade, 10 Amp | 40 | 32180-091 | 2 | Cap-Dust, 2 Way |

Attachments and Accessories

For 22530 TXL 2000 Tool Carrier

| Product Name | Model/Part |
|--|-------------------|
| Locking Fuel Cap..... | 126-4107 |
| Green Ultra-Low Sulfur Diesel Fuel Cap | 136-4866 |
| Track-Mert | 136-4869 |
| Light Kit..... | 136-4890 |
| 1000 Hour Filter Kit..... | 136-4897 |
| 50 Hour Filter Kit..... | 136-4898 |
| 400 Hour Filter Kit..... | 136-4899 |
| Telescoping Auxiliary Wire Harness Kit..... | 139-1186 |
| Auger Drive..... | 22532 |
| Trencher Head..... | 22533 |
| Brush Cutter | 22534 |
| Grapple..... | 22535 |
| Power Rake | 22536 |
| Angle Broom..... | 22538 |
| Skeleton Grapple | 22541 |
| Tiller..... | 22542 |
| Pick-Up Broom | 22543 |
| High Volume Bucket with Edge..... | 22546 |
| Standard Bucket with Edge..... | 22547 |
| Grading Bucket..... | 22548 |
| Adjustable Forks..... | 22549 |
| Leveler..... | 22550 |
| U-Blade..... | 22572 |
| Stump Bucket | 22573 |
| Standard Bucket without Edge..... | 22576 |
| Dingo TXL 2000 Snow Thrower..... | 22583 |

Notes:



Count on it.