



Count on it.

Parts Catalog

TX 1000

Compact Tool Carrier

Model No. 22327—Serial No. 411510000 and Up



Ordering Replacement Parts

To order replacement parts, please supply the part number, the quantity, and the description of each part desired.

Understanding Reference Numbers

Each identified part in an illustration has a reference number. The reference number for a part also appears in the parts list, along with other information about the part.

This catalog uses two special reference number formats, one to indicate parts in a service assembly and another to indicate the quantity of a given part in an illustration.

Service Assembly Reference Numbers

Parts in service assemblies have reference numbers in the form a:b. The a represents the reference number of the entire service assembly and the b represents a sequential number unique to each part within the service assembly.

For example, a wheel assembly might be identified by reference number 6, the tire by 6:1, the valve by 6:2, and the wheel by 6:3. When you order the assembly identified by reference number 6, you receive all parts identified by reference numbers 6:1, 6:2, and 6:3. However, you may also order any part individually. Reference numbers of this type appear in illustration and in parts lists.

Reference Numbers Indicating Quantity

In an illustration, if a reference number indicates more than one part, the reference number has the form nX y. The n represents the quantity of the part, the X is the multiplication symbol, and the y represents the reference number.

For example, in an illustration, the reference number 2X 37 means that two of the parts identified by reference number 37 are indicated.

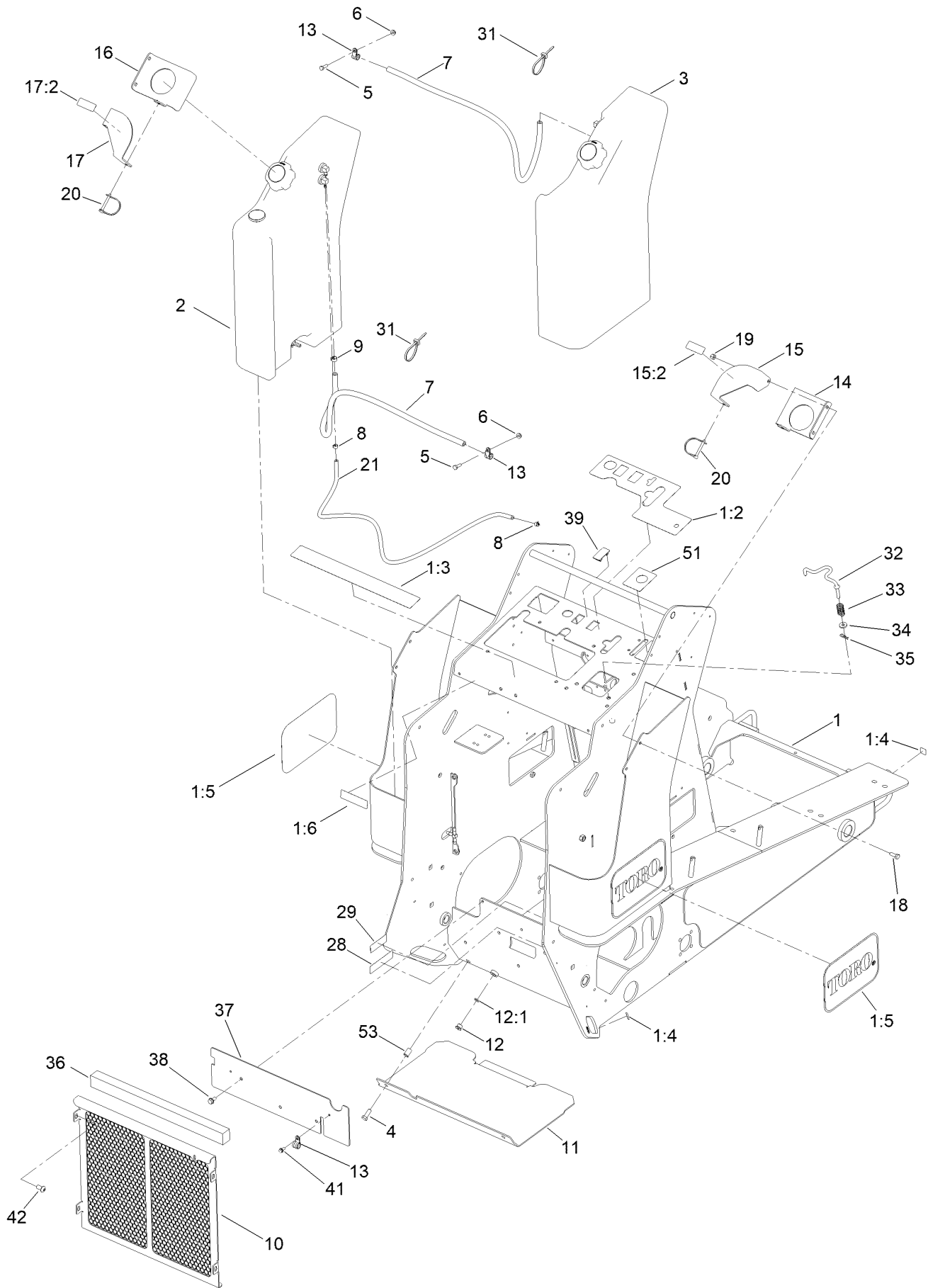
Contents

| | |
|---|----|
| Frame Assembly | 6 |
| LH Fuel Tank Assembly No. 130-1026 | 8 |
| RH Fuel Tank Assembly No. 130-1027 | 10 |
| Hydraulic Tank and Track Shaft Assembly | 12 |
| Track Assembly | 14 |
| LH Track Assembly No. 138-0794 | 16 |
| Hydraulic Motor Assembly No. 138-0761 | 18 |
| RH Track Assembly No. 138-0795 | 20 |
| Hydraulic Motor Assembly No. 138-0778 | 22 |
| Brake Assembly | 24 |
| Front Tower Assembly | 26 |
| Hydraulic Hose Assembly | 28 |
| Radiator and Air Cleaner Assembly | 30 |
| Air Cleaner Assembly No. 93-2190 | 32 |
| Engine and Muffler Assembly | 34 |
| Tandem Pump and Gear Pump Assembly | 36 |
| Tandem Pump Assembly No. 138-0767 | 38 |
| Gear Pump Assembly No. 130-7731 | 40 |
| Control Valve and Reference Bar Assembly | 42 |
| Control Valve Assembly No. 138-0827 | 44 |
| 2-Spool Valve and Auxiliary Valve Assembly | 46 |
| 2-Spool Valve Assembly No. 144-7353 | 48 |
| Double Detent Auxiliary Valve Assembly No. 145-4402 | 50 |
| Loader Arm Assembly | 52 |
| Hydraulic Cylinder Assembly No. 139-0781 | 54 |
| Hydraulic Cylinder Assembly No. 139-0780 | 56 |
| Hydraulic Cylinder Assembly No. 139-0779 | 58 |
| Loader Hydraulic Assembly | 60 |
| Quick Attach Assembly | 62 |
| Front Cover and Side Panel Assembly | 64 |
| Hood Assembly | 66 |
| Manual Tube Assembly | 68 |
| Platform Assembly | 70 |
| Electrical Assembly | 72 |
| Crankcase Assembly | 74 |
| Oil Pan Assembly | 75 |
| Cylinder Head Assembly | 76 |
| Gear Case Assembly | 77 |
| Cylinder Head Cover Assembly | 78 |
| Dipstick and Guide Assembly | 79 |
| Main Bearing Case Assembly | 80 |
| Camshaft and Idle Gear Shaft Assembly | 81 |
| Piston and Crankshaft Assembly | 82 |
| Flywheel Assembly | 83 |
| Fuel Camshaft and Governor Shaft Assembly | 84 |
| Idle Apparatus Assembly | 85 |
| Stop Solenoid Assembly | 86 |
| Injection Pump Assembly | 87 |
| Governor Assembly | 88 |
| Speed Control Plate Assembly | 89 |
| Nozzle Holder and Glow Plug Assembly | 90 |
| Nozzle Holder Assembly | 91 |
| Alternator and Pulley Assembly | 92 |
| Alternator Components Assembly | 93 |

Contents (continued)

| | |
|--|-----|
| Starter Installation Assembly | 94 |
| Starter Component Assembly | 95 |
| Water Flange and Thermostat Assembly | 96 |
| Water Pump Assembly | 97 |
| Valve and Rocker Arm Assembly | 98 |
| Inlet and Exhaust Manifold Assembly | 99 |
| Accessories and Service Parts | 100 |
| Upper Gasket Kit | 101 |
| Lower Gasket Kit | 102 |
| Attachments and Accessories | 103 |

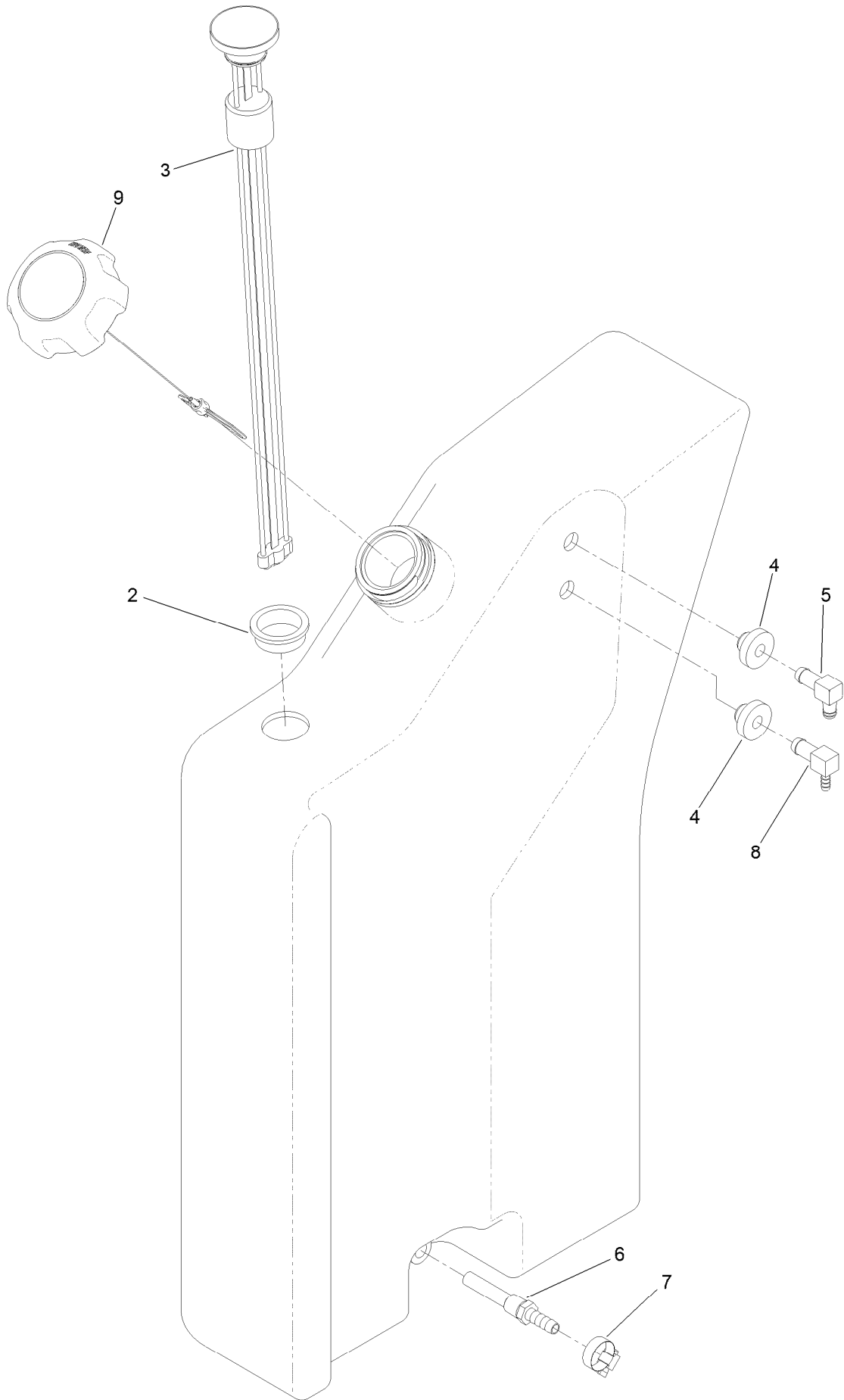
Frame Assembly



Frame Assembly (continued)

| <i>Ref.</i> | <i>Part Number</i> | <i>Qty.</i> | <i>Description</i> | <i>Ref.</i> | <i>Part Number</i> | <i>Qty.</i> | <i>Description</i> |
|-------------|--------------------|-------------|-------------------------------|-------------|--------------------|-------------|-----------------------------|
| 1 | 144-7379 | 1 | Tx1000 Frame ASM (Service) | 16 | 130-1134-03 | 1 | Plate-Hold Down, LH |
| 1:2 | 138-0828 | 1 | Decal-Control Panel | 17 | 130-5316 | 1 | Plate-Lock, Fuel Cap, LH |
| 1:3 | 145-0637 | 1 | Decal-Safety | 17:2 | 93-6680 | 1 | Decal-Diesel |
| 1:4 | 93-9084 | 4 | Decal-Point, Lift | 18 | 322-4 | 4 | Screw-HH |
| 1:5 | 66-6140 | 2 | Decal | 19 | 3296-29 | 4 | Nut-Lock, NI |
| 1:6 | 115-4865 | 1 | Decal-Fill, Radiator | 20 | 100-1663 | 2 | Pin-Hitch |
| 2 | 130-1026 | 1 | LH Fuel Tank ASM | 21 | 130-7714 | 1 | Hose-Fuel |
| 3 | 130-1027 | 1 | RH Fuel Tank ASM | 28 | 133-8062 | 1 | Decal-Arrestor, Spark |
| 4 | 323-6 | 2 | Screw-HH | 29 | 144-7390 | 1 | Decal - Regulatory CE Decal |
| 5 | 321-5 | 2 | Screw-HH | 31 | 3290-378 | 2 | Tie-Cable |
| 6 | 32128-33 | 2 | Nut-HF | 32 | 131-0713 | 1 | Rod-Interlock |
| 7 | 110-6186 | 2 | Hose-Fuel | 33 | 85-6750 | 1 | Spring-Control |
| 8 | 2412-80 | 2 | Clamp-Hose | 34 | 88-7200 | 1 | Washer-Flat |
| 9 | 92-2379 | 2 | Clamp-Hose | 35 | 3290-307 | 1 | Pin-Cotter |
| 10 | 145-3756-03 | 1 | Screen ASM | 36 | 131-9175 | 1 | Seal-Foam |
| 11 | 130-0995-01 | 1 | Cover-Bottom | 37 | 145-3757-01 | 1 | Panel, Frame |
| 12 | 353-989 | 1 | Plug-Hex, Hollow | 38 | 32144-14 | 3 | Screw-HWHTF |
| 12:1 | 237-42 | 1 | O-Ring | 39 | 99-7420 | 1 | Plug-Hole |
| 13 | 2412-134 | 4 | Clamp-R | 41 | 32144-4 | 2 | Screw-HWH |
| 14 | 130-1104-03 | 1 | Plate-Hold Down, RH | 42 | 3274-80 | 4 | Screw-HH |
| 15 | 130-5317 | 1 | Plate-Lock, Fuel Cap, RH | 51 | 137-9030 | 1 | Decal-Ignition Switch |
| 15:2 | 93-6680 | 1 | Decal-Diesel | 53 | 32148-10 | 2 | Nut-Clinch |

LH Fuel Tank Assembly No. 130-1026

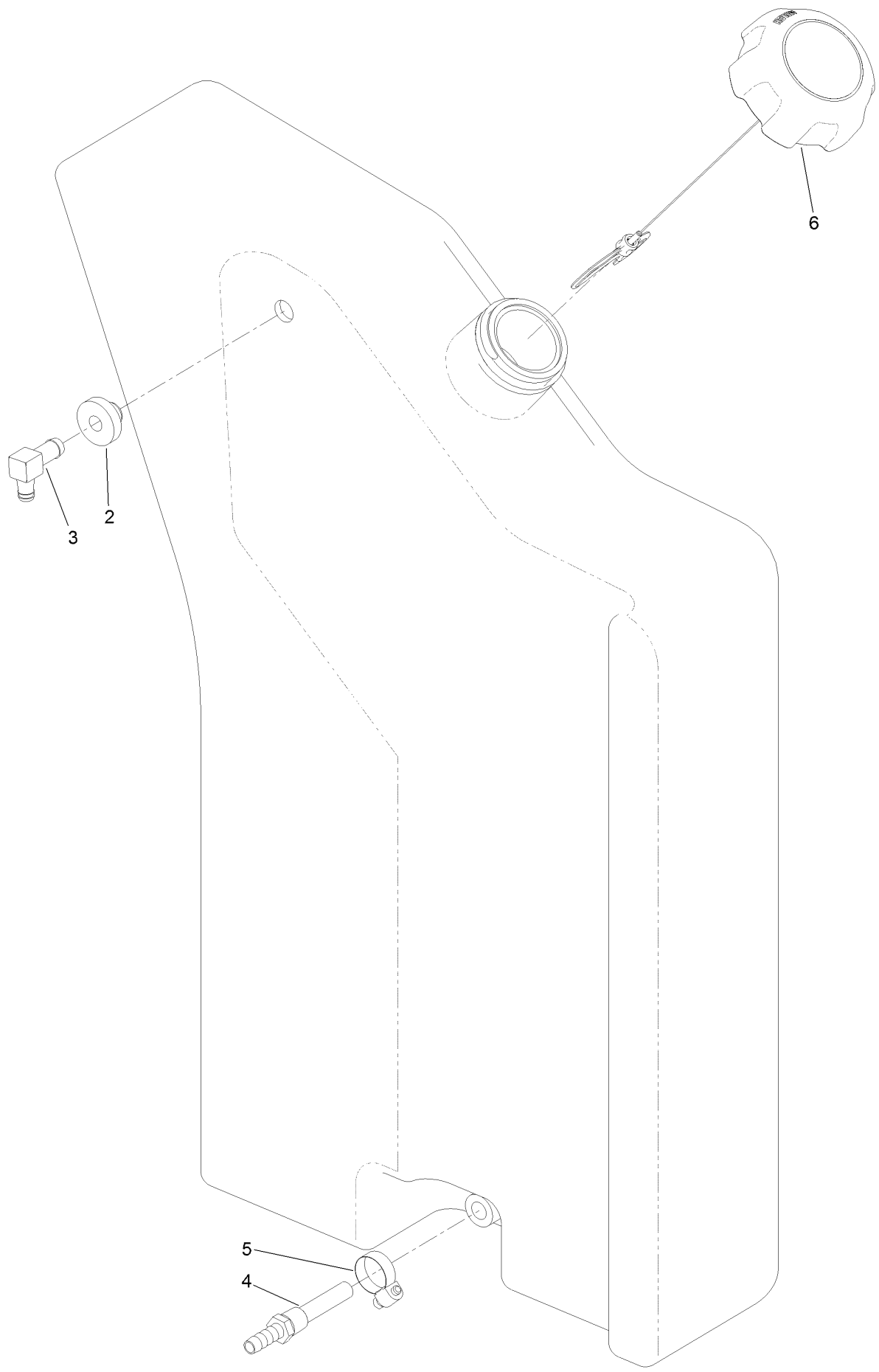


LH Fuel Tank Assembly No. 130-1026 (continued)

| <i>Ref.</i> | <i>Part Number</i> | <i>Qty.</i> | <i>Description</i> |
|-------------|--------------------|-------------|--------------------|
| 2 | 95-8972 | 1 | Grommet |
| 3 | 104-5603 | 1 | Gauge-Level, Fuel |
| 4 | 46-6560 | 2 | Bushing |
| 5 | 1-643259 | 1 | Fitting-Elbow |

| <i>Ref.</i> | <i>Part Number</i> | <i>Qty.</i> | <i>Description</i> |
|-------------|--------------------|-------------|-----------------------|
| 6 | 112-6374 | 1 | Fitting-Strainer |
| 7 | 2412-36 | 1 | Clamp-Hose |
| 8 | 104-5228 | 1 | Fitting-Elbow, 90 DEG |
| 9 | 130-7567 | 1 | Cap-Diesel, |

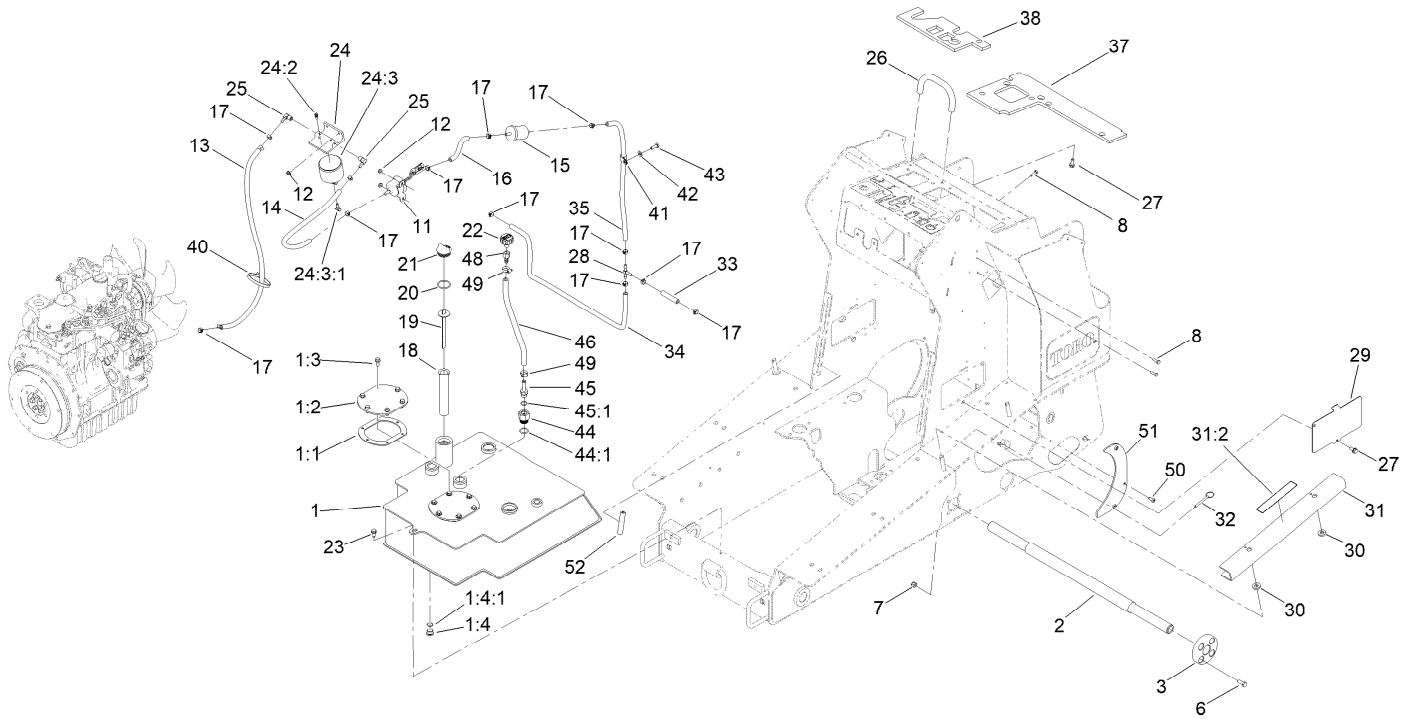
RH Fuel Tank Assembly No. 130-1027



RH Fuel Tank Assembly No. 130-1027 (continued)

| <i>Ref.</i> | <i>Part Number</i> | <i>Qty.</i> | <i>Description</i> | <i>Ref.</i> | <i>Part Number</i> | <i>Qty.</i> | <i>Description</i> |
|-------------|--------------------|-------------|--------------------|-------------|--------------------|-------------|--------------------|
| 2 | 46-6560 | 1 | Bushing | 5 | 2412-36 | 1 | Clamp-Hose |
| 3 | 1-643259 | 1 | Fitting-Elbow | 6 | 130-7567 | 1 | Cap-Diesel, |
| 4 | 112-6374 | 1 | Fitting-Strainer | | | | |

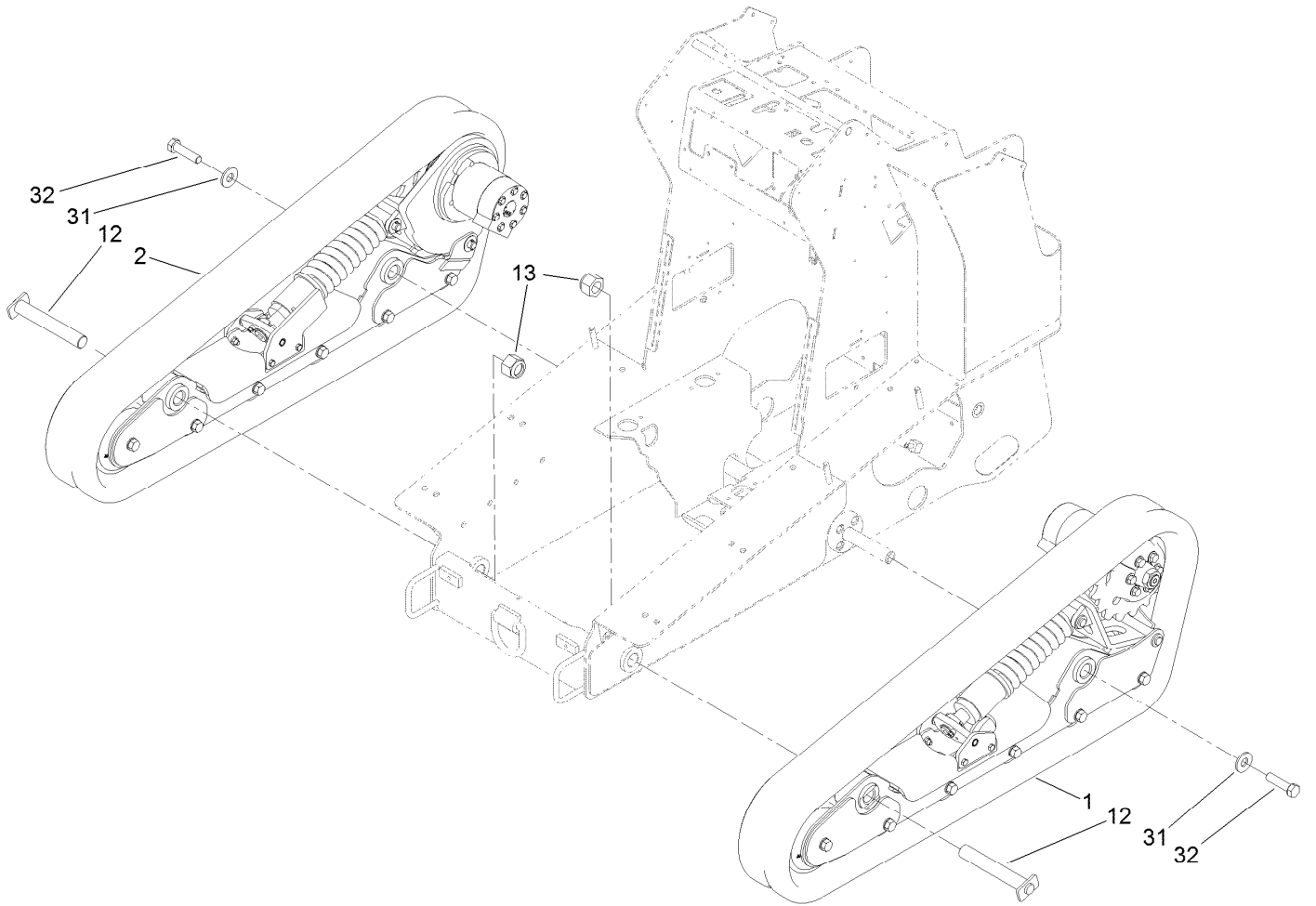
Hydraulic Tank and Track Shaft Assembly



Hydraulic Tank and Track Shaft Assembly (continued)

| <i>Ref.</i> | <i>Part Number</i> | <i>Qty.</i> | <i>Description</i> | <i>Ref.</i> | <i>Part Number</i> | <i>Qty.</i> | <i>Description</i> |
|-------------|--------------------|-------------|----------------------|-------------|--------------------|-------------|------------------------|
| 1 | 125-0404 | 1 | Tank-HYD | 25 | 353-781 | 2 | Fitting-HYD, 90 |
| 1:1 | 107-3557 | 1 | Gasket-Cover, Access | 26 | 112-2620 | 1 | Bar-Reference |
| 1:2 | 108-6297-01 | 1 | Cover-Tank | 27 | 3234-5 | 4 | Screw-HHF |
| 1:3 | 98-9940 | 6 | Screw-HHF | 28 | 99-5005 | 1 | Fitting-Tee, Barbed |
| 1:4 | 353-988 | 1 | Plug-Hex | 29 | 130-1036-01 | 2 | Plate-Cover, Access |
| 1:4:1 | 237-79 | 1 | O-Ring | 30 | 83-1470 | 4 | Washer-Neoprene |
| 2 | 125-0425 | 1 | Shaft-Track | 31 | 130-5315 | 2 | Arm-Locking |
| 3 | 132-9074 | 2 | Hub-Shaft | 31:2 | 115-4858 | 1 | Decal-Danger |
| 6 | 323-6 | 8 | Screw-HH | 32 | 108-0094 | 4 | Pin-Cotterless |
| 7 | 3296-39 | 8 | Nut-Lock, NI | 33 | 133-0223 | 1 | Hose-Fuel |
| 8 | 321-5 | 4 | Screw-HH | 34 | 121-7914 | 1 | Hose-Fuel |
| 11 | 145-3154 | 1 | Pump-Fuel, Electric | 35 | 133-1636 | 1 | Hose-Fuel |
| 12 | 32128-33 | 4 | Nut-HF | 37 | 132-8416 | 1 | Foam-Heat Shield |
| 13 | 110-6186 | 1 | Hose-Fuel | 38 | 140-7698 | 1 | Foam-Heat Shield |
| 14 | 110-4112 | 1 | Hose-Fuel | 40 | 3334-945 | 1 | Tie-Cable |
| 15 | 98-7612 | 1 | Filter-Fuel | 41 | 92-6064 | 1 | Clamp-R |
| 16 | 136-5837 | 1 | Hose-Fuel | 42 | 3256-38 | 1 | Washer-Flat |
| 17 | 92-2379 | 12 | Clamp-Hose | 43 | 322-4 | 1 | Screw-HH |
| 18 | 61-2790 | 1 | Filter-Screen | 44 | 96-0864 | 1 | Fitting-Straight |
| 19 | 130-7686 | 1 | Dipstick | 44:1 | 237-81 | 1 | O-Ring |
| 20 | 237-101 | 1 | O-Ring | 45 | 115-2231 | 1 | Fitting-STR |
| 21 | 93-7498 | 1 | Plug-Plastic | 45:1 | 237-79 | 1 | O-Ring |
| 22 | 68-6150 | 1 | Breather | 46 | 94-5625 | 1 | Hose |
| 23 | 32144-11 | 1 | Screw-HWH | 48 | 354-94 | 1 | Fitting-Female, Barbed |
| 24 | 109-2678 | 1 | Filter ASM | 49 | 2412-36 | 2 | Clamp-Hose |
| 24:2 | 63-8290 | 1 | Vent-Air | 50 | 137-4657-03 | 2 | Plate-Dirt |
| 24:3 | 63-8300 | 1 | Element-Spin On | 51 | 613381 | 6 | Screw-Bh-Thd Roll |
| 24:3:1 | 63-8310 | 1 | Valve-Drain | 52 | 70-2041 | 2 | Trim - Edge |

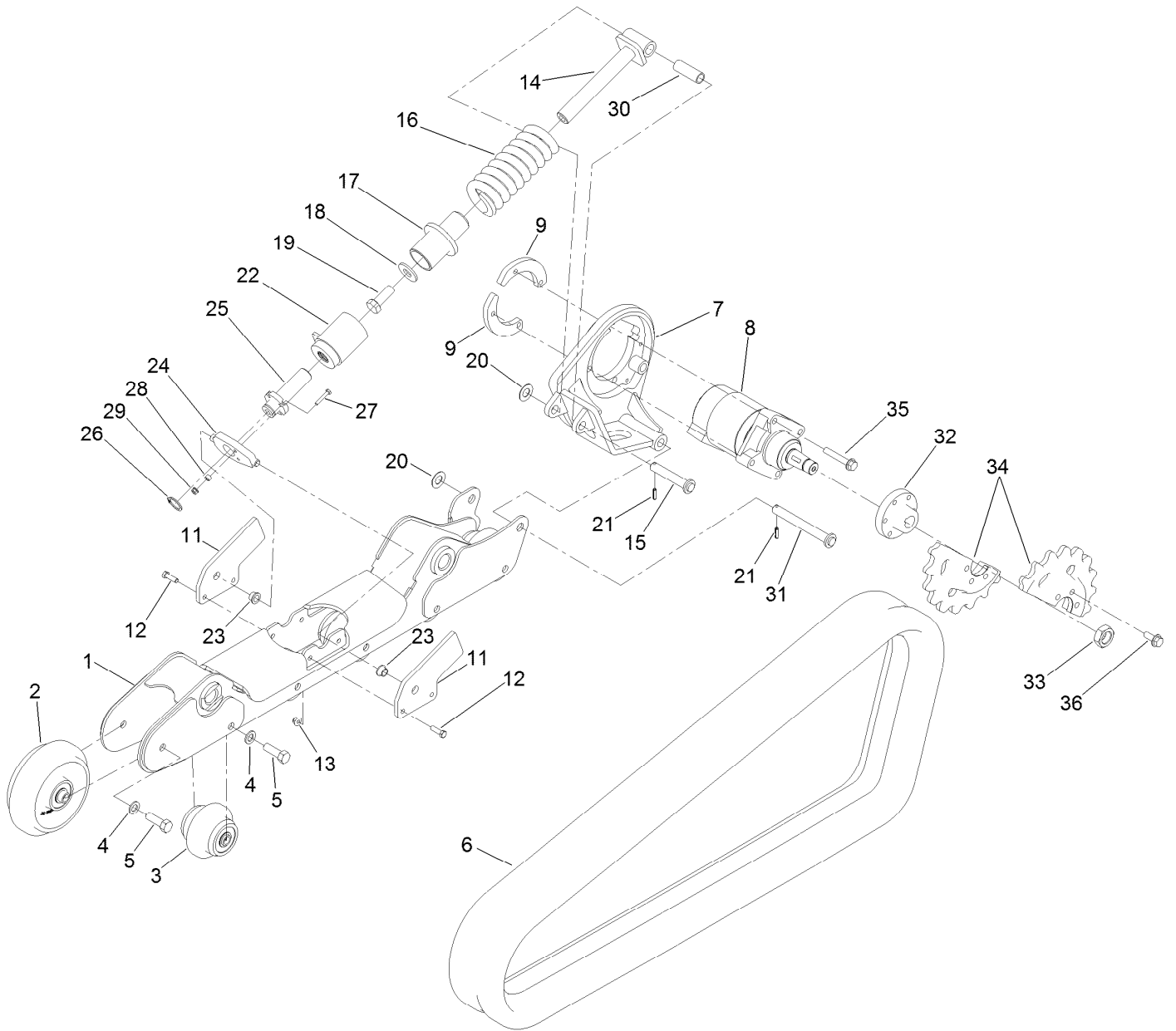
Track Assembly



Track Assembly (continued)

| <i>Ref.</i> | <i>Part Number</i> | <i>Qty.</i> | <i>Description</i> | <i>Ref.</i> | <i>Part Number</i> | <i>Qty.</i> | <i>Description</i> |
|-------------|--------------------|-------------|--------------------|-------------|--------------------|-------------|--------------------|
| 1 | 138-0794 | 1 | LH Track ASM | 13 | 125-0399 | 2 | Nut-HH |
| 2 | 138-0795 | 1 | RH Track ASM | 31 | 99-2659 | 2 | Washer |
| 12 | 130-0967 | 2 | Pin-Track | 32 | 328-25 | 2 | Screw-HH |

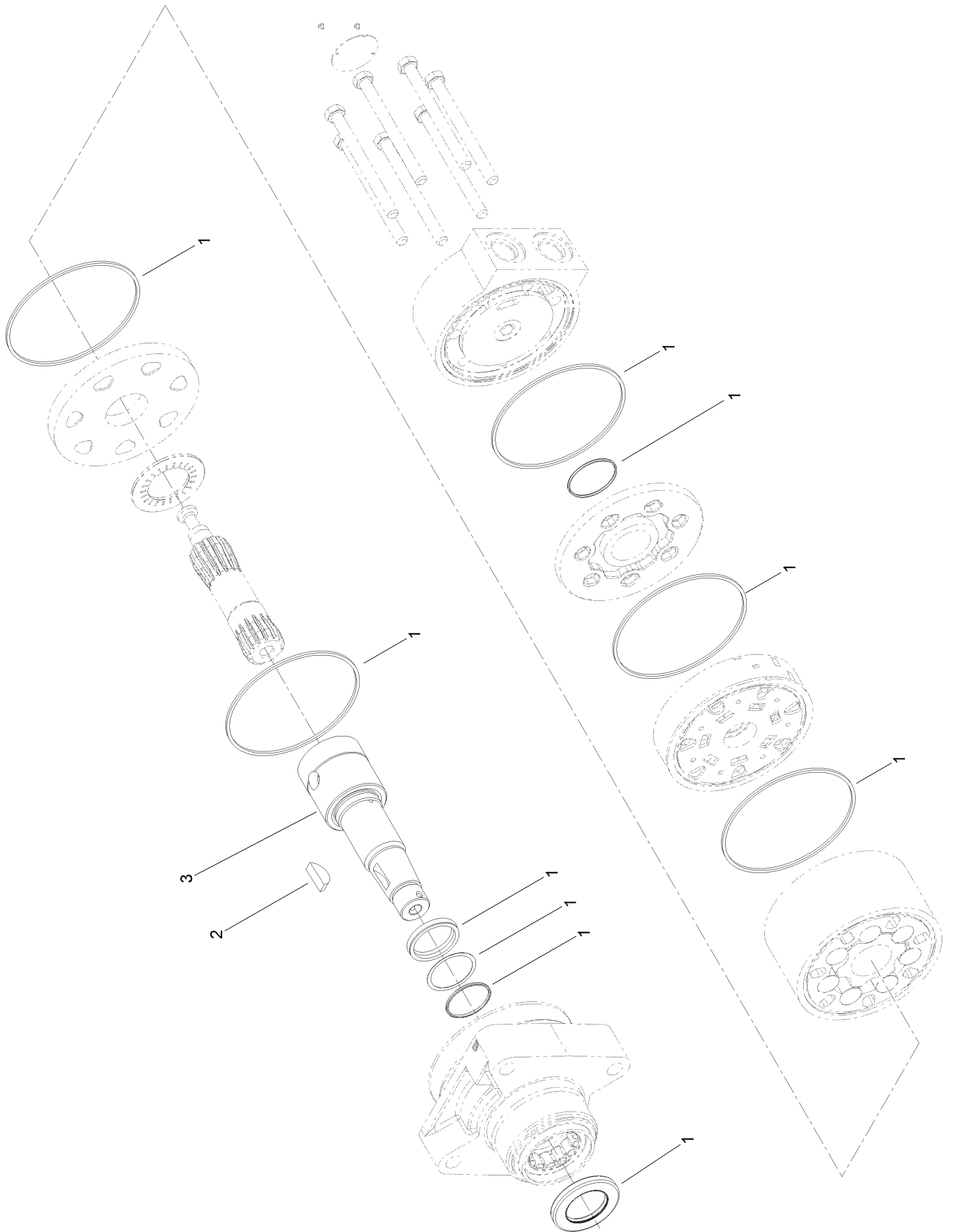
LH Track Assembly No. 138-0794



LH Track Assembly No. 138-0794 (continued)

| <i>Ref.</i> | <i>Part Number</i> | <i>Qty.</i> | <i>Description</i> | <i>Ref.</i> | <i>Part Number</i> | <i>Qty.</i> | <i>Description</i> |
|-------------|--------------------|-------------|-------------------------------|-------------|--------------------|-------------|--------------------------|
| 1 | 138-4658 | 1 | Frame-Track, LH | 19 | AU426-1232 | 1 | Bolt |
| 2 | 137-8807 | 1 | Tensioner Wheel ASM | 20 | 3256-39 | 2 | Washer-Flat |
| 3 | 137-8808 | 5 | Wheel ASM, | 21 | 32121-24 | 2 | Pin-Spring |
| 4 | 33098-00 | 12 | Washer-Flat | 22 | 138-0242 | 1 | Housing-Tensioner |
| 5 | 111-3484 | 12 | Screw-HH | 23 | 65-8770 | 2 | Bushing-Bellcrank |
| 6 | 138-0186 | 1 | Track-Narrow | 24 | 138-4681 | 1 | Plate-Pivot |
| 7 | 138-4395 | 1 | Mount-Motor, LH | 25 | 138-0247 | 1 | Screw-Tensioner |
| 8 | 138-0761 | 1 | Motor-HYD | 26 | 32151-77 | 1 | Ring-Retaining, External |
| 9 | 137-4614 | 2 | Plate-Mounting, Wheelmotor | 27 | 321-9 | 1 | Screw-HH |
| 11 | 137-4632 | 2 | Plate-Ear, Inside | 28 | 98-4799 | 1 | Spacer |
| 12 | 323-7 | 4 | Screw-HH | 29 | 32128-32 | 1 | Nut-HHF |
| 13 | 104-8301 | 4 | Nut-HF, NI | 30 | 127-9565 | 1 | Spacer-Pivot |
| 14 | 138-0238 | 1 | Tensioner-Spring | 31 | 137-4518 | 1 | Pin-Pivot |
| 15 | 130-1057 | 1 | Pin-Tensioner | 32 | 144-7351 | 1 | Hub-Sprocket, |
| 16 | 138-0237 | 1 | Spring-Compression | 33 | 107-9319 | 1 | Nut-Hex |
| 17 | 138-0248 | 1 | Guide-Tensioner | 34 | 137-4643 | 2 | Sprocket-18 Tooth |
| 18 | 99-2659 | 1 | Washer | 35 | 3234-40 | 4 | Screw-HF |
| | | | | 36 | 137-4653 | 6 | Screw-HHF |

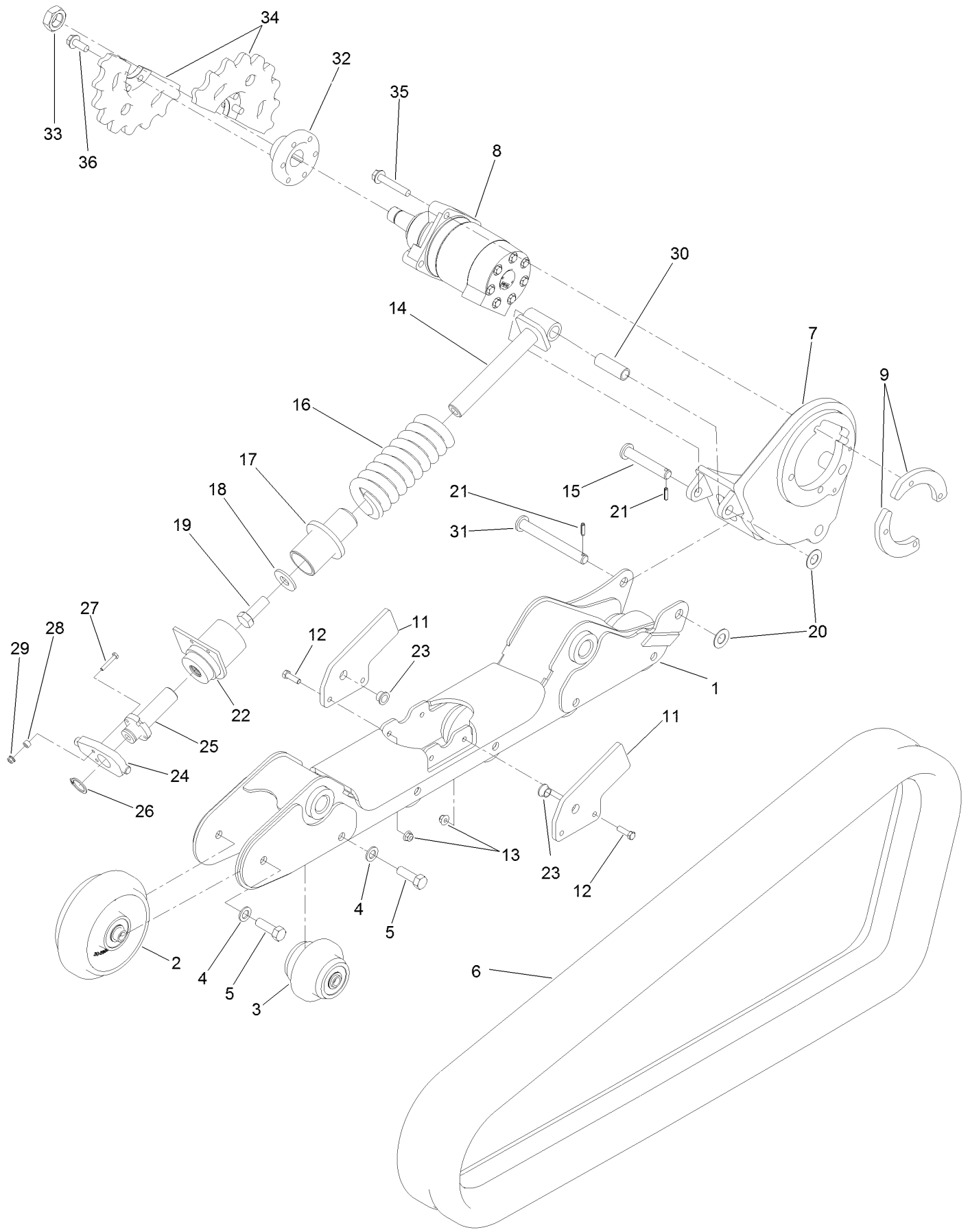
Hydraulic Motor Assembly No. 138-0761



Hydraulic Motor Assembly No. 138-0761 (continued)

| <i>Ref.</i> | <i>Part Number</i> | <i>Qty.</i> | <i>Description</i> |
|-------------|--------------------|-------------|----------------------|
| 1 | 137-1824 | 1 | Seal Kit |
| 2 | 3257-42 | 1 | Key-Woodruff |
| 3 | 140-7697 | 1 | Shaft - Coupling Tgk |

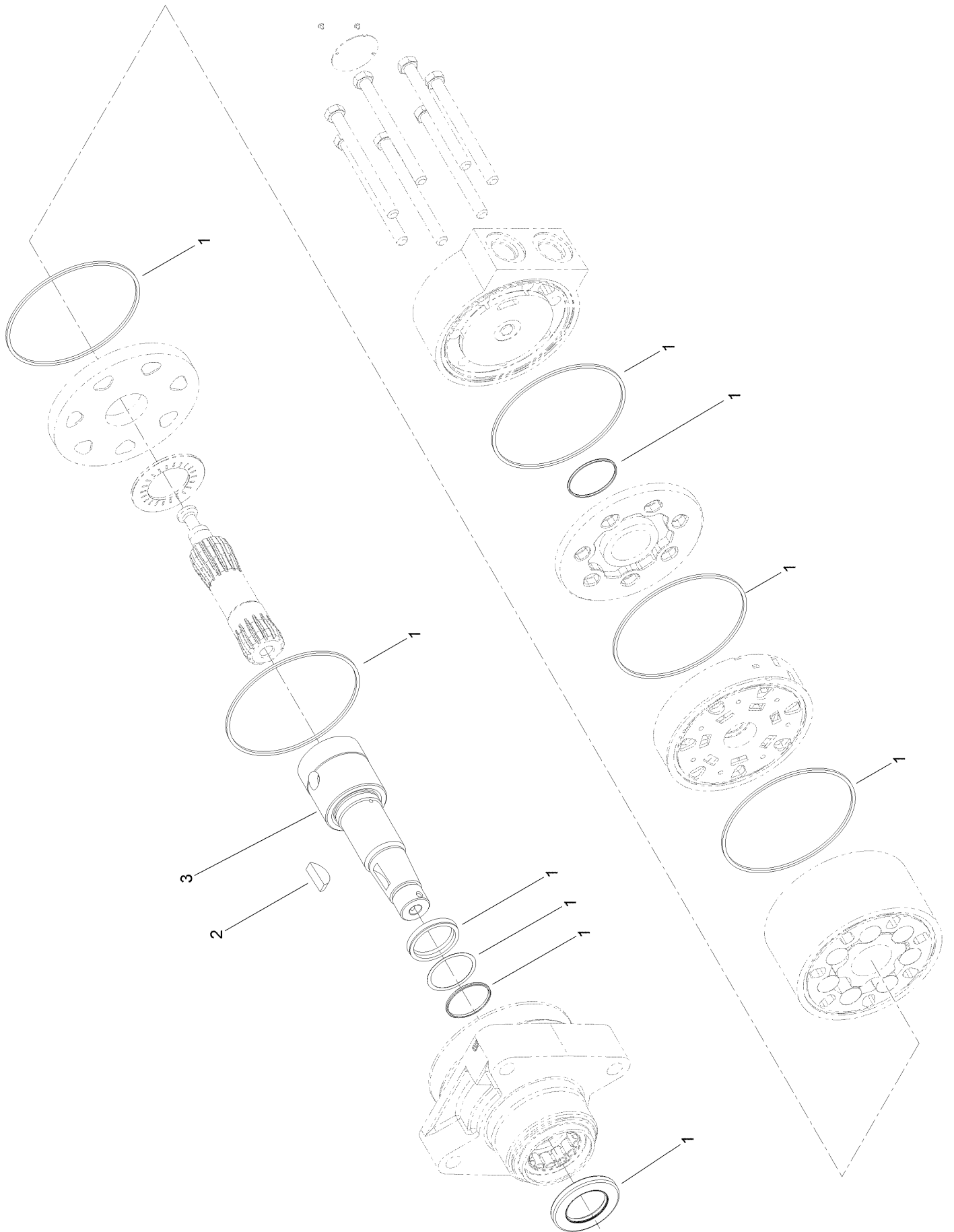
RH Track Assembly No. 138-0795



RH Track Assembly No. 138-0795 (continued)

| <i>Ref.</i> | <i>Part Number</i> | <i>Qty.</i> | <i>Description</i> | <i>Ref.</i> | <i>Part Number</i> | <i>Qty.</i> | <i>Description</i> |
|-------------|--------------------|-------------|-------------------------------|-------------|--------------------|-------------|--------------------------|
| 1 | 138-4657 | 1 | Frame-Track, RH | 19 | AU426-1232 | 1 | Bolt |
| 2 | 137-8807 | 1 | Tensioner Wheel ASM | 20 | 3256-39 | 2 | Washer-Flat |
| 3 | 137-8808 | 5 | Wheel ASM, | 21 | 32121-24 | 2 | Pin-Spring |
| 4 | 33098-00 | 12 | Washer-Flat | 22 | 137-4650 | 1 | Housing-Tensioner, RH |
| 5 | 111-3484 | 12 | Screw-HH | 23 | 65-8770 | 2 | Bushing-Bellcrank |
| 6 | 138-0186 | 1 | Track-Narrow | 24 | 138-4681 | 1 | Plate-Pivot |
| 7 | 138-4397 | 1 | Mount-Motor, RH | 25 | 138-0247 | 1 | Screw-Tensioner |
| 8 | 138-0778 | 1 | Motor-HYD | 26 | 32151-77 | 1 | Ring-Retaining, External |
| 9 | 137-4614 | 2 | Plate-Mounting, Wheelmotor | 27 | 321-9 | 1 | Screw-HH |
| 11 | 137-4632 | 2 | Plate-Ear, Inside | 28 | 98-4799 | 1 | Spacer |
| 12 | 323-7 | 4 | Screw-HH | 29 | 32128-32 | 1 | Nut-HHF |
| 13 | 104-8301 | 4 | Nut-HF, NI | 30 | 127-9565 | 1 | Spacer-Pivot |
| 14 | 138-0238 | 1 | Tensioner-Spring | 31 | 137-4518 | 1 | Pin-Pivot |
| 15 | 130-1057 | 1 | Pin-Tensioner | 32 | 144-7351 | 1 | Hub-Sprocket, |
| 16 | 138-0237 | 1 | Spring-Compression | 33 | 107-9319 | 1 | Nut-Hex |
| 17 | 138-0248 | 1 | Guide-Tensioner | 34 | 137-4643 | 2 | Sprocket-18 Tooth |
| 18 | 99-2659 | 1 | Washer | 35 | 3234-40 | 4 | Screw-HF |
| | | | | 36 | 137-4653 | 6 | Screw-HHF |

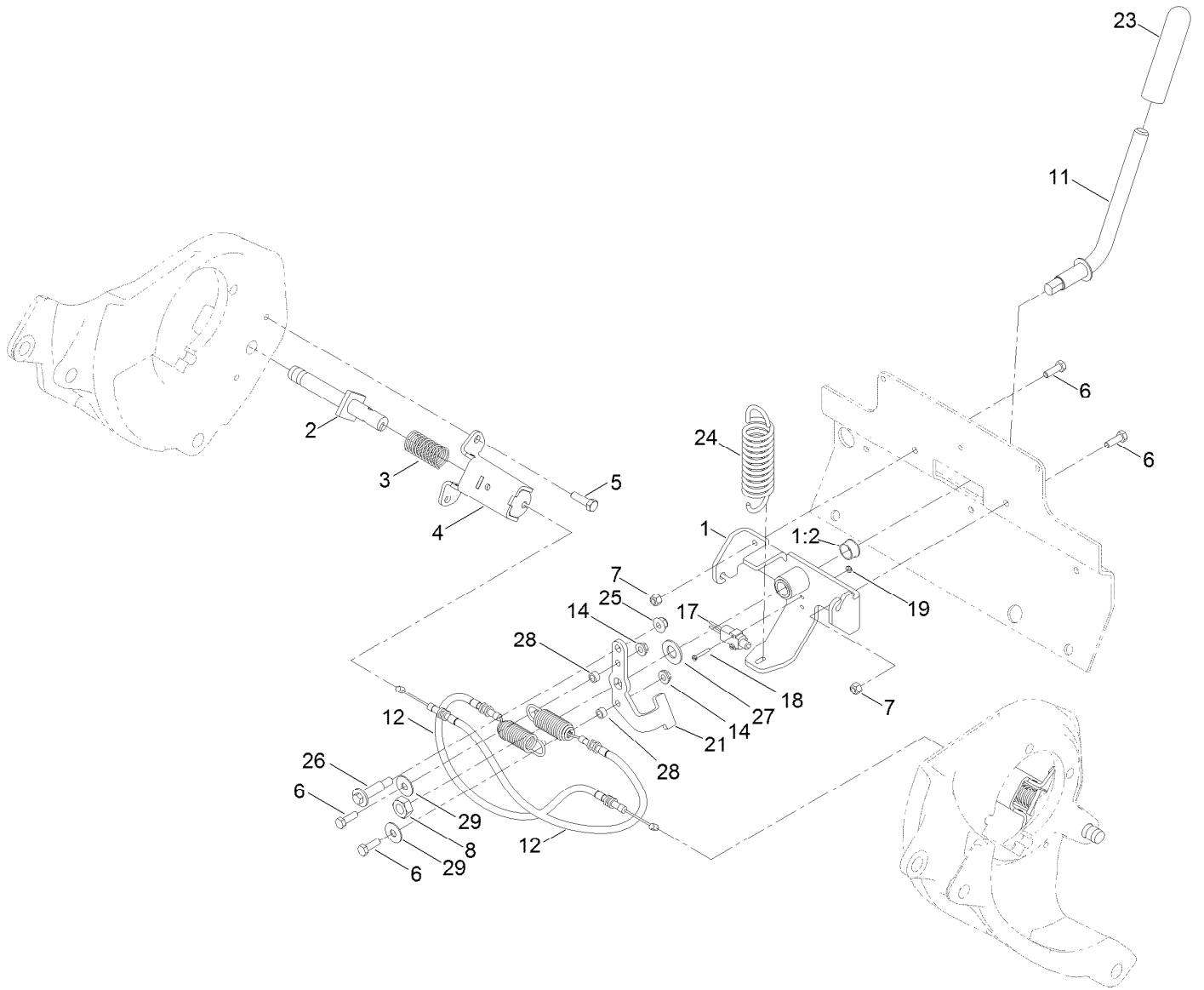
Hydraulic Motor Assembly No. 138-0778



Hydraulic Motor Assembly No. 138-0778 (continued)

| <i>Ref.</i> | <i>Part Number</i> | <i>Qty.</i> | <i>Description</i> |
|-------------|--------------------|-------------|----------------------|
| 1 | 137-1824 | 1 | Seal Kit |
| 2 | 3257-42 | 1 | Key-Woodruff |
| 3 | 140-7697 | 1 | Shaft - Coupling Tgk |

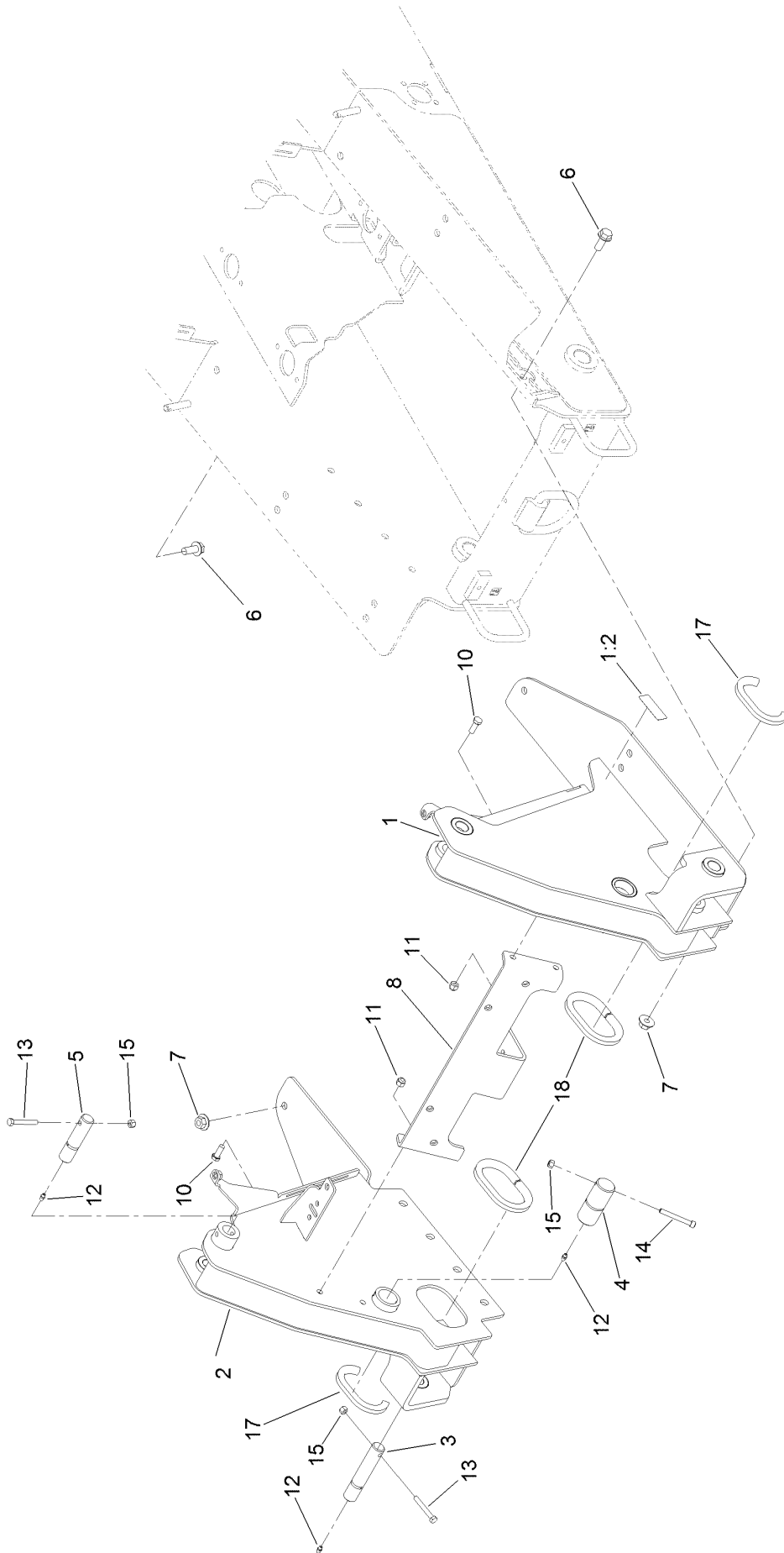
Brake Assembly



Brake Assembly (continued)

| <i>Ref.</i> | <i>Part Number</i> | <i>Qty.</i> | <i>Description</i> | <i>Ref.</i> | <i>Part Number</i> | <i>Qty.</i> | <i>Description</i> |
|-------------|--------------------|-------------|--------------------|-------------|--------------------|-------------|---------------------|
| 1 | 136-4798 | 1 | Bracket-Brake | 17 | 95-8900 | 1 | Switch |
| 1:2 | 256-252 | 2 | Bearing-Flange | 18 | 32105-9 | 2 | Screw-HH |
| 2 | 137-4617 | 2 | Rod-Brake | 19 | 3296-9 | 2 | Nut-Hex |
| 3 | 125-0344 | 2 | Spring-Compression | 21 | 138-0205-0P | 1 | Plate-Brake Linkage |
| 4 | 137-4648-03 | 2 | Mount-Brake | 23 | 110-1037 | 1 | Grip-Handle |
| 5 | 323-7 | 4 | Screw-HH | 24 | 136-4787 | 1 | Spring-EXT |
| 6 | 322-5 | 4 | Screw-HH | 25 | 104-8301 | 1 | Nut-HF, NI |
| 7 | 3296-29 | 2 | Nut-Lock, NI | 26 | 136-7198 | 1 | Bolt-Shoulder |
| 8 | 3296-33 | 1 | Nut-Lock, NI | 27 | 3256-27 | 1 | Washer-Flat |
| 11 | 133-0232 | 1 | Lever-Brake | 28 | 85-9120 | 2 | Spacer-Pivot, Tilt |
| 12 | 136-4789 | 2 | Cable-Brake | 29 | 52-2860 | 2 | Washer |
| 14 | 32128-20 | 2 | Nut-HF | | | | |

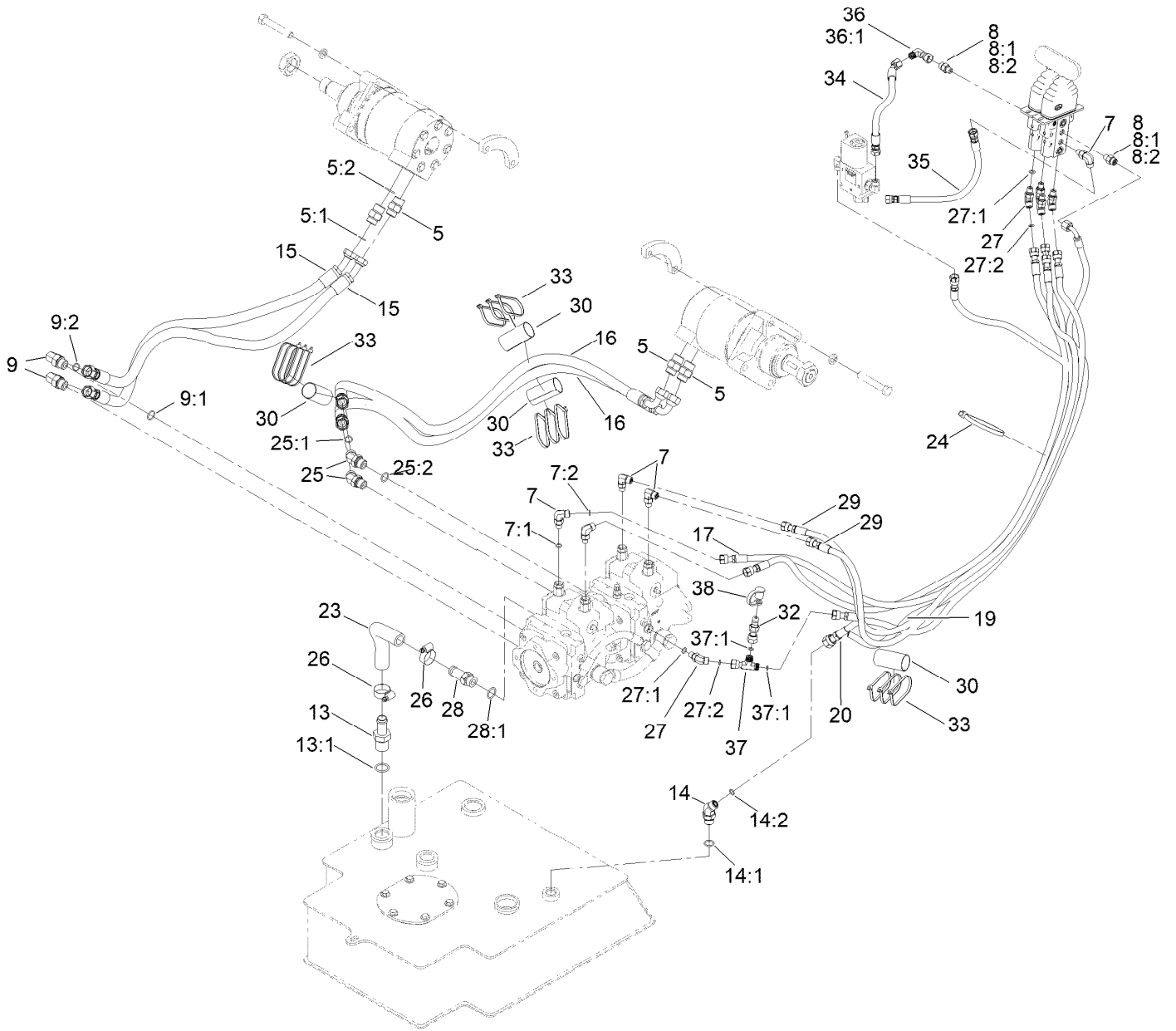
Front Tower Assembly



Front Tower Assembly (continued)

| <i>Ref.</i> | <i>Part Number</i> | <i>Qty.</i> | <i>Description</i> | <i>Ref.</i> | <i>Part Number</i> | <i>Qty.</i> | <i>Description</i> |
|-------------|--------------------|-------------|--------------------|-------------|--------------------|-------------|--------------------|
| 1 | 130-5323 | 1 | Tower-Front, LH | 10 | AU426-616 | 4 | Screw-HH |
| 1:2 | 115-2047 | 1 | Decal-Surface, Hot | 11 | 3296-39 | 4 | Nut-Lock, NI |
| 2 | 130-5177-01 | 1 | Tower, RH | 12 | 302-5 | 6 | Fitting-Grease |
| 3 | 131-9201 | 2 | Pin-HYD | 13 | 322-11 | 4 | Screw-HH |
| 4 | 125-3748 | 2 | Pin-Arm | 14 | 3274-40 | 2 | Screw-HSH |
| 5 | 125-3695 | 2 | Pin-Link | 15 | 3296-29 | 6 | Nut-Lock, NI |
| 6 | 3234-38 | 18 | Screw-HHF | 17 | 133-8571 | 4 | Trim-Seal |
| 7 | 32128-52 | 18 | Nut-Lock, Flange | 18 | 133-8572 | 2 | Trim-Seal |
| 8 | 125-3667-03 | 1 | Plate-Cross, Tower | | | | |

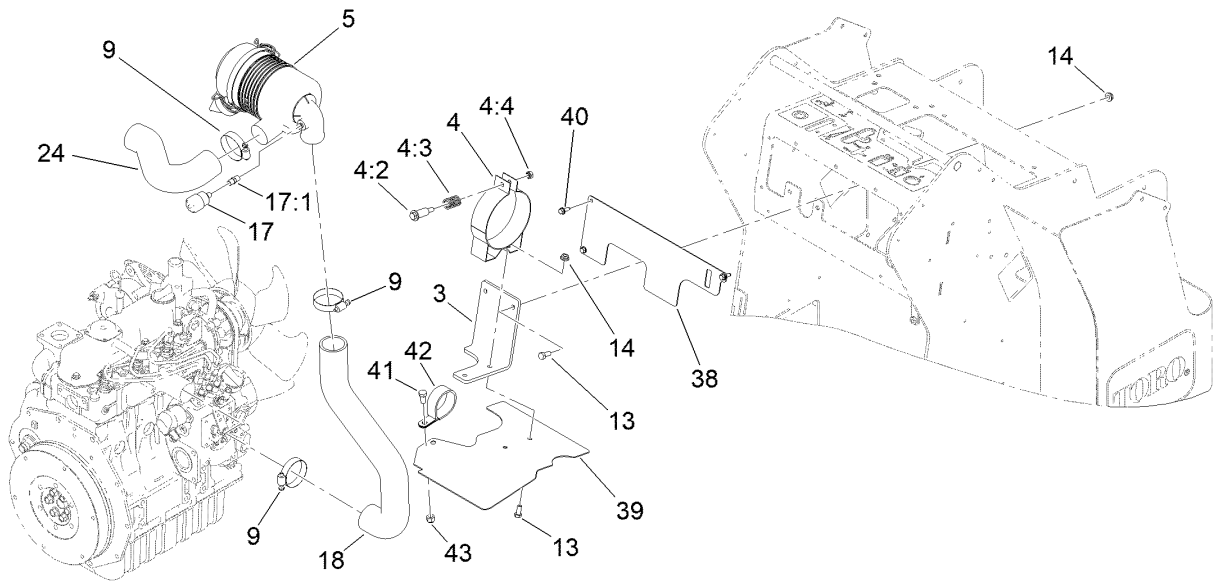
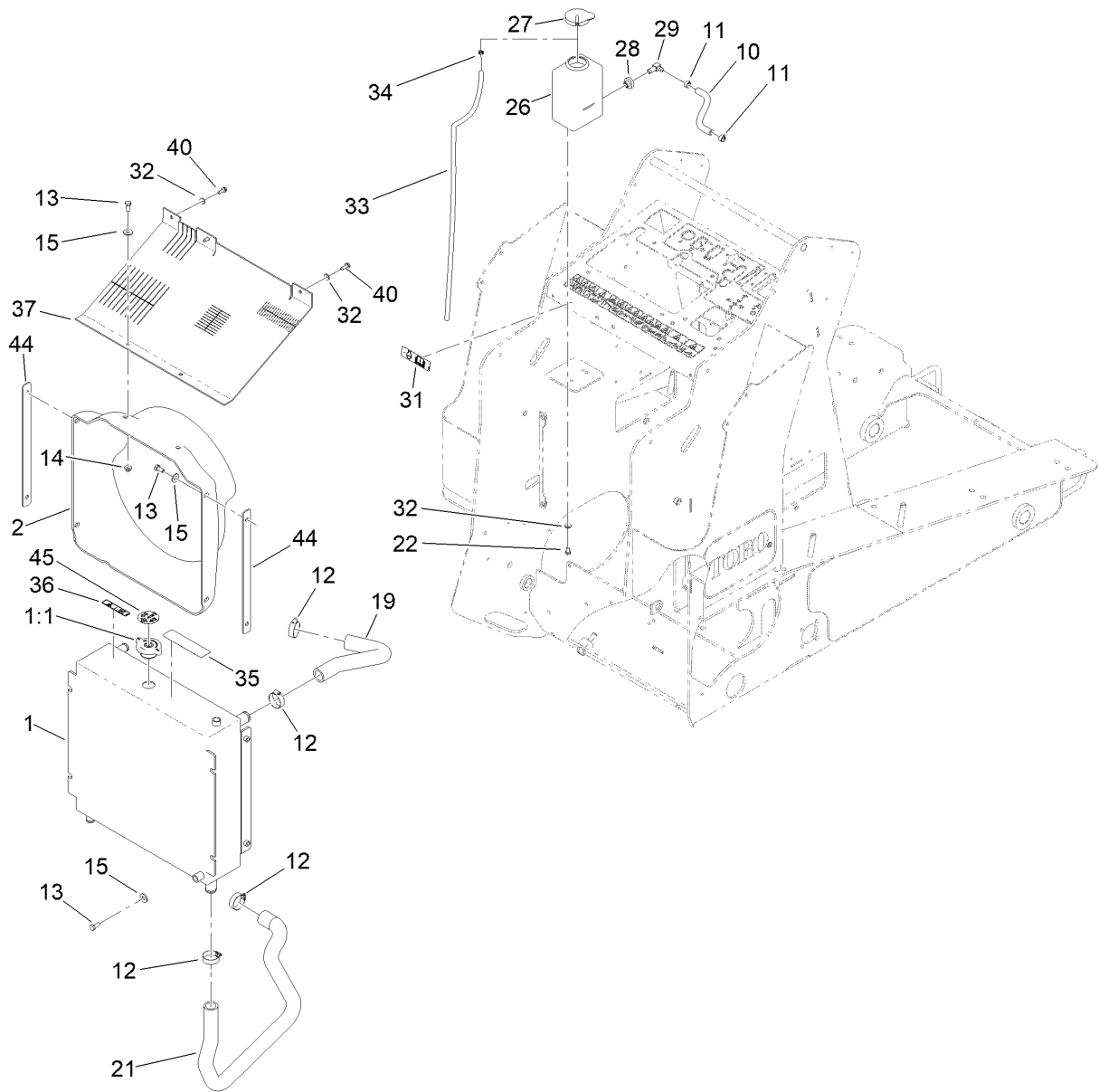
Hydraulic Hose Assembly



Hydraulic Hose Assembly (continued)

| <i>Ref.</i> | <i>Part Number</i> | <i>Qty.</i> | <i>Description</i> | <i>Ref.</i> | <i>Part Number</i> | <i>Qty.</i> | <i>Description</i> |
|-------------|--------------------|-------------|-----------------------|-------------|--------------------|-------------|---------------------|
| 5 | 340-6 | 4 | Fitting-Straight | 23 | 133-0231 | 1 | Hose-Return |
| 5:1 | 237-30 | 1 | O-Ring | 24 | 3334-945 | 1 | Tie-Cable |
| 5:2 | 237-80 | 1 | O-Ring | 25 | 340-101 | 2 | Fitting-HYD, 45 DEG |
| 7 | 340-132 | 5 | Fitting-Elbow, 90 DEG | 25:1 | 237-30 | 1 | O-Ring |
| 7:1 | 237-78 | 1 | O-Ring | 25:2 | 237-79 | 1 | O-Ring |
| 7:2 | 237-21 | 1 | O-Ring | 26 | 2412-129 | 2 | Clamp-Hose |
| 8 | 340-92 | 2 | Fitting-Straight | 27 | 340-103 | 5 | Fitting-HYD, 45 DEG |
| 8:1 | 237-78 | 1 | O-Ring | 27:1 | 237-78 | 1 | O-Ring |
| 8:2 | 237-21 | 1 | O-Ring | 27:2 | 237-21 | 1 | O-Ring |
| 9 | 340-98 | 2 | Fitting-Elbow, 90 DEG | 28 | 354-136 | 1 | Fitting-STR |
| 9:1 | 237-79 | 1 | O-Ring | 28:1 | 237-80 | 1 | O-Ring |
| 9:2 | 237-30 | 1 | O-Ring | 29 | 139-0792 | 2 | HYD Hose ASM |
| 13 | 354-73 | 1 | Fitting | 30 | AU112950 | 4 | Protector-Hose |
| 13:1 | 237-81 | 1 | O-Ring | 32 | 115-8886 | 1 | Nipple-Test |
| 14 | 340-138 | 1 | Fitting-HYD, 45 DEG | 33 | 3290-378 | 12 | Tie-Cable |
| 14:1 | 237-79 | 1 | O-Ring | 34 | 140-5878 | 1 | Hose ASM |
| 14:2 | 237-22 | 1 | O-Ring | 35 | 140-5877 | 1 | Hose ASM |
| 15 | 133-0226 | 2 | Hose-HYD | 36 | 92-2745 | 1 | Elbow-90 |
| 16 | 130-7734 | 2 | Hose-HYD | 36:1 | 237-21 | 1 | O-Ring |
| 17 | 139-0789 | 2 | HYD Hose ASM | 37 | 340-151 | 1 | Fitting-Tee |
| 19 | 139-0790 | 1 | HYD Hose ASM | 37:1 | 237-21 | 2 | O-Ring |
| 20 | 139-0791 | 1 | HYD Hose ASM | 38 | 354-79 | 1 | Cap-Dust |

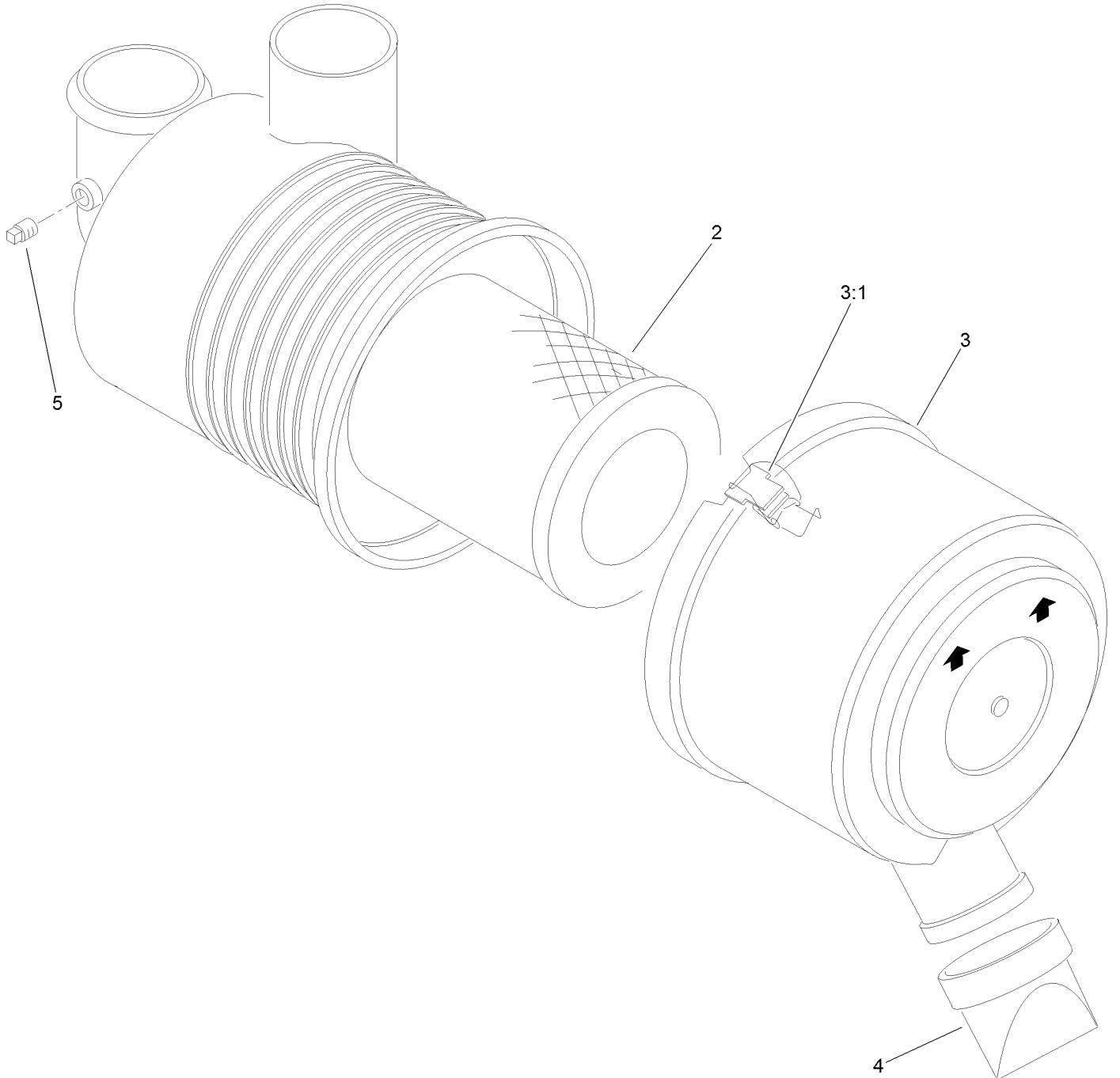
Radiator and Air Cleaner Assembly



Radiator and Air Cleaner Assembly (continued)

| <i>Ref.</i> | <i>Part Number</i> | <i>Qty.</i> | <i>Description</i> | <i>Ref.</i> | <i>Part Number</i> | <i>Qty.</i> | <i>Description</i> |
|-------------|--------------------|-------------|----------------------------------|-------------|--------------------|-------------|------------------------|
| 1 | 144-7364 | 1 | Cooling ASM, Kirkland | 22 | 321-2 | 2 | Screw-HH |
| 1:1 | 144-7368 | 1 | Cap, Radiator | 24 | 130-0952 | 1 | Hose-Air, Inlet |
| 2 | 131-9256 | 1 | Shroud-Fan | 26 | 1-643163 | 1 | Tank-Overflow |
| 3 | 125-0377-03 | 1 | Bracket | 27 | 1-643164 | 1 | Cap-Tank, Overflow |
| 4 | 93-2191 | 1 | Air Cleaner Mounting Band ASM | 28 | 46-6560 | 1 | Bushing |
| 4:2 | 94-3653 | 1 | Bolt | 29 | 46-6550 | 1 | Fitting-Elbow, 90 DEG |
| 4:3 | 94-3654 | 1 | Spring | 31 | 115-4865 | 1 | Decal-Fill, Radiator |
| 4:4 | 48-9510 | 1 | Nut | 32 | 3256-22 | 5 | Washer-Flat |
| 5 | 93-2190 | 1 | Air Cleaner ASM | 33 | 108-6344 | 1 | Hose-LP |
| 9 | 2412-92 | 3 | Clamp-Hose | 34 | 2412-80 | 1 | Clamp-Hose |
| 10 | 112-2386 | 1 | Hose-Fuel | 35 | 93-7814 | 1 | Decal-Danger |
| 11 | 92-2379 | 2 | Clamp-Hose | 36 | 93-6681 | 1 | Decal-Warning, Fan |
| 12 | 2412-34 | 4 | Clamp-Hose | 37 | 131-9214 | 1 | Guard-Air |
| 13 | 322-3 | 14 | Screw-HH | 38 | 131-9215 | 1 | Cover-Air |
| 14 | 32128-20 | 6 | Nut-HF | 39 | 131-8013 | 1 | Baffle-Heat |
| 15 | 3256-3 | 10 | Washer-Flat | 40 | 32144-44 | 6 | Screw-HWH, Thread Roll |
| 17 | 104-3563 | 1 | Indicator | 41 | 323-4 | 1 | Screw-HH |
| 17:1 | 94-1416 | 1 | Adapter-Indicator | 42 | 2412-107 | 1 | Clamp-R |
| 18 | 131-9173 | 1 | Hose-Intake, Engine | 43 | 3296-39 | 1 | Nut-Lock, NI |
| 19 | 136-4552 | 1 | Hose-Radiator | 44 | 138-0751 | 2 | Plate-Shim |
| 21 | 131-9153 | 1 | Hose-Radiator, Lower | 45 | 117-3276 | 1 | Decal-Danger |

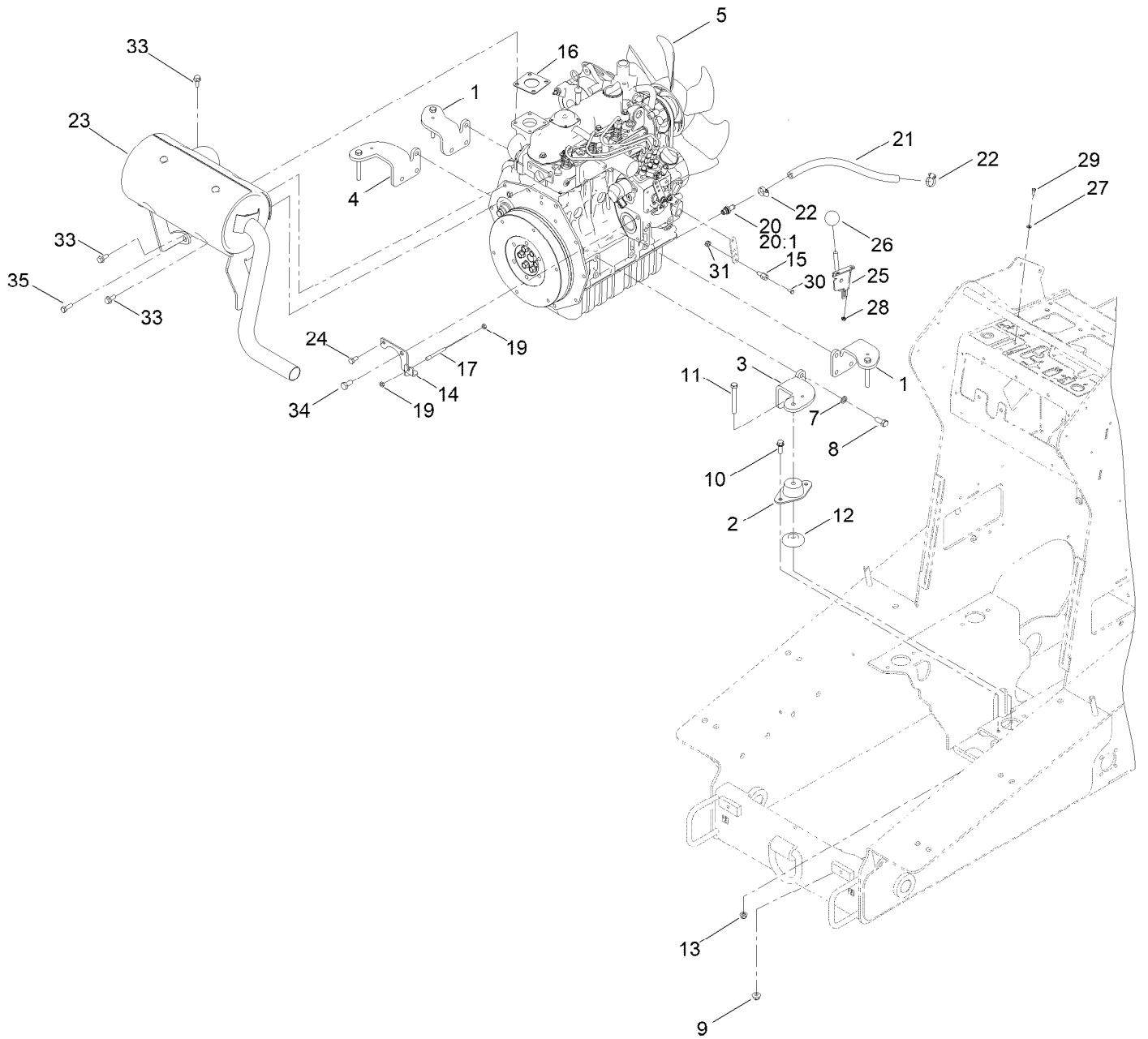
Air Cleaner Assembly No. 93-2190



Air Cleaner Assembly No. 93-2190 (continued)

| <i>Ref.</i> | <i>Part Number</i> | <i>Qty.</i> | <i>Description</i> | <i>Ref.</i> | <i>Part Number</i> | <i>Qty.</i> | <i>Description</i> |
|-------------|--------------------|-------------|--------------------|-------------|--------------------|-------------|--------------------|
| 2 | 108-3811 | 1 | Filter-Air | 4 | 87-9400 | 1 | Valve-Vacuator |
| 3 | 94-3652 | 1 | Cover ASM | 5 | 285-17 | 1 | Plug-Pipe |
| 3:1 | 1-643283 | 2 | Latch-Cleaner, Air | | | | |

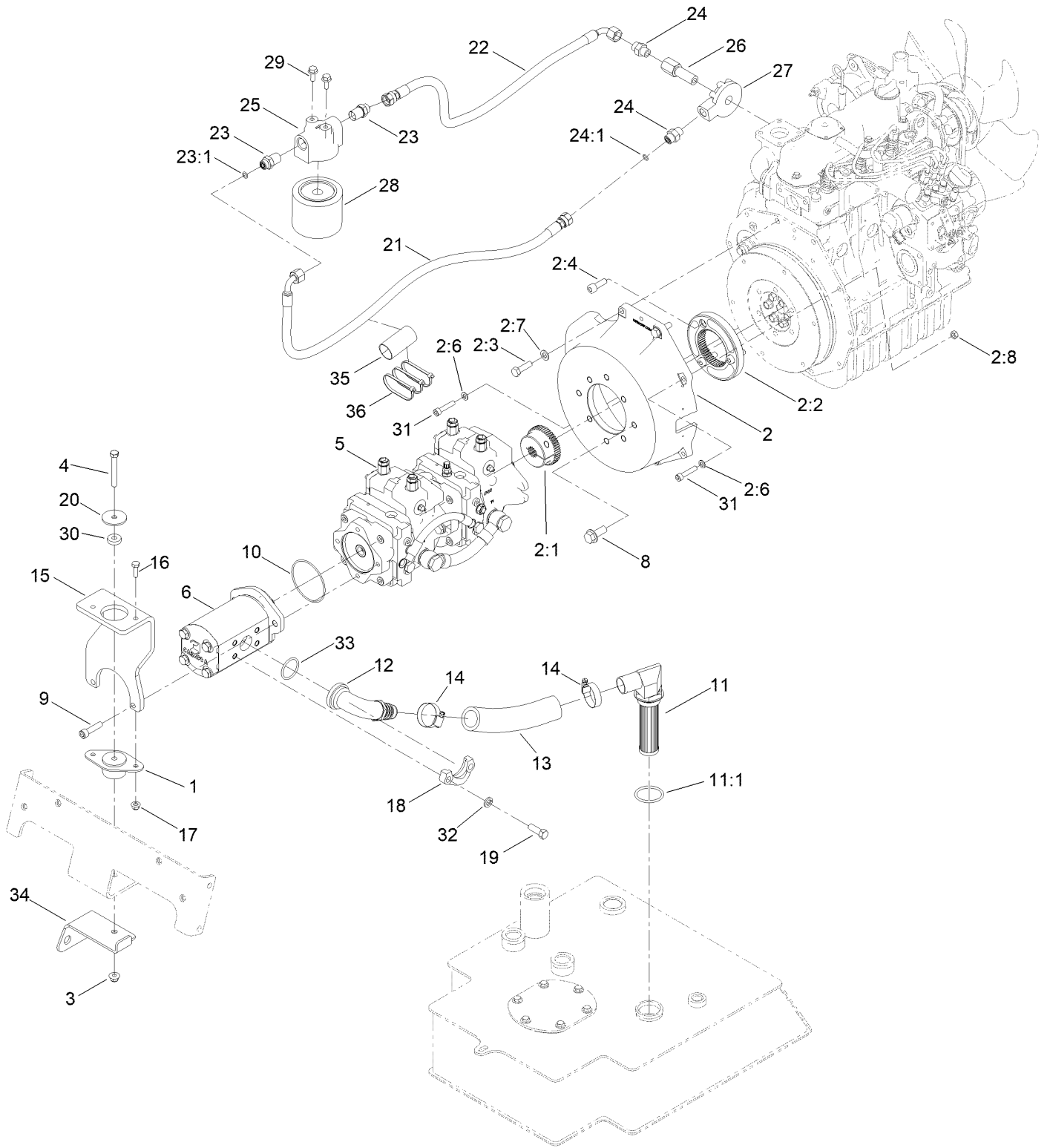
Engine and Muffler Assembly



Engine and Muffler Assembly (continued)

| <i>Ref.</i> | <i>Part Number</i> | <i>Qty.</i> | <i>Description</i> | <i>Ref.</i> | <i>Part Number</i> | <i>Qty.</i> | <i>Description</i> |
|-------------|--------------------|-------------|----------------------|-------------|--------------------|-------------|--------------------|
| 1 | 115-8066-0P | 2 | Mount-Engine | 20 | 139-7317 | 1 | Fitting-Barb |
| 2 | 121-9076 | 4 | Mount-Engine | 20:1 | 140-1983 | 1 | Seal-Oring |
| 3 | 115-8068-0P | 1 | Mount-Engine, LH | 21 | 138-0830 | 1 | Hose-Oil Drain |
| 4 | 115-8063-0P | 1 | Mount-Engine RH | 22 | 2412-36 | 2 | Clamp-Hose |
| 5 | 138-6911 | 1 | Engine-Kubota, D1305 | 23 | 138-0753 | 1 | Muffler |
| 7 | 48-9590 | 12 | Washer-Lock | 24 | 33114-016 | 1 | Screw-HH |
| 8 | 43-0090 | 12 | Screw-HH | 25 | 108-9730 | 1 | Lever-Control |
| 9 | 104-8301 | 4 | Nut-HF, NI | 26 | 233-42 | 1 | Knob |
| 10 | 3234-29 | 8 | Screw-HHF | 27 | 3256-51 | 2 | Washer-Flat |
| 11 | 323-14 | 4 | Screw-HH | 28 | 32149-7 | 2 | Nut-Keps |
| 12 | 138-6462 | 4 | Support-Isolator | 29 | 3290-134 | 2 | Screw |
| 13 | 104-8300 | 8 | Nut-HF, NI | 30 | 25-8640 | 1 | Screw-HH |
| 14 | 130-1148-03 | 1 | Bracket-Throttle | 31 | 3296-20 | 1 | Nut-Lock, NI |
| 15 | 98-9311 | 1 | Swivel-Throttle | 33 | 33104-020 | 6 | Screw-HHF |
| 16 | 99-8343 | 1 | Gasket-Muffler | 34 | 63-7790 | 1 | Screw-Cap |
| 17 | 130-7743 | 1 | Cable-Throttle | 35 | 99-5131 | 1 | Bolt |
| 19 | 3220-1 | 2 | Nut-Jam | | | | |

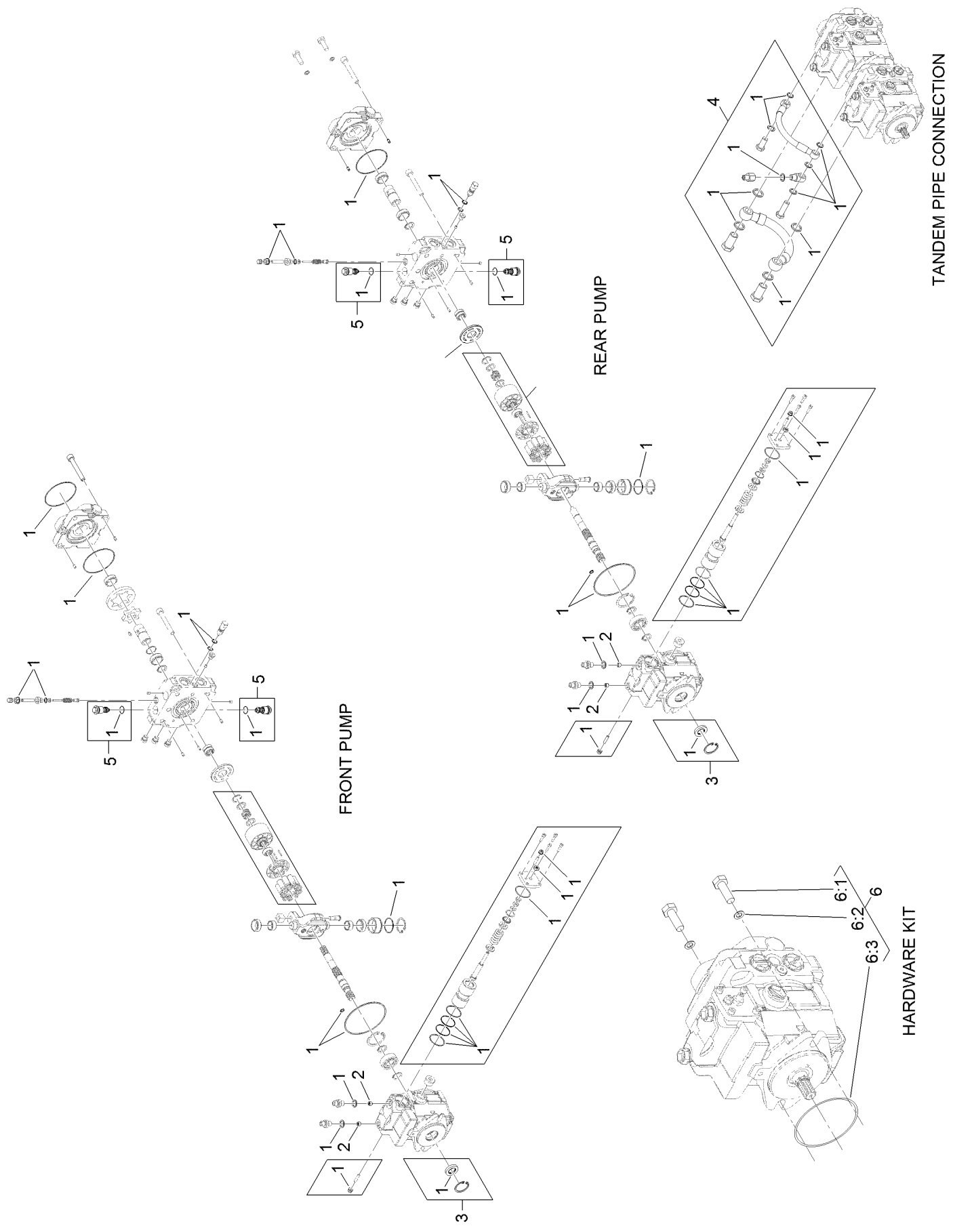
Tandem Pump and Gear Pump Assembly



Tandem Pump and Gear Pump Assembly (continued)

| <i>Ref.</i> | <i>Part Number</i> | <i>Qty.</i> | <i>Description</i> | <i>Ref.</i> | <i>Part Number</i> | <i>Qty.</i> | <i>Description</i> |
|-------------|--------------------|-------------|-----------------------|-------------|--------------------|-------------|--------------------|
| 1 | 121-9076 | 1 | Mount-Engine | 17 | 104-8300 | 2 | Nut-HF, NI |
| 2 | 138-0822 | 1 | Mount-Pump | 18 | 136-5794 | 2 | Flange |
| 2:1 | 130-7725 | 1 | Hub-Pump | 19 | 324-5 | 4 | Screw-HH |
| 2:2 | 125-1179 | 1 | Flange-Coupler | 20 | 63-7400 | 1 | Washer-Rebound |
| 2:3 | 56-2140 | 2 | Screw-HH | 21 | 139-0793 | 1 | HYD Hose ASM |
| 2:4 | 108-1420 | 3 | Screw-HSH | 22 | 139-0794 | 1 | HYD Hose ASM |
| 2:6 | 115-7370 | 4 | Washer-Plain | 23 | 136-5838 | 2 | Fitting-HYD |
| 2:7 | 33095-00 | 2 | Washer-Flat | 23:1 | 237-22 | 1 | O-Ring |
| 2:8 | 33014-00 | 1 | Nut-Hex | 24 | 130-7716 | 2 | Fitting-HYD |
| 3 | 104-8301 | 1 | Nut-HF, NI | 24:1 | 237-22 | 1 | O-Ring |
| 4 | 323-13 | 1 | Screw-HH | 25 | 130-7588 | 1 | Base-Filter |
| 5 | 138-0767 | 1 | Pump-Tandem | 26 | 130-7587 | 1 | Pipe-Joint |
| 6 | 130-7731 | 1 | Pump-Gear | 27 | 130-7586 | 1 | Base-Filter |
| 8 | 3234-38 | 2 | Screw-HHF | 28 | 104-5169 | 1 | Filter-Oil |
| 9 | 09718 | 2 | Screw-Sh | 29 | 33104-020 | 2 | Screw-HHF |
| 10 | 353-949 | 1 | O-Ring | 30 | 62-6660 | 1 | Spacer |
| 11 | 145-0622 | 1 | Strainer Fitting ASM | 31 | 131-0197 | 1 | Screw-HSH |
| 11:1 | 237-101 | 1 | O-Ring | 32 | 3253-6 | 4 | Washer-Lock |
| 12 | 112-7374 | 1 | Fitting | 33 | 115-5420 | 1 | O-Ring |
| 13 | 130-7561 | 1 | Hose-Suction | 34 | 138-0790-0P | 1 | Bracket-Bulkhead |
| 14 | 2412-111 | 2 | Clamp-Hose, W/Liner | 35 | AU112950 | 1 | Protector-Hose |
| 15 | 138-0231-03 | 1 | Bracket-Support, Pump | 36 | 3290-378 | 3 | Tie-Cable |
| 16 | 322-5 | 2 | Screw-HH | | | | |

Tandem Pump Assembly No. 138-0767

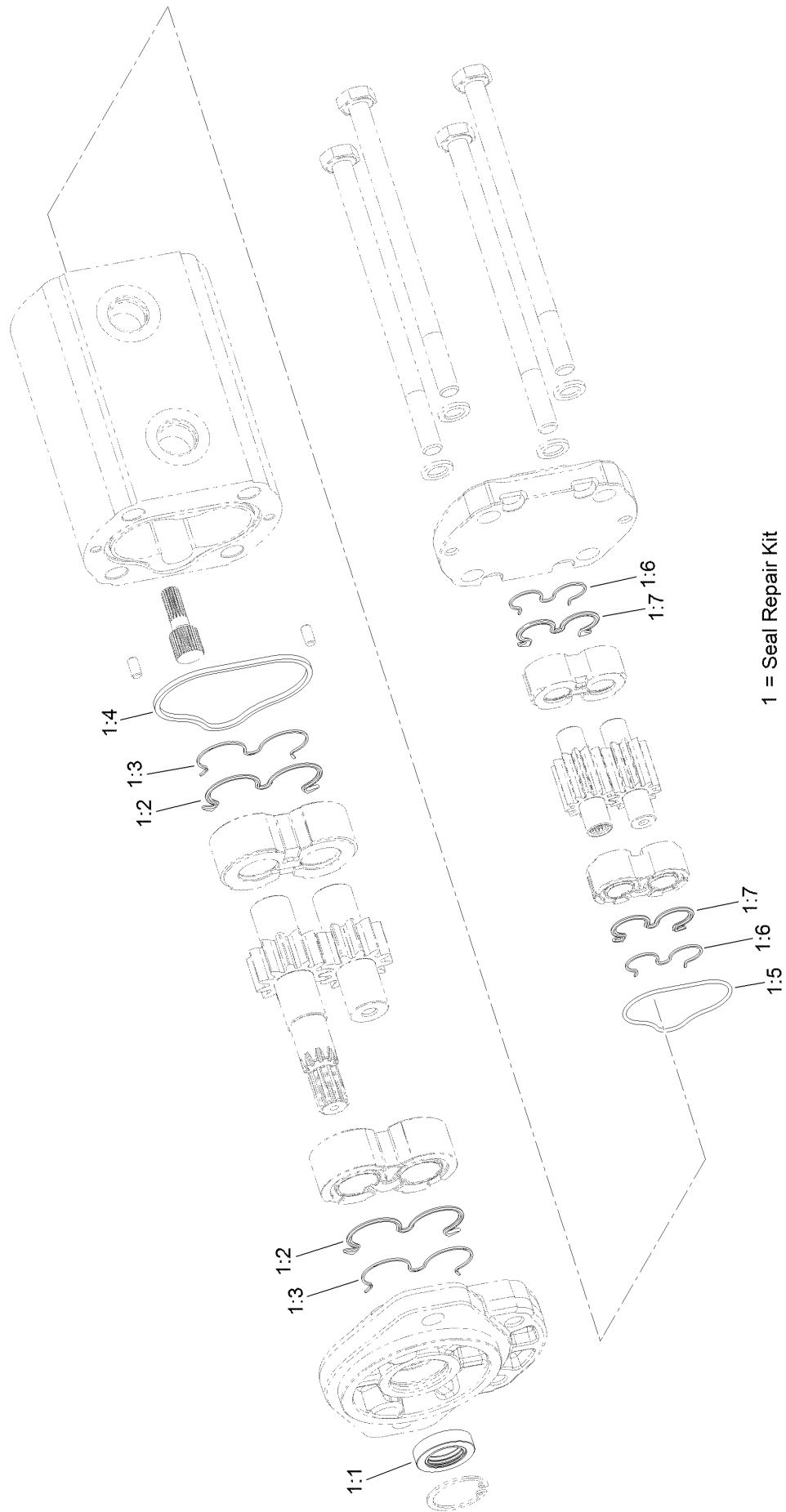


Tandem Pump Assembly No. 138-0767 (continued)

| <i>Ref.</i> | <i>Part Number</i> | <i>Qty.</i> | <i>Description</i> | <i>Ref.</i> | <i>Part Number</i> | <i>Qty.</i> | <i>Description</i> |
|-------------|--------------------|-------------|----------------------------|-------------|--------------------|-------------|--------------------|
| 1 | 132-6041 | 2 | Seal Kit | 6 | 140-5300 | 1 | Hardware Kit |
| 2 | 132-6042 | 4 | Spacer-Jet | 6:1 | | 2 | Bolt-Hex ● |
| 3 | 132-6045 | 1 | Shaft Seal Kit | 6:2 | | 2 | Washer ● |
| 4 | 132-6047 | 1 | Tandem Connection Pipe Kit | 6:3 | | 1 | O-Ring ● |
| 5 | 138-0781 | 4 | Valve-Relief | | | | |

● Not serviced separately

Gear Pump Assembly No. 130-7731

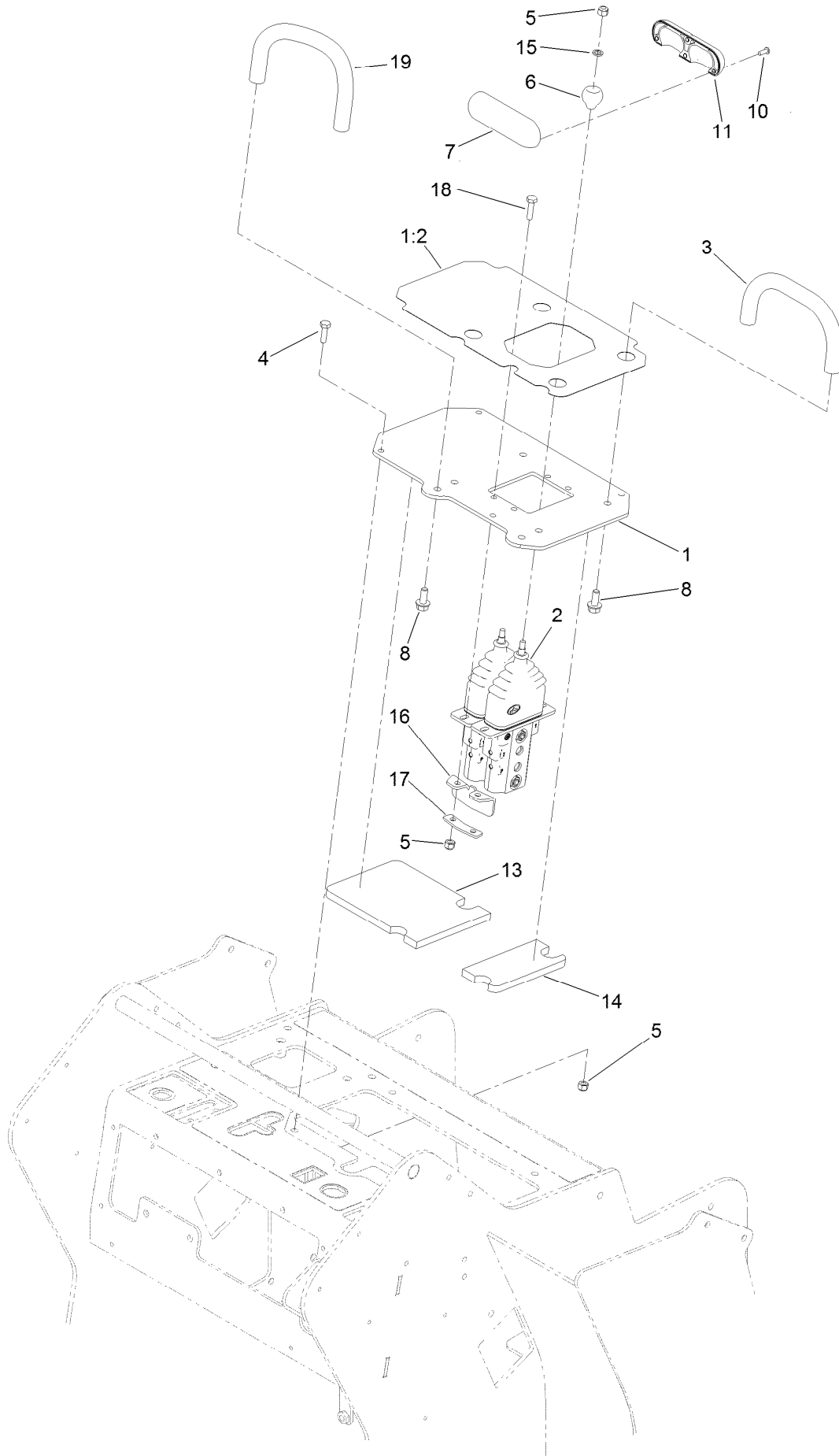


Gear Pump Assembly No. 130-7731 (continued)

| <i>Ref.</i> | <i>Part Number</i> | <i>Qty.</i> | <i>Description</i> | <i>Ref.</i> | <i>Part Number</i> | <i>Qty.</i> | <i>Description</i> |
|-------------|--------------------|-------------|--------------------|-------------|--------------------|-------------|--------------------|
| 1 | 132-6028 | 1 | Seal Kit | 1:4 | | 1 | Seal-Square ● |
| 1:1 | | 1 | Seal-Shaft ● | 1:5 | | 1 | O-Ring ● |
| 1:2 | | 2 | Seal-Gear ● | 1:6 | | 2 | Ring-Backup ● |
| 1:3 | | 2 | Ring-Backup ● | 1:7 | | 2 | Seal-Gear, Rear ● |

● Not serviced separately

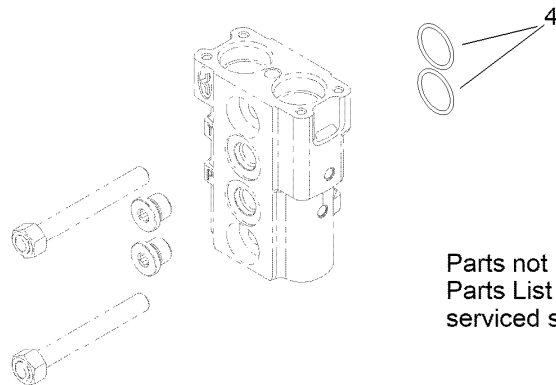
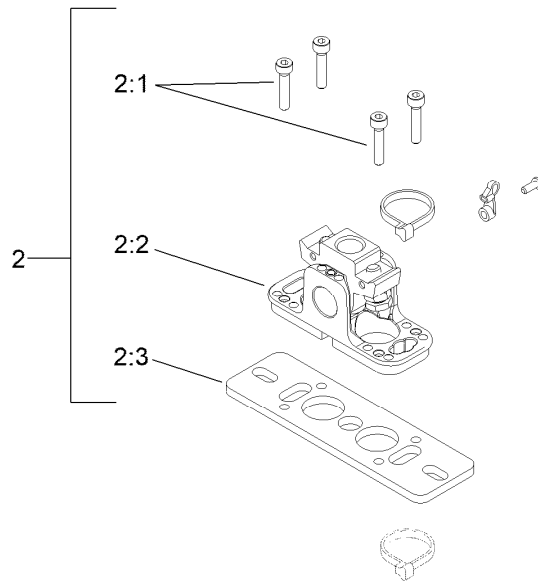
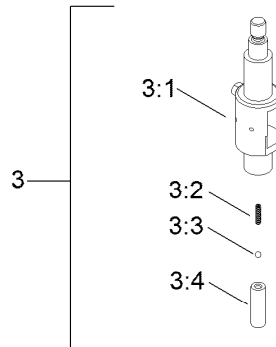
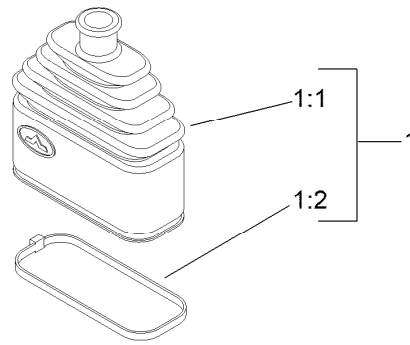
Control Valve and Reference Bar Assembly



Control Valve and Reference Bar Assembly (continued)

| <i>Ref.</i> | <i>Part Number</i> | <i>Qty.</i> | <i>Description</i> | <i>Ref.</i> | <i>Part Number</i> | <i>Qty.</i> | <i>Description</i> |
|-------------|--------------------|-------------|--------------------------|-------------|--------------------|-------------|--------------------|
| 1 | 130-5321 | 1 | Plate-Control | 10 | 94-6961 | 4 | Screw |
| 1:2 | 131-0708 | 1 | Decal-Control Panel | 11 | 131-9162 | 1 | Handle-Traction |
| 2 | 138-0827 | 1 | Valve-Control (Traction) | 13 | 132-8414 | 1 | Foam-Shield, Heat |
| 3 | 112-2620 | 1 | Bar-Reference | 14 | 132-8415 | 1 | Foam-Shield, Heat |
| 4 | 321-5 | 6 | Screw-HH | 15 | 75-5470 | 2 | Spacer-Bearing |
| 5 | 3296-42 | 10 | Nut-Lock, NI | 16 | 133-1642 | 1 | Cover-Rubber |
| 6 | 130-7723 | 2 | Ball-Traction | 17 | 133-1641 | 1 | Plate-Clamp |
| 7 | 130-7692 | 1 | Handle-Control | 18 | 321-6 | 2 | Screw-HH |
| 8 | 3234-5 | 4 | Screw-HHF | 19 | 138-0791 | 1 | Bar-Reference |

Control Valve Assembly No. 138-0827



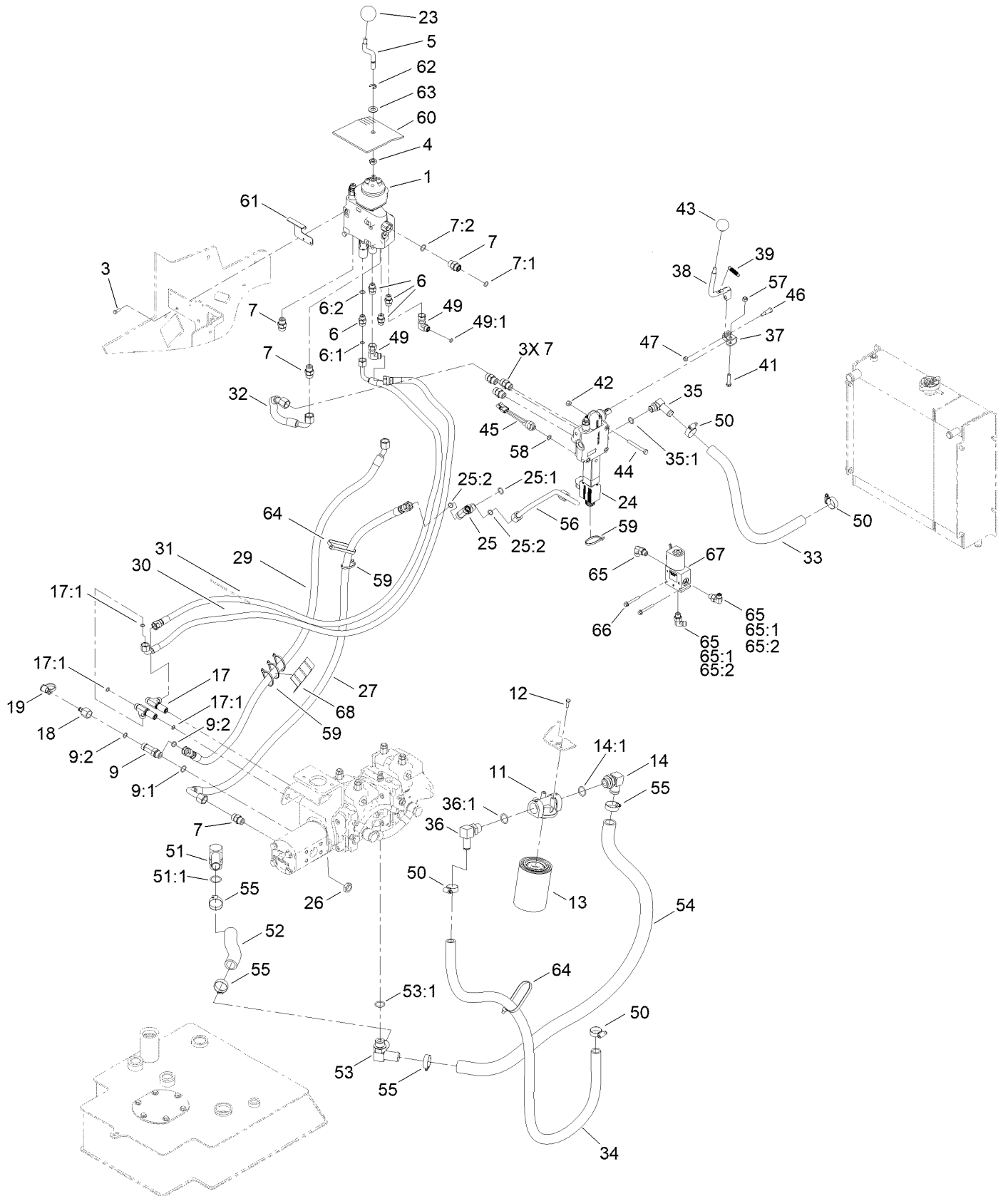
Parts not listed in
Parts List are not
serviced separately

Control Valve Assembly No. 138-0827 (continued)

| <i>Ref.</i> | <i>Part Number</i> | <i>Qty.</i> | <i>Description</i> | <i>Ref.</i> | <i>Part Number</i> | <i>Qty.</i> | <i>Description</i> |
|-------------|--------------------|-------------|--------------------|-------------|--------------------|-------------|-------------------------|
| 1 | 132-6034 | 2 | Bellow Kit | 3 | 132-6037 | 2 | Switch Holder Lever Kit |
| 1:1 | | 1 | Bellow-Rubber ● | 3:1 | | 1 | Lever-Holder, Switch ● |
| 1:2 | | 1 | Tie-Cable ● | 3:2 | | 1 | Spring-Return ● |
| 2 | 132-6036 | 2 | Fulcrum Kit | 3:3 | | 1 | Sphere ● |
| 2:1 | | 4 | Screw ● | 3:4 | | 1 | Holder-Spring ● |
| 2:2 | | 1 | Support Kit ● | 4 | 100-7246 | 2 | O-Ring |
| 2:3 | | 1 | Plate-Mounting ● | | | | |

● Not serviced separately

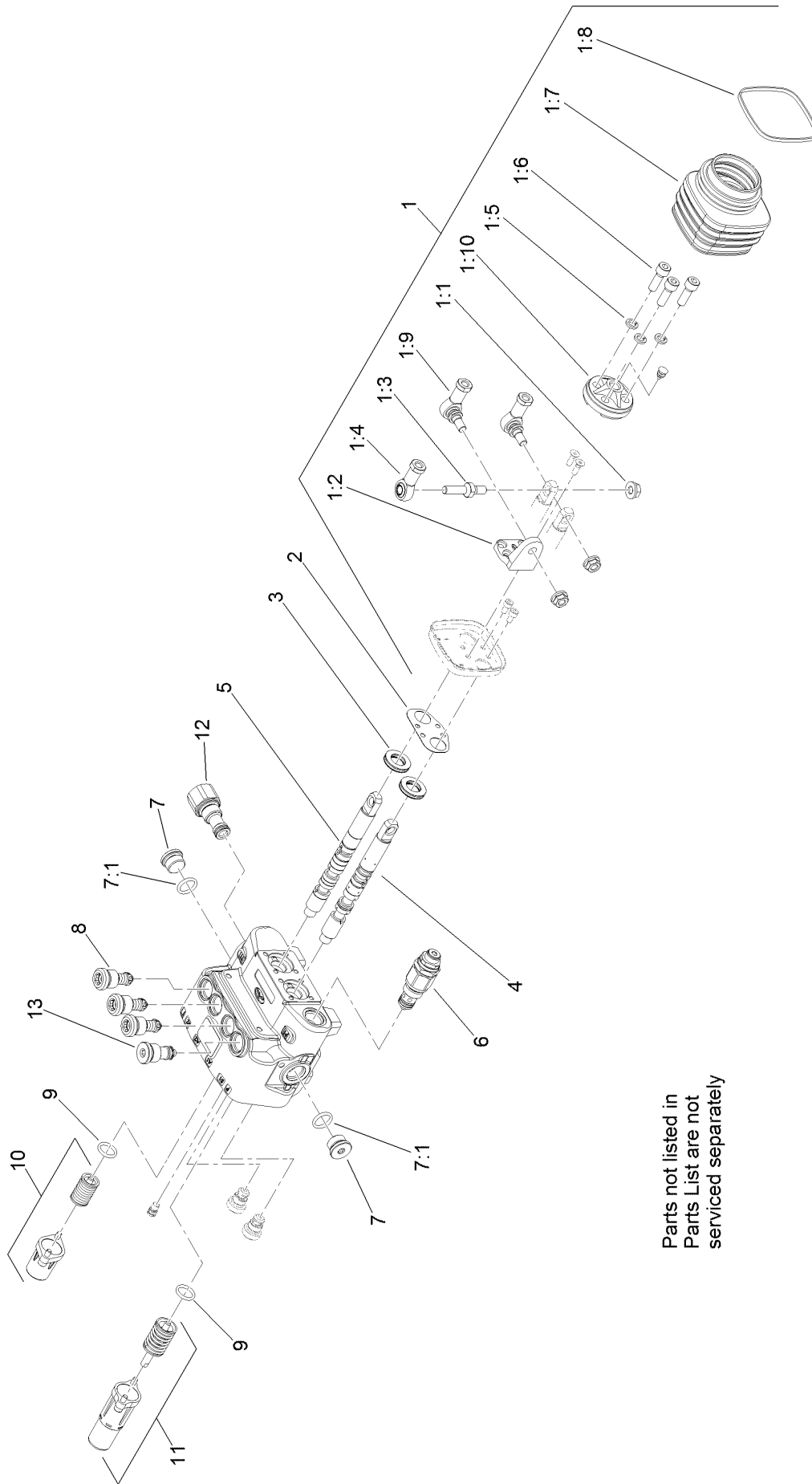
2-Spool Valve and Auxiliary Valve Assembly



2-Spool Valve and Auxiliary Valve Assembly (continued)

| <i>Ref.</i> | <i>Part Number</i> | <i>Qty.</i> | <i>Description</i> | <i>Ref.</i> | <i>Part Number</i> | <i>Qty.</i> | <i>Description</i> |
|-------------|--------------------|-------------|---------------------------|-------------|--------------------|-------------|-----------------------|
| 1 | 144-7353 | 1 | Valve-2 Spool | 36 | 353-987 | 1 | Fitting-Elbow, 90 |
| 3 | 322-4 | 3 | Screw-HH | 36:1 | 237-81 | 1 | O-Ring |
| 4 | 51-2070 | 1 | Nut | 37 | 133-0235 | 1 | Bracket-Auxiliary |
| 5 | 131-8025 | 1 | Shaft-Handle, Lift/Tilt | 38 | 131-9277 | 1 | Handle ASM |
| 6 | 340-2 | 4 | Fitting-Straight | 39 | 114-0249 | 1 | Spring-Extension |
| 6:1 | 237-22 | 1 | O-Ring | 41 | 33114-035 | 1 | Screw-HH |
| 6:2 | 237-42 | 1 | O-Ring | 42 | 3296-29 | 3 | Nut-Lock, NI |
| 7 | 340-4 | 7 | Fitting-Straight | 43 | 233-42 | 1 | Knob |
| 7:1 | 237-30 | 1 | O-Ring | 44 | 322-13 | 3 | Screw-HH |
| 7:2 | 237-79 | 1 | O-Ring | 45 | 72-4310 | 1 | Switch-Ball |
| 9 | 340-109 | 1 | Fitting-Tee | 46 | 119-2309 | 1 | Bolt-Shoulder |
| 9:1 | 237-79 | 1 | O-Ring | 47 | 3296-42 | 1 | Nut-Lock, NI |
| 9:2 | 237-30 | 2 | O-Ring | 49 | 340-159 | 2 | Elbow-90 |
| 11 | 92-5821 | 1 | Head-Filter | 49:1 | 237-22 | 2 | O-Ring |
| 12 | 321-4 | 2 | Screw-HH | 50 | 2412-129 | 4 | Clamp-Hose |
| 13 | 86-3010 | 2 | Filter-Oil | 51 | 56-9530 | 1 | Fitting-HYD, 90 DEG |
| 14 | 100-4202 | 1 | Fitting-90 | 51:1 | 237-117 | 1 | O-Ring |
| 14:1 | 237-81 | 1 | O-Ring | 52 | 127-9627 | 1 | Hose-Suction |
| 17 | 340-68 | 2 | Fitting-Tee, Bulkhead | 53 | AU375462A1 | 1 | Connector |
| 17:1 | 237-22 | 3 | O-Ring | 53:1 | 237-81 | 1 | O-Ring |
| 18 | 100-5616 | 1 | Fitting | 54 | 127-9626 | 1 | Hose-Return |
| 19 | 354-79 | 1 | Cap-Dust | 55 | 2412-34 | 4 | Clamp-Hose |
| 23 | 233-21 | 1 | Knob | 56 | 131-9226 | 1 | Hydraulic Tube ASM |
| 24 | 145-4402 | 1 | Valve- Aux, Double Detent | 57 | 33024-00 | 1 | Nut-Lock, NI |
| 25 | 340-157 | 1 | Fitting-HYD, Tee | 58 | 237-42 | 1 | O-Ring |
| 25:1 | 237-79 | 1 | O-Ring | 59 | 3290-378 | 5 | Tie-Cable |
| 25:2 | 237-30 | 2 | O-Ring | 60 | 131-8011 | 1 | Deflector-Air |
| 26 | 340-70 | 4 | Nut-Lock | 61 | 131-8012 | 1 | Bracket-Deflector |
| 27 | 139-0795 | 1 | HYD Hose ASM | 62 | 32151-68 | 1 | Ring-Retaining |
| 29 | 139-0796 | 1 | HYD Hose ASM | 63 | 110-6894 | 1 | Washer-Pivot |
| 30 | 139-0797 | 1 | HYD Hose ASM | 64 | 3334-945 | 2 | Tie-Cable |
| 31 | 139-0798 | 1 | HYD Hose ASM | 65 | 340-82 | 3 | Fitting-Elbow, 90 DEG |
| 32 | 139-0799 | 1 | HYD Hose ASM | 65:1 | 237-42 | 1 | O-Ring |
| 33 | 130-7565 | 1 | Hose-Return | 65:2 | 237-21 | 1 | O-Ring |
| 34 | 130-7566 | 1 | Hose-Return | 66 | 3234-34 | 2 | Screw-HHF |
| 35 | 353-954 | 1 | Fitting-Elbow, 90 | 67 | 158-627 | 1 | Solenoid Valve |
| 35:1 | 237-79 | 1 | O-Ring | 68 | AU112950 | 2 | Protector-Hose |

2-Spool Valve Assembly No. 144-7353

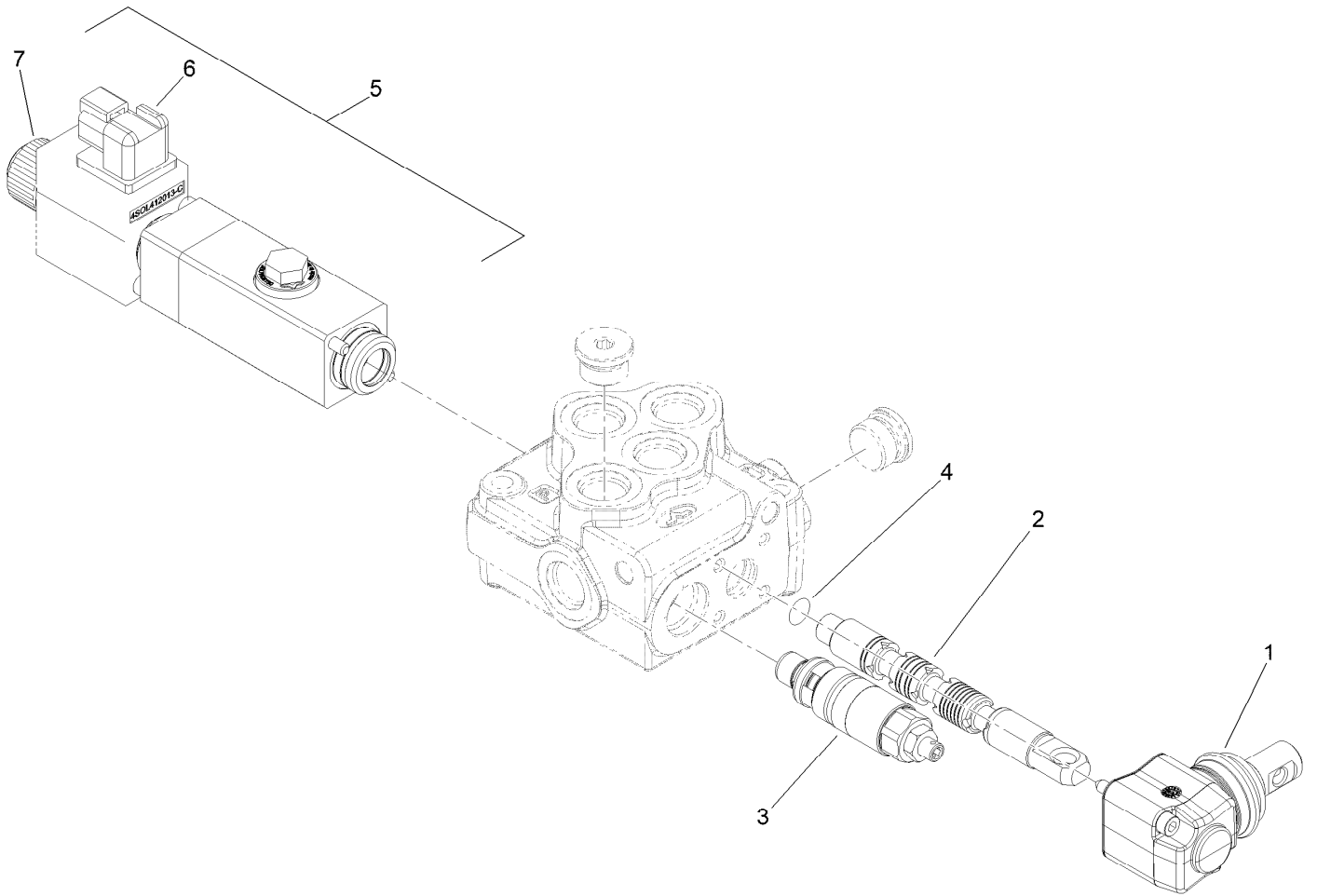


Parts not listed in
Parts List are not
serviced separately

2-Spool Valve Assembly No. 144-7353 (continued)

| <i>Ref.</i> | <i>Part Number</i> | <i>Qty.</i> | <i>Description</i> | <i>Ref.</i> | <i>Part Number</i> | <i>Qty.</i> | <i>Description</i> |
|-------------|--------------------|-------------|---------------------|-------------|--------------------|-------------|--------------------|
| 1 | 106-7724 | 1 | Joystick Kit | 3 | 106-7738 | 2 | Seal-Valve, Spool |
| 1:1 | 98-0668 | 3 | Nut | 4 | 144-7350 | 1 | Spool - Valve |
| 1:2 | 106-7726 | 1 | Pivot-Joystick | 5 | 106-7736 | 1 | Spool-Valve |
| 1:3 | 106-7727 | 1 | Pin-Joystick | 6 | 132-6031 | 1 | Valve-Relief, Main |
| 1:4 | 106-7728 | 1 | End-Rod | 7 | 353-988 | 2 | Plug-Hex |
| 1:5 | 42-9850 | 3 | Washer-Lock, Spring | 7:1 | 237-79 | 1 | O-Ring |
| 1:6 | 98-5828 | 3 | Screw-HSH | 8 | 106-7734 | 3 | Valve-Relief |
| 1:7 | 106-7729 | 1 | Bellow-Rubber | 9 | 106-7719 | 2 | Seal-Valve |
| 1:8 | 3290-379 | 1 | Tie-Cable | 10 | 106-7732 | 1 | Valve Spring Kit |
| 1:9 | 106-7730 | 2 | Joint-Joystick | 11 | 106-7733 | 1 | Detent Spring Kit |
| 1:10 | 106-7731 | 1 | Holder-Articulated | 12 | 132-6032 | 1 | Joint-SAE 8 |
| 2 | 106-7725 | 1 | Seal-Joystick | 13 | 132-6033 | 1 | Plug |

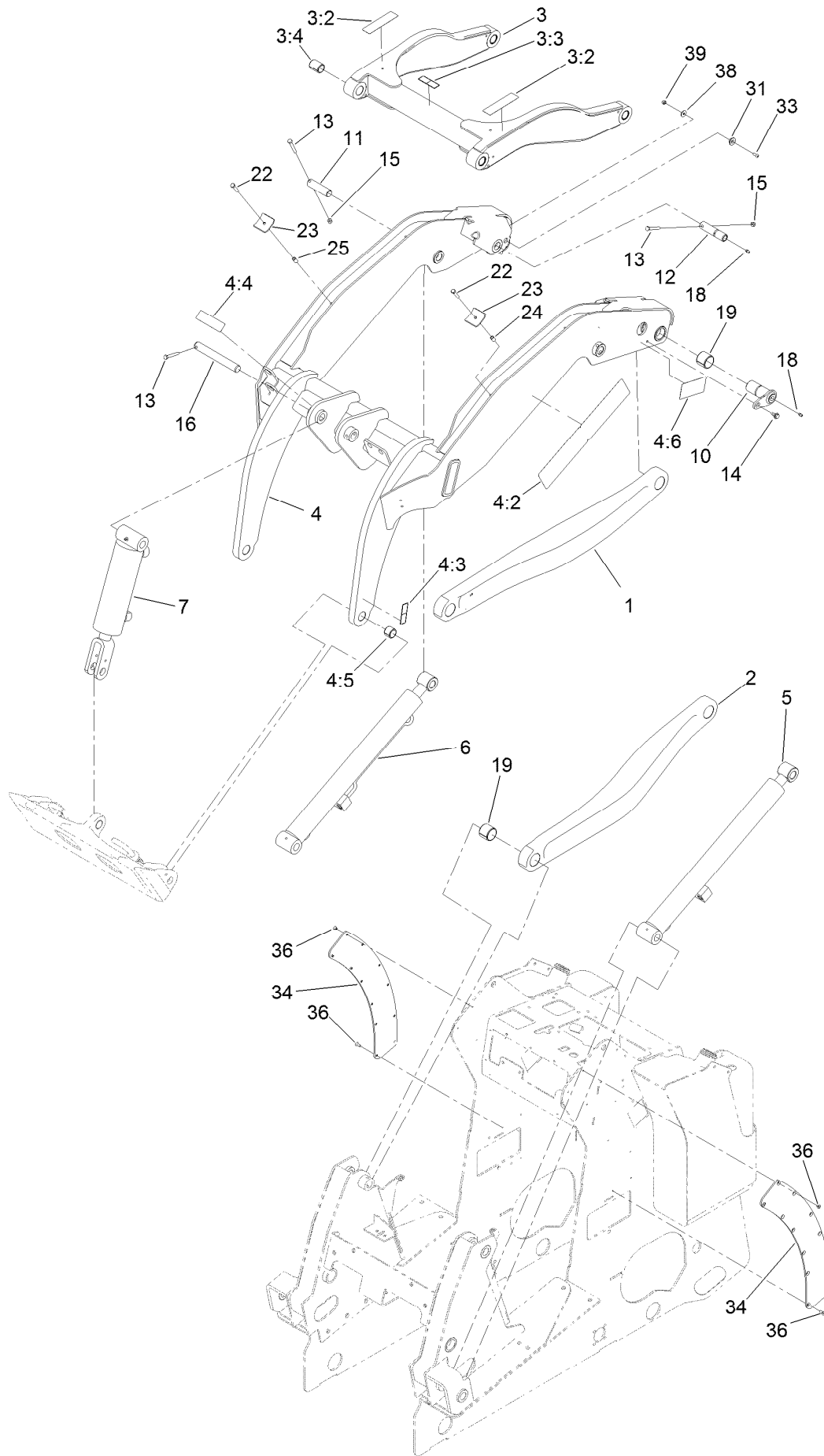
Double Detent Auxiliary Valve Assembly No. 145-4402



Double Detent Auxiliary Valve Assembly No. 145-4402 (continued)

| <i>Ref.</i> | <i>Part Number</i> | <i>Qty.</i> | <i>Description</i> | <i>Ref.</i> | <i>Part Number</i> | <i>Qty.</i> | <i>Description</i> |
|-------------|--------------------|-------------|-------------------------|-------------|--------------------|-------------|----------------------------|
| 1 | 132-6038 | 1 | Lever Kit (With Screws) | 5 | 145-4404 | 1 | Kit-Valve, Spring/Coil ASM |
| 2 | 145-4403 | 1 | Spool-Valve | 6 | 136-5811 | 1 | Coil-Valve |
| 3 | 132-6039 | 1 | Valve-Relief | 7 | 145-4405 | 1 | Pull Tube, Valve |
| 4 | 106-7719 | 1 | Seal-Valve | | | | |

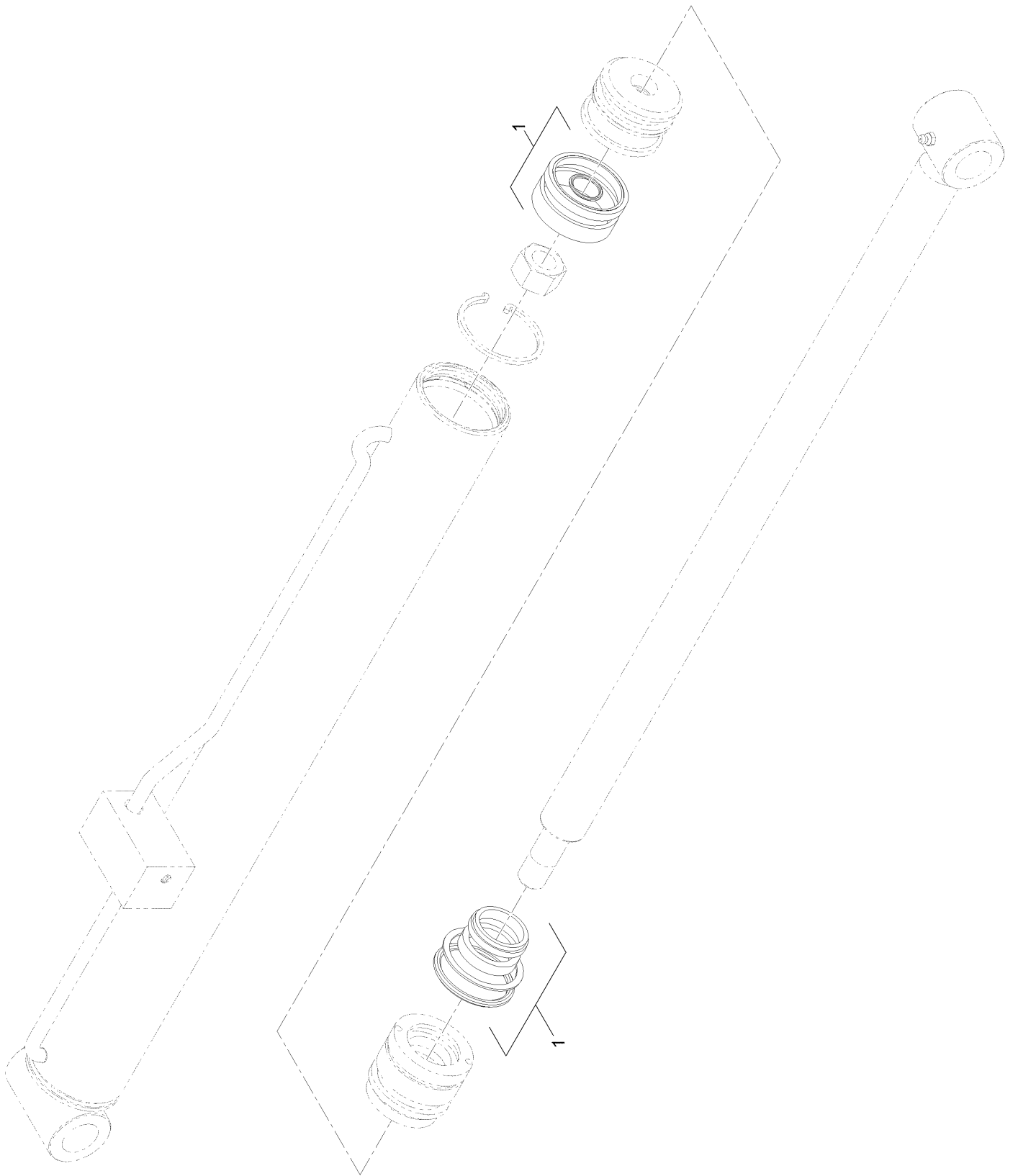
Loader Arm Assembly



Loader Arm Assembly (continued)

| <i>Ref.</i> | <i>Part Number</i> | <i>Qty.</i> | <i>Description</i> | <i>Ref.</i> | <i>Part Number</i> | <i>Qty.</i> | <i>Description</i> |
|-------------|--------------------|-------------|-------------------------|-------------|--------------------|-------------|----------------------|
| 1 | 130-5151-03 | 1 | Link-Lower, LH | 12 | 125-3695 | 2 | Pin-Link |
| 2 | 130-5153-03 | 1 | Link-Lower, RH | 13 | 3274-40 | 5 | Screw-HSH |
| 3 | 130-5318 | 1 | Link-Upper | 14 | 99-5105 | 2 | Screw-Shoulder |
| 3:2 | 130-2836 | 2 | Decal-Warning, Crushing | 15 | 3296-29 | 4 | Nut-Lock, NI |
| 3:3 | 120-0625 | 1 | Decal-Warning | 16 | 130-5210 | 1 | Pin-Locking |
| 3:4 | 130-5200 | 4 | Bushing-Spring | 18 | 302-5 | 4 | Fitting-Grease |
| 4 | 131-8024 | 1 | Arm-Loader | 19 | 130-5199 | 4 | Bushing-Spring |
| 4:2 | 133-0216 | 2 | Decal-Tx1000, | 22 | 5-1470 | 4 | Screw-HH |
| 4:3 | 120-0625 | 2 | Decal-Warning | 23 | 130-5221 | 4 | Plate-Holddown, Hose |
| 4:4 | 115-4855 | 1 | Decal-Caution | 24 | 131-9150 | 2 | Spacer-Hose |
| 4:5 | 98-4871 | 2 | Bushing-Tension | 25 | 131-9151 | 2 | Spacer-Hose |
| 4:6 | 131-0711 | 2 | Decal-Warning | 31 | 133-1666 | 2 | Guide |
| 5 | 139-0781 | 1 | CYL-HYD LH | 33 | 3274-31 | 2 | Screw-HSBH |
| 6 | 139-0780 | 1 | CYL-HYD RH | 34 | 131-0596 | 2 | Pad-Wear, Frame |
| 7 | 139-0779 | 1 | CYL-HYD | 36 | ST80422 | 16 | Screw |
| 10 | 136-4708 | 2 | Pin-Pivot | 38 | 87-6630 | 2 | Washer-Plain |
| 11 | 130-5178 | 2 | Pin-Pivot | 39 | 3296-42 | 2 | Nut-Lock, NI |

Hydraulic Cylinder Assembly No. 139-0781

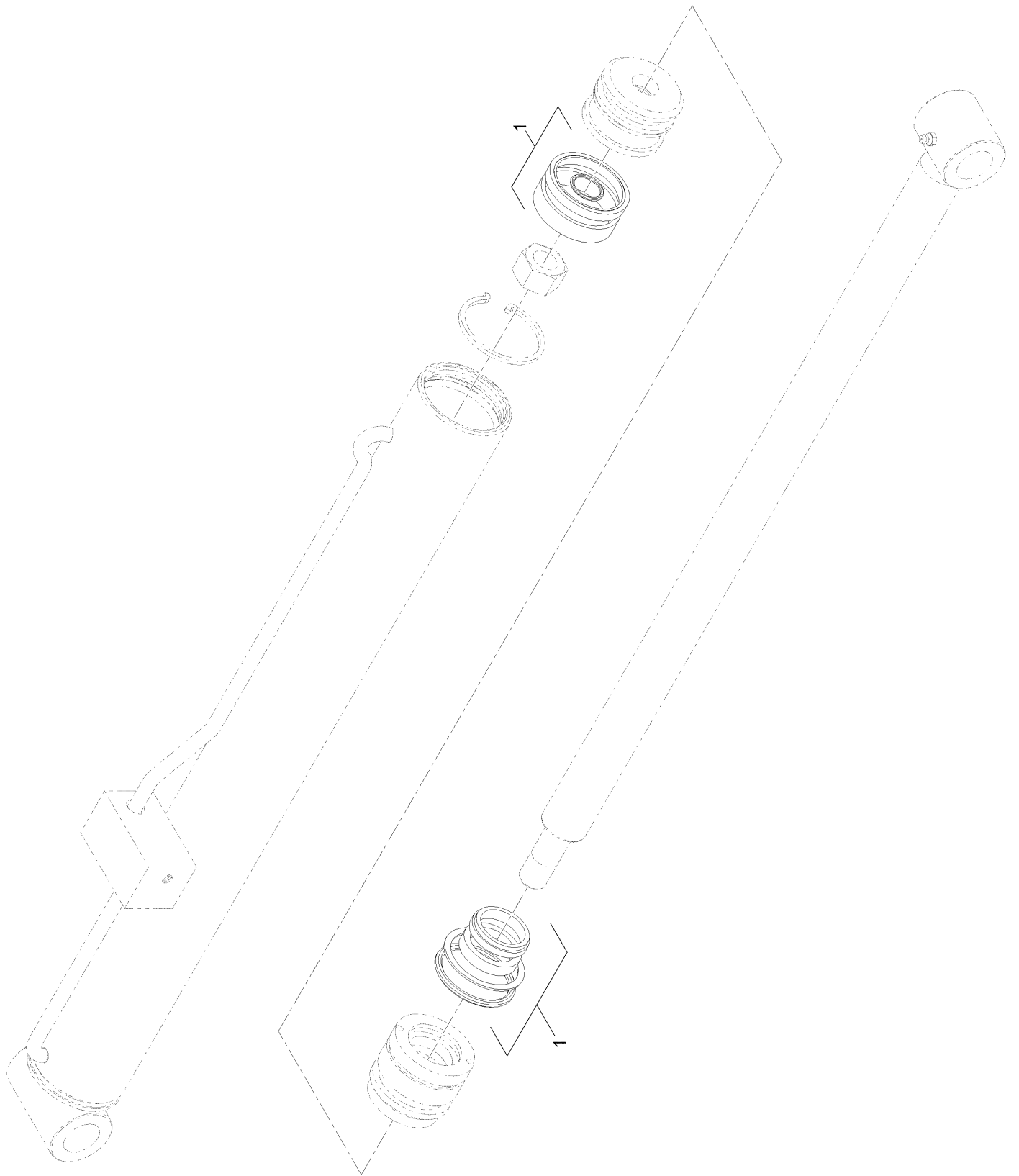


Hydraulic Cylinder Assembly No. 139-0781 (continued)

| <i>Ref.</i> | <i>Part Number</i> | <i>Qty.</i> | <i>Description</i> | <i>Ref.</i> | <i>Part Number</i> | <i>Qty.</i> | <i>Description</i> |
|-------------|--------------------|-------------|---------------------------|-------------|--------------------|-------------|-----------------------------|
| 1 | 140-5309 | 1 | Kit-Seal, Hydraulic CYL | 1:9 | | 1 | Seal Zurcon Glyd Ring P |
| 1:1 | | 1 | [pubs=prunechild]● | | | | 2.25● |
| 1:2 | | 1 | Retaining Ring Internal | 1:10 | | 1 | Seal Wiper 1.25 Snap In |
| | | | 2.25" S● | | | | Da24● |
| 1:3 | | 2 | Retaining Ring Remov Tool | 1:11 | | 1 | Seal Dual 2.25 Z22 Pu● |
| | | | 2.25● | 1:12 | | 1 | Seal Kit Stuff Wire Rng |
| 1:4 | | 1 | Clamp Gear 2.25"● | | | | Repair● |
| 1:5 | | 1 | Wear Ring2.25-2.13-0.250● | 1:13 | | 1 | Seal Kit Stuff Tss Seals● |
| 1:6 | | 1 | Wear Ring 1.37-1.25-0.250 | 1:14 | | 1 | Label Bag Top Sato Printer● |
| | | | ● | 1:15 | | 1 | Bag Poly 4 1/2 X 6 X .004 |
| 1:7 | | 1 | Seal Zurcon U-Cup Ru9 | | | | Mil.● |
| | | | 1.25● | 1:16 | | 1 | Bag Top Lion 4" X 4"● |
| 1:8 | | 1 | Seal Zurcon Wynseal | | | | |
| | | | 2.25"-ISO● | | | | |

● Not serviced separately

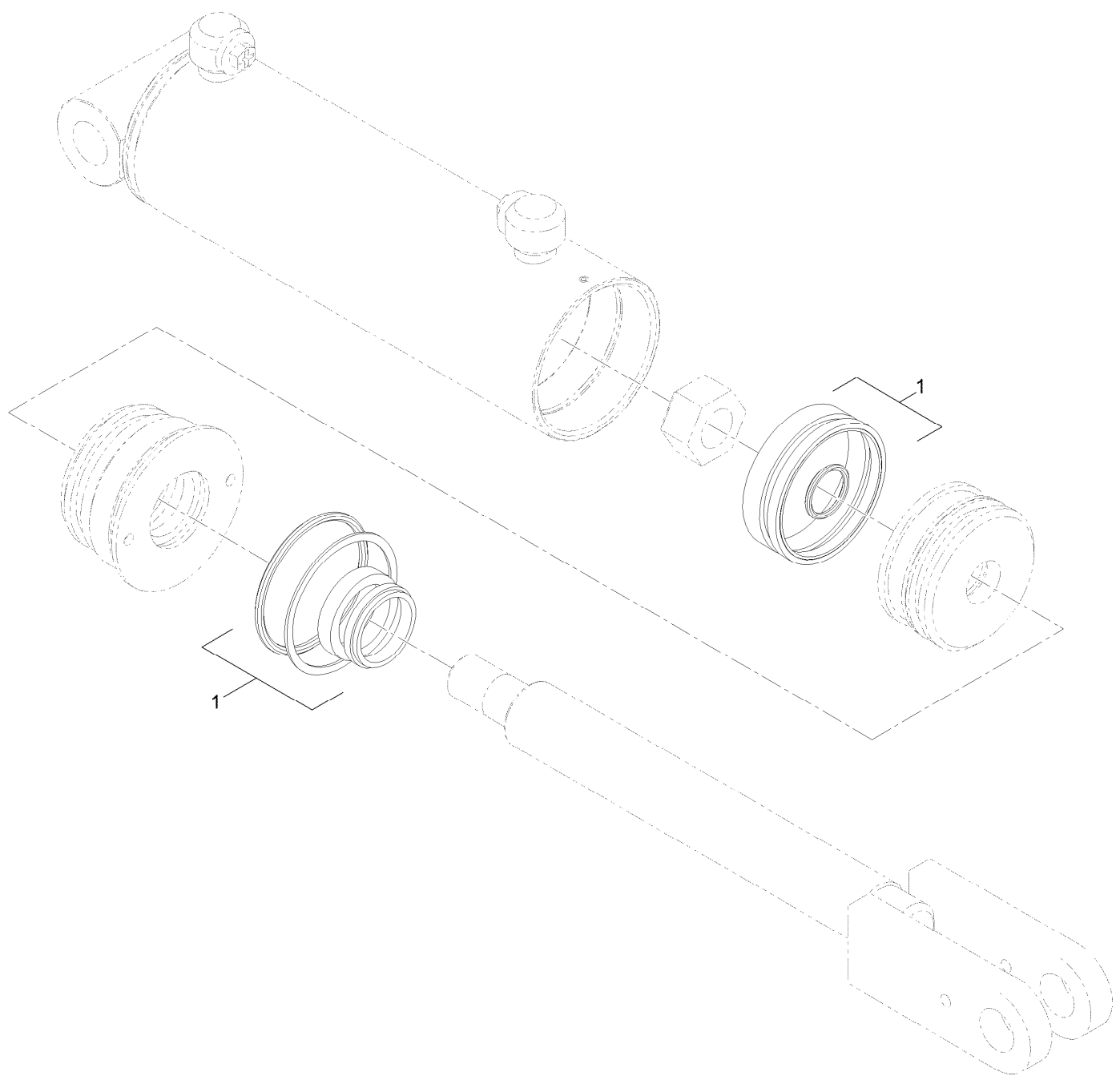
Hydraulic Cylinder Assembly No. 139-0780



Hydraulic Cylinder Assembly No. 139-0780 (continued)

| <i>Ref.</i> | <i>Part Number</i> | <i>Qty.</i> | <i>Description</i> |
|-------------|--------------------|-------------|-------------------------|
| 1 | 140-5309 | 1 | Kit-Seal, Hydraulic CYL |

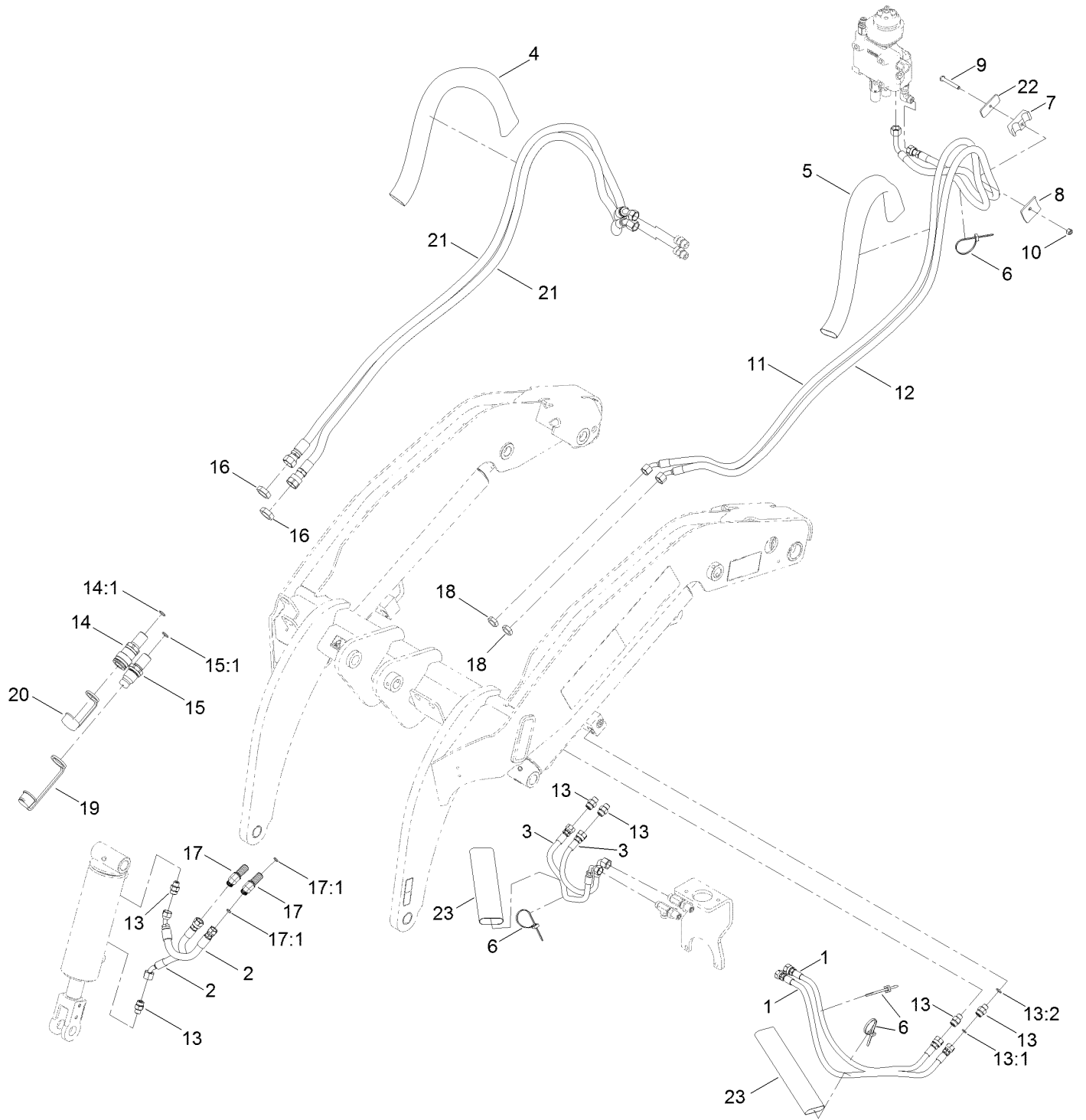
Hydraulic Cylinder Assembly No. 139-0779



Hydraulic Cylinder Assembly No. 139-0779 (continued)

| <i>Ref.</i> | <i>Part Number</i> | <i>Qty.</i> | <i>Description</i> |
|-------------|--------------------|-------------|-------------------------|
| 1 | 140-5308 | 1 | Kit-Seal, Hydraulic CYL |

Loader Hydraulic Assembly

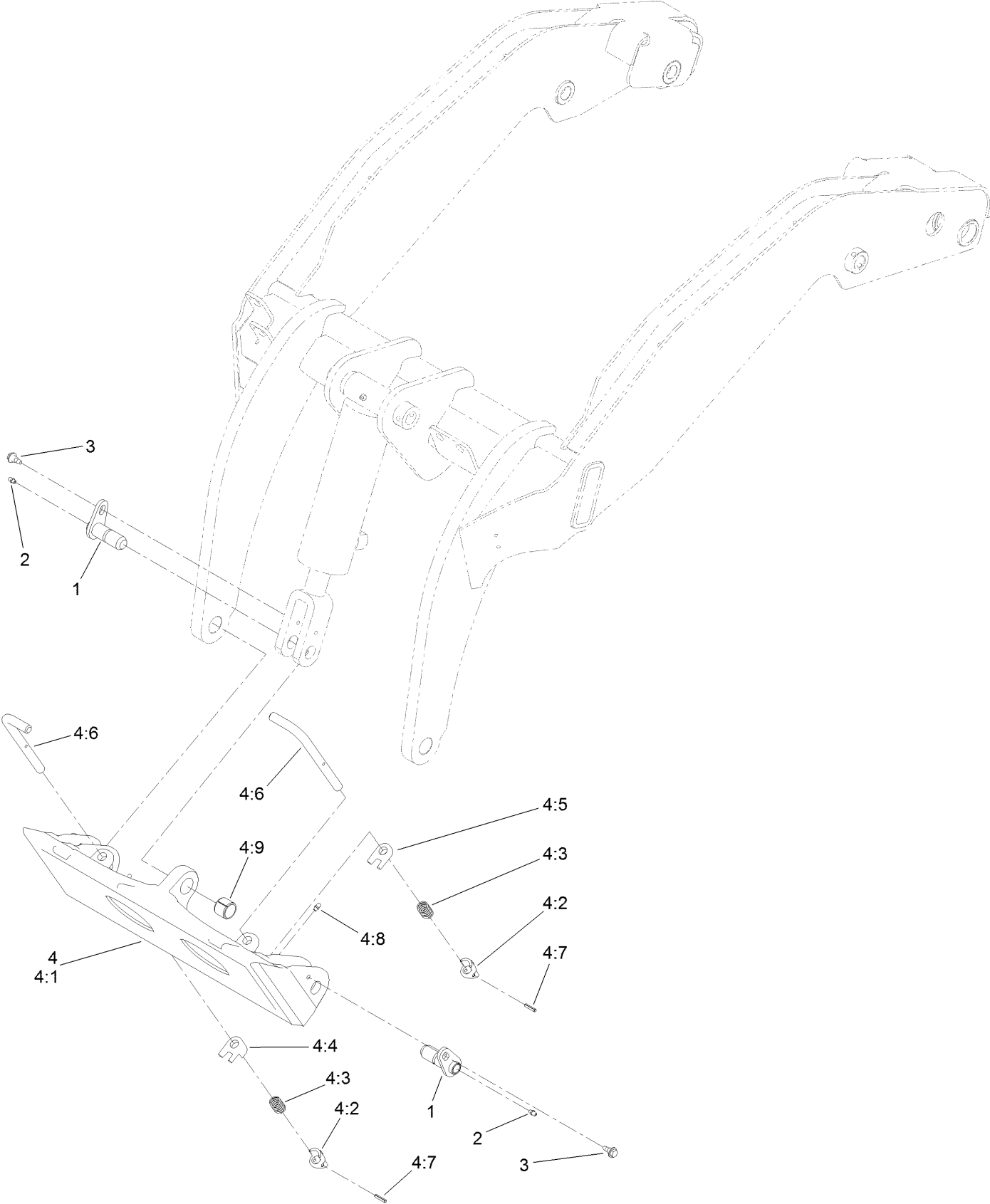


Loader Hydraulic Assembly (continued)

| <i>Ref.</i> | <i>Part Number</i> | <i>Qty.</i> | <i>Description</i> | <i>Ref.</i> | <i>Part Number</i> | <i>Qty.</i> | <i>Description</i> |
|-------------|--------------------|-------------|----------------------|-------------|--------------------|-------------|------------------------|
| 1 | 139-0801 | 2 | HYD Hose ASM | 14 | 105-8394 | 1 | Bulkhead Coupler ASM |
| 2 | 139-0802 | 2 | HYD Hose ASM | 14:1 | 237-65 | 1 | O-Ring |
| 3 | 139-0803 | 2 | HYD Hose ASM | 15 | 105-8395 | 1 | Bulkhead Nipple ASM |
| 4 | 130-7718 | 1 | Sleeve-Protective | 15:1 | 237-65 | 1 | O-Ring |
| 5 | 100-6128 | 1 | Sleeve-Protective | 15:2 | 100-6120 | 1 | Seal Kit ● |
| 6 | 3290-378 | 4 | Tie-Cable | 16 | 340-74 | 2 | Nut-Lock, Bulkhead |
| 7 | 94-8105 | 2 | Clamp-Tube | 17 | 340-69 | 2 | Elbow-Bulkhead, 45 DEG |
| 8 | 130-5221 | 2 | Plate-Holddown, Hose | 17:1 | 237-22 | 2 | O-Ring |
| 9 | 9114524 | 2 | Bolt-TAP, HH | 18 | 340-70 | 2 | Nut-Lock |
| 10 | 3296-29 | 2 | Nut-Lock, NI | 19 | 100-8815 | 1 | Cap-Dust, Nipple |
| 11 | 139-0804 | 1 | HYD Hose ASM | 20 | 100-8816 | 1 | Cap-Dust, Coupler |
| 12 | 139-0805 | 1 | HYD Hose ASM | 21 | 139-0806 | 2 | HYD Hose ASM |
| 13 | 340-2 | 6 | Fitting-Straight | 22 | 131-9152 | 2 | Plate-Clamp, Hose |
| 13:1 | 237-22 | 1 | O-Ring | 23 | 133-8568 | 2 | Sleeve-Protective |
| 13:2 | 237-42 | 1 | O-Ring | | | | |

● Not illustrated

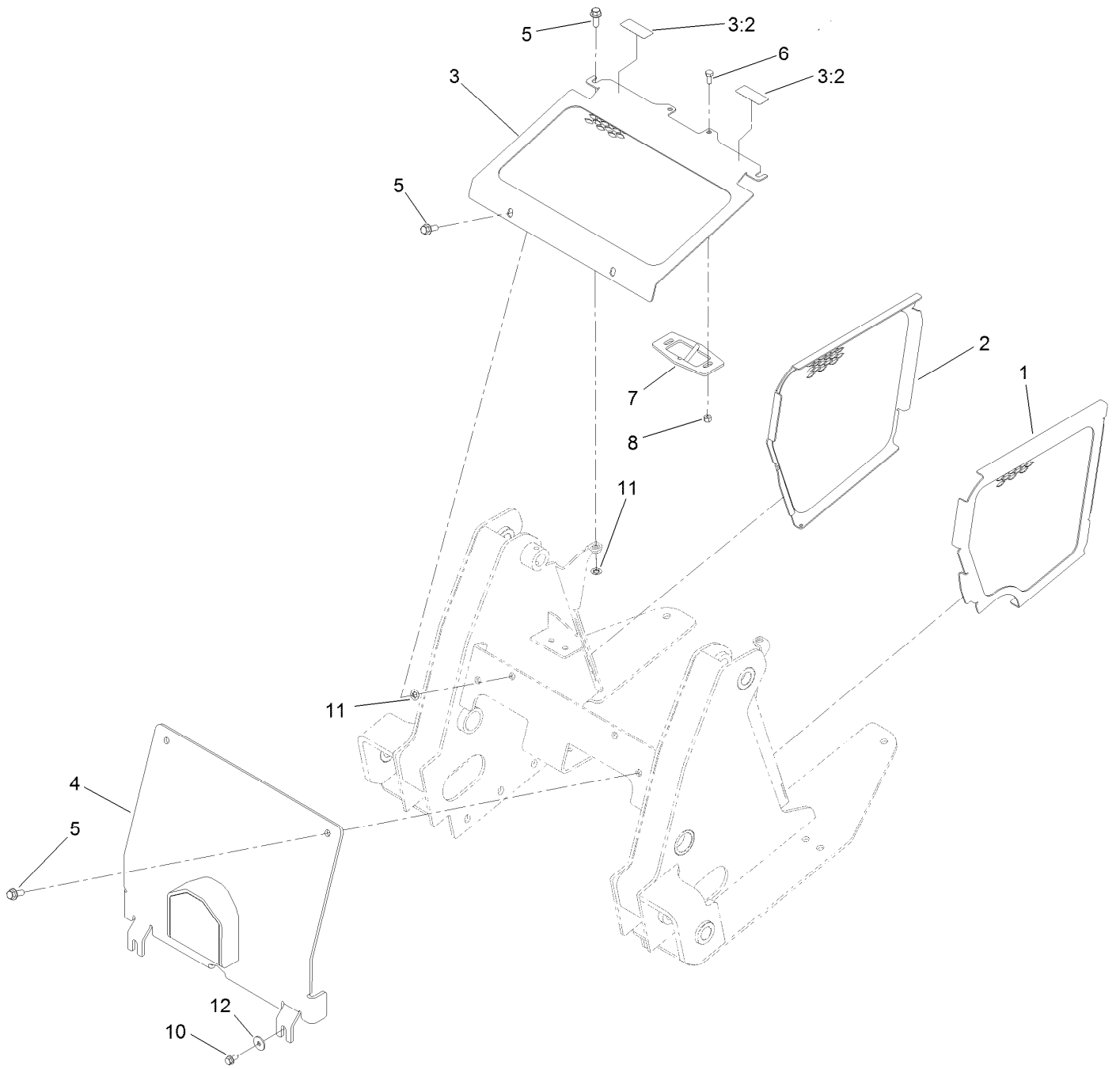
Quick Attach Assembly



Quick Attach Assembly (continued)

| <i>Ref.</i> | <i>Part Number</i> | <i>Qty.</i> | <i>Description</i> | <i>Ref.</i> | <i>Part Number</i> | <i>Qty.</i> | <i>Description</i> |
|-------------|--------------------|-------------|--------------------|-------------|--------------------|-------------|--------------------|
| 1 | 130-5222 | 3 | Pin-Pivot | 4:4 | 104-5909 | 1 | Stop-RH |
| 2 | 302-5 | 3 | Fitting-Grease | 4:5 | 104-5903 | 1 | Stop-LH |
| 3 | 99-5105 | 3 | Screw-Shoulder | 4:6 | 132-8419 | 2 | Pin-Locking |
| 4 | 132-8418 | 1 | Quick Attach ASM | 4:7 | 3285-1 | 2 | Pin-Grooved |
| 4:1 | 130-7708-03 | 1 | Mount-Qtach | 4:8 | 302-5 | 2 | Fitting-Grease |
| 4:2 | 105-0246 | 2 | Cam | 4:9 | 98-4871 | 1 | Bushing-Tension |
| 4:3 | 98-4694 | 2 | Spring-Compression | | | | |

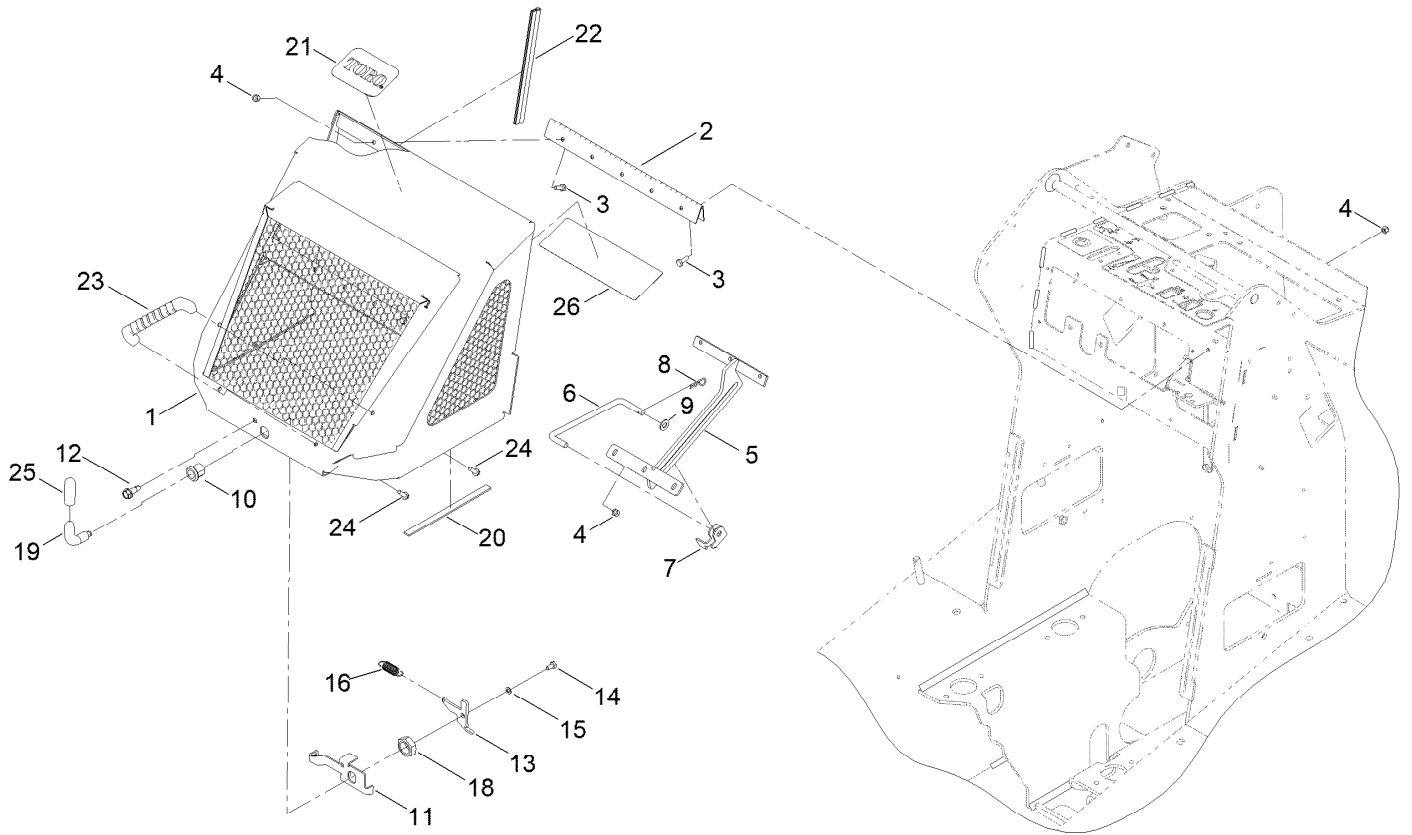
Front Cover and Side Panel Assembly



Front Cover and Side Panel Assembly (continued)

| <i>Ref.</i> | <i>Part Number</i> | <i>Qty.</i> | <i>Description</i> | <i>Ref.</i> | <i>Part Number</i> | <i>Qty.</i> | <i>Description</i> |
|-------------|--------------------|-------------|--------------------|-------------|--------------------|-------------|--------------------|
| 1 | 132-1734-03 | 1 | Panel-Side, LH | 6 | 322-3 | 2 | Screw-HH |
| 2 | 132-1733-03 | 1 | Panel-Side, RH | 7 | 130-5239-03 | 1 | Hood Latch/Rod ASM |
| 3 | 136-5752 | 1 | Front Cover ASM | 8 | 3296-29 | 2 | Nut-Lock, NI |
| 3:2 | 115-2047 | 2 | Decal-Surface, Hot | 10 | 3234-5 | 2 | Screw-HHF |
| 4 | 133-0230-03 | 1 | Cover-Front | 11 | 107-3154 | 2 | Nut-Push |
| 5 | 3234-42 | 6 | Screw-HHF | 12 | 115-7109 | 2 | Washer-Flat |

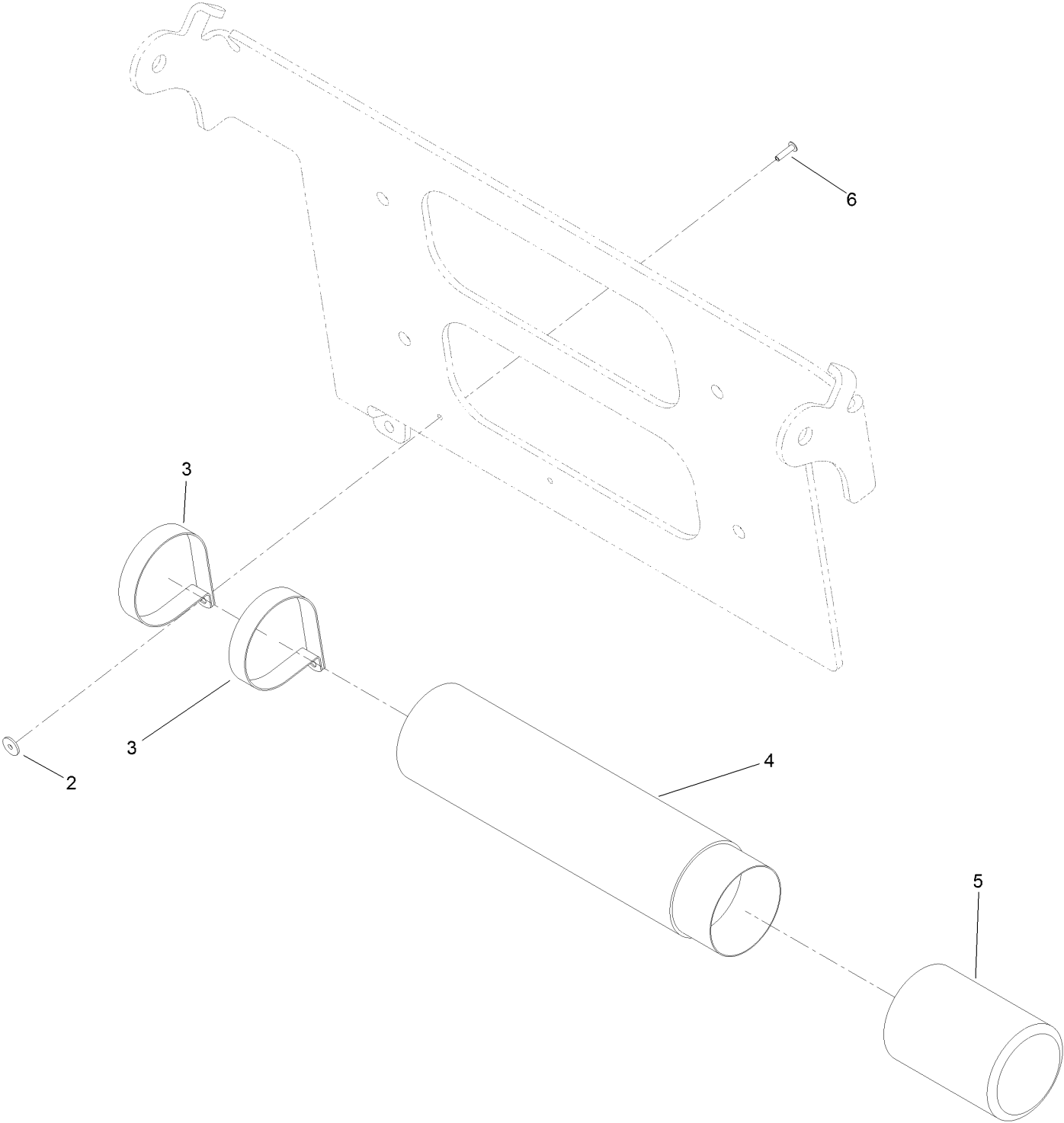
Hood Assembly



Hood Assembly (continued)

| <i>Ref.</i> | <i>Part Number</i> | <i>Qty.</i> | <i>Description</i> | <i>Ref.</i> | <i>Part Number</i> | <i>Qty.</i> | <i>Description</i> |
|-------------|--------------------|-------------|------------------------|-------------|--------------------|-------------|-------------------------|
| 1 | 130-5298-03 | 1 | Engine Hood ASM | 19 | 108-5639 | 1 | Handle-Latch |
| 2 | 100-1284 | 1 | Hinge-Hood | 20 | 132-7282 | 2 | Strip-Foam |
| 3 | 321-4 | 12 | Screw-HH | 21 | 117-0871 | 1 | Decal |
| 4 | 3296-42 | 12 | Nut-Lock, NI | 22 | 130-5345 | 1 | Trim-Seal, Bulb |
| 5 | 130-5228-03 | 1 | Bracket-Prop, Hood | 23 | 65-5100 | 2 | Handle-Door |
| 6 | 108-6357 | 1 | Rod-Support, Hood | 24 | 46-8091 | 4 | Screw-HWH |
| 7 | 115-0714 | 1 | Bracket-Latch, Locking | 25 | 133-0206 | 1 | Grip-Lever, Hood |
| 8 | 3290-250 | 1 | Pin-Cotter | 26 | 139-8822 | 1 | Decal-Service Tx1000 De |
| 9 | 3256-24 | 1 | Washer-Flat | 26 | 139-8826 | 1 | Decal-Service Tx1000 ES |
| 10 | 106-9335 | 1 | Housing-Latch | 26 | 139-8831 | 1 | Decal-Service Tx1000 Fr |
| 11 | 130-5232-03 | 1 | Bracket-Latch | 26 | 139-8836 | 1 | Decal-Service Tx1000 It |
| 12 | 105-6245 | 1 | Screw-Tapping | 26 | 139-8841 | 1 | Decal-Service Tx1000 Ne |
| 13 | 130-5233 | 1 | Cam-Hooked | 26 | 139-8846 | 1 | Decal-Service Tx1000 PI |
| 14 | 321-2 | 1 | Screw-HH | 26 | 139-8851 | 1 | Decal-Service Tx1000 Ru |
| 15 | 3253-3 | 1 | Washer-Lock | 26 | 139-8856 | 1 | Decal-Service Tx1000 Sk |
| 16 | 104-0869 | 1 | Spring | 26 | 140-3619 | 1 | Decal, Service Tx1000 |
| 18 | 119-7457 | 1 | Nut | | | | |

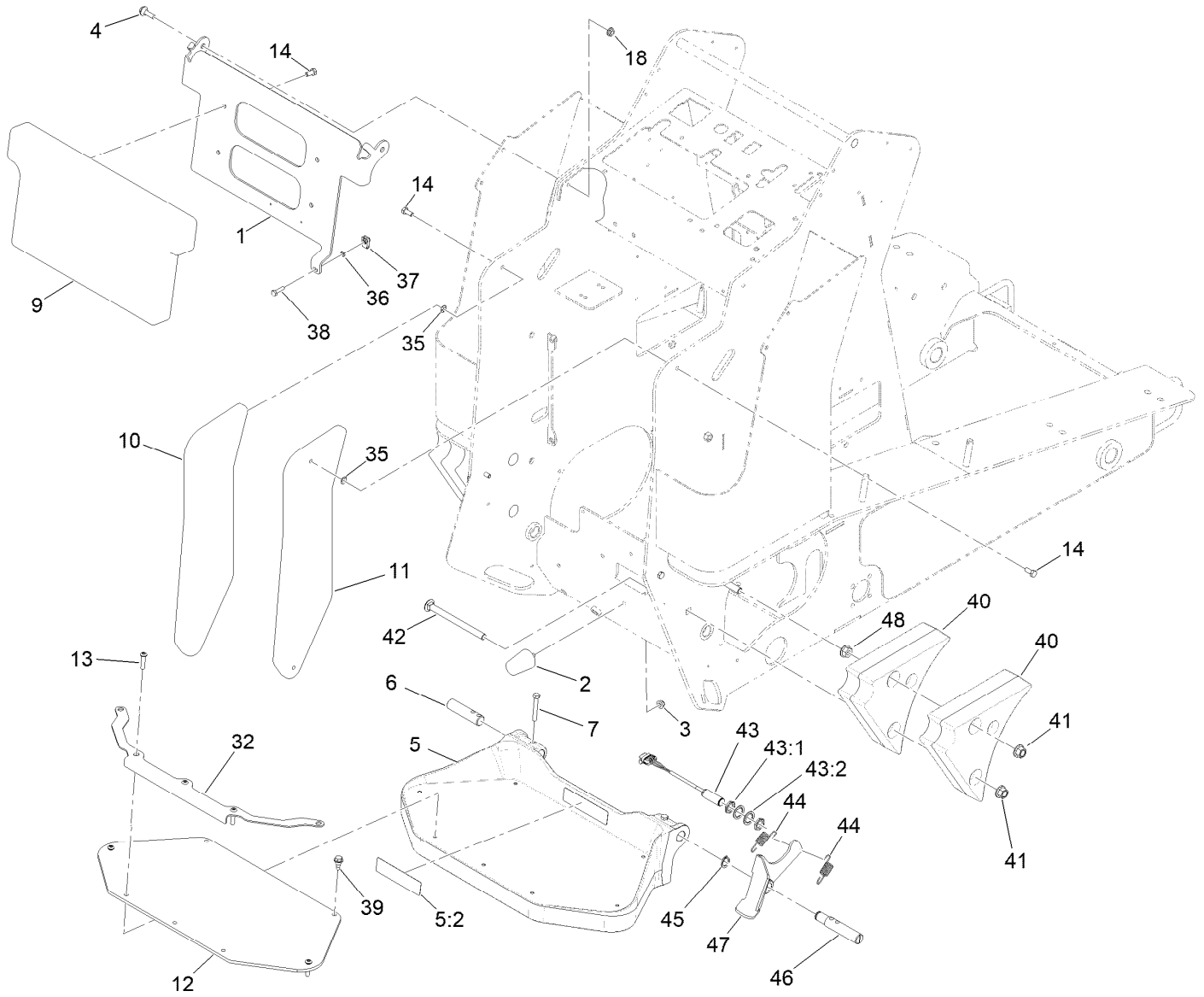
Manual Tube Assembly



Manual Tube Assembly (continued)

| <i>Ref.</i> | <i>Part Number</i> | <i>Qty.</i> | <i>Description</i> | <i>Ref.</i> | <i>Part Number</i> | <i>Qty.</i> | <i>Description</i> |
|-------------|--------------------|-------------|--------------------|-------------|--------------------|-------------|--------------------|
| 2 | 3269-10 | 2 | Washer-Back | 5 | 104-7048 | 1 | Cap-Housing |
| 3 | 2412-120 | 2 | Clamp-R | 6 | 3269-17 | 2 | Rivet-Pop |
| 4 | 104-7050 | 1 | Tube-Manual | | | | |

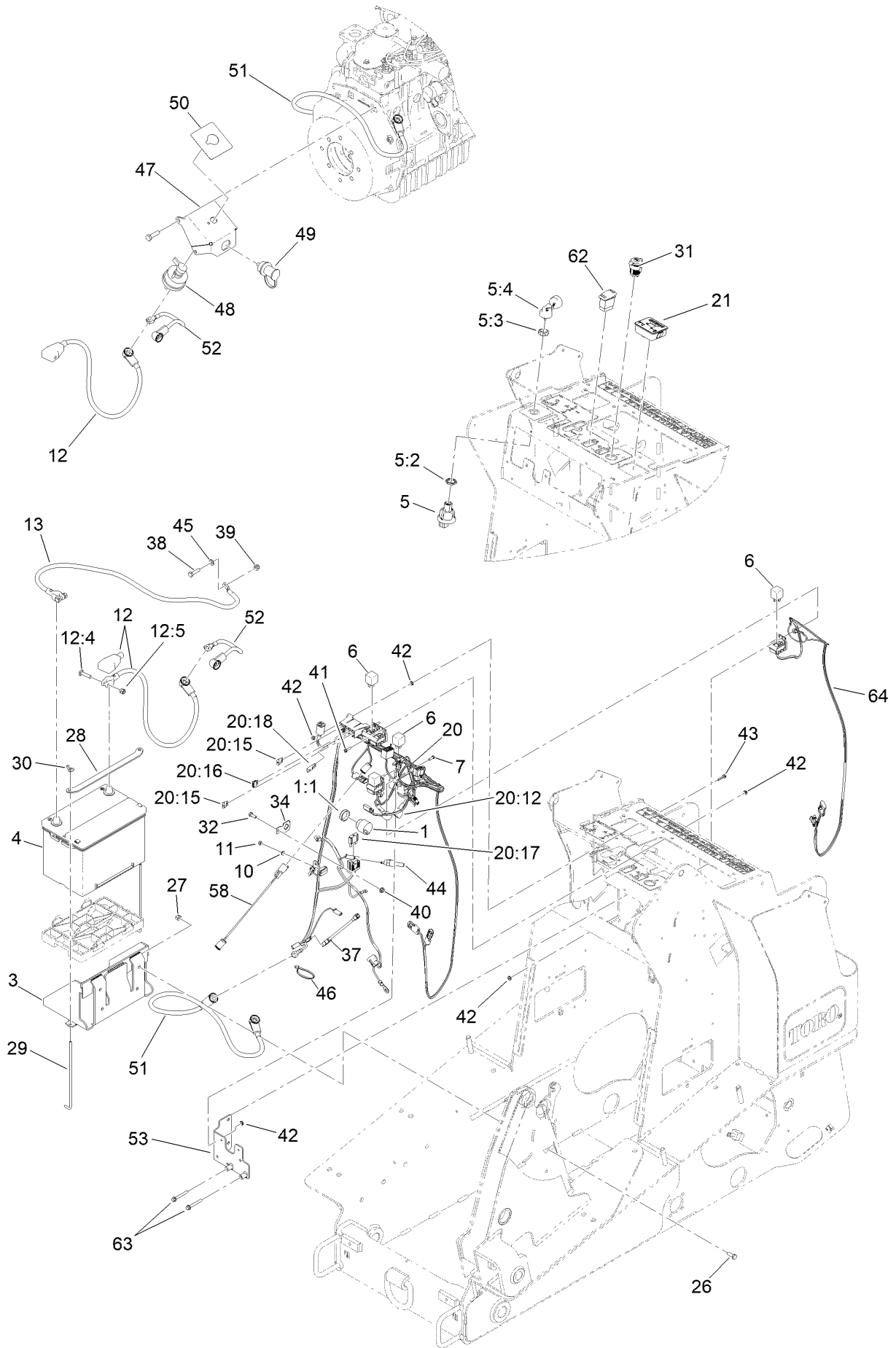
Platform Assembly



Platform Assembly (continued)

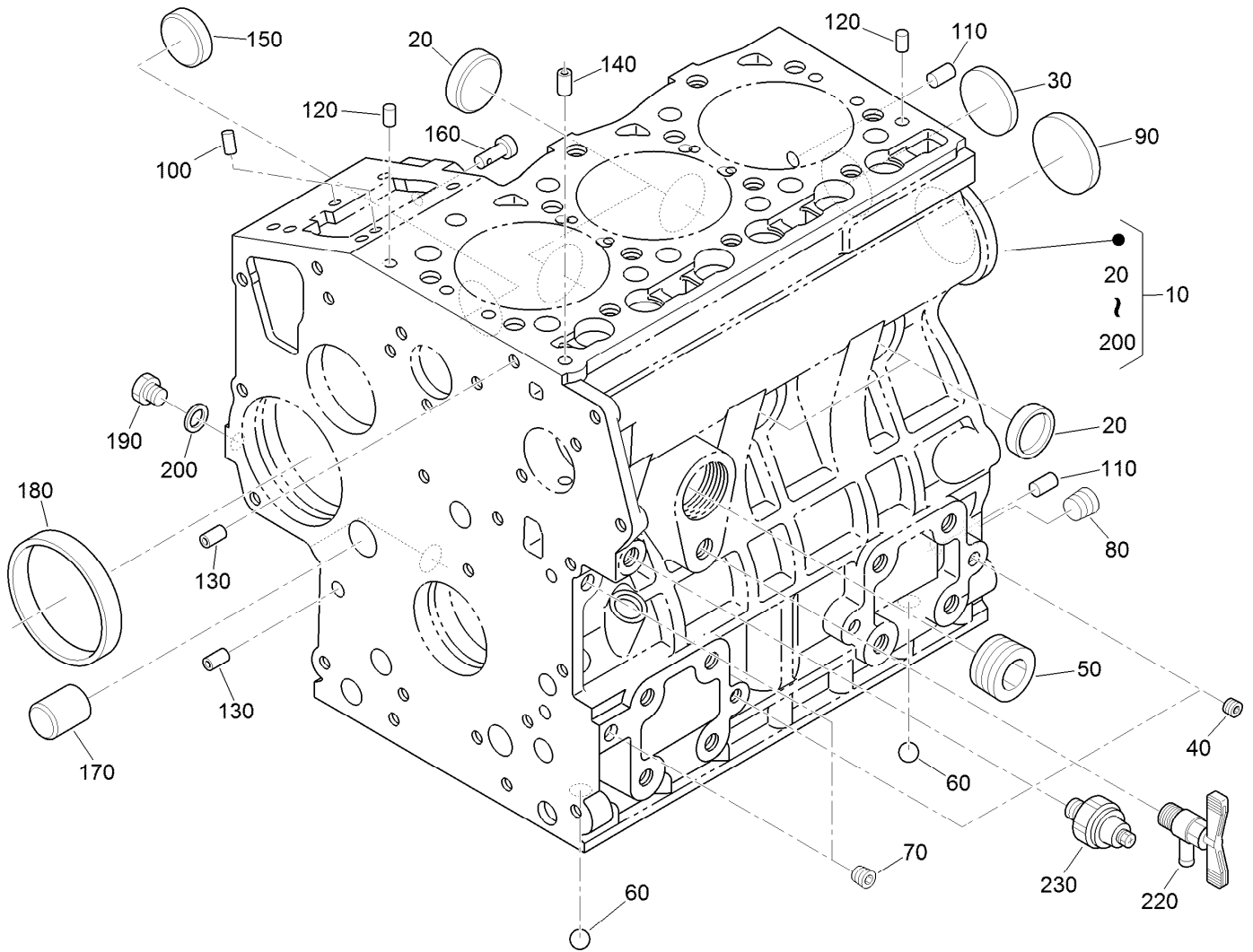
| <i>Ref.</i> | <i>Part Number</i> | <i>Qty.</i> | <i>Description</i> | <i>Ref.</i> | <i>Part Number</i> | <i>Qty.</i> | <i>Description</i> |
|-------------|--------------------|-------------|---------------------|-------------|--------------------|-------------|-----------------------------|
| 1 | 132-6026-03 | 1 | Hinge-Pad | 35 | 117-2749 | 2 | Nut-Push |
| 2 | 110-5070 | 3 | Bumper | 36 | 1-803037 | 1 | Nut-Retaining |
| 3 | 104-8300 | 3 | Nut-HF, NI | 37 | 107069 | 1 | Clip |
| 4 | 108-3744 | 2 | Screw-Shoulder | 38 | 321-6 | 1 | Screw-HH |
| 5 | 145-3785 | 1 | Platform | 39 | 99-5105 | 2 | Screw-Shoulder |
| 5:2 | 131-0709 | 1 | Decal-Parking Brake | 40 | 140-7699-03 | 4 | Plate, Weight |
| 6 | 125-3749 | 2 | Pin-Cylinder | 41 | 99-5107 | 4 | Nut-Lock |
| 7 | 322-11 | 2 | Screw-HH | 42 | 144-7373 | 4 | Screw-CARR |
| 9 | 130-1042 | 1 | Cushion-Pad | 43 | 115-5300 | 1 | Proximity Switch ASM |
| 10 | 130-1043 | 1 | Cushion-Pad | 43:1 | 117-3207 | 2 | Nut-Hex |
| 11 | 130-1044 | 1 | Cushion-Pad | 43:2 | 117-3208 | 2 | Washer-Lock, Internal Tooth |
| 12 | 144-7382 | 1 | Pad-Foot | 44 | 137-6189 | 2 | Spring-Extension |
| 13 | 3290-511 | 5 | Screw-HSBH | 45 | 32120-93 | 1 | Ring-Retaining |
| 14 | 322-3 | 8 | Screw-HH | 46 | 144-0754 | 1 | Pin-Platform |
| 18 | 32128-20 | 2 | Nut-HF | 47 | 145-3759-03 | 1 | Pedal ASM [black] |
| 32 | 144-7371-03 | 1 | Plate - Clamp | 48 | 32128-49 | 2 | Nut-HHF |

Electrical Assembly



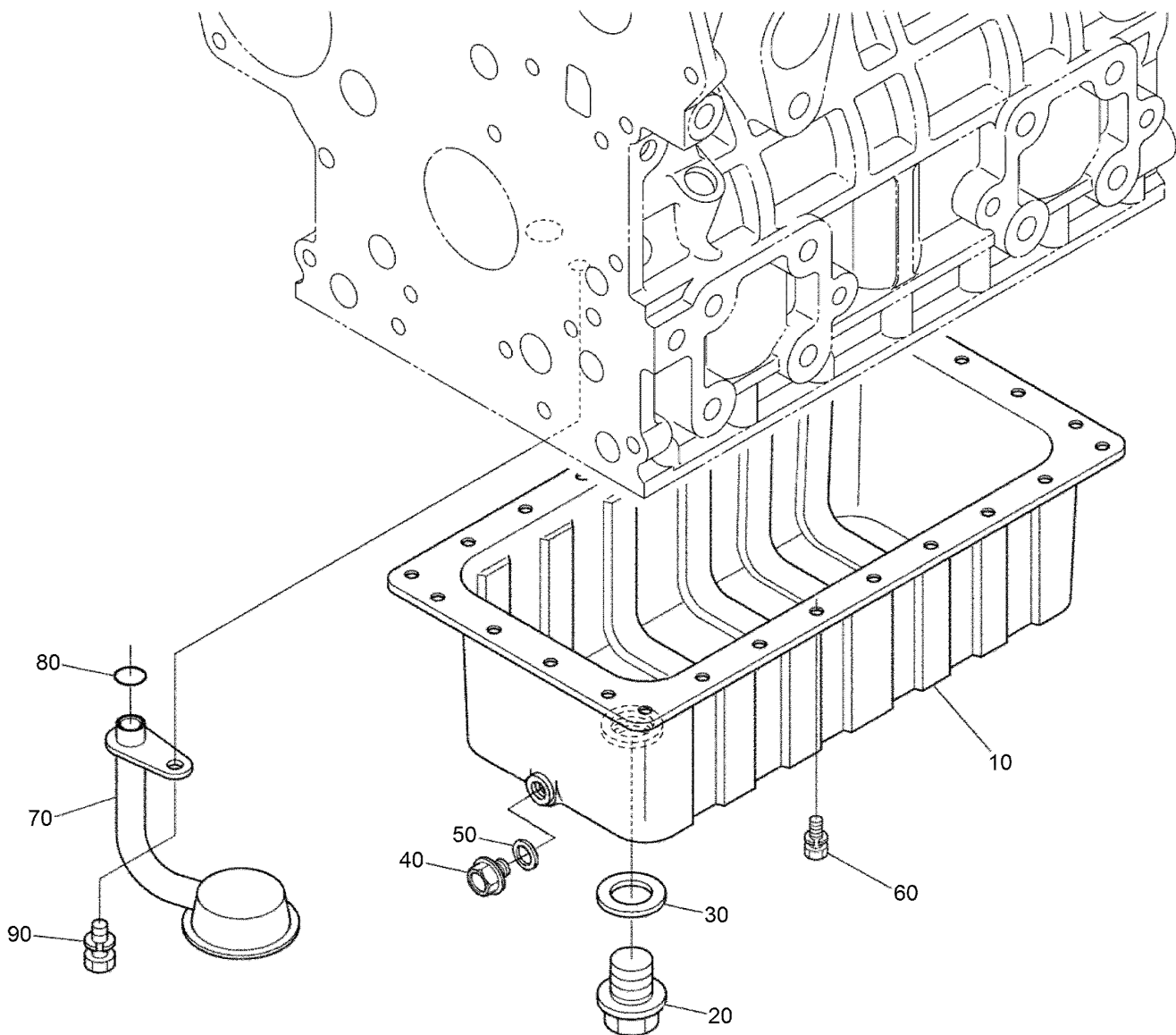
Electrical Assembly (continued)

| <i>Ref.</i> | <i>Part Number</i> | <i>Qty.</i> | <i>Description</i> | <i>Ref.</i> | <i>Part Number</i> | <i>Qty.</i> | <i>Description</i> |
|-------------|--------------------|-------------|----------------------------------|-------------|--------------------|-------------|---------------------------|
| 1 | 80-9330 | 1 | Audio Alarm ASM | 28 | 136-5755-03 | 1 | Strap-Hold Down, Battery |
| 1:1 | 104-5107 | 1 | Nut-Plastic, Knurled | 29 | 136-5756 | 2 | Rod-Hold Down, Battery |
| 3 | 130-5236-03 | 1 | Tray-Battery | 30 | 1-803038 | 2 | Wingnut |
| 4 | 106-5190 | 1 | Battery, 660 CCA W/O Electrolyte | 31 | 109-9376 | 1 | Receptacle-12V |
| 5 | 121-5159 | 1 | Switch-Ignition | 32 | 321-4 | 1 | Screw-HH |
| 5:2 | 121-5160 | 1 | Nut-Hex | 34 | 114-5502 | 1 | Clip-Fuse |
| 5:3 | 121-5161 | 1 | Nut-Face | 37 | 112-2463 | 1 | Harness-Link, Fusible |
| 5:4 | 121-5162 | 1 | Set-Key, Ignition | 38 | 322-6 | 1 | Screw-HH |
| 6 | 1-643275 | 6 | Relay | 39 | 104-8300 | 1 | Nut-HF, NI |
| 7 | 3290-134 | 2 | Screw | 40 | 32128-33 | 1 | Nut-HF |
| 10 | 43-5930 | 1 | Washer-Lock, Spring | 41 | 32105-13 | 3 | Screw-HWH |
| 11 | 43-2830 | 1 | Nut-Hex | 42 | 32149-7 | 9 | Nut-Keps |
| 12 | 139-6366 | 1 | Cable-Battery, Pos ASM | 43 | 117-1701 | 2 | Screw-HWHTF |
| 12:4 | 32180-109 | 1 | Bolt-Battery Clamp, 5/16-18 Unc | 44 | 98-3825 | 1 | Switch-Temp |
| 12:5 | 32180-108 | 1 | Nut-Clamp, Battery | 45 | 3256-23 | 1 | Washer-Plain |
| 13 | 104-0761 | 1 | Cable-Negative | 46 | 3290-378 | 1 | Tie-Cable |
| 20 | 122-2123 | 1 | Harness-Wire, Tx1000 | 47 | 131-8009-03 | 1 | Mount-Remote Terminal |
| 20:12 | 103-3895 | 1 | Diode | 48 | AUR52278 | 1 | Switch-Disconnect, Master |
| 20:15 | 218-578 | 2 | Fuse-Blade, 10 Amp | 49 | 132-1364 | 1 | Stud-Jumper, Positive |
| 20:16 | 109355 | 2 | Fuse-Blade, 15 Amp | 50 | 131-8026 | 1 | Decal-Battery Disconnect |
| 20:17 | 94-8002 | 1 | Fuse-Blade, 50 Amp | 51 | 131-8032 | 1 | Cable-Battery, Positive |
| 20:18 | 116-0053 | 1 | Cap-Plug | 52 | 122-0103 | 1 | Cable-Battery, Positive |
| 21 | 130-7635 | 1 | Module-Hour Meter | 53 | 140-5895-0P | 1 | Bracket |
| 26 | 322-4 | 4 | Screw-HH | 58 | 136-5813 | 1 | Harness-Wire |
| 27 | 3296-29 | 4 | Nut-Lock, NI | 62 | 106-2027 | 1 | Switch-Intermittent |
| | | | | 63 | 3234-34 | 2 | Screw-HHF |
| | | | | 64 | 122-2349 | 1 | Harness-Wire, Aux Hold |



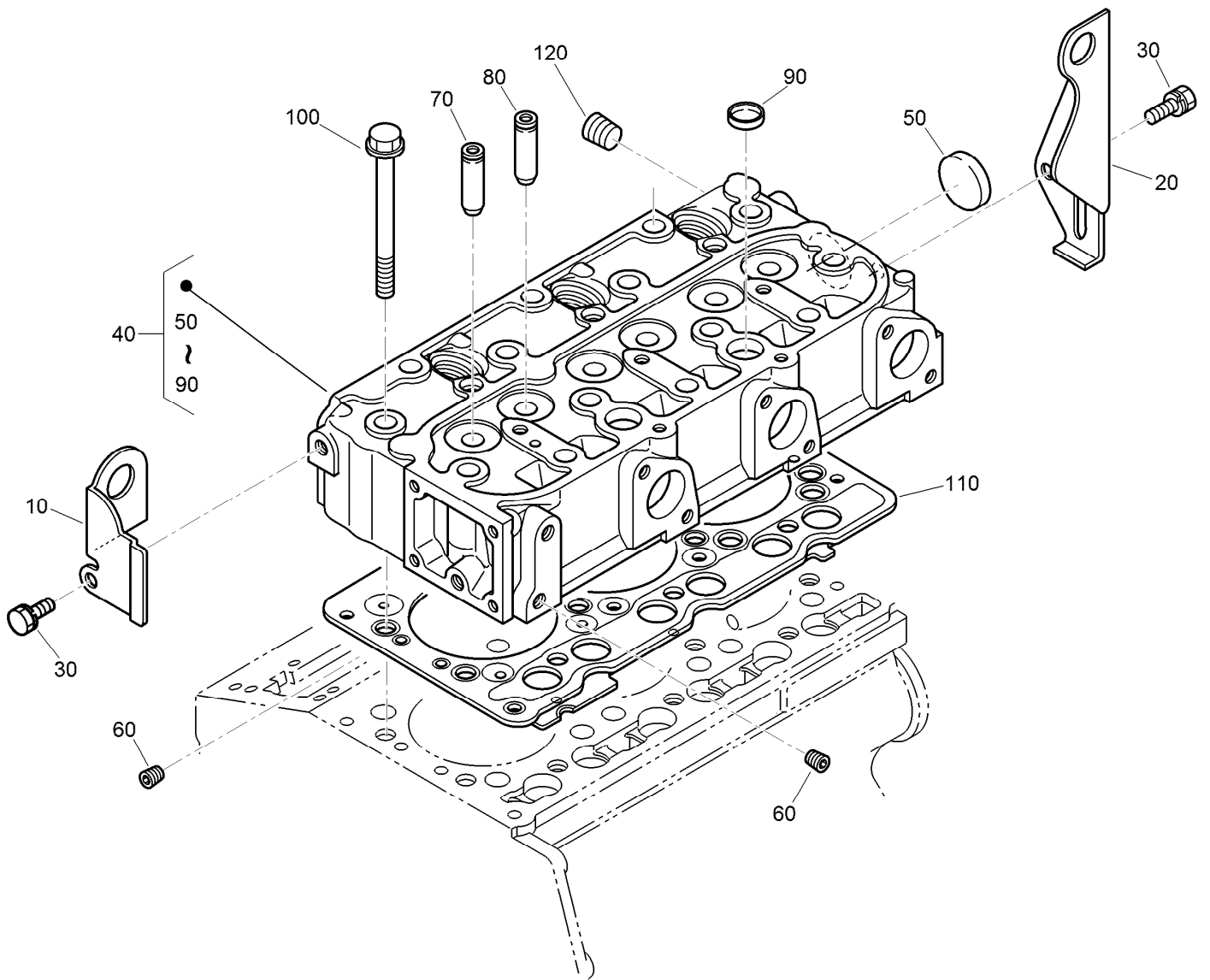
Crankcase Assembly

| <i>Ref.</i> | <i>Part Number</i> | <i>Qty.</i> | <i>Description</i> | <i>Ref.</i> | <i>Part Number</i> | <i>Qty.</i> | <i>Description</i> |
|-------------|--------------------|-------------|--------------------|-------------|--------------------|-------------|------------------------|
| 10 | 117-8800 | 1 | Crankcase ASM | 120 | 98-9376 | 2 | Pin-Straight |
| 20 | 98-9398 | 4 | Cap-Sealing | 130 | 98-9387 | 2 | Pin-Pipe |
| 30 | 98-7539 | 1 | Cap-Sealing | 140 | 98-9539 | 1 | Pin-Pipe |
| 40 | 98-9687 | 6 | Plug | 150 | 98-9599 | 1 | Plug |
| 50 | 105-3779 | 1 | Plug | 160 | 98-9630 | 1 | Pin-Spring, Start |
| 60 | 98-9380 | 2 | Ball | 170 | 98-9675 | 1 | Plug |
| 70 | 98-7487 | 2 | Plug | 180 | 98-9656 | 1 | Bushing-Governor, Gear |
| 80 | 98-7488 | 1 | Plug | 190 | 120-2559 | 1 | Plug |
| 90 | 98-9668 | 1 | Plug-Expansion | 200 | 98-7428 | 1 | Gasket |
| 100 | 98-9375 | 2 | Pin-Straight | 220 | 120-3121 | 1 | Draincock ASM |
| 110 | 98-9377 | 2 | Pin-Straight | 230 | 98-9416 | 1 | Switch-Oil |



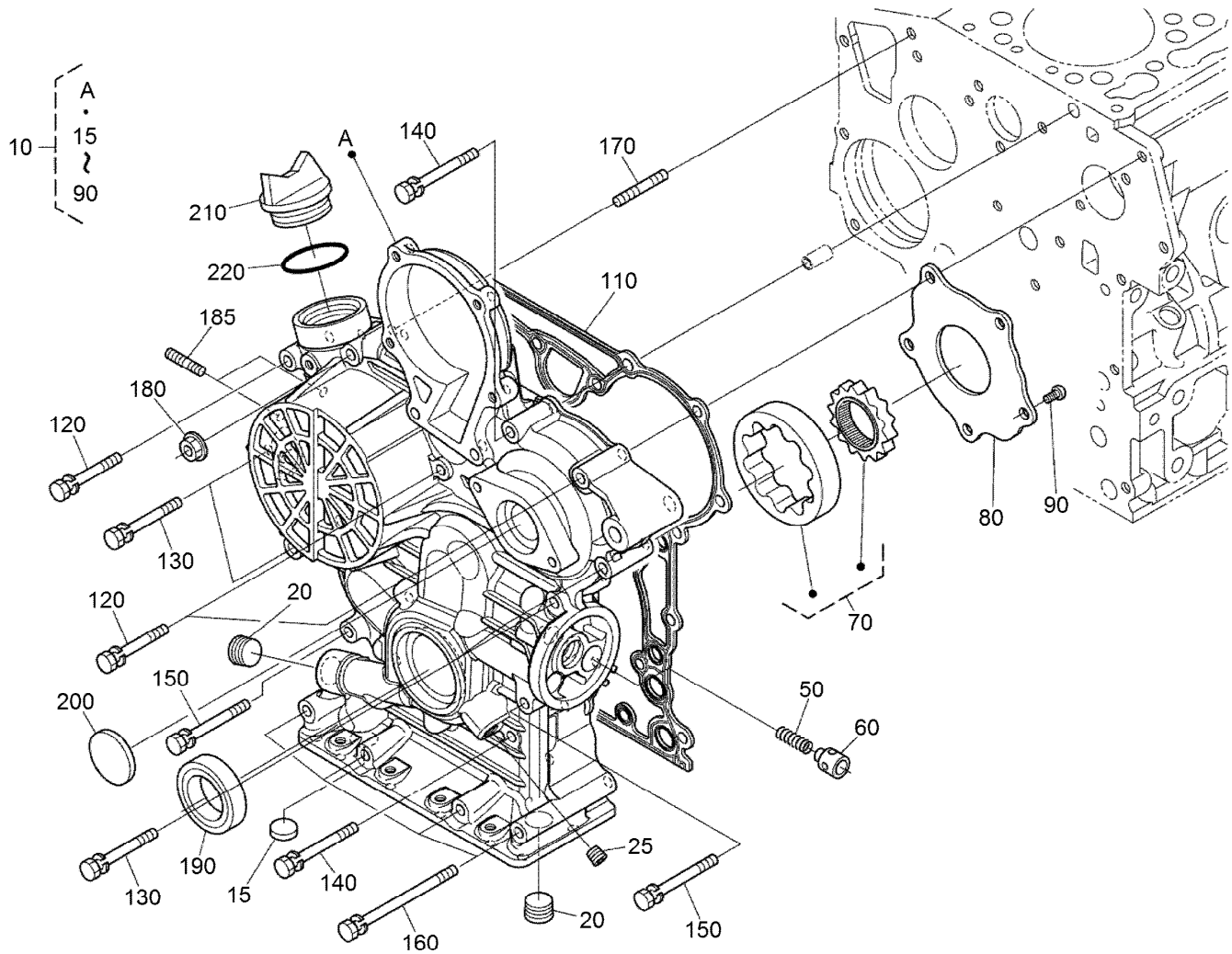
Oil Pan Assembly

| <i>Ref.</i> | <i>Part Number</i> | <i>Qty.</i> | <i>Description</i> |
|-------------|--------------------|-------------|--------------------|
| 10 | 132-4940 | 1 | Oil Pan ASM |
| 20 | 98-9686 | 1 | Plug-Drain |
| 30 | 110-9715 | 1 | Gasket-Pan, Oil |
| 40 | 114-8151 | 1 | Plug-Drain |
| 50 | 98-7524 | 1 | Gasket |
| 60 | 98-9351 | 26 | Bolt |
| 70 | 132-4939 | 1 | Screen-Filter, Oil |
| 80 | 105-3776 | 1 | O-Ring |
| 90 | 98-7526 | 1 | Bolt |



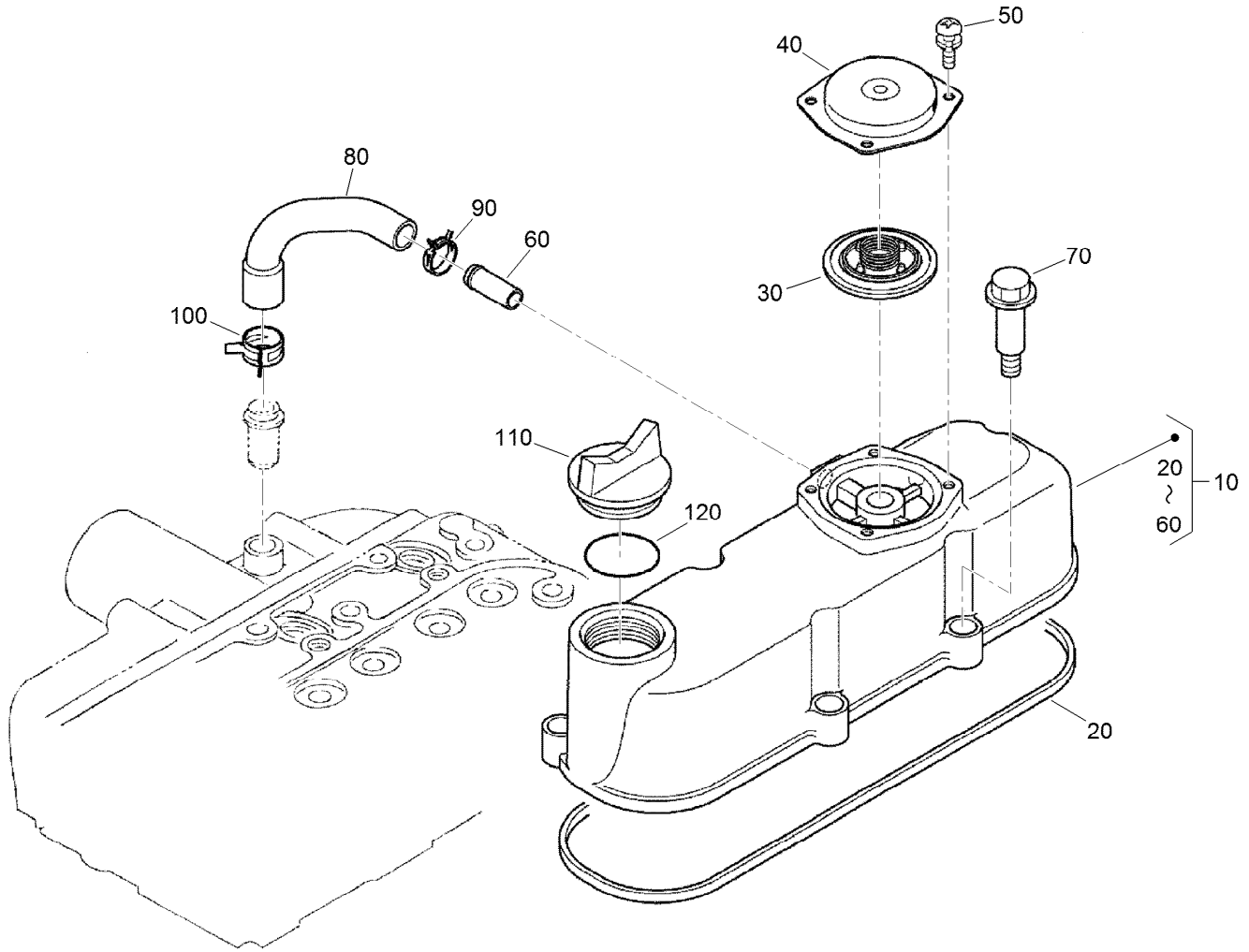
Cylinder Head Assembly

| Ref. | Part Number | Qty. | Description |
|------|-------------|------|-----------------------|
| 10 | 130-1231 | 1 | Hook-Engine |
| 20 | 98-9478 | 1 | Hook-Engine |
| 30 | AU126123A1 | 2 | Bolt |
| 40 | 117-8802 | 1 | Cylinder Head ASM |
| 50 | 105-3705 | 1 | Cap-Sealing |
| 60 | 98-9687 | 2 | Plug |
| 70 | 107-9066 | 3 | Guide-Valve, Inlet |
| 80 | 107-9067 | 3 | Guide-Valve, Exhaust |
| 90 | 98-9389 | 2 | Cap-Sealing |
| 100 | 98-9479 | 14 | Bolt-Head, Cylinder |
| 110 | 108-6573 | 1 | Gasket-Head, Cylinder |
| 120 | 98-9444 | 1 | Plug |



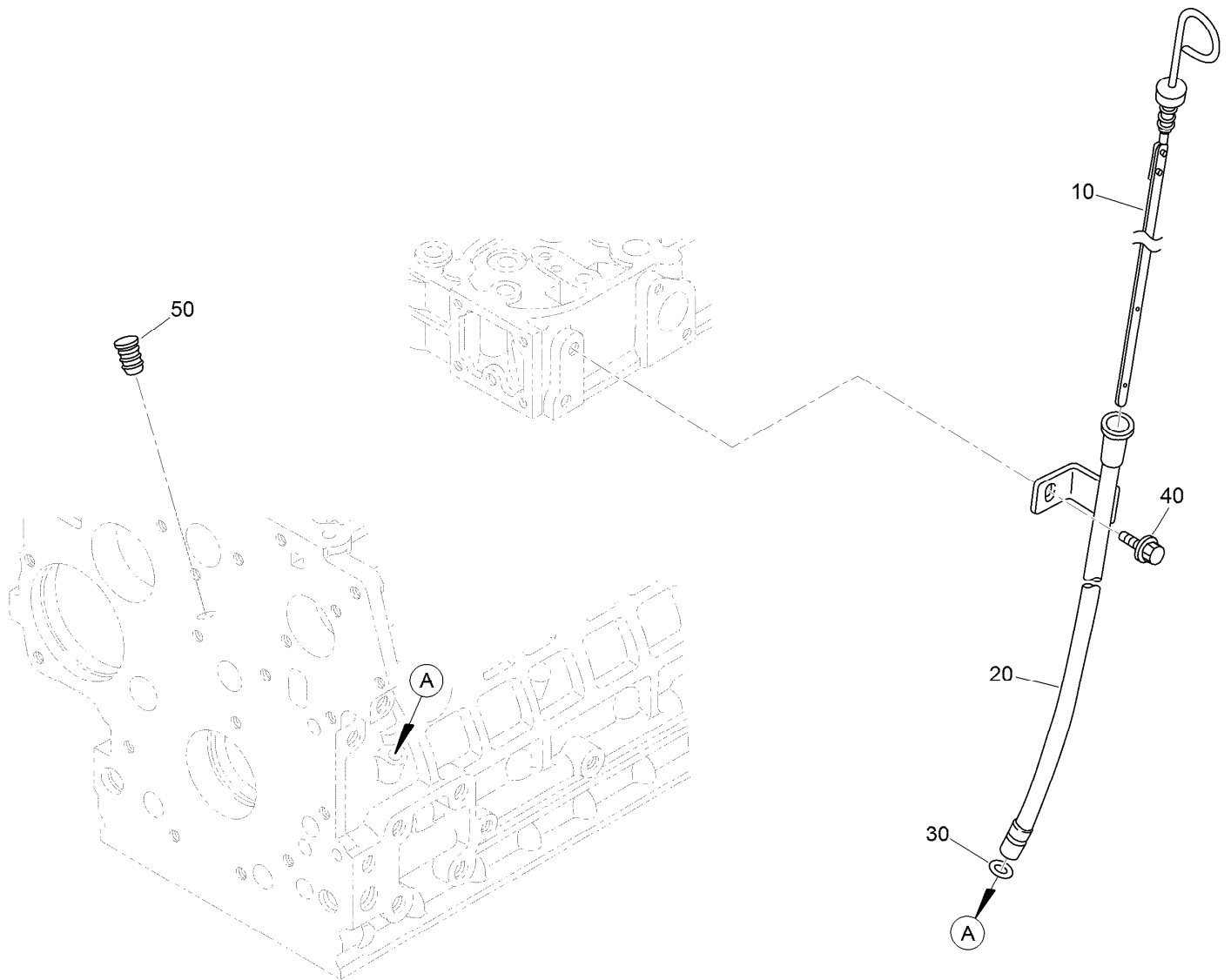
Gear Case Assembly

| Ref. | Part Number | Qty. | Description | Ref. | Part Number | Qty. | Description |
|------|-------------|------|-------------------|------|-------------|------|------------------|
| 10 | 117-8803 | 1 | Gear Case ASM | 130 | 125-9063 | 4 | Bolt-Sems |
| 15 | 117-8804 | 1 | Cap-Sealing | 140 | 98-9356 | 2 | Bolt |
| 20 | 127-0425 | 2 | Plug | 150 | 100-1766 | 2 | Bolt |
| 25 | 98-7487 | 1 | Plug | 160 | 107-9090 | 4 | Bolt |
| 50 | 130-1511 | 1 | Spring | 170 | 105-3709 | 1 | Stud |
| 60 | 130-1510 | 1 | Valve-Relief | 180 | 100-2203 | 1 | Nut-Flange |
| 70 | 130-1508 | 1 | Rotor ASM | 185 | 105-3710 | 2 | Stud |
| 80 | 130-1509 | 1 | Cover-Pump, Oil | 190 | 119-8038 | 1 | Seal-Oil |
| 90 | 130-1164 | 5 | Screw-Binding | 200 | 99-3515 | 1 | Plug-Gearcase |
| 110 | 117-8835 | 1 | Gasket-Case, Gear | 210 | 107-9075 | 1 | Plug-Filler, Oil |
| 120 | 100-1765 | 3 | Bolt | 220 | 99-3446 | 1 | O-Ring |



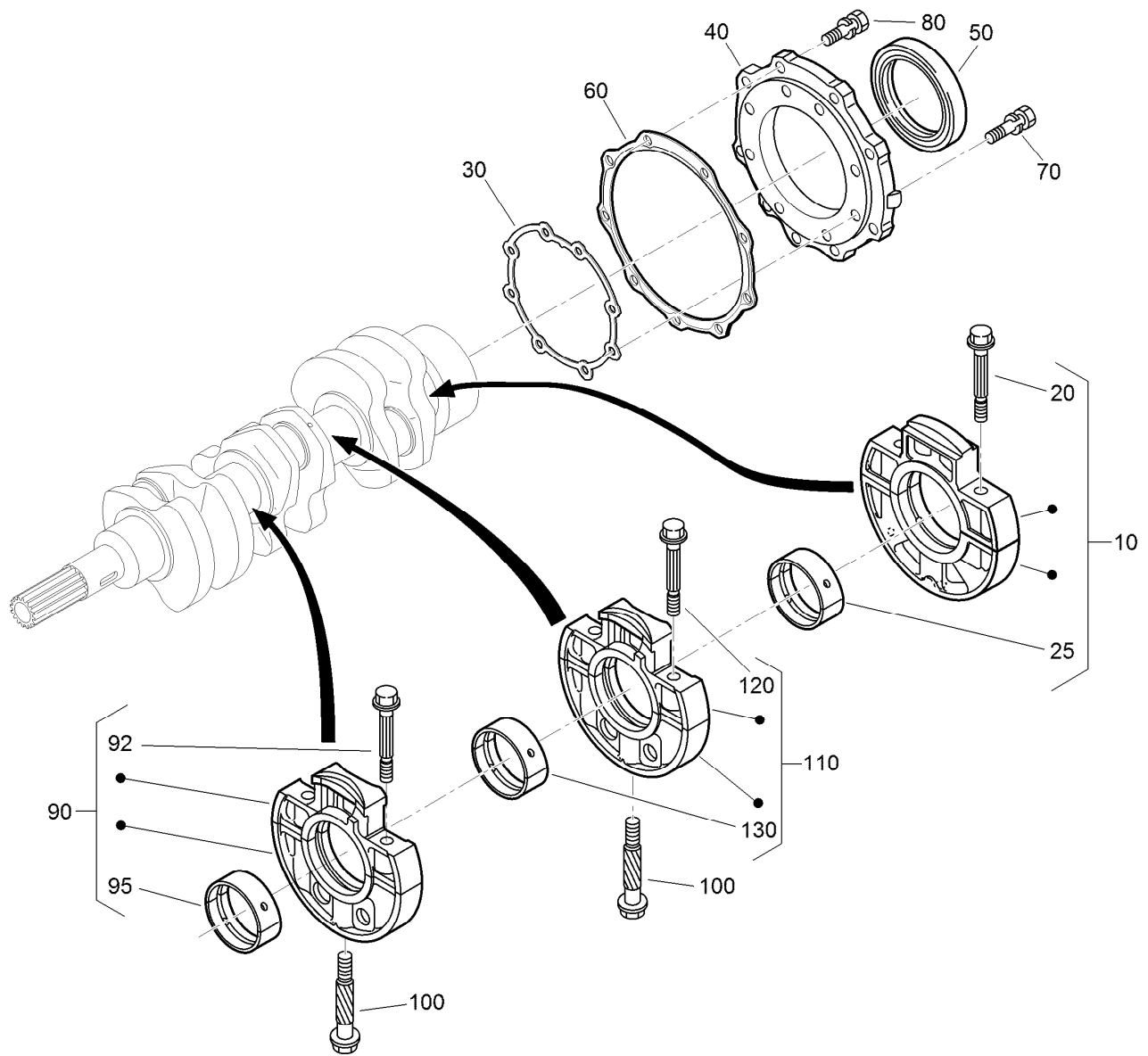
Cylinder Head Cover Assembly

| Ref. | Part Number | Qty. | Description |
|------|-------------|------|-------------------------|
| 10 | 117-8805 | 1 | Cylinder Head Cover ASM |
| 20 | 117-8806 | 1 | Gasket-Cover, Head |
| 30 | 110-3715 | 1 | Valve-Breather |
| 40 | 110-3714 | 1 | Cover-Breather |
| 50 | 98-9364 | 4 | Screw (With Washer) |
| 60 | 98-7766 | 1 | Pipe-Return, Water |
| 70 | 108-7063 | 5 | Bolt |
| 80 | 108-2858 | 1 | Tube-Breather |
| 90 | 108-2859 | 1 | Clamp-Hose |
| 100 | 108-2860 | 1 | Clamp-Hose |
| 110 | 107-9075 | 1 | Plug-Filler, Oil |
| 120 | 99-3446 | 1 | O-Ring |



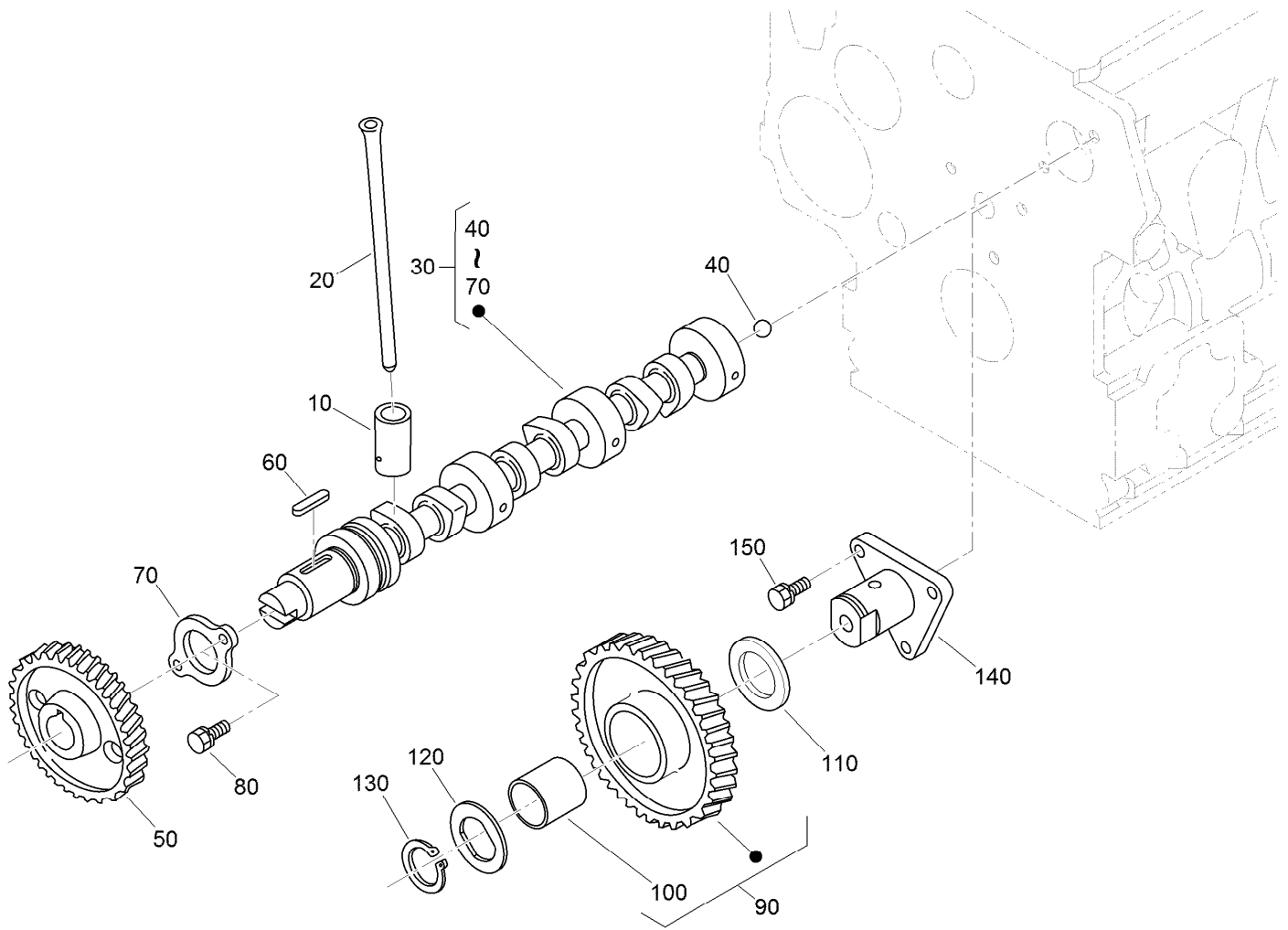
Dipstick and Guide Assembly

| <i>Ref.</i> | <i>Part Number</i> | <i>Qty.</i> | <i>Description</i> |
|-------------|--------------------|-------------|--------------------|
| 10 | 132-4941 | 1 | Gauge-Oil |
| 20 | 132-4942 | 1 | Guide-Gauge, Oil |
| 30 | 98-9722 | 1 | O-Ring |
| 40 | AU126123A1 | 1 | Bolt |
| 50 | 110-3720 | 1 | Plug-Gauge, Oil |



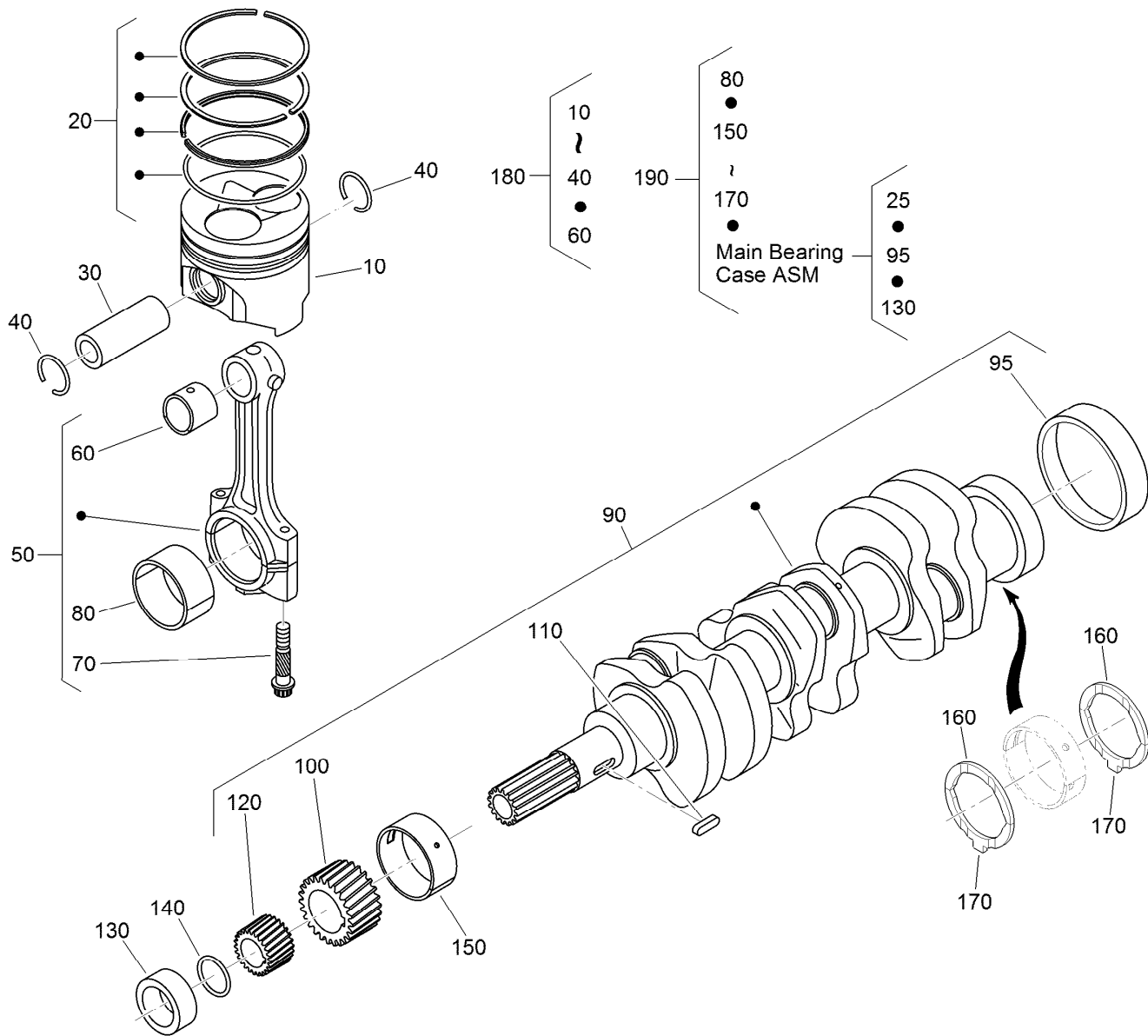
Main Bearing Case Assembly

| Ref. | Part Number | Qty. | Description | Ref. | Part Number | Qty. | Description |
|------|-------------|------|---------------------------|------|-------------|------|-----------------------|
| 10 | 112-7026 | 1 | Wheel Bearing Case ASM | 90 | 117-8809 | 1 | Main Bearing Case ASM |
| 20 | 98-9484 | 2 | Bolt-Case, Bearing | 92 | 98-9484 | 2 | Bolt-Case, Bearing |
| 25 | 115-4121 | 1 | Metal-Crankshaft (STD) | 95 | 117-8810 | 1 | Metal-Crankshaft |
| 25 | 112-7039 | 1 | Metal-Crankshaft (0.2Mm) | 95 | 117-8811 | 1 | Metal-Crankshaft |
| 25 | 112-7040 | 1 | Metal-Crankshaft (-0.4Mm) | 95 | 117-8812 | 1 | Metal-Crankshaft |
| 30 | 131-6554 | 1 | Gasket-Case, Bearing | 100 | 98-9485 | 2 | Bolt-Case, Bearing |
| 40 | 112-7046 | 1 | Cover-Case, Bearing | 110 | 117-8813 | 1 | Main Bearing Case ASM |
| 50 | 112-0180 | 1 | Seal-Oil | 120 | 98-9484 | 2 | Bolt-Case, Bearing |
| 60 | 112-7037 | 1 | Gasket-Cover, Case | 130 | 117-8810 | 1 | Metal-Crankshaft |
| 70 | 127-0441 | 8 | Bolt | 130 | 117-8811 | 1 | Metal-Crankshaft |
| 80 | 127-0442 | 9 | Bolt | 130 | 117-8812 | 1 | Metal-Crankshaft |



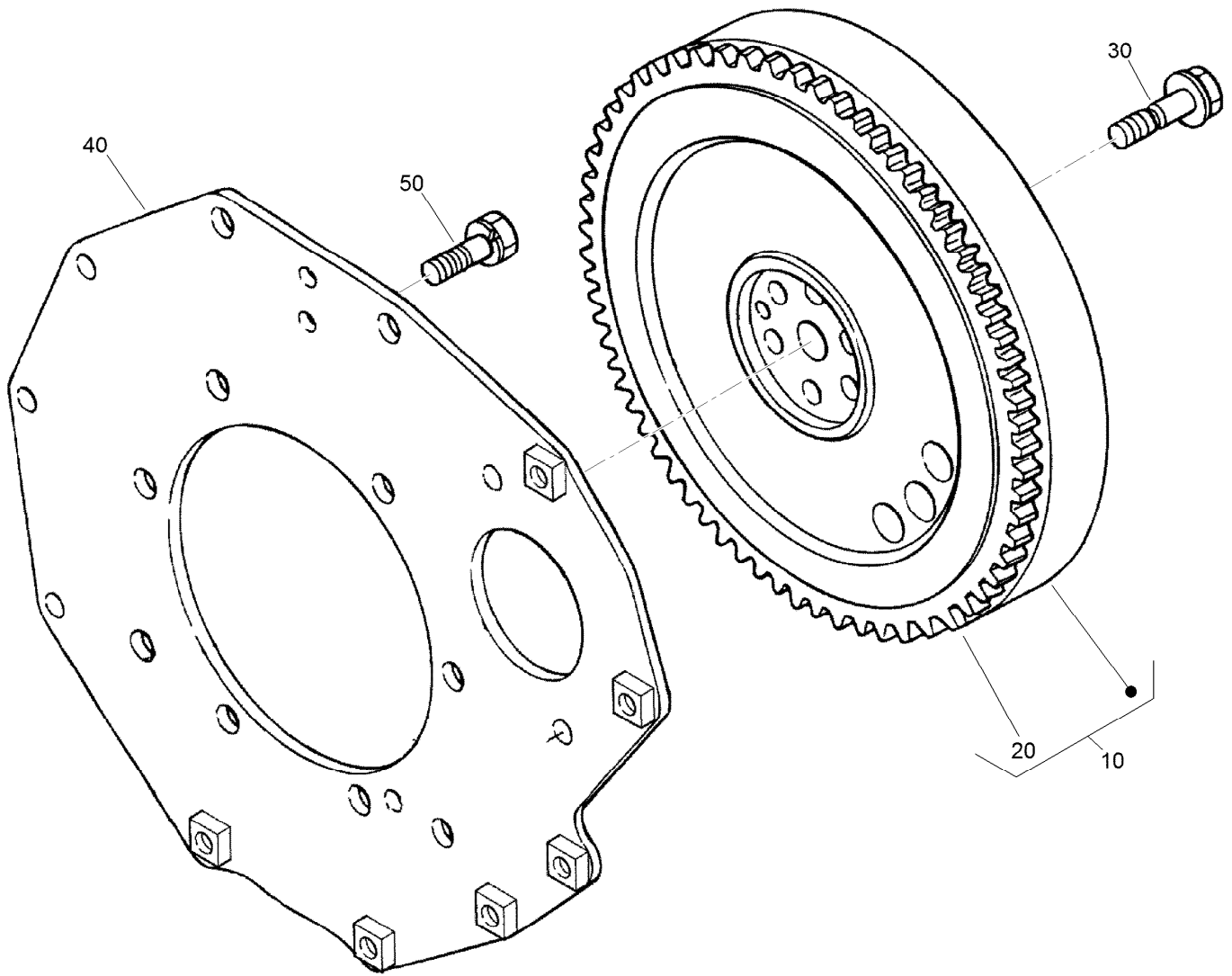
Camshaft and Idle Gear Shaft Assembly

| Ref. | Part Number | Qty. | Description |
|------|-------------|------|--------------------|
| 10 | 112-0185 | 6 | Tappet |
| 20 | 117-8814 | 6 | Rod-Push |
| 30 | 130-1545 | 1 | Camshaft ASM |
| 40 | 110-3729 | 1 | Ball |
| 50 | 120-3116 | 1 | Camshaft ASM |
| 60 | 98-9378 | 1 | Key-Feather |
| 70 | 131-6555 | 1 | Stopper (Camshaft) |
| 80 | 98-7692 | 2 | Bolt |
| 90 | 117-7584 | 1 | Idler Gear ASM |
| 100 | 117-7585 | 1 | Bushing-Gear, Idle |
| 110 | 98-9535 | 1 | Collar-Gear, Idle |
| 120 | 98-9536 | 1 | Collar-Gear, Idle |
| 130 | 98-9534 | 1 | Circlip-Gear, Idle |
| 140 | 98-9533 | 1 | Shaft-Gear, Idle |
| 150 | 98-7692 | 3 | Bolt |



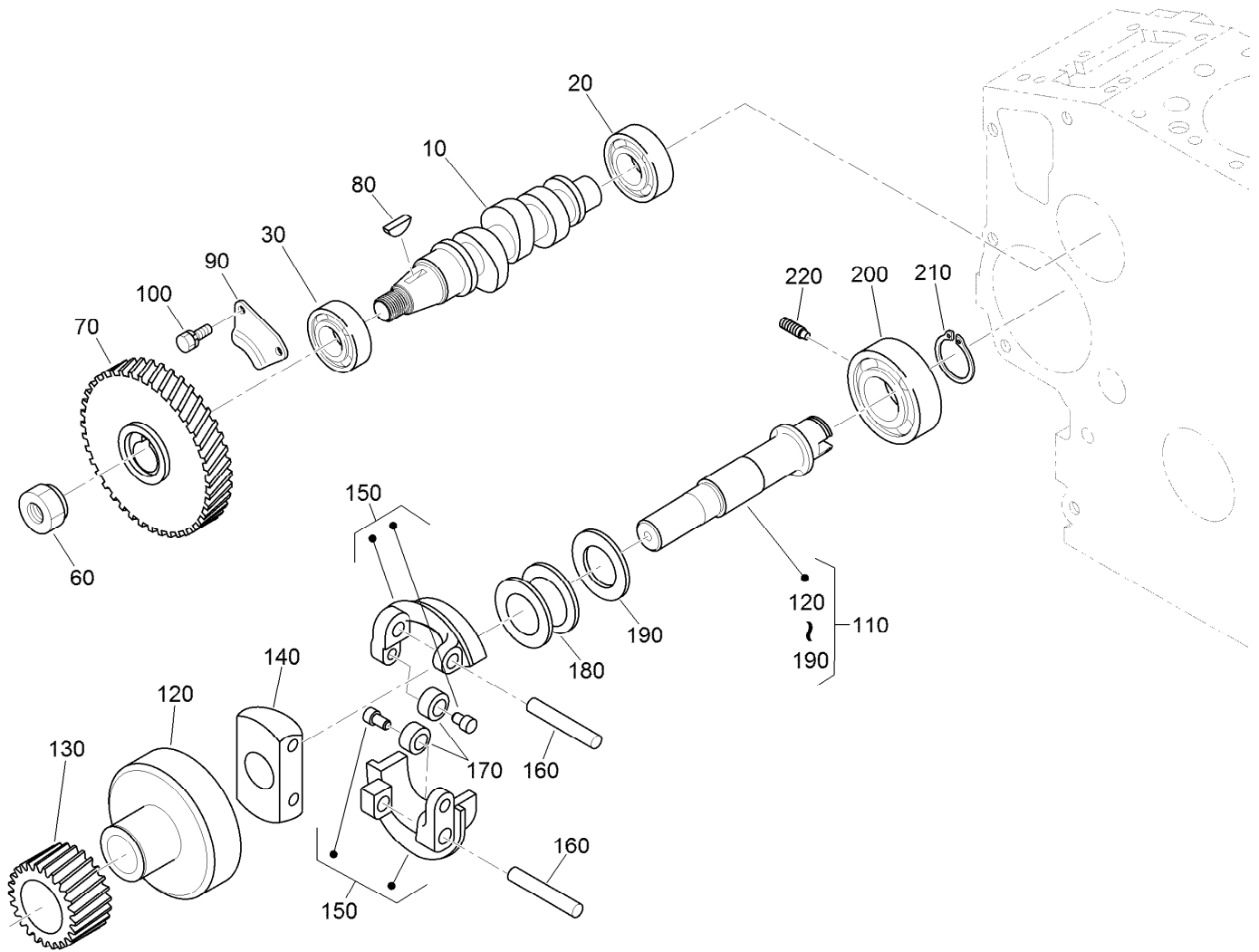
Piston and Crankshaft Assembly

| Ref. | Part Number | Qty. | Description | Ref. | Part Number | Qty. | Description |
|------|-------------|------|---------------------------|------|-------------|------|----------------------|
| 10 | 130-1546 | 3 | Piston (STD) | 130 | 127-0444 | 1 | Collar-Crankshaft |
| 10 | 130-1549 | 3 | Piston (+0.50MM) | 140 | 105-3783 | 1 | O-Ring |
| 20 | 130-1506 | 3 | Piston Ring ASM (STD) | 150 | 117-8818 | 1 | Metal-Crankshaft |
| 20 | 130-1507 | 3 | Piston Ring ASM (+0.50MM) | 150 | 117-8819 | 1 | Metal-Crankshaft |
| 30 | 98-9513 | 3 | Pin-Piston | 150 | 117-8820 | 1 | Metal-Crankshaft |
| 40 | 98-9514 | 6 | Circlip-Pin, Piston | 160 | 98-9413 | 2 | Bearing-Thrust (STD) |
| 50 | 117-7586 | 3 | Connecting Rod ASM | 160 | 127-0416 | 2 | Metal-Side (+0.2Mm) |
| 60 | 115-3014 | 3 | Bushing-Pin, Piston | 160 | 127-0417 | 2 | Metal-Side (+0.40Mm) |
| 70 | 98-9517 | 6 | Bolt-Rod, Connecting | 170 | 98-9688 | 2 | Bearing-Thrust (STD) |
| 80 | 98-9553 | 3 | Bearing-Rod (STD) | 170 | 127-0437 | 2 | Metal-Side (+0.2MM) |
| 80 | 98-9519 | 3 | Bearing-Rod (-0.2MM) | 170 | 127-0438 | 2 | Metal-Side (+0.40MM) |
| 80 | 117-7588 | 3 | Metal-Crankpin (-0.4MM) | 180 | 130-1547 | 3 | Piston Kit |
| 90 | 132-4944 | 1 | Crankshaft ASM | 180 | 130-1548 | 3 | Piston Kit |
| 95 | 98-9522 | 1 | Sleeve-Crankshaft | 190 | 117-8823 | 1 | Engine Metal Kit |
| 100 | 117-7561 | 1 | Gear-Crankshaft | 190 | 117-8824 | 1 | Engine Metal Kit |
| 110 | 98-9666 | 1 | Key | 190 | 117-8825 | 1 | Engine Metal Kit |
| 120 | 127-0445 | 1 | Gear-Drive, Oil Pump | | | | |



Flywheel Assembly

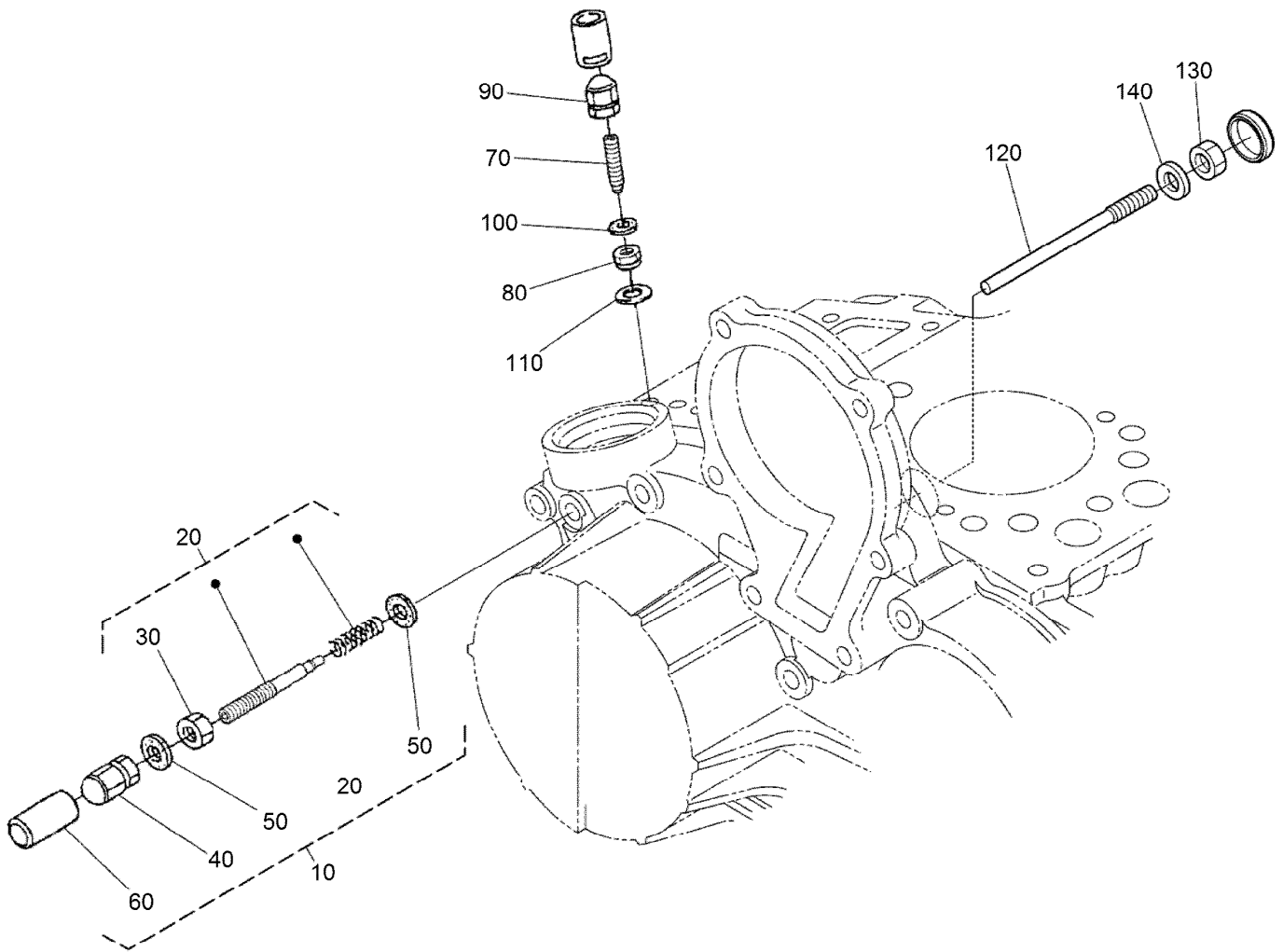
| <i>Ref.</i> | <i>Part Number</i> | <i>Qty.</i> | <i>Description</i> |
|-------------|--------------------|-------------|--------------------|
| 10 | 117-8826 | 1 | Flywheel ASM |
| 20 | 105-3722 | 1 | Gear-Ring |
| 30 | 98-9537 | 6 | Bolt-Flywheel |
| 40 | 98-9486 | 1 | Plate-End, Rear |
| 50 | 98-9392 | 8 | Bolt |



Fuel Camshaft and Governor Shaft Assembly

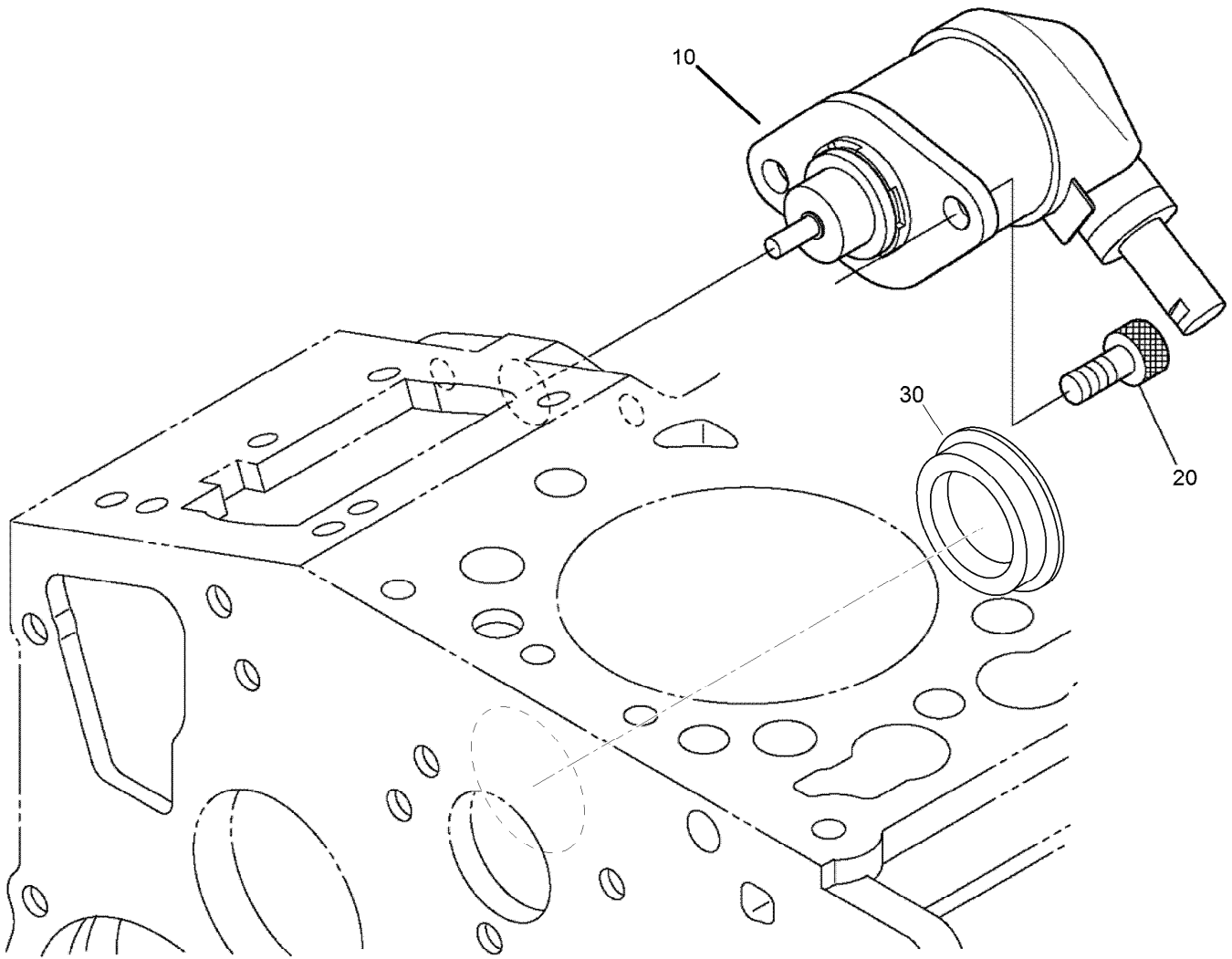
| Ref. | Part Number | Qty. | Description |
|------|-------------|------|------------------------|
| 10 | 98-9459 | 1 | Camshaft-Fuel |
| 20 | 107-9077 | 1 | Bearing-Ball |
| 30 | 107-9078 | 1 | Bearing-Ball |
| 60 | 130-1512 | 1 | Nut |
| 70 | 130-1378 | 1 | Gear-Injection Pump |
| 80 | 98-9595 | 1 | Key-Woodruff |
| 90 | 98-9511 | 1 | Stopper-Fuel, Camshaft |
| 100 | 98-7692 | 2 | Bolt |
| 110 | 98-9644 | 1 | Governor Shaft ASM |
| 120 | 98-9562 | 1 | Holder-Gear, Governor |

| Ref. | Part Number | Qty. | Description |
|------|-------------|------|-------------------------|
| 130 | 98-9673 | 1 | Gear-Governor |
| 140 | 98-9561 | 1 | Holder-Weight, Governor |
| 150 | 98-9559 | 2 | Governor Weight ASM |
| 160 | 98-9560 | 2 | Shaft-Weight, Governor |
| 170 | 98-9692 | 2 | Roller |
| 180 | 98-9563 | 1 | Sleeve-Governor |
| 190 | 98-9564 | 1 | Washer-Thrust |
| 200 | 107-9079 | 1 | Bearing-Ball |
| 210 | 98-9657 | 1 | Circlip-Shaft, Governor |
| 220 | 98-9565 | 1 | Screw-Set |



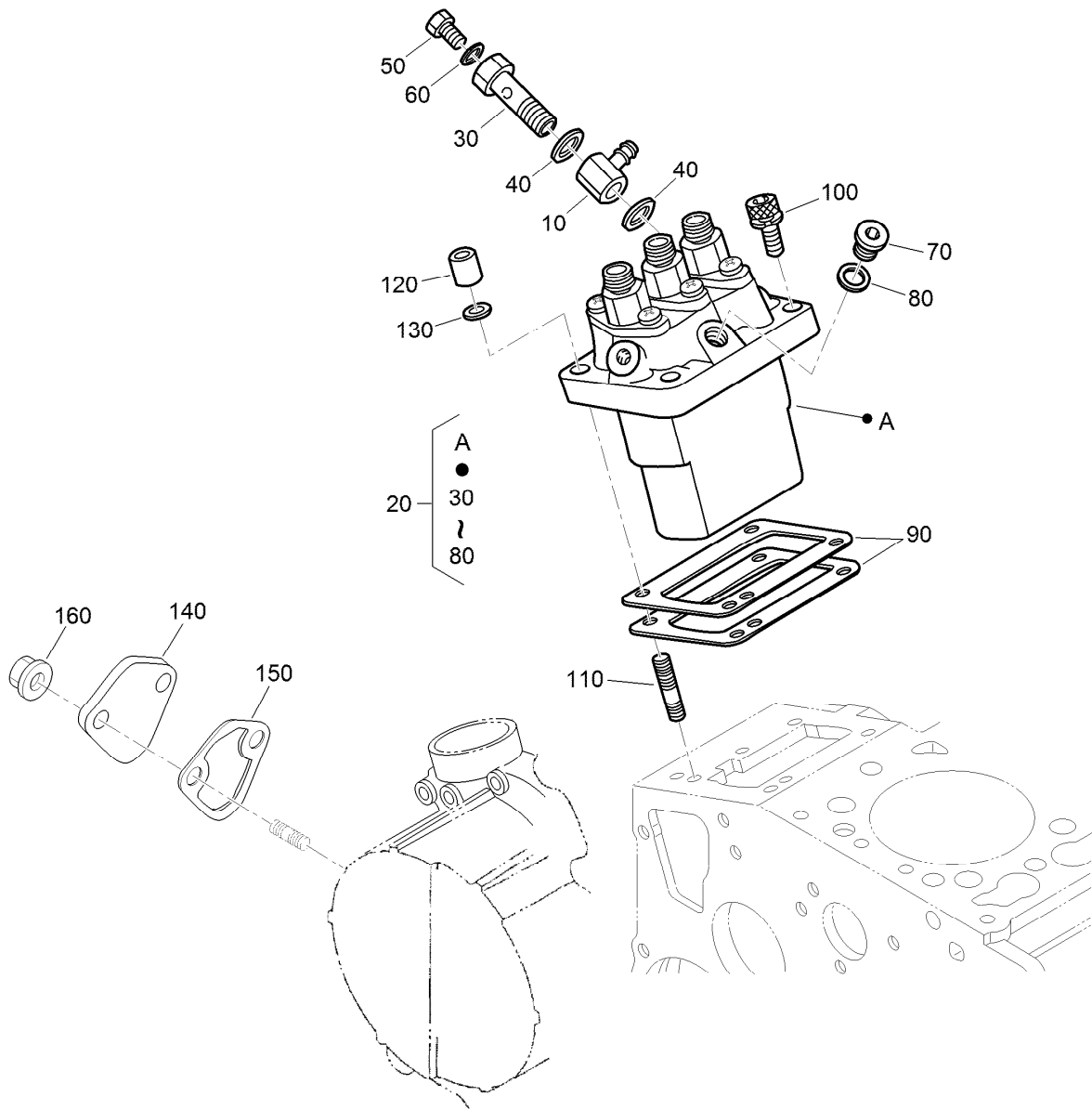
Idle Apparatus Assembly

| <i>Ref.</i> | <i>Part Number</i> | <i>Qty.</i> | <i>Description</i> |
|-------------|--------------------|-------------|---------------------|
| 10 | 132-4937 | 1 | Apparatus-Idling |
| 20 | 132-4938 | 1 | Adjustment Bolt ASM |
| 30 | 98-9439 | 1 | Nut |
| 40 | 112-0181 | 1 | Nut |
| 50 | 98-7654 | 2 | Gasket |
| 60 | 98-7656 | 1 | Cap |
| 70 | 112-7015 | 1 | Bolt-Adjusting |
| 80 | 100-2175 | 1 | Nut-Lock |
| 90 | 112-0181 | 1 | Nut |
| 100 | 98-7654 | 2 | Gasket |
| 110 | 107-9081 | 1 | Gasket |
| 120 | 131-6556 | 1 | Bolt |
| 130 | 98-7572 | 1 | Nut |
| 140 | 98-7654 | 1 | Gasket |



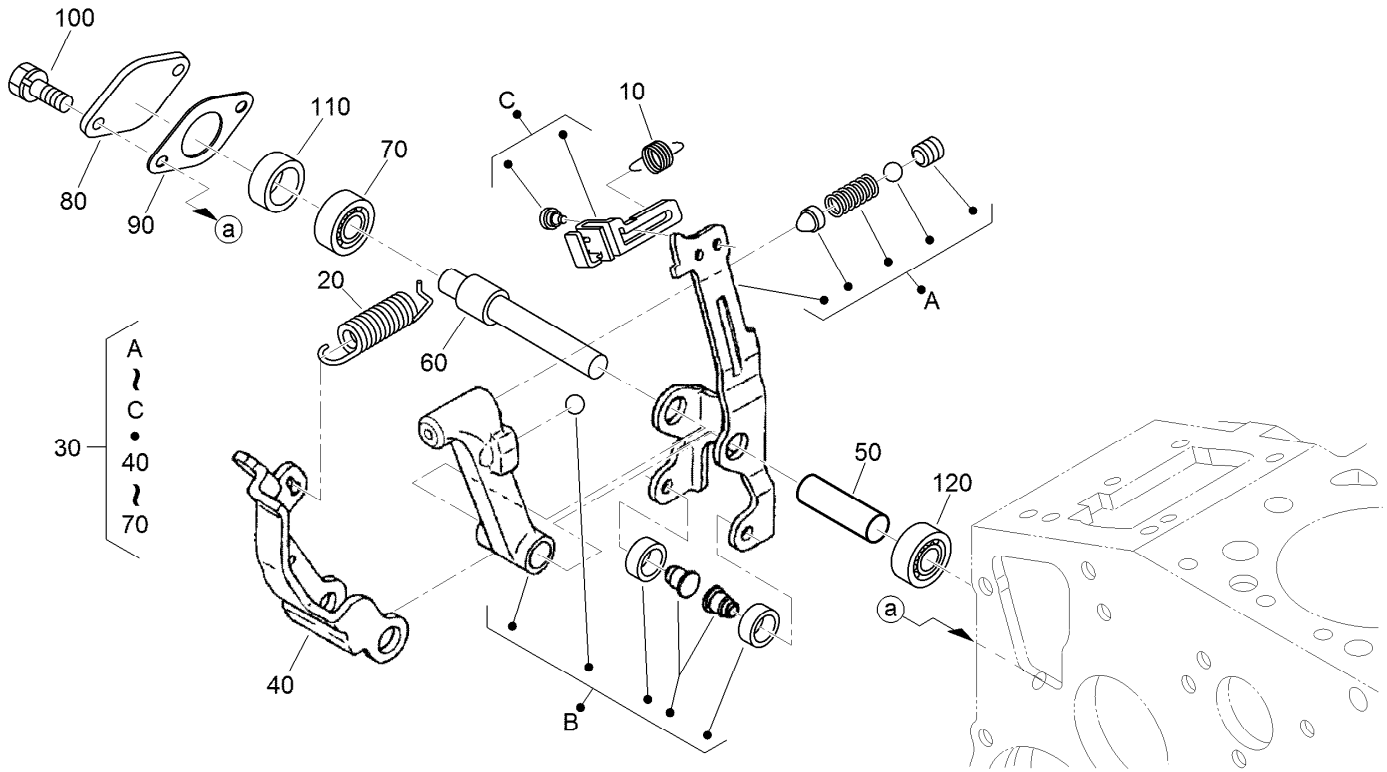
Stop Solenoid Assembly

| <i>Ref.</i> | <i>Part Number</i> | <i>Qty.</i> | <i>Description</i> |
|-------------|--------------------|-------------|--------------------|
| 10 | 104-5155 | 1 | Solenoid-Stop |
| 20 | 130-1155 | 2 | Screw-HSH |
| 30 | 112-7016 | 1 | Cover-Pump |



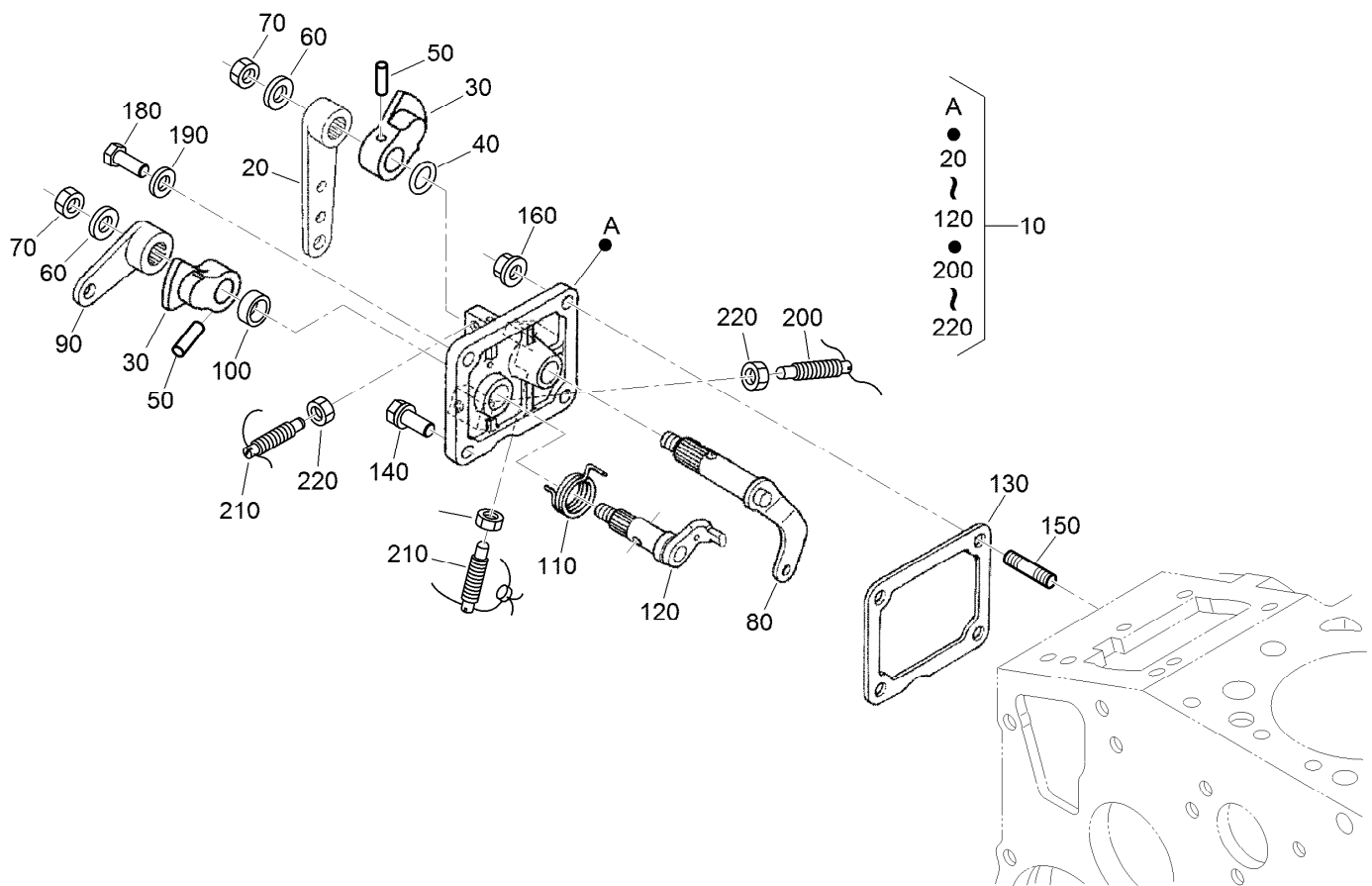
Injection Pump Assembly

| <i>Ref.</i> | <i>Part Number</i> | <i>Qty.</i> | <i>Description</i> | <i>Ref.</i> | <i>Part Number</i> | <i>Qty.</i> | <i>Description</i> |
|-------------|--------------------|-------------|-------------------------|-------------|--------------------|-------------|--------------------------|
| 10 | 98-9596 | 1 | Joint-Eye | 90 | 98-9458 | 1 | Shim-Injection (0.30MM) |
| 20 | 98-9643 | 1 | Injection Pump ASM | 90 | 115-3046 | 1 | Shim-Injection (0.35MM) |
| 30 | 98-9464 | 1 | Bolt-Joint | 90 | 115-3045 | 1 | Shim-Injection (0.175MM) |
| 40 | 98-9445 | 2 | Gasket | 100 | 117-7564 | 2 | Bolt-Hex Soc HD |
| 50 | 98-9430 | 1 | Screw | 110 | 98-9438 | 2 | Stud |
| 60 | 98-9446 | 1 | Gasket | 120 | 98-9440 | 2 | Nut-Cap |
| 70 | 98-9466 | 1 | Plug | 130 | 98-7699 | 2 | Washer-Spring |
| 80 | 98-9451 | 1 | Gasket | 140 | 99-3514 | 1 | Cover |
| 90 | 98-9456 | 1 | Shim-Injection (0.20MM) | 150 | 117-7562 | 1 | Gasket-Pump, Fuel |
| 90 | 98-9457 | 1 | Shim-Injection (0.25MM) | 160 | 100-2203 | 2 | Nut-Flange |



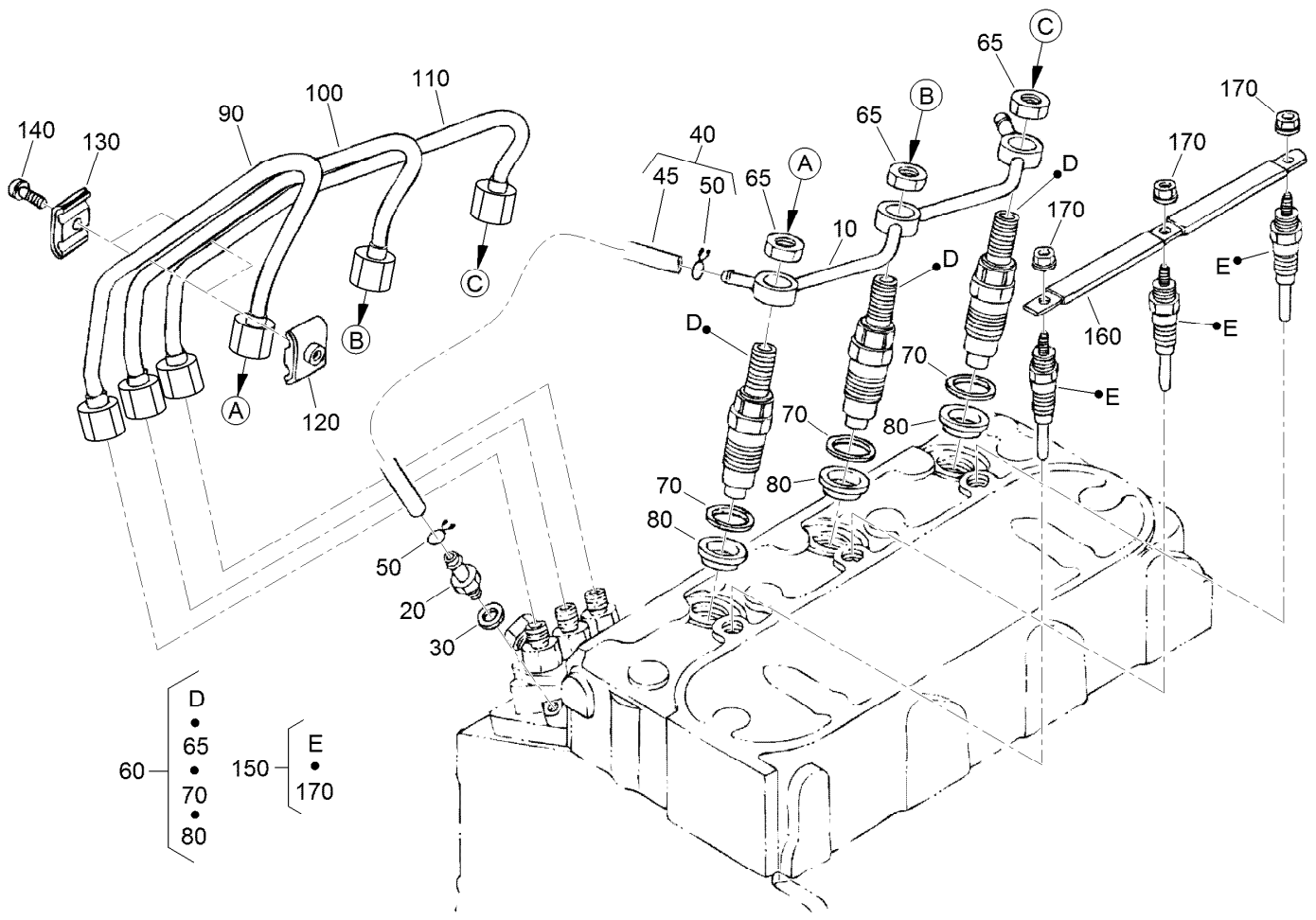
Governor Assembly

| Ref. | Part Number | Qty. | Description |
|------|-------------|------|-------------------------|
| 10 | 105-3786 | 1 | Spring-Start |
| 20 | 107-7839 | 1 | Spring-Governor |
| 30 | 115-4502 | 1 | Fork Lever ASM |
| 40 | 107-9084 | 1 | Lever-Fork |
| 50 | 107-9085 | 1 | Shaft-Lever, Fork |
| 60 | 107-9086 | 1 | Shaft-Lever, Fork |
| 70 | 98-9570 | 1 | Bearing-Miniaturize |
| 80 | 115-4122 | 1 | Cover-Shaft, Fork Lever |
| 90 | 98-9682 | 1 | Gasket |
| 100 | 98-9350 | 2 | Bolt |
| 110 | 98-9567 | 1 | Collar |
| 120 | 98-9571 | 1 | Bearing-Miniaturize |



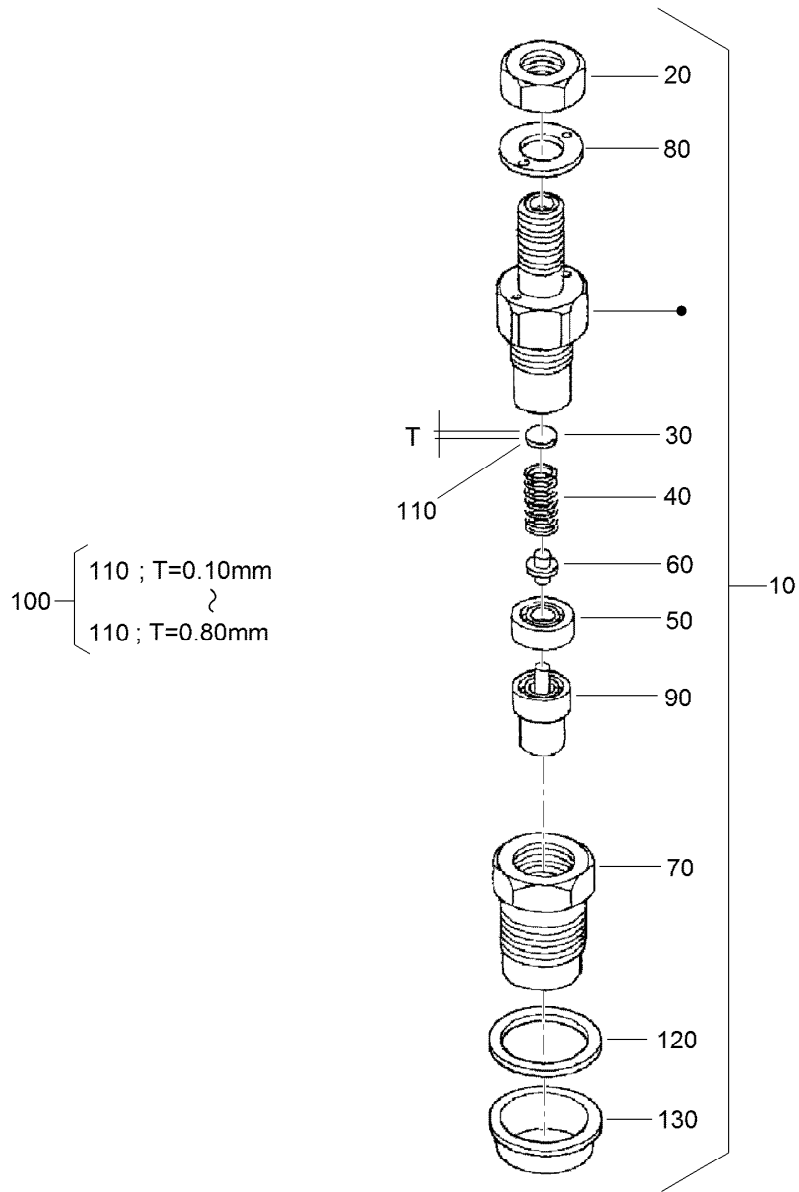
Speed Control Plate Assembly

| Ref. | Part Number | Qty. | Description | Ref. | Part Number | Qty. | Description |
|------|-------------|------|----------------------|------|-------------|------|-------------------|
| 10 | 98-9661 | 1 | Control Plate ASM | 120 | 98-9664 | 1 | Shaft-Lever, Stop |
| 20 | 98-9662 | 1 | Lever-Control, Speed | 130 | 98-9637 | 1 | Gasket |
| 30 | 98-9572 | 2 | Lever-Control, Speed | 140 | 98-7692 | 1 | Bolt |
| 40 | 105-3788 | 1 | O-Ring | 150 | 105-3710 | 2 | Stud |
| 50 | 98-7602 | 2 | Pin-Spring | 160 | 100-2203 | 2 | Nut-Flange |
| 60 | 98-9594 | 2 | Washer-Plain | 180 | 127-0401 | 1 | Bolt-Hex |
| 70 | 98-9589 | 2 | Nut | 190 | 98-7654 | 1 | Gasket |
| 80 | 98-9658 | 1 | Governor Lever ASM | 200 | 117-7566 | 1 | Bolt-Adjusting |
| 90 | 98-9663 | 1 | Lever-Stop, Engine | 210 | 117-7565 | 2 | Bolt-Adjusting |
| 100 | 98-7601 | 1 | Seal-Oil | 220 | 98-7572 | 3 | Nut |
| 110 | 98-9472 | 1 | Spring-Return | | | | |



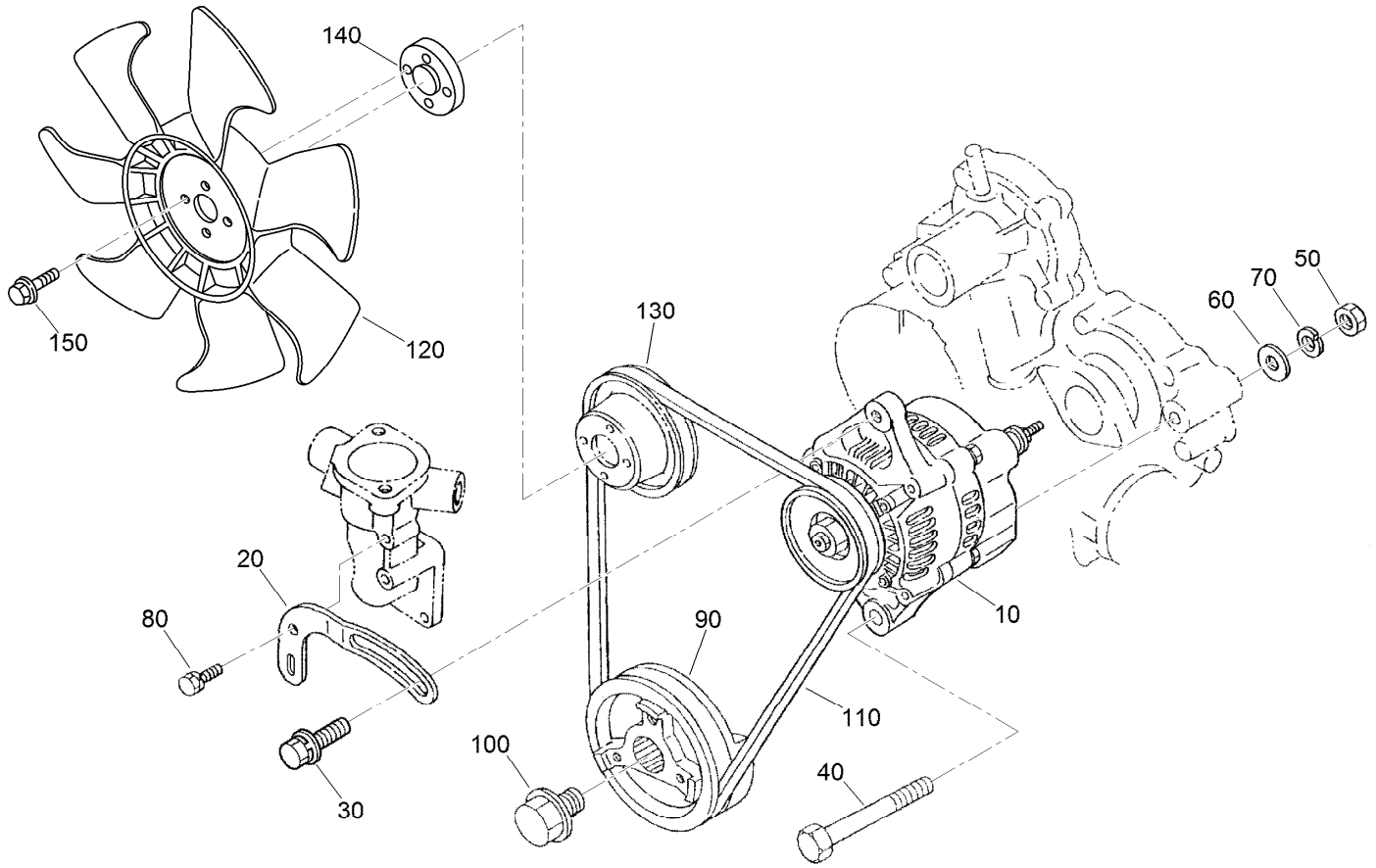
Nozzle Holder and Glow Plug Assembly

| <i>Ref.</i> | <i>Part Number</i> | <i>Qty.</i> | <i>Description</i> | <i>Ref.</i> | <i>Part Number</i> | <i>Qty.</i> | <i>Description</i> |
|-------------|--------------------|-------------|--------------------|-------------|--------------------|-------------|--------------------|
| 10 | 98-9620 | 1 | Overflow Pipe ASM | 90 | 132-4945 | 1 | Pipe Injection |
| 20 | 98-9431 | 1 | Screw-Bleeder, Air | 100 | 132-4946 | 1 | Pipe Injection |
| 30 | 98-7654 | 1 | Gasket | 110 | 132-4947 | 1 | Pipe Injection |
| 40 | 98-9420 | 1 | Overflow Pipe ASM | 120 | 98-7682 | 2 | Clamp-Pipe |
| 45 | 112-0182 | 1 | Pipe-Overflow | 130 | 98-7683 | 2 | Clamp-Pipe |
| 50 | 98-7671 | 2 | Clip-Pipe | 140 | 98-7684 | 2 | Screw (W/Washer) |
| 60 | 115-3018 | 3 | Nozzle Holder Kit | 150 | 130-1411 | 3 | Plug-Glow |
| 65 | 121-2411 | 3 | Nut | 160 | 98-9631 | 1 | Cord-Plug, Glow |
| 70 | 98-7676 | 3 | Gasket | 170 | 99-8377 | 3 | Nut-Flange |
| 80 | 98-7677 | 3 | Seal-Heat | | | | |



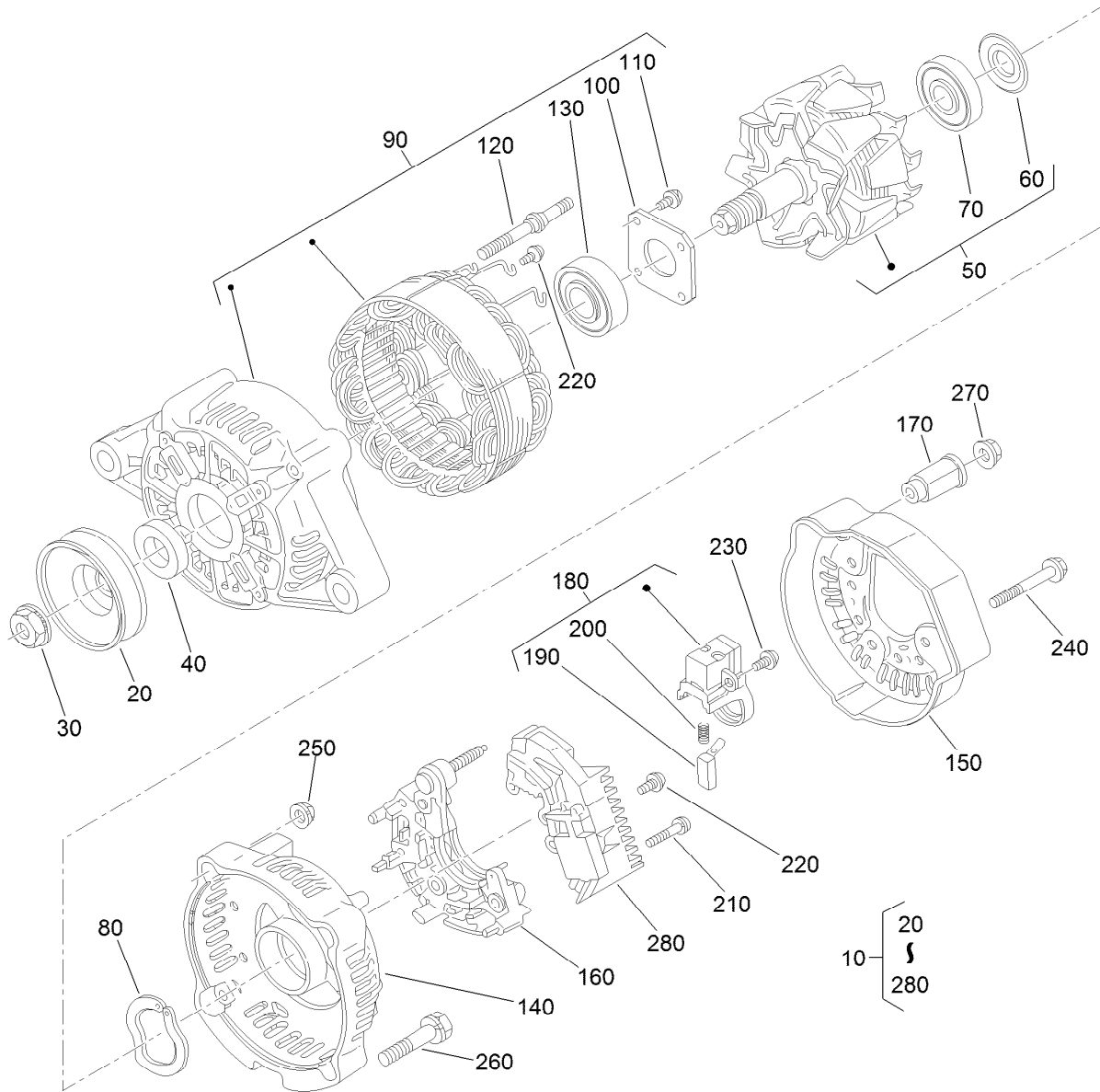
Nozzle Holder Assembly

| Ref. | Part Number | Qty. | Description | Ref. | Part Number | Qty. | Description |
|------|-------------|------|------------------------|------|-------------|------|------------------------|
| 10 | 115-3018 | 3 | Nozzle Holder Kit | 110 | 99-8311 | 3 | Washer-Adjust (0.20MM) |
| 20 | 121-2411 | 3 | Nut | 110 | 99-8312 | 3 | Washer-Adjust (0.30MM) |
| 30 | 99-8302 | 3 | Washer-Adjusting | 110 | 99-8313 | 3 | Washer-Adjust (0.40MM) |
| 40 | 99-8303 | 3 | Spring-Nozzle | 110 | 99-8314 | 3 | Washer-Adjust (0.50MM) |
| 50 | 99-8304 | 3 | Spacer-Distance | 110 | 99-8315 | 3 | Washer-Adjust (0.52MM) |
| 60 | 99-8305 | 3 | Rod-Push | 110 | 99-8316 | 3 | Washer-Adjust (0.54MM) |
| 70 | 99-8306 | 3 | Nut-Nozzle | 110 | 99-8317 | 3 | Washer-Adjust (0.56MM) |
| 80 | 99-8307 | 3 | Washer-Plain | 110 | 99-8318 | 3 | Washer-Adjust (0.58MM) |
| 90 | 115-3020 | 3 | Piece-Nozzle | 110 | 99-8319 | 3 | Washer-Adjust (0.80MM) |
| 100 | 99-8309 | 3 | Adjusting Washer ASM | 120 | 98-7676 | 3 | Gasket |
| 110 | 99-8310 | 3 | Washer-Adjust (0.10MM) | 130 | 98-7677 | 3 | Seal-Heat |



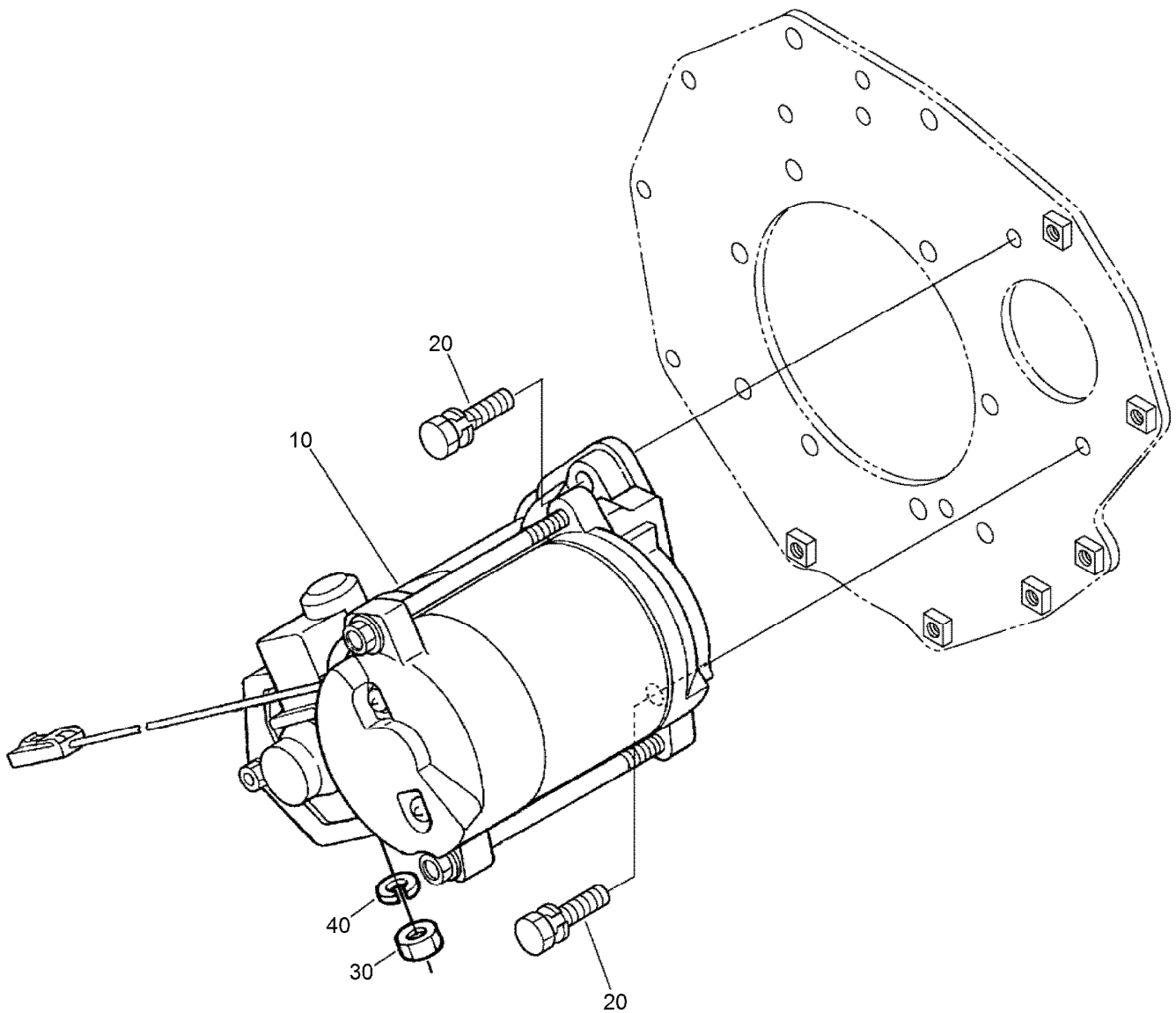
Alternator and Pulley Assembly

| Ref. | Part Number | Qty. | Description |
|------|-------------|------|-------------------|
| 10 | 131-6557 | 1 | Alternator ASM |
| 20 | 112-7047 | 1 | Stay-Dynamo |
| 30 | 108-7088 | 1 | Bolt |
| 40 | 98-9360 | 1 | Bolt |
| 50 | 98-7737 | 1 | Nut |
| 60 | 98-9366 | 1 | Washer-Plain |
| 70 | 99-7527 | 1 | Washer-Spring |
| 80 | 98-7692 | 1 | Bolt |
| 90 | 117-8830 | 1 | Pulley-Drive, Fan |
| 100 | 98-9585 | 1 | Bolt |
| 110 | 98-9676 | 1 | V-Belt |
| 120 | 104-4246 | 1 | Fan-Engine |
| 130 | 98-9584 | 1 | Pulley-Fan |
| 140 | 104-4247 | 1 | Spacer-Fan |
| 150 | 108-2873 | 4 | Bolt-Flange |



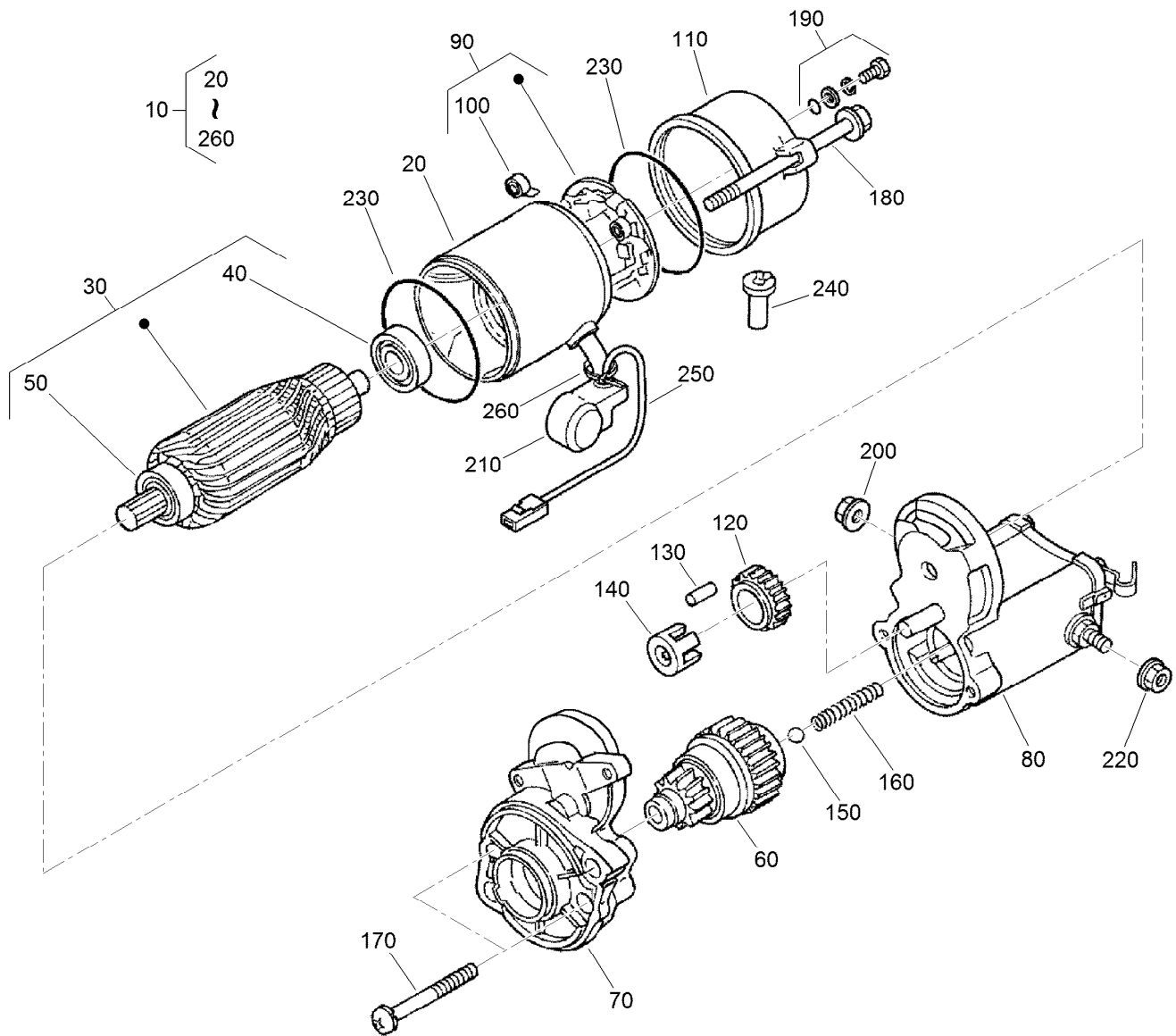
Alternator Components Assembly

| Ref. | Part Number | Qty. | Description | Ref. | Part Number | Qty. | Description |
|------|-------------|------|---------------------|------|-------------|------|--------------------|
| 10 | 131-6557 | 1 | Alternator ASM | 150 | 107-0140 | 1 | Cover-End |
| 20 | 98-9453 | 1 | Pulley-Dynamo | 160 | 98-7721 | 1 | Rectifier ASM |
| 30 | 98-7708 | 1 | Nut | 170 | 98-7722 | 1 | Bushing-Insulation |
| 40 | 98-7709 | 1 | Collar | 180 | 107-0141 | 1 | Brush Holder ASM |
| 50 | 107-0136 | 1 | Rotor ASM | 190 | 98-7724 | 2 | Brush |
| 60 | 98-7711 | 1 | Cover-Bearing | 200 | 98-7725 | 2 | Spring-Brush |
| 70 | 107-0138 | 1 | Bearing-Ball | 210 | 98-7726 | 2 | Screw-Head, Round |
| 80 | 98-7713 | 1 | Washer-Thrust | 220 | 98-7727 | 6 | Screw-Head, Round |
| 90 | 107-0139 | 1 | Drive End Frame ASM | 230 | 98-7728 | 1 | Screw-Head, Round |
| 100 | 98-7715 | 1 | Plate-Retainer | 240 | 98-7729 | 3 | Bolt |
| 110 | 98-7716 | 4 | Screw-Head, Round | 250 | 98-7730 | 2 | Nut |
| 120 | 98-7717 | 2 | Bolt-Through | 260 | 98-7731 | 2 | Bolt |
| 130 | 133-2811 | 1 | Bearing | 270 | 98-7732 | 1 | Nut |
| 140 | 107-9087 | 1 | Frame-End | 280 | 110-3799 | 1 | Regulator ASM |



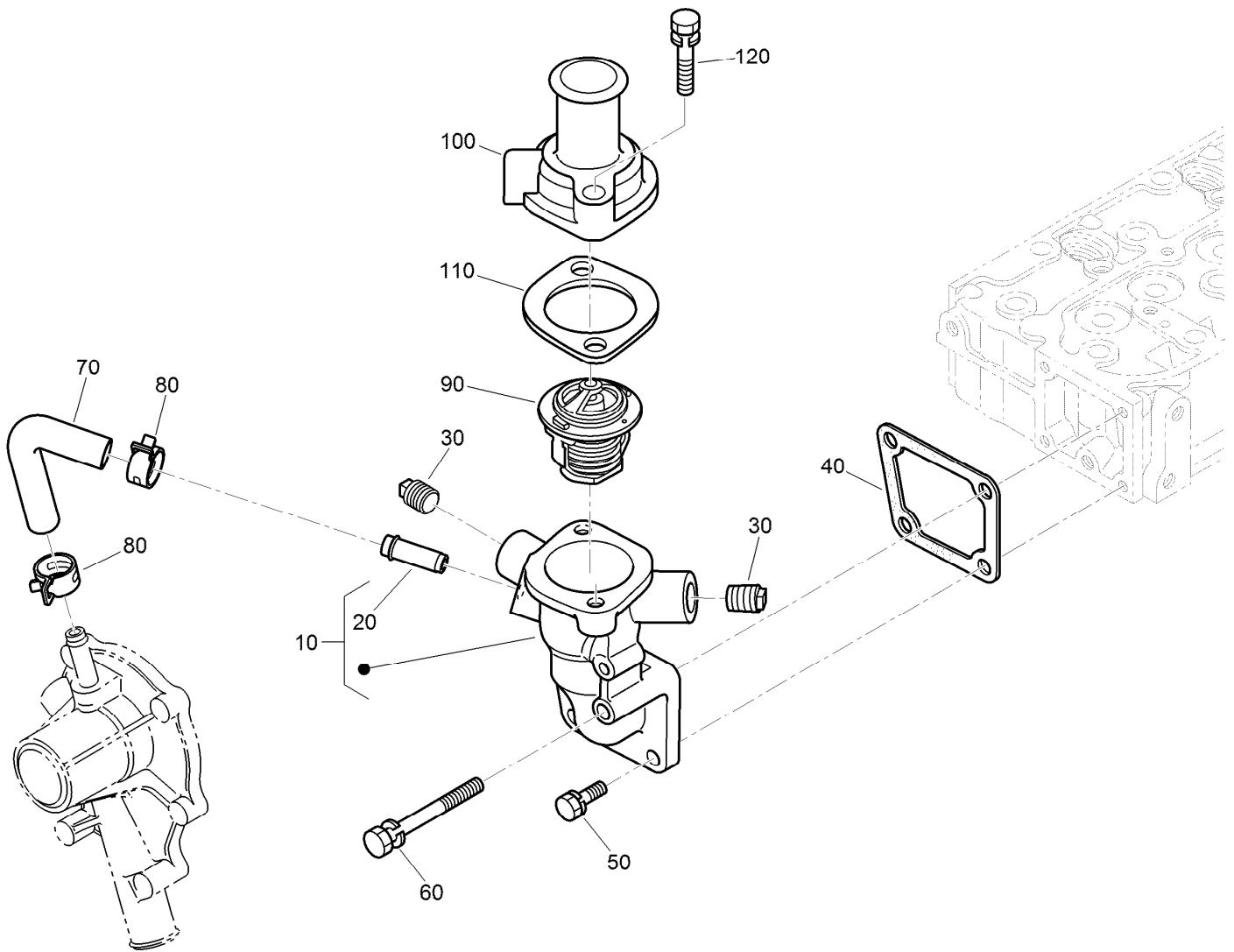
Starter Installation Assembly

| <i>Ref.</i> | <i>Part Number</i> | <i>Qty.</i> | <i>Description</i> |
|-------------|--------------------|-------------|--------------------|
| 10 | 132-4948 | 1 | Starter |
| 20 | 98-7697 | 2 | Bolt |
| 30 | 98-7739 | 1 | Nut |
| 40 | 105-2893 | 1 | Washer-Spring |



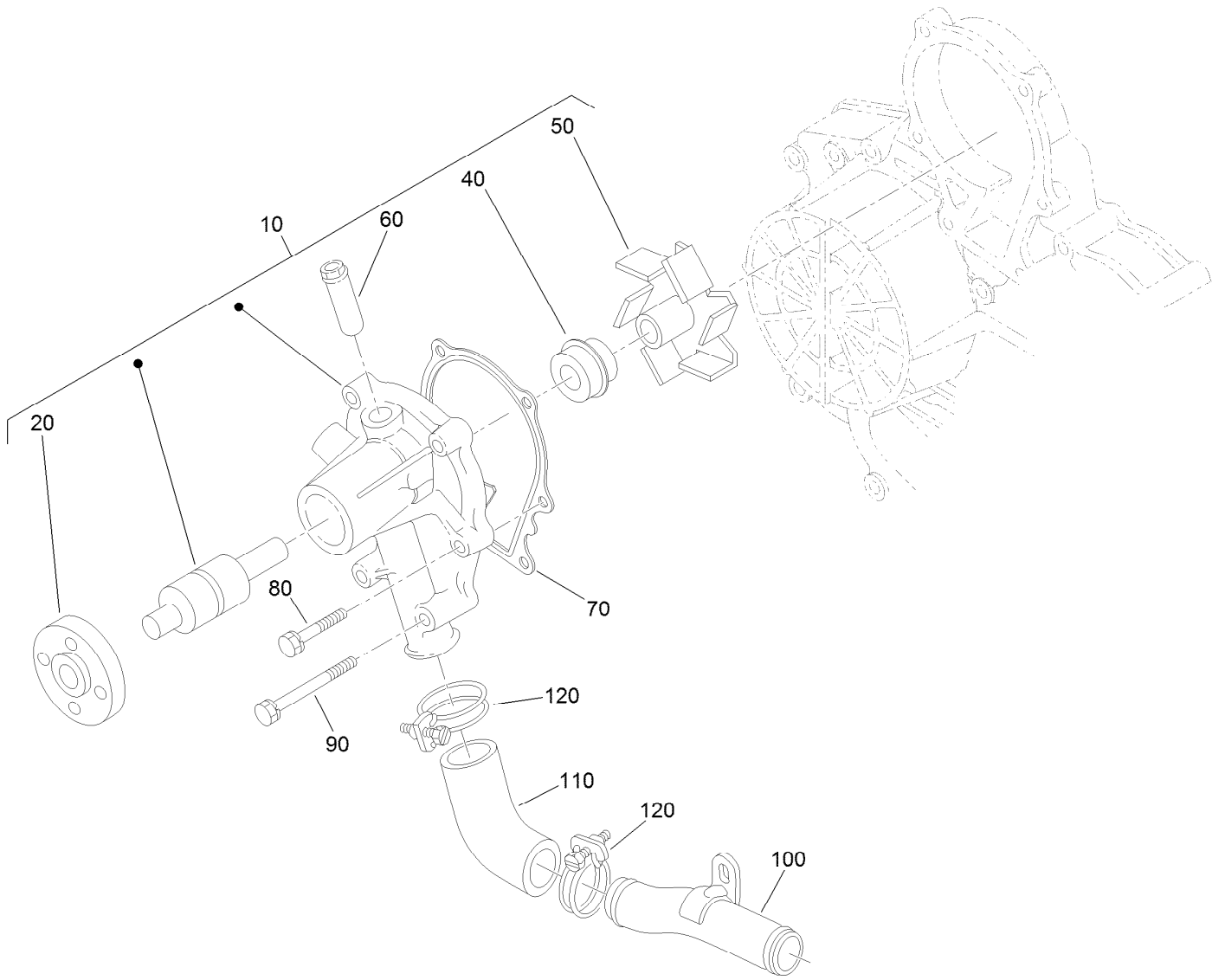
Starter Component Assembly

| <i>Ref.</i> | <i>Part Number</i> | <i>Qty.</i> | <i>Description</i> | <i>Ref.</i> | <i>Part Number</i> | <i>Qty.</i> | <i>Description</i> |
|-------------|--------------------|-------------|---------------------|-------------|--------------------|-------------|---------------------|
| 10 | 132-4948 | 1 | Starter | 140 | 98-7752 | 1 | Retainer |
| 20 | 132-4949 | 1 | Yoke | 150 | 98-7755 | 1 | Ball |
| 30 | 132-4930 | 1 | Armature | 160 | 98-7754 | 1 | Spring |
| 40 | 98-7743 | 1 | Bearing | 170 | 98-7756 | 2 | Bolt |
| 50 | 98-7744 | 1 | Bearing | 180 | 100-2210 | 2 | Bolt-Through |
| 60 | 132-4934 | 1 | Clutch ASM | 190 | 98-7758 | 2 | Bolt ASM |
| 70 | 132-4933 | 1 | Housing ASM | 200 | 99-8376 | 1 | Nut-Hex |
| 80 | 105-3746 | 1 | Magnetic Switch ASM | 210 | 99-8375 | 1 | Cover |
| 90 | 132-4932 | 1 | Holder-Brush | 220 | 99-8371 | 1 | Nut-Hex |
| 100 | 132-4931 | 4 | Spring-Brush | 230 | 98-7757 | 2 | O-Ring |
| 110 | 132-4935 | 1 | Frame End ASM | 240 | 98-7759 | 1 | Pipe-Drain |
| 120 | 98-7751 | 1 | Gear | 250 | 98-9711 | 1 | Cord-Solenoid, Stop |
| 130 | 98-7753 | 5 | Roller | 260 | 98-9712 | 1 | Band-Cover |



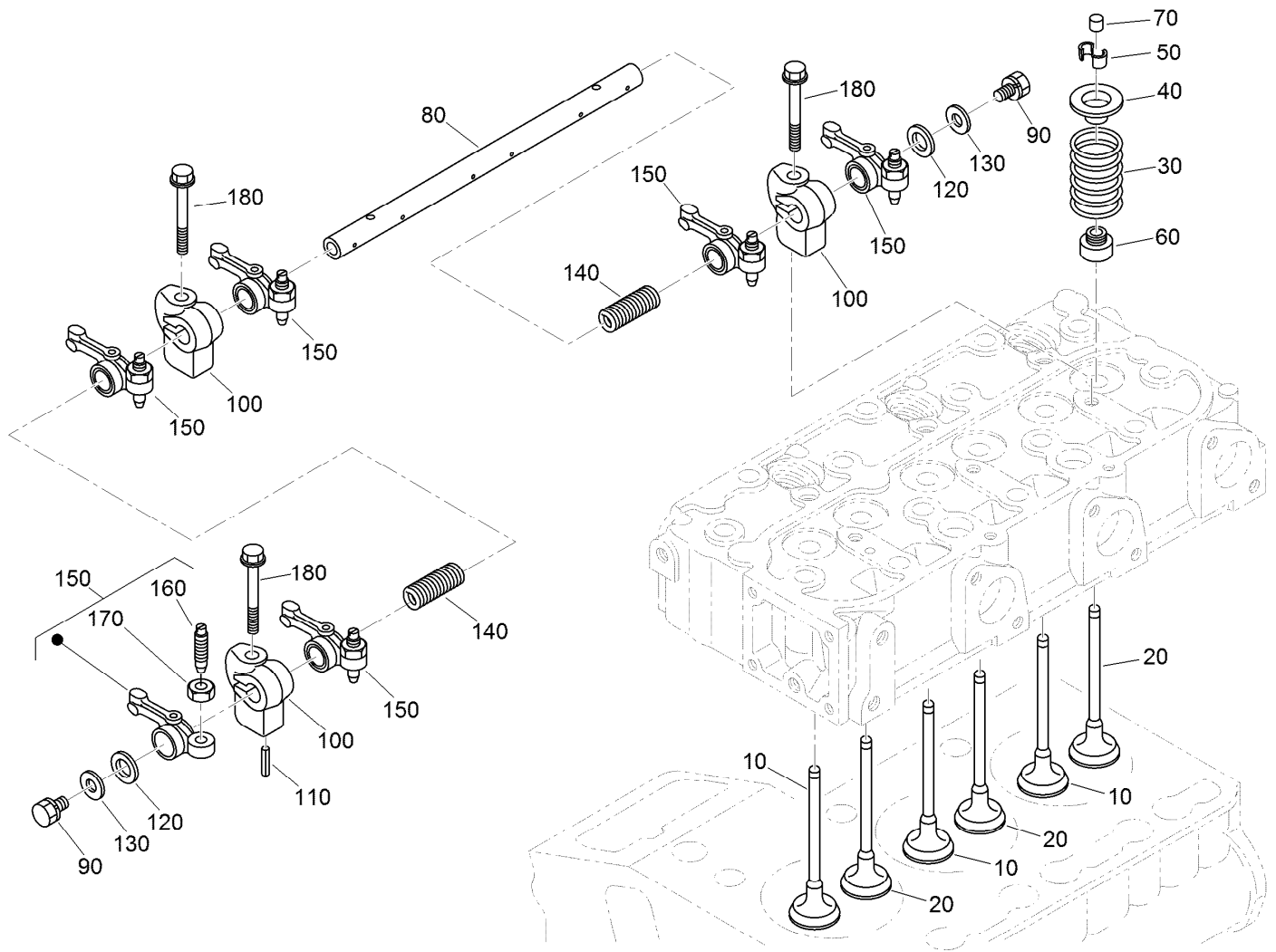
Water Flange and Thermostat Assembly

| <i>Ref.</i> | <i>Part Number</i> | <i>Qty.</i> | <i>Description</i> |
|-------------|--------------------|-------------|----------------------|
| 10 | 132-4943 | 1 | Water Flange ASM |
| 20 | 98-9580 | 1 | Pipe-Return, Water |
| 30 | 110-3821 | 2 | Plug |
| 40 | 98-9638 | 1 | Gasket-Flange, Water |
| 50 | 98-7692 | 3 | Bolt |
| 60 | 98-9356 | 1 | Bolt |
| 70 | 98-9578 | 1 | Pipe-Return, Water |
| 80 | 125-9078 | 2 | Clamp-Hose |
| 90 | 98-7778 | 1 | Thermostat ASM |
| 100 | 98-9471 | 1 | Cover-Thermostat |
| 110 | 105-3748 | 1 | Gasket-Thermostat |
| 120 | 98-7777 | 2 | Bolt |



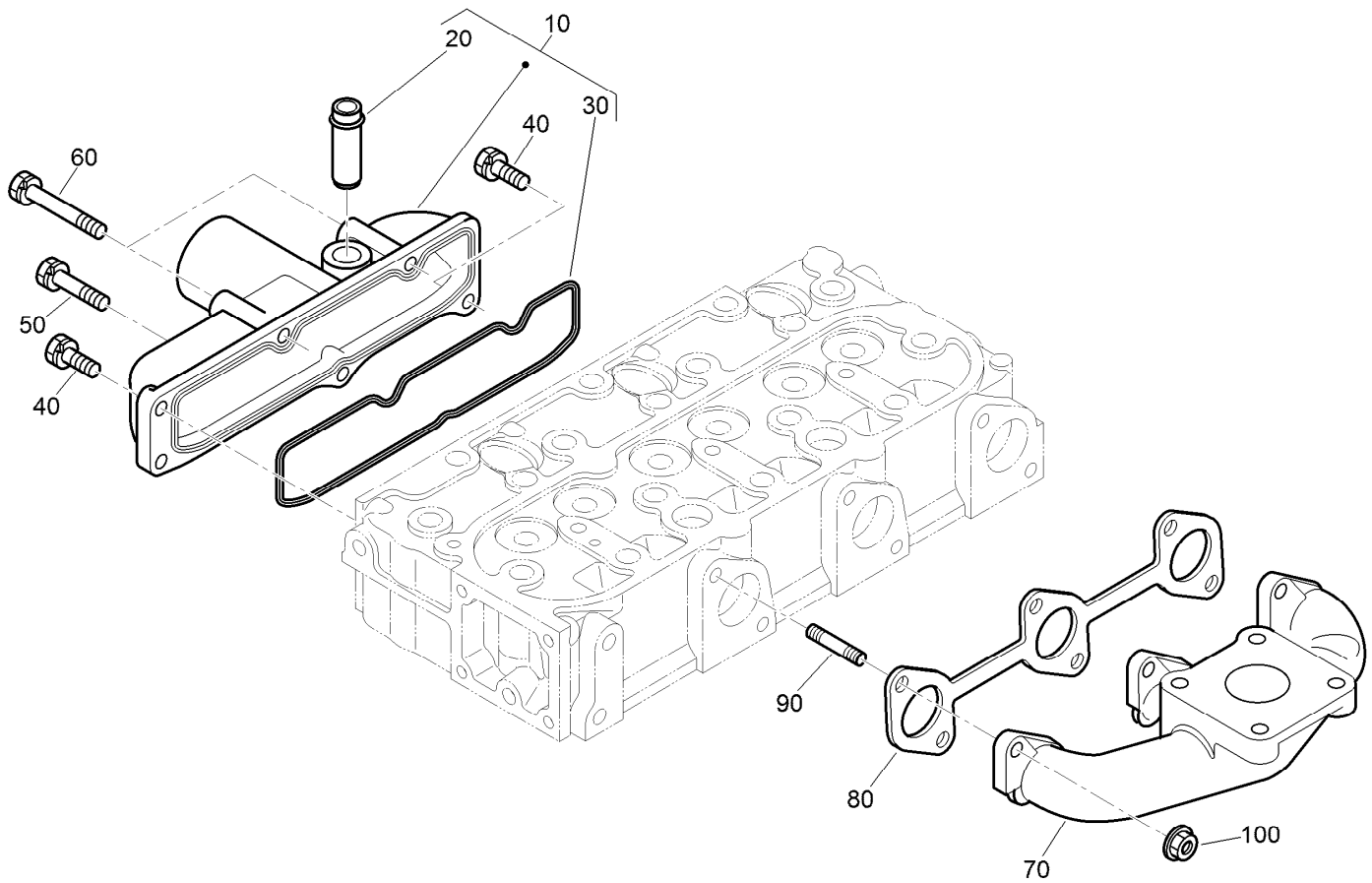
Water Pump Assembly

| Ref. | Part Number | Qty. | Description |
|-------------|--------------------|-------------|----------------------|
| 10 | 107-9089 | 1 | Water Pump ASM |
| 20 | 99-3516 | 1 | Flange-Pump, Water |
| 40 | 105-3750 | 1 | Mechanical Seal ASM |
| 50 | 112-7017 | 1 | Impeller-Pump, Water |
| 60 | 100-1932 | 1 | Pipe-Return, Water |
| 70 | 99-3454 | 1 | Gasket-Pump, Water |
| 80 | 98-9353 | 4 | Bolt |
| 90 | 107-9090 | 4 | Bolt |
| 100 | 98-9716 | 1 | Pipe-Water |
| 110 | 107-9091 | 1 | Pipe-Water |
| 120 | 127-0439 | 2 | Clamp-Hose |



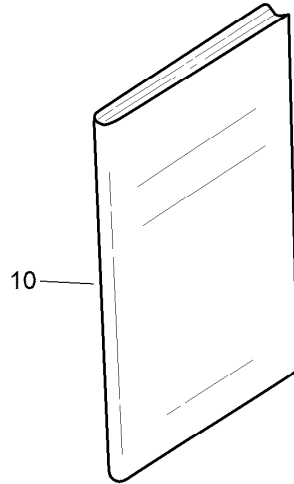
Valve and Rocker Arm Assembly

| <i>Ref.</i> | <i>Part Number</i> | <i>Qty.</i> | <i>Description</i> | <i>Ref.</i> | <i>Part Number</i> | <i>Qty.</i> | <i>Description</i> |
|-------------|--------------------|-------------|----------------------|-------------|--------------------|-------------|--------------------------|
| 10 | 112-7018 | 3 | Valve-Inlet | 100 | 98-9505 | 3 | Bracket-Arm, Rocker |
| 20 | 120-2564 | 3 | Valve-Exhaust | 110 | 105-3758 | 1 | Pin-Spring |
| 30 | 98-9648 | 6 | Spring-Valve | 120 | 98-9507 | 2 | Washer-Shaft, Rocker Arm |
| 40 | 107-9092 | 6 | Retainer-Spring | 130 | 110-3832 | 2 | Washer-Plain |
| 50 | 98-9390 | 6 | Collet-Spring, Valve | 140 | 98-9504 | 2 | Spring-Arm, Rocker |
| 60 | 99-8385 | 6 | Seal-Stem, Valve | 150 | 112-7020 | 6 | Rocker Arm ASM |
| 70 | 98-9497 | 6 | Cap-Valve | 160 | 98-9502 | 6 | Screw-Adjusting |
| 80 | 130-1248 | 1 | Shaft-Arm, Rocker | 170 | 98-9503 | 6 | Nut |
| 90 | 108-2873 | 2 | Bolt-Flange | 180 | 117-8832 | 3 | Bolt |



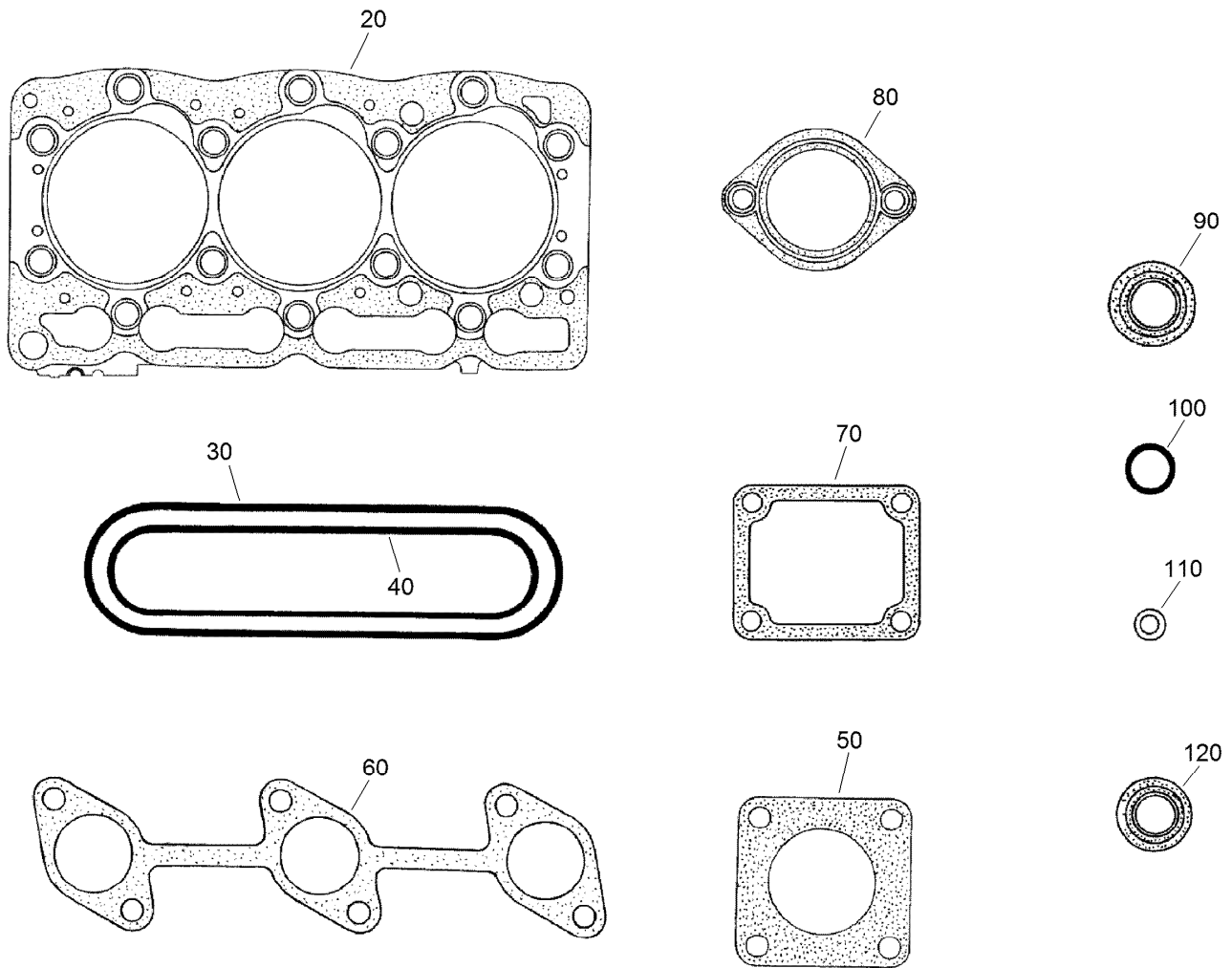
Inlet and Exhaust Manifold Assembly

| <i>Ref.</i> | <i>Part Number</i> | <i>Qty.</i> | <i>Description</i> |
|-------------|--------------------|-------------|--------------------------|
| 10 | 108-6577 | 1 | Inlet Manifold ASM |
| 20 | 98-9492 | 1 | Joint-Pipe, Breather |
| 30 | 98-9609 | 1 | Gasket-Manifold, Inlet |
| 40 | 127-0403 | 3 | Bolt-Flange |
| 50 | 98-9353 | 1 | Bolt |
| 60 | 105-3797 | 2 | Bolt |
| 70 | 107-9093 | 1 | Manifold-Exhaust |
| 80 | 99-8327 | 1 | Gasket-Manifold, Exhaust |
| 90 | 98-9588 | 6 | Stud |
| 100 | 98-9665 | 6 | Nut |



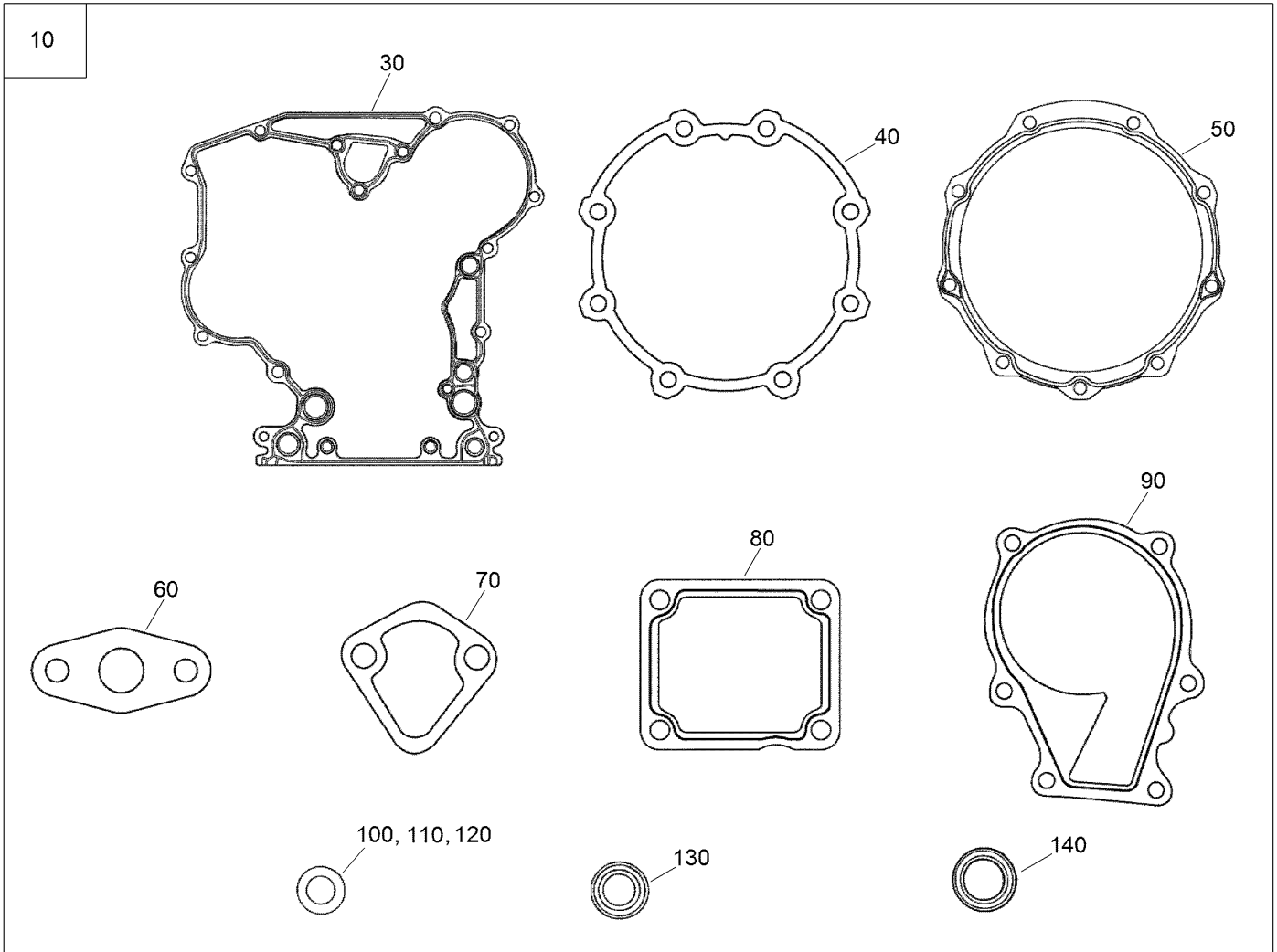
Accessories and Service Parts

| <i>Ref.</i> | <i>Part Number</i> | <i>Qty.</i> | <i>Description</i> |
|-------------|--------------------|-------------|--------------------|
| 10 | 130-1543 | 1 | Manual-Operator |



Upper Gasket Kit

| Ref. | Part Number | Qty. | Description |
|------|-------------|------|--------------------------|
| 10 | 117-8833 | 1 | Upper Gasket Kit |
| 20 | 108-6573 | 1 | Gasket-Head, Cylinder |
| 30 | 117-8806 | 1 | Gasket-Cover, Head |
| 40 | 98-9609 | 1 | Gasket-Manifold, Inlet |
| 50 | 99-8343 | 1 | Gasket-Muffler |
| 60 | 99-8327 | 1 | Gasket-Manifold, Exhaust |
| 70 | 98-9638 | 1 | Gasket-Flange, Water |
| 80 | 105-3748 | 1 | Gasket-Thermostat |
| 90 | 98-7677 | 3 | Seal-Heat |
| 100 | 99-3446 | 2 | O-Ring |
| 110 | 98-7676 | 3 | Gasket |
| 120 | 99-8385 | 6 | Seal-Stem, Valve |



Lower Gasket Kit

| Ref. | Part Number | Qty. | Description |
|-------------|--------------------|-------------|----------------------|
| 10 | 117-8834 | 1 | Lower Gasket Kit |
| 30 | 117-8835 | 1 | Gasket-Case, Gear |
| 40 | 131-6554 | 1 | Gasket-Case, Bearing |
| 50 | 112-7037 | 1 | Gasket-Cover, Case |
| 60 | 98-9682 | 1 | Gasket |
| 70 | 117-7562 | 1 | Gasket-Pump, Fuel |
| 80 | 98-9637 | 1 | Gasket |
| 90 | 99-3454 | 1 | Gasket-Pump, Water |
| 100 | 98-7654 | 6 | Gasket |
| 110 | 98-7524 | 1 | Gasket |
| 120 | 110-9715 | 1 | Gasket-Pan, Oil |
| 130 | 98-9482 | 1 | Seal-Oil |
| 140 | 112-0180 | 1 | Seal-Oil |

Attachments and Accessories

For 22327 TX 1000 Compact Tool Carrier

| Product Name | Model/Part |
|---|-------------------|
| Light Kit ASM | 144-7100 |
| Kit Road Wheel, 5-pack | 144-7392 |
| Kit Road Wheel, 5-pack | 144-7393 |
| Decal Kit - HERC | 145-6943 |
| Standard Bucket | 22340 |
| Adjustable Forks | 22341 |
| High Volume Bucket | 22342 |
| Loose Materials Bucket | 22410 |
| 48in Hydraulic Blade | 22414 |
| Bore Drive Head | 22420 |
| Rod and Reamer | 22421 |
| Multi-Purpose Tool | 22423 |
| Direct Drive Power Box Rake | 22426 |
| Stump Grinder | 22429 |
| Tree Forks | 22438 |
| Cement Bowl | 22442 |
| 40in Tiller | 22445 |
| Crumber Kit | 22464 |
| Trench Filler | 22472 |
| High-Torque Trencher Head | 22473 |
| High-Speed Trencher Head | 22474 |
| Dingo 4-in-1 Bucket | 22478 |
| Narrow Bucket | 22520 |
| Standard Bucket with Spacer | 22522 |
| Dingo Grapple Rake | 22577 |
| Dingo Snow Canopy | 22584 |
| Dingo Snow Thrower | 22585 |
| Auger Head | 22805 |
| Universal Swivel Auger Head | 22806 |
| 18in Auger Bit | 22814 |
| 24in Auger Bit | 22815 |
| 30in Auger Bit | 22816 |
| 12in Auger Bit Extension | 22818 |
| 24in Auger Bit Extension | 22819 |
| 6in Full-Flight Auger Bit | 22820 |
| 9in Full-Flight Auger Bit | 22821 |
| 12in Full-Flight Auger Bit | 22822 |
| 15in Full-Flight Auger Bit | 22823 |
| Vibratory Plow | 22911 |
| Soil Cultivator | 23102 |
| Backhoe With 12in Bucket, Dingo Cul | 23106 |
| Backhoe Fit-Up Kit | 23126 |
| Low Flow Auxiliary Kit | 23134 |
| Concrete Breaker | 23135 |
| Leveler | 23165 |
| Double Detent Valve | 23171 |

Attachments and Accessories (continued)

Stump Grinder Fit-Up Kit..... 23172
New Red Paint - Gallon361-11
Dark Metallic Gray Aerosol Paint..... 361-12
Semi-Gloss Black Spray Paint..... 361-9
Air Dry Red Paint - Qt 5340
Spark Arrestor 98-9099

Notes:

Notes:

Notes:



Count on it.