



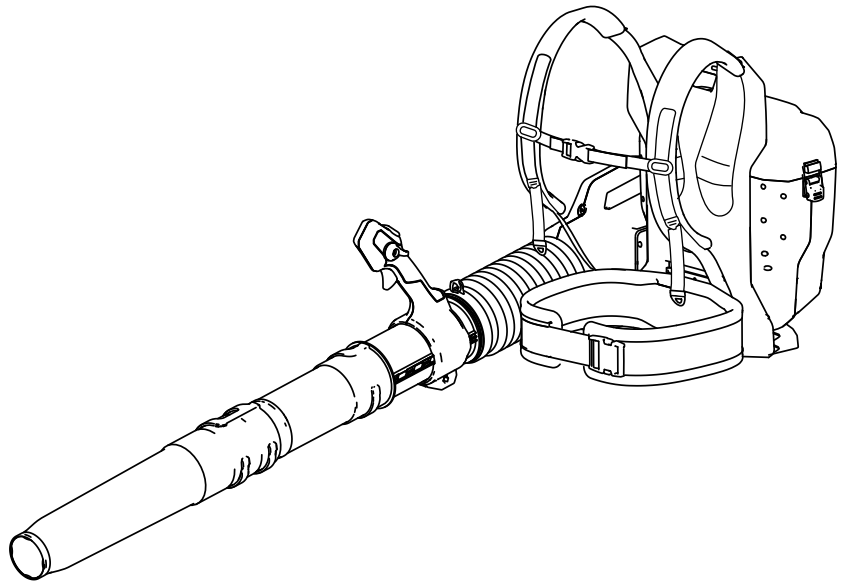
Count on it.

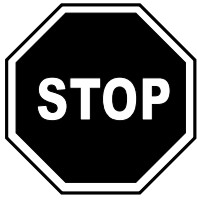
Operator's Manual

Revolution 60V Backpack and Blower Cannon Tool

Model No. 66200—Serial No. 323000001 and Up

Model No. 66200T—Serial No. 323000001 and Up





For assistance, please see www.Toro.com/support for instructional videos or contact 1-888-384-9939 before returning this product.

Visit www.Toro.com for product safety and operation training materials, accessory information, help finding a dealer, or to register your product.

Whenever you need service, genuine the manufacturer parts, or additional information, contact an Authorized Service Dealer or the manufacturer Customer Service and have the model and serial numbers of your product ready. **Figure 1** identifies the location of the model and serial numbers on the product. Write the numbers in the space provided.

Important: With your mobile device, you can scan the QR code on the serial number decal (if equipped) to access warranty, parts, and other product information.

Introduction

This backpack-blower combination is intended to be used by homeowners and professional operators. The blower is designed to move leaf-like debris as needed outdoors. The backpack is designed to provide power to compatible Toro 60V handheld tools. It is designed to use Toro 60V lithium-ion battery packs. These battery packs are designed to be charged only by Toro 60V lithium-ion battery chargers.

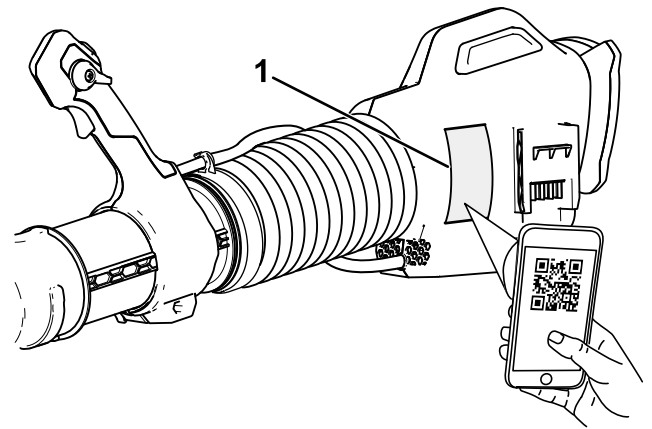
Using these products for purposes other than their intended uses could prove dangerous to you and bystanders.

Model 66200 does not include a battery or a charger.

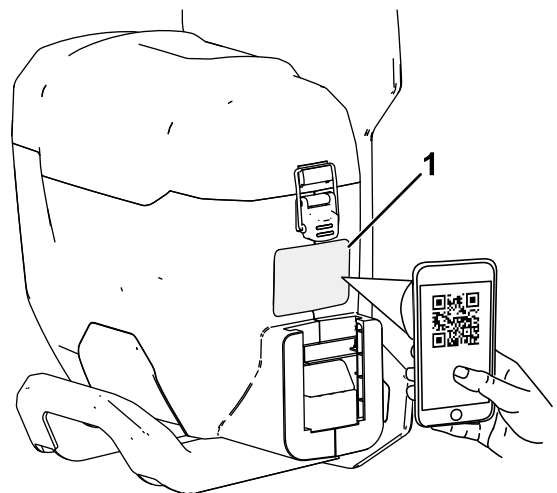
Model 66200T only includes the blower cannon, it does not include the backpack.

The backpack and backpack tether are not compatible with ground-engaging products (such as snow removal tools or lawn mowers).

Read this information carefully to learn how to operate and maintain your product properly and to avoid injury and product damage. You are responsible for operating the product properly and safely.



g377663



g377638

Figure 1

1. Model and serial number location

Model No.	_____
Serial No.	_____

Safety-Alert Symbol

The safety-alert symbol (Figure 2) shown in this manual and on the machine identifies important safety messages that you must follow to prevent accidents.



Figure 2
Safety-alert symbol

g000502

The safety-alert symbol appears above information that alerts you to unsafe actions or situations and is followed by the word **DANGER**, **WARNING**, or **CAUTION**.

DANGER indicates an imminently hazardous situation which, if not avoided, **will** result in death or serious injury.

WARNING indicates a potentially hazardous situation which, if not avoided, **could** result in death or serious injury.

CAUTION indicates a potentially hazardous situation which, if not avoided, **may** result in minor or moderate injury.

This manual uses two other words to highlight information. **Important** calls attention to special mechanical information and **Note** emphasizes general information worthy of special attention.

Safety

WARNING—When using electric gardening tools, always follow basic safety precautions to reduce the risk of fire, electric shock, and personal injury, including the following:

In addition to these instructions, always read and follow the safety warnings and instructions included with the specific tool you intend to power before operating the backpack.

IMPORTANT SAFETY INSTRUCTIONS

I. Training

1. The operator of the backpack is responsible for any accidents or hazards occurring to others or their property.
2. Do not allow children to use or play with the backpack, attached tool, battery pack, or battery charger; local regulations may restrict the age of the operator.
3. Do not allow children or untrained people to operate or service this device. Allow only people who are responsible, trained, familiar with the instructions, and physically capable to operate or service the device.
4. Before using the backpack, attached tool, battery pack, and battery charger, read all the instructions and cautionary markings on these products.
5. Become familiar with the controls and proper use of the backpack, attached tool, battery pack, and battery charger.

II. Preparation

1. Keep bystanders and children away from the operating area.
2. Use only the battery pack specified by Toro. Using other accessories and attachments may increase the risk of injury and fire.
3. Plugging the battery charger into an outlet that is not 100 to 240 V can cause a fire or electric shock. Do not plug the battery charger into an outlet other than 100 to 240 V. For a different style of connection, use an attachment plug adapter of the proper configuration for the power outlet if needed.
4. Do not use a damaged or modified backpack, battery pack, or battery charger, which may exhibit unpredictable behavior that results in fire, explosion, or risk of injury.

5. If the supply cord to the battery charger is damaged, contact an Authorized Service Dealer to replace it.
6. Charge the battery pack with only the battery charger specified by Toro. A charger suitable for 1 type of battery pack may create a risk of fire when used with another battery pack.
7. Charge the battery pack in a well-ventilated area only.
8. Follow all charging instructions and do not charge the battery pack outside of the temperature range specified in the instructions. Otherwise, you may damage the battery pack and increase the risk of fire.
9. Do not operate the backpack and attached tool without all guards and other safety protective devices in place and functioning properly on the backpack and tool.
10. Dress properly—Wear appropriate clothing, including eye protection; long pants; substantial, slip-resistant footwear; and hearing protection. Tie back long hair and do not wear loose clothing or loose jewelry that can get caught in moving parts. Wear a dust mask in dusty operating conditions.
11. When powering a tool with the backpack, refer to the *Operator's Manual* for the attached tool for additional personal protective equipment requirements.
8. Remove any battery pack(s) from the backpack whenever you leave it unattended.
9. Do not force the power tool. Use the correct power tool for your application. The correct power tool will do the job better and safer at the rate for which it was designed.
10. Do not overreach—Keep proper footing and balance at all times, especially on slopes. Walk, never run with the backpack.
11. Stay alert—Watch what you are doing and use common sense when operating the backpack. Do not use the backpack while ill, tired, or under the influence of alcohol or drugs.
12. Ensure that the ventilation openings are kept clear of debris.
13. Do not insert any object into the blower opening or use the tool with a blocked opening. Keep the opening free from dust, lint, hair, or anything else that could reduce the air flow.
14. Use extra care when using the blower tool to clean stairways.
15. Under abusive conditions, the battery pack may eject liquid; avoid contact. If you accidentally come into contact with the liquid, flush with water. If the liquid contacts your eyes, seek medical help. Liquid ejected from the battery pack may cause irritation or burns.
16. Do not expose a battery pack or tool to fire or excessive temperature. Exposure to fire or temperature above 130°C (265°F) may cause explosion.
17. CAUTION—A mistreated battery pack may present a risk of fire, explosion, or chemical burn.
 - Do not disassemble the battery pack.
 - Replace the battery pack with a genuine Toro battery pack only; using another type of battery pack may cause a fire or risk of injury.
 - Keep battery packs out of the reach of children and in the original packaging until you are ready to use them.

III. Operation

1. Avoid dangerous environments—Do not use the tool in rain or in damp or wet locations.
2. Use the proper tool for your application—Using the backpack or attached tool for purposes other than their intended use could prove dangerous to you and bystanders.
3. Prevent unintentional starting—Ensure that the switch is in the OFF position before connecting to the backpack and handling the tool. Do not carry the tool with your finger on the switch or energize the tool with the switch in the ON position.
4. Operate the backpack and attached tool only in daylight or good artificial light.
5. Remove the battery pack from the backpack and disconnect the tool before adjusting it or changing accessories.
6. Keep your hands and feet away from the blower opening and all moving parts.
7. Shut off the tool, remove the battery pack from the backpack, and wait for all movement to stop before adjusting, servicing, cleaning, or storing the tool or backpack.

IV. Maintenance and Storage

1. Maintain the tool and backpack with care—Keep them clean and in good repair for best performance and to reduce the risk of injury. Follow the instructions for lubricating and changing accessories. Keep handles dry, clean, and free from oil and grease.
2. When the battery pack is not in use, keep it away from metal objects such as paper clips, coins, keys, nails, and screws that can make a

- connection from 1 terminal to another. Shorting the battery terminals may cause burns or a fire.
3. Keep your hands and feet away from moving parts.
 4. Shut off the tool, remove the battery pack from the backpack, and wait for all movement to stop before adjusting, servicing, cleaning, or storing the backpack or tool.
 5. Check the tool and backpack for damaged parts—If there are damaged guards or other parts, determine whether it will operate properly. Check for misaligned and binding moving parts, broken parts, mounting, and any other condition that may affect its operation. Unless indicated in the instructions, have an Authorized Service Dealer repair or replace a damaged guard or part.
 6. Keep all fasteners on the tool and backpack tight.
 7. Do not attempt to service or repair the backpack, attached tool, battery pack, or battery charger except as indicated in the instructions. Have an Authorized Service Dealer perform service using identical replacement parts to ensure that the product is safely maintained.
 8. Store an idle tool and backpack indoors in a place that is dry, secure, and out of the reach of children.

SAVE THESE INSTRUCTIONS

Safety and Instructional Decals



Safety decals and instructions are easily visible to the operator and are located near any area of potential danger. Replace any decal that is damaged or missing.



145-2340

decal145-2340

1. Warning—read the *Operator's Manual*; stay away from moving parts; keep all guards and shields in place; wear eye protection; do not expose to rain.
2. Warning—keep bystanders away from the machine in all directions.
3. Thrown object hazard—keep bystanders away.
4. Do not dispose improperly.



145-2339

decal145-2339

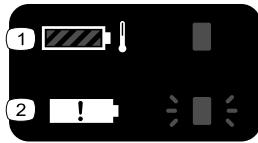
1. Warning—read the *Operator's Manual*; stay away from moving parts; keep all guards and shields in place; wear eye protection; do not expose to rain.
2. Warning—keep bystanders away from the machine in all directions.
3. Thrown object hazard—keep bystanders away.
4. Do not dispose improperly.



decal145-3805

145-3805

1. Warning—read the *Operator's Manual*; stay away from moving parts; keep all guards and shields in place; wear eye protection; do not expose to rain.
2. Do not dispose improperly.



decal145-3809

145-3809

1. The battery pack is over or under the appropriate temperature range.
2. Battery pack charging fault.



decal145-2317

145-2317

1. Battery charge status

Setup

Loose Parts

Use the chart below to verify that all parts have been shipped.

Description	Qty.	Use
Blower cannon	1	Assemble the blower tubes.
Middle tube section	1	
Nozzle section	1	
Backpack	1	Install the blower cannon.
Blower cannon assembly	1	

Assembling the Blower Tubes

1. Slide the channels of the middle blower tube section over the posts on the blower tube cylinder, and rotate the middle section to secure it (A of [Figure 3](#)).

Note: When the post is fully rotated into the channel, the pieces should not be able to rotate.

2. Slide the channels of the nozzle section over the posts on the middle section, and rotate the nozzle to secure it (B of [Figure 3](#)).

Note: The nozzle can be installed in either the extended or standard position for ergonomic preference.

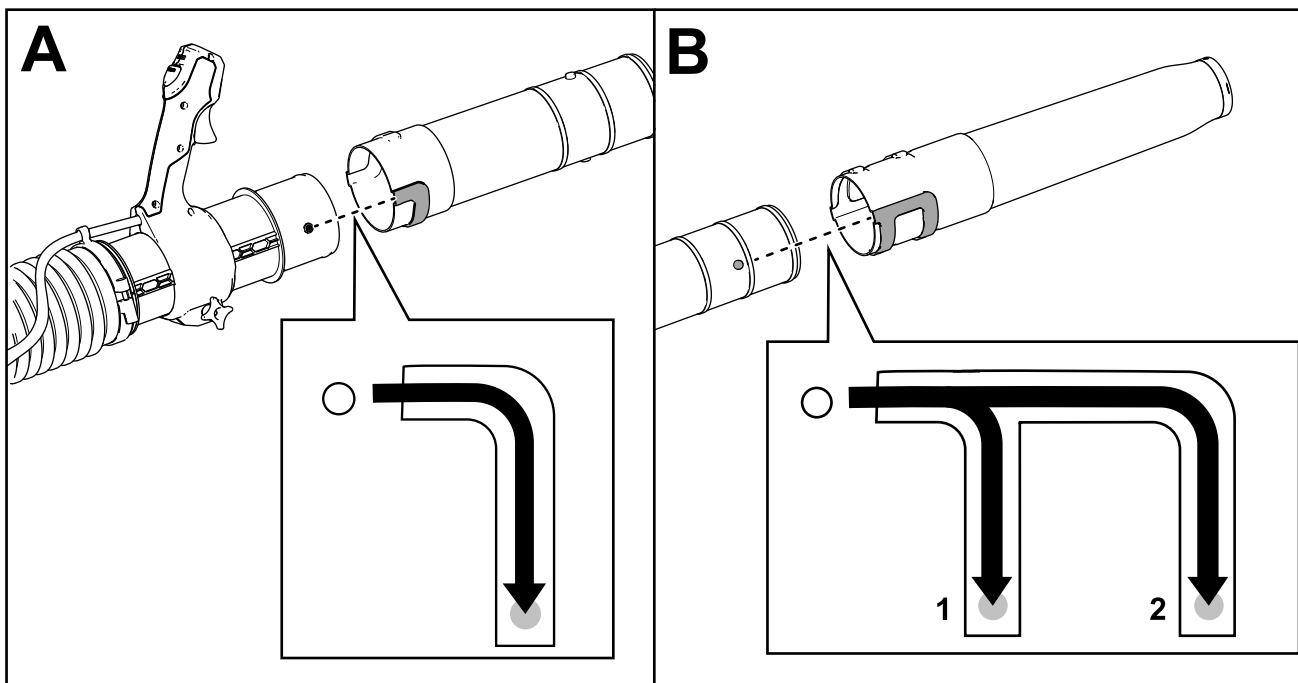


Figure 3

g365122

1. Extended position

2. Standard position

Installing the Blower Cannon to the Backpack

Note: The backpack can also be used to power other tools using the backpack tether Model 66005 (not included).

1. Align the blower cannon with the backpack power connection (Figure 4).

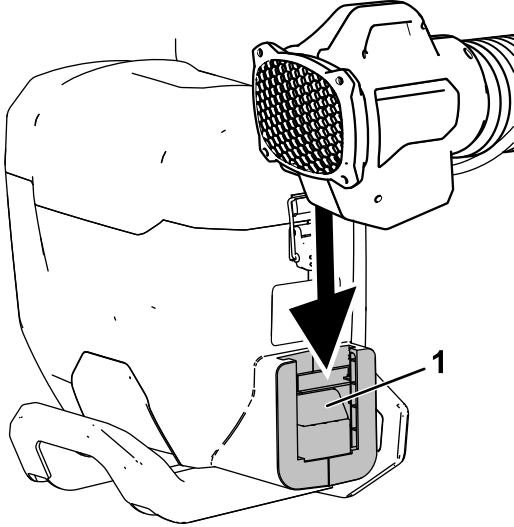


Figure 4

g365156

1. Backpack power connection

2. Press the blower latch button and push the cannon down into the backpack until it clicks into place (Figure 5).

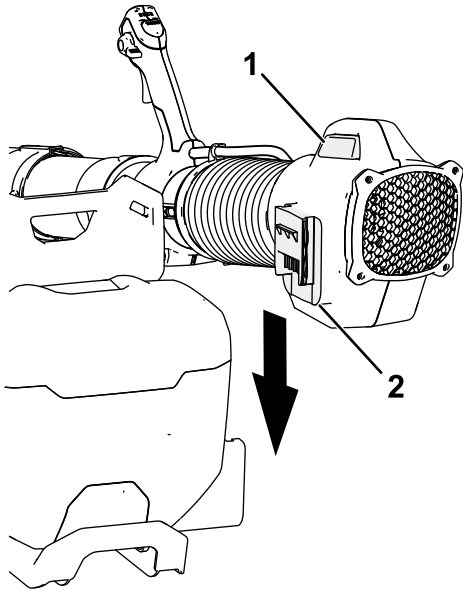
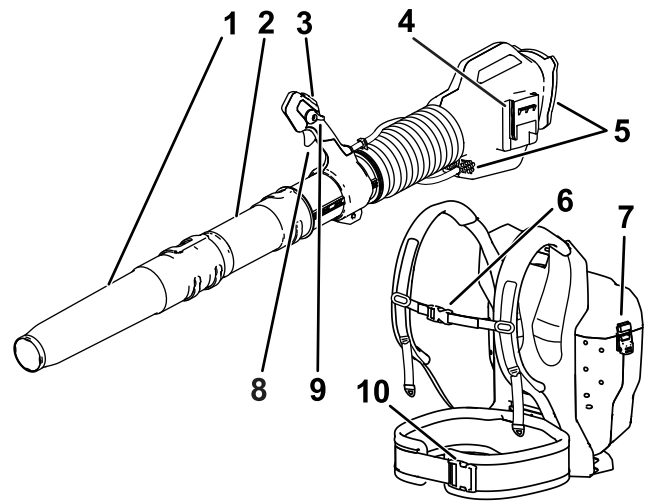


Figure 5

g365155

1. Blower latch button
2. Blower connection

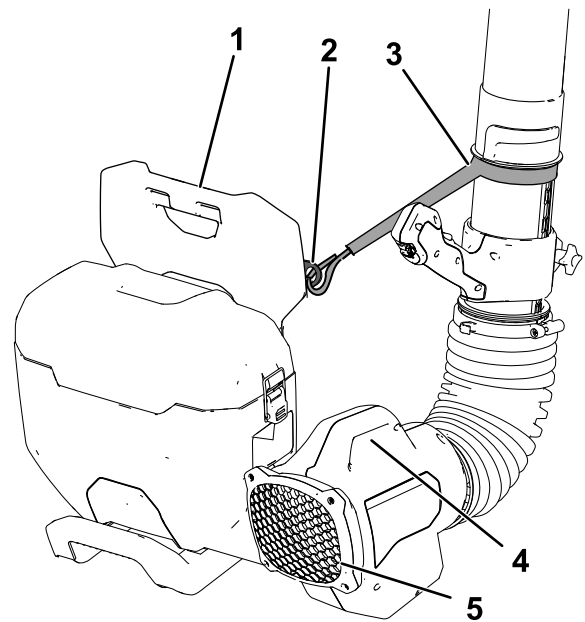
Product Overview



g366972

Figure 6

- | | |
|------------------------|-------------------------|
| 1. Nozzle section | 6. Sternum strap buckle |
| 2. Middle tube section | 7. Battery cover latch |
| 3. Turbo button | 8. Trigger |
| 4. Blower connection | 9. Speed lock |
| 5. Blower vents | 10. Waist belt buckle |



g386221

Figure 7

- | | |
|--------------------|----------------------------|
| 1. Backpack handle | 4. Blower latch handle |
| 2. Backpack tab | 5. Blower cannon rear vent |
| 3. Blower strap | |

Specifications

Model	66200 and 66200T
Rated Voltage	60V DC maximum, 54 VDC nominal
Overall Length (with cannon in extended position)	157.5 cm (62 inches)
Hand/Arm Vibration at Handle	Refer to the included Declaration of Conformity document
Weight (with cannon, without batteries)	7.9 kg (17.4 lbs)
Weight (without cannon or batteries)	4.2 kg (9.3 lbs)
Charger Type	Toro 60V chargers
Battery Type	Toro 60V batteries

Appropriate Temperature Ranges

Charge/ store the battery pack at	5°C (41°F) to 40°C (104°F)*
Use the battery pack at	-30°C (-22°F) to 49°C (120°F)
Use the blower at	0°C (32°F) to 49°C (120°F)

*Charging time will increase if you do not charge the battery within this range.

Store the tool, battery pack, and battery charger in an enclosed clean, dry area.

Attachments/Accessories

A selection of Toro approved attachments and accessories is available for use with the machine to enhance and expand its capabilities. Contact your Authorized Service Dealer or authorized Toro distributor or go to www.Toro.com for a list of all approved attachments and accessories.

To ensure optimum performance and continued safety certification of the machine, use only genuine Toro replacement parts and accessories. Replacement parts and accessories made by other manufacturers could be dangerous.

Operation

Adjusting the Backpack Position

1. Bend at the waist and put on the shoulder straps, so the backpack rests comfortably on your back, and connect and tighten the hip belt buckle so it stays in position (Figure 8 and Figure 9).

Note: The height of the sternum strap is adjustable.



Figure 8

g395681

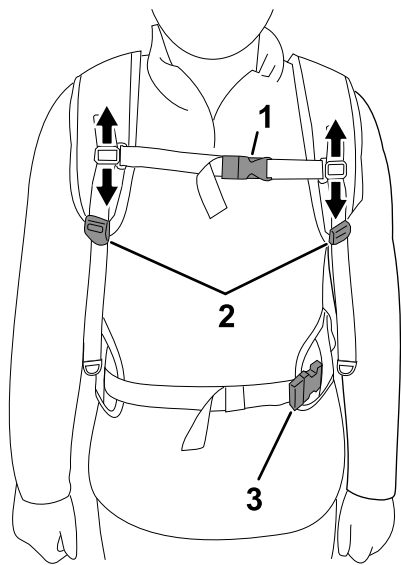


Figure 9

g377912

1. Sternum strap adjuster and buckle
2. Shoulder strap adjuster
3. Hip belt adjuster and buckle

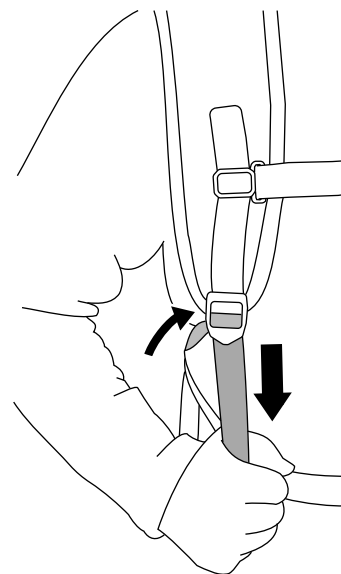


Figure 11

g377918

2. Connect and adjust the height of the sternum strap.
3. Tighten the hip belt again while standing straight to ensure that it is snug (Figure 10).

Note: The padding of the hip belt should rest on top or on the center of your hips.

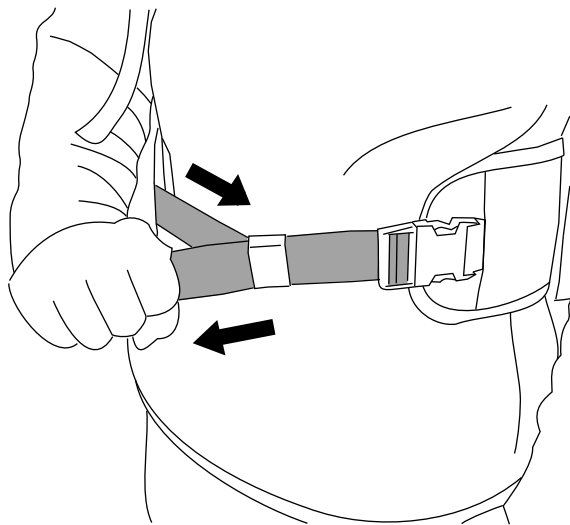


Figure 10

g377930

5. Tighten the sternum strap so that it is snug (Figure 12).

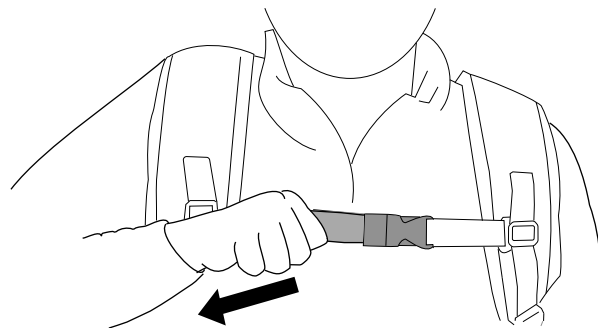


Figure 12

g377932

6. If the shoulder straps or load lifter straps are too tight, push up on the adjusters to lengthen the strap (Figure 13).

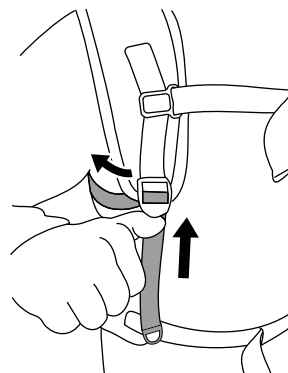


Figure 13

g377942

7. If the hip belt is too tight, push sideways on the adjuster to lengthen the straps (Figure 14).

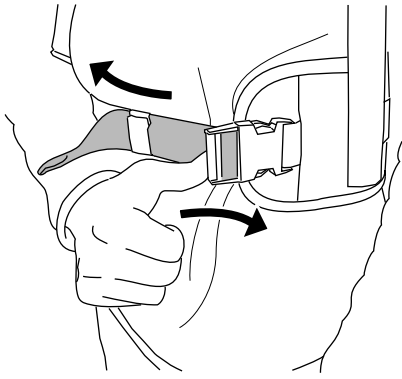


Figure 14

g377944

8. If the sternum strap is too tight, push sideways on the adjuster to lengthen the straps (Figure 15).

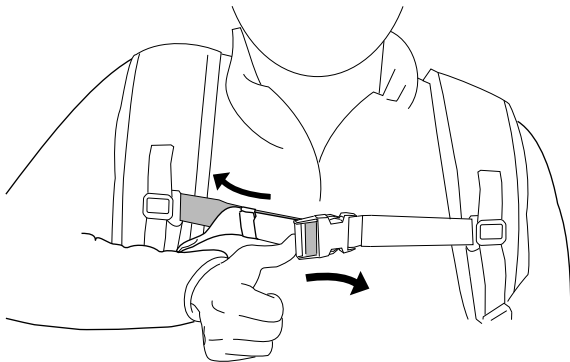


Figure 15

g386220

Adjusting the Blower Grip Position

The blower grip position is adjustable; while wearing the backpack, do the following:

1. Loosen the blower grip knob by turning it counterclockwise.
2. Move the blower grip knob forward or backward on the track to a comfortable position.
3. Tighten the blower grip knob by turning it clockwise to secure the grip in the new position.

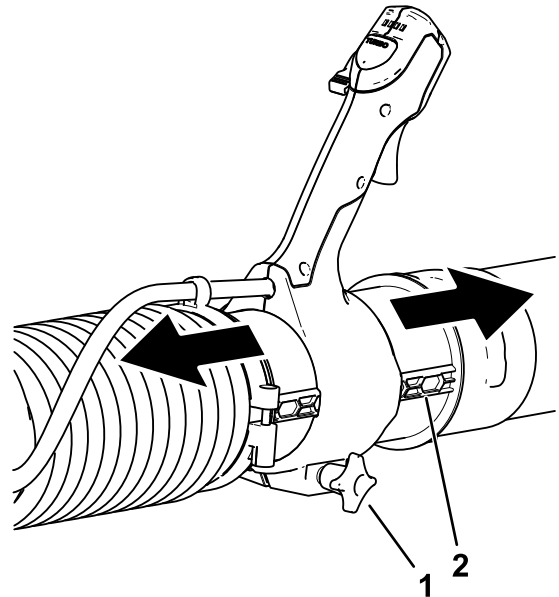


Figure 16

g365095

1. Blower handle knob
2. Handle track

9. Adjust the blower handle position to your preference; refer to [Adjusting the Blower Grip Position](#) (page 12).
10. Repeat the adjustments in this procedure until the backpack position is comfortable.

Note: The blower grip can also rotate 90° off center to either side.

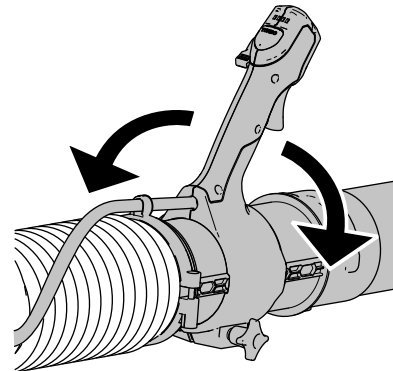


Figure 17

g379311

Starting the Blower

⚠ WARNING

The blower can throw debris, possibly causing serious personal injury to you or bystanders.

- Do not blow hard objects, such as nails or bolts.
- Do not operate the blower near bystanders or pets.
- Be careful of blowing direction (i.e., blow away from bystanders, windows, automobiles, etc.). Only use as much speed as required.
- Use extra care when cleaning debris from stairs or other tight areas.

⚠ WARNING

Improper use of the backpack, backpack tether, or an attached tool can create risk of injury.

Read and follow the Operator's Manuals for the backpack and your specific tool before using the backpack tether with the backpack.

1. Ensure that the vents on the back and the lower face of the blower cannon are clear of any dust and debris.
2. Ensure that the vent on the bottom of the backpack is clear of any dust and debris (Figure 18).

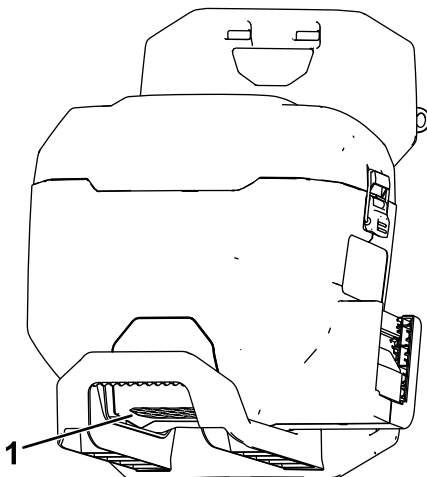
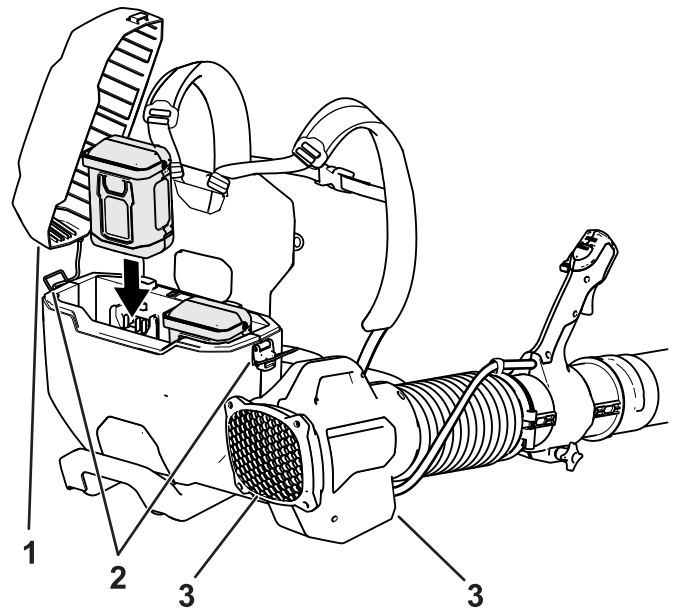


Figure 18

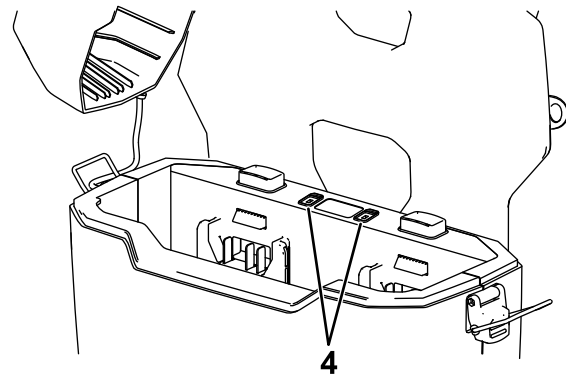
g378372

1. Backpack vent

3. Set the backpack down on a level surface.
4. Pull up on the latch tabs to open the latches securing the battery cover and set the cover aside.
5. Line up the cavity on the back of the battery with either of the battery ports in the backpack.
6. Slide the battery pack down into the backpack until the battery pack is fully seated and locked into place (Figure 19).



g377917



g378297

Figure 19

1. Battery cover
2. Battery cover latches
3. Blower vent
4. Battery troubleshooting lights

7. Place the battery cover onto the backpack and secure it using both cover latches.
8. Put on the backpack and secure the shoulder straps; refer to [Adjusting the Backpack Position](#) (page 10).

- To start the blower, squeeze the variable-speed trigger (Figure 20).

Note: Engage the speed lock to keep the machine on without pressing the variable-speed trigger (Figure 20).

The battery charge status lights indicate how much charge the backpack has left.

Important: Ensure that the speed lock is disengaged before you remove the backpack or remove the battery packs from the machine.

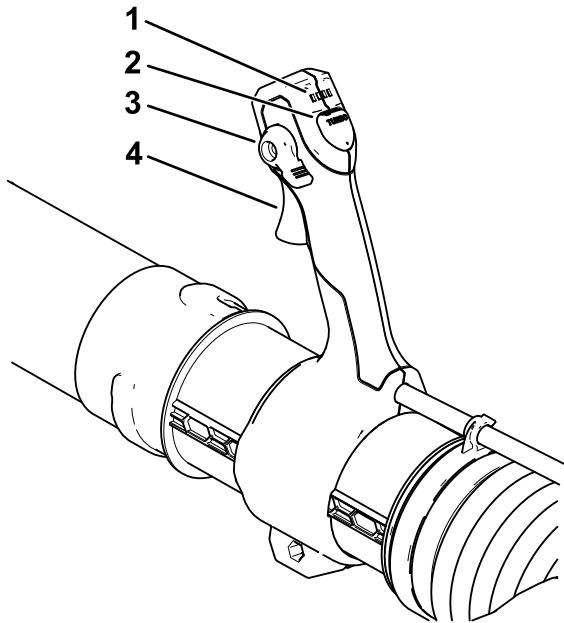


Figure 20

g365089

- | | |
|---------------------------------|---|
| 1. Battery charge status lights | 3. Speed lock (shown in the OFF position) |
| 2. Turbo boost button | 4. Variable-speed trigger |

Adjusting the Air Speed of the Blower

To adjust the air speed as you blow, use the variable-speed trigger (Figure 20).

To achieve maximum performance (air speed), hold the trigger, then press and hold the turbo boost button for the desired amount of time (Figure 20).

To maintain the current air speed, engage the speed lock (Figure 20).

Important: Ensure that the speed lock is disengaged before you remove the backpack or remove the battery packs from the machine.

Shutting Off the Blower

To shut off the blower, disengage the speed lock (if in use) and release the variable-speed trigger (Figure 21).

If there you ever need to rapidly remove the backpack, disconnect the quick-release buckles as follows:

- Press in on the sides of the buckles (A of Figure 21).
- Allow the buckles to disconnect (B of Figure 21).

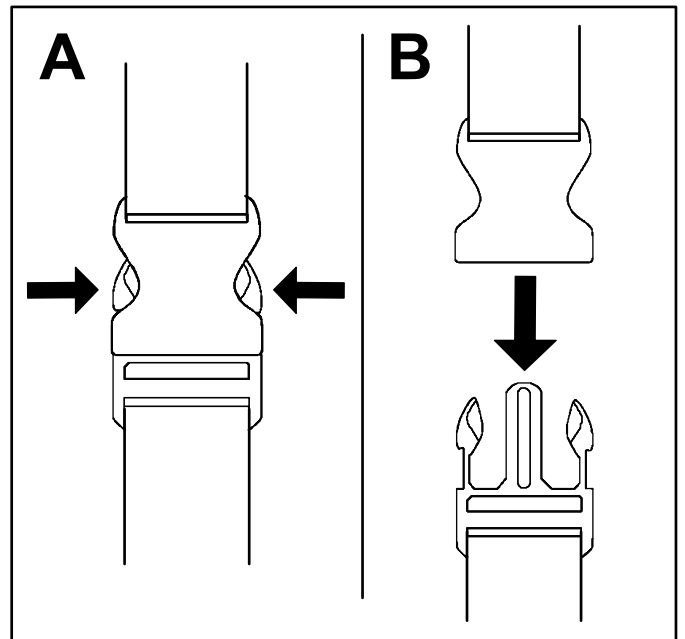


Figure 21

g340477

- Remove the shoulder straps and set the backpack on the ground.

Important: Ensure that the speed lock is disengaged before you remove the backpack or remove the battery packs from the machine.

Whenever you are not using the blower or are transporting the blower to or from the work area, remove the battery pack(s).

Removing the Batteries from the Backpack

1. Set the backpack down on a level surface.
2. Pull up on the latch tabs to open the latches securing the battery cover and set the cover aside.
3. Press down on the battery latch button and lift the battery (or batteries) up out of the backpack (Figure 22).

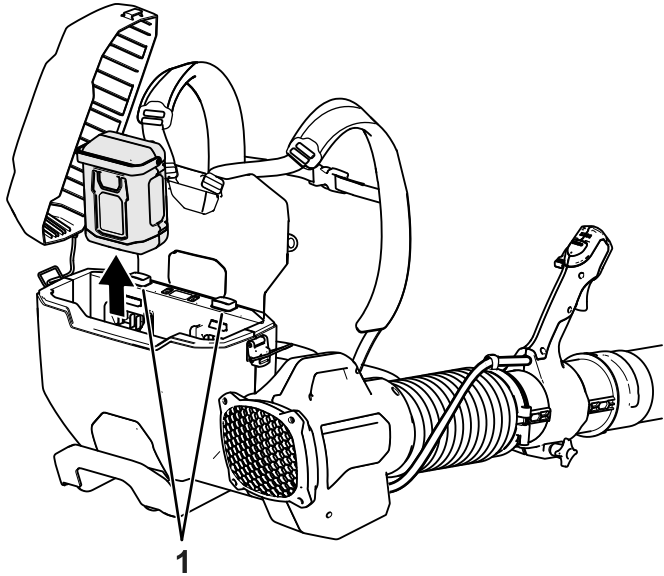


Figure 22

g377916

1. Battery latch buttons

Removing the Blower Cannon from the Backpack

Press the blower latch button and pull up on the blower cannon to separate it from the backpack (Figure 23).

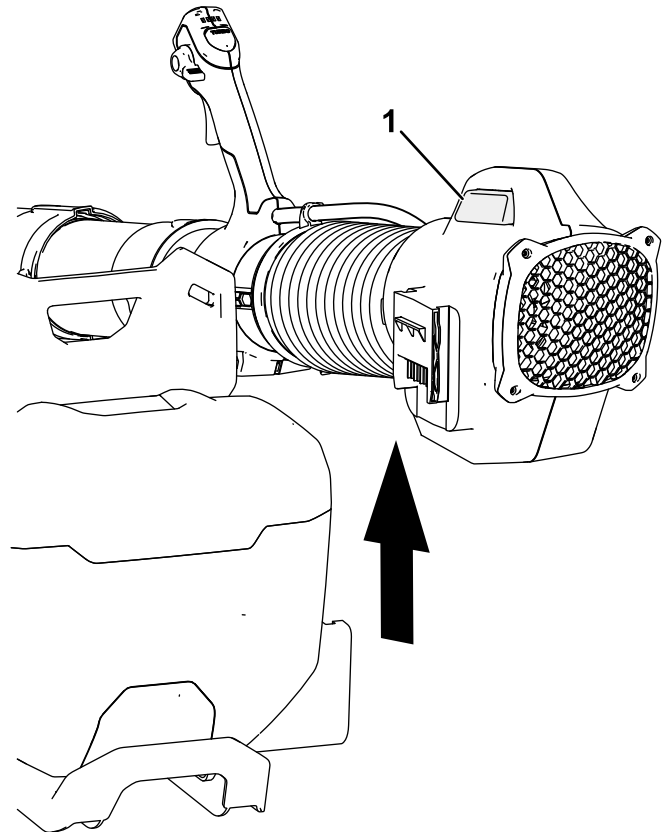


Figure 23

g365154

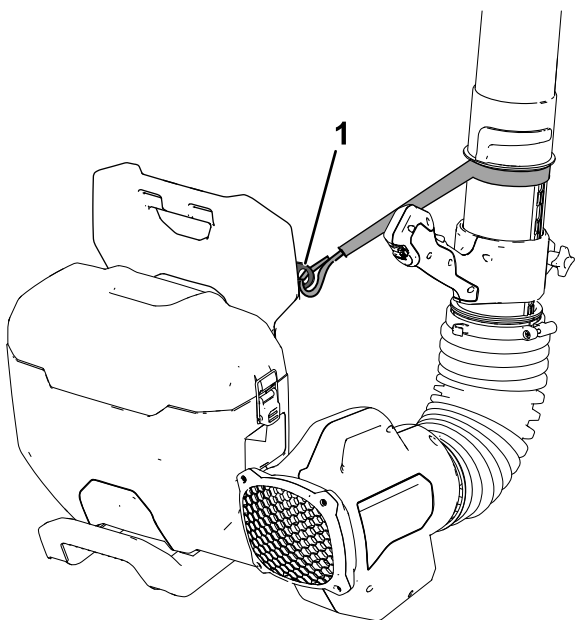
1. Blower latch button

Storage

Important: Store the tool, battery pack, and charger only in temperatures that are within the appropriate range; refer to [Specifications \(page 10\)](#).

Important: If you are storing the battery pack for the off-season, remove the battery pack from the tool and charge the battery pack until 2 or 3 LED indicators turn green on the battery. Do not store a fully charged or fully depleted battery. When you are ready to use the tool again, charge the battery pack until the left indicator light turns green on the charger or all 4 LED indicators turn green on the battery.

While the blower cannon is attached to the backpack, it can be stored or transported in the upright position; clip the included strap to the backpack tab ([Figure 24](#)).



g378367

Figure 24

1. Backpack tab

-
- Disconnect the product from the power supply (i.e., remove the battery pack from the backpack) and check for damage after use.
 - Do not store the tool with the battery pack installed.
 - Clean all foreign material from the product.
 - When not in use, store the tool, battery pack, and battery charger out of the reach of children.
 - Keep the tool, battery pack, and battery charger away from corrosive agents, such as garden chemicals and de-icing salts.
 - To reduce the risk of serious personal injury, do not store the battery pack outside or in vehicles.
 - Store the tool, battery pack, and battery charger in an enclosed clean, dry area.

Troubleshooting

Perform only the steps described in these instructions. All further inspection, maintenance, and repair work must be performed by an authorized service center or a similarly qualified specialist if you cannot solve the problem yourself.

Problem	Possible Cause	Corrective Action
An LED indicator light on the backpack is red.	1. The battery pack is over or under the appropriate temperature range.	1. Disconnect the battery pack and move it to a place where it is dry and the temperature is between 5°C (41°F) and 40°C (104°F).
An LED indicator light on the backpack is blinking red.	1. There is an error in the communication between the battery pack and the backpack. 2. The battery pack is damaged.	1. Remove the battery pack from the backpack and wait 10 seconds. Install the battery pack, if the LED indicator light on the backpack is still blinking red, try again, if the LED indicator light on the backpack is still blinking red after 2 attempts, properly dispose of the battery pack at a battery recycling facility. 2. Properly dispose of the battery pack at a battery recycling facility and replace the battery pack.
The LED indicator light on the blower cannon is blinking.	1. There is a potential electrical problem with the backpack, tool, or battery.	1. Contact an Authorized Service Dealer.
The tool does not run or run continuously.	1. The battery is not fully installed in the backpack. 2. The backpack tether is not fully installed in the tool or the backpack. 3. The battery pack is not charged. 4. The battery pack is over or under the appropriate temperature range. 5. There is moisture on the leads of the battery pack. 6. There is moisture on the leads of the backpack tether. 7. The battery pack is damaged. 8. There is another electrical problem with the backpack, tool, or battery.	1. Remove and then replace the battery into the backpack, making sure that it is fully installed and latched. 2. Remove and then replace the backpack tether in the tool and/or the backpack, ensuring that it is fully installed and latched at both connections. 3. Remove the battery pack from the backpack and charge it. 4. Move the battery pack to a place where it is dry and the temperature is between 5°C (41°F) and 40°C (104°F). 5. Allow the battery pack to dry or wipe it dry. 6. Disconnect the backpack tether and allow it to dry or wipe it dry. 7. Properly dispose of the battery pack at a battery recycling facility and replace the battery pack. 8. Contact an Authorized Service Dealer.
The tool does not reach full power.	1. The battery pack charge capacity is too low. 2. The blower tubes are blocked. 3. The air vents are blocked.	1. Remove the battery pack from the backpack and fully charge the battery pack. 2. Check the blower tubes for debris and clean them. 3. Clean the air vents.
The battery pack loses charge quickly.	1. The battery pack is over or under the appropriate temperature range.	1. Move the battery pack to a place where it is dry and the temperature is between 5°C (41°F) and 40°C (104°F).

Notes:

EEA/UK Privacy Notice

Toro's Use of Your Personal Information

The Toro Company ("Toro") respects your privacy. When you purchase our products, we may collect certain personal information about you, either directly from you or through your local Toro company or dealer. Toro uses this information to fulfil contractual obligations - such as to register your warranty, process your warranty claim or to contact you in the event of a product recall - and for legitimate business purposes - such as to gauge customer satisfaction, improve our products or provide you with product information which may be of interest. Toro may share your information with our subsidiaries, affiliates, dealers or other business partners in connection these activities. We may also disclose personal information when required by law or in connection with the sale, purchase or merger of a business. We will never sell your personal information to any other company for marketing purposes.

Retention of your Personal Information

Toro will keep your personal information as long as it is relevant for the above purposes and in accordance with legal requirements. For more information about applicable retention periods please contact legal@toro.com.

Toro's Commitment to Security

Your personal information may be processed in the US or another country which may have less strict data protection laws than your country of residence. Whenever we transfer your information outside of your country of residence, we will take legally required steps to ensure that appropriate safeguards are in place to protect your information and to make sure it is treated securely.

Access and Correction

You may have the right to correct or review your personal data, or object to or restrict the processing of your data. To do so, please contact us by email at legal@toro.com. If you have concerns about the way in which Toro has handled your information, we encourage you to raise this directly with us. Please note that European residents have the right to complain to your Data Protection Authority.



Count on it.