



**EN** Power Max® e26 60V Snowthrower

31875

**DE** Schneefräse Power Max® e26 60V

31875

**FR** Fraise à neige Power Max® e26 de 60 V

31875

**NL** Power Max® e26 60 V sneeuwruimer

31875







# Power Max<sup>®</sup> e26 60V Snowthrower

Model No. 31875—Serial No. 40000000 and Up

## Operator's Manual

# Introduction

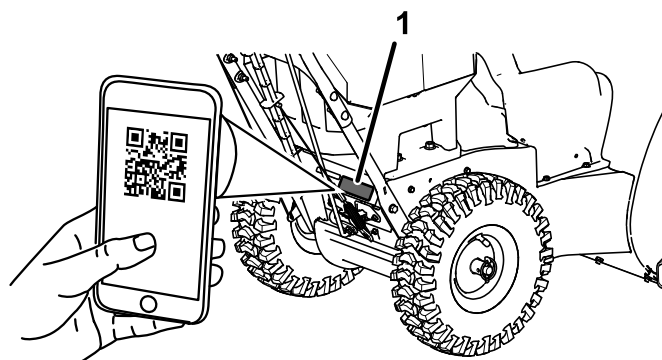
This machine is intended to be used by residential homeowners. It is designed primarily for removing snow from paved surfaces, such as driveways and sidewalks, and other surfaces for traffic on residential or commercial properties. It is designed to use Toro 60V lithium-ion battery packs. These battery packs are designed to be charged only by Toro 60V lithium-ion battery chargers. Using these products for purposes other than their intended use could prove dangerous to you and bystanders.

Read this information carefully to learn how to operate and maintain your product properly and to avoid injury and product damage. You are responsible for operating the product properly and safely.

Visit [www.Toro.com](http://www.Toro.com) for product safety and operation training materials, accessory information, help finding a dealer, or to register your product.

Whenever you need service, genuine Toro parts, or additional information, contact an Authorized Service Dealer or Toro Customer Service and have the model and serial numbers of your product ready. [Figure 1](#) identifies the location of the model and serial numbers on the product. Write the numbers in the space provided.

**Important:** With your mobile device, you can scan the QR code on the serial number decal (if equipped) to access warranty, parts, and other product information.



g397375

**Figure 1**

1. Model number, serial number, and QR code location

<p><b>Model No.</b> _____</p> <p><b>Serial No.</b> _____</p>
--



# Safety-Alert Symbol

The safety-alert symbol (Figure 1) shown in this manual and on the machine identifies important safety messages that you must follow to prevent accidents.



**Figure 2**  
Safety-alert symbol

g000502

The safety-alert symbol appears above information that alerts you to unsafe actions or situations and is followed by the word **DANGER**, **WARNING**, or **CAUTION**.

**DANGER** indicates an imminently hazardous situation which, if not avoided, **will** result in death or serious injury.

**WARNING** indicates a potentially hazardous situation which, if not avoided, **could** result in death or serious injury.

**CAUTION** indicates a potentially hazardous situation which, if not avoided, **may** result in minor or moderate injury.

This manual uses two other words to highlight information. **Important** calls attention to special mechanical information and **Note** emphasizes general information worthy of special attention.

This product complies with all relevant European directives; for details, please see the separate product specific Declaration of Conformity (DOC) sheet.

# Contents

Introduction .....	1
Safety-Alert Symbol.....	2
Safety .....	3
Safety and Instructional Decals .....	6
Setup .....	9
1 Mounting the Battery Charger (Optional).....	9
2 Installing the Upper Handle .....	9
3 Installing the Chute .....	10
4 Installing the Traction-Control Linkage .....	10
5 Installing the Chute-Control Rod .....	11
6 Installing the Snow-Cleanout Tool .....	12
7 Checking the Tire Pressure .....	13
8 Checking the Skids and Scraper .....	14
9 Checking the Operation of the Traction Drive .....	14
Product Overview .....	15
Specifications .....	16
Attachments/Accessories .....	16
Operation .....	16
Before Operation .....	16
Installing the Battery Pack .....	16
Checking the State of Charge .....	17
During Operation .....	17
Starting the Machine .....	17
Activating ECO Mode .....	17
Charging the Battery Pack .....	18
Operating the Traction Drive .....	19
Operating the Speed Selector .....	19
Operating the Auger/Impeller Drive.....	19
Operating the Quick Stick®.....	20
Clearing a Clogged Discharge Chute .....	21
Operating Tips .....	21
After Operation .....	22
Shutting Off the Machine .....	22
Removing the Battery Pack from the Machine .....	22
Preventing Freeze-up after Use .....	22
Maintenance .....	23
Recommended Maintenance Schedule(s) .....	23
Preparing for Maintenance .....	23
Checking and Adjusting the Skids and Scraper .....	23
Checking and Adjusting the Traction Cable .....	24
Checking and Adjusting the Auger/Impeller Cable .....	25
Checking the Auger-Gearbox-Oil Level.....	26
Lubricating the Hex Shaft.....	26
Replacing the Drive Belts.....	27
Storage .....	27
Storing the Machine.....	27
Troubleshooting .....	28

# Safety

**WARNING**—When using an electric machine, always read and follow basic safety warnings and instructions to reduce the risk of fire, electric shock, or injury, including the following:

## READ ALL INSTRUCTIONS

**WARNING**—When using an electrical machine, basic safety precautions should always be followed to reduce the risk of fire, electric shock, or injury, including the following:

### I. Training

1. The operator of the machine is responsible for any accidents or hazards occurring to others or their property.
2. Read and understand the contents of this *Operator's Manual* before you start the machine. Ensure that everyone using this machine knows how to use it, knows how to shut it off quickly, and understands the warnings.
3. Do not allow children to use or play with the machine, battery pack, or the battery charger; local regulations may restrict the age of the operator.
4. Do not allow children or untrained people to operate or service this device. Allow only people who are responsible, trained, familiar with the instructions, and physically capable to operate or service the device.
5. Before using the machine, battery pack, and battery charger, read all the instructions and cautionary markings on these products.
6. Become familiar with the controls and proper use of the machine, battery pack, and battery charger.

### II. Preparation

1. Keep bystanders and children out of the operating area.
2. Never allow children to operate the machine.
3. Do not operate the machine without all guards and safety devices in place and functioning properly on the machine.
4. Inspect the area where you will use the machine and remove all objects that could interfere with the operation of the machine or that the machine could throw.
5. Use only the battery pack specified by Toro. Using other accessories and attachments may increase the risk of injury and fire.
6. Plugging the battery charger into an outlet that is not 100 to 240 V can cause a fire or electric

shock. Do not plug the battery charger into an outlet other than 100 to 240 V.

7. Do not use a damaged or modified battery pack or battery charger, which may exhibit unpredictable behavior that results in fire, explosion, or risk of injury.
8. If the supply cord to the battery charger is damaged, contact an Authorized Service Dealer to replace it.
9. Charge the battery pack with only the battery charger specified by Toro. A charger suitable for 1 type of battery pack may create a risk of fire when used with another battery pack.
10. Charge the battery pack in a well-ventilated area only.
11. Follow all charging instructions and do not charge the battery pack outside of the temperature range specified in the instructions. Otherwise, you may damage the battery pack and increase the risk of fire.
12. Dress properly—Wear appropriate clothing, including eye protection; long pants; substantial, slip-resistant footwear; and hearing protection. Tie back long hair and do not wear loose clothing or jewelry that can get caught in moving parts.

### III. Operation

1. Contact with the moving rotor will cause serious injury. Keep your hands and feet away from all moving parts of the machine. Keep clear of any discharge opening.
2. Stay behind the handles and away from the discharge opening while operating the machine.
3. Using this machine for purposes other than its intended use could prove dangerous to you and bystanders.
4. Prevent unintentional starting—Ensure that the electric-start key is removed from the key switch before connecting the battery pack and handling the machine.
5. Use your full attention while operating the machine. Do not engage in any activity that causes distractions; otherwise, injury or property damage may occur.
6. Disengage all clutches and shift into neutral before starting the machine.
7. Stop the machine, remove the electric-start key, remove the battery pack from the machine, and wait for all movement to stop before adjusting, servicing, cleaning, or storing the machine.
8. Remove the battery pack and electric-start key from the machine whenever you leave it unattended or before changing accessories.

9. Do not force the machine—Allow the machine to do the job better and safer at the rate for which it was designed.
10. Stay alert—Watch what you are doing and use common sense when operating the machine. Do not use the machine while ill, tired, or under the influence of alcohol or drugs.
11. Operate the machine only in good visibility and appropriate weather conditions.
12. Use extreme caution when reversing or pulling the machine toward you.
13. Keep proper footing and balance at all times, especially on slopes. Use extreme caution when changing directions on slopes. Do not operate the machine on exceedingly steep slopes. Walk, never run with the machine.
14. When not actively clearing snow, disengage power to the auger.
15. Do not direct the discharge material toward anyone. Avoid discharging material against a wall or obstruction; material may ricochet toward you. Shut off the machine when crossing gravel surfaces.
16. Exercise extreme caution when operating the machine on or crossing gravel drives, walks, or roads. Stay alert for hidden hazards or traffic.
17. If the machine strikes an object or starts to vibrate, immediately shut off the machine, remove the key, remove the battery pack, and wait for all movement to stop before examining the machine for damage. Make all necessary repairs before resuming operation.
18. Shut off the machine whenever you leave the operating position for any reason.
19. Shut off the machine and remove the key before unclogging the machine and always use a stick or a cleanout tool to remove the clog.
20. Shut off the machine and remove the electric-start key before loading the machine for hauling.
21. Never operate the machine at high transport speeds on slippery surfaces.
22. Under abusive conditions, the battery pack may eject liquid; avoid contact. If you accidentally come into contact with the liquid, flush with water. If the liquid contacts your eyes, seek medical help. Liquid ejected from the battery pack may cause irritation or burns.
23. Do not expose a battery pack or tool to fire or excessive temperature. Exposure to fire or temperature above 130°C (265°F) may cause explosion.
24. **CAUTION**—A mistreated battery pack may present a risk of fire, explosion, or chemical burn.
  - Do not disassemble the battery pack.
  - Replace the battery pack with a genuine Toro battery pack only; using another type of battery pack may cause a fire or risk of injury.
  - Keep battery packs out of the reach of children and in the original packaging until you are ready to use them.

#### **IV. Maintenance and Storage**

1. Shut off the machine, remove the electric-start key, remove the battery pack(s) from the machine, and wait for all movement to stop before adjusting, servicing, cleaning, or storing the machine.
2. Do not attempt to repair the machine except as indicated in the instructions. Have an Authorized Service Dealer perform service on the machine using identical replacement parts.
3. Wear gloves and eye protection when servicing the machine.
4. When servicing the rotor, be aware that the rotor can still move even though the power source is off.
5. For best performance, use only genuine Toro replacement parts and accessories. Other replacement parts and accessories could be dangerous, and such use could void the product warranty.
6. Maintain the machine—Keep handles dry, clean, and free from oil and grease. Keep guards in place and in working order. Use identical replacement parts only.
7. Check all fasteners at frequent intervals for proper tightness to ensure that the machine is in safe working condition.
8. Check the machine for damaged parts. Check for misaligned and binding moving parts, broken parts, mounting, and any other condition that may affect its operation. Unless indicated in the instructions, have an Authorized Service Dealer repair or replace a damaged guard or part.
9. When the battery pack is not in use, keep it away from metal objects such as paper clips, coins, keys, nails, and screws that can make a connection from 1 terminal to another. Shorting the battery terminals may cause burns or a fire.
10. When you are not using the machine, store it indoors in a dry, secure place out of the reach of children.

11. When storing the machine for more than 30 days, refer to [Storage \(page 27\)](#) for important information.
12. CAUTION—A mistreated battery pack may present a risk of fire or chemical burn. Do not disassemble the battery pack. Do not heat the battery pack above 68°C (154°F) or incinerate it. Replace the battery pack with a genuine Toro battery pack only; using another type of battery pack may cause a fire or explosion. Keep battery packs out of the reach of children and in the original packaging until you are ready to use them.
13. Do not dispose of the battery in a fire. The cell may explode. Check with local codes for possible special disposal instructions.

## **SAVE THESE INSTRUCTIONS**

# Safety and Instructional Decals



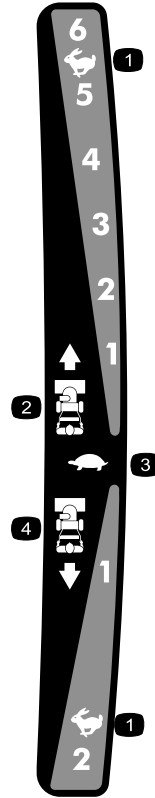
Safety decals and instructions are easily visible to the operator and are located near any area of potential danger. Replace any decal that is damaged or missing.



**121-6817**

decal121-6817

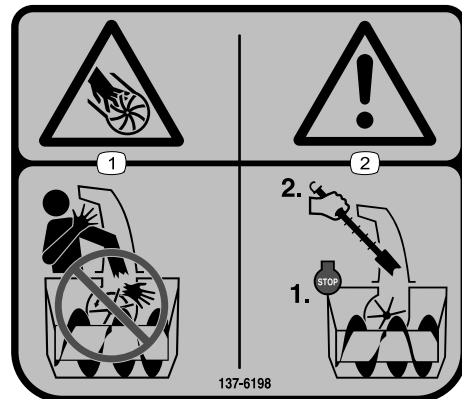
1. Cutting/dismemberment hazard of hand or foot, impeller and auger—keep bystanders away.



**121-6823**

decal121-6823

- |                   |                   |
|-------------------|-------------------|
| 1. Fast           | 3. Slow           |
| 2. Forward speeds | 4. Reverse speeds |



**137-6198**

decal137-6198

- |   |   |
|---|---|
| 1. Cutting/dismemberment hazard of the fingers or hand, impeller—do not place your hand in the chute. | 2. Warning—shut off the motor before using the tool to clear the chute. |
|---|---|

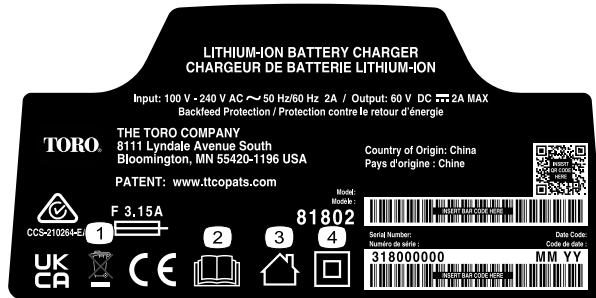




decal121-1240

**121-1240**

1. Traction drive—squeeze the lever to engage; release the lever to disengage.
2. Warning—read the *Operator's Manual*.
3. Cutting/dismemberment hazard of hand, impeller—do not place your hand in the chute; shut off the motor before leaving the operating position; use the tool to clear the chute.
4. Cutting/dismemberment hazard of hand, impeller—stay away from moving parts; keep all guards and shields in place; remove the key and read the *Operator's Manual* before performing maintenance.
5. Thrown object hazard—keep bystanders away.
6. Auger/impeller drive—squeeze the lever to engage; release the lever to disengage.



decal144-6028

**144-6028**

1. Do not dispose improperly
2. Read the *Operator's Manual*.
3. For indoor use
4. Double insulated



decal137-9496

**137-9496**

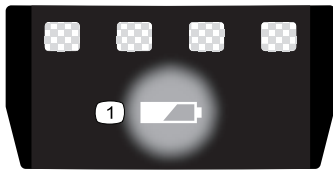
1. The battery pack is charging.
2. The battery pack is fully charged.
3. The battery pack is over or under the appropriate temperature range.
4. Battery pack charging fault



decal140-8492

**140-8492**

1. Keep away from open fire or flames.
2. Do not expose to rain.
3. Read the *Operator's Manual*.
4. Recycle the battery properly.
5. Contains lithium ions; do not dispose improperly.



decal137-9461

**137-9461**

1. Battery charge status

# Setup

**Important:** The battery pack is not fully charged when you purchase it. Before using the machine for the first time, refer to [Charging the Battery Pack \(page 18\)](#).

1

## Mounting the Battery Charger (Optional)

Parts needed for this procedure:

2	Mounting hardware (not included)
---	----------------------------------

### Procedure

If desired, mount the battery charger securely on a wall using the wall-mount key holes on the back of the charger.

Mount it indoors (such as a garage or other dry place), near a power outlet, and out of the reach of children.

Refer to [Figure 3](#) for assistance in mounting the charger.

Slide the charger over the appropriately positioned hardware to secure the charger in place (hardware not included).

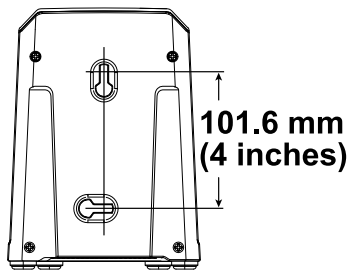


Figure 3

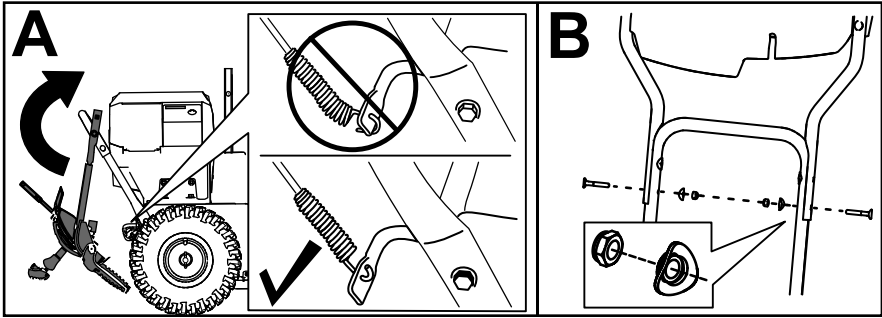
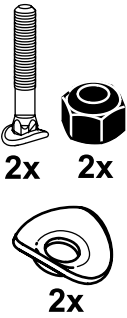
g290534

# 2

## Installing the Upper Handle

No Parts Required

### Procedure



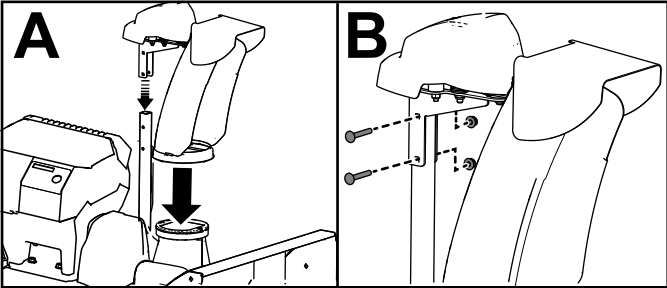
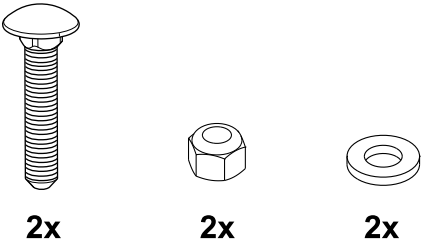
g344090

# 3

## Installing the Chute

No Parts Required

### Procedure



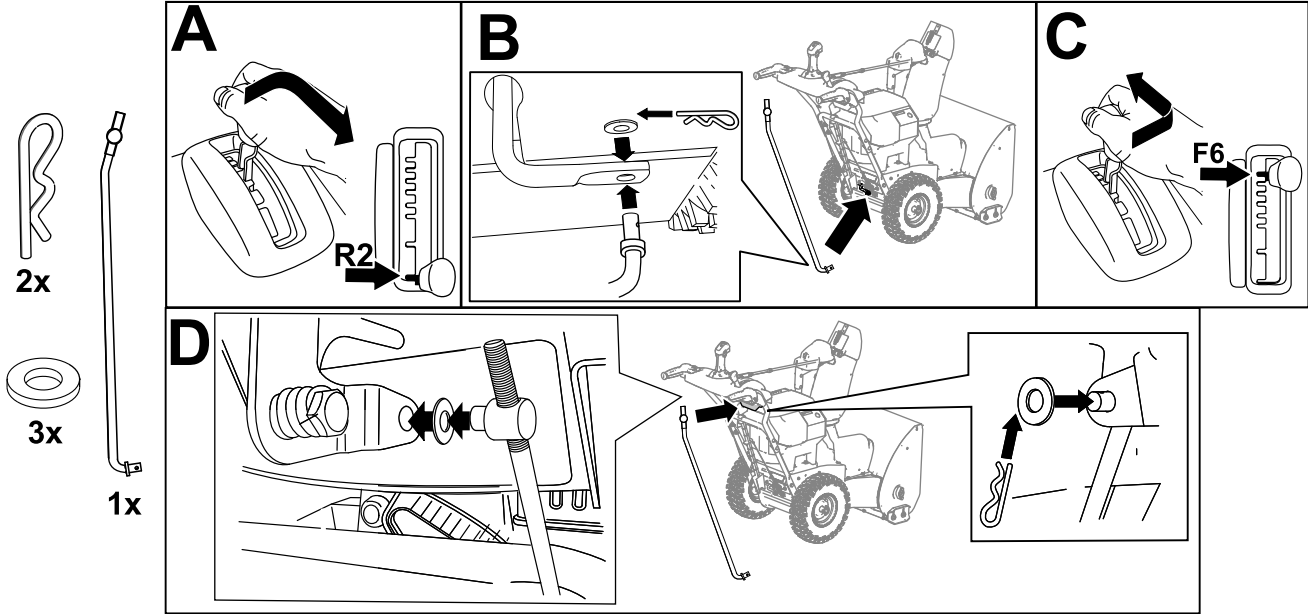
g344087

# 4

## Installing the Traction-Control Linkage

No Parts Required

### Procedure



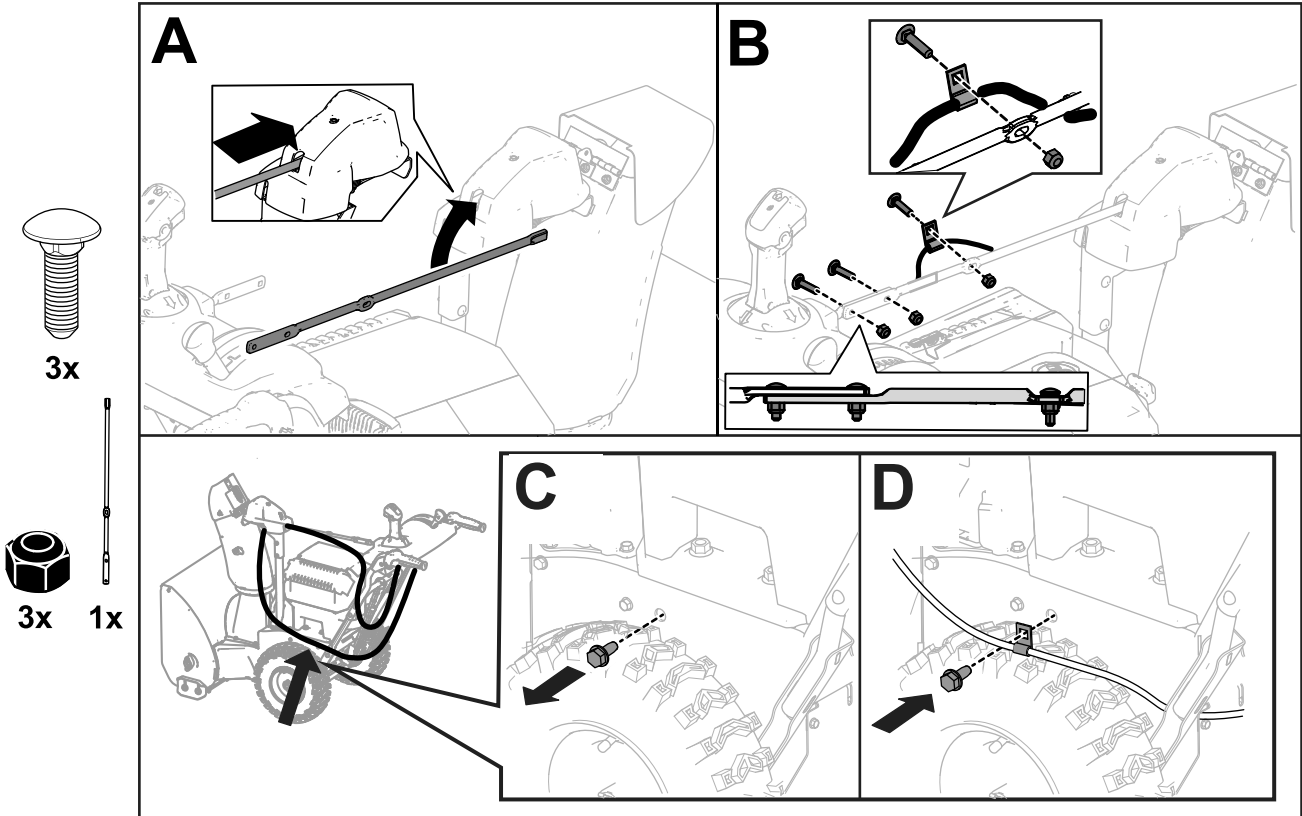
g344089

# 5

## Installing the Chute-Control Rod

No Parts Required

### Procedure



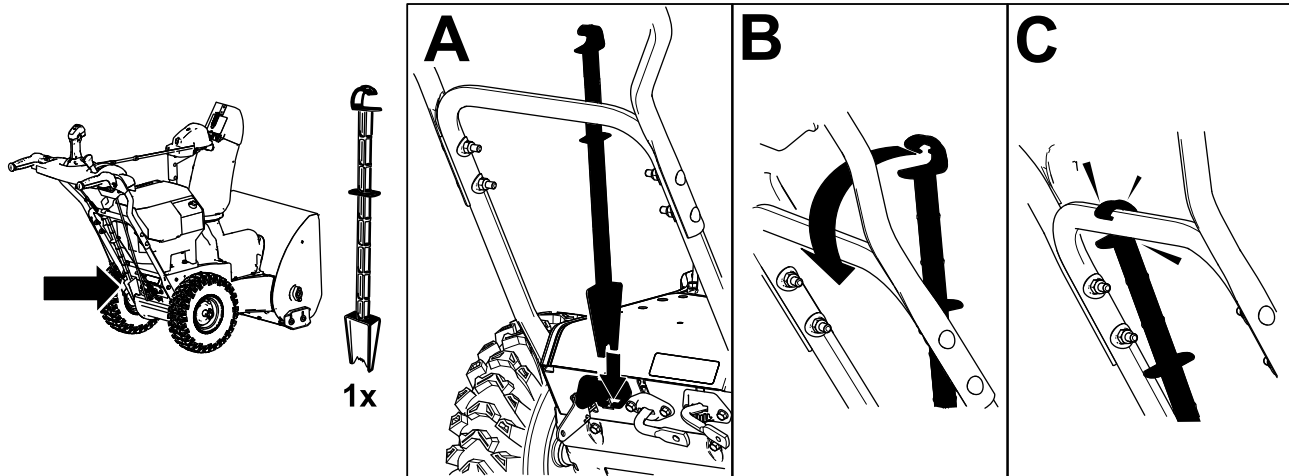
g344086

# 6

## Installing the Snow-Cleanout Tool

No Parts Required

### Procedure

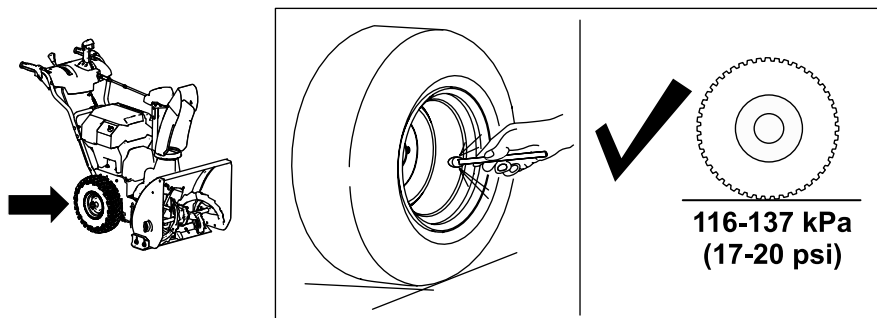


# 7

## Checking the Tire Pressure

No Parts Required

### Procedure



# 8

## Checking the Skids and Scraper

No Parts Required

### Procedure

Refer to [Checking and Adjusting the Skids and Scraper \(page 23\)](#).

# 9

## Checking the Operation of the Traction Drive

No Parts Required

### Procedure

#### ⚠ CAUTION

If the traction drive is not properly adjusted, the machine may move in the direction opposite of what you intended, causing injury and/or property damage.

Carefully check the traction drive and adjust it properly, if necessary.

1. Start the machine; refer to [Starting the Machine \(page 17\)](#).
2. Move the speed selector to Position R1; refer to [Operating the Speed Selector \(page 19\)](#).
3. Squeeze the left (traction) lever to the handgrip ([Figure 10](#)).

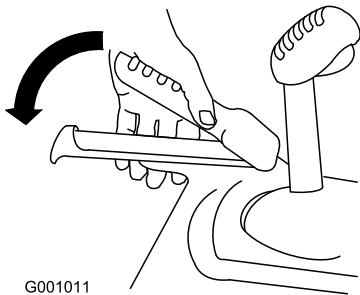


Figure 10

The machine should move rearward. If the machine does not move or moves forward, complete the following:

- A. Release the traction lever and shut off the machine; refer to [Shutting Off the Machine \(page 22\)](#).
  - B. Disconnect the trunnion from the speed-selector lever.
  - C. Turn the trunnion downward (clockwise) on the speed-control rod.
  - D. Connect the trunnion to the speed-selector lever.
4. Release the traction lever.
  5. Move the speed selector to Position 1; refer to [Operating the Speed Selector \(page 19\)](#).
  6. Squeeze the left (traction) lever to the handgrip ([Figure 10](#)).

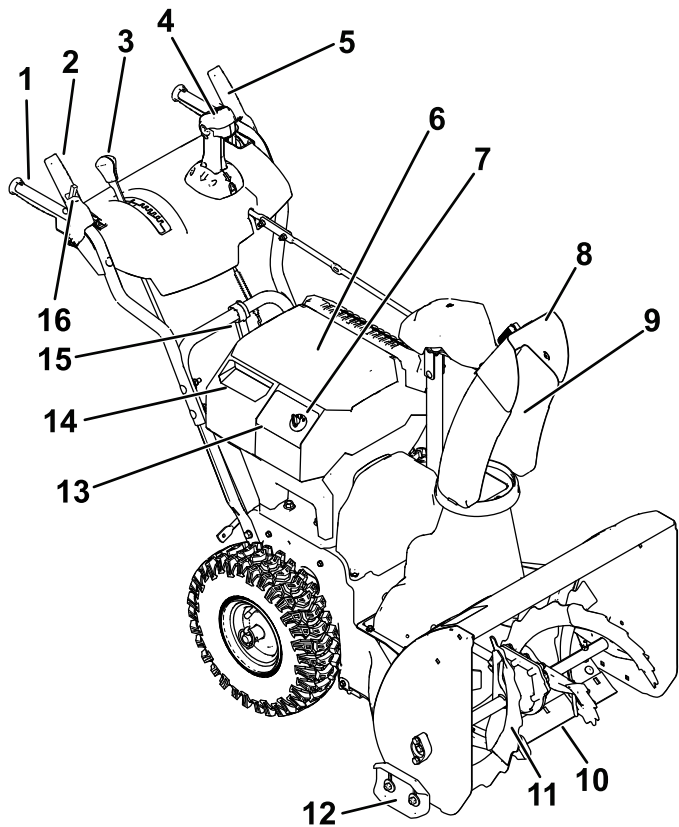
The machine should move forward. If the machine does not move or moves rearward, complete the following:

- A. Release the traction lever and shut off the machine.
  - B. Disconnect the trunnion from the speed-selector lever.
  - C. Turn the trunnion upward (counterclockwise) on the speed-control rod.
  - D. Connect the trunnion to the speed-selector lever.
7. If you made any adjustments, repeat this procedure until no adjustments are required.

**Important:** If the machine moves when the traction lever is in the released position, check the traction cable; refer to [Checking and Adjusting the Traction Cable \(page 24\)](#) or take the machine to an Authorized Service Dealer for service.



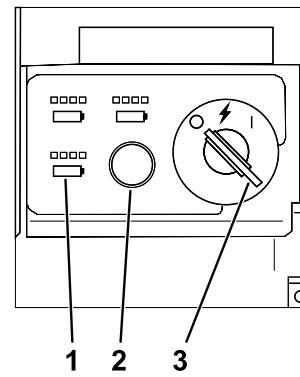
# Product Overview



**Figure 11**

g411293

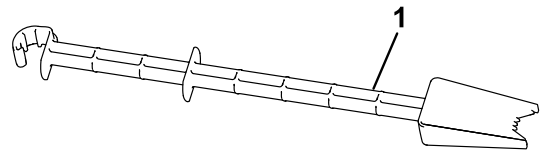
- |   |                                       |
|---|---------------------------------------|
| 1. Handgrip (2)                         | 9. Discharge chute                    |
| 2. Auger/impeller lever                 | 10. Scraper                           |
| 3. Speed-selector lever                 | 11. Auger                             |
| 4. Quick Stick® discharge-chute control | 12. Skid (2)                          |
| 5. Traction lever                       | 13. Control panel                     |
| 6. Main battery-compartment lid         | 14. Secondary battery-compartment lid |
| 7. Electric-start key                   | 15. Snow-cleanout tool                |
| 8. Chute deflector                      | 16. Lock switch                       |



**Figure 12**

g347780

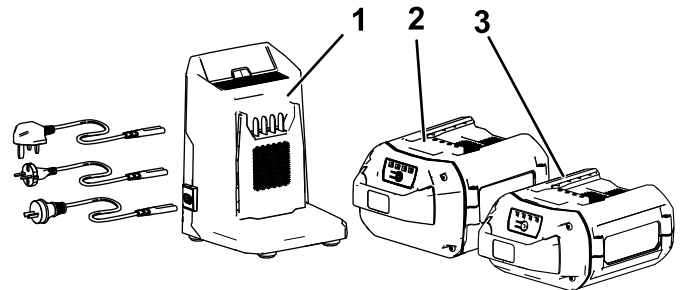
- |                          |                               |
|--------------------------|-------------------------------|
| 1. Battery charge lights | 3. Key switch in OFF position |
| 2. ECO button            |                               |



**Figure 13**

g344092

- |  |
|--|
| 1. Snow-cleanout tool (attached to the handle) |
|--|



**Figure 14**

g342171

- |  |  |
|--|--|
| 1. Battery charger Model 81805 (included with Model 31875) | 3. Battery pack Model 81825 (not included) |
| 2. Battery pack Model 81875 (included with Model 31875)    |  |

# Specifications

Model	Weight	Length	Width	Height
31875	64 kg (141 lb)	142 cm (56 inches)	71 cm (28 inches)	117 cm (46 inches)

## Battery Pack

Model	81875
Battery pack capacity	7.5 Ah
	405 Wh
Battery manufacturer rating = 60V maximum and 54V nominal. Actual voltage varies with load.	

## Battery Charger

Model	81805
Type	60V MAX Lithium-Ion Battery Rapid Charger
Input	100 to 240V AC 50/60Hz Max 5.0A
Output	60V MAX DC 5.5A

## Appropriate Temperature Ranges

Charge/store the battery pack at	5°C (41°F) to 40°C (104°F)*
Use the battery pack at	-30°C (-22°F) to 49°C (120°F)*
Use the machine at	-30°C (-22°F) to 49°C (120°F)*

\*Charging time will increase if you do not charge the battery within this range.

Store the machine, battery pack, and battery charger in an enclosed clean, dry area.

## Attachments/Accessories

A selection of Toro approved attachments and accessories is available for use with the machine to enhance and expand its capabilities. Contact your Authorized Service Dealer or authorized Toro distributor or go to [www.Toro.com](http://www.Toro.com) for a list of all approved attachments and accessories.

To ensure optimum performance and continued safety certification of the machine, use only genuine Toro replacement parts and accessories. Replacement parts and accessories made by other manufacturers could be dangerous.

# Operation

**Note:** Determine the left and right sides of the machine from the normal operating position.

## Before Operation

### Installing the Battery Pack

1. Ensure that the vents on the battery packs are clear of any dust and debris.
2. Lift up the battery-compartment lid.
3. Line up the cavity in the battery pack with the tongue on the machine and slide the battery pack into the compartment until it lock into place (Figure 9).
4. Close the battery-compartment lid.
5. Repeat for the other 2 battery cavities (if needed).

**Note:** The combined amp hours of all the installed batteries must add up to 6.0 or greater, otherwise the machine can not start.

**Note:** If the battery-compartment lid does not close completely, the battery is not fully installed.

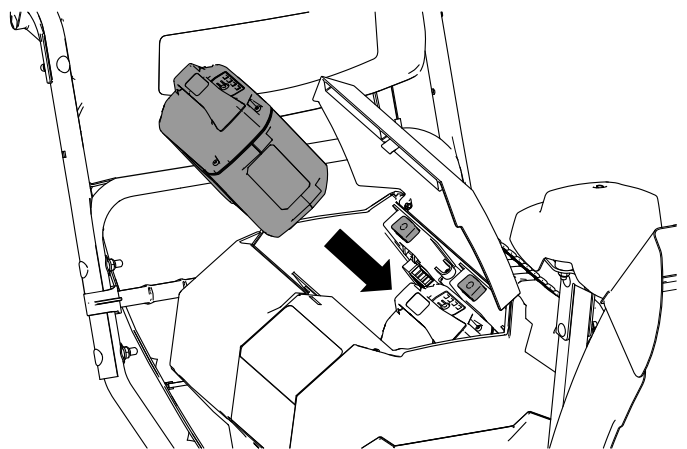


Figure 15

g348180

# Checking the State of Charge

You can view the exact state of charge of each installed battery; turn the key to the ACCESSORY position (Figure 16). The position of each set of lights corresponds to the related battery cavity. If the battery state of charge is too low and needs to be charged, or if there is no battery in the corresponding cavity, the battery presence light does not turn on.

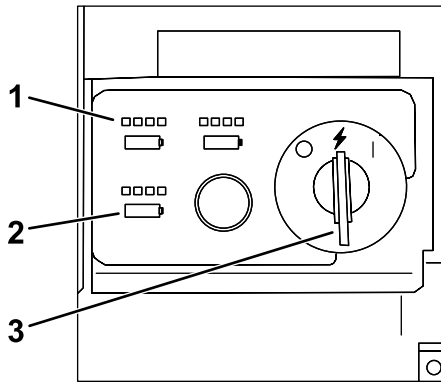


Figure 16

g348182

1. State-of-charge lights
2. Battery presence lights
3. Key switch in the ACCESSORY position

## During Operation

### Starting the Machine

**Note:** Use the battery pack only in temperatures that are within the appropriate range; refer to [Specifications \(page 16\)](#).

1. Ensure that the battery pack(s) are installed in the machine; refer to [Installing the Battery Pack \(page 16\)](#).
2. Insert the electric-start key into the control panel.
3. Turn the key to the ACCESSORY position.
4. Turn the key to the ON position to turn on the machine (Figure 17).

**Note:** If the key is turned from OFF position to the ON too quickly, the machine may not start; ensure that the key stops briefly in the middle ACCESSORY position.

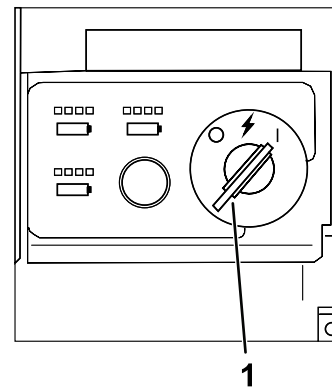


Figure 17

g347864

1. Key switch in ON position

**Note:** If the machine is turned on and left idling or operating without the auger engaged for an extended period, the motor shutoff timeout will engage, shutting off the machine. When the machine shuts off this way it beeps to indicate that the timeout was engaged.

### Activating ECO Mode

Using ECO mode may extend battery life by reducing rotor speed; use ECO mode whenever you are moving light snow, or moving snow a short distance. Activate ECO mode using the ECO button as shown in Figure 18.

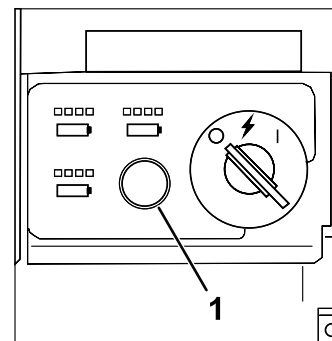


Figure 18

g347866

1. ECO mode button

# Charging the Battery Pack

**Important:** The battery pack is not fully charged when you purchase it. Before using the tool for the first time, place the battery pack in the charger and charge it until the LED display indicates the battery pack is fully charged. Read all safety precautions.

**Important:** Charge the battery pack only in temperatures that are within the appropriate range; refer to [Specifications \(page 16\)](#).

**Note:** At any time, press the battery-charge-indicator button on the battery pack to display the current charge (LED indicators).

1. Ensure that the vents on the battery and charger are clear of any dust and debris.

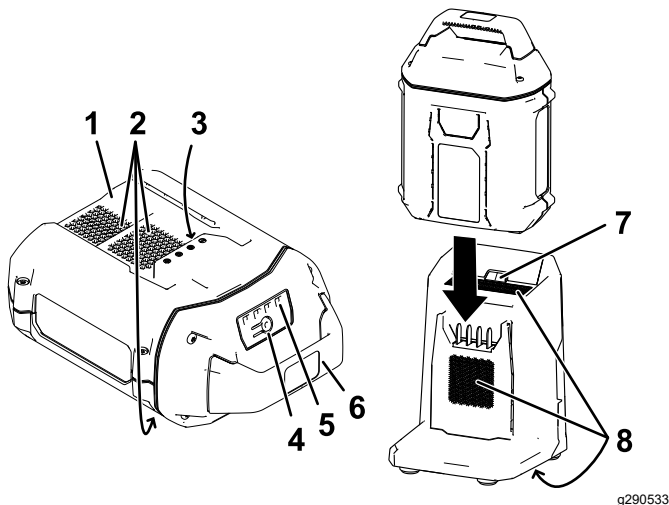


Figure 19

- |                                    |                                    |
|------------------------------------|------------------------------------|
| 1. Battery pack cavity             | 5. LED indicators (current charge) |
| 2. Battery pack venting areas      | 6. Handle                          |
| 3. Battery pack terminals          | 7. Charger LED indicator light     |
| 4. Battery-charge-indicator button | 8. Charger venting areas           |
2. Line up the cavity in the battery pack ([Figure 19](#)) with the tongue on the charger.
  3. Slide the battery pack into the charger until it is fully seated ([Figure 19](#)).

4. To remove the battery pack, slide the battery backward out of the charger.
5. Refer to the following table to interpret the LED indicator light on the battery charger.

Indicator light	Indicates
Off	No battery pack inserted
Green blinking	Battery pack is charging
Green	Battery pack is charged
Red	Battery pack and/or battery charger is over or under the appropriate temperature range
Red blinking	Battery pack charging fault*

\*Refer to [Troubleshooting \(page 28\)](#) for more information.

**Important:** The battery can be left on the charger for short periods between uses.

If the battery will not be used for longer periods, remove the battery from the charger; refer to [Storage \(page 27\)](#).

# Operating the Traction Drive

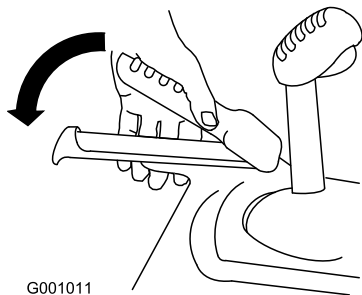
## ⚠ CAUTION

If the traction drive is not properly adjusted, the machine may move in the direction opposite of what you intended, causing injury and/or property damage.

Carefully check the traction drive and adjust it properly, if necessary; refer to [Checking and Adjusting the Traction Cable \(page 24\)](#) for more information.

**Important:** If the machine moves when the traction lever is in the released position, check the traction cable; refer to [Checking and Adjusting the Traction Cable \(page 24\)](#) or take the machine to an Authorized Service Dealer for service.

1. To engage the traction drive, squeeze the left (traction) lever to the handgrip ([Figure 20](#)).



G001011

Figure 20

g001011

2. To stop the traction drive, release the traction lever.

# Operating the Speed Selector

The speed selector has 6 forward and 2 reverse gears. To change speeds, release the traction lever and shift the speed-selector lever to the desired position ([Figure 21](#)). The lever locks in a notch at each speed selection.

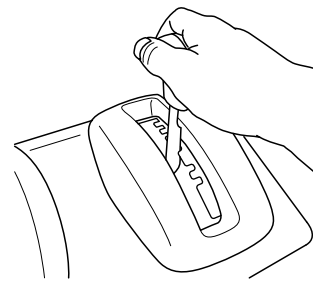


Figure 21

g322971

# Operating the Auger/Impeller Drive

1. To engage the auger/impeller drive, move back the lock switch on the lever, then squeeze the right (auger/impeller) lever to the handgrip ([Figure 22](#)).

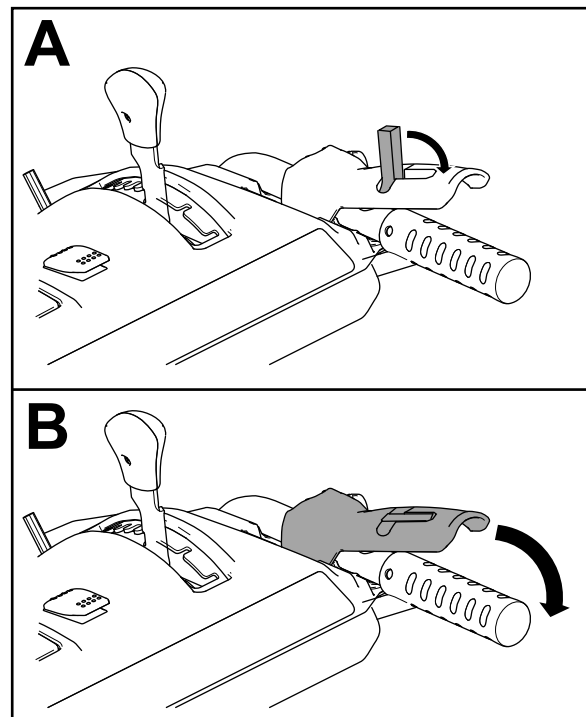


Figure 22

g360687

2. To stop the auger and impeller, release the right lever.

**Important:** When you engage both the auger/impeller lever and the traction lever, the traction lever locks the auger/impeller lever down, freeing your right hand. To release both levers, simply release the left (traction) lever.

3. If the auger and impeller continue to rotate when you release the auger/impeller lever, do not

operate the machine. Check the auger/impeller cable; refer to [Checking and Adjusting the Auger/Impeller Cable \(page 25\)](#) and adjust it if necessary. Otherwise, take the machine to an Authorized Service Dealer for service.

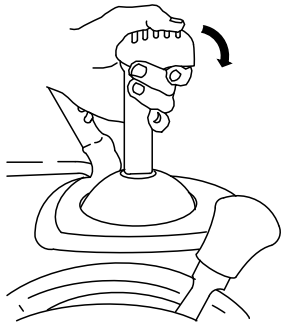
**⚠ WARNING**

If the auger and impeller continue to rotate when you release the auger/impeller lever, you could seriously injure yourself or others.

Do not operate the machine. Take it to an Authorized Service Dealer for service.

## Operating the Quick Stick®

Hold the blue trigger cap down to use the Quick Stick to move the discharge chute and the chute deflector. Release the trigger cap to lock the discharge chute and chute deflector into position ([Figure 23](#)).



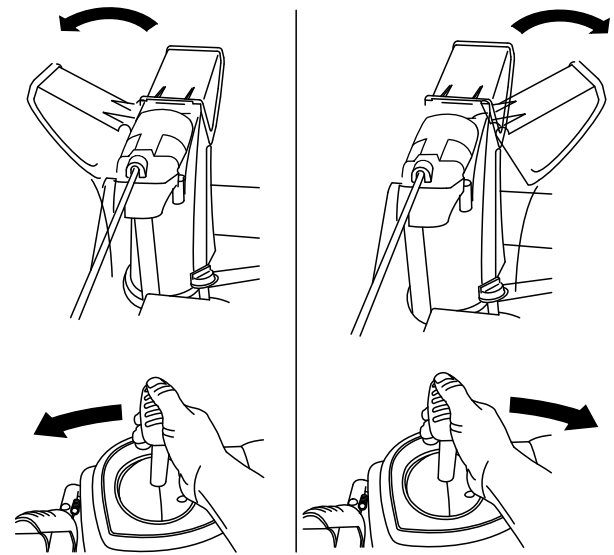
G001014

**Figure 23**

g001014

## Moving the Discharge Chute

Hold the blue trigger cap down and move the Quick Stick to the left to move the discharge chute to the left; move the Quick Stick to the right to move the discharge chute to the right ([Figure 24](#)).



g018894

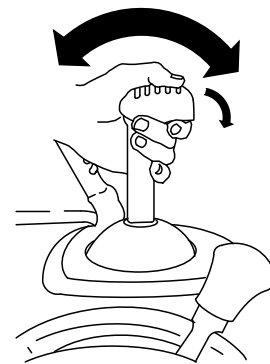
g018894

**Figure 24**

- If the chute does not turn as far to the left as it does to the right, ensure that the cable is routed to the inside of the handles. Refer to [2 Installing the Upper Handle \(page 9\)](#).
- If the chute does not move, or does not lock into place when you release the trigger cap, you must adjust the discharge-chute latch cable.

## Moving the Chute Deflector

Hold the blue trigger cap down and move the Quick Stick forward to lower the chute deflector; move it rearward to raise the chute deflector ([Figure 25](#)).



G001016

g001016

**Figure 25**

# Clearing a Clogged Discharge Chute

## ⚠ WARNING

If the auger/impeller is running but there is no snow coming out of the discharge chute, the discharge chute may be clogged.

Never use your hands to clear a clogged discharge chute. This could result in personal injury.

- To unclog the discharge chute, stay in the operating position and release the left (traction) lever. While running the auger/impeller, push down on the handles to raise the front of the machine a few centimeters (inches) off the pavement. Then lift the handles quickly to bump the front of the machine on the pavement. Repeat if necessary until a stream of snow comes out the discharge chute.
- If you cannot unclog the discharge chute by bumping the front of the machine, **shut off the machine, wait for all moving parts to stop, and use the snow-cleanout tool (Figure 13).**

**Important:** Unclogging the discharge chute by bumping the front of the machine on the pavement may cause the skids to move. Adjust the skids and tighten the skid bolts securely; refer to [Checking and Adjusting the Skids and Scraper \(page 23\)](#).

# Operating Tips

## ⚠ DANGER

When the machine is in operation, the impeller and auger rotate and can injure or amputate hands or feet.

- Before adjusting, cleaning, inspecting, troubleshooting, or repairing the machine, shut off the machine and wait for all moving parts to stop. Remove the key and the battery from the machine to prevent someone from accidentally starting the machine.
- Remove any obstructions from the discharge chute; refer to [Clearing a Clogged Discharge Chute \(page 21\)](#). Use the snow-cleanout tool ([Figure 13](#)), not your hands, to remove an obstruction from the discharge chute.
- Stay behind the handles and away from the discharge opening while operating the machine.
- Keep your face, hands, feet, and any other part of your body or clothing away from concealed, moving, or rotating parts.

## ⚠ WARNING

The impeller can throw stones, toys, and other foreign objects and cause serious personal injury to you or bystanders.

- Keep the area to be cleared free of all objects that the auger could pick up and throw.
- Keep all children and pets away from the area of operation.

For best results, consider the following:

- If the machine slows down under a load or the wheels slip, shift the machine into a lower gear; refer to [Operating the Speed Selector \(page 19\)](#).
- If the front of the machine rides up, shift the machine into a lower gear. If the front continues to ride up, lift up on the handles.
- Remove the snow as soon as possible after it falls.
- Push the machine forward, but allow it to work at its own pace.
- Overlap each swath to ensure complete snow removal.
- Discharge the snow downwind whenever possible.

# After Operation

## Shutting Off the Machine

1. Release the traction and auger/impeller levers.
2. Turn the key to the OFF position and remove it from the control panel (Figure 12).
3. Remove the battery pack(s); refer to [Removing the Battery Pack from the Machine](#) (page 22).

**Note:** Whenever you are not using the machine, remove the battery pack(s) and the key from the machine.

**Note:** If the machine is turned on and left idling or operating without the auger engaged for an extended period, the motor shutoff timeout will engage, shutting off the machine. When the machine shuts off this way it beeps to indicate that the timeout was engaged.

To restart the machine refer to [Starting the Machine](#) (page 17).

## Removing the Battery Pack from the Machine

1. Lift up the battery-compartment lid.
2. Press the battery pack-latch to release the battery pack and remove the battery pack (Figure 26).

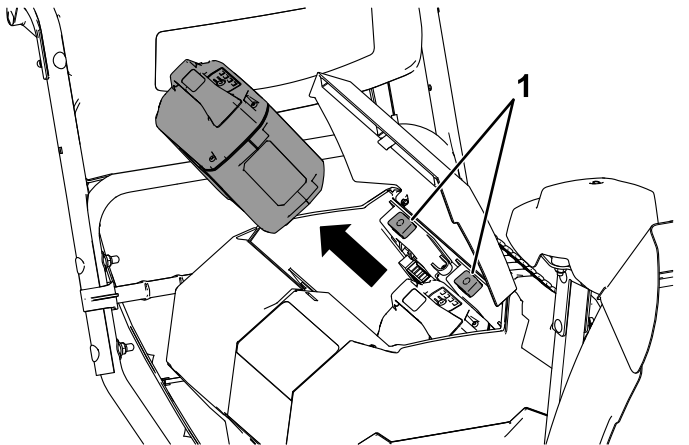


Figure 26

3. Close the battery-compartment lid.

## Preventing Freeze-up after Use

- In snowy and cold conditions, some controls and moving parts may freeze. **Do not use excessive force when trying to operate frozen controls.** If you have difficulty operating any control or part, start the machine and let it run for a few minutes.
- After using the machine, let the machine run for a few minutes to prevent moving parts from freezing. Engage the auger/impeller to clear any remaining snow from inside the housing. Rotate the Quick Stick to prevent it from freezing. Shut off the machine, wait for all moving parts to stop, remove the key and the battery, and remove all ice and snow from the machine.
- Clean off any snow and ice from the base of the chute.
- Rotate the discharge chute left and right to free it from any ice buildup.



# Maintenance

## Recommended Maintenance Schedule(s)

Maintenance Service Interval	Maintenance Procedure
After the first 2 hours	<ul style="list-style-type: none"> <li>Inspect the traction cable and adjust it if necessary.</li> <li>Inspect the auger/impeller cable and adjust it if necessary.</li> </ul>
Yearly	<ul style="list-style-type: none"> <li>Check the skids and the scraper and adjust them if necessary.</li> <li>Inspect the traction cable and adjust or replace it if necessary.</li> <li>Inspect the auger/impeller cable and adjust or replace it if necessary.</li> <li>Check the auger-gearbox oil and add oil if necessary.</li> <li>Lubricate the hex shaft.</li> </ul>
Yearly or before storage	<ul style="list-style-type: none"> <li>Check the air pressure in the tires and inflate them to 116 to 137 kPa (17 to 20 psi).</li> <li>Have an Authorized Service Dealer inspect and replace the traction-drive belt and/or the auger/impeller drive belt, if necessary.</li> </ul>

## Preparing for Maintenance

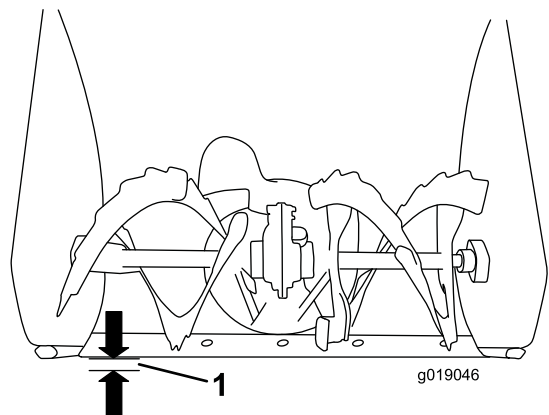
1. Move the machine to a level surface.
2. Stop the machine, remove the electric-start key, wait for all movement to stop, and remove the battery pack from the machine before adjusting, servicing, cleaning, or storing the machine.

## Checking and Adjusting the Skids and Scraper

**Service Interval:** Yearly—Check the skids and the scraper and adjust them if necessary.

Check the skids and the scraper to ensure that the auger does not contact the paved or gravel surface. Adjust the skids and the scraper as needed to compensate for wear.

1. Check the tire pressure; refer to [7 Checking the Tire Pressure \(page 13\)](#).
2. Loosen the nuts that secure both skids to the auger sides until the skids slide up and down easily.



**Figure 27**

1. 3 mm (1/8 inch)

**Important:** The auger blades must be supported above the ground by the skids.

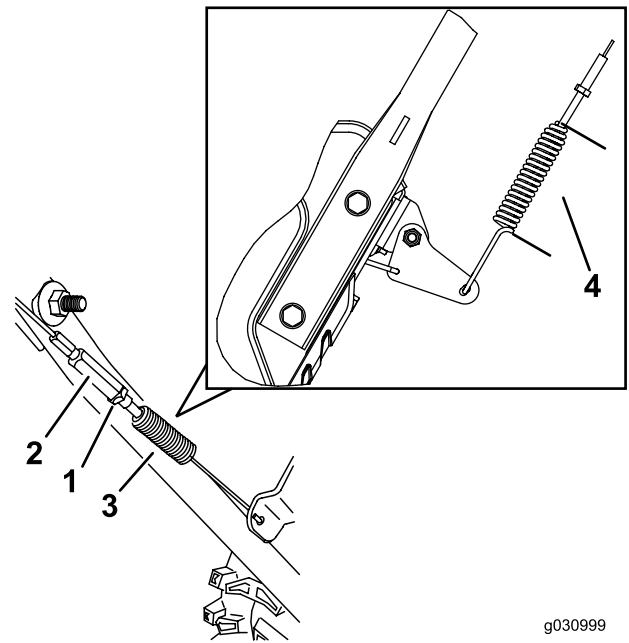
3. Ensure that the scraper is 3 mm (1/8 inch) above and parallel to a level surface.

**Note:** If the pavement is cracked, rough, or uneven, adjust the skids to raise the scraper. For gravel surfaces, adjust the skids further down to prevent the machine from picking up rocks.

4. Move the skids down until they are even with the ground.
5. Firmly tighten the nuts that secure both skids to the auger sides.

**Note:** To quickly adjust the skids if they loosen, support the scraper 3 mm (1/8 inch) off the pavement, then adjust the skids down to the pavement.

**Note:** If the skids become excessively worn, you can turn them over and set the unused side toward the pavement.



g030999

g030998

**Figure 29**

- |               |                           |
|---------------|---------------------------|
| 1. Jam nut    | 3. Spring                 |
| 2. Turnbuckle | 4. 5.5 cm (2–3/16 inches) |

## Checking and Adjusting the Traction Cable

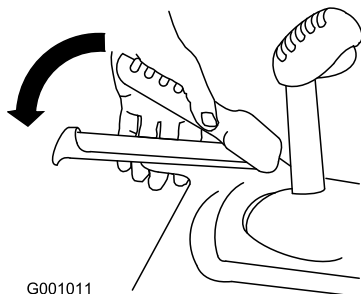
**Service Interval:** After the first 2 hours—Inspect the traction cable and adjust it if necessary.

Yearly—Inspect the traction cable and adjust or replace it if necessary.

If the machine does not drive in the forward or reverse speeds or it drives when you release the traction lever, adjust the traction cable.

If the left (traction) cable is not properly adjusted, do the following steps:

1. Loosen the jam nut.
2. Engage the traction lever and hold it in place (Figure 28).



G001011

g001011

**Figure 28**

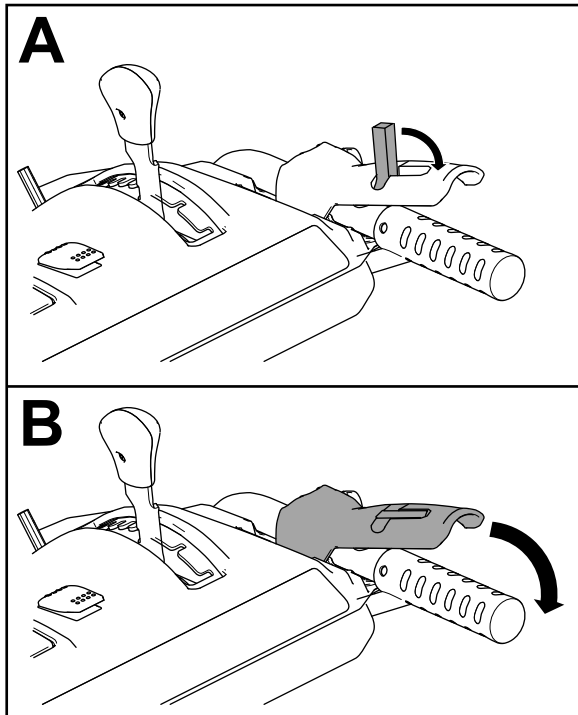
3. Loosen or tighten the turnbuckle to adjust the spring length to 5.5 cm (2–3/16 inches) as shown in Figure 29.

# Checking and Adjusting the Auger/Impeller Cable

**Service Interval:** After the first 2 hours—Inspect the auger/impeller cable and adjust it if necessary.

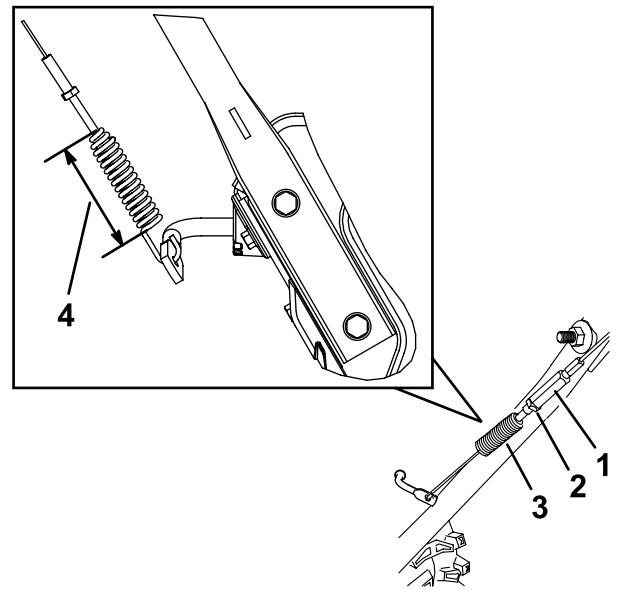
Yearly—Inspect the auger/impeller cable and adjust or replace it if necessary.

1. Loosen the jam nut ([Figure 31](#)).
2. Engage the auger/impeller lever and hold it in place ([Figure 30](#)).



**Figure 30**

g360687



g371834

**Figure 31**

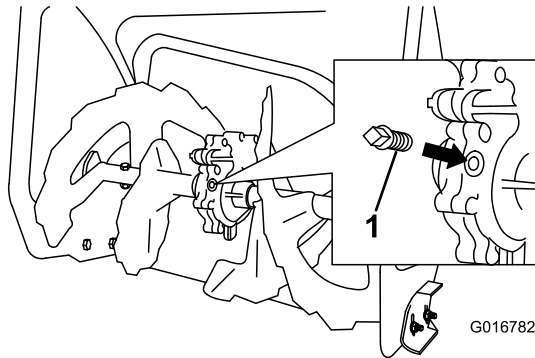
1. Turnbuckle
  2. Jam nut
  3. Spring
  4. 6.6 cm (2-3/5 inches) while the auger/impeller lever is held down.
- 
4. Tighten the jam nut ([Figure 31](#)), ensuring that there is slight tension on the cable.
  5. Turn on the machine and attempt to engage the auger/impeller drive without moving the lock switch back; if the auger rotates, loosen the turnbuckle so that the auger does not engage.
  6. If the auger/impeller cable is properly adjusted but a problem remains, contact an Authorized Service Dealer.

3. Loosen or tighten the turnbuckle to adjust the spring length to 6.6 cm (2-3/5 inches) as shown in [Figure 31](#).

# Checking the Auger-Gearbox-Oil Level

**Service Interval:** Yearly—Check the auger-gearbox oil and add oil if necessary.

1. Move the machine to a level surface.
2. Clean the area around the pipe plug (Figure 32).



**Figure 32**

1. Pipe plug

3. Remove the pipe plug from the gearbox.
4. Check the oil level in the gearbox. The oil should be 9.5 mm (3/8 inch) below the filler opening.
5. If the oil level is low, add GL-5 or GL-6, SAE 80-90 EP gear oil lubricant to the gearbox until the oil level is 9.5 mm (3/8 inch) below the filler opening.

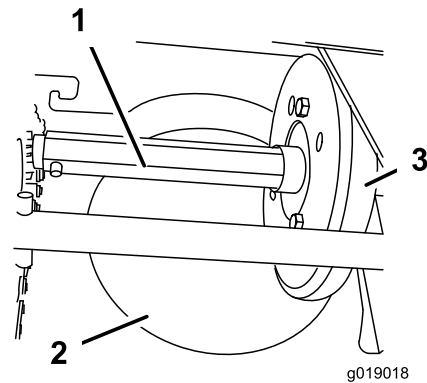
**Note:** Do not use synthetic oil.

6. Install the pipe plug in the gearbox.

# Lubricating the Hex Shaft

**Service Interval:** Yearly—Lubricate the hex shaft.

Lightly lubricate the hex shaft yearly with automotive engine oil (Figure 33).

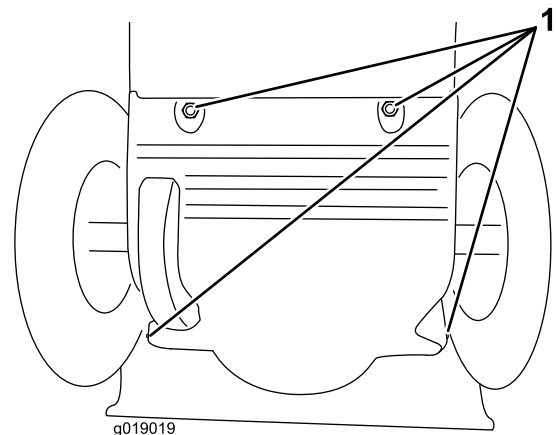


**Figure 33**

1. Hex shaft
2. Steel friction pulley
3. Rubber wheel

**Important:** Do not get oil on the rubber wheel or the steel friction pulley because the traction drive will slip (Figure 33).

1. Drain the fuel from the fuel tank.
2. Tip the machine forward onto its auger housing and block it so that it cannot fall.
3. Remove the back cover (Figure 34).



**Figure 34**

1. Screws
4. Move the speed-selector lever to Position R2.
5. Dip your finger in automotive engine oil and **lightly** lubricate the hex shaft.
6. Move the speed-selector lever to Position 6.
7. Lubricate the other end of the hex shaft.
8. Move the speed-selector lever forward and rearward a few times.
9. Install the back cover and return the machine to the operating position.

## Replacing the Drive Belts

If the auger/impeller drive belt or the traction-drive belt becomes worn, oil-soaked, or otherwise damaged, have an Authorized Service Dealer replace the belt.

## Storage

### Storing the Machine

**Important:** Store the machine, battery pack, and charger only in temperatures that are within the appropriate range; refer to [Specifications \(page 16\)](#).

**Important:** If you are storing the battery pack for the off-season, charge it until 2 or 3 LED indicators turn green on the battery. Do not store a fully charged or fully depleted battery. When you are ready to use the machine again, charge the battery pack until the left indicator light turns green on the charger or all 4 LED indicators turn green on the battery.

- Disconnect the product from the power supply (i.e., remove the plug from the power supply or the battery pack), remove the key, and check for damage after use.
- Clean all foreign material from the product.
- Do not store the tool with the battery pack installed.
- When not in use, store the machine, battery pack, key, and battery charger out of the reach of children.
- Keep the machine, battery pack, key, and battery charger away from corrosive agents, such as garden chemicals and de-icing salts.
- To reduce the risk of serious personal injury, do not store the battery pack outside or in vehicles.
- Touch up chipped surfaces with paint available from an Authorized Service Dealer. Sand affected areas before painting, and use a rust preventative to prevent the metal parts from rusting.
- Tighten all loose screws, bolts, and locknuts. Repair or replace any damaged parts.
- Store the machine, battery pack, key, and battery charger in an enclosed clean, dry area.

### Preparing the Battery Pack for Recycling

**Important:** Upon removal, cover the terminals of the battery pack with heavy-duty adhesive tape. Do not attempt to destroy or disassemble the battery pack or remove any of its components.

Contact your local municipality or your authorized Toro distributor for more information on how to responsibly recycle the battery.

# Troubleshooting

Problem	Possible Cause	Corrective Action
The machine does not run or does not run continuously.	<ol style="list-style-type: none"> <li>1. The motor shutoff timeout was reached because the auger was not engaged for an extended period of time.</li> <li>2. The key was turned from OFF to ON too quickly.</li> <li>3. The battery pack is low on charge.</li> <li>4. The battery pack is not fully seated.</li> <li>5. The battery pack is over or under the appropriate temperature range.</li> <li>6. The battery pack has exceeded high amperage limits.</li> <li>7. There is moisture on the leads of the battery pack.</li> <li>8. The battery pack is damaged.</li> <li>9. There is another electrical problem with the machine.</li> </ol>	<ol style="list-style-type: none"> <li>1. No issue, restart the machine. The machine beeps to indicate that the motor shutoff timeout was reached.</li> <li>2. Turn the key slower, ensure that the key stops briefly in the middle ACCESSORY position.</li> <li>3. Charge the battery pack.</li> <li>4. Ensure that the battery pack is inserted all the way into the housing.</li> <li>5. Move the battery pack to a place where it is dry and the temperature is between 5°C (41°F) and 40°C (104°F).</li> <li>6. Release the trigger, then press the trigger switch.</li> <li>7. Allow the battery pack to dry or wipe it dry.</li> <li>8. Replace the battery pack.</li> <li>9. Contact an Authorized Service Dealer.</li> </ol>
The machine does not reach full power.	<ol style="list-style-type: none"> <li>1. The battery pack charge capacity is too low.</li> <li>2. The air vents are blocked.</li> </ol>	<ol style="list-style-type: none"> <li>1. Remove the battery pack from the machine and fully charge the battery pack.</li> <li>2. Clean the air vents.</li> </ol>
The machine is producing a beeping sound.	<ol style="list-style-type: none"> <li>1. The motor shutoff timeout was reached because the auger was not engaged for an extended period of time.</li> <li>2. The battery pack is low on charge.</li> <li>3. The machine is overloaded.</li> <li>4. There is another electrical problem with the machine.</li> </ol>	<ol style="list-style-type: none"> <li>1. No issue, restart the machine. The machine beeps to indicate that the motor shutoff timeout was reached.</li> <li>2. Charge the battery pack.</li> <li>3. Walk at a slower pace while clearing snow or break up a large pile of snow before clearing it.</li> <li>4. Attempt the other troubleshooting actions, if the alarm still sounds, contact an Authorized Service Dealer.</li> </ol>
The machine runs, but the machine discharges snow poorly or not at all.	<ol style="list-style-type: none"> <li>1. The machine is moving too fast to clear the snow.</li> <li>2. You are trying to remove too much snow per swath.</li> <li>3. You are trying to remove extremely heavy or wet snow.</li> <li>4. The discharge chute is plugged.</li> <li>5. The auger/impeller drive belt is loose or is off the pulley.</li> <li>6. The auger/impeller drive belt is worn or broken.</li> </ol>	<ol style="list-style-type: none"> <li>1. Shift the machine into a lower gear.</li> <li>2. Reduce the amount of snow removed per swath.</li> <li>3. Do not overload the machine with extremely heavy or wet snow.</li> <li>4. Unclog the discharge chute.</li> <li>5. Install and/or adjust the auger/impeller drive belt; refer to <a href="http://www.Toro.com">www.Toro.com</a> for servicing information or take the machine to an Authorized Service Dealer.</li> <li>6. Replace the auger/impeller drive belt; refer to <a href="http://www.Toro.com">www.Toro.com</a> for servicing information or take the machine to an Authorized Service Dealer.</li> </ol>
The discharge chute either does not lock into place or does not move.	<ol style="list-style-type: none"> <li>1. The discharge-chute latch cable is not properly adjusted.</li> </ol>	<ol style="list-style-type: none"> <li>1. Adjust the discharge-chute latch cable.</li> </ol>

<b>Problem</b>	<b>Possible Cause</b>	<b>Corrective Action</b>
The machine does not properly clear the snow off the surface.	<ol style="list-style-type: none"> <li>1. The skids and/or scraper are not properly adjusted.</li> <li>2. The pressure in the tires is not equal.</li> </ol>	<ol style="list-style-type: none"> <li>1. Adjust the skids and/or the scraper.</li> <li>2. Check and adjust the pressure in 1 or both tires.</li> </ol>
The battery pack loses charge quickly.	<ol style="list-style-type: none"> <li>1. The battery pack is over or under the appropriate temperature range.</li> <li>2. The machine is overloaded.</li> </ol>	<ol style="list-style-type: none"> <li>1. Move the battery pack to a place where it is dry and the temperature is between 5°C (41°F) and 40°C (104°F).</li> <li>2. Push the machine with less force.</li> </ol>
The battery charger is not working.	<ol style="list-style-type: none"> <li>1. The battery charger is over or under the appropriate temperature range.</li> <li>2. The outlet that the battery charger is plugged into does not have power.</li> </ol>	<ol style="list-style-type: none"> <li>1. Unplug the battery charger and move it to a place where it is dry and the temperature is between 5°C (41°F) and 40°C (104°F).</li> <li>2. Contact your licensed electrician to repair the outlet.</li> </ol>
The LED indicator light on the battery charger is red.	<ol style="list-style-type: none"> <li>1. The battery charger and/or battery pack is over or under the appropriate temperature range.</li> </ol>	<ol style="list-style-type: none"> <li>1. Unplug the battery charger and move the battery charger and battery pack to a place where it is dry and the temperature is between 5°C (41°F) and 40°C (104°F).</li> </ol>
The LED indicator light on the battery charger is blinking red.	<ol style="list-style-type: none"> <li>1. There is an error in the communication between the battery pack and the charger.</li> <li>2. The battery pack is weak.</li> </ol>	<ol style="list-style-type: none"> <li>1. Remove the battery pack from the battery charger, unplug the battery charger from the outlet, and wait 10 seconds. Plug the battery charger into the outlet again and place the battery pack on the battery charger. If the LED indicator light on the battery charger is still blinking red, repeat this procedure again. If the LED indicator light on the battery charger is still blinking red after 2 attempts, properly dispose of the battery pack at a battery recycling facility.</li> <li>2. Contact your authorized service dealer if the battery is in warranty, or properly dispose of the battery pack at a battery recycling facility.</li> </ol>

## EEA/UK Privacy Notice

### **Toro's Use of Your Personal Information**

The Toro Company ("Toro") respects your privacy. When you purchase our products, we may collect certain personal information about you, either directly from you or through your local Toro company or dealer. Toro uses this information to fulfil contractual obligations - such as to register your warranty, process your warranty claim or to contact you in the event of a product recall - and for legitimate business purposes - such as to gauge customer satisfaction, improve our products or provide you with product information which may be of interest. Toro may share your information with our subsidiaries, affiliates, dealers or other business partners in connection these activities. We may also disclose personal information when required by law or in connection with the sale, purchase or merger of a business. We will never sell your personal information to any other company for marketing purposes.

### **Retention of your Personal Information**

Toro will keep your personal information as long as it is relevant for the above purposes and in accordance with legal requirements. For more information about applicable retention periods please contact [legal@toro.com](mailto:legal@toro.com).

### **Toro's Commitment to Security**

Your personal information may be processed in the US or another country which may have less strict data protection laws than your country of residence. Whenever we transfer your information outside of your country of residence, we will take legally required steps to ensure that appropriate safeguards are in place to protect your information and to make sure it is treated securely.

### **Access and Correction**

You may have the right to correct or review your personal data, or object to or restrict the processing of your data. To do so, please contact us by email at [legal@toro.com](mailto:legal@toro.com). If you have concerns about the way in which Toro has handled your information, we encourage you to raise this directly with us. Please note that European residents have the right to complain to your Data Protection Authority.





# Schneefräse Power Max® e26 60V

Modellnr. 31875—Seriennr. 400000000 und höher

Form No. 3444-275 Rev B

## Bedienungsanleitung

## Einführung

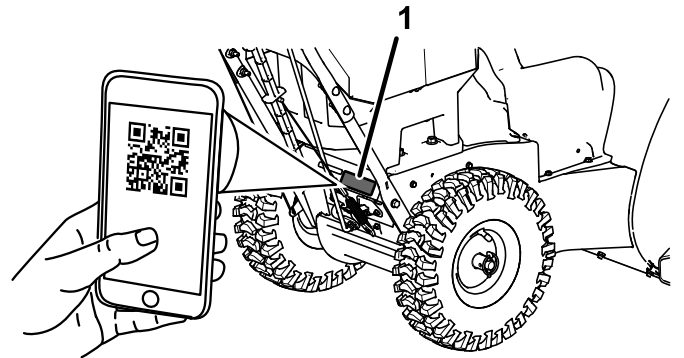
Diese Schneefräse ist zur Verwendung durch Privatleute ausgelegt. Die Maschine ist für das Räumen von Schnee von geteerten Oberflächen, wie z. B. Einfahrten oder Gehwegen, anderen Gehbereichen auf privatem oder öffentlichem Gelände gedacht. Sie ist für die Verwendung mit Toro 60V Lithium-Ionen-Akkus ausgelegt. Diese Akkus sind nur für das Aufladen durch Toro 60V Lithium-Ionen-Ladegeräte vorgesehen. Der zweckfremde Einsatz dieser Produkte kann für Sie und Unbeteiligte gefährlich sein.

Lesen Sie diese Informationen sorgfältig durch, um sich mit dem ordnungsgemäßen Einsatz und der Wartung des Geräts vertraut zu machen und Verletzungen und eine Beschädigung des Geräts zu vermeiden. Sie tragen die Verantwortung für einen ordnungsgemäßen und sicheren Einsatz des Geräts.

Besuchen Sie [Toro.com](http://Toro.com), hinsichtlich Produktsicherheit und Schulungsunterlagen, Zubehörinformationen, Standort eines Händlers, oder Registrierung des Produkts.

Wenden Sie sich an Ihren Toro-Vertragshändler oder Kundendienst, wenn Sie eine Serviceleistung, Toro Originalersatzteile oder weitere Informationen benötigen. Haben Sie dafür die Modell- und Seriennummern der Maschine griffbereit. [Bild 1](#) zeigt die Position der Modell- und Seriennummern am Produkt. Tragen Sie hier bitte die Modell- und Seriennummern des Geräts ein.

**Wichtig:** Scannen Sie mit Ihrem Mobilgerät den QR-Code auf dem Seriennummernaufkleber (falls vorhanden), um auf Garantie-, Ersatzteil- oder andere Produktinformationen zuzugreifen.



**Bild 1**

g397375

1. Modellnummer, Seriennummer und Lage des QR-Codes

Modellnr. \_\_\_\_\_

Seriennr. \_\_\_\_\_



# Sicherheitswarnsymbol

Dieses Sicherheitswarnsymbol (Bild 1) in diesem Handbuch und an der Maschine weist auf wichtige Sicherheitshinweise hin, die Sie beachten müssen, um Unfälle zu vermeiden.



**Bild 2**

Sicherheitswarnsymbol

g000502

Das Sicherheitswarnsymbol wird über Information dargestellt, die Sie vor unsicheren Handlungen oder Situationen warnen, gefolgt von dem Wort **GEFAHR**, **WARNUNG** oder **VORSICHT**.

**GEFAHR** bezeichnet eine unmittelbar drohende Gefahr. Wenn sie nicht gemieden wird, **sind** Tod oder schwerste Verletzungen die Folge.

**WARNUNG** bezeichnet eine möglicherweise drohende Gefahr. Wenn sie nicht gemieden wird, **können** Tod oder schwerste Verletzungen die Folge sein.

**VORSICHT** bezeichnet eine möglicherweise drohende Gefahr. Wenn sie nicht gemieden wird, **können leichte** oder geringfügige Verletzungen die Folge sein.

In dieser Anleitung werden zwei weitere Begriffe zur Hervorhebung von Informationen verwendet. **Wichtig** weist auf spezielle technische Informationen hin, und **Hinweis** hebt allgemeine Informationen hervor, die Ihre besondere Beachtung verdienen.

Dieses Produkt erfüllt alle relevanten europäischen Richtlinien; weitere Details finden Sie in der produktspezifischen Konformitätserklärung (DOC).

# Inhalt

Einführung .....	1
Sicherheitswarnsymbol .....	2
Sicherheit .....	3
Sicherheits- und Bedienungsschilder .....	7
Einrichtung .....	10
1 Befestigung des Batterieladegeräts (optional) .....	10
2 Einbauen des oberen Holms .....	10
3 Einbauen des Auswurfkanals .....	11
4 Einbauen des Fahrtriebsgestänges .....	11
5 Einbauen der Schaltstange für den Auswurfkanal .....	12
6 Montieren des Werkzeugs zum Entfernen von Schneeverstopfungen .....	13
7 Prüfen des Reifendrucks .....	14
8 Prüfen der Kufen und des Abstreifers .....	15
9 Überprüfen der Funktion des Fahrtriebs .....	15
Produktübersicht .....	16
Technische Daten .....	17
Anbaugeräte, Zubehör .....	17
Betrieb .....	17
Vor dem Einsatz .....	17
Einsetzen des Akkupacks .....	17
Prüfen des Ladezustands .....	18
Während des Einsatzes .....	18
Anlassen der Maschine .....	18
Aktivieren des ECO-Modus .....	18
Aufladen des Akkupacks .....	19
Einsetzen des Fahrtriebs .....	20
Verwenden des Geschwindigkeitsschalthe- bels .....	20
Verwenden des Räumwerk- bzw. Gebläseradantriebs .....	20
Verwenden des Quick Stick® .....	21
Entfernen von Verstopfungen vom Auswurfkanal .....	22
Betriebshinweise .....	22
Nach dem Einsatz .....	24
Abstellen der Maschine .....	24
Akkupack aus der Maschine entfernen. ....	24
Vermeiden des Einfrierens nach dem Einsatz .....	24
Wartung .....	25
Empfohlener Wartungsplan .....	25
Vorbereiten für die Wartung .....	25
Prüfen und Einstellen der Kufen und der Schürfleiste .....	25
Prüfen und Einstellen des Bowdenzugs .....	26
Prüfen und Einstellen des Räumwerk- bzw. Gebläseradkabels .....	27
Prüfen des Ölstands im Räumwerkge- triebe .....	28
Einschmieren der Sechskantwelle .....	28
Austauschen der Treibriemen .....	29

Einlagerung .....	29
Einlagern der Maschine .....	29
Fehlersuche und -behebung .....	31

# Sicherheit

WARNUNG: Bei der Verwendung einer elektrischen Maschine sind die grundlegenden Sicherheitshinweise und Anweisungen immer zu lesen und einzuhalten, um die Gefahr eines Brands, eines Stromschlags und von Verletzungen zu verringern, u. a.:

## LESEN SIE ALLE ANWEISUNGEN

WARNUNG: Bei der Verwendung einer elektrischen Maschine sollten stets die grundlegenden Sicherheitsvorkehrungen befolgt werden, um das Risiko eines Brandes, eines elektrischen Schlages oder einer Verletzung zu verringern, einschließlich der folgenden:

### I. Schulung

1. Der Bediener der Maschine ist für alle Unfälle oder Gefahren verantwortlich, die sich für andere oder deren Eigentum ereignen.
2. Lesen und verstehen Sie vor dem Anlassen der Maschine den Inhalt dieser *Bedienungsanleitung*. Stellen Sie sicher, dass alle Personen, welche die Maschine verwenden, mit der richtigen Verwendung vertraut sind und wissen, wie diese schnell abgestellt wird sowie die Warnhinweise verstehen.
3. Lassen Sie Kinder nicht mit dem Akkupack oder dem Akkuladegerät der Maschine spielen; örtliche Vorschriften bestimmen u. U. das Mindestalter von Bedienpersonen.
4. Kinder oder nicht geschulte Personen dürfen dieses Gerät weder verwenden noch warten. Lassen Sie nur Personen, die verantwortungsbewusst, geschult, mit den Anweisungen vertraut, und körperlich in der Lage sind, das Gerät zu bedienen und zu warten.
5. Lesen Sie vor der Verwendung der Maschine, des Akkupacks und Akkuladegeräts alle auf diesen Produkten angebrachten Anweisungen und Warnhinweise.
6. Machen Sie sich mit den Bedienelementen und der ordnungsgemäßen Verwendung der Maschine, des Akkupacks und des Akkuladegeräts vertraut.

### II. Vorbereitung

1. Halten Sie Unbeteiligte und Kinder vom Arbeitsbereich fern.
2. Die Maschine darf niemals von Kindern verwendet werden.
3. Bedienen Sie die Maschine niemals, wenn nicht alle Schutzvorrichtungen und

- Schutzabdeckungen angebracht und funktionstüchtig sind.
4. Prüfen Sie den Arbeitsbereich der Maschine und entfernen Sie alle Objekte die sich auf den Einsatz der Maschine auswirken oder von ihr aufgeschleudert werden könnten.
  5. Verwenden Sie nur den von Toro angegebenen Akkupack. Die Verwendung anderer Zubehörteile und Anbauteile kann die Verletzungs- und Brandgefahr erhöhen.
  6. Das Einstecken des Akkuladegeräts in eine Steckdose mit einer anderen Spannung als 100 bis 240 V, kann zu einem Brand oder Stromschlag führen. Schließen Sie das Akkuladegerät nicht an eine Steckdose mit einer anderen Spannung als 100 bis 240 V an.
  7. Verwenden Sie keine beschädigten oder modifizierten Akkupacks oder Akkuladegeräte, die ein unvorhersehbares Verhalten zeigen können, das zu Feuer, Explosion oder Verletzungsgefahr führt.
  8. Wenn das Stromkabel des Akkuladegeräts beschädigt ist, wenden Sie sich für Ersatz an einen autorisierten Vertragshändler.
  9. Laden Sie den Akkupack nur mit einem von Toro angegebenen Akkuladegerät. Ein Ladegerät, das für den einen Akkupacktyp geeignet ist, kann bei einem anderen Akkupack zu einer Brandgefahr führen.
  10. Laden Sie den Akkupack nur in einem gut belüfteten Bereich auf.
  11. Befolgen Sie alle Anweisungen zum Aufladen und laden Sie den Akkupack nicht außerhalb des in der Anweisung angegeben Temperaturbereichs. Andernfalls kann der Akkupack beschädigt werden und die Brandgefahr steigen.
  12. Geeignete Kleidung: Tragen Sie geeignete Kleidung, u. a. eine Schutzbrille, lange Hose, rutschfeste Arbeitsschuhe und einen Gehörschutz. Binden Sie langes Haar zusammen und tragen Sie keine lose Kleidung oder Schmuck, der in beweglichen Teilen hängen bleiben kann.
3. Wenn diese Maschine für einen anderen Zweck eingesetzt wird, kann das für Bediener und andere Personen gefährlich sein.
  4. Verhindern Sie unbeabsichtigtes Starten: Vergewissern Sie sich, dass der elektrische Schlüssel vom Schlüsselschalter entfernt ist, bevor Sie den Akkupack anschließen und die Maschine handhaben.
  5. Konzentrieren Sie sich immer bei der Verwendung der Maschine. Tun Sie nichts, was Sie ablenken könnte, sonst können Verletzungen oder Sachschäden auftreten.
  6. Kuppeln Sie alle Geräte aus und stellen die Schaltung auf Neutral, bevor Sie den Maschine starten.
  7. Halten Sie die Maschine an, entfernen Sie den elektrischen Schlüssel, nehmen Sie den Akku aus der Maschine und warten Sie, bis alle Bewegungen zum Stillstand gekommen sind, bevor Sie die Maschine einstellen, warten, reinigen oder aufbewahren.
  8. Entfernen Sie den Akkupack und den elektrischen Schlüssel von der Maschine, wenn Sie sie unbeaufsichtigt lassen oder bevor Sie Zubehörteile wechseln.
  9. Betreiben Sie die Maschine nicht gewaltsam: Lassen Sie die Maschine die Arbeit besser und sicherer mit der Geschwindigkeit ausführen, für die sie entwickelt wurde.
  10. Arbeiten Sie aufmerksam: Achten Sie darauf, was Sie tun, und lassen Sie Ihren gesunden Menschenverstand walten, wenn Sie das Gerät bedienen. Verwenden Sie die Maschine nicht, wenn Sie müde oder krank sind oder unter Alkohol- oder Drogeneinfluss stehen.
  11. Setzen Sie die Maschine nur bei guten Sichtverhältnissen und geeigneten Witterungsbedingungen ein.
  12. Seien Sie äußerst vorsichtig, wenn Sie rückwärts fahren oder die Maschine zu sich ziehen.
  13. Achten Sie jederzeit auf einen guten Stand und halten Sie das Gleichgewicht, insbesondere an Hanglagen. Gehen Sie beim Richtungswechsel an Hanglagen äußerst vorsichtig vor. Setzen Sie die Maschine nicht an steilen Hanglagen ein. Betreiben Sie die Maschine im Gehen, niemals schneller (rennen).
  14. Kuppeln Sie das Räumwerk aus, wenn Sie nicht gerade aktiv beim Schneeräumen sind.
  15. Werfen Sie das Schnittgut nicht gegen Personen aus. Vermeiden Sie, Material gegen eine Wand oder ein Hindernis auszuwerfen, da das Material auf Sie zurückprallen kann. Schalten

### III. Betrieb

1. Der Kontakt mit einem sich drehenden Rotor kann es zu schweren Verletzungen führen. Halten Sie Ihre Hände und Füße von allen beweglichen Teilen der Maschine fern. Kommen Sie Auswurföffnungen nicht zu nahe.
2. Bleiben Sie stets hinter den Holmen, wenn Sie die Schneefräse bedienen, und halten Sie sich von der Auswurföffnung fern.

- Sie die Maschine ab, wenn Sie Kiesoberflächen überqueren.
16. Gehen Sie auf oder beim Überqueren von Kieswegen, Bürgersteigen oder Straßen mit der Maschine besonders vorsichtig vor. Achten Sie auf versteckte Gefahren und auf den Verkehr.
  17. Stellen Sie die Maschine sofort ab, wenn sie auf einen Gegenstand aufprallt oder anfängt zu vibrieren, ziehen den elektrischen Schlüssel ab, entfernen Sie den Akkupack und warten Sie, bis alle beweglichen Teile zum Stillstand gekommen sind, bevor Sie die Maschine auf eventuelle Beschädigungen untersuchen. Führen Sie die erforderlichen Reparaturarbeiten aus, bevor Sie die Maschine erneut einsetzen.
  18. Stellen Sie die Maschine ab, wenn Sie die Bedienerposition aus irgendeinem Grund verlassen.
  19. Schalten Sie die Maschine ab und ziehen Sie den Schlüssel ab, bevor Sie Verstopfungen entfernen und verwenden Sie immer einen Stock oder ein Werkzeug, um Verstopfungen zu entfernen.
  20. Schalten Sie die Maschine ab und entfernen Sie den elektrischen Schlüssel, bevor Sie die Maschine für den Transport aufladen.
  21. Setzen Sie die Maschine auf rutschigen Oberflächen nie mit hoher Geschwindigkeit ein.
  22. Unter missbräuchlichen Bedingungen kann Flüssigkeit aus dem Akkupack austreten. Vermeiden Sie Kontakt. Wenn Sie die Flüssigkeit versehentlich berühren, mit Wasser spülen. Wenn die Flüssigkeit in Ihre Augen gelangt, suchen Sie einen Arzt auf. Vom Akkupack ausgestoßene Flüssigkeit kann zu Hautreizungen oder Verbrennungen führen.
  23. Setzen Sie den Akku oder das Werkzeug keinem Feuer oder übermäßigen Temperaturen aus. Das Aussetzen gegenüber Feuer oder Temperaturen über 130°C kann eine Explosion verursachen.
  24. **ACHTUNG:** Ein falsch behandelter Akku kann ein Brandrisiko darstellen, eine Explosion oder Verätzungen verursachen.
    - Demontieren Sie den Akku nicht.
    - Ersetzen Sie den Akku nur durch einen Original-Akku von Toro. Die Verwendung eines anderen Akkutyps kann zu einem Brand oder einer Verletzung führen.
    - Halten Sie Akkupacks von Kindern fern und bewahren sie in der Originalverpackung auf, bis Sie sie verwenden.
1. Schalten Sie die Maschine ab, entfernen Sie den elektrischen Schlüssel, nehmen Sie den/die Akku(s) aus der Maschine und warten Sie, bis alle Bewegungen zum Stillstand gekommen sind, bevor Sie die Maschine einstellen, warten, reinigen oder aufbewahren.
  2. Versuchen Sie nicht, das Gerät zu reparieren, es sei denn, dies ist in den Anweisungen angegeben. Lassen Sie einen autorisierten Vertragshändler oder Kundendienst den Service an der Maschine mit identischen Ersatzteilen durchführen.
  3. Tragen Sie beim Durchführen von Wartungsarbeiten Handschuhe und eine Schutzbrille.
  4. Achten Sie bei der Wartung des Rotors darauf, dass sich der Rotor auch dann noch bewegen kann, wenn die Stromquelle ausgeschaltet ist.
  5. Verwenden Sie für eine optimale Leistung nur Original Ersatzteile und Zubehör von Toro. Ersatzteile und Zubehör anderer Hersteller können gefährlich sein und eine Verwendung könnte die Garantie ungültig machen.
  6. Pflege der Maschine: Halten Sie die Griffe trocken, sauber und frei von Öl und Fett. Schutzvorrichtungen sollten montiert und funktionsfähig sein. Verwenden Sie nur original Ersatzteile.
  7. Prüfen Sie alle Befestigungen regelmäßig auf Festigkeit, damit die Maschine in sicherem Betriebszustand bleibt.
  8. Überprüfen Sie die Maschine auf beschädigte Teile. Prüfen Sie auf falsch ausgerichtete und festgefressene bewegliche Teile, gebrochene Teile, fehlerhafte Montage und alle anderen Bedingungen, die den Betrieb beeinträchtigen können. Sofern in den Anweisungen nicht anders angegeben, lassen Sie eine beschädigte Schutzvorrichtung oder ein beschädigtes Teil von einem autorisierten Vertragshändler oder Kundendienst reparieren oder ersetzen.
  9. Halten Sie ein nicht verwendetes Akkupack von Metallobjekten fern, u. a. Briefklammern, Münzen, Schlüssel, Nägel, Schrauben, die eine Verbindung von einem Pol zu einem anderen herstellen können. Ein Kurzschließen der Akkupole kann zu Verbrennungen oder einem Brand führen.
  10. Wenn Sie die Maschine nicht benutzen, bewahren Sie es an einem trockenen, sicheren Ort außerhalb der Reichweite von Kindern auf.
  11. Wenn Sie die Maschine länger als 30 Tage einlagern, finden Sie wichtige Informationen in [Einlagerung \(Seite 29\)](#).

#### IV. Wartung und Lagerung

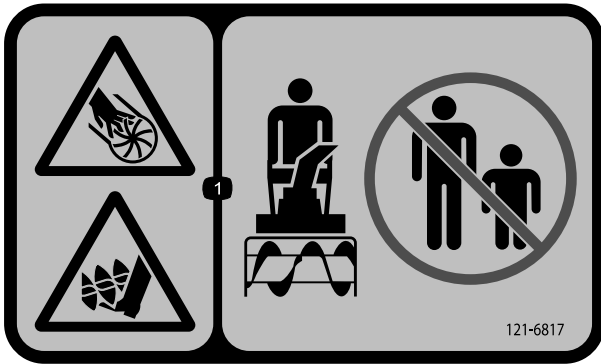
12. ACHTUNG: ein falsch gehandhabtes Akkupack kann ein Brandrisiko darstellen oder Verätzungen verursachen. Demontieren Sie den Akkupack nicht. Erwärmen Sie den Akkupack nicht über 68 °C und verbrennen Sie ihn nicht. Ersetzen Sie den Akkupack nur durch ein Original-Akkupack von Toro. Die Verwendung eines anderen Akkupacktyps kann zu einem Brand oder einer Explosion führen. Halten Sie Akkupacks von Kindern fern und bewahren sie in der Originalverpackung auf, bis Sie sie verwenden.
13. Entsorgen Sie den Akku nicht durch Verbrennen. Die Zellen können explodieren. Prüfen Sie vor Ort geltende Gesetze in Bezug auf mögliche spezielle Anweisungen zur Entsorgung.

**BEWAHREN SIE DIESE  
SICHERHEITSANWEISUN-  
GEN AUF**

# Sicherheits- und Bedienungsschilder



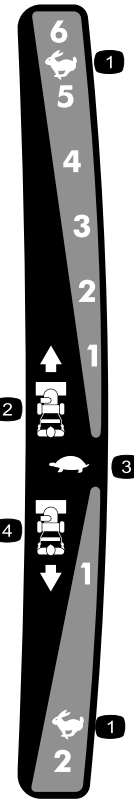
Die Sicherheits- und Anweisungsaufkleber sind gut sichtbar; sie befinden sich in der Nähe der möglichen Gefahrenbereiche. Tauschen Sie beschädigte oder verloren gegangene Aufkleber aus.



**121-6817**

decal121-6817

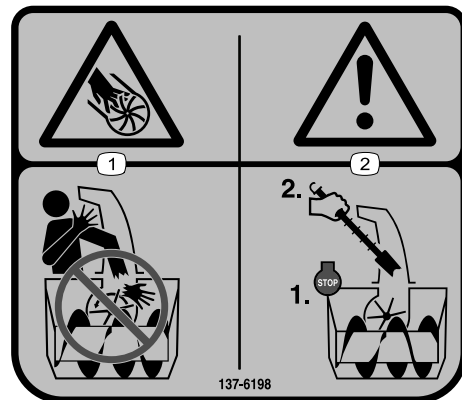
1. Schnitt-/Amputationsgefahr von Hand oder Fuß am Gebläserad und Räumwerk: Halten Sie umstehende Personen fern.



**121-6823**

decal121-6823

1. Schnell
2. Vorwärtsgeschwindigkeiten
3. Langsam
4. Rückwärtsgeschwindigkeiten



**137-6198**

decal137-6198

1. Schnitt-/Amputationsgefahr der Finger oder Hände am Gebläserad: Stecken Sie Ihre Hand nicht in den Auswurfkanal.
2. Warnung: Stellen Sie den Motor ab, bevor Sie Verstopfungen mit dem Werkzeug aus dem Auswurfkanal entfernen.



decal121-1240

### 121-1240

1. Fahrtrieb: Drücken Sie den Hebel, um einzukuppeln. Lassen Sie den Hebel los, um auszukuppeln.
2. Warnung: Lesen Sie die *Bedienungsanleitung*.
3. Verletzungs- bzw. Amputationsgefahr der Hand am Gebläserad: Stecken Sie Ihre Hände nicht in den Auswurfkanal. Stellen Sie den Motor ab, bevor Sie die Bedienerposition verlassen, und wenden Sie das Werkzeug, um Verstopfungen aus dem Auswurfkanal zu entfernen.
4. Schnitt- bzw. Amputationsgefahr der Hand am Gebläserad: Berühren Sie keine beweglichen Teile; lassen Sie alle Schutzvorrichtungen und Schutzbleche montiert; ziehen Sie den Schlüssel ab und lesen Sie die *Bedienungsanleitung*, bevor Sie Wartungsarbeiten durchführen.
5. Gefahr durch herausgeschleuderte Objekte: Unbeteiligte müssen einen Abstand zur Maschine halten.
6. Räumwerk- bzw. Gebläseradantrieb: Drücken Sie den Hebel, um einzukuppeln. Lassen Sie den Hebel los, um auszukuppeln.



decal144-6028

### 144-6028

1. Bitte nur sachgerecht entsorgen
2. Lesen Sie die *Bedienungsanleitung*.
3. Für den Gebrauch im Innenbereich
4. Doppelt isoliert



decal137-9496

### 137-9496

1. Der Akkupack lädt.
2. Der Akkupack ist vollständig aufgeladen.
3. Der Akkupack ist nicht im geeigneten Temperaturbereich.
4. Akkupack Ladefehler

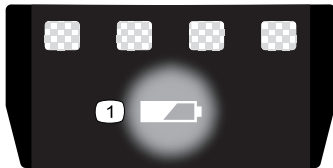




decal140-8492

### 140-8492

1. Von offenem Feuer oder Flammen fernhalten.
2. Nicht Regen aussetzen.
3. Lesen Sie die *Bedienungsanleitung*.
4. Recyceln Sie die Akkus ordnungsgemäß.
5. Enthält Lithium-Ionen, nicht unsachgemäß entsorgen.



decal137-9461

### 137-9461

1. Akkuladestatus

# Einrichtung

**Wichtig:** Der Akkupack ist beim Kauf nicht vollständig aufgeladen. Bevor Sie die Maschine zum ersten Mal benutzen, lesen Sie bitte [Aufladen des Akkupacks \(Seite 19\)](#).

**1**

## Befestigung des Batterieladegeräts (optional)

Für diesen Arbeitsschritt erforderliche Teile:

2	Befestigungsmaterial (nicht enthalten)
---	--

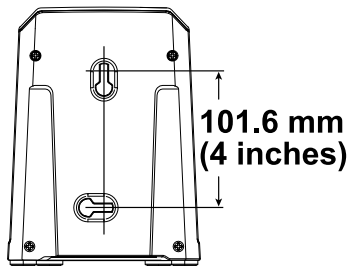
## Verfahren

Sie können bei Bedarf das Ladegerät mit den Aussparungen zur Wandmontage auf der Rückseite des Ladegeräts an der Wand befestigen.

Befestigen Sie es im Innenbereich (wie z. B. in einer Garage oder an einem anderen trockenen Ort) in der Nähe einer Steckdose und außerhalb der Reichweite von Kindern.

In [Bild 3](#) finden Sie Hinweise zum Befestigen des Ladegeräts.

Schieben Sie das Ladegerät über die richtig angebrachten Befestigungen, um das Ladegerät zu befestigen (Befestigungen liegen nicht bei).



**Bild 3**

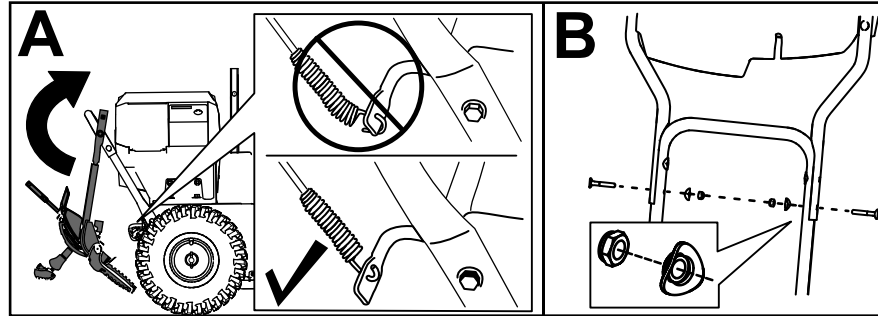
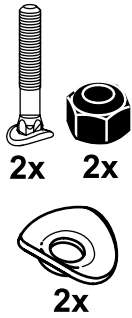
g290534

# 2

## Einbauen des oberen Holms

Keine Teile werden benötigt

### Verfahren



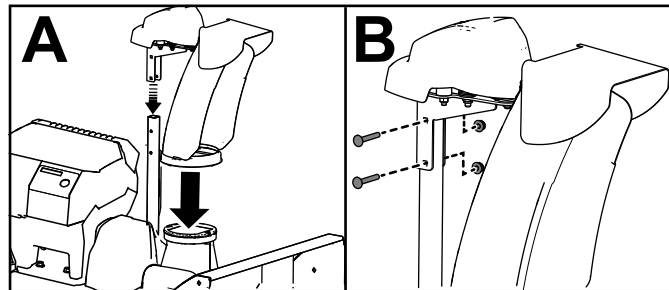
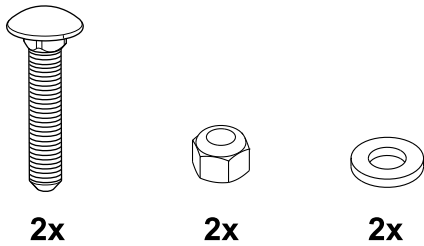
g344090

# 3

## Einbauen des Auswurfkanals

Keine Teile werden benötigt

### Verfahren



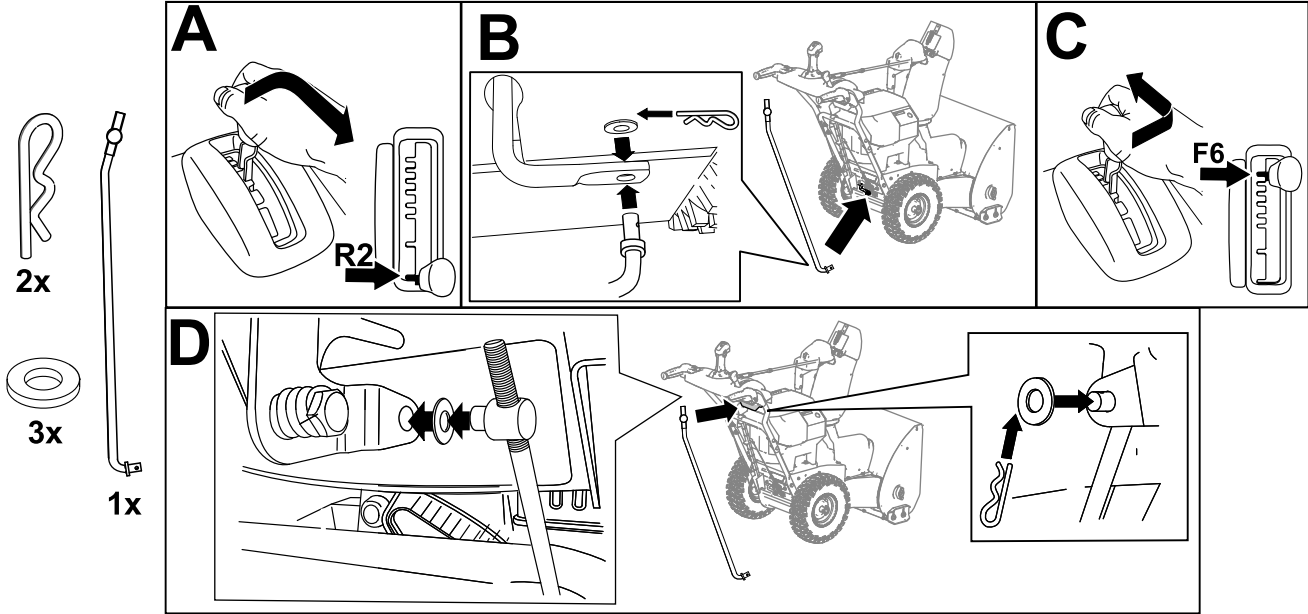
g344087

# 4

## Einbauen des Fahrtriebsgestänges

Keine Teile werden benötigt

### Verfahren



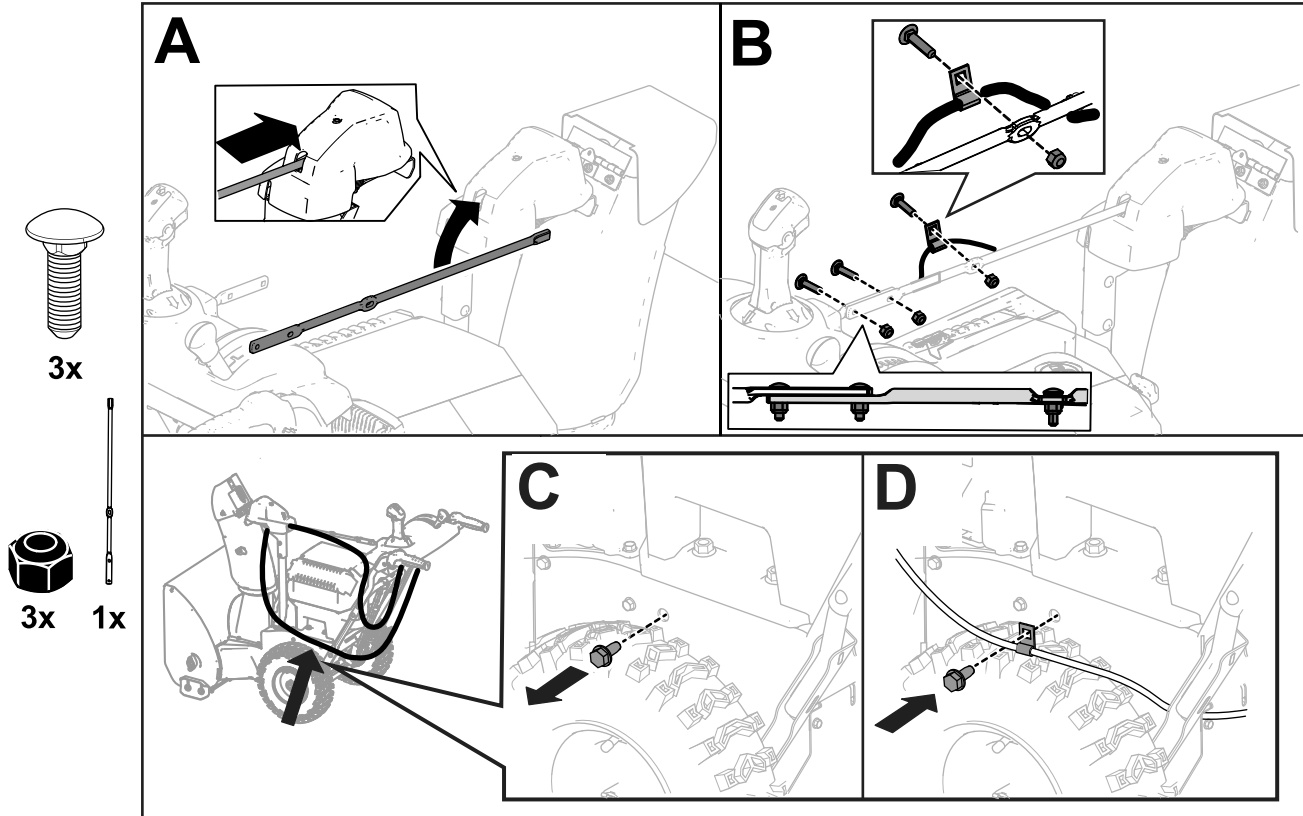
g344089

# 5

## Einbauen der Schaltstange für den Auswurfkanal

Keine Teile werden benötigt

### Verfahren



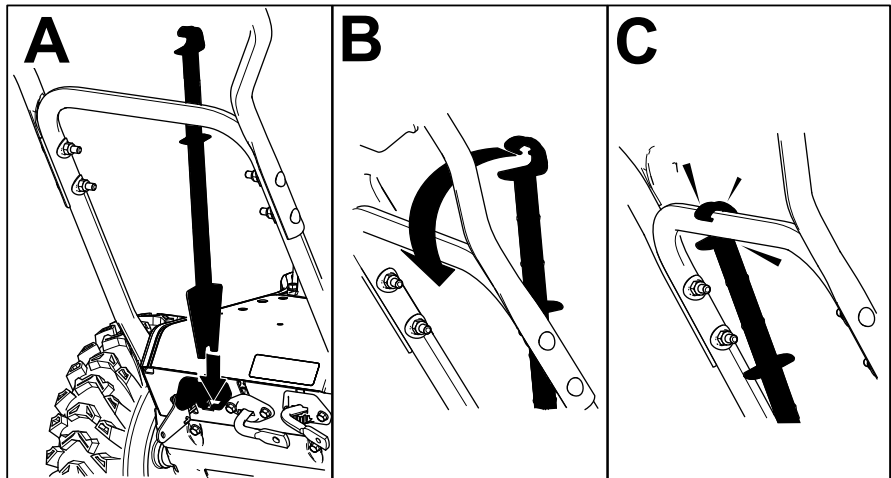
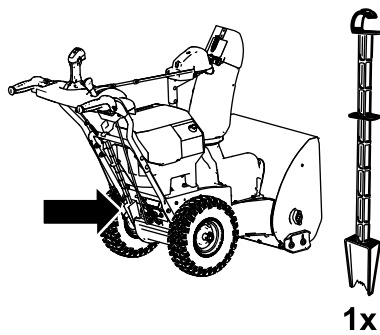
g344086

# 6

## Montieren des Werkzeugs zum Entfernen von Schneeverstopfungen

Keine Teile werden benötigt

### Verfahren



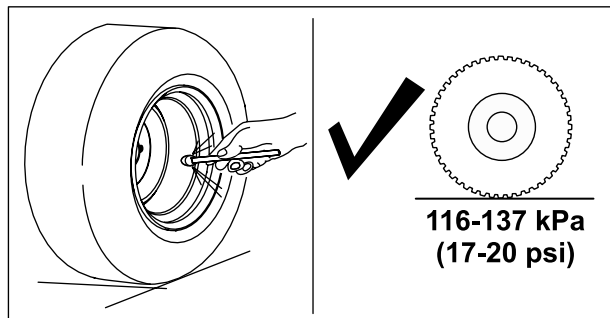
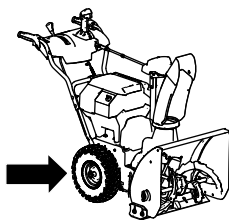
g344088

# 7

## Prüfen des Reifendrucks

Keine Teile werden benötigt

### Verfahren



g344084

# 8

## Prüfen der Kufen und des Abstreifers

Keine Teile werden benötigt

### Verfahren

Siehe [Prüfen und Einstellen der Kufen und der Schürfleiste \(Seite 25\)](#).

# 9

## Überprüfen der Funktion des Fahrtriebs

Keine Teile werden benötigt

### Verfahren

#### ⚠ ACHTUNG

Wenn der Fahrtrieb nicht richtig eingestellt ist, bewegt sich die Schneefräse möglicherweise nicht in die gewünschte Richtung und kann Körperverletzungen verursachen oder Eigentum beschädigen.

Prüfen Sie den Fahrtrieb sorgfältig und stellen Sie in ggf. richtig ein.

1. Lassen Sie den Maschine an, siehe [Anlassen der Maschine \(Seite 18\)](#).
2. Stellen Sie den Geschwindigkeitsschalthebel in die R1-Stellung, siehe [Verwenden des Geschwindigkeitsschalthebels \(Seite 20\)](#).
3. Drücken Sie den linken Hebel (Fahrtrieb) zum Handgriff ([Bild 10](#)).

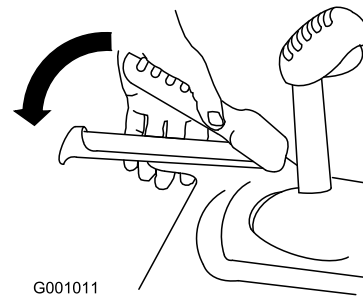


Bild 10

g001011

Die Maschine sollte sich rückwärts bewegen. Wenn sich die Maschine nicht oder nach vorne bewegt, führen Sie folgende Schritte aus:

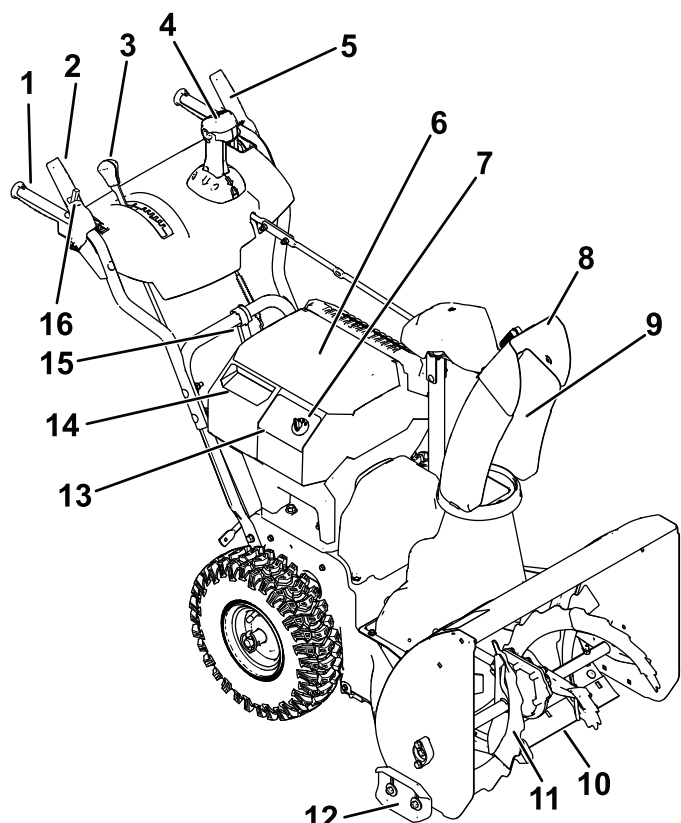
- A. Lassen Sie den Fahrtriebshebel los und stellen Sie die Maschine ab, siehe [Abstellen der Maschine \(Seite 24\)](#).
  - B. Schließen Sie den Drehzapfen vom Geschwindigkeitsschalthebel ab.
  - C. Drehen Sie den Drehzapfen an der Geschwindigkeitsschaltstange nach unten (nach rechts).
  - D. Schließen Sie den Drehzapfen am Geschwindigkeitsschalthebel an.
4. Lassen Sie den Fahrtriebshebel los.
  5. Stellen Sie den Geschwindigkeitsschalthebel in die 1-Stellung, siehe [Verwenden des Geschwindigkeitsschalthebels \(Seite 20\)](#).
  6. Drücken Sie den linken Hebel (Fahrtrieb) zum Handgriff ([Bild 10](#)).

Die Maschine sollte sich vorwärts bewegen. Wenn sich die Maschine nicht oder rückwärts bewegt, führen Sie folgende Schritte aus:

- A. Lassen Sie den Fahrtriebshebel los und stellen Sie die Maschine ab.
  - B. Schließen Sie den Drehzapfen vom Geschwindigkeitsschalthebel ab.
  - C. Drehen Sie den Drehzapfen an der Geschwindigkeitsschaltstange nach oben (nach links).
  - D. Schließen Sie den Drehzapfen am Geschwindigkeitsschalthebel an.
7. Wenn Sie Einstellungen gemacht haben, wiederholen Sie die Schritte, bis keine weiteren Einstellungen erforderlich sind.

**Wichtig:** Wenn sich die Maschine bei gelöstem Fahrtriebshebel bewegt, prüfen Sie den Bowdenzug, siehe [Prüfen und Einstellen des Bowdenzugs \(Seite 26\)](#), oder lassen Sie die Maschine von einem offiziellen Vertragshändler warten.

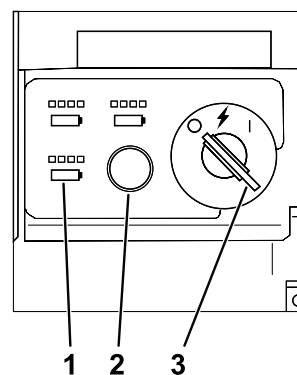
# Produktübersicht



**Bild 11**

g411293

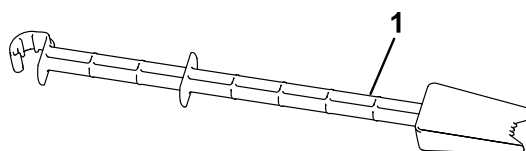
1. Handgriff
2. Hebel für Räumwerk bzw. Gebläserad
3. Geschwindigkeitsschalthebel
4. Quick Stick® Auswurfkanalhebel
5. Fahrtriebshebel
6. Deckel des Hauptakkufachs
7. Elektrischer Startschlüssel
8. Auswurfkanalablenkblech
9. Auswurfkanal
10. Abstreifer
11. Räumwerk
12. Kufe (2)
13. Bedienfeld
14. Deckel des Sekundärakkufachs
15. Schneereinigungswerkzeug
16. Sperrschalter



**Bild 12**

g347780

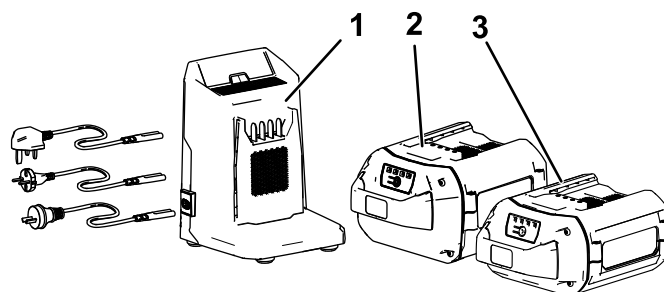
1. Akkuladeanzeige
2. ECO-Taste
3. Schlüsselschalter in AUS-Stellung



**Bild 13**

g344092

1. Schneeräumwerkzeug (am Holm befestigt)



**Bild 14**

g342171

1. Akkuladegerätmodell 81805 (mit Modell 31875 mitgeliefert)
2. Akkupackmodell 81875 (mit Modell 31875 mitgeliefert)
3. Akkupack Modell 81825 (nicht im Lieferumfang enthalten)



# Technische Daten

Modell	Gewicht	Länge	Breite	Höhe
31875	64 kg (141 lb)	142 cm	71 cm	117 cm

## Akkupack

Modell	81875
Akkupackleistung	7,5 Ah
	405 Wh
Akkuherstellerangabe = Max. 60 V und 54 V nominal. Tatsächliche Spannung hängt von der Last ab.	

## Akkuladegerät

Modell	81805
Typ	60 Volt MAX Lithium-Ionen-Akkuschnellladegerät
Eingabe	100 bis 240 V AC 50/60 Hz Max 5,0A
Ausgabe	60 V MAX DC 5,5A

## Geeignete Temperaturbereiche

Laden/Lagern Sie den Akkupack bei	5 °C bis 40 °C*
Verwenden Sie den Akkupack bei	-30 °C bis 49 °C*
Verwenden Sie das Gerät bei	-30 °C bis 49 °C*

\*Die Ladezeit wird verlängert, wenn Sie den Akku nicht in diesem Bereich aufladen.

Lagern Sie das Gerät, den Akkupack und das Akkuladegerät an einem sauberen und trockenen Ort.

## Anbaugeräte, Zubehör

Ein Sortiment an von Toro zugelassenen Anbaugeräten und Zubehör wird für diese Maschine angeboten, um den Funktionsumfang des Geräts zu erhöhen und zu erweitern. Eine Liste der zugelassenen Anbaugeräte und Zubehöerteile erhalten Sie bei Ihrem offiziellen Toro-Vertragshändler oder finden Sie unter [www.Toro.com](http://www.Toro.com).

Verwenden Sie nur Originalersatzteile und -zubehöerteile von Toro, um die optimale Leistung und Sicherheit zu gewährleisten. Verwenden Sie nie Ersatzteile und Zubehör anderer Hersteller; diese könnten sich eventuell als gefährlich erweisen.

# Betrieb

**Hinweis:** Bestimmen Sie die linke und rechte Seite der Maschine anhand der üblichen Einsatzposition.

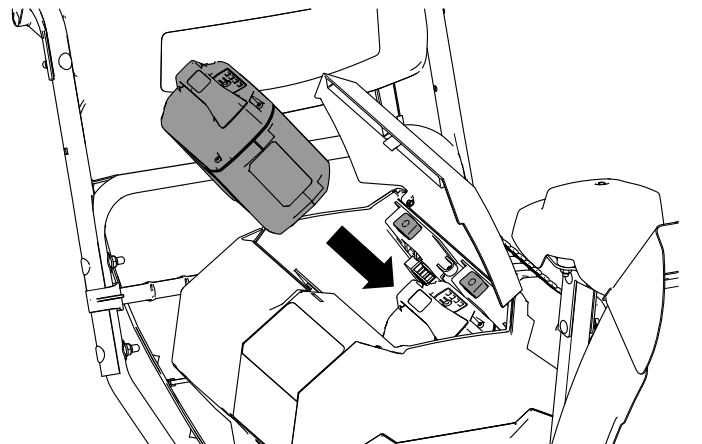
## Vor dem Einsatz

### Einsetzen des Akkupacks

1. Stellen Sie sicher, dass sich in den Belüftungsöffnungen des Akkupacks kein Staub oder Schmutz befindet.
2. Öffnen Sie den Akkufachdeckel.
3. Richten Sie die Einbuchtung im Akkupack mit dem Zapfen an der Maschine aus und schieben Sie das Akkupack in das Akkufach, bis es einrastet (**Bild 9**).
4. Schließen Sie den Akkufachdeckel.
5. Wiederholen Sie den Vorgang für die anderen beiden Akkufächer (falls erforderlich).

**Hinweis:** Die Summe der Amperestunden aller eingesetzten Akkus muss 6,0 betragen, sonst kann die Maschine nicht starten.

**Hinweis:** Wenn sich der Akkufachdeckel nicht vollständig schließt, ist der Akkupack nicht vollständig eingesetzt.



**Bild 15**

g348180

# Prüfen des Ladezustands

Sie können den genauen Ladezustand jedes eingesetzten Akkus anzeigen; drehen Sie den Schlüssel auf die ZUBEHÖR-Stellung (Bild 16). Die Position jeder Akkuleuchte entspricht dem zugehörigen Akkufach. Wenn der Ladezustand des Akkus zu niedrig ist und aufgeladen werden muss oder wenn sich kein Akku im entsprechenden Akkufach befindet, leuchtet die Akkuanzeige nicht auf.

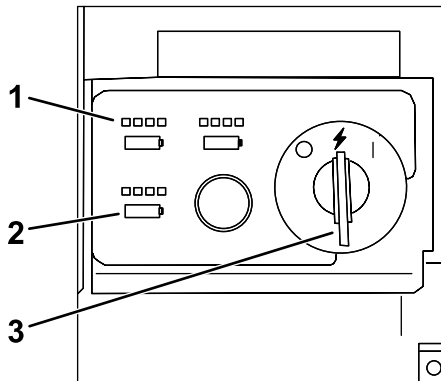


Bild 16

g348182

1. Ladezustandsleuchten
2. Akku-Präsenzleuchten
3. Schlüsselschalter in der ZUBEHÖR-Stellung

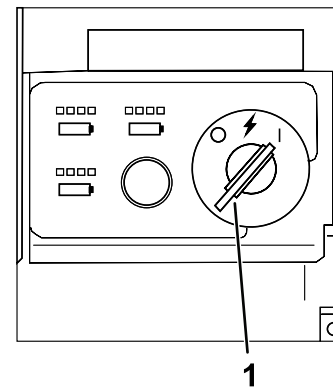


Bild 17

g347864

1. Schlüsselschalter in EIN-Stellung.

**Hinweis:** Ist die Maschine eingeschaltet und wird über einen längeren Zeitraum im Leerlauf oder ohne eingekuppeltes Räumwerk betrieben, wird die Motorabschaltautomatik aktiviert und die Maschine ausgeschaltet. Wird die Maschine auf diese Weise ausschaltet, ertönt ein Signalton, um mitzuteilen, dass die Zeitüberschreitung aktiviert wurde.

## Während des Einsatzes

### Anlassen der Maschine

**Hinweis:** Verwenden Sie den Akkupack nur bei Temperaturen im angemessenen Bereich, siehe Technische Daten (Seite 17).

1. Vergewissern Sie sich, dass der/die Akkupack(s) in der Maschine eingesetzt ist/sind; siehe Einsetzen des Akkupacks (Seite 17).
2. Stecken Sie den elektrischen Startschlüssel in das Bedienfeld..
3. Drehen Sie den Schlüssel in die ACCESSORY-Stellung.
4. Drehen Sie den Schlüssel in die RUN-Stellung, um die Maschine zu starten (Bild 17).

**Hinweis:** Wenn der Schlüssel zu schnell von der OFF-Stellung in die ON-Stellung gedreht wird, startet die Maschine möglicherweise nicht. Achten Sie darauf, dass Sie den Schlüssel kurz in der mittleren ACCESSORY-Stellung stehen lassen.

## Aktivieren des ECO-Modus

Die Verwendung des ECO-Modus kann die Akkulebensdauer durch Verringerung der Rotordrehzahl verlängern. Verwenden Sie den ECO-Modus immer dann, wenn Sie nur geringe Schneehöhen räumen oder den Schnee nur über eine kurze Strecke räumen. Aktivieren Sie den ECO-Modus mit dem ECO-Taste, wie in Bild 18 dargestellt.

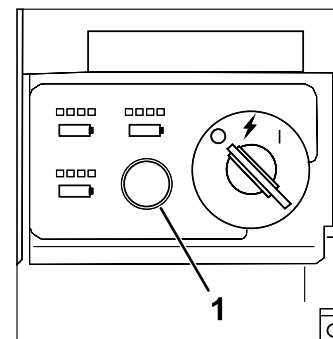


Bild 18

g347866

1. ECO-Modus-Taste

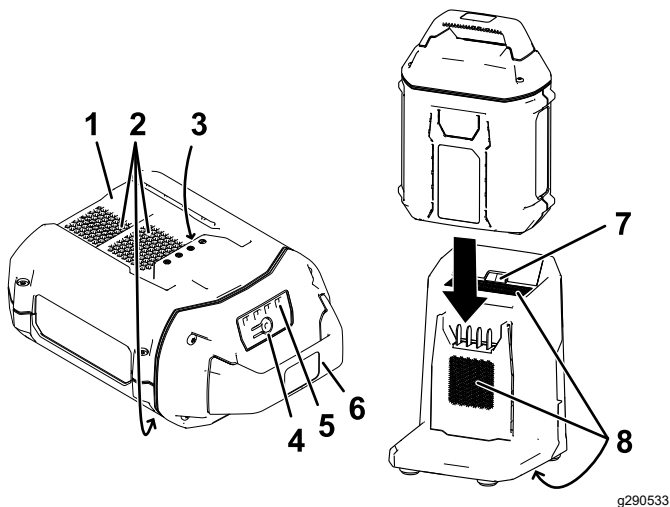
# Aufladen des Akkupacks

**Wichtig:** Der Akkupack ist beim Kauf nicht vollständig aufgeladen. Bevor Sie die Maschine zum ersten Mal verwenden, setzen Sie den Akkupack in das Ladegerät ein und laden es auf, bis die LED-Anzeige angibt, dass der Akkupack ganz aufgeladen ist. Lesen Sie alle Sicherheitsanweisungen.

**Wichtig:** Laden Sie den Akkupack nur bei Temperaturen im angemessenen Bereich, siehe [Technische Daten \(Seite 17\)](#).

**Hinweis:** Drücken Sie bei Bedarf die Taste für die Akkuladeanzeige auf dem Akkupack, um den aktuellen Ladestand anzuzeigen (LED-Anzeigen).

1. Stellen Sie sicher, dass sich in den Belüftungsöffnungen am Akkuladegerät kein Staub oder Schmutz befindet.



**Bild 19**

- |                                 |  |
|---------------------------------|--|
| 1. Einbuchtung am Akkupack      | 5. LED-Anzeigeleuchten (aktueller Ladezustand) |
| 2. Akkupack-Entlüftungsbereiche | 6. Hebelgriff                                  |
| 3. Akkupack-Anschlusskontakte   | 7. LED-Anzeigeleuchte Ladegerät                |
| 4. Taste für Akkuladeanzeige    | 8. Entlüftungsbereiche am Ladegerät            |

2. Fluchten Sie die Einbuchtung im Akkupack ([Bild 19](#)) mit der Aufnahme am Ladegerät aus.
3. Schieben Sie den Akkupack in das Ladegerät, bis es einrastet ([Bild 19](#)).

4. Schieben Sie zum Herausnehmen des Akkupacks den Akkupack nach hinten aus dem Ladegerät.
5. In der folgenden Tabelle finden Sie eine Beschreibung der LED-Anzeigeleuchten auf dem Akkuladegerät.

Anzeige-lampe	Bedeutung
Aus	Kein Akkupack eingeföhrt
Grün blinkend	Akkupack wird aufgeladen
Grün	Akkupack ist aufgeladen
Rot	Der Akkupack und/oder Akkuladegerät ist nicht im geeigneten Temperaturbereich.
Rot blinkend	Akkupack Ladefehler*

\* Weitere Informationen finden Sie unter [Fehlersuche und -behebung \(Seite 31\)](#).

**Wichtig:** Der Akku kann zwischen den Einsätzen für kurze Zeiträume auf dem Ladegerät belassen werden.

Wenn der Akku für längere Zeit nicht benutzt wird, nehmen Sie ihn aus dem Ladegerät; siehe [Einlagerung \(Seite 29\)](#).

# Einsetzen des Fahrantriebs

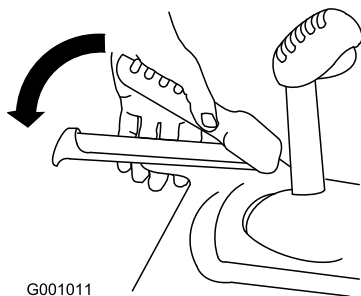
## ⚠ ACHTUNG

Wenn der Fahrtrieb nicht richtig eingestellt ist, bewegt sich die Schneefräse möglicherweise nicht in die gewünschte Richtung und kann Körperverletzungen verursachen oder Eigentum beschädigen.

Prüfen Sie den Fahrtrieb sorgfältig und stellen Sie ihn ggf. richtig ein, siehe [Prüfen und Einstellen des Bowdenzugs \(Seite 26\)](#) für weitere Informationen.

**Wichtig:** Wenn sich die Maschine bei gelöstem Fahrtriebshebel bewegt, prüfen Sie den Bowdenzug, siehe [Prüfen und Einstellen des Bowdenzugs \(Seite 26\)](#), oder lassen Sie die Maschine von einem offiziellen Vertragshändler warten.

1. Drücken Sie zum Einkuppeln des Fahrtriebs den linken Hebel (Fahrtrieb) zum Handgriff ([Bild 20](#)).



G001011

Bild 20

g001011

2. Lassen Sie den Fahrtriebshebel zum Auskuppeln los.

## Verwenden des Geschwindigkeitsschalthebels

Der Geschwindigkeitsschalthebel hat sechs Vorwärts- und zwei Rückwärtsgänge. Lösen Sie zum Ändern der Geschwindigkeit den Fahrtriebshebel und schieben Sie den Geschwindigkeitsschalthebel in die gewünschte Stellung ([Bild 21](#)). Der Hebel rastet in jedem Gang in einer Kerbe ein.

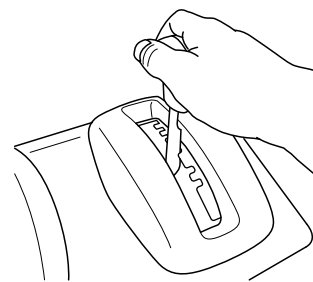


Bild 21

g322971

## Verwenden des Räumwerk- bzw. Gebläseradantriebs

1. Um den Räumwerk-/Gebläseradantrieb wieder zu aktivieren, schieben Sie den Sperrschalter am Hebel zurück und drücken Sie den rechten Hebel (Räumwerk/Gebläserad) bis zum Handgriff ([Bild 22](#)).

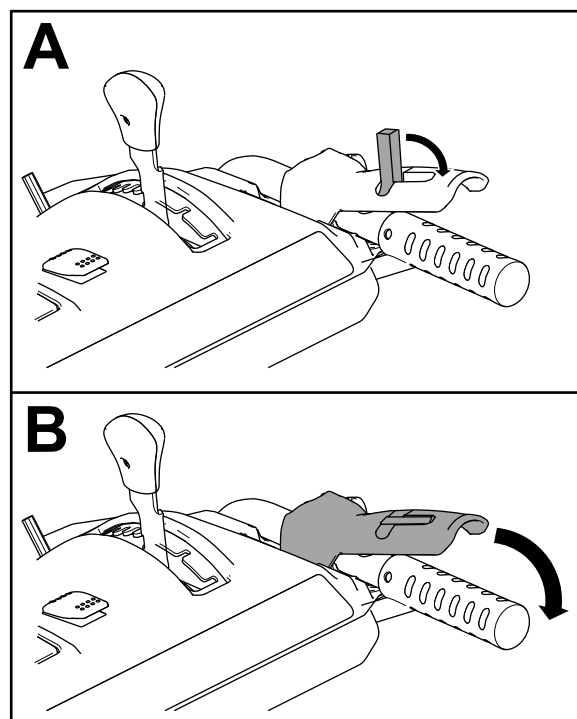


Bild 22

g360687

2. Lassen Sie den rechten Hebel los, um das Räumwerk bzw. das Gebläserad anzuhalten.

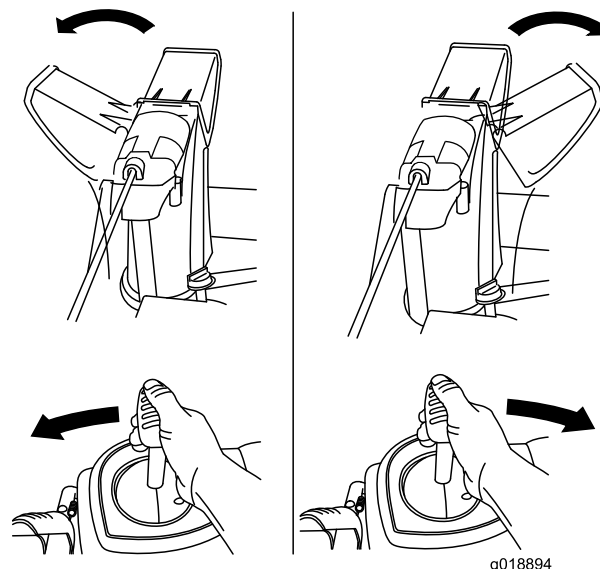
**Wichtig:** Wenn Sie den Räumwerk- bzw. Gebläseradhebel und den Fahrtrieb einkuppeln, arretiert der Fahrtriebshebel des Räumwerks bzw. Gebläseradhebels, sodass ihre rechte Hand frei ist. Lassen Sie einfach den linken Hebel (Fahrtrieb) los, um beide Hebel zu lösen.

3. Wenn sich das Räumwerk bzw. das Gebläserad weiterhin dreht, wenn Sie den Räumwerk- bzw. Gebläseradhebel loslassen, sollten Sie die Maschine nicht einsetzen. Prüfen Sie das Räumwerk- bzw. Gebläseradkabel, siehe [Prüfen und Einstellen des Räumwerk- bzw. Gebläseradkabels \(Seite 27\)](#), und stellen Sie es bei Bedarf ein. Lassen Sie die Maschine sonst von einem offiziellen Vertragshändler warten.

**⚠️ WARNUNG:**

Wenn sich das Räumwerk bzw. das Gebläserad weiterhin dreht, wenn Sie den Räumwerk- bzw. Gebläseradhebel loslassen, könnten Sie und Unbeteiligte schwere Verletzungen erleiden.

Setzen Sie die Schneefräse nicht ein. Lassen Sie die Schneefräse von einem offiziellen Vertragshändler warten.



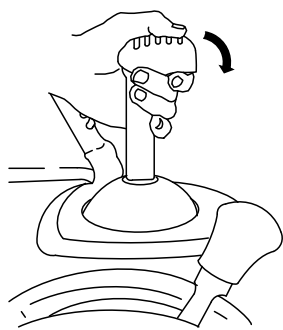
g018894

g018894

**Bild 24**

## Verwenden des Quick Stick®

Halten Sie die blaue Auslöserkappe gedrückt, um den Quick Stick zu verwenden und den Auswurfkanal und das Auswurfablenkblech zu bewegen. Lassen Sie die Auslöserkappe los, um den Auswurfkanal und das Auswurfablenkblech in der Stellung zu arretieren ([Bild 23](#)).



G001014

g001014

**Bild 23**

## Bewegen des Auswurfkanals

Drücken Sie die blaue Auslöserkappe und halten Sie diese gedrückt. Verschieben Sie den Quick Stick nach links, um den Auswurfkanal nach links zu bewegen. Verschieben Sie den Quick Stick nach rechts, um den Auswurfkanal nach rechts zu bewegen ([Bild 24](#)).

- Wenn sich der Auswurfkanal nach links nicht so weit bewegen lässt wie nach rechts, stellen Sie sicher, dass das Kabel zur Innenseite der Holme verlegt ist. Siehe [2 Einbauen des oberen Holms \(Seite 10\)](#).
- Wenn sich der Auswurfkanal nicht bewegt oder nicht einrastet, wenn Sie die Abzugskappe loslassen, müssen Sie den Verriegelungszug des Auswurfkanals einstellen.

## Bewegen des Auswurfkanalablenkblechs

Drücken Sie die blaue Auslöserkappe und halten Sie diese gedrückt. Bewegen Sie den Quick Stick nach vorne, um das Auswurfkanalablenkblech abzusenken. Bewegen Sie den Quick Stick nach hinten, um das Auswurfkanalablenkblech anzuheben ([Bild 25](#)).



G001016

g001016

**Bild 25**

# Entfernen von Verstopfungen vom Auswurfkanal

## ⚠️ WARNUNG:

Wenn sich das Räumwerk bzw. Gebläserad dreht, jedoch kein Schnee aus dem Auswurfkanal ausgeworfen wird, ist der Auswurfkanal ggf. verstopft.

Entfernen Sie nie Verstopfungen vom Auswurfkanal mit der Hand. Dies kann zu Körperverletzungen führen.

- Wenn Sie Verstopfungen aus dem Auswurfkanal entfernen möchten, bleiben Sie in der Bedienposition und lösen Sie den linken Hebel (Fahrantrieb). Drücken Sie bei laufendem Räumwerk bzw. Gebläserad die Holme nach unten, um die Vorderseite der Maschine ein paar Zentimeter vom Bürgersteig anzuheben. Heben Sie die Holme dann schnell an, um die Vorderseite der Schneefräse auf den Bürgersteig zu manövrieren. Wiederholen Sie dies ggf., bis ein Schneestrom aus dem Auswurfkanal kommt.
- Wenn Sie die Verstopfungen im Auswurfkanal nicht durch Rütteln der Vorderseite der Maschine entfernen können, **stellen Sie die Maschine ab, warten Sie, bis alle beweglichen Teile zum Stillstand gekommen sind, und entfernen Sie die Verstopfungen mit dem Schneereinigungswerkzeug (Bild 13).**

**Wichtig:** Wenn Sie versuchen, Verstopfungen aus dem Auswurfkanal zu entfernen, indem Sie die Vorderseite der Schneefräse auf dem Bürgersteig aufstoßen, können sich die Kufen ggf. bewegen. Stellen Sie die Kufen ein und ziehen Sie die Kufenschrauben fest; siehe [Prüfen und Einstellen der Kufen und der Schürfleiste \(Seite 25\)](#).

# Betriebshinweise

## ⚠️ GEFAHR

Wenn die Maschine in Betrieb ist, drehen sich das Gebläserad und das Räumwerk. Dadurch kann es zu einer schweren Verletzung oder Abtrennung von Händen oder Füßen kommen.

- Stellen Sie vor der Durchführung von Einstell-, Reinigungs-, Prüf-, Problembehebungs- oder Reparaturarbeiten an der Maschine die Maschine ab und warten Sie, bis alle beweglichen Teile zum Stillstand gekommen sind. Ziehen Sie den Schlüssel ab und entfernen Sie den Akku aus der Maschine, um ein unbeabsichtigtes Starten der Maschine zu vermeiden.
- Entfernen Sie sämtliche Verstopfungen aus dem Auswurfkanal, siehe [Entfernen von Verstopfungen vom Auswurfkanal \(Seite 22\)](#). Verwenden Sie das Werkzeug zum Entfernen von Schneeverstopfungen ([Bild 13](#)) und nicht Ihre Hände, um Verstopfungen im Auswurfkanal zu entfernen.
- Bleiben Sie stets hinter den Holmen, wenn Sie die Schneefräse bedienen, und halten Sie sich von der Auswurföffnung fern.
- Halten Sie Gesicht, Hände, Füße und andere Körperteile oder Kleidungsstücke von verborgenen, sich bewegenden oder sich drehenden Teilen fern.

## ⚠️ WARNUNG:

Das Gebläserad kann Steine, Spielzeug und andere Fremdkörper herausschleudern und zu schweren Verletzungen des Bedieners oder Unbeteiligter führen.

- Entfernen Sie alle Objekte aus dem Arbeitsbereich, die vom Räumwerk aufgenommen und herausgeschleudert werden könnten.
- Halten Sie Kinder und Haustiere aus dem Arbeitsbereich fern.

Um optimale Ergebnisse zu erzielen, sollten Sie Folgendes beachten:

- Wenn sich die Maschine unter der Belastung verlangsamt, oder wenn die Räder durchdrehen, legen Sie einen niedrigeren Gang ein, siehe

## Verwenden des Geschwindigkeitsschalthebels (Seite 20).

- Wenn sich die Schneefräse vorne anhebt, legen Sie einen niedrigeren Gang ein. Wenn sich die Vorderseite der Schneefräse weiterhin anhebt, heben Sie die Holme an.
- Beginnen Sie nach Schneefällen so bald wie möglich mit der Räumung.
- Schieben Sie die Maschine vorwärts, aber lassen Sie sie in ihrem eigenen Tempo arbeiten.
- Lassen Sie die Räumgänge überlappen, um eine vollständige Schneeräumung zu gewährleisten.
- Stoßen Sie den Schnee wenn möglich in Windrichtung aus.

# Nach dem Einsatz

## Abstellen der Maschine

1. Lassen Sie die Fahr- und Räumwerk-/Gebläseradhebel los.
2. Stellen Sie den Schlüssel in die Aus-Stellung und ziehen Sie ihn vom Bedienfeld ab (Bild 12).
3. Entfernen Sie den/die Akkupack(s), siehe [Akkupack aus der Maschine entfernen.](#) (Seite 24).

**Hinweis:** Entfernen Sie den/die Akkupacks(s) und den Schlüssel aus der Maschine, wenn Sie die Maschine nicht benutzen.

**Hinweis:** Ist die Maschine eingeschaltet und wird über einen längeren Zeitraum im Leerlauf oder ohne eingekuppeltes Räumwerk betrieben, wird die Motorabschaltautomatik aktiviert und die Maschine ausgeschaltet. Wird die Maschine auf diese Weise ausschaltet, ertönt ein Signalton, um mitzuteilen, dass die Zeitüberschreitung aktiviert wurde.

So starten Sie die Maschine neu, siehe [Anlassen der Maschine](#) (Seite 18).

## Akkupack aus der Maschine entfernen.

1. Öffnen Sie den Akkufachdeckel.
2. Drücken Sie die Verriegelung des Akkupacks, um den Akkupack zu lösen und zu entfernen (Bild 26).

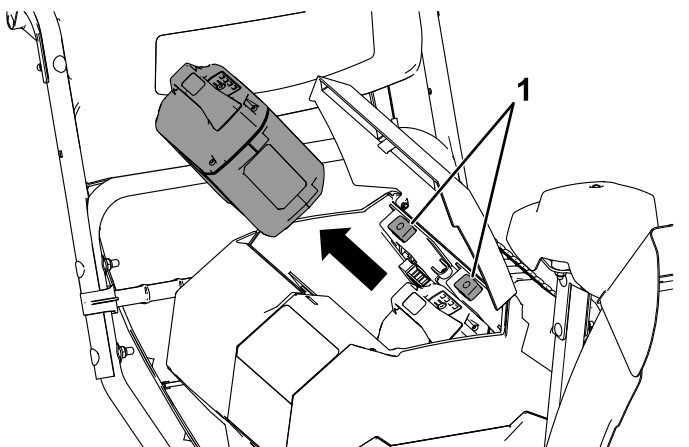


Bild 26

g347853

## Vermeiden des Einfrierens nach dem Einsatz

- Bei Schnee und sehr niedrigen Temperaturen können Bedienelemente und bewegliche Teile einfrieren. **Wenden Sie niemals übermäßig viel Kraft an, wenn Sie versuchen, eingefrorene Bedienelemente zu betätigen.** Wenn es beim Bedienen eines Bedienelements oder eines Teils Schwierigkeiten gibt, starten Sie die Maschine und lassen Sie ihn ein paar Minuten laufen.
- Lassen Sie den Maschine nach dem Schneeräumen einige Minuten lang laufen, um einem Einfrieren von beweglichen Teilen vorzubeugen. Betätigen Sie das Räumwerk bzw. das Gebläserad, um alle Schneereste aus dem Gehäuse zu entfernen. Drehen Sie den Quick Stick, um ein Einfrieren zu vermeiden. Stellen Sie die Maschine ab, warten Sie ab, bis alle beweglichen Teile zum Stillstand gekommen sind, entfernen Sie den Schlüssel und den Akkupack, entfernen Eis und Schnee von der Maschine.
- Entfernen Sie Schnee- und Eistrückstände von der Unterseite des Auswurfkanals.
- Drehen Sie den Auswurfkanal nach links und rechts, um Eisablagerungen zu entfernen.

3. Schließen Sie den Akkufachdeckel.



# Wartung

## Empfohlener Wartungsplan

Wartungsintervall	Wartungsmaßnahmen
Nach zwei Betriebsstunden	<ul style="list-style-type: none"><li>• Überprüfen Sie den Bowdenzug und stellen Sie ihn bei Bedarf ein.</li><li>• Überprüfen Sie das Räumwerk- bzw. Gebläseradkabel und stellen Sie es bei Bedarf ein.</li></ul>
Jährlich	<ul style="list-style-type: none"><li>• Prüfen Sie die Kufen und die Schürfleiste und stellen Sie diese ggf. ein.</li><li>• Überprüfen Sie den Bowdenzug und stellen oder ersetzen Sie ihn bei Bedarf ein.</li><li>• Überprüfen Sie das Räumwerk- bzw. Gebläseradkabel und stellen oder ersetzen Sie es bei Bedarf ein.</li><li>• Prüfen Sie den Ölstand im Räumwerkgetriebe und füllen Sie bei Bedarf Öl nach.</li><li>• Schmieren Sie die Sechskantwelle ein.</li></ul>
Jährlich oder vor der Einlagerung	<ul style="list-style-type: none"><li>• Prüfen Sie den Reifendruck in den Reifen und stellen Sie ihn auf 117 bis 137 kPa ein.</li><li>• Lassen Sie den Treibriemen bzw. den Riemen des Räumwerk- bzw. Gebläseradantriebs ggf. von einem offiziellen Vertragshändler prüfen und auswechseln.</li></ul>

## Vorbereiten für die Wartung

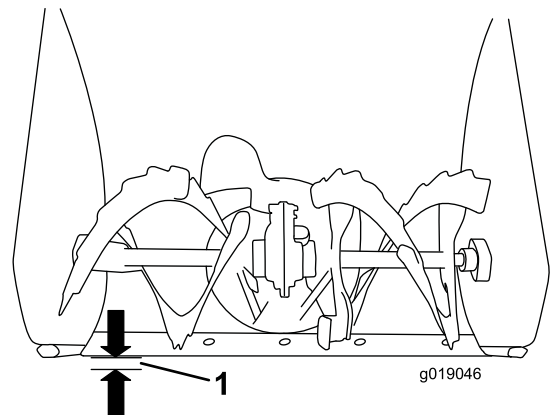
1. Stellen Sie die Maschine auf einer ebenen Fläche ab.
2. Halten Sie die Maschine an, ziehen Sie den elektrischen Startschlüssel ab, warten Sie, bis alle beweglichen Teile zum Stillstand gekommen sind, und nehmen Sie den Akku aus der Maschine, bevor Sie die Maschine einstellen, warten, reinigen oder lagern.

## Prüfen und Einstellen der Kufen und der Schürfleiste

**Wartungsintervall:** Jährlich—Prüfen Sie die Kufen und die Schürfleiste und stellen Sie diese ggf. ein.

Prüfen Sie die Kufen und die Schürfleiste, damit das Räumwerk nicht mit einer gepflasterten oder mit Split bestreuten Oberfläche in Berührung kommt. Stellen Sie die Kufen und Schürfleiste ein, um eine Abnutzung auszugleichen.

1. Prüfen Sie den Reifendruck, siehe [7 Prüfen des Reifendrucks \(Seite 14\)](#).
2. Lösen Sie die Muttern, mit denen beide Kufen an den Seitenplatten des Räumwerks befestigt sind, bis sich die Kufen leicht nach oben und unten verschieben lassen.



**Bild 27**

1. 3 mm

**Wichtig:** Die Räumwerkmesser müssen über dem Boden von den Kufen abgestützt sein.

- Der Abstreifer muss im Abstand von 3 mm parallel oberhalb der ebenen Oberfläche liegen.

**Hinweis:** Stellen Sie bei rissigem, unbefestigtem oder unebenem Bürgersteig die Kufen ein, um den Abstreifer anzuheben. Stellen Sie die Kufen bei Kiesoberflächen weiter nach unten ein, damit die Schneefräse keine Steine aufschleudert.

- Stellen Sie die Kufen nach unten, bis Sie flach mit der Oberfläche sind.
- Ziehen Sie die Muttern fest, mit denen beide Kufen an den Seitenplatten des Räumwerks befestigt sind.

**Hinweis:** Wenn Sie die Kufen schnell einstellen möchten, wenn sie sich gelockert haben, stützen Sie den Abstreifer 3 mm vom Bürgersteig ab. Stellen Sie die Kufen dann nach unten auf den Bürgersteig ein.

**Hinweis:** Wenn sich die Kufen stark abnutzen, können Sie diese wenden und die nicht verwendete Seite zum Bürgersteig einstellen.

## Prüfen und Einstellen des Bowdenzugs

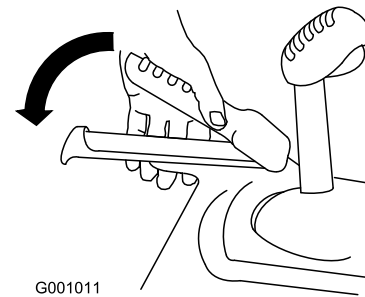
**Wartungsintervall:** Nach zwei Betriebsstunden—Überprüfen Sie den Bowdenzug und stellen Sie ihn bei Bedarf ein.

Jährlich—Überprüfen Sie den Bowdenzug und stellen oder ersetzen Sie ihn bei Bedarf ein.

Wenn die Schneefräse keinen Antrieb in den Vorwärts- oder Rückwärtsgeschwindigkeiten aufweist, oder Antrieb hat, wenn Sie den Fahrtriebshebel loslassen, sollten Sie den Bowdenzug einstellen.

Führen Sie folgende Schritte aus, wenn der linke Antriebsbowdenzug nicht richtig eingestellt ist:

- Lösen Sie die Klemmmutter.
- Kuppeln Sie den Fahrtriebshebel ein und halten ihn fest (Bild 28).

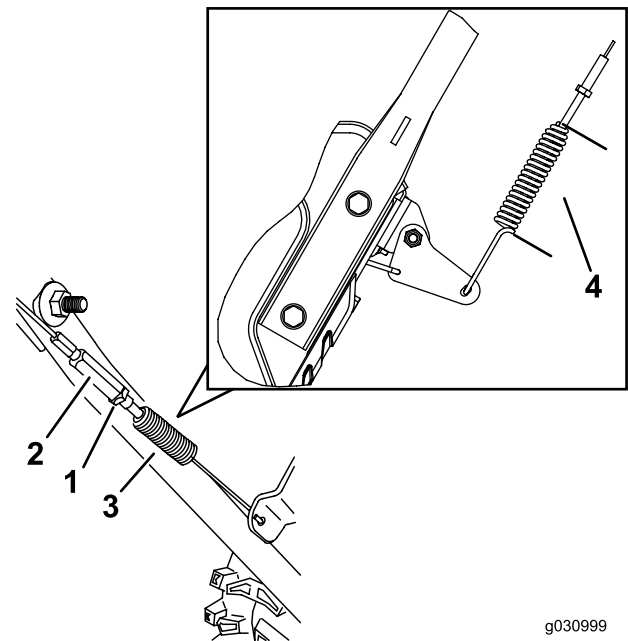


G001011

g001011

**Bild 28**

- Lösen oder ziehen Sie die Spanschraube an, um die Federlänge auf 5,5 cm einzustellen, wie in Bild 29 dargestellt.



g030999

g030998

**Bild 29**

- |                 |           |
|-----------------|-----------|
| 1. Klemmmutter  | 3. Feder  |
| 2. Spanschraube | 4. 5,5 cm |

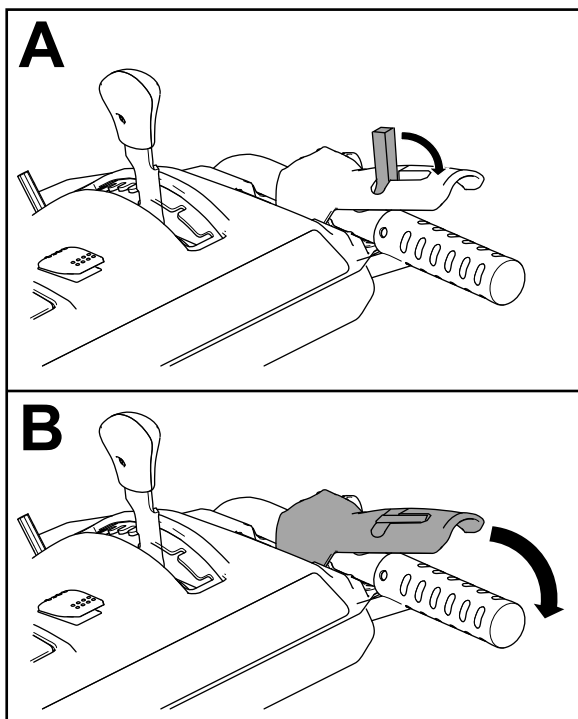
- Ziehen Sie die Klemmmutter (Bild 29) an und stellen Sie sicher, dass der Antriebsbowdenzug etwas gespannt ist.
- Wenn der Antriebsbowdenzug richtig eingestellt ist, das Problem jedoch nicht behoben ist, wenden Sie sich an einen offiziellen Vertragshändler.

# Prüfen und Einstellen des Räumwerk- bzw. Gebläseradkabels

**Wartungsintervall:** Nach zwei Betriebsstunden—Überprüfen Sie das Räumwerk- bzw. Gebläseradkabel und stellen Sie es bei Bedarf ein.

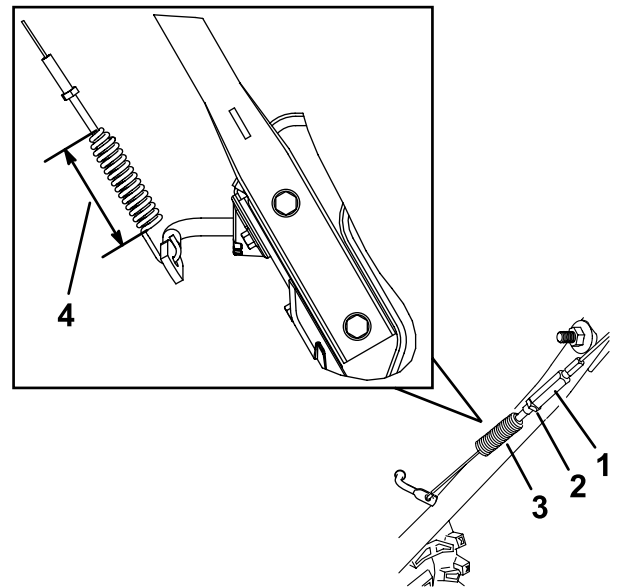
Jährlich—Überprüfen Sie das Räumwerk- bzw. Gebläseradkabel und stellen oder ersetzen Sie es bei Bedarf ein.

1. Lösen Sie die Klemmmutter ([Bild 31](#)).
2. Kuppeln Sie den Räumwerk- bzw. Gebläseradhebel ein und halten ihn fest ([Bild 30](#)).



**Bild 30**

g360687



g371834

**Bild 31**

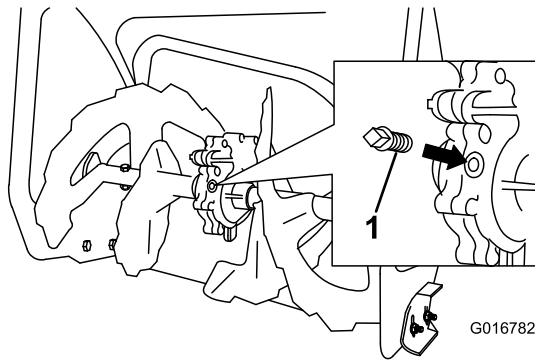
- |                  |  |
|------------------|--|
| 1. Spannschraube | 3. Feder   |
| 2. Klemmmutter   | 4. 6,6 cm, während der Hebel für das Räumwerk/Gebläserad gedrückt gehalten wird. |
- 
4. Ziehen Sie die Klemmmutter ([Bild 31](#)) an und stellen Sie sicher, dass der Zug etwas gespannt ist.
  5. Schalten Sie die Maschine ein und versuchen Sie, den Räumwerk-/Gebläseradtrieb einzuschalten, ohne den Sperrschalter zurückzuschalten. Wenn sich das Räumwerk dreht, lösen Sie die Spannschraube, damit das Räumwerk nicht einkuppelt.
  6. Wenn das Räumwerk- bzw. Gebläseradkabel richtig eingestellt ist, das Problem jedoch nicht behoben ist, wenden Sie sich an einen offiziellen Vertragshändler.

3. Lösen oder ziehen Sie die Spannschraube an, um die Federlänge auf 6,6 cm einzustellen, wie in [Bild 31](#) dargestellt.

# Prüfen des Ölstands im Räumwerkgetriebe

**Wartungsintervall:** Jährlich—Prüfen Sie den Ölstand im Räumwerkgetriebe und füllen Sie bei Bedarf Öl nach.

1. Stellen Sie die Maschine auf einer ebenen Fläche ab.
2. Reinigen Sie den Bereich um den Rohrverschluss (**Bild 32**).



**Bild 32**

1. Rohrverschluss

3. Entfernen Sie den Rohrverschluss vom Getriebe.
4. Prüfen Sie den Ölstand im Getriebe. Der Ölstand sollte 9,5 mm unter der Öffnung des Einfüllstutzens liegen.
5. Füllen Sie bei niedrigem Ölstand Getriebeöl der Sorte GL-5, GL-6 oder GL-6 SAE 80-90 EP nach, bis der Füllstand ca. 9,5 mm unter dem Einfüllstutzen liegt.

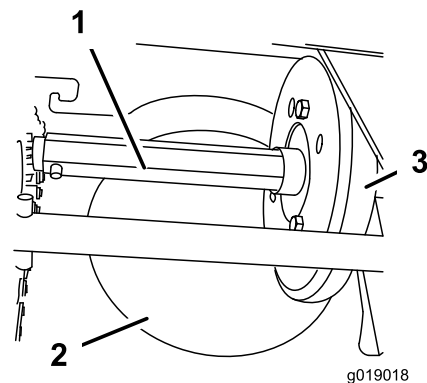
**Hinweis:** Verwenden Sie kein synthetisches Getriebeöl.

6. Befestigen Sie den Rohrverschluss am Getriebe.

# Einschmieren der Sechskantwelle

**Wartungsintervall:** Jährlich—Schmieren Sie die Sechskantwelle ein.

Schmieren Sie die Sechskantwelle mit Kfz-Öl leicht einmal pro Jahr ein (**Bild 33**).

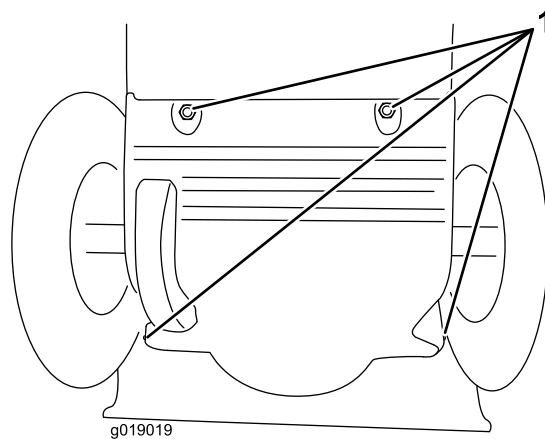


**Bild 33**

1. Sechskantwelle
2. Stahlriemenscheibe
3. Gummirad

**Wichtig:** Achten Sie darauf, dass kein Öl auf das Gummirad oder die Stahlriemenscheibe gelangt, da der Fahrtrieb sonst rutscht (**Bild 33**).

1. Entleeren Sie den Kraftstoff vollständig aus dem Kraftstofftank.
2. Kippen Sie die Maschine nach vorne auf das Räumwerkgehäuse und stützen Sie die Maschine so ab, dass sie nicht umfällt.
3. Entfernen Sie die hintere Abdeckung (**Bild 34**).



**Bild 34**

1. Schrauben
4. Stellen Sie den Geschwindigkeitsschalthebel in die Stellung R2.
5. Stecken Sie den Finger in das Autoöl und schmieren Sie die Sechskantwelle **leicht** ein.
6. Stellen Sie den Geschwindigkeitsschalthebel in die Stellung 6.
7. Schmieren Sie das andere Ende der Sechskantwelle ein.
8. Schieben Sie den Geschwindigkeitsschalthebel mehrmals nach vorne und hinten.

9. Montieren Sie die hintere Abdeckung und richten Sie die Maschine wieder senkrecht auf.

## Austauschen der Treibriemen

Tauschen Sie den Treibriemen des Räumwerks bzw. des Antriebsrads aus, wenn er abgenutzt, ölgetränkt oder auf eine andere Art beschädigt ist. Lassen Sie den Riemen von einem offiziellen Toro Vertragshändler auswechseln.

# Einlagerung

## Einlagern der Maschine

**Wichtig:** Lagern Sie die Maschine, den Akkupack und das Ladegerät nur bei Temperaturen im angemessenen Bereich, siehe Angaben, siehe [Technische Daten \(Seite 17\)](#).

**Wichtig:** Wenn Sie den Akkupack für die Nebensaison aufbewahren, laden Sie ihn soweit auf, bis 2 oder 3 LED-Anzeigebalken auf dem Akku grün leuchten. Lagern Sie ein ganz aufgeladenes oder ganz leeres Akku nicht ein. Wenn Sie die Maschine wieder verwenden möchten, laden Sie den Akkupack auf, bis die linke Anzeigeleuchte am Ladegerät grün leuchtet oder alle vier LED-Anzeigen am Akku grün leuchten.

- Trennen Sie das Produkt von der Stromversorgung (d. h. entfernen Sie den Stecker von der Stromversorgung oder den Akkupack), ziehen Sie den Schlüssel ab und prüfen Sie das Gerät nach der Verwendung auf Schäden.
- Entfernen Sie alle Fremdkörper vom Produkt.
- Bewahren Sie das Werkzeug nicht mit eingebautem Akku auf.
- Lagern Sie die Maschine, den Akkupack, das Akkuladegerät und den Schlüssel außerhalb der Reichweite von Kindern, wenn Sie diese nicht verwenden.
- Halten Sie die Maschine, den Akkupack, das Akkuladegerät und den Schlüssel fern von ätzenden Materialien, wie z. B. Gartenchemikalien oder Streusalz.
- Um die Gefahr schwerer Verletzungen zu minimieren, lagern Sie den Akkupack nicht außerhalb oder innerhalb von Fahrzeugen.
- Bessern Sie Lackschäden mit Lack aus, den Sie von Ihrem Vertragshändler beziehen können. Schmirgeln Sie vor dem Aufbringen der Lackierung die betroffenen Stellen ab und tragen Sie ein Korrosionsschutzmittel auf, um Metallteile vor Rost zu schützen.
- Ziehen Sie alle lockeren Schrauben, Muttern und Sicherungsmuttern fest. Reparieren oder ersetzen Sie alle beschädigten Teile.
- Lagern Sie das Gerät, den Akkupack, das Akkuladegerät und den Schlüssel an einem sauberen und trockenen Ort.

## Vorbereiten des Akkupacks für Recycling

**Wichtig:** Decken Sie die Pole des Akkupacks nach dem Ausbau mit extra starkem Klebeband

**ab. Versuchen Sie nicht, den Akkupack zu zerstören oder auseinanderzubauen oder Teile zu entfernen.**

Informationen zum verantwortungsvollen Recyceln des Akkus erhalten Sie bei Ihrer örtlichen Verwaltung oder Ihrem Toro Vertragshändler.

# Fehlersuche und -behebung

Problem	Mögliche Ursache	Behebungsmaßnahme
Die Maschine läuft nicht oder läuft nicht ununterbrochen.	<ol style="list-style-type: none"> <li>1. Die Zeitüberschreitung der Motorabschaltung wurde erreicht, da das Räumwerk über einen längeren Zeitraum nicht eingekuppelt war.</li> <li>2. Der Schlüssel wurde zu schnell von OFF auf ON gedreht.</li> <li>3. Der Akkupack hat nur noch eine geringe Ladekapazität.</li> <li>4. Der Akkupack ist nicht ordnungsgemäß eingesetzt.</li> <li>5. Der Akkupack ist nicht im geeigneten Temperaturbereich.</li> <li>6. Der Akkupack hat die Grenzwerte für hohe Stromstärken überschritten.</li> <li>7. Die Leitungen des Akkupacks sind feucht.</li> <li>8. Der Akkupack ist beschädigt.</li> <li>9. Es gibt ein weiteres elektrisches Problem mit der Maschine.</li> </ol>	<ol style="list-style-type: none"> <li>1. Kein Problem, starten Sie die Maschine neu. Die Maschine gibt einen Signalton ab, um mitzuteilen, dass die Zeit für die Motorabschaltung erreicht wurde.</li> <li>2. Drehen Sie den Schlüssel langsamer und achten Sie darauf, dass der Schlüssel kurz in der mittleren ACCESSORY-Stellung stehen bleibt.</li> <li>3. Laden Sie den Akkupack auf.</li> <li>4. Stellen Sie sicher, dass der Akkupack vollständig in das Akkufach eingesetzt ist.</li> <li>5. Bringen Sie den Akkupack an einen Ort, der trocken ist und an dem die Temperatur zwischen 5 °C und 40 °C liegt.</li> <li>6. Lassen Sie den Abzug los, und drücken Sie dann den Auslöserschalter.</li> <li>7. Lassen Sie den Akkupack trocknen bzw. wischen Sie ihn trocken.</li> <li>8. Ersetzen Sie den Akkupack.</li> <li>9. Setzen Sie sich dann mit einem Vertragshändler in Verbindung.</li> </ol>
Die Maschine erreicht nicht die volle Leistung.	<ol style="list-style-type: none"> <li>1. Die Ladekapazität des Akkupacks ist zu gering.</li> <li>2. Die Lüftungsöffnungen sind blockiert.</li> </ol>	<ol style="list-style-type: none"> <li>1. Nehmen Sie den Akkupack aus der Maschine heraus und laden Sie den Akkupack vollständig auf.</li> <li>2. Reinigen Sie die Lüftungsöffnungen.</li> </ol>
Die Maschine gibt einen Piepton aus.	<ol style="list-style-type: none"> <li>1. Die Zeitüberschreitung der Motorabschaltung wurde erreicht, da das Räumwerk über einen längeren Zeitraum nicht eingekuppelt war.</li> <li>2. Der Akkupack hat nur noch eine geringe Ladekapazität.</li> <li>3. Die Maschine ist überlastet.</li> <li>4. Es gibt ein weiteres elektrisches Problem mit der Maschine.</li> </ol>	<ol style="list-style-type: none"> <li>1. Kein Problem, starten Sie die Maschine neu. Die Maschine gibt einen Signalton ab, um mitzuteilen, dass die Zeit für die Motorabschaltung erreicht wurde.</li> <li>2. Laden Sie den Akkupack auf.</li> <li>3. Gehen Sie beim Schneeräumen langsamer oder zerteilen Sie große Schneehaufen, bevor Sie diese räumen.</li> <li>4. Probieren Sie die Maßnahmen zur Fehlerbehebung. Wenn der Alarmton weiter ausgegeben wird, wenden Sie sich an einen autorisierten Vertragshändler.</li> </ol>

Problem	Mögliche Ursache	Behebungsmaßnahme
Die Maschine läuft, aber die Fräse wirft nur wenig oder überhaupt keinen Schnee aus.	<ol style="list-style-type: none"> <li>1. Die Schneefräse bewegt sich zu schnell, um Schnee einwandfrei zu räumen.</li> <li>2. Sie versuchen, zu viel Schnee in einem Arbeitsgang zu räumen.</li> <li>3. Sie versuchen, äußerst schweren oder nassen Schnee zu räumen.</li> <li>4. Der Auswurfkanal ist verstopft.</li> <li>5. Der Treibriemen vom Räumwerk bzw. Gebläserad ist locker oder hat sich von der Riemenscheibe gelöst.</li> <li>6. Der Treibriemen vom Räumwerk bzw. Gebläserad ist abgenutzt oder zerrissen.</li> </ol>	<ol style="list-style-type: none"> <li>1. Legen Sie einen niedrigeren Gang ein.</li> <li>2. Reduzieren Sie die Menge Schnee, die Sie in einem Arbeitsgang räumen.</li> <li>3. Überlasten Sie die Maschine nicht mit zu schwerem oder nassem Schnee.</li> <li>4. Entfernen Sie alle Verstopfungen aus dem Auswurfkanal.</li> <li>5. Setzen bzw. stellen Sie den Räumwerk-/Gebläsetreibriemen ein. Weitere Wartungsinformationen finden Sie unter <a href="http://www.Toro.com">www.Toro.com</a>. Sie können die Schneefräse auch von einem offiziellen Vertragshändler warten lassen.</li> <li>6. Tauschen Sie den Räumwerk- bzw. Antriebsradtreibriemen aus. Weitere Wartungsinformationen finden Sie unter <a href="http://www.Toro.com">www.Toro.com</a>. Sie können die Schneefräse auch von einem offiziellen Vertragshändler warten lassen.</li> </ol>
Auswurfkanal rastet nicht ein oder bewegt sich nicht.	<ol style="list-style-type: none"> <li>1. Der Verriegelungszug des Auswurfkanals ist nicht richtig eingestellt.</li> </ol>	<ol style="list-style-type: none"> <li>1. Stellen Sie den Verriegelungszug des Auswurfkanals ein.</li> </ol>
Die Schneefräse räumt den Schnee nicht einwandfrei von der Oberfläche.	<ol style="list-style-type: none"> <li>1. Die Kufen bzw. den Abstreifer sind nicht richtig eingestellt.</li> <li>2. Der Druck in den Reifen ist nicht gleich.</li> </ol>	<ol style="list-style-type: none"> <li>1. Stellen Sie die Kufen und/oder den Abstreifer ein.</li> <li>2. Prüfen Sie den Druck in einem oder beiden Reifen und stellen Sie ihn ein.</li> </ol>
Der Akkupack entlädt sehr schnell.	<ol style="list-style-type: none"> <li>1. Der Akkupack ist nicht im geeigneten Temperaturbereich.</li> <li>2. Die Maschine ist überlastet.</li> </ol>	<ol style="list-style-type: none"> <li>1. Bringen Sie den Akkupack an einen Ort, der trocken ist und an dem die Temperatur zwischen 5 °C und 40 °C liegt.</li> <li>2. Schieben Sie die Maschine mit weniger Kraft.</li> </ol>
Das Ladegerät funktioniert nicht.	<ol style="list-style-type: none"> <li>1. Das Ladegerät ist über oder unter dem geeigneten Temperaturbereich.</li> <li>2. Die Steckdose, in welcher das Ladegerät steckt, ist nicht mit dem Stromnetz verbunden.</li> </ol>	<ol style="list-style-type: none"> <li>1. Trennen Sie das Akkuladegerät vom Strom und bringen Sie es an einen Ort, der trocken ist und an dem die Temperatur zwischen 5 °C und 40 °C liegt.</li> <li>2. Lassen Sie die Steckdose von einem Fachelektriker reparieren.</li> </ol>
Die LED-Anzeigeleuchte am Ladegerät leuchtet rot.	<ol style="list-style-type: none"> <li>1. Das Akkuladegerät und/oder Akkupack ist nicht im geeigneten Temperaturbereich.</li> </ol>	<ol style="list-style-type: none"> <li>1. Trennen Sie das Akkuladegerät vom Strom und bringen Sie Akkuladegerät und Akkupack an einen Ort, der trocken ist und an dem die Temperatur zwischen 5 °C und 40 °C liegt.</li> </ol>



Problem	Mögliche Ursache	Behebungsmaßnahme
Die LED-Anzeigeleuchte am Ladegerät blinkt rot.	<ol style="list-style-type: none"> <li>1. Die Kommunikation zwischen Akkupack und Ladegerät ist defekt.</li>   <li>2. Der Akkupack ist schwach.</li> </ol>	<ol style="list-style-type: none"> <li>1. Nehmen Sie den Akkupack aus dem Akkuladegerät, ziehen Sie das Ladegerät aus der Steckdose und warten Sie 10 Sekunden. Stecken Sie das Akkuladegerät wieder in die Steckdose und legen Sie den Akkupack in das Ladegerät. Wenn die LED-Anzeigeleuchte am Akkuladegerät immer noch rot blinkt, wiederholen Sie den Vorgang. Wenn die LED-Anzeigeleuchte nach 2 Versuchen immer noch rot blinkt, entsorgen Sie den Akkupack ordnungsgemäß an einer Akkusammelstelle.</li> <li>2. Wenden Sie sich an Ihre autorisierte Servicewerkstatt oder Vertragshändler, wenn sich die Batterie noch im Garantiezeitraum befindet, oder entsorgen Sie den Akkupack ordnungsgemäß in einer Recyclingeinrichtung.</li> </ol>

**Hinweise:**

## **EEA/UK Datenschutzerklärung**

### **Toros Verwendung Ihrer persönlichen Informationen**

The Toro Company ("Toro") respektiert Ihre Privatsphäre. Wenn Sie unsere Produkte kaufen, können wir bestimmte persönliche Informationen über Sie sammeln, entweder direkt von Ihnen oder über Ihre lokale Toro-Niederlassung oder Ihren Händler. Toro verwendet diese Informationen, um vertragliche Verpflichtungen zu erfüllen – z. B. um Ihre Garantie zu registrieren, Ihren Garantieanspruch zu bearbeiten oder Sie im Falle eines Rückrufs zu kontaktieren – und für legitime Geschäftszwecke – z. B. um die Kundenzufriedenheit zu messen, unsere Produkte zu verbessern oder Ihnen Produktinformationen zur Verfügung zu stellen, die für Sie von Interesse sein könnten. Toro kann die Informationen im Rahmen dieser Aktivitäten an Toro Tochtergesellschaften, Händler oder Geschäftspartner weitergeben. Wir können auch persönliche Daten offenlegen, wenn dies gesetzlich vorgeschrieben ist oder im Zusammenhang mit dem Verkauf, Kauf oder der Fusion eines Unternehmens. Toro verkauft Ihre persönlichen Informationen niemals an anderen Unternehmen.

### **Speicherung Ihrer persönlichen Daten**

Toro wird Ihre persönlichen Daten so lange aufbewahren, wie es für die oben genannten Zwecke relevant ist und in Übereinstimmung mit den gesetzlichen Bestimmungen. Für weitere Informationen über die geltenden Aufbewahrungsfristen wenden Sie sich bitte an [legal@toro.com](mailto:legal@toro.com).

### **Toros Engagement für Sicherheit**

Ihre persönlichen Daten können in den USA oder einem anderen Land verarbeitet werden, in dem möglicherweise weniger strenge Datenschutzgesetze gelten als in Ihrem Wohnsitzland. Wann immer wir Ihre Daten außerhalb Ihres Wohnsitzlandes übermitteln, werden wir die gesetzlich vorgeschriebenen Schritte unternehmen, um sicherzustellen, dass angemessene Sicherheitsvorkehrungen zum Schutz Ihrer Daten getroffen werden und um sicherzustellen, dass diese sicher behandelt werden.

### **Zugang und Korrektur**

Sie haben das Recht, Ihre persönlichen Daten zu korrigieren und zu überprüfen oder der Verarbeitung Ihrer Daten zu widersprechen bzw. diese einzuschränken. Bitte kontaktieren Sie uns dazu per E-Mail unter [legal@toro.com](mailto:legal@toro.com). Wenn Sie Bedenken haben, wie Toro mit Ihren Daten umgegangen ist, bitten wir Sie, dies direkt mit uns zu besprechen. Bitte beachten Sie, dass europäische Bürger das Recht haben, sich bei Ihrer Datenschutzbehörde zu beschweren.



**Count on it.**



# Fraise à neige Power Max® e26 de 60 V

N° de modèle 31875—N° de série 400000000 et suivants

Manuel de l'utilisateur

## Introduction

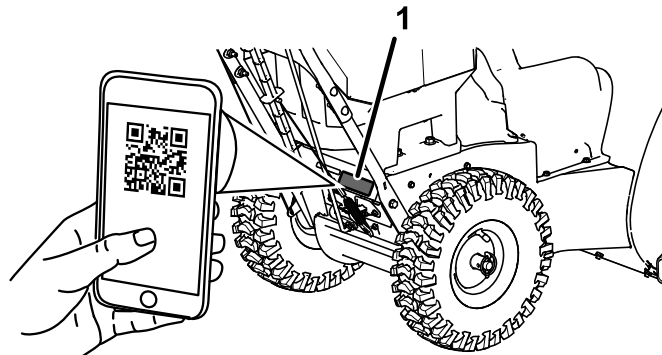
Cette machine est destinée au grand public, aux professionnels et aux utilisateurs temporaires. Elle est conçue principalement pour débiter la neige sur les surfaces revêtues, telles allées et trottoirs, et autres surfaces de circulation des propriétés résidentielles et professionnelles. Elle est conçue pour fonctionner avec des batteries au lithium-ion Toro de 60 V. Ces batteries sont conçues pour être rechargées uniquement avec des chargeurs de batteries ion-lithium Toro de 60 V. L'utilisation de ces produits à d'autres fins que celle prévue peut être dangereuse pour vous-même et toute personne à proximité.

Lisez attentivement cette notice pour apprendre comment utiliser et entretenir correctement votre produit, et éviter ainsi de l'endommager ou de vous blesser. Vous êtes responsable de l'utilisation sûre et correcte du produit.

Rendez-vous sur [www.Toro.com](http://www.Toro.com) pour tout document de formation à la sécurité et à l'utilisation des produits, pour tout renseignement concernant un produit ou un accessoire, pour obtenir l'adresse des concessionnaires ou pour enregistrer votre produit.

Pour obtenir des prestations de service, des pièces d'origine Toro ou des renseignements complémentaires, munissez-vous des numéros de modèle et de série du produit et contactez un concessionnaire-réparateur agréé ou le service client Toro. La [Figure 1](#) indique l'emplacement des numéros de modèle et de série sur le produit. Inscrivez les numéros dans l'espace réservé à cet effet.

**Important:** Avec votre appareil mobile, vous pouvez scanner le QR code sur l'autocollant du numéro de série (le cas échéant) afin d'accéder aux informations sur la garantie, les pièces détachées et autres renseignements concernant le produit.



g397375

Figure 1

1. Emplacement du numéro de modèle, du numéro de série et du QR code

N° de modèle \_\_\_\_\_

N° de série \_\_\_\_\_



# Symbole de sécurité

Le symbole de sécurité (Figure 1) utilisé dans ce manuel et sur la machine identifie d'importants messages de sécurité dont vous devez tenir compte pour éviter des accidents.



**Figure 2**  
Symbole de sécurité

g000502

Le symbole de sécurité apparaît au-dessus de toute information signalant des actions ou des situations dangereuses. Il est suivi de la mention **DANGER**, **ATTENTION** ou **PRUDENCE**.

**DANGER** : Signale un danger immédiat qui, s'il n'est pas évité, **entraînera obligatoirement** des blessures graves ou mortelles.

**ATTENTION** : Signale un danger potentiel qui, s'il n'est pas évité, **risque d'entraîner** des blessures graves ou mortelles.

**PRUDENCE** : Signale un danger potentiel qui, s'il n'est pas évité, **peut éventuellement entraîner** des blessures légères ou modérées.

Ce manuel utilise également deux autres termes pour faire passer des renseignements essentiels. **Important**, pour attirer l'attention sur des renseignements mécaniques spécifiques et **Remarque**, pour insister sur des renseignements d'ordre général méritant une attention particulière.

Ce produit est conforme à toutes les directives européennes pertinentes. Pour plus de renseignements, reportez-vous à la Déclaration de conformité spécifique du produit fournie séparément.

# Table des matières

Introduction .....	1
Symbole de sécurité .....	2
Sécurité .....	3
Autocollants de sécurité et d'instruction .....	6
Mise en service .....	9
1 Montage du chargeur de batterie (option).....	9
2 Montage de la partie supérieure du guidon .....	9
3 Montage de la goulotte.....	10
4 Montage de la tringlerie de commande de déplacement .....	10
5 Montage de la tige d'orientation de la goulotte .....	11
6 Montage de l'outil de nettoyage de la neige .....	12
7 Contrôle de la pression des pneus.....	13
8 Contrôle de la lame racleuse et des patins .....	14
9 Contrôle du fonctionnement de la transmission aux roues .....	14
Vue d'ensemble du produit .....	15
Caractéristiques techniques .....	16
Outils et accessoires.....	16
Utilisation .....	17
Avant l'utilisation .....	17
Installation de la batterie .....	17
Contrôle de l'état de charge .....	17
Pendant l'utilisation .....	17
Démarrage de la machine.....	17
Activation du mode ECO.....	18
Charge de la batterie .....	18
Fonctionnement de la transmission aux roues.....	19
Utilisation du sélecteur de vitesses .....	19
Utilisation de la commande de vis sans fin/turbine .....	20
Utilisation du levier de commande Quick Stick® .....	20
Dégagement de la goulotte d'éjection .....	21
Conseils d'utilisation .....	22
Après l'utilisation .....	23
Arrêt de la machine.....	23
Retrait de la batterie de la machine .....	23
Prévention du blocage par le gel après utilisation.....	23
Entretien .....	24
Programme d'entretien recommandé .....	24
Préparation à l'entretien.....	24
Contrôle et réglage des patins et de la lame racleuse .....	24
Contrôle et réglage du câble de commande de déplacement .....	25
Contrôle et réglage du câble de commande de la vis sans fin/turbine .....	26

Contrôle du niveau d'huile dans le boîtier d'engrenages de la vis sans fin .....	27
Graissage de l'arbre hexagonal .....	27
Remplacement des courroies d'entraînement.....	28
Remisage .....	28
Remisage de la machine .....	28
Dépistage des défauts .....	30

# Sécurité

ATTENTION – Quand vous utilisez une machine électrique, lisez et respectez toujours les mises en garde et consignes de sécurité élémentaires pour réduire les risques d'incendie, de choc électrique ou de blessure, notamment :

## LISEZ TOUTES LES INSTRUCTIONS

ATTENTION – L'utilisation d'une machine électrique exige d'observer certaines précautions élémentaires pour réduire le risque d'incendie, de choc électrique ou de blessure, y compris ce qui suit :

### I. Formation à l'utilisation

1. L'utilisateur de la machine est responsable des accidents et dommages causés à d'autres personnes et à leurs biens.
2. Vous devez lire et comprendre le contenu de ce *Manuel de l'utilisateur* avant de démarrer la machine. Assurez-vous que tous les utilisateurs de cette machine en connaissent parfaitement le fonctionnement, savent comment l'arrêter rapidement et ont bien compris les consignes de sécurité.
3. N'autorisez pas les enfants à jouer avec la machine, la batterie ou le chargeur de batterie ; la réglementation locale peut imposer un âge minimum pour les utilisateurs.
4. Ne confiez pas l'utilisation ou l'entretien de cet appareil à des enfants ou à des personnes non compétentes. Seules les personnes responsables, formées à l'utilisation de l'appareil, ayant lu et compris les instructions et physiquement aptes sont autorisées à utiliser l'appareil ou à en faire l'entretien.
5. Avant d'utiliser la machine, la batterie et le chargeur de batterie, lisez toutes les instructions et mises en garde qui apparaissent sur ces produits.
6. Familiarisez-vous avec les commandes et l'utilisation correcte de la machine, de la batterie et du chargeur de batterie.

### II. Avant d'utiliser la machine

1. N'admettez personne, notamment les enfants, dans la zone de travail.
2. N'autorisez jamais les enfants à utiliser la machine.
3. N'utilisez pas la machine s'il manque des capots ou d'autres dispositifs de protection, ou s'ils sont défectueux.
4. Examinez la zone de travail et débarrassez-la de tout objet pouvant gêner le bon fonctionnement

de la machine ou être projeté pendant son utilisation.

5. Utilisez uniquement la batterie spécifiée par Toro. L'utilisation d'autres accessoires et outils peut accroître le risque de blessure et d'incendie.
6. Brancher le chargeur de batterie à une prise qui n'est pas de 100 à 240 V peut causer un incendie ou un choc électrique. Ne branchez pas le chargeur de batterie à une prise qui n'est pas 100 à 240 V.
7. N'utilisez pas la batterie ou le chargeur s'ils sont endommagés ou modifiés, car leur comportement peut alors être imprévisible et causer un incendie, une explosion ou des blessures.
8. Si le cordon d'alimentation du chargeur est endommagé, contactez un concessionnaire-réparateur agréé pour le faire remplacer.
9. Ne chargez la batterie qu'avec le chargeur spécifié par Toro. Un chargeur prévu pour un type de batterie risque de créer un risque d'incendie s'il est utilisé avec un autre type de batterie.
10. Ne chargez la batterie que dans un endroit bien aéré.
11. Respectez toutes les instructions de charge et ne chargez pas la batterie hors de la plage de température spécifiée dans les instructions. Vous risquez sinon d'endommager la batterie et d'accroître le risque d'incendie.
12. Portez des vêtements adéquats – Portez une tenue adaptée, y compris une protection oculaire, un pantalon, des chaussures solides à semelle antidérapante et des protecteurs d'oreilles. Si vos cheveux sont longs, attachez-les et ne portez pas de vêtements amples ou de bijoux pendants qui pourraient se prendre dans les pièces mobiles.

### III. Utilisation

1. Le contact avec le rotor en mouvement entraîne de graves blessures. N'approchez pas les mains ni les pieds des pièces mobiles de la machine. Ne vous tenez pas devant l'ouverture d'éjection.
2. Restez derrière le guidon et n'approchez pas de l'ouverture d'éjection durant l'utilisation de la machine.
3. L'utilisation de cette machine à d'autres fins que celle prévue peut être dangereuse pour vous-même et les personnes à proximité.
4. Évitez les démarrages accidentels – Assurez-vous que la clé de démarrage

électrique est retirée du commutateur avant de brancher la batterie et de manipuler la machine.

5. Accordez toute votre attention à l'utilisation de la machine. Ne faites rien d'autre qui puisse vous distraire, au risque de causer des dommages corporels ou matériels.
6. Vérifiez que toutes les commandes sont débrayées et sélectionnez le point mort avant de mettre la machine en marche.
7. Arrêtez la machine, enlevez la clé de démarrage électrique, retirez la batterie de la machine et attendez l'arrêt de tout mouvement avant de régler, réviser, nettoyer ou remiser la machine.
8. Enlevez la batterie et la clé de démarrage électrique de la machine chaque fois que vous la laissez sans surveillance ou avant de changer d'accessoires.
9. Ne faites pas forcer la machine – Elle donnera de meilleurs résultats et fonctionnera de manière plus sûre si vous l'utilisez à la vitesse pour laquelle elle est prévue.
10. Restez alerte – Concentrez-vous sur votre tâche et faites preuve de bon sens lorsque vous utilisez la machine. N'utilisez pas la machine si vous êtes fatigué, malade ou sous l'emprise de l'alcool, de drogues ou de médicaments.
11. N'utilisez la machine que si la visibilité est suffisante et les conditions météorologiques favorables.
12. Redoublez de prudence lorsque vous faites marche arrière ou que vous tirez la machine vers vous.
13. Gardez toujours les pieds bien posés à terre et maintenez votre équilibre, en particulier sur les pentes. Redoublez de prudence lorsque vous changez de direction sur un terrain en pente. N'utilisez pas la machine sur des pentes très escarpées. Avancez toujours à une allure normale avec la machine, ne courez pas.
14. Désengagez la vis sans fin lorsque vous ne débroyez pas la neige activement.
15. Ne dirigez pas l'éjection vers qui que ce soit. N'éjectez pas la neige contre un mur ou un obstacle, car elle pourrait ricocher dans votre direction. Arrêtez la machine avant de traverser du gravier.
16. Faites preuve de la plus grande prudence lorsque vous traversez ou déneigez des routes, trottoirs ou allées de gravier avec la machine. Faites attention aux dangers cachés et à la circulation.
17. Si la machine heurte un objet ou se met à vibrer, coupez immédiatement le moteur, retirez la clé, enlevez la batterie et attendez l'arrêt complet



- de tout mouvement avant de vérifier l'état de la machine. Effectuez toutes les réparations nécessaires avant de réutiliser la machine.
18. Coupez le moteur de la machine chaque fois que vous quittez la position de conduite pour quelque raison que ce soit.
  19. Coupez le moteur avant de déboucher la machine et de retirer la clé, et faites-le toujours avec un bâton ou un outil de nettoyage.
  20. Arrêtez la machine et retirez la clé de démarrage électrique avant de charger la machine pour la transporter.
  21. N'utilisez jamais la machine à grande vitesse sur un sol glissant.
  22. Dans des conditions d'utilisation abusive, du liquide peut jaillir hors de la batterie ; évitez tout contact. En cas de contact accidentel avec le liquide, rincez abondamment avec de l'eau. En cas de contact du liquide avec les yeux, consultez un médecin. Le liquide éjecté hors de la batterie peut causer des irritations ou des brûlures.
  23. N'exposez pas la batterie ou l'outil au feu ou à une température excessive. L'exposition au feu ou à une température supérieure à 130 °C peut provoquer une explosion.
  24. PRUDENCE – la batterie peut présenter un risque d'incendie, d'explosion ou de brûlure chimique en cas de mauvais traitement.
    - Ne démontez pas la batterie.
    - Remplacez toujours la batterie par une batterie d'origine Toro ; l'utilisation d'un autre type de batterie peut causer un incendie ou un risque de blessure.
    - Conservez les batteries hors de la portée des enfants et dans leur emballage d'origine jusqu'au moment de les utiliser.
  5. Pour obtenir des résultats optimaux, utilisez uniquement des pièces de rechange et des accessoires d'origine Toro. Tous autres accessoires ou pièces de rechange peuvent être dangereux, et leur utilisation risque d'annuler la garantie produit.
  6. Faites l'entretien de la machine – Gardez les poignées propres et sèches, et exemptes d'huile et de graisse. Les protections doivent toujours être en place et en bon état. Utilisez uniquement des pièces de rechange identiques.
  7. Contrôlez fréquemment le serrage de toutes les fixations pour garantir le fonctionnement sûr de la machine.
  8. Vérifiez qu'aucune pièce de la machine n'est endommagée. Vérifiez qu'aucune des pièces mobiles n'est mal alignée ou grippée, et qu'aucune pièce n'est cassée, mal fixée ou présente tout autre défaut qui pourrait affecter son fonctionnement. Sauf indication contraire dans les instructions, faites réparer ou remplacer les protections ou les pièces endommagées par un concessionnaire-réparateur agréé.
  9. Lorsque la batterie ne sert pas, rangez-la à l'écart d'objets métalliques tels que trombones, pièces de monnaie, clés, clous ou vis qui pourraient relier les bornes entre elles. Un court-circuit aux bornes de la batterie peut causer des brûlures ou un incendie.
  10. Lorsque vous n'utilisez pas la machine, remisez-la dans un local sec et sécurisé, et hors de la portée des enfants.
  11. Si vous remisez la machine plus d'un mois, reportez-vous à la section [Remisage \(page 28\)](#) pour prendre connaissance de détails importants.
  12. PRUDENCE – La batterie peut présenter un risque d'incendie ou de brûlure chimique en cas de mauvais traitement. Ne démontez pas la batterie. N'exposez pas la batterie à une température supérieure à 68 °C et ne l'incinerez pas. Remplacez toujours la batterie par une batterie d'origine Toro ; l'utilisation d'un autre type de batterie peut causer un incendie ou une explosion. Conservez les batteries hors de la portée des enfants et dans leur emballage d'origine jusqu'au moment de les utiliser.
  13. Ne jetez pas la batterie au feu. L'élément pourrait exploser. Vérifiez si la réglementation locale stipule des procédures de mise au rebut spéciales.

#### IV. Entretien et remisage

1. Arrêtez la machine, enlevez la clé de démarrage électrique, retirez la batterie de la machine et attendez l'arrêt de tout mouvement avant de régler, réviser, nettoyer ou remiser la machine.
2. N'essayez pas de réparer la machine autrement qu'en suivant les instructions fournies. Confiez l'entretien de la machine à un concessionnaire-réparateur agréé qui utilise des pièces de rechange identiques.
3. Portez des gants et une protection oculaire pour faire l'entretien de la machine.
4. Lorsque vous faites l'entretien du rotor, n'oubliez pas qu'il peut encore bouger même si l'alimentation électrique est coupée.

**CONSERVEZ CES INSTRUCTIONS**

# Autocollants de sécurité et d'instruction



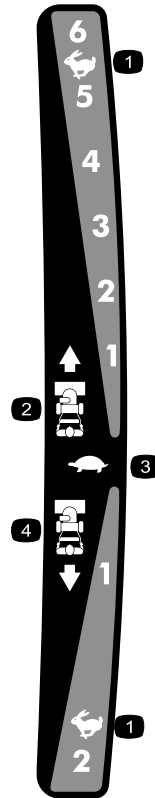
Des autocollants de sécurité et des instructions bien visibles par l'opérateur sont placés près de tous les endroits potentiellement dangereux. Remplacez tout autocollant endommagé ou manquant.



**121-6817**

decal121-6817

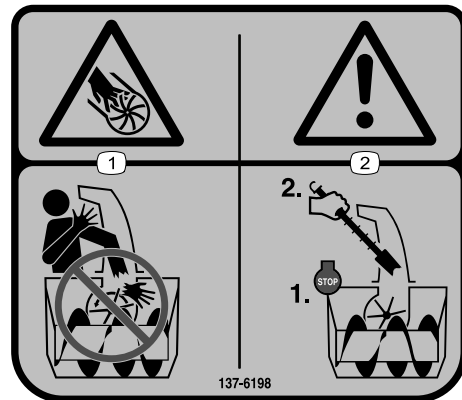
1. Risque de coupure/mutilation des mains ou des pieds par la turbine et la vis sans fin – n'autorisez personne à s'approcher.



**121-6823**

decal121-6823

- |                             |                               |
|-----------------------------|-------------------------------|
| 1. Haut régime              | 3. Bas régime                 |
| 2. Vitesses en marche avant | 4. Vitesses en marche arrière |



**137-6198**

decal137-6198

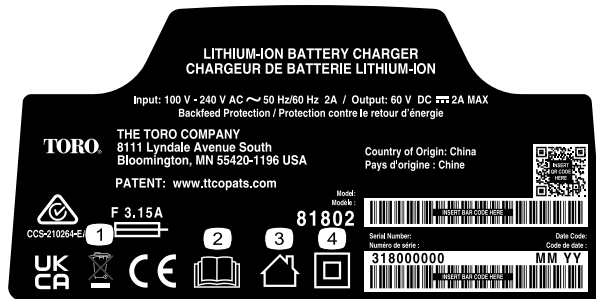
- |   |  |
|---|--|
| 1. Risque de blessure/mutilation des doigts ou des mains par la turbine – ne placez pas les mains dans la goulotte. | 2. Attention – coupez le moteur avant d'introduire l'outil dans la goulotte pour la dégager. |
|---|--|



decal121-1240

### 121-1240

1. Transmission aux roues – serrez le levier pour l'engager ;  
desserrez le levier pour la désengager.
2. Attention – lisez le *Manuel de l'utilisateur*.
3. Risque de coupure/mutilation des mains par la turbine – ne  
placez pas la main dans la goulotte, coupez le moteur avant  
de quitter la position d'utilisation et dégagez la goulotte avec  
l'outil de nettoyage.
4. Risque de coupure/mutilation des mains par la turbine –  
n'approchez pas des pièces en mouvement, laissez toutes  
les protections en place, enlevez la clé et lisez le *Manuel de  
l'utilisateur* avant d'effectuer tout entretien.
5. Risque de projection d'objets – n'autorisez personne à  
s'approcher de la machine.
6. Commande de la vis sans fin/turbine – serrez le levier pour  
l'engager ; desserrez le levier pour la désengager.



decal144-6028

### 144-6028

1. Mettre au rebut en respectant l'environnement
2. Lisez le *Manuel de l'utilisateur*.
3. Pour usage intérieur
4. Double isolation



decal137-9496

### 137-9496

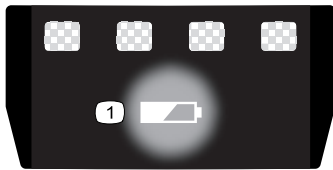
1. La batterie est en charge.
2. La batterie est complètement chargée.
3. La température de la batterie est supérieure ou inférieure à la  
plage de température appropriée.
4. Anomalie de charge de la batterie



decal140-8492

### 140-8492

1. Tenir à l'écart du feu et des flammes nues.
2. Ne pas exposer à la pluie.
3. Lisez le *Manuel de l'utilisateur*.
4. Recyclez la batterie selon la réglementation en vigueur.
5. Contient des ions de lithium ; mettre au rebut en respectant l'environnement.



decal137-9461

### 137-9461

1. État de charge de la batterie

# Mise en service

**Important:** La batterie n'est pas complètement chargée à l'achat. Avant d'utiliser la machine pour la première fois, voir [Charge de la batterie \(page 18\)](#).

**1**

## Montage du chargeur de batterie (option)

Pièces nécessaires pour cette opération:

2	Fixations (non incluses)
---	--------------------------

### Procédure

Si vous le souhaitez, vous pouvez fixer le chargeur de batterie sur un mur à l'aide des fentes de fixation murale qui sont au dos.

Montez-le à l'intérieur (dans un garage ou autre endroit à l'abri de l'humidité, par exemple), à proximité d'une prise de courant et hors de la portée des enfants.

Pour savoir comment monter le chargeur, voir la [Figure 3](#).

Pour fixer le chargeur en place, glissez-le sur les fixations placées au bon endroit (fixations non incluses).

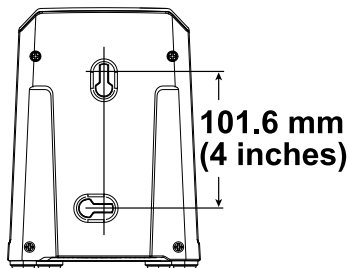


Figure 3

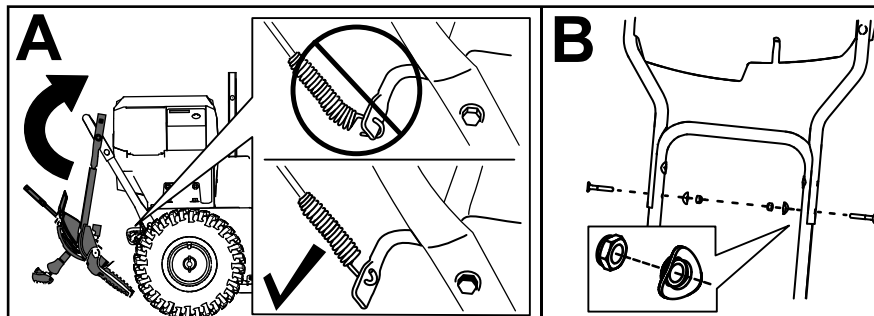
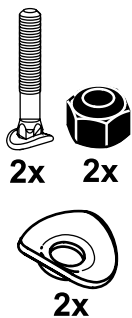
g290534

# 2

## Montage de la partie supérieure du guidon

Aucune pièce requise

### Procédure



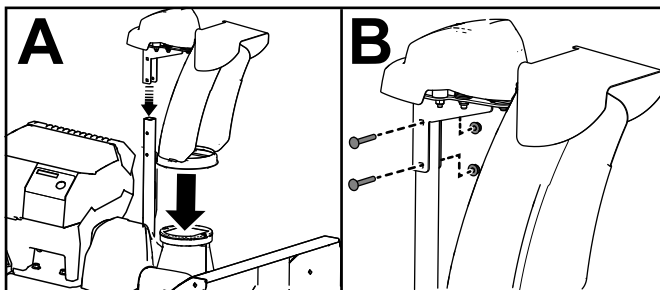
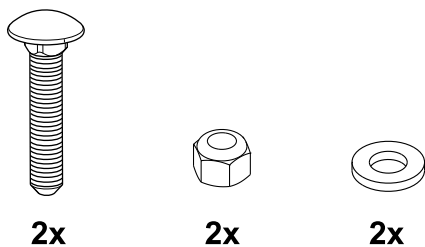
g344090

# 3

## Montage de la goulotte

Aucune pièce requise

### Procédure



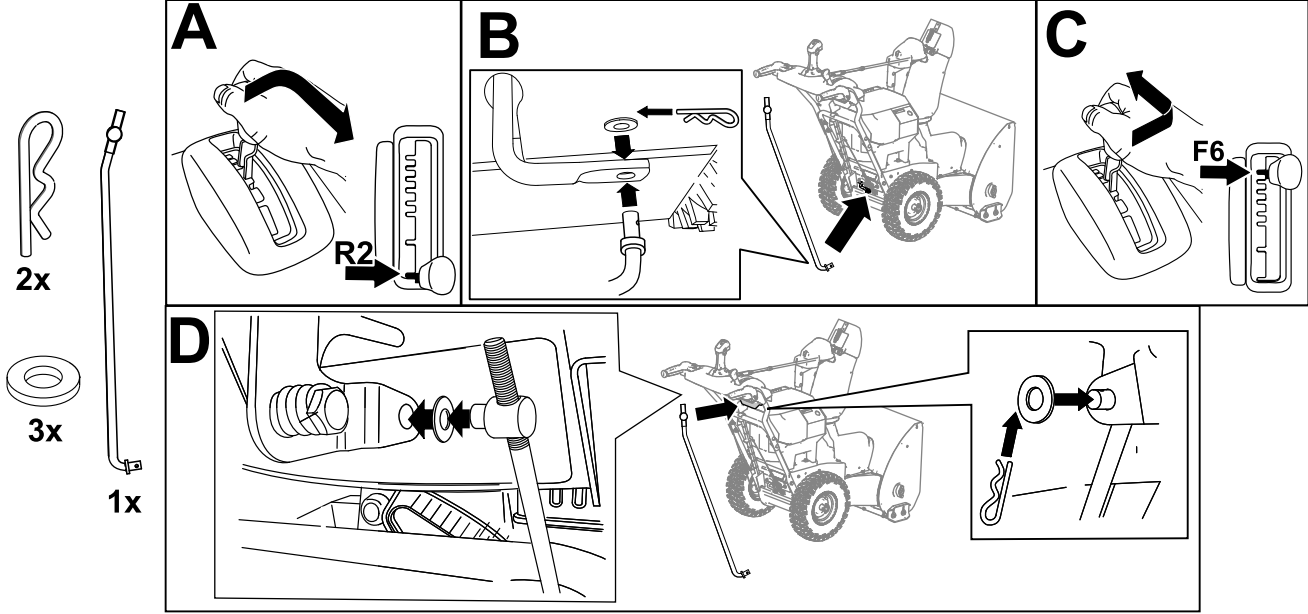
g344087

# 4

## Montage de la tringlerie de commande de déplacement

Aucune pièce requise

### Procédure



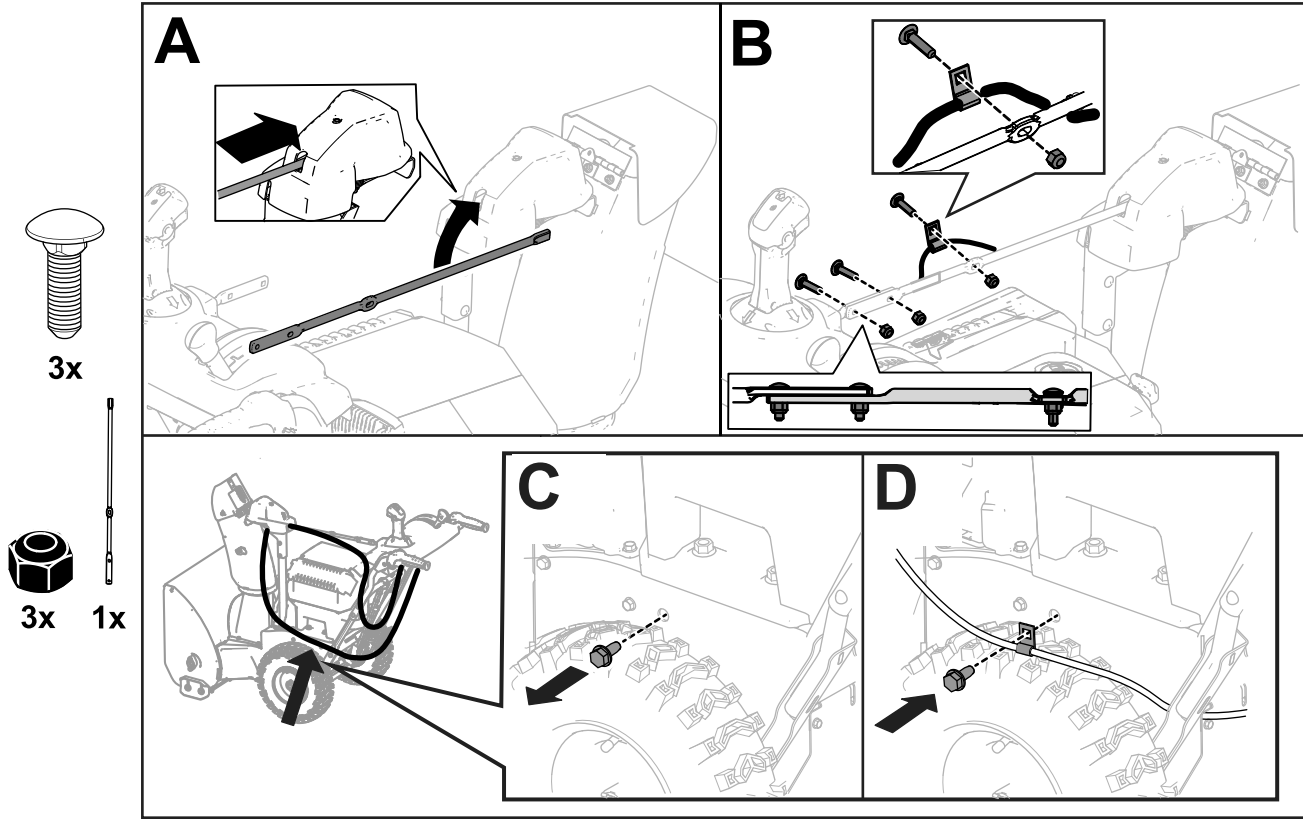
g344089

# 5

## Montage de la tige d'orientation de la goulotte

Aucune pièce requise

### Procédure



g344086

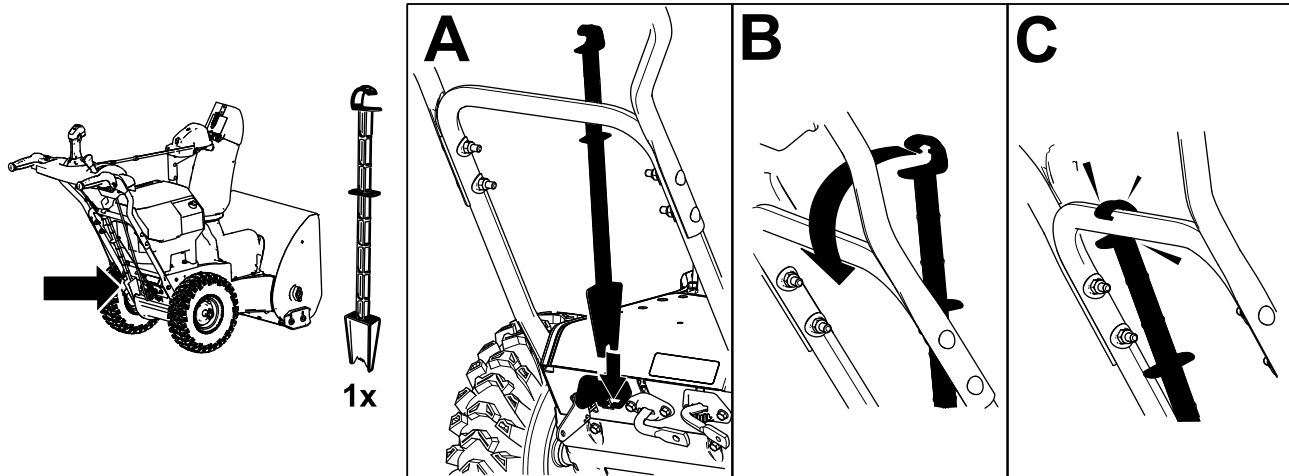


# 6

## Montage de l'outil de nettoyage de la neige

Aucune pièce requise

### Procédure

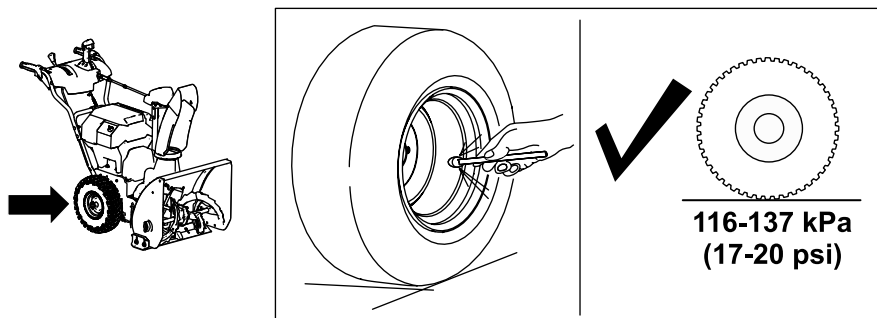


# 7

## Contrôle de la pression des pneus

Aucune pièce requise

### Procédure



# 8

## Contrôle de la lame racleuse et des patins

Aucune pièce requise

### Procédure

Voir [Contrôle et réglage des patins et de la lame racleuse \(page 24\)](#).

# 9

## Contrôle du fonctionnement de la transmission aux roues

Aucune pièce requise

### Procédure

#### **⚠ PRUDENCE**

Si la transmission n'est pas réglée correctement, la machine peut se déplacer dans la direction opposée à celle recherchée et causer des blessures et/ou des dommages matériels.

Vérifiez soigneusement la transmission et réglez-la au besoin.

1. Démarrez la machine ; voir [Démarrage de la machine \(page 17\)](#).
2. Placez le sélecteur de vitesse à la position R1 ; voir [Utilisation du sélecteur de vitesses \(page 19\)](#).
3. Serrez le levier gauche (déplacement) contre la poignée ([Figure 10](#)).

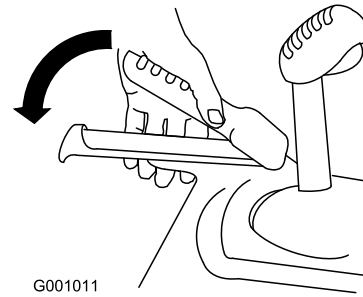


Figure 10

g001011

La machine devrait reculer. Si la machine ne bouge pas du tout ou avance au lieu de reculer, procédez comme suit :

- A. Relâchez le levier de commande de déplacement et coupez le moteur ; voir [Arrêt de la machine \(page 23\)](#).
  - B. Détachez le tourillon du levier sélecteur de vitesses.
  - C. Tournez le tourillon vers le bas (sens horaire) sur la tige de commande de vitesse.
  - D. Accouplez le tourillon au levier sélecteur de vitesses.
4. Relâchez le levier de commande de déplacement.
  5. Placez le sélecteur de vitesse à la position 1 ; voir [Utilisation du sélecteur de vitesses \(page 19\)](#).
  6. Serrez le levier gauche (déplacement) contre la poignée ([Figure 10](#)).

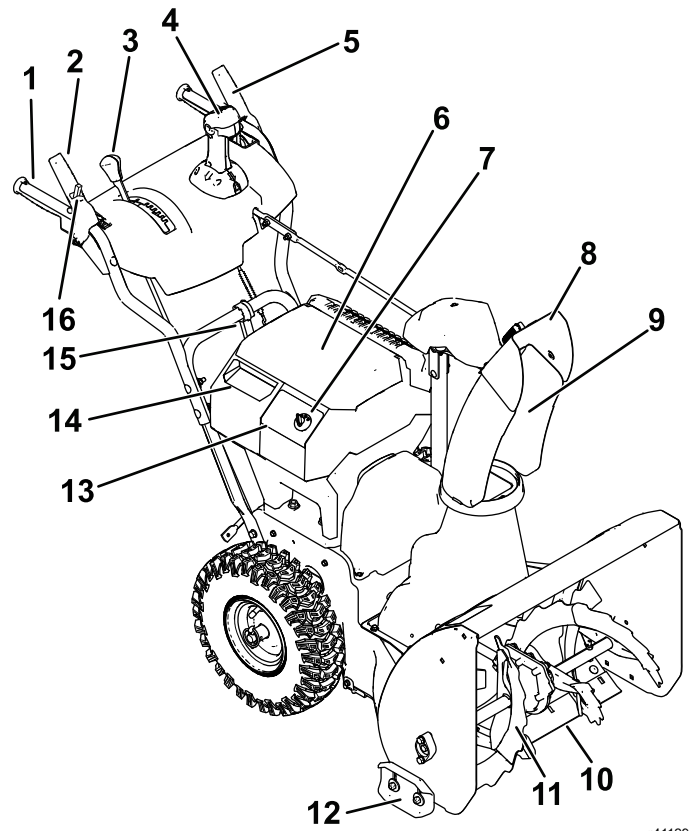
La machine devrait avancer. Si la machine ne bouge pas du tout ou recule au lieu d'avancer, procédez comme suit :

- A. Relâchez le levier de commande de déplacement et coupez le moteur.
  - B. Détachez le tourillon du levier sélecteur de vitesses.
  - C. Tournez le tourillon vers le haut (sens antihoraire) sur la tige de commande de vitesse.
  - D. Accouplez le tourillon au levier sélecteur de vitesses.
7. Si avez effectué des réglages, répétez cette procédure jusqu'à ce qu'aucun nouveau réglage ne soit nécessaire.

**Important:** Si la machine se déplace alors que le levier de commande de déplacement est desserré, vérifiez le câble de commande de déplacement (voir [Contrôle et réglage du câble de commande de déplacement \(page 25\)](#)) ou portez la machine

chez un concessionnaire-réparateur agréé pour la faire réviser.

# Vue d'ensemble du produit



g411293

Figure 11

- |  |   |
|--|---|
| 1. Poignée (2)   | 9. Goulotte d'éjection                                  |
| 2. Commande de la vis sans fin/turbine                           | 10. Lame racleuse                                       |
| 3. Levier sélecteur de vitesse                                   | 11. Vis sans fin  |
| 4. Commande d'orientation de la goulotte d'éjection Quick Stick® | 12. Patin (2)   |
| 5. Levier de commande de déplacement                             | 13. Panneau de commande                                 |
| 6. Couvercle du compartiment principal de la batterie            | 14. Couvercle du compartiment secondaire de la batterie |
| 7. Clé de démarrage électrique                                   | 15. Outil de nettoyage de la neige                      |
| 8. Déflecteur de la goulotte                                     | 16. Commutateur de verrouillage                         |

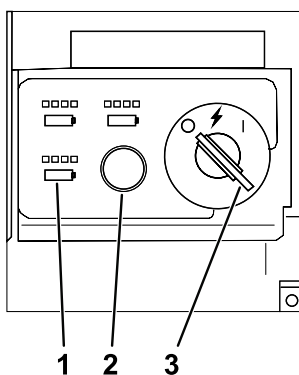


Figure 12

g347780

1. Témoins de charge de la batterie
2. Bouton ECO
3. Commutateur à clé en position ARRÊT

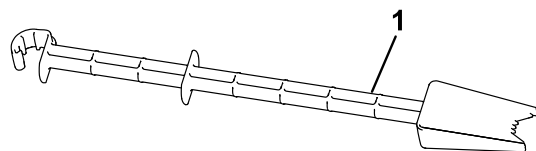


Figure 13

g344092

1. Outil de nettoyage de la neige (fixé au guidon)

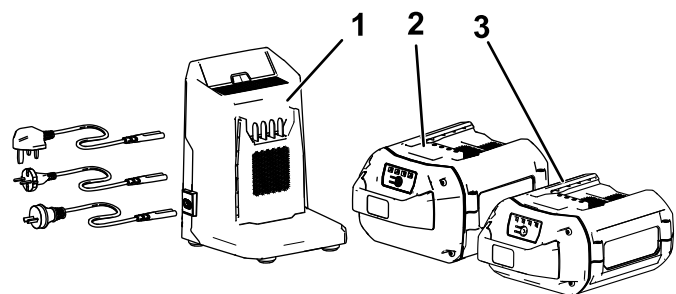


Figure 14

g342171

1. Chargeur de batterie modèle 81805 (fourni avec le modèle 31875)
2. Batterie modèle 81875 (fournie avec le modèle 31875)
3. Batterie modèle 81825 (non incluse)

## Caractéristiques techniques

Modèle	Poids	Longueur	Largeur	Hauteur
31875	64 kg	142 cm	71 cm	117 cm

### Batterie

Modèle	81875
Capacité de la batterie	7,5 Ah
	405 Wh
Tension de la batterie selon le fabricant = 60 V maximale et 54 V nominale. La tension réelle varie en fonction de la charge.	

### Chargeur de batterie

Modèle	81805
Type	Chargeur rapide pour batterie ion-lithium de 60 V MAX
Entrée	100 à 240 V c.a. 50/60 Hz Max 5 A
Sortie	60 V MAX c.c. 5,5 A

### Plages de températures adéquates

Charger/ranger la batterie entre	5 °C et 40 °C*
Utiliser la batterie entre	-30 °C et 49 °C*
Utiliser la machine entre	-30 °C et 49 °C*

\*Le temps de charge sera plus long en dehors de cette plage de température.

Remisez la machine, la batterie et le chargeur dans un local fermé, propre et sec.

## Outils et accessoires

Une sélection d'outils et d'accessoires agréés par Toro est disponible pour augmenter et améliorer les capacités de la machine. Pour obtenir la liste de tous les accessoires et outils agréés, contactez votre concessionnaire-réparateur ou votre distributeur Toro agréé, ou rendez-vous sur [www.Toro.com](http://www.Toro.com).

Pour garantir un rendement optimal et assurer la certification de sécurité de la machine, utilisez uniquement des pièces de rechange et accessoires d'origine Toro. Les pièces de rechange et accessoires d'autres constructeurs peuvent être dangereux.

# Utilisation

**Remarque:** Les côtés gauche et droit de la machine sont déterminés d'après la position d'utilisation normale.

## Avant l'utilisation

### Installation de la batterie

1. Vérifiez que les événements des batteries sont exempts de poussière et de débris.
2. Soulevez le couvercle du compartiment de la batterie.
3. Placez le creux de la batterie en face de la languette sur la machine, et insérez la batterie dans le compartiment jusqu'à ce qu'elle s'enclenche en position (Figure 9).
4. Refermez le couvercle du compartiment de la batterie.
5. Procédez de la même manière pour les deux autres emplacements de batteries (au besoin).

**Remarque:** Les ampères-heures combinés de toutes les batteries installées doivent totaliser 6,0 Ah ou plus, sinon la machine ne démarrera pas.

**Remarque:** Si le couvercle du compartiment de la batterie ne se ferme pas complètement, cela signifie que la batterie n'est pas parfaitement insérée.

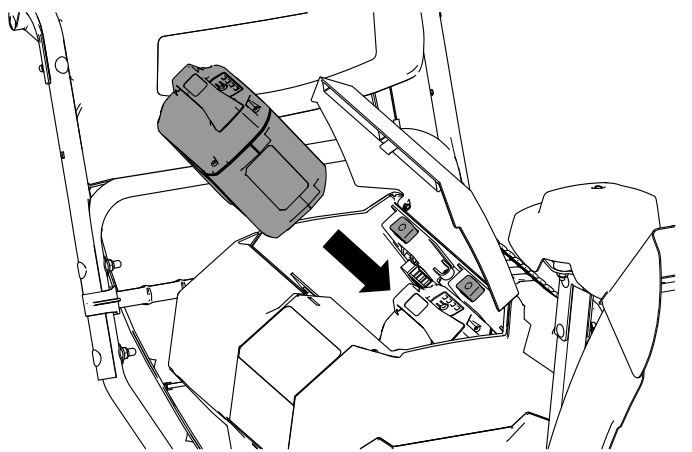


Figure 15

## Contrôle de l'état de charge

Vous pouvez voir l'état de charge précis de chaque batterie installée ; tournez la clé à la position ACCESSOIRE (Figure 16). La position de chaque groupe de témoins lumineux renvoie à l'emplacement de batterie correspondant. Si l'état de charge de la batterie est trop faible et que cette dernière a besoin d'être chargée, ou s'il n'y a pas de batterie dans l'emplacement correspondant, le témoin de présence de batterie ne s'allume pas.

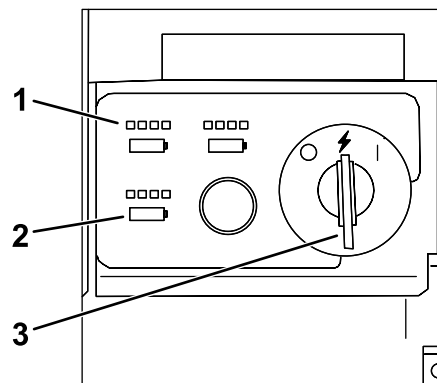


Figure 16

1. Témoins d'état de charge
2. Témoins de présence de batterie
3. Commutateur à clé à la position ACCESSOIRE

## Pendant l'utilisation

### Démarrage de la machine

**Remarque:** Utilisez la batterie uniquement à des températures comprises dans la plage adéquate ; voir [Caractéristiques techniques](#) (page 16).

1. Vérifiez que la ou les batteries sont installées dans la machine ; voir [Installation de la batterie](#) (page 17).
2. Insérez la clé de démarrage électrique dans le panneau de commande.
3. Tournez la clé à la position ACCESSOIRE.
4. Tournez la clé à la position CONTACT pour démarrer le moteur (Figure 17).

**Remarque:** Si vous tournez la clé de la position ARRÊT à la position CONTACT trop rapidement, le moteur risque de ne pas démarrer ; veillez à laisser la clé brièvement à la position ACCESSOIRE.

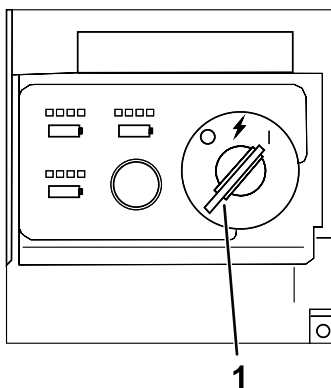


Figure 17

g347864

1. Commutateur à clé en position CONTACT

**Remarque:** Si le moteur est en marche et tourne au ralenti ou si vous utilisez la machine sans engager la vis sans fin pendant une période prolongée, la temporisation d'arrêt du moteur se déclenche et coupe le moteur. Lorsque la machine s'arrête de cette façon, un signal sonore indique que la temporisation s'est déclenchée.

## Activation du mode ECO

L'utilisation du mode ECO peut prolonger la vie de la batterie en réduisant la vitesse du rotor ; utilisez le mode ECO chaque fois que vous déblayez une faible quantité de neige, ou que vous déplacez la neige sur une courte distance. Activez le mode ECO avec le bouton ECO, comme montré à la [Figure 18](#).

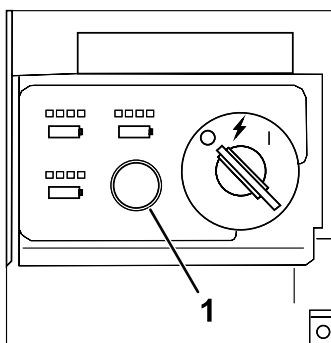


Figure 18

g347866

1. Bouton de mode ECO

## Charge de la batterie

**Important:** La batterie n'est pas complètement chargée à l'achat. Avant d'utiliser l'outil pour la première fois, placez la batterie dans le chargeur et chargez-la jusqu'à ce que les diodes indiquent

qu'elle est complètement chargée. Lisez toutes les consignes de sécurité.

**Important:** Chargez toujours la batterie à des températures comprises dans la plage adéquate ; voir [Caractéristiques techniques \(page 16\)](#).

**Remarque:** À tout moment, appuyez sur le bouton indicateur de charge de la batterie pour afficher la charge actuelle (diodes).

1. Vérifiez que les événements de la batterie et du chargeur sont exempts de poussière et de débris.

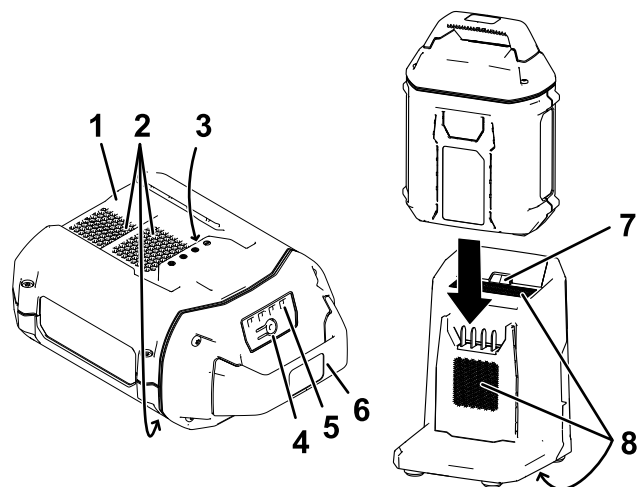


Figure 19

g290533

- |   |                             |
|---|-----------------------------|
| 1. Creux de la batterie                       | 5. Diodes (charge actuelle) |
| 2. Événements de la batterie                  | 6. Poignée                  |
| 3. Bornes de la batterie                      | 7. Voyant du chargeur       |
| 4. Bouton indicateur de charge de la batterie | 8. Événements du chargeur   |

2. Alignez le creux de la batterie ([Figure 19](#)) sur la languette du chargeur.
3. Insérez la batterie dans le chargeur jusqu'à ce qu'elle soit complètement enclenchée ([Figure 19](#)).

4. Pour retirer la batterie du chargeur, faites-la glisser en arrière.
5. Voir l'explication des indications du voyant du chargeur de batterie dans le tableau ci-après.

Voyant	Indication
Hors tension	Pas de batterie insérée
Vert clignotant	Batterie en charge
Vert	Batterie chargée
Rouge	La température de la batterie et/ou du chargeur est supérieure ou inférieure à la plage appropriée.
Rouge clignotant	Anomalie de charge de la batterie*

\*Voir [Dépistage des défauts \(page 30\)](#) pour plus d'informations.

**Important:** Vous pouvez laisser la batterie dans le chargeur pendant une courte période entre deux utilisations.

Si la batterie ne doit pas servir pendant une période prolongée, retirez la batterie du chargeur ; voir [Remisage \(page 28\)](#).

## Fonctionnement de la transmission aux roues

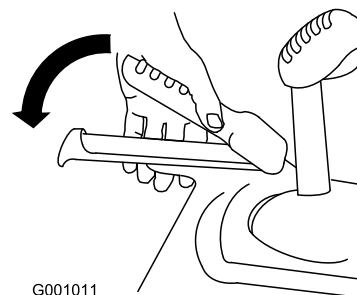
### ⚠ PRUDENCE

Si la transmission n'est pas réglée correctement, la machine peut se déplacer dans la direction opposée à celle recherchée et causer des blessures et/ou des dommages matériels.

Vérifiez soigneusement la transmission et réglez-la au besoin ; voir [Contrôle et réglage du câble de commande de déplacement \(page 25\)](#) pour plus de renseignements.

**Important:** Si la machine se déplace alors que le levier de commande de déplacement est desserré, vérifiez le câble de commande de déplacement (voir [Contrôle et réglage du câble de commande de déplacement \(page 25\)](#)) ou portez la machine chez un concessionnaire-réparateur agréé pour la faire réviser.

1. Pour engager la transmission aux roues, serrez le levier gauche (déplacement) contre la poignée (Figure 20).



G001011

g001011

Figure 20

2. Pour arrêter le déplacement de la machine, relâchez le levier.

## Utilisation du sélecteur de vitesses

Le sélecteur permet de sélectionner 6 vitesses en marche avant et 2 en marche arrière. Pour changer de vitesse, relâchez le levier de commande de déplacement et amenez le sélecteur de vitesse à la position voulue (Figure 21). Le levier s'engage dans un cran pour chaque vitesse choisie.

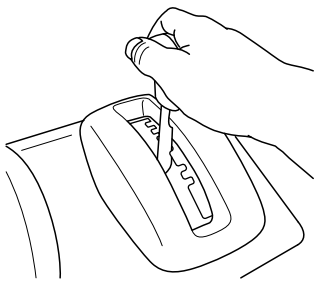


Figure 21

g322971

## Utilisation de la commande de vis sans fin/turbine

1. Pour engager l'entraînement de vis sans fin/turbine, déplacez le commutateur de verrouillage vers l'arrière sur le levier, puis serrez le levier droit (vis sans fin/turbine) contre la poignée (Figure 22).

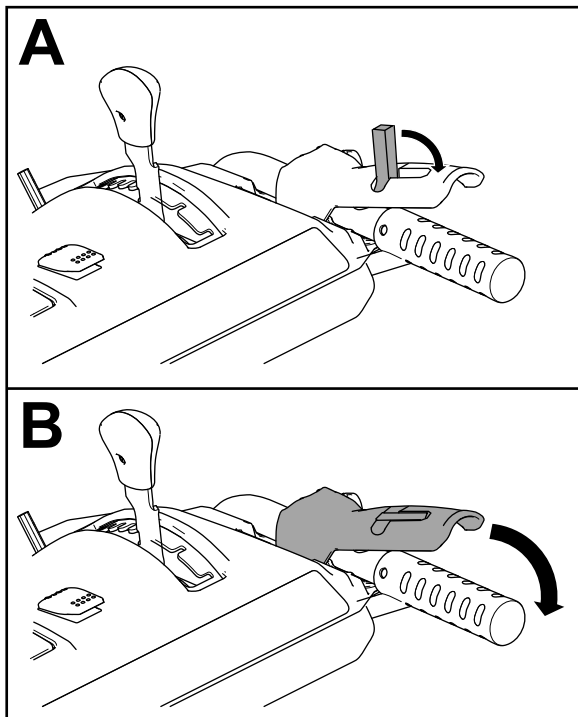


Figure 22

g360687

2. Relâchez le levier droit pour arrêter la vis sans fin et la turbine.

**Important:** Lorsque vous engagez à la fois le levier de commande de la vis sans fin/turbine et le levier de commande de déplacement, ce dernier bloque le levier de la vis sans fin/turbine, ce qui libère votre main droite. Pour relâcher les deux leviers, il suffit de relâcher le levier gauche (déplacement).

3. Si la vis sans fin et la turbine continuent de tourner après que vous avez relâché le levier de commande, n'utilisez pas la machine. Contrôlez le câble de commande de la vis sans fin/turbine (voir [Contrôle et réglage du câble de commande de la vis sans fin/turbine \(page 26\)](#)) et réglez-le au besoin. Portez sinon la machine chez un concessionnaire-réparateur Toro agréé pour la faire réviser.

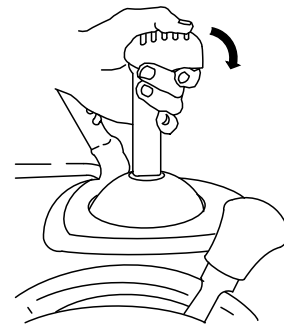
### ⚠ ATTENTION

Si la vis sans fin et la turbine continuent de tourner après que vous avez relâché le levier de commande, vous risquez de vous blesser gravement ou de blesser d'autres personnes.

**N'utilisez pas la machine. Portez-la chez un réparateur Toro agréé pour la faire réviser.**

## Utilisation du levier de commande Quick Stick®

Appuyez de façon continue sur le déclencheur bleu pour utiliser le levier de commande Quick Stick et déplacer la goulotte et son déflecteur. Relâchez le déclencheur pour bloquer la goulotte et le déflecteur en position (Figure 23).



G001014

Figure 23

g001014

## Déplacement de la goulotte

Appuyez de façon continue sur le déclencheur bleu puis déplacez le levier de commande Quick Stick vers la gauche pour orienter la goulotte à gauche, ou vers la droite pour orienter la goulotte à droite (Figure 24).



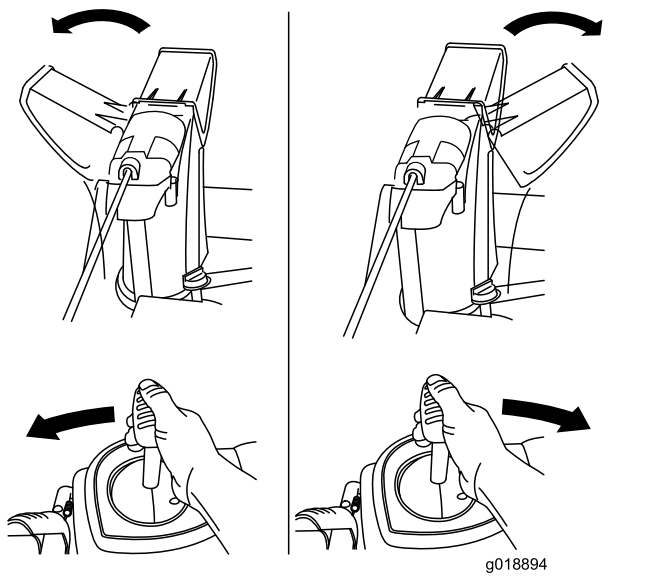


Figure 24

- Si la goulotte ne tourne pas autant à gauche qu'à droite, vérifiez que le câble passe bien à l'intérieur du guidon. Voir [2 Montage de la partie supérieure du guidon \(page 9\)](#).
- Si la goulotte ne bouge pas ou ne se verrouille pas en place quand vous relâchez le déclencheur, vous devez régler le câble du cliquet de verrouillage de la goulotte.

## Déplacement du déflecteur

Appuyez de façon continue sur le déclencheur bleu et déplacez le levier Quick Stick vers l'avant pour abaisser le déflecteur ou vers l'arrière pour l'élever ([Figure 25](#)).

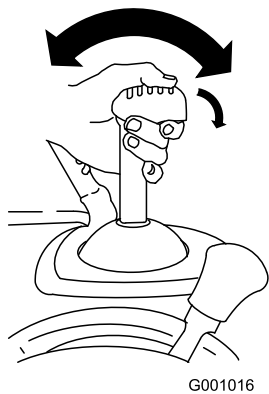


Figure 25

## Dégagement de la goulotte d'éjection

### ⚠ ATTENTION

Si la vis sans fin/turbine fonctionne mais que la neige n'est pas éjectée, la goulotte est peut-être obstruée.

N'utilisez jamais les mains pour éliminer les obstructions de la goulotte. Vous pourriez alors vous blesser.

- Pour déboucher la goulotte, restez à la position d'utilisation et débloquez le levier (de déplacement) gauche. La vis sans fin/turbine étant en marche, appuyez sur les poignées du guidon pour soulever l'avant de la machine de quelques centimètres. Soulevez ensuite les poignées rapidement pour cogner le sol avec l'avant de la machine. Répétez cette procédure au besoin jusqu'à ce que la neige sorte régulièrement par la goulotte.
- S'il est impossible de déboucher la goulotte en cognant l'avant de la machine sur le sol, **coupez le moteur, attendez l'arrêt complet de toutes les pièces mobiles, puis dégagez l'obstruction à l'aide de l'outil de nettoyage ([Figure 13](#))**.

**Important:** Les patins peuvent être déplacés si vous cognez l'avant de la machine sur le sol pour déboucher la goulotte. Réglez les patins et serrez leurs boulons fermement ; voir [Contrôle et réglage des patins et de la lame racleuse \(page 24\)](#).

# Conseils d'utilisation

## **⚠ DANGER**

Quand la machine est en marche, la vis sans fin et la turbine peuvent tourner et sectionner ou blesser les mains et les pieds.

- Avant de régler, nettoyer, contrôler, dépanner ou réparer la machine, coupez le moteur et attendez l'arrêt complet de toutes les pièces mobiles. Retirez la clé et la batterie de la machine pour éviter tout démarrage accidentel de la machine.
- Retirez toute obstruction de la goulotte ; voir [Dégagement de la goulotte d'éjection \(page 21\)](#). Le cas échéant, dégagez la goulotte à l'aide de l'outil de nettoyage, jamais avec la main. [Figure 13](#)
- Restez derrière le guidon et n'approchez pas de l'ouverture d'éjection durant l'utilisation de la machine.
- Gardez le visage, les mains, les pieds et toute autre partie du corps ou les vêtements à distance des pièces cachées, mobiles ou rotatives.

## **⚠ ATTENTION**

Des pierres, des jouets ou d'autres objets peuvent être ramassés et projetés par la turbine et vous blesser gravement ou blesser des personnes à proximité.

- Ne laissez pas d'objets susceptibles d'être ramassés et projetés par la vis sans fin dans la zone à déblayer.
- Tenez les enfants et les animaux domestiques à l'écart de la zone de travail.

Pour un résultat optimal, tenez compte des facteurs suivants :

- Si la machine ralentit sous l'effet d'une charge ou si les roues patinent, sélectionnez une vitesse plus basse ; voir [Utilisation du sélecteur de vitesses \(page 19\)](#).
- Si l'avant de la machine se soulève, sélectionnez une vitesse plus basse. Si l'avant continue de se soulever, soulevez la machine par les poignées.
- Enlevez la neige aussitôt que possible après qu'elle est tombée.
- Poussez la machine en avant en la laissant avancer à son propre rythme.

- Veillez à ce que les bandes déblayées se chevauchent pour bien enlever toute la neige.
- Rejetez toujours la neige de préférence dans le sens du vent.

# Après l'utilisation

## Arrêt de la machine

1. Relâchez le levier de commande de déplacement et celui de la vis sans fin/turbine.
2. Tournez la clé en position ARRÊT et retirez-la du panneau de commande (Figure 12).
3. Enlevez la ou les batteries ; voir [Retrait de la batterie de la machine](#) (page 23).

**Remarque:** Quand vous n'utilisez pas la machine, retirez la ou les batteries de la machine, ainsi que la clé.

**Remarque:** Si le moteur est en marche et tourne au ralenti ou si vous utilisez la machine sans engager la vis sans fin pendant une période prolongée, la temporisation d'arrêt du moteur se déclenche et coupe le moteur. Lorsque la machine s'arrête de cette façon, un signal sonore indique que la temporisation s'est déclenchée.

Pour redémarrer la machine, voir [Démarrage de la machine](#) (page 17).

## Retrait de la batterie de la machine

1. Soulevez le couvercle du compartiment de la batterie.
2. Appuyez sur le verrou de la batterie pour la débloquer et la retirer (Figure 26).

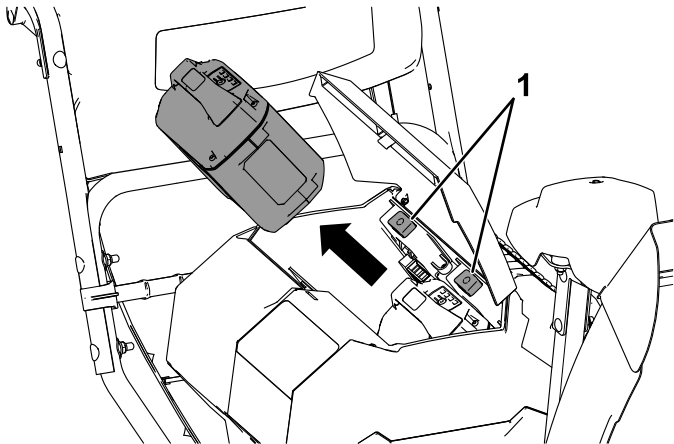


Figure 26

g347853

3. Refermez le couvercle du compartiment de la batterie.

## Prévention du blocage par le gel après utilisation

- Par temps de neige et à basses températures, certaines commandes et pièces mobiles peuvent être bloquées par le gel. **Ne forcez jamais les commandes pour les faire fonctionner lorsqu'elles sont gelées.** Si certaines commandes ou pièces sont difficiles à utiliser, mettez le moteur en marche et laissez-le tourner quelques minutes.
- Après utilisation de la machine, laissez le moteur tourner quelques minutes pour éviter que les pièces mobiles ne soient bloquées par le gel. Engagez la vis sans fin/turbine pour évacuer toute la neige encore présente dans le carter. Tournez le levier Quick Stick pour l'empêcher d'être bloqué par le gel. Coupez le moteur, attendez l'arrêt de toutes les pièces mobiles, retirez la clé et la batterie, et enlevez la glace et la neige qui se trouvent sur la machine.
- Enlevez la neige et la glace accumulées au bas de la goulotte.
- Tournez la goulotte à droite et à gauche pour la dégager de la glace accumulée.

# Entretien

## Programme d'entretien recommandé

Périodicité d'entretien	Procédure d'entretien
Après les 2 premières heures de fonctionnement	<ul style="list-style-type: none"><li>• Contrôlez et réglez le câble de commande de déplacement au besoin.</li><li>• Contrôlez et réglez le câble de commande de la vis sans fin/turbine au besoin.</li></ul>
Une fois par an	<ul style="list-style-type: none"><li>• Contrôlez les patins et la lame racleuse et réglez-les au besoin</li><li>• Contrôlez le câble de commande de déplacement et réglez-le ou remplacez-le au besoin</li><li>• Contrôlez le câble de commande de la vis sans fin/turbine et réglez-le ou remplacez-le au besoin.</li><li>• Contrôlez le niveau d'huile dans le boîtier d'engrenages de la vis sans fin et faites l'appoint au besoin.</li><li>• Graissez l'arbre hexagonal.</li></ul>
Une fois par an ou avant le remisage	<ul style="list-style-type: none"><li>• Vérifiez la pression des pneus et gonflez-les entre 1,16 et 1,37 bar.</li><li>• Demandez à un réparateur agréé de contrôler et de remplacer la courroie de transmission et/ou la courroie d'entraînement de la vis sans fin/turbine le cas échéant.</li></ul>

## Préparation à l'entretien

1. Amenez la machine sur une surface plane et horizontale.
2. Arrêtez la machine, enlevez la clé de démarrage électrique, attendez l'arrêt complet de toutes les pièces mobiles et retirez la batterie de la machine avant de régler, réviser, nettoyer ou remiser la machine.

## Contrôle et réglage des patins et de la lame racleuse

**Périodicité des entretiens:** Une fois par an—Contrôlez les patins et la lame racleuse et réglez-les au besoin

Contrôlez les patins et la lame racleuse pour vérifier que la vis sans fin ne touche pas le sol. Réglez les patins et la lame racleuse selon les besoins pour compenser l'usure.

1. Contrôlez la pression des pneus ; voir [7 Contrôle de la pression des pneus \(page 13\)](#).
2. Desserrez les écrous qui fixent les deux patins aux côtés de la vis sans fin jusqu'à ce que les patins puissent coulisser aisément vers le haut et vers le bas.

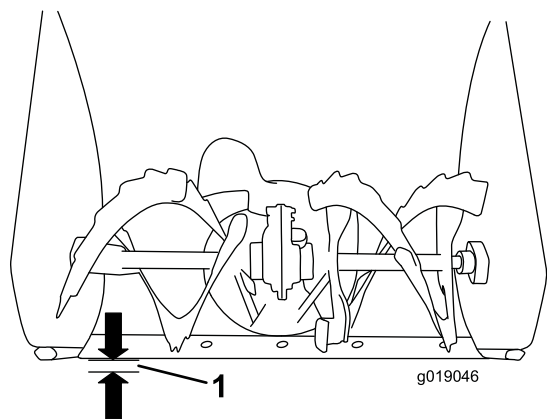


Figure 27

1. 3 mm

**Important:** Les patins doivent supporter les lames de la vis sans fin au-dessus du sol.

3. Vérifiez que la lame racleuse est bien parallèle et à 3 mm de la surface du sol.

**Remarque:** Si le sol est fissuré, inégal ou irrégulier, réglez les patins de manière à élever la lame racleuse. Sur les graviers, réglez les patins plus bas pour éviter que la machine ne ramasse des cailloux.

4. Abaissez les patins jusqu'à ce qu'ils soient de niveau avec le sol.
5. Serrez fermement les écrous qui fixent les patins aux côtés de la vis sans fin.

**Remarque:** Pour régler rapidement les patins s'ils sont desserrés, supportez la lame racleuse à 3 mm du sol, puis rapprochez les patins du sol.

**Remarque:** Si les patins sont excessivement usés, vous pouvez les retourner et les régler pour vous servir du côté intact.

## Contrôle et réglage du câble de commande de déplacement

**Périodicité des entretiens:** Après les 2 premières heures de fonctionnement—Contrôlez et réglez le câble de commande de déplacement au besoin.

Une fois par an—Contrôlez le câble de commande de déplacement et réglez-le ou remplacez-le au besoin

Si la machine ne se déplace pas en marche avant ou arrière, ou si elle se déplace quand vous relâchez le

levier de commande de déplacement, réglez le câble de commande de déplacement.

Si le câble de commande de déplacement gauche est mal réglé, procédez comme suit :

1. Desserrez l'écrou de blocage.
2. Engagez le levier de commande de déplacement et maintenez-le en place (Figure 28).

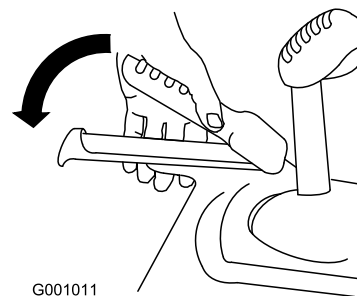


Figure 28

3. Desserrez ou serrez le tendeur pour régler la longueur du ressort à 5,5 cm, comme montré à la Figure 29.

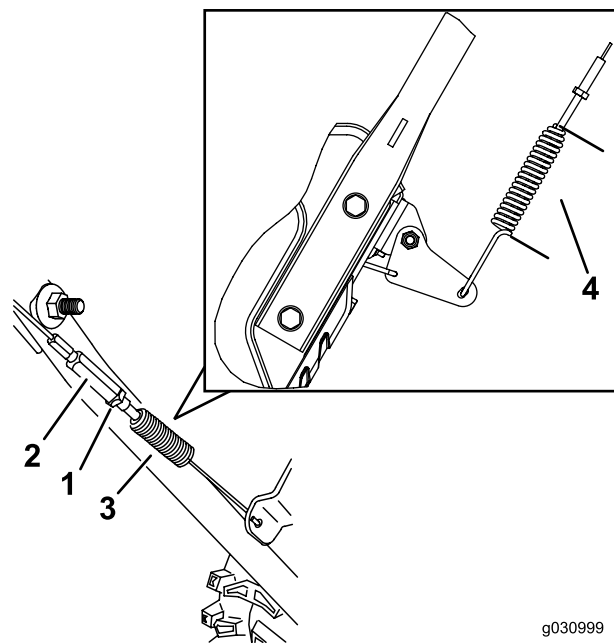


Figure 29

- |                     |            |
|---------------------|------------|
| 1. Écrou de blocage | 3. Ressort |
| 2. Tendeur          | 4. 5,5 cm  |

4. Serrez l'écrou de blocage (Figure 29) en vérifiant que le câble est légèrement tendu.
5. Si le câble de déplacement est correctement réglé mais qu'un problème subsiste, contactez un réparateur agréé.

# Contrôle et réglage du câble de commande de la vis sans fin/turbine

**Périodicité des entretiens:** Après les 2 premières heures de fonctionnement—Contrôlez et réglez le câble de commande de la vis sans fin/turbine au besoin.

Une fois par an—Contrôlez le câble de commande de la vis sans fin/turbine et réglez-le ou remplacez-le au besoin.

1. Desserrez l'écrou de blocage (Figure 31).
2. Engagez le levier de la vis sans fin/turbine et maintenez-le en place (Figure 30).

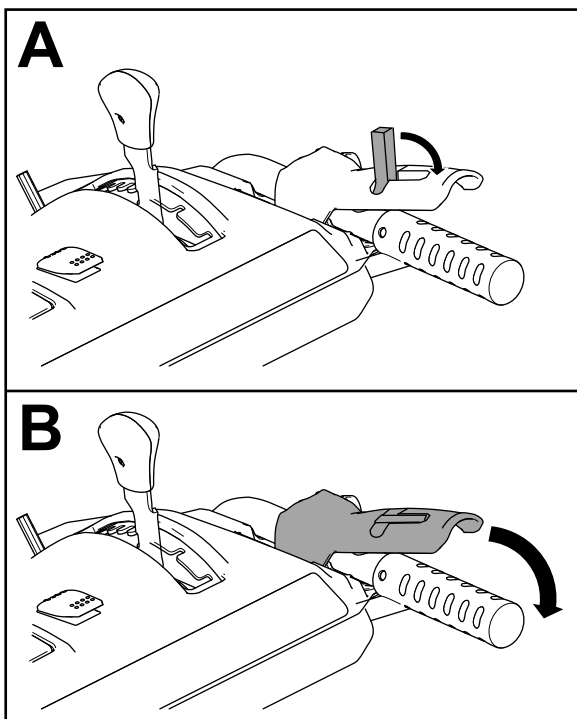


Figure 30

g360687

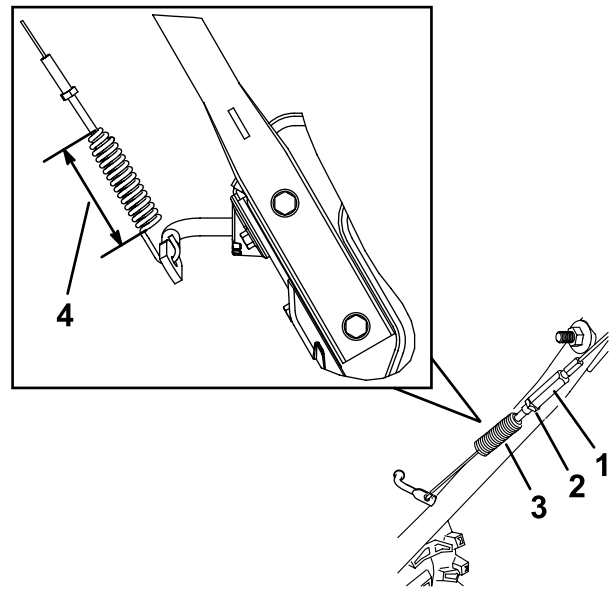


Figure 31

g371834

1. Tendeur
  2. Écrou de blocage
  3. Ressort
  4. 6,6 cm quand le levier de la vis sans fin/turbine est maintenu abaissé.
- 
4. Serrez l'écrou de blocage (Figure 31) en vérifiant que le câble est légèrement tendu.
  5. Mettez le moteur en marche et essayez d'engager l'entraînement de la vis sans fin/turbine sans déplacer le commutateur de verrouillage vers l'arrière ; si la vis sans fin tourne, desserrez le tendeur de sorte qu'elle ne s'engage pas.
  6. Si le câble de commande de la vis sans fin/turbine est correctement réglé mais qu'un problème subsiste, contactez un concessionnaire-réparateur agréé.

3. Desserrez ou serrez le tendeur pour régler la longueur du ressort à 6,6 cm, comme montré à la Figure 31.

# Contrôle du niveau d'huile dans le boîtier d'engrenages de la vis sans fin

**Périodicité des entretiens:** Une fois par an—Contrôlez le niveau d'huile dans le boîtier d'engrenages de la vis sans fin et faites l'appoint au besoin.

1. Amenez la machine sur une surface plane et horizontale.
2. Nettoyez la surface autour du bouchon de tuyau (Figure 32).

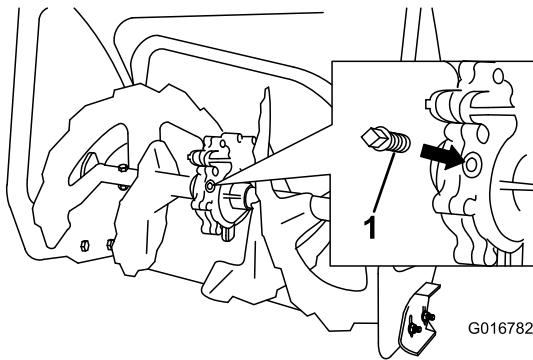


Figure 32

1. Obturateur de tuyau

3. Retirez le bouchon de tuyau du boîtier d'engrenages.
4. Vérifiez le niveau d'huile dans le boîtier d'engrenages. Le niveau d'huile doit se situer à 9,5 mm en dessous de l'orifice de remplissage.
5. Si le niveau est insuffisant, ajoutez de l'huile pour engrenages GL-5 ou GL-6, SAE 80-90 EP dans le boîtier d'engrenages jusqu'à ce que le niveau se trouve à 9,5 mm en dessous de l'orifice de remplissage.

**Remarque:** N'utilisez pas d'huile synthétique.

6. Remettez le bouchon de tuyau dans le boîtier d'engrenages.

## Graissage de l'arbre hexagonal

**Périodicité des entretiens:** Une fois par an—Graissez l'arbre hexagonal.

Graissez légèrement l'arbre hexagonal une fois par an avec de l'huile moteur de type automobile (Figure 33).

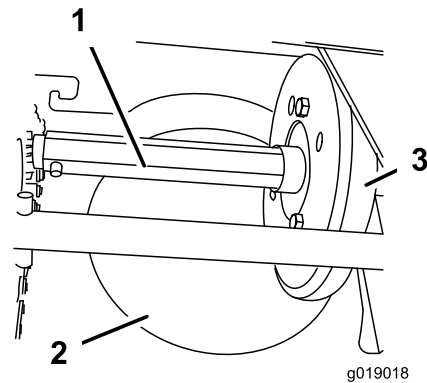


Figure 33

1. Arbre hexagonal
2. Poulie à friction en acier
3. Roue de caoutchouc

**Important:** Veillez à ne pas faire couler d'huile sur la roue en caoutchouc ou la poulie à friction en acier, sinon la transmission patinera (Figure 33).

1. Vidangez le réservoir de carburant.
2. Basculez la machine en avant sur le carter de la vis sans fin et calez-la pour qu'elle ne puisse pas tomber.
3. Déposez le couvercle arrière (Figure 34).

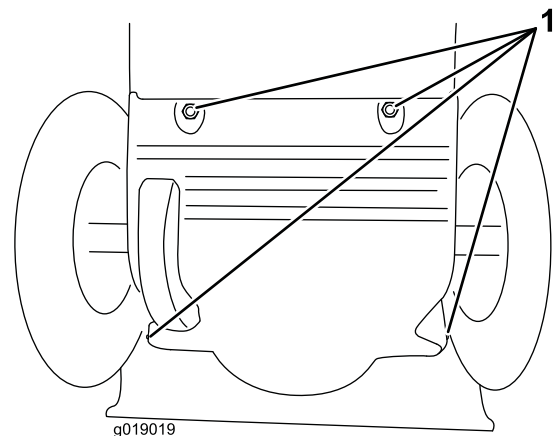


Figure 34

1. Vis
4. Placez le sélecteur de vitesses à la position R2.
5. Graissez **légèrement** l'arbre hexagonal à l'aide de votre doigt plongé dans l'huile moteur.
6. Placez le sélecteur de vitesses à la position 6.
7. Lubrifiez l'autre extrémité de l'arbre hexagonal.
8. Déplacez le sélecteur de vitesses en avant et en arrière à plusieurs reprises.
9. Posez le couvercle arrière et redressez la machine en position normale.

# Remplacement des courroies d'entraînement

Si la courroie d'entraînement de la vis sans fin/turbine ou la courroie de transmission est usée, imbibée d'huile ou autrement endommagée, demandez à un réparateur agréé de remplacer la courroie.

# Remisage

## Remisage de la machine

**Important:** Remisez la machine, la batterie et le chargeur uniquement à des températures comprises dans la plage adéquate ; voir [Caractéristiques techniques \(page 16\)](#).

**Important:** Si vous remisez la batterie à la fin de la saison, chargez-la jusqu'à ce que 2 ou 3 de ses diodes soient vertes. Ne remisez pas une batterie complètement chargée ou complètement déchargée. Avant de remettre la machine en service, chargez la batterie jusqu'à ce que le voyant gauche du chargeur devienne vert ou que les 4 diodes de la batterie deviennent vertes.

- Débranchez la machine de l'alimentation (autrement dit, débranchez la prise du secteur ou de la batterie), retirez la clé et recherchez tout dommage éventuel après utilisation.
- Débarrassez la machine des corps étrangers.
- Ne rangez pas la machine en laissant la batterie dessus.
- Lorsque vous n'utilisez pas la machine, rangez-la, ainsi que la batterie, la clé et le chargeur de batterie, hors de la portée des enfants.
- Rangez la machine, la batterie, la clé et le chargeur à l'écart des agents corrosifs, tels que produits chimiques de jardinage et sels de dégivrage.
- Pour réduire les risques de blessures graves, ne rangez pas la batterie à l'extérieur ou dans un véhicule.
- Retouchez les surfaces écaillées avec une peinture en vente chez un concessionnaire agréé. Poncez les zones abîmées avant de les peindre et utilisez un produit antirouille pour prévenir la corrosion des parties métalliques.
- Resserrez toutes les vis, tous les boulons et tous les contre-écrous qui en ont besoin. Réparez ou remplacez les pièces endommagées.
- Rangez la machine, la batterie, la clé et le chargeur dans un local fermé, propre et sec.

## Préparation de la batterie au recyclage

**Important:** Après avoir retiré la batterie de la machine, recouvrez les bornes de ruban adhésif épais. N'essayez pas de détruire ou de démonter la batterie ni de déposer aucun de ses composants.



Contactez votre municipalité ou votre distributeur Toro autorisé pour plus savoir comment recycler la batterie de manière responsable.

# Dépistage des défauts

Problème	Cause possible	Mesure corrective
La machine ne fonctionne pas ou fonctionne par intermittence.	<ol style="list-style-type: none"> <li>1. La temporisation d'arrêt du moteur a expiré car la vis sans fin n'a pas été engagée pendant une période prolongée.</li> <li>2. La clé a été tournée trop rapidement de la position ARRÊT à la position CONTACT.</li> <li>3. La batterie n'est pas suffisamment chargée.</li> <li>4. La batterie n'est pas bien enclenchée.</li> <li>5. La température de la batterie est supérieure ou inférieure à la plage de température appropriée.</li> <li>6. La batterie a dépassé les limites supérieures d'intensité.</li> <li>7. Les fils de la batterie sont couverts d'humidité.</li> <li>8. La batterie est endommagée.</li> <li>9. La machine présente un autre problème électrique.</li> </ol>	<ol style="list-style-type: none"> <li>1. Aucun problème, redémarrez la machine. La machine émet un bip pour indiquer que le délai d'expiration de la temporisation d'arrêt du moteur est atteint.</li> <li>2. Tournez la clé plus lentement et veillez à l'arrêter brièvement à la position intermédiaire ACCESSOIRE.</li> <li>3. Chargez la batterie.</li> <li>4. Insérez la batterie tout au fond de son logement.</li> <li>5. Placez la batterie dans un endroit sec où la température est comprise entre 5 et 40 °C.</li> <li>6. Relâchez la gâchette, puis appuyez de nouveau dessus.</li> <li>7. Laissez sécher ou essuyez la batterie.</li> <li>8. Remplacez la batterie.</li> <li>9. Contactez un concessionnaire-réparateur agréé.</li> </ol>
La machine n'atteint pas sa pleine puissance.	<ol style="list-style-type: none"> <li>1. La capacité de charge de la batterie est insuffisante.</li> <li>2. Les événements sont bouchés.</li> </ol>	<ol style="list-style-type: none"> <li>1. Enlevez la batterie de la machine et chargez-la au maximum.</li> <li>2. Nettoyez les événements.</li> </ol>
La machine émet un bip sonore.	<ol style="list-style-type: none"> <li>1. La temporisation d'arrêt du moteur a expiré car la vis sans fin n'a pas été engagée pendant une période prolongée.</li> <li>2. La batterie n'est pas suffisamment chargée.</li> <li>3. La machine est surchargée.</li> <li>4. La machine présente un autre problème électrique.</li> </ol>	<ol style="list-style-type: none"> <li>1. Aucun problème, redémarrez la machine. La machine émet un bip pour indiquer que le délai d'expiration de la temporisation d'arrêt du moteur est atteint.</li> <li>2. Chargez la batterie.</li> <li>3. Avancez plus lentement lorsque vous débroyez la neige ou que brisez un gros tas de neige avant de le dégager.</li> <li>4. Essayez les autres solutions de dépannage ; si l'alarme continue de retentir, contactez un concessionnaire-réparateur agréé.</li> </ol>

Problème	Cause possible	Mesure corrective
Le moteur tourne mais la machine éjecte mal la neige ou pas du tout.	<ol style="list-style-type: none"> <li>1. La machine se déplace trop rapidement pour déneiger correctement.</li> <li>2. Vous tentez de déblayer une quantité de neige trop importante par bande.</li> <li>3. Vous tentez de déblayer de la neige très lourde ou très mouillée.</li> <li>4. La goulotte est bouchée.</li> <li>5. La courroie de la vis sans fin/turbine est détendue ou ne se trouve plus sur la poulie.</li> <li>6. La courroie de la vis sans fin/turbine est usée ou cassée.</li> </ol>	<ol style="list-style-type: none"> <li>1. Sélectionnez un rapport inférieur.</li> <li>2. Réduisez la quantité de neige déblayée par bande.</li> <li>3. Ne surchargez pas la machine avec de la neige très lourde ou mouillée.</li> <li>4. Dégagez la goulotte.</li> <li>5. Montez et/ou réglez la courroie d'entraînement de la vis sans fin/turbine. Consultez le site <a href="http://www.Toro.com">www.Toro.com</a> pour plus d'informations sur l'entretien ou portez la machine chez un concessionnaire-réparateur agréé.</li> <li>6. Remplacez la courroie d'entraînement de la vis sans fin/turbine. Consultez le site <a href="http://www.Toro.com">www.Toro.com</a> pour plus d'informations sur l'entretien ou portez la machine chez un concessionnaire-réparateur agréé.</li> </ol>
La goulotte ne se verrouille pas en place ou ne bouge pas.	<ol style="list-style-type: none"> <li>1. Le câble du cliquet de verrouillage de la goulotte n'est pas réglé correctement.</li> </ol>	<ol style="list-style-type: none"> <li>1. Réglez la câble du cliquet de verrouillage de la goulotte.</li> </ol>
La machine ne déblaye pas correctement la neige.	<ol style="list-style-type: none"> <li>1. Les patins et/ou la lame racleuse sont mal réglés.</li> <li>2. Les pneus ne sont pas gonflés à la même pression.</li> </ol>	<ol style="list-style-type: none"> <li>1. Réglez les patins et/ou la lame racleuse.</li> <li>2. Contrôlez et ajustez la pression de l'un ou des deux pneus.</li> </ol>
La batterie se décharge rapidement.	<ol style="list-style-type: none"> <li>1. La température de la batterie est supérieure ou inférieure à la plage de température appropriée.</li> <li>2. La machine est surchargée.</li> </ol>	<ol style="list-style-type: none"> <li>1. Placez la batterie dans un endroit sec où la température est comprise entre 5 et 40 °C.</li> <li>2. Poussez la machine moins fort.</li> </ol>
Le chargeur de batterie ne fonctionne pas.	<ol style="list-style-type: none"> <li>1. La température du chargeur est supérieure ou inférieure à la plage de température adéquate.</li> <li>2. La prise sur laquelle le chargeur est branché n'est pas sous tension.</li> </ol>	<ol style="list-style-type: none"> <li>1. Débranchez le chargeur et placez-le dans un endroit sec où la température est comprise entre 5 et 40 °C.</li> <li>2. Demandez à un électricien qualifié de réparer la prise.</li> </ol>
Le voyant du chargeur de batterie est rouge.	<ol style="list-style-type: none"> <li>1. La température du chargeur et/ou de la batterie est supérieure ou inférieure à la plage de température adéquate.</li> </ol>	<ol style="list-style-type: none"> <li>1. Débranchez le chargeur et placez-le, ainsi que la batterie, dans un endroit sec où la température est comprise entre 5 et 40 °C.</li> </ol>
Le voyant du chargeur de batterie clignote en rouge.	<ol style="list-style-type: none"> <li>1. Une erreur de communication s'est produite entre la batterie et le chargeur.</li> <li>2. La batterie est faible.</li> </ol>	<ol style="list-style-type: none"> <li>1. Retirez la batterie du chargeur, débranchez le chargeur du secteur et patientez 10 secondes. Rebranchez le chargeur sur le secteur et insérez la batterie dans le chargeur. Si le voyant du chargeur clignote encore en rouge, répétez cette procédure. Si le voyant du chargeur clignote encore en rouge après 2 tentatives, mettez la batterie au rebut correctement dans un centre de recyclage de batteries.</li> <li>2. Contactez votre concessionnaire-réparateur agréé si la batterie est sous garantie, ou mettez la batterie au rebut correctement dans un centre de recyclage de batteries.</li> </ol>

## **Déclaration de confidentialité EEE/R-U**

### **Utilisation de vos données personnelles par Toro**

La société The Toro Company (« Toro ») respecte votre vie privée. Lorsque vous achetez nos produits, nous pouvons recueillir certaines données personnelles vous concernant, soit directement soit par l'intermédiaire de votre société ou concessionnaire Toro local(e). Toro utilise ces données pour s'acquitter d'obligations contractuelles, par exemple pour enregistrer votre garantie, traiter une réclamation au titre de la garantie ou vous contacter dans l'éventualité d'un rappel de produit, mais aussi à des fins commerciales légitimes, par exemple pour mesurer la satisfaction des clients, améliorer nos produits ou vous transmettre des informations sur les produits susceptibles de vous intéresser. Toro pourra partager les données personnelles que vous lui aurez communiquées avec ses filiales, concessionnaires ou autres partenaires commerciaux dans le cadre de ces activités. Nous pourrions aussi être amenés à divulguer des données personnelles si la loi l'exige ou dans le cadre de la cession, de l'acquisition ou de la fusion d'une société. Nous ne vendrons jamais vos données personnelles à aucune autre société aux fins de marketing.

### **Conservation de vos données personnelles**

Toro conservera vos données à caractère personnel aussi longtemps que nécessaire pour répondre aux fins susmentionnées et conformément aux dispositions légales applicables. Pour plus de renseignements concernant les durées de conservation applicables, veuillez contacter [legal@toro.com](mailto:legal@toro.com).

### **L'engagement de Toro en matière de sécurité**

Vos données personnelles pourront être traitées aux États-Unis ou dans tout autre pays où la législation concernant la protection des données peut être moins rigoureuse que celle de votre propre pays de résidence. Chaque fois que nous transférerons vos données personnelles hors de votre pays de résidence, nous prendrons toutes les dispositions légales requises pour mettre en place toutes les garanties nécessaires visant à la protection et au traitement sécurisé de vos données.

### **Droits d'accès et de rectification**

Vous pouvez être en droit de corriger ou de consulter vos données personnelles, ou encore de vous opposer au traitement de vos données, ou d'en limiter la portée. Pour ce faire, veuillez nous contacter par courriel à [legal@toro.com](mailto:legal@toro.com). Si vous avez la moindre inquiétude concernant la manière dont Toro a traité vos données personnelles, nous vous encourageons à nous en faire part directement. Veuillez noter que les résidents européens ont le droit de porter plainte auprès de leur Autorité de protection des données.



# Power Max® e26 60 V sneeuwruimer

Modelnr.: 31875—Serienr.: 40000000 en hoger

Gebruikershandleiding

## Inleiding

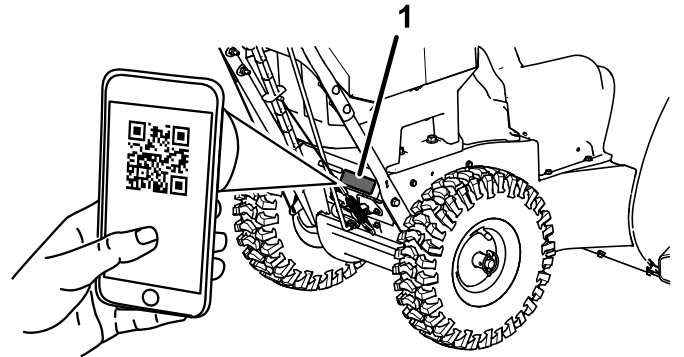
Deze machine is bedoeld voor gebruik door particulieren. De sneeuwrees is in de eerste plaats ontworpen om sneeuw te verwijderen van verharde ondergronden, zoals opritten, stoepen en andere oppervlakken op privaat of commercieel terrein. Het apparaat gebruikt Toro 60V lithium-ion accu's. Deze accu's mogen alleen worden opgeladen met een Toro 60V lithium-ion acculader. Deze producten gebruiken voor andere doeleinden dan het bedoelde gebruik kan gevaarlijk zijn voor u of voor omstanders.

Lees deze informatie zorgvuldig door om te leren hoe u uw product correct moet bedienen en onderhouden en om letsel en schade te voorkomen. U bent verantwoordelijk voor het correct en veilig gebruik van uw product.

Ga naar [www.Toro.com](http://www.Toro.com) voor documentatie over productveiligheid en bedieningsinstructies, informatie over accessoires, hulp bij het vinden van een dealer of om uw product te registreren.

Als u service, originele Toro-onderdelen of aanvullende informatie nodig hebt, kunt u contact opnemen met een erkende Service Dealer of met de klantenservice van Toro. U dient hierbij altijd het modelnummer en het serienummer van het product te vermelden. [Figuur 1](#) identificeert de locatie van het model en de serienummers op het product. U kunt de nummers noteren in de ruimte hieronder.

**Belangrijk:** U kunt met uw mobiel apparaat de QR-code op het plaatje met het serienummer (indien aanwezig) scannen om toegang te krijgen tot de garantie, onderdelen en andere productinformatie.



g397375

**Figuur 1**

1. Model, serienummer, en plaats van de QR-code

Modelnr.: \_\_\_\_\_

Serienr.: \_\_\_\_\_



# Waarschuwingssymbool

Het waarschuwingssymbool (Figuur 1) in deze handleiding en op de machine geeft belangrijke veiligheidsinformatie aan die u moet opvolgen om ongelukken te voorkomen.



**Figuur 2**  
Veiligheidssymbool

g000502

Het waarschuwingssymbool staat boven informatie die u waarschuwt voor onveilige acties of situaties en wordt gevolgd door het woord **GEVAAR**, **WAARSCHUWING**, of **VOORZICHTIG**.

**GEVAAR:** een direct gevaarlijke situatie die, als deze niet wordt voorkomen, **altijd zal leiden** tot de dood of ernstig letsel.

**WAARSCHUWING:** een mogelijk gevaarlijke situatie die, als deze niet wordt voorkomen, **kan leiden** tot de dood of ernstig letsel.

**VOORZICHTIG:** een mogelijk gevaarlijke situatie die, als deze niet wordt voorkomen, **kan leiden** tot licht of middelmatig letsel.

Er worden in deze handleiding nog twee woorden gebruikt om uw aandacht op bijzondere informatie te vestigen. **Belangrijk** attendeert u op bijzondere technische informatie en **Opmerking** duidt algemene informatie aan die bijzondere aandacht verdient.

Dit product voldoet aan alle relevante Europese normen; raadpleeg voor meer informatie de afzonderlijke conformiteitsverklaring van dit product.

# Inhoud

Inleiding .....	1
Waarschuwingssymbool .....	2
Veiligheid .....	3
Veiligheids- en instructiestickers .....	6
Montage .....	9
1 De acculader monteren (optioneel) .....	9
2 De bovenste handgreep bevestigen .....	9
3 Monteren van het uitwerpkanaal .....	10
4 Monteren van het tractie-verbinding .....	10
5 De bedieningsstang van het uitwerpkanaal monteren .....	11
6 Monteren van het gereedschap om sneeuwverstoppen te verwijderen .....	12
7 Bandenspanning controleren .....	13
8 De glijders en de schraper controleren .....	14
9 De werking van de tractieaandrijving controleren .....	14
Algemeen overzicht van de machine .....	15
Specificaties .....	16
Werktuigen/accessoires .....	16
Gebruiksaanwijzing .....	16
Voor gebruik .....	16
Het accupack monteren .....	16
De laadstatus controleren .....	17
Tijdens gebruik .....	17
De machine starten .....	17
ECO-modus inschakelen .....	17
Het accupack opladen .....	18
Bediening van de tractieaandrijving .....	19
De snelheidskeuzehendel bedienen .....	19
De wormas/impeller bedienen .....	19
De Quick Stick® bedienen .....	20
Een verstopt uitwerpkanaal vrijmaken .....	21
Tips voor bediening en gebruik .....	21
Na gebruik .....	22
De machine uitschakelen .....	22
Het accupack uit de machine verwijderen .....	22
Bevriezing na gebruik voorkomen .....	22
Onderhoud .....	23
Aanbevolen onderhoudsschema .....	23
Vóór onderhoudswerkzaamheden .....	23
De glijders en de schraper controleren en afstellen .....	23
De tractiekabel controleren en afstellen .....	24
De kabel van de wormas/impeller controleren en afstellen .....	25
Het oliepeil in de tandwielkast van de wormas controleren .....	26
Smeren van de zeshoekige as .....	26
De aandrijfriemen vervangen .....	27
Stalling .....	27
De machine stallen .....	27
Problemen, oorzaak en remedie .....	29

# Veiligheid

WAARSCHUWING – Wanneer u een elektrische machine gebruikt, lees dan altijd de basis veiligheidswaarschuwingen en -instructies en volg deze op om het risico op brand, elektrische schok of letsel te beperken. Hieronder volgen enkele veiligheidswaarschuwingen en -instructies:

## LEES ALLE INSTRUCTIES

WAARSCHUWING – Als u een elektrisch apparaat gebruikt, moet u te allen tijde algemene voorzorgen nemen; om brandgevaar te vermijden en het risico op elektrische schokken en lichamelijk letsel te verkleinen dient u de volgende maatregelen te nemen:

### I. Training

1. De bestuurder van de machine is verantwoordelijk voor ongevallen of schade aan andere personen of hun eigendommen.
2. Lees deze *Gebruikershandleiding* en zorg ervoor dat u deze begrijpt voordat u de machine start. Zorg dat iedereen die de machine bedient de waarschuwingen begrijpt en weet hoe de machine te gebruiken en snel uit te schakelen.
3. Laat kinderen niet spelen met de machine, het accupack of de acculader of laat hen deze niet gebruiken; plaatselijke voorschriften kunnen nadere eisen stellen aan de leeftijd van degene die met het toestel werkt.
4. Laat kinderen of personen die geen instructie hebben ontvangen dit apparaat niet gebruiken of er onderhoudswerkzaamheden aan verrichten. Laat enkel mensen die verantwoordelijk en getraind zijn en die bovendien vertrouwd zijn met de instructies en fysiek ertoe in staat zijn het apparaat bedienen of er onderhoudswerkzaamheden aan verrichten.
5. Lees alle instructies en waarschuwingen op deze producten voordat u de machine, het accupack en de acculader gebruikt.
6. Word vertrouwd met de bedieningsorganen en het juiste gebruik van de machine, het accupack en de acculader.

### II. Vóór ingebruikname

1. Hou omstanders en kinderen uit de buurt van het werkgebied.
2. Laat kinderen nooit de machine bedienen.
3. Gebruik de machine enkel als de nodige schermen en beveiligingsmiddelen op de machine aanwezig zijn en naar behoren werken.
4. Controleer het werkgebied en verwijder alle voorwerpen die het gebruik van de machine

zouden kunnen hinderen of die de machine zou kunnen uitwerpen.

5. Gebruik enkel het accupack dat door Toro wordt gespecificeerd. Indien u andere accessoires en werktuigen gebruikt, kan dit het risico op letsel en brand verhogen.
6. Het aansluiten van de acculader op een stopcontact met een spanning anders dan 100 tot 240 V kan leiden tot brand of een elektrische schok. Sluit de acculader enkel aan op stopcontacten van 100 tot 240 V.
7. Gebruik geen beschadigd of aangepast accupack of beschadigde of aangepaste acculader. Deze kunnen onverwacht gedrag vertonen, wat kan leiden tot brand, explosie of lichamelijk letsel.
8. Als het stroomsnoer van de acculader beschadigd is, neem dan contact op met een erkende servicedealer om het te vervangen.
9. Laad het accupack enkel op met de acculader die door Toro is gespecificeerd. Een lader die geschikt is voor het ene type accupack kan in combinatie met een ander accupack voor brandgevaar zorgen.
10. Laad het accupack alleen op in een goed verluchte ruimte.
11. Volg alle instructies aangaande het laden en laad het accupack niet op buiten het temperatuurbereik dat wordt gespecificeerd in de instructies. Anders kunt u het accupack beschadigen en het risico op brand verhogen.
12. Draag gepaste kleding – Draag geschikte kleding en uitrusting, zoals oogbescherming, een lange broek, stevige schoenen met een gripvaste zool en gehoorbescherming. Draag lang haar niet los en draag geen losse kleren of juwelen die gegrepen kunnen worden door bewegende onderdelen.

### III. Bediening

1. Contact met een bewegende rotor veroorzaakt ernstig letsel. Houd uw handen en voeten uit de buurt van alle bewegende onderdelen van de machine. Blijf altijd uit de buurt van afvoeropeningen.
2. Loop achter de handgrepen en blijf uit de buurt van de uitwerpopening als u de machine gebruikt.
3. Deze machine gebruiken voor andere doeleinden dan waarvoor zij bedoeld is, kan gevaarlijk zijn voor u en voor omstanders.
4. Voorkom dat u de machine ongewild start – Zorg ervoor dat de sleutel voor elektrische start is

- verwijderd van de contactschakelaar voordat u het accupack aansluit en de machine hanteert.
5. Geef uw volledige aandacht als u de machine gebruikt. Zorg ervoor dat u met niets anders bezig bent waardoor u kunt worden afgeleid, anders kan er letsel ontstaan of kan eigendom worden beschadigd.
  6. Schakel alle koppelingen uit en zet de versnelling in de neutraalstand voordat u de machine start.
  7. Stop de machine, verwijder de sleutel voor elektrische start, verwijder het accupack van de machine en wacht totdat alle bewegende onderdelen tot stilstand zijn gekomen voordat u de machine afstelt, er servicewerkzaamheden aan verricht, de machine schoonmaakt of stalt.
  8. Verwijder het accupack en de sleutel voor elektrische start van de machine wanneer u deze onbeheerd achterlaat of voordat u de accessoires verandert.
  9. Forceer de machine niet – De machine doet het werk beter en veiliger in het tempo waarvoor ze bedoeld is.
  10. Blijf alert – Let op wat u doet en gebruik uw gezond verstand wanneer u de machine gebruikt. Gebruik de machine niet als u ziek of moe bent of onder de invloed van alcohol of drugs bent.
  11. Gebruik de machine enkel bij een goede zichtbaarheid en in geschikte weersomstandigheden.
  12. Ga voorzichtig te werk als u de machine omkeert of naar u toe trekt.
  13. Zorg dat u te allen tijde stevig en evenwichtig staat, vooral op hellingen. Ga zeer zorgvuldig te werk als u van richting verandert op een helling. Gebruik de machine niet op extreem steile hellingen. Loop; ren nooit met de machine.
  14. Wanneer u niet actief sneeuw aan het ruimen bent, schakelt u de aandrijving van de wormas uit.
  15. Het materiaal dat afgevoerd wordt niet naar iemand richten. Voorkom het afvoeren van materiaal tegen een muur of afscherming; het materiaal kan naar u terugketsen. Zet de machine stil bij het oversteken van grindoppervlakken.
  16. Wees uiterst voorzichtig bij het werken met de machine op of het kruisen van grindpaden, voetpaden of wegen. Hou rekening met onverwachte gevaren en verkeer.
  17. Als de machine een voorwerp raakt of begint te trillen, schakel de machine dan onmiddellijk uit, verwijder het sleuteltje, verwijder het accupack en wacht totdat alle bewegende onderdelen tot stilstand zijn gekomen voordat u de machine controleert op beschadiging. Voer alle noodzakelijke reparaties uit voordat u de machine weer in gebruik neemt.
  18. Schakel de machine altijd uit wanneer u de bestuurderspositie om wat voor reden ook verlaat.
  19. Schakel de machine uit en verwijder het sleuteltje voordat u verstoppingen probeert te verwijderen, en gebruik hierbij altijd een stok of gereedschap.
  20. Schakel de machine uit en verwijder de sleuteltje voor elektrische start voordat u de machine inlaadt voor transport.
  21. Gebruik de machine nooit met een hoge snelheid op gladde ondergrond.
  22. Bij verkeerd gebruik kan vloeistof uit het accupack lekken; vermijd contact hiermee. Als u per ongeluk in contact komt met de vloeistof, moet u spoelen met water. Als de vloeistof in uw ogen terechtkomt, moet u naar een arts gaan. Vloeistof die uit de accu ontsnapt, kan irritatie van de huid of brandwonden veroorzaken.
  23. Stel een accupack of gereedschap niet bloot aan brand of een extreme temperatuur. Blootstelling aan brand of een temperatuur boven 130 °C kan een explosie veroorzaken.
  24. OPGELET – Een verkeerd behandeld accupack kan brand of chemische brandwonden veroorzaken.
    - Demonteer de accu niet.
    - Vervang de accu alleen door een originele Toro-accu, toepassing van een andere soort accu kan leiden tot brand of letsel.
    - Hou accupacks buiten het bereik van kinderen en in de originele verpakking totdat u ze gaat gebruiken.

#### **IV. Onderhoud en opslag**

1. Schakel de machine uit, verwijder de sleutel voor elektrische start, verwijder de accu('s) van de machine en wacht totdat alle bewegende onderdelen tot stilstand zijn gekomen voordat u de machine afstelt, er servicewerkzaamheden aan verricht, de machine schoonmaakt of stalt.
2. Probeer de machine niet te herstellen behalve als dit aangegeven is in de instructies. Laat een erkende servicedealer servicewerkzaamheden uitvoeren aan de machine en zorg ervoor dat hij/zij identieke vervangingsonderdelen gebruikt.
3. Draag handschoenen en oogbescherming wanneer u servicewerkzaamheden verricht.
4. Wanneer u servicewerkzaamheden uitvoert aan de rotor, moet u eraan denken dat het mes nog



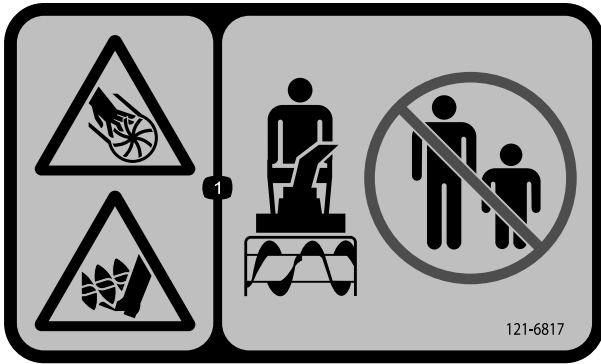
- kan bewegen, ook al is de stroomaansluiting losgekoppeld.
5. Gebruik alleen originele vervangingsonderdelen en accessoires van Toro voor de beste prestaties. Gebruik nooit andere vervangingsonderdelen en accessoires, omdat dit gevaarlijk kan zijn. Dit kan ertoe leiden dat de garantie op het product komt te vervallen.
  6. Onderhoud van de machine – Houd handgrepen droog, schoon en vrij van olie en smeervet. Laat de beveiligingen zitten en zorg dat ze naar behoren werken. Gebruik enkel identieke vervangonderdelen.
  7. Controleer regelmatig of alle bevestigingen vast zitten en het veilig is om de machine te gebruiken.
  8. Controleer de machine op beschadigde onderdelen. Controleer op fout uitgelijnde en vastlopende bewegende onderdelen, defecte onderdelen, bevestigingen en andere situaties die de werking nadelig kunnen beïnvloeden. Tenzij anders aangegeven in de instructies moet u een erkende servicedealer een beschadigde beschermkap of beschadigd onderdeel laten herstellen of vervangen.
  9. Als het accupack niet wordt gebruikt, hou het dan uit de buurt van metalen voorwerpen zoals paperclips, muntjes, sleutels, nagels en schroeven die een brug kunnen vormen tussen de polen. Kortsluiting tussen de accupolen kan brandwonden en brand veroorzaken.
  10. Sla de machine binnen op in een droge, veilige plek buiten het bereik van kinderen wanneer u de machine niet gebruikt.
  11. Wanneer u de machine voor langer dan 30 dagen stalt, raadpleeg dan [Stalling \(bladz. 27\)](#) voor belangrijke informatie.
  12. OPGELET – Een verkeerd behandeld accupack kan brand of chemische brandwonden veroorzaken. Demonteer het accupack niet. Verhit het accupack niet boven 68 °C en verbrand deze niet. Vervang het accupack alleen door een origineel Toro- accupack, het gebruik van een ander accupack kan leiden tot brand of een explosie. Hou accupacks buiten het bereik van kinderen en in de originele verpakking totdat u ze gaat gebruiken.
  13. De accu niet verbranden. De cel kan ontploffen. Controleer of er plaatselijke voorschriften gelden om de accu af te voeren.

## **BEWAAR DEZE INSTRUCTIES**

# Veiligheids- en instructiestickers

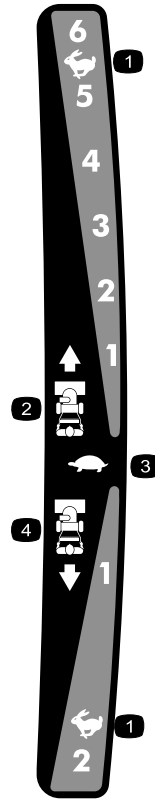


Veiligheidsstickers en veiligheidsinstructies zijn gemakkelijk zichtbaar voor de bestuurder en bevinden zich bij plaatsen waar gevaar kan ontstaan. Vervang alle beschadigde of ontbrekende veiligheidsstickers.



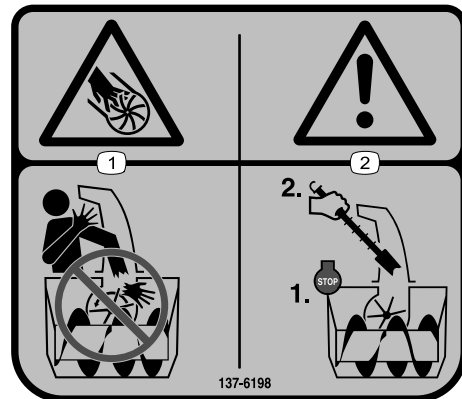
**121-6817**

1. Hands of feet can be injured/amputated, propeller and worm gears – keep bystanders out of the area.



**121-6823**

1. Snel
2. Snelheid vooruit
3. Langzaam
4. Snelheid achteruit



**137-6198**

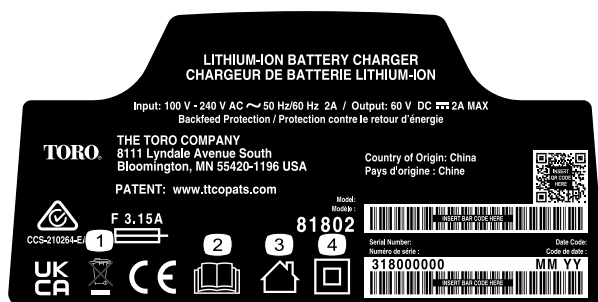
1. Hands or fingers can be injured/amputated, propeller – do not put your hand in the discharge channel.
2. Warning – disengage the motor before you remove the discharge channel with the tool.



decal121-1240

### 121-1240

1. Tractieaandrijving - hendel indrukken om in te schakelen; hendel loslaten om uit te schakelen.
2. Waarschuwing – lees de *Gebruikershandleiding*.
3. Handen kunnen worden verwond/geamputeerd, impeller – steek uw hand niet in het uitwerpkanaal; schakel de motor uit voordat u de bedieningsplek verlaat; verwijder verstoppingen in het uitwerpkanaal met het speciale gereedschap.
4. Handen kunnen worden verwond/geamputeerd, impeller – blijf op afstand van bewegende delen; zorg dat alle beschermingen en afschermingen op hun plaats zitten; verwijder het contactsleuteltje en lees de *Gebruikershandleiding* voordat u onderhoud uitvoert.
5. De machine kan voorwerpen uitwerpen – houd omstanders op afstand.
6. Aandrijving van de wormas/impeller – hendel indrukken om in te schakelen; hendel loslaten om uit te schakelen.



decal144-6028

### 144-6028

1. Voer het product op de juiste manier af
2. Lees de *Gebruikershandleiding*.
3. Voor gebruik binnenshuis
4. Dubbel geïsoleerd



decal137-9496

### 137-9496137-9496

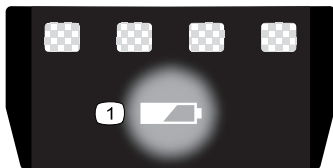
1. Het accupack laadt op.
2. Het accupack is volledig opgeladen.
3. Het accupack is boven of onder het geschikte temperatuurbereik.
4. Laadstoring van accupack



decal140-8492

### 140-8492140-8492

- |   |   |
|---|---|
| <ol style="list-style-type: none"> <li>1. Weghouden van open vuur en vlammen.</li> <li>2. Niet blootstellen aan regen.</li> <li>3. Lees de <i>Gebruikershandleiding</i>.</li> </ol> | <ol style="list-style-type: none"> <li>4. Recycle het accupack op de juiste manier.</li> <li>5. Bevat lithiumionen, voer het product op de juiste manier af.</li> </ol> |
|---|---|



decal137-9461

### 137-9461

1. Laadstatus van accu

# Montage

**Belangrijk:** Het accupack is niet volledig opgeladen bij aankoop. Raadpleeg [Het accupack opladen \(bladz. 18\)](#) voordat u de machine voor de eerste keer gebruikt.

## 1

## De acculader monteren (optioneel)

Benodigde onderdelen voor deze stap:

2	Bevestigingselementen (niet meegeleverd)
---	--

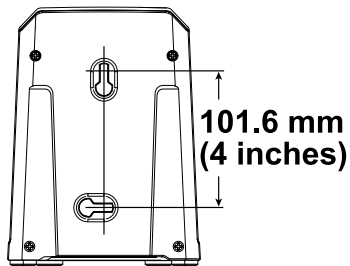
### Procedure

Indien gewenst, kunt u de acculader veilig aan een muur hangen met de gaten voor muurbevestiging achteraan de lader.

Monteer de lader binnen (zoals een garage of andere droge plek) in de buurt van een stroomaansluiting en buiten het bereik van kinderen.

Raadpleeg [Figuur 3](#) voor hulp bij het monteren van de lader.

Schuif de lader over de bevestigingsmiddelen om de lader op te hangen (bevestigingsmiddelen niet meegeleverd).



Figuur 3

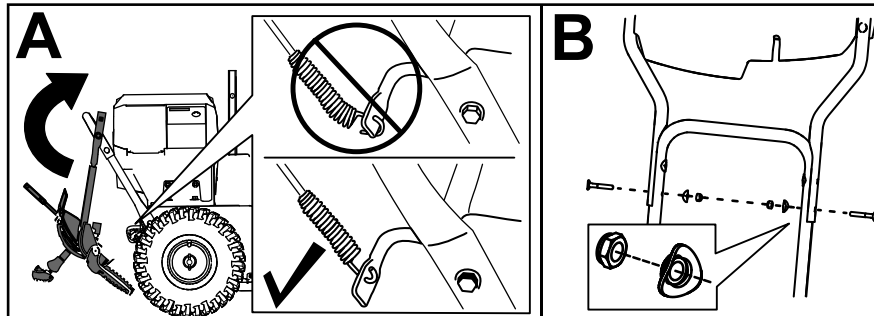
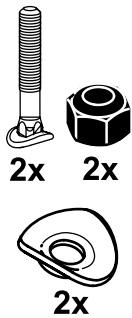
g290534

# 2

## De bovenste handgreep bevestigen

Geen onderdelen vereist

### Procedure



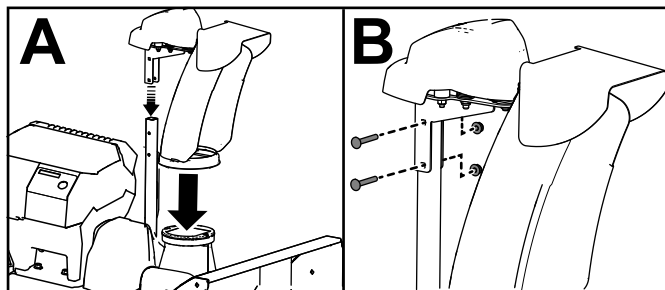
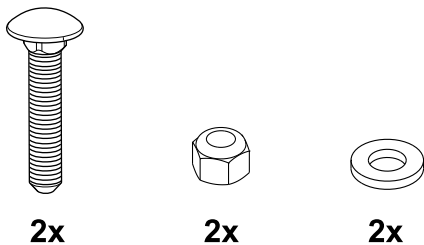
g344090

# 3

## Monteren van het uitwerpkanaal

Geen onderdelen vereist

### Procedure



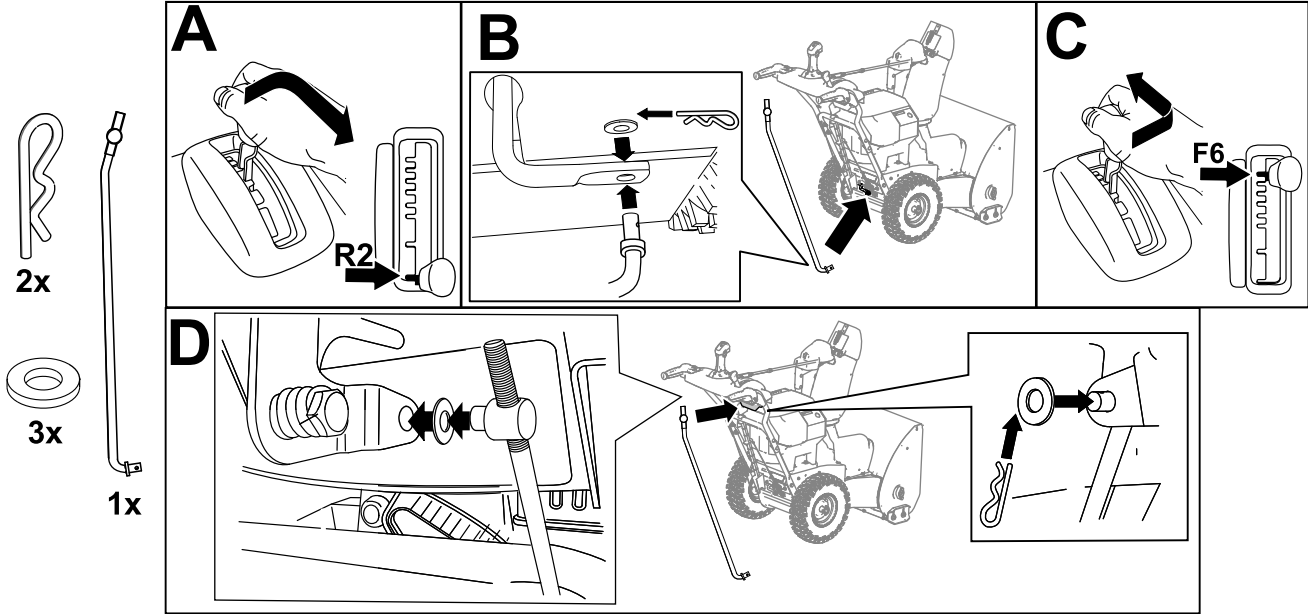
g344087

# 4

## Monteren van het tractie-verbinding

Geen onderdelen vereist

### Procedure



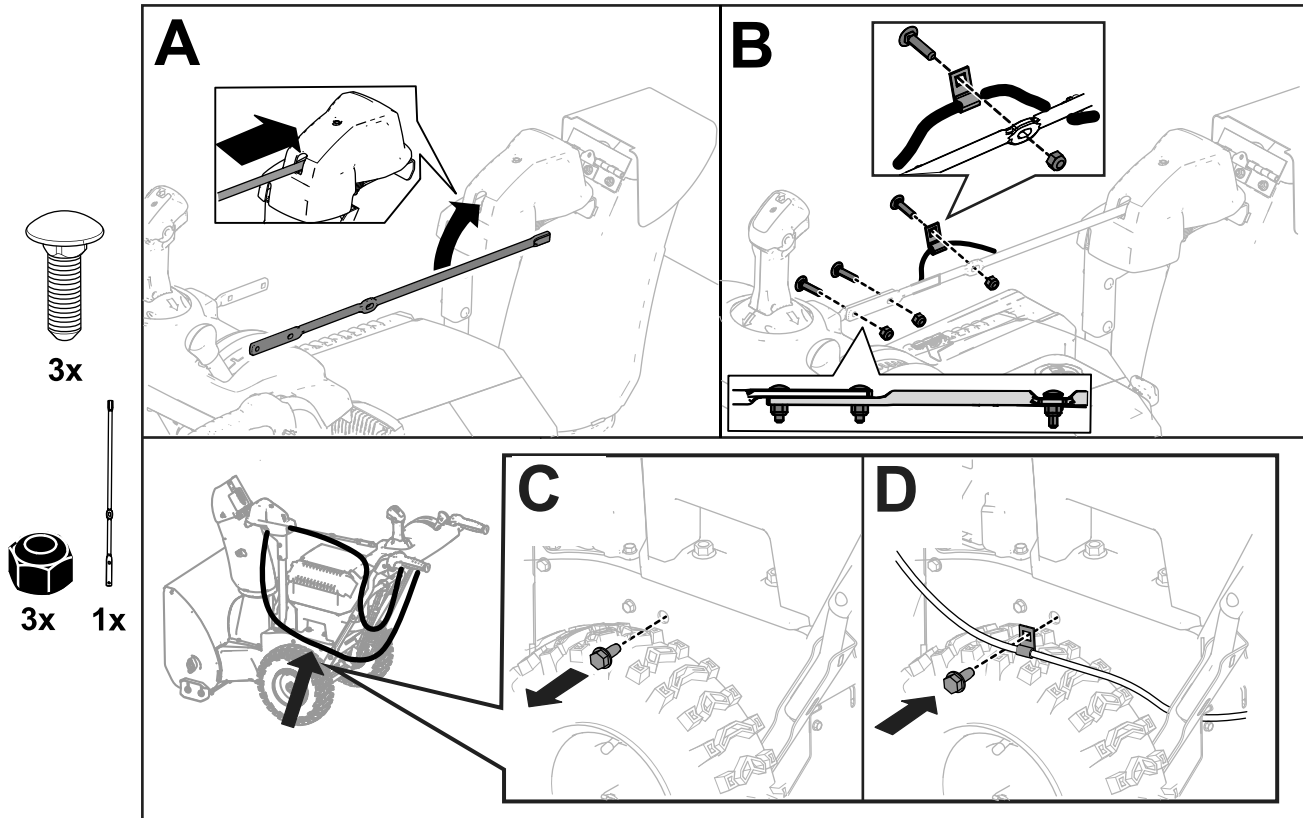
g344089

# 5

## De bedieningsstang van het uitwerpkanaal monteren

Geen onderdelen vereist

### Procedure



g344086

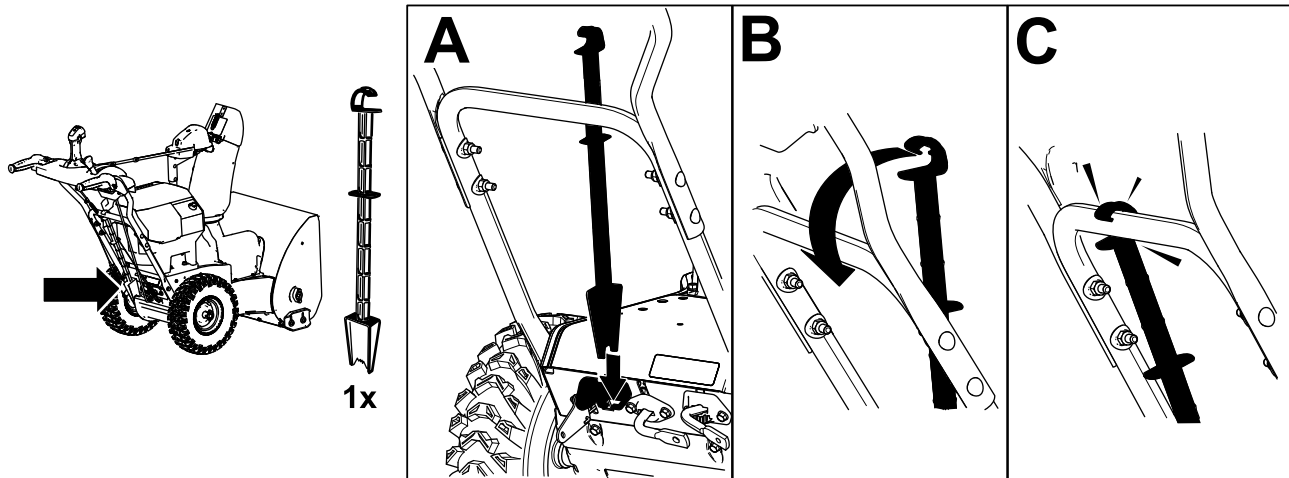


# 6

## Monteren van het gereedschap om sneeuwverstoppingen te verwijderen

Geen onderdelen vereist

### Procedure

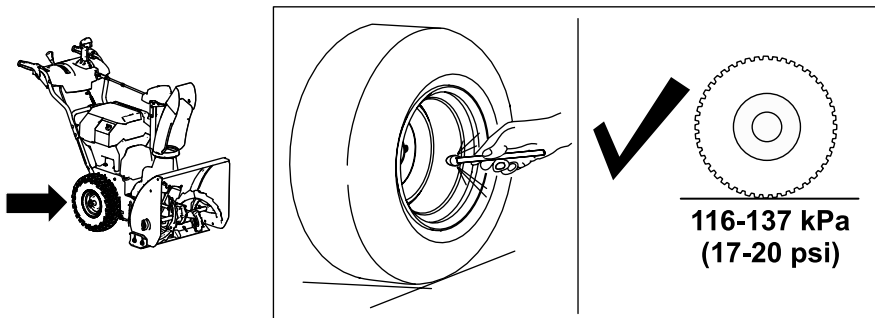


# 7

## Bandenspanning controleren

Geen onderdelen vereist

### Procedure



# 8

## De glijders en de schraper controleren

Geen onderdelen vereist

### Procedure

Zie [De glijders en de schraper controleren en afstellen](#) (bladz. 23).

# 9

## De werking van de tractieaandrijving controleren

Geen onderdelen vereist

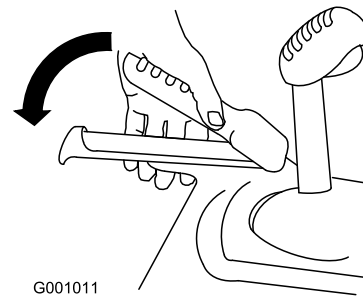
### Procedure

#### **⚠ VOORZICHTIG**

Als de tractieaandrijving niet juist is afgesteld, kan de machine in de verkeerde richting rijden en letsel en/of materiële schade veroorzaken.

Controleer aandachtig de tractieaandrijving en stel deze indien nodig juist af.

1. Start de machine; zie [De machine starten](#) (bladz. 17).
2. Zet de snelheidskeuzehendel op stand R1; zie [De snelheidskeuzehendel bedienen](#) (bladz. 19).
3. Druk de linker hendel (tractie) naar de handgreep ([Figuur 10](#)).



**Figuur 10**

g001011

De machine moet naar achteren rijden. Als de machine niet beweegt of vooruitrijdt, doe dan het volgende:

- A. Laat de tractiehendel los en schakel de machine uit; zie [De machine uitschakelen](#) (bladz. 22).
- B. Koppel de draaipen los van de snelheidskeuzehendel.
- C. Draai de draaipen naar beneden (rechtsom) op de bedieningsstang van de snelheidskeuzehendel.
- D. Koppel de draaipen vast aan de snelheidskeuzehendel.

4. Laat de tractiehendel los.
5. Zet de snelheidskeuzehendel op stand 1; zie [De snelheidskeuzehendel bedienen](#) (bladz. 19).
6. Druk de linker hendel (tractie) naar de handgreep ([Figuur 10](#)).

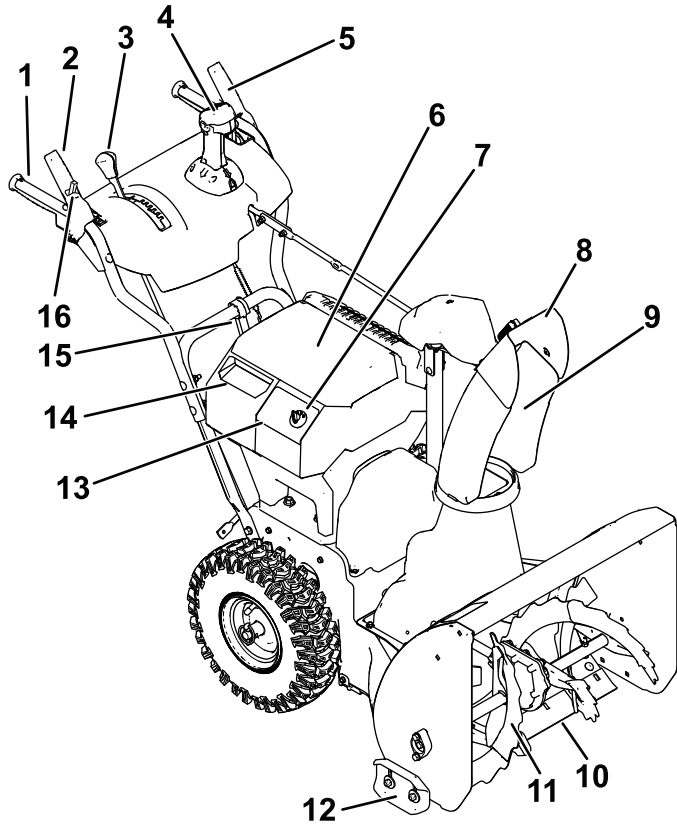
De machine moet vooruitrijden. Als de machine niet beweegt of achteruitrijdt, doe dan het volgende:

- A. Laat de tractiehendel los en schakel de machine uit.
- B. Koppel de draaipen los van de snelheidskeuzehendel.
- C. Draai de draaipen naar boven (linksom) op de bedieningsstang van de snelheidskeuzehendel.
- D. Koppel de draaipen vast aan de snelheidskeuzehendel.

7. Als u aanpassingen gemaakt hebt, herhaal dan deze stappen tot er geen aanpassingen meer nodig zijn.

**Belangrijk:** Als de machine beweegt terwijl de tractiehendel niet bediend wordt, controleer dan de tractiekabel; zie [De tractiekabel controleren en afstellen](#) (bladz. 24) of breng de machine naar een erkende servicedealer voor onderhoud.

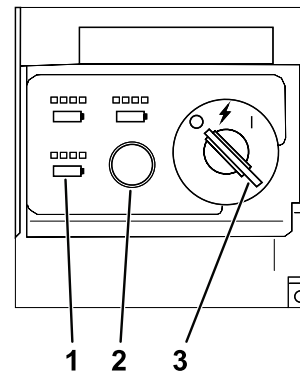
# Algemeen overzicht van de machine



**Figuur 11**

g411293

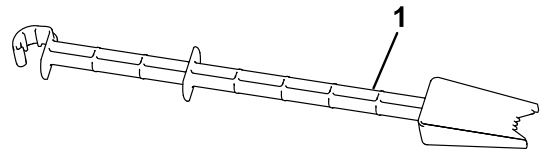
- |  |  |
|--|--|
| 1. Handgreep (2)                             | 9. Uitwerpkanaal                                     |
| 2. Wormas/impellerhendel                     | 10. Schrapper  |
| 3. Snelheidskeuzehendel                      | 11. Wormas   |
| 4. Quick Stick® regelaar uitwerpkanaal       | 12. Glijder (2)                                      |
| 5. Tractiehendel                             | 13. Bedieningspaneel                                 |
| 6. Belangrijkste deksel van accucompartiment | 14. Secundair deksel van accucompartiment            |
| 7. Sleutel voor elektrische start            | 15. Gereedschap om sneeuwverstopingen te verwijderen |
| 8. Uitwerpgeleider                           | 16. Vergrendelingschakelaar                          |



**Figuur 12**

g347780

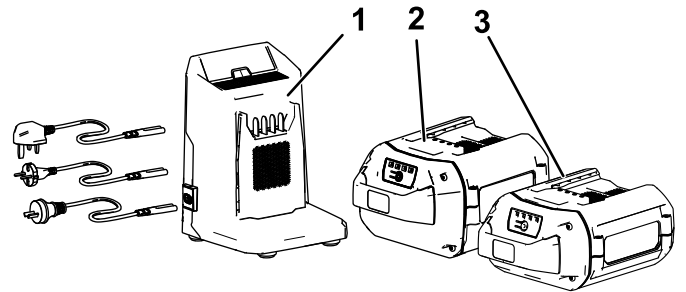
- |                              |                             |
|------------------------------|-----------------------------|
| 1. Lampjes voor accuspanning | 3. Contactschakelaar in UIT |
| 2. ECO-knop                  |                             |



**Figuur 13**

g344092

1. Gereedschap om sneeuwverstopingen te verwijderen (aan de handgreep bevestigd)



**Figuur 14**

g342171

- |   |   |
|---|---|
| 1. Acculadermodel 81805 (meegeleverd met model 31875) | 3. Accupackmodel 81825 (niet meegeleverd) |
| 2. Accupackmodel 81875 (meegeleverd met model 31875)  |   |

# Specificaties

Model	Gewicht	Lengte	Breedte	Hoogte
31875	64 kg	142 cm	71 cm	117 cm

## Accupack

Model	81875
Capaciteit van accupack	7,5 Ah
	405 Wh
Door fabrikant bepaald voltage = 60 V maximaal en 54 V nominaal. Werkelijk voltage afhankelijk van de belasting.	

## Acculader

Model	81805
Type	60 V MAX lithium-ion snelle acculader
Input	100 tot 240 V AC 50/60 Hz max. 5,0 A
Output	60 V DC 5,5 A

## Geschikt temperatuurbereik

Laad/bewaar het accupack bij een temperatuur van	5 °C tot 40 °C*
Gebruik het accupack bij een temperatuur van	-30 °C tot 49 °C*
Gebruik de machine bij een temperatuur van	-30 °C tot 49 °C*

\* De oplaadtijd zal langer zijn als u het accupack niet binnen dit bereik oplaadt.

Sla de machine, het accupack en de acculader op in een afgesloten schone, droge ruimte.

## Werktuigen/accessoires

Een selectie van door Toro goedgekeurde werktuigen en accessoires is verkrijgbaar voor gebruik met de machine om de mogelijkheden daarvan te verbeteren en uit te breiden. Neem contact op met een erkende servicedealer of een erkende Toro- distributeur, of bezoek [www.Toro.com](http://www.Toro.com) voor een lijst van alle goedgekeurde werktuigen en accessoires.

Om de beste prestaties te verkrijgen en ervoor te zorgen dat de veiligheidscertificaten van de machine blijven gelden, moet u ter vervanging altijd originele onderdelen en accessoires van Toro aanschaffen. Vervangende onderdelen en accessoires van andere fabrikanten kunnen tot gevaar leiden.

# Gebruiksaanwijzing

**Opmerking:** Bepaal vanuit de normale bedieningspositie de linker- en rechterzijde van de machine.

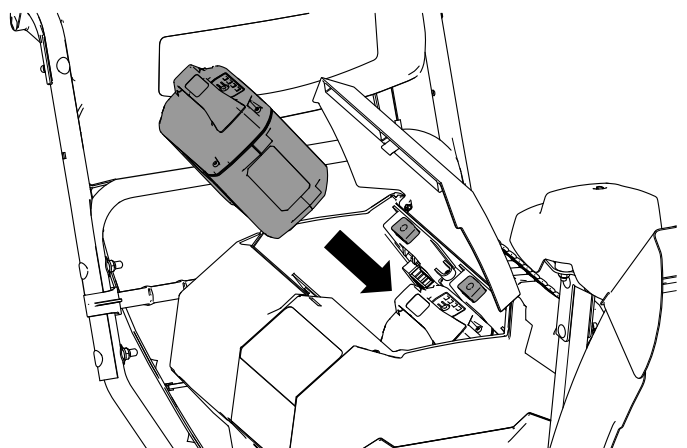
## Voor gebruik

### Het accupack monteren

1. Zorg ervoor dat er geen stof of vuil ligt op de openingen in de accupacks.
2. Til het deksel van het accucompartiment op.
3. Lijn de holte in het accupack uit met de koppeling op de machine en schuif het accupack in het compartiment tot het vastklikt (Figuur 9).
4. Sluit het deksel van het accucompartiment.
5. Herhaal voor de andere twee accuholtes (indien nodig).

**Opmerking:** De gecombineerde ampère-uur capaciteit van alle gemonteerde accu's moet samen minstens 6,0 bedragen, anders kan de machine niet starten.

**Opmerking:** Als het deksel van het accucompartiment niet geheel sluit dan is het accupack niet goed geplaatst.

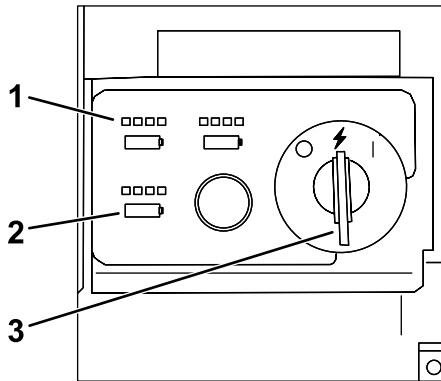


Figuur 15

g348180

# De laadstatus controleren

U kunt de exacte laadstatus van elke gemonteerde accu bekijken; draai het sleuteltje naar de stand WERKTUIG INSCHAKELEN (Figuur 16). De positie van elke set lampjes stemt overeen met de gerelateerde accuholte. Als de laadstatus van de accu te laag is en de accu moet worden opgeladen, of als er geen accu is in de overeenstemmende holte, gaat het accuaanwezigheidslampje niet branden.



Figuur 16

g348182

1. Laadstatuslampjes
2. Accuaanwezigheidslampjes
3. Contactschakelaar in de stand WERKTUIG INSCHAKELEN

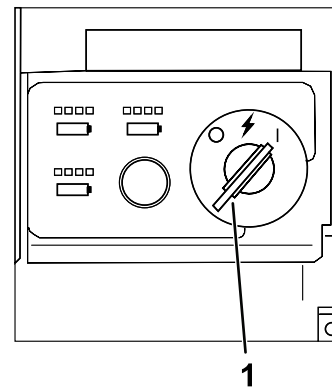
## Tijdens gebruik

### De machine starten

**Opmerking:** Gebruik het accupack alleen op binnen het aangegeven temperatuurbereik, zie [Specificaties \(bladz. 16\)](#)

1. Zorg ervoor dat het/de accupack(s) is/zijn gemonteerd in de machine; zie [Het accupack monteren \(bladz. 16\)](#).
2. Steek de sleutel voor elektrische start in het bedieningspaneel.
3. Draai het sleuteltje naar de stand ACCESSOIRE.
4. Draai het sleuteltje op AAN om de machine in te schakelen (Figuur 17).

**Opmerking:** Als het sleuteltje te snel wordt gedraaid van UIT naar AAN dan start de machine mogelijk niet, verzeker dat het sleuteltje kort stop in de middelste stand, ACCESSOIRE.



Figuur 17

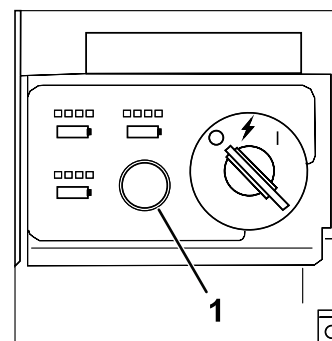
g347864

1. Contactschakelaar op AAN

**Opmerking:** Als de machine langere tijd blijft ingeschakeld en stationair draait of zonder dat de wormas is ingeschakeld zal de automatische uitschakeling (timeout) geactiveerd worden, en de machine uitschakelen. Als de machine hierdoor wordt uitgeschakeld klinkt er een piep om aan te geven dat de automatische uitschakeling geactiveerd is.

## ECO-modus inschakelen

Gebruik de ECO-modus om de levensduur van de accu te verlengen en de rotorsnelheid te verlagen; gebruik altijd de ECO-modus wanneer u lichte sneeuw verplaatst of wanneer u sneeuw over een korte afstand werpt. Schakel de ECO-modus in met de ECO-knop; zie [Figuur 18](#).



Figuur 18

g347866

1. Knop ECO-modus

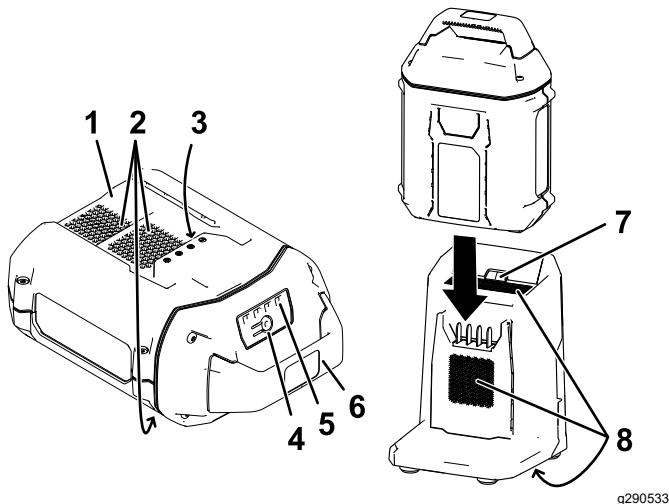
# Het accupack opladen

**Belangrijk:** Het accupack is niet volledig opgeladen bij aankoop. Voordat u het gereedschap voor het eerst gebruikt, plaatst u het accupack in de lader en laat u het opladen tot het leddisplay aangeeft dat het accupack volledig opgeladen is. Lees alle veiligheidsrichtlijnen.

**Belangrijk:** Laad het accupack alleen op bij temperaturen die binnen het gepaste temperatuurbereik liggen; zie [Specificaties \(bladz. 16\)](#).

**Opmerking:** Druk op het even welk moment op de knop van de indicator van de accuspanning op het accupack om de huidige lading weer te geven (ledindicatoren).

1. Zorg ervoor dat er geen stof of vuil ligt op de openingen in de accu en de lader.



Figuur 19

g290533

- |  |                                     |
|--|-------------------------------------|
| 1. Holte van accupack                  | 5. Ledindicatoren (ladingstoestand) |
| 2. Luchtopeningen van accupack         | 6. Handgreep                        |
| 3. Contacten van accupack              | 7. Ledindicatielampje lader         |
| 4. Knop van indicator van accuspanning | 8. Luchtopeningen lader             |
2. Lijn de holte in het accupack ([Figuur 19](#)) uit met de koppeling op de lader.
  3. Schuif het accupack in de lader tot het volledig op zijn plaats zit ([Figuur 19](#)).

4. Om het accupack te verwijderen, schuift u de accu naar achteren uit de lader.
5. De volgende tabel geeft aan wat de toestand van het ledindicatielampje op de acculader betekent.

Indicatie-lampje	Betekenis
Uit	Geen accupack ingebracht
Groen, knipperend	Accu wordt geladen
Groen	Accu is geladen
Rood	Het accupack en/of de acculader zijn/is boven of onder het geschikte temperatuurbereik
Rood, knipperend	Laadstoring van accupack*

\*Raadpleeg [Problemen, oorzaak en remedie \(bladz. 29\)](#) voor meer informatie.

**Belangrijk:** Gaat u de sneeuwrees met korte tussenperiode verschillende keren gebruiken, dan kunt u de accu in de lader laten zitten.

Als u de accu lange tijd niet gaat gebruiken, haal de accu dan uit de lader; zie [Stalling \(bladz. 27\)](#).

# Bediening van de tractieaandrijving

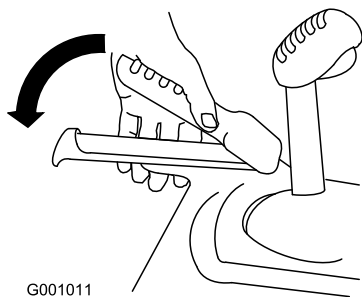
## ⚠ VOORZICHTIG

Als de tractieaandrijving niet juist is afgesteld, kan de machine in de verkeerde richting rijden en letsel en/of materiële schade veroorzaken.

Controleer de tractieaandrijving zorgvuldig en stel deze indien nodig op de juiste manier af; zie [De tractiekabel controleren en afstellen \(bladz. 24\)](#) voor meer informatie.

**Belangrijk:** Als de machine beweegt terwijl de tractiehendel niet bediend wordt, controleer dan de tractiekabel; zie [De tractiekabel controleren en afstellen \(bladz. 24\)](#) of breng de machine naar een erkende servicedealer voor onderhoud.

1. Druk de linker hendel (tractie) in naar de handgreep om de tractieaandrijving in te schakelen ([Figuur 20](#)).



G001011

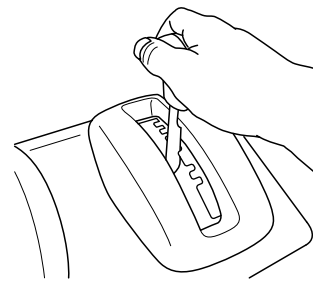
g001011

Figuur 20

2. Laat de tractiehendel los om de tractieaandrijving uit te schakelen.

## De snelheidskeuzehendel bedienen

De snelheidskeuzehendel heeft 6 voorwaartse versnellingen en 2 achteruit. Om te schakelen moet u de tractiehendel loslaten en de snelheidskeuzehendel in de gewenste stand zetten ([Figuur 21](#)). Er is een inkeping die de hendel borgt in elke stand.

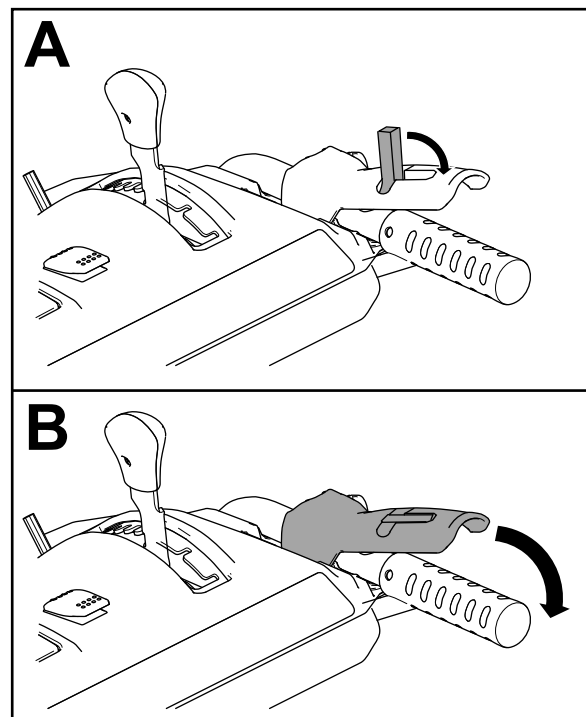


Figuur 21

g322971

## De wormas/impeller bedienen

1. Om de aandrijving van de wormas/impeller in te schakelen zet u de vergrendelingsschakelaar op de hendel vrij, en dan drukt u de rechter hendel (wormas/impeller) naar de handgreep ([Figuur 22](#)).



Figuur 22

g360687

2. Om de wormas en impeller te stoppen, laat u de rechter hendel los.

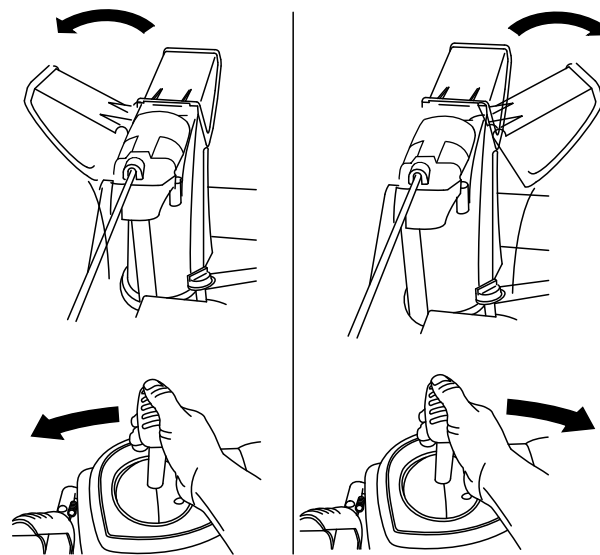
**Belangrijk:** Als u zowel de wormas/impellerhendel als de tractiehendel inschakelt, vergrendelt de tractiehendel de wormas/impellerhendel. Op die manier is uw rechterhand vrij. Om de beide hendels uit te schakelen laat u gewoon de linker hendel (tractie) los.

- Als de wormas en de impeller blijven draaien wanneer u de wormas/impellerhendel losgelaten hebt, mag u de machine niet gebruiken. Controleer de kabel voor de wormas/impeller; zie [De kabel van de wormas/impeller controleren en afstellen \(bladz. 25\)](#) en stel hem indien nodig af. U kunt de machine ook naar een erkende servicedealer brengen voor onderhoud.

### ⚠ WAARSCHUWING

Als de wormas en de impeller blijven draaien wanneer u de wormas/impellerhendel losgelaten hebt, kunt u uzelf en anderen ernstig letsel toebrengen.

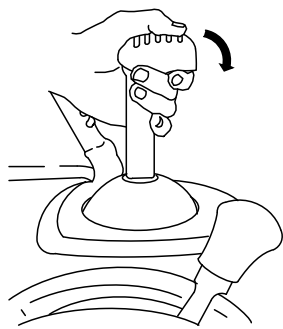
Gebruik de machine niet. Breng de machine naar een erkende servicedealer voor onderhoud.



g018894 g018894  
**Figuur 24**

## De Quick Stick® bedienen

Hou de blauwe dop van de trekker naar beneden om de Quick Stick te gebruiken en het uitwerpkanaal en de uitwerpgeleider te bewegen. Laat de dop van de trekker los om het uitwerpkanaal en de uitwerpgeleider in hun stand te borgen (Figuur 23).



G001014 g001014  
**Figuur 23**

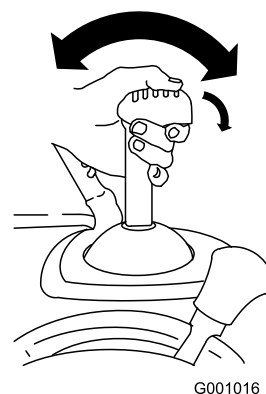
## Het uitwerpkanaal bewegen

Hou de blauwe dop van de trekker omlaag en beweeg de Quick Stick naar links om het uitwerpkanaal naar links te bewegen; beweeg de Quick Stick naar rechts om het uitwerpkanaal naar rechts te bewegen (Figuur 24).

- Als het kanaal niet even ver naar links kan draaien als naar rechts, controleer dan of de kabel naar de binnenkant van de handgrepen loopt. Zie [2 De bovenste handgreep bevestigen \(bladz. 9\)](#).
- Als het uitwerpkanaal niet beweegt of niet in de gewenste positie vergrendeld wordt als u de trekker loslaat, moet u de vergrendelingskabel van het uitwerpkanaal afstellen.

## De uitwerpgeleider bewegen

Hou de blauwe dop van de trekker naar beneden en beweeg de Quick Stick naar voren om de uitwerpgeleider te laten zakken; beweeg de dop naar achteren om de uitwerpgeleider omhoog te brengen (Figuur 25).



G001016 g001016  
**Figuur 25**



# Een verstopt uitwerpkanal vrijmaken.

## ⚠ WAARSCHUWING

Als de wormas/impeller draait maar er geen sneeuw uit het uitwerpkanal komt, is het uitwerpkanal mogelijk verstopt.

Gebruik nooit uw handen om een verstopt uitwerpkanal vrij te maken. Hierdoor kan lichamelijk letsel ontstaan.

- Om het uitwerpkanal vrij te maken, laat u de linker hendel (tractie) los vanuit de bestuurderspositie. Laat de wormas/impeller draaien en druk de handgrepen naar beneden om de voorkant van de machine enkele centimeters van de grond te tillen. Beweeg de handgrepen dan snel omhoog om de voorkant van de machine op de grond te slaan. Herhaal indien nodig tot er sneeuw uit het uitwerpkanal komt.
- Als het niet lukt om het uitwerpkanal vrij te maken door de voorkant van de machine tegen de grond te tikken, **schakel de machine dan uit, wacht totdat alle bewegende onderdelen tot stilstand zijn gekomen en gebruik dan het werktuig om sneeuw te verwijderen (Figuur 13).**

**Belangrijk:** Als u het uitwerpkanal probeert vrij te maken door de voorkant van de machine tegen de grond te tikken, kunnen de glijders verschuiven. Stel de glijders af en draai de bouten van de glijders stevig vast; zie [De glijders en de schraper controleren en afstellen \(bladz. 23\)](#).

# Tips voor bediening en gebruik

## ⚠ GEVAAR

Als de machine in bedrijf is, draaien de impeller en de wormas en kunnen ze handen en voeten verwonden of amputeren.

- Voordat u de machine afstelt, reinigt, controleert, herstelt of een probleem oplost, moet u de machine uitschakelen en wachten tot alle bewegende onderdelen tot stilstand zijn gekomen. Verwijder het sleuteltje en de accu van de machine om te voorkomen dat iemand per ongeluk de machine start.
- Verwijder obstructies uit het uitwerpkanal; zie [Een verstopt uitwerpkanal vrijmaken \(bladz. 21\)](#). Gebruik het werktuig om sneeuw te verwijderen ([Figuur 13](#)), niet uw handen, om een obstructie te verwijderen uit het uitwerpkanal.
- Loop achter de handgrepen en blijf uit de buurt van de uitwerpopening als u de machine gebruikt.
- Houd uw gezicht, handen, voeten en alle andere lichaamsdelen of kledingsstukken uit de buurt van weggestopte, bewegende of draaiende onderdelen.

## ⚠ WAARSCHUWING

De impeller kan stenen, speelgoed en andere vreemde voorwerpen uitwerpen en u of omstanders ernstig letsel toebrengen.

- Hou het terrein waar u sneeuw wilt ruimen vrij van alle voorwerpen die door de wormas kunnen worden gegrepen en uitgeworpen.
- Hou kinderen en huisdieren weg uit het werkgebied.

Hou rekening met het volgende om de beste resultaten te bekomen:

- Als de machine vertraagt ten gevolge van de belasting of als een wiel slipt, schakel de machine dan in een lagere versnelling; zie [De snelheidskeuzehendel bedienen \(bladz. 19\)](#).
- Als de voorkant van de machine omhoog trekt, schakelt u de machine in een lagere versnelling. Als de voorkant nog altijd omhoog trekt, til de handgrepen dan omhoog.

- Verwijder verse sneeuw zo snel mogelijk.
- Duw de machine naar voren maar laat ze in haar eigen tempo werken.
- Zorg dat de werkgangen overlappen zodat u alle sneeuw ruimt.
- Indien mogelijk moet u de sneeuw altijd met de wind mee uitwerpen.

## Na gebruik

### De machine uitschakelen

1. Laat de tractiehendel en de wormas/impellerhendel los.
2. Draai het sleuteltje op UIT en haal het uit het bedieningspaneel (Figuur 12).
3. Verwijder het/de accupack(s); zie [Het accupack uit de machine verwijderen](#) (bladz. 22).

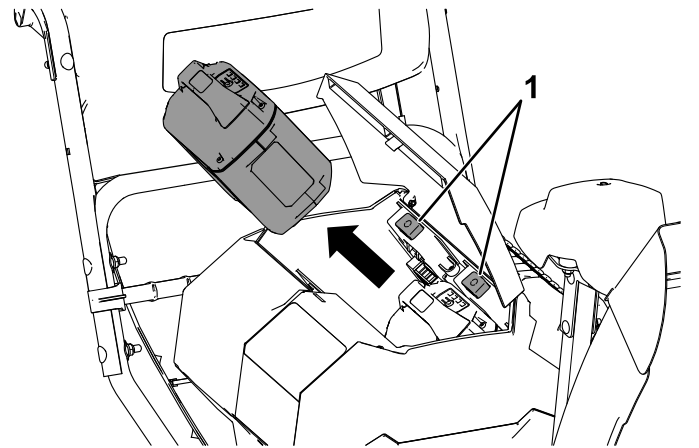
**Opmerking:** Wanneer u de machine niet gebruikt, moet u steeds het/de accupack(s) en het sleuteltje uit de machine verwijderen.

**Opmerking:** Als de machine langere tijd blijft ingeschakeld en stationair draait of zonder dat de wormas is ingeschakeld, zal de automatische uitschakeling (timeout) geactiveerd worden, en de machine uitschakelen. Als de machine hierdoor wordt uitgeschakeld klinkt er een piep om aan te geven dat de automatische uitschakeling geactiveerd is. Als de machine hierdoor wordt uitgeschakeld klinkt er een piep om aan te geven dat de automatische uitschakeling geactiveerd is.

Om de machine opnieuw te starten: zie [De machine starten](#) (bladz. 17).

### Het accupack uit de machine verwijderen

1. Til het deksel van het accucompartiment op.
2. Druk op de accupackvergrendeling om het accupack los te maken en verwijder het accupack (Figuur 26).



Figuur 26

g347853

3. Sluit het deksel van het accucompartiment.

### Bevriezing na gebruik voorkomen

- Bij sneeuwval en koude temperaturen kunnen sommige bedieningselementen en bewegende onderdelen bevriezen. **Gebruik niet te veel kracht als u bevroren bedieningselementen probeert te gebruiken.** Als een bedieningselement of onderdeel moeilijk te gebruiken is, start dan de machine en laat deze enkele minuten draaien.
- Laat de machine nog enkele minuten draaien nadat u de machine gebruikt hebt. Zo voorkomt u dat bewegende onderdelen bevriezen. Schakel de wormas/impeller in om achtergebleven sneeuw uit de behuizing te verwijderen. Draai de Quick Stick om te vermijden dat deze bevriest. Schakel de machine uit, wacht tot alle bewegende onderdelen tot stilstand zijn gekomen, verwijder het sleuteltje en de accu en verwijder ijs en sneeuw van de machine.
- Verwijder sneeuw en ijs van de onderkant van het kanaal.
- Draai het uitwerpkanaal naar links en rechts om ijsophopingen te verwijderen.

# Onderhoud

## Aanbevolen onderhoudsschema

Onderhoudsinterval	Onderhoudsprocedure
Na de eerste 2 bedrijfsuren	<ul style="list-style-type: none"><li>Controleer de tractiekabel en stel deze af indien nodig.</li><li>Controleer de kabel van de wormas/impeller en stel deze af indien nodig.</li></ul>
Jaarlijks	<ul style="list-style-type: none"><li>Controleer de glijders en de schraper stel ze indien nodig af.</li><li>Controleer de tractiekabel; indien nodig afstellen of vervangen.</li><li>Controleer de kabel van de wormas/impeller; indien nodig afstellen of vervangen.</li><li>Controleer het oliepeil in de tandwielkast van de wormas en voeg olie toe indien nodig.</li><li>Smeer de zeshoekige as.</li></ul>
Jaarlijks of vóór stalling	<ul style="list-style-type: none"><li>Controleer de bandenspanning en pomp de banden op tot 1,16-1,37 bar.</li><li>Laat een erkende servicedealer de aandrijfriem van de tractie en/of van de wormas/impeller vervangen indien nodig.</li></ul>

## Vóór onderhoudswerkzaamheden

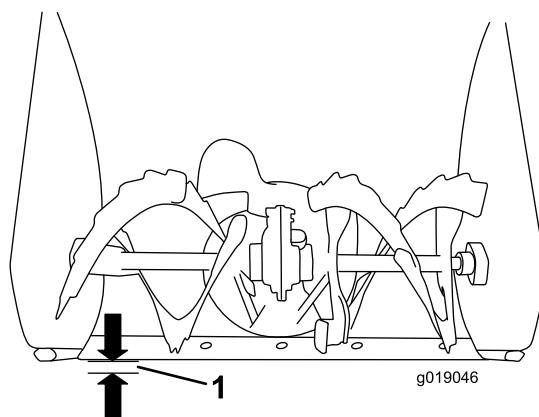
- Plaats de machine op een horizontaal oppervlak.
- Stop de machine, verwijder het sleuteltje voor elektrische start, wacht totdat alle bewegende onderdelen tot stilstand zijn gekomen, en verwijder het accupack van de machine voordat u de machine afstelt, schoonmaakt, stalt of er onderhoudswerkzaamheden aan verricht.

## De glijders en de schraper controleren en afstellen

**Onderhoudsinterval:** Jaarlijks—Controleer de glijders en de schraper stel ze indien nodig af.

Controleer de glijders en de schraper; de wormas mag de verharde ondergrond of het grind niet raken. Stel de glijders en de schraper af zoals vereist om slijtage te compenseren.

- Controleer de bandenspanning; zie [7 Bandenspanning controleren \(bladz. 13\)](#).
- Draai de moeren waarmee de beide glijders aan de zijkant van de wormas bevestigd zijn los tot de glijders gemakkelijk naar boven en beneden bewegen.



**Figuur 27**

- 3 mm

**Belangrijk:** De wormasbladen moeten worden ondersteund boven de grond door de glijders.

3. Zorg ervoor dat de schraper zich 3 mm boven een egaal oppervlak bevindt en evenwijdig is met dit oppervlak.

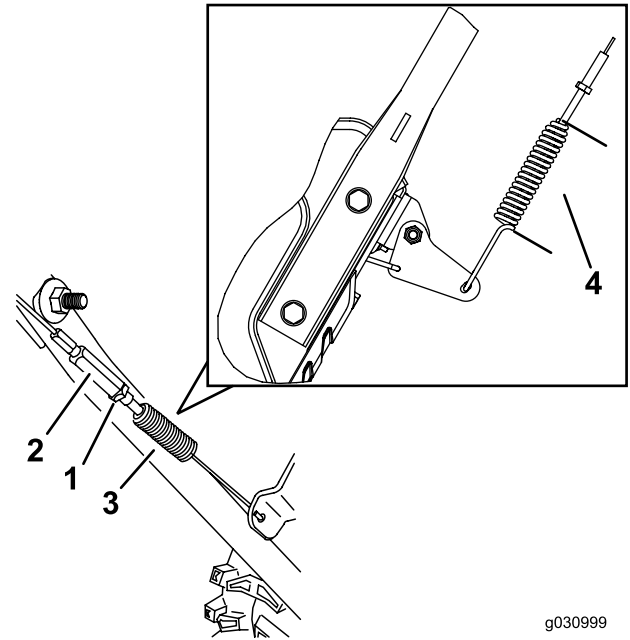
**Opmerking:** Als de grond gebarsten, ruw of ongelijk is, moet u de glijders afstellen om de schraper omhoog te brengen. Stel de glijders bij grind lager af om te voorkomen dat de machine steentjes opneemt.

4. Laat de glijders zakken tot ze tegen de grond komen.
5. Draai de moeren waarmee de glijders aan de zijkant van de wormas zitten stevig vast.

**Opmerking:** Om de glijders snel af te stellen als ze los raken, ondersteunt u de schraper 3 mm van de grond, en stelt u dan de glijders af naar beneden naar de grond.

**Opmerking:** Als de glijders versleten zijn, kunt u ze omkeren met de ongebruikte zijde naar de grond.

3. Draai de spanmoer vaster of lossere om de lengte van de veer in te stellen op 5,5 cm zoals in [Figuur 29](#).



g030999

g030998

**Figuur 29**

- |              |           |
|--------------|-----------|
| 1. Contraoer | 3. Veer   |
| 2. Spanmoer  | 4. 5,5 cm |

## De tractiekabel controleren en afstellen

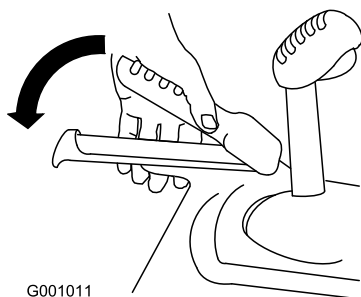
**Onderhoudsinterval:** Na de eerste 2 bedrijfsuren—Controleer de tractiekabel en stel deze af indien nodig.

Jaarlijks—Controleer de tractiekabel; indien nodig afstellen of vervangen.

Als de machine niet vooruit- of achteruitrijdt, of als ze rijdt terwijl u de tractiehendel loslaat, moet u de tractiekabel afstellen.

Indien de linker (tractie) kabel niet goed is ingesteld, stel deze dan in:

1. Draai de contraoer los.
2. Schakel de tractiehendel in en hou deze op zijn plaats ([Figuur 28](#)).



G001011

g001011

**Figuur 28**

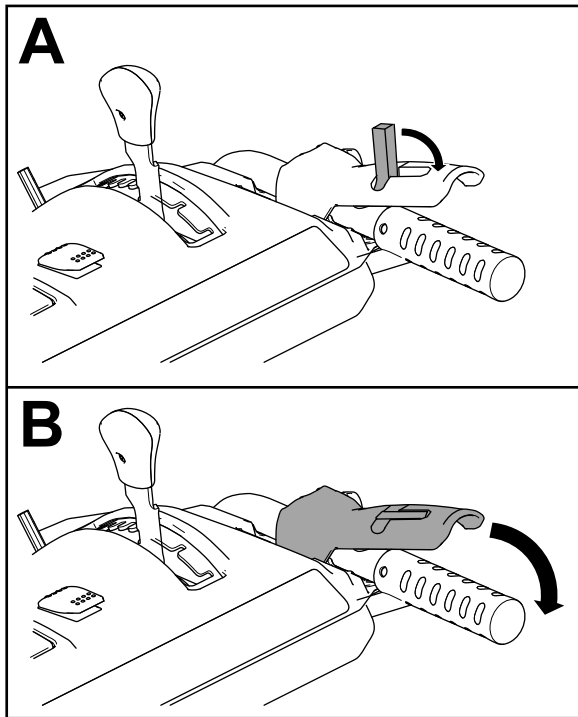
4. Draai de contraoer vast ([Figuur 29](#)), verzeker dat de kabel onder enige spanning staat.
5. Neem contact op met een erkende servicedealer als de tractiekabel juist is afgesteld maar het probleem voortduurt.

# De kabel van de wormas/impeller controleren en afstellen

**Onderhoudsinterval:** Na de eerste 2 bedrijfsuren—Controleer de kabel van de wormas/impeller en stel deze af indien nodig.

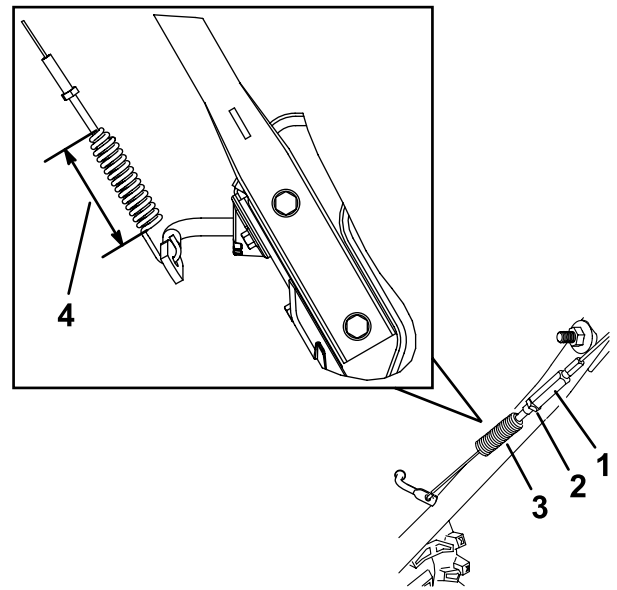
Jaarlijks—Controleer de kabel van de wormas/impeller; indien nodig afstellen of vervangen.

1. Draai de contraemoer los (Figuur 31).
2. Schakel de hendel van de wormas/impeller in en hou deze op zijn plaats (Figuur 30).



Figuur 30

g360687



Figuur 31

g371834

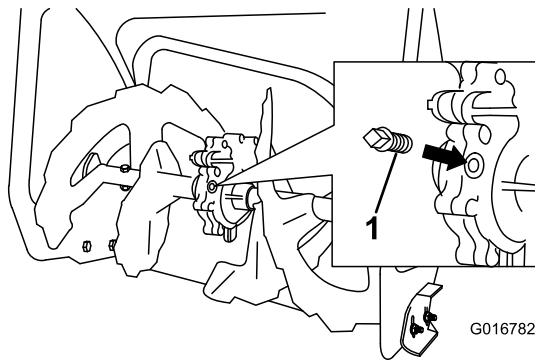
1. Spanmoer
  2. Contraemoer
  3. Veer
  4. 6,6 cm terwijl de hendel van de wormas/impeller ingedrukt is.
- 
4. Draai de contraemoer vast (Figuur 31), verzeker dat de kabel onder enige spanning staat.
  5. Schakel de machine in, probeer de wormas/impeller aandrijving in te schakelen zonder dat u de vergrendelingsschakelaar bedient: als de wormas dan gaat draaien moet u de spanmoer lossen zodat de wormas niet wordt ingeschakeld.
  6. Neem contact op met een erkende servicedealer als de kabel van de wormas/impeller juist is afgesteld maar een probleem zich blijft voordoen.

3. Draai de spanmoer vaster of lossen om de lengte van de veer in te stellen op 6,6 cm zoals in Figuur 31.

# Het oliepeil in de tandwielkast van de wormas controleren

**Onderhoudsinterval:** Jaarlijks—Controleer het oliepeil in de tandwielkast van de wormas en voeg olie toe indien nodig.

1. Plaats de machine op een horizontaal oppervlak.
2. Maak schoon rond de buisplug (Figuur 32).



Figuur 32

1. Buisplug

3. Verwijder de buisplug uit de tandwielkast.
4. Controleer het oliepeil in de tandwielkast. De olie moet 9,5 mm onder de vulopening staan.
5. Als het oliepeil laag is voeg dan GL-5 of GL-6, SAE 80-90 EP tandwielkastolie toe aan de tandwielkast, totdat de olie 9,5 mm onder de vulopening staat.

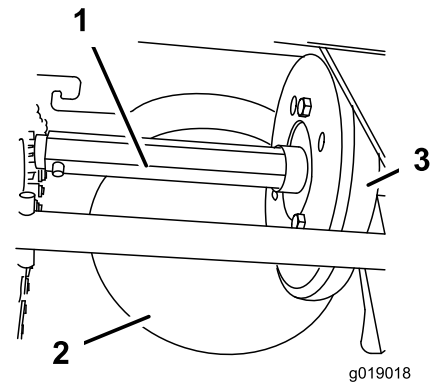
**Opmerking:** Gebruik geen synthetische olie.

6. Breng de buisplug aan in de tandwielkast.

# Smeren van de zeshoekige as

**Onderhoudsinterval:** Jaarlijks—Smeer de zeshoekige as.

Smeer de zeshoekige as jaarlijks met motorolie (Figuur 33).

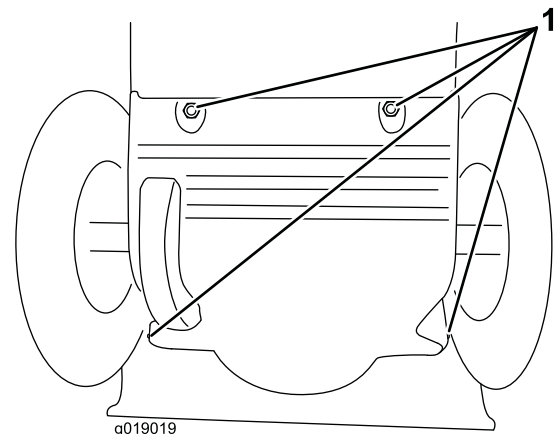


Figuur 33

1. Zeshoekige as
2. Stalen aandrijfplaat
3. Rubber wiel

**Belangrijk:** Voorkom dat er olie op het rubberwiel of de stalen aandrijfplaat komt omdat de aandrijving dan zal slippen (Figuur 33).

1. Tap de brandstof af uit de brandstoftank.
2. Kantel de machine naar voren op de behuizing van de wormas. Zet deze vast met blokken o.i.d. om omvallen te voorkomen.
3. Verwijder de kap aan de achterkant (Figuur 34).



Figuur 34

1. Schroeven
4. Zet de snelheidskeuzehendel op stand R2.
5. Steek uw vinger in motorolie en smeer de zeshoekige as **lichtjes**.
6. Zet de snelheidskeuzehendel op stand 6.
7. Smeer het andere uiteinde van de zeshoekige as.
8. Beweeg de snelheidskeuzehendel enkele malen naar voren en naar achteren.
9. Monteer de kap op de achterkant en plaats de machine weer in de bedrijfsstand.

## De aandrijfriemen vervangen

Als de aandrijfriem van de wormas/impeller of de tractie slijtage heeft, door olie doordrenkt is of op een andere manier beschadigd is, laat de riem dan vervangen door een erkende servicedealer.

# Stalling

## De machine stallen

**Belangrijk:** Sla de machine, het accupack en de lader alleen op bij temperaturen die binnen het gepaste temperatuurbereik liggen; zie [Specificaties \(bladz. 16\)](#).

**Belangrijk:** Als u het accupack opslaat na het sneeuwseizoen, laad het dan op tot er 2 of 3 ledindicatoren op de accu groen worden. Berg een volledig opgeladen of volledige lege accu niet op. Wanneer u de machine weer nodig hebt, laadt u het accupack op totdat het indicatielampje links op de lader groen oplicht of alle 4 de ledindicatoren op de accu groen oplichten.

- Koppel het product los van de voedingsbron (d.w.z. verwijder de stekker uit het stopcontact of van het accupack), verwijder het sleuteltje en controleer op gebruiksschade.
- Verwijder al het vuil van het product.
- Sla het apparaat niet op met een gemonteerd accupack.
- Wanneer de machine niet wordt gebruikt, moet u de machine, het accupack, het sleuteltje en de acculader opbergen buiten het bereik van kinderen.
- Houd de machine, het accupack, het sleuteltje en de acculader uit de buurt van bijtende producten, zoals tuinchemicaliën en strooizout.
- Om het risico op ernstig lichamelijk letsel te verkleinen mag u het accupack niet buiten of in een voertuig stallen.
- Herstel afgeschilferde verf met verf van een erkende servicedealer. Schuur de betreffende plaatsen voordat u gaat verven, en gebruik een roestwerend middel om te voorkomen dat de metalen onderdelen gaan roesten.
- Draai alle losse borgmoeren, bouten en schroeven goed aan. Vervang of herstel beschadigde onderdelen.
- Sla de machine, het accupack, het sleuteltje en de acculader op in een afgesloten schone, droge ruimte.

## Het accupack klaarmaken voor recycling

**Belangrijk:** Neem het accupack van het gereedschap en bedek de contacten met stevig plakband. Probeer niet om het accupack te vernietigen of te demonteren, of onderdelen ervan te verwijderen.

Neem contact op met uw plaatselijke gemeente of uw erkende Toro-distributeur verdeler voor meer informatie over hoe u de accu op een verantwoorde manier kunt recyclen.



# Problemen, oorzaak en remedie

Probleem	Mogelijke oorzaak	Remedie
De machine loopt niet of niet continu.	<ol style="list-style-type: none"> <li>1. De automatische uitschakeling van de motor werd geactiveerd omdat de wormas langere tijd niet is ingeschakeld.</li> <li>2. Het sleuteltje werd te snel gedraaid van UIT naar AAN.</li> <li>3. De spanning in het accupack is te laag.</li> <li>4. Het accupack zit niet helemaal op zijn plaats.</li> <li>5. Het accupack is boven of onder het geschikte temperatuurbereik.</li> <li>6. Het accupack heeft de bovenlimiet van de ampère overschreden.</li> <li>7. Er zit vocht op de kabels van het accupack.</li> <li>8. Het accupack is beschadigd.</li> <li>9. Er is een ander elektrisch probleem met de machine.</li> </ol>	<ol style="list-style-type: none"> <li>1. Geen probleem, start de machine weer. De machine piept om aan te geven dat de automatische uitschakeling van de motor geactiveerd is.</li> <li>2. Draai het sleuteltje langzamer, verzeker dat het sleuteltje kort stopt in de middenstand ACCESSOIRE.</li> <li>3. Het accupack opladen.</li> <li>4. Breng het accupack helemaal aan in de accubehuizing.</li> <li>5. Verplaats het accupack naar een locatie waar het droog is en de temperatuur tussen 5 en 40 °C ligt.</li> <li>6. Laat de trekker los en druk op de trekkerschakelaar.</li> <li>7. Laat het accupack drogen of veeg het droog.</li> <li>8. Vervang het accupack.</li> <li>9. Neem contact op met een erkende servicedealer.</li> </ol>
De machine kan niet op volle kracht draaien.	<ol style="list-style-type: none"> <li>1. De laadcapaciteit van het accupack is te laag.</li> <li>2. De ontluuchtingsgaten zijn geblokkeerd.</li> </ol>	<ol style="list-style-type: none"> <li>1. Verwijder het accupack uit de machine en laad het accupack volledig op.</li> <li>2. Reinig de ontluuchtingsgaten.</li> </ol>
De machine piept.	<ol style="list-style-type: none"> <li>1. De automatische uitschakeling van de motor werd geactiveerd omdat de wormas langere tijd niet is ingeschakeld. De automatische uitschakeling van de motor werd geactiveerd omdat de wormas langere tijd niet is ingeschakeld.</li> <li>2. De spanning in het accupack is te laag.</li> <li>3. De machine wordt te zwaar belast.</li> <li>4. Er is een ander elektrisch probleem met de machine.</li> </ol>	<ol style="list-style-type: none"> <li>1. Geen probleem, start de machine weer. Geen probleem, start de machine weer. De machine piept om aan te geven dat de automatische uitschakeling van de motor geactiveerd is. De machine piept om aan te geven dat de automatische uitschakeling van de motor geactiveerd is.</li> <li>2. Het accupack opladen.</li> <li>3. Loop langzamer bij het ruimen van sneeuw, of maak een grote hoop sneeuw los voordat u deze ruimt.</li> <li>4. Volg de suggesties voor het oplossen van problemen. Als het piepen doorgaat neem dan contact op met een erkende servicedealer.</li> </ol>
De machine draait, maar ze werpt weinig of geen sneeuw uit.	<ol style="list-style-type: none"> <li>1. De machine gaat te snel om sneeuw te ruimen.</li> <li>2. U probeert te veel sneeuw per werkgang te ruimen.</li> <li>3. U probeert erg zware of natte sneeuw te ruimen.</li> <li>4. Het uitwerpkanaal is verstopt.</li> <li>5. De aandrijfriem van de wormas/impeller zit los of is van de poelie gelopen.</li> <li>6. De aandrijfriem van de wormas/impeller is versleten of beschadigd.</li> </ol>	<ol style="list-style-type: none"> <li>1. Schakel de machine in een lagere versnelling.</li> <li>2. Ruim minder sneeuw per werkgang.</li> <li>3. Overbelast de machine niet met erg zware of natte sneeuw.</li> <li>4. Maak het uitwerpkanaal vrij.</li> <li>5. Monteer de aandrijfriem van de wormas/impeller en/of stel deze af; raadpleeg <a href="http://www.Toro.com">www.Toro.com</a> voor service-informatie of breng de machine naar een erkende servicedealer.</li> <li>6. Vervang de aandrijfriem van de wormas/impeller; raadpleeg <a href="http://www.Toro.com">www.Toro.com</a> voor service-informatie of breng de machine naar een erkende servicedealer.</li> </ol>

<b>Probleem</b>	<b>Mogelijke oorzaak</b>	<b>Remedie</b>
Het uitwerpkanal kan niet vergrendeld worden of beweegt niet.	1. De vergrendelingskabel van het uitwerpkanal is niet juist afgesteld.	1. Stel de vergrendelingskabel van het uitwerpkanal af.
De machine maakt de ondergrond niet goed vrij van sneeuw.	1. De glijders en/of schraper zijn niet juist afgesteld. 2. De bandenspanning in de twee banden is niet gelijk.	1. Stel de glijders en/of de schraper af. 2. Controleer en wijzig de spanning in één of beide banden.
Het accupack verliest snel de lading.	1. Het accupack is boven of onder het geschikte temperatuurbereik. 2. De machine wordt te zwaar belast.	1. Verplaats het accupack naar een locatie waar het droog is en de temperatuur tussen 5 en 40 °C ligt. 2. Duw niet zo hard tegen de machine.
De acculader werkt niet.	1. De acculader is boven of onder het geschikte temperatuurbereik. 2. Het stopcontact waarin de acculader zit heeft niet genoeg stroom.	1. Koppel de acculader af en verplaats deze naar een locatie waar het droog is en de temperatuur tussen 5 en 40 °C ligt. 2. Neem contact op met uw bevoegde elektricien om het stopcontact te herstellen.
Het ledindicatielampje op de acculader is rood.	1. Het accupack en/of de acculader zijn/is boven of onder het geschikte temperatuurbereik.	1. Koppel de acculader af en verplaats de acculader en het accupack naar een locatie waar het droog is en de temperatuur tussen 5 en 40 °C ligt.
Het ledindicatielampje op de acculader knippert rood.	1. Er is een fout in de communicatie tussen het accupack en de lader. 2. Het accupack is zwak.	1. Verwijder het accupack van de acculader, haal de acculader uit het stopcontact en wacht 10 seconden. Sluit de acculader opnieuw aan op het stopcontact en plaats het accupack op de acculader. Als het ledindicatielampje op de acculader nog steeds rood knippert, moet u deze procedure herhalen. Als het ledindicatielampje op de acculader na 2 pogingen nog steeds rood knippert, moet u het accupack volgens de gepaste procedure afvoeren in een recyclingcentrum. 2. Neem contact op met uw erkende servicedealer als de accu in garantie is, of voer het accupack volgens de gepaste procedure af in een recyclingcentrum.

# Opmerkingen:

## Privacyverklaring EEA/VK

### Toro's gebruik van uw persoonlijke gegevens

The Toro Company ("Toro") respecteert uw recht op privacy. Wanneer u onze producten koopt, kunnen we bepaalde persoonlijke informatie over u verzamelen, ofwel rechtstreeks via u ofwel via uw plaatselijk Toro- bedrijf of dealer. Toro gebruikt deze informatie om te voldoen aan contractuele verplichtingen – zoals het registreren van uw garantie, het behandelen van uw garantieclaim of om contact met u op te nemen in het geval van terugroepacties – en voor legitieme zakelijke doeleinden – zoals klanttevredenheid meten, onze producten verbeteren of u productinformatie verschaffen die van belang kan zijn. Toro kan uw informatie delen met onze dochterondernemingen, verdelers distributeurs of andere zakenpartners in verband met deze activiteiten. We kunnen ook persoonlijke informatie vrijgeven van rechtswege of in verband met de verkoop, aankoop of fusie van een bedrijf. We verkopen uw persoonsgegevens nooit aan andere bedrijven voor marketingdoeleinden.

### Bewaring van uw persoonsgegevens

Toro bewaart uw persoonlijke informatie zolang deze relevant is voor de bovengenoemde doeleinden en in overeenstemming is met de wettelijke vereisten. Gelieve contact op te nemen via [legal@toro.com](mailto:legal@toro.com) voor meer informatie over de bewaarperiodes die van toepassing zijn.

### Toro's engagement inzake veiligheid

Uw persoonlijke informatie kan behandeld worden in de VS of een ander land dat mogelijk soepelere databeschermingswetten heeft dan het land waar u verblijft. Indien we uw informatie overdragen naar een ander land dan het land waar u verblijft, nemen wij de wettelijk verplichte maatregelen om ervoor te zorgen dat de informatie op gepaste wijze wordt beschermd en veilig wordt behandeld.

### Toegang en correctie

U hebt het recht om uw persoonlijke gegevens te corrigeren of te raadplegen, of zich te verzetten tegen de verwerking van uw gegevens of deze te beperken. Om deze rechten uit te oefenen, gelieve een e-mail te sturen naar [legal@toro.com](mailto:legal@toro.com). Als u zich zorgen maakt over de manier waarop Toro uw informatie heeft behandeld, vragen wij u om deze direct ten aanzien van ons te uiten. Europese burgers hebben het recht om een klacht in te dienen bij hun gegevensbeschermingsautoriteit.