



# Fixed Head 200mm (8in) Fitting Unit

## T4240 Mower

Model No. 02826

### Installation Instructions

## Loose Parts

Use the chart below to verify that all parts have been shipped.

Description	Qty.	Use
Roller	2	Install the fitting unit.
Split pin	2	
Left bracket	1	
Right bracket	1	
Nut	4	
Washer	4	
Bolt	4	

This product complies with all relevant European directives. For details, please see the Declaration of Incorporation (DOI) at the back of this publication.

- Secure the left-wing head stop bracket to the inside end of the left-wing cutterhead using 2 bolts, nuts, and, washers (Figure 1).

## Installing the Fitting Unit

**Note:** Arrows indicate forward direction.

- Remove the existing split pins, washers, and front rollers and retain them (Figure 1).

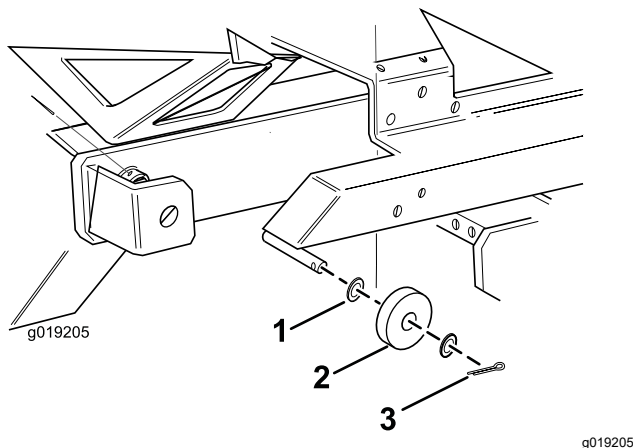


Figure 1

- Washer (existing part)
- Roller
- Split pin

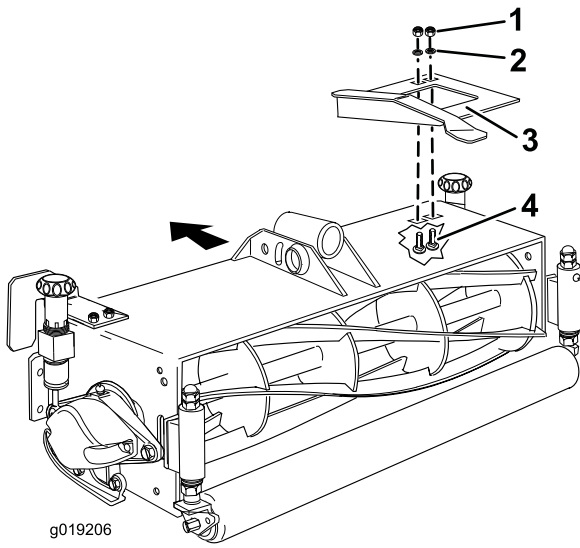
- Install the original washer, the new split pin, and the new front rollers.

### ⚠ CAUTION

Contact with the reel blade when fitting the bolts can cause injury.

Use caution when fitting the bolts to the cutterhead.





g019206

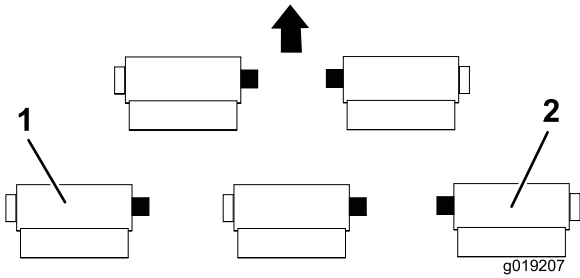
g019206

**Figure 2**

Left cutterhead shown

- |           |            |
|-----------|------------|
| 1. Nut    | 3. Bracket |
| 2. Washer | 4. Bolt    |

4. Secure the right-wing head stop bracket to the inside end of the right-wing cutterhead using 2 bolts, nuts, and washers ([Figure 3](#)).



g019207

g019207

**Figure 3**

- |                         |                          |
|-------------------------|--------------------------|
| 1. Left-wing cutterhead | 2. Right-wing cutterhead |
|-------------------------|--------------------------|

# Declaration of Incorporation

The Toro Company, 8111 Lyndale Ave. South, Bloomington, MN, USA declares that the following unit(s) conform(s) to the directives listed, when installed in accordance with the accompanying instructions onto certain Toro models as indicated on the relevant Declarations of Conformity.

Model No.	Serial No.	Product Description	Invoice Description	General Description	Directive
02826	—	Fixed Head 200mm (8in) Fitting Unit, T4240 Mower	FIXED CUTTERHEAD - 200MM FIT KIT	Fit kit	2006/42/EC

Relevant technical documentation has been compiled as required per Part B of Annex VII of 2006/42/EC.

We will undertake to transmit, in response to requests by national authorities, relevant information on this partly completed machinery. The method of transmission shall be electronic transmittal.

This machinery shall not be put into service until incorporated into approved Toro models as indicated on the associated Declaration of Conformity and in accordance with all instructions, whereby it can be declared in conformity with all relevant Directives.

Certified:



Tom Langworthy  
Engineering Director  
8111 Lyndale Ave. South  
Bloomington, MN 55420, USA  
November 7, 2022

Authorized Representative:

Marcel Dutrieux  
Manager European Product Integrity  
Toro Europe NV  
Nijverheidsstraat 5  
2260 Oevel  
Belgium

# UK Declaration of Incorporation

The Toro Company, 8111 Lyndale Ave. South, Bloomington, MN, USA declares that the following unit(s) conform(s) to the regulations listed, when installed in accordance with the accompanying instructions onto certain Toro models as indicated on the relevant Declarations of Conformity.

Model No.	Serial No.	Product Description	Invoice Description	General Description	Regulation
02826	—	Fixed Head 200mm (8in) Fitting Unit, T4240 Mower	FIXED CUTTERHEAD - 200MM FIT KIT	Fit kit	S.I. 2008 No. 1597

Relevant technical documentation has been compiled as required per Schedule 10 of S.I. 2008 No. 1597.

We will undertake to transmit, in response to requests by national authorities, relevant information on this partly completed machinery. The method of transmission shall be electronic transmittal.

This machinery shall not be put into service until incorporated into approved Toro models as indicated on the associated Declaration of Conformity and in accordance with all instructions, whereby it can be declared in conformity with all relevant Regulations.

This declaration has been issued under the sole responsibility of the manufacturer.  
The object of the declaration is in conformity with relevant UK legislation.



Tom Langworthy  
Engineering Director  
8111 Lyndale Ave. South  
Bloomington, MN 55420, USA  
November 7, 2022

Authorized Representative:

Marcel Dutrieux  
Manager European Product Integrity  
Toro U.K. Limited  
Spellbrook Lane West  
Bishop's Stortford  
CM23 4BU  
United Kingdom