



**Count on it.**

**Parts Catalog**

**TimeMaster 76cm**

**Lawn Mower**

Model No. 21811—Serial No. 409032220 and Up



# Ordering Replacement Parts

To order replacement parts, please supply the part number, the quantity, and the description of each part desired.

## Understanding Reference Numbers

Each identified part in an illustration has a reference number. The reference number for a part also appears in the parts list, along with other information about the part.

This catalog uses two special reference number formats, one to indicate parts in a service assembly and another to indicate the quantity of a given part in an illustration.

## Service Assembly Reference Numbers

Parts in service assemblies have reference numbers in the form a:b. The a represents the reference number of the entire service assembly and the b represents a sequential number unique to each part within the service assembly.

For example, a wheel assembly might be identified by reference number 6, the tire by 6:1, the valve by 6:2, and the wheel by 6:3. When you order the assembly identified by reference number 6, you receive all parts identified by reference numbers 6:1, 6:2, and 6:3. However, you may also order any part individually. Reference numbers of this type appear in illustration and in parts lists.

## Reference Numbers Indicating Quantity

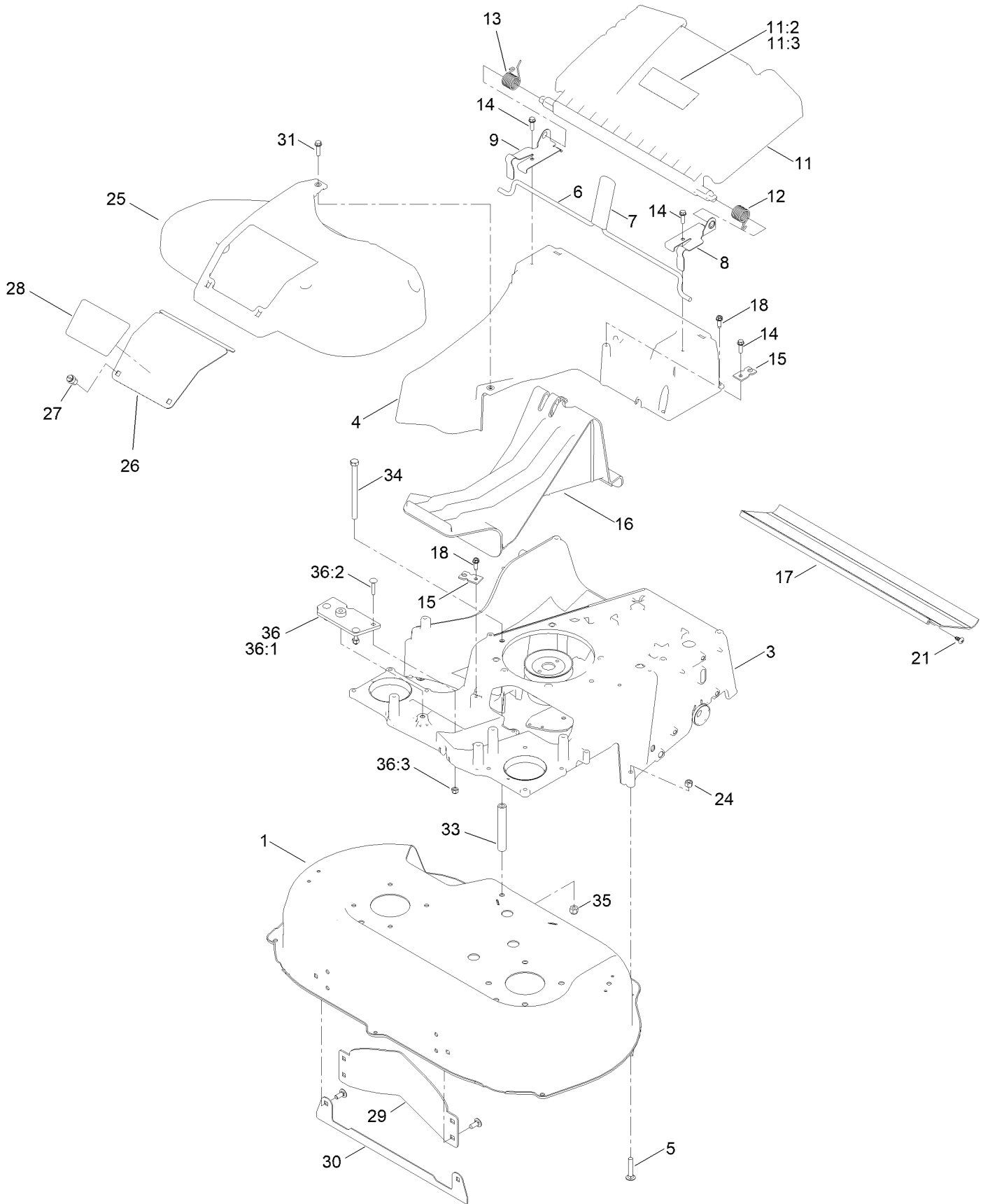
In an illustration, if a reference number indicates more than one part, the reference number has the form nX y. The n represents the quantity of the part, the X is the multiplication symbol, and the y represents the reference number.

For example, in an illustration, the reference number 2X 37 means that two of the parts identified by reference number 37 are indicated.

# Contents

Housing Assembly .....	4
Spindle and Belt Assembly .....	6
Side Discharge Chute Assembly .....	8
Bag Assembly .....	10
Engine and Belt Assembly .....	12
Front Wheel and Height-of-Cut Assembly .....	14
Rear Wheel and Height-of-Cut Assembly .....	16
Handle Assembly .....	18
Attachments and Accessories .....	20

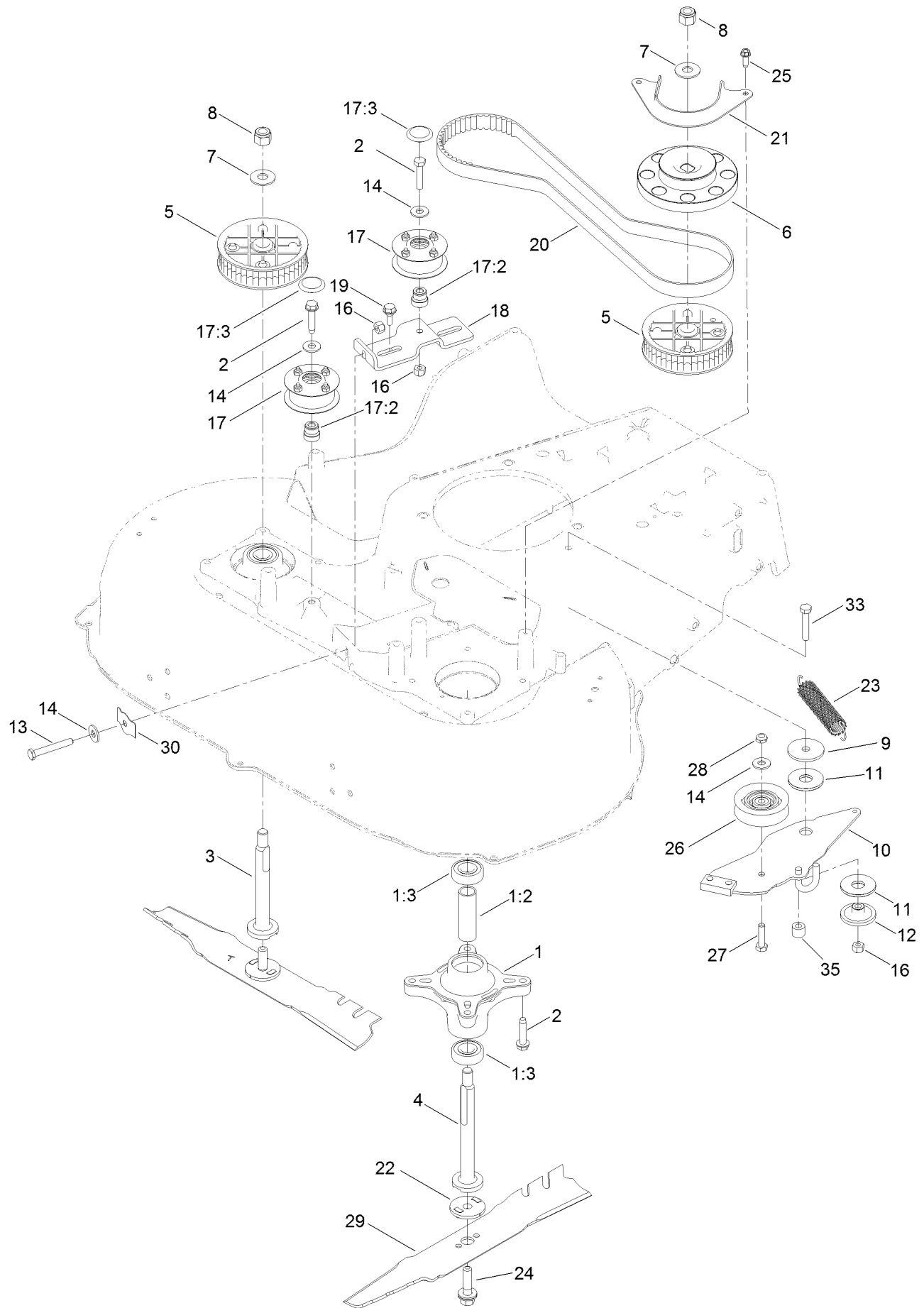
# Housing Assembly



## Housing Assembly (continued)

<i>Ref.</i>	<i>Part Number</i>	<i>Qty.</i>	<i>Description</i>	<i>Ref.</i>	<i>Part Number</i>	<i>Qty.</i>	<i>Description</i>
1	136-5874	1	Housing ASM	18	49-2040	8	Screw-HWHTF
3	140-3977-01	1	Frame-30"	21	139-1692	2	Screw-Thd
4	133-8177	1	Chute	24	119-4038	2	Nut-Hex
5	137-3063	2	Bolt-Car	25	139-5406	1	Cover-Belt
6	139-5415	1	Rod-Release, Handle	26	121-5793-03	1	Door-Access
7	120-7018	1	Grip-Lever	27	121-5840	2	Fastener
8	121-9114	1	Bracket-Door, LH	28	125-2507	1	Decal-Access Panel
9	121-9115	1	Bracket-Door, RH	29	130-2352-01	1	Baffle-Control
11	120-7048	1	Rear Deflector ASM	30	125-5081-01	1	Plate-Deck
11:2	120-7068	1	Artwork-Warning	31	32144-86	1	Screw-HWHTF
11:3	131-4514	1	Decal-Warning	33	139-5498	1	Spacer-Shield
12	115-2859	1	Spring-Torsion	34	139-5409	1	Screw-HH
13	114-7924	1	Spring-Torsion	35	137-3087	1	Nut-Hex
14	137-3099	3	Screw-Plastite, HWH	36	125-5072	1	Frame Plate Kit
15	138-3224	2	Bracket-Cable, Traction	36:1	125-2542	1	Plate-Frame
16	120-5225	1	Plug-Mulch	36:2	3229-3	3	Screw-CARR
17	120-6241	1	Shield-Trailing	36:3	3296-42	3	Nut-Lock, NI

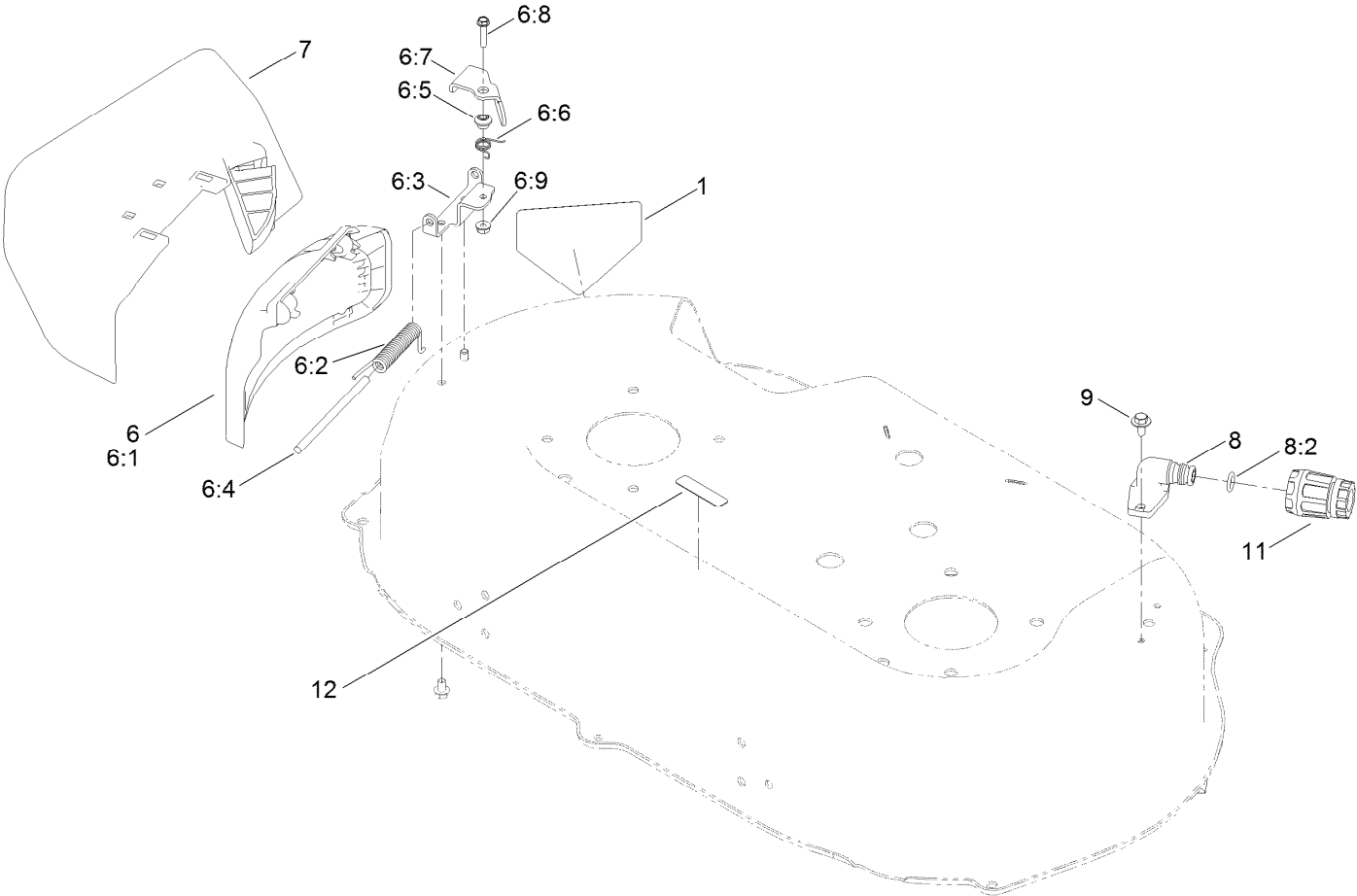
# Spindle and Belt Assembly



## Spindle and Belt Assembly (continued)

<i>Ref.</i>	<i>Part Number</i>	<i>Qty.</i>	<i>Description</i>	<i>Ref.</i>	<i>Part Number</i>	<i>Qty.</i>	<i>Description</i>
1	121-9107	2	Spindle ASM	17:2	131-4504	1	Adapter-Bore
1:2	120-7935	2	Spacer	17:3	125-2533	1	Plug-Cap
1:3	136-5441	2	Bearing-Ball	18	138-3232	1	Bracket-Idler
2	139-1731	9	Screw-Thd Roll, HWH	19	139-1730	2	Screw-Shoulder, HHF
3	139-6612	1	Shaft-Spindle	20	120-3335	1	Belt-Synchronous
4	139-6613	1	Shaft-Spindle	21	120-5245-03	1	Guide-Belt, Spindle
5	121-9100	2	Sprocket	22	120-5236	2	Adapter-Blade
6	130-6664	1	Pulley-Brake, Spindle	23	121-5808	1	Spring-Extension, Brake
7	109-9505	2	Washer-Spring	24	125-2466	2	Bolt-Blade
8	139-1725	2	Nut-Hex	25	49-2040	2	Screw-HWHTF
9	139-1726	1	Washer-Rebound	26	120-7082	1	Pulley-Idler
10	133-8102	1	Brake Arm ASM	27	120-9696	1	Screw-HH
11	121-2305	2	Washer-Friction, Composite	28	137-3089	1	Nut-Hex
12	138-3244	1	Spacer	29	116-6358-03	2	Blade-Rotary
13	139-1728	1	Bolt-HH Ft	30	121-2336	1	Spring-Flat
14	139-1723	4	Washer-Flat	33	139-1719	1	Screw-HH
16	119-4038	3	Nut-Hex	35	133-1964	1	Spacer
17	139-1758	2	Pulley Kit				

# Side Discharge Chute Assembly

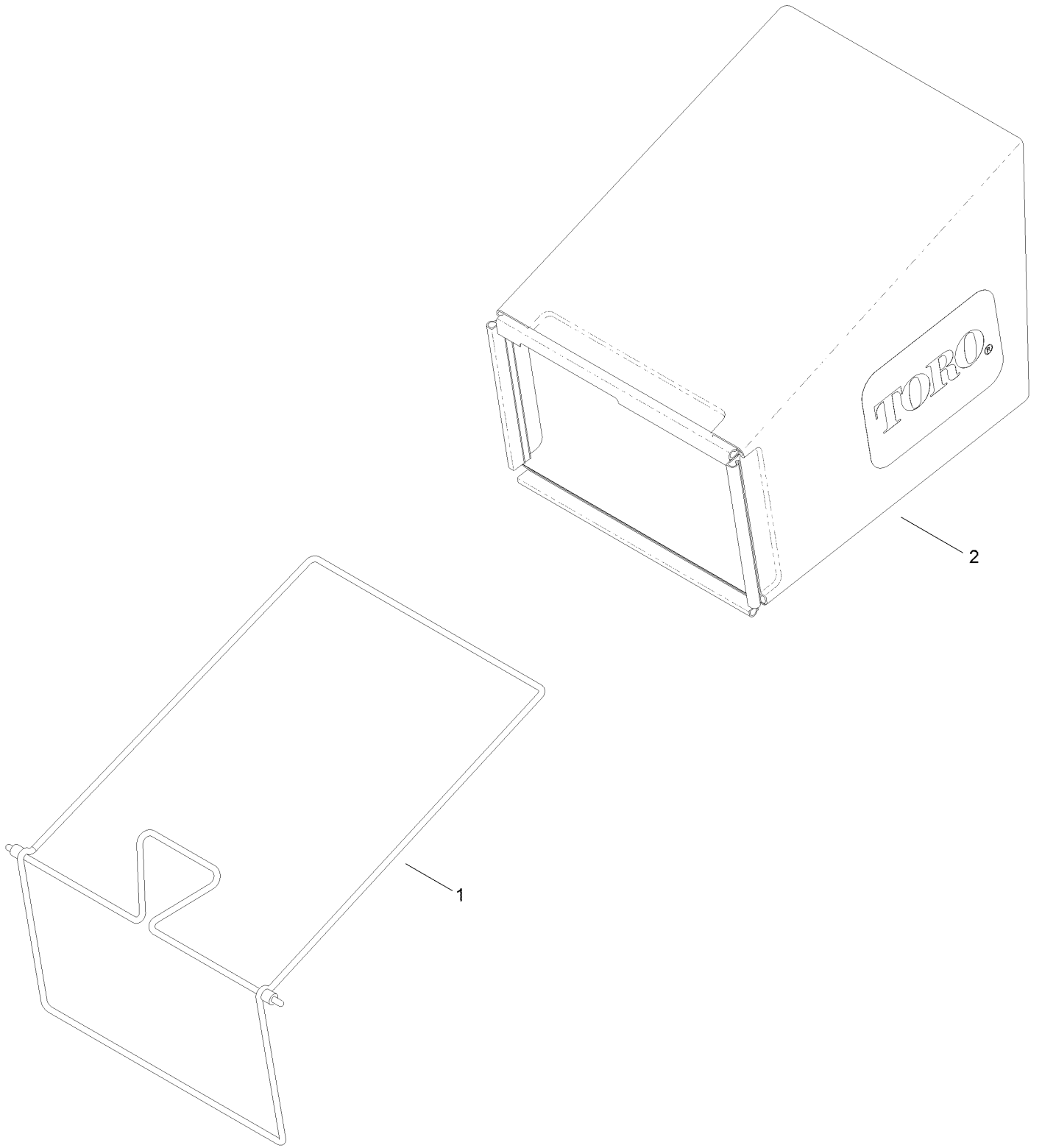




## Side Discharge Chute Assembly (continued)

<i>Ref.</i>	<i>Part Number</i>	<i>Qty.</i>	<i>Description</i>	<i>Ref.</i>	<i>Part Number</i>	<i>Qty.</i>	<i>Description</i>
1	112-8760	1	Decal-Danger	6:8	106-9169	1	Screw-HWH
6	138-5325	1	Side Deflector Service ASM	6:9	32128-17	1	Nut-Lock, Flange
6:1	138-5317	1	Deflector-Discharge, Side	7	139-5416	1	Side Discharge Chute ASM
6:2	127-0721	1	Spring-Torsion, Cover	8	133-9289	1	Fitting-Washout
6:3	138-3293	1	Bracket-Lockout	8:2	133-9290	1	O-Ring
6:4	99-5291	1	Rod-Cover	9	139-1700	2	Screw-HWH, Thd Roll
6:5	107-7463	1	Spacer	11	95-3270	1	Connector-Hose
6:6	107-7462	1	Spring-Torsion	12	120-9570	1	Decal-Warning
6:7	138-3292	1	Lever-Lockout				

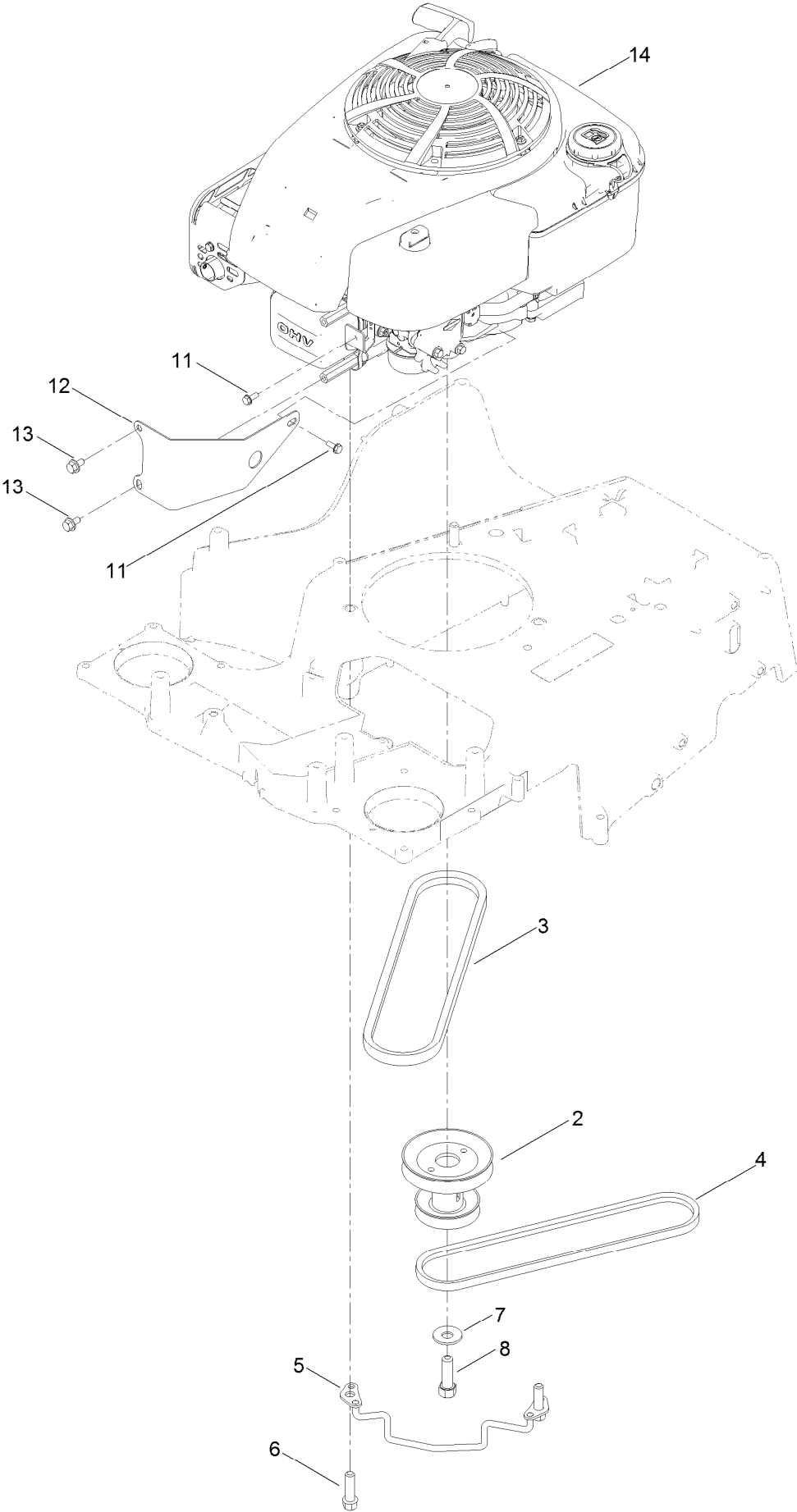
# Bag Assembly



## Bag Assembly (continued)

<i>Ref.</i>	<i>Part Number</i>	<i>Qty.</i>	<i>Description</i>
1	121-5766-03	1	Frame-Bag
2	121-5770	1	Bag-Grass

# Engine and Belt Assembly



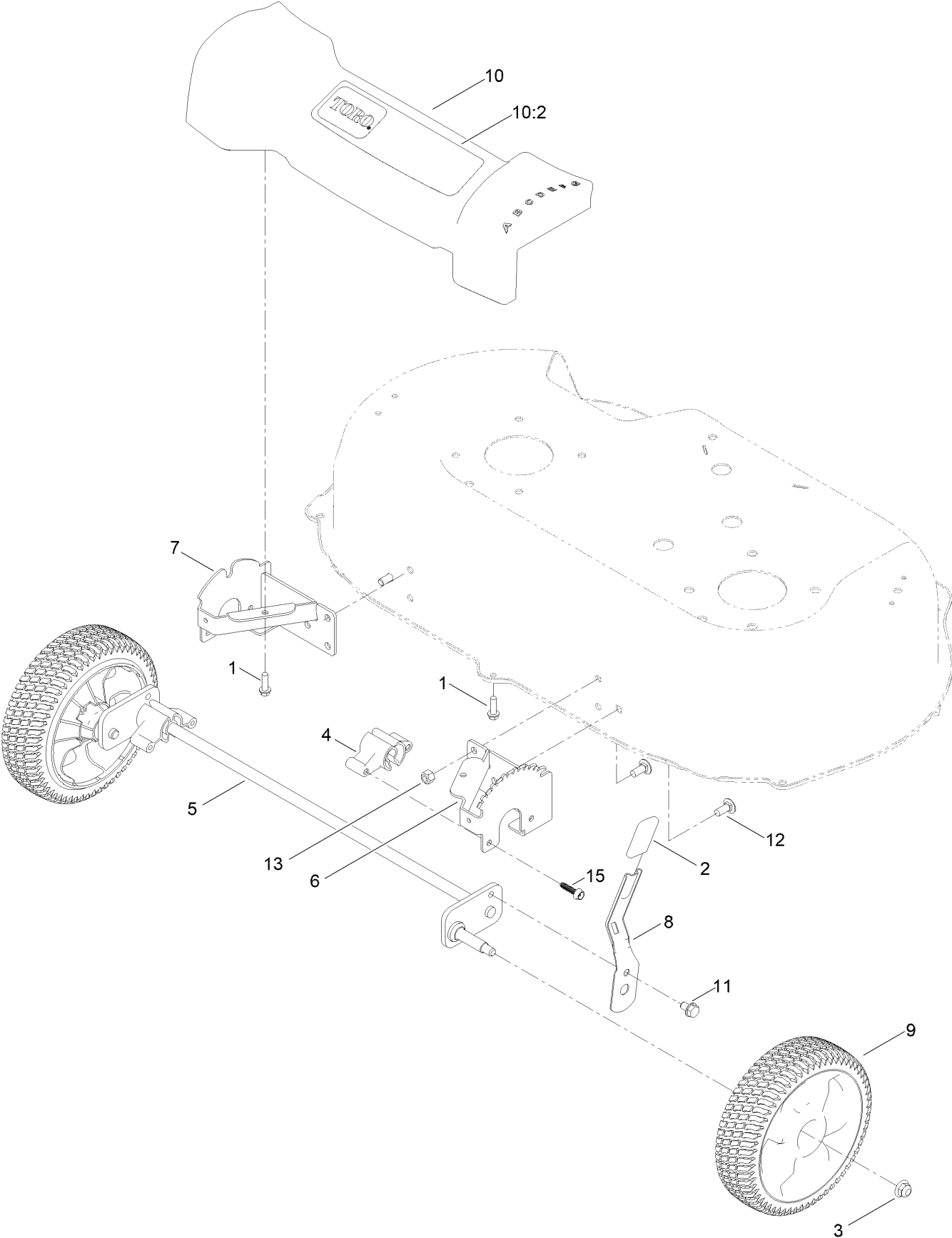
## Engine and Belt Assembly (continued)

<i>Ref.</i>	<i>Part Number</i>	<i>Qty.</i>	<i>Description</i>	<i>Ref.</i>	<i>Part Number</i>	<i>Qty.</i>	<i>Description</i>
2	137-9176	1	Pulley-Engine	8	26-0671	1	Screw-HH
3	121-5765	1	V-Belt	11	139-1713	1	Screw-Taptite
4	120-9470	1	V-Belt, Traction	12	131-0889-03	1	Guard-Engine
5	139-1734	1	Guide-Belt, Wa	13	126-2713	2	Screw-HHF
6	95-1727	3	Screw-Taptite	14		1	Engine-Briggs,14D9350113F1
7	3290-465	1	Washer-Belleville				● ■

● Not serviced separately

■ Obtain parts from [www.briggsandstratton.com](http://www.briggsandstratton.com)

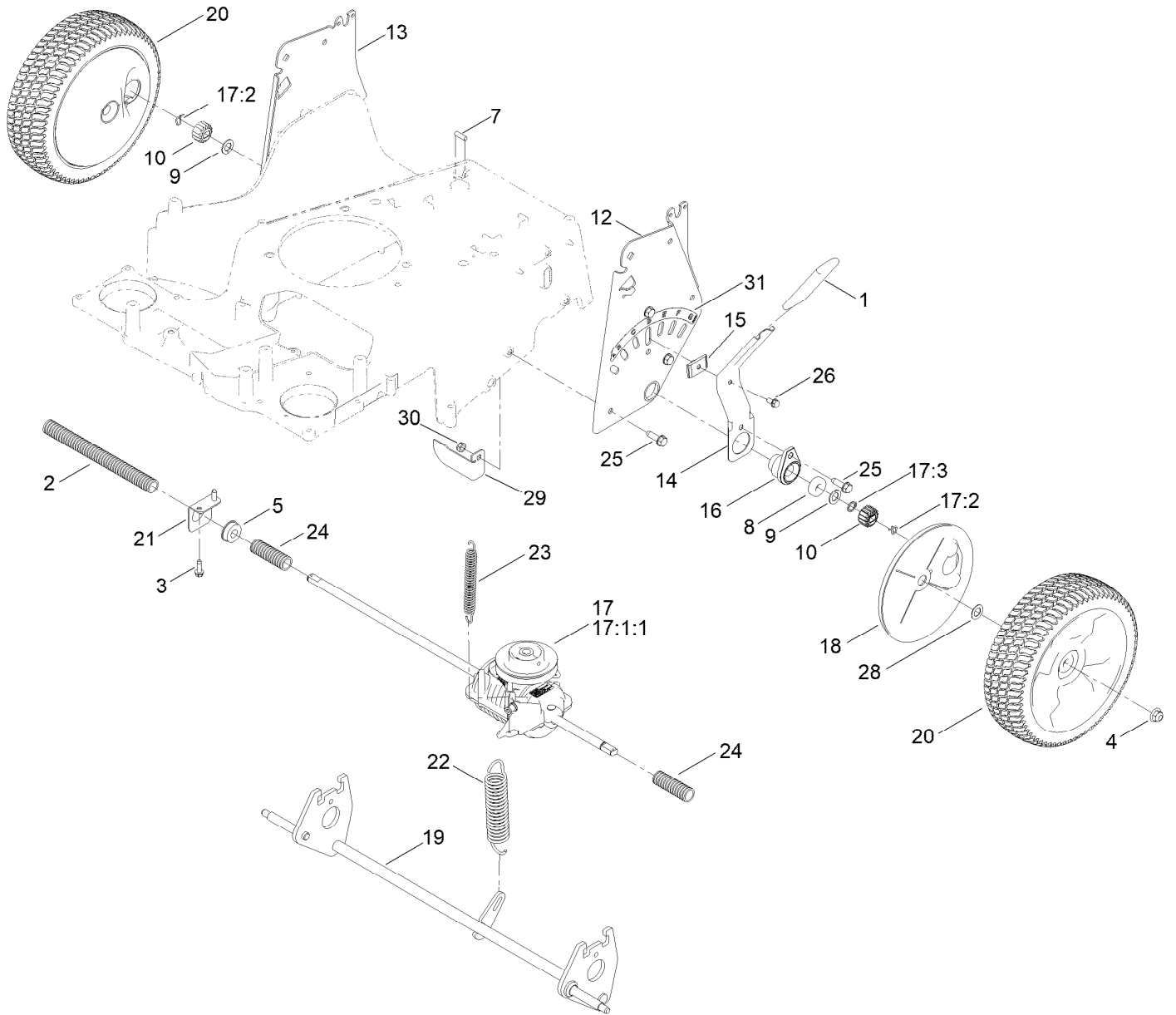
# Front Wheel and Height-of-Cut Assembly



## Front Wheel and Height-of-Cut Assembly (continued)

<i>Ref.</i>	<i>Part Number</i>	<i>Qty.</i>	<i>Description</i>	<i>Ref.</i>	<i>Part Number</i>	<i>Qty.</i>	<i>Description</i>
1	137-3099	3	Screw-Plastite, HWH	9	125-2510	2	8 Inch Wheel ASM
2	120-9535	1	Grip-Lever	10	125-5027	1	Front Cover ASM
3	119-4042	2	Nut-HF, NI	10:2	121-2392	1	Decal-Cover, Front
4	136-5875	2	Bushing-Pivot, Front	11	139-1727	1	Screw-HWH, Thd Roll
5	139-1753	1	Front Axle ASM	12	137-3061	6	Bolt-CARR
6	120-7037-03	1	Plate-HOC, LH	13	119-4038	6	Nut-Hex
7	120-7038-03	1	Plate-HOC, RH	15	130-6658	4	Screw-Flange, Plastic
8	120-7043	1	Arm-Spring				

# Rear Wheel and Height-of-Cut Assembly



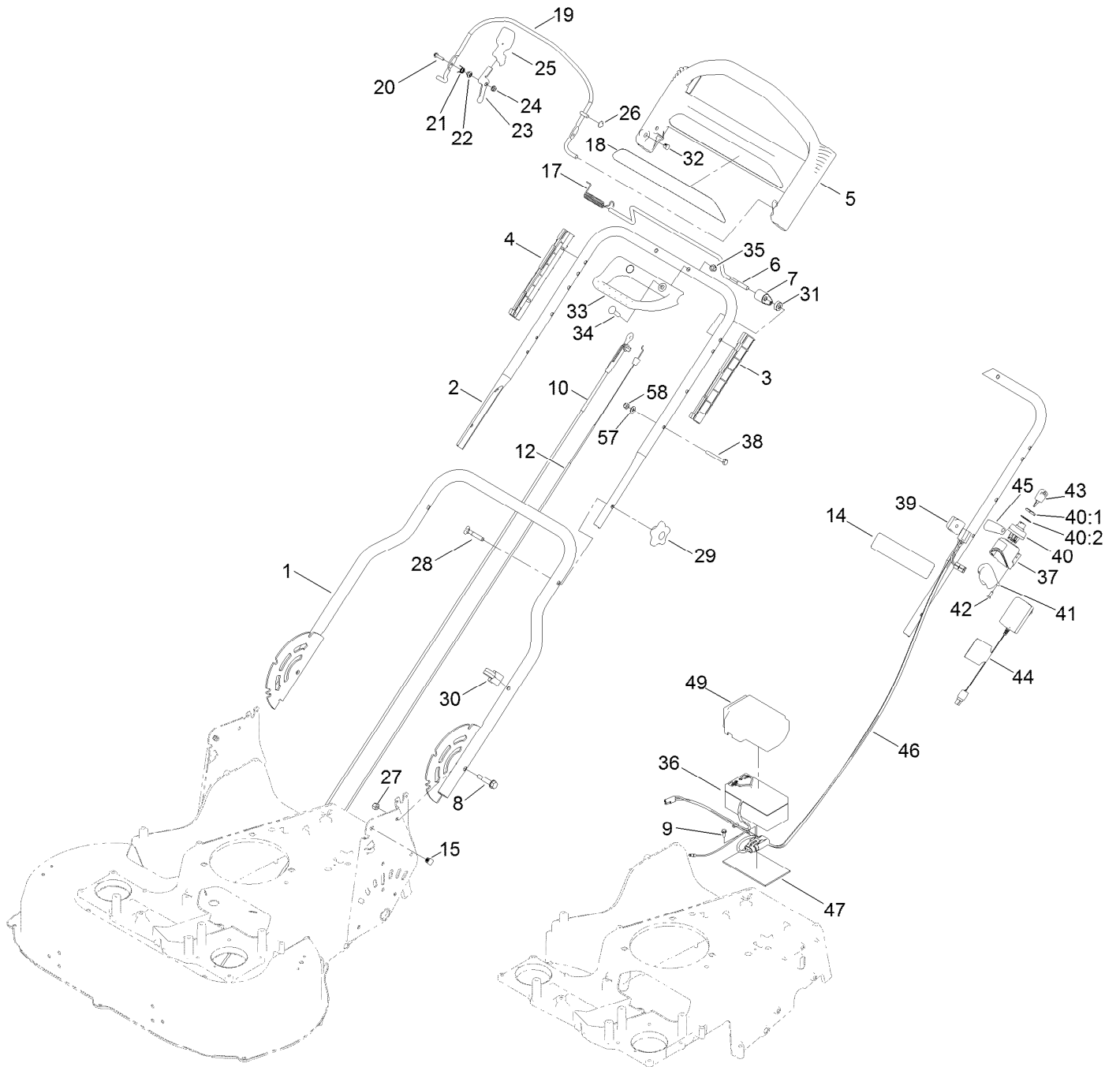


## Rear Wheel and Height-of-Cut Assembly (continued)

<i>Ref.</i>	<i>Part Number</i>	<i>Qty.</i>	<i>Description</i>	<i>Ref.</i>	<i>Part Number</i>	<i>Qty.</i>	<i>Description</i>
1	137-4796	1	Grip-Lever, Lift	17:2	130-2369	2	Pin-Snap
2	121-5799	1	Conduit-Convolute	17:3	32151-61	1	Ring-Retaining
3	49-2040	2	Screw-HWHTF	18	120-6233	2	Cover-Gear
4	119-4042	2	Nut-HF, NI	19	140-4048	1	Rear Axle ASM
5	104-8699	1	Bearing-Ball	20	125-2509	2	10 Inch Wheel Gear ASM
7	106-5681	1	Pin-Stop	21	138-3233	1	Mount-Bearing
8	133-2603	2	Bearing-Ball	22	120-7026	1	Spring-Extension
9	110-7191	2	Washer-Thrust	23	120-7027	1	Spring-Extension
10	131-5399	2	Gear-Pinion, 15T	24	121-5800	2	Conduit-Convolute
12	120-3342-03	1	Plate-HOC, LH	25	701243	8	Screw-Thd Roll, HWH
13	120-3343-03	1	Plate-HOC, RH	26	32144-4	1	Screw-HWH
14	120-5208	1	Arm-Spring, Rear	28	36-4780	2	Washer-Plain
15	120-5209	1	Key-Arm, Spring	29	138-5338	1	Bracket-Stop
16	136-5929	2	Retainer-Bearing	30	137-3089	1	Nut-Hex
17	131-9665	1	Transmission Kit	31	125-2497	1	Decal-HOC, Rear
17:1:1	130-2370	1	Transmission Pulley Kit ●				

● Not illustrated

# Handle Assembly



## Handle Assembly (continued)

<i>Ref.</i>	<i>Part Number</i>	<i>Qty.</i>	<i>Description</i>	<i>Ref.</i>	<i>Part Number</i>	<i>Qty.</i>	<i>Description</i>
1	120-5204-05	1	Handle-Lower	30	114-7988	1	Guide-Cable
2	132-4484-05	1	Handle-Upper	31	130-2343	1	Spacer
3	105-6842	1	Guide-LH	32	104-9368	1	Plug-Dome
4	105-6841	1	Guide-RH	33	131-0847	1	Handle-Assist, Traction
5	104-8678	1	Handle-Control	34	139-1702	2	Bolt-Carriage
6	136-7150	1	Bar-Control, Traction	35	137-4808	2	Nut-Acorn
7	127-6842	1	Lever-Traction	36	106-8397	1	Battery-Wet
8	139-1694	2	Bolt-Shoulder, HHF	37	108-3795	1	Housing-Switch, Key
9	139-1713	1	Screw-Taptite	38	137-3034	1	Screw-HH
10	133-1998	1	Cable-Brake	39	92-7729	1	Anchor-Cable, Upper
12	127-6867	1	Cable-Traction	40	23-0660	1	Switch-Starter
14	140-4357	1	Decal-Battery Charging	40:1	218-461	1	Nut-HH
15	132-4516	2	Plug-Square	40:2	3254-5	1	Washer-Lock
17	136-7166	1	Spring-Torsion	41	108-3796	1	Cover-Swch
18	120-3911	1	Decal-Handle	42	139-1703	2	Screw-Plastic, PPH
19	108-3788-03	1	Bail-Brake	43	700918	1	Key
20	106-9169	1	Screw-HWH	44	137-9153	1	Charger, Battery (12V, CE)
21	107-7462	1	Spring-Torsion	45	108-9751	1	Decal-Switch, Ignition
22	107-7463	1	Spacer	46	136-5895	1	Harness-Wire
23	138-3220	1	Lever	46:4	99-6124	1	Fuse-40 Amp ●
24	139-1712	1	Nut-Hex Flange	47	108-0987	1	Foam-Battery
25	112-8884	1	Knob	49	120-3329	1	Cover-Battery
26	3290-337	1	Nut-Speed	57	139-1699	1	Washer-Flat
27	119-4038	2	Nut-Hex	58	137-3094	1	Nut-Hex
28	137-3107	2	Screw-Handle	99	614249	3	Tie-Cable ●
29	117-5976	2	Knob-Handle				

● Not illustrated

# Attachments and Accessories

## For 21811 TimeMaster 76cm Lawn Mower

<b>Product Name</b>	<b>Model/Part</b>
Fuel Stabilizer .05 oz .....	130-2393
4-Cycle Fuel, Snow And Lawn 32oz Can .....	131-3823
Toro Premium Fuel Treatment 12 Oz Bottle .....	131-6572
Oil-30/10W-30 Synthetic (Quart).....	138-6053
Hi-Lift Repl Blade Kit Timemaster .....	20122P
Lawn Striping Kit with 30in Roller.....	20602
Toro 4-Cycle SAE 30 Oil (32oz Bottle) .....	38903
Summer Oil-Case of 24 (20oz Bottles).....	38916
Bag-Walk Behind (Toro).....	490-7318
Mower Cover .....	490-7461

**Notes:**

**Notes:**

**Notes:**



**Count on it.**