



**EN Flex-Force Power System™ 60V MAX 21in Recycler®
Lawn Mower with SmartStow®**

21326, 21326T

**ES Cortacésped Recycler® 60V MAX de 53 cm (21") con
Flex-Force Power System™ y SmartStow®**

21326, 21326T

**FR Tondeuse Recycler® 60 V MAX 53 cm (21 po)
Flex-Force Power System™ avec SmartStow®**

21326, 21326T





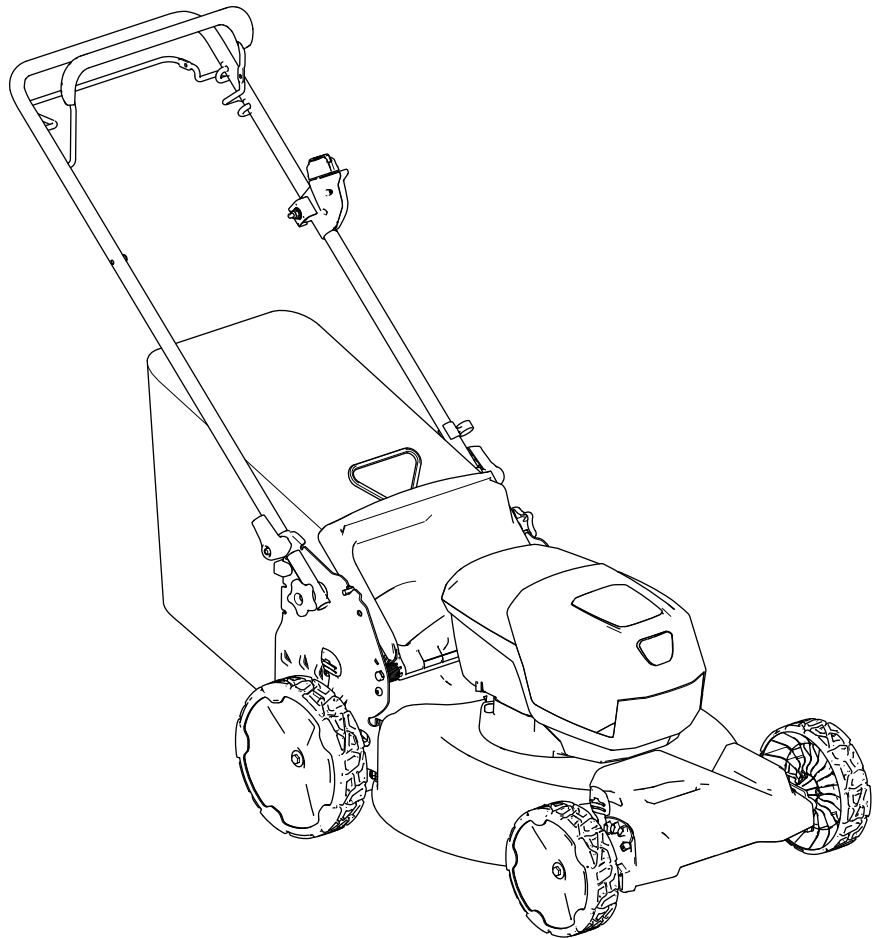
Count on it.

Operator's Manual

**Flex-Force Power System™ 60V
MAX 21in Recycler® Lawn Mower
with SmartStow®**

Model No. 21326—Serial No. 40000000 and Up

Model No. 21326T—Serial No. 40000000 and Up





For assistance, please see www.Toro.com/support for instructional videos or contact 1-888-384-9939 before returning this product.

⚠ WARNING

CALIFORNIA Proposition 65 Warning

The power cord on this product contains lead, a chemical known to the State of California to cause birth defects or other reproductive harm. Wash hands after handling.

Use of this product may cause exposure to chemicals known to the State of California to cause cancer, birth defects, or other reproductive harm.

Whenever you need service, genuine the manufacturer parts, or additional information, contact an Authorized Service Dealer or the manufacturer Customer Service and have the model and serial numbers of your product ready. **Figure 1** identifies the location of the model and serial numbers on the product. Write the numbers in the space provided.

Important: With your mobile device, you can scan the QR code on the serial number decal (if equipped) to access warranty, parts, and other product information.

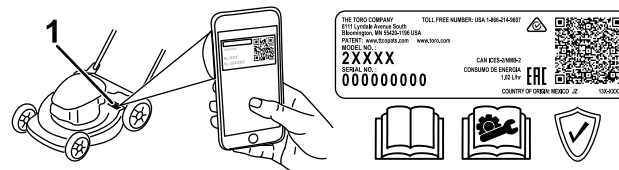


Figure 1

1. Model and serial number location

Model No.	_____
Serial No.	_____

Introduction

This rotary-blade, walk-behind lawn mower is intended to be used by residential homeowners. It is designed primarily for cutting grass on well-maintained lawns on residential properties. It is not designed for cutting brush or for agricultural uses.

It is designed to use Toro 60V lithium-ion battery packs. These battery packs are designed to be charged only by Toro 60V lithium-ion battery chargers. Using these products for purposes other than their intended use could prove dangerous to you and bystanders. Using these products for purposes other than their intended use could prove dangerous to you and bystanders.

Model 21326T does not include a battery or a charger.

Read this information carefully to learn how to operate and maintain your product properly and to avoid injury and product damage. You are responsible for operating the product properly and safely.

Visit www.Toro.com for more information, including safety tips, training materials, accessory information, help finding a dealer, or to register your product.

Safety-Alert Symbol

The safety-alert symbol (**Figure 2**) shown in this manual and on the machine identifies important safety messages that you must follow to prevent accidents.



Figure 2
Safety-alert symbol

The safety-alert symbol appears above information that alerts you to unsafe actions or situations and is followed by the word **DANGER, WARNING, or CAUTION.**

DANGER indicates an imminently hazardous situation which, if not avoided, **will** result in death or serious injury.

WARNING indicates a potentially hazardous situation which, if not avoided, **could** result in death or serious injury.

CAUTION indicates a potentially hazardous situation which, if not avoided, **may** result in minor or moderate injury.

This manual uses two other words to highlight information. **Important** calls attention to special

mechanical information and **Note** emphasizes general information worthy of special attention.

Contents

Safety-Alert Symbol	2
Safety	3
.....	3
Safety and Instructional Decals	6
Setup	9
1 Assembling the Grass Bag	9
2 Unfolding the Handle	9
Product Overview	11
Specifications	11
Attachments/Accessories	11
Before Operation	12
Installing the Battery Pack	12
Adjusting the Cutting Height	13
During Operation	14
Starting the Machine	14
Using the Self-Propel Drive	14
Recycling the Clippings	14
Bagging the Clippings	15
Shutting Off the Machine	15
Removing the Battery Pack from the Machine	15
Operating Tips	15
After Operation	16
Charging the Battery Pack	16
Cleaning the Machine	17
Folding the Handle	18
Storing the Machine in the Vertical-Stow Position	18
Maintenance	19
Lubricating the Machine	19
Replacing the Blade	19
Adjusting the Self-Propel Drive	20
Preparing the Battery Pack for Recycling	20
Storage	21
Troubleshooting	22

Safety

IMPORTANT SAFETY INSTRUCTIONS

⚠ WARNING

When using electric lawn mowers, basic safety precautions should always be followed to reduce the risk of fire, electric shock, and personal injury, including the following:

Read All Instructions

I. Training

1. The operator of the machine is responsible for any accidents or hazards occurring to others or their property.
2. Do not allow children to use or play with the machine, battery pack, or the battery charger; local regulations may restrict the age of the operator.
3. Do not allow children or untrained people to operate or service this device. Allow only people who are responsible, trained, familiar with the instructions, and physically capable to operate or service the device.
4. Before using the machine, battery pack, and battery charger, read all the instructions and cautionary markings on these products.
5. Become familiar with the controls and proper use of the machine, battery pack, and battery charger.

II. Preparation

1. Keep bystanders, especially children and pets, out of the operating area.
2. Do not operate the machine without all guards and safety devices, such as deflectors and grass catchers, in place and functioning properly on the machine.
3. Inspect the area where you will use the machine and remove all objects that could interfere with the operation of the machine or that the machine could throw.
4. Before using the machine, ensure that the blade, blade bolt, and blade assembly are not worn or damaged. Replace any damaged or unreadable labels.
5. Use only the battery pack specified by Toro. Using other accessories and attachments may increase the risk of injury and fire.
6. Plugging the battery charger into an outlet that is not 120V can cause a fire or electric shock. Do

- not plug the battery charger into an outlet other than 120V. For a different style of connection, use an attachment plug adapter of the proper configuration for the power outlet if needed.
7. Do not use a damaged or modified battery pack or battery charger, which may exhibit unpredictable behavior that results in fire, explosion, or risk of injury.
 8. If the supply cord to the battery charger is damaged, contact an Authorized Service Dealer to replace it.
 9. Charge the battery pack with only the battery charger specified by Toro. A charger suitable for 1 type of battery pack may create a risk of fire when used with another battery pack.
 10. Charge the battery pack in a well-ventilated area only.
 11. Follow all charging instructions and do not charge the battery pack outside of the temperature range specified in the instructions. Otherwise, you may damage the battery pack and increase the risk of fire.
 12. Dress properly—Wear appropriate clothing, including eye protection; long pants; substantial, slip-resistant footwear (not barefoot or wearing sandals); and hearing protection. Tie back long hair and do not wear loose clothing or loose jewelry that can get caught in moving parts. Wear a dust mask in dusty operating conditions.
 8. Remove the battery pack and electric-start button from the machine whenever you leave it unattended or before changing accessories.
 9. Do not force the machine—Allow the machine to do the job better and safer at the rate for which it was designed.
 10. Stay alert—Watch what you are doing and use common sense when operating the machine. Do not use the machine while ill, tired, or under the influence of alcohol or drugs.
 11. Do not use a battery-operated lawn mower in rain.
 12. Operate the machine only in good visibility and appropriate weather conditions. Do not operate the machine when there is the risk of lightning.
 13. Use extreme caution when reversing or pulling the machine toward you.
 14. Keep proper footing and balance at all times, especially on slopes. Mow across the face of slopes, never up and down. Use extreme caution when changing directions on slopes. Do not mow exceedingly steep slopes. Walk, never run with the machine.
 15. Do not direct the discharge material toward anyone. Avoid discharging material against a wall or obstruction; material may ricochet toward you. Stop the blade(s) when crossing surfaces other than grass.

III. Operation

1. Contact with the moving blade will cause serious injury. Keep your hands and feet away from the cutting area and all moving parts of the machine. Keep clear of any discharge opening.
2. Using this machine for purposes other than its intended use could prove dangerous to you and bystanders.
3. Disengage the self-propel drive (if equipped) before starting the machine.
4. Do not tilt the machine when starting the motor.
5. Prevent unintentional starting—Ensure that the electric-start button is removed from the electric-start switch before connecting the battery pack and handling the machine.
6. Use your full attention while operating the machine. Do not engage in any activity that causes distractions; otherwise, injury or property damage may occur.
7. Stop the machine, remove the electric-start button, remove the battery pack from the machine, and wait for all movement to stop before adjusting, servicing, cleaning, or storing the machine.
16. Watch for holes, ruts, bumps, rocks, or other hidden objects. Uneven terrain could cause you to lose your balance or footing.
17. Wet grass or leaves can cause serious injury if you slip and contact the blade. Do not mow in wet conditions. Do not mow when it is raining.
18. If the machine strikes an object or starts to vibrate, immediately shut off the machine, remove the electric-start button, remove the battery pack, and wait for all movement to stop before examining the machine for damage. Make all necessary repairs before resuming operation.
19. Stop the machine and remove the electric-start button before loading the machine for hauling.
20. Under abusive conditions, the battery pack may eject liquid; avoid contact. If you accidentally come into contact with the liquid, flush with water. If the liquid contacts your eyes, seek medical help. Liquid ejected from the battery pack may cause irritation or burns.

IV. Maintenance and Storage

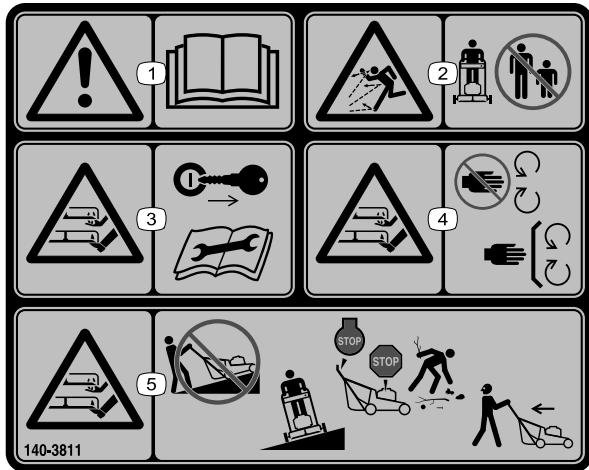
1. Stop the machine, remove the electric-start button, remove the battery pack from the machine, and wait for all movement to stop before adjusting, servicing, cleaning, or storing the machine.
2. Do not attempt to repair the machine except as indicated in the instructions. Have an Authorized Service Dealer perform service on the machine using identical replacement parts.
3. Wear gloves and eye protection when servicing the machine.
4. Sharpen a dull blade on both edges to maintain balance. Clean the blade and ensure that it is balanced.
5. Replace the blade if it is bent, worn, or cracked. An unbalanced blade causes vibration, which could damage the motor or cause personal injury.
6. When servicing the blade, be aware that the blade can still move even though the power source is off.
7. Check the grass collection bag frequently for deterioration or wear, and replace a worn bag with a Toro [replacement] bag.
8. For best performance, use only genuine Toro replacement parts and accessories. Other replacement parts and accessories could be dangerous, and such use could void the product warranty.
9. Maintain the machine—Keep cutting edges sharp and clean for the best and safest performance. Keep handles dry, clean, and free from oil and grease. Keep guards in place and in working order. Keep blades sharp. Use identical replacement blades only.
10. Check the machine for damaged parts—If there are damaged guards or other parts, determine whether the machine will operate properly. Check for misaligned and binding moving parts, broken parts, mounting, and any other condition that may affect its operation. Unless indicated in the instructions, have an Authorized Service Dealer repair or replace a damaged guard or part.
11. When the battery pack is not in use, keep it away from metal objects such as paper clips, coins, keys, nails, and screws that can make a connection from 1 terminal to another. Shorting the battery terminals may cause burns or a fire.
12. Check the blade and motor mounting bolts frequently for tightness.
13. When you are not using the machine, store it indoors in a dry, secure place out of the reach of children.
14. Do not expose a battery pack or machine to fire or excessive temperature. Exposure to fire or temperature above 130°C (265°F) may cause explosion.
15. CAUTION—A mistreated battery pack may present a risk of fire, explosion, or chemical burn.
 - Do not disassemble the battery pack.
 - Replace the battery pack with a genuine Toro battery pack only; using another type of battery pack may cause a fire or risk of injury.
 - Keep battery packs out of the reach of children and in the original packaging until you are ready to use them.

SAVE THESE INSTRUCTIONS

Safety and Instructional Decals



Safety decals and instructions are easily visible to the operator and are located near any area of potential danger. Replace any decal that is damaged or missing.



140-3811

decal140-3811

- Warning—read the *Operator's Manual*.
- Thrown object hazard—keep bystanders away.
- Cutting/dismember hazard, mower blade—remove the key and read the *Operator's Manual* before performing maintenance.
- Cutting/dismember hazard, mower blade—stay away from moving parts; keep all guards and shields in place.
- Cutting/dismember hazard, mower blade—do not mow up or down slopes; only mow across slopes; shut off the machine, wait for moving parts to stop, and pick up debris before mowing; look behind you when mowing in reverse.

Model 88650



145-1479

decal145-1479

- Read the *Operator's Manual*.
- Call2Recycle® battery recycling program
- Keep away from open fire or flames.
- Do not expose to rain.

Model 88610



144-3094

decal144-3094

- The battery pack is charging.
- The battery pack is fully charged.
- The battery pack is over or under the appropriate temperature range.
- Battery pack charging fault charged.

CAUTION TO REDUCE THE RISK OF INJURY, USER MUST READ AND UNDERSTAND INSTRUCTION MANUAL. Charge only TORO 60V Li-Ion rechargeable battery. Other types of batteries may burst causing personal injury and damage. DANGER: risk of electric shock. Do not expose to liquid, vapor, or rain. Do not interconnect output terminal. For indoor use only.

ATTENTION POUR RÉDUIRE LES RISQUES DE BLESSURE, L'UTILISATEUR DOIT LIRE ET COMPRENDRE LE MODE D'EMPLOI. Utiliser uniquement pour les batteries rechargeables type TORO 60V Li-Ion. D'autres types de batteries pourraient exploser et causer des blessures ou des dommages. DANGER : risque de décharge électrique. Ne pas exposer à des liquides, à la vapeur ou à la pluie. Ne pas interconnecter la borne de sortie. Pour usage intérieur uniquement.

PRECAUCIÓN PARA REDUCIR EL RIESGO DE LESIONES, EL USUARIO DEBE LEER Y COMPRENDER EL MANUAL DE INSTRUCCIONES. Cargue únicamente baterías recargables de ion-litio TORO de 60 V. Otros tipos de baterías pueden explotar y causar lesiones personales y daños materiales. PELIGRO: Riesgo de descarga eléctrica. No exponer a líquidos, vapor o lluvia. No interconectar un terminal de salida. Para uso en espacios interiores únicamente.

Conforme to / Conforme à la norme / Cumple la norma UL STD 1012 / Conforme al estándar / homologado según CSA STD 2222 No.1012
 Other than Class 2 Battery Charger / Autre que Chargeur de batterie Classe 2 / Cargador de baterías distinto al de Clase 2

800797
 SGS ENERGY EFFICIENCY
 CAN ICES-3(B)/NMB-3(B)
 FC BC

144-3096

decal144-3096

WARNING: Cancer and Reproductive Harm - www.P65Warnings.ca.gov.
 For more information, please visit www.tccoCAProp65.com

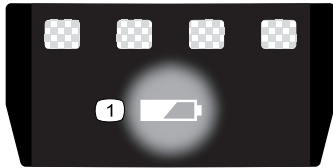
decal133-8061

133-8061



decal94-8072

94-8072



decal137-9461

137-9461

WARNING
 TO REDUCE THE RISK OF INJURY, INSPECT CATCHER ASSEMBLY FREQUENTLY AND REPLACE WITH RECOMMENDED REPLACEMENT IF THERE ARE SIGNS OF WEAR OR DETERIORATION.

ADVERTENCIA
 PARA REDUCIR EL RIESGO DE LESIONES, INSPECCIONE FRECUENTEMENTE EL ENSAMBLAJE DEL RECEPTOR Y CAMBIÉLO POR LA PIEZA DE REPUESTO RECOMENDADA SI HAY SEÑALES DE DESGASTE O DETERIORO.

AVERTISSEMENT
 POUR RÉDUIRE LES RISQUES DE BLESSURE, INSPECTER SOUVENT L'ENSEMBLE SAC COLLECTEUR D'HERBE ET REMPLACER AVEC DES PIÈCES RECOMMANDÉES CELLES QUI SEMBLENT USÉES OU DÉTÉRIORÉES.

AVERTISSEMENT
 DESGASTE O DETERIORO.
 REPUESTO RECOMENDADA SI HAY SEÑALES DE PELIGRO Y CAMBIÉLO POR LA PIEZA DE REPUESTO RECOMENDADA EL ENSAMBLAJE PARA REDUCIR EL RIESGO DE LESIONES.

ADVERTENCIA
 THERE ARE SIGNS OF WEAR OR DETERIORATION.
 CATCHER ASSEMBLY FREQUENTLY AND REPLACE WITH RECOMMENDED REPLACEMENT TO REDUCE THE RISK OF INJURY, INSPECT

139-8986

139-8986

decal139-8986

1. Battery charge status

LITHIUM-ION BATTERY CHARGER
 CHARGEUR DE BATTERIE LITHIUM-ION
 CARGADOR DE BATERIA DE ION-LITIO

Input: 120V AC ~ 60Hz 2A / Output: 60V DC 1A MAX

Backfeed Protection / Protection contre le retour d'énergie
 Protección frente a retroalimentación

THE TORO COMPANY
 8111 Lyndale Avenue South
 Bloomington, MN 55420-1196 USA

Country of Origin: China Model: 88610
 PATENT: www.tccopatents.com

Serial Number: 31800000 Date Code: MM YY

decal144-3098

144-3098



decal144-3175

144-3175

1. Read the *Operator's Manual*.
 2. To start the machine, squeeze the bar to the handle and press the button.
 3. To shut off the machine, release the bar.
-

Setup

Important: The battery pack is not fully charged when it is purchased. Before using the machine for the first time, refer to [Charging the Battery Pack \(page 16\)](#).

1

Assembling the Grass Bag

No Parts Required

Procedure

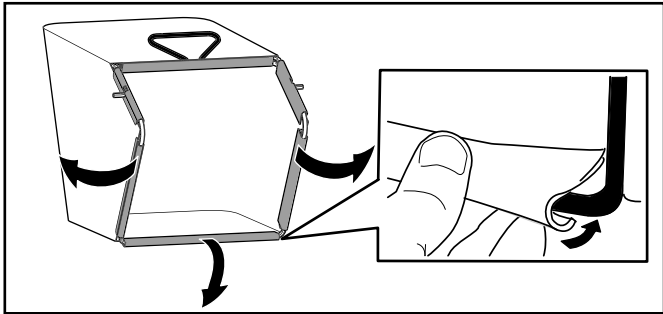


Figure 3

g407949

2

Unfolding the Handle

No Parts Required

Procedure

Important: Remove and discard the protective plastic sheet that covers the motor and any other plastic or wrapping on the machine.

⚠ WARNING

Unfolding the handle improperly can damage the cables, causing an unsafe operating condition.

- Do not damage the cable(s) when folding or unfolding the handle.
- Ensure that the cable(s) are routed to the outside of the handle.
- If a cable is damaged, contact an Authorized Service Dealer.

Important: Hold the handle while engaging the handle locks to avoid pinching your hands.

1. Remove the handle knobs (A of [Figure 4](#)).
2. Using the holes at the ends of the handle, attach the handle to the machine (B of [Figure 4](#)).
3. Move the handle rearward to the operating position (C of [Figure 4](#)).

4. Ensure that the cables are routed to the outside of the handle (D of Figure 4).
5. Engage the handle locks until the pin clicks in place to lock the handle into the operating position (E of Figure 4).

Note: You may adjust the height of the handle by changing the hole for the handle lock.

6. Secure the knobs to the handle bolts to secure the handle (F of Figure 4).

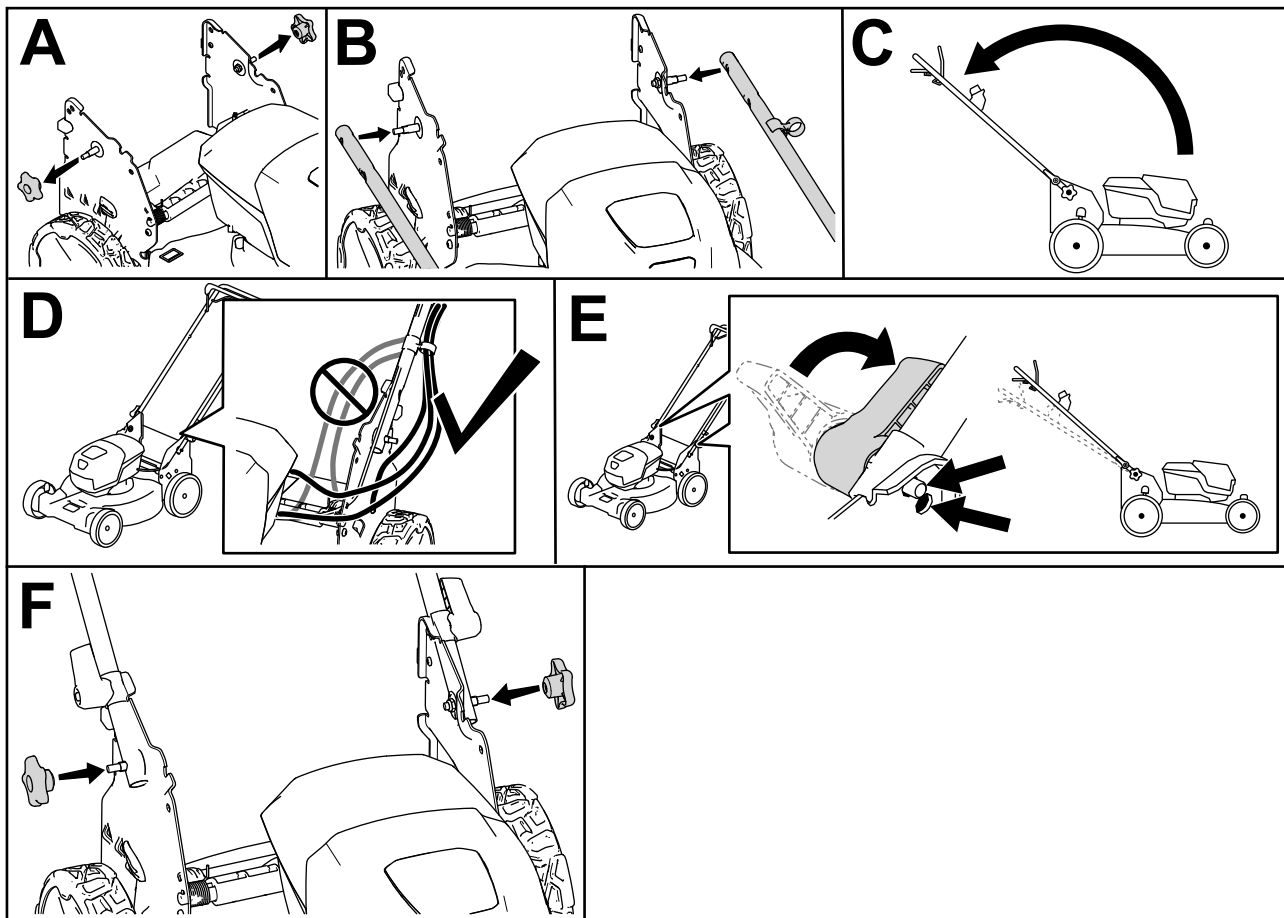


Figure 4

g413061

Product Overview

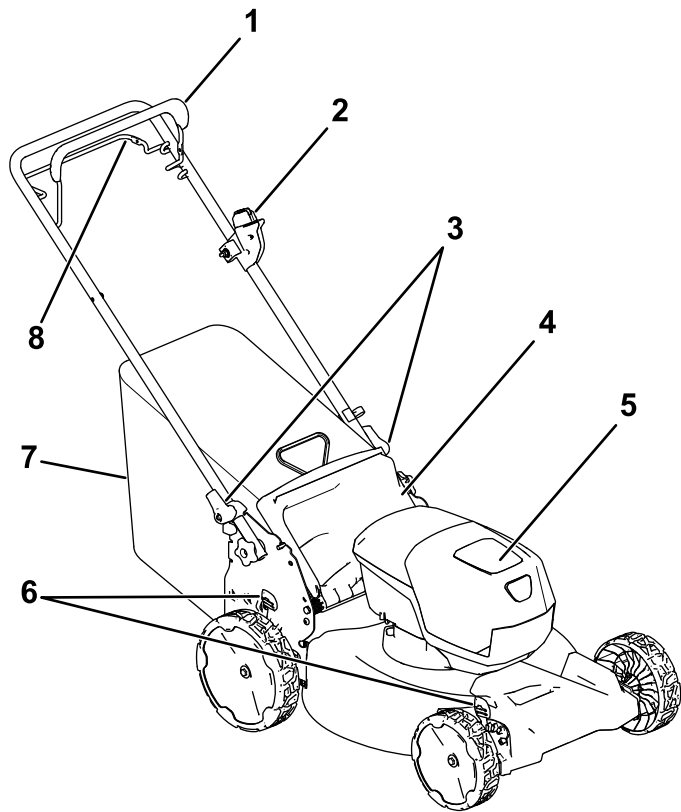


Figure 5

g409529

- | | |
|--------------------------|-----------------------------|
| 1. Blade-control bar | 5. Battery compartment |
| 2. Electric-start button | 6. Cutting-height lever (2) |
| 3. Handle lock (2) | 7. Grass bag |
| 4. Rear deflector | 8. Self-propel drive bar |

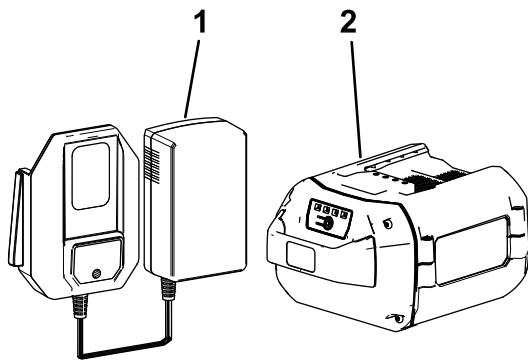


Figure 6

g413066

- | | |
|--|---|
| 1. Battery charger Model 88610 (included with Model 21326) | 2. Battery pack Model 88650 (included with Model 21326) |
|--|---|

Specifications

Battery Pack

Model	88650
Battery pack capacity	5.0 Ah 270 Wh
Battery manufacturer rating = 60V maximum and 54V nominal. Actual voltage varies with load.	

Battery Charger

Model	88610
Type	Adapter 60V MAX Lithium-Ion Battery Charger
Input	120V AC ~2.0A, 60Hz
Output	60V MAX DC 1.0A

Appropriate Temperature Ranges

Charge/store the battery pack at	5°C (41°F) to 40°C (104°F)*
Use the battery pack at	-30°C (-22°F) to 49°C (120°F)*
Use the machine at	0°C (32°F) to 49°C (120°F)*

*Charging time will increase if you do not charge the battery pack within this range.

Store the machine, battery pack, and battery charger in an enclosed clean, dry area.

Attachments/Accessories

A selection of Toro approved attachments and accessories may be available for use with the machine to enhance and expand its capabilities. Contact your Authorized Service Dealer or authorized Toro distributor or go to www.Toro.com for a list of all approved attachments and accessories.

To ensure optimum performance and continued safety certification of the machine, use only genuine Toro replacement parts and accessories. Replacement parts and accessories made by other manufacturers could be dangerous, and such use could void the product warranty.

Operation

Note: Determine the left and right sides of the machine from the normal operating position.

Before Operation

Installing the Battery Pack

Important: Use the battery pack only in temperatures that are within the appropriate range; refer to [Specifications \(page 11\)](#).

1. Make sure that the vents on the battery are clear of any dust and debris.
2. Lift up the battery-compartment lid (A of [Figure 7](#)).
3. Line up the cavity in the battery pack with the tongue on the machine and slide the battery pack into the compartment until it locks into place (B of [Figure 7](#)).
4. Close the battery-compartment lid (C of [Figure 7](#)).

Note: If the battery-compartment lid does not close completely, the battery is not fully installed.

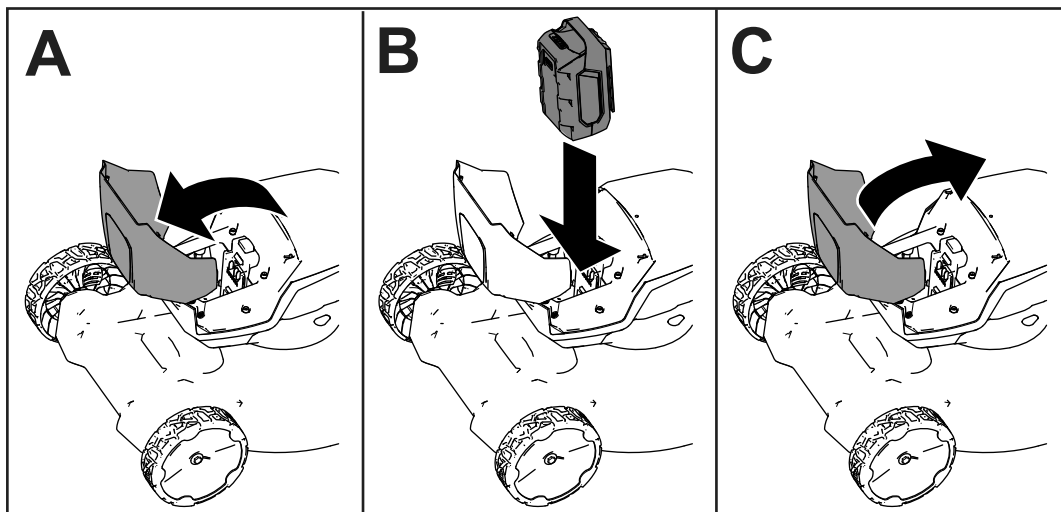


Figure 7

g407696

Adjusting the Cutting Height

⚠ DANGER

Adjusting the height-of-cut could bring your hands into contact with a moving blade and result in serious injury.

- Shut off the motor, remove the battery, and wait for all moving parts to stop before adjusting the cutting height.
- Do not put your fingers under the housing when adjusting the cutting height.

Adjust the cutting height as desired. Set all wheels to the same cutting height (Figure 8).

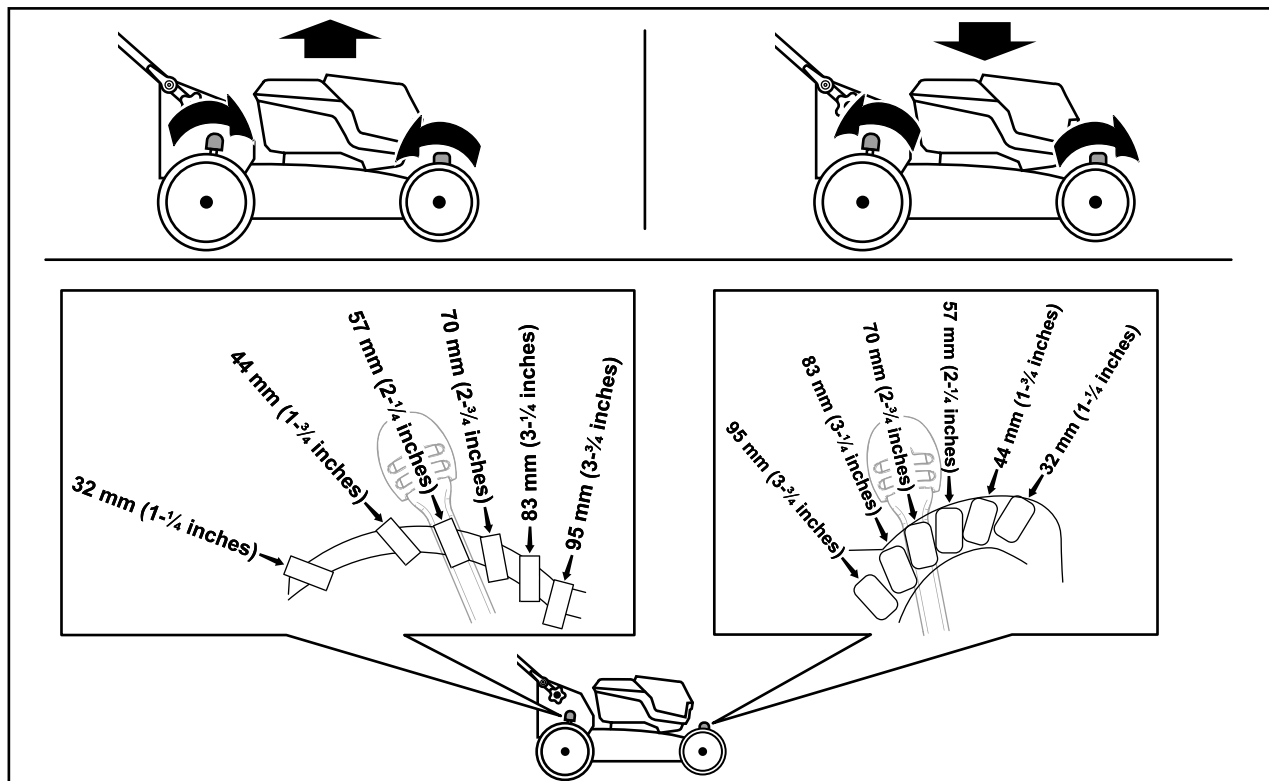


Figure 8

g409499

During Operation

Starting the Machine

1. Ensure that the battery pack is charged and installed in the machine; refer to [Installing the Battery Pack \(page 12\)](#).
2. Insert the electric-start button into the electric starter switch (A of [Figure 9](#)).
3. Squeeze the blade-control bar and hold it to the handle (B of [Figure 9](#)).
4. Press the electric-start button and keep it pressed until the motor starts (C of [Figure 9](#)).

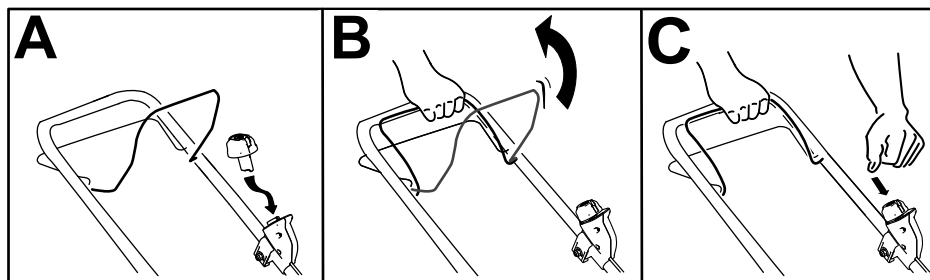


Figure 9

g332149

Using the Self-Propel Drive

- To engage the self-propel drive, pull the self-propel-drive bar to the handle and hold it ([Figure 10](#)).

Note: The maximum self-propel-drive speed is fixed. To reduce the speed, increase the space between the self-propel-drive bar and the handle.

- To disengage the self-propel-drive, release the self-propel drive bar.

Note: To reduce the ground speed, increase the space between the self-propel drive bar and the handle.

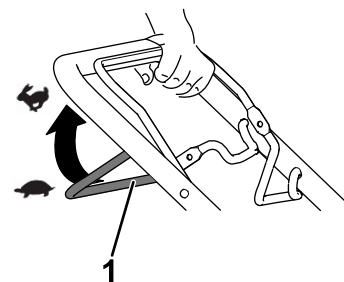


Figure 10

g240765

1. Self-propel-drive bar

Recycling the Clippings

Your machine comes from the factory ready to recycle the grass and leaf clippings back into the lawn.

If the grass bag is on the machine, remove it before recycling the clippings. Refer to [Removing the Grass Bag \(page 15\)](#).

Bagging the Clippings

Use the grass bag when you want to collect grass and leaf clippings from the lawn.

Installing the Grass Bag

1. Lift up the rear deflector (A of [Figure 11](#)).
2. Insert the rod ends of the grass bag into the notches in the handle brackets (B of [Figure 11](#)).
3. Allow the rear deflector to rest on the bag.

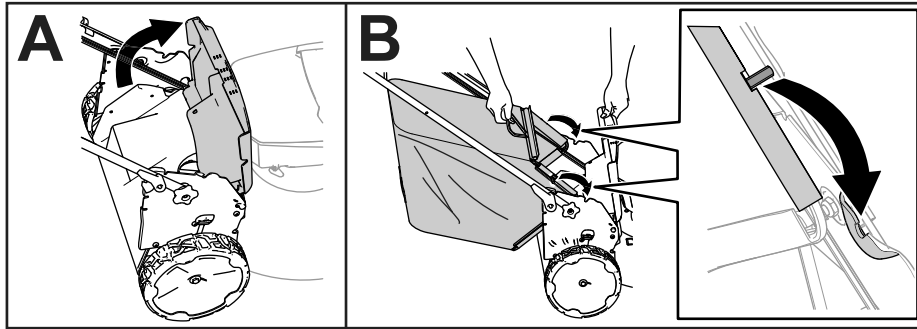


Figure 11

g409510

Removing the Grass Bag

To remove the bag, reverse the steps in [Installing the Grass Bag \(page 15\)](#).

Shutting Off the Machine

1. Release the blade-control bar (A of [Figure 12](#)).
2. Remove the electric-start button from the electric starter (B of [Figure 12](#)).
3. Remove the battery pack; refer to [Removing the Battery Pack from the Machine \(page 15\)](#).

Note: Whenever you are not using the machine, remove the battery pack.

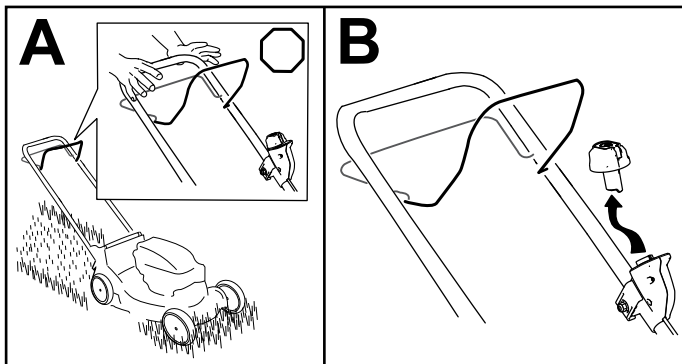


Figure 12

g332151

Removing the Battery Pack from the Machine

1. Lift up the battery-compartment lid.
2. Press the battery-pack latch to release the battery pack and remove the battery pack.
3. Close the battery-compartment lid.

Operating Tips

General Mowing Tips

- Inspect the area where you will use the machine and remove all objects that the machine could throw.
- Avoid striking solid objects with the blade. Never deliberately mow over any object.
- If the machine strikes an object or starts to vibrate, immediately shut off the motor, wait for all moving parts to stop, and examine the machine for damage.
- For best performance, install a new Toro blade before the cutting season begins or when necessary.

Cutting Grass

- Cut only about a third of the grass blade at a time. For improved quality of cut, runtime, and bagging, cut grass at a higher height of cut.
- Do not cut below 51 mm (2 inches) unless the grass is sparse or it is late fall when grass growth begins to slow down.
- When cutting grass over 15 cm (6 inches) tall, mow at the highest cutting height setting and walk slower; then mow again at a lower setting for the best lawn appearance. If the grass is too long, the machine may plug and cause the motor to stall.
- Wet grass and leaves tend to clump on the yard and can cause the machine to plug or the motor to stall. Avoid mowing in wet conditions.
- Be aware of a potential fire hazard in very dry conditions, follow all local fire warnings, and keep the machine free of dry grass and leaf debris.
- Alternate the mowing direction. This helps disperse the clippings over the lawn for even fertilization.
- If the finished lawn appearance is unsatisfactory, try 1 or more of the following:
 - Replace the blade or have it sharpened.
 - Walk at a slower pace while mowing.
 - Raise the cutting height on your machine.
 - Cut the grass more frequently.
 - Overlap cutting swaths instead of cutting a full swath with each pass.

Cutting Leaves

- After cutting the lawn, ensure that half of the lawn shows through the cut leaf cover. You may need to make more than a single pass over the leaves.
- If there are more than 13 cm (5 inches) of leaves on the lawn, mow at a higher cutting height and then again at the desired cutting height.
- Slow down your mowing speed if the machine does not cut the leaves finely enough.

After Operation

Charging the Battery Pack

Important: The battery pack is not fully charged when you purchase it. Before using the tool for the first time, place the battery pack in the charger and charge it until the LED display indicates the battery pack is fully charged. Read all safety precautions.

Important: Charge the battery pack only in temperatures that are within the appropriate range; refer to [Specifications \(page 11\)](#).

Note: At any time, press the battery-charge-indicator button on the battery pack to display the current charge (LED indicators).

1. Ensure that the vents on the battery and charger are clear of any dust and debris.

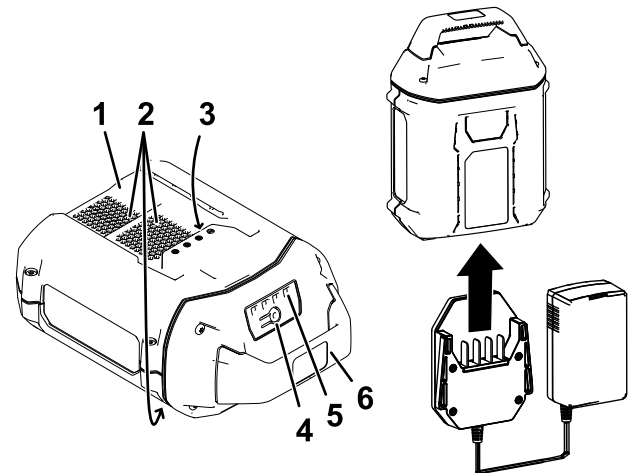


Figure 13

- | | |
|-------------------------------|------------------------------------|
| 1. Battery pack cavity | 4. Battery-charge-indicator button |
| 2. Battery pack venting areas | 5. LED indicators (current charge) |
| 3. Battery pack terminals | 6. Handle |
2. Line up the cavity in the battery pack (Figure 13) with the tongue on the charger.
 3. Slide the charger into the battery pack until it is fully seated (Figure 13).
 4. To remove the battery pack, slide the charger backward out of the battery pack.
 5. Refer to the following table to interpret the LED indicator light on the battery charger.

Indicator light	Indicates
Off	No battery pack inserted
Green blinking	Battery pack is charging

Green	Battery pack is charged
Red	Battery pack and/or battery charger is over or under the appropriate temperature range
Red blinking	Battery pack charging fault*

*Refer to [Troubleshooting \(page 22\)](#) for more information.

Important: The battery can be left on the charger for short periods between uses.

If the battery will not be used for longer periods, remove the battery from the charger; refer to [Storage \(page 21\)](#).

Cleaning the Machine

Service Interval: After each use

Cleaning under the Machine

Service Interval: After each use

For best results, clean under the machine soon after you have completed mowing.

1. Shut off the machine and remove the battery pack and the safety key.
2. Lower the machine to its lowest cutting-height setting.
3. Set the machine in the vertical-stow position; refer to [Storing the Machine in the Vertical-Stow Position \(page 18\)](#).
4. Using a brush or broom, clean any debris away from the underside of the machine.

Important: Do not use water to clean the machine; water may damage electrical components.

5. Clean the grass box.

Folding the Handle

⚠ WARNING

Unfolding the handle improperly can damage the cables, causing an unsafe operating condition.

- Do not damage the cable(s) when folding or unfolding the handle.
- Ensure that the cable(s) are routed to the outside of the handle.
- If a cable is damaged, contact an Authorized Service Dealer.

1. Remove the electric-start button (Figure 14).

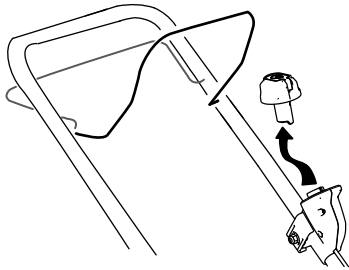


Figure 14

g332163

2. Remove the battery from the machine.
3. Hold the handle while disengaging the handle locks to avoid pinching your hands.
4. Disengage the handle locks until you can move the upper handle freely (A of Figure 15).

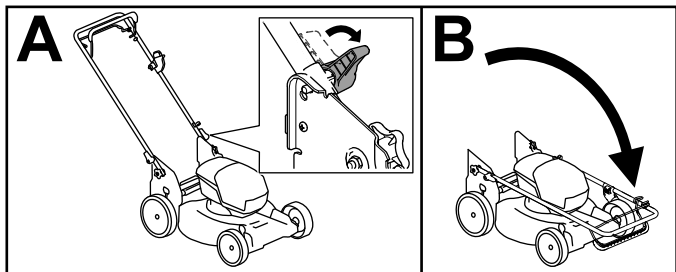


Figure 15

g413060

5. Fold the handle forward to the fully forward position (B of Figure 15).

Important: Route the cables to the outside of the handle locks as you fold the handle.

6. To unfold the handle, repeat step A of Figure 15 and fold the handle to the operating position.

Storing the Machine in the Vertical-Stow Position

You can store your machine in the vertical position to minimize storage space.

⚠ DANGER

The vertical-stow position exposes the bottom of the machine.

- Remove the battery pack and the electric-start button before moving the machine into the vertical-stow position.
- Do not transport the machine in the vertical-stow position.
- Do not attempt to start the machine in the vertical-stow position.

1. Remove the electric-start button and battery from the machine.
2. Ensure that the cutting-height setting on the machine is 44 mm (1-3/4 inches) or higher; if it is not, raise it; refer to [Adjusting the Cutting Height](#) (page 13).
3. Disengage the handle locks and fold the handle fully forward; refer to [Folding the Handle](#) (page 18).

Important: Route the cables to the outside of the handle locks as you fold the handle.

4. Engage the handle locks.
5. Lift the front of the machine by the handle and move it into a storage space (Figure 16).

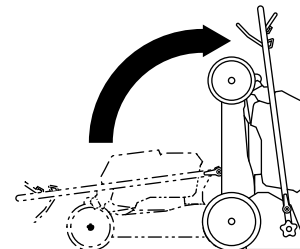


Figure 16

g409126

Maintenance

Remove the electric-start button and battery pack from the machine before maintaining or cleaning the machine.

Always shut off the machine, wait for all moving parts to stop, and allow the machine to cool before adjusting, servicing, cleaning, or storing it.

Use only the manufacturer's recommended replacement parts and accessories.

Inspect and maintain the machine regularly. Have the machine repaired only by an Authorized Service Dealer.

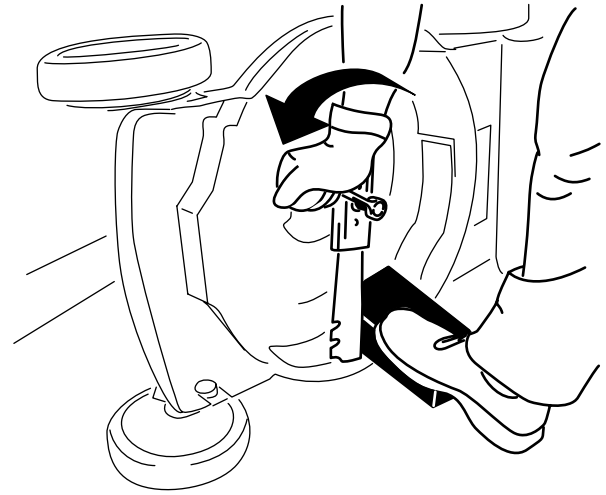


Figure 17

g231389

Lubricating the Machine

You do not need to lubricate the machine; all the bearings have been lubricated at the factory for the life of the machine.

Replacing the Blade

Service Interval: Yearly

Important: You will need a torque wrench to install the blade properly. If you do not have a torque wrench or are uncomfortable performing this procedure, contact an Authorized Service Dealer.

If the blade is damaged or cracked, replace it immediately. If the blade edge is dull or nicked, have it sharpened and balanced, or replace it.

⚠ WARNING

When servicing the blade, the blade can still move even though the power source is off. The blade is sharp; contacting the blade can result in serious personal injury.

- Keep your hands and feet away from a moving blade.
 - Wear gloves when servicing the blade.
1. Remove the battery pack from the machine.
 2. Use a block of wood to hold the blade steady (Figure 17).
 3. Remove the blade bolt and blade; save the blade bolt (Figure 17).

4. Install the new blade and the blade bolt (Figure 18).

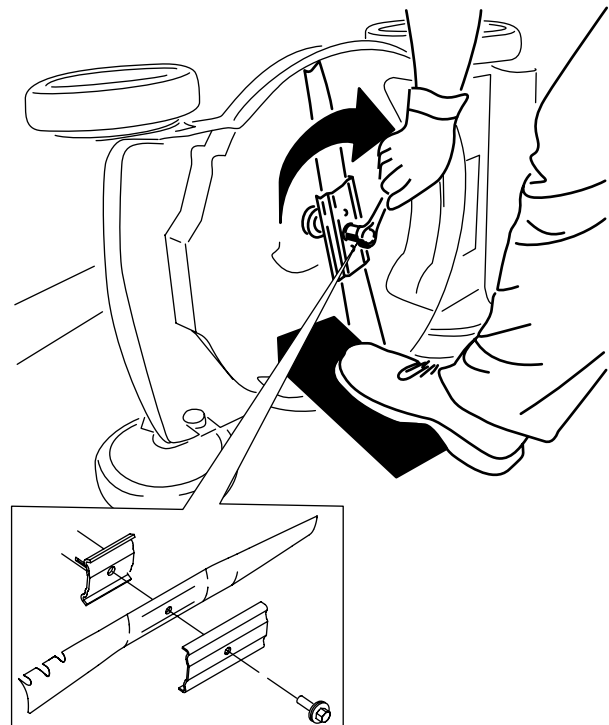


Figure 18

g231390

Important: Position the curved ends of the blade facing up toward the machine housing.

5. Use a torque wrench to tighten the blade bolt to 82 N·m (60 ft·lb).

Adjusting the Self-Propel Drive

Whenever you install a new self-propel cable or if the self-propel drive is out of adjustment, adjust the self-propel drive cable.

1. Loosen the cable-support nut (Figure 19).

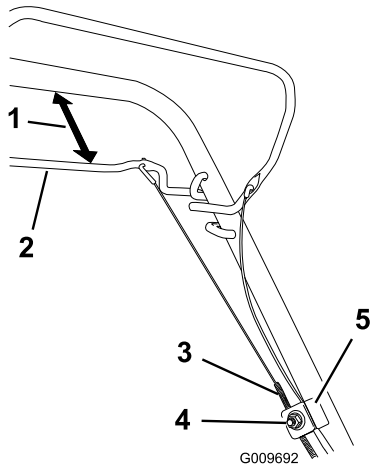


Figure 19

g009692

1. 25 to 38 mm (1 to 1-1/2 inches)
2. Self-propel-drive bar
3. Cable jacket
4. Cable-support nut
5. Cable support

2. Hold the self-propel-drive bar 25 to 38 mm (1 to 1-1/2 inches) from the handle (Figure 19).
3. Pull down the cable jacket (toward the machine) until there is no slack in the cable (Figure 19).
4. Tighten the nut on the cable support.
5. Release the self-propel-drive bar and ensure that the cable is loose.

Note: The cable must be loose with the self-propel drive bar in the released position; otherwise, the machine may creep when you disengage the bar.

Preparing the Battery Pack for Recycling

Important: Upon removal, cover the terminals of the battery pack with heavy-duty adhesive tape. Do not attempt to destroy or disassemble the battery pack or remove any of its components.



Lithium-ion battery packs labeled with the Call2Recycle seal can be recycled at any participating retailer or battery recycling facility in the Call2Recycle program (US and Canada only). To locate a participating retailer or facility closest to you, please call 1-800-822-8837 or visit www.call2recycle.org. If you cannot locate a participating retailer or facility nearby, or if your rechargeable battery is not labeled with the Call2Recycle seal, please contact your local municipality for more information on how to responsibly recycle the battery. If you are located outside of the US and Canada, please contact your authorized Toro distributor.

Storage

Important: Store the machine, battery pack, and charger only in temperatures that are within the appropriate range; refer to [Specifications \(page 11\)](#).

Important: If you are storing the battery pack for the off-season, charge it until 2 or 3 LED indicators turn green on the battery. Do not store a fully charged or fully depleted battery. When you are ready to use the machine again, charge the battery pack until the left indicator light turns green on the charger or all 4 LED indicators turn green on the battery.

- Disconnect the product from the power supply (i.e., remove the battery pack and electric-start button) and check for damage after use.
- Do not store the machine or charger with the battery pack installed.
- Clean all foreign material from the product.
- When not in use, store the machine, electric-start button, battery pack, and battery charger out of the reach of children.
- Keep the machine, battery pack, and battery charger away from corrosive agents, such as garden chemicals and de-icing salts.
- To reduce the risk of serious personal injury, do not store the battery pack outside or in vehicles.
- Store the machine, battery pack, and battery charger in an enclosed clean, dry area.

Troubleshooting

Perform only the steps described in these instructions. All further inspection, maintenance, and repair work must be performed by an authorized service center or a similarly qualified specialist if you cannot solve the problem yourself.

Problem	Possible Cause	Corrective Action
The machine does not start.	<ol style="list-style-type: none"> 1. The battery is not fully installed in the machine. 2. The battery pack is not charged. 3. The battery pack is damaged. 4. There is another electrical problem with the machine. 	<ol style="list-style-type: none"> 1. Remove and then replace the battery into the machine, making sure that it is fully installed and latched. 2. Remove the battery pack from the machine and charge it. 3. Replace the battery pack. 4. Contact an Authorized Service Dealer.
The machine does not run or does not run continuously.	<ol style="list-style-type: none"> 1. There is moisture on the leads of the battery pack. 2. The battery is not fully installed into the tool. 	<ol style="list-style-type: none"> 1. Allow the battery pack to dry or wipe it dry. 2. Remove and then replace the battery into the tool making sure that it is fully installed and latched.
The machine does not reach full power.	<ol style="list-style-type: none"> 1. The battery pack charge capacity is too low. 2. The air vents are blocked. 	<ol style="list-style-type: none"> 1. Remove the battery pack from the machine and fully charge the battery pack. 2. Clean the air vents.
The battery pack loses charge quickly.	<ol style="list-style-type: none"> 1. The battery pack is over or under the appropriate temperature range. 2. The machine is overloaded 	<ol style="list-style-type: none"> 1. Move the battery pack to a place where it is dry and the temperature is between 5°C (41°F) and 40°C (104°F). 2. Cut the grass at a higher height of cut or walk at a slower pace while mowing.
The battery charger is not working.	<ol style="list-style-type: none"> 1. The battery charger is over or under the appropriate temperature range. 2. The outlet that the battery charger is plugged into does not have power. 	<ol style="list-style-type: none"> 1. Unplug the battery charger and move it to a place where it is dry and the temperature is between 5°C (41°F) and 40°C (104°F). 2. Contact your licensed electrician to repair the outlet.
The machine does not self-propel.	<ol style="list-style-type: none"> 1. The self-propel drive cable is out of adjustment or is damaged. 	<ol style="list-style-type: none"> 1. Adjust the self-propel drive cable. Replace the cable if necessary.
The LED indicator light on the battery charger is red.	<ol style="list-style-type: none"> 1. The battery charger and/or battery pack is over or under the appropriate temperature range. 	<ol style="list-style-type: none"> 1. Unplug the battery charger and move the battery charger and battery pack to a place where it is dry and the temperature is between 5°C (41°F) and 40°C (104°F).

Problem	Possible Cause	Corrective Action
The LED indicator light on the battery charger is blinking red.	<ol style="list-style-type: none"> 1. There is an error in the communication between the battery pack and the charger. 2. The battery pack is weak. 	<ol style="list-style-type: none"> 1. Remove the battery pack from the battery charger, unplug the battery charger from the outlet, and wait 10 seconds. Plug the battery charger into the outlet again and place the battery pack on the battery charger. If the LED indicator light on the battery charger is still blinking red, repeat this procedure again. If the LED indicator light on the battery charger is still blinking red after 2 attempts, properly dispose of the battery pack at a battery recycling facility. 2. Contact your authorized service dealer if the battery is in warranty, or properly dispose of the battery pack at a battery recycling facility.
The machine is producing a beeping sound.	<ol style="list-style-type: none"> 1. The battery pack is not charged. 2. The machine is in an unsafe position for operation. 3. The machine is overloaded. 4. There is another electrical problem with the machine. 	<ol style="list-style-type: none"> 1. Remove the battery pack from the machine and charge it. 2. Ensure that the machine is not at an extreme angle while operating. 3. Cut the grass at a higher height of cut or walk at a slower pace while mowing. 4. Attempt the other troubleshooting actions, if the alarm still sounds, contact an Authorized Service Dealer.
The quality of cut is decreased or unsatisfactory.	<ol style="list-style-type: none"> 1. The blade is dull. 2. The cutting deck has debris buildup. 	<ol style="list-style-type: none"> 1. Have the blade sharpened or replaced. 2. Clean under the machine.
The bagging is decreased or unsatisfactory.	<ol style="list-style-type: none"> 1. The machine is overloaded 	<ol style="list-style-type: none"> 1. Cut the grass at a higher height of cut.
The machine is cutting unevenly.	<ol style="list-style-type: none"> 1. The blade is dull. 2. The cutting deck is damaged. 	<ol style="list-style-type: none"> 1. Have the blade sharpened or replaced. 2. Contact an Authorized Service Dealer.
The machine is vibrating.	<ol style="list-style-type: none"> 1. The blade is bent or damaged. 	<ol style="list-style-type: none"> 1. Inspect the blade and replace if necessary.

California Proposition 65 Warning Information

What is this warning?

You may see a product for sale that has a warning label like the following:



WARNING: Cancer and Reproductive Harm—www.p65Warnings.ca.gov.

What is Prop 65?

Prop 65 applies to any company operating in California, selling products in California, or manufacturing products that may be sold in or brought into California. It mandates that the Governor of California maintain and publish a list of chemicals known to cause cancer, birth defects, and/or other reproductive harm. The list, which is updated annually, includes hundreds of chemicals found in many everyday items. The purpose of Prop 65 is to inform the public about exposure to these chemicals.

Prop 65 does not ban the sale of products containing these chemicals but instead requires warnings on any product, product packaging, or literature with the product. Moreover, a Prop 65 warning does not mean that a product is in violation of any product safety standards or requirements. In fact, the California government has clarified that a Prop 65 warning "is not the same as a regulatory decision that a product is 'safe' or 'unsafe.'" Many of these chemicals have been used in everyday products for years without documented harm. For more information, go to <https://oag.ca.gov/prop65/faqs-view-all>.

A Prop 65 warning means that a company has either (1) evaluated the exposure and has concluded that it exceeds the "no significant risk level"; or (2) has chosen to provide a warning based on its understanding about the presence of a listed chemical without attempting to evaluate the exposure.

Does this law apply everywhere?

Prop 65 warnings are required under California law only. These warnings are seen throughout California in a wide range of settings, including but not limited to restaurants, grocery stores, hotels, schools, and hospitals, and on a wide variety of products. Additionally, some online and mail order retailers provide Prop 65 warnings on their websites or in catalogs.

How do the California warnings compare to federal limits?

Prop 65 standards are often more stringent than federal and international standards. There are various substances that require a Prop 65 warning at levels that are far lower than federal action limits. For example, the Prop 65 standard for warnings for lead is 0.5 µg/day, which is well below the federal and international standards.

Why don't all similar products carry the warning?

- Products sold in California require Prop 65 labelling while similar products sold elsewhere do not.
- A company involved in a Prop 65 lawsuit reaching a settlement may be required to use Prop 65 warnings for its products, but other companies making similar products may have no such requirement.
- The enforcement of Prop 65 is inconsistent.
- Companies may elect not to provide warnings because they conclude that they are not required to do so under Prop 65; a lack of warnings for a product does not mean that the product is free of listed chemicals at similar levels.

Why does the manufacturer include this warning?

the manufacturer has chosen to provide consumers with as much information as possible so that they can make informed decisions about the products they buy and use. the manufacturer provides warnings in certain cases based on its knowledge of the presence of one or more listed chemicals without evaluating the level of exposure, as not all the listed chemicals provide exposure limit requirements. While the exposure from the manufacturer products may be negligible or well within the "no significant risk" range, out of an abundance of caution, the manufacturer has elected to provide the Prop 65 warnings. Moreover, if the manufacturer does not provide these warnings, it could be sued by the State of California or by private parties seeking to enforce Prop 65 and subject to substantial penalties.



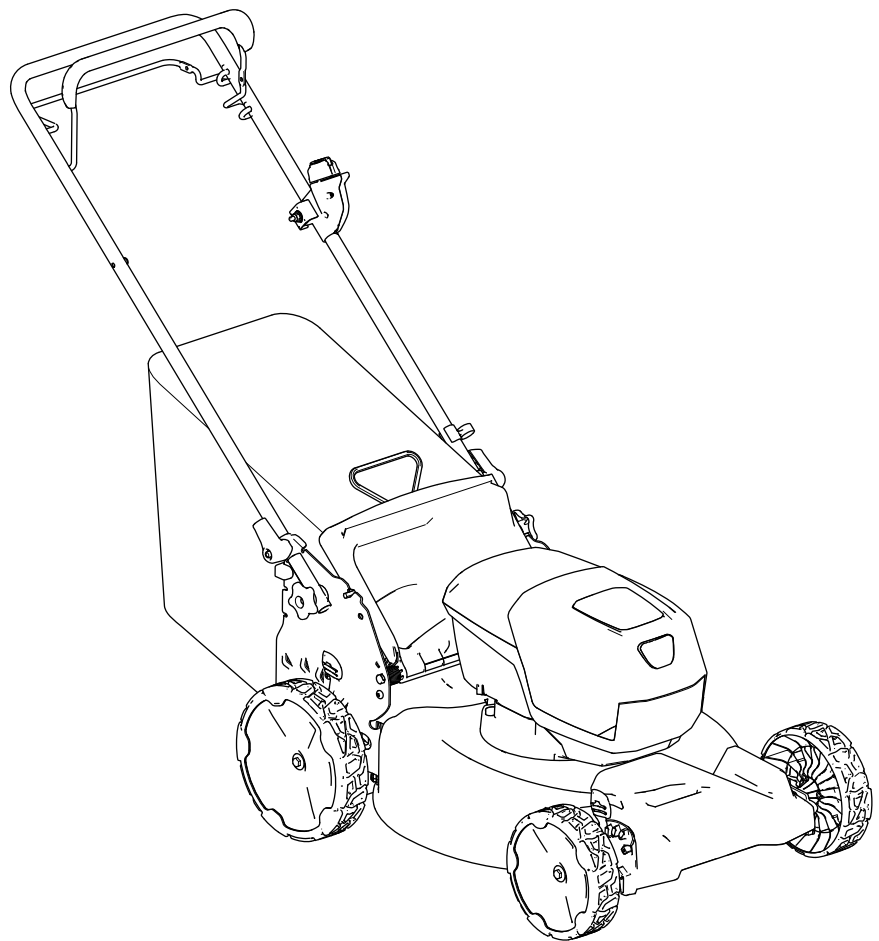
Count on it.

Manual del operador

**Cortacésped Recycler® 60V MAX
de 53 cm (21") con Flex-Force
Power System™ y SmartStow®**

Nº de modelo 21326—Nº de serie 40000000 y superiores

Nº de modelo 21326T—Nº de serie 40000000 y superiores





Si necesita ayuda, consulte los vídeos instruccionales en www.Toro.com/support o llame al 1-888-384-9939 antes de devolver este producto.

⚠ ADVERTENCIA

CALIFORNIA

Advertencia de la Propuesta 65

El cable eléctrico de este producto contiene plomo, que el Estado de California sabe que causa defectos congénitos u otros peligros para la reproducción. Lávese las manos después de manejar el material.

El uso de este producto puede provocar la exposición a sustancias químicas que el Estado de California considera causantes de cáncer, defectos congénitos u otros trastornos del sistema reproductor.

formación, información sobre accesorios, para localizar un distribuidor o para registrar su producto.

Si necesita asistencia técnica, piezas genuinas del fabricante o información adicional, póngase en contacto con un Servicio Técnico Autorizado o con el Servicio de atención al cliente del fabricante y tenga a mano el número de serie y de modelo del producto. **Figura 1** identifica la ubicación de los números de modelo y serie en el producto. Escriba los números en el espacio provisto.

Importante: Con su dispositivo móvil, puede escanear el código QR de la pegatina del número de serie (en su caso) para acceder a información sobre la garantía, las piezas, y otra información sobre el producto.

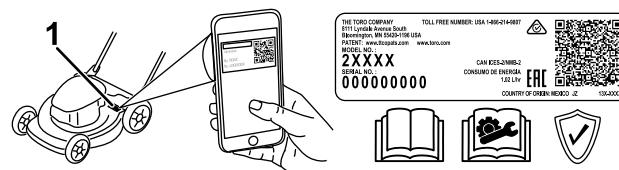


Figura 1

g282707

1. Ubicación de los números de modelo y de serie

Nº de modelo _____

Nº de serie _____

Introducción

Este cortacésped manual de cuchilla rotativa está diseñado para ser usado por usuarios domésticos. Está diseñado principalmente para segar césped bien mantenido en zonas verdes residenciales. No está diseñado para cortar maleza o para aplicaciones agrícolas.

Está diseñado para usar baterías de ion litio de 60 V de Toro. Estas baterías están diseñadas para ser cargadas únicamente con cargadores de batería de ion litio de 60 V de Toro. El uso de estos productos para propósitos diferentes a los previstos puede ser peligroso para usted y para otras personas. El uso de estos productos para propósitos diferentes a los previstos puede ser peligroso para usted y para otras personas.

El Modelo 21326T no incluye batería ni cargador.

Lea este manual detenidamente para aprender a utilizar y mantener correctamente su producto, y para evitar lesiones y daños al producto. Usted es el responsable de utilizar el producto de forma correcta y segura.

Visite www.Toro.com para más información, incluyendo consejos de seguridad, materiales de

Símbolo de alerta de seguridad

El símbolo de alerta de seguridad (**Figura 2**) que aparece en este manual y en la máquina identifica mensajes de seguridad importantes que usted debe observar para evitar accidentes.



Figura 2

g000502

Símbolo de alerta de seguridad

El símbolo de alerta de seguridad aparece encima de información que le alerta ante acciones o situaciones inseguras, y va seguido de la palabra **PELIGRO**, **ADVERTENCIA**, o **CUIDADO**.

PELIGRO: Indica una situación peligrosa inminente, que si no se evita, **causará** la muerte o lesiones graves.

ADVERTENCIA indica una situación potencialmente peligrosa que si no se evita, **podría** causar la muerte o lesiones graves.

CUIDADO: Indica una situación potencialmente peligrosa que si no se evita, **podría** causar lesiones menores o moderadas.

Este manual utiliza dos palabras más para resaltar información. **Importante** llama la atención sobre información mecánica especial, y **Nota** resalta información general que merece una atención especial.

Contenido

Símbolo de alerta de seguridad	2
Seguridad	3
.....	3
Pegatinas de seguridad e instrucciones	6
Montaje	9
1 Ensamblaje de la bolsa de recogida	9
2 Despliegue del manillar	9
El producto	11
Especificaciones	11
Aperos/Accesorios	11
Antes del funcionamiento	12
Instalación de la batería	12
Ajuste de la altura de corte	13
Durante el funcionamiento	14
Cómo arrancar la máquina	14
Uso de la transmisión autopropulsada	14
Reciclado de los recortes	14
Ensamblado de los recortes	15
Apagado de la máquina	15
Cómo retirar la batería de la máquina	15
Consejos de operación	15
Después del funcionamiento	16
Carga de la batería	16
Limpieza de la máquina	17
Cómo plegar el manillar	17
Almacenamiento de la máquina en posición vertical	18
Mantenimiento	19
Lubricación de la máquina	19
Cómo cambiar la cuchilla	19
Ajuste de la transmisión autopropulsada	20
Preparación de la batería para el reciclado	20
Almacenamiento	21
Solución de problemas	22

Seguridad

INSTRUCCIONES DE SEGURIDAD IMPORTANTES

⚠ ADVERTENCIA

Cuando se utilizan cortacéspedes eléctricos es necesario observar siempre unas normas básicas de seguridad a fin de reducir el riesgo de incendio, descarga eléctrica y lesiones personales, incluyendo las siguientes:

Lea todas las instrucciones

I. Formación

1. El operador de la máquina es responsable de cualquier accidente o peligro que afecte a otras personas o a su propiedad.
2. No deje que los niños utilicen o jueguen con la máquina, la batería o el cargador de la batería; la normativa local puede restringir la edad del operador.
3. No permita que este dispositivo sea utilizado o mantenido por niños o por personas que no hayan recibido la formación adecuada. Sólo permita que manejen o mantengan el dispositivo personas responsables, formadas, familiarizadas con las instrucciones y físicamente capaces de utilizar la máquina.
4. Antes de utilizar la máquina, la batería y el cargador de la batería, lea todas las instrucciones y símbolos de advertencia de estos productos.
5. Familiarícese con los controles y con el uso correcto de la máquina, la batería y el cargador de la batería.

II. Preparación

1. No permita que entren otras personas, especialmente niños o animales domésticos, en la zona de trabajo.
2. No utilice la máquina sin que todos los protectores y dispositivos de seguridad, tales como deflectores y recogedores, estén colocados y funcionen correctamente en la máquina.
3. Inspeccione el área donde se va a utilizar la máquina, y retire cualquier objeto que pudiera interferir con el funcionamiento de la máquina o que pudiera ser arrojado por la máquina.
4. Antes de utilizar la máquina, asegúrese de que la cuchilla, el perno de la cuchilla y el conjunto

- de la cuchilla no están desgastados o dañados. Sustituya cualquier pegatina dañada o ilegible.
5. Utilice únicamente la batería especificada por Toro. El uso de otros accesorios puede aumentar el riesgo de incendio y lesiones.
 6. Si se enchufa el cargador en una toma de corriente que no sea de 120 voltios, puede causar un incendio o una descarga eléctrica. No conecte el cargador de la batería a una toma de corriente que no sea de 120 voltios. Para otros tipos de conexión, utilice un adaptador de enchufe del tipo correcto para la toma de corriente, si es necesario.
 7. No utilice la batería o el cargador de la batería si están dañados o modificados, porque podrían mostrar un comportamiento impredecible con resultado de incendio, explosión o riesgo de lesiones.
 8. Si el cable de alimentación del cargador de la batería está dañado, póngase en contacto con un Servicio Técnico Autorizado para cambiarlo.
 9. Cargue la batería únicamente con el cargador de la batería especificado por Toro. Un cargador diseñado para un tipo de batería puede crear un riesgo de incendio si se utiliza con otra batería.
 10. Cargue la batería únicamente en una zona bien ventilada.
 11. Siga todas las instrucciones de carga y no cargue la batería si la temperatura está fuera del intervalo especificado en las instrucciones. De lo contrario, podría dañar la batería y aumentar el riesgo de incendio.
 12. Vestimenta adecuada – lleve ropa adecuada, incluyendo protección ocular; pantalón largo; calzado resistente y antideslizante (no vaya descalzo ni con sandalias); y protección auditiva. Si tiene el pelo largo, recójase, y no lleve prendas holgadas o joyas sueltas que puedan quedar atrapadas en las piezas móviles. Lleve una mascarilla en condiciones de trabajo de mucho polvo.
5. Evite el arranque accidental – asegúrese de que el botón de arranque eléctrico se retira del interruptor del arranque eléctrico antes de conectar la batería y manejar la máquina.
 6. Dedique toda su atención al manejo de la máquina. No realice ninguna actividad que pudiera distraerle; de lo contrario, podrían producirse lesiones o daños materiales.
 7. Pare la máquina, retire el botón de arranque eléctrico, retire la batería de la máquina y espere a que se detenga todo movimiento antes de ajustar, revisar, limpiar o almacenar la máquina.
 8. Retire la batería y el botón de arranque eléctrico de la máquina antes de dejarla desatendida o antes de cambiar de accesorio.
 9. No fuerce la máquina – deje que la máquina haga el trabajo mejor y con más seguridad a la velocidad para la que fue diseñada.
 10. Manténgase alerta – esté atento a lo que está haciendo y utilice el sentido común mientras trabaja con la máquina. No utilice la máquina si está enfermo, cansado, o bajo la influencia de alcohol o drogas.
 11. No utilice un cortacésped alimentado por batería bajo la lluvia.
 12. Utilice la máquina únicamente con buena visibilidad y en condiciones meteorológicas apropiadas. No use la máquina cuando hay riesgo de rayos.
 13. Extreme las precauciones al ir hacia atrás o tirar de la máquina hacia usted.
 14. Pise firme y mantenga el equilibrio en todo momento, sobre todo en pendientes. Siegue de través en cuestas y pendientes, nunca hacia arriba o hacia abajo. Extreme las precauciones al cambiar de dirección en cuestas o pendientes. No siegue pendientes y cuestas extremadamente empinadas. Camine, no corra nunca con la máquina.
 15. No dirija el material de descarga hacia nadie. Evite descargar material contra una pared u otra obstrucción; el material podría rebotar hacia usted. Detenga la(s) cuchilla(s) antes de cruzar superficies que no estén cubiertas de hierba.
 16. Esté alerta a agujeros, surcos, montículos, rocas u otros objetos ocultos. Los terrenos irregulares pueden hacer que usted pierda el equilibrio o resbale.
 17. La hierba mojada o las hojas mojadas pueden causarle graves lesiones si usted resbala y toca la cuchilla. No siegue en condiciones húmedas. No siegue si está lloviendo.
 18. Si la máquina golpea un objeto o empieza a vibrar, apague inmediatamente la máquina,

III. Operación

1. Un contacto con la cuchilla en movimiento causará lesiones graves. Mantenga las manos y los pies alejados de la zona de corte y de todas las piezas móviles de la máquina. No se acerque a los orificios de descarga.
2. El uso de esta máquina para otros propósitos que los previstos podría ser peligroso para usted y para otras personas.
3. Desengrane la transmisión autopropulsada (si está instalada) antes de arrancar la máquina.
4. No incline la máquina al arrancar el motor.

- retire el botón de arranque eléctrico, retire la batería y espere a que se detenga todo movimiento antes de examinar la máquina en busca de daños. Haga todas las reparaciones necesarias antes de volver a utilizar la máquina.
19. Pare la máquina y retire el botón de arranque eléctrico antes de cargar la máquina para el transporte.
 20. En condiciones abusivas, la batería puede expulsar líquido; evite el contacto. En caso de un contacto accidental con el líquido, enjuague con agua. Si el líquido entra en contacto con sus ojos, busque ayuda médica. El líquido expulsado de la batería puede causar irritación o quemaduras.

IV. Mantenimiento y almacenamiento

1. Pare la máquina, retire el botón de arranque eléctrico, retire la batería de la máquina y espere a que se detenga todo movimiento antes de ajustar, revisar, limpiar o almacenar la máquina.
2. No intente reparar la máquina, salvo con arreglo a lo indicado en las instrucciones. Haga que un Servicio Técnico Autorizado realice el mantenimiento de la máquina usando piezas de repuesto idénticas.
3. Lleve guantes y protección ocular al realizar el mantenimiento de la máquina.
4. Afile una cuchilla roma en ambos extremos para mantener el equilibrio. Limpie la cuchilla y asegúrese de que está equilibrada.
5. Cambie la cuchilla si está doblada, desgastada o agrietada. Una cuchilla desequilibrada produce vibraciones, que podrían dañar el motor o causar lesiones personales.
6. Al realizar el mantenimiento de la cuchilla, sepa que la cuchilla puede moverse incluso si la fuente de alimentación está apagada.
7. Compruebe frecuentemente la bolsa de recogida de recortes en busca de deterioros o desgaste, y sustituya cualquier bolsa desgastada por una bolsa [de recambio] Toro.
8. Para obtener el mejor rendimiento, utilice solamente piezas y accesorios genuinos de Toro. Otros accesorios y piezas de repuesto podrían ser peligrosos, y dicho uso podría invalidar la garantía del producto.
9. Mantenga la máquina correctamente – mantenga los filos de corte afilados y limpios para obtener el mejor rendimiento y la mayor seguridad. Mantenga los manillares secos, limpios y libres de aceite y grasa. Mantenga los protectores colocados y en buen estado de funcionamiento. Mantenga las cuchillas

afiladas. Utilice únicamente cuchillas de repuesto idénticas.

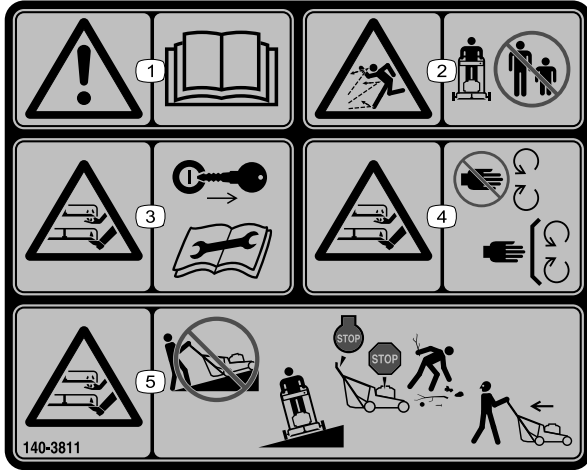
10. Inspeccione la máquina en busca de piezas dañadas – si hay daños en los protectores o en otras piezas, determine si la máquina funciona correctamente. Compruebe que las piezas móviles están correctamente alineadas y que se mueven libremente sin agarrotarse, que están correctamente montadas, que no hay piezas rotas, y que no hay otras circunstancias que pudieran afectar a su uso. A menos que se indique lo contrario en las instrucciones, haga que un Servicio Técnico Autorizado repare o sustituya cualquier protector o componente dañado.
11. Cuando la batería no está en uso, debe mantenerse alejada de objetos metálicos como clips, monedas, llaves, clavos y tornillos que pudieran hacer una conexión entre un terminal y otro. Un cortocircuito entre los terminales de la batería puede causar quemaduras o un incendio.
12. Compruebe frecuentemente que los pernos de montaje de la cuchilla y del motor están bien apretados.
13. Cuando no esté utilizando la máquina, guárdela en un lugar cerrado, seco y seguro, fuera del alcance de los niños.
14. No exponga una batería o una máquina al fuego o a temperaturas excesivas. La exposición al fuego o a temperaturas superiores a los 130 °C (265 °F) puede causar una explosión.
15. CUIDADO – una batería maltratada puede representar un riesgo de incendio, explosión o quemadura química.
 - No desmonte la batería.
 - Sustituya la batería únicamente por una batería Toro genuina; el uso de otro tipo de batería podría provocar un incendio o un riesgo de lesión.
 - Mantenga las baterías fuera del alcance de los niños y en el embalaje original hasta su uso.

GUARDE ESTAS INSTRUCCIONES

Pegatinas de seguridad e instrucciones



Las pegatinas de seguridad e instrucciones están a la vista del operador y están ubicadas cerca de cualquier zona de peligro potencial. Sustituya cualquier pegatina que esté dañada o que falte.



140-3811

decal140-3811

1. Advertencia – lea el *Manual del operador*.
2. Peligro de objetos arrojados – mantenga alejadas a otras personas.
3. Peligro de corte/desmembramiento, cuchilla del cortacésped – retire la llave y lea el *Manual del operador* antes de realizar tareas de mantenimiento.
4. Peligro de corte/desmembramiento, cuchilla del cortacésped – no se acerque a las piezas en movimiento; mantenga colocados todos los protectores y defensas.
5. Peligro de corte/desmembramiento, cuchilla del cortacésped – no siegue cuesta arriba o cuesta abajo en pendientes; siegue únicamente de lado a lado en pendientes; apague la máquina, espere a que se detengan las piezas en movimiento y recoja cualquier residuo antes de segar; mire hacia atrás mientras siega en marcha atrás.

Modelo 88650



145-1479

decal145-1479

1. Lea el *Manual del operador*.
2. Programa de reciclado de baterías Call2Recycle®
3. Manténgase alejado de fuegos o llamas desnudas.
4. No exponer a la lluvia.

Modelo 88610



144-3094

decal144-3094

1. La batería se está cargando.
2. La batería está completamente cargada.
3. La temperatura de la batería está por encima o por debajo del intervalo de temperatura adecuado.
4. Fallo de carga de la batería



144-3096

decal144-3096



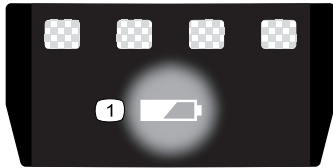
133-8061

decal133-8061



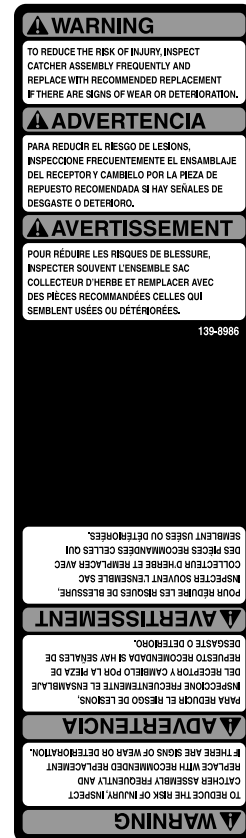
94-8072

decal94-8072



137-9461

decal137-9461



139-8986

decal139-8986

1. Estado de carga de la batería



144-3098

decal144-3098



decal144-3175

144-3175

1. Lea el *Manual del operador*.
 2. Para arrancar la máquina, apriete la barra contra el manillar y pulse el botón.
 3. Para apagar la máquina, suelte la barra.
-

Montaje

Importante: En el momento de la compra la batería no está totalmente cargada. Antes de utilizar la máquina por primera vez, consulte [Carga de la batería \(página 16\)](#).

1

Ensamblaje de la bolsa de recogida

No se necesitan piezas

Procedimiento

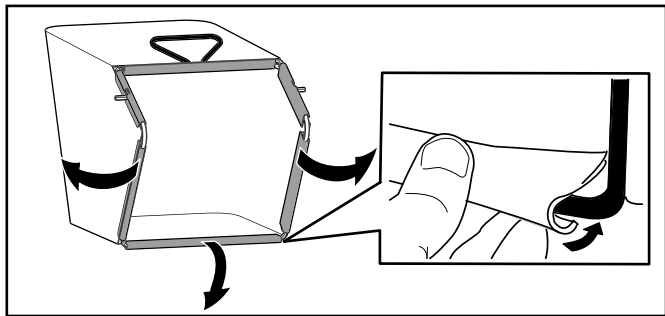


Figura 3

g407949

2

Despliegue del manillar

No se necesitan piezas

Procedimiento

Importante: Retire y deseche la hoja protectora de plástico que cubre el motor y cualquier otro plástico o envoltura de la máquina.

⚠ ADVERTENCIA

Si despliega el manillar de forma incorrecta, pueden dañarse los cables, creando condiciones de operación inseguras.

- No dañe el/los cable(s) al plegar o desplegar el manillar.
- Asegúrese de colocar el/los cable(s) en el exterior del manillar.
- Si un cable está dañado, póngase en contacto con el Servicio Técnico Autorizado.

Importante: Sujete el manillar mientras cierra las palancas de bloqueo del manillar, para evitar que las manos queden atrapadas.

1. Retire los pomos del manillar ([Figura 4, A](#)).

2. Usando los orificios de los extremos del manillar, sujete el manillar a la máquina (Figura 4, B).
3. Mueva el manillar hacia atrás a la posición de uso (Figura 4, C).
4. Asegúrese de colocar los cables en el exterior del manillar (Figura 4, D).
5. Mueva las palancas de bloqueo del manillar hasta que el pasador se enganche en su sitio, para bloquear el manillar en la posición de uso (Figura 4, E).

Nota: Puede ajustar la altura del manillar cambiando de orificio el pasador de bloqueo del manillar.

6. Fije los pomos a los pernos del manillar para fijar el manillar (Figura 4, F).

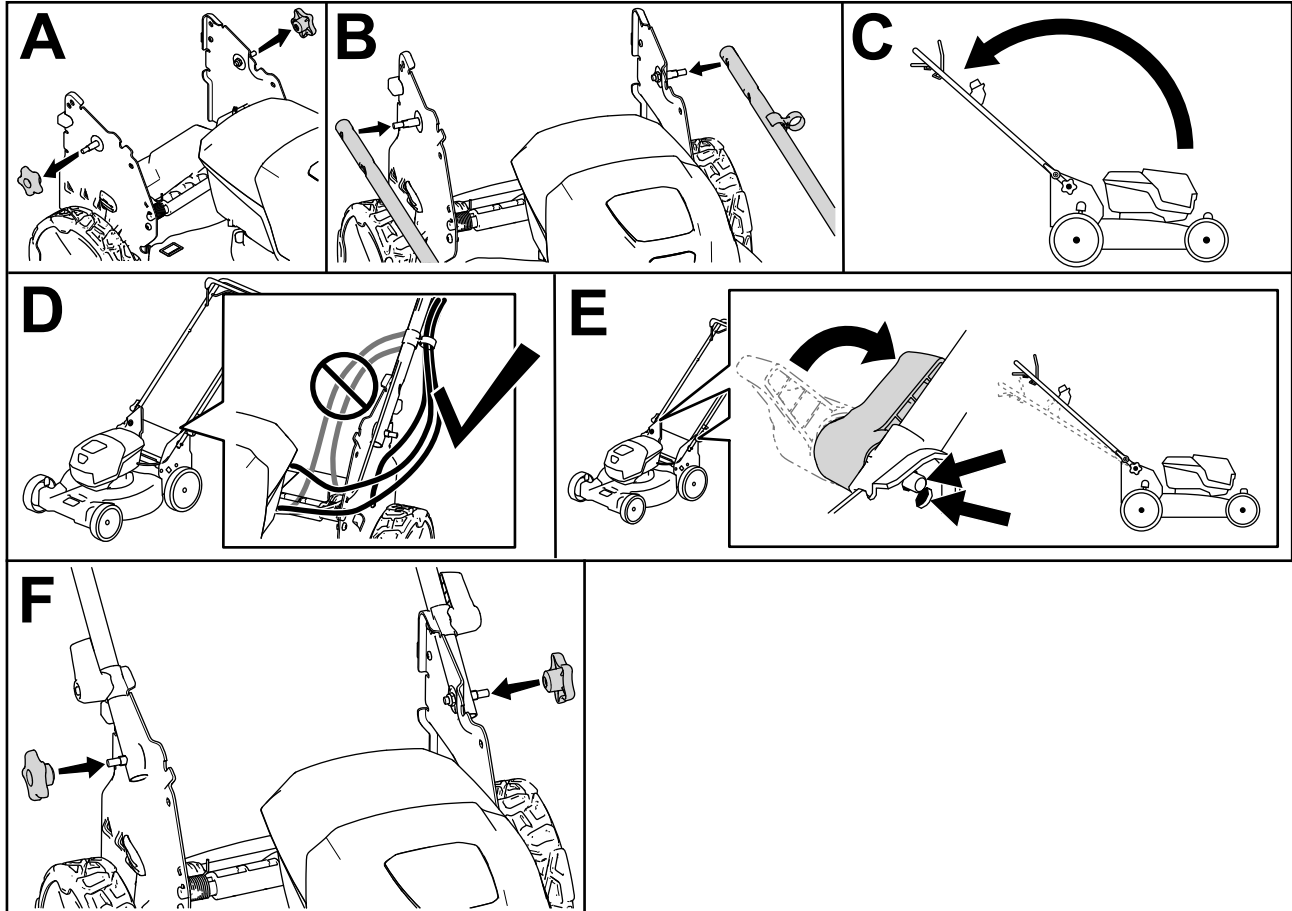


Figura 4

g413061

El producto

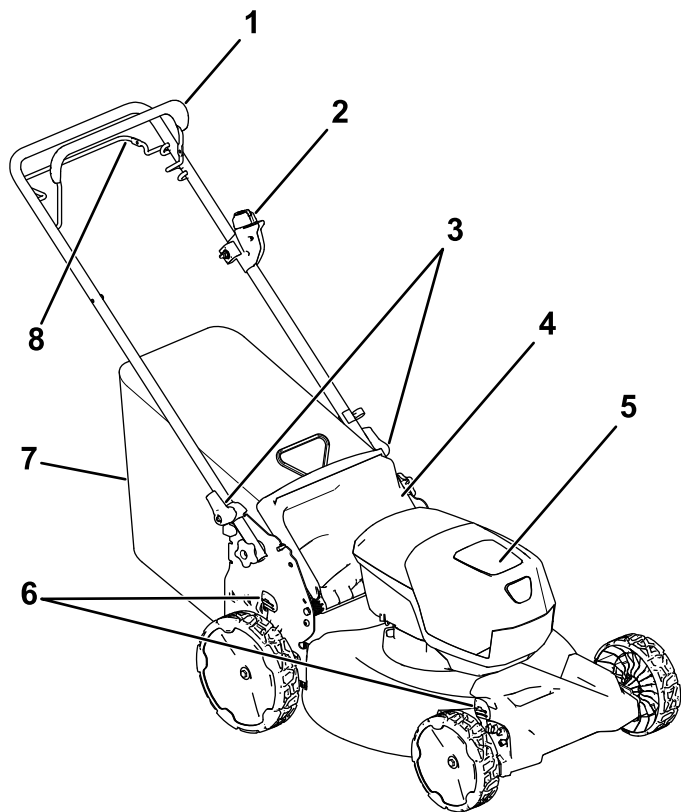


Figura 5

g409529

- | | |
|--|---|
| 1. Barra de control de las cuchillas | 5. Compartimento de la batería |
| 2. Botón de arranque eléctrico | 6. Palanca de altura de corte (2) |
| 3. Palanca de bloqueo del manillar (2) | 7. Bolsa de recogida |
| 4. Deflector trasero | 8. Barra de control de la transmisión autopulsada |

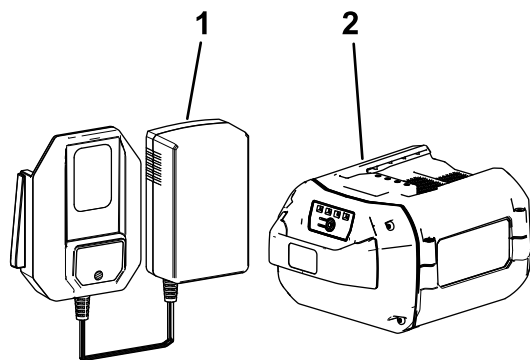


Figura 6

g413066

- | | |
|---|--|
| 1. Cargador de baterías Modelo 88610 (incluido con el Modelo 21326) | 2. Batería modelo 88650 (incluida con el Modelo 21326) |
|---|--|

Especificaciones

Batería

Modelo	88650
Capacidad de la batería	5.0 Ah 270 Wh
Voltaje según el fabricante de la batería = 60 V máximo y 54 V nominal. El voltaje real depende de la carga.	

Cargador de baterías

Modelo	88610
Tipo	Adaptador del cargador de baterías de ion litio 60V MAX
Entrada	120 VCA ~2.0 A, 60 Hz
Salida	60 V CC 1.0 A MÁX

Intervalos de temperatura adecuados

Cargue/guarde la batería a	5 °C (41 °F) a 40 °C (104 °F)*
Utilice la batería a	-30 °C (-22 °F) a 49 °C (120 °F)*
Utilice la máquina a	0 °C (32 °F) a 49 °C (120 °F)*

*El tiempo de carga será mayor si la temperatura no está dentro de este intervalo durante la carga.

Guarde la máquina, la batería y el cargador en un lugar cerrado, limpio y seco.

Aperos/Accesorios

Puede estar disponible una selección de aperos y accesorios homologados por Toro para su uso con la máquina a fin de potenciar y aumentar sus prestaciones. Póngase en contacto con su Servicio Técnico Autorizado o distribuidor autorizado Toro o visite www.Toro.com para obtener una lista de todos los aperos y accesorios homologados.

Para asegurar un rendimiento óptimo y mantener la certificación de seguridad de la máquina, utilice solamente piezas y accesorios genuinos Toro. Las piezas de recambio y accesorios de otros fabricantes podrían ser peligrosos, y su uso podría invalidar la garantía del producto.

Operación

Nota: Los lados derecho e izquierdo de la máquina se determinan desde la posición normal del operador.

Antes del funcionamiento

Instalación de la batería

Importante: Utilice la batería solo a temperaturas que estén dentro del intervalo apropiado; consulte [Especificaciones \(página 11\)](#).

1. Compruebe que los orificios de ventilación de la batería están libres de polvo y residuos.
2. Levante la tapa del compartimento de la batería (Figura 7, A).
3. Alinee el hueco de la batería con la lengüeta de la máquina, e introduzca la batería en el compartimento hasta que se enganche en su sitio (Figura 7, B).
4. Cierre la tapa del compartimento de la batería (Figura 7, C).

Nota: Si la tapa del compartimento de la batería no se cierra por completo, la batería no está correctamente instalada.

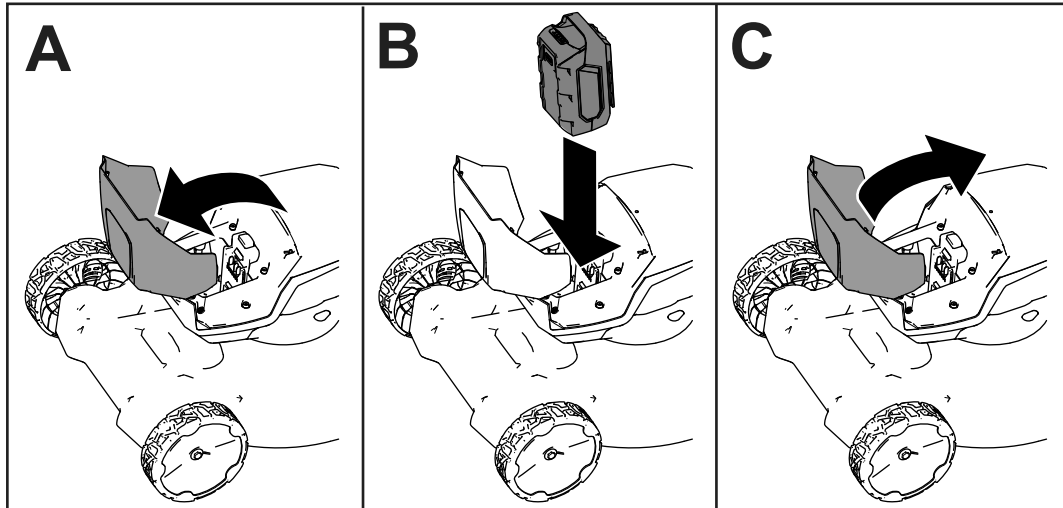


Figura 7

g407696

Ajuste de la altura de corte

⚠ PELIGRO

Al ajustar la altura de corte, podría tocar una cuchilla en movimiento con las manos, lo que podría causarle graves lesiones.

- Apague el motor, retire la batería, y espere a que se detengan todas las piezas en movimiento antes de ajustar la altura de corte.
- No ponga los dedos debajo de la carcasa al ajustar la altura de corte.

Ajuste la altura de corte según desee. Ajuste las cuatro ruedas a la misma altura de corte (Figura 8).

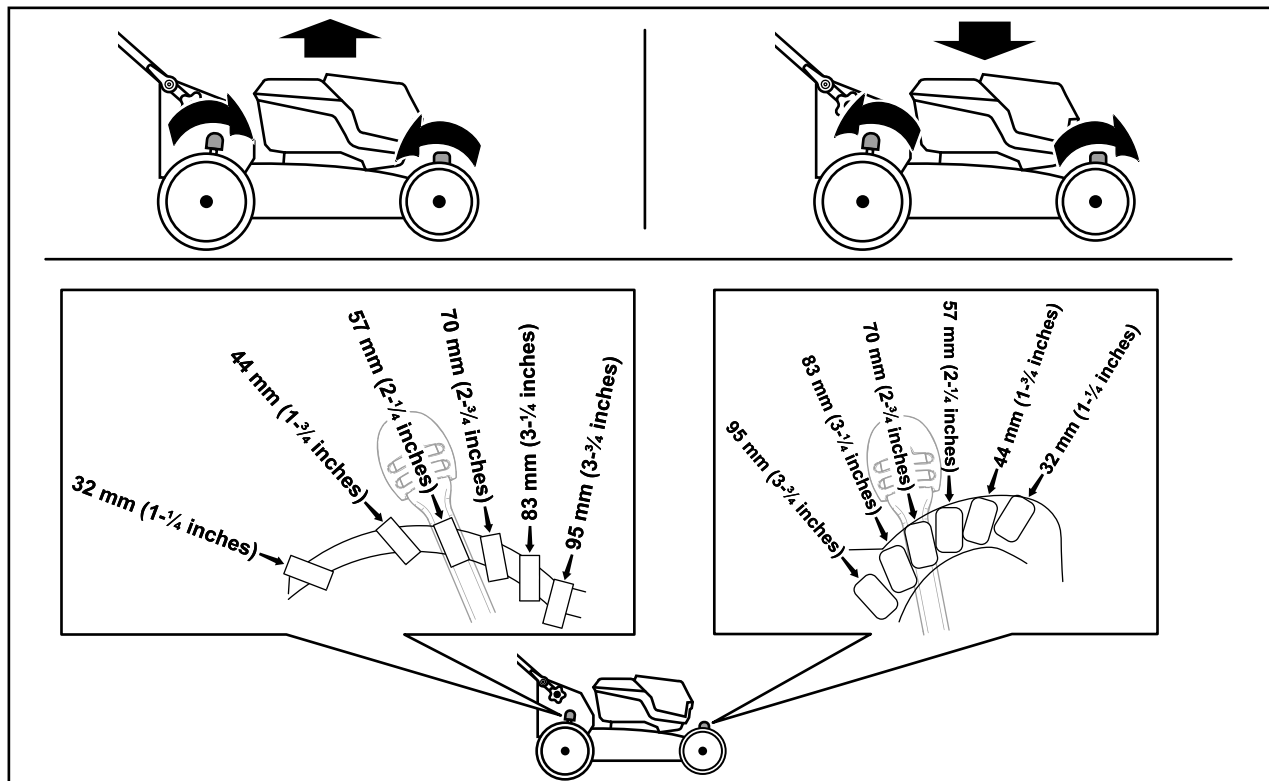


Figura 8

g409499

Durante el funcionamiento

Cómo arrancar la máquina

1. Asegúrese de que la batería está cargada e instalada en la máquina; consulte [Instalación de la batería \(página 12\)](#).
2. Introduzca el botón de arranque eléctrico en el interruptor de arranque eléctrico ([Figura 9, A](#)).
3. Apriete la barra de control de la cuchilla contra el manillar ([Figura 9, B](#)).
4. Pulse el botón de arranque eléctrico y manténgalo pulsado hasta que el motor arranque ([Figura 9, C](#)).

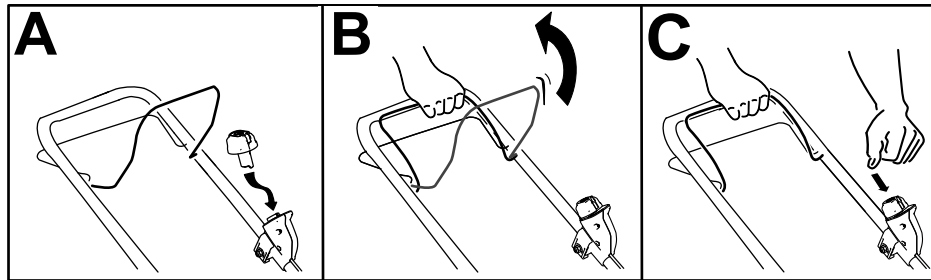


Figura 9

g332149

Uso de la transmisión autopropulsada

- Para activar la autopropulsión: apriete la barra de autopropulsión contra el manillar y manténgala en esa posición ([Figura 10](#)).

Nota: La velocidad máxima de la transmisión autopropulsada es fija. Para reducir la velocidad, aumente el espacio entre la barra de autopropulsión y el manillar.

- Para desengranar la transmisión autopropulsada, suelte la barra de control de transmisión autopropulsada.

Nota: Para reducir la velocidad de avance, aumente el espacio entre la barra de la transmisión autopropulsada y el manillar.

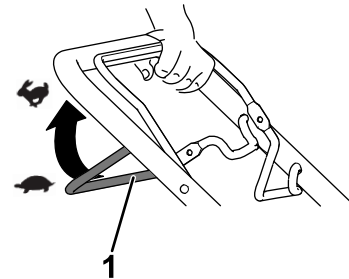


Figura 10

g240765

1. Barra de autopropulsión

Reciclado de los recortes

Su máquina viene preparada de fábrica para reciclar los recortes de hierba y hojas y devolverlos al césped.

Si la bolsa de recogida está instalada en la máquina, retírela antes de reciclar los recortes. Consulte [Cómo retirar la bolsa de recogida \(página 15\)](#).

Ensamblado de los recortes

Utilice la bolsa de recogida si desea recoger los recortes de hierba y hojas del césped.

Instalación de la bolsa de recogida

1. Levante el deflector trasero (Figura 11, A).
2. Introduzca los extremos de la varilla de la bolsa de recogida en las muescas de los soportes del manillar (Figura 11, B).
3. Deje que el deflector trasero descansa sobre la bolsa de recogida.

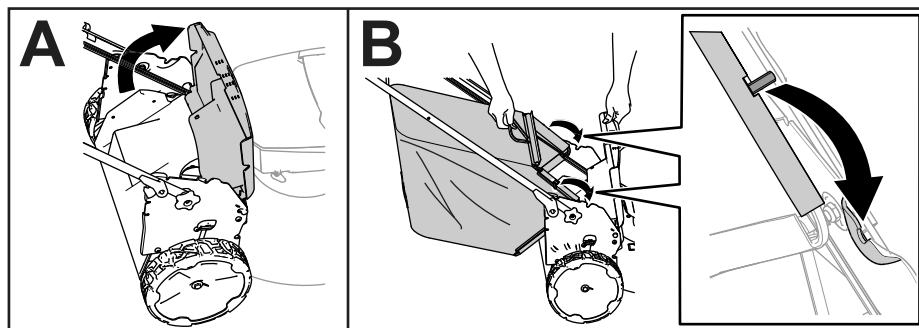


Figura 11

g409510

Cómo retirar la bolsa de recogida

Para retirar la bolsa, siga los pasos de [Instalación de la bolsa de recogida \(página 15\)](#) en sentido inverso.

Apagado de la máquina

1. Suelte la barra de control de la cuchilla (Figura 12, A).
2. Retire el botón de arranque eléctrico del arrancador eléctrico (Figura 12, B).
3. Retire la batería; consulte [Cómo retirar la batería de la máquina \(página 15\)](#).

Nota: Cuando no vaya a usar la máquina, retire la batería.

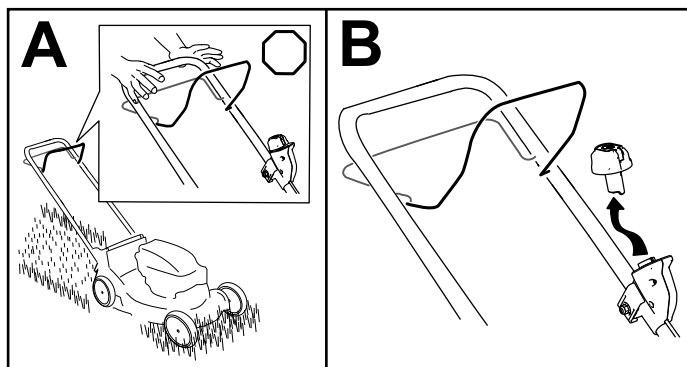


Figura 12

g332151

Cómo retirar la batería de la máquina

1. Levante la tapa del compartimento de la batería.
2. Presione el cierre de la batería para liberar la batería, y retire la batería.
3. Cierre la tapa del compartimento de la batería.

Consejos de operación

Consejos generales de siega

- Inspeccione la zona en la que va a utilizar la máquina y retire cualquier objeto que pudiera ser arrojado por la máquina.
- Evite golpear objetos sólidos con la cuchilla. No siegue nunca por encima de objeto alguno.
- Si la máquina golpea un objeto o empieza a vibrar, apague inmediatamente el motor, espere a que se detengan todas las piezas en movimiento e inspeccione la máquina en busca de daños.
- Para obtener el mejor rendimiento, instale una cuchilla nueva Toro antes de que empiece la temporada de siega, o cuando sea necesario.

Cómo cortar la hierba

- Corte solamente un tercio de la hoja de hierba cada vez. Para mejorar la calidad de corte, la autonomía y el ensacado, siegue a una altura de corte mayor.
- No corte a menos de 51 mm (2") a menos que la hierba sea escasa, o a finales del otoño cuando el ritmo de crecimiento de la hierba empieza a decaer.
- Cuando corte hierba de más de 15 cm (6") de alto, siegue primero usando la altura de corte más alta y camine despacio, luego siegue de nuevo a una altura menor para obtener el mejor aspecto del césped. Si la hierba es demasiado larga, puede atascar la máquina y hacer que se cale el motor.
- La hierba mojada y las hojas mojadas tienden a pegarse al suelo, y pueden atascar la máquina o hacer que se cale el motor. Evite segar en condiciones húmedas.
- Esté atento al posible riesgo de incendio en condiciones muy secas, siga todas las advertencias locales para casos de incendio y mantenga la máquina libre de hierba seca y residuos de hojas.
- Alterne la dirección de corte. Esto ayuda a dispersar los recortes en todo el césped, dando una fertilización más homogénea.
- Si el aspecto final del césped no es satisfactorio, pruebe con una o más de las técnicas siguientes:
 - Cambiar la cuchilla o mandarla a afilar.
 - Caminar más despacio mientras siega.
 - Elevar la altura de corte de la máquina.
 - Cortar el césped con más frecuencia.
 - Solapar los pasillos de corte en lugar de cortar un pasillo completo en cada pasada.

Cómo cortar hojas

- Después de segar el césped, asegúrese de que la mitad del césped se ve a través de la cobertura de hojas cortadas. Es posible que tenga que hacer más de una pasada por encima de las hojas.
- Si hay más de 13 cm (5") de hojas sobre el césped, siegue a una altura de corte superior y luego siegue nuevamente a la altura de corte deseada.
- Siegue más despacio si la máquina no corta las hojas suficientemente finas.

Después del funcionamiento

Carga de la batería

Importante: En el momento de la compra la batería no está totalmente cargada. Antes de usar la herramienta por primera vez, coloque la batería en el cargador y cárguela hasta que el indicador LED indique que la batería está completamente cargada. Lea todas las precauciones de seguridad.

Importante: Cargue la batería solo a temperaturas que estén dentro del intervalo apropiado; consulte [Especificaciones \(página 11\)](#).

Nota: En cualquier momento, presione el botón del indicador de carga de la batería para mostrar la carga actual (indicadores LED).

1. Compruebe que los orificios de ventilación de la batería y del cargador están libres de polvo y residuos.

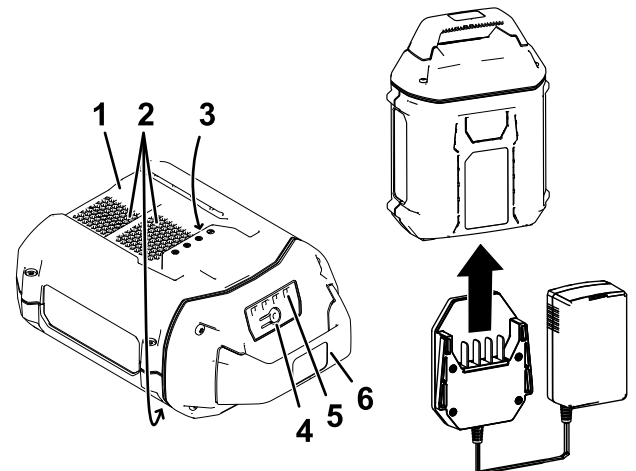


Figura 13

- | | |
|---------------------------------------|---|
| 1. Hueco de la batería | 4. Botón del indicador de carga de la batería |
| 2. Zonas de ventilación de la batería | 5. Indicadores LED (carga actual) |
| 3. Terminales de la batería | 6. Manillar |
2. Alinee el hueco de la batería (Figura 13) con la lengüeta del cargador.
 3. Introduzca el cargador en la batería hasta que esté completamente asentada (Figura 13).
 4. Para retirar la batería, deslice el cargador hacia atrás para sacarla de la batería.
 5. Consulte la tabla siguiente para interpretar el indicador LED del cargador de la batería.

Indicador	Indica:
Apagada	No hay batería insertada
Verde intermitente	La batería se está cargando
Verde	La batería está cargada
Rojo	La batería y/o el cargador de la batería está por encima o por debajo del intervalo de temperatura adecuado
Rojo intermitente	Fallo de carga de la batería*

*Consulte [Solución de problemas \(página 22\)](#) si desea más información.

Importante: La batería puede dejarse conectada al cargador durante periodos cortos entre usos. Si la batería no se va a utilizar durante periodos más largos, retire la batería del cargador; consulte [Almacenamiento \(página 21\)](#).

Limpieza de la máquina

Intervalo de mantenimiento: Después de cada uso

Limpieza de los bajos de la máquina

Intervalo de mantenimiento: Después de cada uso

Para obtener resultados óptimos, limpie debajo de la máquina inmediatamente después de haber terminado la siega.

1. Apague la máquina y retire la batería y la llave de seguridad.
2. Baje la máquina a la altura de corte más baja.
3. Ponga la máquina en la posición de almacenamiento vertical; consulte [Almacenamiento de la máquina en posición vertical \(página 18\)](#).
4. Usando un cepillo o una escoba, limpie cualquier residuo de la parte inferior de la máquina.

Importante: No utilice agua para limpiar la máquina; el agua podría dañar los componentes eléctricos.

5. Limpie el recogedor de hierba.

Cómo plegar el manillar

⚠ ADVERTENCIA

Si despliega el manillar de forma incorrecta, pueden dañarse los cables, creando condiciones de operación inseguras.

- No dañe el/los cable(s) al plegar o desplegar el manillar.
- Asegúrese de colocar el/los cable(s) en el exterior del manillar.
- Si un cable está dañado, póngase en contacto con el Servicio Técnico Autorizado.

1. Retire el botón de arranque eléctrico ([Figura 14](#)).

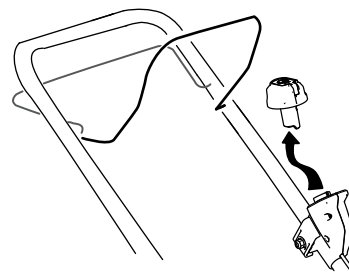


Figura 14

g332163

2. Retire la batería de la máquina.
3. Sujete el manillar mientras abre las palancas de bloqueo del manillar para evitar que las manos queden atrapadas.
4. Abra las palancas de bloqueo del manillar hasta que pueda mover libremente la sección superior del manillar ([Figura 15, A](#)).

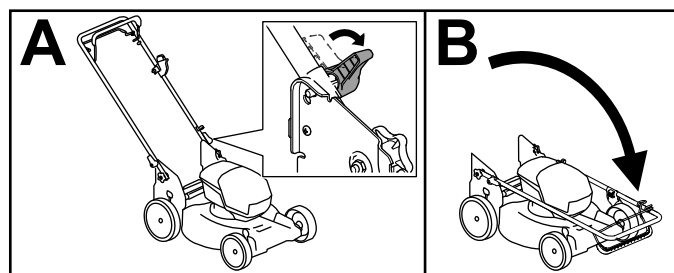


Figura 15

g413060

5. Pliegue el manillar hacia adelante del todo ([Figura 15, B](#)).

Importante: Asegúrese de que los cables quedan por fuera de las palancas de bloqueo del manillar al plegar la sección superior.

6. Para desplegar el manillar, repita el paso A de la [Figura 15](#) y ponga el manillar en la posición de operación.

Almacenamiento de la máquina en posición vertical

Puede almacenar la máquina en posición vertical para aprovechar al máximo el espacio de almacenamiento.

▲ PELIGRO

La posición de almacenamiento vertical deja expuesta la parte inferior de la máquina.

- Retire la batería y el botón de arranque eléctrico antes de mover la máquina a la posición de almacenamiento vertical.
- No transporte la máquina en la posición de almacenamiento vertical.
- No intente arrancar la máquina en la posición de almacenamiento vertical.

1. Retire el botón de arranque eléctrico y la batería de la máquina.
2. Asegúrese de que la altura de corte de la máquina es de 44 mm (1³/₄") o más; si no, aumente la altura de corte; consulte [Ajuste de la altura de corte \(página 13\)](#).
3. Abra las palancas de bloqueo del manillar y pliegue el manillar completamente hacia adelante; consulte [Cómo plegar el manillar \(página 17\)](#).

Importante: Asegúrese de que los cables quedan por fuera de las palancas de bloqueo del manillar al plegar la sección superior.

4. Cierre las palancas de bloqueo del manillar.
5. Levante la parte delantera de la máquina con el manillar y llévela al lugar de almacenamiento ([Figura 16](#)).

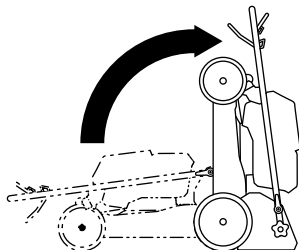


Figura 16

g409126

Mantenimiento

Retire el botón de arranque eléctrico y la batería de la máquina antes de realizar tareas de mantenimiento o limpieza en la máquina.

Siempre apague la máquina, espere a que se detengan todas las piezas en movimiento, y deje que la máquina se enfríe antes de hacer trabajos de ajuste, revisión, limpieza o almacenamiento.

Utilice únicamente piezas de repuesto y accesorios recomendados por el fabricante.

Inspeccione y revise la máquina de forma regular. La máquina debe ser reparada únicamente por un Servicio Técnico Autorizado.

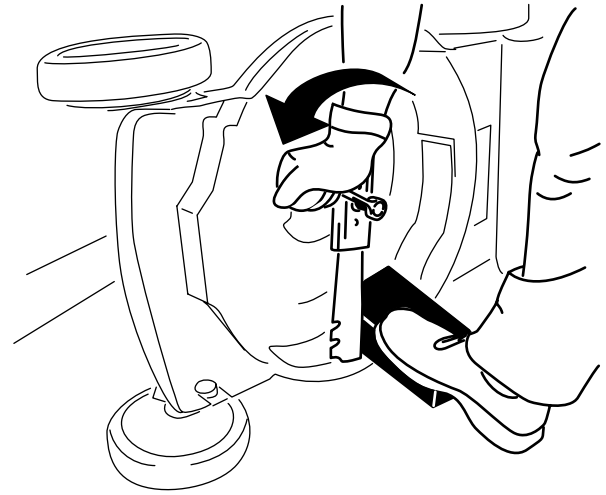


Figura 17

g231389

Lubricación de la máquina

No es necesario lubricar la máquina; todos los cojinetes vienen de fábrica lubricados para toda la vida de la máquina.

Cómo cambiar la cuchilla

Intervalo de mantenimiento: Cada año

Importante: Usted necesitará una llave dinamométrica para instalar la cuchilla correctamente. Si no dispone de una llave dinamométrica o prefiere no realizar este procedimiento, póngase en contacto con el Servicio Técnico Autorizado.

Si la cuchilla está dañada o agrietada, sustitúyala inmediatamente. Si el filo de la cuchilla está romo o mellado, mande a afilar la cuchilla o cámbiela.

⚠ ADVERTENCIA

Mientras se realiza el mantenimiento de la cuchilla, la cuchilla puede moverse incluso si la fuente de alimentación está apagada. La cuchilla está muy afilada; cualquier contacto con la cuchilla puede causar lesiones personales graves.

- Mantenga las manos y los pies alejados de una cuchilla en movimiento.
- Lleve guantes al realizar el mantenimiento de la cuchilla.

1. Retire la batería de la máquina.
2. Utilice un bloque de madera para inmovilizar la cuchilla (Figura 17).
3. Retire el perno de la cuchilla y la cuchilla; guarde el perno de la cuchilla (Figura 17).

4. Instale la cuchilla nueva y el perno de la cuchilla (Figura 18).

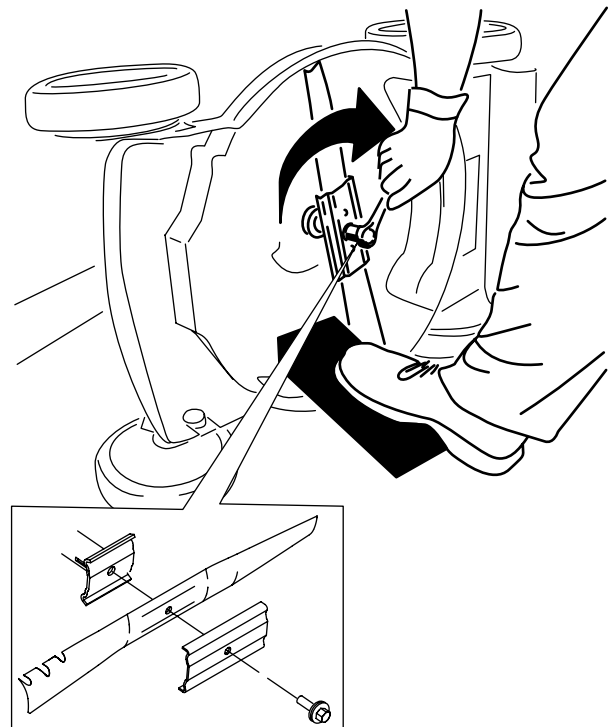


Figura 18

g231390

Importante: Coloque los extremos curvos de la cuchilla hacia arriba, hacia la carcasa de la máquina.

5. Utilice una llave dinamométrica para apretar el perno de la cuchilla a 82 N·m (60 pies-libra).

Ajuste de la transmisión autopropulsada

Cada vez que instale un nuevo cable de la transmisión autopropulsada o si la transmisión autopropulsada está mal ajustada, ajuste el cable de la transmisión autopropulsada.

1. Afloje la tuerca del soporte del cable (Figura 19).

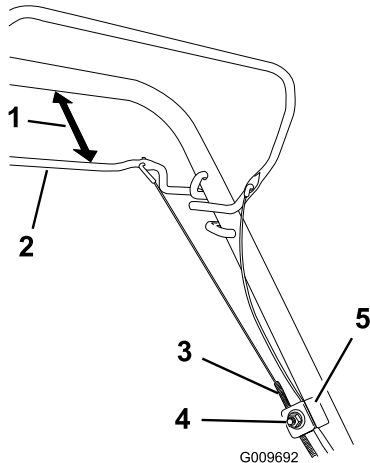


Figura 19

g009692

- | | |
|----------------------------|---------------------------------|
| 1. 25 a 38 mm (1" a 1½") | 4. Tuerca del soporte del cable |
| 2. Barra de autopropulsión | 5. Soporte del cable |
| 3. Cubierta del cable | |

2. Sujete la barra de la transmisión autopropulsada a una distancia de 25 mm – 38 mm (1" – 1½") del manillar (Figura 19).
3. Tire hacia abajo de la cubierta del cable (hacia la máquina) hasta eliminar la holgura del cable (Figura 19).
4. Apriete la tuerca del soporte del cable.
5. Suelte la barra de la transmisión autopropulsada y asegúrese de que el cable está suelto.

Nota: El cable debe quedar suelto cuando usted suelte la barra de la transmisión autopropulsada; de otra forma la máquina podría desplazarse hacia adelante cuando la barra está en posición desengranada.

Preparación de la batería para el reciclado

Importante: Después de retirarla, cubra los terminales de la batería con cinta adhesiva de servicio pesado. No intente destruir o desmontar la batería ni intente retirar cualquiera de los componentes de la misma.



Las baterías de ion litio etiquetadas con el sello Call2Recycle pueden ser recicladas en cualquier comercio o instalación de reciclado de baterías adscrito al programa Call2Recycle (solo EE. UU. y Canadá). Para localizar un comercio o una instalación participante cercano, llame al 1-800-822-8837 o visite www.call2recycle.org. Si no puede localizar un comercio o instalación participante cercano, o si su batería recargable no está etiquetada con el sello Call2Recycle, póngase en contacto con su ayuntamiento para obtener más información sobre el reciclado responsable de la batería. Si se encuentra fuera de EE. UU. o Canadá, póngase en contacto con su distribuidor Toro autorizado.

Almacenamiento

Importante: Almacene la máquina, la batería y el cargador solo a temperaturas que estén dentro del intervalo apropiado; consulte [Especificaciones \(página 11\)](#).

Importante: Si va a almacenar la herramienta hasta la temporada siguiente, cárguela hasta que 2 o 3 de los indicadores LED de la batería cambien a verde. No almacene la batería completamente cargada ni completamente descargada. Antes de volver a usar la máquina, cargue la batería hasta que se vuelva verde el indicador izquierdo del cargador, o hasta que los 4 indicadores LED de la batería se vuelvan verdes.

- Desconecte el producto del suministro de energía (es decir, retire la batería y el botón de arranque eléctrico) y compruebe si hay daños después del uso.
- No almacene la máquina o el cargador con la batería instalada.
- Limpie cualquier material extraño del producto.
- Cuando no se estén utilizando, almacene la máquina, el botón de arranque eléctrico, la batería y el cargador de la batería fuera del alcance de los niños.
- Mantenga la máquina, la batería y el cargador de la batería alejados de agentes corrosivos como productos químicos de jardín o sal para deshielo.
- Para reducir el riesgo de lesiones personales graves, no almacene la batería en el exterior o en un vehículo.
- Guarde la máquina, la batería y el cargador en un lugar cerrado, limpio y seco.

Solución de problemas

Realice solo los pasos descritos en estas instrucciones. Cualquier otro trabajo de inspección, mantenimiento o reparación debe ser realizado por un Servicio Técnico Autorizado o por un especialista autorizado si no puede solucionar el problema usted mismo.

Problema	Posible causa	Acción correctora
La máquina no arranca.	<ol style="list-style-type: none"> 1. La batería no está correctamente instalada en la máquina. 2. La batería no está cargada. 3. La batería está dañada. 4. Hay otro problema eléctrico con la máquina. 	<ol style="list-style-type: none"> 1. Retire y luego vuelva a colocar la batería en la máquina, asegurándose de que está completamente instalada y bloqueada. 2. Retire la batería de la máquina y cárguela. 3. Sustituya la batería. 4. Póngase en contacto con el Servicio Técnico Autorizado.
La máquina no funciona o no funciona de forma continua.	<ol style="list-style-type: none"> 1. Hay humedad en los cables de la batería. 2. La batería no está instalada por completo en la herramienta. 	<ol style="list-style-type: none"> 1. Deje que la batería se seque o séquela con un paño. 2. Retire y luego vuelva a colocar la batería en la herramienta, asegurándose de que está completamente instalada y bloqueada.
La máquina no alcanza la máxima potencia.	<ol style="list-style-type: none"> 1. La capacidad de carga de la batería es demasiado baja. 2. Los orificios de ventilación están obstruidos. 	<ol style="list-style-type: none"> 1. Retire la batería de la máquina y cargue completamente la batería. 2. Limpie los orificios de ventilación.
La batería se descarga rápidamente.	<ol style="list-style-type: none"> 1. La temperatura de la batería está por encima o por debajo del intervalo de temperatura adecuado. 2. La máquina está sobrecargada. 	<ol style="list-style-type: none"> 1. Traslade la batería a un lugar seco cuya temperatura sea de entre 5 °C (41 °F) y 40 °C (104 °F). 2. Siegue a una altura de corte más alta o camine a un ritmo más lento durante la siega.
El cargador de la batería no funciona.	<ol style="list-style-type: none"> 1. La temperatura del cargador de la batería está por encima o por debajo del intervalo de temperatura adecuado. 2. La toma de corriente en la que está enchufado el cargador de la batería no tiene corriente. 	<ol style="list-style-type: none"> 1. Desenchufe el cargador de la batería y trasládalo a un lugar seco cuya temperatura sea de entre 5 °C (41 °F) y 40 °C (104 °F). 2. Póngase en contacto con un electricista autorizado para que repare la toma de corriente.
La máquina no avanza con el sistema de autopropulsión.	<ol style="list-style-type: none"> 1. El cable de la transmisión autopropulsada está mal ajustado o dañado. 	<ol style="list-style-type: none"> 1. Ajuste el cable de la transmisión autopropulsada. Cambie el cable si es necesario.
El indicador LED del cargador de la batería está rojo.	<ol style="list-style-type: none"> 1. El cargador de la batería y/o la batería está por encima o por debajo del intervalo de temperatura adecuado. 	<ol style="list-style-type: none"> 1. Desenchufe el cargador de la batería y mueva el cargador de la batería y la batería a un lugar seco cuya temperatura sea de entre 5 °C (41 °F) y 40 °C (104 °F).

Problema	Posible causa	Acción correctora
El indicador LED del cargador de la batería parpadea en rojo.	<ol style="list-style-type: none"> <li data-bbox="586 121 1029 178">1. Hay un error de comunicaciones entre la batería y el cargador. <li data-bbox="586 478 932 506">2. La batería está casi agotada. 	<ol style="list-style-type: none"> <li data-bbox="1062 121 1503 464">1. Retire la batería del cargador, desconecte el cargador de la toma de corriente y espere 10 segundos. Vuelva a enchufar el cargador en la toma de corriente y coloque la batería en el cargador. Si el indicador LED del cargador sigue parpadeando en rojo, repita este procedimiento. Si el indicador LED del cargador sigue parpadeando en rojo después de 2 intentos, elimine la batería correctamente en una instalación de reciclado de baterías. <li data-bbox="1062 478 1503 611">2. Póngase en contacto con un servicio técnico autorizado si la batería está en garantía, o elimine correctamente la batería en una instalación de reciclado de baterías.
La máquina produce pitidos.	<ol style="list-style-type: none"> <li data-bbox="586 630 915 657">1. La batería no está cargada. <li data-bbox="586 699 980 756">2. La máquina está en una posición insegura para el uso. <li data-bbox="586 762 959 789">3. La máquina está sobrecargada. <li data-bbox="586 846 992 903">4. Hay otro problema eléctrico con la máquina. 	<ol style="list-style-type: none"> <li data-bbox="1062 630 1455 686">1. Retire la batería de la máquina y cárguela. <li data-bbox="1062 699 1503 756">2. Asegúrese de que la máquina no tiene una inclinación extrema durante el uso. <li data-bbox="1062 762 1503 837">3. Siegue a una altura de corte más alta o camine a un ritmo más lento durante la siega. <li data-bbox="1062 846 1503 951">4. Pruebe las demás acciones de solución de problemas, y si la alarma sigue sonando, póngase en contacto con un Servicio Técnico Autorizado.
La calidad de corte es reducida o insatisfactoria.	<ol style="list-style-type: none"> <li data-bbox="586 968 906 995">1. La cuchilla no está afilada. <li data-bbox="586 1037 951 1094">2. La carcasa de corte tiene una acumulación de residuos. 	<ol style="list-style-type: none"> <li data-bbox="1062 968 1455 1024">1. Haga que la cuchilla se afile o se cambie. <li data-bbox="1062 1037 1409 1064">2. Limpie debajo de la máquina.
El ensacado es deficiente o insatisfactorio.	<ol style="list-style-type: none"> <li data-bbox="586 1110 959 1138">1. La máquina está sobrecargada. 	<ol style="list-style-type: none"> <li data-bbox="1062 1110 1503 1138">1. Siegue a una altura de corte más alta.
La máquina corta de forma desigual.	<ol style="list-style-type: none"> <li data-bbox="586 1161 906 1188">1. La cuchilla no está afilada. <li data-bbox="586 1230 976 1257">2. La carcasa de corte está dañada. 	<ol style="list-style-type: none"> <li data-bbox="1062 1161 1455 1218">1. Haga que la cuchilla se afile o se cambie. <li data-bbox="1062 1230 1487 1287">2. Póngase en contacto con el Servicio Técnico Autorizado.
La máquina vibra.	<ol style="list-style-type: none"> <li data-bbox="586 1304 992 1331">1. La cuchilla está doblada o dañada. 	<ol style="list-style-type: none"> <li data-bbox="1062 1304 1487 1360">1. Inspeccione la cuchilla y cámbiela si es necesario.

Información sobre las Advertencias de la Proposición 65 de California

¿Qué significa esta advertencia?

Puede ver un producto a la venta que lleva una etiqueta de advertencia como la siguiente:



ADVERTENCIA: Cáncer y daños reproductivos – www.p65Warnings.ca.gov.

¿Qué es la Proposición 65?

La Proposición 65 afecta a cualquier empresa que tenga presencia en California, que venda productos en California, o que fabrique productos que podrían ser introducidos o vendidos en California. Esta ley exige que el Gobernador de California mantenga y publique una lista de sustancias químicas identificadas como causantes de cáncer, defectos de nacimiento y/u otros daños reproductivos. La lista, que se actualiza anualmente, incluye cientos de productos químicos que se encuentran en muchos artículos de uso diario. El propósito de la Proposición 65 es informar al público sobre la exposición a estos productos químicos.

La Proposición 65 no prohíbe la venta de productos que contengan estos productos químicos, sino que requiere la presencia de advertencias en el producto, el envase y la documentación suministrada con el producto. Además, una advertencia de la Proposición 65 no significa que el producto contravenga ninguna norma o requisito de seguridad. De hecho, el gobierno de California ha aclarado que una advertencia bajo la Proposición 65 "no es lo mismo que una decisión legal sobre la 'seguridad' o la 'inseguridad' de un producto". Muchos de estos productos químicos han sido utilizados durante años en productos de uso diario sin que se hayan producido daños documentados. Para obtener más información, visite <https://oag.ca.gov/prop65/faqs-view-all>.

Una advertencia de la Proposición 65 significa que una empresa (1) ha evaluado la exposición y ha concluido que supera el nivel de "sin riesgo significativo"; o (2) ha optado por proporcionar una advertencia basándose en sus conocimientos respecto a la presencia de un producto químico de los incluidos en la lista, sin intentar evaluar la exposición.

¿Se aplica esta ley en todas partes?

Las advertencias de la Proposición 65 sólo son exigidas bajo la legislación de California. Estas advertencias se ven por toda California en una gran variedad de entornos, incluyendo entre otros restaurantes, tiendas de alimentación, hoteles, escuelas y hospitales, y en una amplia variedad de productos. Además, algunos minoristas de Internet y de la venta por correo incluyen advertencias de la Proposición 65 en sus sitios web o en sus catálogos.

¿Qué diferencia hay entre las advertencias de California y los límites federales?

Las normas de la Proposición 65 son a menudo más exigentes que las normas federales o internacionales. Varias sustancias requieren una advertencia bajo la Proposición 65 a niveles muy inferiores a los límites federales. Por ejemplo, el nivel exigido por la Proposición 65 para las advertencias sobre el plomo es de 0.5 µg/día, que es muy inferior a lo que exigen las normas federales e internacionales.

¿Por qué no llevan la advertencia todos los productos similares?

- Los productos vendidos en California deben llevar etiquetas bajo la Proposición 65, mientras que otros productos similares que se venden en otros lugares no las necesitan.
- Una empresa puede estar obligada a incluir advertencias de Proposición 65 en sus productos como condición de un acuerdo tras un procedimiento legal relacionado con la Proposición 65, pero otras empresas que fabrican productos similares no tienen necesariamente la misma obligación.
- La aplicación de la Proposición 65 no es uniforme.
- Algunas empresas pueden optar por no proporcionar advertencias porque concluyen que no están obligadas a hacerlo bajo la Proposición 65; la falta de advertencias en un producto no significa que el producto esté libre de los productos químicos incluidos en la lista a niveles similares.

¿Por qué incluye el fabricante esta advertencia?

el fabricante ha optado por proporcionar a los consumidores la mayor cantidad posible de información para que puedan tomar decisiones informadas sobre los productos que compra y utiliza. el fabricante proporciona advertencias en ciertos casos basándose en sus conocimientos sobre la presencia de uno o más productos químicos de la lista, sin evaluar el nivel de exposición, puesto que la lista no incluye límites de exposición para todos los productos químicos que contiene. Aunque la exposición que provocan los productos del fabricante puede ser insignificante, o estar dentro de los límites de la categoría "sin riesgo significativo", el fabricante ha optado por proporcionar las advertencias de la Proposición 65 por simple precaución. Además, si el fabricante no proporcionara estas advertencias, podría ser demandada por el Estado de California o por particulares bajo la Proposición 65, y estar sujeta a importantes sanciones.



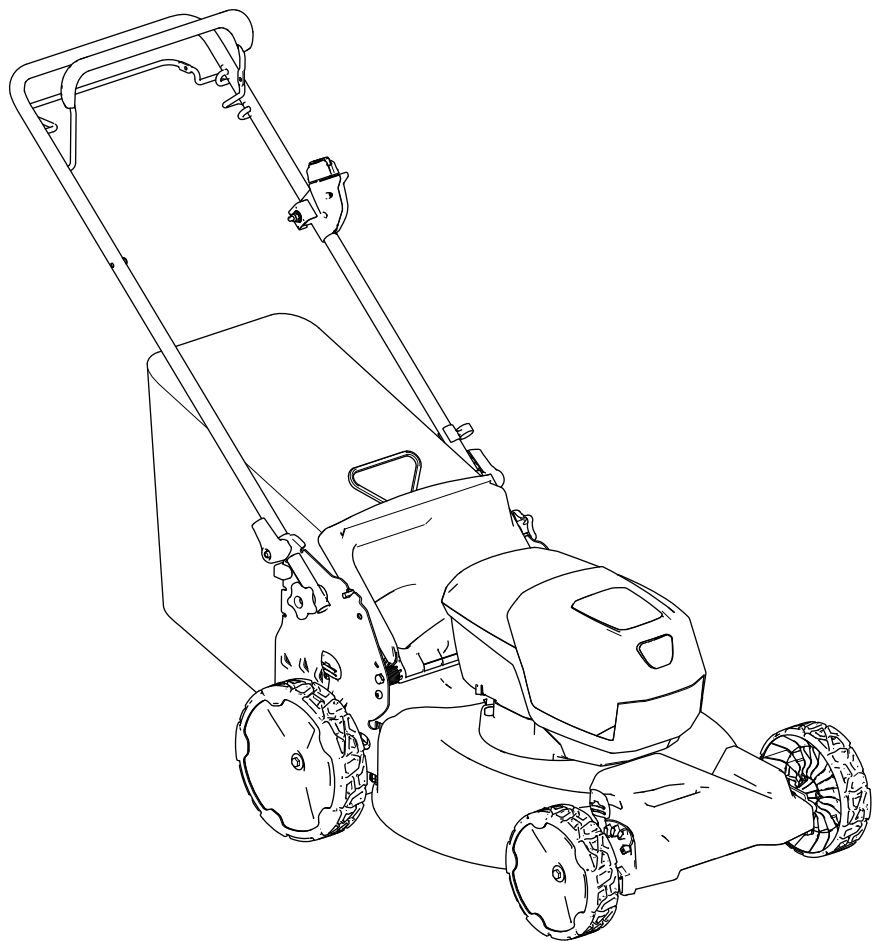
Count on it.

Manuel de l'utilisateur

**Tondeuse Recycler[®] 60 V MAX
53 cm (21 po) Flex-Force Power
System[™] avec SmartStow[®]**

N° de modèle 21326—N° de série 400000000 et suivants

N° de modèle 21326T—N° de série 400000000 et suivants





Si vous avez besoin d'aide, visionnez les vidéos d'instruction sur www.Toro.com/support ou appelez le 1-888-384-9939 avant de renvoyer ce produit.

⚠ ATTENTION

CALIFORNIE

Proposition 65 - Avertissement

Le cordon d'alimentation de cette machine contient du plomb, une substance chimique considérée par l'état de Californie comme susceptible de provoquer des malformations congénitales et autres troubles de la reproduction. Lavez-vous les mains après avoir manipulé la batterie.

L'utilisation de ce produit peut entraîner une exposition à des substances chimiques considérées pas l'état de Californie comme capables de provoquer des cancers, des anomalies congénitales ou d'autres troubles de la reproduction.

produit, et éviter ainsi de l'endommager ou de vous blesser. Vous êtes responsable de l'utilisation sûre et correcte du produit.

Pour plus d'information, y compris des conseils de sécurité, des documents de formation, des renseignements concernant un accessoire, pour obtenir l'adresse d'un dépositaire ou pour enregistrer votre produit, rendez-vous sur le site www.Toro.com.

Pour obtenir des prestations de service, des pièces d'origine ou des renseignements complémentaires, munissez-vous des numéros de modèle et de série du produit et contactez un dépositaire-réparateur agréé ou le service client du constructeur. La **Figure 1** indique l'emplacement des numéros de modèle et de série du produit. Inscrivez les numéros dans l'espace réservé à cet effet.

Important: Avec votre appareil mobile, vous pouvez scanner le code QR sur l'autocollant du numéro de série (le cas échéant) pour accéder à l'information sur la garantie, les pièces détachées et autres renseignements concernant le produit.

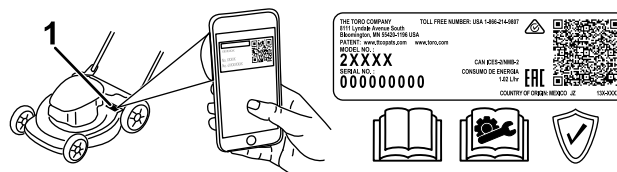


Figure 1

g282707

1. Emplacement des numéros de modèle et de série

N° de modèle _____

N° de série _____

Introduction

Cette tondeuse autotractée à lame rotative est destinée au grand public. Elle est principalement conçue pour tondre les pelouses entretenues régulièrement dans les terrains privés. Elle n'est pas conçue pour couper les broussailles ni pour un usage agricole.

Elle est conçue pour utiliser les batteries ion-lithium Toro de 60 V. Ces batteries sont conçues pour être chargées uniquement avec les chargeurs de batteries ion-lithium Toro de 60 V. L'utilisation de ces produits à d'autres fins que celles prévues peut être dangereuse pour vous-même et toute personne à proximité. L'utilisation de ces produits à d'autres fins que celles prévues peut être dangereuse pour vous-même et toute personne à proximité.

Le modèle 21326T ne comprend pas de batterie ni de chargeur.

Lisez attentivement cette notice pour apprendre comment utiliser et entretenir correctement votre

Symbole de sécurité

Le symbole de sécurité (**Figure 2**) utilisé dans ce manuel et sur la machine identifie d'importants messages de sécurité dont vous devez tenir compte pour éviter des accidents.



Figure 2

Symbole de sécurité

g000502

Le symbole de sécurité apparaît au-dessus de toute information signalant des actions ou des situations dangereuses. Il est suivi de la mention **DANGER**, **ATTENTION** ou **PRUDENCE**.

DANGER : Signale un danger immédiat qui, s'il n'est pas évité, **entraînera obligatoirement** des blessures graves ou mortelles.

ATTENTION : Signale un danger potentiel qui, s'il n'est pas évité, **risque d'entraîner** des blessures graves ou mortelles.

PRUDENCE : Signale un danger potentiel qui, s'il n'est pas évité, **peut éventuellement entraîner** des blessures légères ou modérées.

Ce manuel utilise également deux autres termes pour faire passer des renseignements essentiels. **Important**, pour attirer l'attention sur une information d'ordre mécanique spécifique, et **Remarque**, pour souligner une information d'ordre général méritant une attention particulière.

Table des matières

Symbole de sécurité	2
Sécurité	3
.....	3
Autocollants de sécurité et d'instruction	6
Mise en service	9
1 Montage du bac à herbe	9
2 Dépliage du guidon	9
Vue d'ensemble du produit	11
Caractéristiques techniques	11
Outils et accessoires.....	11
Avant l'utilisation	12
Installation de la batterie	12
Réglage de la hauteur de coupe	13
Pendant l'utilisation	14
Démarrage de la machine.....	14
Utilisation de l'autopropulsion	14
Recyclage de l'herbe coupée.....	14
Ramassage de l'herbe coupée	15
Arrêter la machine	15
Retrait de la batterie de la machine	15
Conseils d'utilisation	15
Après l'utilisation	16
Charge de la batterie	16
Nettoyage de la machine	17
Pliage du guidon	17
Remisage de la machine en position verticale	18
Entretien	19
Graissage de la machine	19
Remplacement de la lame	19
Réglage de l'autopropulsion	20
Préparation de la batterie pour le recyclage	20
Remisage	21
Dépistage des défauts	22

Sécurité

IMPORTANTES CONSIGNES DE SÉCURITÉ

⚠ ATTENTION

L'utilisation de tondeuses électriques exige d'observer certaines précautions élémentaires pour réduire le risque d'incendie, de choc électrique et de dommage corporel, notamment ce qui suit :

Lisez toutes les instructions.

I. Formation à l'utilisation

1. L'utilisateur de la machine est responsable des accidents et dommages causés aux autres personnes et à leurs possessions.
2. N'autorisez pas les enfants à utiliser ou jouer avec la machine, la batterie ou le chargeur de batterie; certaines législations imposent un âge minimum pour l'utilisation de ce type de machine.
3. Ne confiez pas l'utilisation ou l'entretien de la machine à des enfants ou à des personnes non compétentes. Seules les personnes responsables, formées à l'utilisation de l'appareil, ayant lu et compris les instructions et physiquement aptes sont autorisées à utiliser l'appareil ou à en faire l'entretien.
4. Avant d'utiliser la machine, la batterie et le chargeur de batterie, lisez toutes les instructions et mises en garde qui figurent sur ces produits.
5. Familiarisez-vous avec les commandes et le maniement correct de la machine, de la batterie et du chargeur de batterie.

II. Avant l'utilisation

1. Tenez tout le monde, notamment les enfants et les animaux, à l'écart de la zone de travail.
2. N'utilisez pas la machine s'il manque des capots ou des dispositifs de protection tels que déflecteurs et bacs à herbe, ou s'ils sont en mauvais état.
3. Examinez la zone de travail et débarrassez-la de tout objet pouvant gêner le fonctionnement de la machine ou être projeté pendant son utilisation.
4. Avant d'utiliser la machine, vérifiez que la lame, le boulon de la lame et l'ensemble ne sont pas usés ni endommagés. Remplacez toutes les étiquettes endommagées ou illisibles.

5. Utilisez uniquement la batterie spécifiée par Toro. L'utilisation d'autres accessoires et outils peut accroître le risque de blessure et d'incendie.
6. Vous pouvez causer un incendie ou un choc électrique si vous branchez le chargeur de batterie à une prise qui n'est pas de 120V. Ne branchez pas le chargeur de batterie à une prise autre que 120V. Pour un autre mode de connexion, vous pouvez, au besoin, utiliser un adaptateur configuré correctement pour la prise.
7. N'utilisez pas la batterie ou le chargeur de batterie s'ils sont endommagés ou modifiés, car ils pourraient se comporter de manière imprévisible et causer un incendie, une explosion ou des blessures.
8. Si le cordon d'alimentation relié au chargeur de batterie est endommagé, contactez un dépositaire-réparateur agréé pour le faire remplacer.
9. Chargez la batterie uniquement avec le chargeur spécifié par Toro. Un chargeur convenant à un certain type de batterie peut créer un risque d'incendie s'il est utilisé avec une autre batterie.
10. Ne chargez la batterie que dans un endroit bien aéré.
11. Suivez toutes les instructions de charge et ne chargez pas la batterie hors de la plage de température spécifiée dans les instructions. Vous risquez sinon d'endommager la batterie et d'accroître le risque d'incendie.
12. Portez des vêtements adéquats – portez une tenue appropriée, y compris une protection oculaire, un pantalon, des chaussures solides à semelle antidérapante (ne travaillez pas pieds nus ou en sandales) et des protecteurs d'oreilles. Si vos cheveux sont longs, attachez-les et ne portez pas de vêtements amples ni de bijoux pendants qui pourraient se prendre dans les pièces mobiles. Portez un masque antipoussière si l'atmosphère est poussiéreuse.
5. Évitez les démarrages accidentels – vérifiez que le bouton de démarrage électrique est retiré du commutateur de démarrage électrique avant de brancher la batterie et de manipuler la machine.
6. Accordez toute votre attention à l'utilisation de la machine. Ne vous livrez à aucune activité risquant de vous distraire, au risque de causer des dommages corporels ou matériels.
7. Arrêtez la machine, retirez le bouton de démarrage électrique, enlevez la batterie de la machine et attendez l'arrêt de tout mouvement avant de régler, réviser, nettoyer ou remiser la machine.
8. Enlevez la batterie et le bouton de démarrage électrique de la machine chaque fois que vous la laissez sans surveillance ou avant de changer d'accessoires.
9. Ne faites pas forcer la machine – elle donnera de bien meilleurs résultats et sera plus sûre si vous l'utilisez à la vitesse pour laquelle elle est prévue.
10. Restez alerte – concentrez-vous sur votre tâche et faites preuve de bon sens lorsque vous utilisez la machine. N'utilisez pas la machine si vous êtes malade ou fatigué(e), ni sous l'emprise de l'alcool, de drogues ou de médicaments.
11. N'utilisez pas une tondeuse alimentée par batterie sous la pluie.
12. N'utilisez la machine que si la visibilité est suffisante et dans de bonnes conditions météorologiques. N'utilisez pas la machine si la foudre menace.
13. Redoublez de prudence lorsque vous faites marche arrière ou que vous tirez la machine vers vous.
14. Gardez toujours les pieds bien posés à terre et maintenez votre équilibre, en particulier sur les pentes. Travaillez transversalement à la pente, jamais en montant ou descendant. Changez de direction avec la plus grande prudence sur les terrains en pente. Ne tondez pas de pentes trop raides. Avancez toujours à une allure normale avec la machine, ne courez pas.

III. Utilisation

1. Le contact avec la lame en mouvement entraîne des blessures graves. Gardez les mains et les pieds à l'écart de la zone de coupe et de toutes les pièces mobiles de la machine. Ne vous tenez pas devant l'ouverture d'éjection.
2. L'utilisation de cette machine à d'autres fins que celle prévue peut être dangereuse pour vous-même et toute personne à proximité.
3. Désengagez l'autopropulsion (selon l'équipement) avant de démarrer la machine.
4. N'inclinez pas la machine quand vous démarrez le moteur.
15. Ne dirigez pas l'éjection vers qui que ce soit. N'éjectez pas l'herbe coupée contre un mur ou un obstacle, car elle pourrait ricocher dans votre direction. Arrêtez la ou les lames avant de traverser des surfaces non recouvertes d'herbe.
16. Méfiez-vous des trous, ornières, bosses, rochers ou autres obstacles cachés. Les irrégularités du terrain peuvent vous faire déraper ou perdre l'équilibre.
17. En travaillant sur l'herbe ou les feuilles humides, vous risquez de glisser et de vous blesser

gravement si vous touchez la lame en tombant. Ne tondez pas quand l'herbe est humide. Ne tondez pas sous la pluie.

18. Si la machine heurte un objet ou se met à vibrer, arrêtez-la immédiatement, enlevez le bouton de démarrage électrique, enlevez la batterie et attendez l'arrêt complet de tout mouvement avant de vérifier l'état de la machine. Effectuez toutes les réparations nécessaires avant de réutiliser la machine.
19. Arrêtez la machine et enlevez le bouton de démarrage électrique avant de charger la machine pour le transport.
20. Dans des conditions d'utilisation abusive, du liquide peut jaillir hors de la batterie; évitez tout contact. En cas de contact accidentel avec le liquide, rincez à l'eau. En cas de contact du liquide avec les yeux, consultez un médecin. Le liquide éjecté de la batterie peut causer des irritations ou des brûlures.

IV. Entretien et remisage

1. Arrêtez la machine, retirez le bouton de démarrage électrique, enlevez la batterie de la machine et attendez l'arrêt de tout mouvement avant de régler, réviser, nettoyer ou remiser la machine.
2. N'essayez pas de réparer la machine sauf en suivant les instructions. Confiez l'entretien de la machine à un dépositaire-réparateur agréé qui utilise des pièces de rechange identiques.
3. Portez des gants et une protection oculaire pour faire l'entretien de la machine.
4. Aiguiser les lames émoussées aux deux extrémités pour les maintenir équilibrées. Nettoyez la lame et vérifiez qu'elle est équilibrée.
5. Remplacez la lame si elle est faussée, usée ou fissurée. Une lame mal équilibrée provoque des vibrations qui risquent d'endommager le moteur ou de causer des blessures.
6. Quand vous faites l'entretien de la lame, n'oubliez pas qu'elle peut encore bouger même si l'alimentation électrique est coupée.
7. Vérifiez fréquemment que le bac de ramassage n'est pas détérioré ou usé; remplacez un bac usé par un bac Toro.
8. Pour obtenir des résultats optimaux, utilisez uniquement des pièces de rechange et des accessoires Toro d'origine. Les pièces de rechange et accessoires d'une autre marque peuvent être dangereux et leur utilisation risque d'annuler la garantie de la machine.
9. Maintenez la machine en bon état – pour obtenir des performances optimales et sûres,

conservez le tranchant des lames bien affûté et propre. Gardez les poignées propres et sèches, et exemptes d'huile et de graisse. Gardez toujours les protections en place et en bon état. Maintenez les lames bien aiguisées. Utilisez uniquement des lames de rechange identiques.

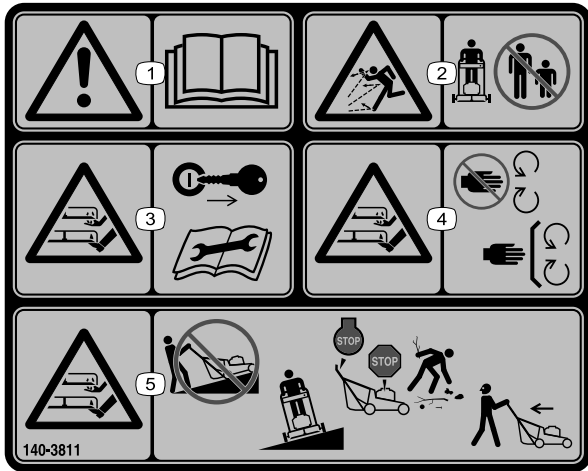
10. Vérifiez l'état des pièces de la machine – si vous constatez que des protections ou d'autres pièces sont endommagées, déterminez si la machine peut fonctionner correctement. Vérifiez qu'aucune pièce mobile n'est mal alignée ou grippée, et qu'aucune pièce n'est cassée, mal fixée ou présente tout autre défaut susceptible d'en affecter le fonctionnement. Sauf indication contraire dans les instructions, faites réparer ou remplacer les protections ou les pièces endommagées par un dépositaire-réparateur agréé.
11. Lorsque la batterie ne sert pas, rangez-la à l'écart d'objets métalliques tels que trombones, pièces de monnaie, clés, clous et vis qui pourraient relier les bornes entre elles. Un court-circuit aux bornes de la batterie peut causer des brûlures ou un incendie.
12. Vérifiez fréquemment le serrage des boulons de montage de la lame et du moteur.
13. Lorsque vous n'utilisez pas la machine, remisez-la dans un local sec et sécurisé et hors de la portée des enfants.
14. N'exposez pas la batterie ou la machine au feu ou à une température excessive. L'exposition au feu ou à une température supérieure à 130 °C (265 °F) peut provoquer une explosion.
15. PRUDENCE – la batterie peut présenter un risque d'incendie, d'explosion ou de brûlure chimique en cas de mauvais traitement.
 - Ne démontez pas la batterie.
 - Remplacez toujours la batterie par une batterie Toro d'origine; l'utilisation de tout autre type de batterie peut entraîner un incendie ou un risque de de blessure.
 - Conservez les batteries hors de la portée des enfants et dans leur emballage d'origine jusqu'au dernier moment avant de les utiliser.

CONSERVEZ CES INSTRUCTIONS

Autocollants de sécurité et d'instruction



Des autocollants de sécurité et des instructions bien visibles par l'opérateur sont placés près de tous les endroits potentiellement dangereux. Remplacez tout autocollant endommagé ou manquant.



140-3811

decal140-3811

1. Attention – lisez le *Manuel de l'utilisateur*.
2. Risque de projection d'objets – n'autorisez personne à s'approcher de la machine.
3. Risque de coupure/mutilation par la lame de la tondeuse – enlevez la clé de contact et lisez le *Manuel de l'utilisateur* avant de procéder à tout entretien.
4. Risque de coupure/mutilation par la lame de la tondeuse – ne vous approchez pas des pièces mobiles et gardez toutes les protections en place.
5. Risque de coupure/mutilation par la lame de la tondeuse – ne tondez pas dans le sens de la pente, mais toujours transversalement; coupez le moteur, attendez l'arrêt complet des pièces mobiles et ramassez les débris avant de tondre; regardez derrière vous quand vous tondez en marche arrière.

Modèle 88650



145-1479

decal145-1479

1. Lisez le *Manuel de l'utilisateur*.
2. Programme de recyclage des batteries Call2Recycle®
3. Tenir à l'écart du feu ou des flammes.
4. Ne pas exposer à la pluie.

Modèle 88610



144-3094

decal144-3094

1. La batterie est en charge.
2. La batterie est complètement chargée.
3. La température de la batterie est supérieure ou inférieure à la plage de température appropriée.
4. Anomalie de charge de la batterie

CAUTION TO REDUCE THE RISK OF INJURY, USER MUST READ AND UNDERSTAND INSTRUCTION MANUAL. Charge only TORO 60V Li-Ion rechargeable battery. Other types of batteries may burst causing personal injury and damage. DANGER: risk of electric shock. Do not expose to liquid, vapor, or rain. Do not interconnect output terminal. For indoor use only.

ATTENTION POUR RÉDUIRE LES RISQUES DE BLESSURE, L'UTILISATEUR DOIT LIRE ET COMPRENDRE LE MODE D'EMPLOI. Utiliser uniquement pour les batteries rechargeables type TORO 60V Li-Ion. D'autres types de batteries pourraient exploser et causer des blessures ou des dommages. DANGER : risque de décharge électrique. Ne pas exposer à des liquides, à la vapeur ou à la pluie. Ne pas interconnecter la borne de sortie. Pour usage intérieur uniquement.

PRECAUCIÓN PARA REDUCIR EL RIESGO DE LESIONES, EL USUARIO DEBE LEER Y COMPRENDER EL MANUAL DE INSTRUCCIONES. Cargue únicamente baterías recargables de ion-litio TORO de 60 V. Otros tipos de batería pueden explotar y causar lesiones personales y daños materiales. PELIGRO: Riesgo de descarga eléctrica. No exponer a líquidos, vapor o lluvia. No interconectar un terminal de salida. Para uso en espacios interiores únicamente.

Conforms to / Conforme à la norme / Cumple la norma UL STD 1012
Autre que Chargeur de batterie Classe 2
Cargador de baterías distinto al de Clase 2

800797
SGS ENERGY EFFICIENCY
SGS ENERGY EFFICIENCY
CAN ICES-3(B)/NMB-3(B)
FC BC

144-3096

decal144-3096

WARNING: Cancer and Reproductive Harm - www.P65Warnings.ca.gov.
For more information, please visit www.tccoCAProp65.com

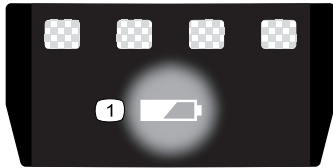
decal133-8061

133-8061



decal94-8072

94-8072



decal137-9461

137-9461

WARNING
TO REDUCE THE RISK OF INJURY, INSPECT CATCHER ASSEMBLY FREQUENTLY AND REPLACE WITH RECOMMENDED REPLACEMENT IF THERE ARE SIGNS OF WEAR OR DETERIORATION.

ADVERTENCIA
PARA REDUCIR EL RIESGO DE LESIONES, INSPECCIONE FRECUENTEMENTE EL ENSAMBLAJE DEL RECEPTOR Y CAMBIELO POR LA PIEZA DE REPUESTO RECOMENDADA SI HAY SEÑALES DE DESGASTE O DETERIORO.

AVERTISSEMENT
POUR RÉDUIRE LES RISQUES DE BLESSURE, INSPECTEZ SOUVENT L'ENSEMBLE SAC COLLECTEUR D'HERBE ET REMPLACEZ AVEC DES PIÈCES RECOMMANDÉES CELLES QUI SEMBLENT USÉES OU DÉTÉRIORÉES.

139-8986

AVERTISSEMENT
DESGASTE O DETERIORO.
REPUESTO RECOMENDADA SI HAY SEÑALES DE
RECEPTOR Y CAMBIELO POR LA PIEZA DE
INSPECCIONE FRECUENTEMENTE EL ENSAMBLAJE
PARA REDUCIR EL RIESGO DE LESIONES.

ADVERTENCIA
IF THERE ARE SIGNS OF WEAR OR DETERIORATION,
REPLACE WITH RECOMMENDED REPLACEMENT.
CATCHER ASSEMBLY FREQUENTLY AND
REPLACE WITH RECOMMENDED REPLACEMENT.

WARNING
TO REDUCE THE RISK OF INJURY, INSPECT
CATCHER ASSEMBLY FREQUENTLY AND
REPLACE WITH RECOMMENDED REPLACEMENT
IF THERE ARE SIGNS OF WEAR OR DETERIORATION.

decal139-8986

139-8986

1. État de charge de la batterie

LITHIUM-ION BATTERY CHARGER
CHARGEUR DE BATTERIE LITHIUM-ION
CARGADOR DE BATERIA DE ION-LITIO

Input: 120V AC ~60Hz 2A / Output: 60V DC 1A MAX

Backfeed Protection / Protection contre le retour d'énergie
Protección frente a retroalimentación

THE TORO COMPANY
8111 Lyndale Avenue South
Bloomington, MN 55420-1196 USA

Country of Origin: China Model: 88610
PATENT: www.tccopats.com

Serial Number: 318000000 Date Code: MM YY

318000000 MM YY

decal144-3098

144-3098



decal144-3175

144-3175

1. Lisez le *Manuel de l'utilisateur*.
 2. Pour démarrer le moteur, serrez la barre contre le guidon et appuyez sur le bouton d'allumage.
 3. Relâchez la barre pour arrêter la machine.
-

Mise en service

Important: La batterie n'est pas complètement chargée à l'achat. Avant la toute première utilisation de la machine, voir [Charge de la batterie \(page 16\)](#).

1

Montage du bac à herbe

Aucune pièce requise

Procédure

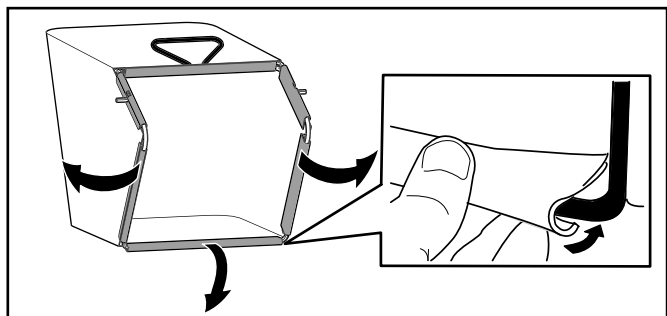


Figure 3

2

Dépliage du guidon

Aucune pièce requise

Procédure

Important: Retirez et mettez au rebut la pellicule de plastique qui protège le moteur ainsi que tout autre emballage ou élément en plastique utilisé sur la machine.

⚠ ATTENTION

Vous risquez d'endommager les câbles et de rendre l'utilisation de la machine dangereuse si vous ne déployez pas le guidon correctement.

- Veillez à ne pas endommager le(s) câble(s) en pliant ou dépliant le guidon.
- Vérifiez que le(s) câble(s) passe(nt) bien à l'extérieur du guidon.
- Si un câble est endommagé, adressez-vous à un dépositaire-réparateur agréé.

Important: Tenez le guidon pendant que vous engagez les verrous pour éviter de vous coincer les mains.

1. Retirez les boutons du guidon (A de [Figure 4](#)).
2. Fixez le guidon sur la machine au moyen des trous situés aux extrémités du guidon (B de [Figure 4](#)).

3. Ramenez la poignée en arrière à la position d'utilisation (C de [Figure 4](#)).
4. Vérifiez que les câbles passent bien à l'extérieur du guidon (D de [Figure 4](#)).
5. Engagez les verrous du guidon jusqu'à ce que la goupille s'enclenche en place et bloque le guidon à la position d'utilisation (E de [Figure 4](#)).

Remarque: Vous pouvez changer la hauteur du guidon en choisissant un trou différent pour le verrou.

6. Serrez les boutons sur les boulons du guidon pour fixer le guidon en place (F de [Figure 4](#)).

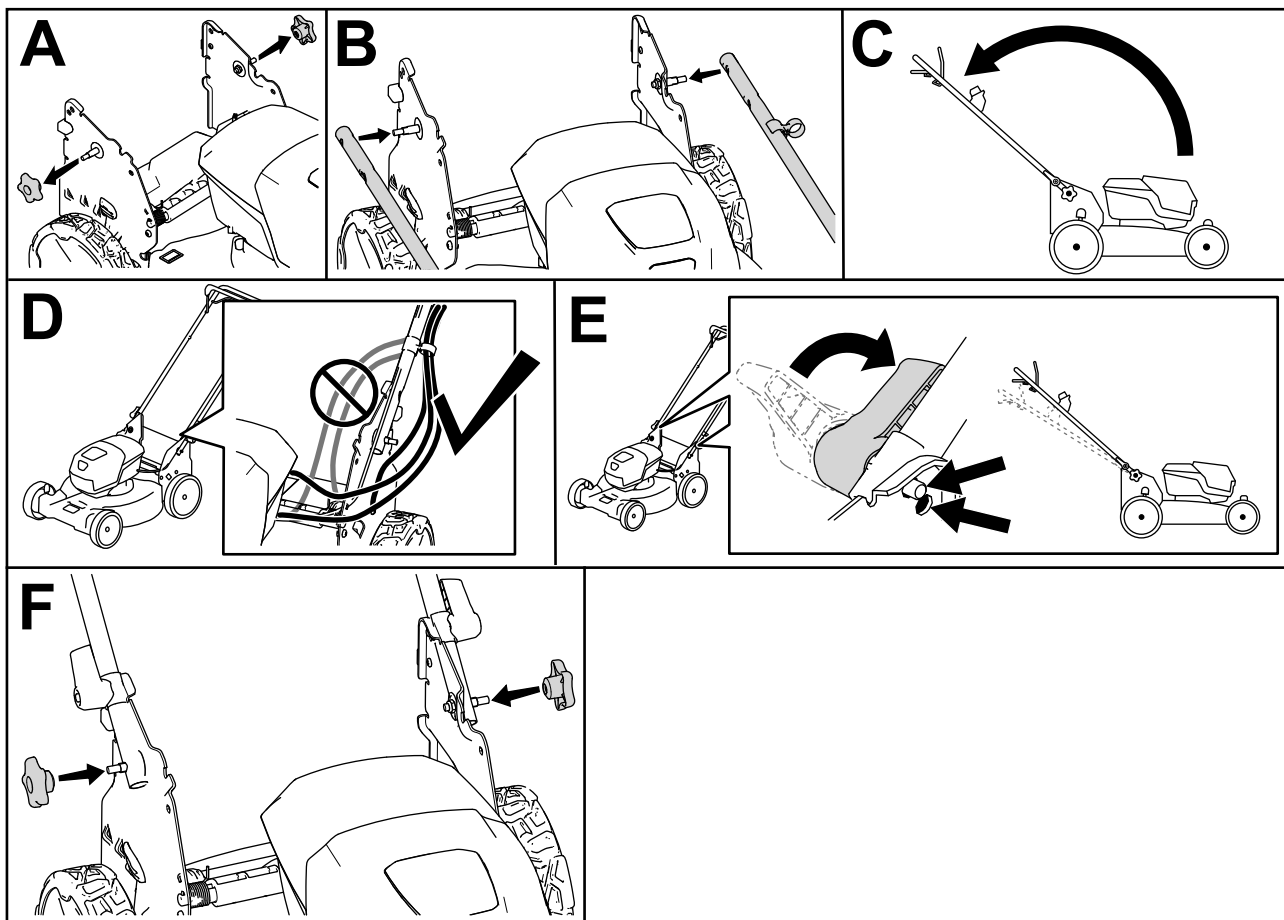


Figure 4

g413061

Vue d'ensemble du produit

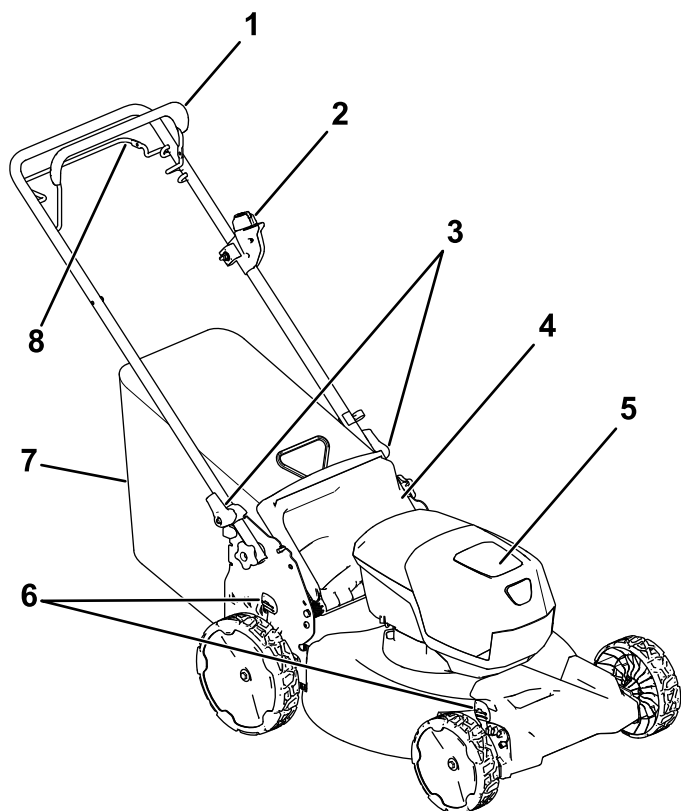


Figure 5

g409529

- | | |
|---|-----------------------------------|
| 1. Barre de commande des lames | 5. Compartiment de la batterie |
| 2. Bouton de démarrage électrique | 6. Levier de hauteur de coupe (2) |
| 3. Dispositif de verrouillage du guidon (2) | 7. Bac à herbe |
| 4. Déflecteur arrière | 8. Barre d'autopropulsion |

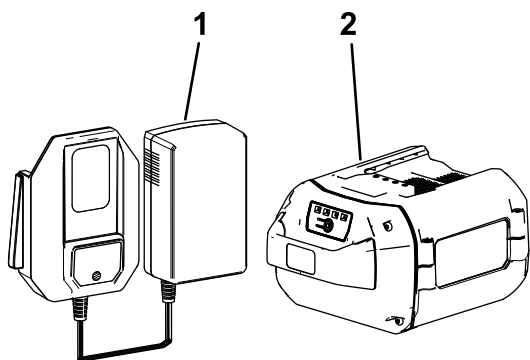


Figure 6

g413066

- | | |
|--|---|
| 1. Chargeur de batterie modèle 88610 (inclus avec le modèle 21326) | 2. Batterie modèle 88650 (incluse avec le modèle 21326) |
|--|---|

Caractéristiques techniques

Batterie

Modèle	88650
Capacité de la batterie	5,0 Ah 270 Wh
Tension batterie selon le fabricant = 60 V max., 54 V nominale. La tension réelle varie en fonction de la charge.	

Chargeur de batterie

Modèle	88610
Type	Adaptateur, chargeur de batterie ion-lithium 60 V MAX
Entrée	120 V CA ~2 A, 60 Hz
Sortie	60 V CC max 1 A

Plages de température adéquates

Charger/ranger la batterie entre	5 °C (41 °F) et 40 °C (104 °F)*
Utiliser la batterie entre	-30 °C (-22 °F) et 49 °C (120 °F)*
Utiliser la machine entre	0 °C (32 °F) et 49 °C (120 °F)*

*Le temps de charge sera plus long en dehors de cette plage de température.

Rangez la machine, la batterie et le chargeur de batterie dans un local fermé, propre et sec.

Outils et accessoires

Une sélection d'outils et accessoires agréés par Toro peut être disponible pour augmenter et améliorer les capacités de la machine. Pour obtenir la liste de tous les accessoires et outils agréés, contactez votre dépositaire-réparateur ou votre distributeur Toro agréé, ou rendez-vous sur www.Toro.com.

Pour garantir un rendement optimal et conserver la certification de sécurité de la machine, utilisez uniquement des pièces de rechange et accessoires Toro d'origine. Les pièces de rechange et accessoires d'autres constructeurs peuvent être dangereux et leur utilisation risque d'annuler la garantie de la machine.

Utilisation

Remarque: Les côtés gauche et droit de la machine sont déterminés d'après la position d'utilisation normale.

Avant l'utilisation

Installation de la batterie

Important: Utilisez la batterie uniquement à des températures comprises dans la plage adéquate; voir [Caractéristiques techniques \(page 11\)](#).

1. Vérifiez que les événements sur la batterie sont exempts de poussière et de débris.
2. Soulevez le couvercle du compartiment de la batterie (A de la [Figure 7](#)).
3. Alignez le creux dans la batterie et la languette sur la machine, et glissez la batterie dans le compartiment jusqu'à ce qu'elle s'enclenche en position (B de la [Figure 7](#)).
4. Refermez le couvercle du compartiment de la batterie (C de la [Figure 7](#)).

Remarque: Si le couvercle du compartiment de la batterie ne se ferme pas complètement, cela signifie que la batterie n'est pas parfaitement installée.

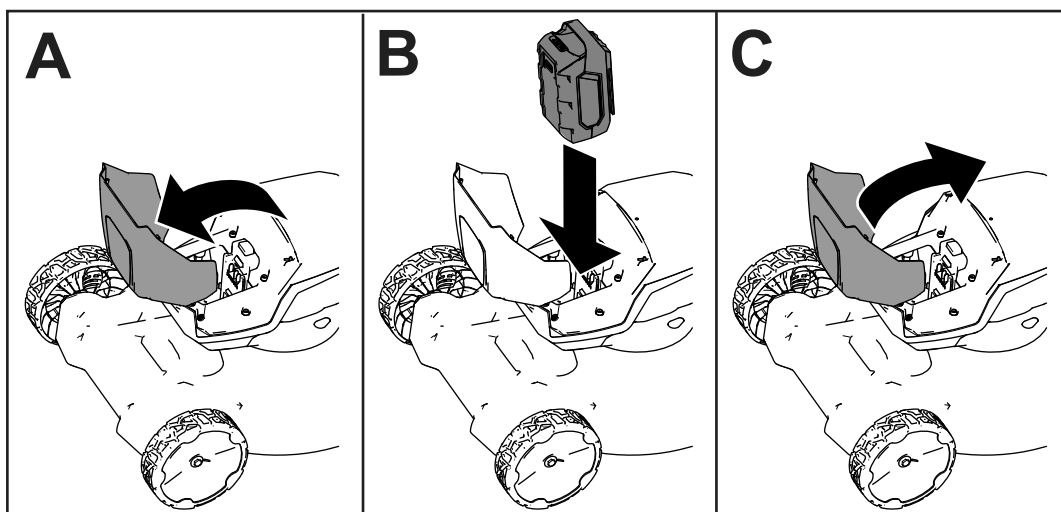


Figure 7

g407696

Réglage de la hauteur de coupe

⚠ DANGER

Lors du réglage de la hauteur de coupe, vous risquez de vous blesser gravement si vos mains touchent une lame en mouvement.

- Coupez le moteur, retirez la batterie et attendez l'arrêt complet de toutes les pièces mobiles avant de régler la hauteur de coupe.
- Ne mettez pas les doigts sous le carter du tablier de coupe quand vous réglez la hauteur de coupe.

Choisissez la hauteur de coupe voulue. Réglez toutes les roues à la même hauteur de coupe (Figure 8).

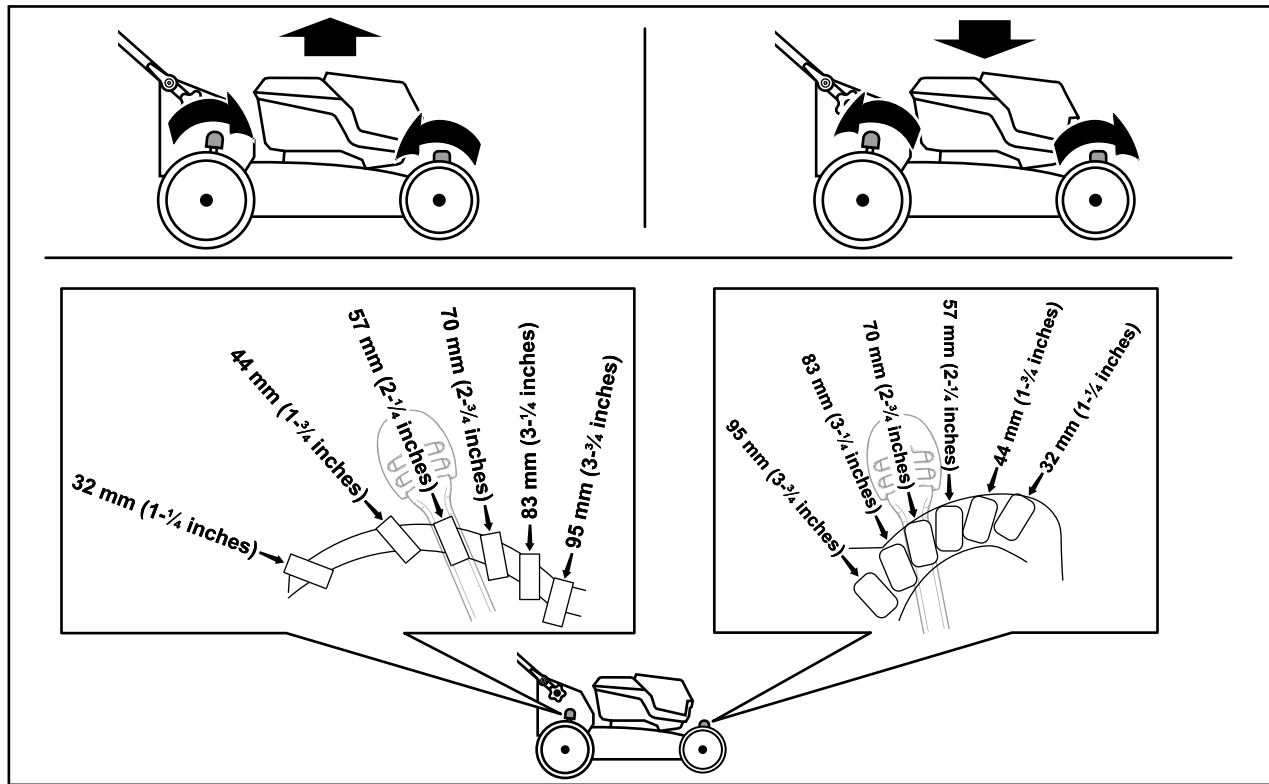


Figure 8

g409499

Pendant l'utilisation

Démarrage de la machine

1. Vérifiez que la batterie est chargée et installée dans la machine; voir [Installation de la batterie \(page 12\)](#).
2. Insérez le bouton de démarrage électrique dans l'interrupteur du démarreur électrique (A de la [Figure 9](#)).
3. Serrez et maintenez la barre de commande de la lame contre le guidon (B de la [Figure 9](#)).
4. Maintenez le bouton de démarrage électrique enfoncé jusqu'à ce que le moteur démarre (C de la [Figure 9](#)).

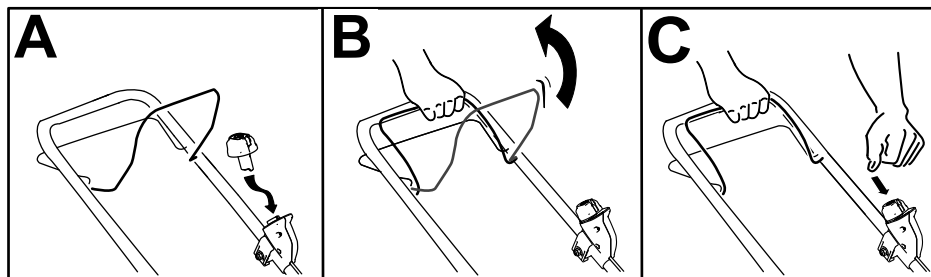


Figure 9

g332149

Utilisation de l'autopropulsion

- Pour engager l'autopropulsion, serrez et maintenez la barre d'autopropulsion contre le guidon ([Figure 10](#)).

Remarque: La vitesse d'autopropulsion maximale est fixe. Pour ralentir, éloignez la barre d'autopropulsion du guidon.

- Pour désengager l'autopropulsion, relâchez la barre d'autopropulsion.

Remarque: Pour ralentir, éloignez la barre d'autopropulsion du guidon.

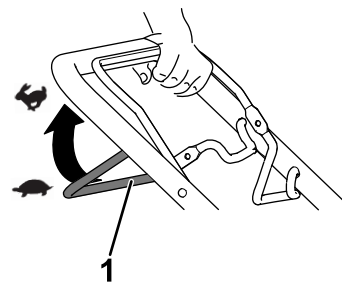


Figure 10

g240765

1. Barre d'autopropulsion

Recyclage de l'herbe coupée

À la livraison, votre machine est prête à recycler l'herbe et les feuilles coupées pour nourrir votre pelouse.

Si le bac à herbe est monté sur la machine, enlevez-le avant de procéder au recyclage de l'herbe; voir [Retrait du bac à herbe \(page 15\)](#).

Ramassage de l'herbe coupée

Utilisez le bac à herbe pour recueillir l'herbe et les feuilles coupées à la surface de la pelouse.

Montage du bac à herbe

1. Soulevez le déflecteur arrière (A de [Figure 11](#)).
2. Insérez les extrémités de la tige du bac à herbe dans les crans des supports du guidon (B de [Figure 11](#)).
3. Faites reposer le déflecteur arrière sur le bac.

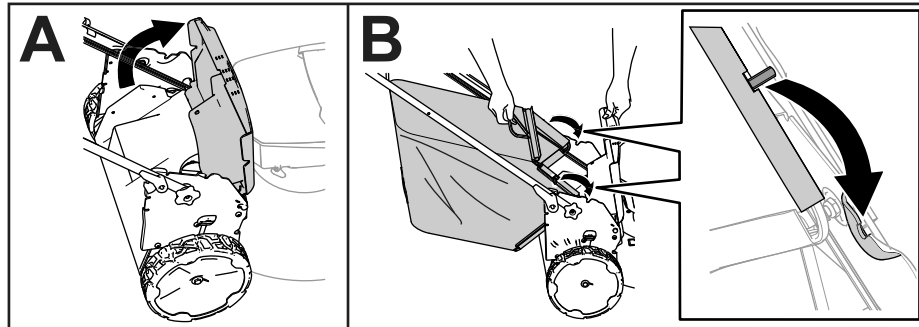


Figure 11

g409510

Retrait du bac à herbe

Pour retirer le bac à herbe, inversez la procédure de montage décrite dans [Montage du bac à herbe](#) (page 15).

Arrêter la machine

1. Relâchez la barre de commande de la lame (A de la [Figure 12](#)).
2. Retirez le bouton de démarrage électrique du démarreur électrique (B de la [Figure 12](#)).
3. Enlevez la batterie; voir [Retrait de la batterie de la machine](#) (page 15).

Remarque: Enlevez la batterie chaque fois que vous n'utilisez pas la machine.

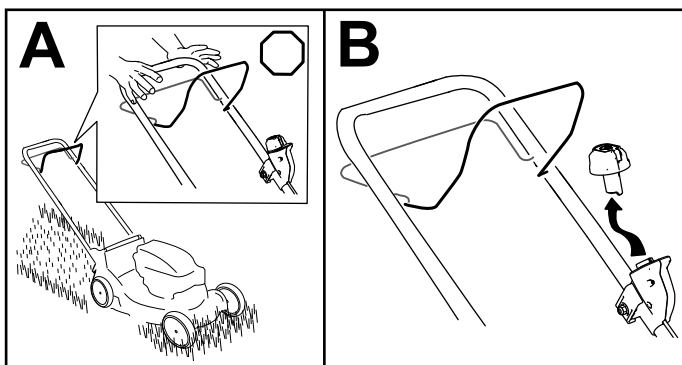


Figure 12

g332151

Retrait de la batterie de la machine

1. Soulevez le couvercle du compartiment de la batterie.
2. Appuyez sur le verrou de la batterie pour la débloquer et l'enlever.
3. Refermez le couvercle du compartiment de la batterie.

Conseils d'utilisation

Conseils de tonte généraux

- Inspectez la zone de travail et débarrassez-la de tout objet qui pourrait être projeté par la machine.
- Évitez de heurter des obstacles avec la lame. Ne passez jamais intentionnellement sur un objet quel qu'il soit.
- Si la machine heurte un obstacle ou se met à vibrer, coupez immédiatement le moteur, attendez l'arrêt complet de toutes les pièces mobiles et vérifiez que la machine n'est pas endommagée.
- Pour obtenir des résultats optimaux, installez une lame Toro au début de la saison de tonte ou quand cela est nécessaire.

La tonte

- Ne tondez l'herbe que sur un tiers de sa hauteur à chaque fois. Pour une meilleure qualité de coupe, une plus grande autonomie et de meilleurs résultats de ramassage, tondez l'herbe à une hauteur de coupe plus élevée.
- N'utilisez pas une hauteur de coupe inférieure à 51 mm (2 po), sauf si l'herbe est clairsemée ou à la fin de l'automne quand la pousse commence à ralentir.
- Si l'herbe fait plus de 15 cm (6 po), effectuez d'abord un premier passage à vitesse réduite à la hauteur de coupe la plus haute. Effectuez ensuite un deuxième passage à une hauteur de coupe inférieure pour obtenir une coupe plus esthétique. L'herbe trop haute risque d'obstruer la machine et de faire caler le moteur.
- L'herbe et les feuilles humides ont tendance à s'agglomérer sur la pelouse et peuvent obstruer la machine et faire caler le moteur. Évitez de tondre quand l'herbe est humide.
- Soyez conscient des risques d'incendie par temps très sec, respectez tous les avertissements locaux relatifs aux incendies, et ne laissez pas l'herbe et les feuilles sèches s'accumuler sur la machine.
- Alternez la direction de la tonte. Cela permet de disperser les déchets plus uniformément et d'obtenir une fertilisation plus homogène.
- Si l'aspect de la pelouse tondu n'est pas satisfaisant, essayez une ou plusieurs des solutions suivantes :
 - Remplacez la lame ou faites-la aiguiser.
 - Tondez en avançant plus lentement.
 - Augmentez la hauteur de coupe.
 - Tondez plus souvent.
 - Empiétez sur les passages précédents pour tondre une largeur de bande réduite.

Hachage de feuilles

- Après la tonte, 50 % de la pelouse doit être visible sous la couche de feuilles hachées. À cet effet, vous devrez peut-être repasser plusieurs fois sur les feuilles.
- Si la couche de feuilles sur la pelouse fait plus de 13 cm (5 po) d'épaisseur, utilisez une hauteur de coupe plus élevée, puis faites un second passage à la hauteur de coupe désirée.
- Ralentissez la vitesse de déplacement si les feuilles ne sont pas hachées assez menues.

Après l'utilisation

Charge de la batterie

Important: La batterie n'est pas complètement chargée à l'achat. Avant d'utiliser l'outil pour la première fois, placez la batterie dans le chargeur et chargez-la jusqu'à ce que les diodes indiquent que la batterie est complètement chargée. Lisez toutes les consignes de sécurité.

Important: Chargez la batterie uniquement à des températures comprises dans la plage adéquate; voir [Caractéristiques techniques \(page 11\)](#).

Remarque: À tout moment, appuyez sur le bouton indicateur de charge de la batterie pour afficher la charge actuelle (diodes).

1. Vérifiez que les événements de la batterie et du chargeur sont exempts de poussière et de débris.

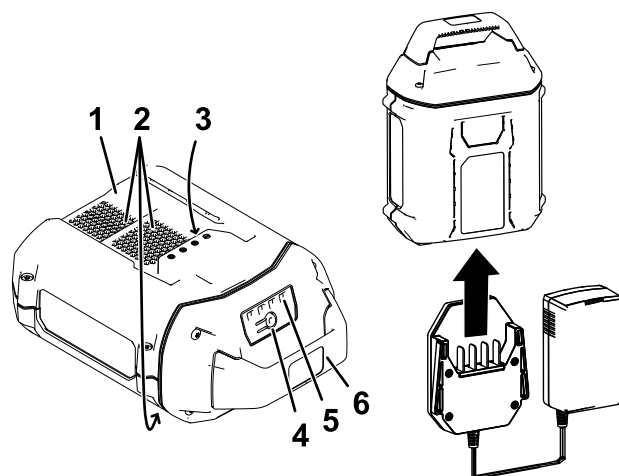


Figure 13

1. Creux de la batterie
 2. Événements de la batterie
 3. Bornes de la batterie
 4. Bouton indicateur de charge
 5. Diodes (charge actuelle)
 6. Poignée
2. Placez le creux de la batterie (Figure 13) en face de la languette du chargeur.
 3. Insérez le chargeur dans la batterie jusqu'à ce qu'il soit complètement enclenché (Figure 13).
 4. Pour retirer la batterie, tirez le chargeur hors de la batterie.
 5. Reportez-vous au tableau ci-dessous pour interpréter les indications de la diode sur le chargeur de batterie.

Diode	Indication
Éteinte	Pas de batterie présente
Clignote-ment vert	Batterie en charge

Verte	Batterie chargée
Rouge	La température du chargeur et/ou de la batterie est supérieure ou inférieure à la plage appropriée.
Clignotement rouge	Anomalie de charge de la batterie*

*Voir [Dépistage des défauts \(page 22\)](#) pour tout renseignement complémentaire.

Important: Vous pouvez laisser la batterie dans le chargeur pendant une courte période entre deux utilisations.

Si la batterie ne doit pas servir pendant une période prolongée, retirez-la du chargeur; voir [Remisage \(page 21\)](#).

Nettoyage de la machine

Périodicité des entretiens: Après chaque utilisation

Nettoyage du dessous de la machine

Périodicité des entretiens: Après chaque utilisation

Pour obtenir des résultats optimaux, nettoyez rapidement le dessous de la machine après la tonte.

1. Coupez le moteur de la machine, puis retirez la batterie et la clé de sécurité
2. Abaissez la machine à la hauteur de coupe la plus basse.
3. Placez la machine à la verticale, en position de rangement; voir [Remisage de la machine en position verticale \(page 18\)](#).
4. Avec une brosse ou un balai, enlevez les débris agglomérés sur la face inférieure de la machine.

Important: Ne nettoyez pas la machine à l'eau au risque d'endommager les composants électriques.

5. Nettoyez le bac à herbe.

Pliage du guidon

⚠ ATTENTION

Vous risquez d'endommager les câbles et de rendre l'utilisation de la machine dangereuse si vous ne dépliez pas le guidon correctement.

- Veillez à ne pas endommager le(s) câble(s) en pliant ou dépliant le guidon.
- Vérifiez que le(s) câble(s) passe(nt) bien à l'extérieur du guidon.
- Si un câble est endommagé, adressez-vous à un dépositaire-réparateur agréé.

1. Retirez le bouton du démarreur électrique ([Figure 14](#)).

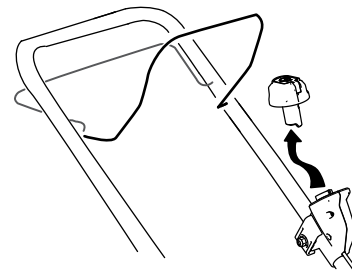


Figure 14

g332163

2. Retirez la batterie de la machine.
3. Tenez le guidon pendant que vous désengagez les verrous pour éviter de vous coincer les mains.
4. Déverrouillez le guidon jusqu'à ce que la moitié supérieure bouge librement (A de la [Figure 15](#)).

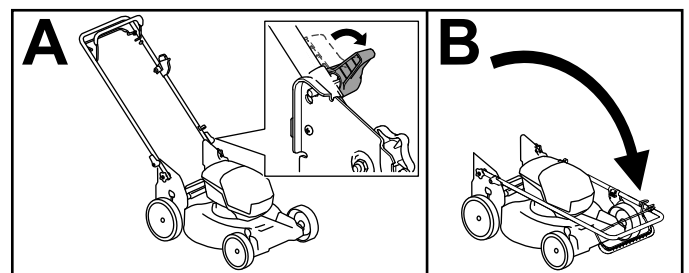


Figure 15

g413060

5. Rabattez le guidon complètement en avant (B de [Figure 15](#)).

Important: Faites passer les câbles à l'extérieur des dispositifs de verrouillage quand vous pliez le guidon.

6. Pour déplier le guidon, répétez l'opération A de la [Figure 15](#) et dépliez le guidon à la position d'utilisation.

Remisage de la machine en position verticale

Vous pouvez ranger votre machine en position verticale pour minimiser l'encombrement.

⚠ DANGER

La position verticale expose le dessous de la machine.

- Retirez la batterie et le bouton de démarrage électrique avant de placer la machine en position verticale.
- Ne transportez pas la machine en position verticale.
- Ne tentez pas de démarrer la machine en position verticale.

1. Retirez le bouton de démarrage électrique et la batterie de la machine.
2. Vérifiez que la hauteur de coupe de la machine est réglée à 44 mm (1¾ po) ou plus; si ce n'est pas le cas, augmentez-la; voir [Réglage de la hauteur de coupe \(page 13\)](#).
3. Déverrouillez le guidon et rabattez-le complètement en avant; voir [Pliage du guidon \(page 17\)](#).

Important: Faites passer les câbles à l'extérieur des dispositifs de verrouillage quand vous pliez le guidon.

4. Verrouillez le guidon.
5. Levez l'avant de la machine par le guidon et amenez-la dans un lieu de remisage ([Figure 16](#)).

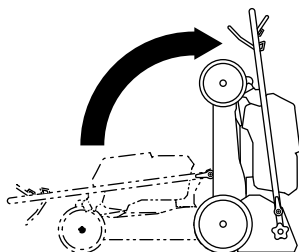


Figure 16

g409126

Entretien

Enlevez le bouton de démarrage électrique et la batterie de la machine avant d'en faire l'entretien ou de la nettoyer.

Coupez toujours le moteur, attendez l'arrêt complet de toutes les pièces en mouvement et faites refroidir la machine avant de la régler, de la réparer, de la nettoyer ou de la remiser.

Utilisez uniquement les pièces et accessoires de rechange recommandés par le constructeur.

Inspectez et faites l'entretien de la machine régulièrement. Ne confiez la réparation de la machine qu'à un dépositaire-réparateur agréé.

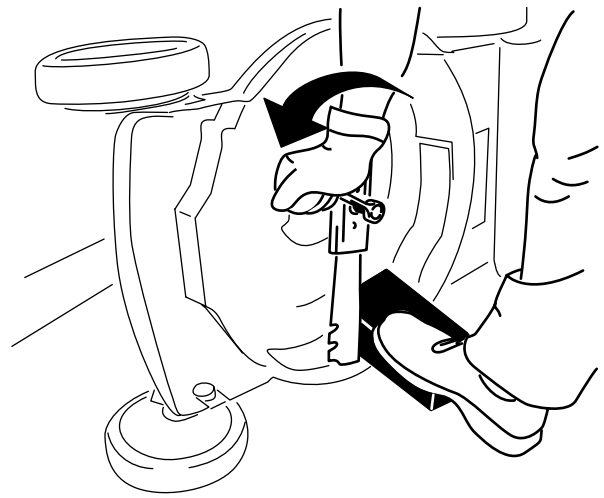


Figure 17

g231389

Graissage de la machine

La machine ne nécessite aucune lubrification, car tous les roulements sont lubrifiés à vie en usine.

Remplacement de la lame

Périodicité des entretiens: Une fois par an

Important: Vous aurez besoin d'une clé dynamométrique pour monter la lame correctement. Si vous n'en possédez pas ou si vous ne vous sentez pas capable d'effectuer cette procédure, adressez-vous à un dépositaire-réparateur agréé.

Si la lame est endommagée ou fêlée, remplacez-la immédiatement. Si la lame est émoussée ou ébréchée, faites-la aiguiser et équilibrer ou remplacez-la.

⚠ ATTENTION

Quand vous faites l'entretien de la lame, celle-ci peut encore bouger même si l'alimentation électrique est coupée. La lame est tranchante et vous pouvez vous blesser gravement à son contact.

- N'approchez jamais les mains ou les pieds d'une lame en mouvement.
- Portez des gants pour effectuer l'entretien de la lame.

1. Retirez la batterie de la machine.
2. Immobilisez la lame avec un morceau de bois (Figure 17).
3. Retirez le boulon de lame et la lame; conservez le boulon de lame (Figure 17).

4. Montez la lame et le boulon de lame de rechange (Figure 18).

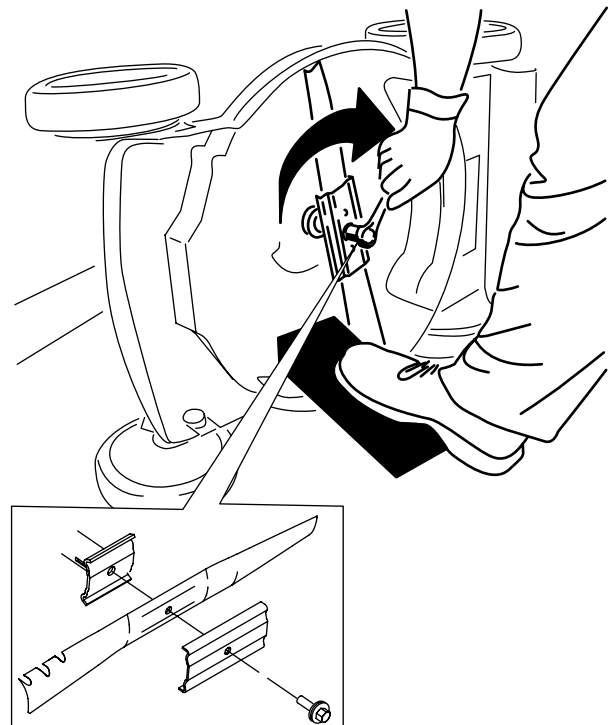


Figure 18

g231390

Important: Dirigez les ailettes de la lame vers le haut, vers le carter de la machine.

5. À l'aide d'une clé dynamométrique, serrez le boulon de la lame à 82 N·m (60 pi-lb).

Réglage de l'autopropulsion

Lorsque vous installez un nouveau câble de commande d'autopropulsion ou que l'autopropulsion est dérégulée, vous devez régler le câble de commande d'autopropulsion.

1. Desserrez l'écrou du support de câble (Figure 19).

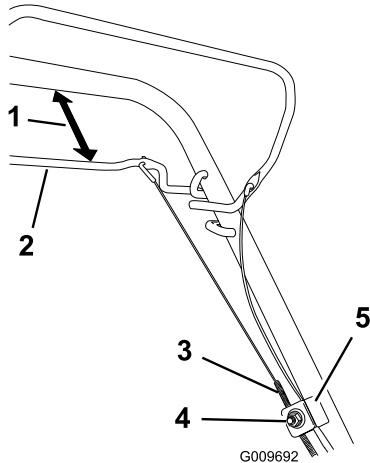


Figure 19

g009692

- | | |
|---------------------------|--------------------------------|
| 1. 25 à 38 mm (1 à 1½ po) | 4. Écrou de support de câble |
| 2. Barre d'autopropulsion | 5. Support de guidage du câble |
| 3. Gaine du câble | |

2. Maintenez la barre de commande d'autopropulsion à une distance de 25 à 38 mm (1 à 1½ po) du guidon (Figure 19).
3. Tirez la gaine du câble vers le bas (vers la machine) jusqu'à ce qu'il n'y ait plus de mou dans le câble (Figure 19).
4. Serrez l'écrou du support de guidage du câble.
5. Relâchez la barre de commande d'autopropulsion et vérifiez que le câble est lâche.

Remarque: Le câble doit être détendu quand la barre de commande d'autopropulsion est relâchée, sinon la machine peut se déplacer quand la barre est désengagée.

Préparation de la batterie pour le recyclage

Important: Après avoir retiré la batterie, recouvrez les bornes de ruban adhésif épais. N'essayez pas de détruire ou de démonter la batterie ni de déposer aucun de ses composants.



Les batteries ion-lithium avec le label Call2Recycle peuvent être recyclées dans n'importe quel centre de recyclage participant au programme Call2Recycle (États-Unis et Canada seulement). Pour trouver le revendeur ou le centre participant le plus proche, appelez le 1-800-822-8837 ou rendez-vous sur www.call2recycle.org. Si vous ne trouvez pas de revendeur ou de centre à proximité, ou si votre batterie rechargeable ne porte pas le label Call2Recycle, contactez votre municipalité pour vous renseigner sur le recyclage responsable de la batterie. Hors des États-Unis et du Canada, veuillez contacter votre dépositaire Toro agréé.

Remisage

Important: Remisez la machine, la batterie et le chargeur uniquement à des températures comprises dans la plage adéquate; voir [Caractéristiques techniques \(page 11\)](#).

Important: Si vous remisez la batterie à la fin de la saison, chargez-la jusqu'à ce que 2 ou 3 de ses diodes deviennent vertes. Ne remisez pas une batterie complètement chargée ou complètement déchargée. Avant de remettre la machine en service, chargez la batterie jusqu'à ce que le voyant gauche du chargeur devienne vert, ou que les 4 diodes de la batterie deviennent vertes.

- Débranchez le produit de l'alimentation (autrement dit, retirez la batterie et le bouton de démarrage électrique) et recherchez tout dommage éventuel après utilisation.
- Ne remisez pas la machine ou le chargeur en laissant la batterie dessus.
- Nettoyez les corps étrangers sur la machine.
- Lorsque la machine ne sert pas, rangez-la ainsi que le bouton de démarrage électrique, la batterie et le chargeur de batterie hors de la portée des enfants.
- Gardez la machine, la batterie et le chargeur à l'écart des agents corrosifs, tels que produits chimiques de jardinage et sels de dégivrage.
- Pour réduire les risques de blessures graves, ne rangez pas la batterie à l'extérieur ou dans un véhicule.
- Rangez la machine, la batterie et le chargeur de batterie dans un local fermé, propre et sec.

Dépistage des défauts

Effectuez uniquement les opérations décrites dans ces instructions. Tout autre contrôle, entretien ou réparation doit être réalisé par un centre d'entretien agréé ou un spécialiste qualifié si vous n'arrivez pas à résoudre le problème vous-même.

Problème	Cause possible	Mesure corrective
La machine ne démarre pas.	<ol style="list-style-type: none"> 1. La batterie n'est pas complètement installée dans la machine. 2. La batterie n'est pas chargée. 3. La batterie est endommagée. 4. Un autre problème électrique existe sur la machine. 	<ol style="list-style-type: none"> 1. Enlevez et remettez la batterie en place dans la machine, en prenant soin de l'insérer et l'enclencher complètement. 2. Retirez la batterie de la machine et chargez-la. 3. Remplacez la batterie. 4. Contactez un dépositaire-réparateur agréé.
La machine ne fonctionne pas ou fonctionne par intermittence.	<ol style="list-style-type: none"> 1. Il y a de l'humidité sur les fils de la batterie. 2. La batterie n'est pas complètement installée dans l'outil. 	<ol style="list-style-type: none"> 1. Laissez sécher ou essuyez la batterie. 2. Retirez et remettez la batterie en place dans l'outil, en vérifiant qu'elle est complètement insérée et enclenchée.
La machine n'atteint pas sa pleine puissance.	<ol style="list-style-type: none"> 1. La capacité de charge de la batterie est trop faible. 2. Les événements sont obstrués. 	<ol style="list-style-type: none"> 1. Enlevez la batterie de la machine et chargez-la complètement. 2. Nettoyez les événements.
La batterie se décharge rapidement.	<ol style="list-style-type: none"> 1. La température de la batterie est supérieure ou inférieure à la plage de température appropriée. 2. La machine est excessivement chargée. 	<ol style="list-style-type: none"> 1. Placez la batterie dans un endroit sec, ou la température est comprise entre 5 et 40 °C (41 et 104 °F). 2. Augmentez la hauteur de coupe ou tondez en avançant plus lentement.
Le chargeur de batterie est défectueux.	<ol style="list-style-type: none"> 1. La température du chargeur de batterie est supérieure ou inférieure à la plage de température adéquate. 2. La prise utilisée pour brancher le chargeur n'est pas sous tension. 	<ol style="list-style-type: none"> 1. Débranchez le chargeur de batterie et placez-le dans un endroit sec où la température est comprise entre 5 et 40 °C (41 et 104 °F). 2. Demandez à un électricien qualifié de réparer la prise.
La machine n'avance pas automatiquement.	<ol style="list-style-type: none"> 1. Le câble de commande d'autopropulsion est dérégulé ou endommagé. 	<ol style="list-style-type: none"> 1. Réglez le câble de commande d'autopropulsion. Remplacez le câble au besoin.
La diode du chargeur de batterie est rouge.	<ol style="list-style-type: none"> 1. La température du chargeur de batterie et/ou de la batterie est supérieure ou inférieure à la plage de température adéquate. 	<ol style="list-style-type: none"> 1. Débranchez le chargeur de batterie et placez-le, ainsi que la batterie, dans un endroit sec où la température est comprise entre 5 et 40 °C (41 et 104 °F).
La diode du chargeur de batterie clignote en rouge.	<ol style="list-style-type: none"> 1. Une erreur de communication s'est produite entre la batterie et le chargeur. 2. La batterie est faible. 	<ol style="list-style-type: none"> 1. Retirez la batterie du chargeur, débranchez le chargeur de la prise et patientez 10 secondes. Rebranchez le chargeur sur la prise secteur et insérez la batterie sur le chargeur. Si la diode du chargeur clignote encore en rouge, répétez cette procédure. Si la diode du chargeur de batterie clignote encore en rouge après 2 tentatives, mettez la batterie au rebut correctement dans un centre de recyclage de batteries. 2. Contactez votre dépositaire-réparateur agréé si la batterie est sous garantie, ou mettez la batterie au rebut correctement dans un centre de recyclage de batteries.

Problème	Cause possible	Mesure corrective
La machine émet un bip sonore.	<ol style="list-style-type: none"> 1. La batterie n'est pas chargée. 2. La machine est dans une position d'utilisation dangereuse. 3. La machine est surchargée. 4. Un autre problème électrique existe sur la machine. 	<ol style="list-style-type: none"> 1. Retirez la batterie de la machine et chargez-la. 2. Assurez-vous que l'angle de fonctionnement de la machine n'est pas trop extrême. 3. Augmentez la hauteur de coupe ou tondez en avançant plus lentement. 4. Essayez les autres solutions de dépannage et si l'alarme sonore persiste, contactez un dépositaire-réparateur agréé.
La qualité de coupe se dégrade ou est insatisfaisante.	<ol style="list-style-type: none"> 1. La lame est émoussée. 2. Des débris sont accumulés sur le tablier de coupe. 	<ol style="list-style-type: none"> 1. Faites aiguiser ou remplacer la lame. 2. Nettoyez le dessous de la machine.
Le ramassage se dégrade ou est insatisfaisant.	<ol style="list-style-type: none"> 1. La machine est excessivement chargée. 	<ol style="list-style-type: none"> 1. Augmentez la hauteur de coupe.
La tonte n'est pas uniforme.	<ol style="list-style-type: none"> 1. La lame est émoussée. 2. Le tablier de coupe est endommagé. 	<ol style="list-style-type: none"> 1. Faites aiguiser ou remplacer la lame. 2. Contactez un dépositaire-réparateur agréé.
La machine vibre.	<ol style="list-style-type: none"> 1. La lame est faussée ou endommagée. 	<ol style="list-style-type: none"> 1. Examinez la lame et remplacez-la au besoin.

Proposition 65 de Californie – Information concernant cet avertissement

En quoi consiste cet avertissement?

Certains produits commercialisés présentent une étiquette d'avertissement semblable à ce qui suit :



AVERTISSEMENT : Cancer et troubles de la reproduction –
www.p65Warnings.ca.gov.

Qu'est-ce que la Proposition 65?

La Proposition 65 s'applique à toute société exerçant son activité en Californie, qui vend des produits en Californie ou qui fabrique des produits susceptibles d'être vendus ou importés en Californie. Elle stipule que le Gouverneur de Californie doit tenir et publier une liste des substances chimiques connues comme causant des cancers, malformations congénitales et/ou autres troubles de la reproduction. Cette liste, qui est mise à jour chaque année, comprend des centaines de substances chimiques présentes dans de nombreux objets du quotidien. La Proposition 65 a pour objet d'informer le public quant à l'exposition à ces substances chimiques.

La Proposition 65 n'interdit pas la vente de produits contenant ces substances chimiques, mais impose la présence d'avertissements sur tout produit concerné, sur son emballage ou sur la documentation fournie avec le produit. D'autre part, un avertissement de la Proposition 65 ne signifie pas qu'un produit est en infraction avec les normes ou exigences de sécurité du produit. D'ailleurs, le gouvernement californien a clairement indiqué qu'un avertissement de la Proposition 65 « n'est pas une décision réglementaire quant au caractère « sûr » ou « dangereux » d'un produit ». Bon nombre de ces substances chimiques sont utilisées dans des produits du quotidien depuis des années, sans aucun effet nocif documenté. Pour plus de renseignements, rendez-vous sur <https://oag.ca.gov/prop65/faqs-view-all>.

Un avertissement de la Proposition 65 signifie qu'une société a soit (1) évalué l'exposition et conclu qu'elle dépassait le « niveau ne posant aucun risque significatif »; soit (2) choisi d'émettre un avertissement simplement sur la base de sa compréhension quant à la présence d'une substance chimique de la liste, sans tenter d'en évaluer l'exposition.

Cette loi s'applique-t-elle partout?

Les avertissements de la Proposition 65 sont exigés uniquement en vertu de la loi californienne. Ces avertissements sont présents dans tout l'état de Californie, dans des environnements très variés, notamment mais pas uniquement les restaurants, magasins d'alimentations, hôtels, écoles et hôpitaux, et sur un vaste éventail de produits. En outre, certains détaillants en ligne et par correspondance fournissent des avertissements de la Proposition 65 sur leurs sites internet ou dans leurs catalogues.

Quelles différences entre les avertissements de Californie et les limites fédérales?

Les normes de la Proposition 65 sont souvent plus strictes que les normes fédérales et internationales. Diverses substances exigent un avertissement de la Proposition 65 à des niveaux bien inférieurs aux limites d'intervention fédérales. Par exemple, la norme de la Proposition 65 en matière d'avertissements pour le plomb se situe à 0,5 µg/jour, soit bien moins que les normes fédérales et internationales.

Pourquoi l'avertissement ne figure-t-il pas sur tous les produits semblables?

- Pour les produits commercialisés en Californie, l'étiquetage Proposition 65 est exigé, tandis qu'il ne l'est pas sur des produits similaires commercialisés ailleurs.
- Il se peut qu'une société impliquée dans un procès lié à la Proposition 65 et parvenant à un accord soit obligée d'utiliser les avertissements de la Proposition 65 pour ses produits, tandis que d'autres sociétés fabriquant des produits semblables peuvent ne pas être soumises à cette obligation.
- L'application de la Proposition 65 n'est pas uniforme.
- Certaines sociétés peuvent choisir de ne pas indiquer d'avertissements car elles considèrent qu'elles n'y sont pas obligées au titre de la Proposition 65; l'absence d'avertissements sur un produit ne signifie pas que le produit ne contient pas de substances de la liste à des niveaux semblables.

Pourquoi le fabricant inclut-il cet avertissement?

Le fabricant a choisi de fournir aux consommateurs le plus d'information possible afin qu'ils puissent prendre des décisions éclairées quant aux produits qu'ils achètent et utilisent. Le fabricant fournit des avertissements dans certains cas d'après ses connaissances quant à la présence de l'une ou plusieurs des substances chimiques de la liste, sans en évaluer le niveau d'exposition, car des exigences de limites ne sont pas fournies pour tous les produits chimiques de la liste. Bien que l'exposition associée aux produits du fabricant puisse être négligeable ou parfaitement dans les limites « sans aucun risque significatif », par mesure de précaution, le fabricant a décidé de fournir les avertissements de la Proposition 65. De plus, en l'absence de ces avertissements, le fabricant pourrait faire l'objet de poursuites par l'État de Californie ou par des particuliers cherchant à faire appliquer la Proposition 65, et donc assujettie à d'importantes pénalités.



Count on it.