



Count on it.

Parts Catalog

**Proline Commercial
Walk-Behind Mower with 36in Floating
Cutting Unit**

Model No. 44436—Serial No. 410280000 and Up



Ordering Replacement Parts

To order replacement parts, please supply the part number, the quantity, and the description of each part desired.

Understanding Reference Numbers

Each identified part in an illustration has a reference number. The reference number for a part also appears in the parts list, along with other information about the part.

This catalog uses two special reference number formats, one to indicate parts in a service assembly and another to indicate the quantity of a given part in an illustration.

Service Assembly Reference Numbers

Parts in service assemblies have reference numbers in the form a:b. The a represents the reference number of the entire service assembly and the b represents a sequential number unique to each part within the service assembly.

For example, a wheel assembly might be identified by reference number 6, the tire by 6:1, the valve by 6:2, and the wheel by 6:3. When you order the assembly identified by reference number 6, you receive all parts identified by reference numbers 6:1, 6:2, and 6:3. However, you may also order any part individually. Reference numbers of this type appear in illustration and in parts lists.

Reference Numbers Indicating Quantity

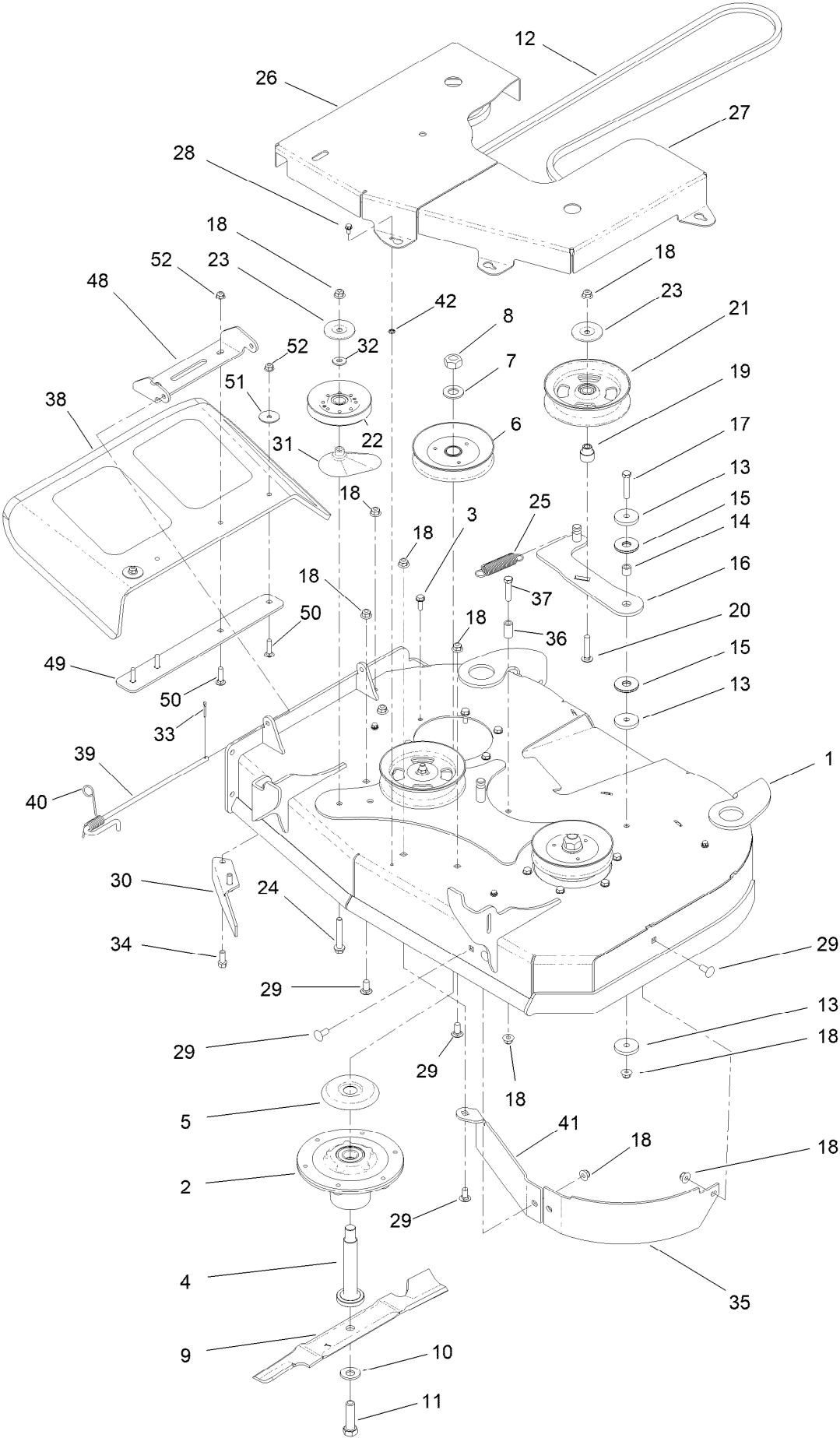
In an illustration, if a reference number indicates more than one part, the reference number has the form nX y. The n represents the quantity of the part, the X is the multiplication symbol, and the y represents the reference number.

For example, in an illustration, the reference number 2X 37 means that two of the parts identified by reference number 37 are indicated.

Contents

36 Inch Deck Assembly	4
Deck Decal Assembly No. 144-3751	6
Spindle Assembly No. 139-2357	8
Transmission Assembly	10
LH Transmission Assembly No. 147-0364	12
RH Transmission Assembly No. 147-0365	14
Idler Arm Pivot Assembly No. 138-1027	16
Operator Control Assembly	18
Reference Bar Assembly No. 139-1475	20
RH Control Handle Assembly No. 139-1532	22
LH Control Handle Assembly No. 139-1487	24
Brake Assembly	26
Brake Assembly No. 138-5844	28
Deck Lift Assembly	30
Deck Cover Assembly	32
Frame Assembly	34
Engine Assembly	36
Fuel System Assembly	38
Electrical Harness and Battery Assembly	40
Attachments and Accessories	42

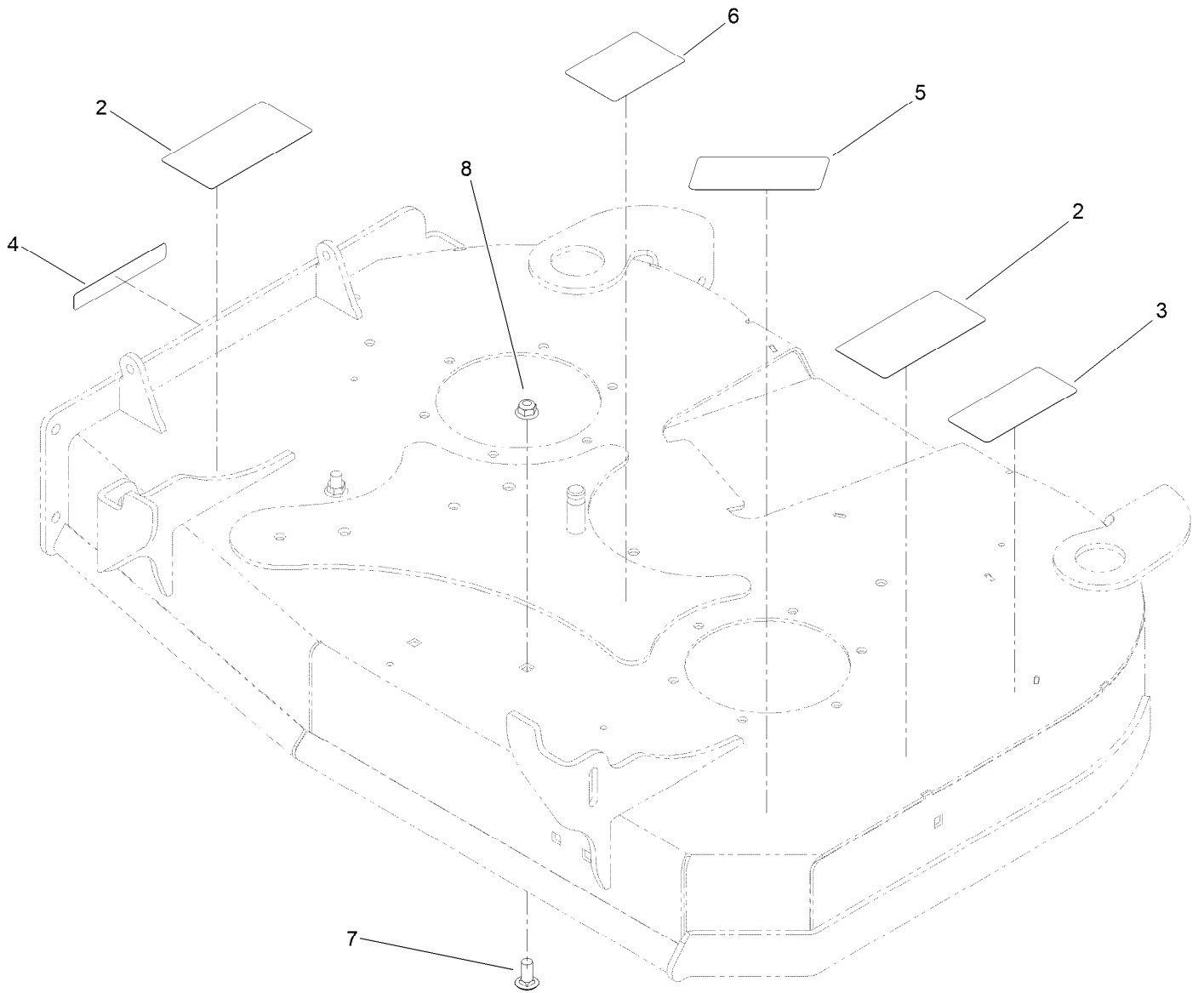
36 Inch Deck Assembly



36 Inch Deck Assembly (continued)

<i>Ref.</i>	<i>Part Number</i>	<i>Qty.</i>	<i>Description</i>	<i>Ref.</i>	<i>Part Number</i>	<i>Qty.</i>	<i>Description</i>
1	144-3751	1	Deck ASM-36"	25	1-323071	1	Spring-Extension
2	139-2357	2	Spindle ASM	26	139-7902-03	1	Cover-Deck
3	32144-41	12	Screw-Taptite	27	139-7905-03	1	Cover-Deck
4	115-2642	2	Shaft-Spindle	28	32144-4	4	Screw-HWH
5	138-7221	2	Shield-Bearing	29	3231-27	6	Screw-CARR
6	138-6824	2	Pulley	30	110-0754-01	1	Baffle-Discharge
7	7-4150	2	Washer	31	109-2872	2	Spacer-Pulley
8	3219-7	2	Nut-Hex	32	80-6990	1	Washer-Hardened
9	138-8887-03	2	Blade - Hi Flow, 18.00 In	33	139-2614	1	Pin-Cotter
10	125-1736	2	Washer-Belleville	34	92-1624	2	Screw-HWH Thd Form
11	51-4060	2	Screw-Blade	35	110-6903-01	1	Baffle-Front, LH
12	138-5884	1	Belt-V	36	138-7230	1	Spacer-Fender
13	110-9981	3	Washer-Plain	37	323-9	1	Screw-HH
14	139-7933	1	Bushing-Idler	38	117-1270	1	Deflector
15	139-7932	2	Washer-Friction, Composite	39	138-7231	1	Pin-Chute
16	139-7915	1	Idler Arm ASM	40	138-7232	1	Spring-Torsion
17	323-10	1	Screw-HH	41	140-4308-03	1	Plate-Deflector
18	104-8301	13	Nut-HF, NI	42	1-803037	4	Nut-Retaining
19	138-7227	1	Bushing-Idler	48	140-4282-03	1	Bracket Upper, Deflector
20	3231-6	1	Screw-CARR	49	115-5048-03	1	Plate-Deflector
21	132-9425	2	Pulley-Idler, Flat	50	3230-3	4	Screw-CARR
22	135-4398	1	Idler - V 4.13 Eod-A	51	3256-68	2	Washer-Flat
23	126-8043	3	Shield-Dust	52	104-8300	4	Nut-HF, NI
24	3234-39	2	Screw-HHF				

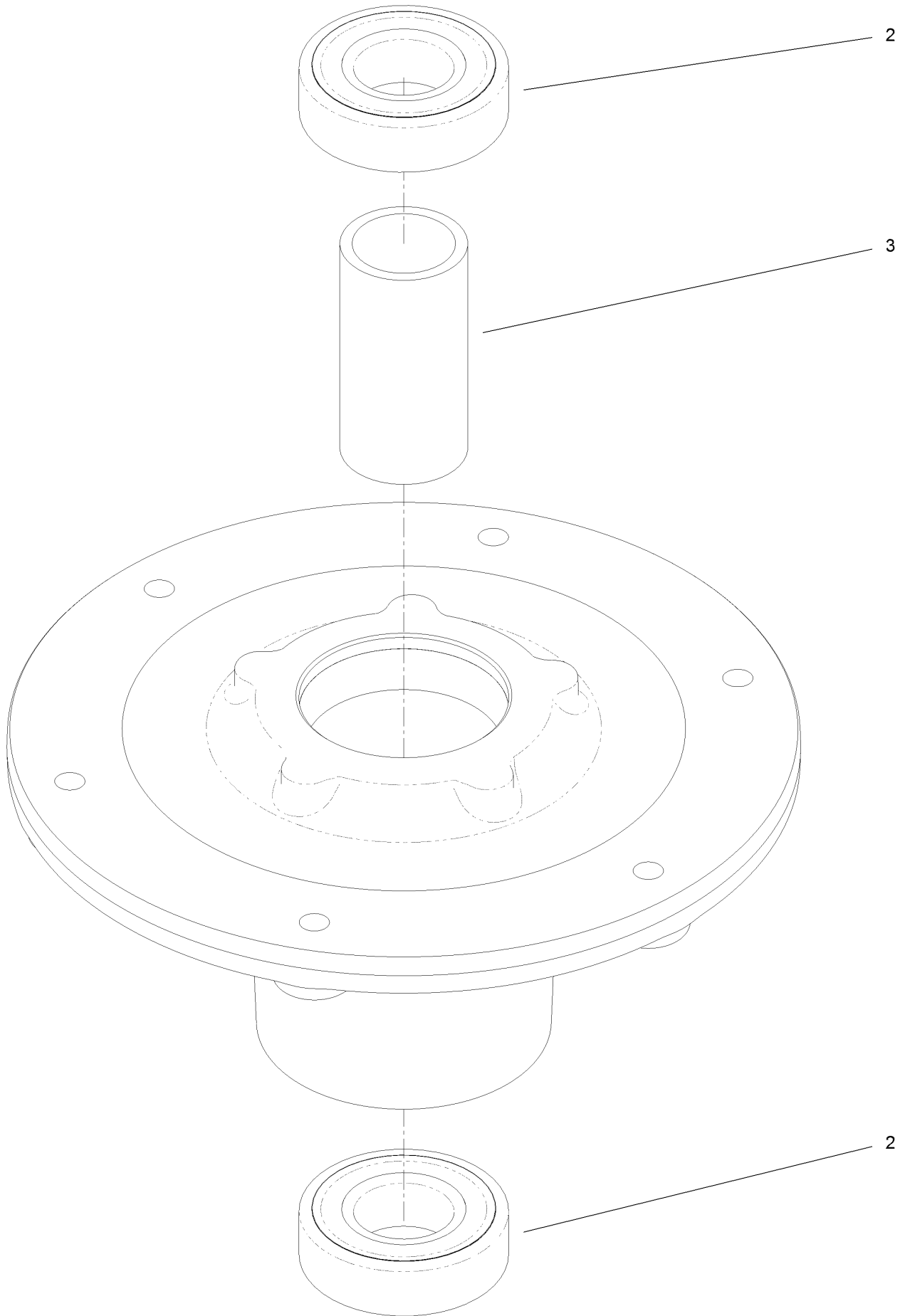
Deck Decal Assembly No. 144-3751



Deck Decal Assembly No. 144-3751 (continued)

<i>Ref.</i>	<i>Part Number</i>	<i>Qty.</i>	<i>Description</i>	<i>Ref.</i>	<i>Part Number</i>	<i>Qty.</i>	<i>Description</i>
2	133-4604	2	Decal-Danger	6	139-7936	1	Decal-Routing, Deck Belt
3	93-7818	1	Decal-Torque, Blade Bolt	7	3231-27	2	Screw-CARR
4	130-0731	1	Decal-Danger	8	104-8301	2	Nut-HF, NI
5	138-8826	1	Decal-Deck, 36 Inch				

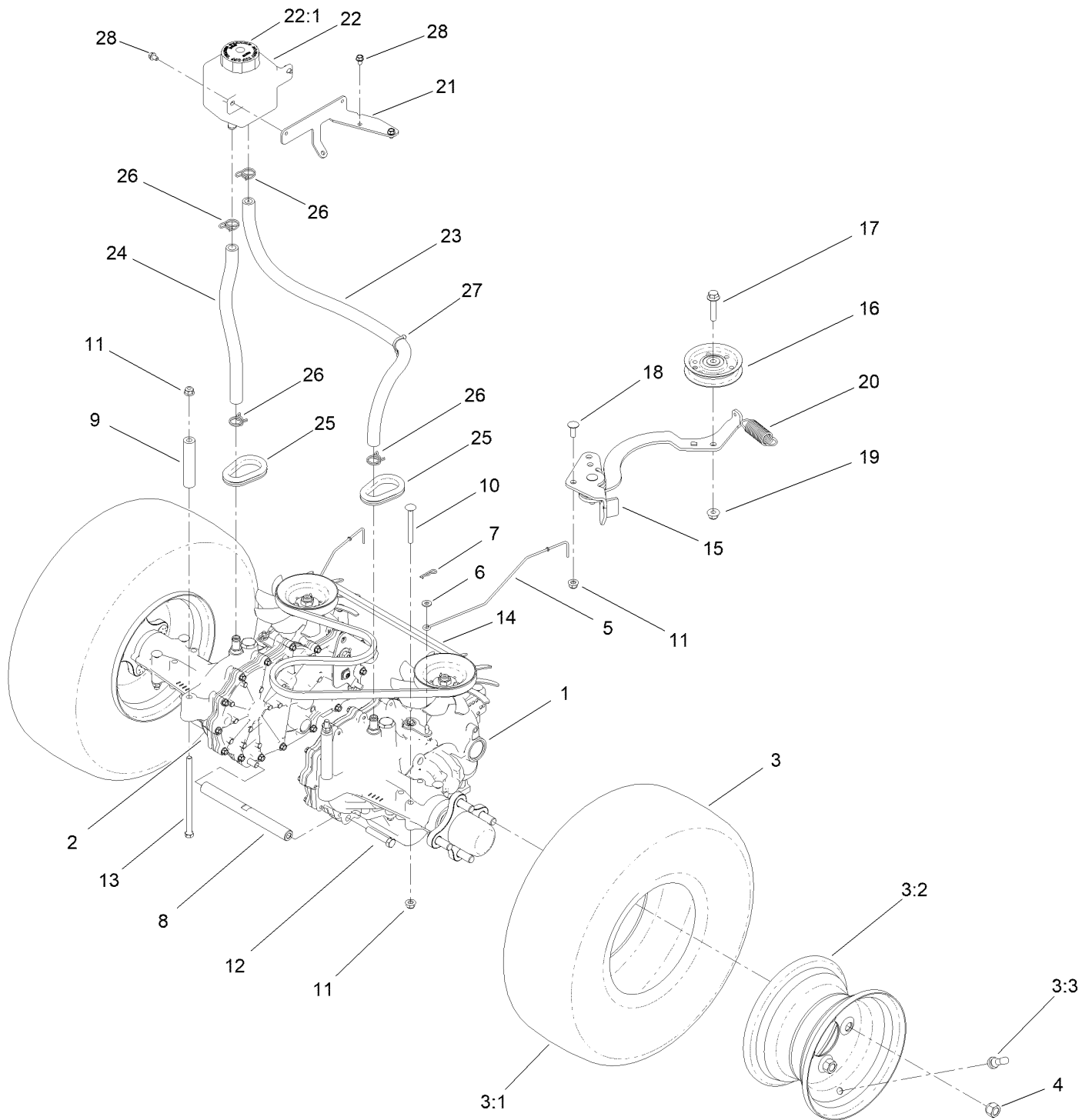
Spindle Assembly No. 139-2357



Spindle Assembly No. 139-2357 (continued)

<i>Ref.</i>	<i>Part Number</i>	<i>Qty.</i>	<i>Description</i>
2	116-0720	2	Bearing-Ball
3	138-7220	1	Spacer-Bearing

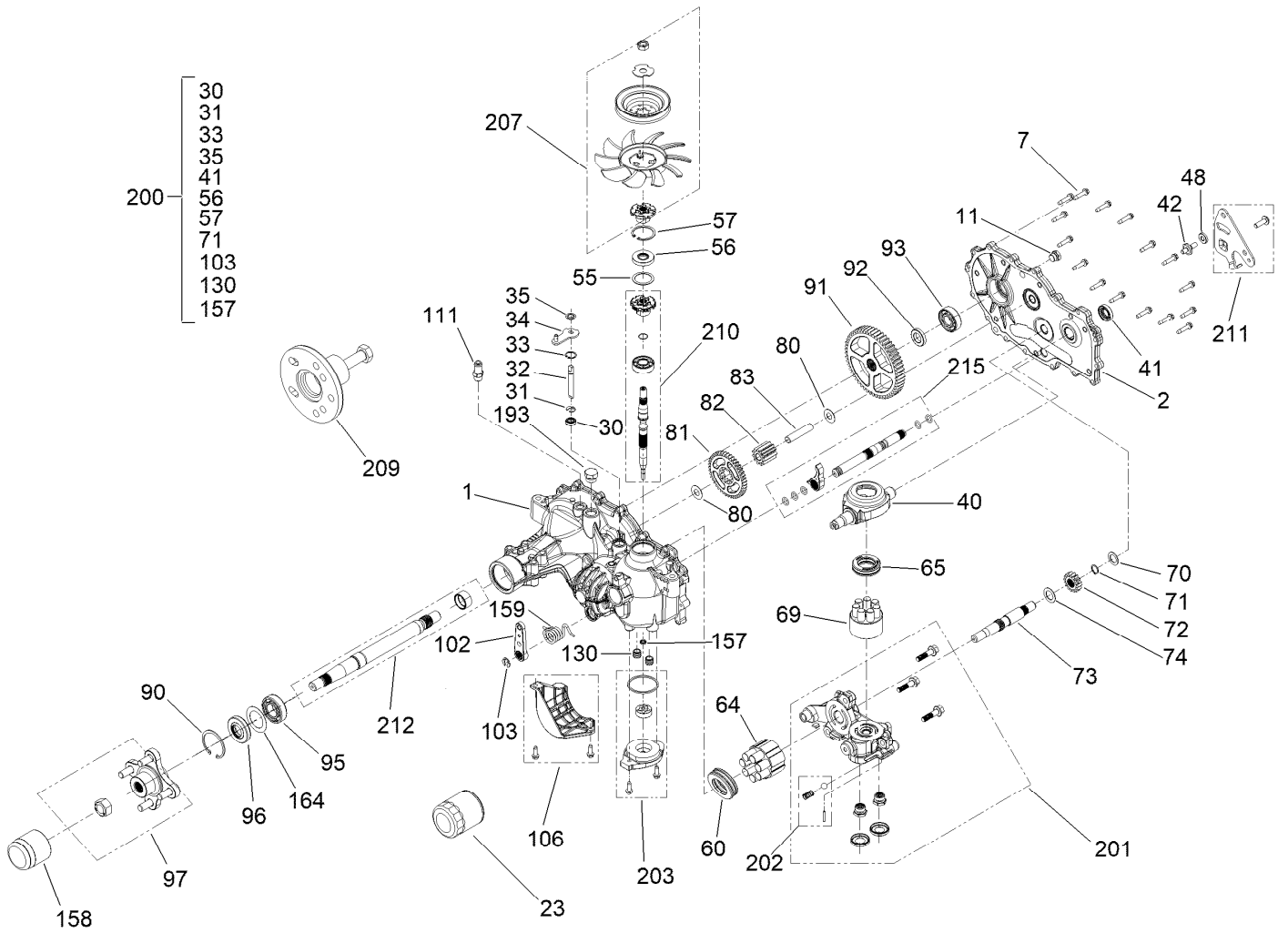
Transmission Assembly



Transmission Assembly (continued)

<i>Ref.</i>	<i>Part Number</i>	<i>Qty.</i>	<i>Description</i>	<i>Ref.</i>	<i>Part Number</i>	<i>Qty.</i>	<i>Description</i>
1	147-0364	1	Transmission, Zt-3100 LH	14	138-6829	1	Belt-V
2	147-0365	1	Transmission, Zt-3100 RH	15	138-1027	1	Idler Arm Pivot ASM
3	138-5878	2	Wheel And Tire ASM	16	92-7101	1	Pulley-Idler, Flat
3:1	119-3421	1	Tire-4 Ply	17	3234-19	1	Screw-HHF
3:2	139-7877	1	Rim-8"	18	3230-10	1	Bolt-CARR
3:3	232-27	1	Stem-Valve	19	104-8301	1	Nut-HF, NI
4	242-50	8	Nut-Lug	20	138-6814	1	Spring-Extension
5	139-5592	2	Rod-Bypass	21	139-7914-03	1	Bracket - Expansion Tank
6	3256-22	2	Washer-Flat	22	109-2250	1	Tank-HYD
7	1-806003	2	Pin-Cotter	22:1	109-3320	1	Cap-Reservoir, HYD
8	138-1028	1	Shaft-Cross, Hydro	23	144-3784	1	Hose-Hydro
9	138-5803	2	Spacer - Transmission	24	121-2952	1	Hose-Overflow
10	3230-9	6	Screw-CARR	25	240-12	2	Grommet-Rubber
11	104-8300	9	Nut-HF, NI	26	117-1193	4	Clamp-Hose
12	94-7972	2	Screw-HH W/Loctite	27	32180-030	1	Clip-Tie
13	1-800286	2	Screw-HH	28	99-8445	4	Screw-HWH

LH Transmission Assembly No. 147-0364



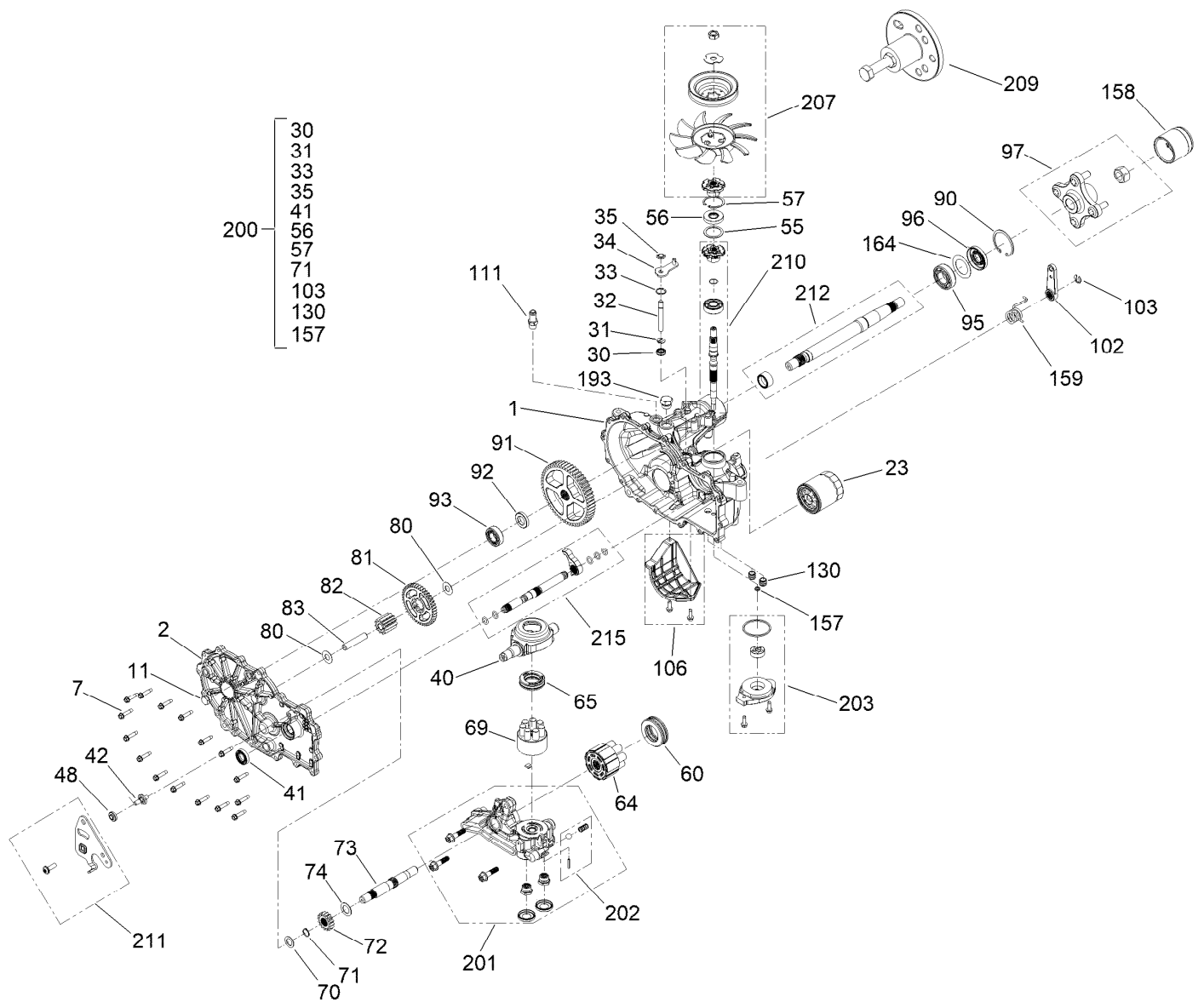
- 30
- 31
- 33
- 35
- 41
- 56
- 57
- 71
- 103
- 130
- 157

LH Transmission Assembly No. 147-0364 (continued)

<i>Ref.</i>	<i>Part Number</i>	<i>Qty.</i>	<i>Description</i>	<i>Ref.</i>	<i>Part Number</i>	<i>Qty.</i>	<i>Description</i>
1	140-9493	1	Kit, Main Housing RH, Charge	82	120-7974	1	Gear-11T
2	140-9494	1	Kit, Side Cover RH, Control	83	104-5329	1	Pin-Jackshaft
7	117-5359	16	Screw-HHF	90	104-2169	1	Ring-Retaining
11	135-1140	1	Plug-Straight	91	114-1694	1	Gear-54T
13	104-2147	1	Sealant ●	92	120-7975	1	Spacer
23	109-3321	1	Element-Oil Filter, HYD	93	135-1361	1	Bearing-Ball
30	139-7497	1	Seal-Lip	95	130-8477	1	Bearing-Ball
31	106-8677	1	Ring-Retaining, External	96	104-2144	1	Seal
32	114-1685	1	Rod-Bypass	97	116-3872	1	Hub-Offset
33	106-8679	1	Ring-Retaining, Internal	102	125-0021	1	Handle-Brake
34	107-2490	1	Arm-Bypass	103	131-0906	1	Ring-Retaining, EXT
35	106-8681	1	Ring-Retaining, External	106	139-7499	1	Filter Guard Kit
40	104-5304	1	Swashplate-Trunnion	111	109-3278	1	Adapter-Straight
41	104-5313	1	Seal-Lip	130	126-3251	2	Tube-Charge
42	104-2116	1	Stud	157	126-1930	1	Gerotor Seal Kit
48	139-4073	1	Spacer	158	116-6214	1	Cap-Axle, Long
55	104-5308	1	Spacer	159	126-2290	1	Spring, Torsion CCW
56	104-5310	1	Seal-Lip	164	121-5745	1	Spacer
57	104-5309	1	Ring-Retaining	193	140-8343	1	Plug
60	112-4154	1	Bearing-Thrust	200	140-8351	1	Seal Kit
64	139-4074	1	Cylinder Block ASM Kit	201	137-2005	1	RH Charge Center Section Kit
65	94-6922	1	Bearing-Thrust	202	114-8464	1	Charge Relief Kit
69	110-8561	1	Pump Block ASM	203	114-8465	1	Charge Kit
70	104-5339	1	Washer-Flat	207	135-7348	1	Fan And Pulley Kit
71	104-5340	1	Ring-Retaining	209	130-8482	1	Hub Puller Kit
72	126-0788	1	Gear-16T	210	139-7502	1	Input Shaft Kit
73	114-1691	1	Shaft-Motor	211	139-4094	1	Kit, Control Arm
74	104-5360	1	Washer	212	114-8470	1	Axle Shaft Kit
80	94-1933	2	Washer	215	140-9497	1	Kit, Outboard, RH Rot A / LH Rot B
81	125-0000	1	Gear-43T				

● Not illustrated

RH Transmission Assembly No. 147-0365



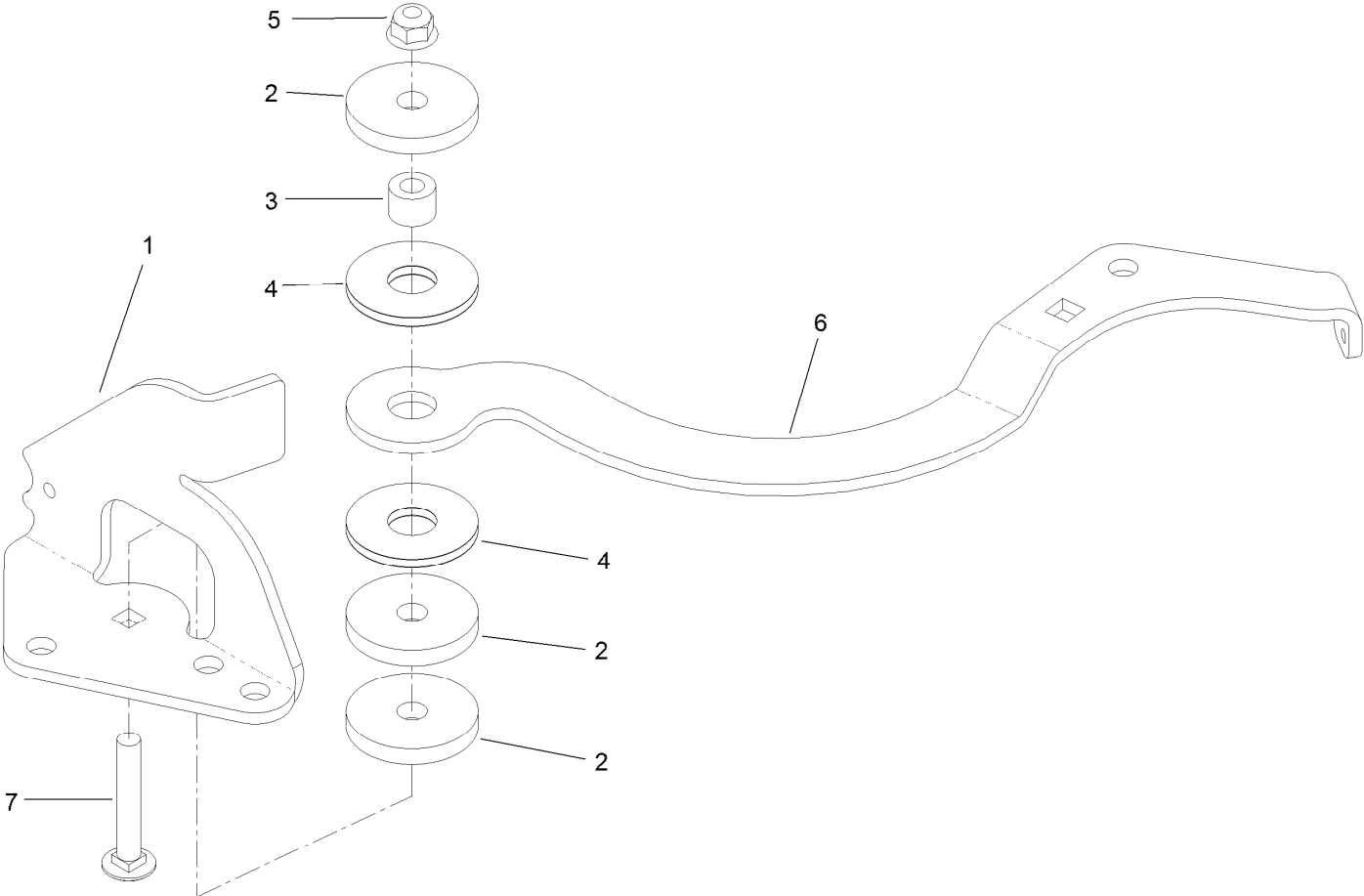
- 30
- 31
- 33
- 35
- 41
- 56
- 57
- 71
- 103
- 130
- 157

RH Transmission Assembly No. 147-0365 (continued)

<i>Ref.</i>	<i>Part Number</i>	<i>Qty.</i>	<i>Description</i>	<i>Ref.</i>	<i>Part Number</i>	<i>Qty.</i>	<i>Description</i>
1	140-9495	1	Kit, Main Housing LH, Charge	82	120-7974	1	Gear-11T
2	140-9496	1	Kit, Side Cover LH, Control	83	104-5329	1	Pin-Jackshaft
7	117-5359	16	Screw-HHF	90	104-2169	1	Ring-Retaining
11	135-1140	1	Plug-Straight	91	114-1694	1	Gear-54T
13	104-2147	1	Sealant ●	92	120-7975	1	Spacer
23	109-3321	1	Element-Oil Filter, HYD	93	135-1361	1	Bearing-Ball
30	139-7497	1	Seal-Lip	95	130-8477	1	Bearing-Ball
31	106-8677	1	Ring-Retaining, External	96	104-2144	1	Seal
32	114-1685	1	Rod-Bypass	97	116-3872	1	Hub-Offset
33	106-8679	1	Ring-Retaining, Internal	102	125-0021	1	Handle-Brake
34	112-9852	1	Arm-Bypass	103	131-0906	1	Ring-Retaining, EXT
35	106-8681	1	Ring-Retaining, External	106	139-7498	1	Filter Guard Kit
40	104-5304	1	Swashplate-Trunnion	111	109-3278	1	Adapter-Straight
41	104-5313	1	Seal-Lip	130	126-3251	2	Tube-Charge
42	104-2116	1	Stud	157	126-1930	1	Gerotor Seal Kit
48	139-4073	1	Spacer	158	116-6214	1	Cap-Axle, Long
55	104-5308	1	Spacer	159	139-4099	1	Spring, Torsion, CW
56	104-5310	1	Seal-Lip	164	121-5745	1	Spacer
57	104-5309	1	Ring-Retaining	193	140-8343	1	Plug
60	112-4154	1	Bearing-Thrust	200	140-8351	1	Seal Kit
64	139-4074	1	Cylinder Block ASM Kit	201	137-2012	1	LH Charge Center Section Kit
65	94-6922	1	Bearing-Thrust	202	114-8464	1	Charge Relief Kit
69	110-8561	1	Pump Block ASM	203	114-8465	1	Charge Kit
70	104-5339	1	Washer-Flat	207	135-7348	1	Fan And Pulley Kit
71	104-5340	1	Ring-Retaining	209	130-8482	1	Hub Puller Kit
72	126-0788	1	Gear-16T	210	139-7502	1	Input Shaft Kit
73	114-1691	1	Shaft-Motor	211	139-7866	1	Kit, Arm, Control
74	104-5360	1	Washer	212	114-8470	1	Axle Shaft Kit
80	94-1933	2	Washer	215	140-9498	1	Kit, Outboard, RH Rot B / LH Rot A
81	125-0000	1	Gear-43T				

● Not illustrated

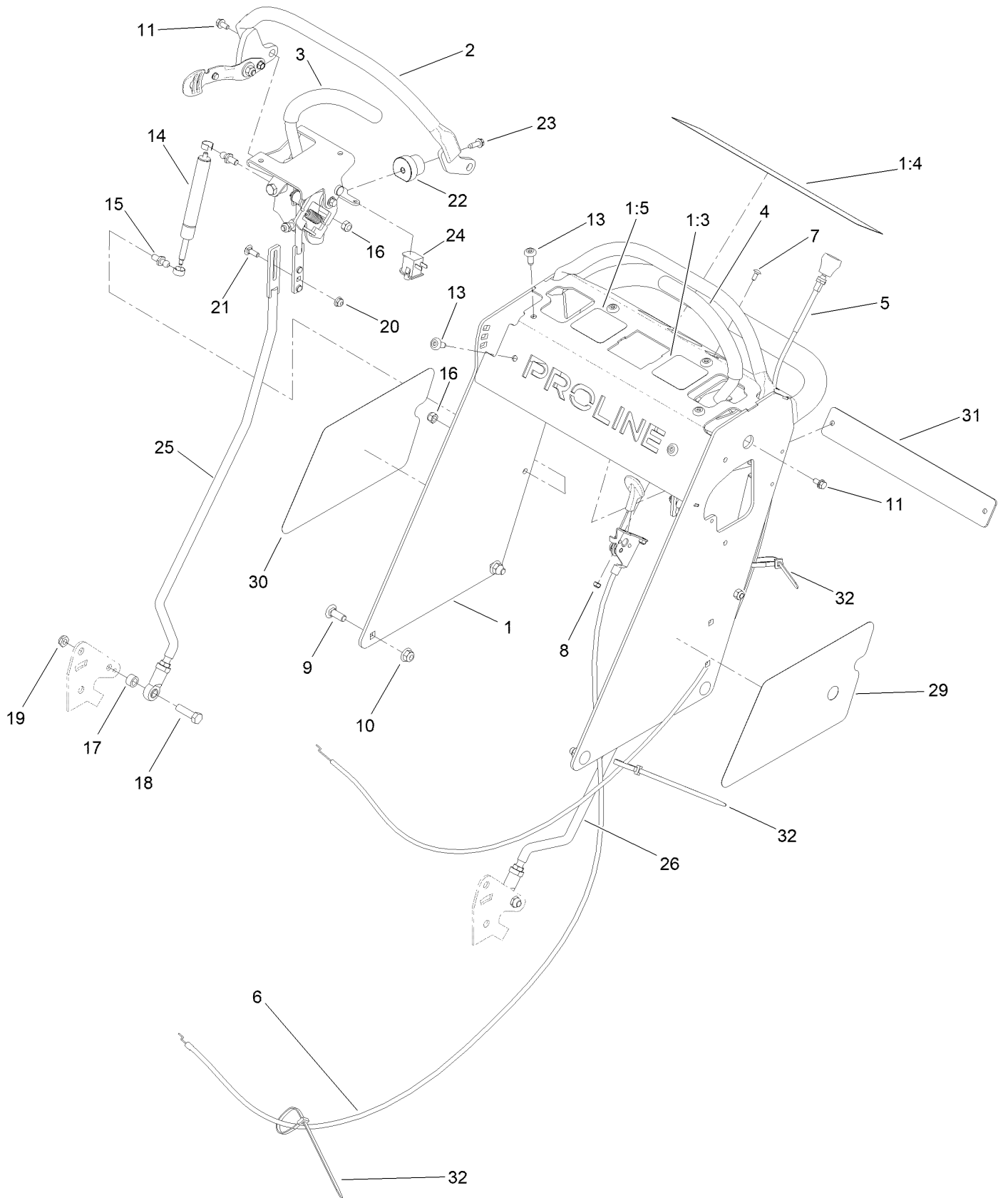
Idler Arm Pivot Assembly No. 138-1027



Idler Arm Pivot Assembly No. 138-1027 (continued)

<i>Ref.</i>	<i>Part Number</i>	<i>Qty.</i>	<i>Description</i>	<i>Ref.</i>	<i>Part Number</i>	<i>Qty.</i>	<i>Description</i>
1	138-6819	1	Mount-Idler	5	104-8300	1	Nut-HF, NI
2	110-9981	3	Washer-Plain	6	139-4027	1	Arm-Idler
3	114-8549	1	Bushing	7	126-0699	1	Bolt-CARR
4	114-0463	2	Washer-Friction, Composite				

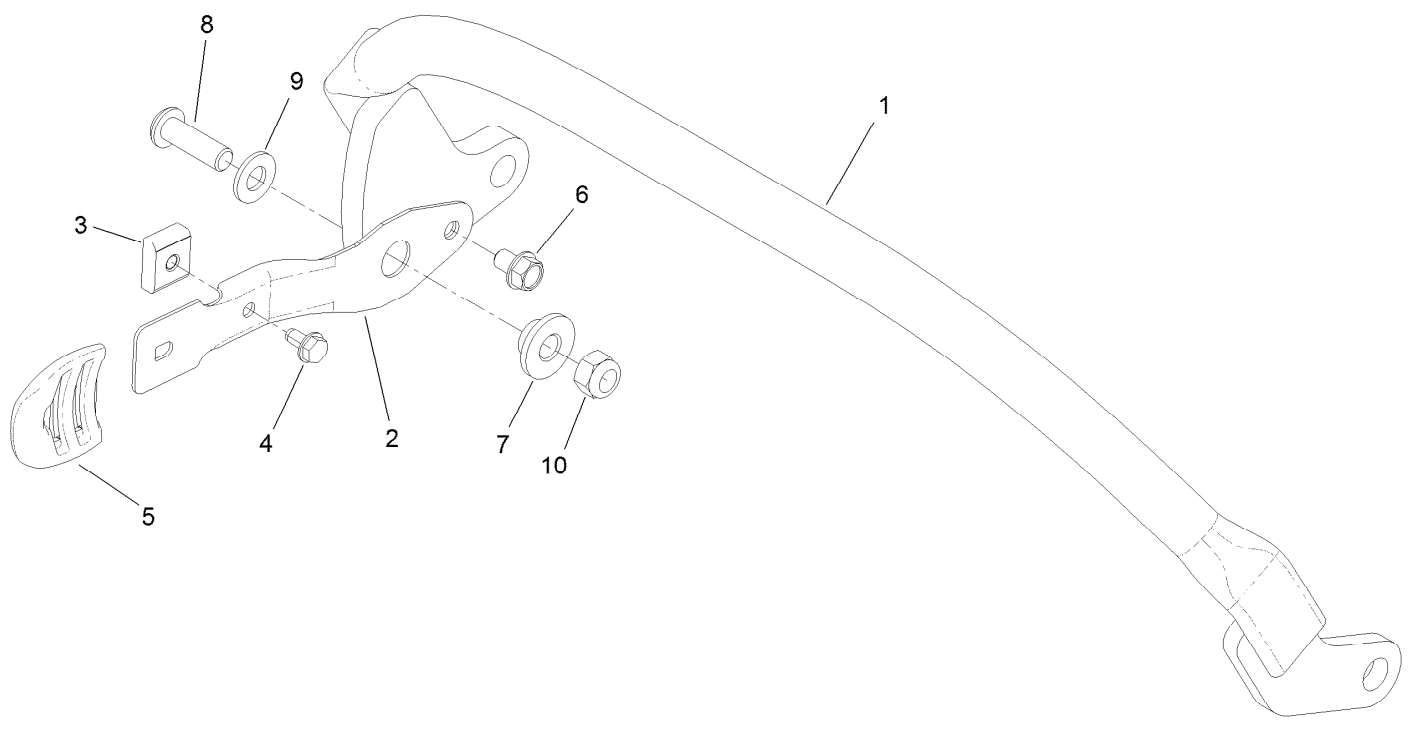
Operator Control Assembly



Operator Control Assembly (continued)

<i>Ref.</i>	<i>Part Number</i>	<i>Qty.</i>	<i>Description</i>	<i>Ref.</i>	<i>Part Number</i>	<i>Qty.</i>	<i>Description</i>
1	139-2850	1	Tower ASM	15	103-5752	4	Stud-Ball
1:3	138-8816	1	Decal-OPC Control, Left	16	3296-72	4	Nut-Lock, NI
1:4	138-8818	1	Decal-Warning, Control	17	121-2608	2	Spacer
1:5	139-2874	1	Decal-OPC Control, Right	18	323-29	2	Screw-HH
2	139-1475	1	Reference Bar Assembly	19	3296-59	2	Nut-Lock, NI
3	139-1532	1	Control Handle ASM, RH	20	104-7201	2	Nut-HF, NI
4	139-1487	1	Control Handle ASM, LH	21	3229-1	2	Screw-CARR
5	126-2107	1	Cable, Choke	22	126-1499	2	Cam
6	109-3958	1	Control-Throttle	23	49-2040	2	Screw-HWHTF
7	3229-34	2	Screw-CARR	24	82-2190	2	Switch-Bail
8	3296-2	2	Nut-Lock, NI	25	139-4032	1	Control Rod ASM, RH
9	3231-22	4	Screw-CARR	26	139-4037	1	Control Rod ASM, LH
10	104-8301	4	Nut-HF, NI	29	140-4255	1	Decal-Proline HDX, LH
11	119-1065	2	Screw-HWH	30	140-4256	1	Decal-Proline HDX, RH
13	138-9753	6	Screw	31	140-4251-03	1	Plate-Cover
14	139-1523	2	Damper	32	3290-378	3	Tie-Cable

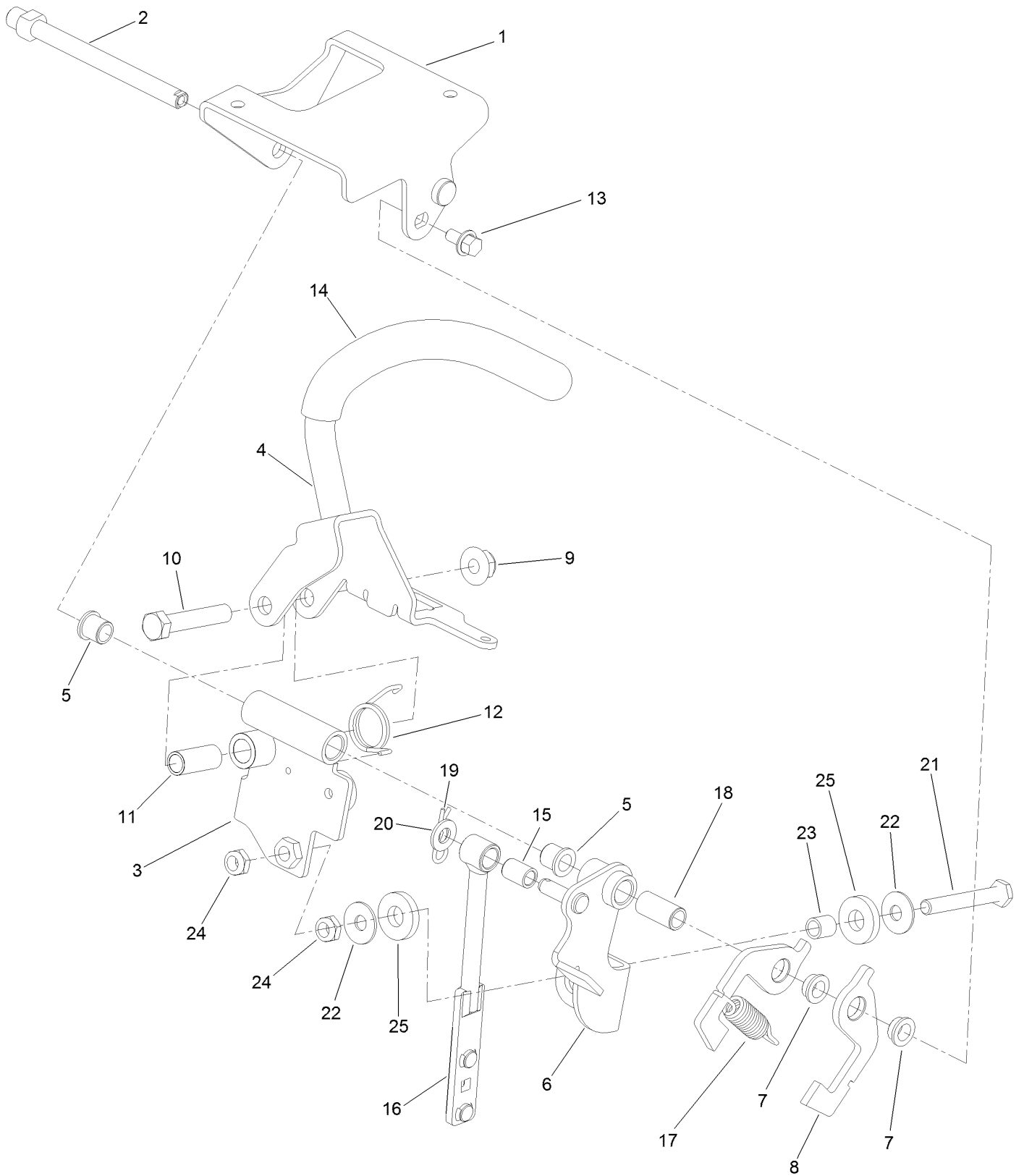
Reference Bar Assembly No. 139-1475



Reference Bar Assembly No. 139-1475 (continued)

<i>Ref.</i>	<i>Part Number</i>	<i>Qty.</i>	<i>Description</i>	<i>Ref.</i>	<i>Part Number</i>	<i>Qty.</i>	<i>Description</i>
1	139-2855-01	1	Reference Bar	6	99-8445	1	Screw-HWH
2	121-1431-03	1	Arm-Spring	7	117-5991	1	Washer-Stepped, Baffle
3	131-5377	1	Key-Arm, Spring	8	119-6903	1	Screw-HSBH
4	104-2065	1	Screw-HWH	9	120-9683	1	Washer-Plain
5	125-1093	1	Knob-Lever, HOC	10	3296-72	1	Nut-Lock, NI

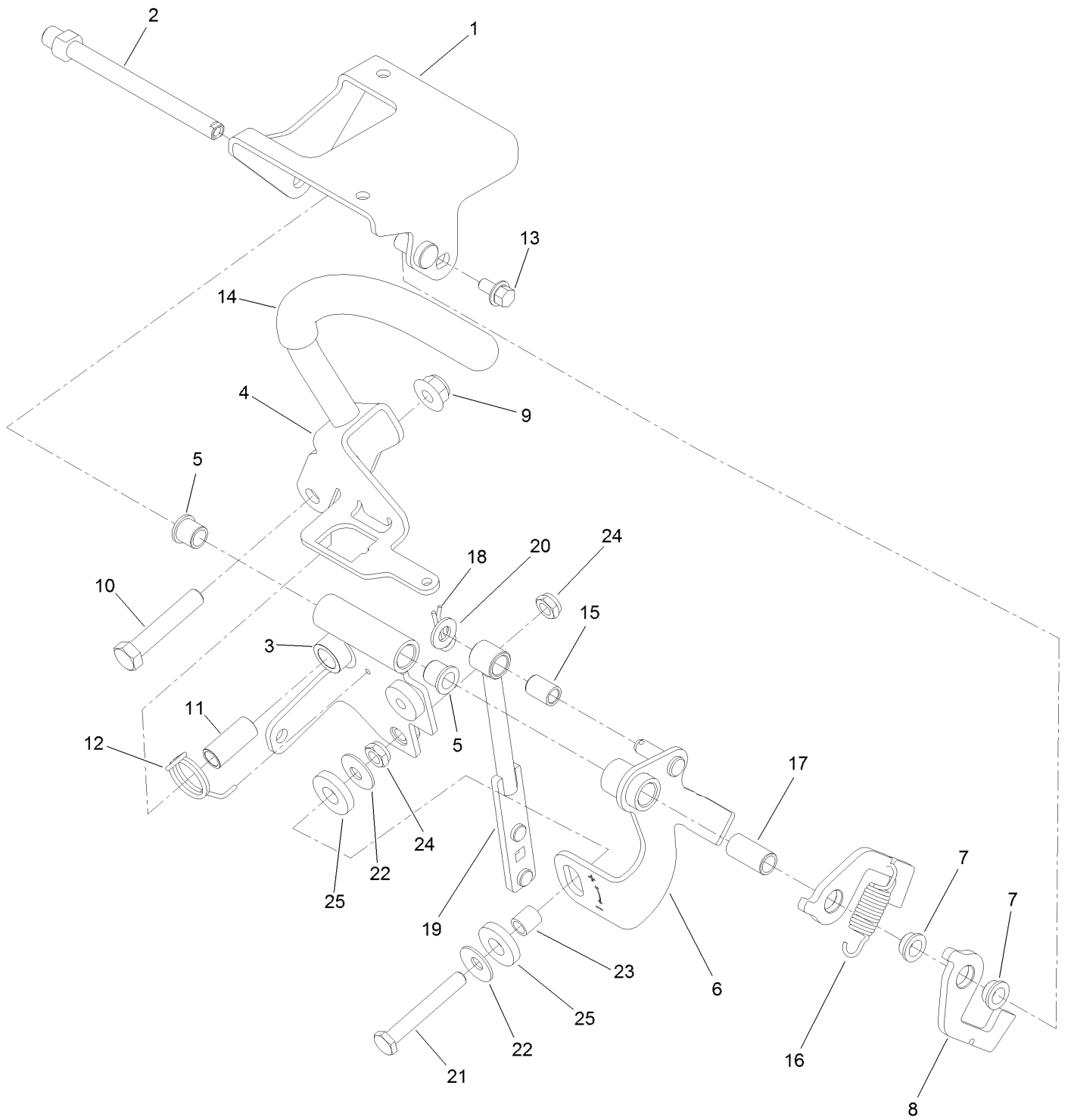
RH Control Handle Assembly No. 139-1532



RH Control Handle Assembly No. 139-1532 (continued)

<i>Ref.</i>	<i>Part Number</i>	<i>Qty.</i>	<i>Description</i>	<i>Ref.</i>	<i>Part Number</i>	<i>Qty.</i>	<i>Description</i>
1	139-2852	1	Bracket-Mount, RH	14	139-2863	1	Grip-Handle
2	139-1486	1	Pin-Pivot	15	139-2869	1	Bushing
3	139-1535	1	Motion Control ASM RH	16	139-2917	1	Control Rod Assembly
4	139-1540	1	RH Lever ASM	17	139-2859	1	Spring-Extension
5	103-9928	2	Bearing	18	139-2875	1	Bushing
6	139-2903	1	Motion Control ASM RH	19	1-806003	1	Pin-Cotter
7	139-1525	2	Bushing-Flanged Nylon	20	3256-23	1	Washer-Plain
8	139-1513	2	Plate-Spring	21	9114524	1	Bolt-TAP, HH
9	104-8301	1	Nut-HF, NI	22	3290-456	2	Washer-Belleville
10	323-10	1	Screw-HH	23	139-7876	1	Spacer
11	131-3562	1	Bearing-Sleeve	24	3296-47	2	Nut-Lock,NI
12	139-1538	1	Spring-Torsion	25	139-7883	2	Washer-Rubber
13	3234-13	1	Screw-HHF				

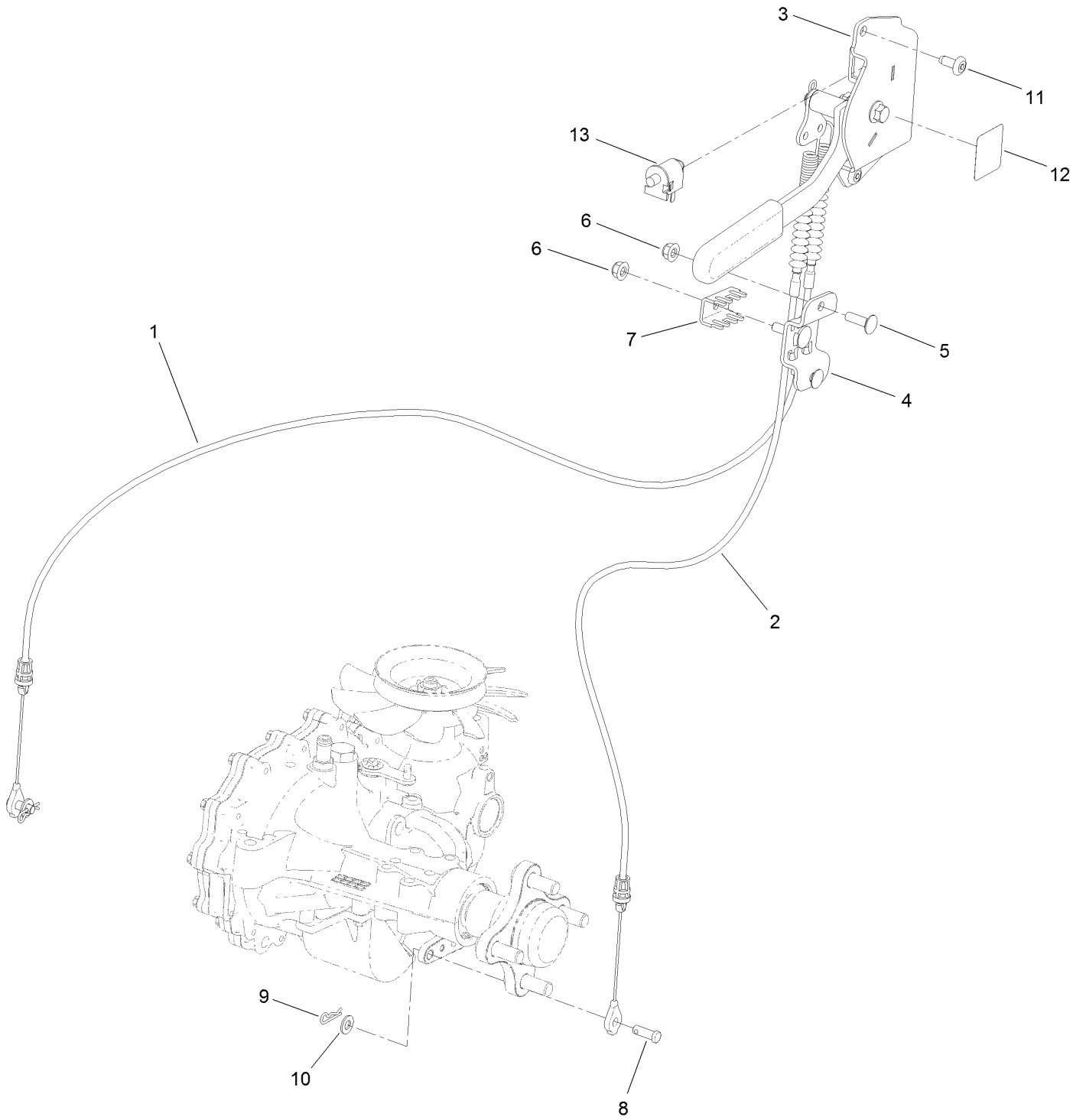
LH Control Handle Assembly No. 139-1487



LH Control Handle Assembly No. 139-1487 (continued)

<i>Ref.</i>	<i>Part Number</i>	<i>Qty.</i>	<i>Description</i>	<i>Ref.</i>	<i>Part Number</i>	<i>Qty.</i>	<i>Description</i>
1	139-2851	1	Bracket-Mount, LH	14	139-2863	1	Grip-Handle
2	139-1486	1	Pin-Pivot	15	139-2869	1	Bushing
3	139-1490	1	Motion Control ASM LH	16	139-2859	1	Spring-Extension
4	139-1495	1	LH Lever ASM	17	139-2875	1	Bushing
5	103-9928	2	Bearing	18	1-806003	1	Pin-Cotter
6	139-2865	1	Motion Control ASM LH	19	139-2917	1	Control Rod Assembly
7	139-1525	2	Bushing-Flanged Nylon	20	3256-23	1	Washer-Plain
8	139-1513	2	Plate-Spring	21	9114524	1	Bolt-TAP, HH
9	104-8301	1	Nut-HF, NI	22	3290-456	2	Washer-Belleville
10	323-10	1	Screw-HH	23	139-7876	1	Spacer
11	131-3562	1	Bearing-Sleeve	24	3296-47	2	Nut-Lock,NI
12	139-1508	1	Spring-Torsion	25	139-7883	2	Washer-Rubber
13	3234-13	1	Screw-HHF				

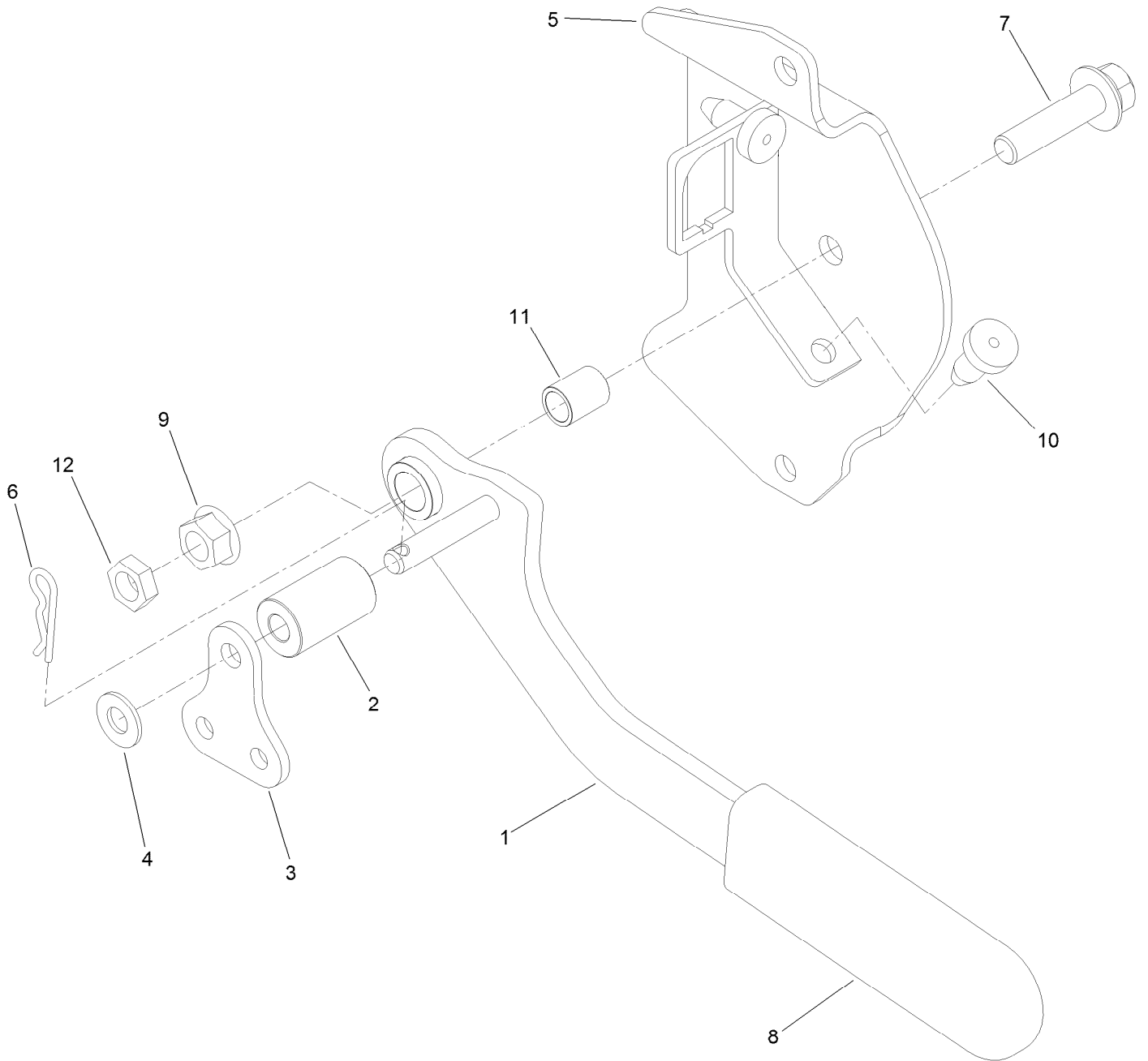
Brake Assembly



Brake Assembly (continued)

<i>Ref.</i>	<i>Part Number</i>	<i>Qty.</i>	<i>Description</i>	<i>Ref.</i>	<i>Part Number</i>	<i>Qty.</i>	<i>Description</i>
1	138-5841	1	Cable-Brake	8	283-75	2	Pin-Clevis
2	138-5842	1	Cable-Brake	9	1-806003	2	Pin-Cotter
3	138-5844	1	Brake Assembly	10	3256-23	2	Washer-Plain
4	132-7582	1	Mount-Cable, Brake	11	138-9753	2	Screw
5	3230-28	2	Screw-CARR	12	116-5988	1	Decal-Park Brake, CE
6	104-8300	3	Nut-HF, NI	13	82-2190	1	Switch-Bail
7	132-1187	1	Clamp-Cable				

Brake Assembly No. 138-5844



Brake Assembly No. 138-5844 (continued)

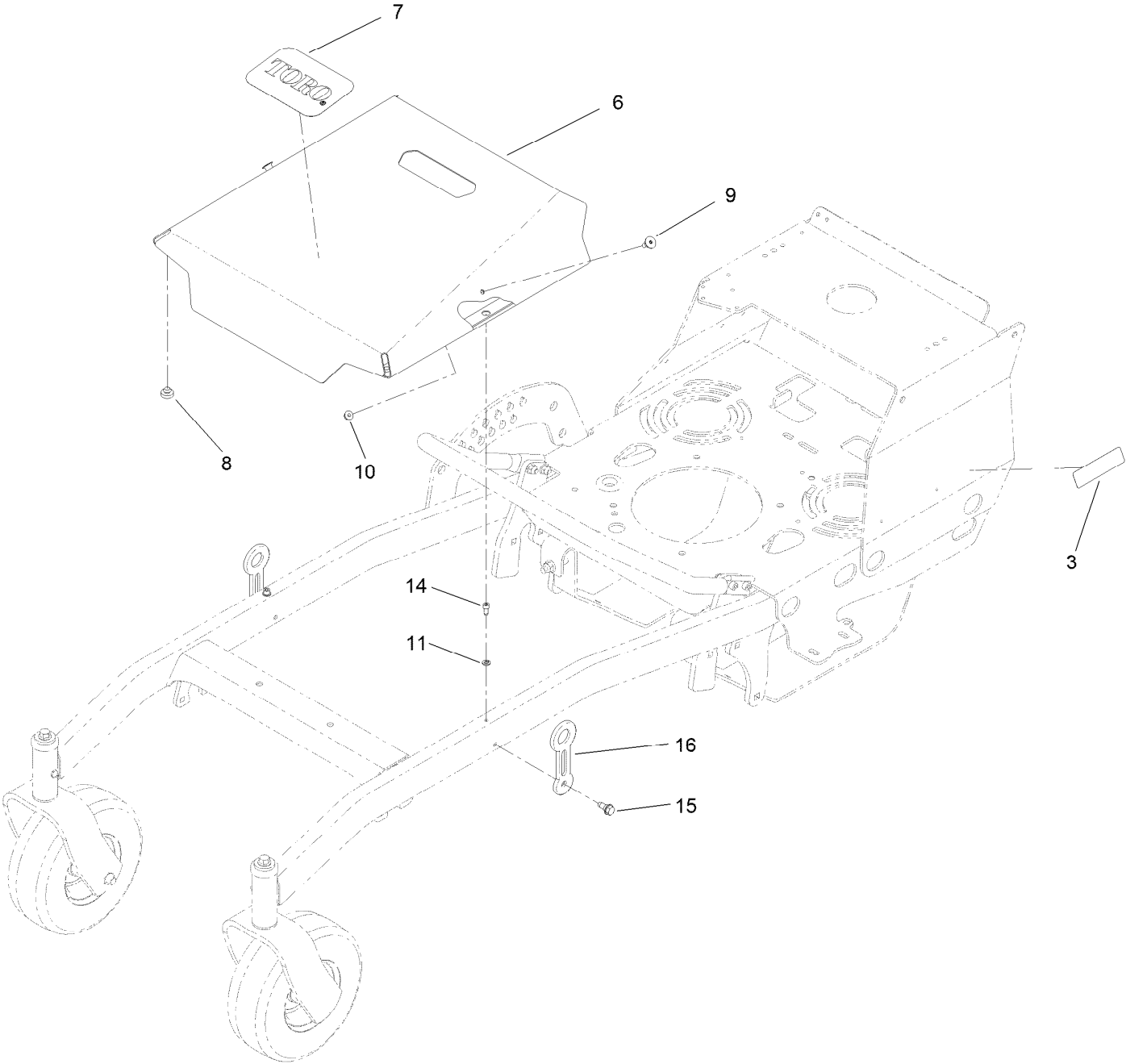
<i>Ref.</i>	<i>Part Number</i>	<i>Qty.</i>	<i>Description</i>
1	138-5845	1	Handle-Brake
2	77-3180	1	Spacer
3	138-6870	1	Yoke-Cable
4	93-6079	1	Spacer-Nylon
5	144-1515	1	Bracket ASM-Brake
6	1-806003	1	Pin-Cotter

<i>Ref.</i>	<i>Part Number</i>	<i>Qty.</i>	<i>Description</i>
7	114-4681	1	Screw-HHF
8	1-633268	1	Grip-Lever
9	32128-21	1	Nut-HF Lock
10	87-8460	2	Bumper-Rubber
11	139-2942	1	Bearing-Sleeve
12	3218-3	1	Nut-Jam

Deck Lift Assembly (continued)

<i>Ref.</i>	<i>Part Number</i>	<i>Qty.</i>	<i>Description</i>	<i>Ref.</i>	<i>Part Number</i>	<i>Qty.</i>	<i>Description</i>
1	138-5868	1	Deck Strut ASM	9:4	95-3857	3	Screw-HSBH
1:2	126-8360	4	Bushing-Rubber, Suspension	9:5	237-21	3	O-Ring
1:3	108-6544	4	Spacer	10	138-7203	1	Pin-HOC
2	138-5864	1	Pivot ASM-Front	11	138-7205	4	Chain-Decklift, 4-Link
3	138-6868	1	Pivot ASM	13	130-0742	5	Bolt-Shoulder
4	104-8300	8	Nut-HF, NI	14	115-4986	1	Spacer
5	104-8301	13	Nut-HF, NI	15	138-5860	1	Lever-Lock
6	108-3742	2	Screw-HHF	16	138-5875-03	1	Link-HOC
7	139-5872	4	Bearing-Flange	17	3230-3	8	Screw-CARR
8	138-7204	4	Gusset-Deck Lift	18	3231-4	1	Screw-CARR
9	138-6890	1	HOC Standoff ASM	19	3231-7	2	Screw-CARR
9:1	138-1009	1	Plate - HOC	20	138-7207	5	Spacer-Hub, Blower
9:2	138-7201	3	Spacer-Double Step	21	48-9220	1	Washer-Flat
9:3	48-9220	3	Washer-Flat	22	138-8821	1	Decal-HOC

Deck Cover Assembly



Deck Cover Assembly (continued)

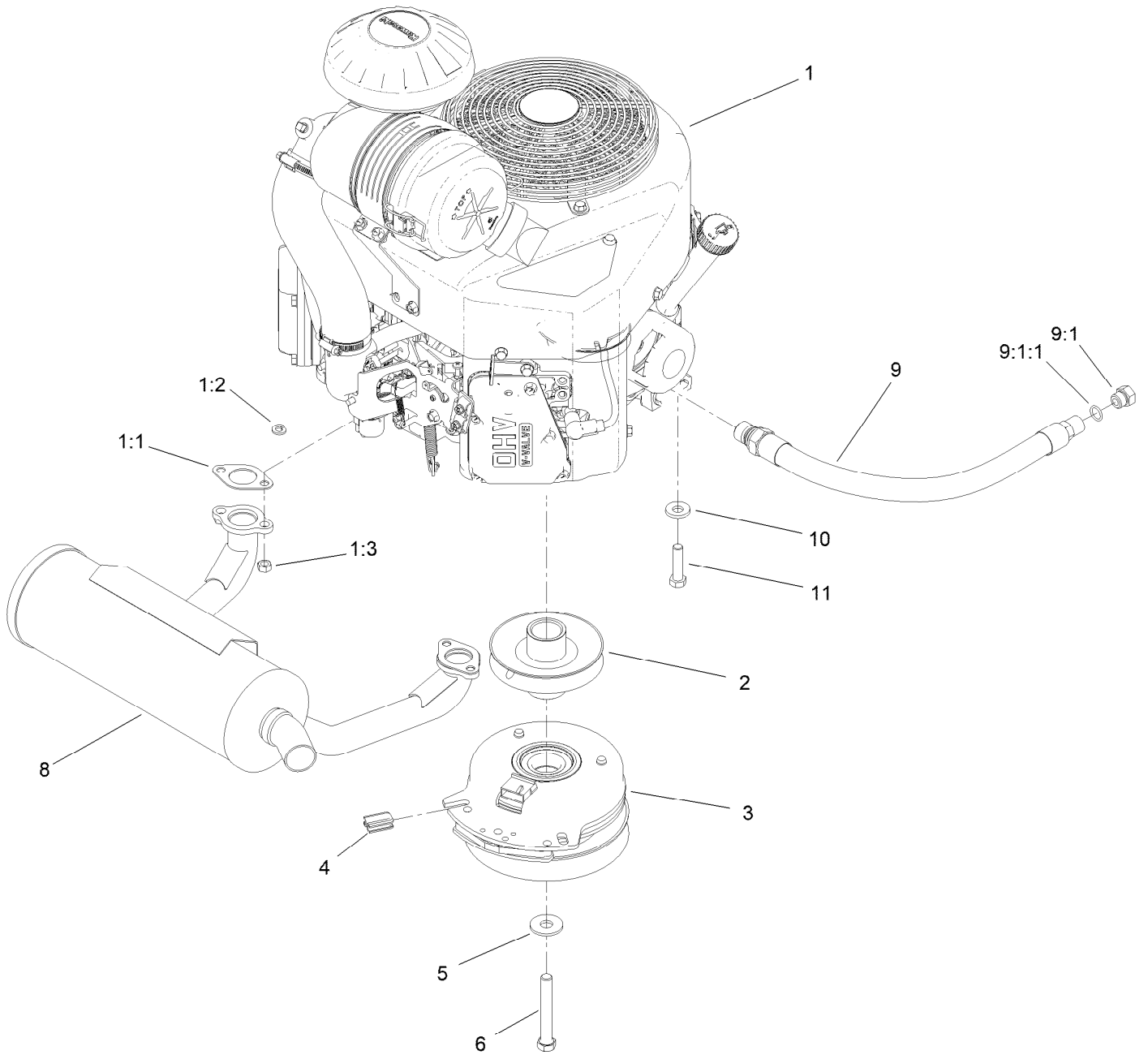
<i>Ref.</i>	<i>Part Number</i>	<i>Qty.</i>	<i>Description</i>	<i>Ref.</i>	<i>Part Number</i>	<i>Qty.</i>	<i>Description</i>
3	133-8062	1	Decal-Arrestor, Spark	11	3253-3	2	Washer-Lock
6	140-4332-03	1	Cover-Deck	14	65-5220	2	Screw-HSH, Thread Forming
7	99-4693	1	Decal	15	126-4424	2	Screw-Shoulder
8	1-513658	4	Bumper	16	ST47182	2	Latch-Rubber
9	125-1122	2	Screw				
10	104-7201	2	Nut-HF, NI				

Frame Assembly (continued)

<i>Ref.</i>	<i>Part Number</i>	<i>Qty.</i>	<i>Description</i>	<i>Ref.</i>	<i>Part Number</i>	<i>Qty.</i>	<i>Description</i>
1	140-1864	1	Frame ASM	7	3296-45	2	Nut-Hex
1:2	138-8820	1	Decal - Bypass	8	3-7898	2	Washer-Thrust
1:3	126-1400	1	Decal-Warning, Sulky	9	126-1425	2	Cap, Dust
1:4	98-1977	1	Decal-Warning	10	1-373034	2	Washer
2	1-303514	4	Bearing-Flanged	11	110-1718	2	Screw-HHF
3	116-7941-01	2	Fork, Caster	12	138-5880-03	1	Tube, Muffler Guard
4	140-4285	2	Wheel And Tire ASM	13	3274-18	4	Screw-HSH
4:1		1	Tire ●	14	138-6816-03	2	Guard-Transmission
4:2	1-513809	1	Bearing	15	3230-10	4	Bolt-CARR
4:3	1-513810	2	Bushing	16	104-8300	8	Nut-HF, NI
4:4	302-61	1	Fitting-Grease	17	117-9971	2	Bolt-Carriage
4:5		1	Wheel - 4 X 2.25 X 4.25 Tube ●	18	104-8301	2	Nut-HF, NI
5	1-513547	2	Spacer	19	114-2754	2	Spacer
6	325-20	2	Screw-HH	20	1-543286	1	Grommet

● Not serviced separately

Engine Assembly



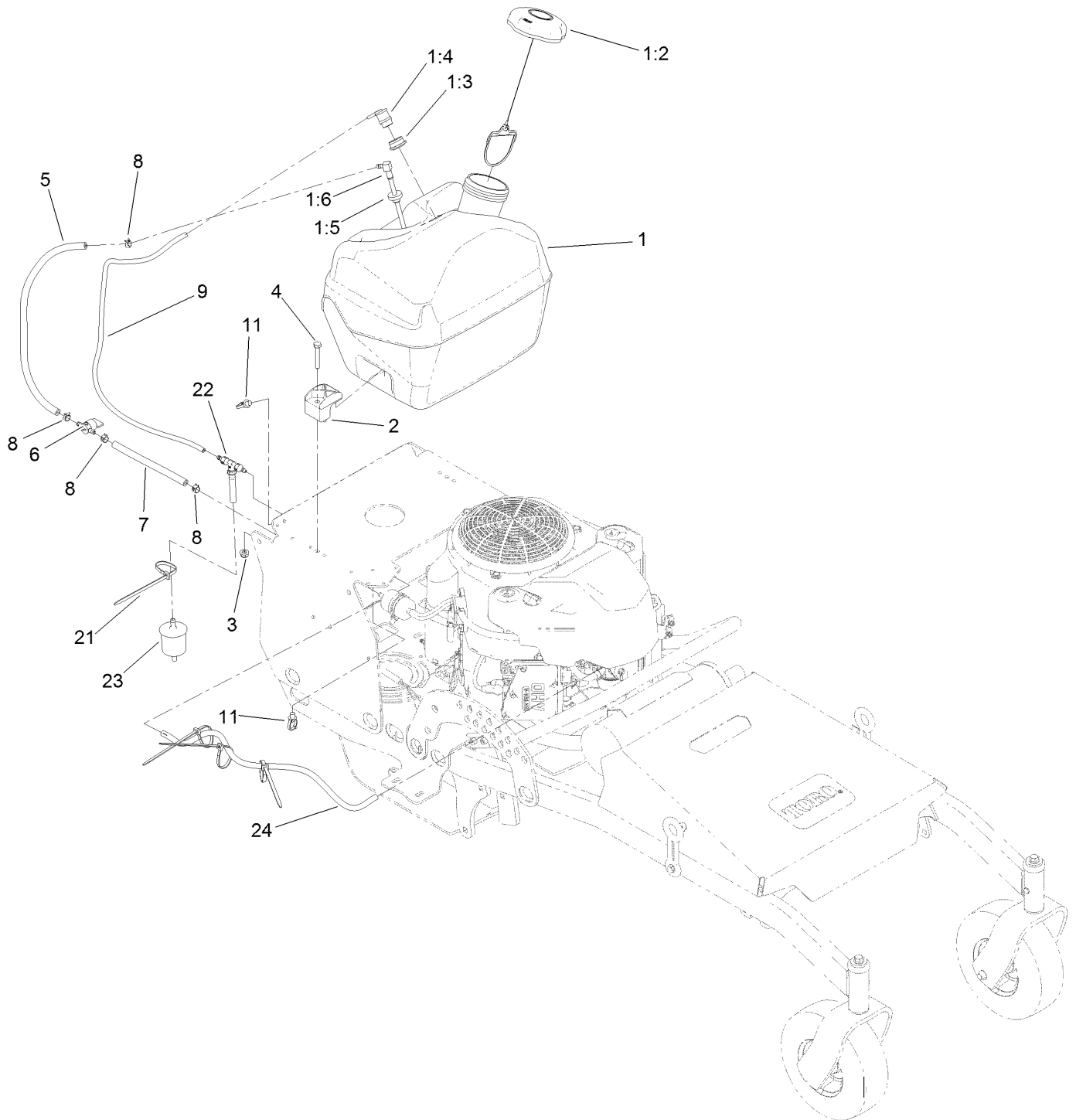
Engine Assembly (continued)

<i>Ref.</i>	<i>Part Number</i>	<i>Qty.</i>	<i>Description</i>	<i>Ref.</i>	<i>Part Number</i>	<i>Qty.</i>	<i>Description</i>
1		1	Engine-Kawasaki, Fx481V ■▲	5	94-2701	1	Washer-Hardened
1:1	1-653313	2	Gasket-Exhaust	6	126-7198	1	Screw-HH W/Loctite
1:2	114-3550	4	Washer-Lock	8	116-3735	1	Muffler-Horizontal
1:3	114-3549	4	Nut	9	116-5052	1	Asm-Oil Drain Hose W/Plug
2	139-2879	1	Pulley	9:1	353-508	1	Plug-HH ●
3	144-3744	1	Clutch-PTO	9:1:1	237-42	1	O-Ring
4	120-2217	1	Isolator-Clutch	10	98-5975	3	Washer-Belleville
				11	323-8	4	Screw-HH

● Torque to 20-24 ft-lb
▲ Obtain parts from www.kawpower.com

■ Not serviced separately

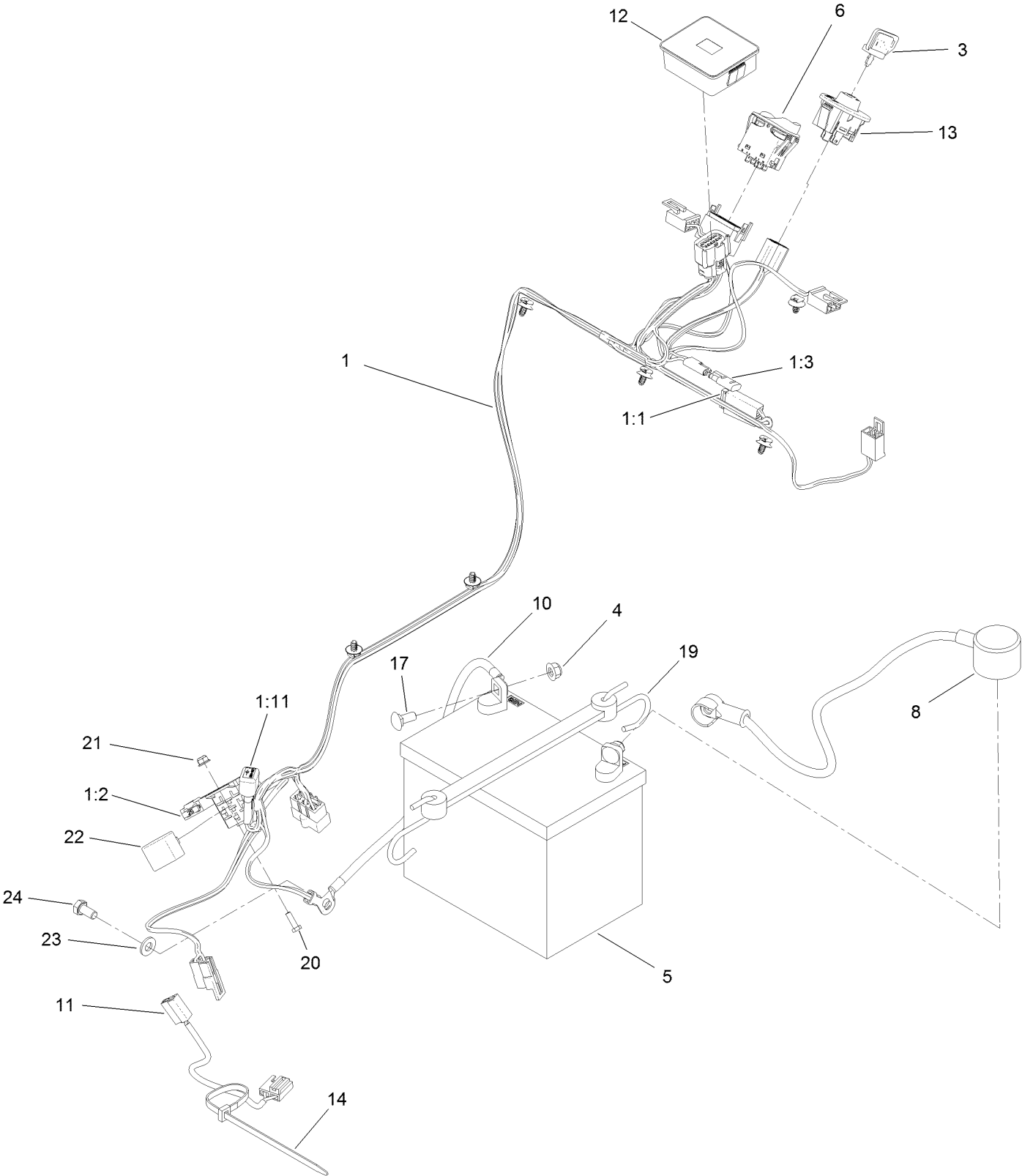
Fuel System Assembly



Fuel System Assembly (continued)

<i>Ref.</i>	<i>Part Number</i>	<i>Qty.</i>	<i>Description</i>	<i>Ref.</i>	<i>Part Number</i>	<i>Qty.</i>	<i>Description</i>
1	140-4343	1	Fuel Tank ASM, 5 Gal	5	114-4428	1	Hose-Fuel
1:2	137-4119	1	Cap-Fuel, Ratcheting	6	1-603770	1	Valve-Fuel
1:3	114-0284	1	Grommet	7	110-1876	1	Hose-Fuel
1:4	119-3547	1	Valve-Vent, Fuel	8	2412-98	4	Clamp-Hose
1:5	46-6560	1	Bushing	9	138-8837	1	Hose, Emissions
1:6	109-9364	1	Fitting-Fuel (W/Line And Screen)	11	32180-030	2	Clip-Tie
2	107-4543	2	Clamp	21	3290-378	4	Tie-Cable
3	104-8300	2	Nut-HF, NI	22	116-5464	1	Tee And Check
4	322-10	2	Screw-HH	23	120-2235	1	Filter-Fuel
				24	119-6074	1	Hose-Fuel

Electrical Harness and Battery Assembly



Electrical Harness and Battery Assembly (continued)

<i>Ref.</i>	<i>Part Number</i>	<i>Qty.</i>	<i>Description</i>	<i>Ref.</i>	<i>Part Number</i>	<i>Qty.</i>	<i>Description</i>
1	138-6892	1	Harness-Wire, Wasp	11	126-0624	1	Harness-Clutch Pigtail
1:1	109355	1	Fuse-Blade, 15 Amp	12	139-5561	1	Module, Hour Meter
1:2	109102	1	Fuse-Blade, 25 Amp	13	137-4100	1	Switch-Ignition
1:3	116-0053	1	Cap-Plug	14	3290-378	1	Tie-Cable
1:11	100-4918	1	Diode	17	3230-1	2	Bolt-CARR
3	63-8360	1	Key-Ignition	19	104-2466	1	Holddown-Battery
4	104-8300	2	Nut-HF, NI	20	3290-134	1	Screw
5	105-1692	1	Battery, 230CCA W/O Electrolyte	21	120-4578	1	Nut-HF
6	139-6367	1	Switch-Rocker, (On)-On-Off	22	1-643275	1	Relay
8	115-3864	1	Cable-Battery, Positive	23	33094-00	1	Washer-Plain
10	139-6358	1	Cable-Battery, Neg ASM	24	33114-016	1	Screw-HH

Attachments and Accessories

For 44436 Proline Commercial Walk-Behind Mower with 36in Floating Cutting Unit

Product Name	Model/Part
Hypr-Oil 500 (quart).....	114-4713
Hypr-Oil 500 (gallon).....	114-4714
Hypr-Oil 500-5 (5 gallon).....	114-4715
Bagger Adaptor Kit	121-7515
Toro Premium Fuel Treatment 12 Oz Bottle	131-6572
Electric Accessory Port.....	133-1438
Weight Kit	138-6866
Blade - Mulch, 18.00 In.....	138-8883-03
Blade - Hi Flow, 18.00 In.....	138-8887-03
Blade - High Lift, 18.00 In.....	138-8894-03
HOC Brackets Kit.....	139-4063
Light Kit.....	139-5595
Soft Side Bagger.....	139-7860
36in Recycler Kit.....	140-1913
Rubber Deflector Kit	140-4300
Kit-Bagging Enhancement.....	140-4321
6 Pack-Blade, 18.00 Recycler.....	140-7729
6 Pack-Blade, 18.00 Hi-Flow	140-7733
6 Pack-Blade, 18.00 Hi-Lift	140-7737
10w30 4-Cycle Engine Oil (32oz Bottle).....	38280
Toro 4-Cycle SAE 30 Oil (32oz Bottle)	38903
Two-Wheel Sulky, Proline Midsize	44401
Spark Arrestor	98-9099

Notes:



Count on it.