



**Count on it.**

**Parts Catalog**

**Proline Commercial  
Walk-Behind Mower with 36in Floating  
Cutting Unit**

Model No. 44410—Serial No. 406814864 and Up



# Ordering Replacement Parts

To order replacement parts, please supply the part number, the quantity, and the description of each part desired.

## Understanding Reference Numbers

Each identified part in an illustration has a reference number. The reference number for a part also appears in the parts list, along with other information about the part.

This catalog uses two special reference number formats, one to indicate parts in a service assembly and another to indicate the quantity of a given part in an illustration.

## Service Assembly Reference Numbers

Parts in service assemblies have reference numbers in the form a:b. The a represents the reference number of the entire service assembly and the b represents a sequential number unique to each part within the service assembly.

For example, a wheel assembly might be identified by reference number 6, the tire by 6:1, the valve by 6:2, and the wheel by 6:3. When you order the assembly identified by reference number 6, you receive all parts identified by reference numbers 6:1, 6:2, and 6:3. However, you may also order any part individually. Reference numbers of this type appear in illustration and in parts lists.

## Reference Numbers Indicating Quantity

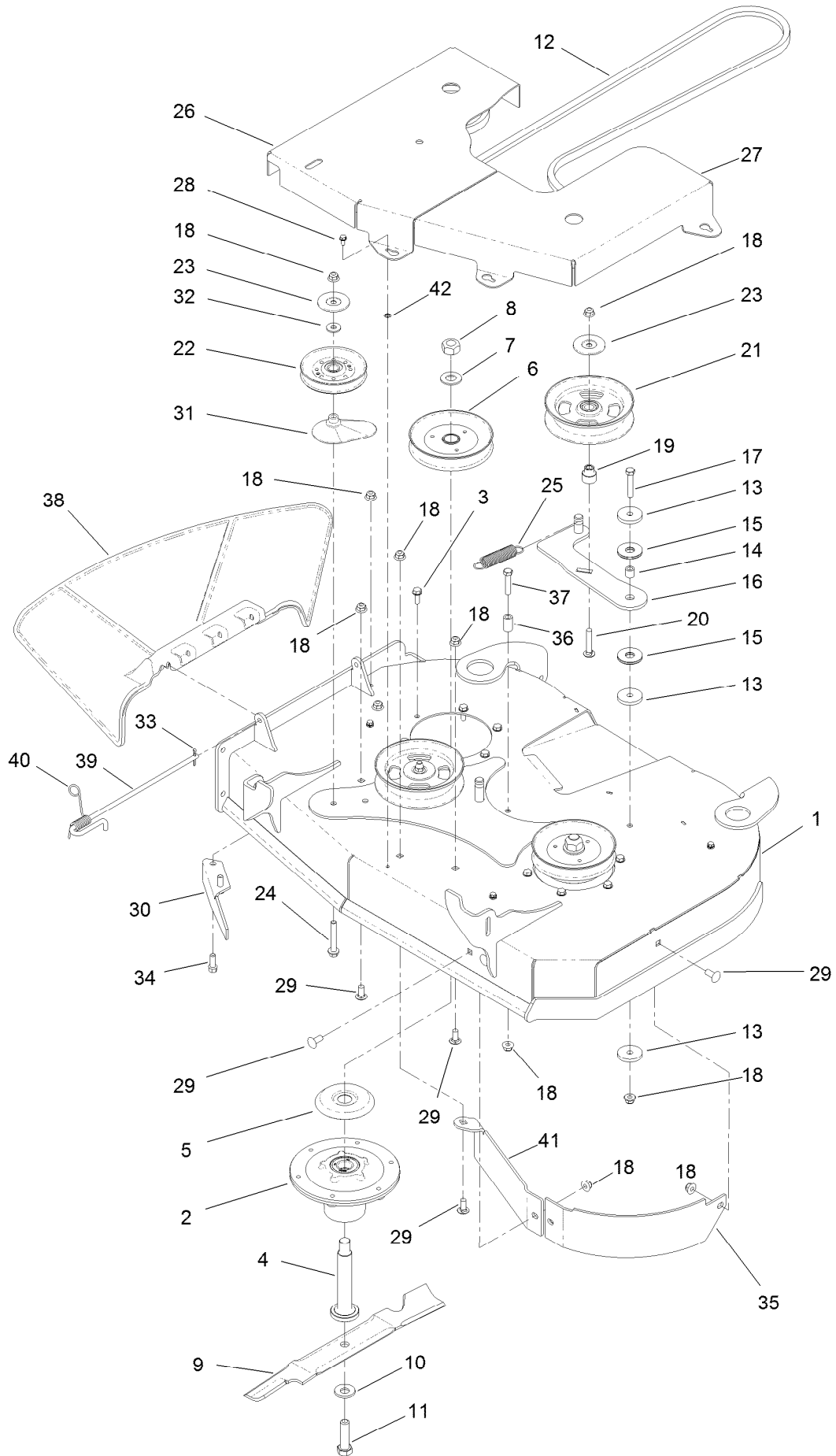
In an illustration, if a reference number indicates more than one part, the reference number has the form nX y. The n represents the quantity of the part, the X is the multiplication symbol, and the y represents the reference number.

For example, in an illustration, the reference number 2X 37 means that two of the parts identified by reference number 37 are indicated.

# Contents

|   |    |
|---|----|
| 36 Inch Deck Assembly .....                   | 4  |
| Deck Decal Assembly No. 138-6802 .....        | 6  |
| Spindle Assembly No. 139-2357 .....           | 8  |
| Transmission Assembly .....                   | 10 |
| LH Transmission Assembly No. 147-0360 .....   | 12 |
| RH Transmission Assembly No. 147-0361 .....   | 14 |
| Idler Arm Pivot Assembly No. 138-1027 .....   | 16 |
| Operator Control Assembly .....               | 18 |
| Reference Bar Assembly No. 139-1475 .....     | 20 |
| RH Control Handle Assembly No. 139-1532 ..... | 22 |
| LH Control Handle Assembly No. 139-1487 ..... | 24 |
| Brake Assembly .....                          | 26 |
| Brake Assembly No. 138-5844 .....             | 28 |
| Deck Lift Assembly .....                      | 30 |
| Hood Assembly .....                           | 32 |
| Frame Assembly .....                          | 34 |
| Engine Assembly .....                         | 36 |
| Fuel System Assembly .....                    | 38 |
| Electrical Harness and Battery Assembly ..... | 40 |
| Attachments and Accessories .....             | 42 |

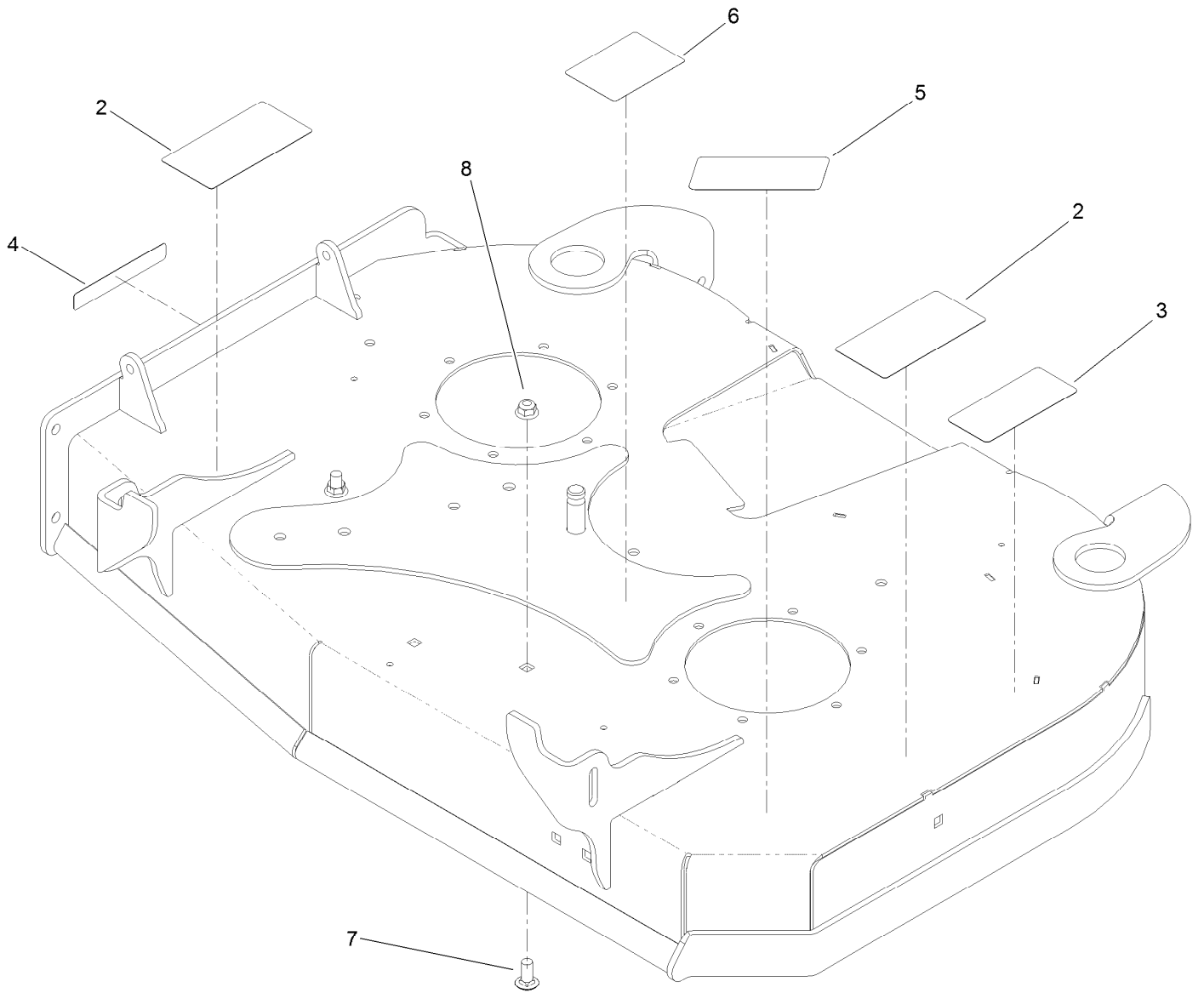
# 36 Inch Deck Assembly



## 36 Inch Deck Assembly (continued)

| <i>Ref.</i> | <i>Part Number</i> | <i>Qty.</i> | <i>Description</i>         | <i>Ref.</i> | <i>Part Number</i> | <i>Qty.</i> | <i>Description</i>   |
|-------------|--------------------|-------------|----------------------------|-------------|--------------------|-------------|----------------------|
| 1           | 138-6802           | 1           | 36" Deck ASM-Service       | 22          | 135-4398           | 1           | Idler - V 4.13 Eod-A |
| 2           | 139-2357           | 2           | Spindle ASM                | 23          | 126-8043           | 3           | Shield-Dust          |
| 3           | 32144-41           | 12          | Screw-Taptite              | 24          | 3234-39            | 2           | Screw-HHF            |
| 4           | 115-2642           | 2           | Shaft-Spindle              | 25          | 1-323071           | 1           | Spring-Extension     |
| 5           | 138-7221           | 2           | Shield-Bearing             | 26          | 139-7902-03        | 1           | Cover-Deck           |
| 6           | 138-6824           | 2           | Pulley                     | 27          | 139-7905-03        | 1           | Cover-Deck           |
| 7           | 7-4150             | 2           | Washer                     | 28          | 32144-4            | 4           | Screw-HWH            |
| 8           | 3219-7             | 2           | Nut-Hex                    | 29          | 3231-27            | 6           | Screw-CARR           |
| 9           | 138-8887-03        | 2           | Blade - Hi Flow, 18.00 In  | 30          | 110-0754-01        | 1           | Baffle-Discharge     |
| 10          | 125-1736           | 2           | Washer-Belleville          | 31          | 109-2872           | 2           | Spacer-Pulley        |
| 11          | 51-4060            | 2           | Screw-Blade                | 32          | 80-6990            | 1           | Washer-Hardened      |
| 12          | 138-5884           | 1           | Belt-V                     | 33          | 139-2614           | 1           | Pin-Cotter           |
| 13          | 110-9981           | 3           | Washer-Plain               | 34          | 92-1624            | 2           | Screw-HWH Thd Form   |
| 14          | 139-7933           | 1           | Bushing-Idler              | 35          | 110-6903-01        | 1           | Baffle-Front, LH     |
| 15          | 139-7932           | 2           | Washer-Friction, Composite | 36          | 138-7230           | 1           | Spacer-Fender        |
| 16          | 139-7915           | 1           | Idler Arm ASM              | 37          | 323-9              | 1           | Screw-HH             |
| 17          | 323-11             | 1           | Screw-HH                   | 38          | 133-1212           | 1           | Deflector-Discharge  |
| 18          | 104-8301           | 13          | Nut-HF, NI                 | 39          | 138-7231           | 1           | Pin-Chute            |
| 19          | 138-7227           | 1           | Bushing-Idler              | 40          | 138-7232           | 1           | Spring-Torsion       |
| 20          | 3231-6             | 1           | Screw-CARR                 | 41          | 140-4308-03        | 1           | Plate-Deflector      |
| 21          | 132-9425           | 2           | Pulley-Idler, Flat         | 42          | 1-803037           | 4           | Nut-Retaining        |

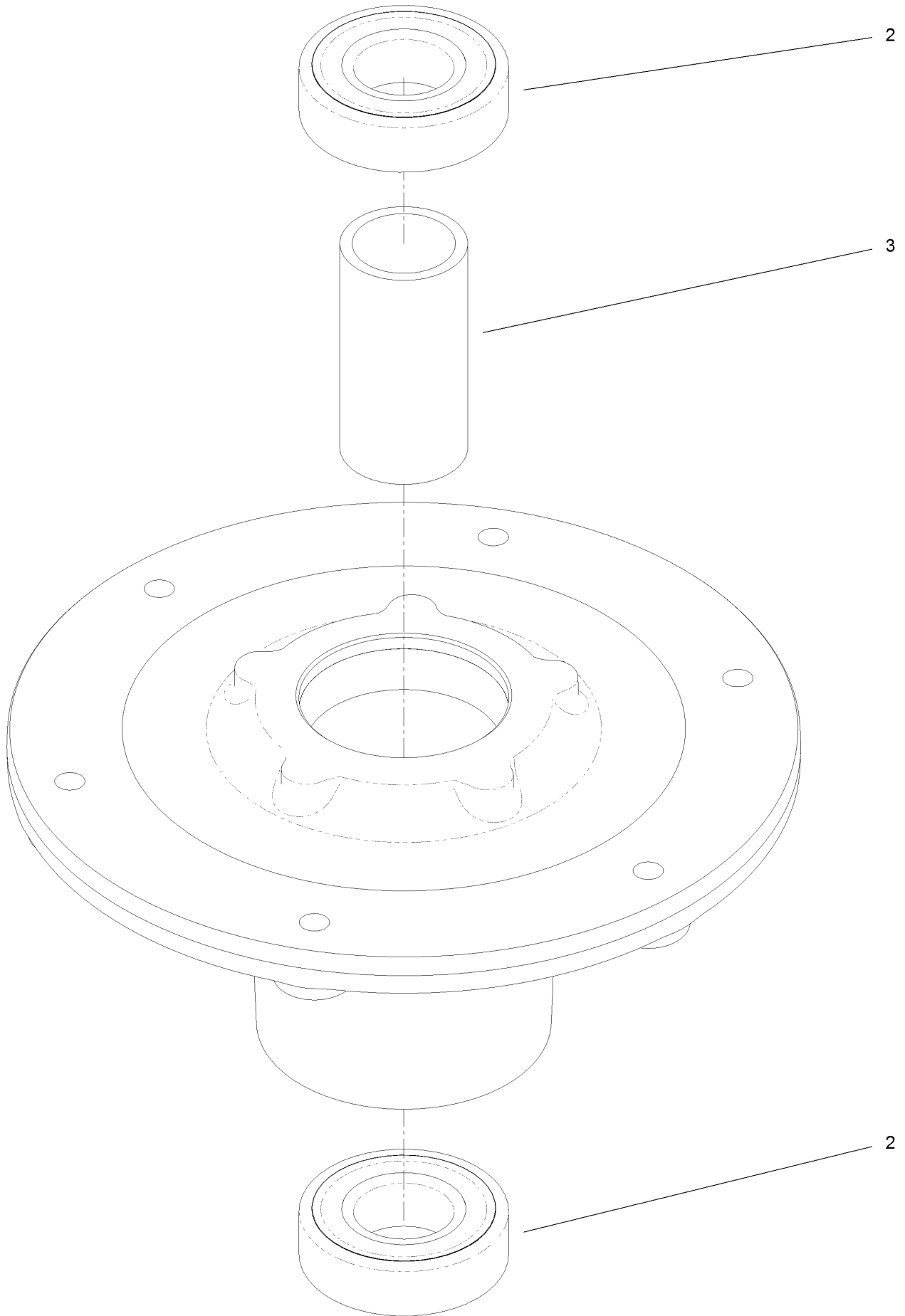
# Deck Decal Assembly No. 138-6802



## Deck Decal Assembly No. 138-6802 (continued)

| <i>Ref.</i> | <i>Part Number</i> | <i>Qty.</i> | <i>Description</i>       | <i>Ref.</i> | <i>Part Number</i> | <i>Qty.</i> | <i>Description</i>       |
|-------------|--------------------|-------------|--------------------------|-------------|--------------------|-------------|--------------------------|
| 2           | 133-4604           | 2           | Decal-Danger             | 6           | 139-7936           | 1           | Decal-Routing, Deck Belt |
| 3           | 93-7818            | 1           | Decal-Torque, Blade Bolt | 7           | 3231-27            | 2           | Screw-CARR               |
| 4           | 130-0731           | 1           | Decal-Danger             | 8           | 104-8301           | 2           | Nut-HF, NI               |
| 5           | 138-8826           | 1           | Decal-Deck, 36 Inch      |             |                    |             |                          |

# Spindle Assembly No. 139-2357





# Spindle Assembly No. 139-2357 (continued)

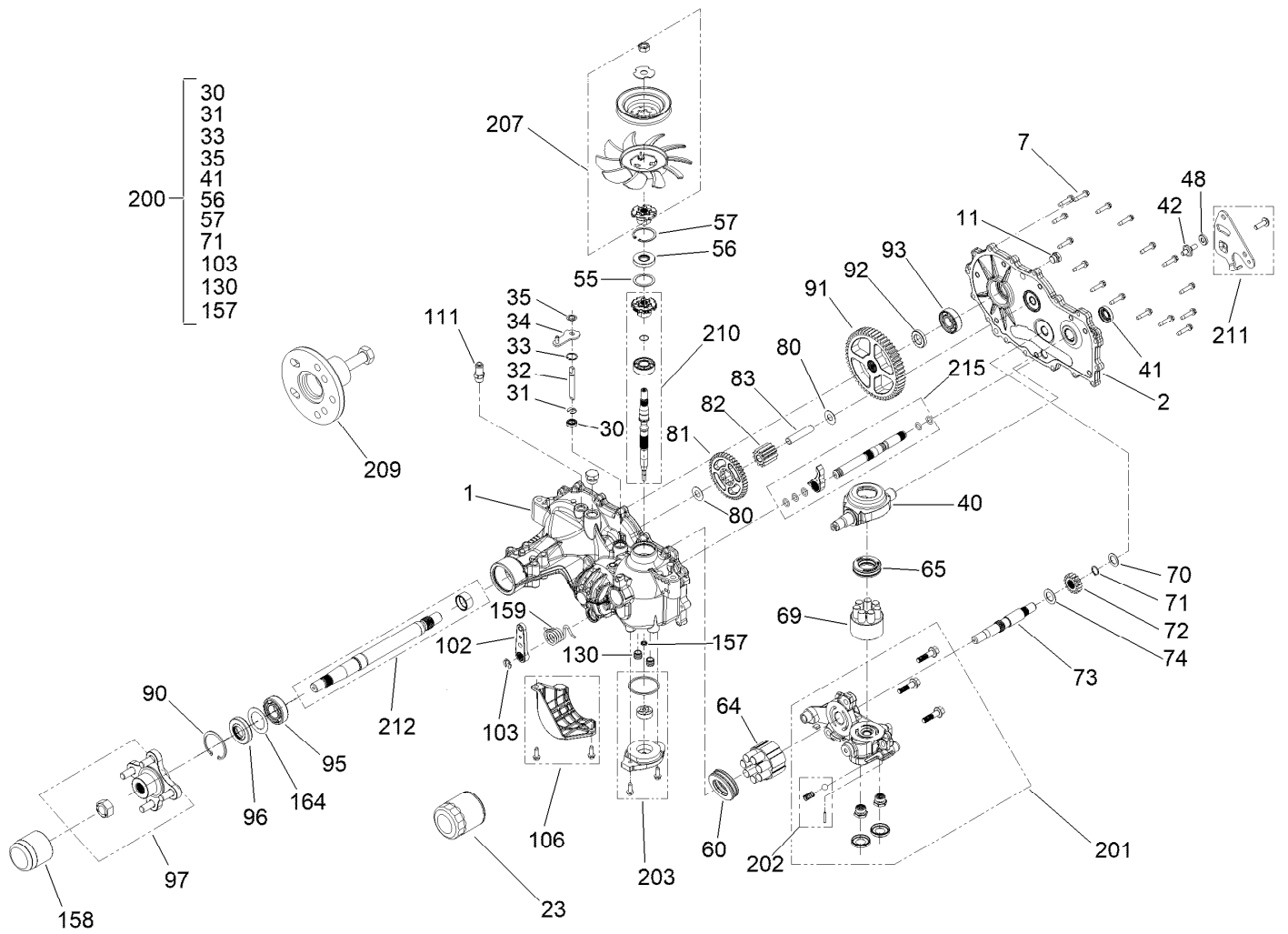
| <i>Ref.</i> | <i>Part Number</i> | <i>Qty.</i> | <i>Description</i> |
|-------------|--------------------|-------------|--------------------|
| 2           | 116-0720           | 2           | Bearing-Ball       |
| 3           | 138-7220           | 1           | Spacer-Bearing     |



## Transmission Assembly (continued)

| <i>Ref.</i> | <i>Part Number</i> | <i>Qty.</i> | <i>Description</i>       | <i>Ref.</i> | <i>Part Number</i> | <i>Qty.</i> | <i>Description</i>       |
|-------------|--------------------|-------------|--------------------------|-------------|--------------------|-------------|--------------------------|
| 1           | 147-0360           | 1           | Transmission, Zt-2800 LH | 14          | 138-6829           | 1           | Belt-V                   |
| 2           | 147-0361           | 1           | Transmission, Zt-2800 RH | 15          | 138-1027           | 1           | Idler Arm Pivot ASM      |
| 3           | 138-5878           | 2           | Wheel And Tire ASM       | 16          | 92-7101            | 1           | Pulley-Idler, Flat       |
| 3:1         | 119-3421           | 1           | Tire-4 Ply               | 17          | 3234-19            | 1           | Screw-HHF                |
| 3:2         | 139-7877           | 1           | Rim-8"                   | 18          | 3230-10            | 1           | Bolt-CARR                |
| 3:3         | 232-27             | 1           | Stem-Valve               | 19          | 104-8301           | 1           | Nut-HF, NI               |
| 4           | 242-50             | 8           | Nut-Lug                  | 20          | 138-6814           | 1           | Spring-Extension         |
| 5           | 139-5592           | 2           | Rod-Bypass               | 21          | 139-7914-03        | 1           | Bracket - Expansion Tank |
| 6           | 3256-22            | 2           | Washer-Flat              | 22          | 109-2250           | 1           | Tank-HYD                 |
| 7           | 1-806003           | 2           | Pin-Cotter               | 22:1        | 109-3320           | 1           | Cap-Reservoir, HYD       |
| 8           | 138-1028           | 1           | Shaft-Cross, Hydro       | 23          | 131-5841           | 1           | Hose-Overflow            |
| 9           | 138-5803           | 2           | Spacer - Transmission    | 24          | 121-2952           | 1           | Hose-Overflow            |
| 10          | 3230-9             | 6           | Screw-CARR               | 25          | 240-12             | 2           | Grommet-Rubber           |
| 11          | 104-8300           | 9           | Nut-HF, NI               | 26          | 117-1193           | 4           | Clamp-Hose               |
| 12          | 94-7972            | 2           | Screw-HH W/Loctite       | 27          | 32180-030          | 1           | Clip-Tie                 |
| 13          | 1-800286           | 2           | Screw-HH                 | 28          | 99-8445            | 2           | Screw-HWH                |

# LH Transmission Assembly No. 147-0360

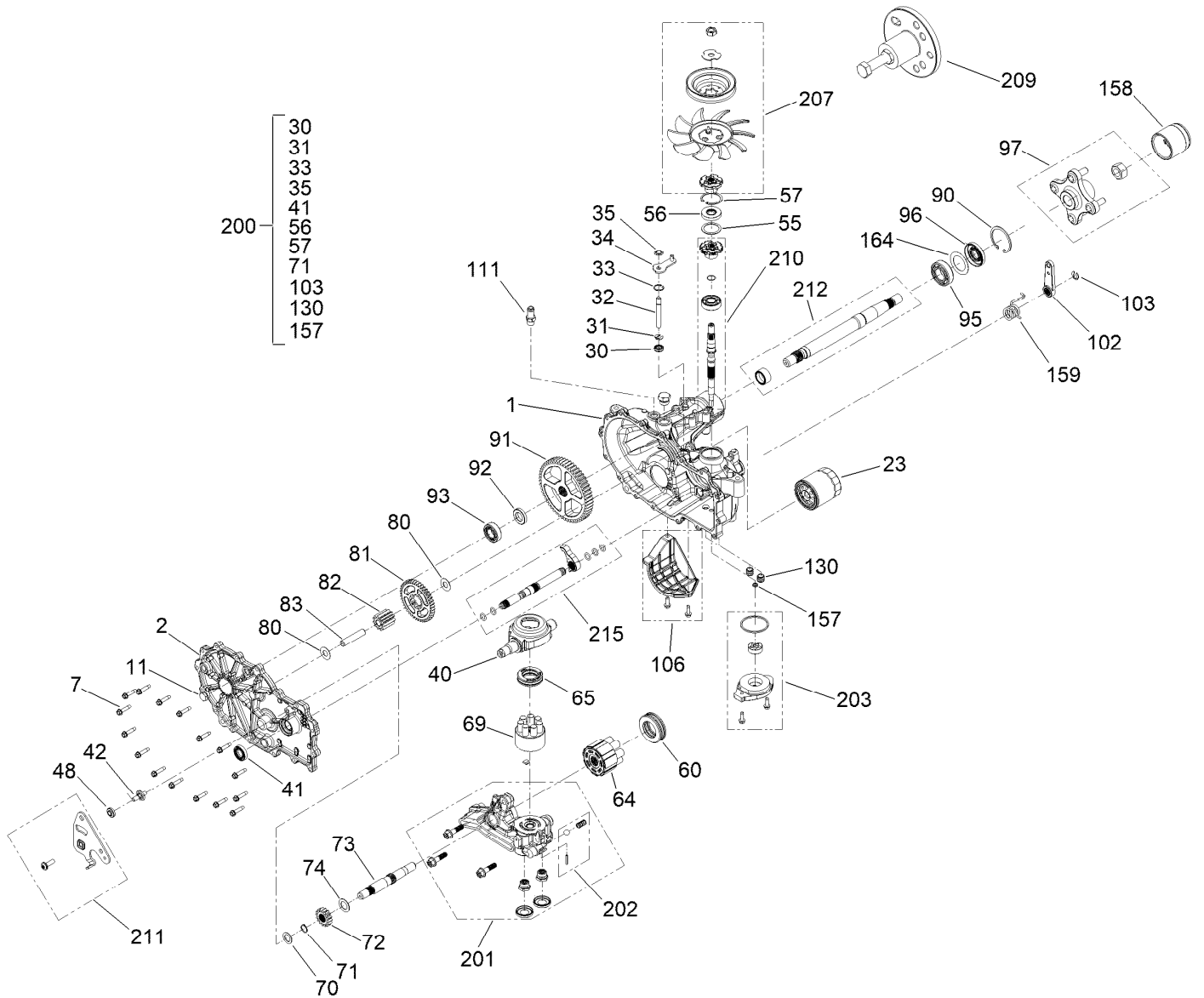


# LH Transmission Assembly No. 147-0360 (continued)

| <i>Ref.</i> | <i>Part Number</i> | <i>Qty.</i> | <i>Description</i>           | <i>Ref.</i> | <i>Part Number</i> | <i>Qty.</i> | <i>Description</i>                 |
|-------------|--------------------|-------------|------------------------------|-------------|--------------------|-------------|------------------------------------|
| 1           | 140-9493           | 1           | Kit, Main Housing RH, Charge | 81          | 125-0000           | 1           | Gear-43T                           |
| 2           | 140-9494           | 1           | Kit, Side Cover RH, Control  | 82          | 114-1693           | 1           | Gear-11T                           |
| 7           | 117-5359           | 16          | Screw-HHF                    | 83          | 104-5329           | 1           | Pin-Jackshaft                      |
| 11          | 135-1140           | 1           | Plug-Straight                | 90          | 104-2169           | 1           | Ring-Retaining                     |
| 13          | 104-2147           | 1           | Sealant ●                    | 91          | 114-1694           | 1           | Gear-54T                           |
| 23          | 109-3321           | 1           | Element-Oil Filter, HYD      | 92          | 120-7975           | 1           | Spacer                             |
| 30          | 139-7497           | 1           | Seal-Lip                     | 93          | 135-1361           | 1           | Bearing-Ball                       |
| 31          | 106-8677           | 1           | Ring-Retaining, External     | 95          | 130-8477           | 1           | Bearing-Ball                       |
| 32          | 114-1685           | 1           | Rod-Bypass                   | 96          | 104-2144           | 1           | Seal                               |
| 33          | 106-8679           | 1           | Ring-Retaining, Internal     | 97          | 116-3872           | 1           | Hub-Offset                         |
| 34          | 107-2490           | 1           | Arm-Bypass                   | 102         | 125-0021           | 1           | Handle-Brake                       |
| 35          | 106-8681           | 1           | Ring-Retaining, External     | 103         | 131-0906           | 1           | Ring-Retaining, EXT                |
| 40          | 104-5304           | 1           | Swashplate-Trunnion          | 106         | 139-7499           | 1           | Filter Guard Kit                   |
| 41          | 104-5313           | 1           | Seal-Lip                     | 111         | 109-3278           | 1           | Adapter-Straight                   |
| 42          | 104-2116           | 1           | Stud                         | 130         | 126-3251           | 2           | Tube-Charge                        |
| 48          | 139-4073           | 1           | Spacer                       | 157         | 126-1930           | 1           | Gerotor Seal Kit                   |
| 55          | 104-5308           | 1           | Spacer                       | 158         | 116-6214           | 1           | Cap-Axle, Long                     |
| 56          | 104-5310           | 1           | Seal-Lip                     | 159         | 126-2290           | 1           | Spring, Torsion CCW                |
| 57          | 104-5309           | 1           | Ring-Retaining               | 164         | 121-5745           | 1           | Spacer                             |
| 60          | 112-4154           | 1           | Bearing-Thrust               | 200         | 140-8343           | 1           | Plug                               |
| 64          | 139-4074           | 1           | Cylinder Block ASM Kit       | 201         | 114-8463           | 1           | RH Center Section Kit              |
| 65          | 94-6922            | 1           | Bearing-Thrust               | 202         | 114-8464           | 1           | Charge Relief Kit                  |
| 69          | 110-8561           | 1           | Pump Block ASM               | 203         | 114-8465           | 1           | Charge Kit                         |
| 70          | 104-5339           | 1           | Washer-Flat                  | 207         | 135-7348           | 1           | Fan And Pulley Kit                 |
| 71          | 104-5340           | 1           | Ring-Retaining               | 209         | 130-8482           | 1           | Hub Puller Kit                     |
| 72          | 121-5749           | 1           | Gear-16T                     | 210         | 139-7502           | 1           | Input Shaft Kit                    |
| 73          | 114-1691           | 1           | Shaft-Motor                  | 211         | 139-4094           | 1           | Kit, Control Arm                   |
| 74          | 104-5360           | 1           | Washer                       | 212         | 114-8470           | 1           | Axle Shaft Kit                     |
| 80          | 119-5541           | 2           | Washer                       | 215         | 140-9497           | 1           | Kit, Outboard, RH Rot A / LH Rot B |

● Not illustrated

# RH Transmission Assembly No. 147-0361

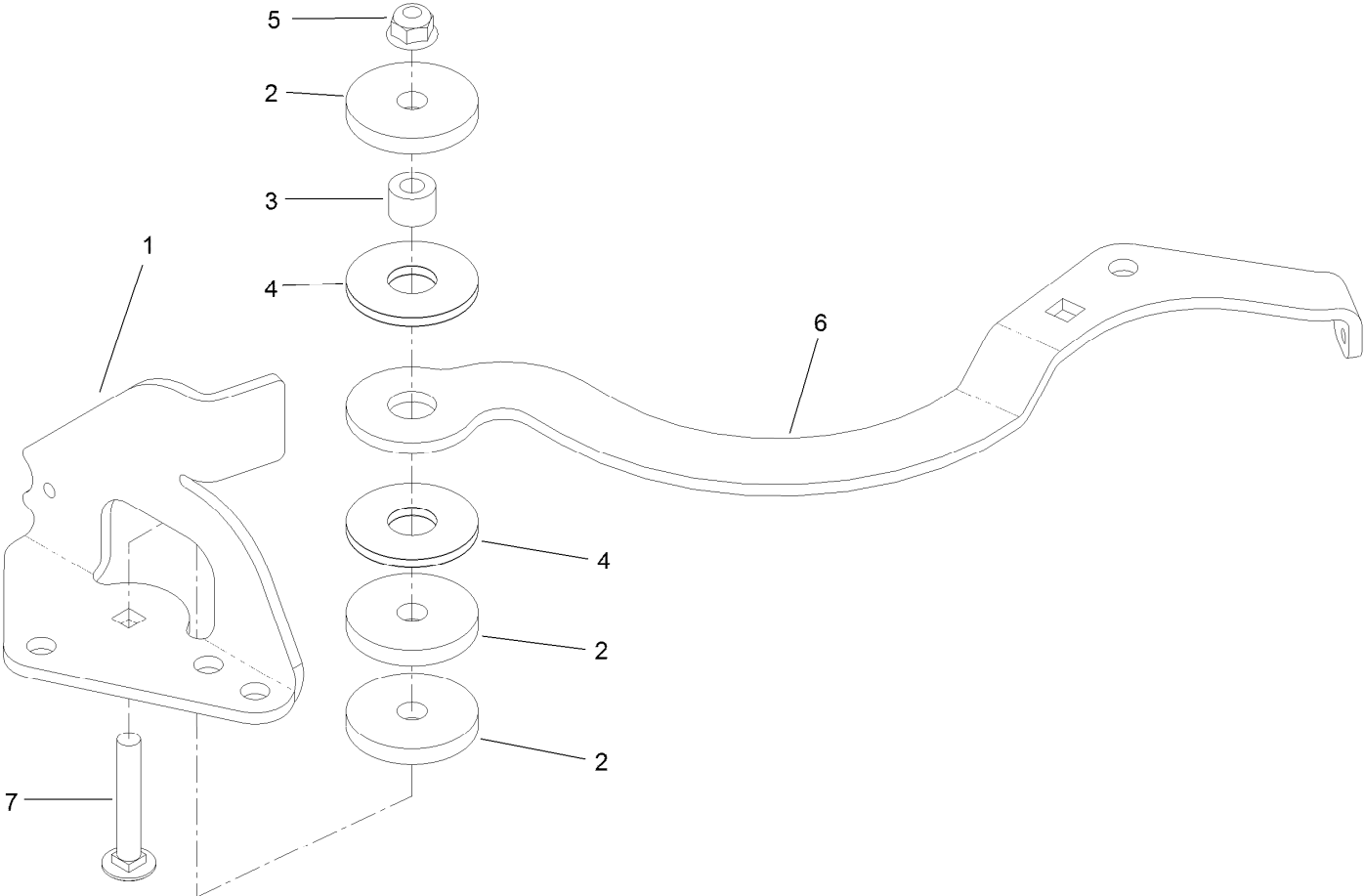


# RH Transmission Assembly No. 147-0361 (continued)

| <i>Ref.</i> | <i>Part Number</i> | <i>Qty.</i> | <i>Description</i>           | <i>Ref.</i> | <i>Part Number</i> | <i>Qty.</i> | <i>Description</i>                 |
|-------------|--------------------|-------------|------------------------------|-------------|--------------------|-------------|------------------------------------|
| 1           | 140-9495           | 1           | Kit, Main Housing LH, Charge | 81          | 125-0000           | 1           | Gear-43T                           |
| 2           | 140-9496           | 1           | Kit, Side Cover LH, Control  | 82          | 114-1693           | 1           | Gear-11T                           |
| 7           | 117-5359           | 16          | Screw-HHF                    | 83          | 104-5329           | 1           | Pin-Jackshaft                      |
| 11          | 135-1140           | 1           | Plug-Straight                | 90          | 104-2169           | 1           | Ring-Retaining                     |
| 13          | 104-2147           | 1           | Sealant ●                    | 91          | 114-1694           | 1           | Gear-54T                           |
| 23          | 109-3321           | 1           | Element-Oil Filter, HYD      | 92          | 120-7975           | 1           | Spacer                             |
| 30          | 139-7497           | 1           | Seal-Lip                     | 93          | 135-1361           | 1           | Bearing-Ball                       |
| 31          | 106-8677           | 1           | Ring-Retaining, External     | 95          | 120-7976           | 1           | Bearing-Ball                       |
| 32          | 114-1685           | 1           | Rod-Bypass                   | 96          | 104-2144           | 1           | Seal                               |
| 33          | 106-8679           | 1           | Ring-Retaining, Internal     | 97          | 116-3872           | 1           | Hub-Offset                         |
| 34          | 112-9852           | 1           | Arm-Bypass                   | 102         | 125-0021           | 1           | Handle-Brake                       |
| 35          | 106-8681           | 1           | Ring-Retaining, External     | 103         | 131-0906           | 1           | Ring-Retaining, EXT                |
| 40          | 104-5304           | 1           | Swashplate-Trunnion          | 106         | 139-7498           | 1           | Filter Guard Kit                   |
| 41          | 104-5313           | 1           | Seal-Lip                     | 111         | 109-3278           | 1           | Adapter-Straight                   |
| 42          | 104-2116           | 1           | Stud                         | 130         | 126-3251           | 2           | Tube-Charge                        |
| 48          | 139-4073           | 1           | Spacer                       | 157         | 126-1930           | 1           | Gerotor Seal Kit                   |
| 55          | 104-5308           | 1           | Spacer                       | 158         | 116-6214           | 1           | Cap-Axle, Long                     |
| 56          | 104-5310           | 1           | Seal-Lip                     | 159         | 139-4099           | 1           | Spring, Torsion, CW                |
| 57          | 104-5309           | 1           | Ring-Retaining               | 164         | 121-5745           | 1           | Spacer                             |
| 60          | 112-4154           | 1           | Bearing-Thrust               | 200         | 140-8343           | 1           | Plug                               |
| 64          | 139-4074           | 1           | Cylinder Block ASM Kit       | 201         | 114-8476           | 1           | LH Center Section Kit              |
| 65          | 94-6922            | 1           | Bearing-Thrust               | 202         | 114-8464           | 1           | Charge Relief Kit                  |
| 69          | 110-8561           | 1           | Pump Block ASM               | 203         | 114-8465           | 1           | Charge Kit                         |
| 70          | 104-5339           | 1           | Washer-Flat                  | 207         | 135-7348           | 1           | Fan And Pulley Kit                 |
| 71          | 104-5340           | 1           | Ring-Retaining               | 209         | 130-8482           | 1           | Hub Puller Kit                     |
| 72          | 121-5749           | 1           | Gear-16T                     | 210         | 139-7502           | 1           | Input Shaft Kit                    |
| 73          | 114-1691           | 1           | Shaft-Motor                  | 211         | 139-7866           | 1           | Kit, Arm, Control                  |
| 74          | 104-5360           | 1           | Washer                       | 212         | 114-8470           | 1           | Axle Shaft Kit                     |
| 80          | 119-5541           | 2           | Washer                       | 215         | 140-9498           | 1           | Kit, Outboard, RH Rot B / LH Rot A |

● Not illustrated

# Idler Arm Pivot Assembly No. 138-1027





## Idler Arm Pivot Assembly No. 138-1027 (continued)

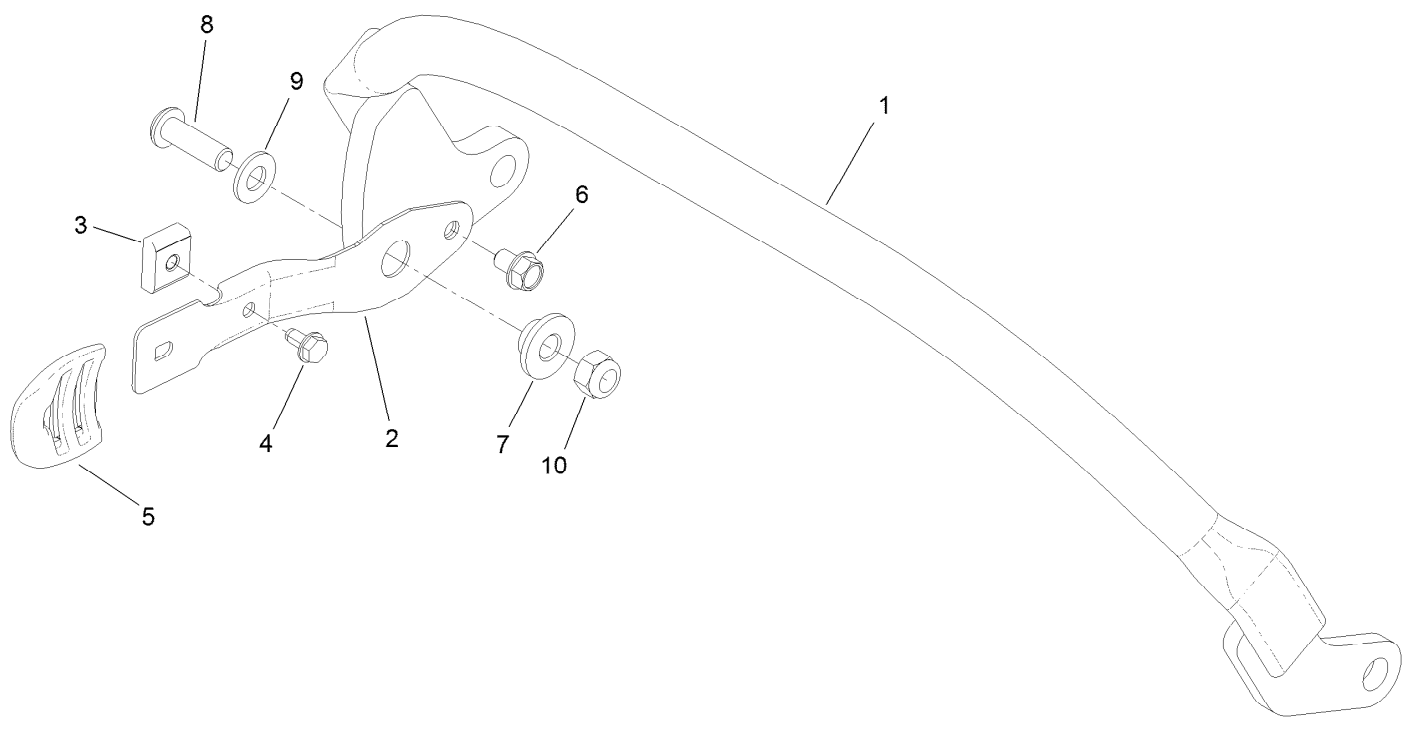
| <i>Ref.</i> | <i>Part Number</i> | <i>Qty.</i> | <i>Description</i>         | <i>Ref.</i> | <i>Part Number</i> | <i>Qty.</i> | <i>Description</i> |
|-------------|--------------------|-------------|----------------------------|-------------|--------------------|-------------|--------------------|
| 1           | 138-6819           | 1           | Mount-Idler                | 5           | 104-8300           | 1           | Nut-HF, NI         |
| 2           | 110-9981           | 3           | Washer-Plain               | 6           | 139-4027           | 1           | Arm-Idler          |
| 3           | 114-8549           | 1           | Bushing                    | 7           | 126-0699           | 1           | Bolt-CARR          |
| 4           | 114-0463           | 2           | Washer-Friction, Composite |             |                    |             |                    |



## Operator Control Assembly (continued)

| <i>Ref.</i> | <i>Part Number</i> | <i>Qty.</i> | <i>Description</i>       | <i>Ref.</i> | <i>Part Number</i> | <i>Qty.</i> | <i>Description</i>  |
|-------------|--------------------|-------------|--------------------------|-------------|--------------------|-------------|---------------------|
| 1           | 139-2850           | 1           | Tower ASM                | 15          | 103-5752           | 4           | Stud-Ball           |
| 1:3         | 138-8816           | 1           | Decal-OPC Control, Left  | 16          | 3296-72            | 4           | Nut-Lock, NI        |
| 1:4         | 138-8818           | 1           | Decal-Warning, Control   | 17          | 121-2608           | 2           | Spacer              |
| 1:5         | 139-2874           | 1           | Decal-OPC Control, Right | 18          | 323-29             | 2           | Screw-HH            |
| 2           | 139-1475           | 1           | Reference Bar Assembly   | 19          | 3296-59            | 2           | Nut-Lock, NI        |
| 3           | 139-1532           | 1           | Control Handle ASM, RH   | 20          | 104-7201           | 2           | Nut-HF, NI          |
| 4           | 139-1487           | 1           | Control Handle ASM, LH   | 21          | 3229-1             | 2           | Screw-CARR          |
| 5           | 126-2107           | 1           | Cable, Choke             | 22          | 126-1499           | 2           | Cam                 |
| 6           | 109-3958           | 1           | Control-Throttle         | 23          | 49-2040            | 2           | Screw-HWHTF         |
| 7           | 3229-34            | 2           | Screw-CARR               | 24          | 82-2190            | 2           | Switch-Bail         |
| 8           | 3296-2             | 2           | Nut-Lock, NI             | 25          | 139-4032           | 1           | Control Rod ASM, RH |
| 9           | 3231-22            | 4           | Screw-CARR               | 26          | 139-4037           | 1           | Control Rod ASM, LH |
| 10          | 104-8301           | 4           | Nut-HF, NI               | 27          | 140-4253           | 1           | Decal-Proline, LH   |
| 11          | 119-1065           | 2           | Screw-HWH                | 28          | 140-4254           | 1           | Decal-Proline, RH   |
| 13          | 138-9753           | 6           | Screw                    | 31          | 140-4251-03        | 1           | Plate-Cover         |
| 14          | 139-1523           | 2           | Damper                   | 32          | 1-303335           | 3           | Tie-Plastic         |

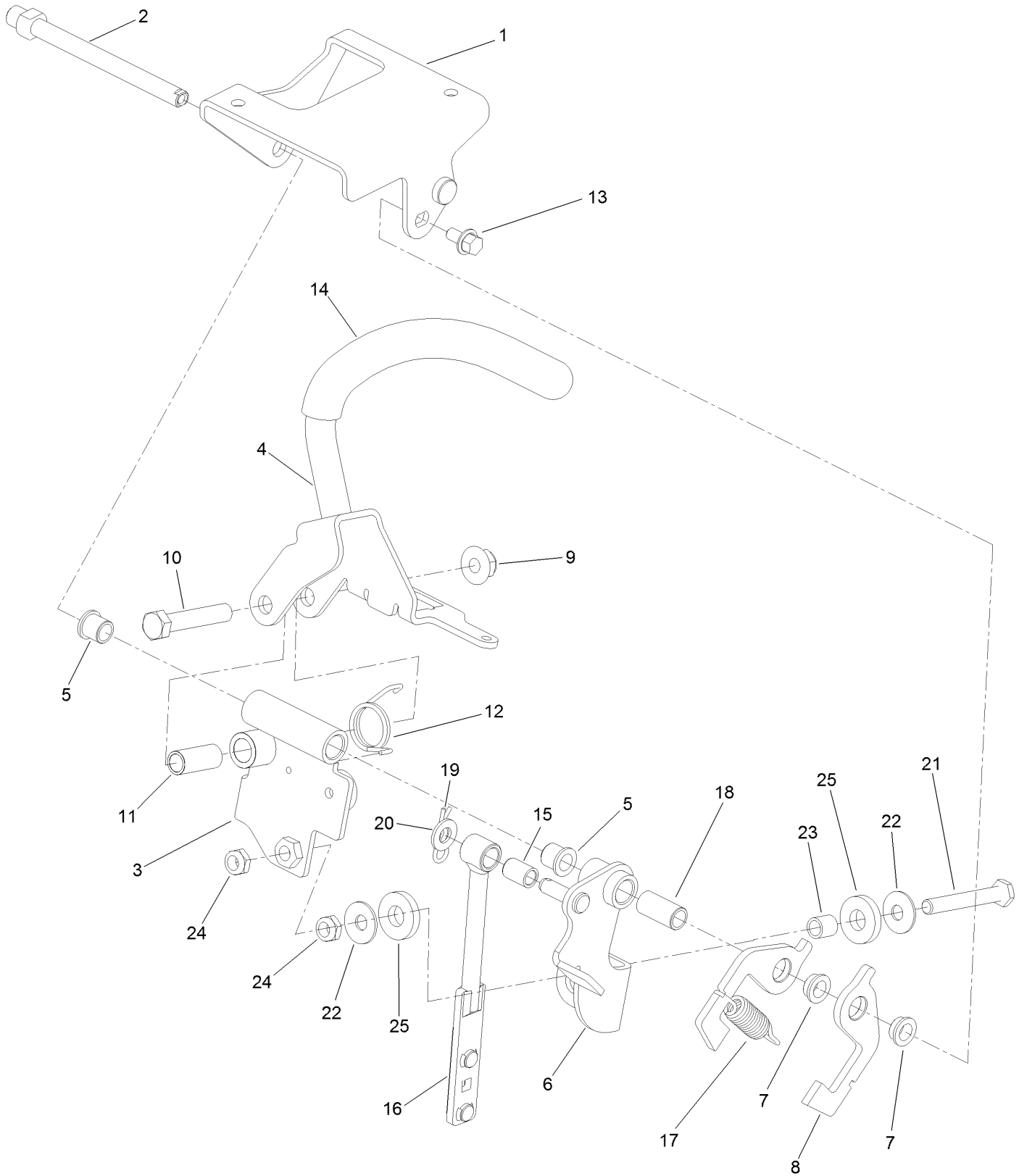
# Reference Bar Assembly No. 139-1475



## Reference Bar Assembly No. 139-1475 (continued)

| <i>Ref.</i> | <i>Part Number</i> | <i>Qty.</i> | <i>Description</i> | <i>Ref.</i> | <i>Part Number</i> | <i>Qty.</i> | <i>Description</i>     |
|-------------|--------------------|-------------|--------------------|-------------|--------------------|-------------|------------------------|
| 1           | 139-2855-01        | 1           | Reference Bar      | 6           | 99-8445            | 1           | Screw-HWH              |
| 2           | 121-1431-03        | 1           | Arm-Spring         | 7           | 117-5991           | 1           | Washer-Stepped, Baffle |
| 3           | 131-5377           | 1           | Key-Arm, Spring    | 8           | 119-6903           | 1           | Screw-HSBH             |
| 4           | 104-2065           | 1           | Screw-HWH          | 9           | 120-9683           | 1           | Washer-Plain           |
| 5           | 125-1093           | 1           | Knob-Lever, HOC    | 10          | 3296-72            | 1           | Nut-Lock, NI           |

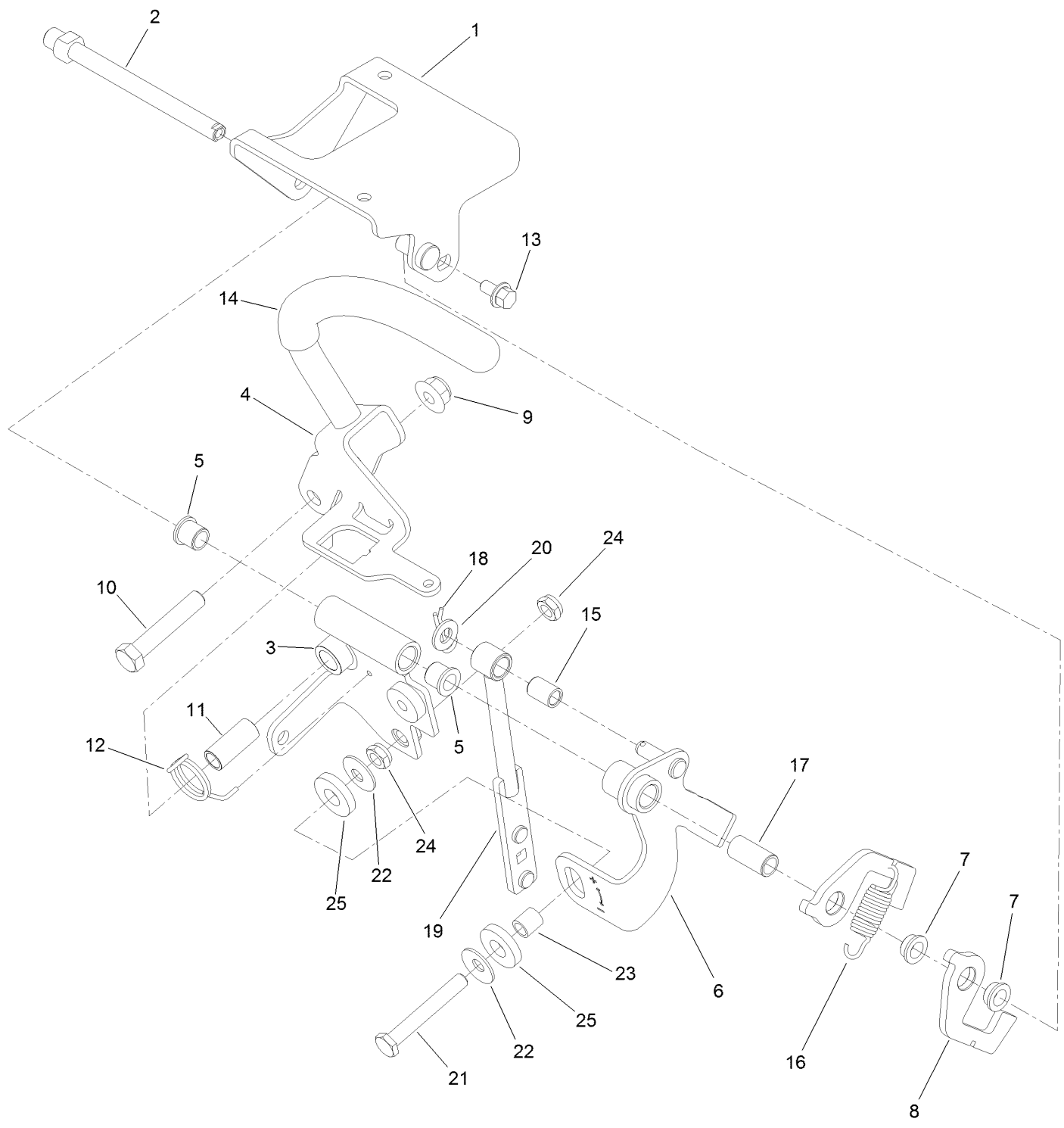
# RH Control Handle Assembly No. 139-1532



## RH Control Handle Assembly No. 139-1532 (continued)

| <i>Ref.</i> | <i>Part Number</i> | <i>Qty.</i> | <i>Description</i>    | <i>Ref.</i> | <i>Part Number</i> | <i>Qty.</i> | <i>Description</i>   |
|-------------|--------------------|-------------|-----------------------|-------------|--------------------|-------------|----------------------|
| 1           | 139-2852           | 1           | Bracket-Mount, RH     | 14          | 139-2863           | 1           | Grip-Handle          |
| 2           | 139-1486           | 1           | Pin-Pivot             | 15          | 139-2869           | 1           | Bushing              |
| 3           | 139-1535           | 1           | Motion Control ASM RH | 16          | 139-2917           | 1           | Control Rod Assembly |
| 4           | 139-1540           | 1           | RH Lever ASM          | 17          | 139-2859           | 1           | Spring-Extension     |
| 5           | 103-9928           | 2           | Bearing               | 18          | 139-2875           | 1           | Bushing              |
| 6           | 139-2903           | 1           | Motion Control ASM RH | 19          | 1-806003           | 1           | Pin-Cotter           |
| 7           | 139-1525           | 2           | Bushing-Flanged Nylon | 20          | 3256-23            | 1           | Washer-Plain         |
| 8           | 139-1513           | 2           | Plate-Spring          | 21          | 9114524            | 1           | Bolt-TAP, HH         |
| 9           | 104-8301           | 1           | Nut-HF, NI            | 22          | 3290-456           | 2           | Washer-Belleville    |
| 10          | 323-10             | 1           | Screw-HH              | 23          | 139-7876           | 1           | Spacer               |
| 11          | 131-3562           | 1           | Bearing-Sleeve        | 24          | 3296-47            | 2           | Nut-Lock,NI          |
| 12          | 139-1538           | 1           | Spring-Torsion        | 25          | 139-7883           | 2           | Washer-Rubber        |
| 13          | 3234-13            | 1           | Screw-HHF             |             |                    |             |                      |

# LH Control Handle Assembly No. 139-1487

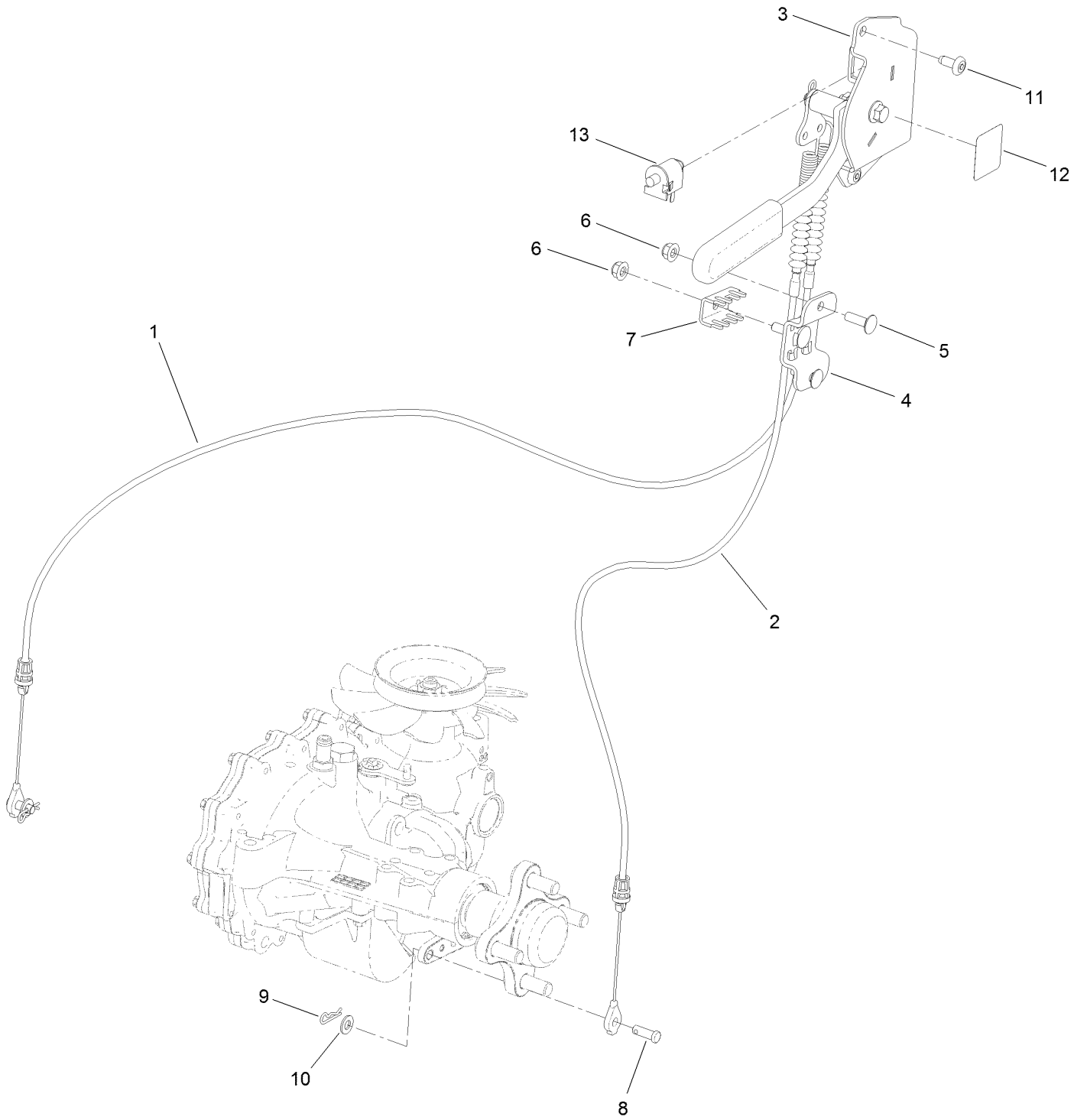




# LH Control Handle Assembly No. 139-1487 (continued)

| <i>Ref.</i> | <i>Part Number</i> | <i>Qty.</i> | <i>Description</i>    | <i>Ref.</i> | <i>Part Number</i> | <i>Qty.</i> | <i>Description</i>   |
|-------------|--------------------|-------------|-----------------------|-------------|--------------------|-------------|----------------------|
| 1           | 139-2851           | 1           | Bracket-Mount, LH     | 14          | 139-2863           | 1           | Grip-Handle          |
| 2           | 139-1486           | 1           | Pin-Pivot             | 15          | 139-2869           | 1           | Bushing              |
| 3           | 139-1490           | 1           | Motion Control ASM LH | 16          | 139-2859           | 1           | Spring-Extension     |
| 4           | 139-1495           | 1           | LH Lever ASM          | 17          | 139-2875           | 1           | Bushing              |
| 5           | 103-9928           | 2           | Bearing               | 18          | 1-806003           | 1           | Pin-Cotter           |
| 6           | 139-2865           | 1           | Motion Control ASM LH | 19          | 139-2917           | 1           | Control Rod Assembly |
| 7           | 139-1525           | 2           | Bushing-Flanged Nylon | 20          | 3256-23            | 1           | Washer-Plain         |
| 8           | 139-1513           | 2           | Plate-Spring          | 21          | 9114524            | 1           | Bolt-TAP, HH         |
| 9           | 104-8301           | 1           | Nut-HF, NI            | 22          | 3290-456           | 2           | Washer-Belleville    |
| 10          | 323-10             | 1           | Screw-HH              | 23          | 139-7876           | 1           | Spacer               |
| 11          | 131-3562           | 1           | Bearing-Sleeve        | 24          | 3296-47            | 2           | Nut-Lock,NI          |
| 12          | 139-1508           | 1           | Spring-Torsion        | 25          | 139-7883           | 2           | Washer-Rubber        |
| 13          | 3234-13            | 1           | Screw-HHF             |             |                    |             |                      |

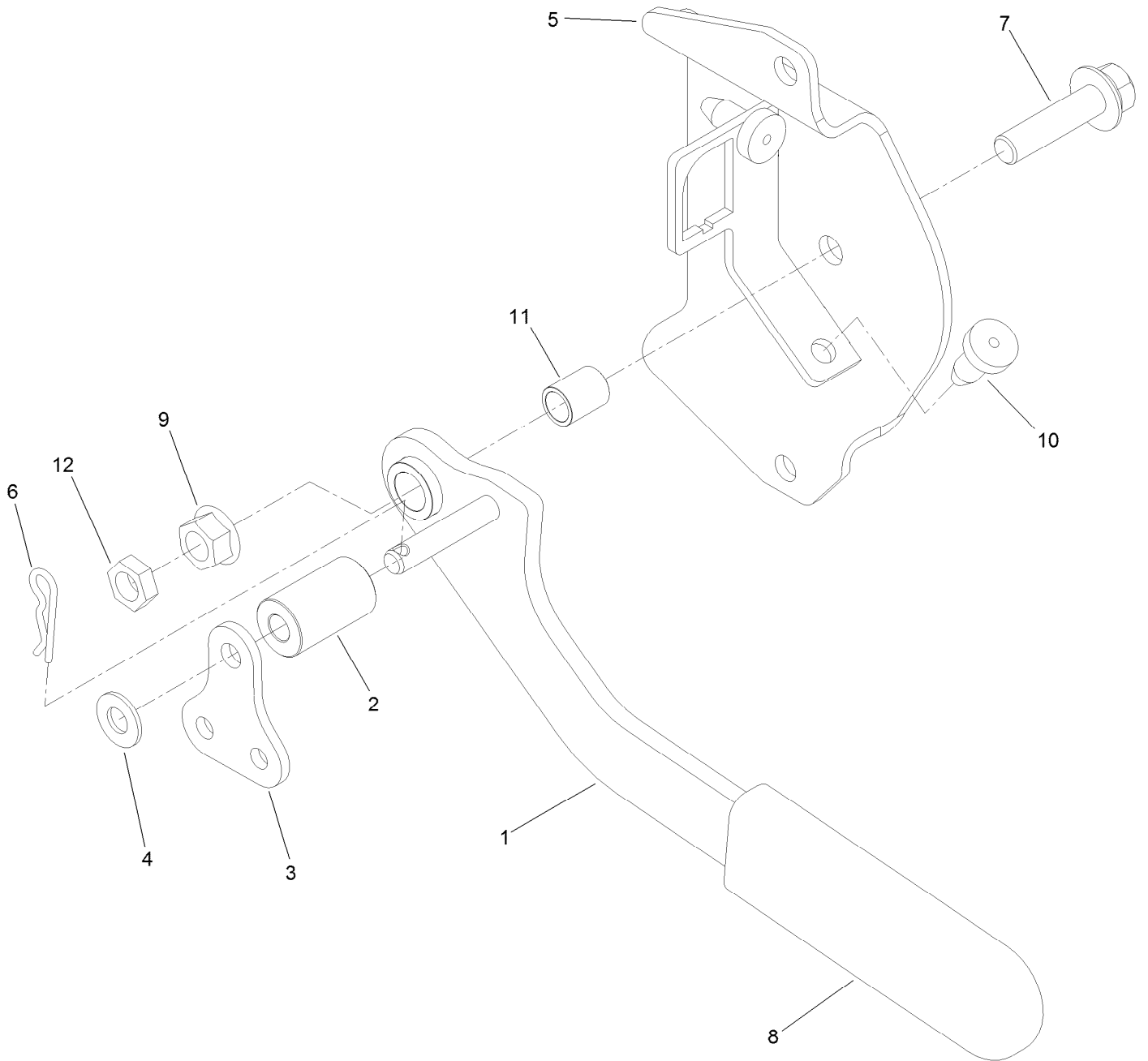
# Brake Assembly



## Brake Assembly (continued)

| <i>Ref.</i> | <i>Part Number</i> | <i>Qty.</i> | <i>Description</i> | <i>Ref.</i> | <i>Part Number</i> | <i>Qty.</i> | <i>Description</i>   |
|-------------|--------------------|-------------|--------------------|-------------|--------------------|-------------|----------------------|
| 1           | 138-5841           | 1           | Cable-Brake        | 8           | 283-75             | 2           | Pin-Clevis           |
| 2           | 138-5842           | 1           | Cable-Brake        | 9           | 1-806003           | 2           | Pin-Cotter           |
| 3           | 138-5844           | 1           | Brake Assembly     | 10          | 3256-23            | 2           | Washer-Plain         |
| 4           | 132-7582           | 1           | Mount-Cable, Brake | 11          | 138-9753           | 2           | Screw                |
| 5           | 3230-28            | 2           | Screw-CARR         | 12          | 116-5988           | 1           | Decal-Park Brake, CE |
| 6           | 104-8300           | 3           | Nut-HF, NI         | 13          | 82-2190            | 1           | Switch-Bail          |
| 7           | 132-1187           | 1           | Clamp-Cable        |             |                    |             |                      |

# Brake Assembly No. 138-5844

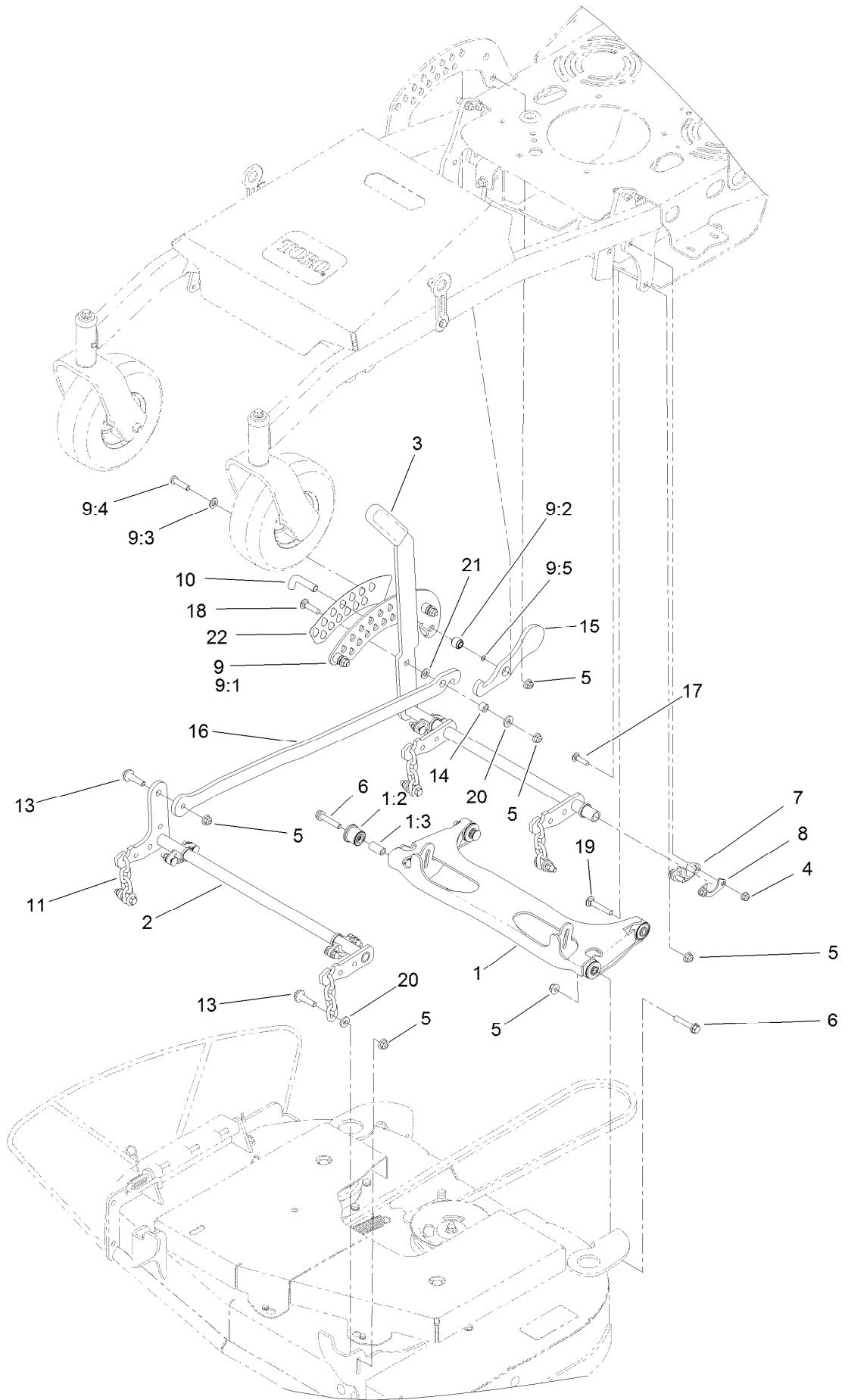


## Brake Assembly No. 138-5844 (continued)

| <i>Ref.</i> | <i>Part Number</i> | <i>Qty.</i> | <i>Description</i> |
|-------------|--------------------|-------------|--------------------|
| 1           | 138-5845           | 1           | Handle-Brake       |
| 2           | 77-3180            | 1           | Spacer             |
| 3           | 138-6870           | 1           | Yoke-Cable         |
| 4           | 93-6079            | 1           | Spacer-Nylon       |
| 5           | 138-8815           | 1           | Bracket ASM-Brake  |
| 6           | 1-806003           | 1           | Pin-Cotter         |

| <i>Ref.</i> | <i>Part Number</i> | <i>Qty.</i> | <i>Description</i> |
|-------------|--------------------|-------------|--------------------|
| 7           | 114-4681           | 1           | Screw-HHF          |
| 8           | 1-633268           | 1           | Grip-Lever         |
| 9           | 32128-21           | 1           | Nut-HF Lock        |
| 10          | 87-8460            | 2           | Bumper-Rubber      |
| 11          | 139-2942           | 1           | Bearing-Sleeve     |
| 12          | 3218-3             | 1           | Nut-Jam            |

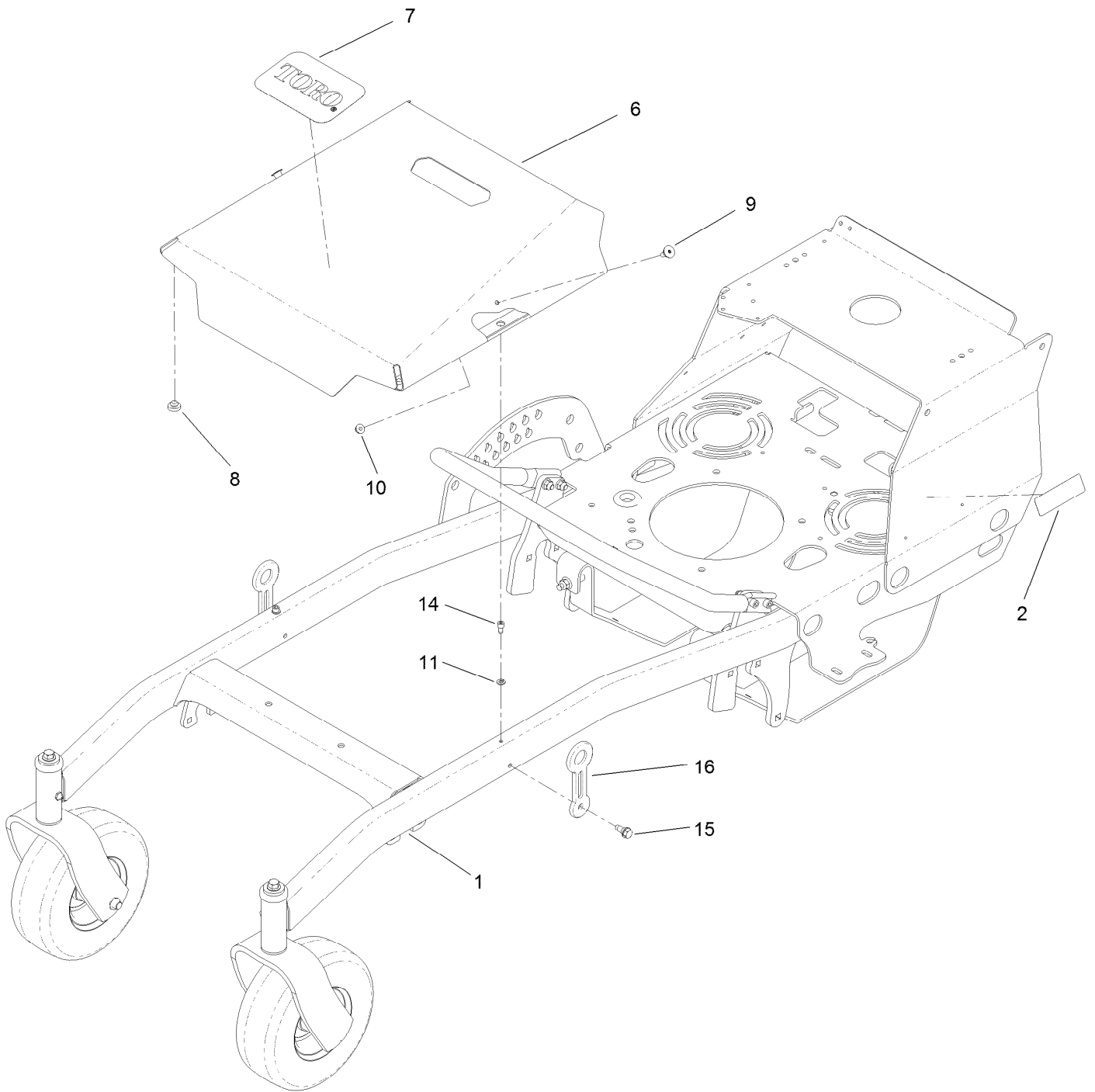
# Deck Lift Assembly



## Deck Lift Assembly (continued)

| <i>Ref.</i> | <i>Part Number</i> | <i>Qty.</i> | <i>Description</i>            | <i>Ref.</i> | <i>Part Number</i> | <i>Qty.</i> | <i>Description</i>     |
|-------------|--------------------|-------------|-------------------------------|-------------|--------------------|-------------|------------------------|
| 1           | 138-5868           | 1           | Deck Strut ASM                | 9:4         | 95-3857            | 3           | Screw-HSBH             |
| 1:2         | 126-8360           | 4           | Bushing-Rubber,<br>Suspension | 9:5         | 237-21             | 3           | O-Ring                 |
| 1:3         | 108-6544           | 4           | Spacer                        | 10          | 138-7203           | 1           | Pin-HOC                |
| 2           | 138-5864           | 1           | Pivot ASM-Front               | 11          | 138-7205           | 4           | Chain-Decklift, 4-Link |
| 3           | 138-6868           | 1           | Pivot ASM                     | 13          | 130-0742           | 5           | Bolt-Shoulder          |
| 4           | 104-8300           | 8           | Nut-HF, NI                    | 14          | 115-4986           | 1           | Spacer                 |
| 5           | 104-8301           | 13          | Nut-HF, NI                    | 15          | 138-5860           | 1           | Lever-Lock             |
| 6           | 108-3742           | 2           | Screw-HHF                     | 16          | 138-5875-03        | 1           | Link-HOC               |
| 7           | 139-5872           | 4           | Bearing-Flange                | 17          | 3230-3             | 8           | Screw-CARR             |
| 8           | 138-7204           | 4           | Gusset-Deck Lift              | 18          | 3231-4             | 1           | Screw-CARR             |
| 9           | 138-6890           | 1           | HOC Standoff ASM              | 19          | 3231-7             | 2           | Screw-CARR             |
| 9:1         | 138-1009           | 1           | Plate - HOC                   | 20          | 138-7207           | 5           | Spacer-Hub, Blower     |
| 9:2         | 138-7201           | 3           | Spacer-Double Step            | 21          | 48-9220            | 1           | Washer-Flat            |
| 9:3         | 48-9220            | 3           | Washer-Flat                   | 22          | 138-8821           | 1           | Decal-HOC              |

# Hood Assembly



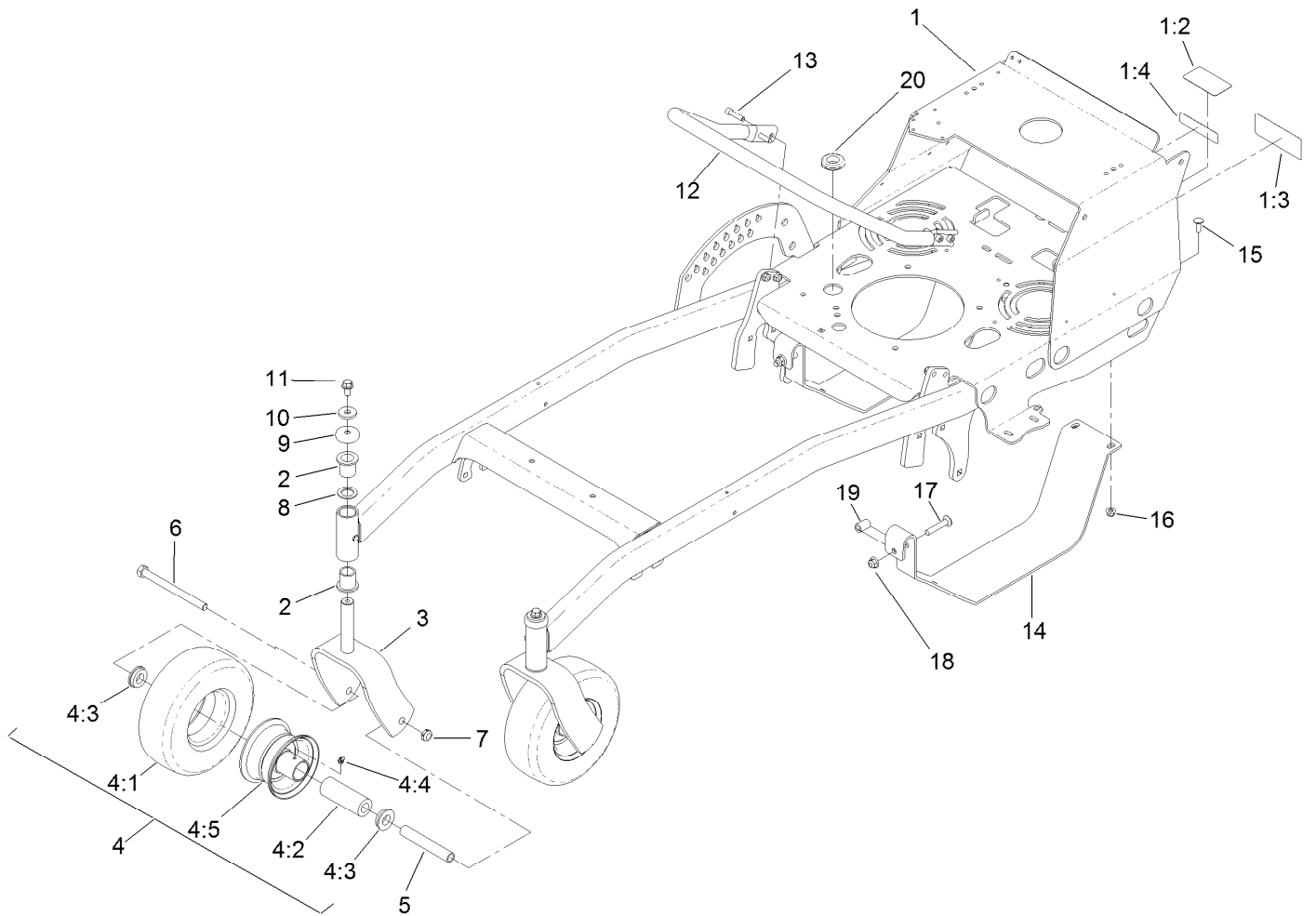


## Hood Assembly (continued)

| <i>Ref.</i> | <i>Part Number</i> | <i>Qty.</i> | <i>Description</i>        | <i>Ref.</i> | <i>Part Number</i> | <i>Qty.</i> | <i>Description</i>           |
|-------------|--------------------|-------------|---------------------------|-------------|--------------------|-------------|------------------------------|
| 1           |                    | 1           | Frame Assembly ●          | 10          | 104-7201           | 2           | Nut-HF, NI                   |
| 2           | 140-0183           | 1           | Decal-Emissions, Epa 2020 | 11          | 3253-3             | 2           | Washer-Lock                  |
| 6           | 140-4332-03        | 1           | Cover-Deck                | 14          | 65-5220            | 2           | Screw-HSH, Thread<br>Forming |
| 7           | 99-4693            | 1           | Decal                     | 15          | 126-4424           | 2           | Screw-Shoulder               |
| 8           | 1-513658           | 4           | Bumper                    | 16          | ST47182            | 2           | Latch-Rubber                 |
| 9           | 125-1122           | 2           | Screw                     |             |                    |             |                              |

● Not serviced separately

# Frame Assembly

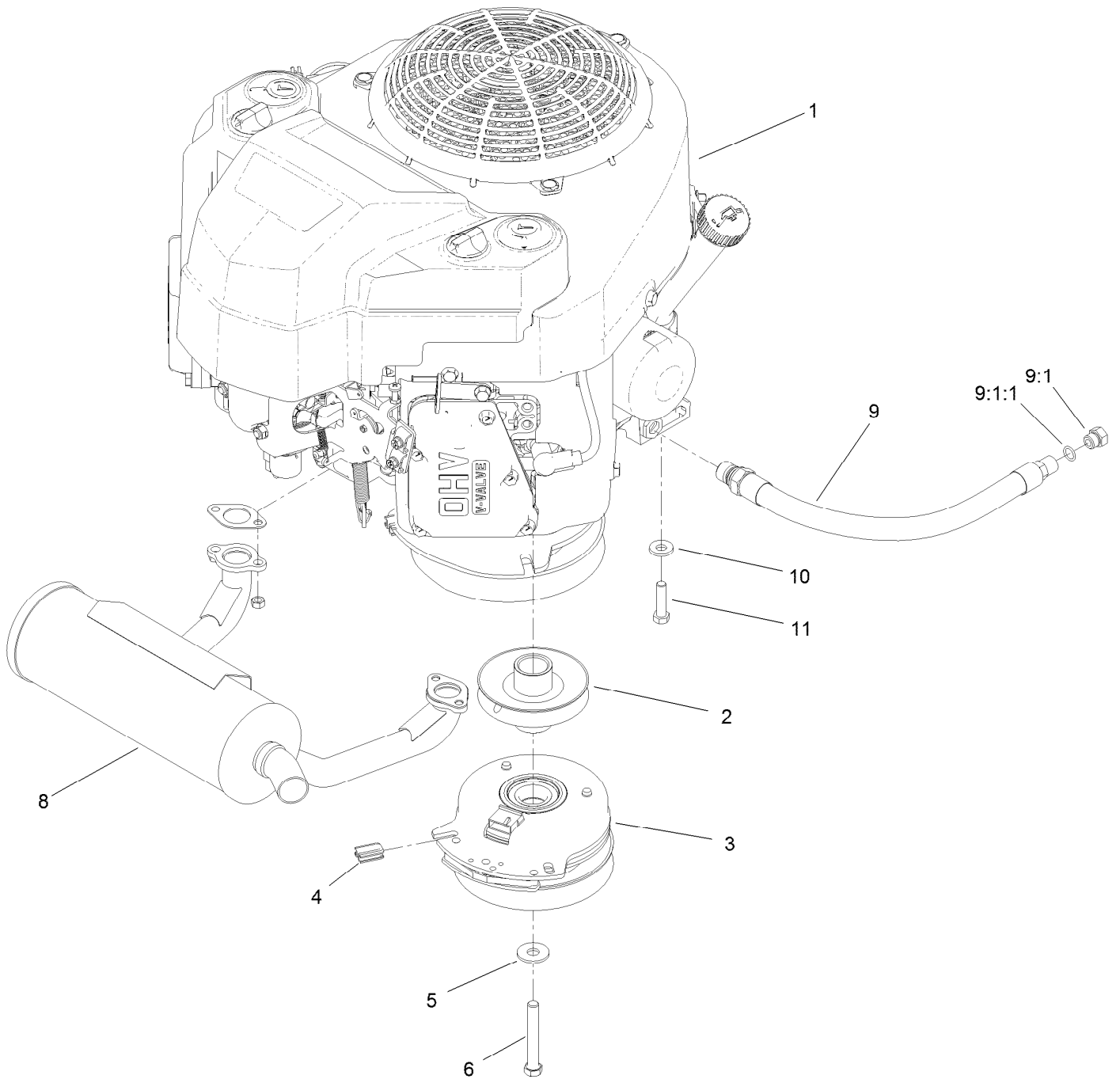


## Frame Assembly (continued)

| <i>Ref.</i> | <i>Part Number</i> | <i>Qty.</i> | <i>Description</i>                | <i>Ref.</i> | <i>Part Number</i> | <i>Qty.</i> | <i>Description</i>  |
|-------------|--------------------|-------------|-----------------------------------|-------------|--------------------|-------------|---------------------|
| 1           | 140-1864           | 1           | Frame ASM                         | 7           | 3296-45            | 2           | Nut-Hex             |
| 1:2         | 138-8820           | 1           | Decal - Bypass                    | 8           | 3-7898             | 2           | Washer-Thrust       |
| 1:3         | 126-1400           | 1           | Decal-Warning, Sulky              | 9           | 126-1425           | 2           | Cap, Dust           |
| 1:4         | 98-1977            | 1           | Decal-Warning                     | 10          | 1-373034           | 2           | Washer              |
| 2           | 1-303514           | 4           | Bearing-Flanged                   | 11          | 110-1718           | 2           | Screw-HHF           |
| 3           | 116-7941-01        | 2           | Fork, Caster                      | 12          | 138-5880-03        | 1           | Tube, Muffler Guard |
| 4           | 140-4285           | 2           | Wheel And Tire ASM                | 13          | 3274-18            | 4           | Screw-HSH           |
| 4:1         |                    | 1           | Tire ●                            | 14          | 138-6816-03        | 2           | Guard-Transmission  |
| 4:2         | 1-513809           | 1           | Bearing                           | 15          | 3230-10            | 4           | Bolt-CARR           |
| 4:3         | 1-513810           | 2           | Bushing                           | 16          | 104-8300           | 8           | Nut-HF, NI          |
| 4:4         | 302-61             | 1           | Fitting-Grease                    | 17          | 117-9971           | 2           | Bolt-Carriage       |
| 4:5         |                    | 1           | Wheel - 4 X 2.25 X 4.25<br>Tube ● | 18          | 104-8301           | 2           | Nut-HF, NI          |
| 5           | 1-513547           | 2           | Spacer                            | 19          | 114-2754           | 2           | Spacer              |
| 6           | 325-20             | 2           | Screw-HH                          | 20          | 1-543286           | 1           | Grommet             |

● Not serviced separately

# Engine Assembly



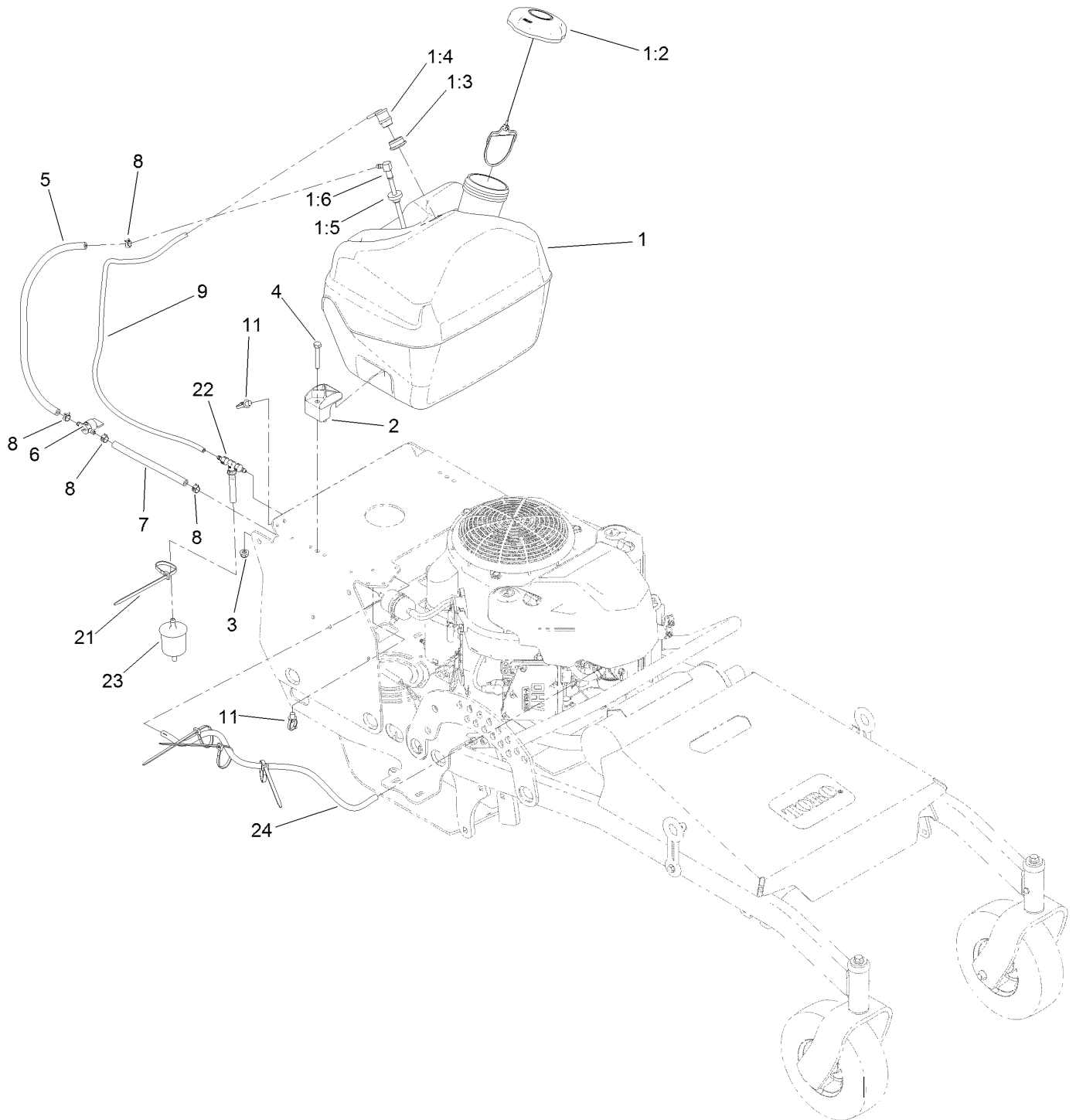
## Engine Assembly (continued)

| <i>Ref.</i> | <i>Part Number</i> | <i>Qty.</i> | <i>Description</i>        | <i>Ref.</i> | <i>Part Number</i> | <i>Qty.</i> | <i>Description</i>        |
|-------------|--------------------|-------------|---------------------------|-------------|--------------------|-------------|---------------------------|
| 1           | 140-1903           | 1           | Engine-Kawasaki, Fs481V ■ | 8           | 116-3735           | 1           | Muffler-Horizontal        |
| 2           | 139-2879           | 1           | Pulley                    | 9           | 116-5052           | 1           | Asm-Oil Drain Hose W/Plug |
| 3           | 127-3408           | 1           | Clutch-PTO                | 9:1         | 353-508            | 1           | Plug-HH ●                 |
| 4           | 120-2217           | 1           | Isolator-Clutch           | 9:1:1       | 237-42             | 1           | O-Ring                    |
| 5           | 94-2701            | 1           | Washer-Hardened           | 10          | 98-5975            | 3           | Washer-Belleville         |
| 6           | 126-7198           | 1           | Screw-HH W/Loctite        | 11          | 323-8              | 4           | Screw-HH                  |

● Torque to 20-24 ft-lb

■ Obtain parts from [www.kawpower.com](http://www.kawpower.com)

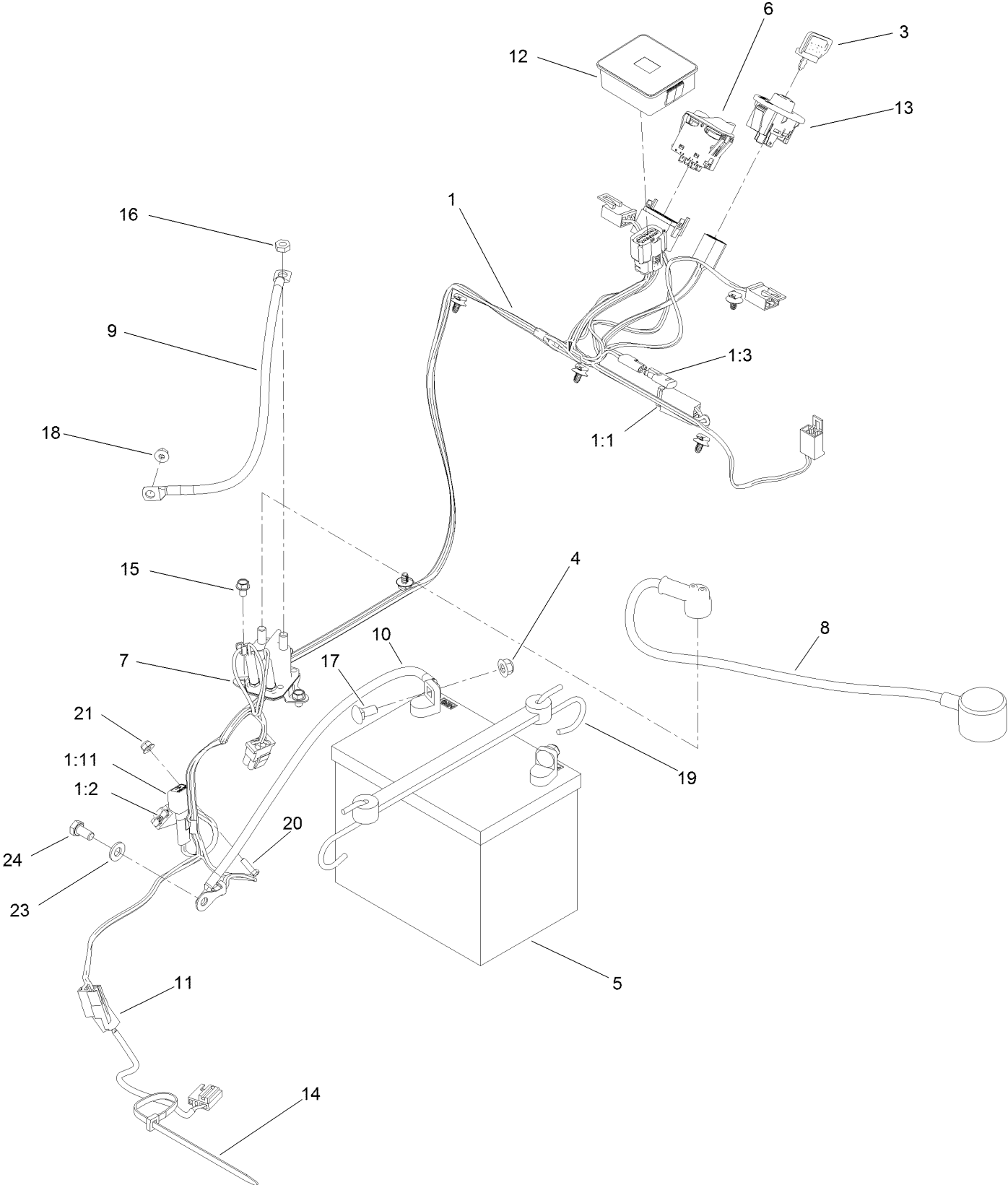
# Fuel System Assembly



## Fuel System Assembly (continued)

| <i>Ref.</i> | <i>Part Number</i> | <i>Qty.</i> | <i>Description</i>                  | <i>Ref.</i> | <i>Part Number</i> | <i>Qty.</i> | <i>Description</i> |
|-------------|--------------------|-------------|-------------------------------------|-------------|--------------------|-------------|--------------------|
| 1           | 140-4343           | 1           | Fuel Tank ASM, 5 Gal                | 5           | 114-4428           | 1           | Hose-Fuel          |
| 1:2         | 137-4119           | 1           | Cap-Fuel, Ratcheting                | 6           | 1-603770           | 1           | Valve-Fuel         |
| 1:3         | 114-0284           | 1           | Grommet                             | 7           | 110-1876           | 1           | Hose-Fuel          |
| 1:4         | 119-3547           | 1           | Valve-Vent, Fuel                    | 8           | 2412-98            | 4           | Clamp-Hose         |
| 1:5         | 46-6560            | 1           | Bushing                             | 9           | 138-8837           | 1           | Hose, Emissions    |
| 1:6         | 109-9364           | 1           | Fitting-Fuel (W/Line And<br>Screen) | 11          | 32180-030          | 2           | Clip-Tie           |
| 2           | 107-4543           | 2           | Clamp                               | 21          | 1-303335           | 4           | Tie-Plastic        |
| 3           | 104-8300           | 2           | Nut-HF, NI                          | 22          | 116-5464           | 1           | Tee And Check      |
| 4           | 322-10             | 2           | Screw-HH                            | 23          | 120-2235           | 1           | Filter-Fuel        |
|             |                    |             |                                     | 24          | 119-6074           | 1           | Hose-Fuel          |

# Electrical Harness and Battery Assembly





## Electrical Harness and Battery Assembly (continued)

| <i>Ref.</i> | <i>Part Number</i> | <i>Qty.</i> | <i>Description</i>                 | <i>Ref.</i> | <i>Part Number</i> | <i>Qty.</i> | <i>Description</i>     |
|-------------|--------------------|-------------|------------------------------------|-------------|--------------------|-------------|------------------------|
| 1           | 138-8840           | 1           | Harness-Wire, Wasp                 | 11          | 126-0624           | 1           | Harness-Clutch Pigtail |
| 1:1         | 109355             | 1           | Fuse-Blade, 15 Amp                 | 12          | 139-5561           | 1           | Module, Hour Meter     |
| 1:2         | 109102             | 1           | Fuse-Blade, 25 Amp                 | 13          | 137-4100           | 1           | Switch-Ignition        |
| 1:3         | 116-0053           | 1           | Cap-Plug                           | 14          | 1-303335           | 1           | Tie-Plastic            |
| 1:11        | 100-4918           | 1           | Diode                              | 15          | 99-8445            | 2           | Screw-HWH              |
| 3           | 63-8360            | 1           | Key-Ignition                       | 16          | 3220-2             | 1           | Nut-Jam                |
| 4           | 104-8300           | 2           | Nut-HF, NI                         | 17          | 3230-1             | 2           | Bolt-CARR              |
| 5           | 105-1692           | 1           | Battery, 230CCA W/O<br>Electrolyte | 18          | 32128-32           | 1           | Nut-HHF                |
| 6           | 139-6367           | 1           | Switch-Rocker, (On)-On-Off         | 19          | 104-2466           | 1           | Holddown-Battery       |
| 7           | 117-1197           | 1           | Solenoid                           | 20          | 3290-134           | 1           | Screw                  |
| 8           | 139-6350           | 1           | Cable-Battery, Pos ASM             | 21          | 120-4578           | 1           | Nut-HF                 |
| 9           | 139-6354           | 1           | Cable-Battery, Pos ASM             | 23          | 33094-00           | 1           | Washer-Plain           |
| 10          | 139-6358           | 1           | Cable-Battery, Neg ASM             | 24          | 33114-016          | 1           | Screw-HH               |

# Attachments and Accessories

## For 44410 Proline Commercial Walk-Behind Mower with 36in Floating Cutting Unit

| <b>Product Name</b>                            | <b>Model/Part</b> |
|--|-------------------|
| Hypr-Oil 500 (quart).....                      | 114-4713          |
| Hypr-Oil 500 (gallon).....                     | 114-4714          |
| Hypr-Oil 500-5 (5 gallon).....                 | 114-4715          |
| Bagger Adaptor Kit .....                       | 121-7515          |
| Toro Premium Fuel Treatment 12 Oz Bottle ..... | 131-6572          |
| Electric Accessory Port.....                   | 133-1438          |
| Weight Kit .....                               | 138-6866          |
| Blade - Mulch, 18.00 In.....                   | 138-8883-03       |
| Blade - Hi Flow, 18.00 In.....                 | 138-8887-03       |
| Blade - High Lift, 18.00 In.....               | 138-8894-03       |
| HOC Brackets Kit.....                          | 139-4063          |
| Light Kit.....                                 | 139-5595          |
| Soft Side Bagger.....                          | 139-7860          |
| 36in Recycler Kit.....                         | 140-1913          |
| Rubber Deflector Kit .....                     | 140-4300          |
| Kit-Bagging Enhancement.....                   | 140-4321          |
| 6 Pack-Blade, 18.00 Recycler.....              | 140-7729          |
| 6 Pack-Blade, 18.00 Hi-Flow .....              | 140-7733          |
| 6 Pack-Blade, 18.00 Hi-Lift .....              | 140-7737          |
| 10w30 4-Cycle Engine Oil (32oz Bottle).....    | 38280             |
| Toro 4-Cycle SAE 30 Oil (32oz Bottle) .....    | 38903             |
| Two-Wheel Sulky, Proline Midsize .....         | 44401             |
| Spark Arrestor .....                           | 98-9099           |

**Notes:**



**Count on it.**