



**Count on it.**

**Parts Catalog**

**TimeCutter® MX 4275T**

**Riding Mower**

Model No. 74691—Serial No. 413000000 and Up



# Ordering Replacement Parts

To order replacement parts, please supply the part number, the quantity, and the description of each part desired.

## Understanding Reference Numbers

Each identified part in an illustration has a reference number. The reference number for a part also appears in the parts list, along with other information about the part.

This catalog uses two special reference number formats, one to indicate parts in a service assembly and another to indicate the quantity of a given part in an illustration.

## Service Assembly Reference Numbers

Parts in service assemblies have reference numbers in the form a:b. The a represents the reference number of the entire service assembly and the b represents a sequential number unique to each part within the service assembly.

For example, a wheel assembly might be identified by reference number 6, the tire by 6:1, the valve by 6:2, and the wheel by 6:3. When you order the assembly identified by reference number 6, you receive all parts identified by reference numbers 6:1, 6:2, and 6:3. However, you may also order any part individually. Reference numbers of this type appear in illustration and in parts lists.

## Reference Numbers Indicating Quantity

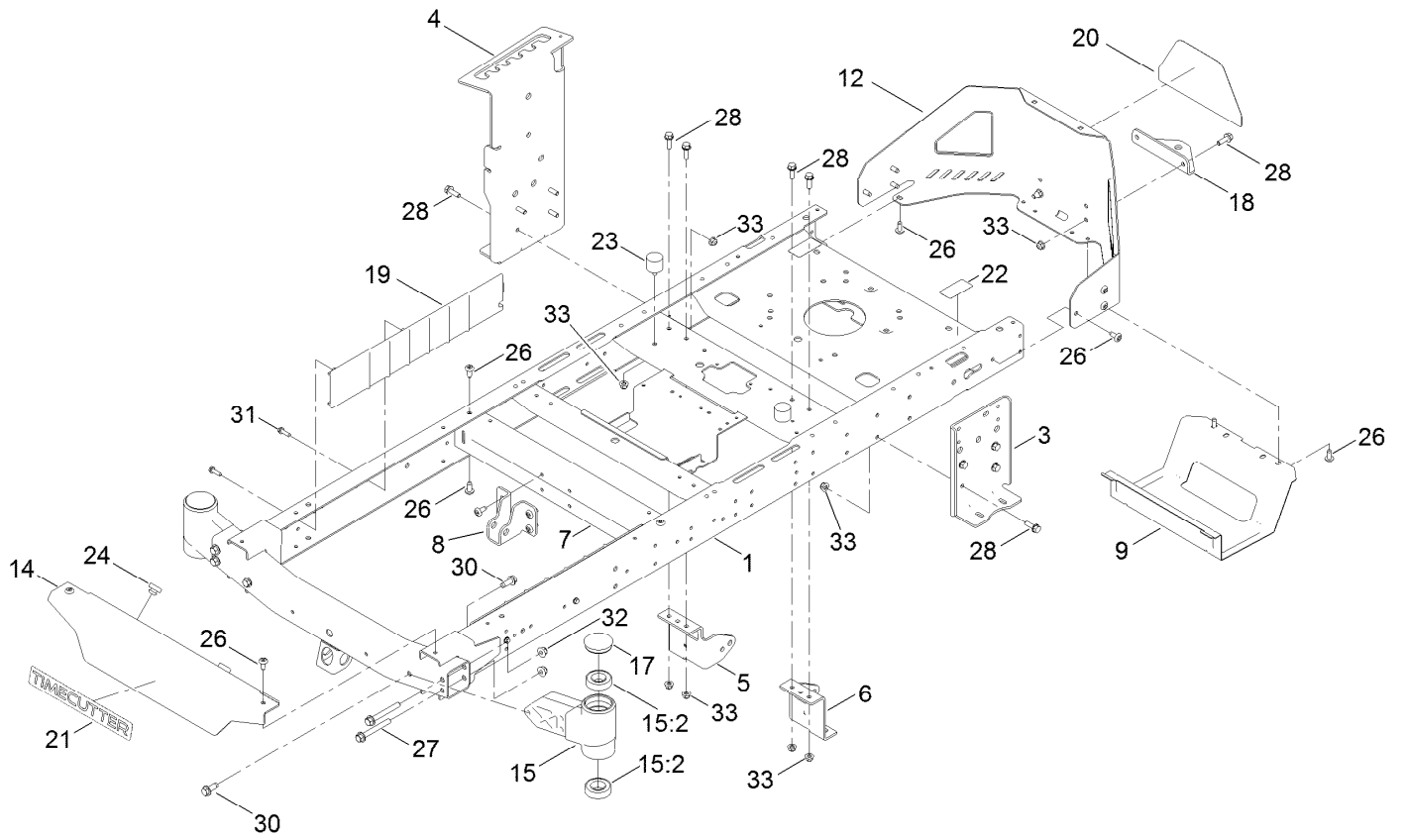
In an illustration, if a reference number indicates more than one part, the reference number has the form nX y. The n represents the quantity of the part, the X is the multiplication symbol, and the y represents the reference number.

For example, in an illustration, the reference number 2X 37 means that two of the parts identified by reference number 37 are indicated.

# Contents

Frame Assembly	4
Deck Lift Assembly	6
Tire and Caster Assembly	8
Traction Drive Assembly	10
LH Hydro Transmission Assembly No. 139-7450	12
RH Hydro Transmission Assembly No. 139-7451	14
Brake Assembly	16
Rear Tire Assembly	18
Motion Control Assembly	20
Engine Assembly	22
Fuel Pod Assembly	24
Electrical Assembly	26
42in Deck and Decal Assembly	28
Seat Pan Assembly	30
Seat Assembly No. 140-8303	32
Clutch Assembly	34
Attachments and Accessories	36

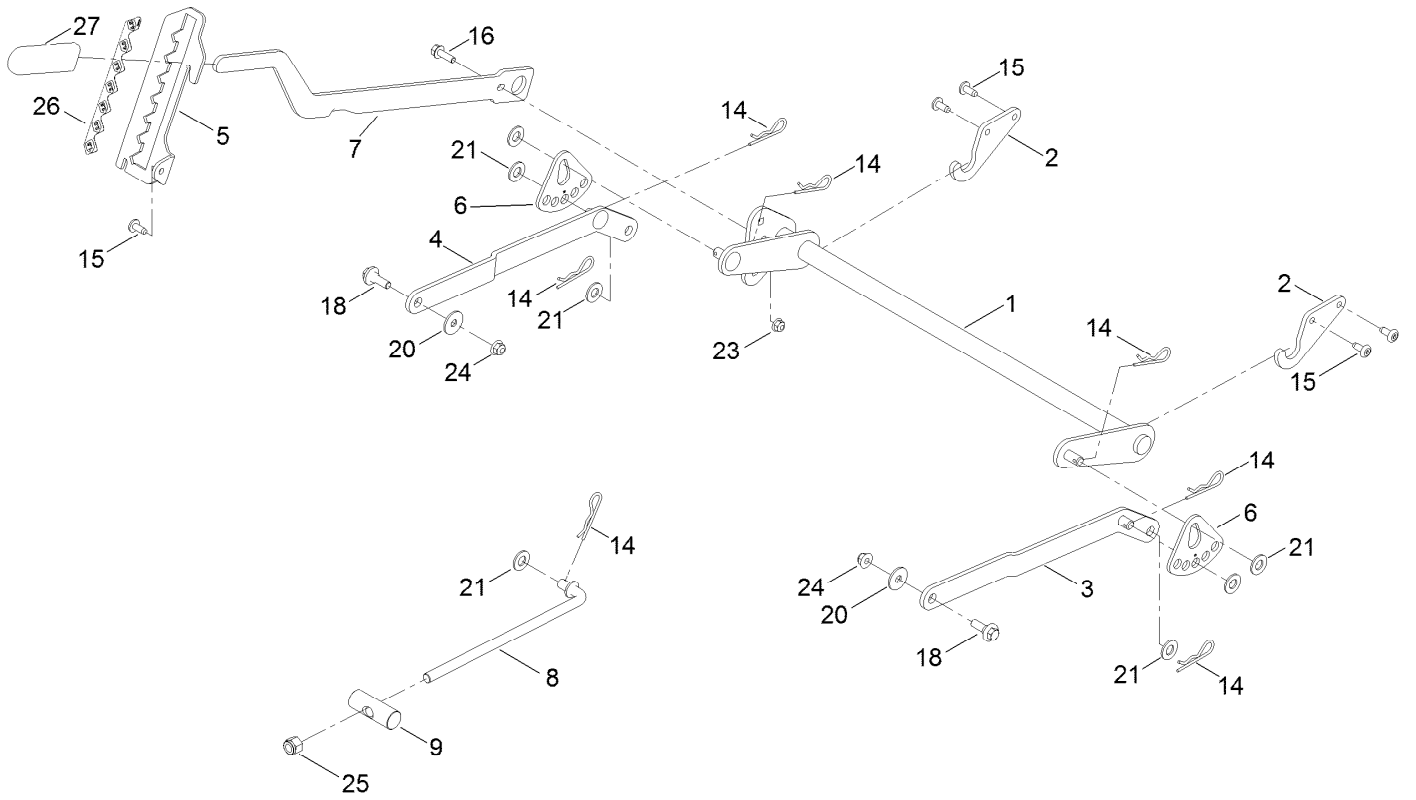
# Frame Assembly



## Frame Assembly (continued)

<i>Ref.</i>	<i>Part Number</i>	<i>Qty.</i>	<i>Description</i>	<i>Ref.</i>	<i>Part Number</i>	<i>Qty.</i>	<i>Description</i>
1	137-9820-01	1	Frame Assembly	18	117-1232-03	1	Bracket-Hitch
3	138-7520-01	1	Plate-Mount, Hydro	19	138-7516	2	Guard-Rail
4	139-2352-01	1	Plate-Mount Hydro, RH	20	139-5890	1	Decal-Timecutter
5	137-7020-01	1	Mount-Hydro, Front (Right)	21	139-2387	1	Decal-Timecutter
6	139-3211-01	1	Mount-Hydro, Front (Left)	22	121-2989	2	Decal-Bypass
7	138-2527-01	1	Brace-Cross, Lower	23	137-4803	2	Bumper-Rubber
8	139-3260-01	1	Bracket-Mount Damper, Lower	24	140-3460	2	Bumper-Rubber
9	138-0867-03	1	Guard-Muffler	26	138-9753	20	Screw
12	138-9820-03	1	Guard-Engine	27	139-2429	4	Screw-HHF
14	138-7596-01	1	Footrest	28	139-2596	14	Screw-HHF
15	140-2098	2	Axle Stub ASM	30	139-2428	4	Screw-HWH
15:2	109-3678	2	Bearing-Ball	31	137-3099	4	Screw-Plastite, HWH
17	138-7200	2	Cap-Grease	32	139-2430	4	Nut-HF, NI
				33	119-4041	16	Nut-HF

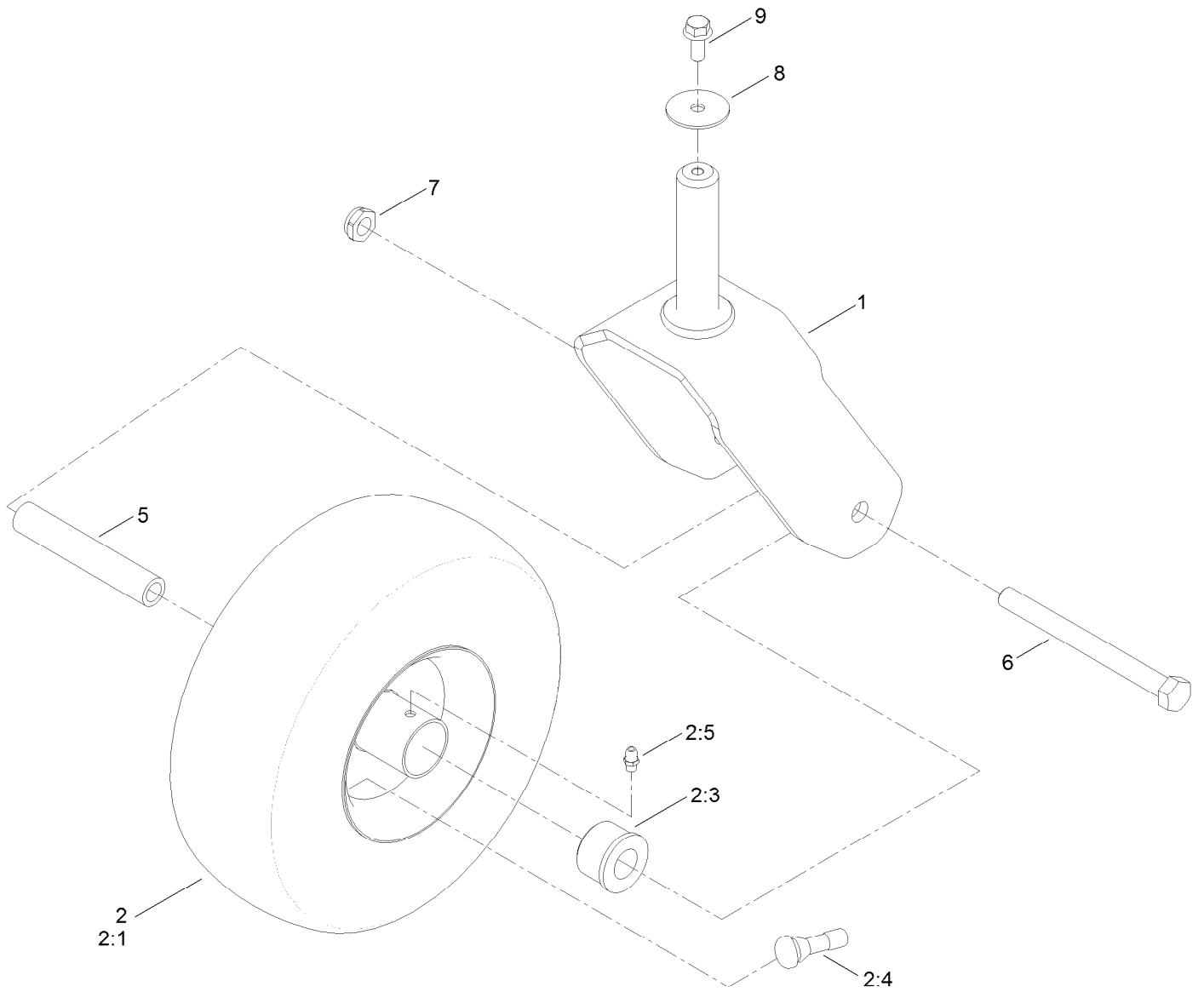
# Deck Lift Assembly



## Deck Lift Assembly (continued)

<i>Ref.</i>	<i>Part Number</i>	<i>Qty.</i>	<i>Description</i>	<i>Ref.</i>	<i>Part Number</i>	<i>Qty.</i>	<i>Description</i>
1	137-7093-03	1	Deck Lift ASM	15	138-9753	5	Screw
2	138-6021	2	Bracket-Pivot, Decklift	16	139-2596	1	Screw-HHF
3	137-9844	1	LH Arm ASM	18	137-9847	2	Screw-Shoulder
4	137-9846	1	RH Arm ASM	20	140-5063	2	Washer-Hardened, Cz
5	139-2350-01	1	Bracket-HOC	21	139-2611	7	Washer-Flat
6	138-2564	2	Plate-Adjustment, HOC	23	119-4041	1	Nut-HF
7	137-7087-03	1	Lever-Lift	24	119-4042	2	Nut-HF, NI
8	138-6050	1	Rod-Mount, Deck	25	139-1725	1	Nut-Hex
9	119-8810	1	Pin-Pivot	26	140-2748	1	Decal-HOC
14	139-2562	7	Pin-Hair	27	1-633268	1	Grip-Lever

# Tire and Caster Assembly





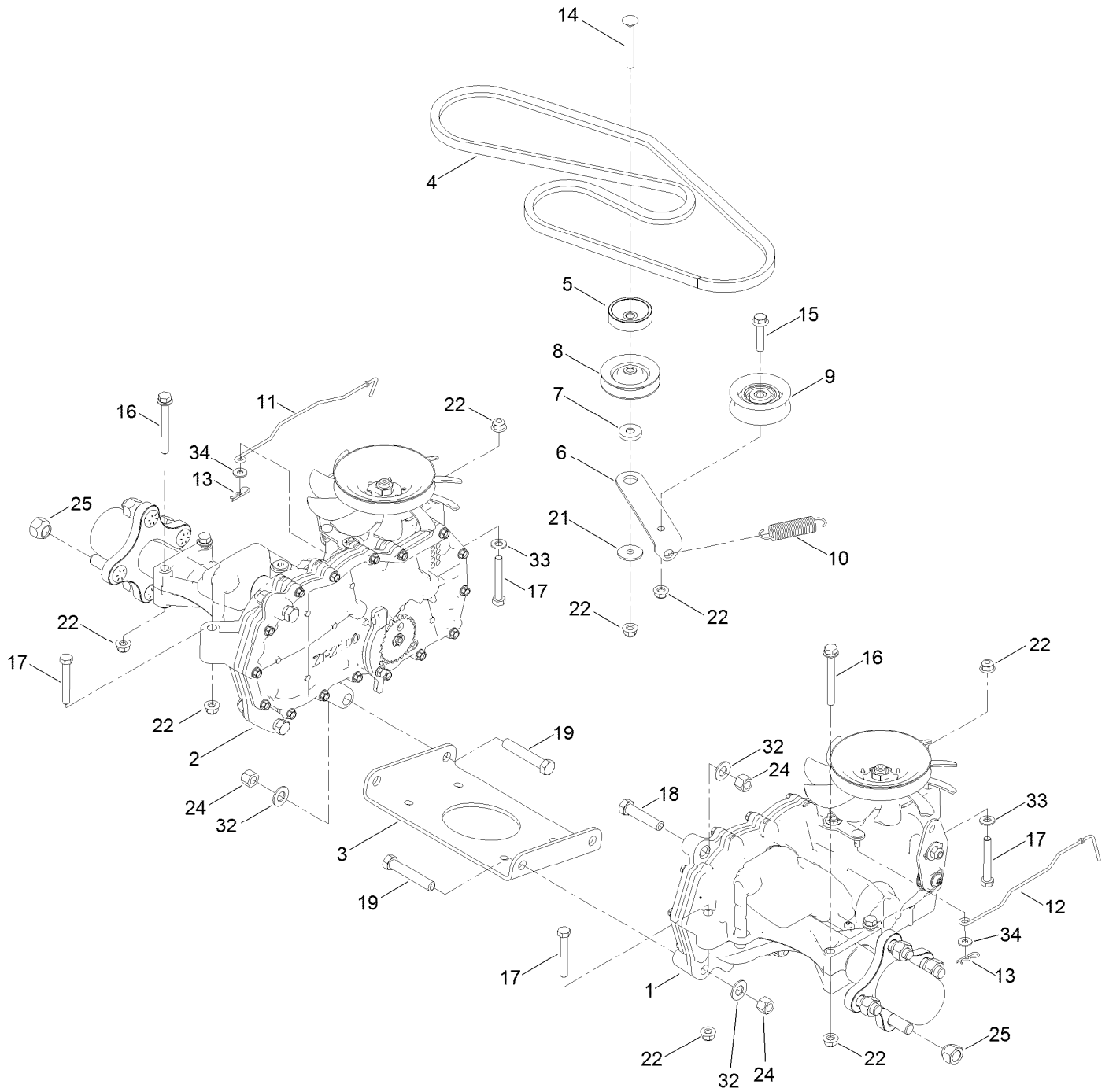
## Tire and Caster Assembly (continued)

<i>Ref.</i>	<i>Part Number</i>	<i>Qty.</i>	<i>Description</i>	<i>Ref.</i>	<i>Part Number</i>	<i>Qty.</i>	<i>Description</i>
1	139-3274-01	2	Fork ASM	2:99	105-0844	1	Tube-Inner●■
2	139-5842	2	Tire ASM	5	138-7240	2	Bushing-Spanner
2:1	140-2736	1	Tire	6	139-2607	2	Screw-HH
2:3	114-1640	2	Bushing-Flange	7	139-2617	2	Nut-Lock, NI
2:4	232-27	1	Stem-Valve	8	115-1151	2	Washer-Flat
2:5	302-5	1	Fitting-Grease	9	139-2598	2	Screw-HHF

● Not illustrated

■ Optional Equipment

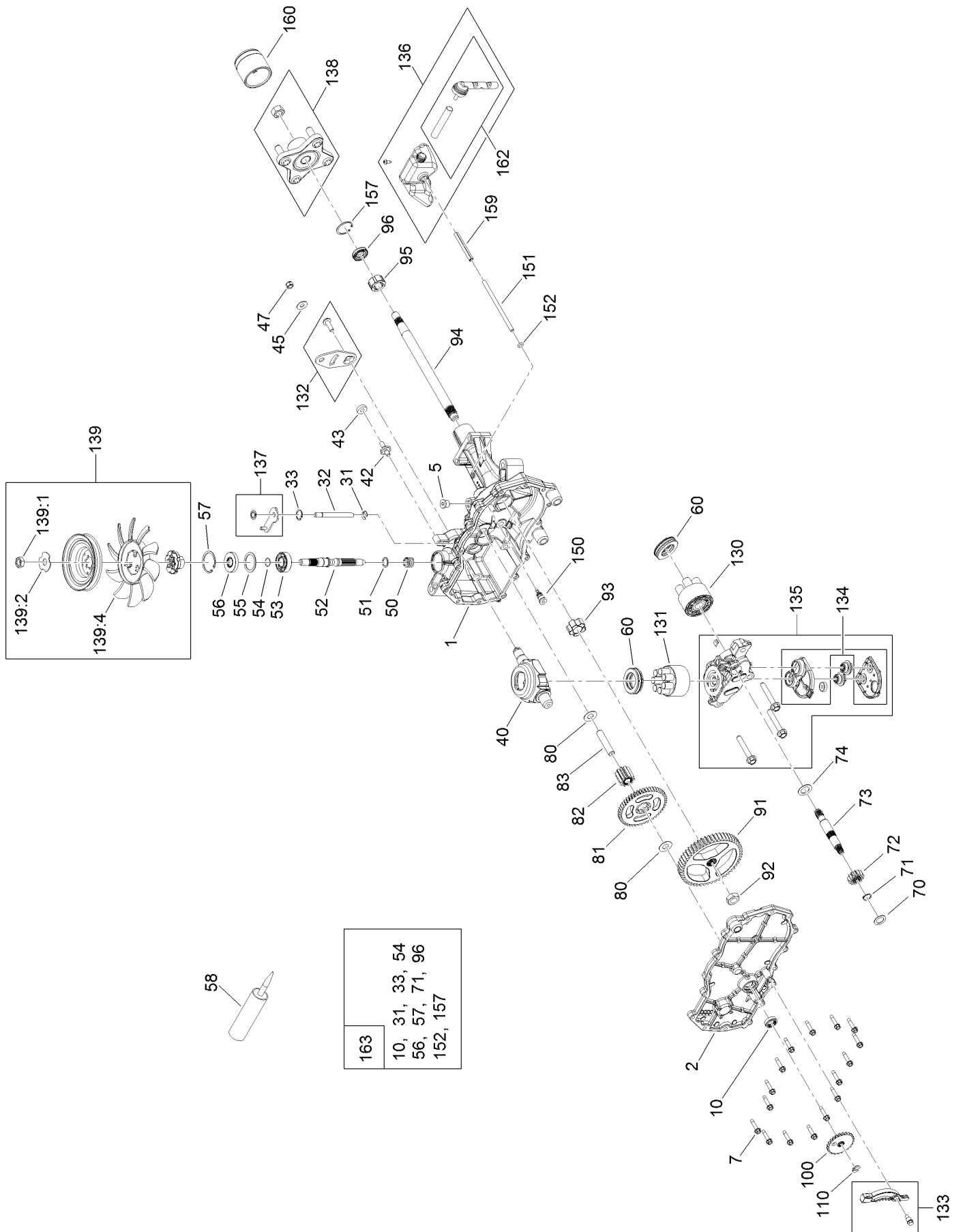
# Traction Drive Assembly



## Traction Drive Assembly (continued)

<i>Ref.</i>	<i>Part Number</i>	<i>Qty.</i>	<i>Description</i>	<i>Ref.</i>	<i>Part Number</i>	<i>Qty.</i>	<i>Description</i>
1	139-7450	1	LH Hydro Transaxle ASM	14	139-2588	1	Screw-CARR
2	139-7451	1	RH Hydro Transaxle ASM	15	140-5024	1	Screw-HHF
3	138-2571-03	1	Crossplate-Hydro	16	138-7590	4	Screw-HHF
4	139-2399	1	V-Belt	17	120-9738	4	Screw-HH
5	138-9809	1	Spacer	18	139-2605	2	Screw-HH
6	138-7276	1	Arm-Idler	19	139-2603	4	Screw-HH
7	138-7277	1	Spacer-Arm, Idler	21	5-4460	1	Washer-Pivot
8	68-0030	1	Idler	22	119-4041	10	Nut-HF
9	138-7597	1	Pulley-Idler, Flat	24	119-4039	6	Nut-Hex
10	137-7040	1	Spring-Return, Pedal	25	139-2564	8	Nut-Lug
11	138-7245	1	Rod-Bypass, RH	32	139-2610	6	Washer-Flat
12	138-7243	1	Rod-Bypass, LH	33	120-9683	2	Washer-Plain
13	137-3083	2	Pin-Hair	34	119-8952	2	Washer

# LH Hydro Transmission Assembly No. 139-7450



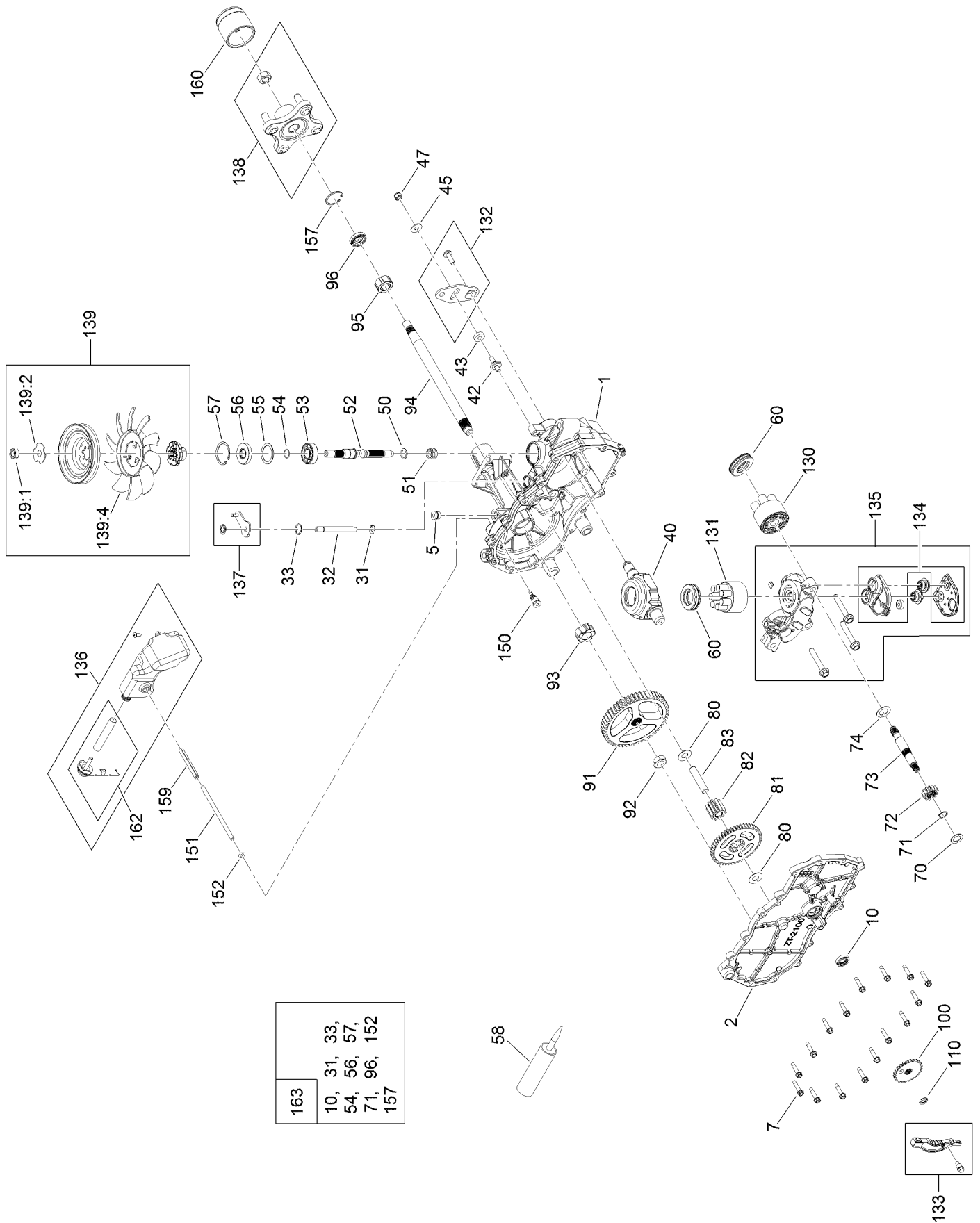
- |                |
|----------------|
| 163            |
| 10, 31, 33, 54 |
| 56, 57, 71, 96 |
| 152, 157       |

# LH Hydro Transmission Assembly No. 139-7450 (continued)

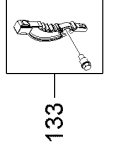
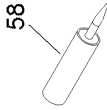
<i>Ref.</i>	<i>Part Number</i>	<i>Qty.</i>	<i>Description</i>	<i>Ref.</i>	<i>Part Number</i>	<i>Qty.</i>	<i>Description</i>
1	120-5532	1	Main Housing ASM	81	104-5317	1	Gear-10T/48T
2	120-5534	1	Housing Side Kit	82	104-5318	1	Gear-Jackshaft, 10T
5	104-2189	1	Plug-Thread, Straight	83	104-5329	1	Pin-Jackshaft
7	117-5359	16	Screw-HHF	91	120-5539	1	Gear-Bull
10	104-2147	1	Sealant ●	92	104-2142	1	Nut-HJ
31	106-8677	1	Ring-Retaining, External	93	115-8314	1	Bushing-Inboard
32	106-8678	1	Rod-Bypass	94	120-5540	1	Shaft-Axle
33	106-8679	1	Ring-Retaining, Internal	95	120-5541	1	Bearing-Sleeve
40	104-5304	1	Swashplate-Trunnion	100	106-8694	1	Disc-Brake, Cog
42	104-2116	1	Stud	110	106-8677	1	Ring-Retaining, External
43	112-9853	1	Puck-Friction	130	103-2666	1	Cylinder Block Kit
50	133-1793	1	Spring-Block	131	110-8561	1	Pump Block ASM
51	120-5538	1	Washer	132	117-5362	1	Control Arm Kit
52	104-5306	1	Shaft-Input	133	106-8688	1	Brake Arm Kit
53	104-5311	1	Bearing-Ball	134	112-9861	1	Center Section Filter Kit
54	104-5307	1	Ring-Retaining	135	114-1634	1	Filter Kit
55	104-5308	1	Spacer	136	121-5730	1	RH Expansion Tank Kit
56	104-5310	1	Seal-Lip	137	120-5549	1	Bypass Kit
57	104-5309	1	Ring-Retaining	138	121-5731	1	Hub Kit
58	104-2147	1	Sealant	139	135-7349	1	Fan And Pulley Kit
60	94-6922	2	Bearing-Thrust	150	104-5349	1	Fitting-SAE
70	104-5339	1	Washer-Flat	151	115-8302	1	Hose
71	104-5340	1	Ring-Retaining	152	104-5361	1	O-Ring
72	104-5316	1	Gear-Pinnion, 13T	159	121-5728	1	Case-Tube
73	106-8683	1	Shaft-Motor	160	125-0041	1	Cap-Axle
74	104-5360	1	Washer	162	139-3278	1	Breather ASM Kit
80	119-5541	1	Washer	163	120-7103	1	Seal And Ring Kit

● Not illustrated

# RH Hydro Transmission Assembly No. 139-7451



163	10, 31, 33, 54, 56, 57, 71, 96, 152, 157
-----	--



# RH Hydro Transmission Assembly No. 139-7451 (continued)

<i>Ref.</i>	<i>Part Number</i>	<i>Qty.</i>	<i>Description</i>	<i>Ref.</i>	<i>Part Number</i>	<i>Qty.</i>	<i>Description</i>
1	120-5531	1	Main Housing ASM	81	104-5317	1	Gear-10T/48T
2	120-5533	1	Housing Side Kit	82	104-5318	1	Gear-Jackshaft, 10T
5	104-2189	1	Plug-Thread, Straight	83	104-5329	1	Pin-Jackshaft
7	117-5359	16	Screw-HHF	91	120-5539	1	Gear-Bull
10	104-2147	1	Sealant ●	92	104-2142	1	Nut-HJ
31	106-8677	2	Ring-Retaining, External	93	115-8314	1	Bushing-Inboard
32	106-8678	1	Rod-Bypass	94	120-5540	1	Shaft-Axle
33	106-8679	1	Ring-Retaining, Internal	95	120-5541	1	Bearing-Sleeve
40	104-5304	1	Swashplate-Trunnion	100	106-8694	1	Disc-Brake, Cog
42	104-2116	1	Stud	110	106-8677	1	Ring-Retaining, External
43	112-9853	1	Puck-Friction	130	103-2666	1	Cylinder Block Kit
51	133-1793	1	Spring-Block	131	110-8561	1	Pump Block ASM
51	120-5538	1	Washer	132	117-5362	1	Control Arm Kit
52	104-5306	1	Shaft-Input	133	106-8688	1	Brake Arm Kit
53	104-5311	1	Bearing-Ball	134	112-9862	1	Center Section Filter Kit
54	104-5307	1	Ring-Retaining	135	114-1634	1	Filter Kit
55	104-5308	1	Spacer	136	121-5735	1	LH Expansion Tank Kit
56	104-5310	1	Seal-Lip	137	107-2489	1	Bypass Arm Kit
57	104-5309	1	Ring-Retaining	138	121-5731	1	Hub Kit
58	104-2147	1	Sealant	139	135-7349	1	Fan And Pulley Kit
60	94-6922	2	Bearing-Thrust	150	104-5349	1	Fitting-SAE
70	104-5339	1	Washer-Flat	151	115-8302	1	Hose
71	104-5340	1	Ring-Retaining	152	104-5361	1	O-Ring
72	104-5316	1	Gear-Pinnion, 13T	159	121-5728	1	Case-Tube
73	106-8683	1	Shaft-Motor	160	125-0041	1	Cap-Axle
74	104-5360	1	Washer	162	139-3278	1	Breather ASM Kit
80	119-5541	1	Washer	163	120-7103	1	Seal And Ring Kit

● Not illustrated

# Brake Assembly

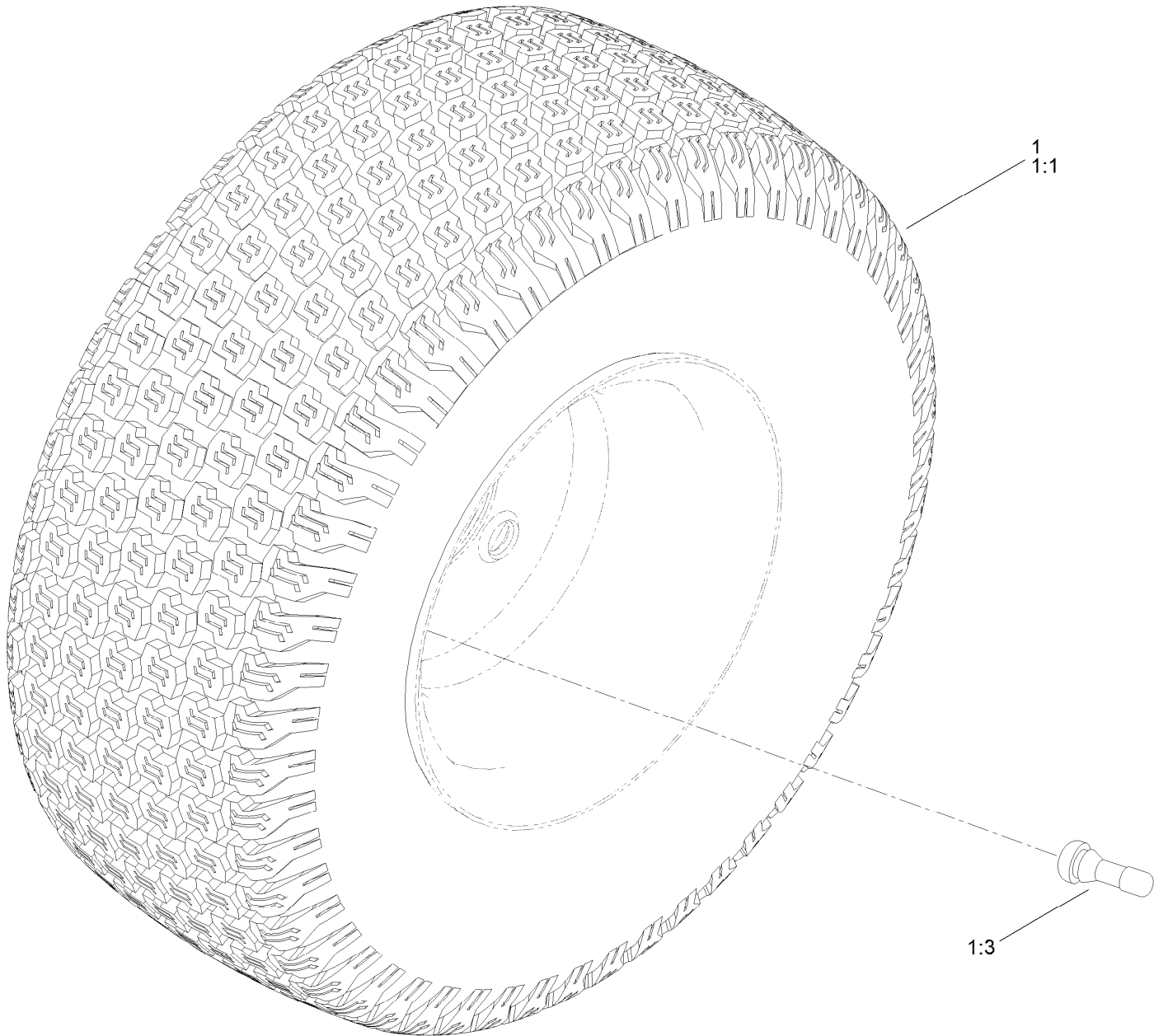




## Brake Assembly (continued)

<i>Ref.</i>	<i>Part Number</i>	<i>Qty.</i>	<i>Description</i>	<i>Ref.</i>	<i>Part Number</i>	<i>Qty.</i>	<i>Description</i>
1	138-2514	1	Brake Box ASM	7	137-3083	2	Pin-Hair
2	133-9284-03	1	Bracket-Mount, Brake	8	32144-36	4	Screw-PPH
3	138-2591	1	Rod-Brake, LH	9	32144-4	2	Screw-HWH
4	138-2592	1	Rod-Brake, RH	10	119-8952	6	Washer
5	117-1169	4	Spring-Compression	11	137-3088	2	Nut-Hex

# Rear Tire Assembly

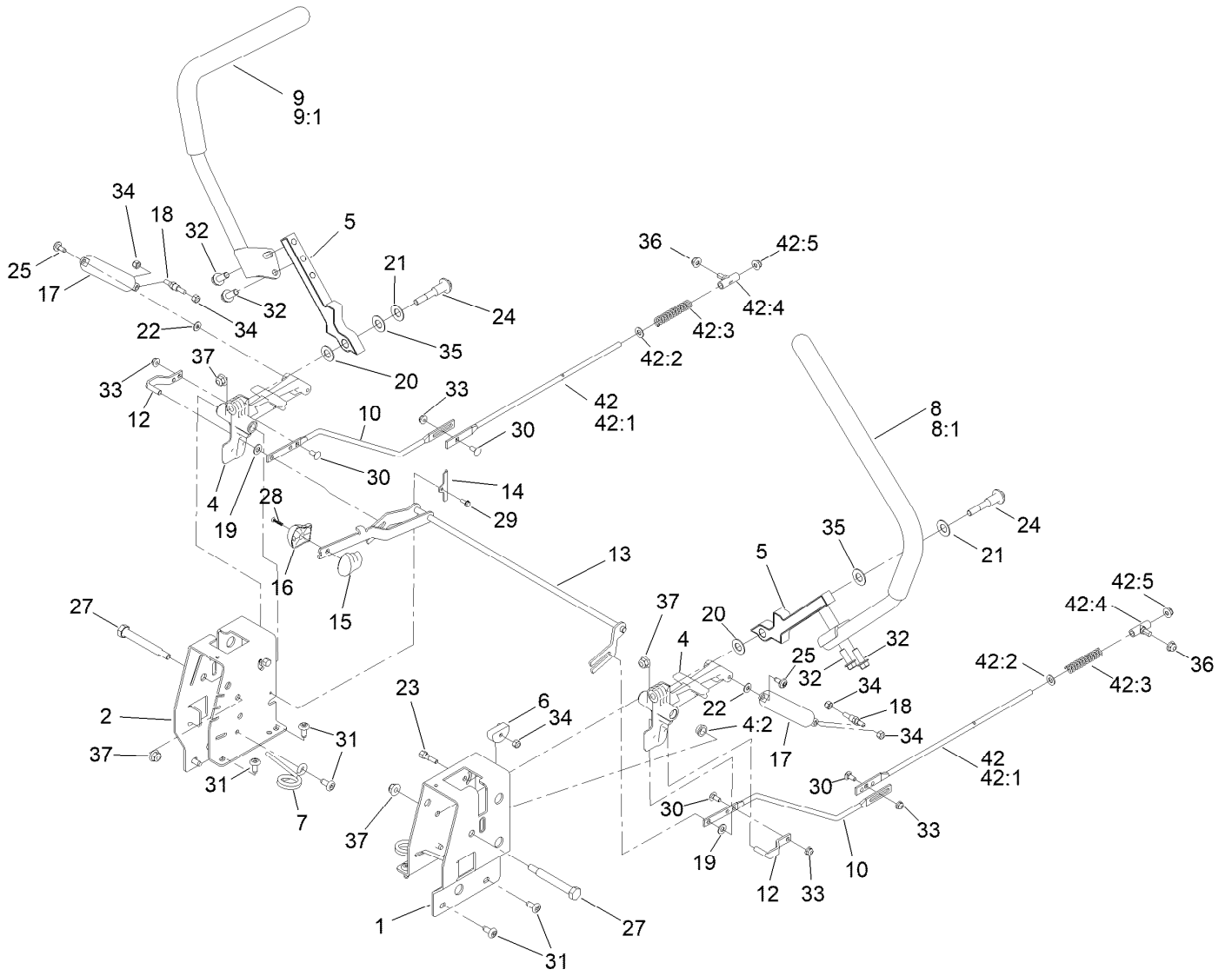


## Rear Tire Assembly (continued)

<i>Ref.</i>	<i>Part Number</i>	<i>Qty.</i>	<i>Description</i>	<i>Ref.</i>	<i>Part Number</i>	<i>Qty.</i>	<i>Description</i>
1	139-5846	2	Tire ASM	1:3	232-27	1	Stem-Valve
1:1	140-2729	1	Tire	1:99	107-2491	1	Tube-Tire ●

● Not illustrated

# Motion Control Assembly

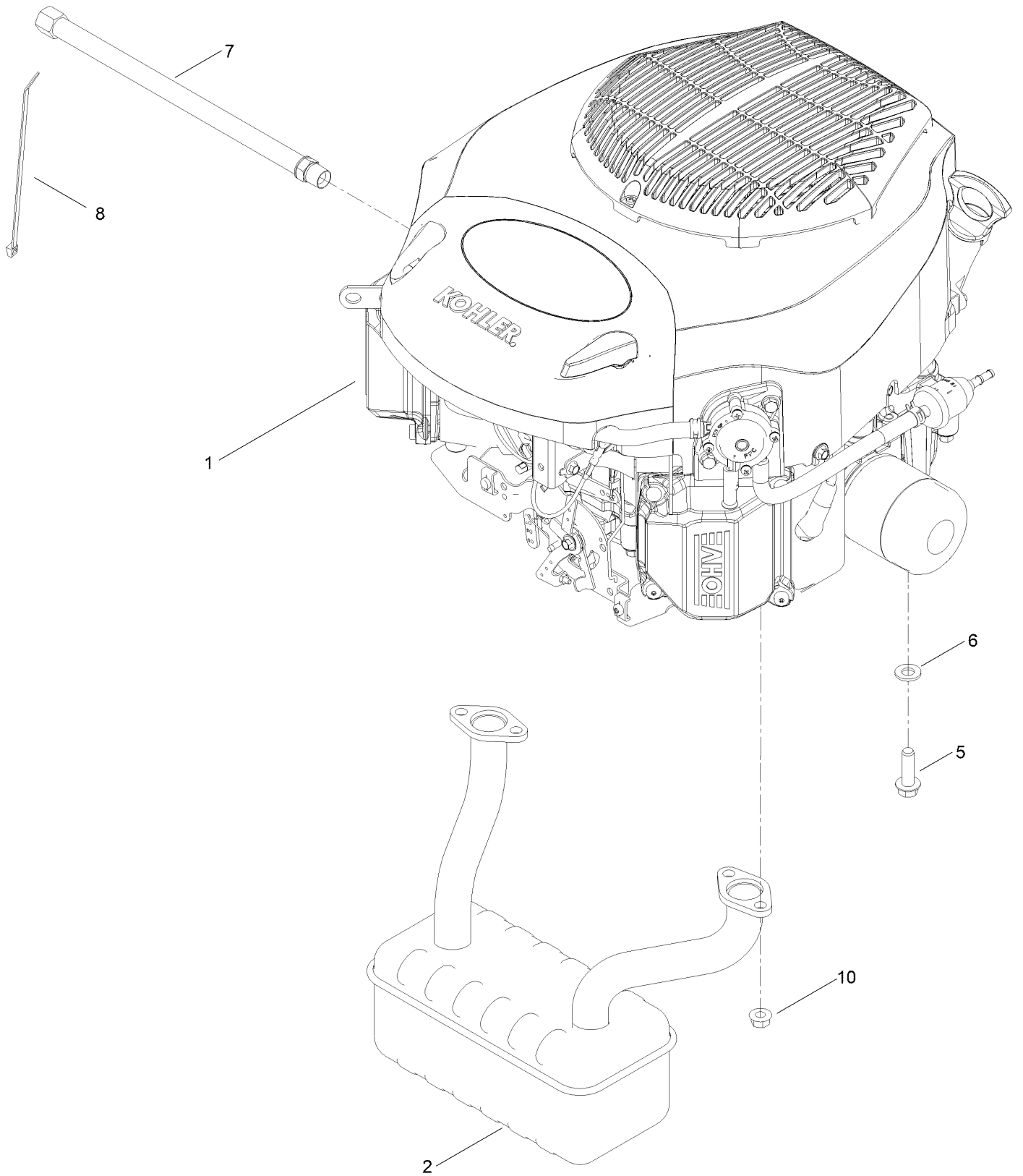


## Motion Control Assembly (continued)

<i>Ref.</i>	<i>Part Number</i>	<i>Qty.</i>	<i>Description</i>	<i>Ref.</i>	<i>Part Number</i>	<i>Qty.</i>	<i>Description</i>
1	138-7598-03	1	Plate-Control Box, LH	22	119-8952	2	Washer
2	138-7599-03	1	Plate-Control Box, RH	23	139-5811	2	Bolt-Pivot, Eccentric
4	119-3470	2	Actuator Arm ASM	24	139-2556	2	Bolt-Pivot
4:2	256-156	2	Bushing-Flange	25	120-7950	2	Screw-Torx
5	133-9299-05	2	Arm-Control	27	115-5099	2	Bolt-Pivot
6	139-5803	2	Eccentric	28	94-4496	1	Screw-PPH
7	138-7539	2	Spring-Torsion	29	139-1713	2	Screw-Taptite
8	133-7055	1	Handle-Control, LH	30	100-1445	4	Bolt-CARR
8:1	121-0726	1	Grip	31	138-9753	10	Screw
9	133-7057	1	Handle-Control, RH	32	139-2597	4	Screw-HHF
9:1	121-0726	1	Grip	33	137-3005	4	Nut-HF
10	138-2580	2	Rod-Hydro, Front	34	137-3088	6	Nut-Hex
12	121-1753	2	Pin-Rod, Hydro	35	117-1240	2	Washer
13	138-9750	1	Speed Control ASM	36	119-4041	2	Nut-HF
14	138-7541	2	Plate-Retainer	37	119-4042	4	Nut-HF, NI
15	132-9368	1	Knob-RH	42		2	Rod Hydro ASM ●
16	132-9369	1	Knob-LH	42:1	144-1818	1	Rod-Hydro, Rear
17	132-6853	2	Damper-Non Cavitating	42:2	120-9683	1	Washer-Plain
18	138-7215	2	Stud-Damper	42:3	138-7252	1	Spring-Compression
19	93-6079	2	Spacer-Nylon	42:4	138-7218	1	Mount-Rod, Hydro
20	120-2273	2	Washer-Nylon	42:5	119-4041	1	Nut-HF
21	119-8925	2	Washer-Belleville				

● Not serviced separately

# Engine Assembly



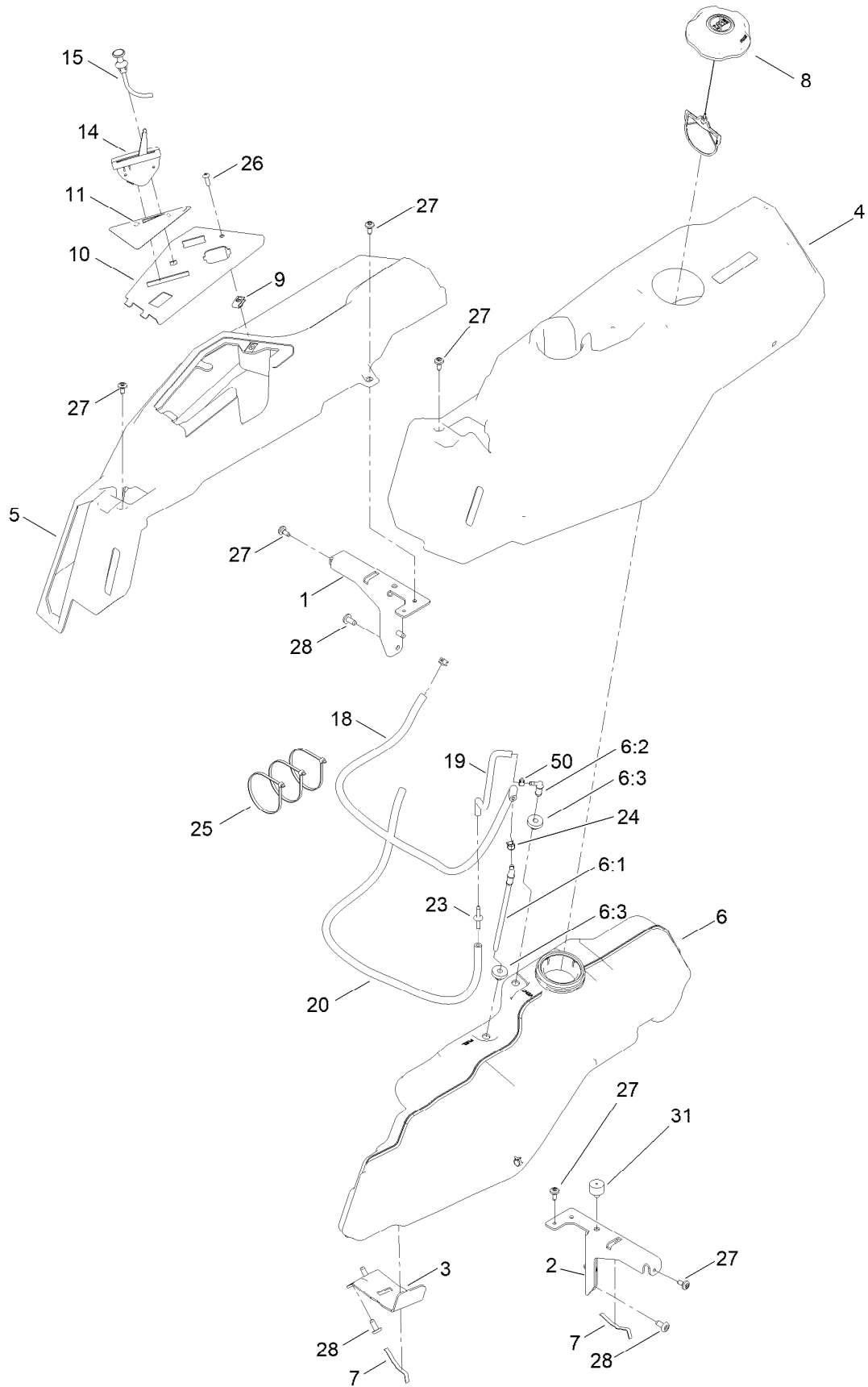
## Engine Assembly (continued)

<i>Ref.</i>	<i>Part Number</i>	<i>Qty.</i>	<i>Description</i>	<i>Ref.</i>	<i>Part Number</i>	<i>Qty.</i>	<i>Description</i>
1		1	Engine-Kohler, Kt725 Low Speed ■▲	5	139-2576	4	Screw-HWH
1:1	110-6697	2	Gasket-Exhaust ●	6	115-1166	3	Washer-Flat
1:3	281-2	1	Plug-Pipe, SQH ●	7	117-1261	1	Hose-Drain, Oil
2	139-5868	1	Muffler	8	614249	1	Tie-Cable
				10	33004-00	4	Nut-HF

● Not illustrated  
▲ Obtain parts from [www.kohlerplus.com](http://www.kohlerplus.com)

■ Not serviced separately

# Fuel Pod Assembly



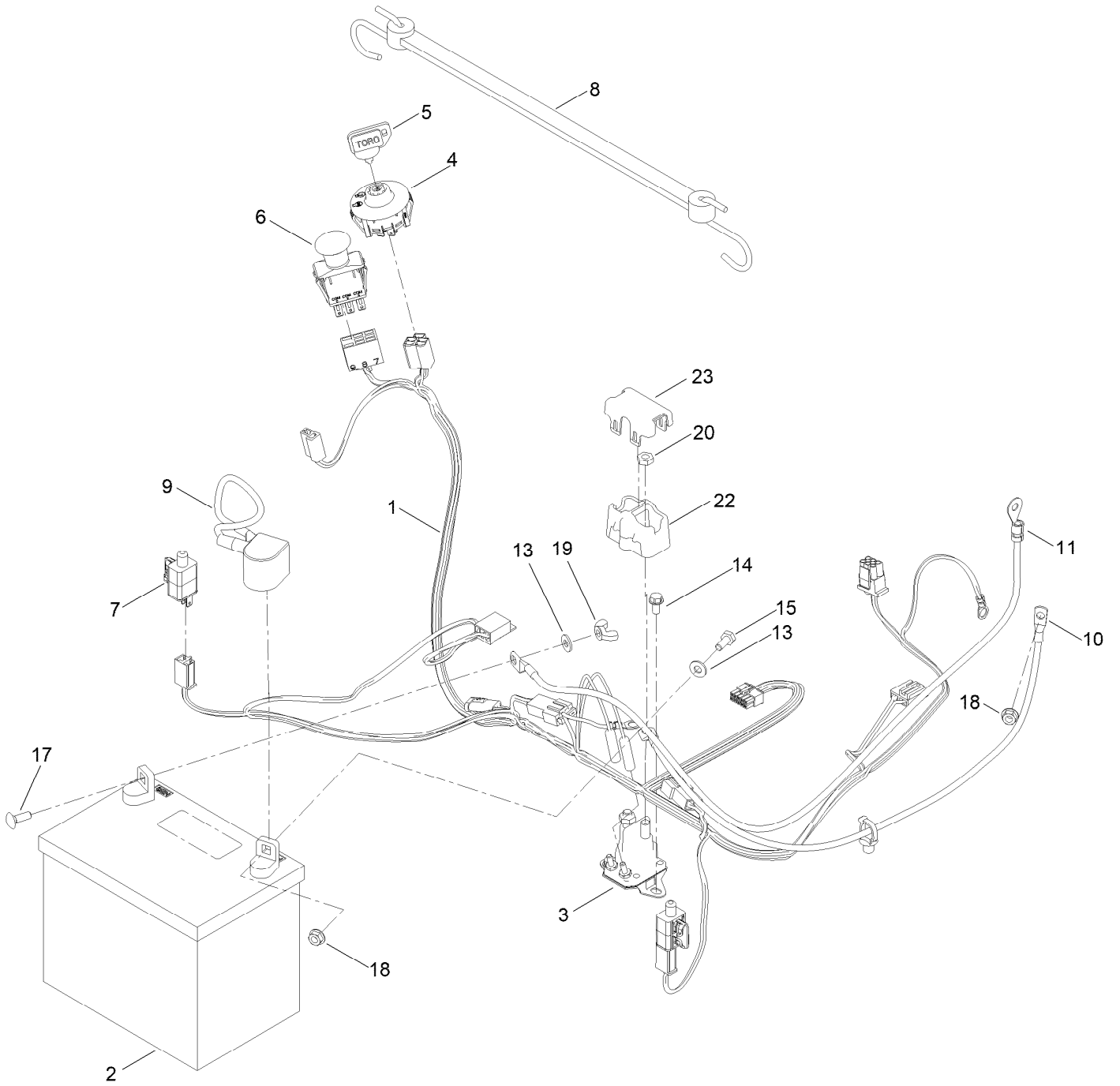


## Fuel Pod Assembly (continued)

<i>Ref.</i>	<i>Part Number</i>	<i>Qty.</i>	<i>Description</i>	<i>Ref.</i>	<i>Part Number</i>	<i>Qty.</i>	<i>Description</i>
1	138-9810-03	1	Bracket-Pod	15	139-2402	1	Cable-Choke
2	138-6071-03	1	Support-Pod, LH	18	109-0307	1	Hose-Fuel
3	139-3271-03	1	Support-Tank, Fuel	19	136-6345	1	Hose-Fuel
4	138-6074	1	Pod-LH	20	119-6074	1	Hose-Fuel
5	139-2404	1	Pod-RH, Myride	23	144-1983	1	Adapter Orifice
6	144-5304	1	Tank-Fuel ASM	24	2412-98	2	Clamp-Hose
6:1	139-1091	1	Connector-Elbow, 90 DEG	25	3290-379	3	Tie-Cable
6:2	144-5302	1	Fitting-Elbow 90	25	614249	1	Tie-Cable
6:3	46-6560	2	Bushing	26	3258-166	1	Screw-PRH
7	609830	2	Spring	27	120-7950	6	Screw-Torx
8	137-4119	1	Cap-Fuel, Ratcheting	28	138-9753	5	Screw
9	107069	1	Clip	31	120-7893	1	Bumper-Grommet
10	139-2380-03	1	Panel - Control	49	32180-418	1	Clip-Harness ●
11	139-2391	1	Decal-Panel, Control	50	2412-80	1	Clamp-Hose
14	139-3267	1	Cable-Throttle				

● Not illustrated

# Electrical Assembly

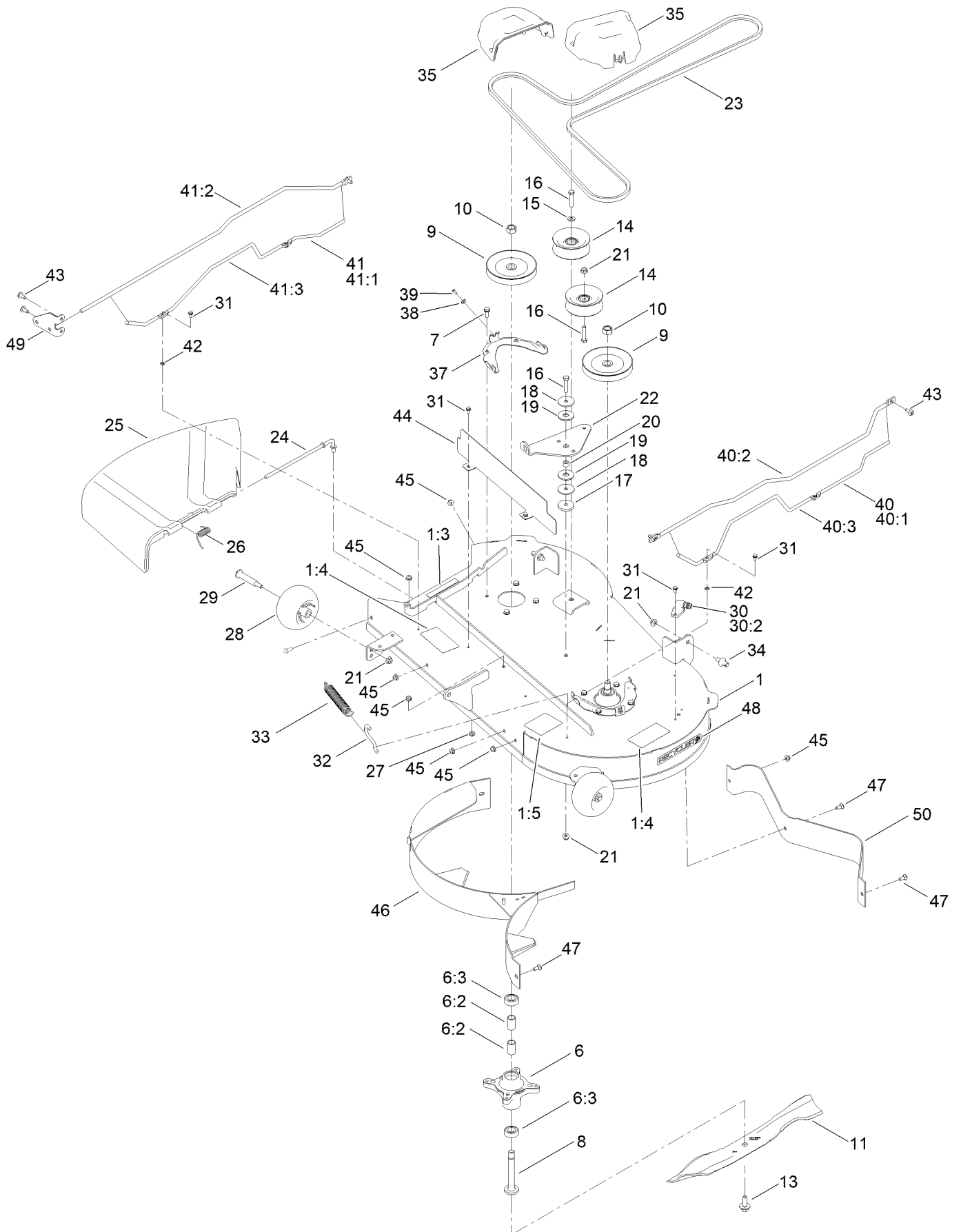


## Electrical Assembly (continued)

<i>Ref.</i>	<i>Part Number</i>	<i>Qty.</i>	<i>Description</i>	<i>Ref.</i>	<i>Part Number</i>	<i>Qty.</i>	<i>Description</i>
1	138-2521	1	Harness-Wire	10	139-2431	1	Cable-Battery, Red (8 Gauge)
1:1	109355	1	Fuse-Blade, 15 Amp ●	11	121-5726	1	Cable-Battery, Black
1:2	109102	1	Fuse-Blade, 25 Amp ●	13	120-9679	2	Washer-Flat
2	105-1692	1	Battery, 230CCA W/O Electrolyte	14	32144-4	2	Screw-HWH
3	117-1197	1	Solenoid	15	137-3041	1	Screw-HH
4	137-4100	1	Switch-Ignition	17	137-3053	1	Screw-CARR
5	63-8360	1	Key-Ignition	18	139-2575	2	Nut-HF
6	103-5221	1	Switch-PTO	19	32103-22	1	Nut-Wing
7	110-6765	2	Switch	20	139-2580	2	Nut-HJ
8	139-2381	1	Strap-Rubber	22	140-2080	1	Cover-Solenoid
9	140-2713	1	Cable-Battery, Pos	23	140-2081	1	Cap-Solenoid

● Not illustrated

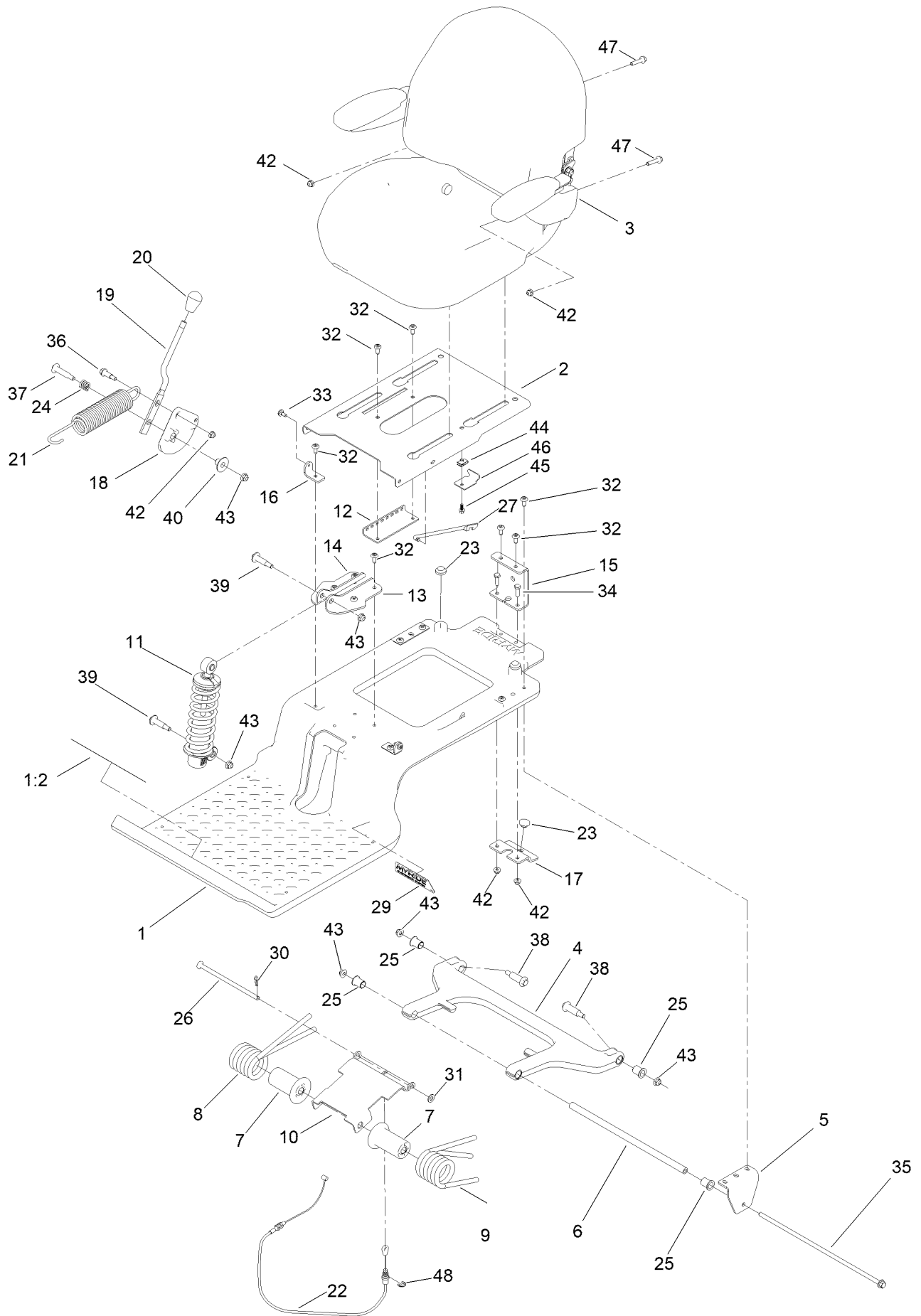
# 42in Deck and Decal Assembly



## 42in Deck and Decal Assembly (continued)

<i>Ref.</i>	<i>Part Number</i>	<i>Qty.</i>	<i>Description</i>	<i>Ref.</i>	<i>Part Number</i>	<i>Qty.</i>	<i>Description</i>
1	138-9769	1	42In Deck And Decal ASM	29	139-2551	2	Bolt-Shoulder
1:3	130-0731	1	Decal-Danger	30	133-9289	1	Fitting-Washout
1:4	132-0872	2	Decal-Danger, Deck	30:2	133-9290	1	O-Ring
1:5	105-7015	1	Decal-Routing, Belt	31	32144-4	8	Screw-HWH
6	139-3214	2	Spindle ASM	32	138-7267	1	Hook-Spring, Return
6:2	120-7935	2	Spacer	33	138-7265	1	Spring Extension
6:3	138-9770	2	Bearing-Ball	34	139-5871	2	Pin-Deck
7	32144-41	8	Screw-Taptite	35	144-1905	2	Cover-Belt
8	117-7268	2	Shaft-Spindle	37	139-3272-03	2	Bracket-Cover, Belt
9	139-2433	2	Pulley	38	137-3079	2	Washer-Plain
10	139-2578	2	Nut-Hex	39	94-6961	2	Screw
11	117-5376-03	2	Blade-Mulch	40	140-0370	1	Left Guard ASM
13	145-0411	2	Bolt-Blade, Sems	40:1	139-7540	1	Guard-Left
14	132-9420	2	Pulley-Idler, Flat	40:2	139-7468	1	Rod-Top, Left
15	115-1166	1	Washer-Flat	40:3	139-7476	1	Rod-Support, Lower
16	138-0722	3	Screw-HH	41	140-0371	1	Right Guard ASM
17	139-5802	1	Washer-Plain	41:1	139-7541	1	Guard-Right
18	139-1726	2	Washer-Rebound	41:2	139-7477	1	Rod-Support, Lower
19	114-0463	2	Washer-Friction, Composite	41:3	140-0385	1	Rod-Top, Right
20	115-4986	1	Spacer	42	1-803037	4	Nut-Retaining
21	119-4042	6	Nut-HF, NI	43	138-9753	5	Screw
22	138-7262	1	Arm-Idler	44	137-2039-03	1	Shield-Front
23	147-2924	1	V-Belt	45	119-4041	7	Nut-HF
24	137-2019	1	Rod-Pivot	46	138-9837-03	1	Baffle-Recycling
25	138-7502	1	Deflector-Discharge	47	139-2630	4	Bolt-CARR
26	138-7268	1	Spring-Torsion	48	119-2368	1	Decal-Recycler
27	121-4600	1	Nut-Hex	49	140-5183-01	1	Plate-Mount, Guard
28	1-603299	2	Roller-Scalp, Anti	50	140-2701-03	1	Deflector

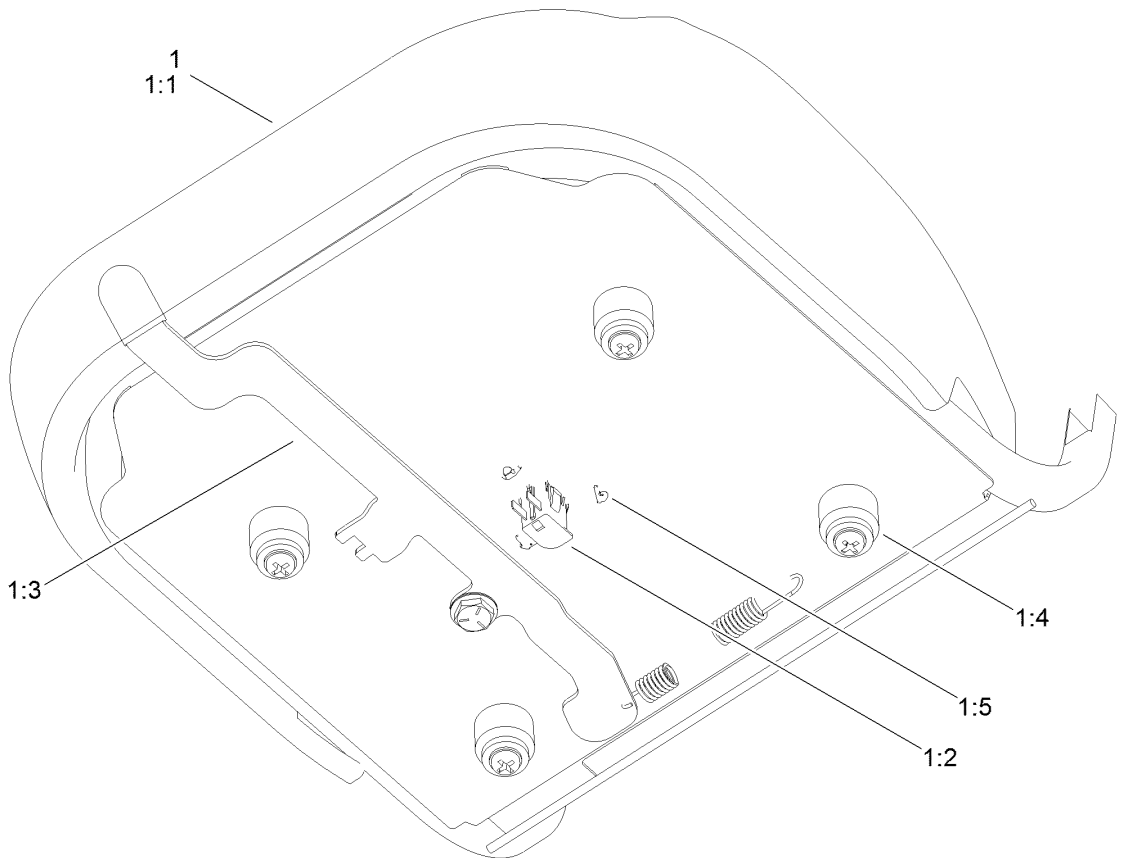
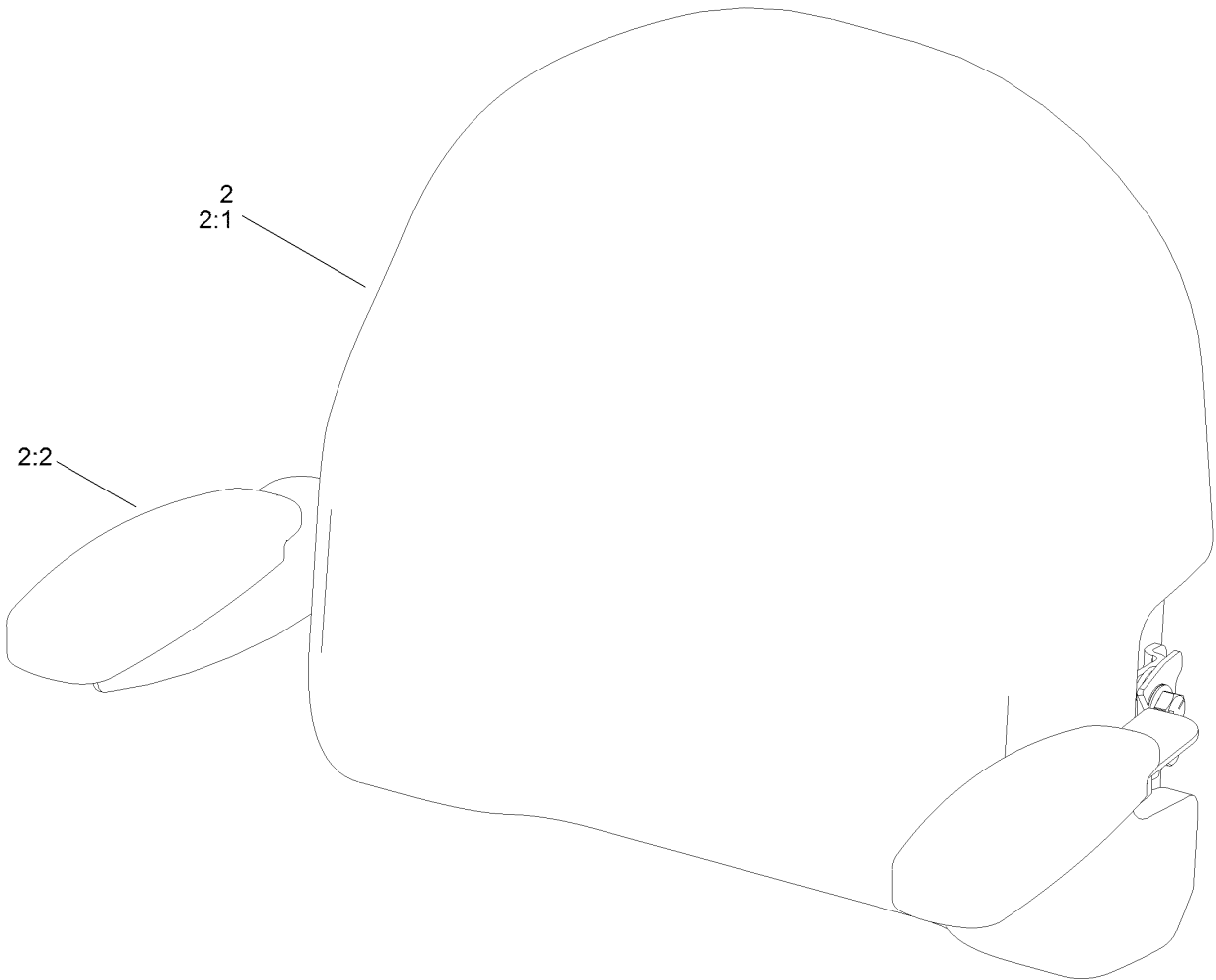
# Seat Pan Assembly



## Seat Pan Assembly (continued)

<i>Ref.</i>	<i>Part Number</i>	<i>Qty.</i>	<i>Description</i>	<i>Ref.</i>	<i>Part Number</i>	<i>Qty.</i>	<i>Description</i>
1	140-5046	1	Subframe ASM	23	135-0505	3	Bumper-Seat
1:2	132-0869	1	Decal-Danger	24	139-5858	1	Spring-Compression
2	138-7540-03	1	Pan-Seat	25	138-2573	4	Bushing-Flange
3	140-8303	1	Seat ASM	26	138-9813	1	Rod-Adjustment
4	138-2563	1	Arm, Swing	27	138-2596	1	Rod-Prop, Seat
5	138-7517	2	Bracket-Mount, Swing Arm	29	140-0357	1	Decal-Myride
6	138-7549	1	Tube-Spacer	30	137-3083	1	Pin-Hair
7	138-9776	2	Retainer-Spring	31	115-1166	1	Washer-Flat
8	137-7018	1	Spring-Torsion, RH	32	138-9753	14	Screw
9	137-1983	1	Spring-Torsion, LH	33	120-7950	2	Screw-Torx
10	138-7566-03	1	Plate-Adjuster	34	139-1716	2	Screw-HH
11	139-2427	1	Shock/Spring ASM	35	138-7548	1	Screw-HHF
12	131-4008-03	1	Bracket-Latch, Seat	36	140-3759	1	Bolt-Shoulder,HHF
13	133-9318-03	1	Bracket-Shock Mount, Upper (LH)	37	92-1057	1	Bolt-Shoulder
14	133-9319-03	1	Bracket-Shock Mount, Upper (RH)	38	138-2547	2	Bolt-Shoulder
15	138-9788	1	Bracket-Cable	39	136-7198	2	Bolt-Shoulder
16	138-7522	2	Bracket-Seat	40	139-5800	1	Bushing - Flange
17	139-2361-03	1	Bracket Lower	42	119-4041	5	Nut-HF
18	138-9814	1	Pulley - Cam	43	119-4042	6	Nut-HF, NI
19	138-9822	1	Lever - Adjustment	44	107069	1	Clip
20	140-5176	1	Knob-Mr	45	137-3111	1	Screw-HHF
21	138-9848	1	Spring-Extension	46	138-7214	1	Bracket-Stop, Seat
22	138-9812	1	Cable-Adjustment, Myride	47	140-5024	2	Screw-HHF
				48	32120-47	1	Ring-Retaining, External

# Seat Assembly No. 140-8303

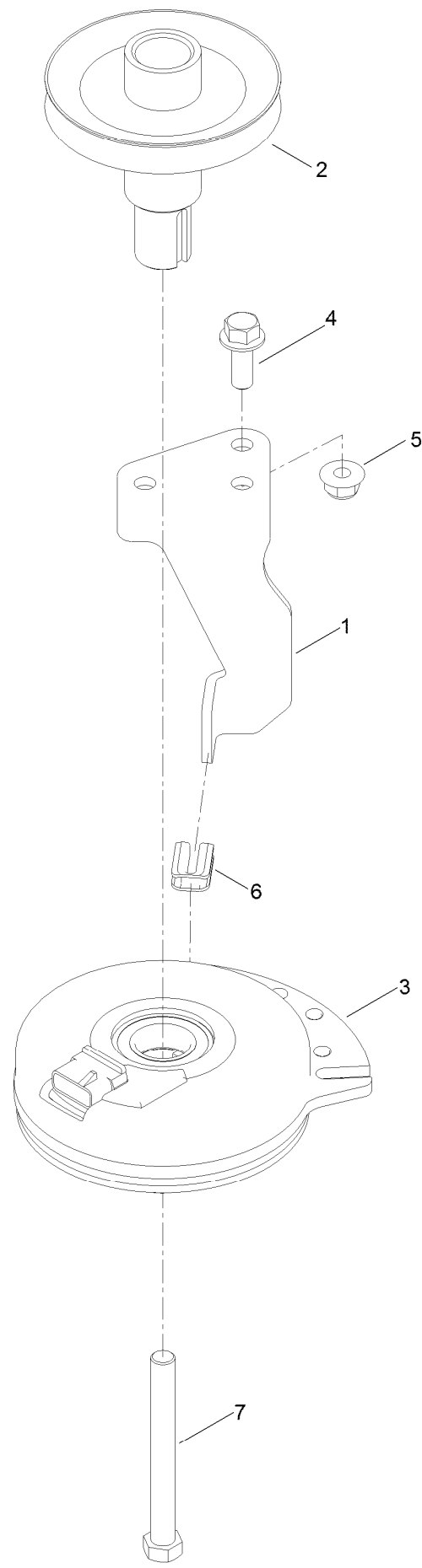




## Seat Assembly No. 140-8303 (continued)

<i>Ref.</i>	<i>Part Number</i>	<i>Qty.</i>	<i>Description</i>	<i>Ref.</i>	<i>Part Number</i>	<i>Qty.</i>	<i>Description</i>
1	140-8323	1	Seat ASM - Bottom	1:5	140-3468	1	Cap-Switch, Actuator
1:1	140-5042	1	Cover-Seat Base	2	140-8324	1	Seat ASM -Back
1:2	82-2190	1	Switch-Bail	2:1	140-5041	1	Cover-Seat Back
1:3	131-4153	1	Track ASM	2:2	139-5823	1	Arm Rest Kit
1:4	131-4154	1	Bushing ASM				

# Clutch Assembly



## Clutch Assembly (continued)

<i>Ref.</i>	<i>Part Number</i>	<i>Qty.</i>	<i>Description</i>	<i>Ref.</i>	<i>Part Number</i>	<i>Qty.</i>	<i>Description</i>
1	138-7275	1	Stop-Clutch (Narrow)	5	119-4042	1	Nut-HF, NI
2	138-9792	1	Pulley-Engine	6	120-2217	1	Isolator-Clutch
3	117-7468	1	Clutch-Electric	7	139-2571	1	Screw-HH
4	139-2597	1	Screw-HHF				

# Attachments and Accessories

## For 74691 TimeCutter MX 4275T Riding Mower

<b>Product Name</b>	<b>Model/Part</b>
Twin Bagger, Timecutter 42 Inch Fab.....	79411
42 Inch Recycler Kit.....	139-3265
42 Inch Bagging Enhancement Kit.....	139-7478
42 Inch Striping Kit.....	140-5159
Hourmeter Kit .....	116-5461
Front Weight Kit.....	140-2050
Assist Bar Kit .....	140-2052
Heavy Duty Spring Kit.....	140-2051
ROPS Kit .....	79485
Slope Sensor Kit.....	79486
LED Light Kit.....	140-2056
Sunshade Kit .....	140-2054
Deck Footlift Assist Kit .....	140-2059
Floormat Kit .....	140-2061
Jack Mount Kit.....	140-2711
Replacement Blade Kit .....	137-1999-03P
Storage Cover .....	490-7516
Seat Cover w/Arm Rest .....	117-0097
4-Cycle Fuel, Snow And Lawn 32oz Can .....	131-3823
Fuel Stabilizer .05 oz .....	130-2393
Toro Premium Fuel Treatment 12 Oz Bottle .....	131-6572
10w30 4-Cycle Engine Oil (32oz Bottle).....	38280
Toro 4-Cycle SAE 30 Oil (32oz Bottle) .....	38903
Mower Deck Drive Belt, TimeCutter SS Riding Mower with 42-inch Mowing Deck.....	79004
Caster Wheel Kit.....	145-0475
Jack Kit.....	127-6666

**Notes:**

**Notes:**

**Notes:**



**Count on it.**