



**Count on it.**

**Parts Catalog**

**21in 60V  
Lawn Mower**

Model No. 21621T—Serial No. 400000000 and Up



# Ordering Replacement Parts

To order replacement parts, please supply the part number, the quantity, and the description of each part desired.

## Understanding Reference Numbers

Each identified part in an illustration has a reference number. The reference number for a part also appears in the parts list, along with other information about the part.

This catalog uses two special reference number formats, one to indicate parts in a service assembly and another to indicate the quantity of a given part in an illustration.

## Service Assembly Reference Numbers

Parts in service assemblies have reference numbers in the form a:b. The a represents the reference number of the entire service assembly and the b represents a sequential number unique to each part within the service assembly.

For example, a wheel assembly might be identified by reference number 6, the tire by 6:1, the valve by 6:2, and the wheel by 6:3. When you order the assembly identified by reference number 6, you receive all parts identified by reference numbers 6:1, 6:2, and 6:3. However, you may also order any part individually. Reference numbers of this type appear in illustration and in parts lists.

## Reference Numbers Indicating Quantity

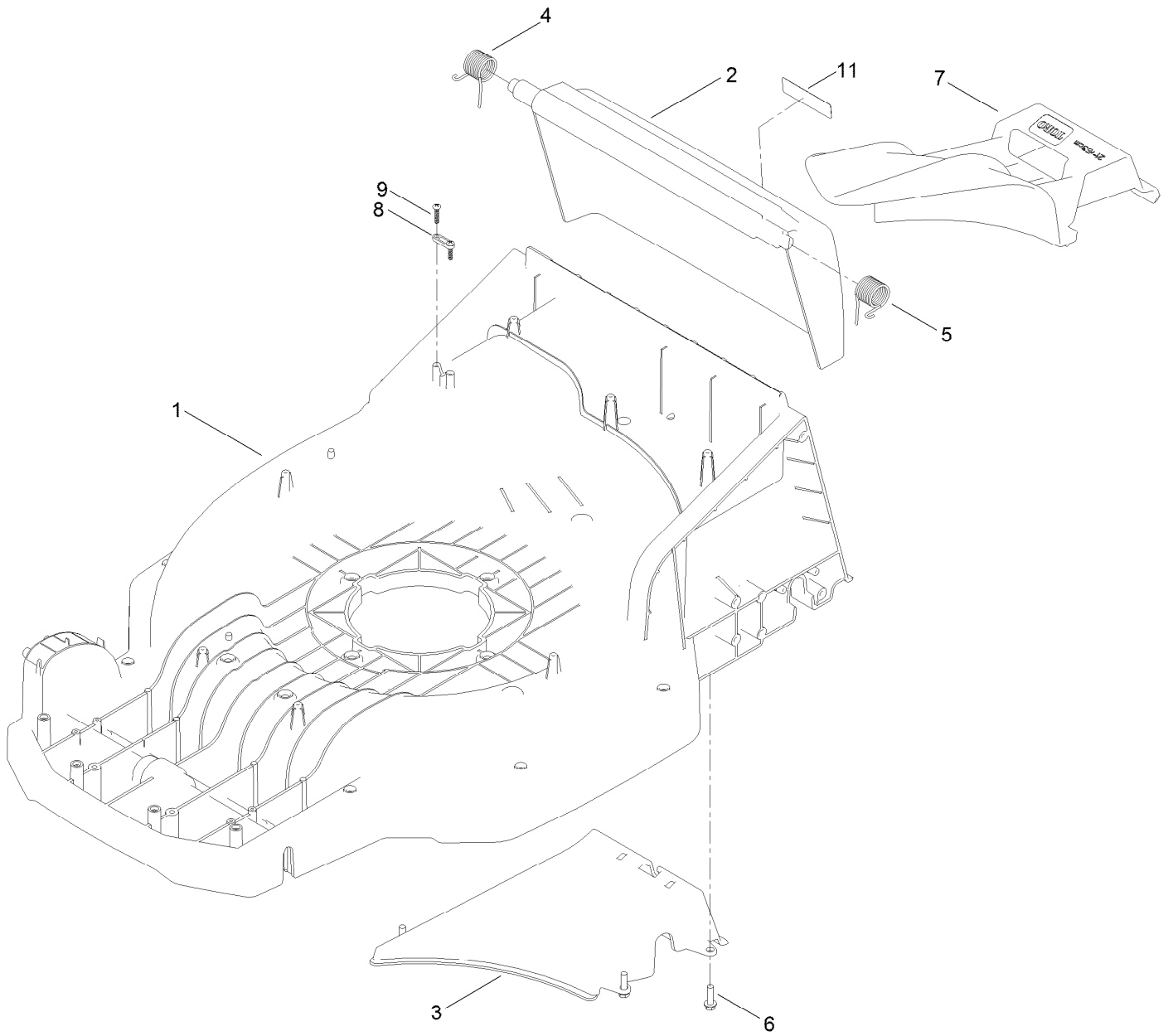
In an illustration, if a reference number indicates more than one part, the reference number has the form nX y. The n represents the quantity of the part, the X is the multiplication symbol, and the y represents the reference number.

For example, in an illustration, the reference number 2X 37 means that two of the parts identified by reference number 37 are indicated.

# Contents

|  |    |
|--|----|
| Deck Assembly .....                          | 4  |
| Grass Bag Assembly .....                     | 6  |
| Decal Assembly .....                         | 8  |
| Shroud Assembly .....                        | 10 |
| Motor Module and Blade Assembly .....        | 12 |
| Motor Module Assembly No. 144-6510 .....     | 14 |
| Front Wheel and Height-of-Cut Assembly ..... | 16 |
| Rear Wheel and Height-of-Cut Assembly .....  | 18 |
| Handle Assembly .....                        | 20 |
| Attachments and Accessories .....            | 22 |

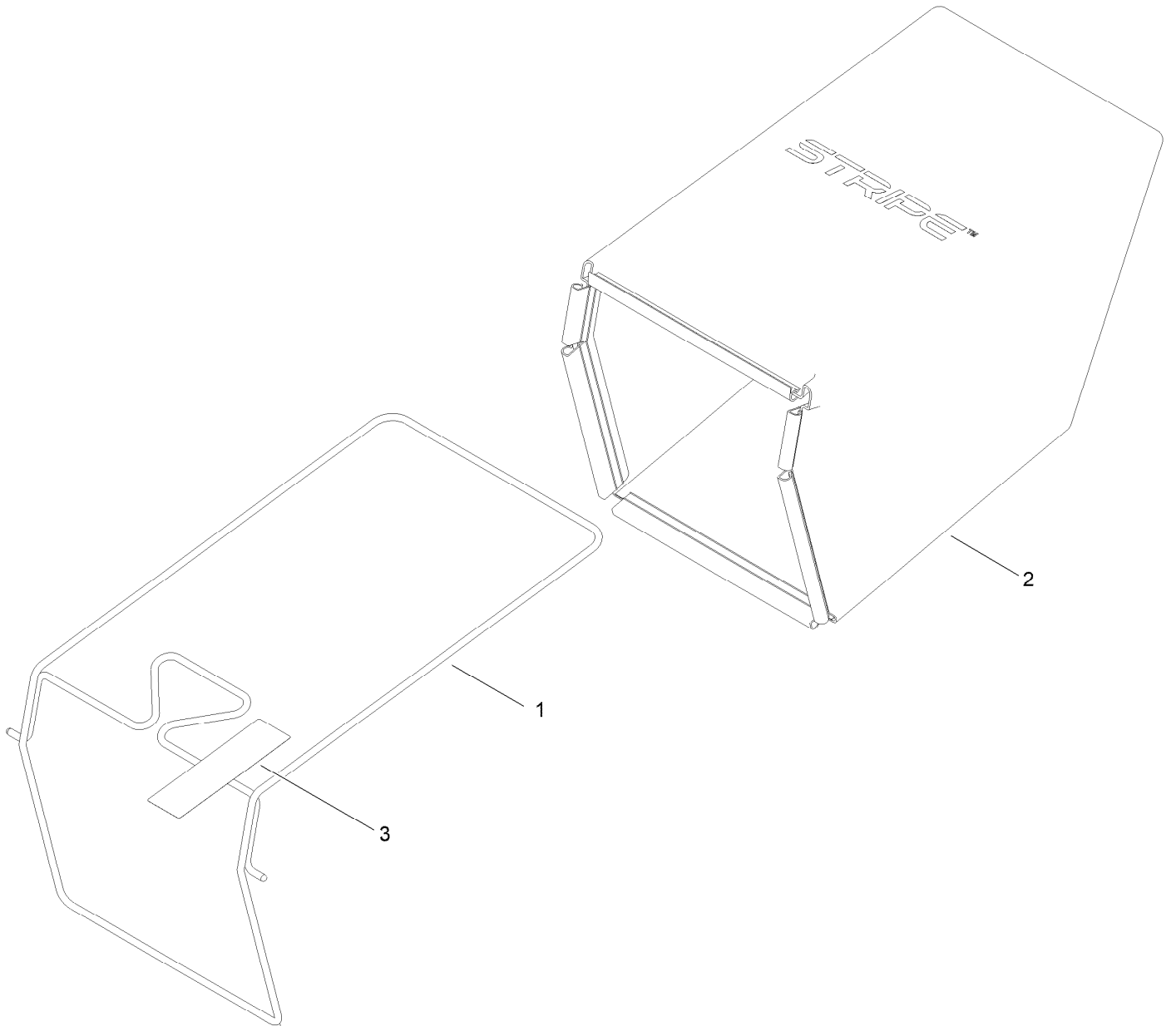
# Deck Assembly



## Deck Assembly (continued)

| <i>Ref.</i> | <i>Part Number</i> | <i>Qty.</i> | <i>Description</i>              | <i>Ref.</i> | <i>Part Number</i> | <i>Qty.</i> | <i>Description</i>                  |
|-------------|--------------------|-------------|---------------------------------|-------------|--------------------|-------------|-------------------------------------|
| 1           | 145-5665           | 1           | Deck-Plastic, 21"               | 6           | 46-8091            | 4           | Screw-HWH                           |
| 2           | 140-2396           | 1           | ASM-Rear Door, In-Mold<br>(60V) | 7           | 145-5667           | 1           | Plug-Discharge                      |
| 3           | 145-5666           | 1           | Ramp-Discharge                  | 8           | 119-3814           | 1           | Clamp-Harness                       |
| 4           | 139-5479           | 1           | Spring-Torsion, RH              | 9           | 94-4496            | 2           | Screw-PPH                           |
| 5           | 139-5478           | 1           | Spring-Torsion, LH              | 11          | 133-8054           | 1           | Decal-Prop 65, Short,<br>Trilingual |

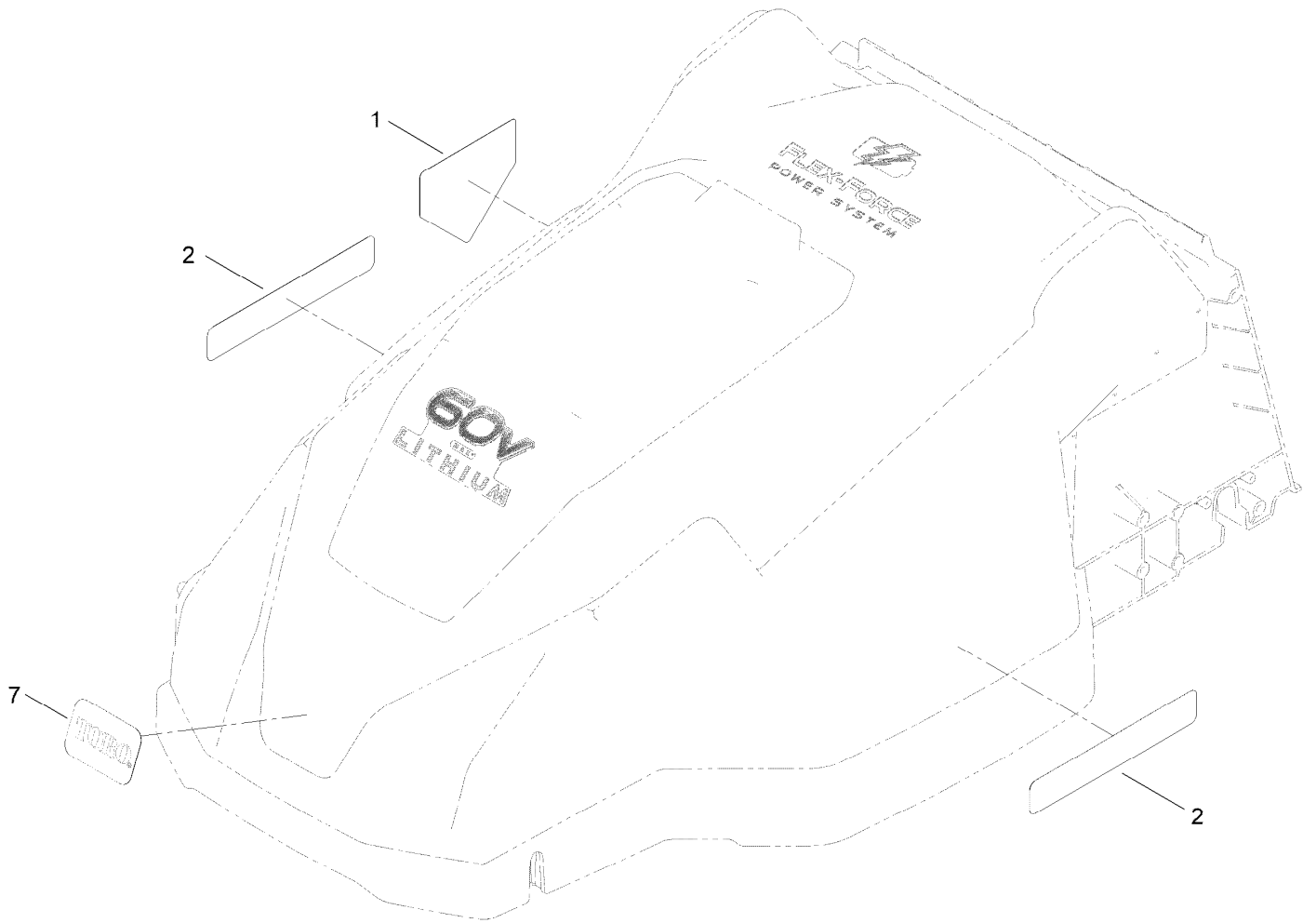
# Grass Bag Assembly



## Grass Bag Assembly (continued)

| <i>Ref.</i> | <i>Part Number</i> | <i>Qty.</i> | <i>Description</i>  |
|-------------|--------------------|-------------|---------------------|
| 1           | 145-5610-01        | 1           | ASM-Frame           |
| 2           | 145-5613           | 1           | ASM-Bag             |
| 3           | 139-8986           | 1           | Decal-Warning (Bag) |

# Decal Assembly

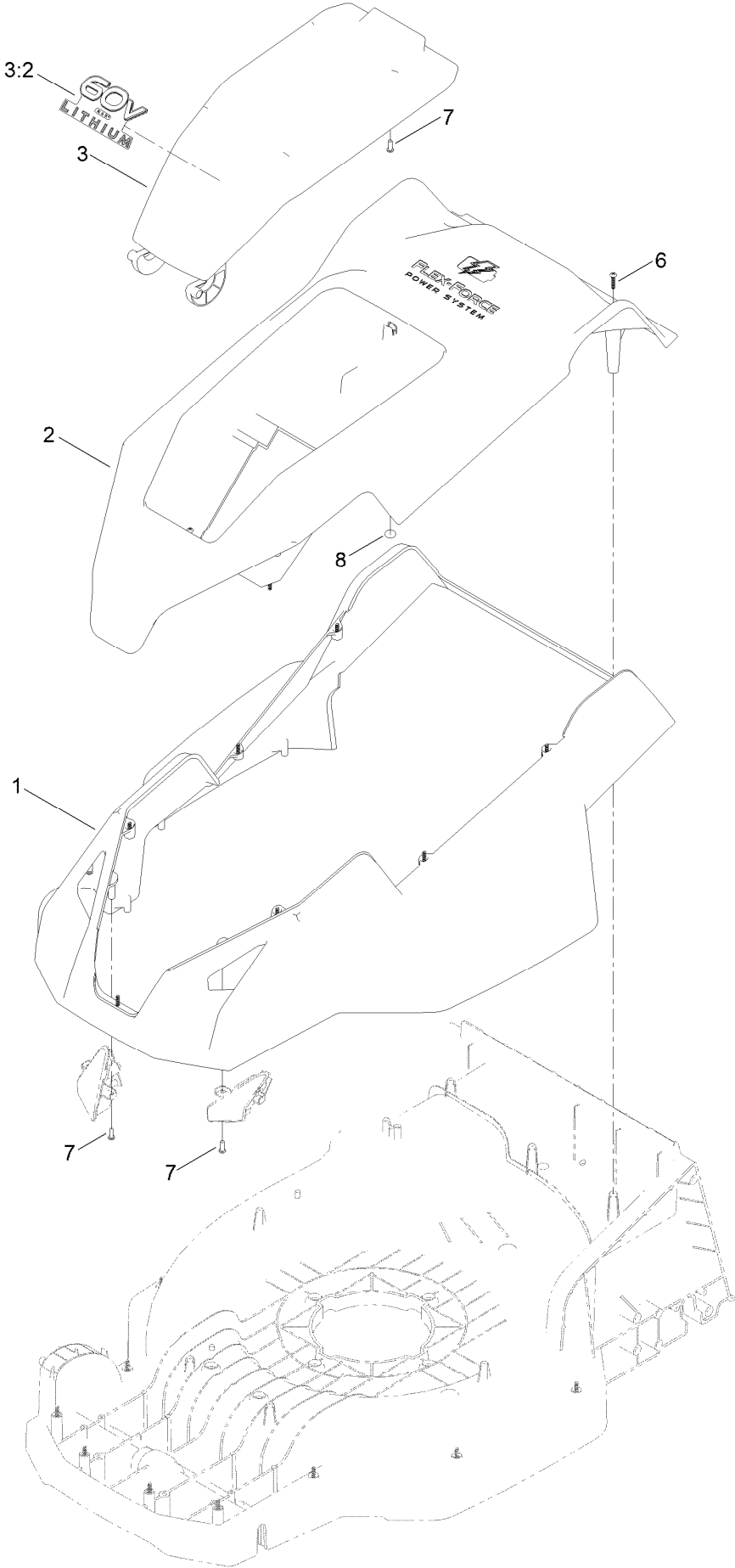




## Decal Assembly (continued)

| <i>Ref.</i> | <i>Part Number</i> | <i>Qty.</i> | <i>Description</i>                 |
|-------------|--------------------|-------------|------------------------------------|
| 1           | 94-8072            | 1           | Decal-Danger                       |
| 2           | 147-4214           | 2           | Decal-Deck                         |
| 7           | 147-4209           | 1           | Decal-Toro, Silver (2.75 X<br>1.8) |

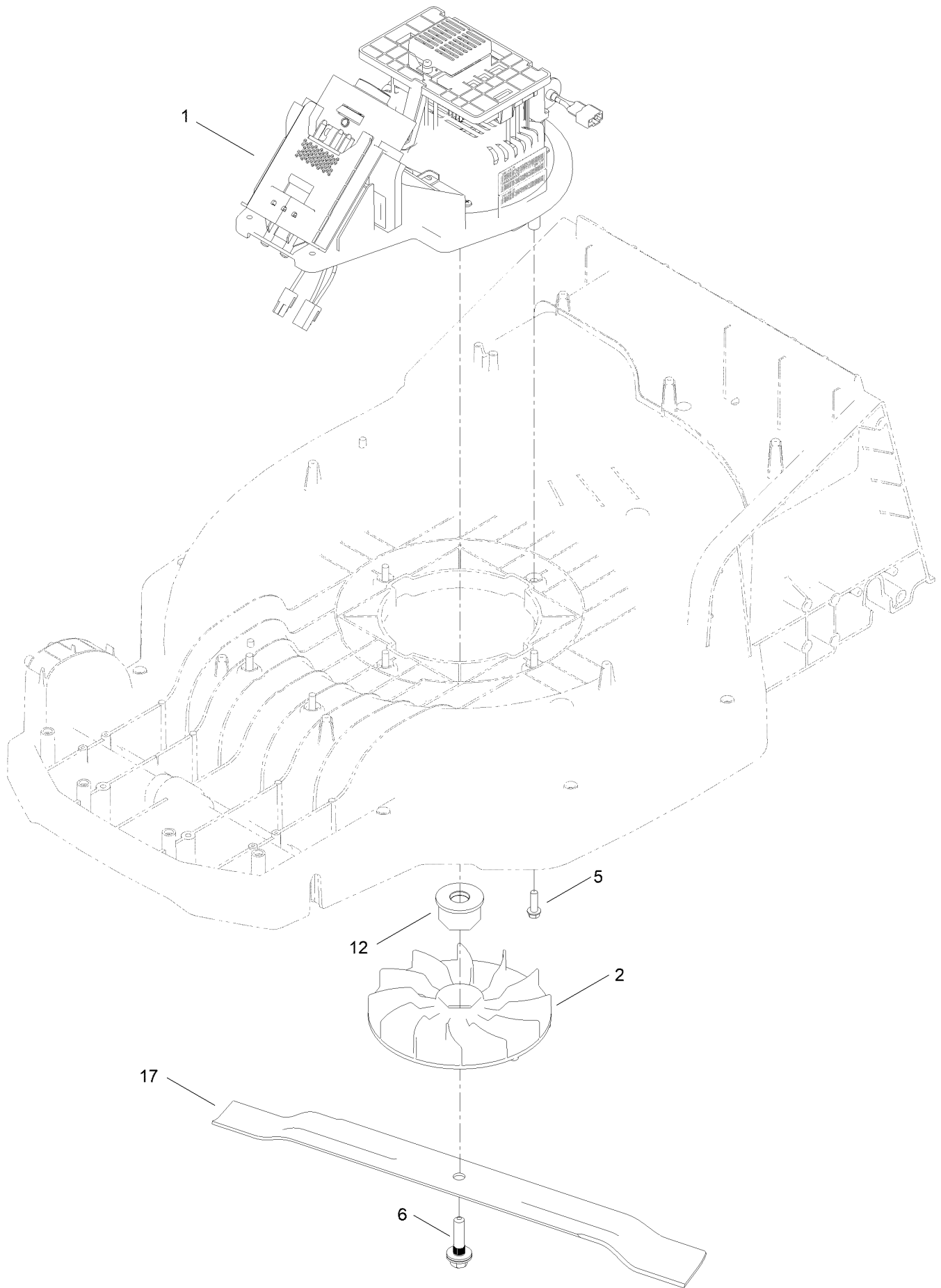
# Shroud Assembly



## Shroud Assembly (continued)

| <i>Ref.</i> | <i>Part Number</i> | <i>Qty.</i> | <i>Description</i> | <i>Ref.</i> | <i>Part Number</i> | <i>Qty.</i> | <i>Description</i> |
|-------------|--------------------|-------------|--------------------|-------------|--------------------|-------------|--------------------|
| 1           | 145-5668           | 1           | Shroud-Bottom, LED | 6           | 94-4496            | 22          | Screw-PPH          |
| 2           | 145-5669           | 1           | Shroud-Top         | 7           | 94-6961            | 5           | Screw              |
| 3           | 147-4239           | 1           | ASM-Cover, Battery | 8           | 145-5696           | 1           | Magnet-Cover       |
| 3:2         | 147-4208           | 1           | Decal-60V, Lithium |             |                    |             |                    |

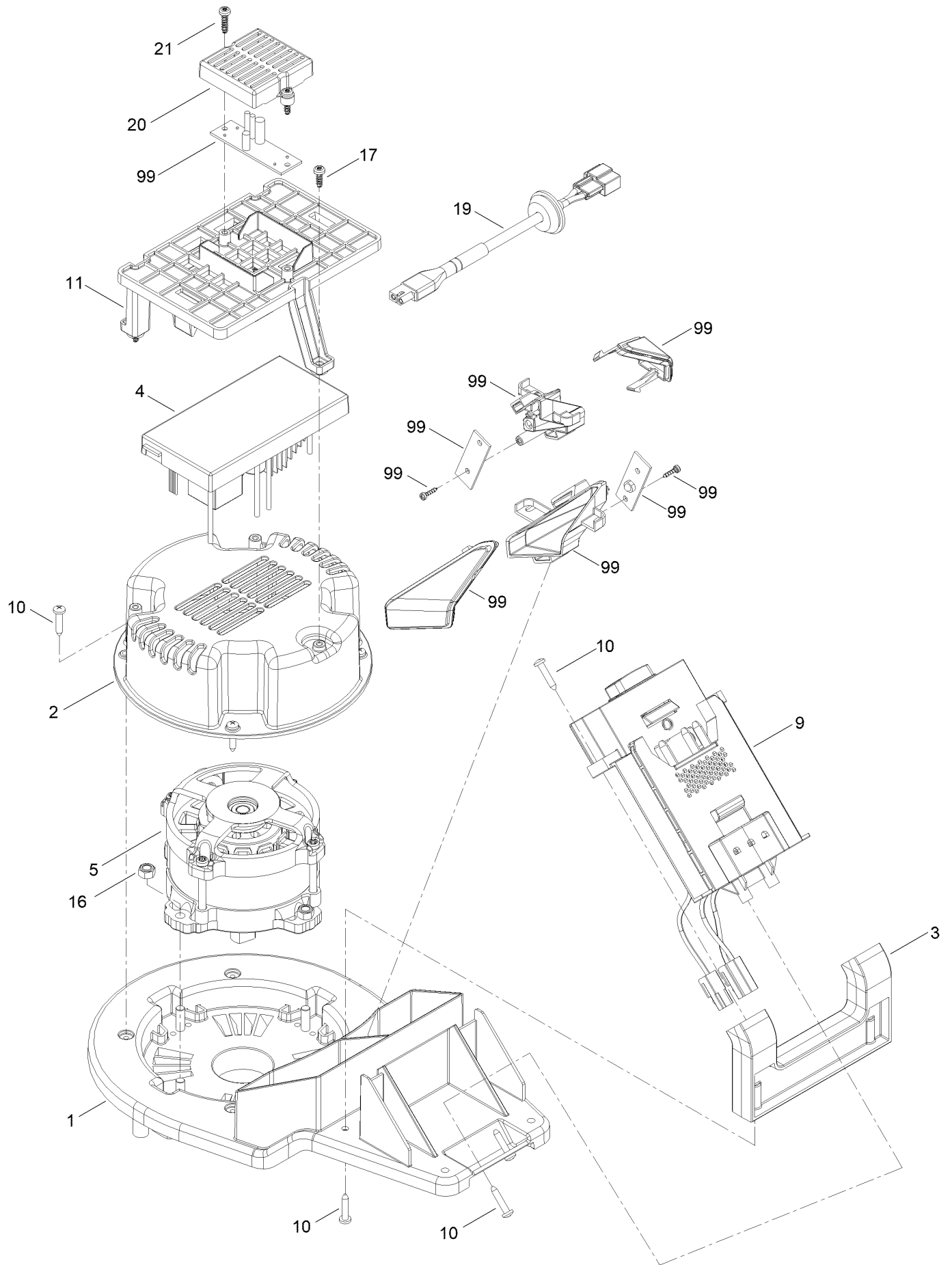
# Motor Module and Blade Assembly



## Motor Module and Blade Assembly (continued)

| <i>Ref.</i> | <i>Part Number</i> | <i>Qty.</i> | <i>Description</i>             | <i>Ref.</i> | <i>Part Number</i> | <i>Qty.</i> | <i>Description</i> |
|-------------|--------------------|-------------|--------------------------------|-------------|--------------------|-------------|--------------------|
| 1           | 144-6510           | 1           | ASM-Power. Cobra Sp<br>(W/LED) | 6           | 145-5695           | 1           | Bolt-Blade, Sems   |
| 2           | 145-5681           | 1           | Fan-Motor                      | 12          | 144-6527           | 1           | Insert-Fan, Motor  |
| 5           | 46-8091            | 6           | Screw-HWH                      | 17          | 145-5684-03        | 1           | Blade-20.25        |

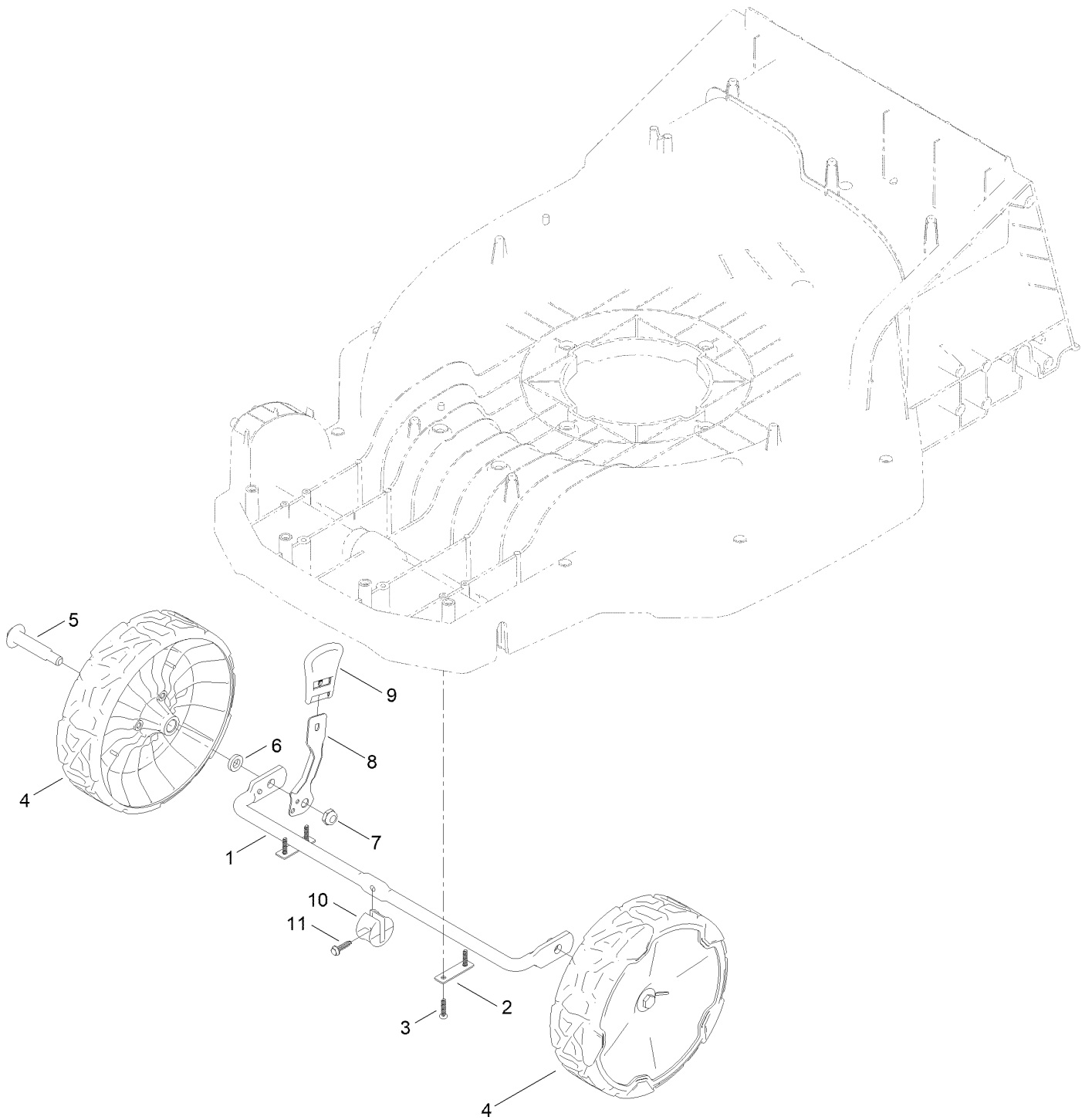
# Motor Module Assembly No. 144-6510



## Motor Module Assembly No. 144-6510 (continued)

| <i>Ref.</i> | <i>Part Number</i> | <i>Qty.</i> | <i>Description</i>       | <i>Ref.</i> | <i>Part Number</i> | <i>Qty.</i> | <i>Description</i>  |
|-------------|--------------------|-------------|--------------------------|-------------|--------------------|-------------|---------------------|
| 1           | 144-6511           | 1           | ASM-Mount, Motor         | 11          | 147-4215           | 1           | Brkt-Controller     |
| 2           | 144-6487           | 1           | Cover-Motor              | 16          | 145-5617           | 4           | Nut-Hex, M6         |
| 3           | 144-6489           | 1           | Support-Receiver         | 17          | 145-5627           | 3           | Screw-Tph, ST4.2X12 |
| 4           | 147-4217           | 1           | Controller-Motor, Sp LED | 19          | 145-5698           | 1           | ASM-Wire, Cobra Sp  |
| 5           | 144-6491           | 1           | Motor-1Kw, 60V           | 20          | 147-4211           | 1           | Cover-Driver, LED   |
| 9           | 137-9404           | 1           | Battery Track ASM        | 21          | 147-4238           | 2           | Screw-Tph, ST4.2X16 |
| 10          | 145-5628           | 10          | Screw-PPH, ST4.2X20      | 99          | 147-4245           | 1           | LED Service ASM     |

# Front Wheel and Height-of-Cut Assembly

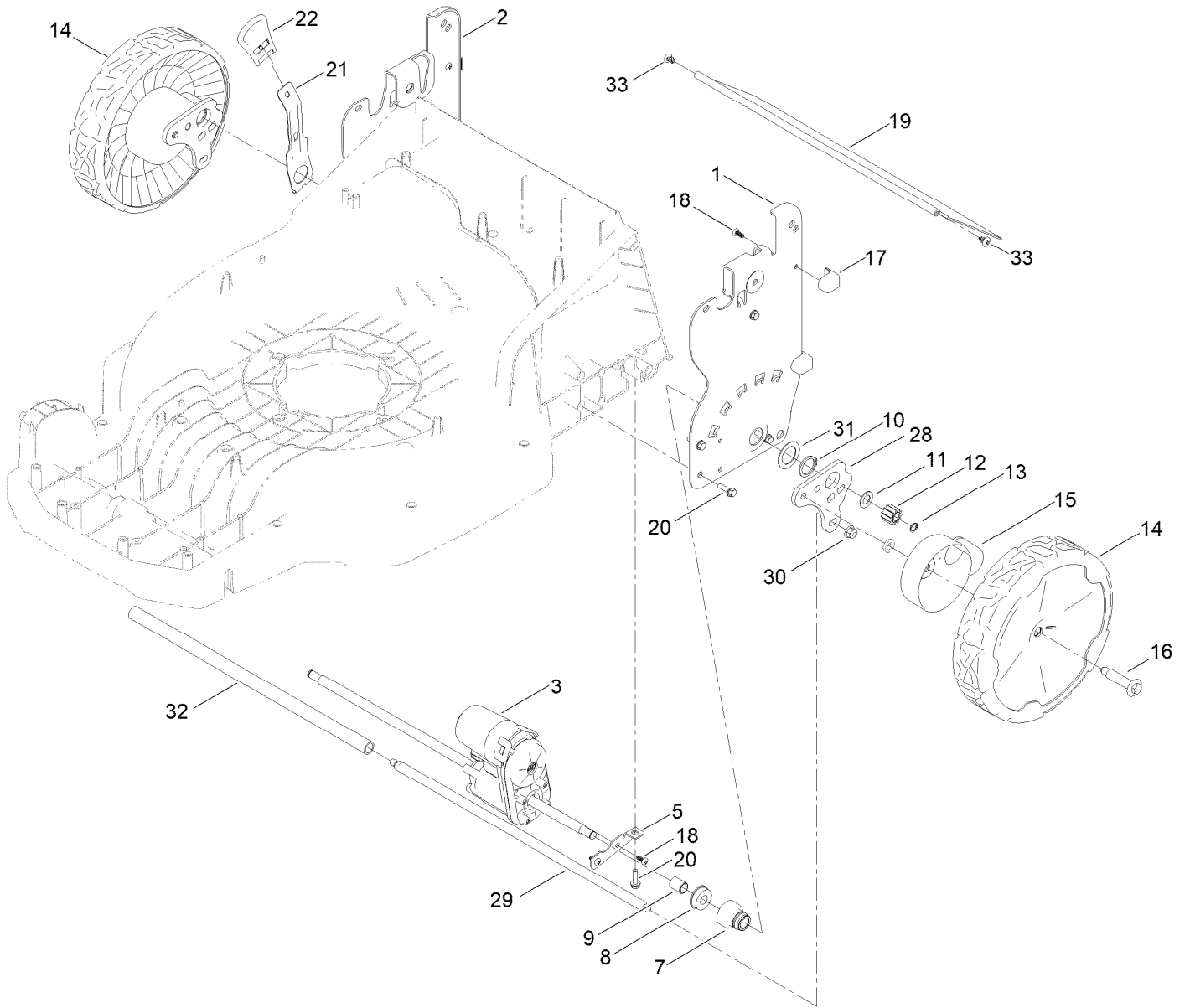




# Front Wheel and Height-of-Cut Assembly (continued)

| <i>Ref.</i> | <i>Part Number</i> | <i>Qty.</i> | <i>Description</i>  | <i>Ref.</i> | <i>Part Number</i> | <i>Qty.</i> | <i>Description</i> |
|-------------|--------------------|-------------|---------------------|-------------|--------------------|-------------|--------------------|
| 1           | 144-6495-03        | 1           | Axle-Front          | 7           | 121-4600           | 2           | Nut-Hex            |
| 2           | 144-6496           | 2           | Strap-Axle          | 8           | 133-8154           | 1           | Arm-Spring         |
| 3           | 94-4496            | 4           | Screw-PPH           | 9           | 110-0549           | 1           | Knob-HOC           |
| 4           | 140-2355           | 2           | ASM-8" Wheel, Idler | 10          | 127-6800           | 1           | Stop-Axle          |
| 5           | 92-1057            | 2           | Bolt-Shoulder       | 11          | 127-6831           | 1           | Screw-HWH          |
| 6           | 139-5449           | 2           | Washer-Wheel Bolt   |             |                    |             |                    |

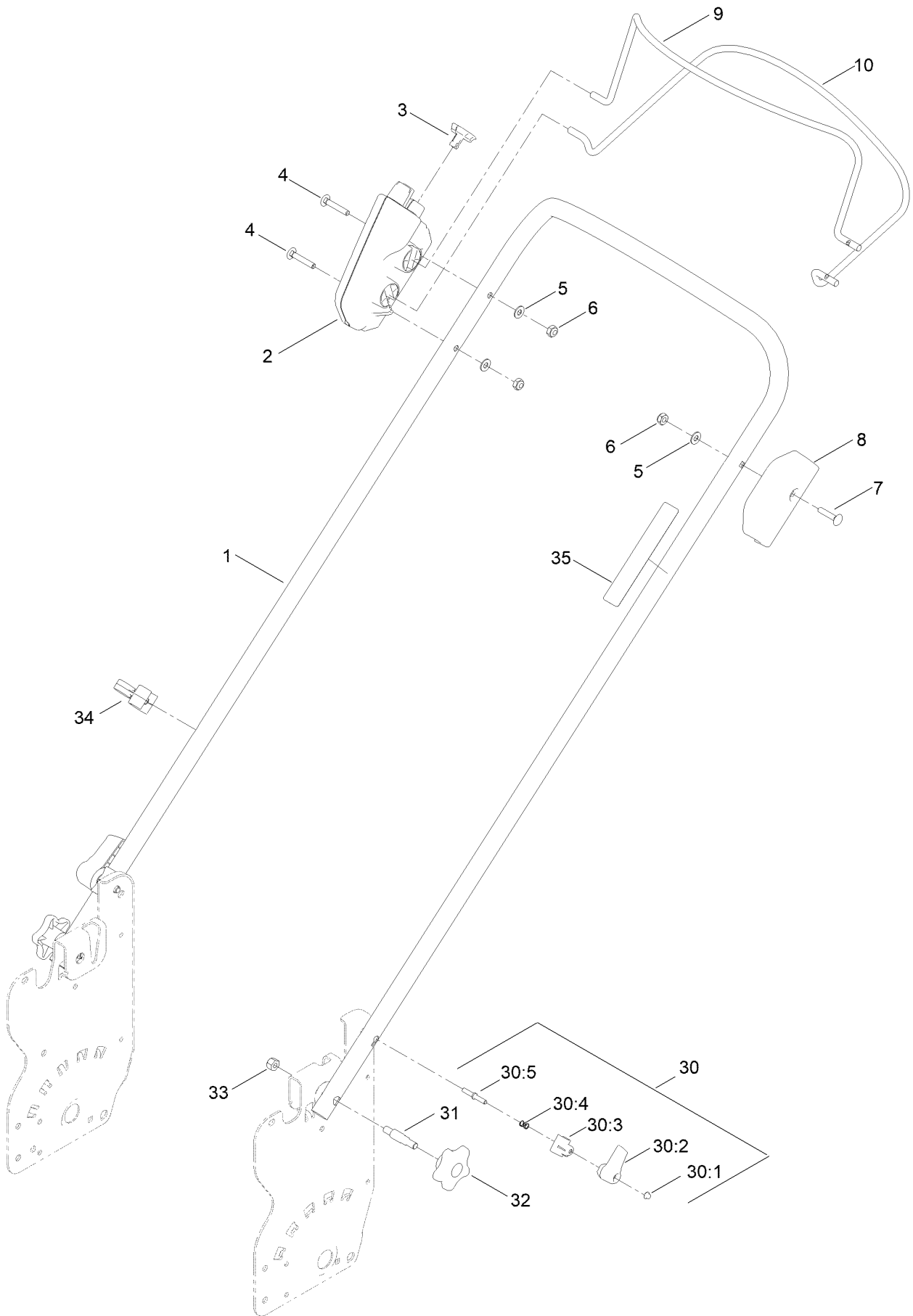
# Rear Wheel and Height-of-Cut Assembly



## Rear Wheel and Height-of-Cut Assembly (continued)

| <i>Ref.</i> | <i>Part Number</i> | <i>Qty.</i> | <i>Description</i>              | <i>Ref.</i> | <i>Part Number</i> | <i>Qty.</i> | <i>Description</i>   |
|-------------|--------------------|-------------|---------------------------------|-------------|--------------------|-------------|----------------------|
| 1           | 144-6542-05        | 1           | Plate-HOC, LH                   | 16          | 145-3899           | 2           | Wheel Bolt           |
| 2           | 144-6541-05        | 1           | Plate-HOC, RH                   | 17          | 140-2369           | 4           | Pad-Smart Stow       |
| 3           | 144-6478           | 1           | Transmission-Electric,<br>Me312 | 18          | 107-7461           | 4           | Screw-Plastite       |
| 5           | 144-6497           | 1           | Brkt-Transmission               | 19          | 144-6543           | 1           | Shield-Trailing      |
| 7           | 131-0836           | 2           | Retainer-Bearing, HOC           | 20          | 46-8091            | 9           | Screw-HWH            |
| 8           | 104-8699           | 2           | Bearing-Ball                    | 21          | 144-6530           | 1           | Arm-Spring           |
| 9           | 108-9782           | 2           | Bushing-Sleeve                  | 22          | 110-0549           | 1           | Knob-HOC             |
| 10          | 32151-36           | 2           | Ring-Retaining                  | 28          | 145-5678           | 2           | Brkt-Pivot, Rear     |
| 11          | 110-7191           | 2           | Washer-Thrust                   | 29          | 144-6513           | 1           | Rod-Connecting, Rear |
| 12          | 144-6428           | 2           | Gear-Pinion, 11T                | 30          | 104-8300           | 2           | Nut-HF, NI           |
| 13          | 144-6480           | 2           | Ring-Retaining, External        | 31          | 3256-42            | 1           | Washer-Flat          |
| 14          | 145-5646           | 2           | ASM-9.65" Wheel, Geared         | 32          | 145-5679           | 1           | Roller-Striper       |
| 15          | 144-6466           | 2           | ASM-Cover, Gear                 | 33          | 139-1692           | 2           | Screw-Thd            |

# Handle Assembly



## Handle Assembly (continued)

| <i>Ref.</i> | <i>Part Number</i> | <i>Qty.</i> | <i>Description</i>     | <i>Ref.</i> | <i>Part Number</i> | <i>Qty.</i> | <i>Description</i>         |
|-------------|--------------------|-------------|------------------------|-------------|--------------------|-------------|----------------------------|
| 1           | 144-6534-05        | 1           | Handle-Mower, Electric | 30:1        | 140-4157           | 1           | Nut-Push                   |
| 2           | 145-5641           | 1           | ASM-Control, 2 Bail    | 30:2        | 138-3248           | 1           | Lever-Release              |
| 3           | 145-5624           | 1           | Key-Bail               | 30:3        | 138-3253           | 1           | Anchor-Spring              |
| 4           | 108-0988           | 2           | Screw-CARR             | 30:4        | 115-2858           | 1           | Spring-Compression         |
| 5           | 3256-1             | 3           | Washer-Flat            | 30:5        | 140-4158           | 1           | Rod-Release                |
| 6           | 139-1724           | 3           | Nut-Lock               | 31          | 139-6588           | 2           | Bolt-Shoulder, Handle      |
| 7           | 3229-3             | 1           | Screw-CARR             | 32          | 117-5976           | 2           | Knob-Handle                |
| 8           | 147-4212           | 1           | Base-Pivot             | 33          | 3296-29            | 2           | Nut-Lock, NI               |
| 9           | 147-4205-03        | 1           | Bail-Blade             | 34          | 114-7988           | 1           | Guide-Cable                |
| 10          | 147-4204-03        | 1           | Bail-Traction          | 35          | 144-3175           | 1           | Decal-Controls (60V Start) |
| 30          | 138-3249           | 2           | Quick Release ASM      |             |                    |             |                            |

# Attachments and Accessories

## For 21621T 21in 60V Lawn Mower

| <b>Product Name</b>                            | <b>Model/Part</b> |
|--|-------------------|
| Chute ASM .....                                | 147-8696          |
| Lawnmower Cover.....                           | 490-7462          |
| Smart Stow Walk Power Mower Cover .....        | 490-2012          |
| Lawn Striping Kit with 22in Roller.....        | 20601             |
| Bag-Walk Behind (Toro).....                    | 490-7318          |
| 60V LI-ION, Battery 4.0 AH .....               | 88640             |
| 60V LI-ION Battery 5.0 AH.....                 | 88650             |
| 60V LI-ION Battery 6.0 AH.....                 | 88660             |
| 60V LI-ION Battery 7.5 AH.....                 | 88675             |
| 60V Cordless Trimmer (Bare Tool).....          | 51830T            |
| 60V Battery Charger 1 AMP .....                | 88610             |
| 60V Cordless Blower (Bare Tool).....           | 51820T            |
| 60V Battery Charger 2 AMP .....                | 88602             |
| Power Clear 21in 60V Cordless (Bare Tool)..... | 39901T            |
| 60V Rapid Battery Charger 5.4 AMP .....        | 88605             |
| 60v 24in Max Hedge Trimmer (Bare Tool).....    | 51840T            |
| 16in 60V Max Chainsaw (Bare Tool).....         | 51850T            |

**Notes:**



**Count on it.**