



**Count on it.**

**Parts Catalog**

**21in 60V  
Lawn Mower**

Model No. 21620—Serial No. 400000000 and Up



# Ordering Replacement Parts

To order replacement parts, please supply the part number, the quantity, and the description of each part desired.

## Understanding Reference Numbers

Each identified part in an illustration has a reference number. The reference number for a part also appears in the parts list, along with other information about the part.

This catalog uses two special reference number formats, one to indicate parts in a service assembly and another to indicate the quantity of a given part in an illustration.

## Service Assembly Reference Numbers

Parts in service assemblies have reference numbers in the form a:b. The a represents the reference number of the entire service assembly and the b represents a sequential number unique to each part within the service assembly.

For example, a wheel assembly might be identified by reference number 6, the tire by 6:1, the valve by 6:2, and the wheel by 6:3. When you order the assembly identified by reference number 6, you receive all parts identified by reference numbers 6:1, 6:2, and 6:3. However, you may also order any part individually. Reference numbers of this type appear in illustration and in parts lists.

## Reference Numbers Indicating Quantity

In an illustration, if a reference number indicates more than one part, the reference number has the form nX y. The n represents the quantity of the part, the X is the multiplication symbol, and the y represents the reference number.

For example, in an illustration, the reference number 2X 37 means that two of the parts identified by reference number 37 are indicated.

# Contents

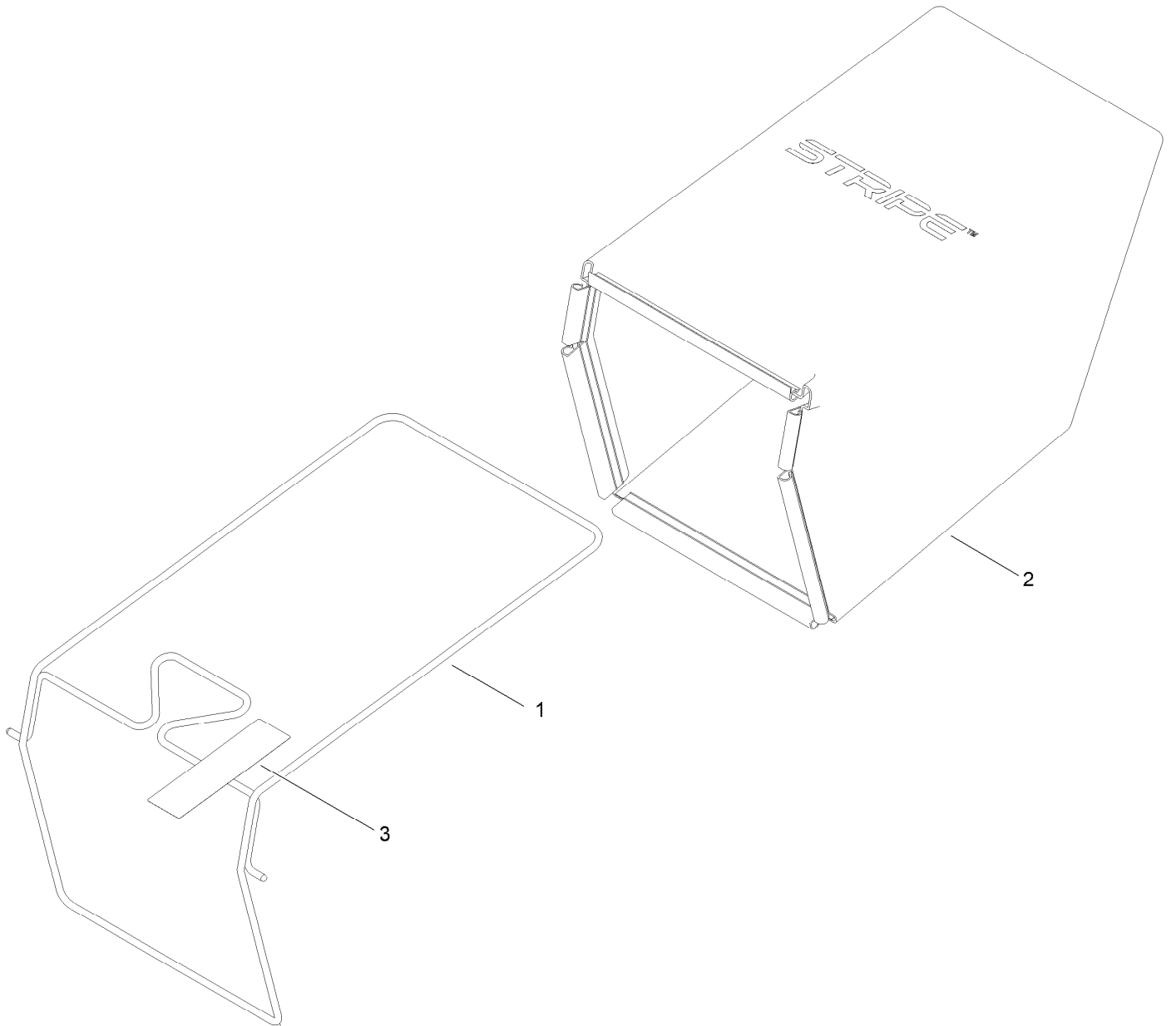
Deck Assembly .....	4
Grass Bag Assembly .....	6
Decal Assembly .....	8
Shroud Assembly .....	10
Engine and Blade Drive Assembly .....	12
Motor Assembly No. 147-4200 .....	14
Front Wheel and Height-of-Cut Assembly .....	16
Rear Wheel and Height-of-Cut Assembly .....	18
Handle Assembly .....	20
Attachments and Accessories .....	22



## Deck Assembly (continued)

<i>Ref.</i>	<i>Part Number</i>	<i>Qty.</i>	<i>Description</i>	<i>Ref.</i>	<i>Part Number</i>	<i>Qty.</i>	<i>Description</i>
1	145-5665	1	Deck-Plastic, 21"	6	46-8091	4	Screw-HWH
2	140-2396	1	ASM-Rear Door, In-Mold (60V)	7	145-5667	1	Plug-Discharge
3	145-5666	1	Ramp-Discharge	8	119-3814	1	Clamp-Harness
4	139-5479	1	Spring-Torsion, RH	9	94-4496	2	Screw-PPH
5	139-5478	1	Spring-Torsion, LH	11	133-8054	1	Decal-Prop 65, Short, Trilingual

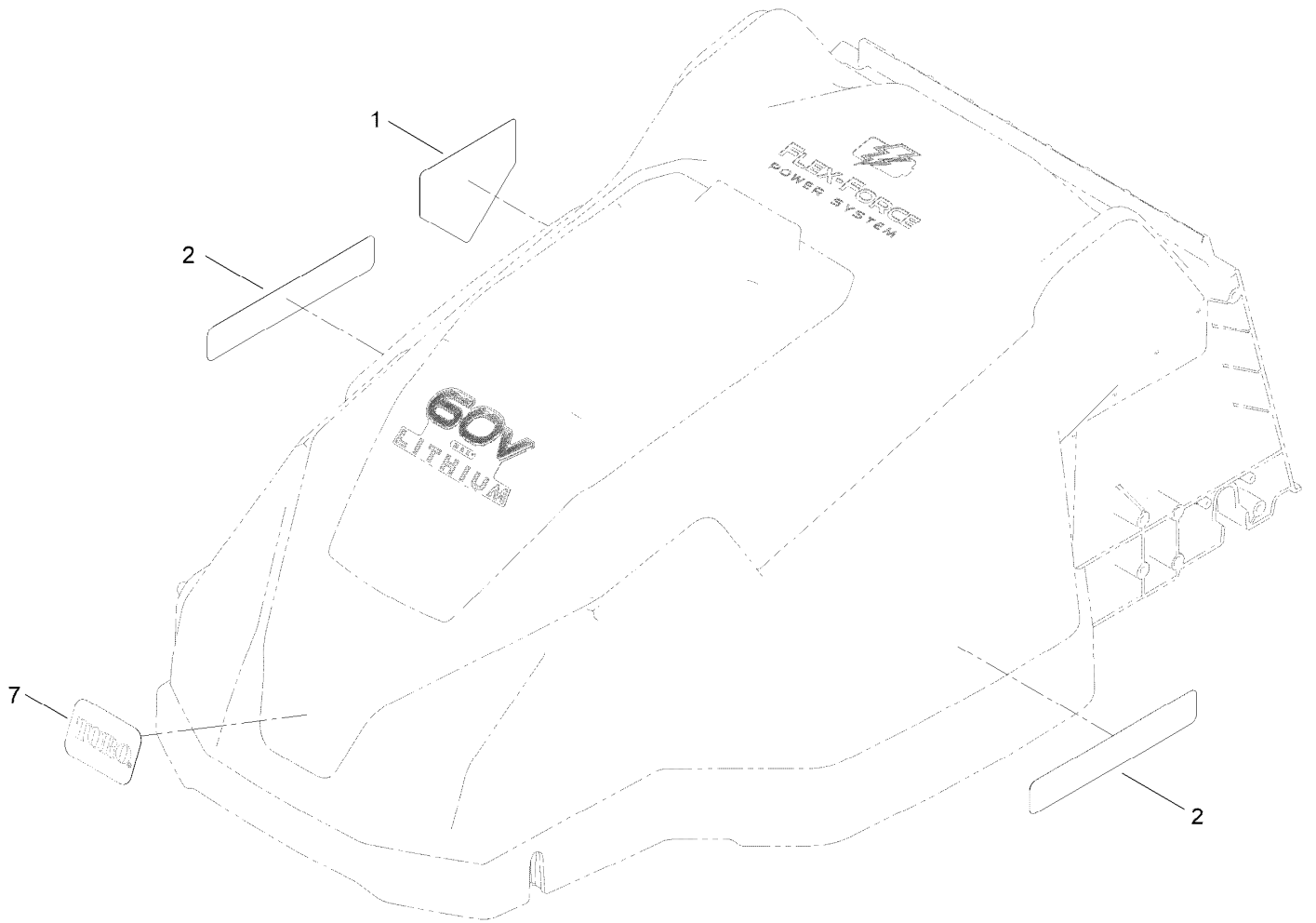
# Grass Bag Assembly



## Grass Bag Assembly (continued)

<i>Ref.</i>	<i>Part Number</i>	<i>Qty.</i>	<i>Description</i>
1	145-5610-01	1	ASM-Frame
2	145-5613	1	ASM-Bag
3	139-8986	1	Decal-Warning (Bag)

# Decal Assembly

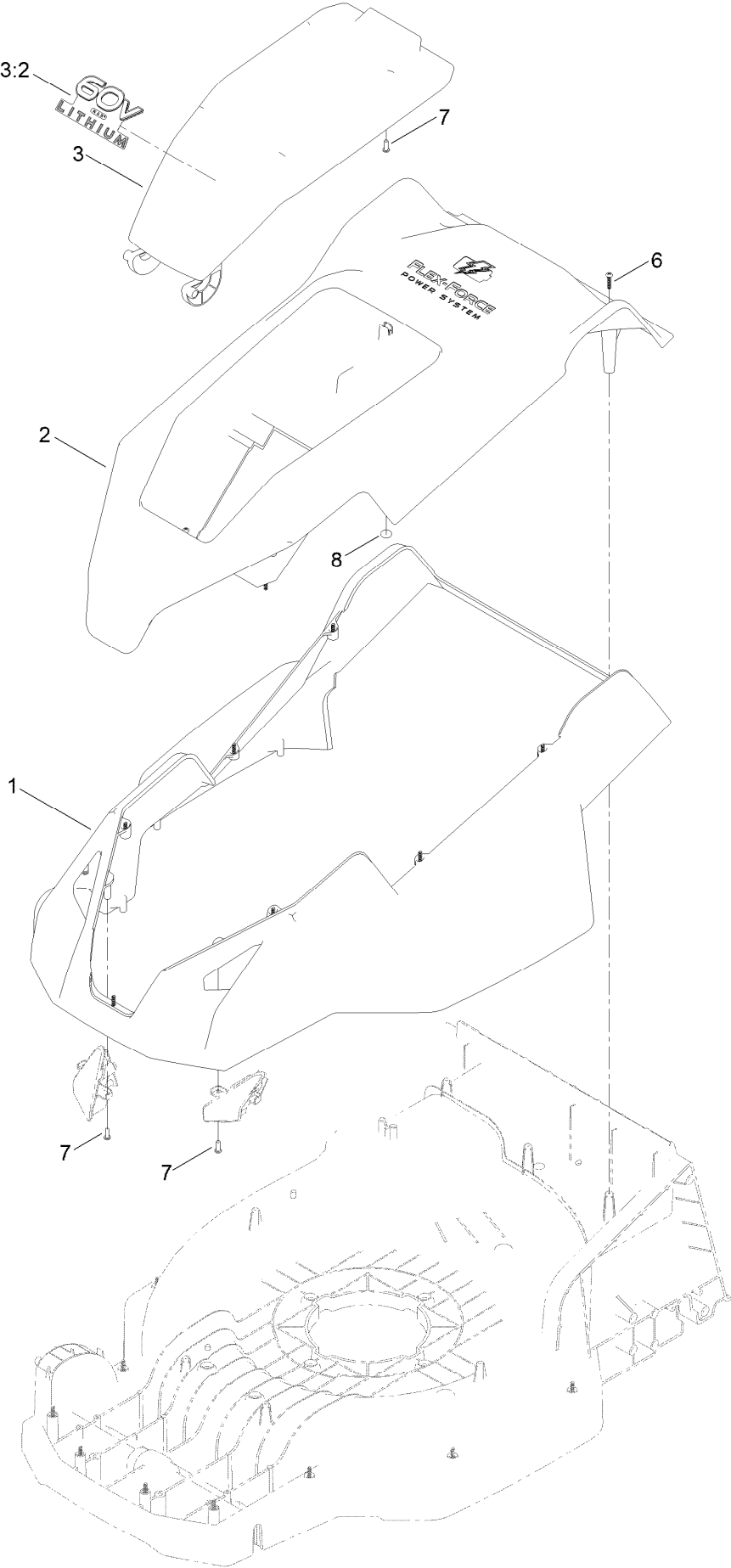




## Decal Assembly (continued)

<i>Ref.</i>	<i>Part Number</i>	<i>Qty.</i>	<i>Description</i>
1	94-8072	1	Decal-Danger
2	147-4214	2	Decal-Deck
7	147-4209	1	Decal-Toro, Silver (2.75 X 1.8)

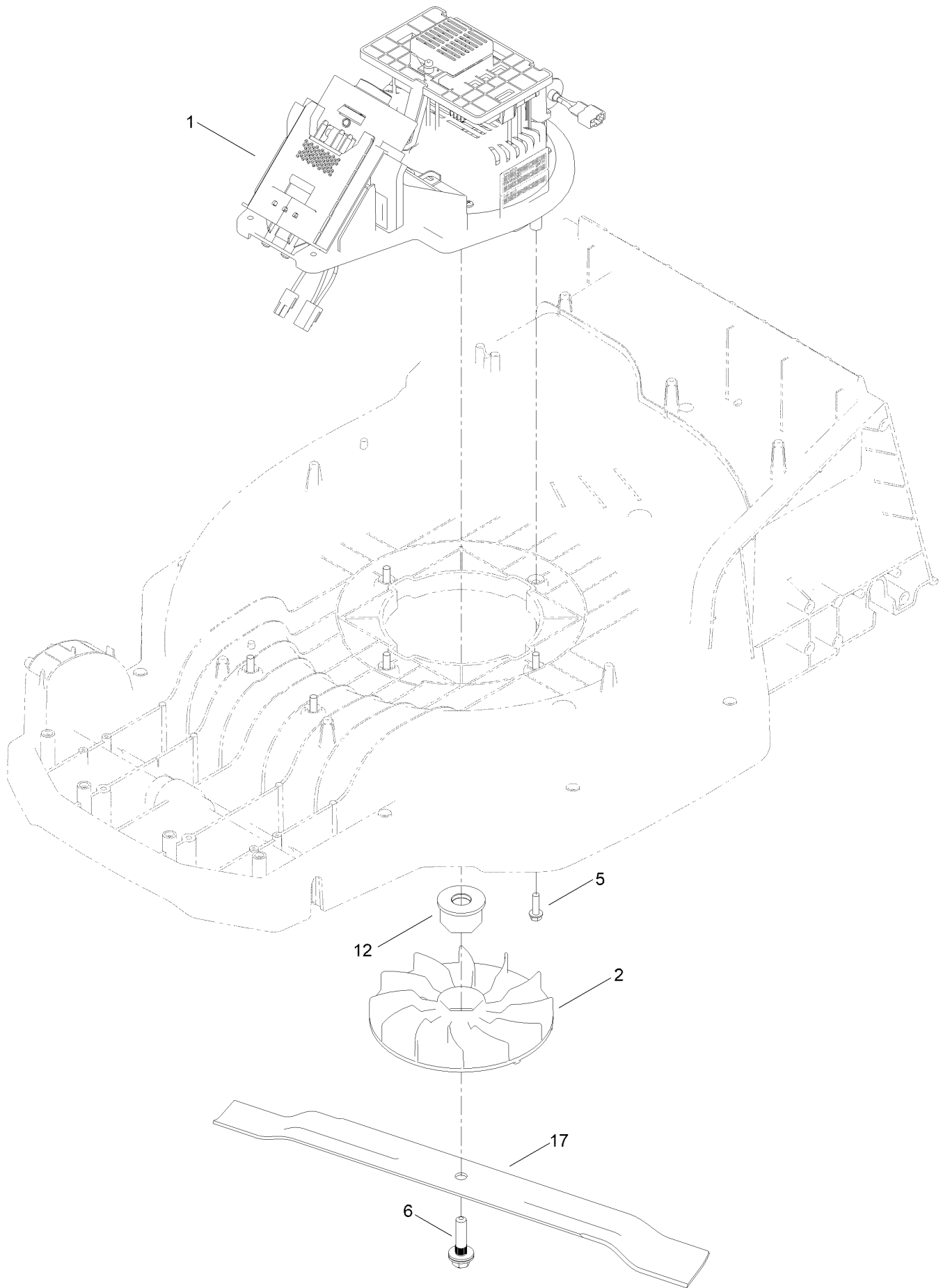
# Shroud Assembly



## Shroud Assembly (continued)

<i>Ref.</i>	<i>Part Number</i>	<i>Qty.</i>	<i>Description</i>	<i>Ref.</i>	<i>Part Number</i>	<i>Qty.</i>	<i>Description</i>
1	145-5673	1	Shroud-Bottom, No LED	6	94-4496	22	Screw-PPH
2	145-5669	1	Shroud-Top	7	94-6961	1	Screw
3	147-4239	1	ASM-Cover, Battery	8	145-5696	1	Magnet-Cover
3:2	147-4208	1	Decal-60V, Lithium				

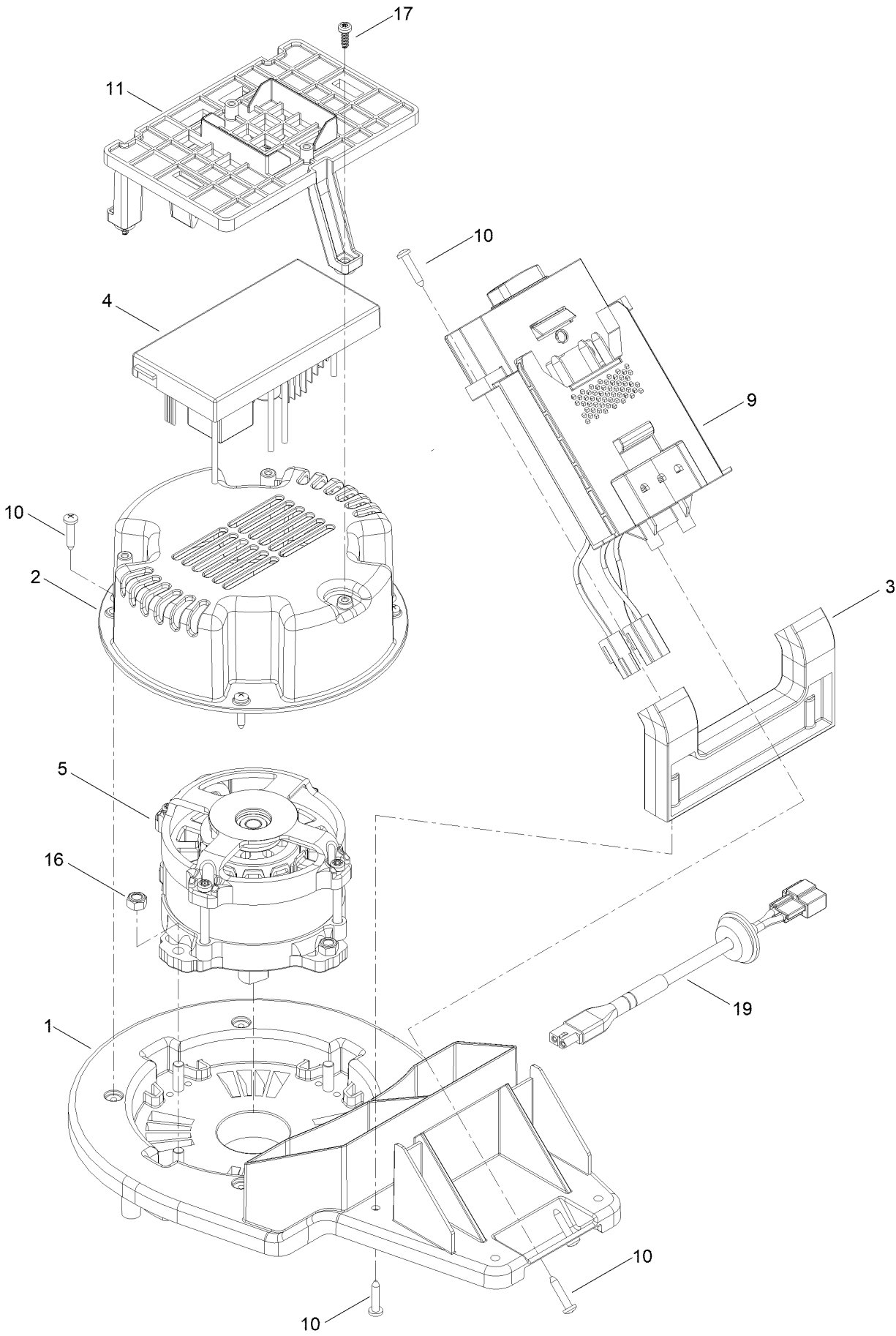
# Engine and Blade Drive Assembly



## Engine and Blade Drive Assembly (continued)

<i>Ref.</i>	<i>Part Number</i>	<i>Qty.</i>	<i>Description</i>	<i>Ref.</i>	<i>Part Number</i>	<i>Qty.</i>	<i>Description</i>
1	147-4200	1	ASM-Power. Cobra Sp (W/No LED)	6	145-5695	1	Bolt-Blade, Sems
2	145-5681	1	Fan-Motor	12	144-6527	1	Insert-Fan, Motor
5	46-8091	6	Screw-HWH	17	145-5684-03	1	Blade-20.25"

# Motor Assembly No. 147-4200

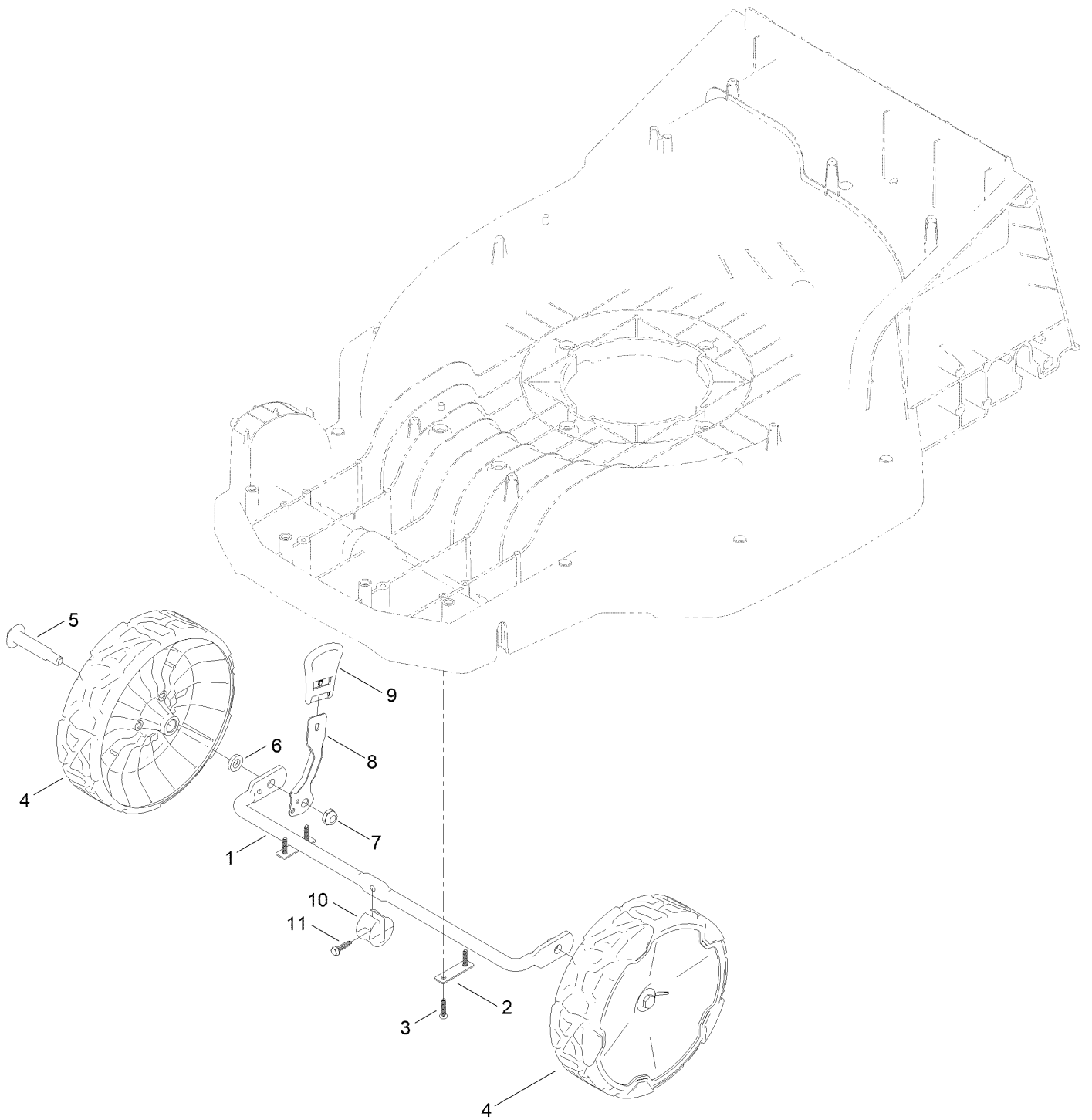


## Motor Assembly No. 147-4200 (continued)

<i>Ref.</i>	<i>Part Number</i>	<i>Qty.</i>	<i>Description</i>
1	144-6511	1	ASM-Mount, Motor
2	144-6487	1	Cover-Motor
3	144-6489	1	Support-Receiver
4	147-4219	1	Controller-Motor, Sp No LED
5	144-6491	1	Motor-1Kw, 60V

<i>Ref.</i>	<i>Part Number</i>	<i>Qty.</i>	<i>Description</i>
9	137-9404	1	Battery Track ASM
10	145-5628	10	Screw-PPH, ST4.2X20
11	147-4215	1	Brkt-Controller
16	145-5617	4	Nut-Hex, M6
17	145-5627	3	Screw-Tph, ST4.2X12
19	145-5698	1	ASM-Wire, Cobra Sp

# Front Wheel and Height-of-Cut Assembly

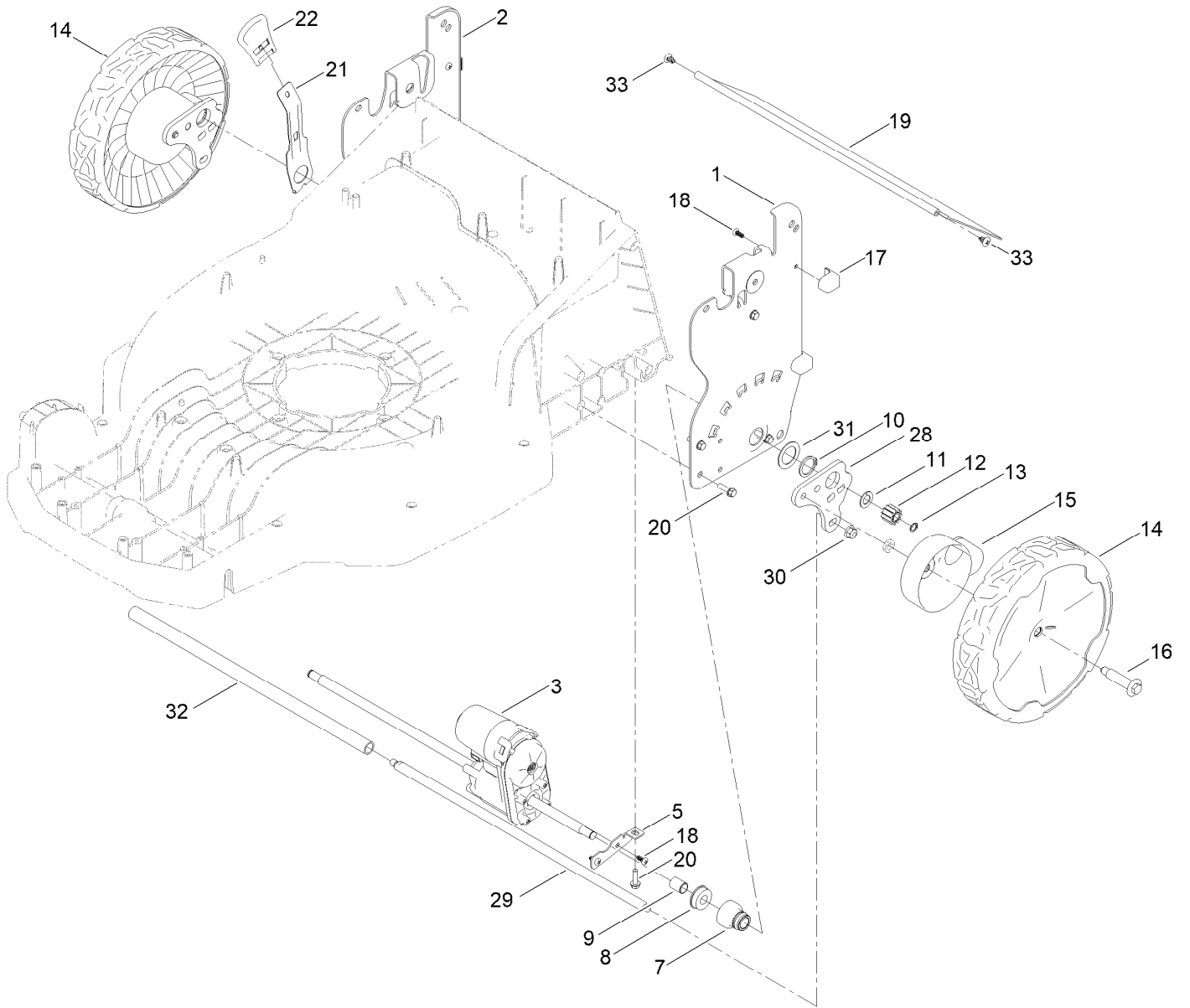




## Front Wheel and Height-of-Cut Assembly (continued)

<i>Ref.</i>	<i>Part Number</i>	<i>Qty.</i>	<i>Description</i>	<i>Ref.</i>	<i>Part Number</i>	<i>Qty.</i>	<i>Description</i>
1	144-6495-03	1	Axle-Front	7	121-4600	2	Nut-Hex
2	144-6496	2	Strap-Axle	8	133-8154	1	Arm-Spring
3	94-4496	4	Screw-PPH	9	110-0549	1	Knob-HOC
4	140-2355	2	ASM-8" Wheel, Idler	10	127-6800	1	Stop-Axle
5	92-1057	2	Bolt-Shoulder	11	127-6831	1	Screw-HWH
6	139-5449	2	Washer-Wheel Bolt				

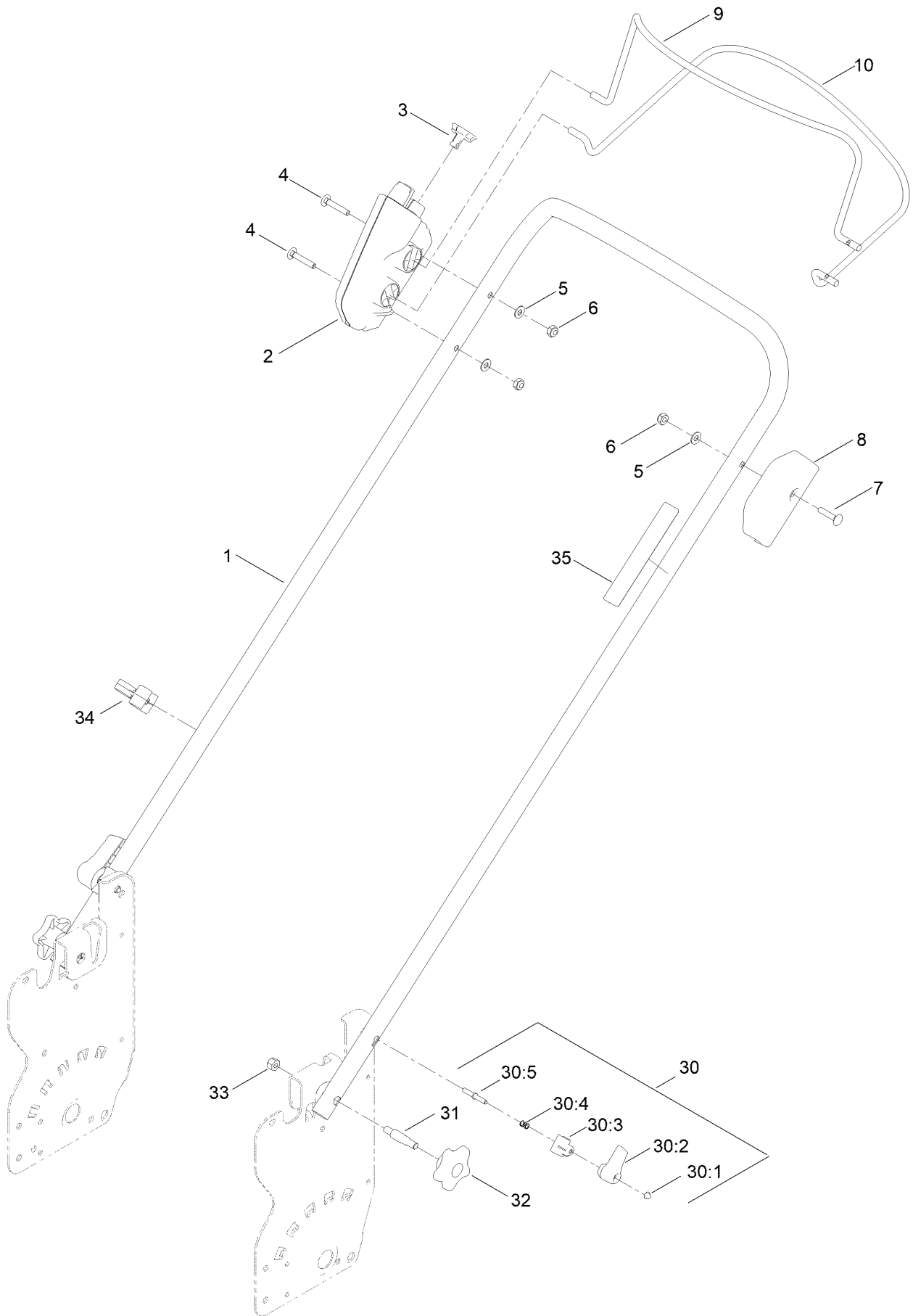
# Rear Wheel and Height-of-Cut Assembly



## Rear Wheel and Height-of-Cut Assembly (continued)

<i>Ref.</i>	<i>Part Number</i>	<i>Qty.</i>	<i>Description</i>	<i>Ref.</i>	<i>Part Number</i>	<i>Qty.</i>	<i>Description</i>
1	144-6542-05	1	Plate-HOC, LH	16	145-3899	2	Wheel Bolt
2	144-6541-05	1	Plate-HOC, RH	17	140-2369	4	Pad-Smart Stow
3	144-6478	1	Transmission-Electric, Me312	18	107-7461	4	Screw-Plastite
5	144-6497	1	Brkt-Transmission	19	144-6543	1	Shield-Trailing
7	131-0836	2	Retainer-Bearing, HOC	20	46-8091	9	Screw-HWH
8	104-8699	2	Bearing-Ball	21	144-6530	1	Arm-Spring
9	108-9782	2	Bushing-Sleeve	22	110-0549	1	Knob-HOC
10	32151-36	2	Ring-Retaining	28	145-5678	2	Brkt-Pivot, Rear
11	110-7191	2	Washer-Thrust	29	144-6513	1	Rod-Connecting, Rear
12	144-6428	2	Gear-Pinion, 11T	30	104-8300	2	Nut-HF, NI
13	144-6480	2	Ring-Retaining, External	31	3256-42	1	Washer-Flat
14	145-5646	2	ASM-9.65" Wheel, Geared	32	145-5679	1	Roller-Striper
15	144-6466	2	ASM-Cover, Gear	33	139-1692	2	Screw-Thd

# Handle Assembly



## Handle Assembly (continued)

<i>Ref.</i>	<i>Part Number</i>	<i>Qty.</i>	<i>Description</i>	<i>Ref.</i>	<i>Part Number</i>	<i>Qty.</i>	<i>Description</i>
1	144-6534-05	1	Handle-Mower, Electric	30:1	140-4157	1	Nut-Push
2	145-5641	1	ASM-Control, 2 Bail	30:2	138-3248	1	Lever-Release
3	145-5624	1	Key-Bail	30:3	138-3253	1	Anchor-Spring
4	108-0988	2	Screw-CARR	30:4	115-2858	1	Spring-Compression
5	3256-1	3	Washer-Flat	30:5	140-4158	1	Rod-Release
6	139-1724	3	Nut-Lock	31	139-6588	2	Bolt-Shoulder, Handle
7	3229-3	1	Screw-CARR	32	117-5976	2	Knob-Handle
8	147-4212	1	Base-Pivot	33	3296-29	2	Nut-Lock, NI
9	147-4205-03	1	Bail-Blade	34	114-7988	1	Guide-Cable
10	147-4204-03	1	Bail-Traction	35	144-3175	1	Decal-Controls (60V Start)
30	138-3249	2	Quick Release ASM				

# Attachments and Accessories

## For 21620 21in 60V Lawn Mower

<b>Product Name</b>	<b>Model/Part</b>
Chute ASM .....	139-6556
Lawnmower Cover.....	490-7462
Smart Stow Walk Power Mower Cover .....	490-2012
Lawn Striping Kit with 22in Roller.....	20601
Bag-Walk Behind (Toro).....	490-7318
60V LI-ION, Battery 4.0 AH .....	88640
60V LI-ION Battery 5.0 AH.....	88650
60V LI-ION Battery 6.0 AH.....	88660
60V LI-ION Battery 7.5 AH.....	88675
60V Battery Charger 1 AMP .....	88610
60V Battery Charger 2 AMP .....	88602
60V Rapid Battery Charger 5.4 AMP .....	88605
60V Cordless Blower (Bare Tool).....	51820T
60V Cordless Trimmer (Bare Tool).....	51830T
60v 24in Max Hedge Trimmer (Bare Tool).....	51840T
16in 60V Max Chainsaw (Bare Tool).....	51850T
Power Clear 21in 60V Cordless (Bare Tool).....	39901T

**Notes:**



**Count on it.**