



**Count on it.**

**Parts Catalog**

**122cm Z Master® 4000 Series  
Riding Mower**

Model No. 74048TE—Serial No. 411435568 and Up



# Ordering Replacement Parts

To order replacement parts, please supply the part number, the quantity, and the description of each part desired.

## Understanding Reference Numbers

Each identified part in an illustration has a reference number. The reference number for a part also appears in the parts list, along with other information about the part.

This catalog uses two special reference number formats, one to indicate parts in a service assembly and another to indicate the quantity of a given part in an illustration.

## Service Assembly Reference Numbers

Parts in service assemblies have reference numbers in the form a:b. The a represents the reference number of the entire service assembly and the b represents a sequential number unique to each part within the service assembly.

For example, a wheel assembly might be identified by reference number 6, the tire by 6:1, the valve by 6:2, and the wheel by 6:3. When you order the assembly identified by reference number 6, you receive all parts identified by reference numbers 6:1, 6:2, and 6:3. However, you may also order any part individually. Reference numbers of this type appear in illustration and in parts lists.

## Reference Numbers Indicating Quantity

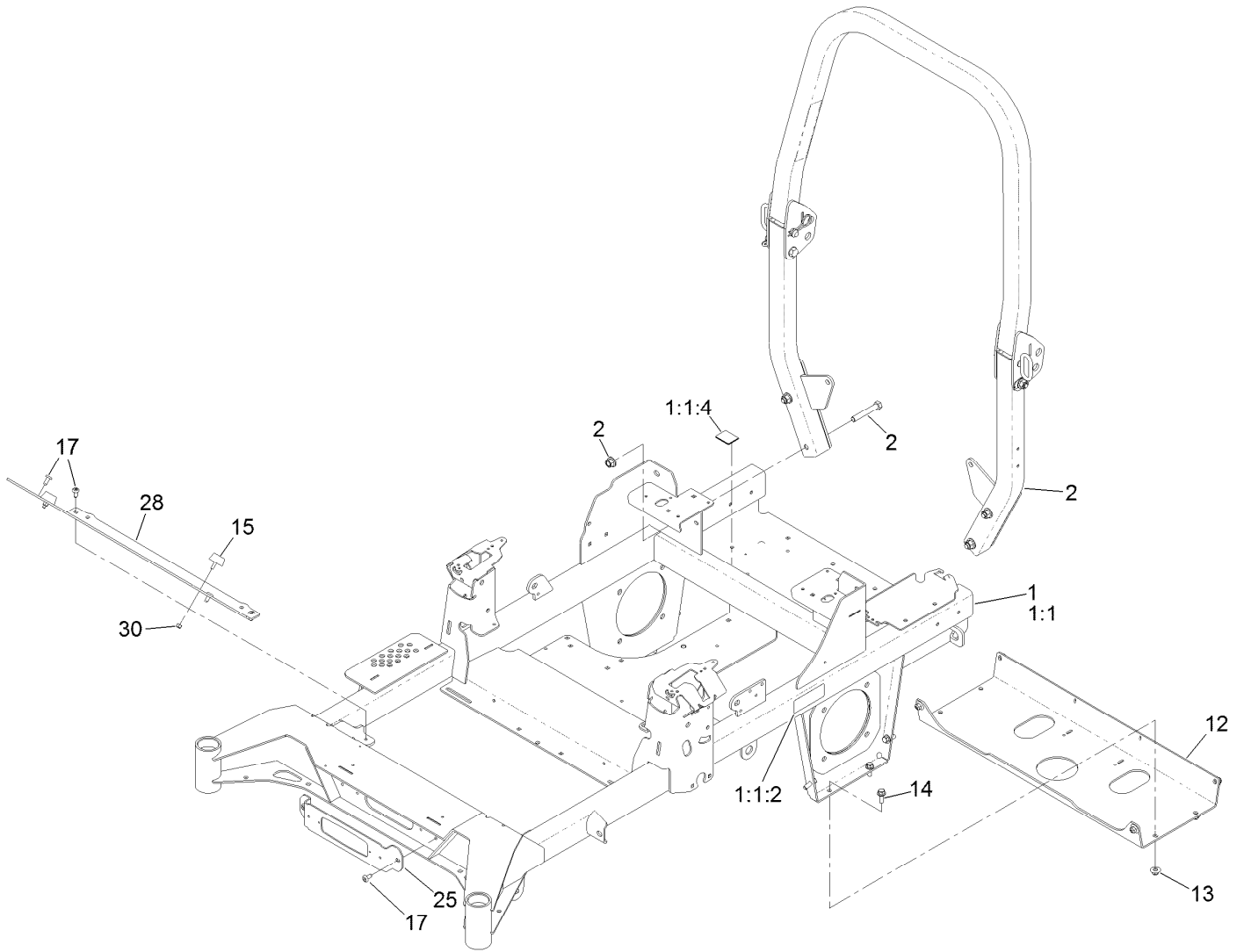
In an illustration, if a reference number indicates more than one part, the reference number has the form nX y. The n represents the quantity of the part, the X is the multiplication symbol, and the y represents the reference number.

For example, in an illustration, the reference number 2X 37 means that two of the parts identified by reference number 37 are indicated.

# Contents

Frame Assembly	4
Roll-Over Protection System Assembly No. 139-8063	6
Hydraulic Drive Assembly	8
LH Transaxle Assembly No. 145-3696	10
RH Transaxle Assembly No. 145-3695	12
Throttle, Choke Cables and Guard Assembly	14
Fuel System Assembly	16
Fuel Tank Assembly No. 139-6722	18
Tank Retainer Assembly	20
Motion Control Assembly	22
Left and Right Control Arm Assembly	24
Caster Wheel Assembly	26
Caster and Wheel Assembly	28
Rear Wheel Assembly	30
Electrical Assembly	32
Wire Harness Assembly No. 139-8078	34
Deck Lift Assembly	36
Deck Strut Assembly No. 140-1179	38
Engine, Clutch and Muffler Assembly	40
Seat Suspension Platform Assembly	42
Seat Assembly No. 144-2631	44
Decal Assembly	46
Deck Assembly	48
Deck Decal Assembly No. 144-6586	50
Spindle Assembly No. 137-9780	52
Deflector Assembly No. 144-2635	54
Idler Arm Assembly No. 139-1087	56
Attachments and Accessories	58

# Frame Assembly

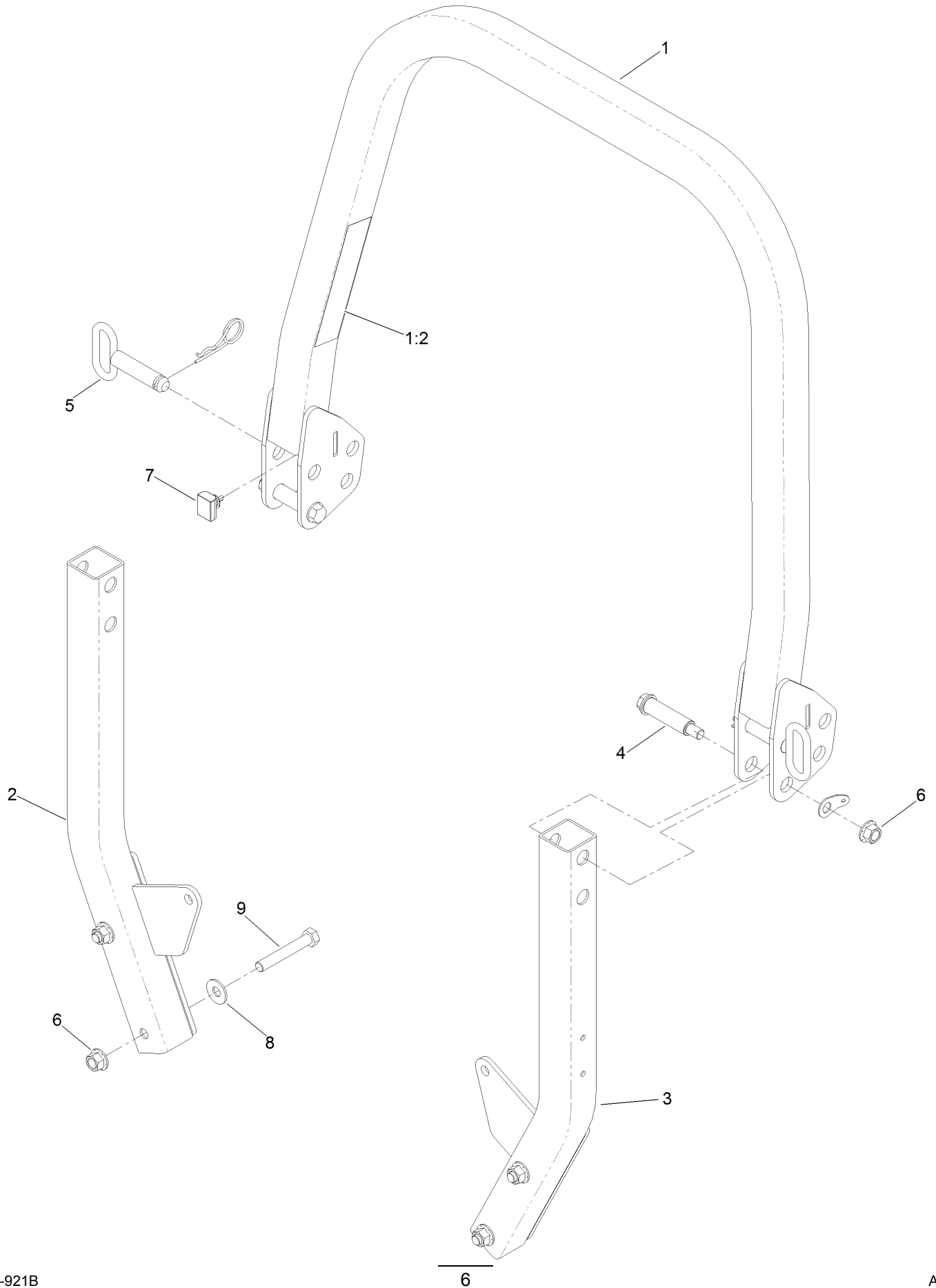


## Frame Assembly (continued)

<i>Ref.</i>	<i>Part Number</i>	<i>Qty.</i>	<i>Description</i>	<i>Ref.</i>	<i>Part Number</i>	<i>Qty.</i>	<i>Description</i>
1	144-6589	1	Frame ASM	14	3234-42	8	Screw-HHF
1:1		1	Frame-48/52 ●	15	131-8834	2	Bumper
1:1:2	126-4363	2	Decal-Warning	17	138-9753	6	Screw
1:1:4	144-2687	1	Decal, Belt Routing	25	140-4994-01	1	Bracket-Light
2	139-8063	1	ASM-ROPS	28	140-4997-01	1	Toeboard [red]
12	139-6717-01	1	Plate-Hydro	30	3296-42	2	Nut-Lock, NI
13	109-6658	8	Nut-Flange, NI				

● Not serviced separately

# Roll-Over Protection System Assembly No. 139-8063

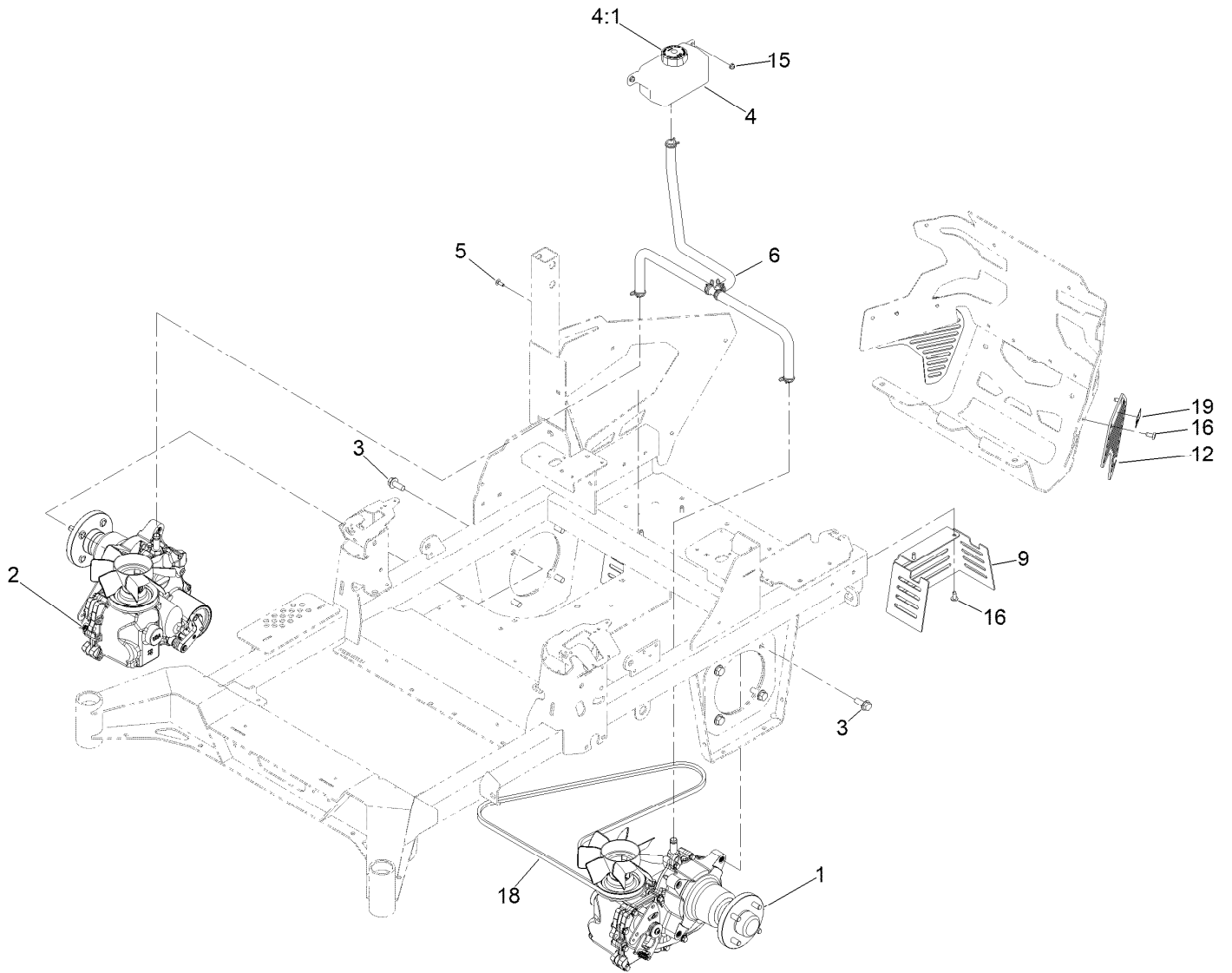


# Roll-Over Protection System Assembly No. 139-8063 (continued)

<i>Ref.</i>	<i>Part Number</i>	<i>Qty.</i>	<i>Description</i>	<i>Ref.</i>	<i>Part Number</i>	<i>Qty.</i>	<i>Description</i>
1		1	Upper ROPS ASM ●	4	126-9209	2	Bolt-Shoulder
1:2	107-3069	1	Decal-Warning	5	103-4553	2	Pin-Fold, ROPS
2		1	ASM-ROPS, RH Suspension [black] ●	6	99-5107	6	Nut-Lock
3		1	ASM-ROPS, LH Suspension [black] ●	7	109-5337	2	Bumper-ROPS
				8	109-9505	4	Washer-Spring
				9	325-13	4	Screw-HH

● Not serviced separately

# Hydraulic Drive Assembly

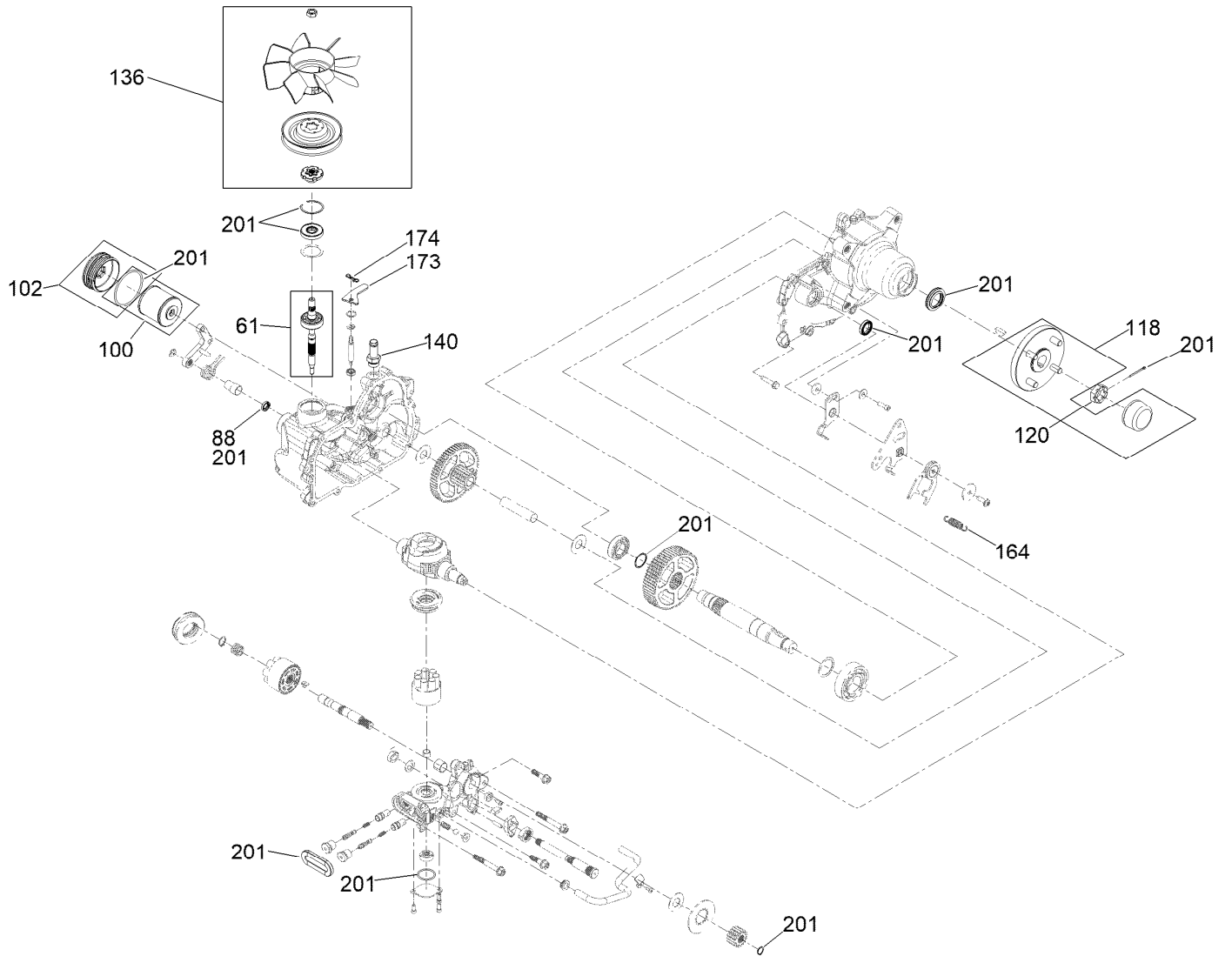




# Hydraulic Drive Assembly (continued)

<i>Ref.</i>	<i>Part Number</i>	<i>Qty.</i>	<i>Description</i>	<i>Ref.</i>	<i>Part Number</i>	<i>Qty.</i>	<i>Description</i>
1	145-3696	1	LH Transaxle ASM W/Arm	9	145-1949-03	2	Guard-Clutch [black]
2	145-3695	1	RH Transaxle ASM W/Arm	12	144-6591-03	2	Guard-Muffler, Te
3	3234-38	8	Screw-HHF	15	104-7201	2	Nut-HF, NI
4	119-9908	1	Hydraulic Reservoir ASM	16	138-9753	8	Screw
4:1	109-3320	1	Cap-Reservoir, HYD	18	140-7994	1	Belt-V
5	3229-28	2	Screw-CARR	19	106-5517	2	Decal-Warning
6	140-1225	1	ASM-Hose, Hydraulic				

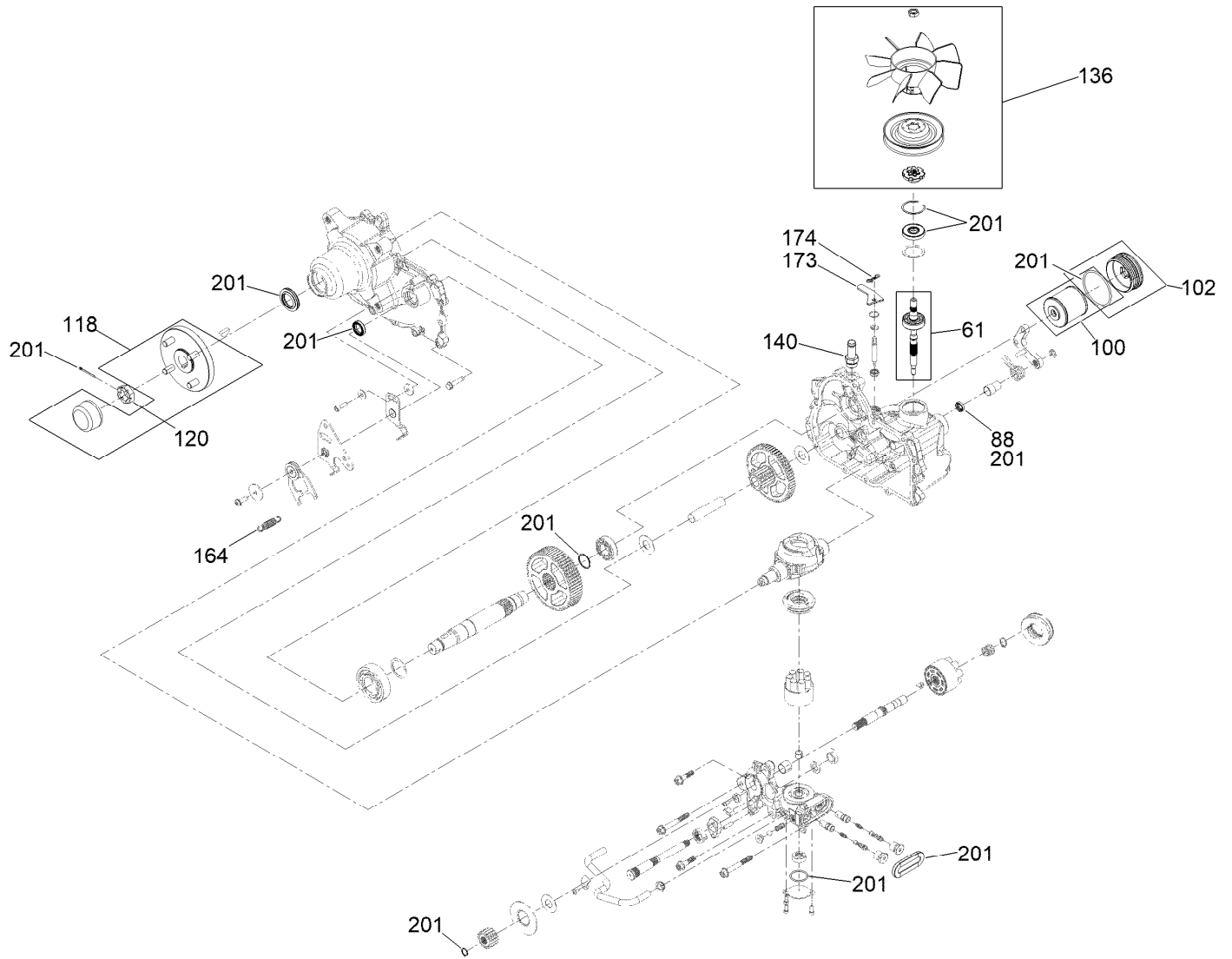
# LH Transaxle Assembly No. 145-3696



## LH Transaxle Assembly No. 145-3696 (continued)

<i>Ref.</i>	<i>Part Number</i>	<i>Qty.</i>	<i>Description</i>	<i>Ref.</i>	<i>Part Number</i>	<i>Qty.</i>	<i>Description</i>
61	147-1671	1	Kit, Input Shaft	136	144-6597	1	Kit, Fan And Pulley
88	145-3637	1	Seal, Brake	140	144-6601	1	Fitting-5/8 Beaded, 7/8 SAE
100	144-6598	1	Kit, Filter	164	125-4684	1	Spring-Extension
102	144-6599	1	Kit, Filler Cap	173	139-8091	1	Plate-Lever, Bypass
118	144-6594	1	Hub-4 Bolt	174	119-1415	1	Pin-Cotter, Locking
120	144-6595	1	Nut, Slotted	201	144-6600	1	Kit, Seal

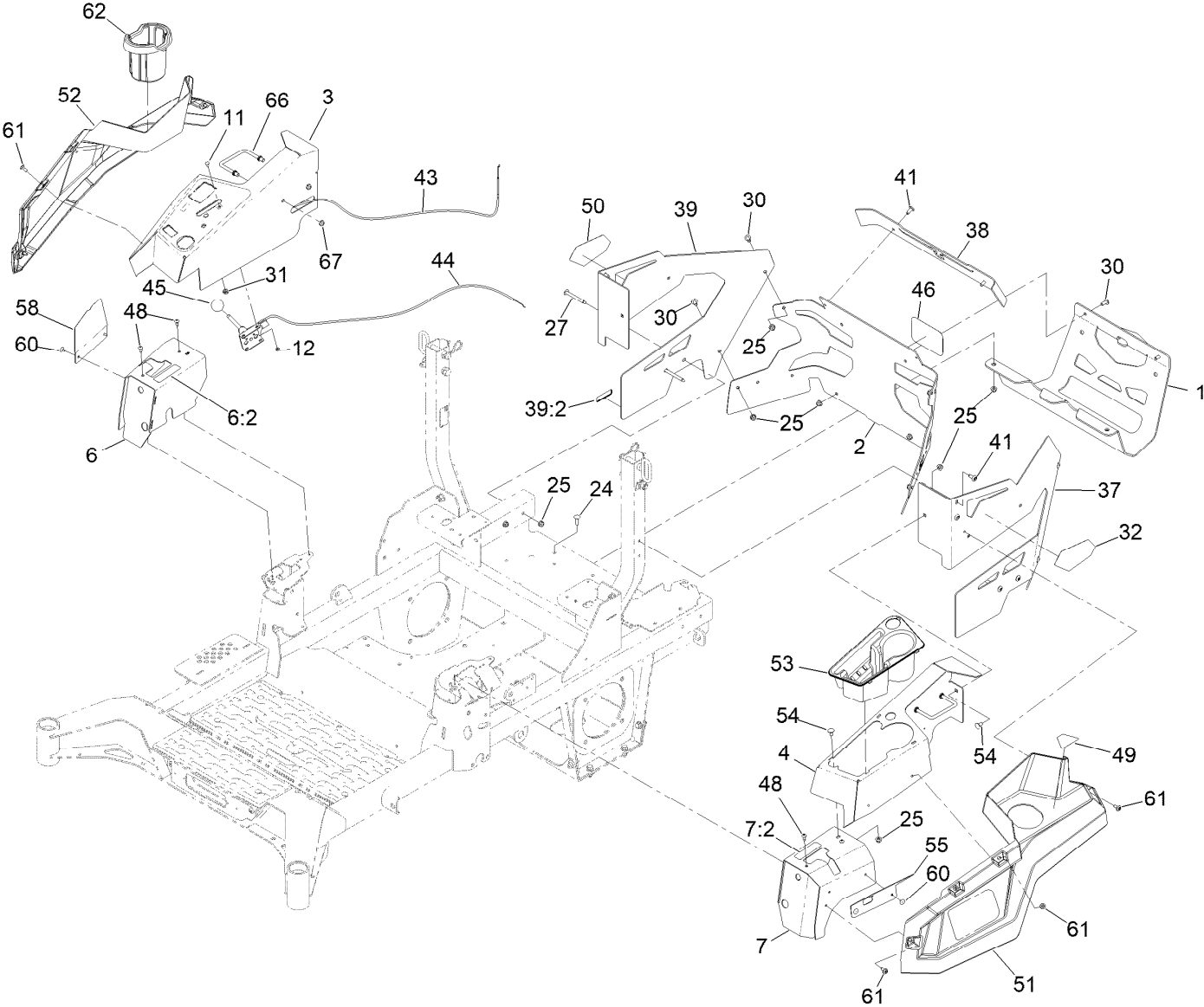
# RH Transaxle Assembly No. 145-3695



## RH Transaxle Assembly No. 145-3695 (continued)

<i>Ref.</i>	<i>Part Number</i>	<i>Qty.</i>	<i>Description</i>	<i>Ref.</i>	<i>Part Number</i>	<i>Qty.</i>	<i>Description</i>
61	147-1671	1	Kit, Input Shaft	136	144-6597	1	Kit, Fan And Pulley
88	145-3637	1	Seal, Brake	140	144-6601	1	Fitting-5/8 Beaded, 7/8 SAE
100	144-6598	1	Kit, Filter	164	125-4684	1	Spring-Extension
102	144-6599	1	Kit, Filler Cap	173	139-8091	1	Plate-Lever, Bypass
118	144-6594	1	Hub-4 Bolt	174	119-1415	1	Pin-Cotter, Locking
120	144-6595	1	Nut, Slotted	201	144-6600	1	Kit, Seal

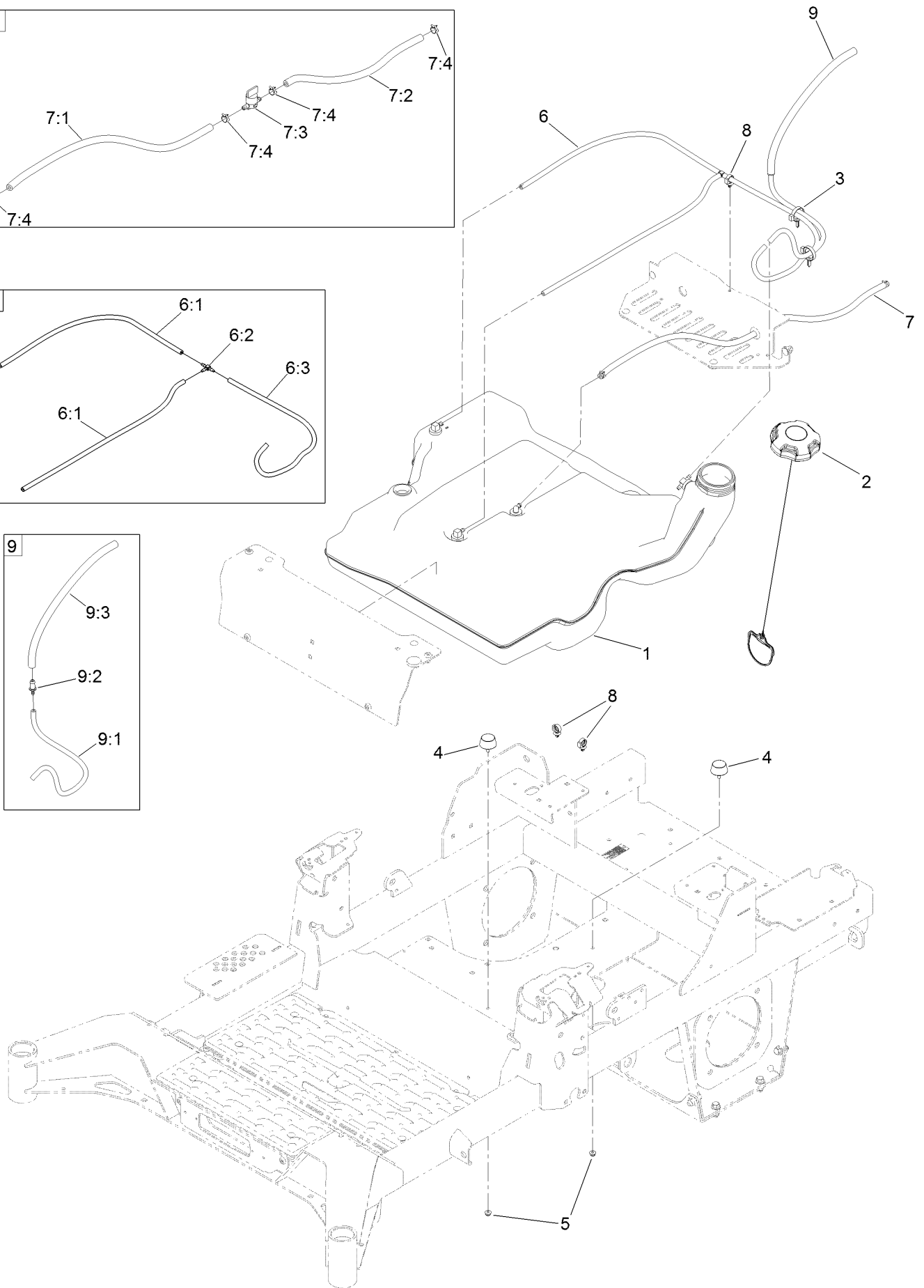
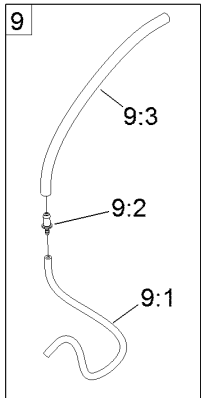
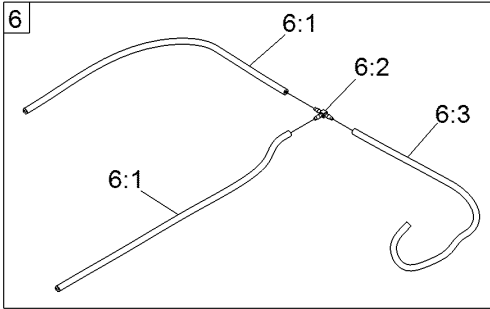
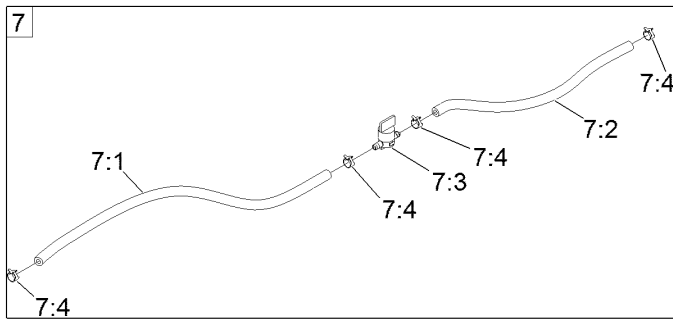
# Throttle, Choke Cables and Guard Assembly



## Throttle, Choke Cables and Guard Assembly (continued)

<i>Ref.</i>	<i>Part Number</i>	<i>Qty.</i>	<i>Description</i>	<i>Ref.</i>	<i>Part Number</i>	<i>Qty.</i>	<i>Description</i>
1	139-6719-03	1	Guard-Muffler [black]	41	138-9753	6	Screw
2	144-2637	1	Rear Guard ASM	43	139-6735	1	Cable-Control, Choke
3	144-6551-01	1	Console-RH	44	139-6734	1	Cable-Control, Throttle
4	144-2638-01	1	Console-LH	45	1-603175	1	Knob-Ball
6	140-4867	1	RH Cover ASM	46	105-8278	1	Decal
6:2	99-8936	1	Decal-Control, Motion	48	87-6620	4	Screw-Tph Thd Form
7	140-4866	1	LH Cover ASM	49	126-9939	1	Decal-Fill, Fuel
7:2	99-8936	1	Decal-Control, Motion	50	140-7987	1	Decal-4000 Series, RH
11	1-807513	2	Bolt-CARR	51	140-7979	1	Side Pod, LH
12	3296-2	2	Nut-Lock, NI	52	140-7980	1	Side Pod, RH
24	3230-22	2	Screw-CARR	53	140-7968	1	Cup Holder
25	104-8300	16	Nut-HF, NI	54	3230-18	4	Screw-CARR
27	126-6267	4	Screw-TTH	55	140-7996-03	1	Plate-Cover, LH Front
30	126-6268	6	Screw-Torx	58	140-7998-03	1	Plate-Cover, RH Front
31	3220-3	1	Nut-HJ	60	132-5064	4	Rivet-Pop
32	139-1149	1	Decal - 4000 Series, LH	61	120-7950	8	Screw-Torx
37	145-6964-01	1	Guard-Rear, LH	62	140-8019	1	Cupholder-RH
38	140-1221-01	1	Guard-Rear, Top	66	144-2642	2	Rod-Support, Pod
39	145-7012	1	RH Rear Guard ASM	67	3296-59	4	Nut-Lock, NI
39:2	133-8062	1	Decal-Arrestor, Spark				

# Fuel System Assembly

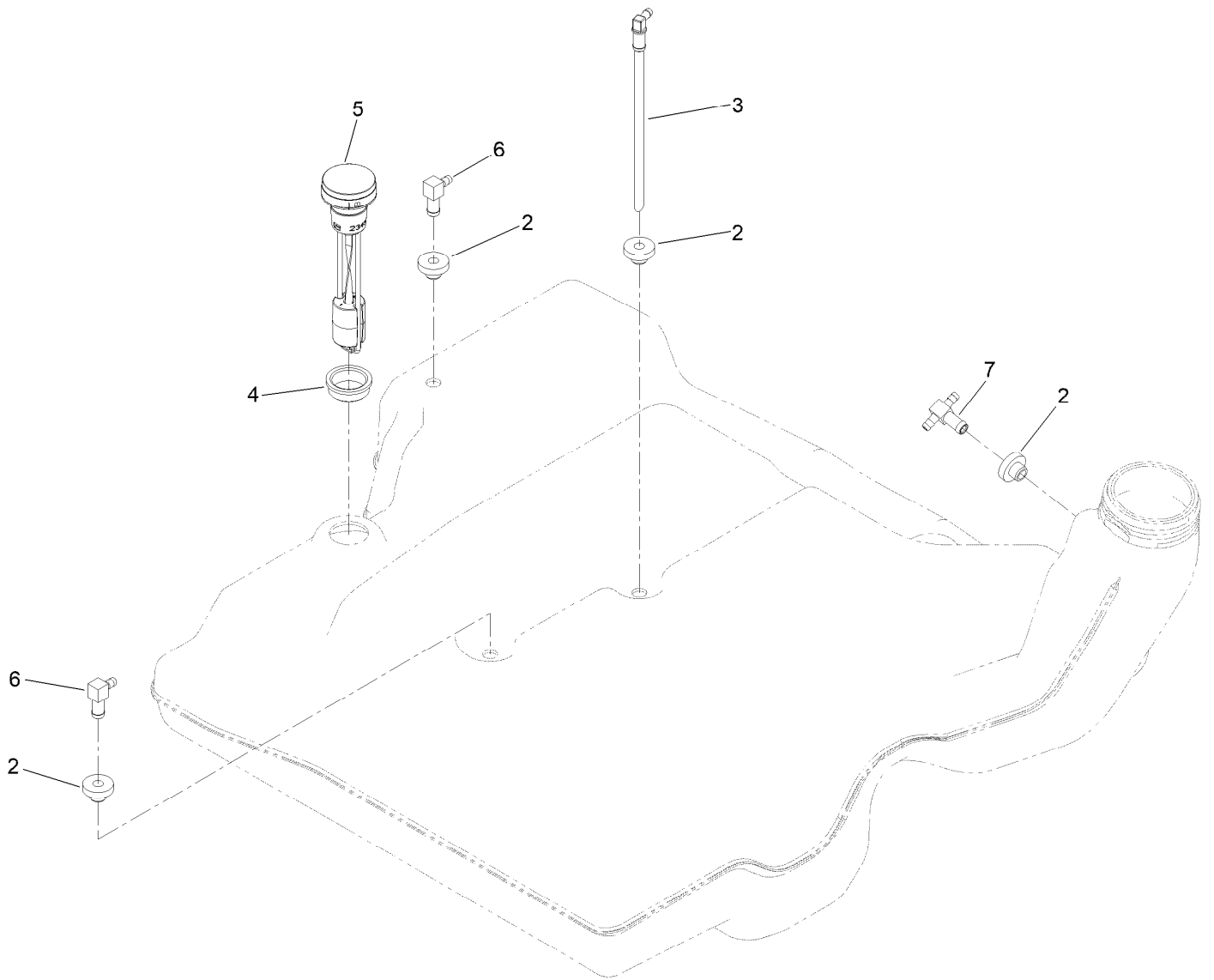




## Fuel System Assembly (continued)

<i>Ref.</i>	<i>Part Number</i>	<i>Qty.</i>	<i>Description</i>	<i>Ref.</i>	<i>Part Number</i>	<i>Qty.</i>	<i>Description</i>
1	139-6722	1	Fuel Tank ASM	7:1	109-0298	1	Line-Fuel
2	135-4801	1	Cap-Fuel, Ratcheting	7:2	114-3766	1	Hose-Fuel
3	104-2490	2	Clamp-Hose	7:3	1-603770	1	Valve-Fuel
4	131-8834	2	Bumper	7:4	2412-98	4	Clamp-Hose
5	104-7201	2	Nut-HF, NI	8	126-5523	3	Clip
6	139-8067	1	Vent Hose ASM	9	140-4957	1	ASM-Fuel Vent
6:1	138-3152	2	Hose-Vent	9:1	138-3152	1	Hose-Vent
6:2	120-2234	1	Fitting-Tee	9:2	116-4630	1	Fitting-Orifice, Straight
6:3	140-4956	1	Hose-Fuel	9:3	116-4344	1	Hose-Fuel
7	139-8068	1	Fuel Hose ASM				

# Fuel Tank Assembly No. 139-6722

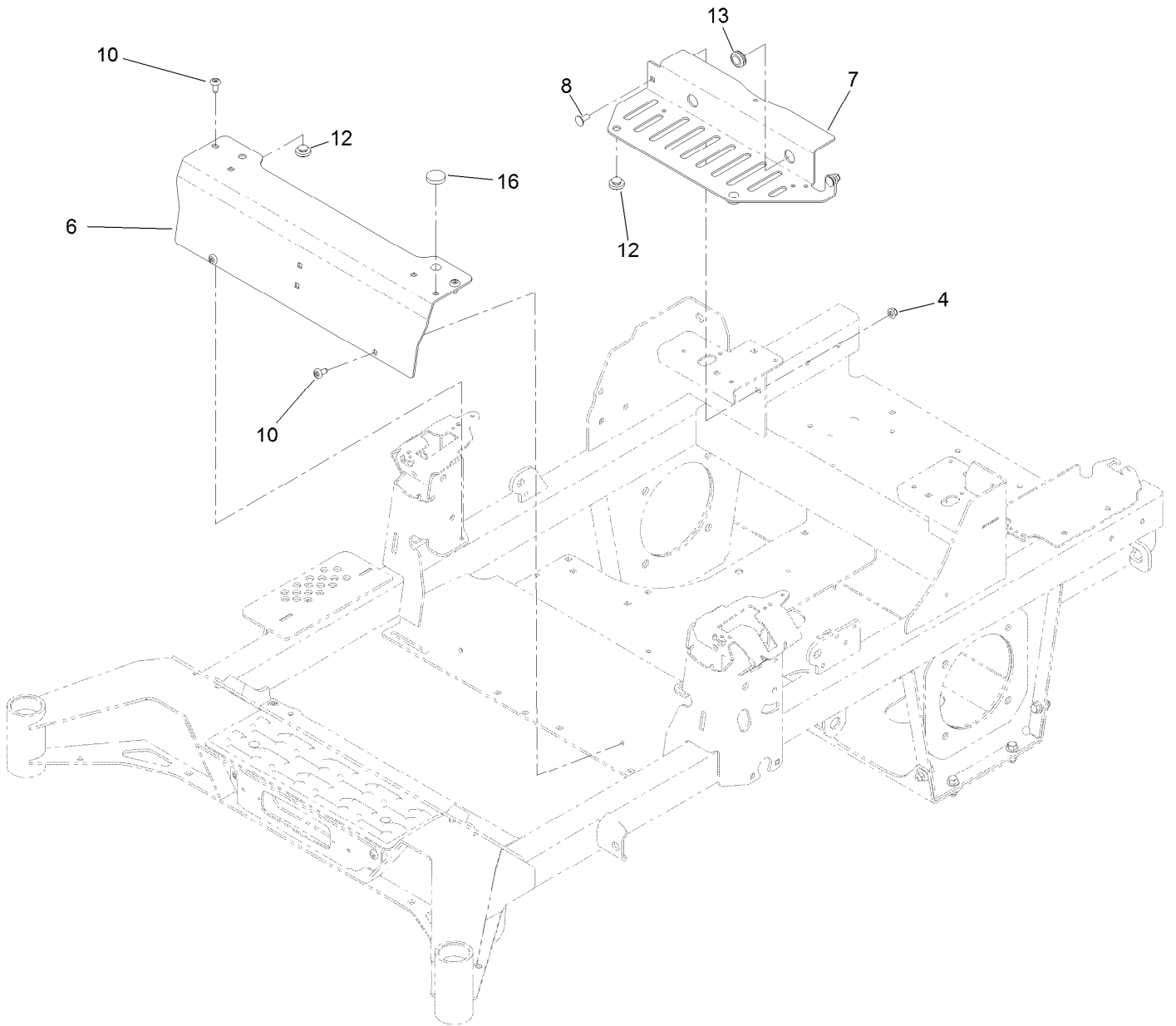


## Fuel Tank Assembly No. 139-6722 (continued)

<i>Ref.</i>	<i>Part Number</i>	<i>Qty.</i>	<i>Description</i>
2	46-6560	4	Bushing
3	140-4955	1	Connector Elbow-90 DEG
4	133-9269	1	Grommet-Fuel

<i>Ref.</i>	<i>Part Number</i>	<i>Qty.</i>	<i>Description</i>
5	139-8058	1	Gauge-Fuel
6	126-9057	2	Fitting-90 DEG
7	140-4954	1	Fitting-Tee

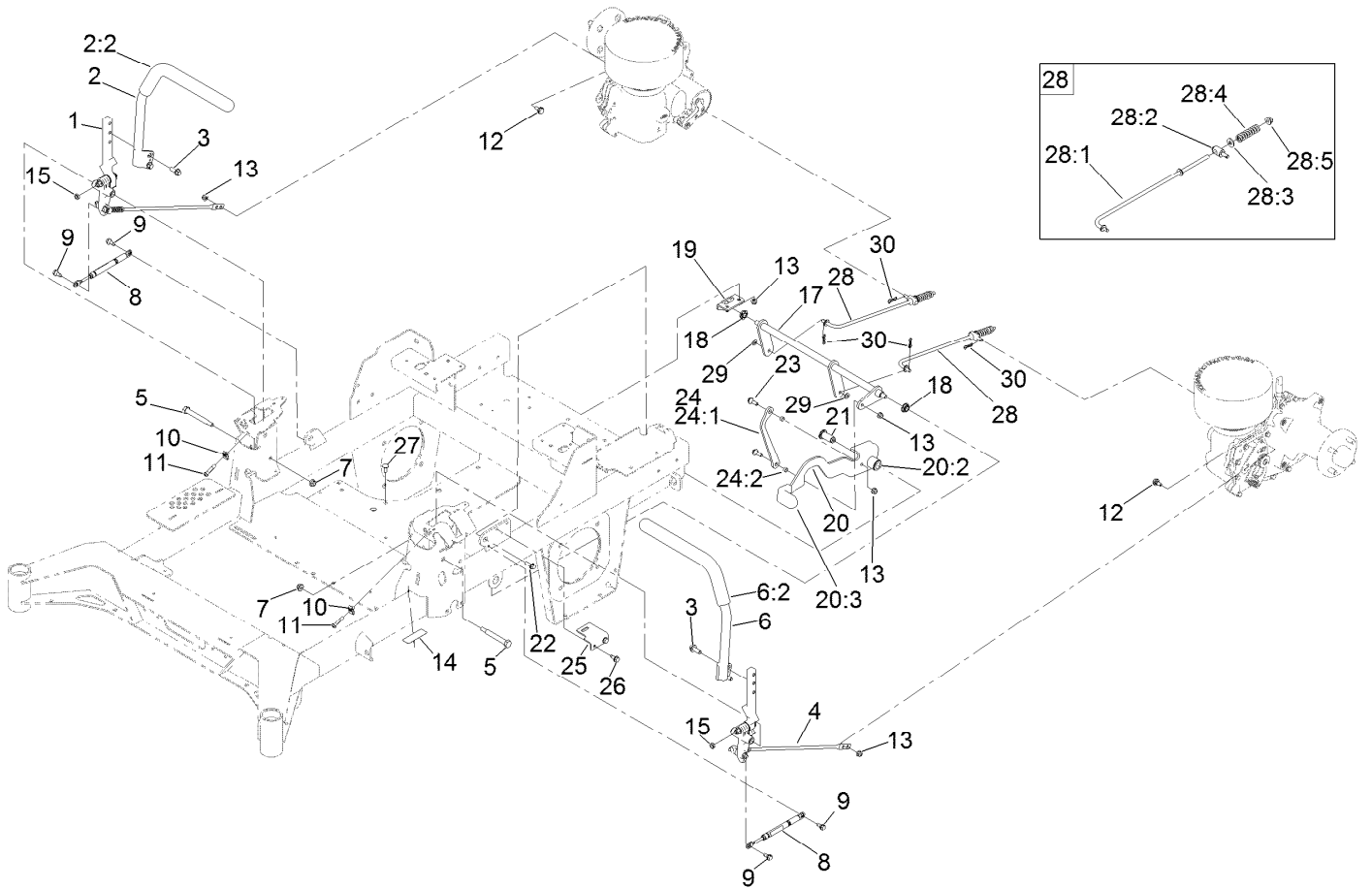
# Tank Retainer Assembly



## Tank Retainer Assembly (continued)

<i>Ref.</i>	<i>Part Number</i>	<i>Qty.</i>	<i>Description</i>	<i>Ref.</i>	<i>Part Number</i>	<i>Qty.</i>	<i>Description</i>
4	104-8300	2	Nut-HF, NI	10	138-9753	4	Screw
6	139-6706-03	1	Plate-Tank Retainer, Front	12	135-0505	4	Bumper-Seat
7	139-6707-03	1	Plate-Tank Retainer, Rear	13	112-7069	1	Grommet
8	3230-23	2	Bolt-CARR	16	109-9233	1	Bumper-Push-In, Rubber

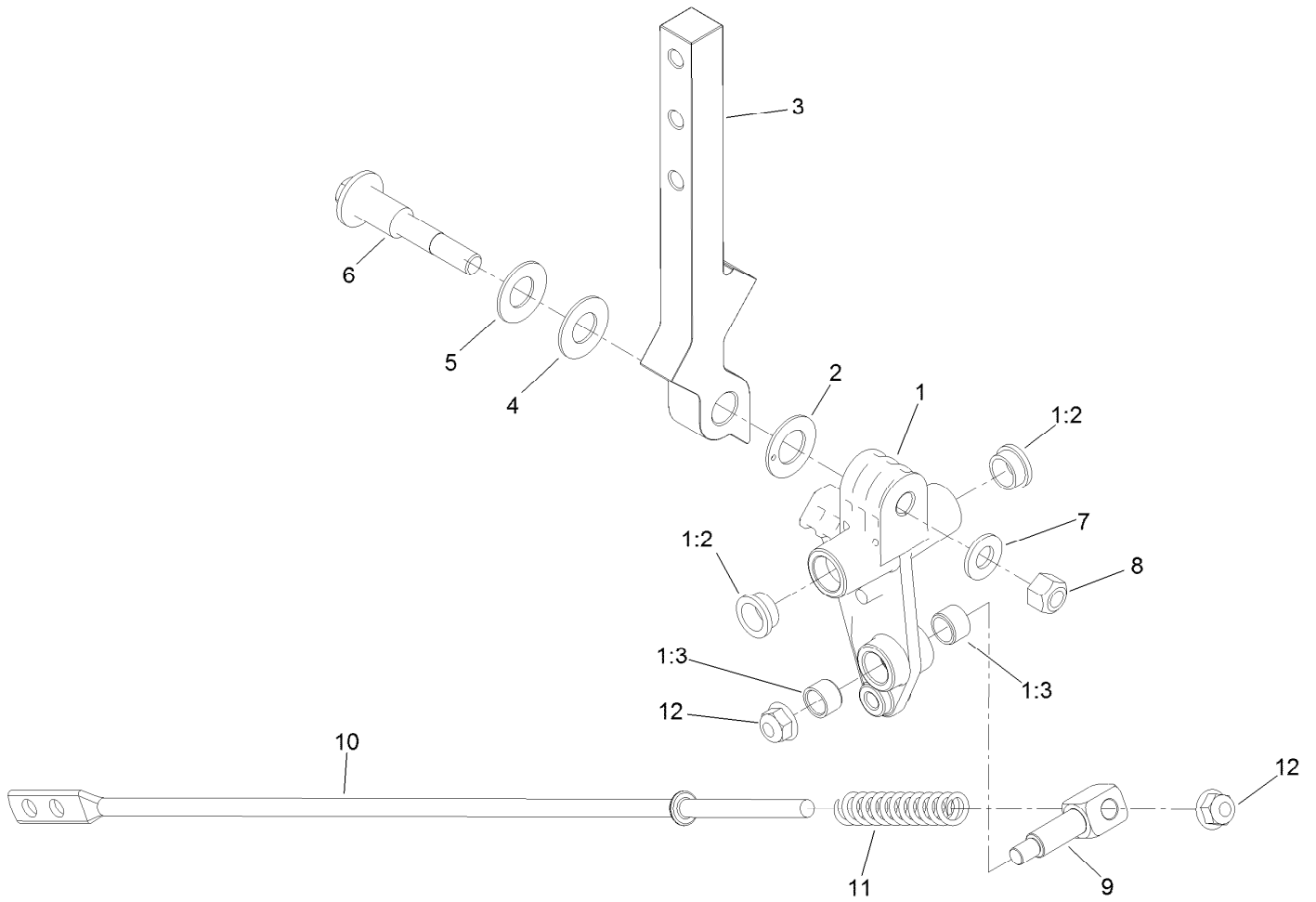
# Motion Control Assembly



## Motion Control Assembly (continued)

<i>Ref.</i>	<i>Part Number</i>	<i>Qty.</i>	<i>Description</i>	<i>Ref.</i>	<i>Part Number</i>	<i>Qty.</i>	<i>Description</i>
1	139-6697	1	Motion Control ASM-RH	20	139-6726	1	Brake Lever ASM W/Grip
2	139-1089	1	Handle ASM - RH	20:2	109-8054	2	Bushing-Flange
2:2	109-5668	1	Grip-Lever, Control	20:3	132-4749	1	Grip-Lever
3	3234-42	4	Screw-HHF	21	139-6743	1	Pivot-Handle
4	139-6696	1	Motion Control ASM-LH	22	3234-29	1	Screw-HHF
5	115-5099	2	Bolt-Pivot	23	116-2670	2	Screw-Shoulder
6	139-1090	1	Handle ASM - LH	24	144-6566	1	Brake Link ASM
6:2	109-5668	1	Grip-Lever, Control	24:1	144-6565	1	Plate-Link, Handle
7	104-8301	2	Nut-HF, NI	24:2	116-4976	2	Bushing-Sleeve
8	126-4322	2	Damper	25	139-6745	1	Plate-Switch
9	126-4424	4	Screw-Shoulder	26	32144-70	2	Screw-HWHTF
10	112-3306	2	Nut	27	3230-23	2	Bolt-CARR
11	126-4299	2	Screw-HSBH	28	144-0353	2	Brake Rod ASM
12	37-8771	2	Bolt-Shoulder, HF	28:1	140-4952	1	Rod-Brake
13	104-8300	6	Nut-HF, NI	28:2	139-6741	1	Fitting-Rod
14	115-9625	1	Decal-Brake, Parking	28:3	3256-3	1	Washer-Flat
15	3218-3	2	Nut-Jam	28:4	144-2645	1	Spring-Compression
17	144-2658	1	Brake ASM	28:5	104-8301	1	Nut-HF, NI
18	126-5820	2	Bearing-Spherical	29	3256-45	2	Washer-Flat
19	139-6742	1	Bracket-Brake	30	119-1415	4	Pin-Cotter, Locking

# Left and Right Control Arm Assembly

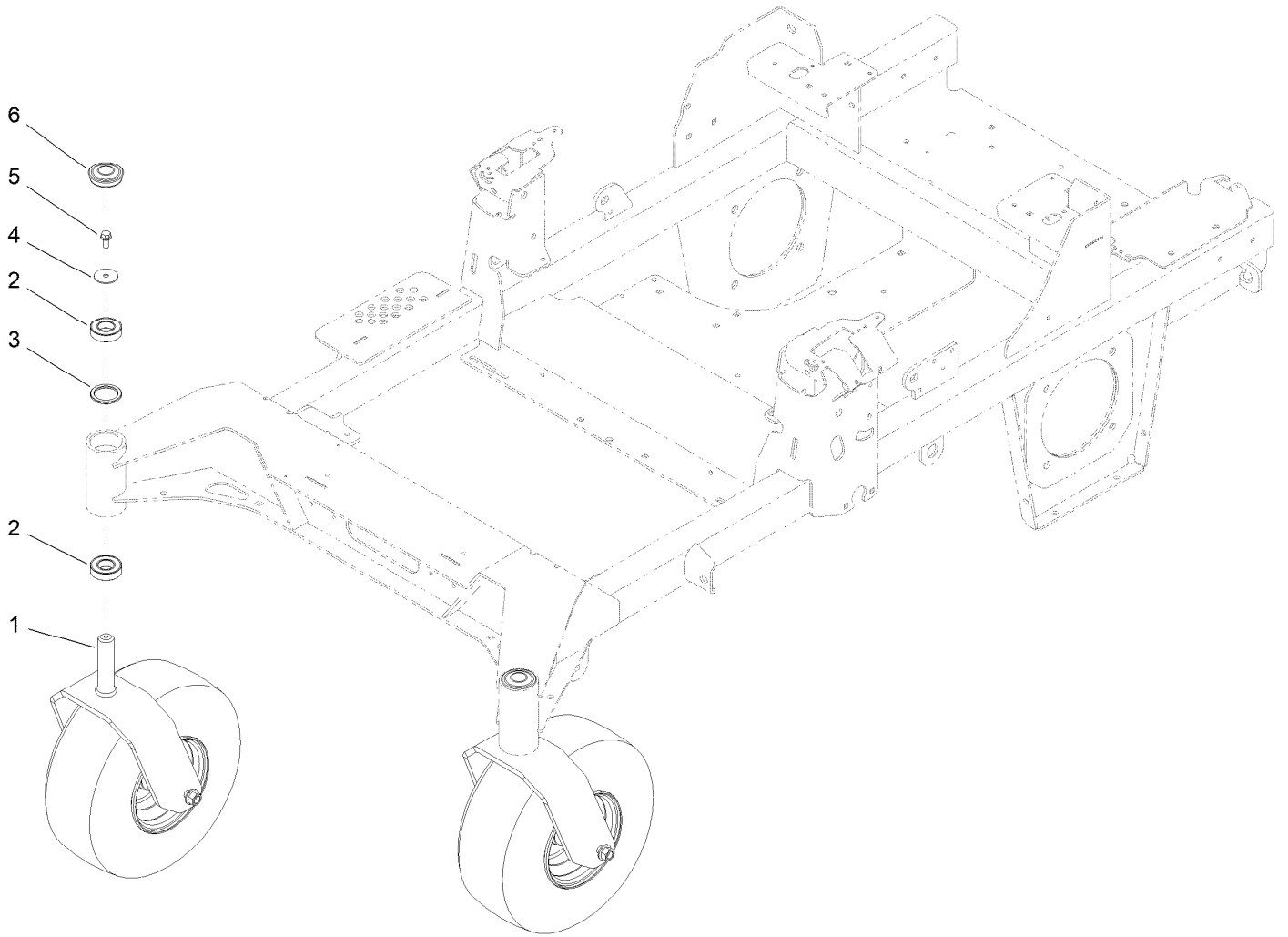




## Left and Right Control Arm Assembly (continued)

<i>Ref.</i>	<i>Part Number</i>	<i>Qty.</i>	<i>Description</i>	<i>Ref.</i>	<i>Part Number</i>	<i>Qty.</i>	<i>Description</i>
1	126-3773	1	Control Arm ASM	6	117-1198	1	Bolt-Pivot
1:2	126-8909	2	Bushing	7	3256-24	1	Washer-Flat
1:3	1-413152	2	Bushing-Sleeve	8	32152-2	1	Nut-Lock, Cone
2	126-7296	1	Washer-Friction	9	126-5434	1	Swivel
3	126-8182	1	Arm-Control	10	140-4949	1	Link-Control
4	117-1240	1	Washer	11	126-8195	1	Spring-Return, Neutral
5	119-8925	1	Washer-Belleville	12	104-8300	2	Nut-HF, NI

# Caster Wheel Assembly

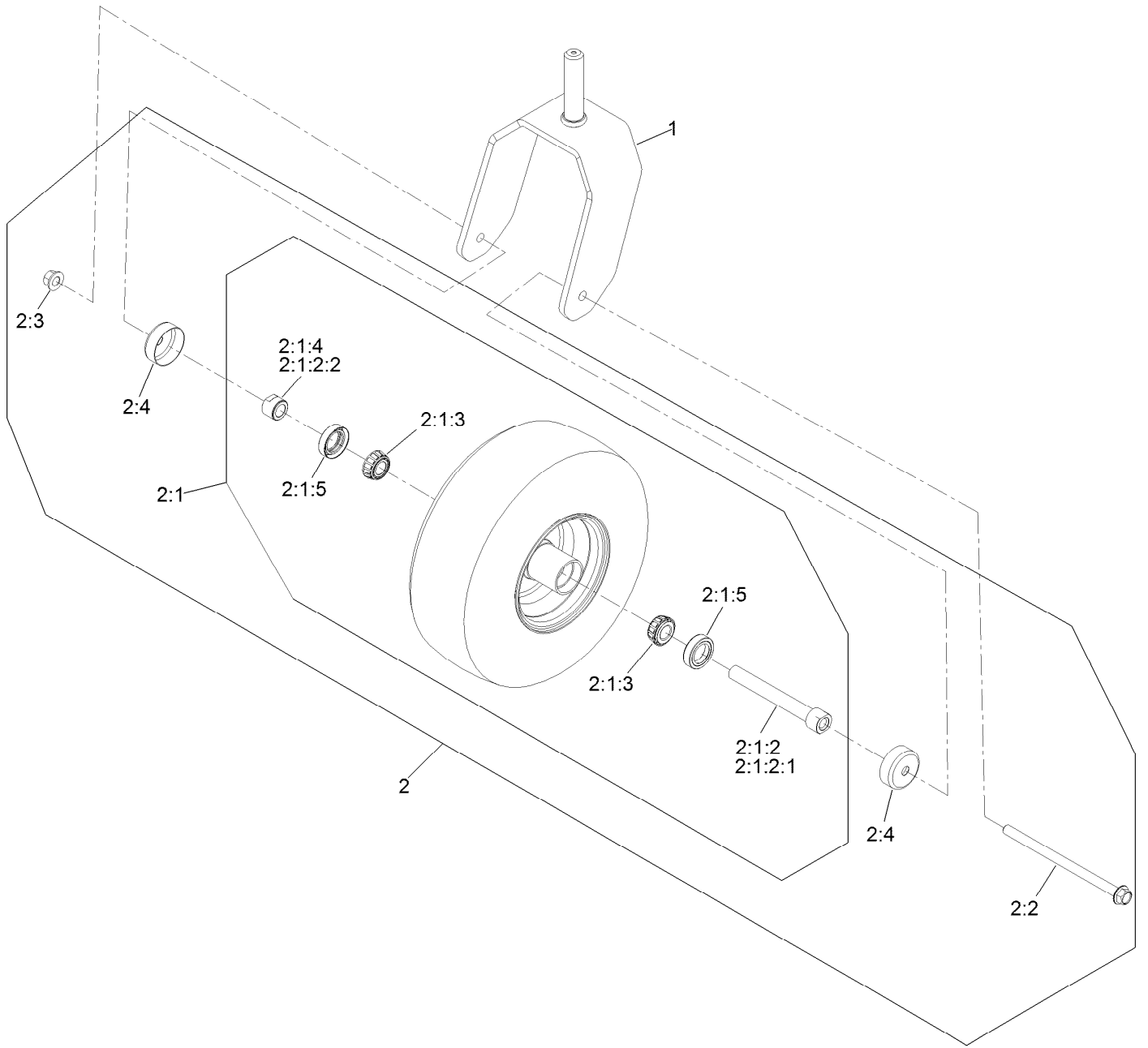


## Caster Wheel Assembly (continued)

<i>Ref.</i>	<i>Part Number</i>	<i>Qty.</i>	<i>Description</i>	<i>Ref.</i>	<i>Part Number</i>	<i>Qty.</i>	<i>Description</i>
1		2	ASM-Front Caster W/Fork ●	4	3256-68	2	Washer-Flat
2	109-3678	4	Bearing-Ball	5	3234-5	2	Screw-HHF
3	145-3660	2	Spacer-Bearing	6	144-0375	2	Cap, Grease

● Not serviced separately

# Caster and Wheel Assembly

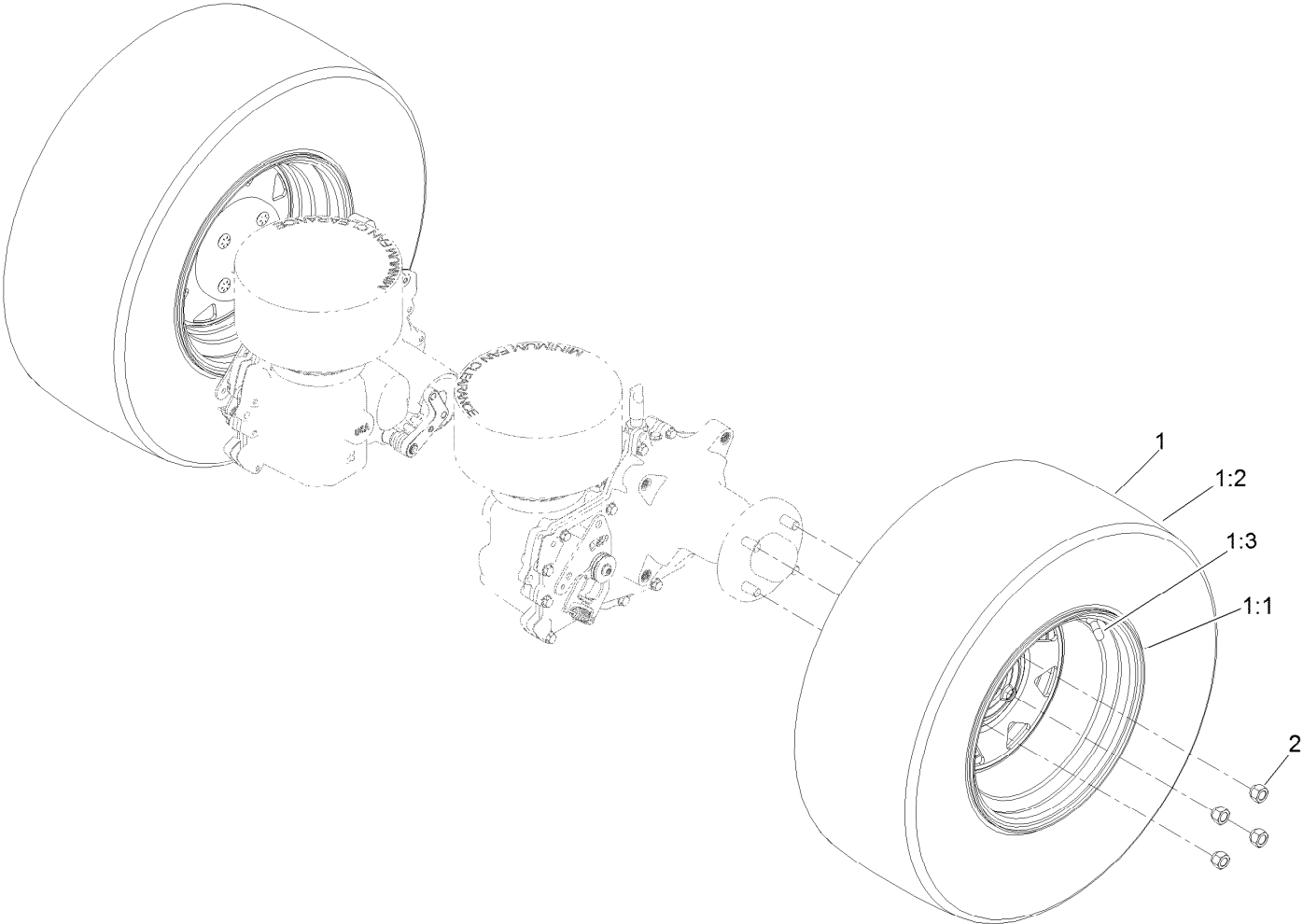


## Caster and Wheel Assembly (continued)

<i>Ref.</i>	<i>Part Number</i>	<i>Qty.</i>	<i>Description</i>	<i>Ref.</i>	<i>Part Number</i>	<i>Qty.</i>	<i>Description</i>
1	126-4312-01	1	Fork-Caster	2:1:3	1-633585	2	Bearing-Cone, Taper
2	140-4896	1	ASM-Semi Pneumatic 13X6.50-6	2:1:4	103-3051	1	Spacer-Nut
2:1		1	ASM Whl/Brgs 13X6.50-6 ●	2:1:5	103-0063	2	Seal-Caster
2:1:2	126-7796	1	Caster Axle ASM	2:2	126-5389	1	Screw-HHF
2:1:2:1	126-5220	1	Axle-Caster	2:3	99-5107	1	Nut-Lock
2:1:2:2	103-3051	1	Spacer-Nut	2:4	103-2768	2	Guard-Seal

● Not serviced separately

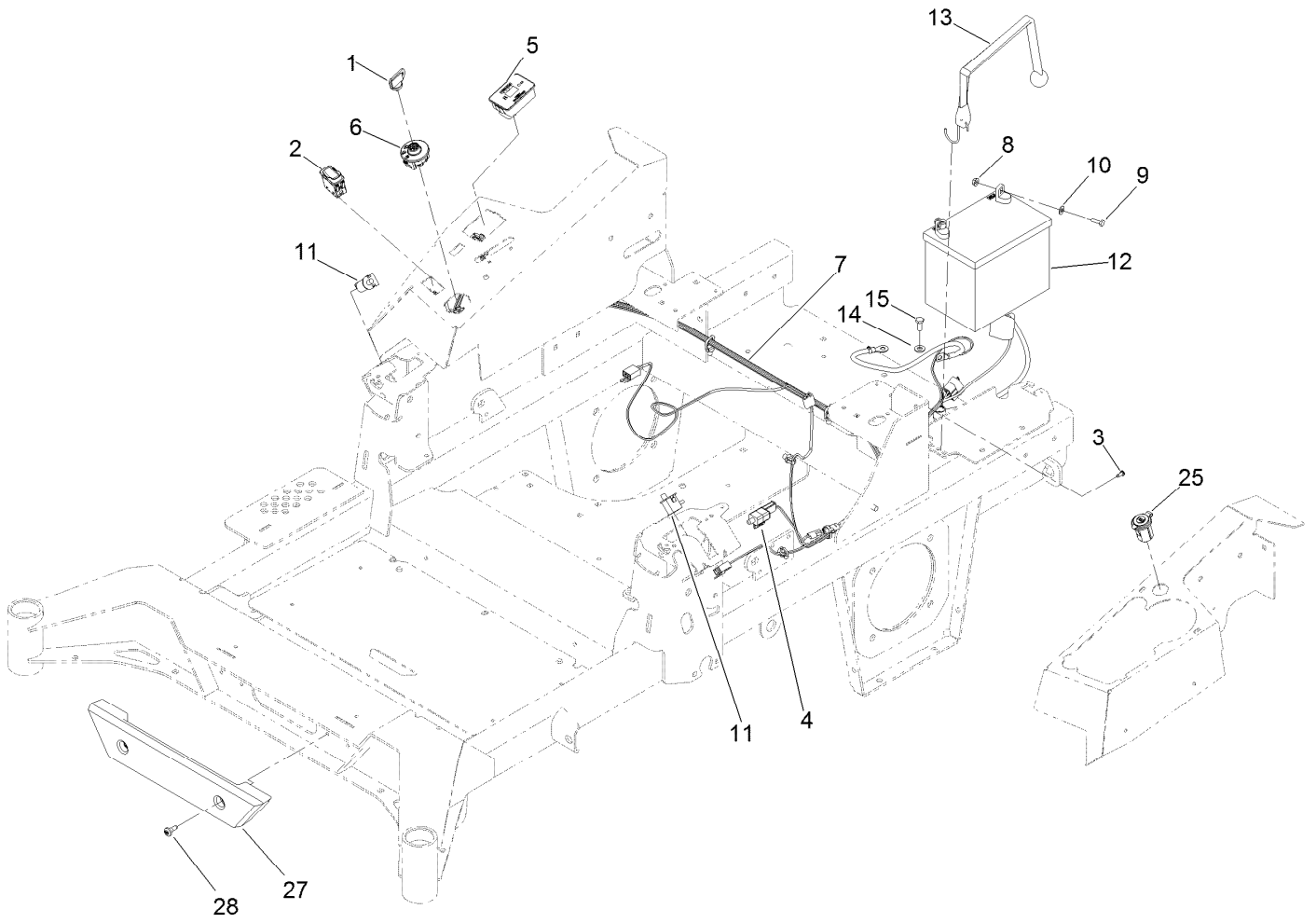
# Rear Wheel Assembly



## Rear Wheel Assembly (continued)

<i>Ref.</i>	<i>Part Number</i>	<i>Qty.</i>	<i>Description</i>	<i>Ref.</i>	<i>Part Number</i>	<i>Qty.</i>	<i>Description</i>
1	140-7958	2	Wheel And Tire ASM	1:3	232-27	1	Stem-Valve
1:1	140-7967	1	Wheel	2	242-50	2	Nut-Lug
1:2	140-7973	1	Tire				

# Electrical Assembly

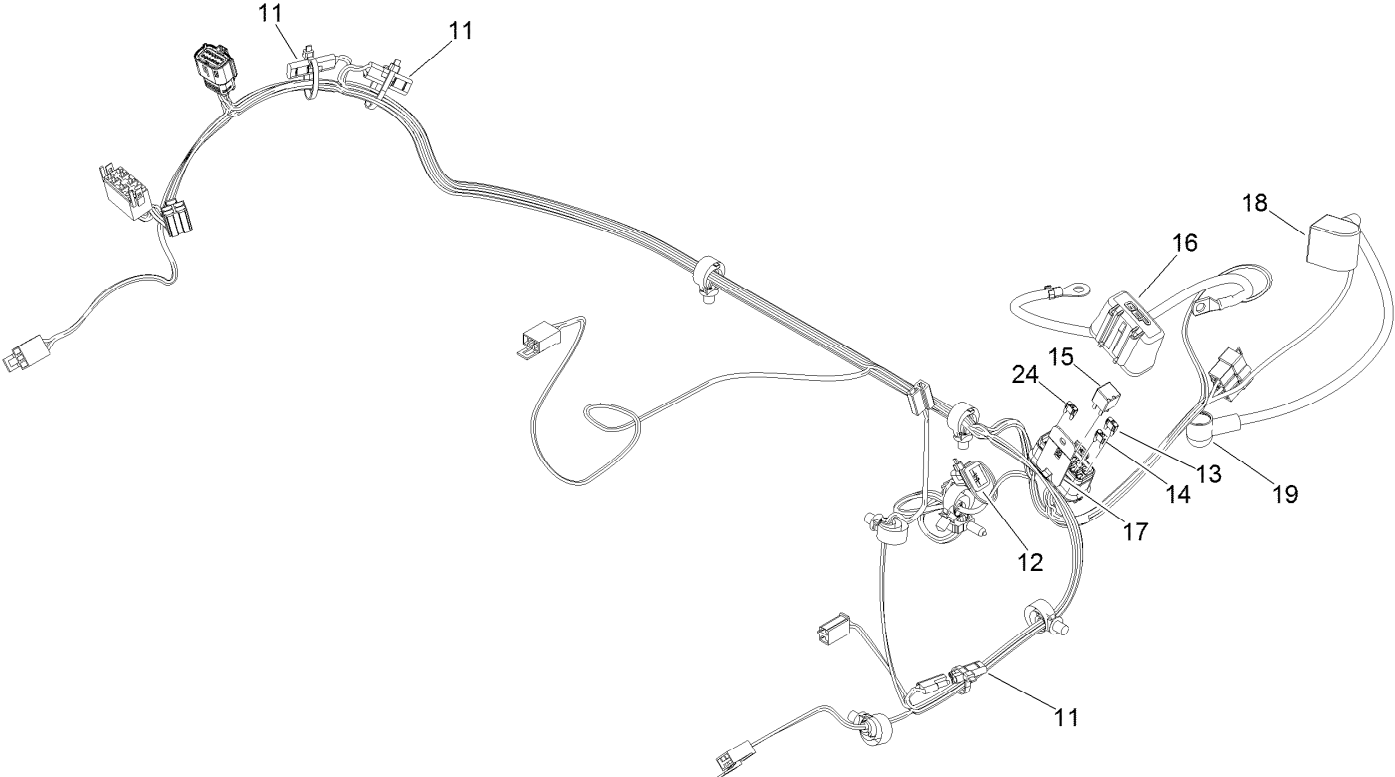




## Electrical Assembly (continued)

<i>Ref.</i>	<i>Part Number</i>	<i>Qty.</i>	<i>Description</i>	<i>Ref.</i>	<i>Part Number</i>	<i>Qty.</i>	<i>Description</i>
1	1-603511	1	Keys-Ignition (Spare Pair)	9	321-4	2	Screw-HH
1	63-8360	1	Key-Ignition	10	3256-22	2	Washer-Flat
2	139-6368	1	Switch-Rocker, On-None-On	11	82-2190	2	Switch-Bail
3	99-8445	1	Screw-HWH	12	104-8162	1	Battery
4	110-6765	1	Switch	13	126-7627	1	Strap-Bungee
5	116-5609	1	Module ASM	14	33094-00	1	Washer-Plain
6	137-4100	1	Switch-Ignition	15	33114-020	1	Screw-HH
7	139-8078	1	Harness-Wire	25	140-7955	1	Port-Power, USB
8	32128-33	2	Nut-HF	27	140-4996	1	Bumper-Front
				28	135-2015	2	Screw-Shoulder

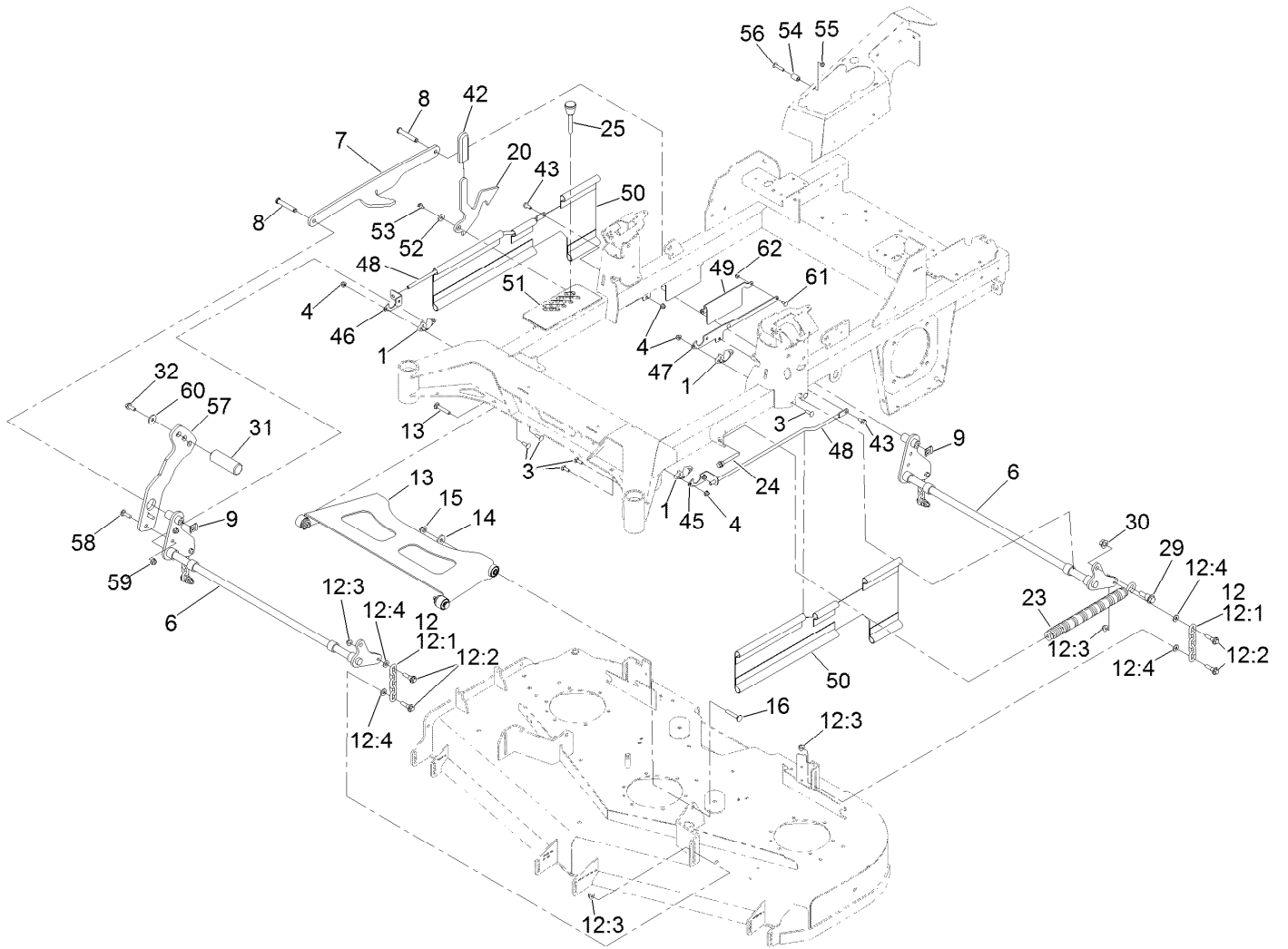
# Wire Harness Assembly No. 139-8078



## Wire Harness Assembly No. 139-8078 (continued)

<i>Ref.</i>	<i>Part Number</i>	<i>Qty.</i>	<i>Description</i>	<i>Ref.</i>	<i>Part Number</i>	<i>Qty.</i>	<i>Description</i>
11	116-0053	3	Cap-Plug	16	32180-176	1	Cover-Block, Fuse
12	103-3895	1	Diode	17	32180-177	1	Clip-Mounting
13	121-8867	1	Fuse-Mini Blade, 15 Amp	18	126-8876	1	Insulator-Battery
14	121-8868	1	Fuse-Mini Blade, 20 Amp	19	1-543393	1	Insulator-Solenoid
15	126-3991	1	Relay-Micro	24	121-8869	1	Fuse-Mini Blade, 25 Amp

# Deck Lift Assembly



## Deck Lift Assembly (continued)

<i>Ref.</i>	<i>Part Number</i>	<i>Qty.</i>	<i>Description</i>	<i>Ref.</i>	<i>Part Number</i>	<i>Qty.</i>	<i>Description</i>
1	115-5065	4	Bushing-Flange	32	3234-42	1	Screw-HHF
3	3230-22	8	Screw-CARR	42	132-4749	1	Grip-Lever
4	104-8300	10	Nut-HF, NI	43	3234-47	2	Screw-HHF
6	140-4975-03	2	Deck Lift Shaft ASM [black]	45	140-4918	1	Bracket-Mount, Upper Front (LH)
7	126-4639-03	1	Link-Lift	46	140-4919	1	Bracket-Mount, Upper Front (RH)
8	126-9181	2	Pin-Clevis	47	145-1275	2	Bracket-Mounting, Upper
9	138-8491	2	Clip-Pin	48	126-7760	2	Rod-Support, Upper
12	126-8877	4	Deck Chain ASM	49	145-1276-03	2	Bracket-Flag
12:1	1-633447	1	Chain-Lift, Deck	50	126-8561	2	Guard-Side
12:2	130-0742	2	Bolt-Shoulder	51	140-4927	1	Decal-HOC, MM
12:3	104-8301	2	Nut-HF, NI	52	104-7658	1	Spacer
12:4	43-0940	2	Spacer	53	9266934	1	Screw
13	140-1179	1	ASM-Deck Strut W/ Bushings	54	114-2754	1	Spacer
14	1-373034	2	Washer	55	3296-47	1	Nut-Lock,NI
15	109-6658	2	Nut-Flange, NI	56	126-7439	1	Screw-Torx
16	3231-7	2	Screw-CARR	57	144-2699-03	1	Arm-Deck Lift [black]
20	140-1249	1	Plate-Transport Lock	58	3231-25	2	Bolt-CARR
23	116-0886	1	Spring-Extension	59	104-8301	2	Nut-HF, NI
24	92-7674	1	Bolt-Shoulder	60	2844	1	Washer
25	126-5401	1	Pin-HOC	61	3229-11	4	Screw-CARR
29	116-0780	1	Screw-Shoulder, HHF	62	104-7201	4	Nut-HF, NI
30	99-5107	1	Nut-Lock				
31	140-4959	1	Pedal-Foot Lift				

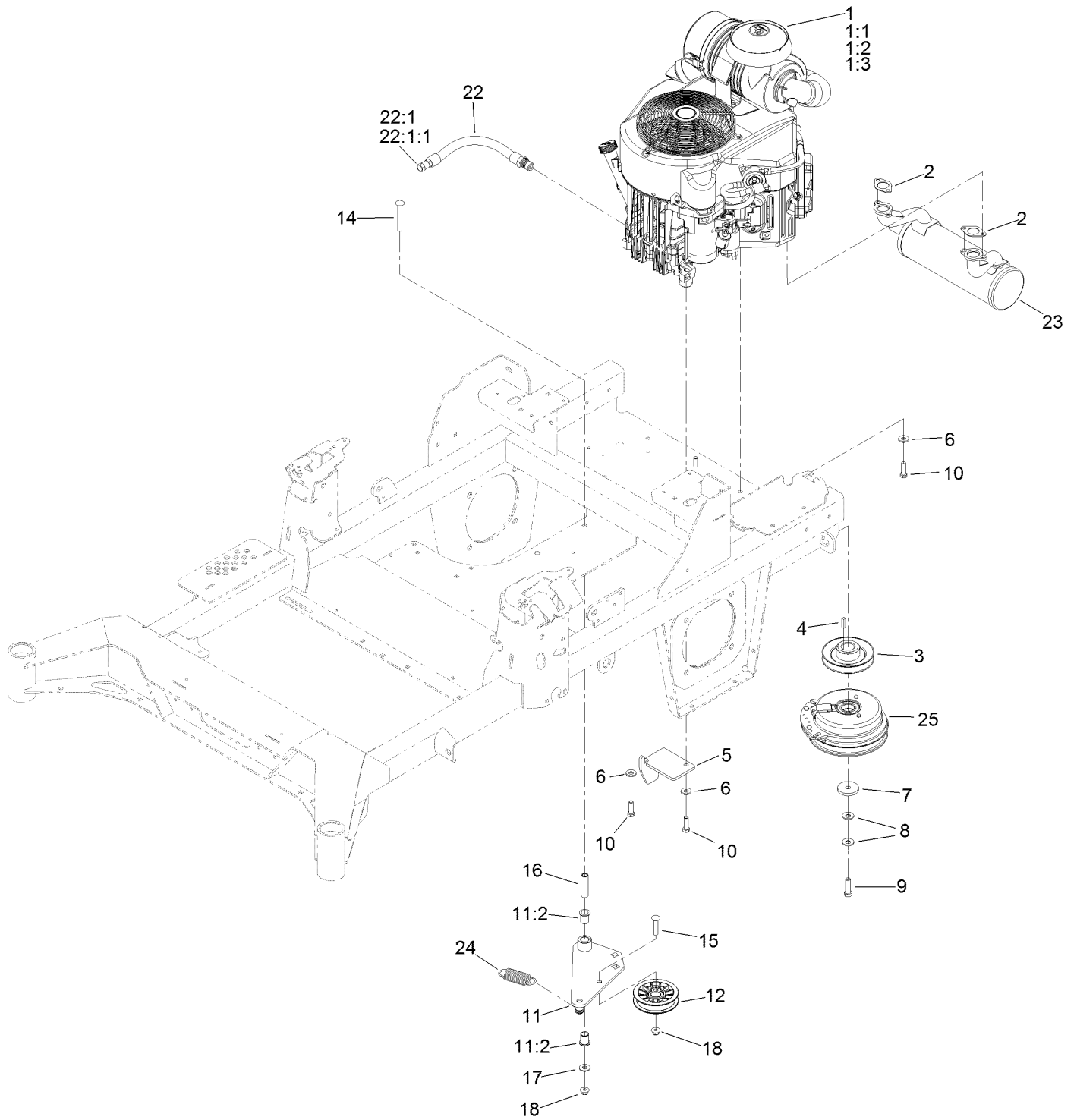
# Deck Strut Assembly No. 140-1179



## Deck Strut Assembly No. 140-1179 (continued)

<i>Ref.</i>	<i>Part Number</i>	<i>Qty.</i>	<i>Description</i>	<i>Ref.</i>	<i>Part Number</i>	<i>Qty.</i>	<i>Description</i>
2	126-8360	4	Bushing-Rubber, Suspension	4	3231-7	2	Screw-CARR
3	108-6544	4	Spacer	5	2844	2	Washer
				6	104-8301	2	Nut-HF, NI

# Engine, Clutch and Muffler Assembly





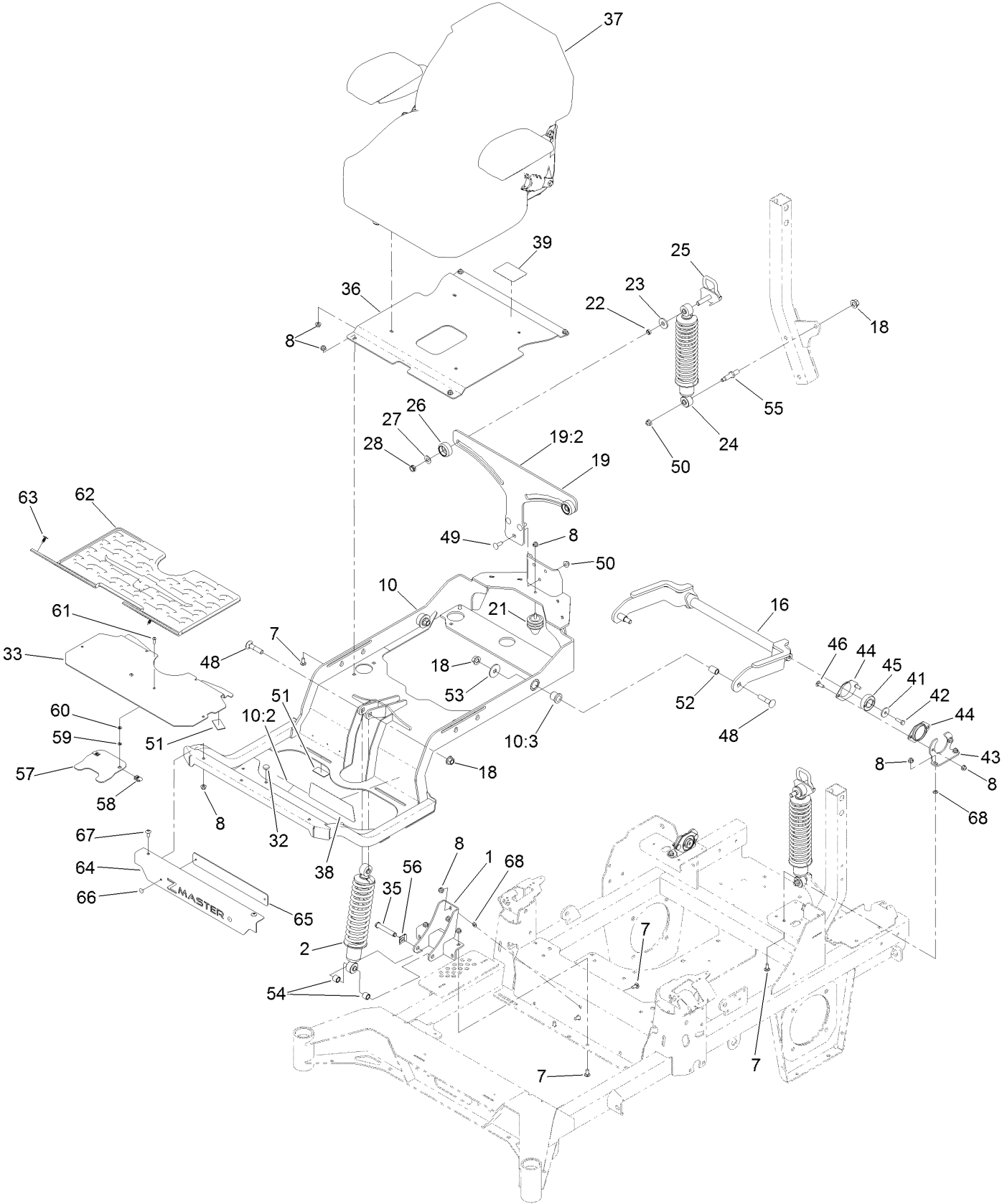
## Engine, Clutch and Muffler Assembly (continued)

<i>Ref.</i>	<i>Part Number</i>	<i>Qty.</i>	<i>Description</i>	<i>Ref.</i>	<i>Part Number</i>	<i>Qty.</i>	<i>Description</i>
1	137-9245	1	Engine - Kawasaki	10	323-7	4	Screw-HH
1:1		1	Kawasaki 49065-7007	11	144-2671	1	Idler Arm ASM
			Engine Oil Filter ■▲	11:2	138-2573	2	Bushing-Flange
1:2		1	Kawasaki 11013-7044	12	116-2456	1	Pulley-Flat Idler
			Engine Air Filter ■▲	14	3231-42	1	Screw-CARR
1:3		1	Kawasaki 11013-7045	15	3231-29	1	Screw-CARR
			Safety Filter ■▲	16	139-6690	1	Bushing, Idler Pivot
2	1-653313	2	Gasket-Exhaust	17	3256-4	1	Washer-Flat
3	139-6702	1	Sheave, W/Hub	18	104-8301	2	Nut-HF, NI
4	1-807259	1	Key	22	116-4924	1	Engine Oil Drain Hose ASM
5	140-1190	1	Anchor-Clutch	22:1	353-508	1	Plug-HH ●
6	98-5975	4	Washer-Belleville	22:1:1	237-42	1	O-Ring
7	109-6919	1	Washer-Clutch	23	126-4360	1	Muffler
8	1-603610	2	Washer-Spring	24	1-653331	1	Spring-Idler
9	109-9761	1	Screw-HH	25	116-1947	1	Clutch

● Torque to 24-26 ft-lb  
▲ Obtain parts from [www.kawpower.com](http://www.kawpower.com)

■ Not serviced separately

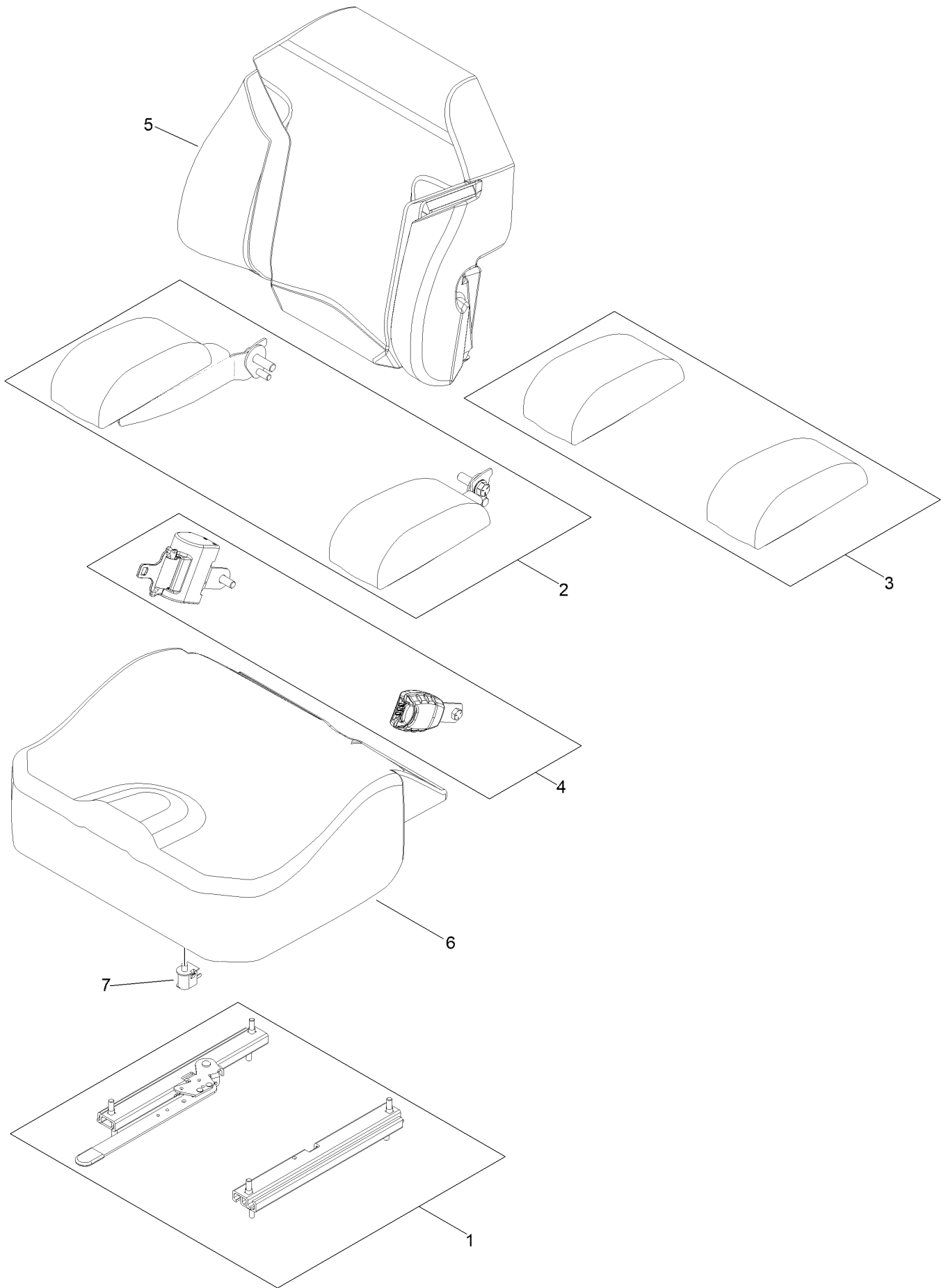
# Seat Suspension Platform Assembly



## Seat Suspension Platform Assembly (continued)

<i>Ref.</i>	<i>Part Number</i>	<i>Qty.</i>	<i>Description</i>	<i>Ref.</i>	<i>Part Number</i>	<i>Qty.</i>	<i>Description</i>
1	139-6691-03	1	Mount-Shock, Lower [black]	42	116-0648	2	Screw-HH, Thread Locking
2	136-1719	1	Shock ASM-Front	43	127-6759-03	2	Bracket-Bearing
7	3230-23	8	Bolt-CARR	44	127-6743	4	Housing-Bearing, Flange
8	104-8300	23	Nut-HF, NI	45	1-653346	2	Bearing
10	140-4868	1	Subframe ASM	46	3230-10	4	Bolt-CARR
10:2	132-0871	1	Decal-Danger	48	127-6768	3	Screw-CARR
10:3	127-6745	2	Bushing-Flange	49	3231-22	3	Screw-CARR
16	127-6754-03	1	Arm-Trailing	50	104-8301	5	Nut-HF, NI
18	99-5107	5	Nut-Lock	51	130-0733	4	Pad-Rubber
19	144-2602	1	Bracket-Mounting	52	127-6751	2	Spacer-Aluminum
19:2	132-5067	1	Decal-Adjustment, Ride	53	86-1990	2	Washer-Thrust
21	126-5491	1	Isolator	54	140-4869	2	Spacer-Tube
22	133-5109	2	Bearing-Sleeve	55	133-4401	2	Bolt-Shoulder
23	131-4699	2	Washer-Plastic	56	138-8491	1	Clip-Pin
24	133-1815	2	Shock/Spring ASM	57	119-0395-03	1	Adapter-Captive
25	136-9017	2	Cam Lock ASM	58	107069	2	Clip
26	136-5636	2	Knob-Lock, Cam	59	32115-15	2	Nut-Push
27	3-6803	2	Washer-Adjusting	60	3256-60	2	Washer-Flat
28	3296-45	2	Nut-Hex	61	3274-69	2	Screw-HSBH
32	1-513658	2	Bumper	62	144-0355	1	Floormat-Myride
33	144-0381-01	1	Floorpan	63	117-2382	2	Plug-Plastic
35	126-9181	1	Pin-Clevis	64	144-0382-03	1	Plate-Badge
36	140-1197-03	1	Pan-Seat	65	144-0422-01	1	Plate-Backer
37	144-2631	1	Seat ASM-Standard	66	132-5064	2	Rivet-Pop
38	144-0437	1	Decal-Myride	67	126-6268	2	Screw-Torx
39	144-2669	1	Decal-Service Aid	68	117-2749	6	Nut-Push
41	105-3048	2	Washer-Flat				

# Seat Assembly No. 144-2631

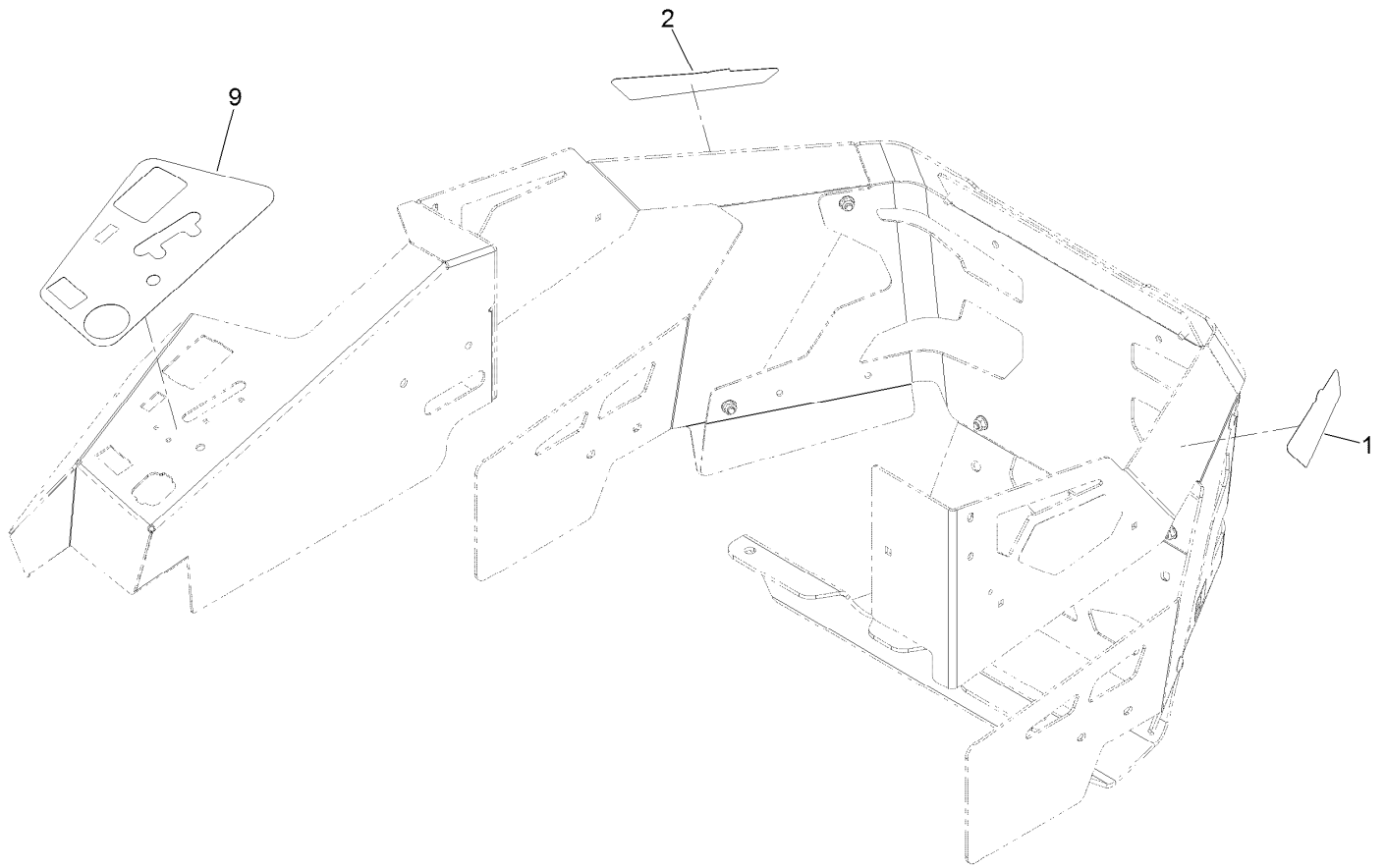


## Seat Assembly No. 144-2631 (continued)

<i>Ref.</i>	<i>Part Number</i>	<i>Qty.</i>	<i>Description</i>
1	109-9801	1	Seat Track Set
2	145-3641	1	Armrest Kit
3	145-3642	1	Pads-Armrest
4	130-2854	1	Seat Belt Kit

<i>Ref.</i>	<i>Part Number</i>	<i>Qty.</i>	<i>Description</i>
5	145-3643	1	Cover-Back, Seat
6	145-3644	1	Cover-Bottom, Seat
7	82-2190	1	Switch-Bail

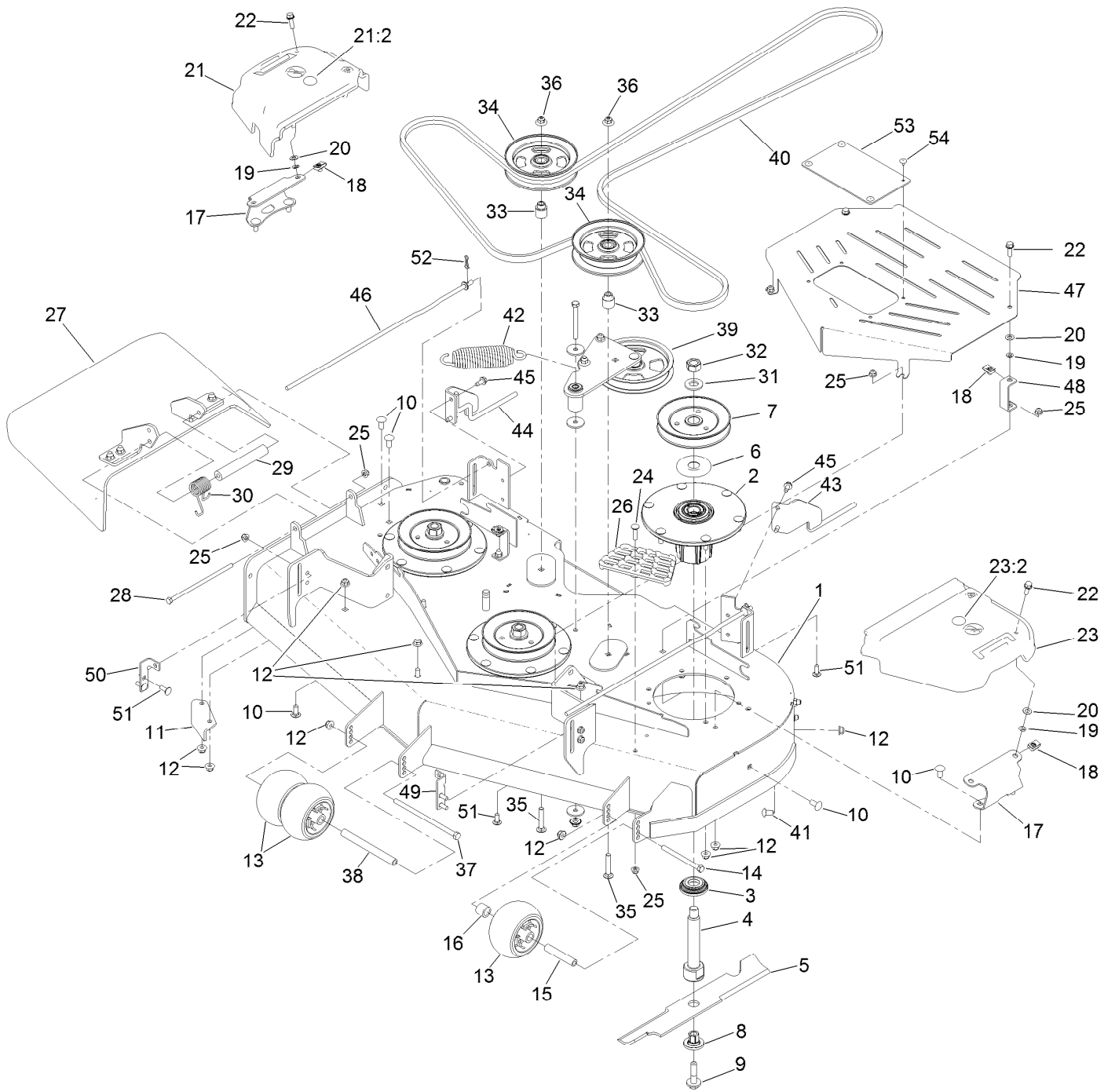
# Decal Assembly



## Decal Assembly (continued)

<i>Ref.</i>	<i>Part Number</i>	<i>Qty.</i>	<i>Description</i>
1	144-0438	1	Decal - Pro
2	144-0439	1	Decal - Pro
9	144-0405	1	Decal-Panel, Control

# Deck Assembly

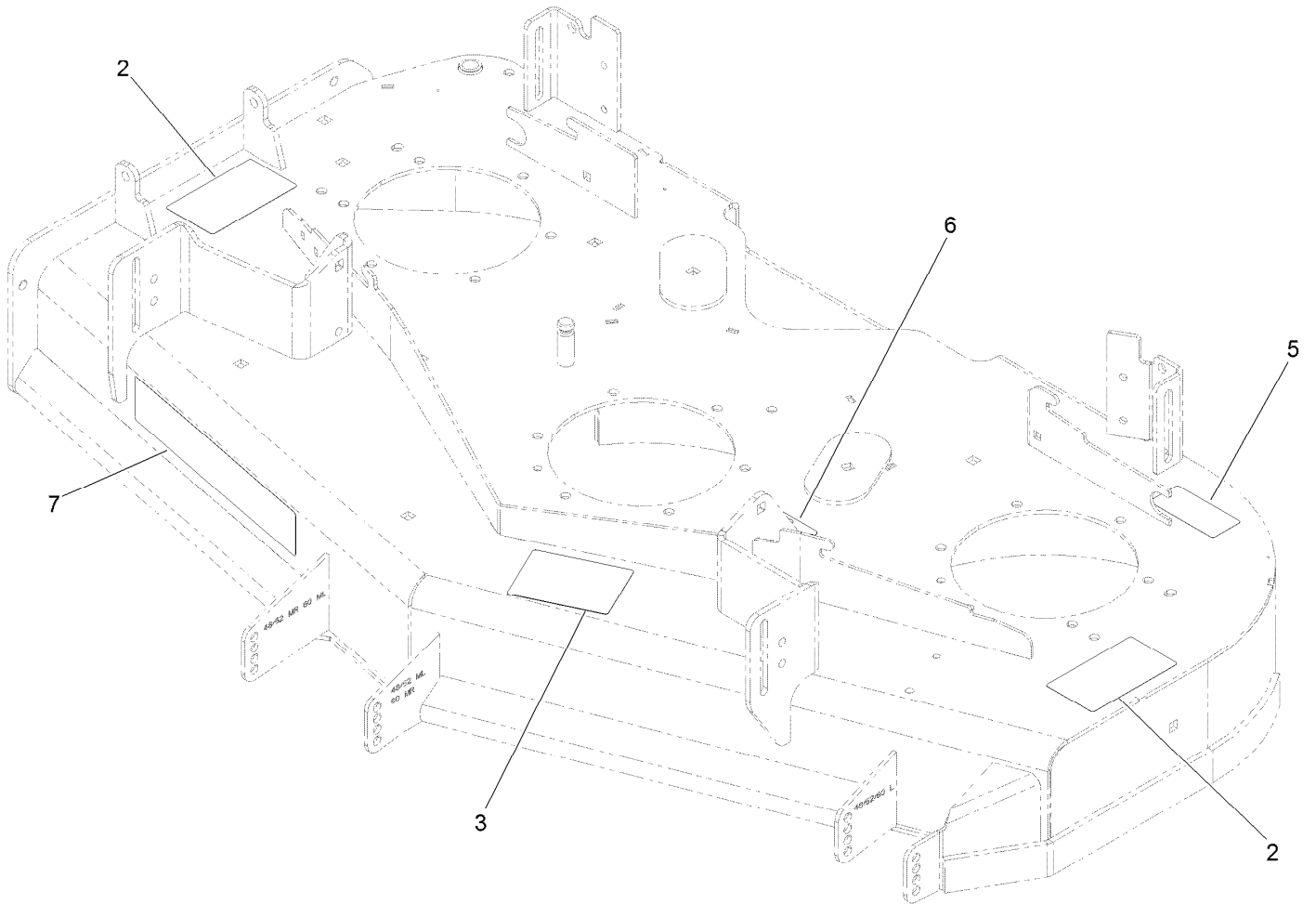




## Deck Assembly (continued)

<i>Ref.</i>	<i>Part Number</i>	<i>Qty.</i>	<i>Description</i>	<i>Ref.</i>	<i>Part Number</i>	<i>Qty.</i>	<i>Description</i>
1	144-6586	1	Deck Decal ASM	27	144-2635	1	Rubber Deflector ASM
2	137-9780	3	Spindle ASM	28	322-50	1	Screw-HH
3	137-9784	3	Guard-Bottom	29	105-4622	1	Spacer
4	138-6045	3	Shaft-Spindle	30	108-4052	1	Spring-Torsion
5	140-1243	3	Blade-16.50 High Flow	31	103-2802	3	Washer
6	103-1330	3	Guard-Bearing, Top	32	116-7306	3	Nut-Hex
7	138-6065	3	Sheave,Blade Drive 5.91	33	139-8061	2	Bushing, Idler
8	137-9787	3	Bushing-Hex	34	132-9425	2	Pulley-Idler, Flat
9	109-9220	3	Screw-Sems	35	3231-7	2	Screw-CARR
10	3231-27	10	Screw-CARR	36	109-6658	2	Nut-Flange, NI
11	107-8541-01	1	Baffle-Discharge	37	108-5388	1	Screw-HH
12	104-8301	33	Nut-HF, NI	38	98-5967	1	Spacer-Wheel
13	1-603299	3	Roller-Scalp, Anti	39	139-1087	1	Idler Arm ASM
14	323-23	1	Screw-HH	40	144-0358	1	Belt-V
15	98-7912	1	Tube-Spanner	41	3231-21	3	Screw-CARR
16	98-7913	1	Tube-Spacer	42	116-6317	1	Spring-Extension
17	126-9121-01	2	Bracket-Cover, Belt	43	140-4913	1	Support-Lower LH
18	94-2413	4	Nut-U	44	140-4914	1	Support-Lower RH
19	117-2749	4	Nut-Push	45	32144-70	4	Screw-HWHTF
20	73-0041	2	Washer-Thrust	46	140-8027	2	Rod-Skirt, Lower
21	117-7813	1	RH Belt Cover ASM	47	145-1266-03	1	Guard-Center Belt 48
21:2	117-3824	1	Plug-Plastic	48	126-9646	2	Bracket-Guard
22	3234-29	4	Screw-HHF	49	140-8032	1	Bracket-Support, LH
23	117-7814	1	LH Belt Cover ASM	50	140-8033	1	Bracket-Support, RH
23:2	117-3824	1	Plug-Plastic	51	3230-10	8	Bolt-CARR
24	3230-3	1	Screw-CARR	52	119-1415	2	Pin-Cotter, Locking
25	104-8300	10	Nut-HF, NI	53	144-0420	1	Shield-Rubber
26	126-4781-03	1	Step-Deck	54	132-5064	4	Rivet-Pop

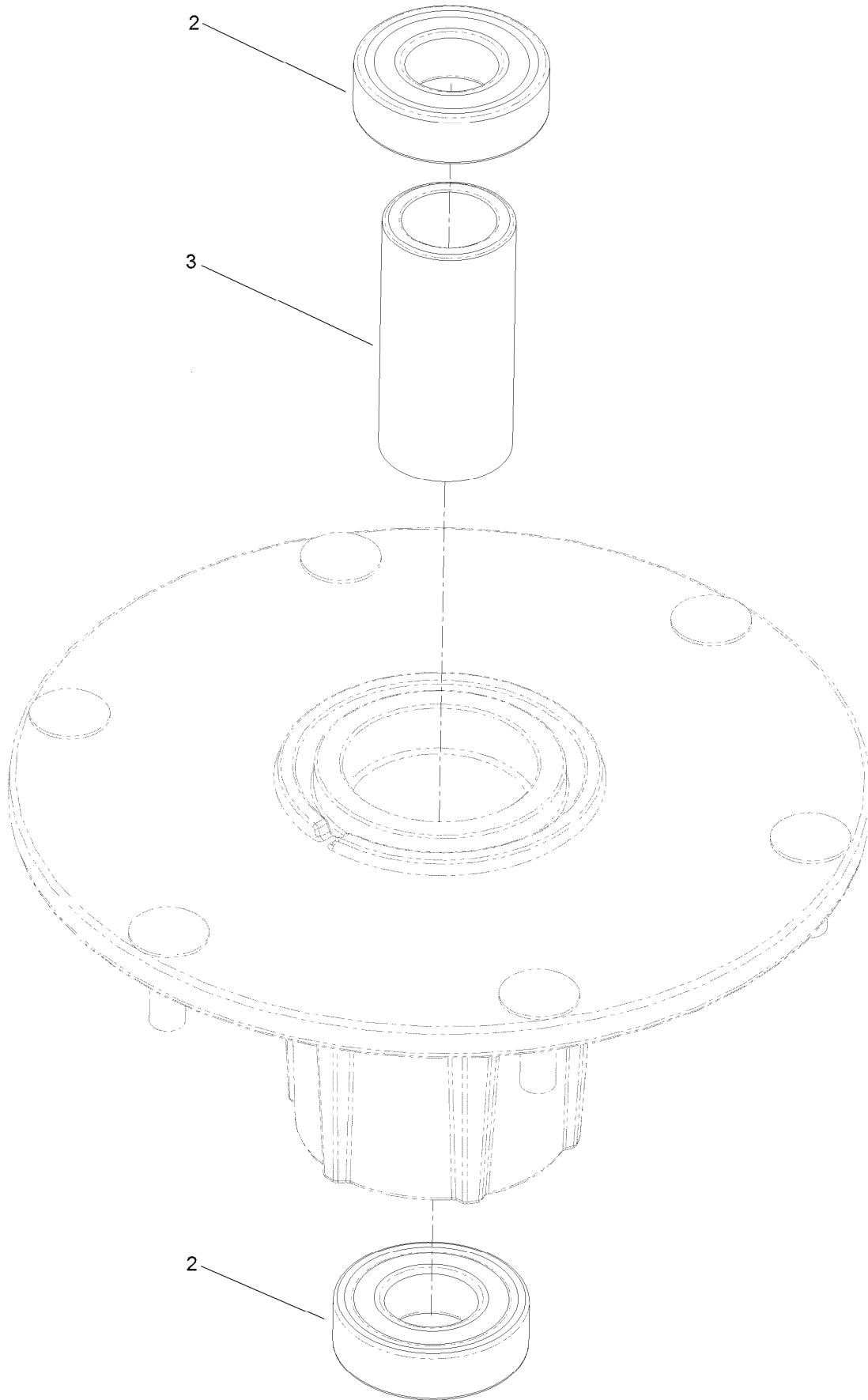
# Deck Decal Assembly No. 144-6586



## Deck Decal Assembly No. 144-6586 (continued)

<i>Ref.</i>	<i>Part Number</i>	<i>Qty.</i>	<i>Description</i>	<i>Ref.</i>	<i>Part Number</i>	<i>Qty.</i>	<i>Description</i>
2	117-3848	2	Decal-Danger	6	109-6035	1	Decal-Routing, Belt
3	127-0326	1	Decal-Scalp, Anti	7	107-1690	1	Decal
5	116-8283	1	Decal-Torque, Bolt				

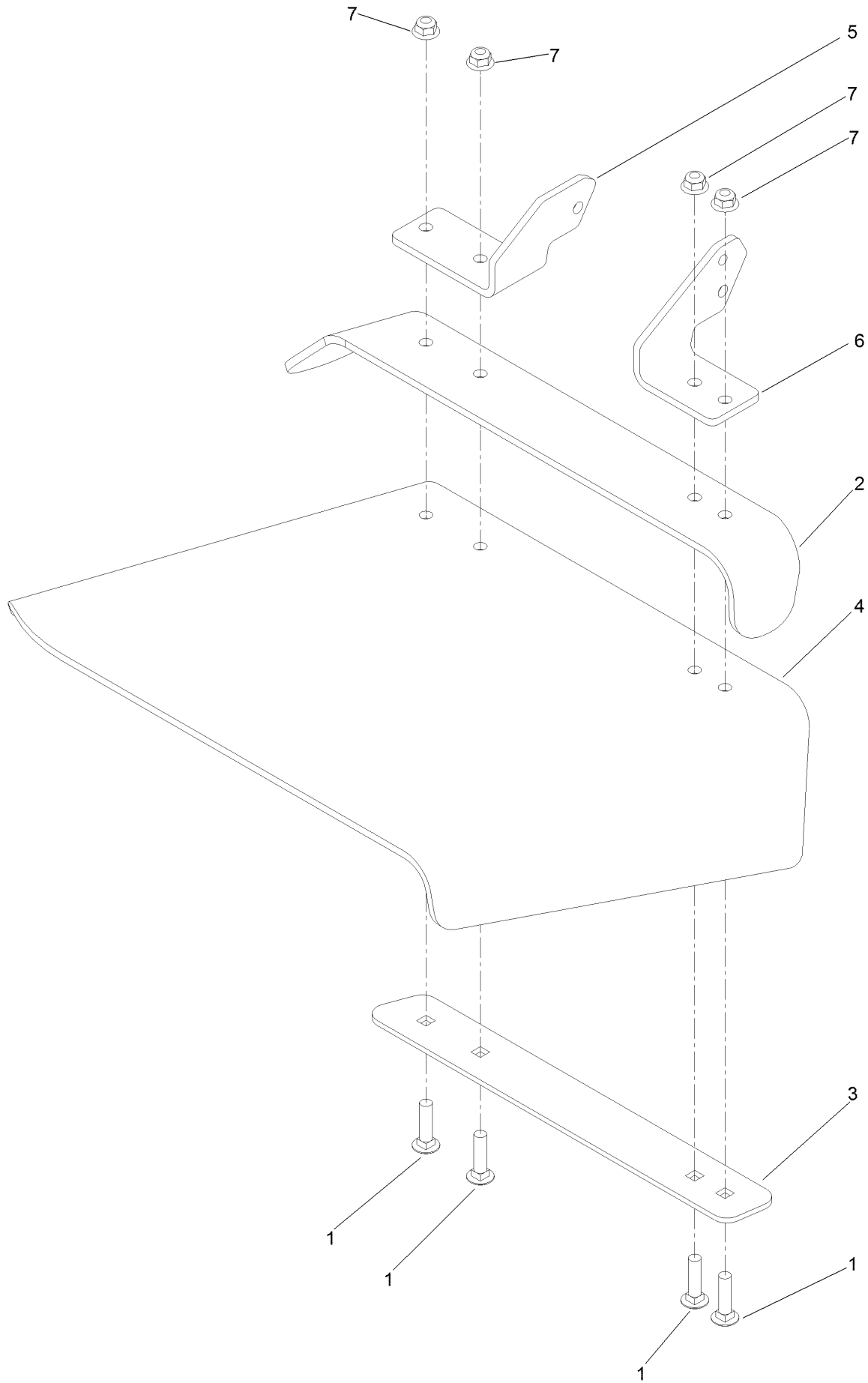
# Spindle Assembly No. 137-9780



## Spindle Assembly No. 137-9780 (continued)

<i>Ref.</i>	<i>Part Number</i>	<i>Qty.</i>	<i>Description</i>
2	116-0720	2	Bearing-Ball
3	138-6042	1	Spacer-Bearing

# Deflector Assembly No. 144-2635



## Deflector Assembly No. 144-2635 (continued)

<i>Ref.</i>	<i>Part Number</i>	<i>Qty.</i>	<i>Description</i>	<i>Ref.</i>	<i>Part Number</i>	<i>Qty.</i>	<i>Description</i>
1	3231-4	4	Screw-CARR	5	108-4059-01	1	Plate-Hinge, Rear
2	106-3246-01	1	Deflector	6	106-3253-01	1	Plate-Hinge, Front
3	106-3248-03	1	Strap-Discharge	7	104-8301	4	Nut-HF, NI
4	139-8114	1	Deflector-Deck, Rubber				





## Idler Arm Assembly No. 139-1087 (continued)

<i>Ref.</i>	<i>Part Number</i>	<i>Qty.</i>	<i>Description</i>	<i>Ref.</i>	<i>Part Number</i>	<i>Qty.</i>	<i>Description</i>
1	139-1086	1	Idler Arm ASM	7	109-6658	3	Nut-Flange, NI
2	138-2573	2	Bushing-Flange	8	323-15	1	Screw-HH
3	139-8060	1	Bushing, Idler	9	3231-5	1	Screw-CARR
4	132-9424	1	Pulley-Idler, Flat	10	132-4729	1	Anchor-Spring, Short
5	139-6690	1	Bushing, Idler Pivot	11	136-9028	1	Bolt-Shoulder, HWH
6	1-213069	3	Washer	12	104-8301	1	Nut-HF, NI

# Attachments and Accessories

## For 74048TE 122cm Z Master 4000 Series Riding Mower

<b>Product Name</b>	<b>Model/Part</b>
Anti-Scalp Kit (Trim Side).....	108-4140
Hypr-Oil 500 (quart).....	114-4713
Hypr-Oil 500 (gallon).....	114-4714
Hypr-Oil 500-5 (5 gallon).....	114-4715
Striper Kit.....	126-7882
Jack Kit.....	127-6666
Spark Arrestor, 1.25 I.D. ....	137-8098
Recycler Kit .....	139-6650
Blade-16.50 High Flow .....	140-1243
Blade-16.50 Medium Flow .....	140-4860
Blade-16.50 Low Flow .....	140-4861
Blade-16.50 Atomic .....	140-4862
Blade-16.50 Recycler .....	140-4863
6 Pack-Blade, 16.5 High Flow.....	140-4887
6 Pack-Blade, 16.5 Med Flow .....	140-4888
6 Pack-Blade, 16.5 Low Flow .....	140-4889
6 Pack-blade, 16.5 Atomic.....	140-4890
6 Pack-Blade, 16.5 Recycler.....	140-4891
Base Light Kit-4000 Series .....	144-0389
Electric Deck Lift Kit-4000.....	144-0390
Trimmer Mount .....	144-2665
Kit, Jack Mount .....	144-2676
48" Chute Gate Kit [4000] .....	144-2688
ASM-VOODOO TRAC 24X9.5-12 [OS -1.41] .....	144-6988
48" CE Compliance Kit [4000].....	145-1261
Handle Extension Kit .....	145-3615
Z 4000 Bagger Kit.....	78463
Z 4000 48in Completion Kit.....	78464

**Notes:**



**Count on it.**