



**Count on it.**

**Parts Catalog**

**52in Z Master® 4000 Series  
Riding Mower**

Model No. 74052—Serial No. 411423793 and Up



# Ordering Replacement Parts

To order replacement parts, please supply the part number, the quantity, and the description of each part desired.

## Understanding Reference Numbers

Each identified part in an illustration has a reference number. The reference number for a part also appears in the parts list, along with other information about the part.

This catalog uses two special reference number formats, one to indicate parts in a service assembly and another to indicate the quantity of a given part in an illustration.

## Service Assembly Reference Numbers

Parts in service assemblies have reference numbers in the form a:b. The a represents the reference number of the entire service assembly and the b represents a sequential number unique to each part within the service assembly.

For example, a wheel assembly might be identified by reference number 6, the tire by 6:1, the valve by 6:2, and the wheel by 6:3. When you order the assembly identified by reference number 6, you receive all parts identified by reference numbers 6:1, 6:2, and 6:3. However, you may also order any part individually. Reference numbers of this type appear in illustration and in parts lists.

## Reference Numbers Indicating Quantity

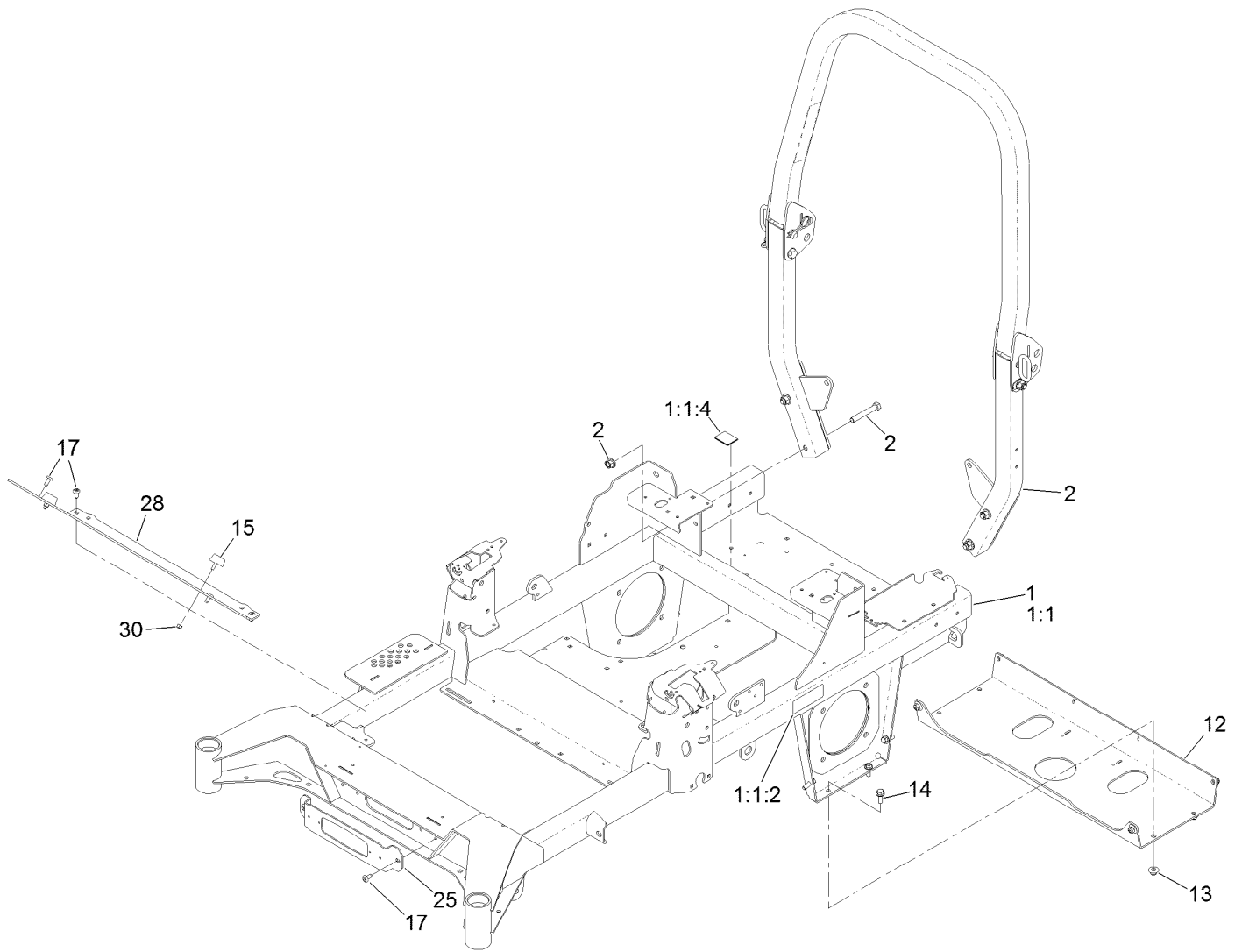
In an illustration, if a reference number indicates more than one part, the reference number has the form nX y. The n represents the quantity of the part, the X is the multiplication symbol, and the y represents the reference number.

For example, in an illustration, the reference number 2X 37 means that two of the parts identified by reference number 37 are indicated.

# Contents

Frame Assembly	4
Roll-Over Protection System Assembly No. 139-8063	6
Hydraulic Drive Assembly	8
LH Transaxle Assembly No. 145-3696	10
RH Transaxle Assembly No. 145-3695	12
Throttle, Choke Cables and Guard Assembly	14
Fuel System Assembly	16
Fuel Tank Assembly No. 139-6722	18
Tank Retainer Assembly	20
Motion Control Assembly	22
Left and Right Control Arm Assembly	24
Caster Wheel Assembly	26
Caster Wheel and Fork Assembly	28
Rear Wheel Assembly	30
Electrical Assembly	32
Wire Harness Assembly No. 139-8078	34
Deck Lift Assembly	36
Deck Strut Assembly No. 140-1179	38
Engine, Clutch and Muffler Assembly	40
Seat Suspension Platform Assembly	42
Seat Assembly No. 144-2631	44
Decal Assembly	46
Deck Assembly	48
Deck Decal Assembly No. 144-6587	50
Spindle Assembly No. 137-9780	52
Deflector Assembly No. 144-2635	54
Idler Arm Assembly No. 139-1087	56
Attachments and Accessories	58

# Frame Assembly

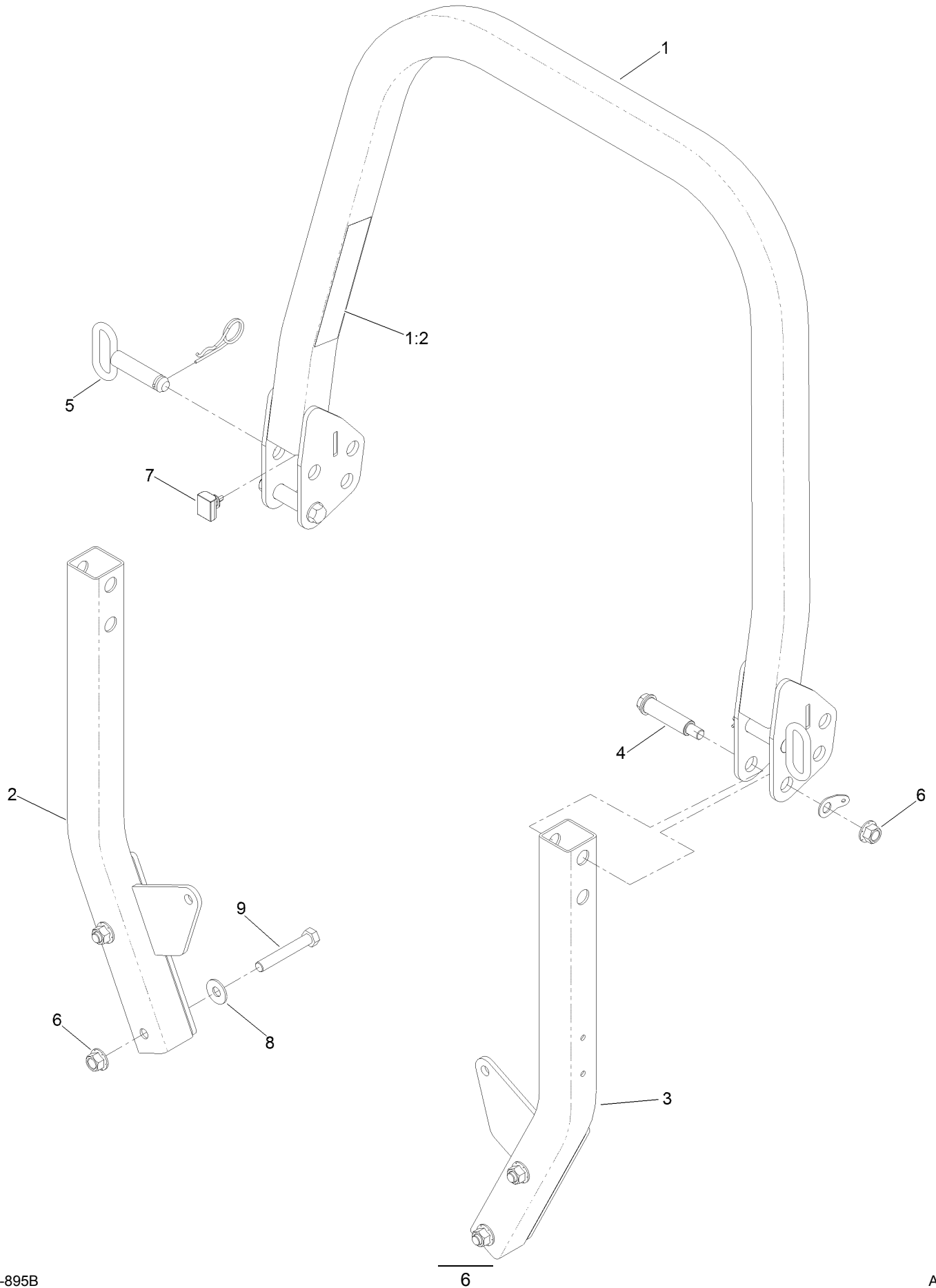


## Frame Assembly (continued)

<i>Ref.</i>	<i>Part Number</i>	<i>Qty.</i>	<i>Description</i>	<i>Ref.</i>	<i>Part Number</i>	<i>Qty.</i>	<i>Description</i>
1	144-6589	1	Frame ASM	14	3234-42	8	Screw-HHF
1:1		1	Frame-48/52 ●	15	131-8834	2	Bumper
1:1:2	126-4363	2	Decal-Warning	17	138-9753	6	Screw
1:1:4	144-2687	1	Decal, Belt Routing	25	140-4994-01	1	Bracket-Light
2	139-8063	1	ASM-ROPS	28	140-4997-01	1	Toeboard [red]
12	139-6717-01	1	Plate-Hydro	30	3296-42	2	Nut-Lock, NI
13	109-6658	8	Nut-Flange, NI				

● Not serviced separately

# Roll-Over Protection System Assembly No. 139-8063

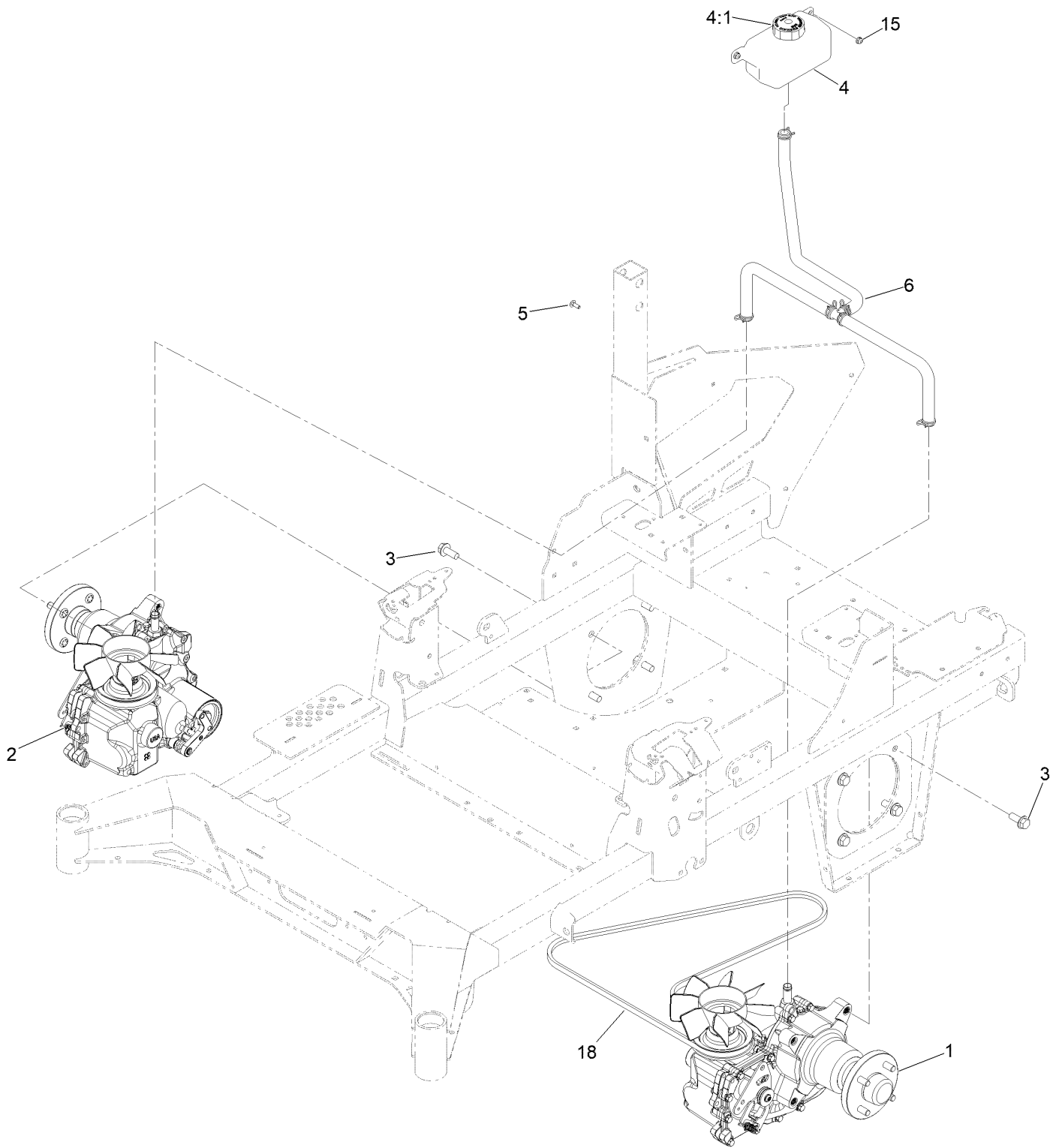


# Roll-Over Protection System Assembly No. 139-8063 (continued)

<i>Ref.</i>	<i>Part Number</i>	<i>Qty.</i>	<i>Description</i>	<i>Ref.</i>	<i>Part Number</i>	<i>Qty.</i>	<i>Description</i>
1		1	Upper ROPS ASM ●	4	126-9209	2	Bolt-Shoulder
1:2	107-3069	1	Decal-Warning	5	103-4553	2	Pin-Fold, ROPS
2		1	ASM-ROPS, RH Suspension [black] ●	6	99-5107	6	Nut-Lock
3		1	ASM-ROPS, LH Suspension [black] ●	7	109-5337	2	Bumper-ROPS
				8	109-9505	4	Washer-Spring
				9	325-13	4	Screw-HH

● Not serviced separately

# Hydraulic Drive Assembly





## Hydraulic Drive Assembly (continued)

<i>Ref.</i>	<i>Part Number</i>	<i>Qty.</i>	<i>Description</i>
1	145-3696	1	LH Transaxle ASM W/Arm
2	145-3695	1	RH Transaxle ASM W/Arm
3	3234-38	8	Screw-HHF
4	119-9908	1	Hydraulic Reservoir ASM
4:1	109-3320	1	Cap-Reservoir, HYD

<i>Ref.</i>	<i>Part Number</i>	<i>Qty.</i>	<i>Description</i>
5	3229-28	2	Screw-CARR
6	140-1225	1	ASM-Hose, Hydraulic
15	104-7201	2	Nut-HF, NI
18	140-7994	1	Belt-V

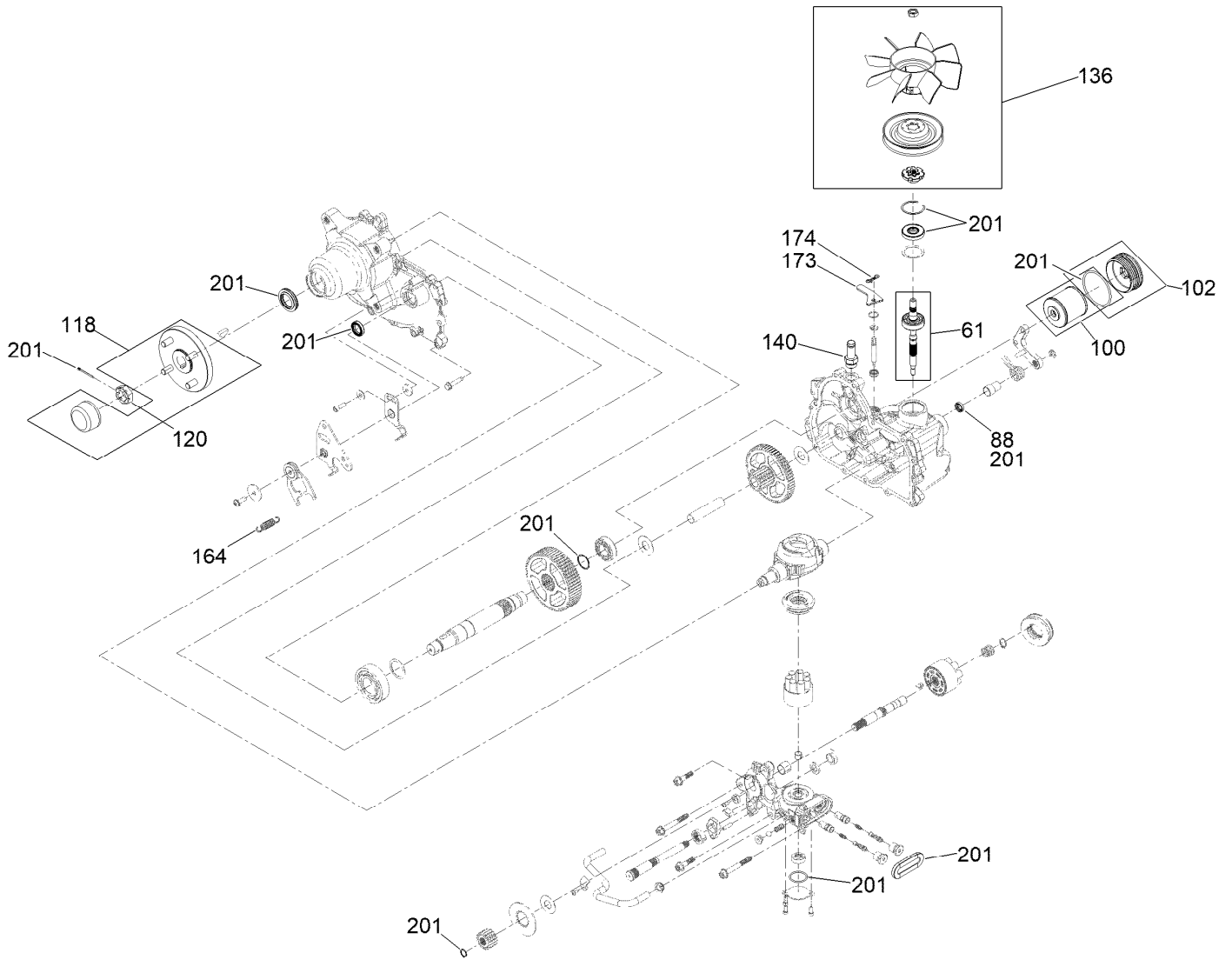
# LH Transaxle Assembly No. 145-3696



# LH Transaxle Assembly No. 145-3696 (continued)

<i>Ref.</i>	<i>Part Number</i>	<i>Qty.</i>	<i>Description</i>	<i>Ref.</i>	<i>Part Number</i>	<i>Qty.</i>	<i>Description</i>
61	147-1671	1	Kit, Input Shaft	136	144-6597	1	Kit, Fan And Pulley
88	145-3637	1	Seal, Brake	140	144-6601	1	Fitting-5/8 Beaded, 7/8 SAE
100	144-6598	1	Kit, Filter	164	125-4684	1	Spring-Extension
102	144-6599	1	Kit, Filler Cap	173	139-8091	1	Plate-Lever, Bypass
118	144-6594	1	Hub-4 Bolt	174	119-1415	1	Pin-Cotter, Locking
120	144-6595	1	Nut, Slotted	201	144-6600	1	Kit, Seal

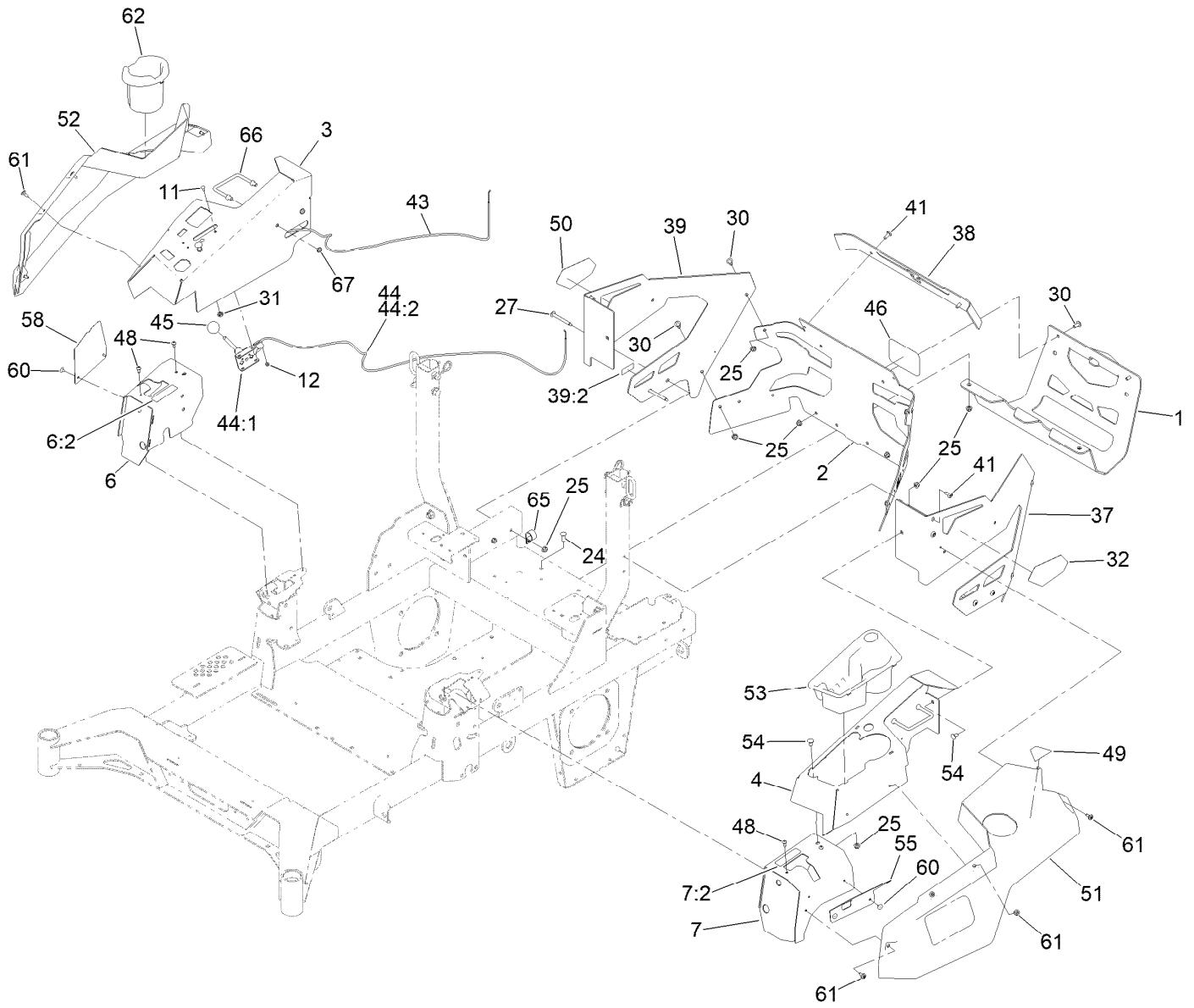
# RH Transaxle Assembly No. 145-3695



## RH Transaxle Assembly No. 145-3695 (continued)

<i>Ref.</i>	<i>Part Number</i>	<i>Qty.</i>	<i>Description</i>	<i>Ref.</i>	<i>Part Number</i>	<i>Qty.</i>	<i>Description</i>
61	147-1671	1	Kit, Input Shaft	136	144-6597	1	Kit, Fan And Pulley
88	145-3637	1	Seal, Brake	140	144-6601	1	Fitting-5/8 Beaded, 7/8 SAE
100	144-6598	1	Kit, Filter	164	125-4684	1	Spring-Extension
102	144-6599	1	Kit, Filler Cap	173	139-8091	1	Plate-Lever, Bypass
118	144-6594	1	Hub-4 Bolt	174	119-1415	1	Pin-Cotter, Locking
120	144-6595	1	Nut, Slotted	201	144-6600	1	Kit, Seal

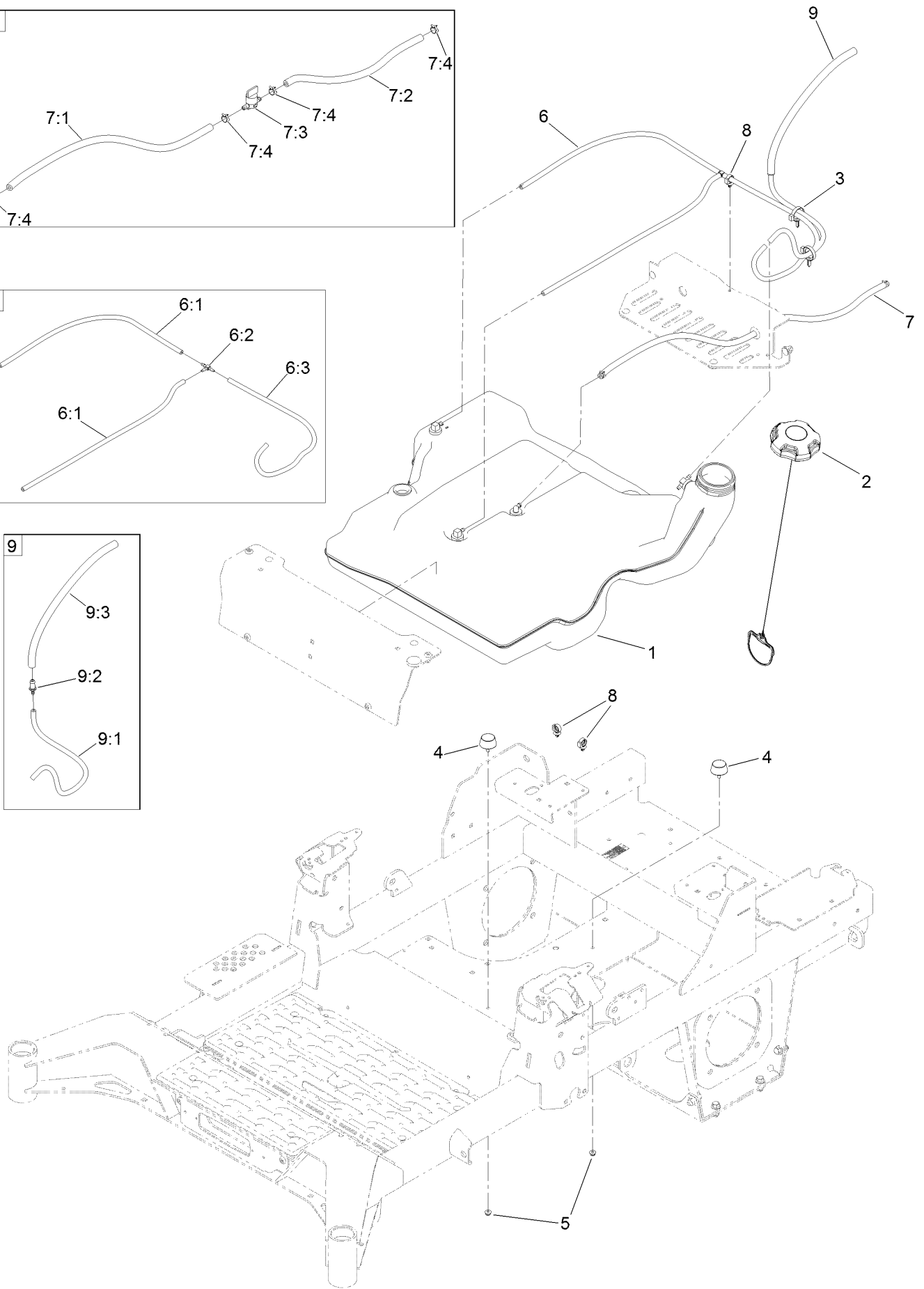
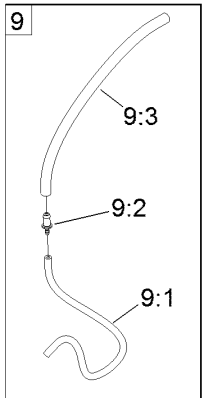
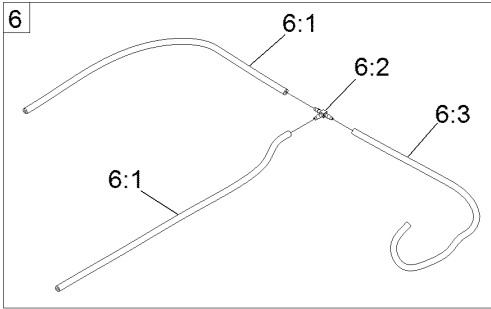
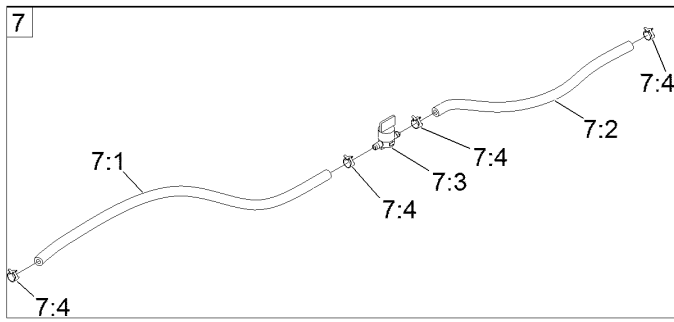
# Throttle, Choke Cables and Guard Assembly



# Throttle, Choke Cables and Guard Assembly (continued)

<i>Ref.</i>	<i>Part Number</i>	<i>Qty.</i>	<i>Description</i>	<i>Ref.</i>	<i>Part Number</i>	<i>Qty.</i>	<i>Description</i>
1	139-6719-03	1	Guard-Muffler [black]	43	144-2647	1	Cable-Choke Control
2	144-2637	1	Rear Guard ASM	44	110-5727	1	Throttle Control ASM
3	144-6551-01	1	Console-RH	44:1	112-2334	1	Lever-Throttle
4	144-2638-01	1	Console-LH	44:2	110-5728	1	Cable-Throttle
6	140-4867	1	RH Cover ASM	45	1-603175	1	Knob-Ball
6:2	99-8936	1	Decal-Control, Motion	46	105-8278	1	Decal
7	140-4866	1	LH Cover ASM	48	87-6620	4	Screw-Tph Thd Form
7:2	99-8936	1	Decal-Control, Motion	49	126-9939	1	Decal-Fill, Fuel
11	1-807513	2	Bolt-CARR	50	140-7987	1	Decal-4000 Series, RH
12	3296-2	2	Nut-Lock, NI	51	140-7979	1	Side Pod, LH
24	3230-22	2	Screw-CARR	52	140-7980	1	Side Pod, RH
25	104-8300	16	Nut-HF, NI	53	140-7968	1	Cup Holder
27	126-6267	4	Screw-TTH	54	3230-18	4	Screw-CARR
30	126-6268	6	Screw-Torx	55	140-7996-03	1	Plate-Cover, LH Front
31	3220-3	1	Nut-HJ	58	140-7998-03	1	Plate-Cover, RH Front
32	139-1149	1	Decal - 4000 Series, LH	60	132-5064	4	Rivet-Pop
37	145-6964-01	1	Guard-Rear, LH	61	120-7950	8	Screw-Torx
38	140-1221-01	1	Guard-Rear, Top	62	140-8019	1	Cupholder-RH
39	145-7012	1	RH Rear Guard ASM	65	110-0824	1	R-Clamp
39:2	133-8062	1	Decal-Arrestor, Spark	66	144-2642	2	Rod-Support, Pod
41	138-9753	6	Screw	67	3296-59	4	Nut-Lock, NI

# Fuel System Assembly





## Fuel System Assembly (continued)

<i>Ref.</i>	<i>Part Number</i>	<i>Qty.</i>	<i>Description</i>	<i>Ref.</i>	<i>Part Number</i>	<i>Qty.</i>	<i>Description</i>
1	139-6722	1	Fuel Tank ASM	7:1	109-0298	1	Line-Fuel
2	135-4801	1	Cap-Fuel, Ratcheting	7:2	114-3766	1	Hose-Fuel
3	104-2490	2	Clamp-Hose	7:3	1-603770	1	Valve-Fuel
4	131-8834	2	Bumper	7:4	2412-98	4	Clamp-Hose
5	104-7201	2	Nut-HF, NI	8	126-5523	3	Clip
6	139-8067	1	Vent Hose ASM	9	140-4957	1	ASM-Fuel Vent
6:1	138-3152	2	Hose-Vent	9:1	138-3152	1	Hose-Vent
6:2	120-2234	1	Fitting-Tee	9:2	116-4630	1	Fitting-Orifice, Straight
6:3	140-4956	1	Hose-Fuel	9:3	116-4344	1	Hose-Fuel
7	139-8068	1	Fuel Hose ASM				

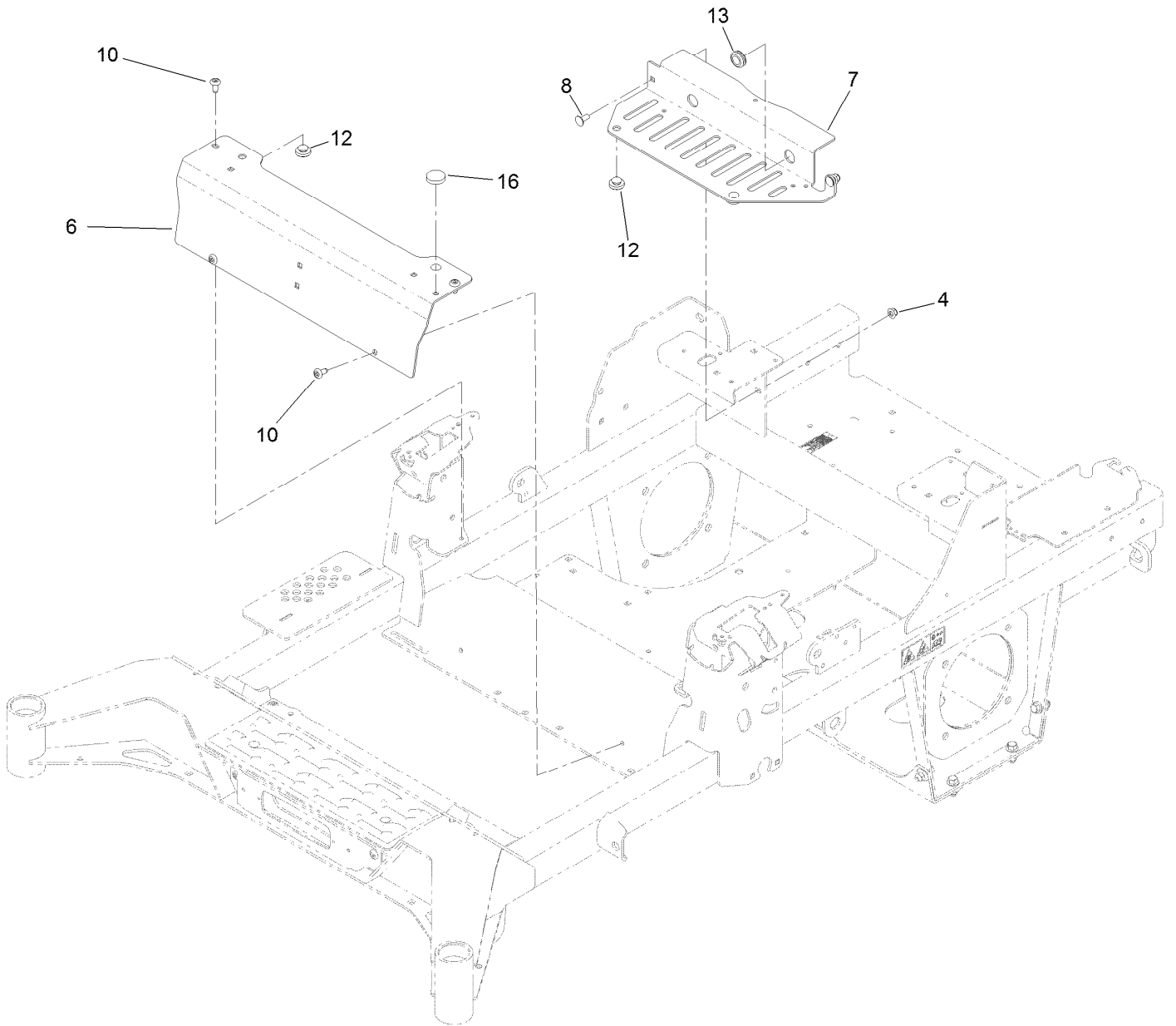
# Fuel Tank Assembly No. 139-6722



## Fuel Tank Assembly No. 139-6722 (continued)

<i>Ref.</i>	<i>Part Number</i>	<i>Qty.</i>	<i>Description</i>	<i>Ref.</i>	<i>Part Number</i>	<i>Qty.</i>	<i>Description</i>
2	46-6560	4	Bushing	5	139-8058	1	Gauge-Fuel
3	140-4955	1	Connector Elbow-90 DEG	6	126-9057	2	Fitting-90 DEG
4	133-9269	1	Grommet-Fuel	7	140-4954	1	Fitting-Tee

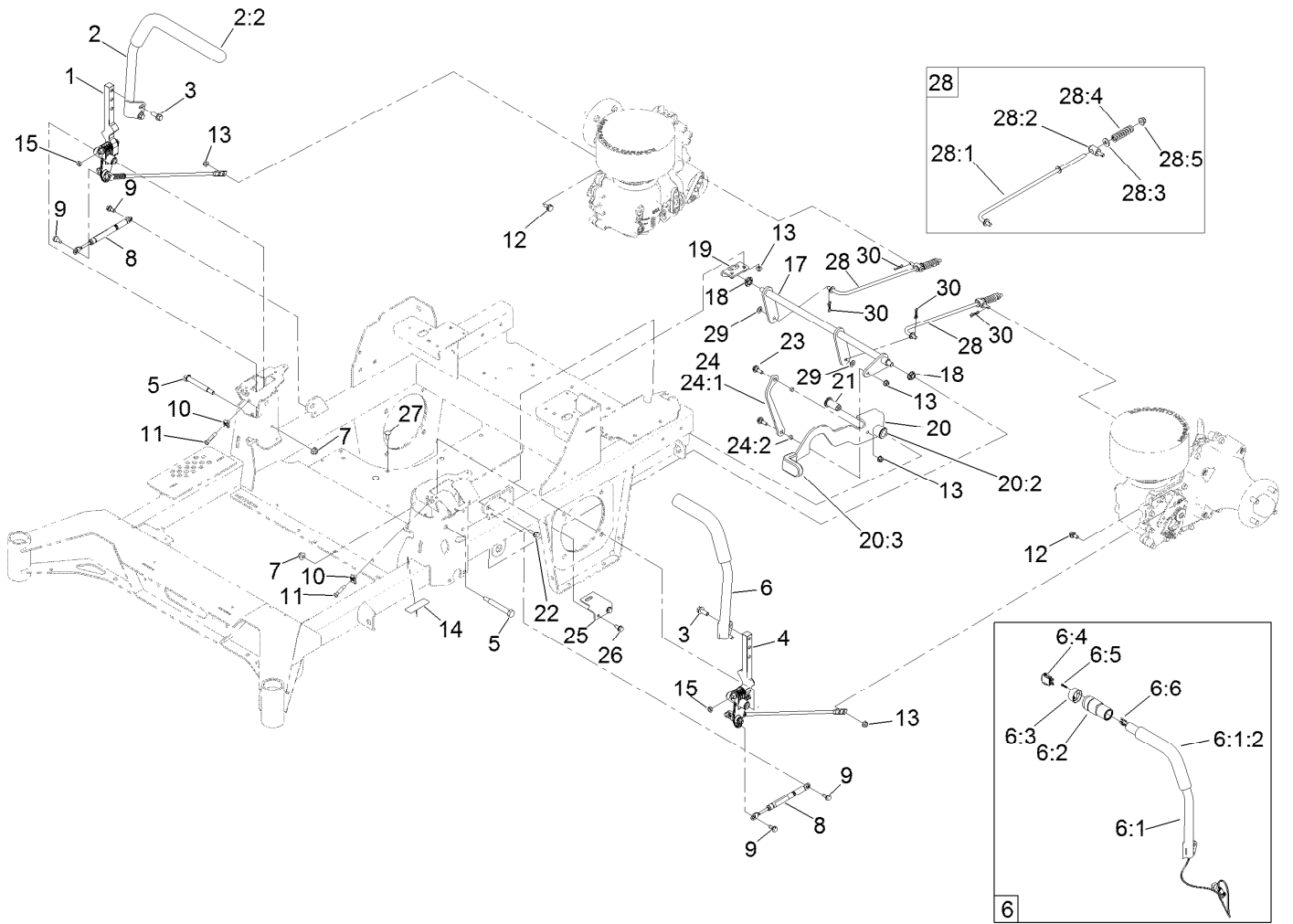
# Tank Retainer Assembly



## Tank Retainer Assembly (continued)

<i>Ref.</i>	<i>Part Number</i>	<i>Qty.</i>	<i>Description</i>	<i>Ref.</i>	<i>Part Number</i>	<i>Qty.</i>	<i>Description</i>
4	104-8300	2	Nut-HF, NI	10	138-9753	4	Screw
6	139-6706-03	1	Plate-Tank Retainer, Front	12	135-0505	4	Bumper-Seat
7	139-6707-03	1	Plate-Tank Retainer, Rear	13	112-7069	1	Grommet
8	3230-23	2	Bolt-CARR	16	109-9233	1	Bumper-Push-In, Rubber

# Motion Control Assembly



## Motion Control Assembly (continued)

<i>Ref.</i>	<i>Part Number</i>	<i>Qty.</i>	<i>Description</i>	<i>Ref.</i>	<i>Part Number</i>	<i>Qty.</i>	<i>Description</i>
1	139-6697	1	Motion Control ASM-RH	17	144-2658	1	Brake ASM
2	139-1089	1	Handle ASM - RH	18	126-5820	2	Bearing-Spherical
2:2	109-5668	1	Grip-Lever, Control	19	139-6742	1	Bracket-Brake
3	3234-42	4	Screw-HHF	20	139-6726	1	Brake Lever ASM W/Grip
4	139-6696	1	Motion Control ASM-LH	20:2	109-8054	2	Bushing-Flange
5	115-5099	2	Bolt-Pivot	20:3	132-4749	1	Grip-Lever
6	140-8020	1	Handle ASM-LH	21	139-6743	1	Pivot-Handle
6:1		1	Handle ASM - LH ●	22	3234-29	1	Screw-HHF
6:1:2	109-5668	1	Grip-Lever, Control	23	116-2670	2	Screw-Shoulder
6:2	125-2662	1	Case ASM	24	144-6566	1	Brake Link ASM
6:3	121-3399	1	Cap-Switch	24:1	144-6565	1	Plate-Link, Handle
6:4	140-1228	1	Switch, Spdt (On)-Off-(On)	24:2	116-4976	2	Bushing-Sleeve
6:5	94-4496	2	Screw-PPH	25	139-6745	1	Plate-Switch
6:6	144-0354	1	Harness-Wire, Handle	26	32144-70	2	Screw-HWHTF
7	104-8301	2	Nut-HF, NI	27	3230-23	2	Bolt-CARR
8	126-4322	2	Damper	28	144-0353	2	Brake Rod ASM
9	126-4424	4	Screw-Shoulder	28:1	140-4952	1	Rod-Brake
10	112-3306	2	Nut	28:2	139-6741	1	Fitting-Rod
11	126-4299	2	Screw-HSBH	28:3	3256-3	1	Washer-Flat
12	37-8771	2	Bolt-Shoulder, HF	28:4	144-2645	1	Spring-Compression
13	104-8300	6	Nut-HF, NI	28:5	104-8301	1	Nut-HF, NI
14	115-9625	1	Decal-Brake, Parking	29	3256-45	2	Washer-Flat
15	3218-3	2	Nut-Jam	30	119-1415	4	Pin-Cotter, Locking

● Not serviced separately

# Left and Right Control Arm Assembly

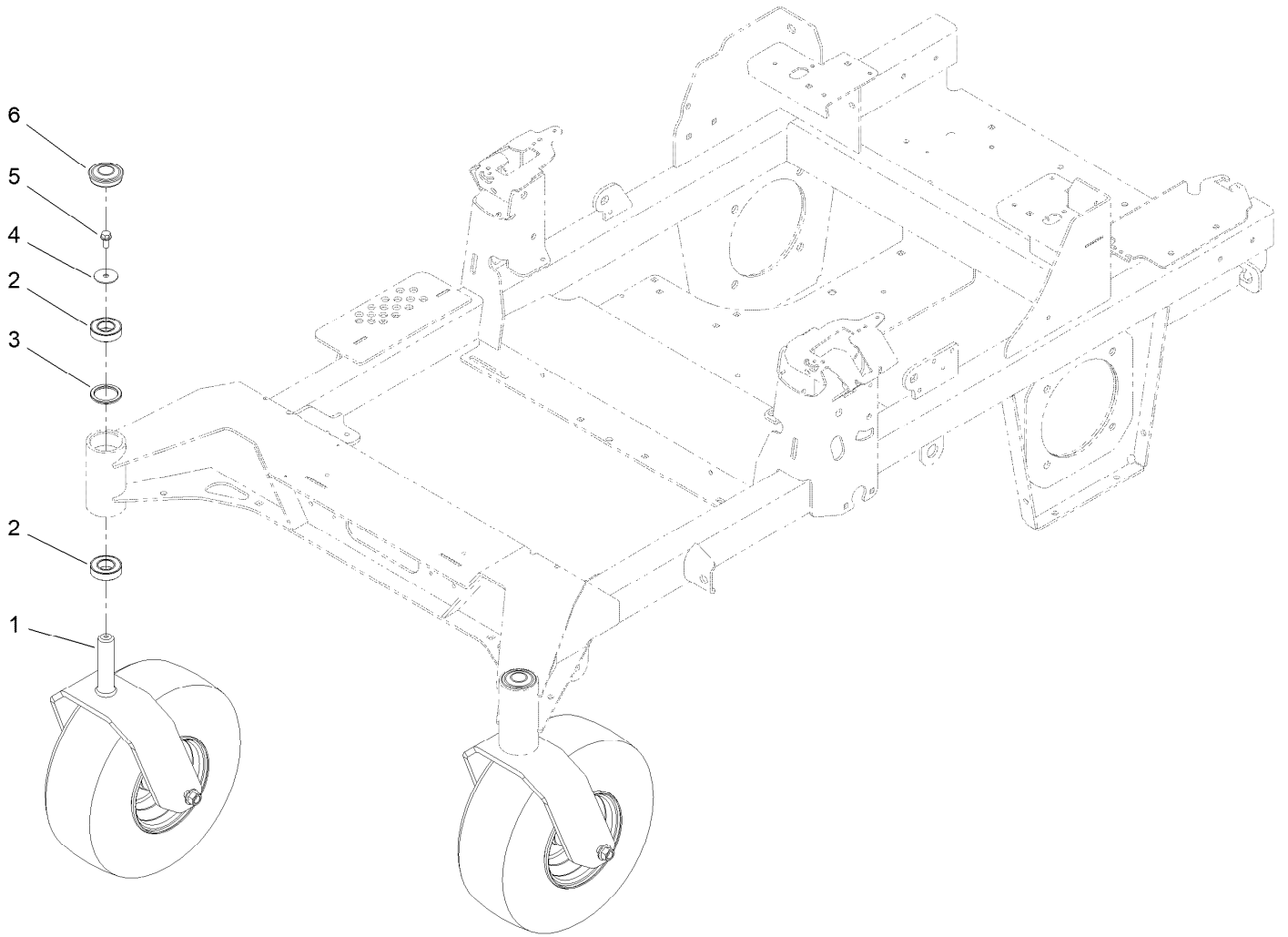




## Left and Right Control Arm Assembly (continued)

<i>Ref.</i>	<i>Part Number</i>	<i>Qty.</i>	<i>Description</i>	<i>Ref.</i>	<i>Part Number</i>	<i>Qty.</i>	<i>Description</i>
1	126-3773	1	Control Arm ASM	6	117-1198	1	Bolt-Pivot
1:2	126-8909	2	Bushing	7	3256-24	1	Washer-Flat
1:3	1-413152	2	Bushing-Sleeve	8	32152-2	1	Nut-Lock, Cone
2	126-7296	1	Washer-Friction	9	126-5434	1	Swivel
3	126-8182	1	Arm-Control	10	140-4949	1	Link-Control
4	117-1240	1	Washer	11	126-8195	1	Spring-Return, Neutral
5	119-8925	1	Washer-Belleville	12	104-8300	2	Nut-HF, NI

# Caster Wheel Assembly



## Caster Wheel Assembly (continued)

<i>Ref.</i>	<i>Part Number</i>	<i>Qty.</i>	<i>Description</i>	<i>Ref.</i>	<i>Part Number</i>	<i>Qty.</i>	<i>Description</i>
1		2	ASM-Front Caster W/Fork ●	4	3256-68	2	Washer-Flat
2	109-3678	4	Bearing-Ball	5	3234-5	2	Screw-HHF
3	145-3660	2	Spacer-Bearing	6	144-0375	2	Cap, Grease

● Not serviced separately

# Caster Wheel and Fork Assembly



## Caster Wheel and Fork Assembly (continued)

<i>Ref.</i>	<i>Part Number</i>	<i>Qty.</i>	<i>Description</i>	<i>Ref.</i>	<i>Part Number</i>	<i>Qty.</i>	<i>Description</i>
1	140-4941-01	1	Caster Fork [red]	2:1:2		1	Caster Axle ASM ●
2	140-4943	1	ASM-Pneumatic 15X6.50-6	2:1:2:1	126-5220	1	Axle-Caster
2:1		1	ASM Whl/Brgs 15X6.5-6 ●	2:1:2:2	103-3051	1	Spacer-Nut
2:1:1	140-4945	1	Wheel And Tire ASM 15X6.5-6	2:1:3	1-633585	2	Bearing-Cone, Taper
2:1:1:1	139-3624	1	Wheel Rim 6X4.5	2:1:5	103-0063	2	Seal-Caster
2:1:1:2	5108	1	Valve	2:2	103-2768	2	Guard-Seal
2:1:1:3	140-4946	1	Tire	2:3	126-5389	1	Screw-HHF
				2:4	99-5107	1	Nut-Lock

● Not serviced separately

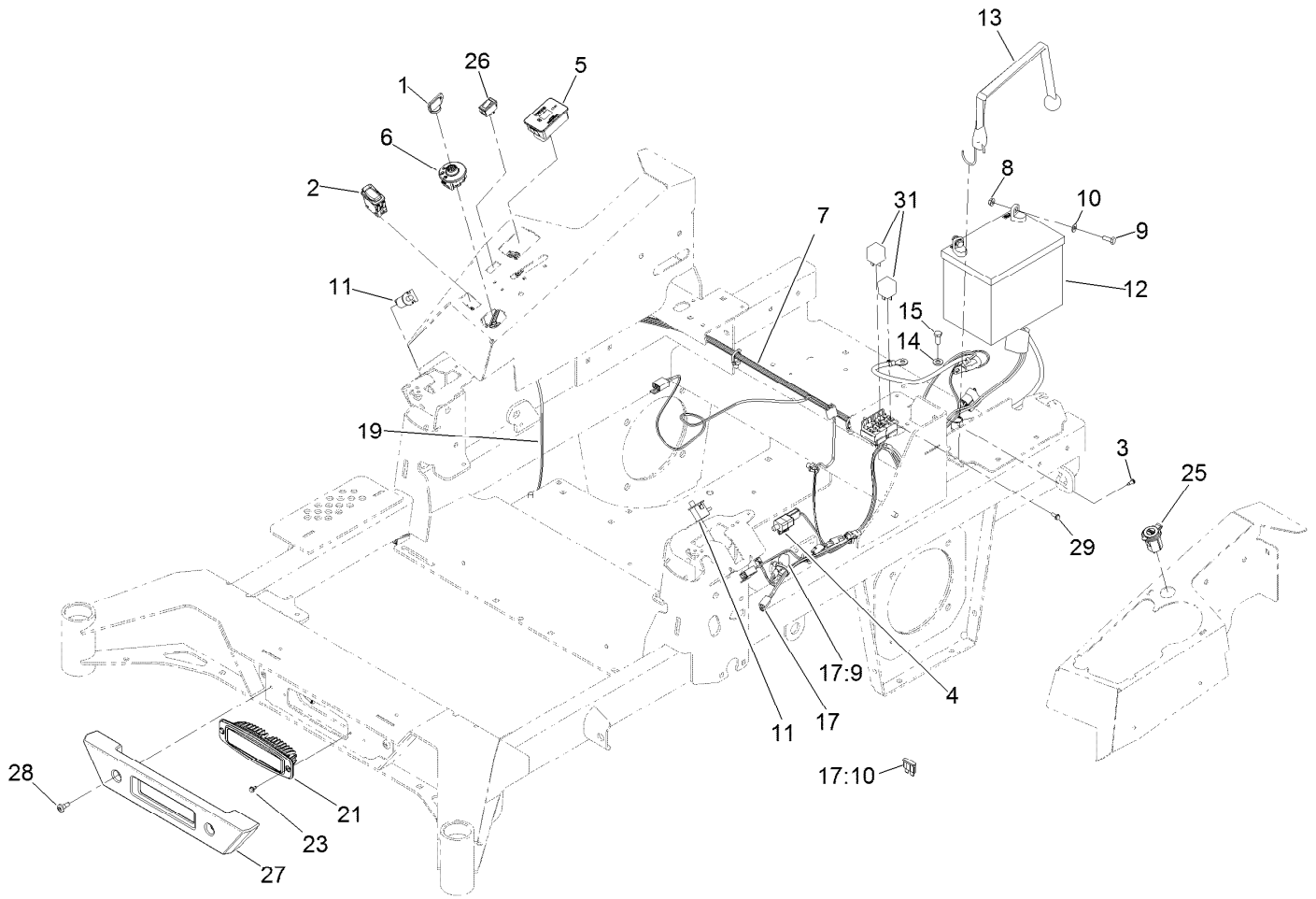
# Rear Wheel Assembly



## Rear Wheel Assembly (continued)

<i>Ref.</i>	<i>Part Number</i>	<i>Qty.</i>	<i>Description</i>	<i>Ref.</i>	<i>Part Number</i>	<i>Qty.</i>	<i>Description</i>
1	140-7981	2	Wheel And Tire ASM	1:3	232-27	1	Stem-Valve
1:1	140-7969	1	Wheel	2	242-50	2	Nut-Lug
1:2	140-7985	1	Tire				

# Electrical Assembly





## Electrical Assembly (continued)

<i>Ref.</i>	<i>Part Number</i>	<i>Qty.</i>	<i>Description</i>	<i>Ref.</i>	<i>Part Number</i>	<i>Qty.</i>	<i>Description</i>
1	1-603511	1	Keys-Ignition (Spare Pair)	14	33094-00	1	Washer-Plain
1	63-8360	1	Key-Ignition	15	33114-020	1	Screw-HH
2	139-6368	1	Switch-Rocker, On-None-On	17	140-1200	1	Harness-Wire, Deck Lift
3	99-8445	1	Screw-HWH	17:9	103-3895	1	Diode
4	110-6765	1	Switch	17:10	109101	1	Fuse-Blade, 20 Amp
5	116-5609	1	Module ASM	19	140-1213	1	Harness-Wire, Light Kit
6	137-4100	1	Switch-Ignition	21	139-8089	1	Mount-Flush, Light
7	139-8078	1	Harness-Wire	23	104-2065	2	Screw-HWH
8	32128-33	2	Nut-HF	25	140-7955	1	Port-Power, USB
9	321-4	2	Screw-HH	26	92-8875	1	Switch-Rocker
10	3256-22	2	Washer-Flat	27	140-4993	1	Bumper-Front
11	82-2190	2	Switch-Bail	28	135-2015	2	Screw-Shoulder
12	104-8162	1	Battery	29	32144-1	1	Screw-Taptite
13	126-7627	1	Strap-Bungee	31	1-643275	2	Relay

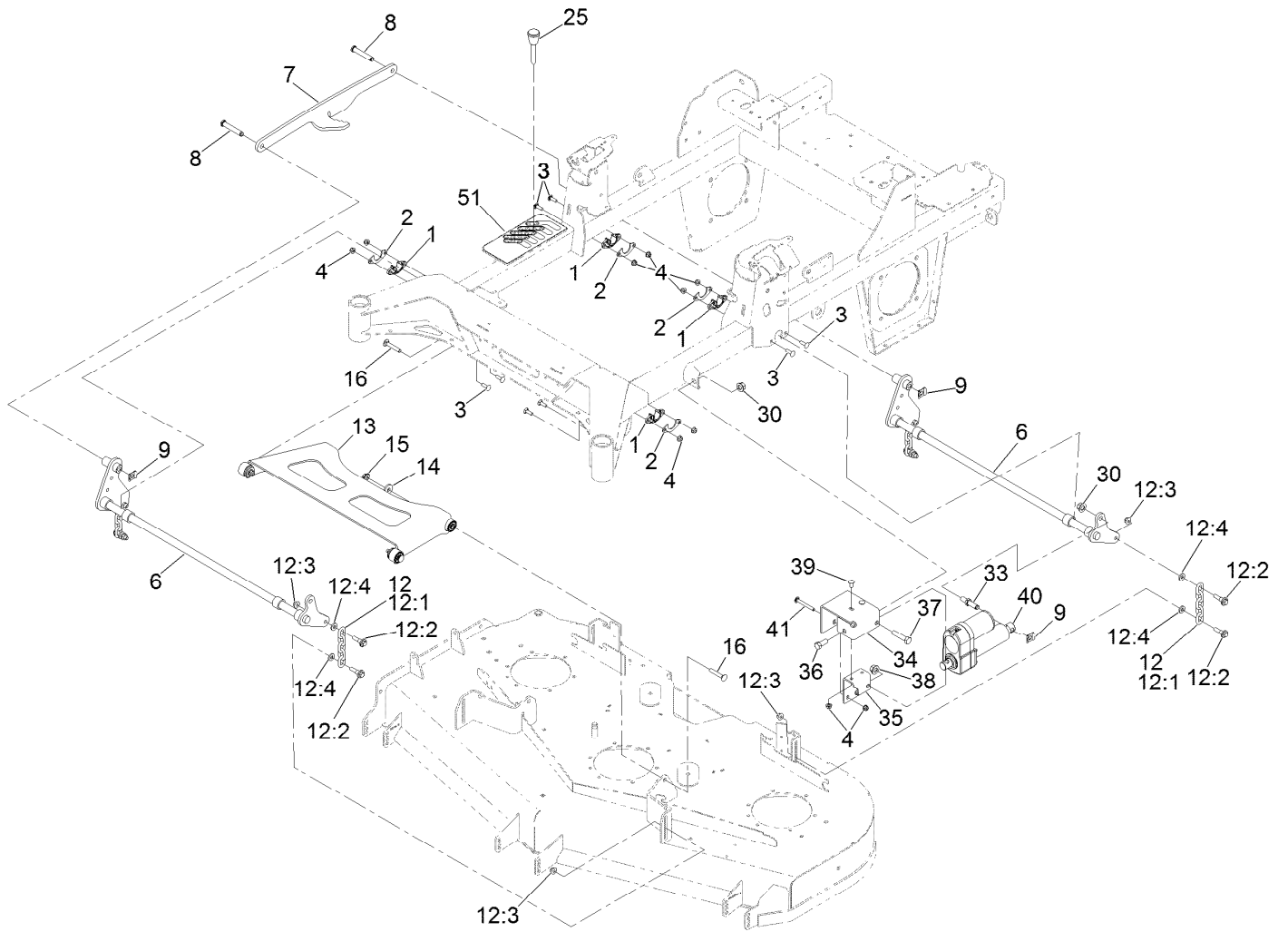
# Wire Harness Assembly No. 139-8078



## Wire Harness Assembly No. 139-8078 (continued)

<i>Ref.</i>	<i>Part Number</i>	<i>Qty.</i>	<i>Description</i>	<i>Ref.</i>	<i>Part Number</i>	<i>Qty.</i>	<i>Description</i>
11	116-0053	3	Cap-Plug	16	32180-176	1	Cover-Block, Fuse
12	103-3895	1	Diode	17	32180-177	1	Clip-Mounting
13	121-8867	1	Fuse-Mini Blade, 15 Amp	18	126-8876	1	Insulator-Battery
14	121-8868	1	Fuse-Mini Blade, 20 Amp	19	1-543393	1	Insulator-Solenoid
15	126-3991	1	Relay-Micro	24	121-8869	1	Fuse-Mini Blade, 25 Amp

# Deck Lift Assembly



## Deck Lift Assembly (continued)

<i>Ref.</i>	<i>Part Number</i>	<i>Qty.</i>	<i>Description</i>	<i>Ref.</i>	<i>Part Number</i>	<i>Qty.</i>	<i>Description</i>
1	115-5065	4	Bushing-Flange	14	1-373034	2	Washer
2	116-2887	4	Gusset-Lift, Deck	15	109-6658	2	Nut-Flange, NI
3	3230-22	8	Screw-CARR	16	3231-7	2	Screw-CARR
4	104-8300	12	Nut-HF, NI	25	126-5401	1	Pin-HOC
6	140-4975-03	2	Deck Lift Shaft ASM [black]	30	99-5107	2	Nut-Lock
7	126-4639-03	1	Link-Lift	33	139-8135	1	Pin-Pivot, Actuator
8	126-9181	2	Pin-Clevis	34	145-3663-01	1	Bracket-Mount, Outer
9	138-8491	3	Clip-Pin	35	145-3664-01	1	Bracket-Mount, Inner
12	126-8877	4	Deck Chain ASM	36	3234-38	1	Screw-HHF
12:1	1-633447	1	Chain-Lift, Deck	37	3234-46	1	Screw-HHF
12:2	130-0742	2	Bolt-Shoulder	38	99-5107	1	Nut-Lock
12:3	104-8301	2	Nut-HF, NI	39	137-3061	2	Bolt-CARR
12:4	43-0940	2	Spacer	40	139-8111	1	Actuator-Linear
13	140-1179	1	ASM-Deck Strut W/ Bushings	41	3230-9	2	Screw-CARR
				51	139-6699	1	Decal-HOC

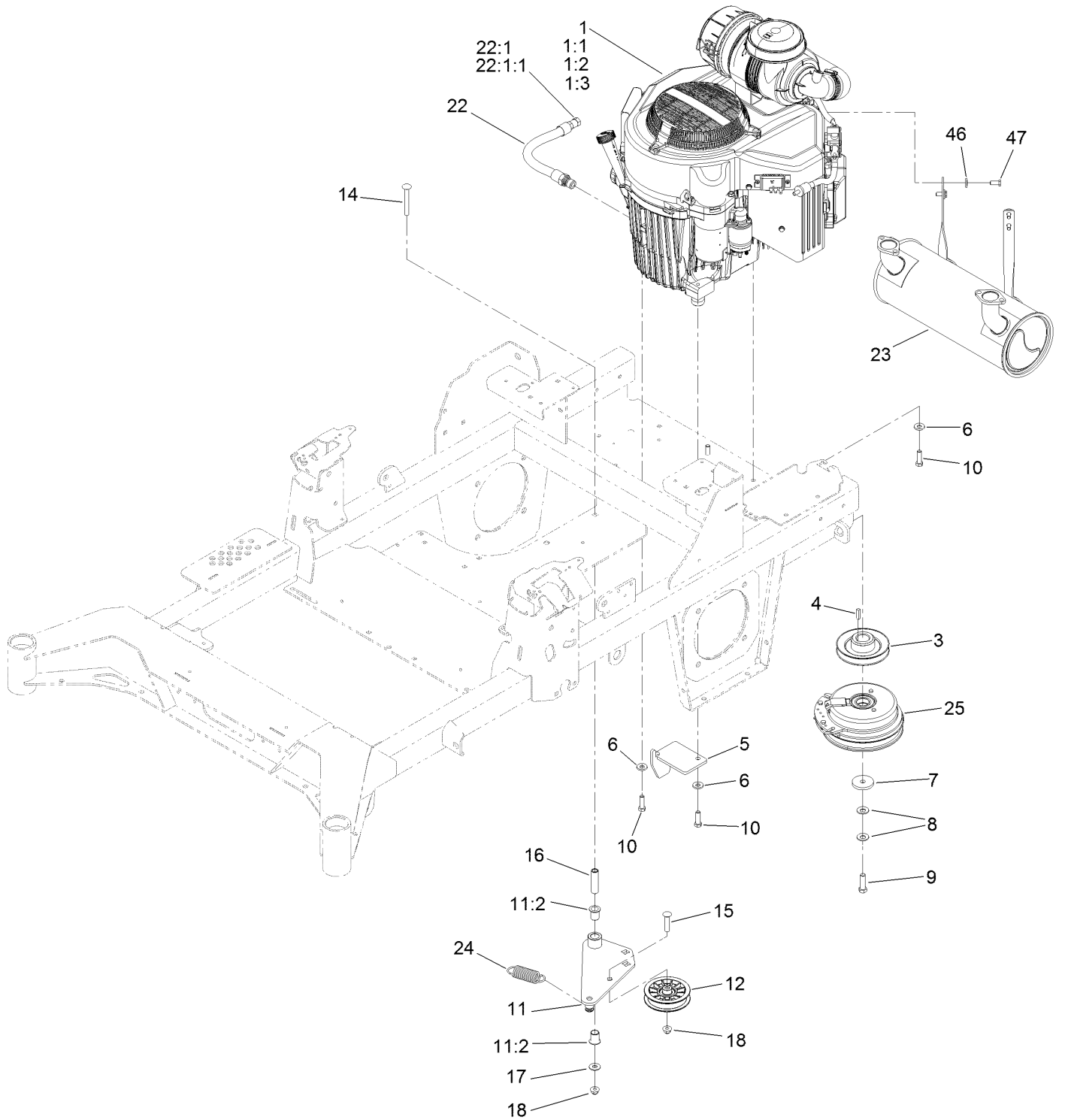
# Deck Strut Assembly No. 140-1179



## Deck Strut Assembly No. 140-1179 (continued)

<i>Ref.</i>	<i>Part Number</i>	<i>Qty.</i>	<i>Description</i>	<i>Ref.</i>	<i>Part Number</i>	<i>Qty.</i>	<i>Description</i>
2	126-8360	4	Bushing-Rubber, Suspension	4	3231-7	2	Screw-CARR
3	108-6544	4	Spacer	5	2844	2	Washer
				6	104-8301	2	Nut-HF, NI

# Engine, Clutch and Muffler Assembly





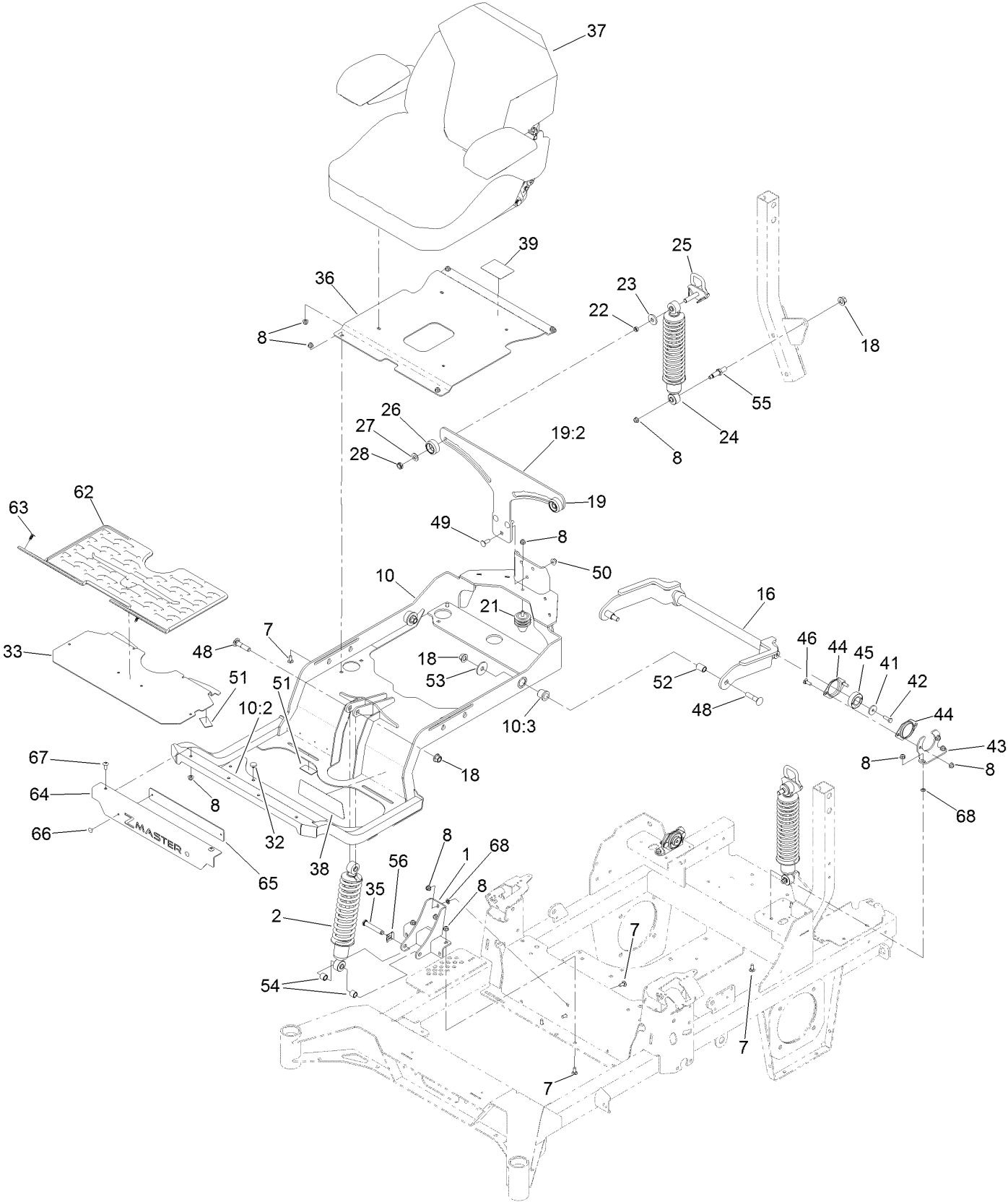
## Engine, Clutch and Muffler Assembly (continued)

<i>Ref.</i>	<i>Part Number</i>	<i>Qty.</i>	<i>Description</i>	<i>Ref.</i>	<i>Part Number</i>	<i>Qty.</i>	<i>Description</i>
1	126-2131	1	Engine-Kawasaki, Fx921V-S04-R	11	144-2671	1	Idler Arm ASM
1:1		1	Kawasaki 49065-7007 Engine Oil Filter ■▲	11:2	138-2573	2	Bushing-Flange
1:2		1	Kawasaki 11013-7044 Engine Air Filter ■▲	12	116-2456	1	Pulley-Flat Idler
1:3		1	Kawasaki 11013-7045 Safety Filter ■▲	14	3231-42	1	Screw-CARR
3	139-6702	1	Sheave, W/Hub	15	3231-29	1	Screw-CARR
4	1-807259	1	Key	16	139-6690	1	Bushing, Idler Pivot
5	140-1190	1	Anchor-Clutch	17	3256-4	1	Washer-Flat
6	98-5975	4	Washer-Belleville	18	104-8301	2	Nut-HF, NI
7	109-6919	1	Washer-Clutch	22	116-4924	1	Engine Oil Drain Hose ASM
8	1-603610	2	Washer-Spring	22:1	353-508	1	Plug-HH ●
9	109-9761	1	Screw-HH	22:1:1	237-42	1	O-Ring
10	323-7	4	Screw-HH	23	140-8002	1	Muffler
				24	1-653331	1	Spring-Idler
				25	116-1604	1	Clutch
				46	1-303334	4	Washer-Spring
				47	33114-020	4	Screw-HH

● Torque to 24-26 ft-lb  
▲ Obtain parts from [www.kawpower.com](http://www.kawpower.com)

■ Not serviced separately

# Seat Suspension Platform Assembly



## Seat Suspension Platform Assembly (continued)

<i>Ref.</i>	<i>Part Number</i>	<i>Qty.</i>	<i>Description</i>	<i>Ref.</i>	<i>Part Number</i>	<i>Qty.</i>	<i>Description</i>
1	139-6691-03	1	Mount-Shock, Lower [black]	38	144-0437	1	Decal-Myride
2	136-1719	1	Shock ASM-Front	39	144-2669	1	Decal-Service Aid
7	3230-23	8	Bolt-CARR	41	105-3048	2	Washer-Flat
8	104-8300	23	Nut-HF, NI	42	116-0648	2	Screw-HH, Thread Locking
10	140-4868	1	Subframe ASM	43	127-6759-03	2	Bracket-Bearing
10:2	132-0871	1	Decal-Danger	44	127-6743	4	Housing-Bearing, Flange
10:3	127-6745	2	Bushing-Flange	45	1-653346	2	Bearing
16	127-6754-03	1	Arm-Trailing	46	3230-10	4	Bolt-CARR
18	99-5107	5	Nut-Lock	48	127-6768	3	Screw-CARR
19	144-2602	1	Bracket-Mounting	49	3231-22	3	Screw-CARR
19:2	132-5067	1	Decal-Adjustment, Ride	50	104-8301	5	Nut-HF, NI
21	126-5491	1	Isolator	51	130-0733	4	Pad-Rubber
22	133-5109	2	Bearing-Sleeve	52	127-6751	2	Spacer-Aluminum
23	131-4699	2	Washer-Plastic	53	86-1990	2	Washer-Thrust
24	133-1815	2	Shock/Spring ASM	54	140-4869	2	Spacer-Tube
25	136-9017	2	Cam Lock ASM	55	133-4401	2	Bolt-Shoulder
26	136-5636	2	Knob-Lock, Cam	56	138-8491	1	Clip-Pin
27	3-6803	2	Washer-Adjusting	62	144-0355	1	Floormat-Myride
28	3296-45	2	Nut-Hex	63	117-2382	2	Plug-Plastic
32	1-513658	2	Bumper	64	144-0382-03	1	Plate-Badge
33	144-0381-01	1	Floorpan	65	144-0422-01	1	Plate-Backer
35	126-9181	1	Pin-Clevis	66	132-5064	2	Rivet-Pop
36	140-1197-03	1	Pan-Seat	67	126-6268	2	Screw-Torx
37	144-2631	1	Seat ASM-Standard	68	117-2749	6	Nut-Push

# Seat Assembly No. 144-2631

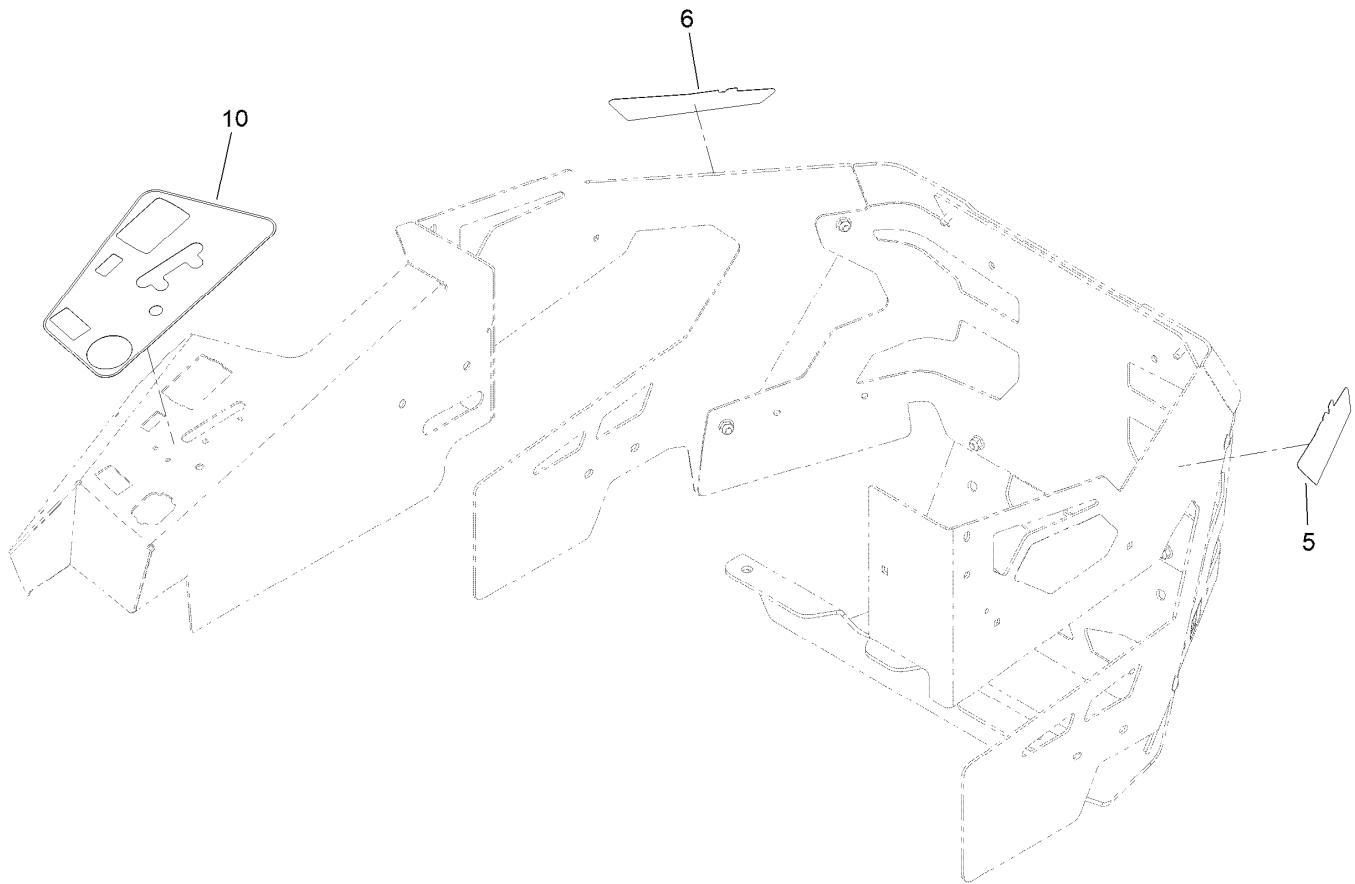


## Seat Assembly No. 144-2631 (continued)

<i>Ref.</i>	<i>Part Number</i>	<i>Qty.</i>	<i>Description</i>
1	109-9801	1	Seat Track Set
2	145-3641	1	Armrest Kit
3	145-3642	1	Pads-Armrest
4	130-2854	1	Seat Belt Kit

<i>Ref.</i>	<i>Part Number</i>	<i>Qty.</i>	<i>Description</i>
5	145-3643	1	Cover-Back, Seat
6	145-3644	1	Cover-Bottom, Seat
7	82-2190	1	Switch-Bail

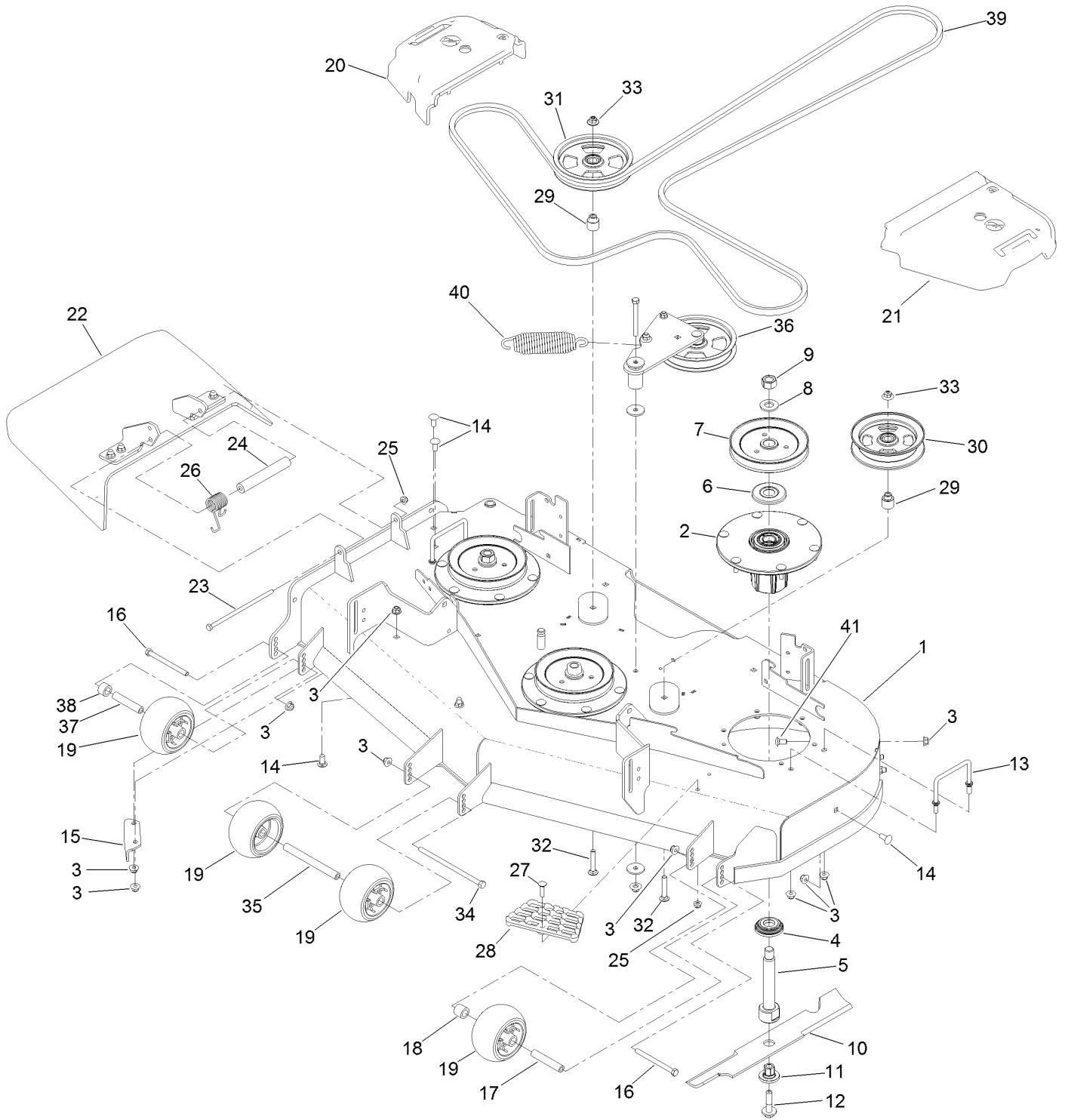
# Decal Assembly



## Decal Assembly (continued)

<i>Ref.</i>	<i>Part Number</i>	<i>Qty.</i>	<i>Description</i>
5	144-0442	1	Decal - HDX
6	144-0443	1	Decal - HDX
10	144-6569	1	Decal-Panel, Control

# Deck Assembly

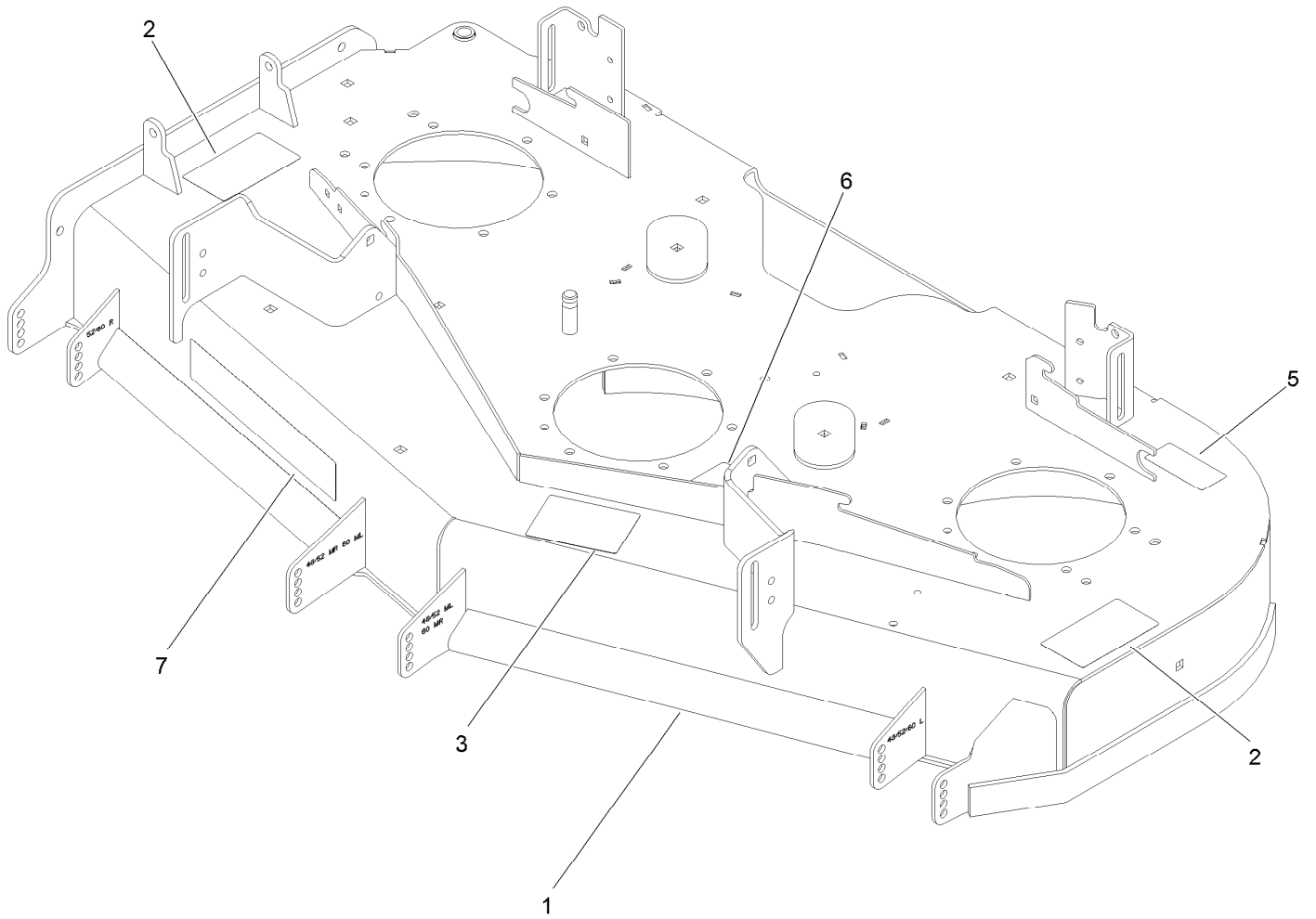




## Deck Assembly (continued)

<i>Ref.</i>	<i>Part Number</i>	<i>Qty.</i>	<i>Description</i>	<i>Ref.</i>	<i>Part Number</i>	<i>Qty.</i>	<i>Description</i>
1	144-6587	1	Deck Decal ASM	22	144-2635	1	Rubber Deflector ASM
2	137-9780	3	Spindle ASM	23	322-50	1	Screw-HH
3	104-8301	34	Nut-HF, NI	24	105-4622	1	Spacer
4	137-9784	3	Guard-Bottom	25	104-8300	2	Nut-HF, NI
5	138-6045	3	Shaft-Spindle	26	108-4052	1	Spring-Torsion
6	103-1330	3	Guard-Bearing, Top	27	3230-3	1	Screw-CARR
7	138-6058	3	Sheave-Blade Drive 6.50	28	126-4781-03	1	Step-Deck
8	103-2802	3	Washer	29	139-8061	2	Bushing, Idler
9	116-7306	3	Nut-Hex	30	132-9425	1	Pulley-Idler, Flat
10	140-1242	3	Blade-Flow, High	31	132-9424	1	Pulley-Idler, Flat
11	137-9787	3	Bushing-Hex	32	3231-7	2	Screw-CARR
12	109-9220	3	Screw-Sems	33	109-6658	2	Nut-Flange, NI
13	109-6982	2	Wireform-Cover	34	108-5388	1	Screw-HH
14	3231-27	6	Screw-CARR	35	98-5967	1	Spacer-Wheel
15	107-8541-01	1	Baffle-Discharge	36	139-1087	1	Idler Arm ASM
16	323-23	2	Screw-HH	37	133-2129	1	Tube-Shafting
17	98-7912	1	Tube-Spanner	38	133-2128	1	Tube-Spacer
18	98-7913	1	Tube-Spacer	39	144-0356	1	Belt-V
19	1-603299	4	Roller-Scalp, Anti	40	116-6317	1	Spring-Extension
20	109-6935	1	Cover-Belt, RH	41	3231-21	3	Screw-CARR
21	109-6936	1	Cover-Belt, LH				

# Deck Decal Assembly No. 144-6587



## Deck Decal Assembly No. 144-6587 (continued)

<i>Ref.</i>	<i>Part Number</i>	<i>Qty.</i>	<i>Description</i>	<i>Ref.</i>	<i>Part Number</i>	<i>Qty.</i>	<i>Description</i>
1		1	Deck ASM W/Decals 52 ●	5	116-8283	1	Decal-Torque, Bolt
2	117-3848	2	Decal-Danger	6	109-6035	1	Decal-Routing, Belt
3	127-0326	1	Decal-Scalp, Anti	7	107-1618	1	Decal

● Not serviced separately

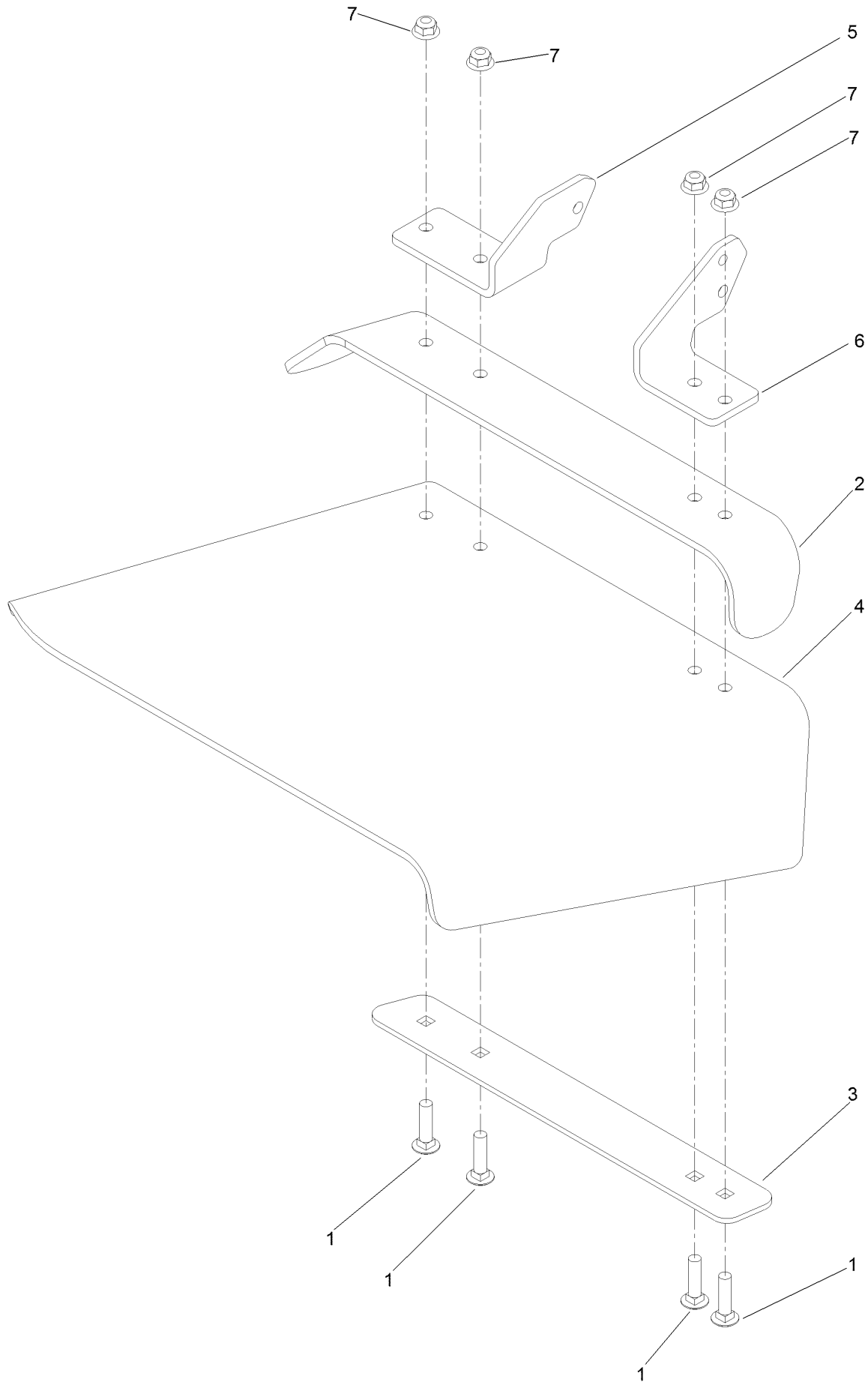
# Spindle Assembly No. 137-9780



## Spindle Assembly No. 137-9780 (continued)

<i>Ref.</i>	<i>Part Number</i>	<i>Qty.</i>	<i>Description</i>
2	116-0720	2	Bearing-Ball
3	138-6042	1	Spacer-Bearing

# Deflector Assembly No. 144-2635



## Deflector Assembly No. 144-2635 (continued)

<i>Ref.</i>	<i>Part Number</i>	<i>Qty.</i>	<i>Description</i>	<i>Ref.</i>	<i>Part Number</i>	<i>Qty.</i>	<i>Description</i>
1	3231-4	4	Screw-CARR	5	108-4059-01	1	Plate-Hinge, Rear
2	106-3246-01	1	Deflector	6	106-3253-01	1	Plate-Hinge, Front
3	106-3248-03	1	Strap-Discharge	7	104-8301	4	Nut-HF, NI
4	139-8114	1	Deflector-Deck, Rubber				

# Idler Arm Assembly No. 139-1087





## Idler Arm Assembly No. 139-1087 (continued)

<i>Ref.</i>	<i>Part Number</i>	<i>Qty.</i>	<i>Description</i>	<i>Ref.</i>	<i>Part Number</i>	<i>Qty.</i>	<i>Description</i>
1	139-1086	1	Idler Arm ASM	7	109-6658	3	Nut-Flange, NI
2	138-2573	2	Bushing-Flange	8	323-15	1	Screw-HH
3	139-8060	1	Bushing, Idler	9	3231-5	1	Screw-CARR
4	132-9424	1	Pulley-Idler, Flat	10	132-4729	1	Anchor-Spring, Short
5	139-6690	1	Bushing, Idler Pivot	11	136-9028	1	Bolt-Shoulder, HWH
6	1-213069	3	Washer	12	104-8301	1	Nut-HF, NI

# Attachments and Accessories

## For 74052 52in Z Master 4000 Series Riding Mower

<b>Product Name</b>	<b>Model/Part</b>
Hypr-Oil 500 (quart) .....	114-4713
Hypr-Oil 500 (gallon).....	114-4714
Hypr-Oil 500-5 (5 gallon).....	114-4715
Spark Arrestor .....	117-3281
Striper Kit.....	126-7882
Jack Kit.....	127-6666
Recycler Kit-G3/Grandstand, 52.....	139-6653
Blade-18.00 High Flow .....	140-1242
Blade-18.00 Medium Flow .....	140-4856
Blade-18.00 Low Flow .....	140-4857
Blade-18.00 Atomic .....	140-4858
Blade-18.00 Recycler .....	140-4859
6 Pack-Blade, 18.00 High Flow.....	140-4882
6 Pack-Blade, 18.00 Med Flow .....	140-4883
6 Pack-Blade, 18.00 Low Flow .....	140-4884
6 Pack-Blade, 18.00 Atomic.....	140-4885
6 Pack-Blade, 18.00 Recycler.....	140-4886
Trimmer Mount .....	144-2665
Kit, Jack Mount .....	144-2676
Hardtop Sun Canopy .....	144-3719
52" Chute Gate Kit [4000] .....	144-6571
Asm-Semi Pneumatic 15x6.50-6 .....	145-1919
Handle Extension Kit .....	145-3615
Z 4000 Bagger Kit.....	78463
Z 4000 52in Completion Kit.....	78465

**Notes:**



**Count on it.**