



Count on it.

Parts Catalog

**60in Z Master® 4000 Series
Riding Mower**

Model No. 74015—Serial No. 410139362 and Up



Ordering Replacement Parts

To order replacement parts, please supply the part number, the quantity, and the description of each part desired.

Understanding Reference Numbers

Each identified part in an illustration has a reference number. The reference number for a part also appears in the parts list, along with other information about the part.

This catalog uses two special reference number formats, one to indicate parts in a service assembly and another to indicate the quantity of a given part in an illustration.

Service Assembly Reference Numbers

Parts in service assemblies have reference numbers in the form a:b. The a represents the reference number of the entire service assembly and the b represents a sequential number unique to each part within the service assembly.

For example, a wheel assembly might be identified by reference number 6, the tire by 6:1, the valve by 6:2, and the wheel by 6:3. When you order the assembly identified by reference number 6, you receive all parts identified by reference numbers 6:1, 6:2, and 6:3. However, you may also order any part individually. Reference numbers of this type appear in illustration and in parts lists.

Reference Numbers Indicating Quantity

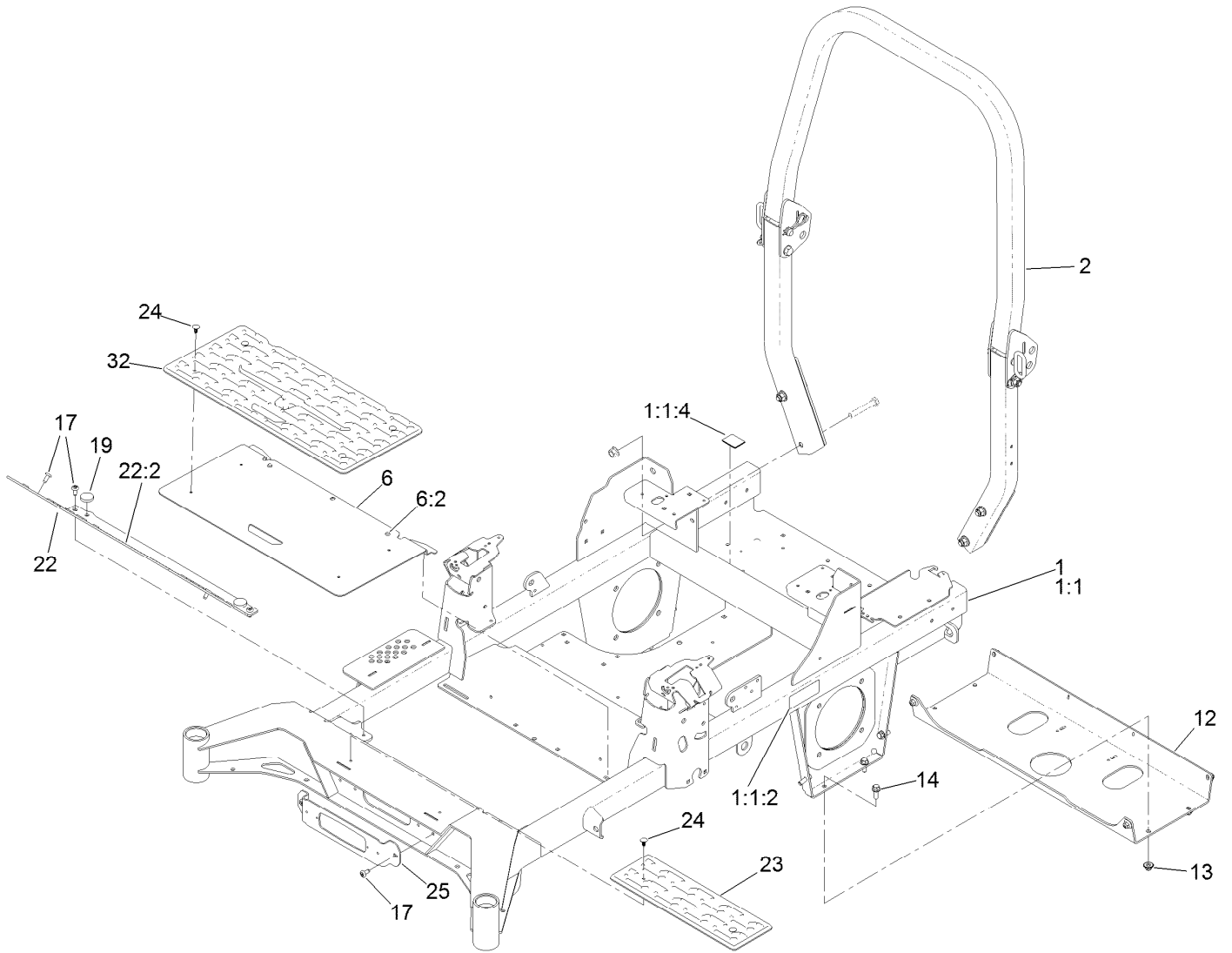
In an illustration, if a reference number indicates more than one part, the reference number has the form nX y. The n represents the quantity of the part, the X is the multiplication symbol, and the y represents the reference number.

For example, in an illustration, the reference number 2X 37 means that two of the parts identified by reference number 37 are indicated.

Contents

Frame Assembly	4
Roll-Over Protection System Assembly No. 139-8062	6
Hydro Assembly	8
LH Transaxle Assembly No. 138-6076	10
RH Transaxle Assembly No. 138-6077	12
Throttle, Choke Cables and Guard Assembly	14
Fuel System Assembly	16
Fuel Tank Assembly No. 139-6722	18
Seat Mount Assembly	20
Seat Assembly No. 144-2632	22
Motion Control Assembly	24
Left and Right Control Arm Assembly	26
Caster Wheel Assembly	28
Caster and Wheel Assembly	30
Rear Wheel Assembly	32
Electrical Assembly	34
Wire Harness Assembly No. 139-8078	36
Deck Lift Assembly	38
Deck Strut Assembly No. 140-1179	40
Engine, Clutch and Muffler Assembly	42
Decal Assembly	44
Deck Assembly	46
Deck Decal Assembly No. 144-6588	48
Spindle Assembly No. 137-9780	50
Deflector Assembly No. 144-2635	52
Idler Arm Assembly No. 139-1087	54
Attachments and Accessories	56

Frame Assembly



Frame Assembly (continued)

<i>Ref.</i>	<i>Part Number</i>	<i>Qty.</i>	<i>Description</i>	<i>Ref.</i>	<i>Part Number</i>	<i>Qty.</i>	<i>Description</i>
1	144-6590	1	Frame Decal ASM	14	3234-42	8	Screw-HHF
1:1		1	Frame-60 ●	17	138-9753	6	Screw
1:1:2	126-4363	2	Decal-Warning	19	109-9233	2	Bumper-Push-In, Rubber
1:1:4	144-2687	1	Decal, Belt Routing	22	140-4995	1	Toeboard
2	139-8062	1	ASM-ROPS	22:2	126-8383	1	Decal-Danger
6	138-6098	1	ASM-Floor Pan	23	140-4992	1	Step
6:2	109-9233	2	Bumper-Push-In, Rubber	24	117-2382	6	Plug-Plastic
12	139-6717-01	1	Plate-Hydro	25	140-4994-01	1	Bracket-Light
13	109-6658	8	Nut-Flange, NI	32	140-7950	1	Floormat-Fixed Seat

● Not serviced separately

Roll-Over Protection System Assembly No. 139-8062

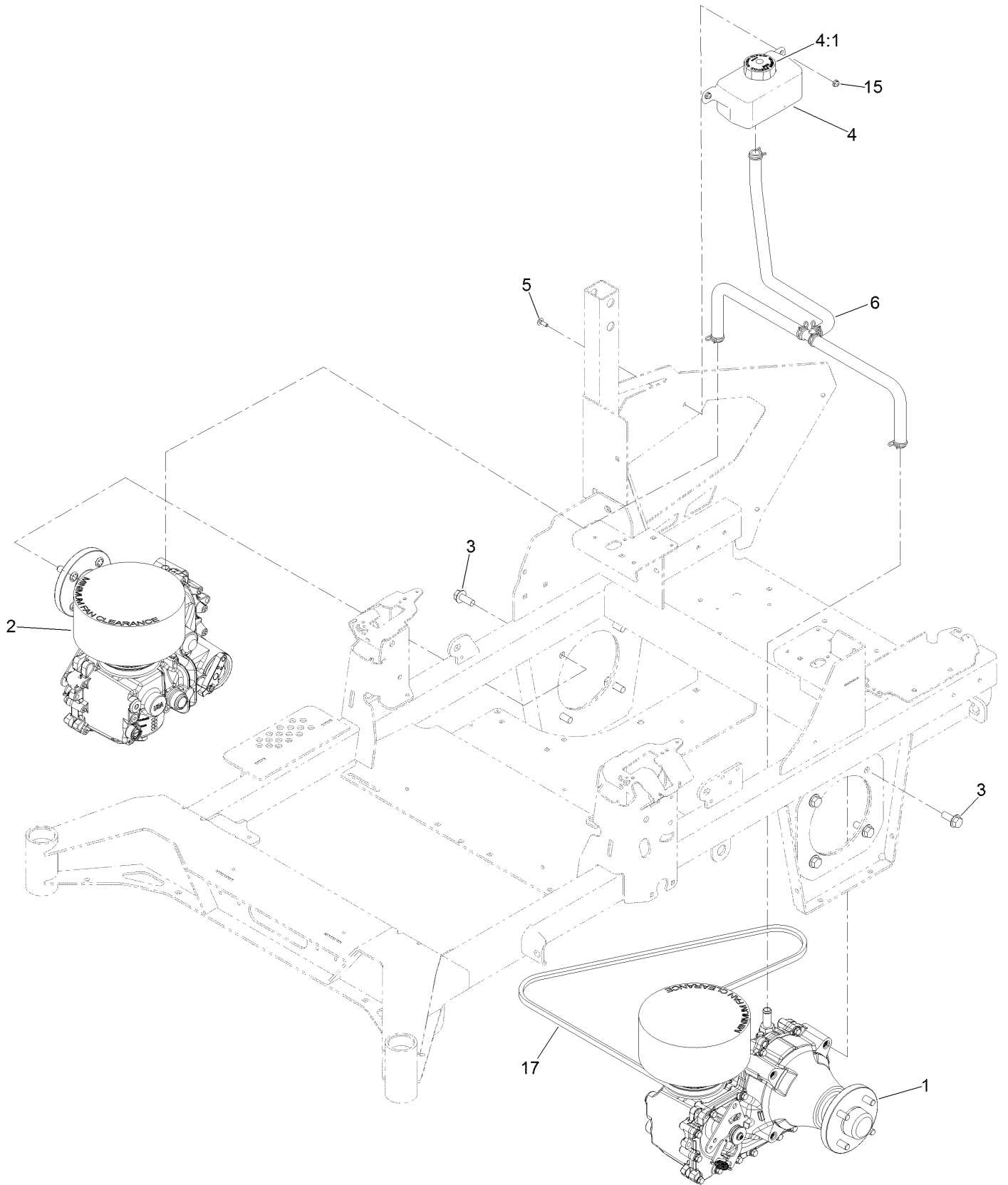


Roll-Over Protection System Assembly No. 139-8062 (continued)

<i>Ref.</i>	<i>Part Number</i>	<i>Qty.</i>	<i>Description</i>	<i>Ref.</i>	<i>Part Number</i>	<i>Qty.</i>	<i>Description</i>
1		1	Upper ROPS ASM ●	5	103-4553	2	Pin-Fold, ROPS
1:2	107-3069	1	Decal-Warning	6	99-5107	6	Nut-Lock
2		1	RH Lower ROPS ASM ●	7	109-5337	2	Bumper-ROPS
3		1	LH Lower ROPS ASM ●	8	109-9505	4	Washer-Spring
4	126-9209	2	Bolt-Shoulder	9	325-13	4	Screw-HH

● Not serviced separately

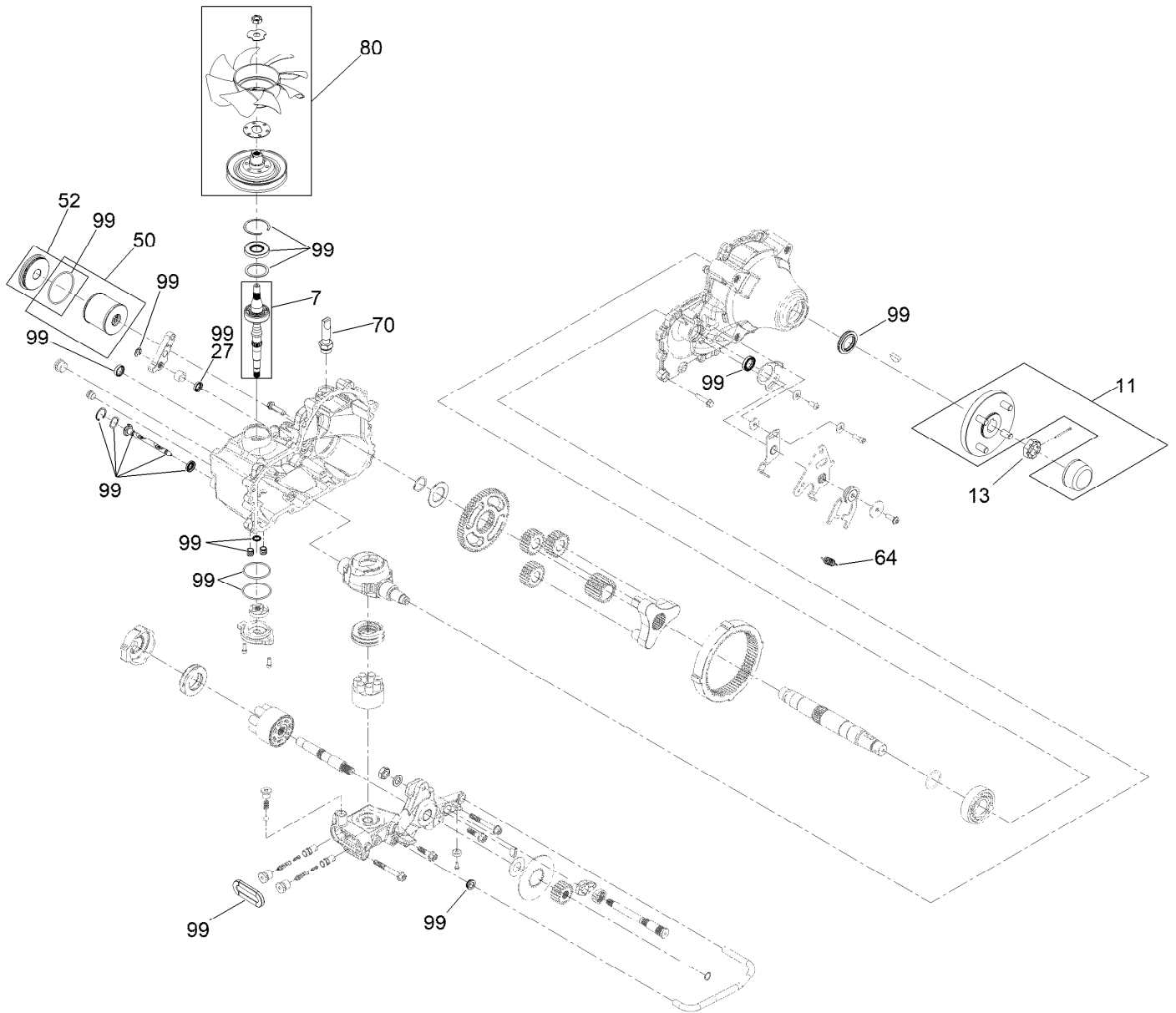
Hydro Assembly



Hydro Assembly (continued)

<i>Ref.</i>	<i>Part Number</i>	<i>Qty.</i>	<i>Description</i>	<i>Ref.</i>	<i>Part Number</i>	<i>Qty.</i>	<i>Description</i>
1	138-6076	1	LH Transaxle ASM	5	3229-28	2	Screw-CARR
2	138-6077	1	RH Transaxle ASM	6	140-1225	1	ASM-Hose, Hydraulic
3	3234-38	8	Screw-HHF	15	104-7201	2	Nut-HF, NI
4	119-9908	1	Hydraulic Reservoir ASM	17	126-9835	1	Belt-V
4:1	109-3320	1	Cap-Reservoir, HYD				

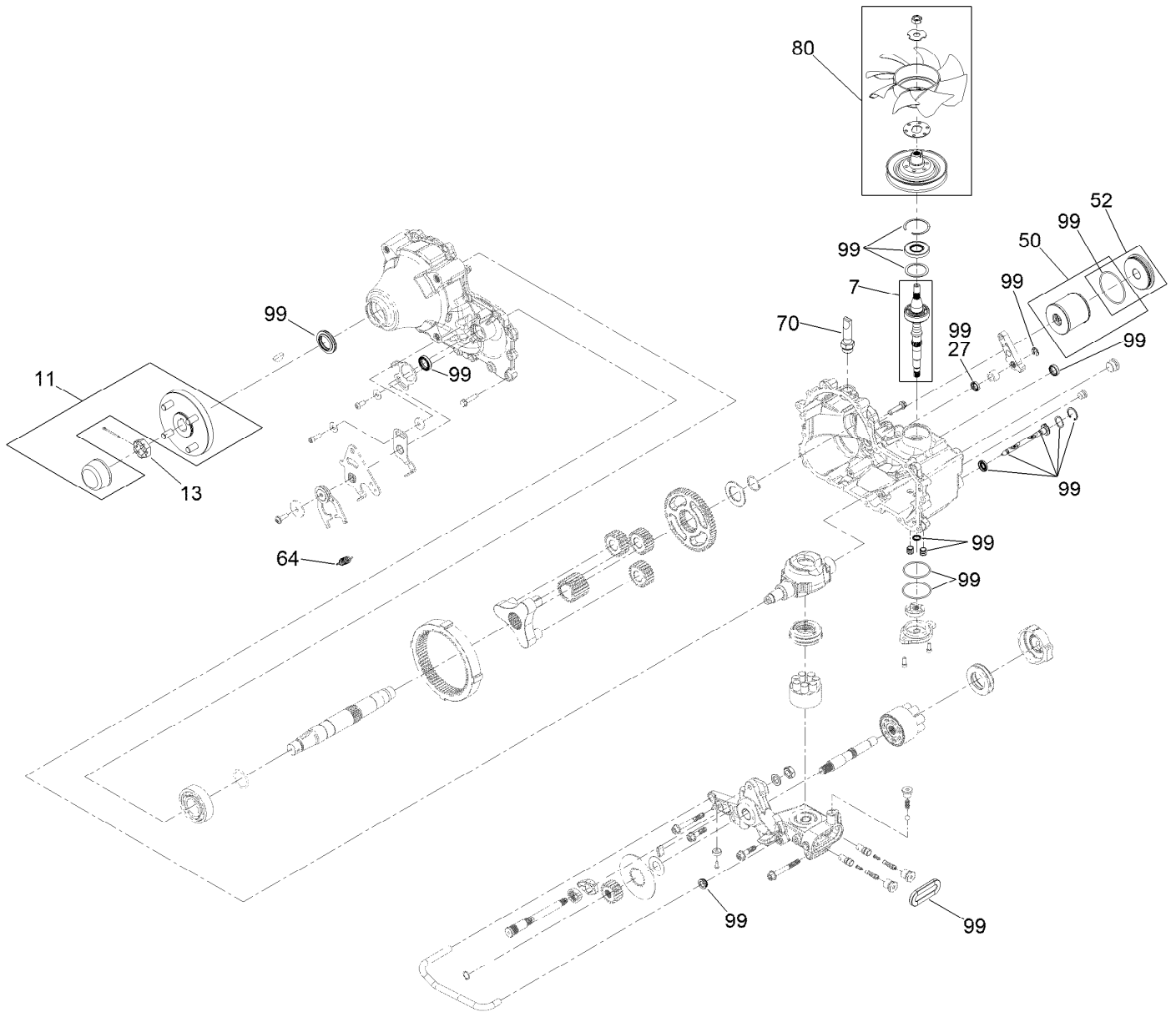
LH Transaxle Assembly No. 138-6076



LH Transaxle Assembly No. 138-6076 (continued)

<i>Ref.</i>	<i>Part Number</i>	<i>Qty.</i>	<i>Description</i>	<i>Ref.</i>	<i>Part Number</i>	<i>Qty.</i>	<i>Description</i>
7	147-1672	1	Kit, Input Shaft	52	144-6604	1	Kit, Filter Plug
11	144-6594	1	Hub-4 Bolt	64	125-4684	1	Spring-Extension
13	144-6595	1	Nut, Slotted	70	144-6601	1	Fitting-5/8 Beaded, 7/8 SAE
27	145-3678	1	Seal, Lip-Brake	80	144-6602	1	Kit, Fan And Pulley
50	144-6603	1	Kit, Filter	99	145-3683	1	Kit-Overhaul Seal

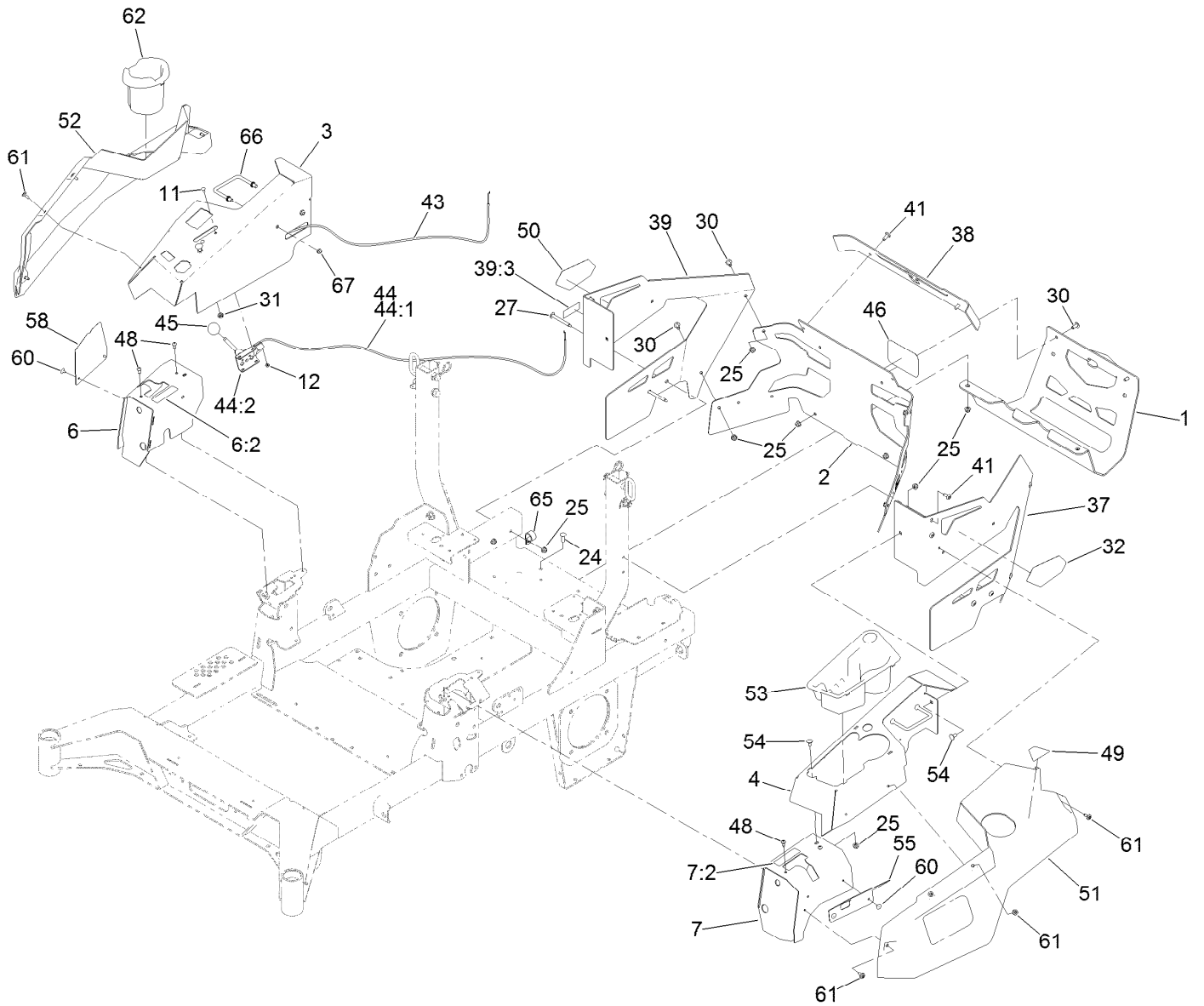
RH Transaxle Assembly No. 138-6077



RH Transaxle Assembly No. 138-6077 (continued)

<i>Ref.</i>	<i>Part Number</i>	<i>Qty.</i>	<i>Description</i>	<i>Ref.</i>	<i>Part Number</i>	<i>Qty.</i>	<i>Description</i>
7	147-1672	1	Kit, Input Shaft	52	144-6604	1	Kit, Filter Plug
11	144-6594	1	Hub-4 Bolt	64	125-4684	1	Spring-Extension
13	144-6595	1	Nut, Slotted	70	144-6601	1	Fitting-5/8 Beaded, 7/8 SAE
27	145-3678	1	Seal, Lip-Brake	80	144-6602	1	Kit, Fan And Pulley
50	144-6603	1	Kit, Filter	99	145-3683	1	Kit-Overhaul Seal

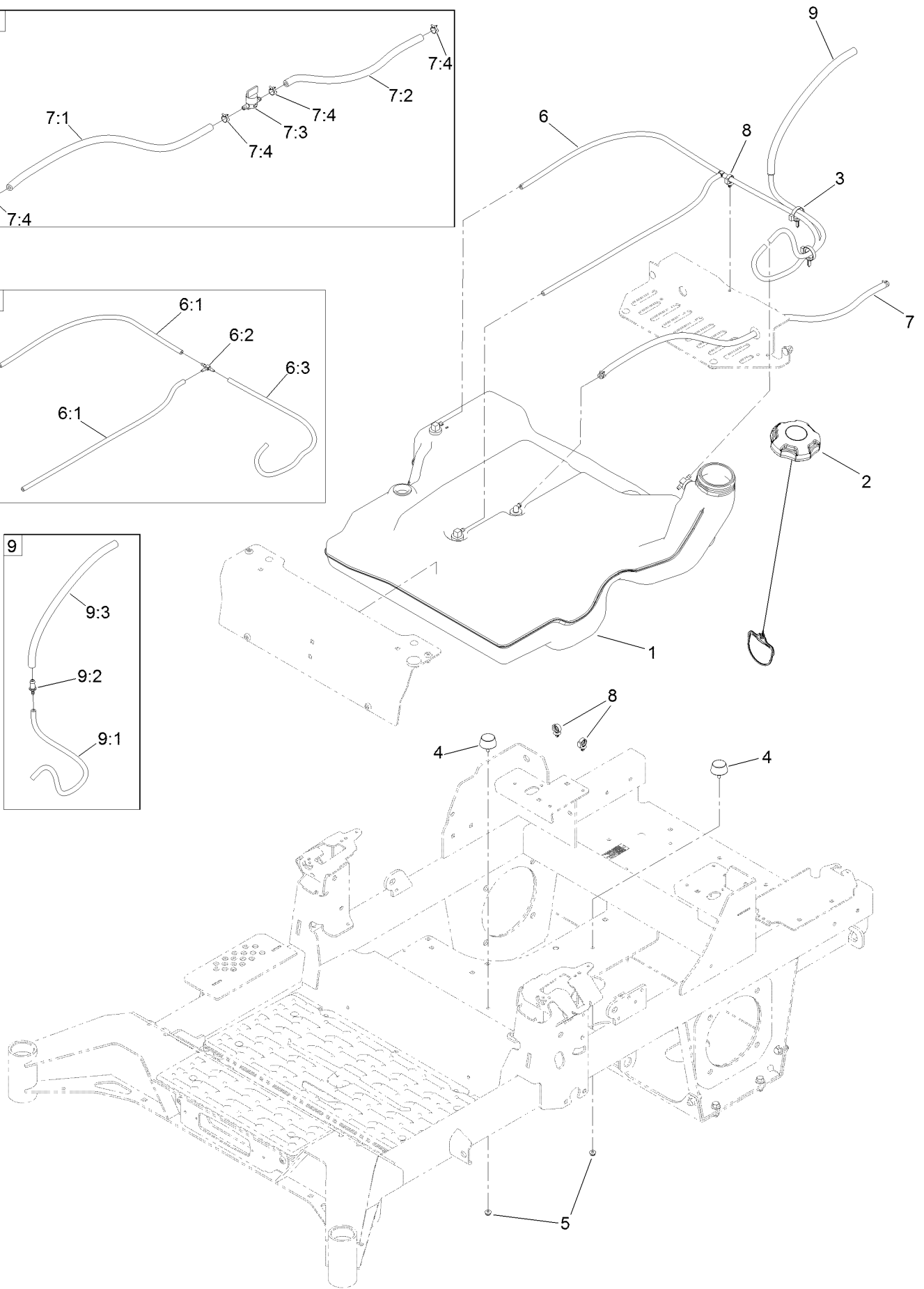
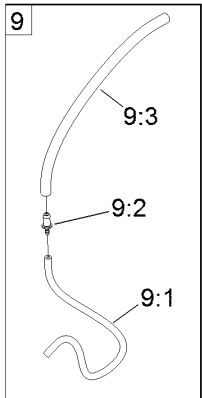
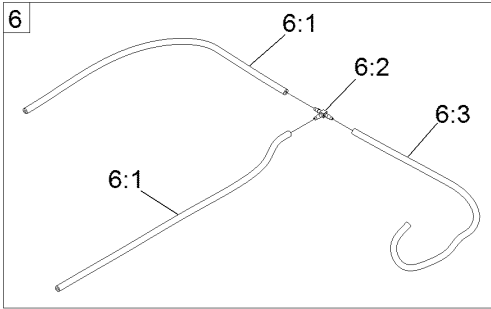
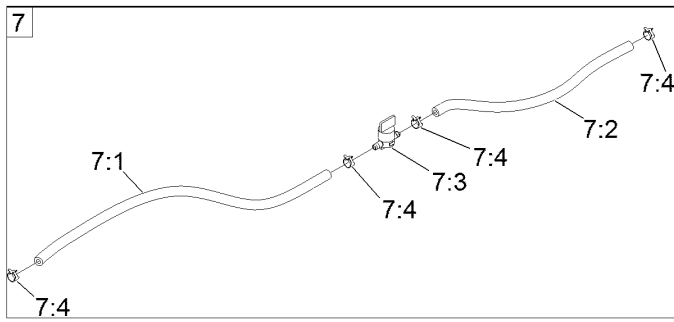
Throttle, Choke Cables and Guard Assembly



Throttle, Choke Cables and Guard Assembly (continued)

<i>Ref.</i>	<i>Part Number</i>	<i>Qty.</i>	<i>Description</i>	<i>Ref.</i>	<i>Part Number</i>	<i>Qty.</i>	<i>Description</i>
1	139-6719-03	1	Guard-Muffler [black]	43	144-2647	1	Cable-Choke Control
2	144-2637	1	Rear Guard ASM	44	110-5727	1	Throttle Control ASM
3	144-6551-01	1	Console-RH	44:1	112-2334	1	Lever-Throttle
4	144-2638-01	1	Console-LH	44:2	110-5728	1	Cable-Throttle
6	140-4867	1	RH Cover ASM	45	1-603175	1	Knob-Ball
6:2	99-8936	1	Decal-Control, Motion	46	105-8278	1	Decal
7	140-4866	1	LH Cover ASM	48	87-6620	4	Screw-Tph Thd Form
7:2	99-8936	1	Decal-Control, Motion	49	126-9939	1	Decal-Fill, Fuel
11	1-807513	2	Bolt-CARR	50	140-7987	1	Decal-4000 Series, RH
12	3296-2	2	Nut-Lock, NI	51	140-7979	1	Side Pod, LH
24	3230-22	2	Screw-CARR	52	140-7980	1	Side Pod, RH
25	104-8300	16	Nut-HF, NI	53	140-7968	1	Cup Holder
27	126-6267	4	Screw-TTH	54	3230-18	4	Screw-CARR
30	126-6268	6	Screw-Torx	55	140-7996-03	1	Plate-Cover, LH Front
31	3220-3	1	Nut-HJ	58	140-7998-03	1	Plate-Cover, RH Front
32	139-1149	1	Decal - 4000 Series, LH	60	132-5064	4	Rivet-Pop
37	140-7952-01	1	Guard-Rear, LH	61	120-7950	8	Screw-Torx
38	140-1221-01	1	Guard-Rear, Top	62	140-8019	1	Cupholder-RH
39	140-4865	1	RH Rear Guard ASM	65	110-0824	1	R-Clamp
39:3	133-8062	1	Decal-Arrestor, Spark	66	144-2642	2	Rod-Support, Pod
41	138-9753	6	Screw	67	3296-59	4	Nut-Lock, NI

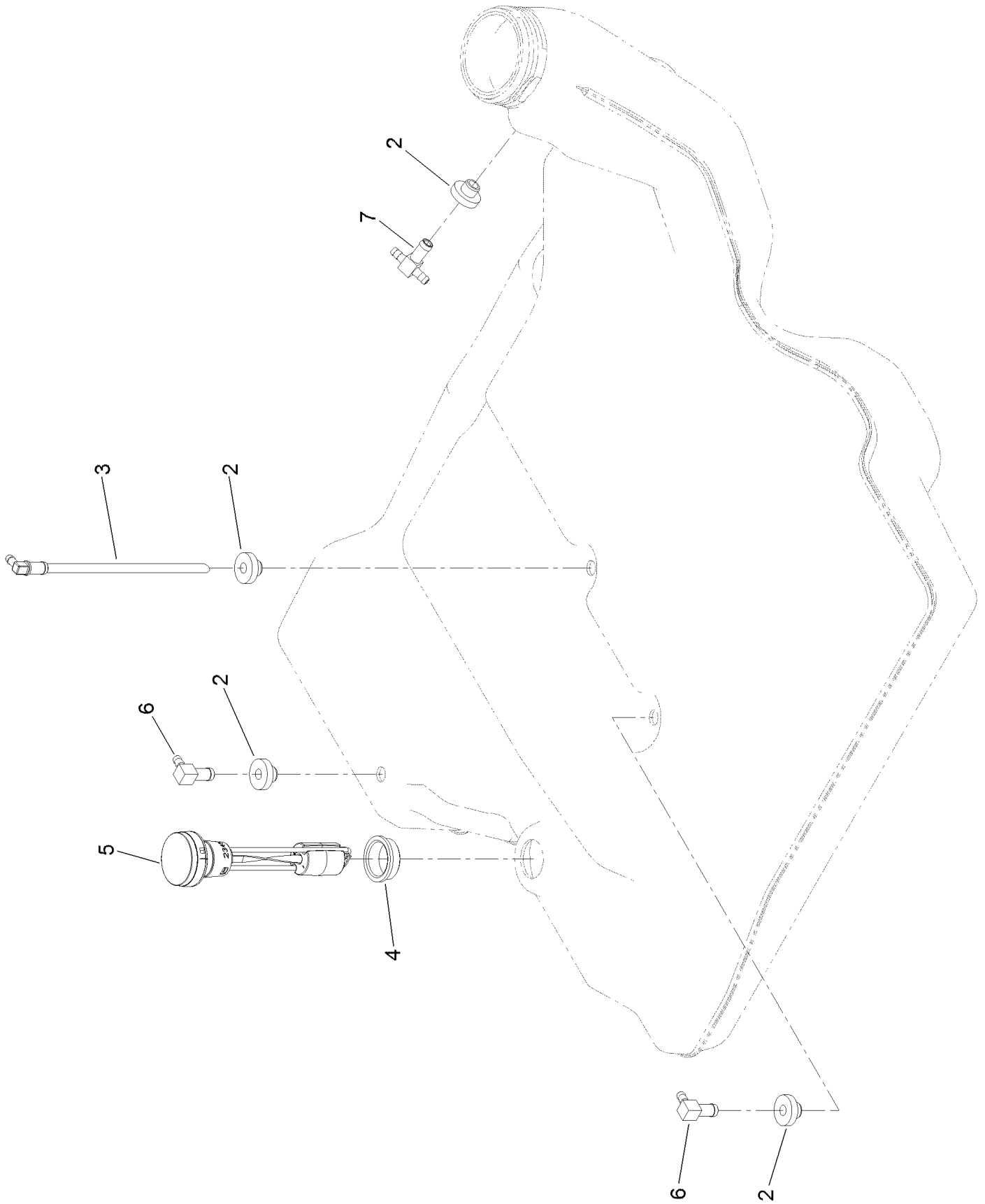
Fuel System Assembly



Fuel System Assembly (continued)

<i>Ref.</i>	<i>Part Number</i>	<i>Qty.</i>	<i>Description</i>	<i>Ref.</i>	<i>Part Number</i>	<i>Qty.</i>	<i>Description</i>
1	139-6722	1	Fuel Tank ASM	7:1	109-0298	1	Line-Fuel
2	135-4801	1	Cap-Fuel, Ratcheting	7:2	114-3766	1	Hose-Fuel
3	104-2490	2	Clamp-Hose	7:3	1-603770	1	Valve-Fuel
4	131-8834	2	Bumper	7:4	2412-98	4	Clamp-Hose
5	104-7201	2	Nut-HF, NI	8	126-5523	3	Clip
6	139-8067	1	Vent Hose ASM	9	140-4957	1	ASM-Fuel Vent
6:1	138-3152	2	Hose-Vent	9:1	138-3152	1	Hose-Vent
6:2	120-2234	1	Fitting-Tee	9:2	116-4630	1	Fitting-Orifice, Straight
6:3	140-4956	1	Hose-Fuel	9:3	116-4344	1	Hose-Fuel
7	139-8068	1	Fuel Hose ASM				

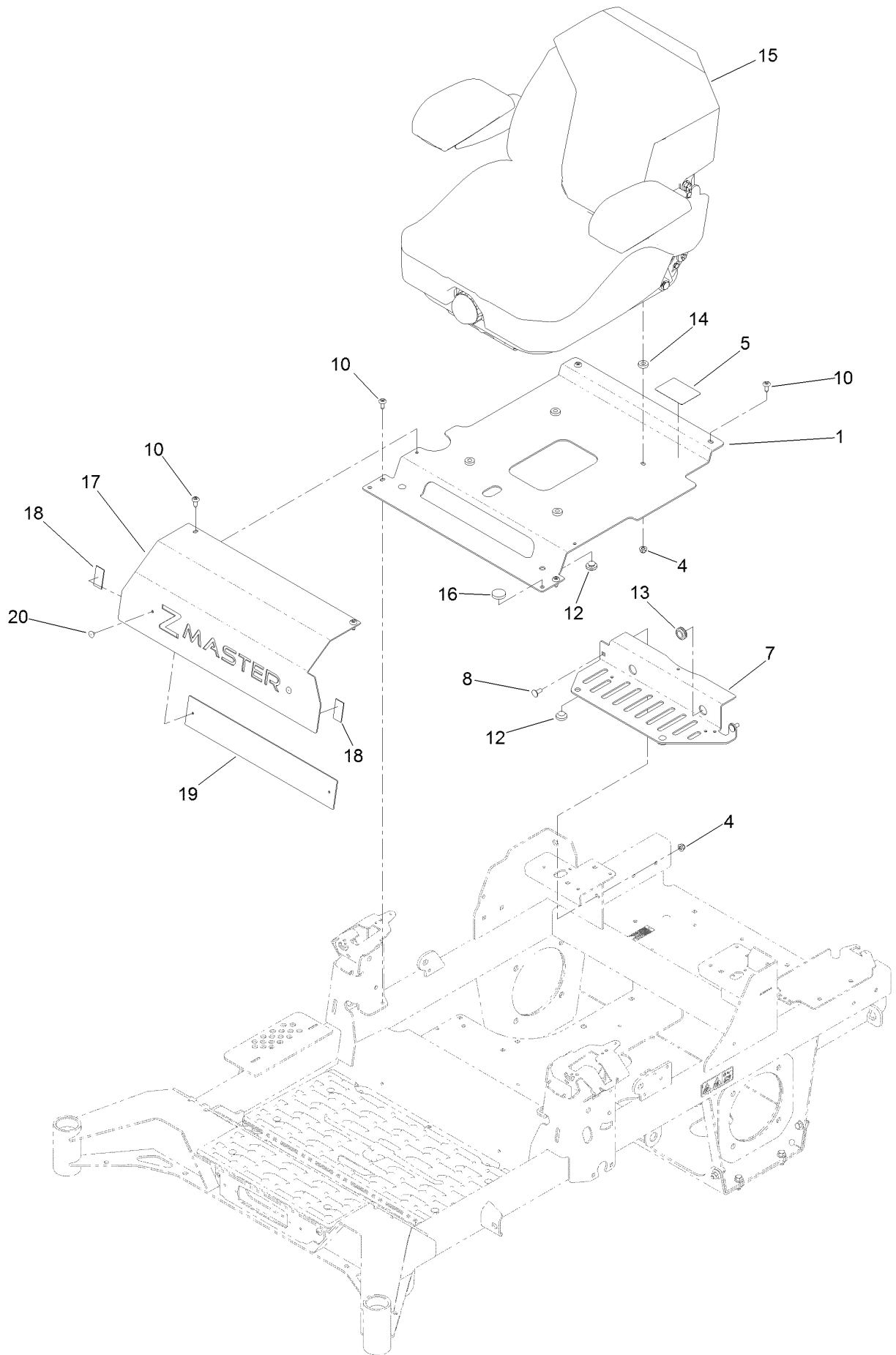
Fuel Tank Assembly No. 139-6722



Fuel Tank Assembly No. 139-6722 (continued)

<i>Ref.</i>	<i>Part Number</i>	<i>Qty.</i>	<i>Description</i>	<i>Ref.</i>	<i>Part Number</i>	<i>Qty.</i>	<i>Description</i>
2	46-6560	4	Bushing	5	139-8058	1	Gauge-Fuel
3	140-4955	1	Connector Elbow-90 DEG	6	126-9057	2	Fitting-90 DEG
4	133-9269	1	Grommet-Fuel	7	140-4954	1	Fitting-Tee

Seat Mount Assembly



Seat Mount Assembly (continued)

<i>Ref.</i>	<i>Part Number</i>	<i>Qty.</i>	<i>Description</i>	<i>Ref.</i>	<i>Part Number</i>	<i>Qty.</i>	<i>Description</i>
1	140-1165-03	1	Pan-Seat [black]	14	5-0652	4	Spacer
4	104-8300	6	Nut-HF, NI	15	144-2632	1	Seat ASM-Suspension
5	144-2669	1	Decal-Service Aid	16	109-9233	1	Bumper-Push-In, Rubber
7	139-6707-03	1	Plate-Tank Retainer, Rear	17	140-1207-03	1	Plate-Tank Retainer, Front
8	3230-23	2	Bolt-CARR	18	130-0733	2	Pad-Rubber
10	138-9753	6	Screw	19	140-4910-01	1	Plate-Backer
12	135-0505	4	Bumper-Seat	20	132-5064	2	Rivet-Pop
13	112-7069	1	Grommet				

Seat Assembly No. 144-2632



Seat Assembly No. 144-2632 (continued)

<i>Ref.</i>	<i>Part Number</i>	<i>Qty.</i>	<i>Description</i>	<i>Ref.</i>	<i>Part Number</i>	<i>Qty.</i>	<i>Description</i>
1	140-8012	1	Set, Seat Track	6	126-8560	1	Kit-Seat Belt
2	116-8911	1	Knob-Adjuster	7	145-3643	1	Cover-Back, Seat
3	126-8559	1	Bellows-Seat	8	145-3659	1	Cover-Bottom, Seat
4	145-3641	1	Armrest Kit	9	82-2190	1	Switch-Bail
5	145-3642	1	Pads-Armrest				

Motion Control Assembly (continued)

<i>Ref.</i>	<i>Part Number</i>	<i>Qty.</i>	<i>Description</i>	<i>Ref.</i>	<i>Part Number</i>	<i>Qty.</i>	<i>Description</i>
1	139-6697	1	Motion Control ASM-RH	22	3234-29	1	Screw-HHF
2	139-1089	1	Handle ASM - RH	23	116-2670	2	Screw-Shoulder
2:2	109-5668	1	Grip-Lever, Control	24	144-6566	1	Brake Link ASM
3	3234-42	4	Screw-HHF	24:1	144-6565	1	Plate-Link, Handle
4	139-6696	1	Motion Control ASM-LH	24:2	116-4976	2	Bushing-Sleeve
5	115-5099	2	Bolt-Pivot	25	139-6745	1	Plate-Switch
6	139-1090	1	Handle ASM - LH	26	32144-70	2	Screw-HWHTF
6:2	109-5668	1	Grip-Lever, Control	27	3230-23	2	Bolt-CARR
7	104-8301	2	Nut-HF, NI	28	144-0352	1	RH Brake Rod ASM
8	126-4322	2	Damper	28:1	140-4950	1	Rod-Brake, RH
9	126-4424	4	Screw-Shoulder	28:2	139-6741	1	Fitting-Rod
10	112-3306	2	Nut	28:3	3256-3	1	Washer-Flat
11	126-4299	2	Screw-HSBH	28:4	144-2645	1	Spring-Compression
12	37-8771	2	Bolt-Shoulder, HF	28:5	104-8301	1	Nut-HF, NI
13	104-8300	6	Nut-HF, NI	29	3256-45	2	Washer-Flat
14	115-9625	1	Decal-Brake, Parking	30	119-1415	4	Pin-Cotter, Locking
15	3218-3	2	Nut-Jam	32	109-7124	2	Spring-Extension
17	144-2658	1	Brake ASM	34	144-0351	1	LH Brake Rod ASM
18	126-5820	2	Bearing-Spherical	34:1	140-4951	1	Rod-Brake, LH
19	139-6742	1	Bracket-Brake	34:2	139-6741	1	Fitting-Rod
20	139-6726	1	Brake Lever ASM W/Grip	34:3	3256-3	1	Washer-Flat
20:2	109-8054	2	Bushing-Flange	34:4	144-2645	1	Spring-Compression
20:3	132-4749	1	Grip-Lever	34:5	104-8301	1	Nut-HF, NI
21	139-6743	1	Pivot-Handle				

Left and Right Control Arm Assembly



Left and Right Control Arm Assembly (continued)

<i>Ref.</i>	<i>Part Number</i>	<i>Qty.</i>	<i>Description</i>	<i>Ref.</i>	<i>Part Number</i>	<i>Qty.</i>	<i>Description</i>
1	126-3773	1	Control Arm ASM	6	117-1198	1	Bolt-Pivot
1:2	126-8909	2	Bushing	7	3256-24	1	Washer-Flat
1:3	1-413152	2	Bushing-Sleeve	8	32152-2	1	Nut-Lock, Cone
2	126-7296	1	Washer-Friction	9	126-5434	1	Swivel
3	126-8182	1	Arm-Control	10	140-4949	1	Link-Control
4	117-1240	1	Washer	11	126-8195	1	Spring-Return, Neutral
5	119-8925	1	Washer-Belleville	12	104-8300	2	Nut-HF, NI

Caster Wheel Assembly

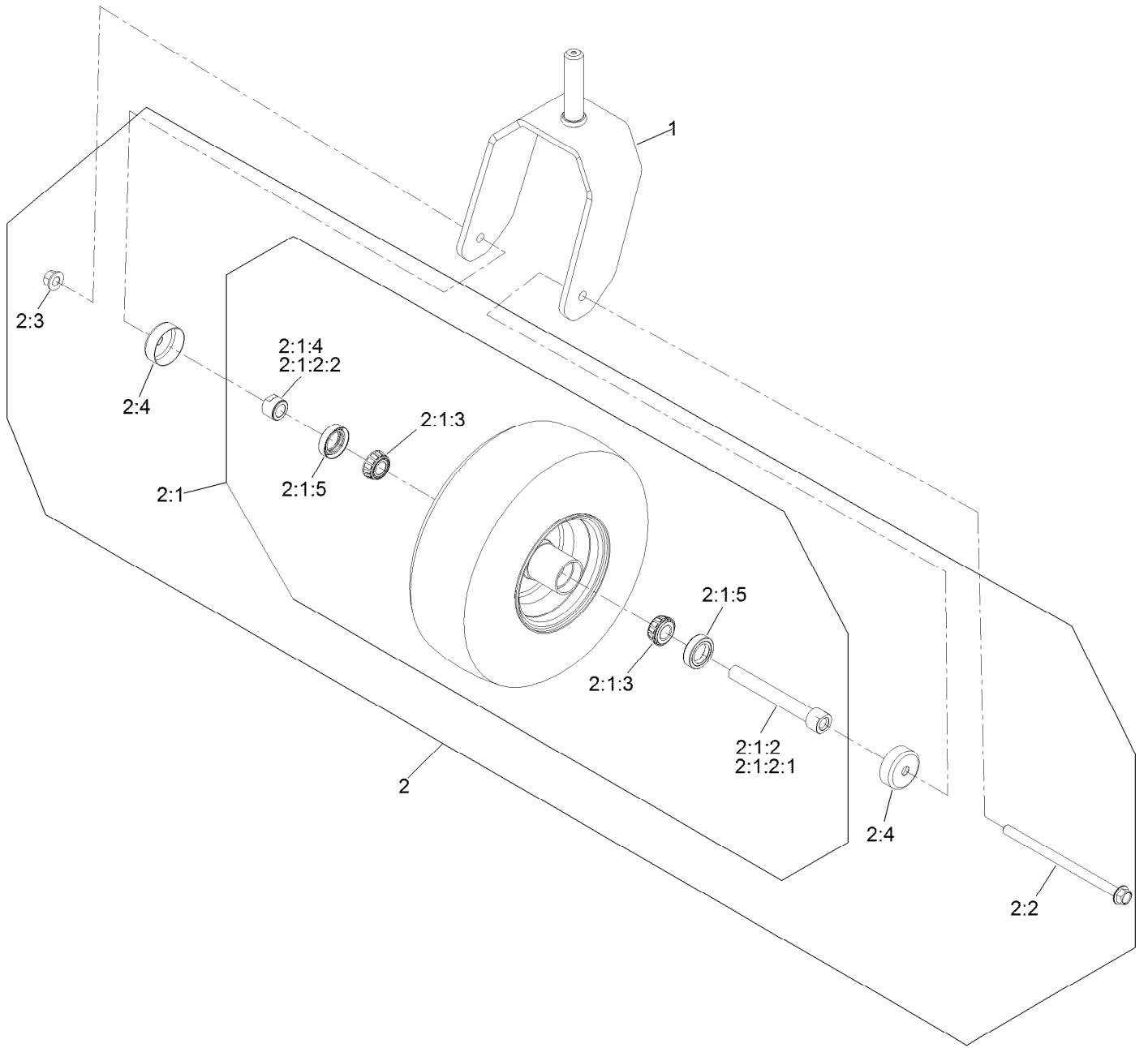


Caster Wheel Assembly (continued)

<i>Ref.</i>	<i>Part Number</i>	<i>Qty.</i>	<i>Description</i>	<i>Ref.</i>	<i>Part Number</i>	<i>Qty.</i>	<i>Description</i>
1		2	ASM-Front Caster W/Fork ●	4	3256-68	2	Washer-Flat
2	109-3678	4	Bearing-Ball	5	3234-5	2	Screw-HHF
3	145-3660	2	Spacer-Bearing	6	144-0375	2	Cap, Grease

● Not serviced separately

Caster and Wheel Assembly

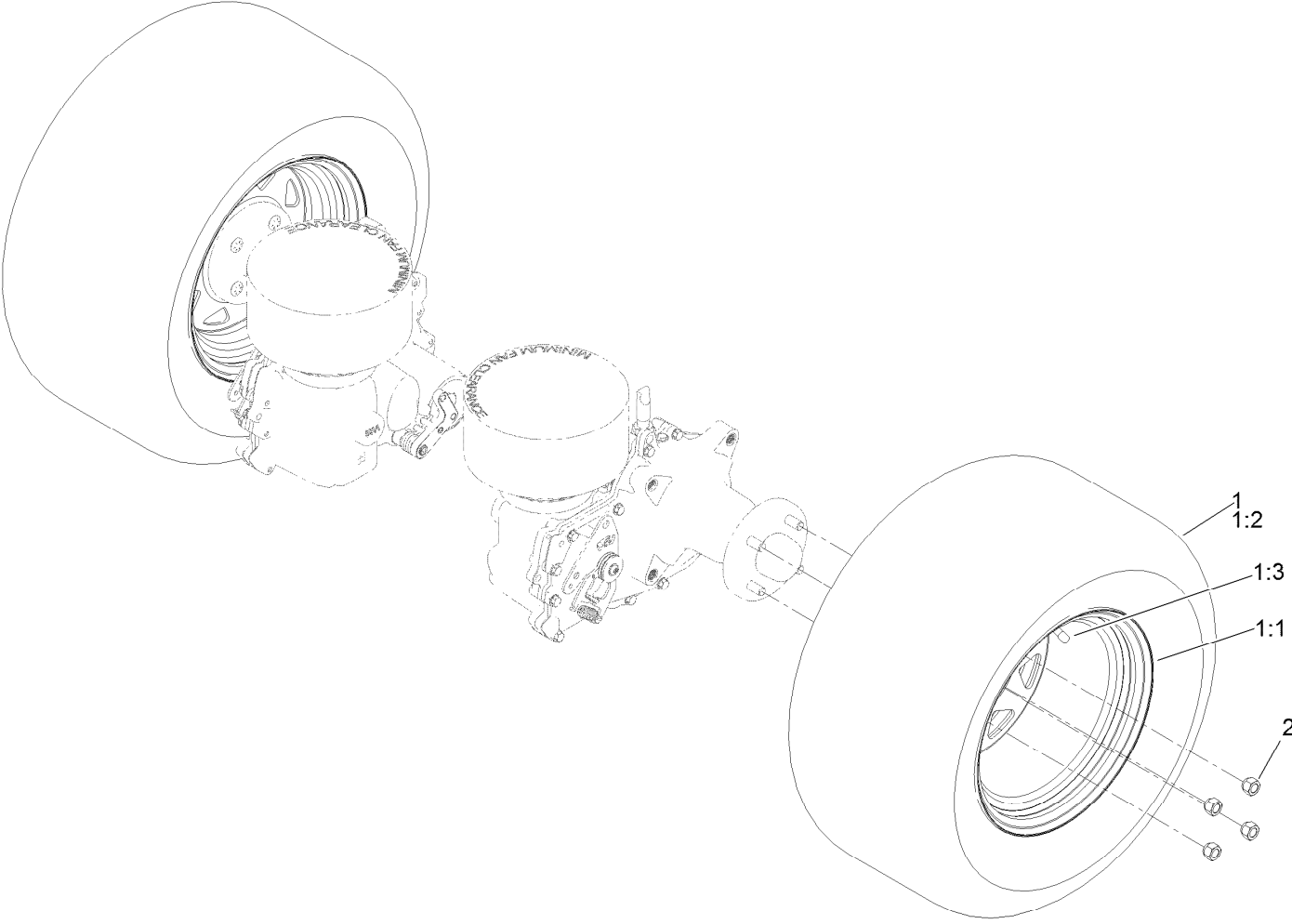


Caster and Wheel Assembly (continued)

<i>Ref.</i>	<i>Part Number</i>	<i>Qty.</i>	<i>Description</i>	<i>Ref.</i>	<i>Part Number</i>	<i>Qty.</i>	<i>Description</i>
1	126-4312-01	1	Fork-Caster	2:1:3	1-633585	2	Bearing-Cone, Taper
2	140-4896	1	ASM-Semi Pneumatic 13X6.50-6	2:1:4	103-3051	1	Spacer-Nut
2:1		1	ASM Whl/Brgs 13X6.50-6 ●	2:1:5	103-0063	2	Seal-Caster
2:1:2	126-7796	1	Caster Axle ASM	2:2	126-5389	1	Screw-HHF
2:1:2:1	126-5220	1	Axle-Caster	2:3	99-5107	1	Nut-Lock
2:1:2:2	103-3051	1	Spacer-Nut	2:4	103-2768	2	Guard-Seal

● Not serviced separately

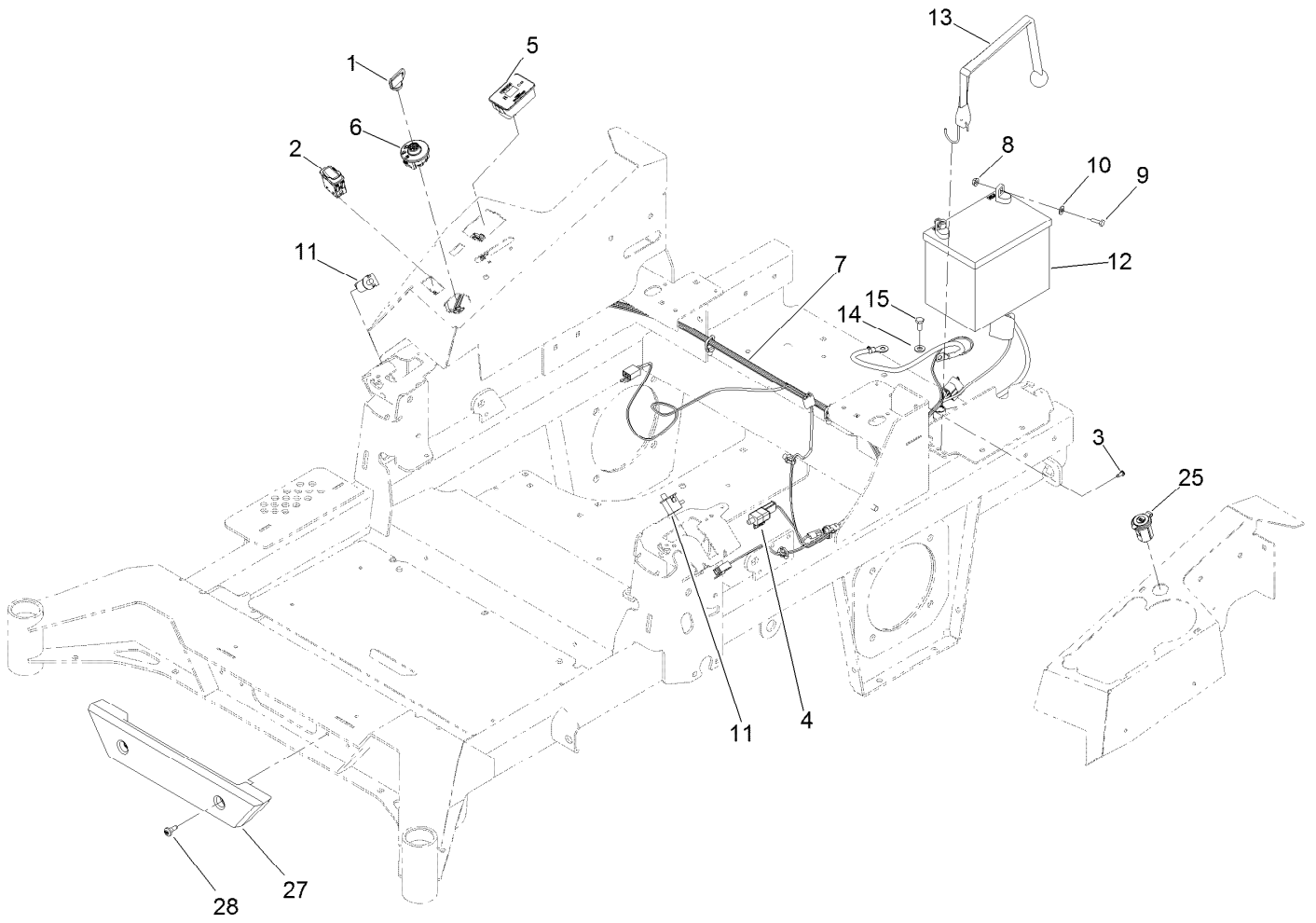
Rear Wheel Assembly



Rear Wheel Assembly (continued)

<i>Ref.</i>	<i>Part Number</i>	<i>Qty.</i>	<i>Description</i>	<i>Ref.</i>	<i>Part Number</i>	<i>Qty.</i>	<i>Description</i>
1	144-6607	2	Wheel And Tire ASM	1:3	232-27	1	Stem-Valve
1:1	144-6606	1	Wheel	2	242-50	2	Nut-Lug
1:2	140-7975	1	Tire				

Electrical Assembly



Electrical Assembly (continued)

<i>Ref.</i>	<i>Part Number</i>	<i>Qty.</i>	<i>Description</i>	<i>Ref.</i>	<i>Part Number</i>	<i>Qty.</i>	<i>Description</i>
1	1-603511	1	Keys-Ignition (Spare Pair)	9	321-4	2	Screw-HH
1	63-8360	1	Key-Ignition	10	3256-22	2	Washer-Flat
2	139-6368	1	Switch-Rocker, On-None-On	11	82-2190	2	Switch-Bail
3	99-8445	1	Screw-HWH	12	104-8162	1	Battery
4	110-6765	1	Switch	13	126-7627	1	Strap-Bungee
5	116-5609	1	Module ASM	14	33094-00	1	Washer-Plain
6	137-4100	1	Switch-Ignition	15	33114-020	1	Screw-HH
7	139-8078	1	Harness-Wire	25	140-7955	1	Port-Power, USB
8	32128-33	2	Nut-HF	27	140-4996	1	Bumper-Front
				28	135-2015	2	Screw-Shoulder

Wire Harness Assembly No. 139-8078



Wire Harness Assembly No. 139-8078 (continued)

<i>Ref.</i>	<i>Part Number</i>	<i>Qty.</i>	<i>Description</i>	<i>Ref.</i>	<i>Part Number</i>	<i>Qty.</i>	<i>Description</i>
11	116-0053	3	Cap-Plug	16	32180-176	1	Cover-Block, Fuse
12	103-3895	1	Diode	17	32180-177	1	Clip-Mounting
13	121-8867	1	Fuse-Mini Blade, 15 Amp	18	126-8876	1	Insulator-Battery
14	121-8868	1	Fuse-Mini Blade, 20 Amp	19	1-543393	1	Insulator-Solenoid
15	126-3991	1	Relay-Micro	24	121-8869	1	Fuse-Mini Blade, 25 Amp

Deck Lift Assembly



Deck Lift Assembly (continued)

<i>Ref.</i>	<i>Part Number</i>	<i>Qty.</i>	<i>Description</i>	<i>Ref.</i>	<i>Part Number</i>	<i>Qty.</i>	<i>Description</i>
1	115-5065	4	Bushing-Flange	14	1-373034	2	Washer
2	116-2887	4	Gusset-Lift, Deck	15	109-6658	2	Nut-Flange, NI
3	3230-22	8	Screw-CARR	16	3231-7	2	Screw-CARR
4	104-8300	8	Nut-HF, NI	20	140-1249	1	Plate-Transport Lock
5	139-8050-03	1	Deck Lift Shaft ASM, Frt [black	23	116-0886	1	Spring-Extension
6	140-4975-03	1	Deck Lift Shaft ASM [black]	24	92-7674	1	Bolt-Shoulder
7	126-4639-03	1	Link-Lift	25	126-5401	1	Pin-HOC
8	126-9181	2	Pin-Clevis	29	116-0780	1	Screw-Shoulder, HHF
9	138-8491	2	Clip-Pin	30	99-5107	1	Nut-Lock
12	126-8877	4	Deck Chain ASM	31	140-4959	1	Pedal-Foot Lift
12:1	1-633447	1	Chain-Lift, Deck	32	3234-42	1	Screw-HHF
12:2	130-0742	2	Bolt-Shoulder	42	132-4749	1	Grip-Lever
12:3	104-8301	2	Nut-HF, NI	51	139-6699	1	Decal-HOC
12:4	43-0940	2	Spacer	52	104-7658	1	Spacer
13	140-1179	1	ASM-Deck Strut W/ Bushings	53	9266934	1	Screw
				60	2844	1	Washer

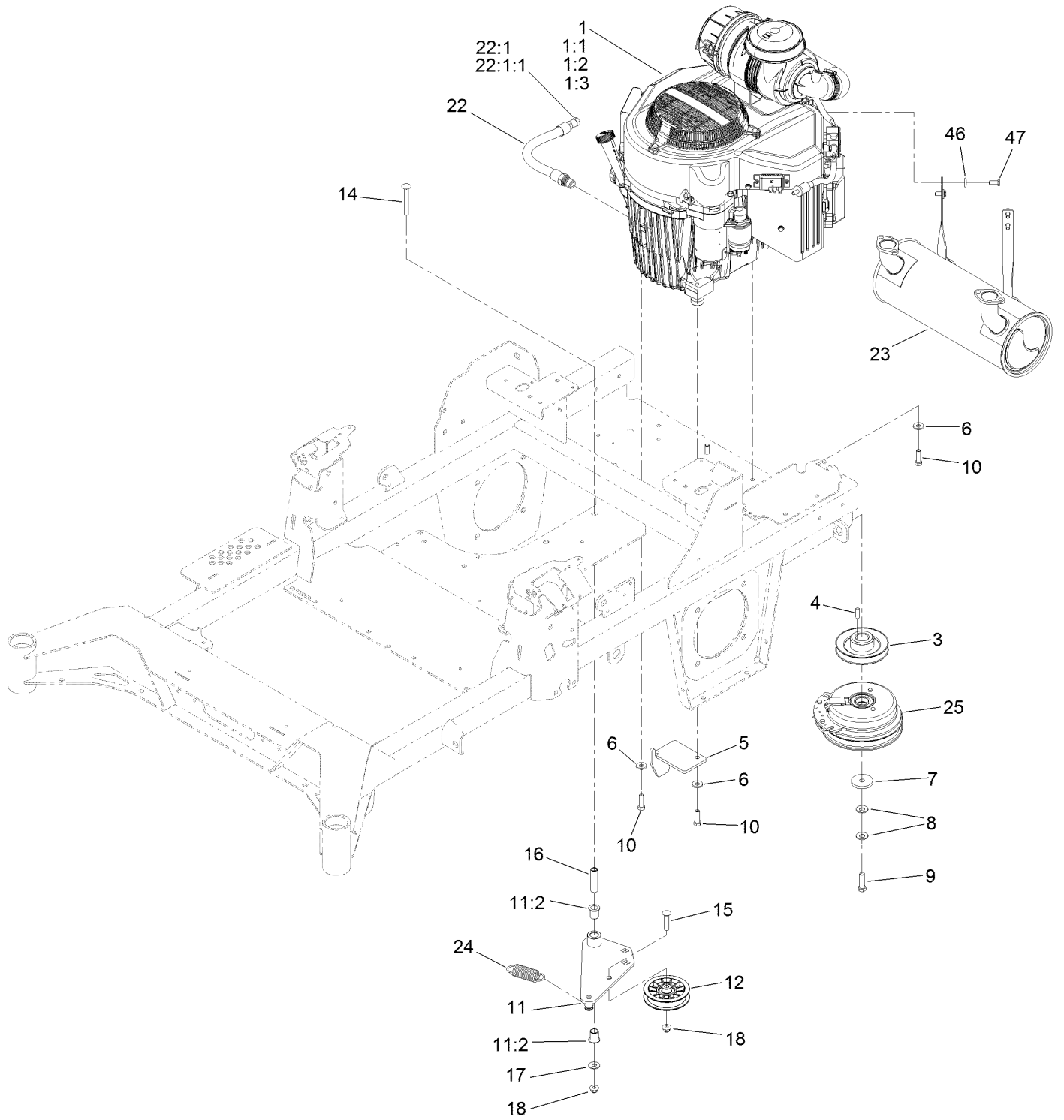
Deck Strut Assembly No. 140-1179



Deck Strut Assembly No. 140-1179 (continued)

<i>Ref.</i>	<i>Part Number</i>	<i>Qty.</i>	<i>Description</i>	<i>Ref.</i>	<i>Part Number</i>	<i>Qty.</i>	<i>Description</i>
2	126-8360	4	Bushing-Rubber, Suspension	4	3231-7	2	Screw-CARR
3	108-6544	4	Spacer	5	2844	2	Washer
				6	104-8301	2	Nut-HF, NI

Engine, Clutch and Muffler Assembly



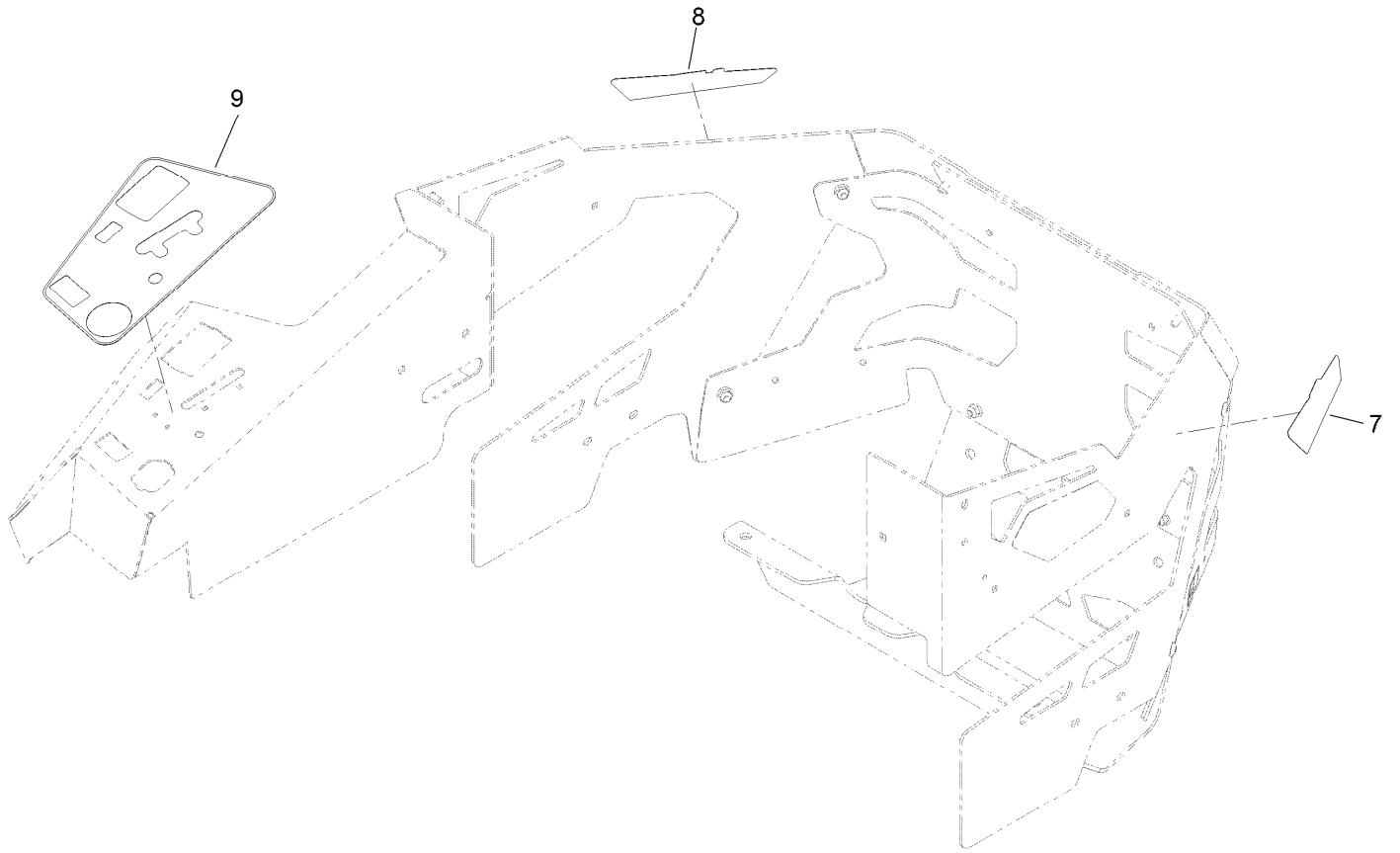
Engine, Clutch and Muffler Assembly (continued)

<i>Ref.</i>	<i>Part Number</i>	<i>Qty.</i>	<i>Description</i>	<i>Ref.</i>	<i>Part Number</i>	<i>Qty.</i>	<i>Description</i>
1	126-2131	1	Engine-Kawasaki, Fx921V-S04-R	11	144-2671	1	Idler Arm ASM
1:1		1	Kawasaki 49065-7007 Engine Oil Filter ■▲	11:2	138-2573	2	Bushing-Flange
1:2		1	Kawasaki 11013-7044 Engine Air Filter ■▲	12	116-2456	1	Pulley-Flat Idler
1:3		1	Kawasaki 11013-7045 Safety Filter ■▲	14	3231-42	1	Screw-CARR
3	139-6702	1	Sheave, W/Hub	15	3231-29	1	Screw-CARR
4	1-807259	1	Key	16	139-6690	1	Bushing, Idler Pivot
5	140-1190	1	Anchor-Clutch	17	3256-4	1	Washer-Flat
6	98-5975	4	Washer-Belleville	18	104-8301	2	Nut-HF, NI
7	109-6919	1	Washer-Clutch	22	116-4924	1	Engine Oil Drain Hose ASM
8	1-603610	2	Washer-Spring	22:1	353-508	1	Plug-HH ●
9	109-9761	1	Screw-HH	22:1:1	237-42	1	O-Ring
10	323-7	4	Screw-HH	23	140-8002	1	Muffler
				24	1-653331	1	Spring-Idler
				25	116-1604	1	Clutch
				46	1-303334	4	Washer-Spring
				47	33114-020	4	Screw-HH

● Torque to 24-26 ft-lb
▲ Obtain parts from www.kawpower.com

■ Not serviced separately

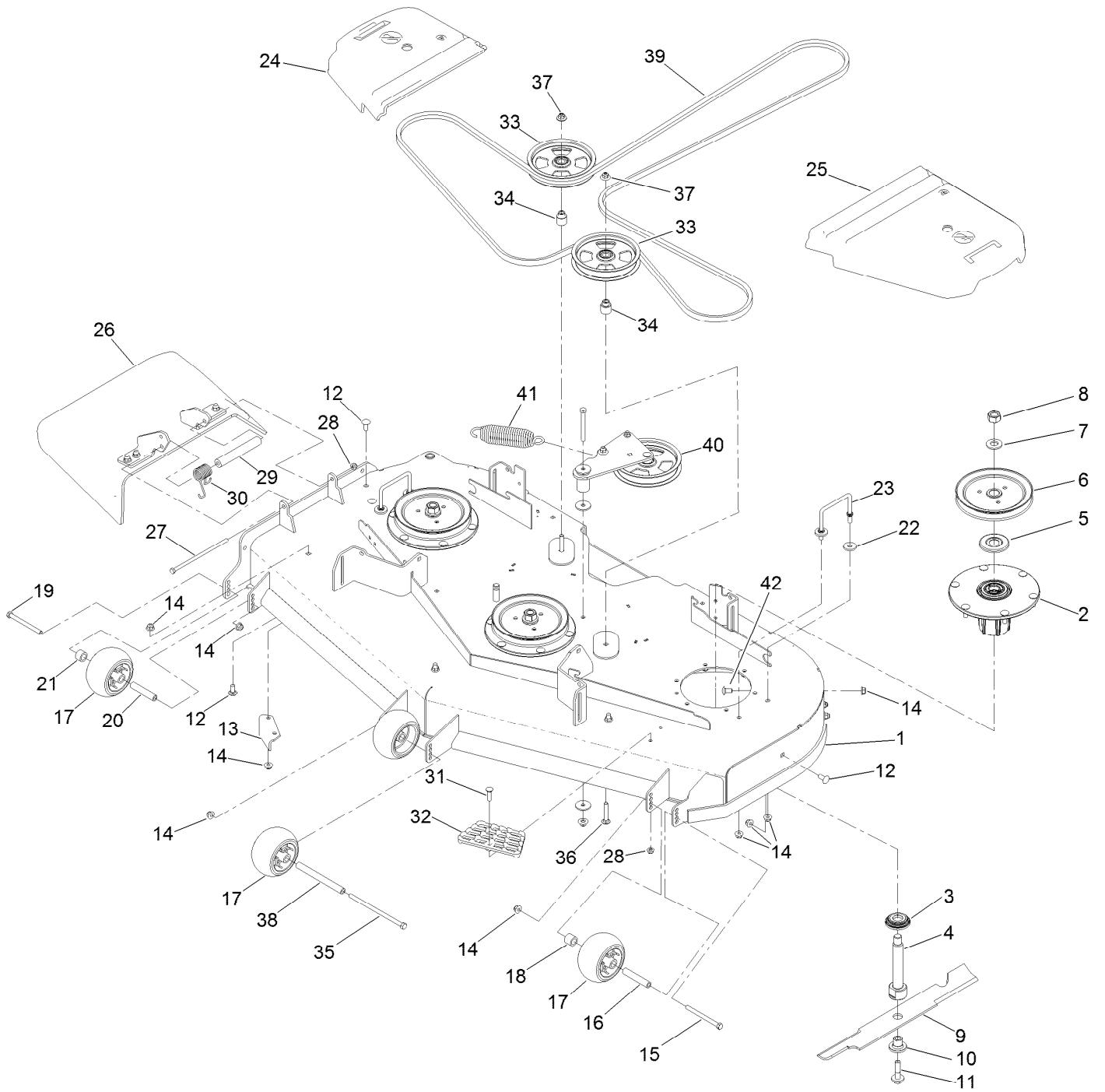
Decal Assembly



Decal Assembly (continued)

<i>Ref.</i>	<i>Part Number</i>	<i>Qty.</i>	<i>Description</i>
7	144-0444	1	Decal - HDX Pro
8	144-0445	1	Decal - HDX Pro
9	144-0405	1	Decal-Panel, Control

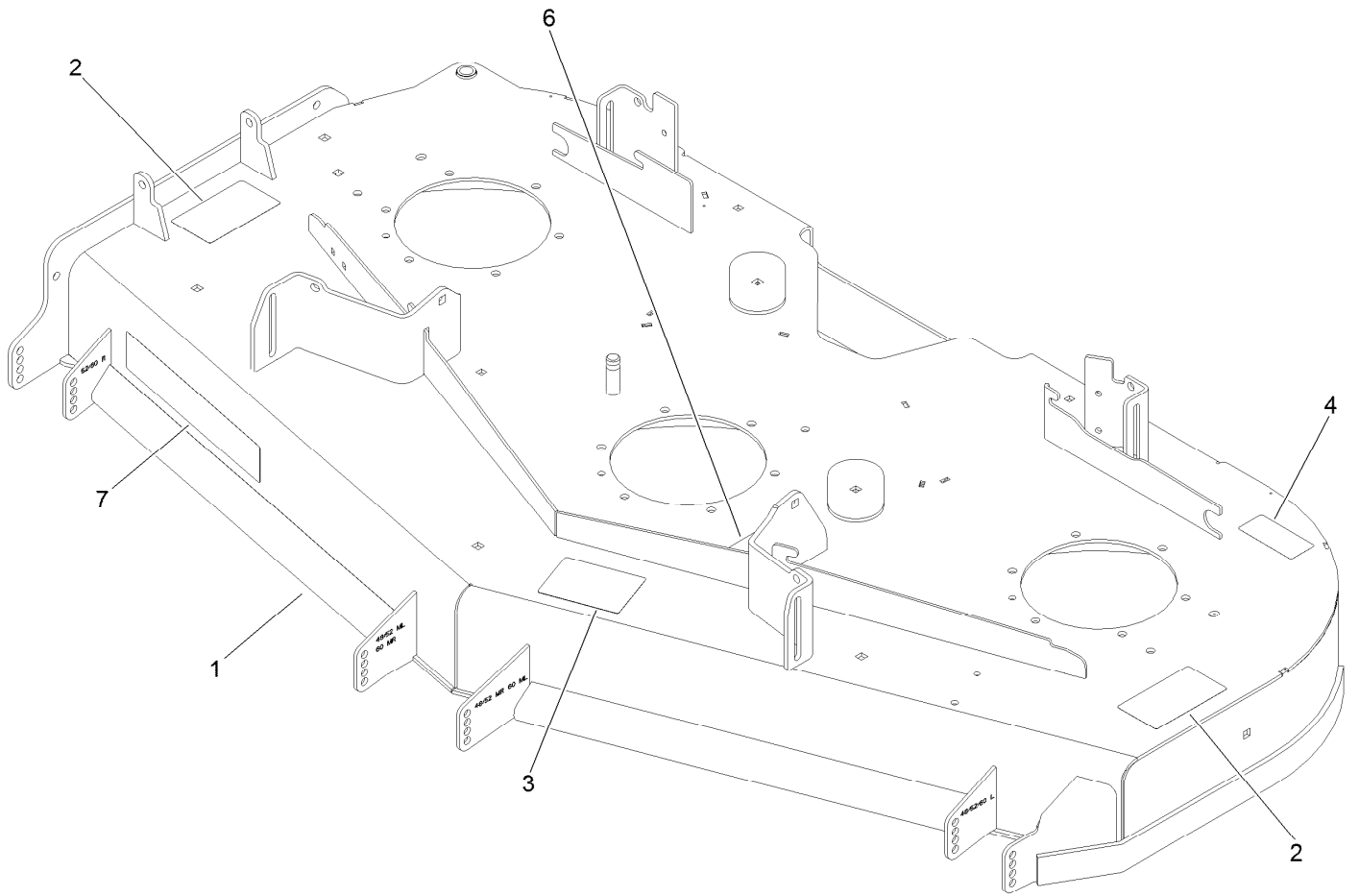
Deck Assembly



Deck Assembly (continued)

<i>Ref.</i>	<i>Part Number</i>	<i>Qty.</i>	<i>Description</i>	<i>Ref.</i>	<i>Part Number</i>	<i>Qty.</i>	<i>Description</i>
1	144-6588	1	Deck Decal ASM	22	1-373034	4	Washer
2	137-9780	3	Spindle ASM	23	109-6982	2	Wireform-Cover
3	137-9784	3	Guard-Bottom	24	116-0094	1	Cover-Belt, RH
4	138-6045	3	Shaft-Spindle	25	109-6938	1	Cover-Belt, LH
5	103-1330	3	Guard-Bearing, Top	26	144-2635	1	Rubber Deflector ASM
6	138-6059	3	Sheave-Drive, Blade	27	322-50	1	Screw-HH
7	103-2802	3	Washer	28	104-8300	2	Nut-HF, NI
8	116-7306	3	Nut-Hex	29	105-4622	1	Spacer
9	140-1240	3	Blade	30	108-4052	1	Spring-Torsion
10	137-9787	3	Bushing-Hex	31	3230-3	1	Screw-CARR
11	109-9220	3	Screw-Sems	32	126-4781-03	1	Step-Deck
12	3231-27	6	Screw-CARR	33	132-9424	2	Pulley-Idler, Flat
13	107-8541-01	1	Baffle-Discharge	34	139-8061	2	Bushing, Idler
14	104-8301	34	Nut-HF, NI	35	108-5388	1	Screw-HH
15	323-23	1	Screw-HH	36	3231-7	2	Screw-CARR
16	98-7912	1	Tube-Spanner	37	109-6658	2	Nut-Flange, NI
17	1-603299	4	Roller-Scalp, Anti	38	98-5967	1	Spacer-Wheel
18	98-7913	1	Tube-Spacer	39	144-0357	1	Belt-V
19	323-17	1	Screw-HH	40	139-1087	1	Idler Arm ASM
20	133-2129	1	Tube-Shafting	41	116-6317	1	Spring-Extension
21	133-2128	1	Tube-Spacer	42	3231-21	3	Screw-CARR

Deck Decal Assembly No. 144-6588



Deck Decal Assembly No. 144-6588 (continued)

<i>Ref.</i>	<i>Part Number</i>	<i>Qty.</i>	<i>Description</i>	<i>Ref.</i>	<i>Part Number</i>	<i>Qty.</i>	<i>Description</i>
1		1	Deck ASM W/Decals 60 ●	4	116-8283	1	Decal-Torque, Bolt
2	117-3848	2	Decal-Danger	6	109-6035	1	Decal-Routing, Belt
3	127-0326	1	Decal-Scalp, Anti	7	107-1619	1	Decal

● Not serviced separately

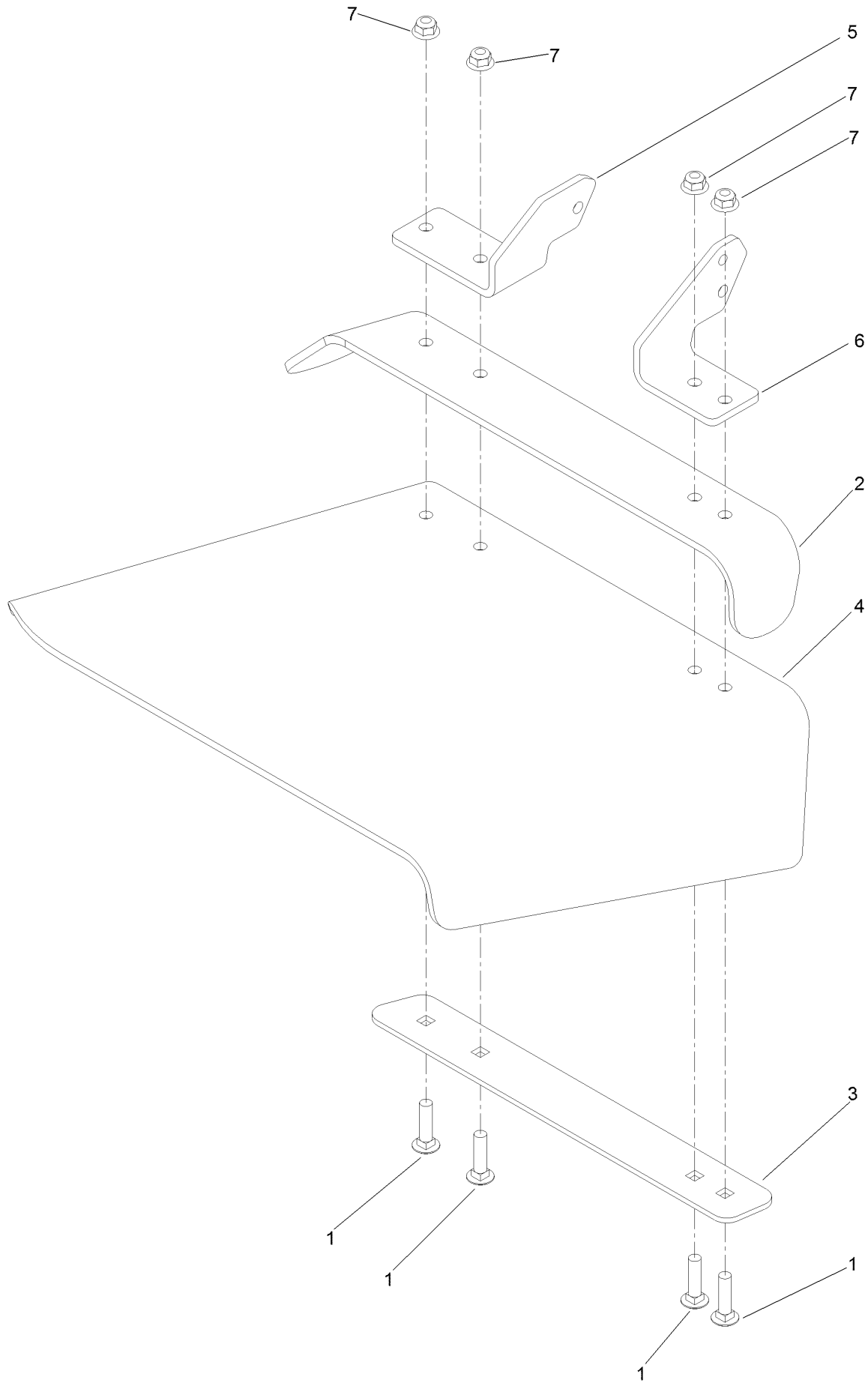
Spindle Assembly No. 137-9780



Spindle Assembly No. 137-9780 (continued)

<i>Ref.</i>	<i>Part Number</i>	<i>Qty.</i>	<i>Description</i>
2	116-0720	2	Bearing-Ball
3	138-6042	1	Spacer-Bearing

Deflector Assembly No. 144-2635



Deflector Assembly No. 144-2635 (continued)

<i>Ref.</i>	<i>Part Number</i>	<i>Qty.</i>	<i>Description</i>	<i>Ref.</i>	<i>Part Number</i>	<i>Qty.</i>	<i>Description</i>
1	3231-4	4	Screw-CARR	5	108-4059-01	1	Plate-Hinge, Rear
2	106-3246-01	1	Deflector	6	106-3253-01	1	Plate-Hinge, Front
3	106-3248-03	1	Strap-Discharge	7	104-8301	4	Nut-HF, NI
4	139-8114	1	Deflector-Deck, Rubber				

Idler Arm Assembly No. 139-1087



Idler Arm Assembly No. 139-1087 (continued)

<i>Ref.</i>	<i>Part Number</i>	<i>Qty.</i>	<i>Description</i>	<i>Ref.</i>	<i>Part Number</i>	<i>Qty.</i>	<i>Description</i>
1	139-1086	1	Idler Arm ASM	7	109-6658	3	Nut-Flange, NI
2	138-2573	2	Bushing-Flange	8	323-15	1	Screw-HH
3	139-8060	1	Bushing, Idler	9	3231-5	1	Screw-CARR
4	132-9424	1	Pulley-Idler, Flat	10	132-4729	1	Anchor-Spring, Short
5	139-6690	1	Bushing, Idler Pivot	11	136-9028	1	Bolt-Shoulder, HWH
6	1-213069	3	Washer	12	104-8301	1	Nut-HF, NI

Attachments and Accessories

For 74015 60in Z Master 4000 Series Riding Mower

Product Name	Model/Part
Hypr-Oil 500 (quart)	114-4713
Hypr-Oil 500 (gallon).....	114-4714
Hypr-Oil 500-5 (5 gallon).....	114-4715
Spark Arrestor	117-3281
Striper Kit.....	126-7882
Jack Kit.....	127-6666
Tweel-Turf.....	139-3649
Recycler Kit-G3/Grandstand/GM 3300 60	139-6655
Blade-20.5 High Flow	140-1240
Blade-20.50 Atomic	140-1241
Blade-20.50 Medium Flow	140-4853
Blade-20.50, Low Flow	140-4854
Blade-20.50 Recycler	140-4855
6 Pack-Blade, 20.5 High Flow.....	140-4877
6 Pack-Blade, 20.5 Med Flow	140-4878
6 Pack-Blade, 20.5 Low Flow	140-4879
6 Pack-Blade, 20.5 Atomic.....	140-4880
6 Pack-Blade, 20.5 Recycler.....	140-4881
Base Light Kit-4000 Series	144-0389
Electric Deck Lift Kit-4000.....	144-0390
Trimmer Mount	144-2665
Kit, Jack Mount	144-2676
60" Chute Gate Kit.....	144-6572
Handle Extension Kit	145-3615
Z 4000 Bagger Kit.....	78463
Z 4000 60in Completion Kit.....	78466

Notes:

Notes:

Notes:



Count on it.