



**Count on it.**

**Parts Catalog**

**Flex-Force Power System™ 60V  
MAX 21in Recycler®**

**Lawn Mower with SmartStow®**

Model No. 21326T—Serial No. 40000000 and Up



# Ordering Replacement Parts

To order replacement parts, please supply the part number, the quantity, and the description of each part desired.

## Understanding Reference Numbers

Each identified part in an illustration has a reference number. The reference number for a part also appears in the parts list, along with other information about the part.

This catalog uses two special reference number formats, one to indicate parts in a service assembly and another to indicate the quantity of a given part in an illustration.

## Service Assembly Reference Numbers

Parts in service assemblies have reference numbers in the form a:b. The a represents the reference number of the entire service assembly and the b represents a sequential number unique to each part within the service assembly.

For example, a wheel assembly might be identified by reference number 6, the tire by 6:1, the valve by 6:2, and the wheel by 6:3. When you order the assembly identified by reference number 6, you receive all parts identified by reference numbers 6:1, 6:2, and 6:3. However, you may also order any part individually. Reference numbers of this type appear in illustration and in parts lists.

## Reference Numbers Indicating Quantity

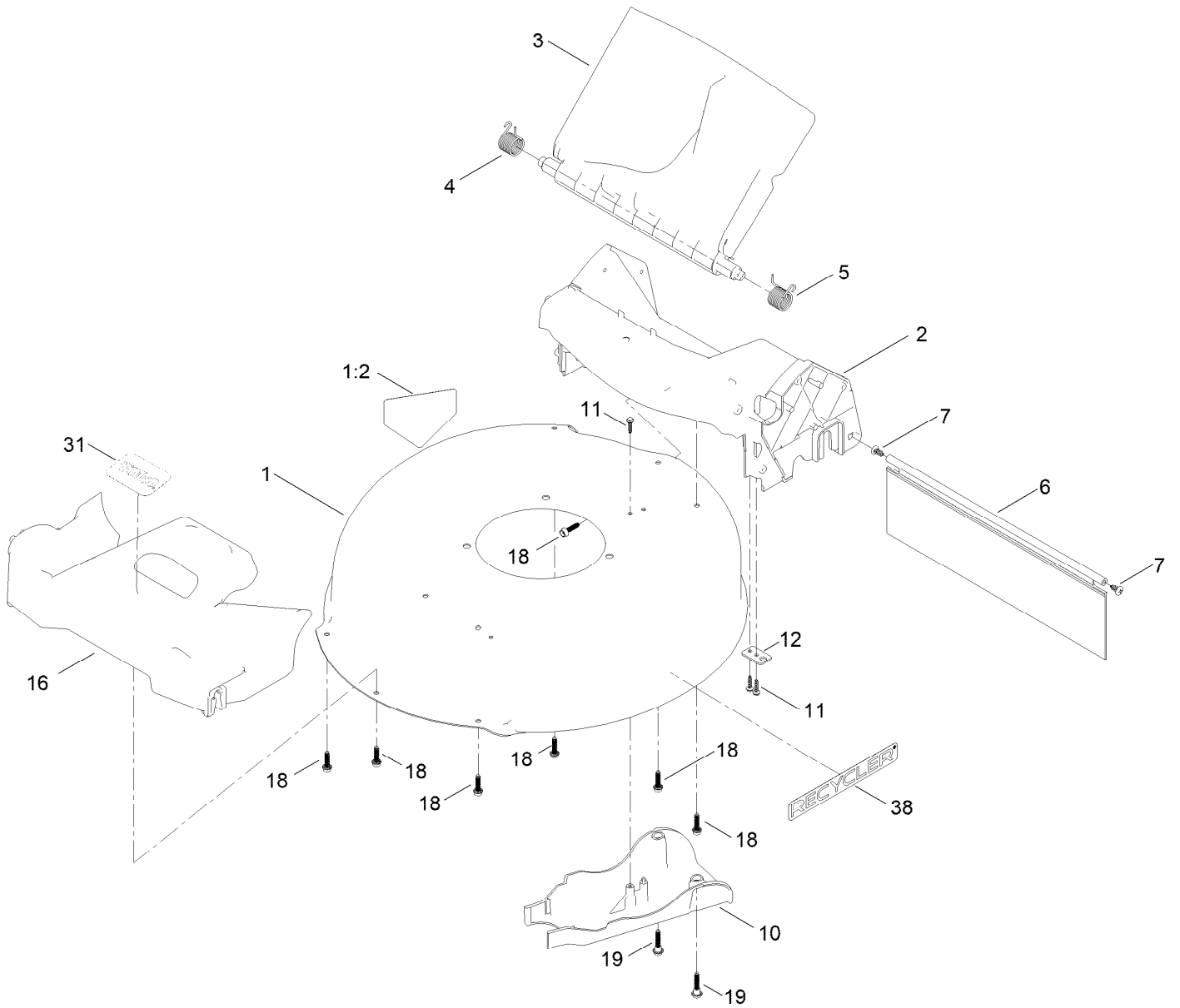
In an illustration, if a reference number indicates more than one part, the reference number has the form nX y. The n represents the quantity of the part, the X is the multiplication symbol, and the y represents the reference number.

For example, in an illustration, the reference number 2X 37 means that two of the parts identified by reference number 37 are indicated.

# Contents

Housing Assembly .....	4
Grass Bag and Frame Assembly .....	6
Motor Module and Blade Assembly .....	8
Motor Module Assembly No. 138-6660 Lower Shroud Assembly .....	10
Motor Module Assembly No. 138-6660 Hood and Upper Shroud Assembly .....	12
Front Wheel and Height-of-Cut Assembly .....	14
Rear Wheel and Height-of-Cut Assembly .....	16
Handle Assembly .....	18
Starter Assembly .....	20
Attachments and Accessories .....	22

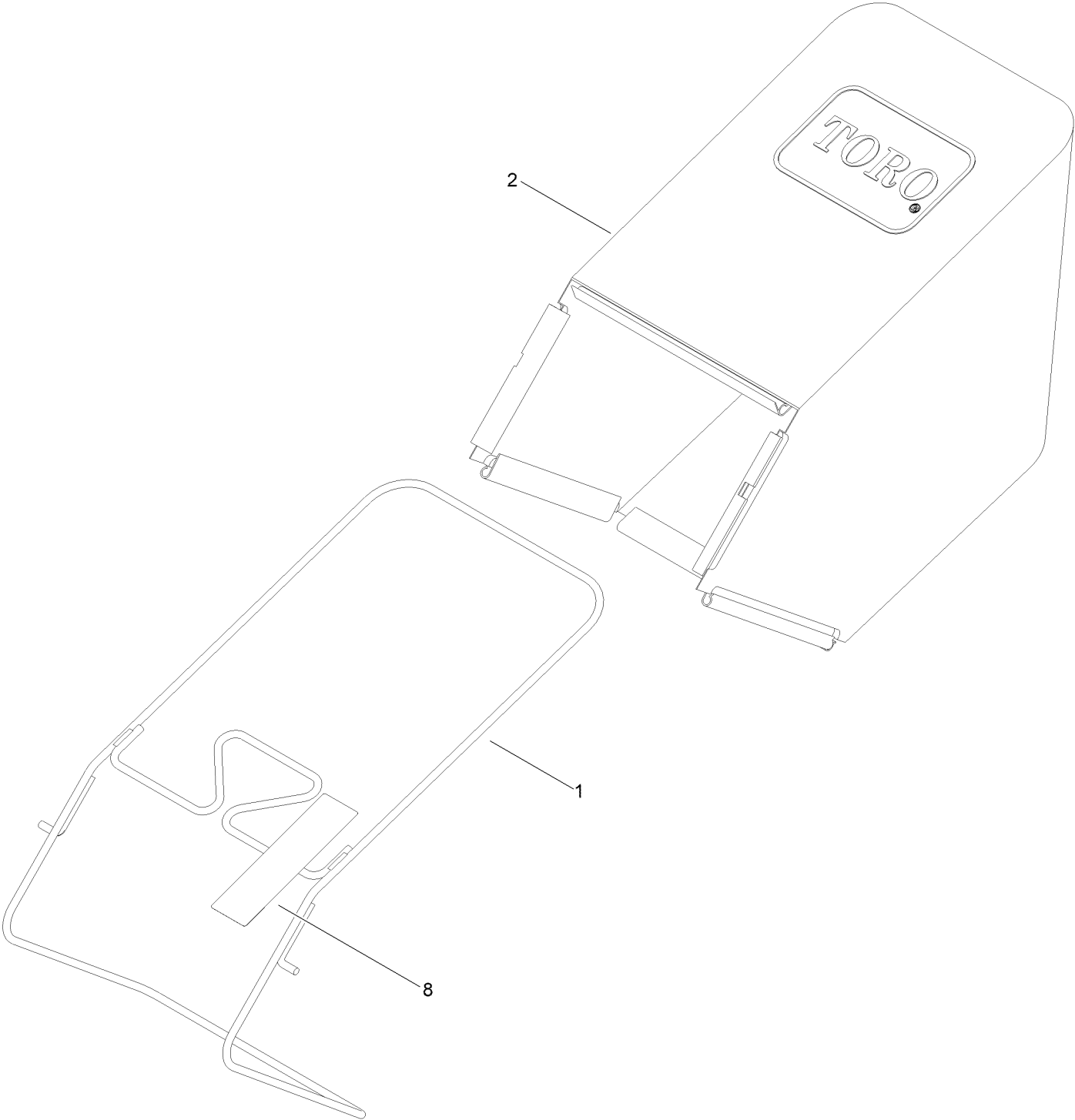
# Housing Assembly



## Housing Assembly (continued)

<i>Ref.</i>	<i>Part Number</i>	<i>Qty.</i>	<i>Description</i>	<i>Ref.</i>	<i>Part Number</i>	<i>Qty.</i>	<i>Description</i>
1	145-5525-01	1	Housing-Deck	10	127-0723	1	Cover-Belt
1:2	94-8072	1	Decal-Danger	11	127-6831	3	Screw-HWH
2	145-5506	1	Chute-Sp/Awd, 21 In	12	127-0730	1	Bracket-Cable
3	145-5517	1	Deflector-Rear ASM	16	145-5518	1	Bumper
4	147-0465	1	Spring-Torsion	18	130-6658	7	Screw-Flange, Plastic
5	147-0466	1	Spring-Torsion	19	131-0837	2	Screw-Shoulder, HHF
6	147-0443	1	Shield-Trailing	31	145-0854	1	Decal-Toro, Silver
7	117-1092	2	Screw-PTH	38	140-4184	2	Decal

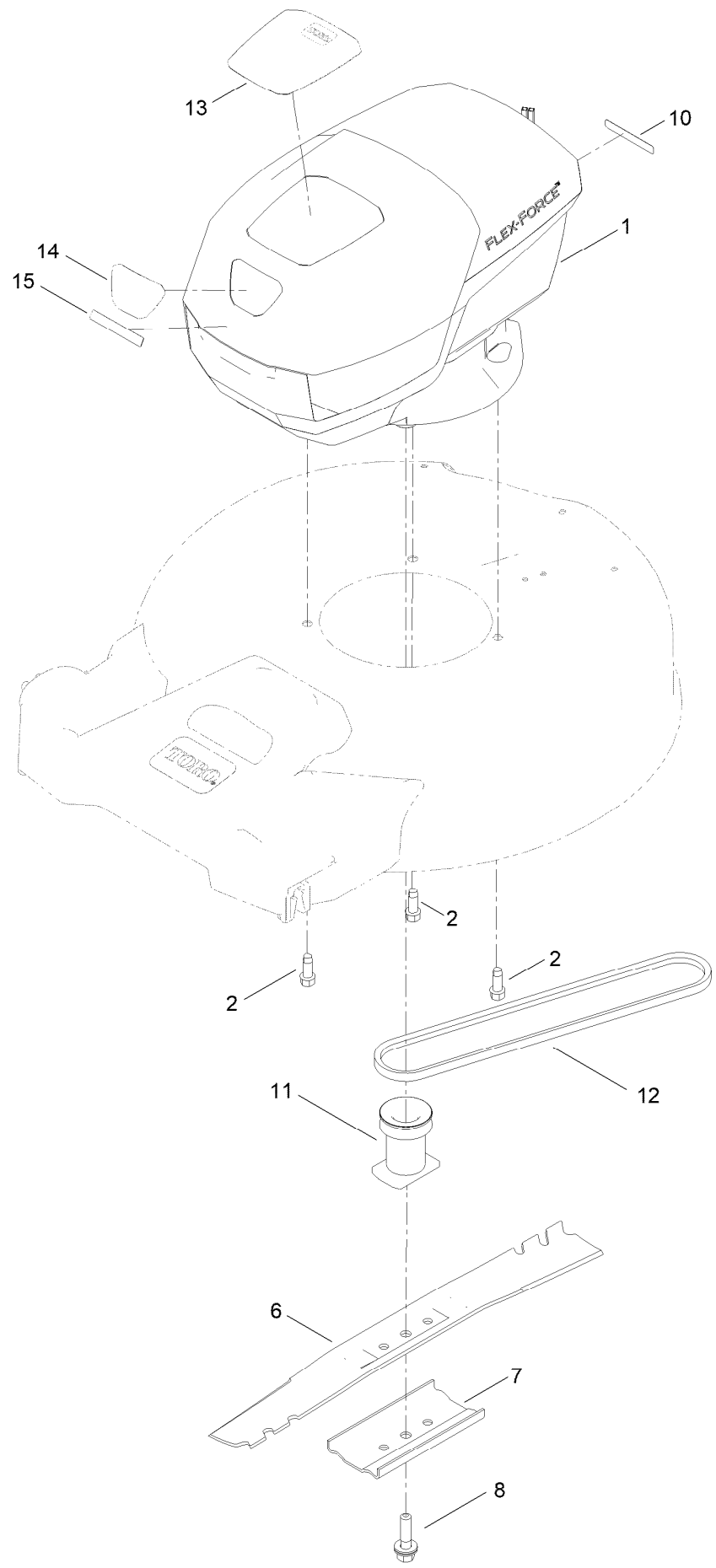
# Grass Bag and Frame Assembly



## Grass Bag and Frame Assembly (continued)

<i>Ref.</i>	<i>Part Number</i>	<i>Qty.</i>	<i>Description</i>
1	145-5512-03	1	Frame-Bag
2	147-0418	1	Bag ASM
8	139-8986	1	Decal-Warning (Bag)

# Motor Module and Blade Assembly



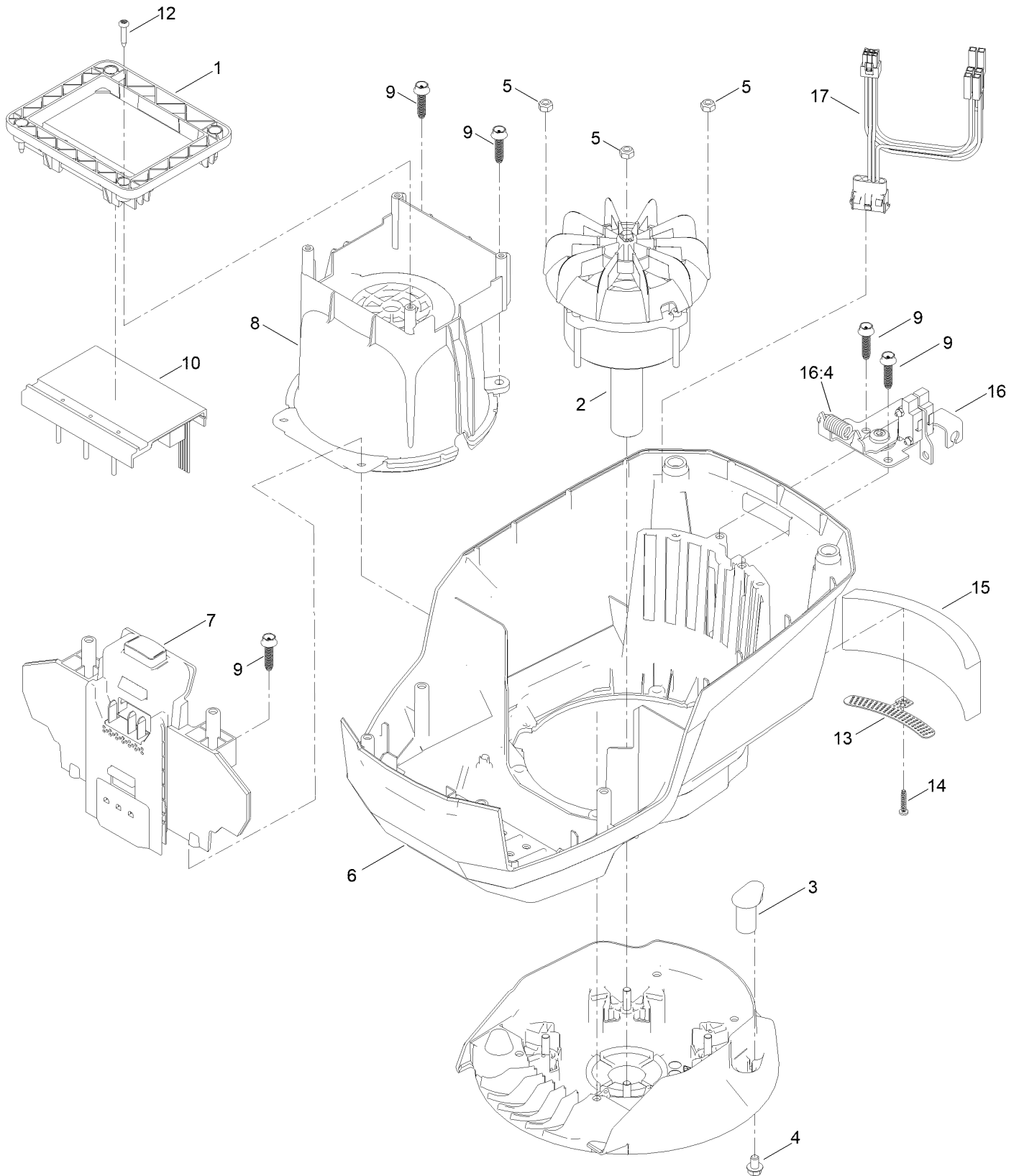


## Motor Module and Blade Assembly (continued)

<i>Ref.</i>	<i>Part Number</i>	<i>Qty.</i>	<i>Description</i>	<i>Ref.</i>	<i>Part Number</i>	<i>Qty.</i>	<i>Description</i>
1	138-6660	1	Module-Motor	11	139-1816	1	Driver-Blade
2	95-1726	3	Screw-Taptite	12	115-4669	1	Belt-V
6	140-1274-03	1	Blade-21In (Mulch, Hs)	13	147-0586	1	Decal-Flexforce Brushless
7	108-3766-03	1	Support-Blade	14	147-0587	1	Decal
8	125-2466	1	Bolt-Blade	15	147-0588	1	Decal-Lithium
10	133-8061	1	Decal-Warning				

# Motor Module Assembly No. 138-6660

## Lower Shroud Assembly



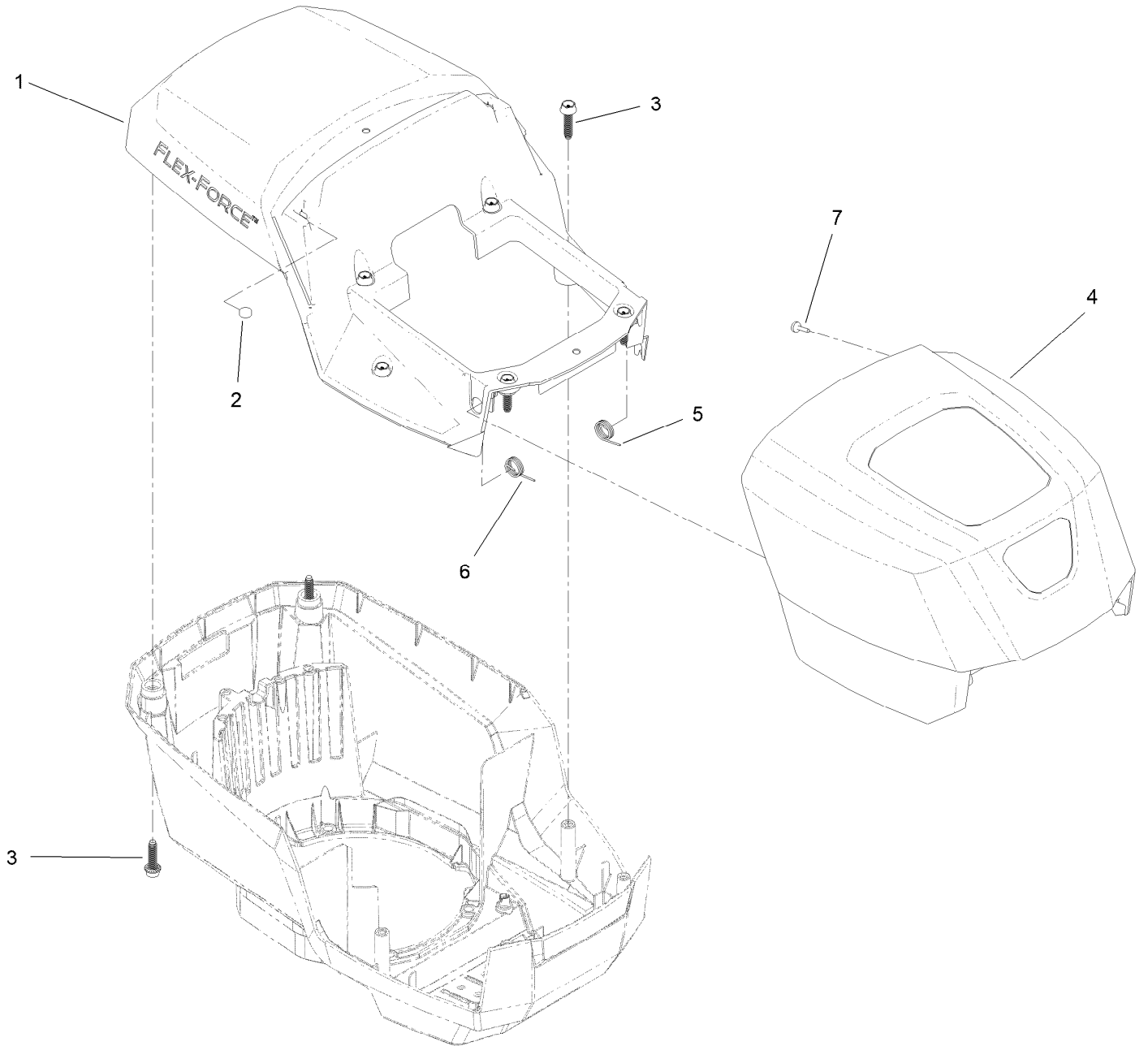
# Motor Module Assembly No. 138-6660

## Lower Shroud Assembly (continued)

<i>Ref.</i>	<i>Part Number</i>	<i>Qty.</i>	<i>Description</i>	<i>Ref.</i>	<i>Part Number</i>	<i>Qty.</i>	<i>Description</i>
1	139-6628	1	Base-Mount, Motor	10	138-6662	1	Controller-Motor, 60 Volt
2	138-6661	1	Motor, 60 Volt	12	139-6642	4	Screw
3	131-9732	3	Insert-Mount, Motor	13	139-6635	1	Bracket-Foam
4	137-4795	3	Screw	14	138-3273	1	Screw-Plastic, PPH
5	115-7373	4	Nut-Lock	15	139-6636	1	Foam
6	139-6631	1	Shroud-Lower	16	133-1918	1	Bail Switch ASM
7	139-6632	1	Battery Reciever ASM	16:4	145-5800	1	Spring-Extension
8	139-6633	1	Shroud-Motor	17	139-6637	1	Harness-Wire
9	130-6658	6	Screw-Flange, Plastic				

# Motor Module Assembly No. 138-6660

## Hood and Upper Shroud Assembly

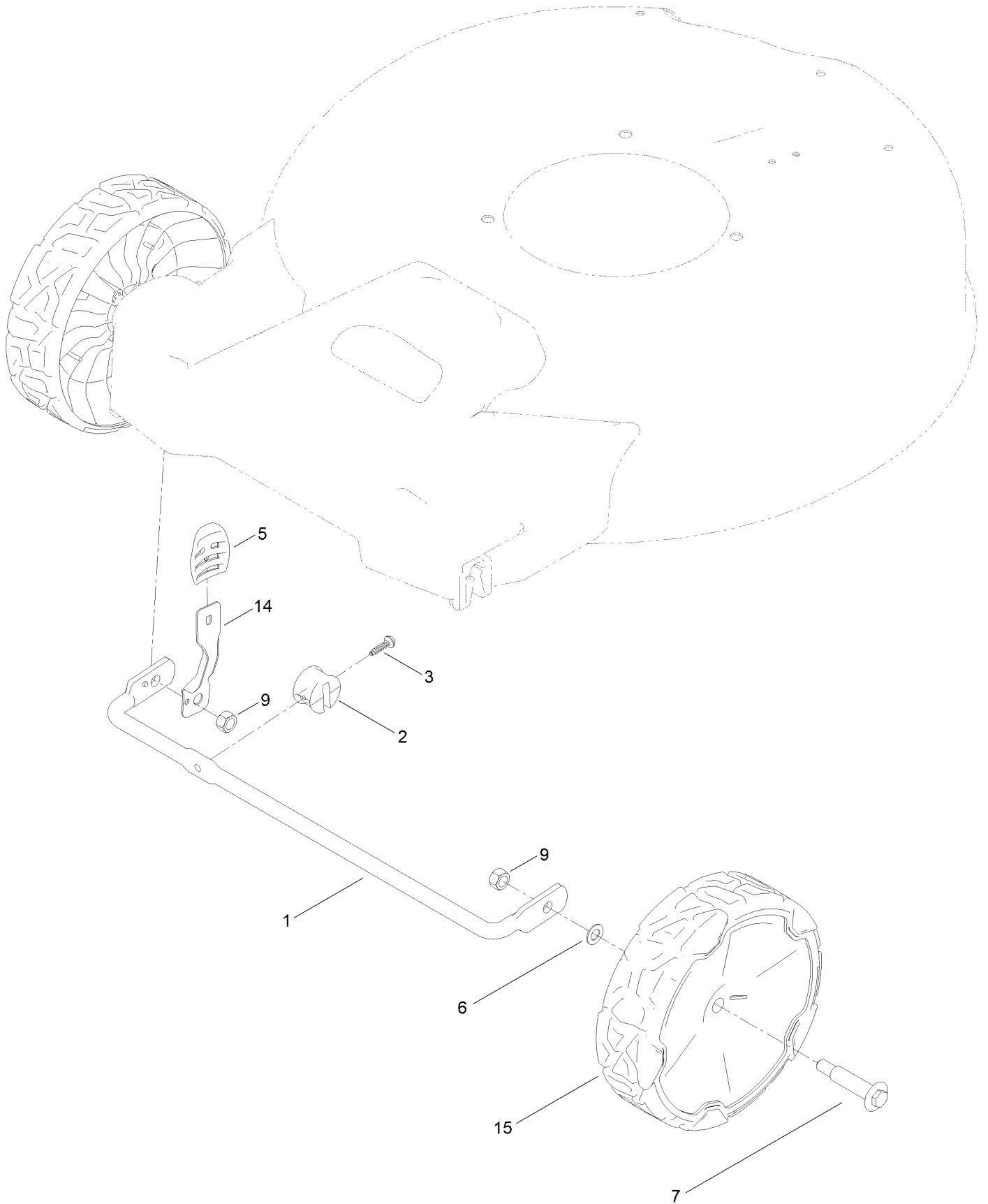


# Motor Module Assembly No. 138-6660

## Hood and Upper Shroud Assembly (continued)

<i>Ref.</i>	<i>Part Number</i>	<i>Qty.</i>	<i>Description</i>	<i>Ref.</i>	<i>Part Number</i>	<i>Qty.</i>	<i>Description</i>
1	139-6638	1	Shroud-Upper	5	139-6640	1	Spring-LH
2	114-5896	2	Magnet	6	139-6641	1	Spring-RH
3	130-6658	8	Screw-Flange, Plastic	7	95-4234	2	Screw-PPH
4	139-6639	1	Hood				

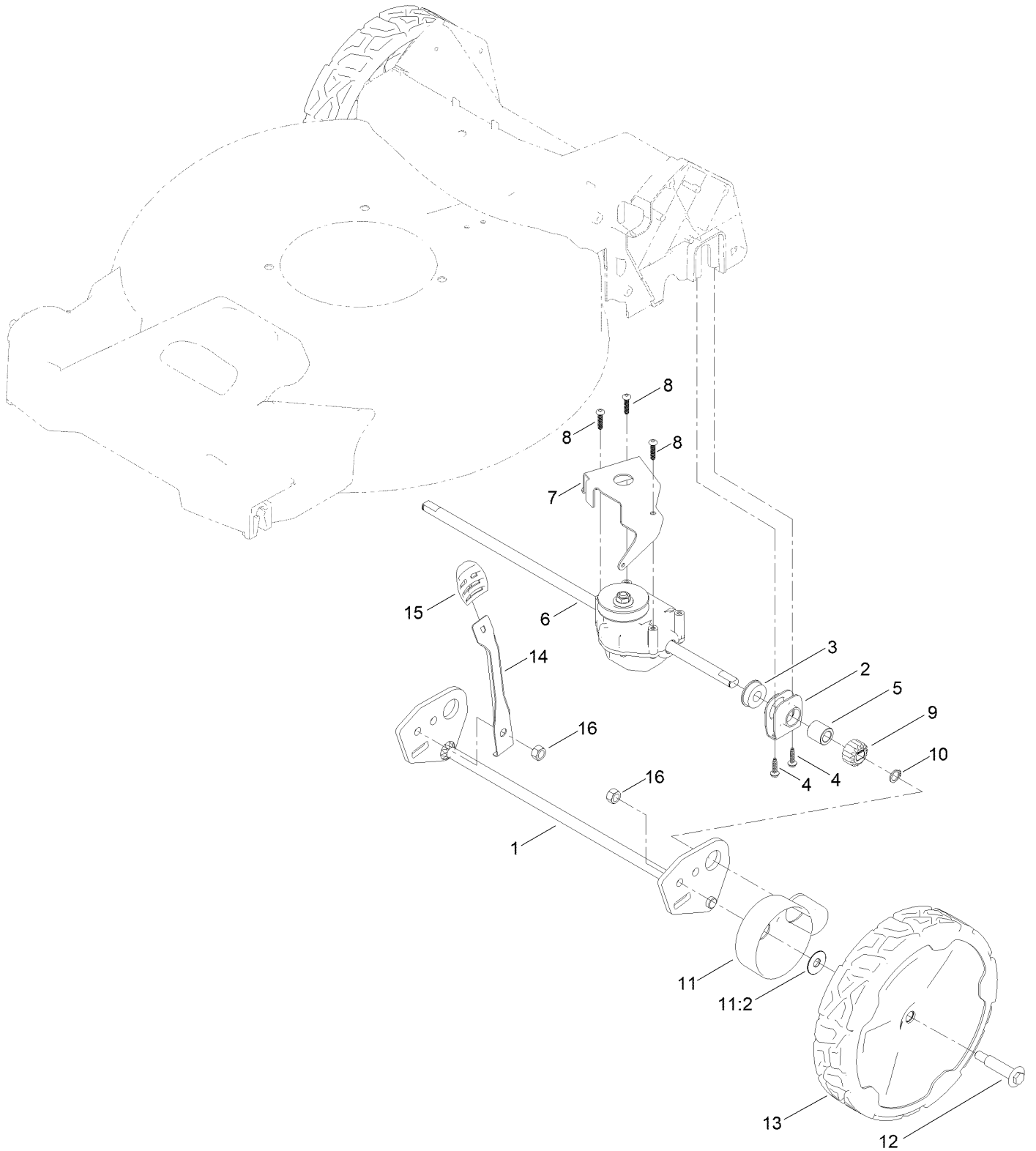
# Front Wheel and Height-of-Cut Assembly



## Front Wheel and Height-of-Cut Assembly (continued)

<i>Ref.</i>	<i>Part Number</i>	<i>Qty.</i>	<i>Description</i>	<i>Ref.</i>	<i>Part Number</i>	<i>Qty.</i>	<i>Description</i>
1	127-0668-03	1	Axle-Front	7	92-1057	2	Bolt-Shoulder
2	127-6800	1	Stop-Axle	9	603773	2	Nut-Hex Lock
3	127-6831	1	Screw-HWH	14	147-0435	1	Arm-Spring
5	105-3042	1	Knob-Lever, HOC	15	140-2355	2	ASM-8" Wheel, Idler
6	40-1940	2	Washer				

# Rear Wheel and Height-of-Cut Assembly

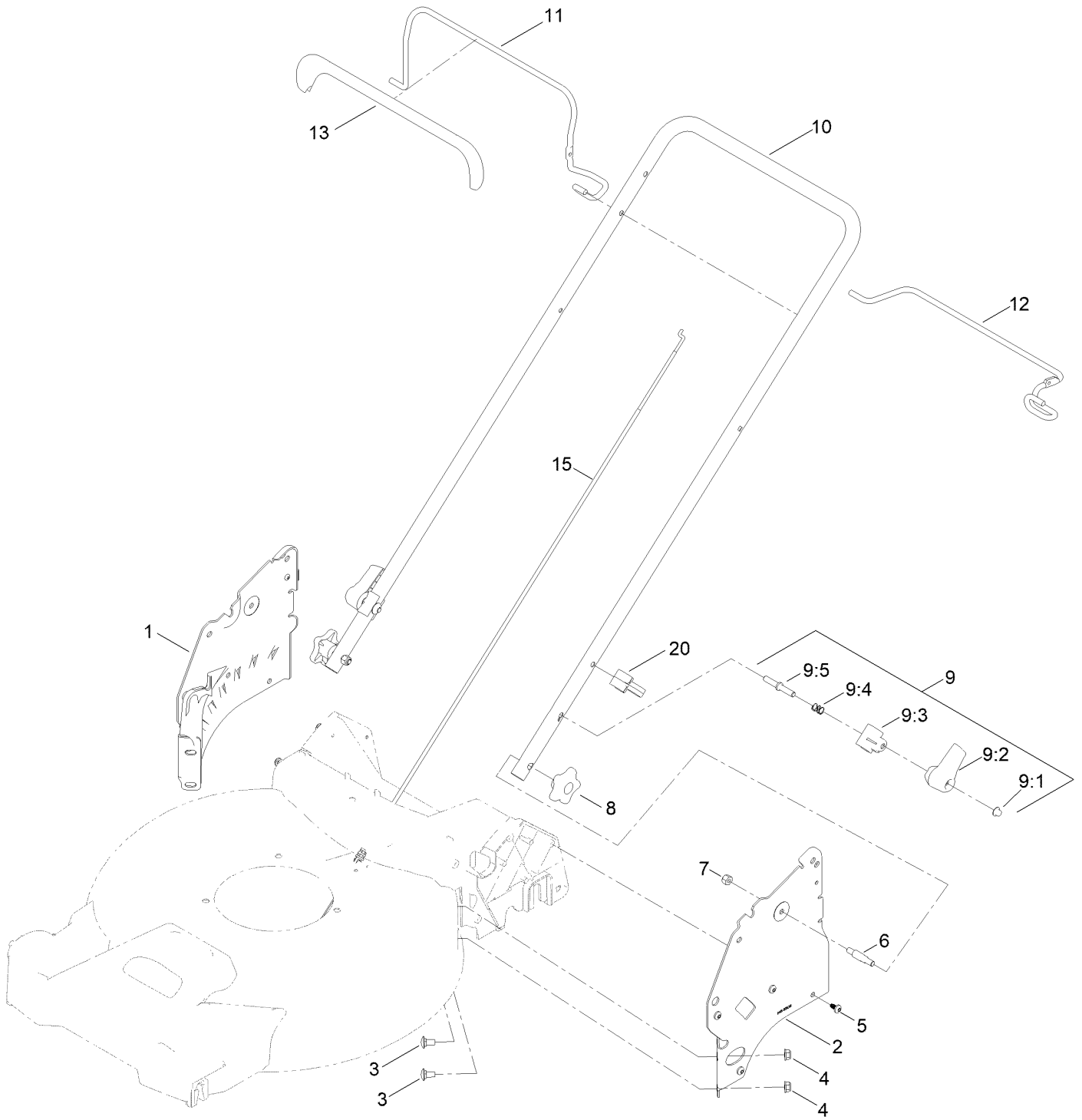




## Rear Wheel and Height-of-Cut Assembly (continued)

<i>Ref.</i>	<i>Part Number</i>	<i>Qty.</i>	<i>Description</i>	<i>Ref.</i>	<i>Part Number</i>	<i>Qty.</i>	<i>Description</i>
1	145-5501-03	1	Axle-Rear, Wa	10	32151-61	2	Ring-Retaining
2	138-3234	2	Retainer-Bearing	11	140-2362	2	ASM-Cover, Gear (Dk Gray)
3	104-8699	2	Bearing-Ball	11:2	614426	1	Washer-Stepped
4	127-6831	4	Screw-HWH	12	92-1057	2	Bolt-Shoulder
5	127-6896	2	Bushing-Sleeve	13	140-2350	2	ASM-9.65" Wheel, Geared
6	145-5515	1	Transmission (7:1 Ratio)	14	147-0437	1	Arm-Spring
7	145-5513-03	1	Bracket-Transmission	15	105-3042	1	Knob-Lever, HOC
8	108-7476	3	Screw-Plastite	16	603773	2	Nut-Hex Lock
9	131-5399	2	Gear-Pinion, 15T				

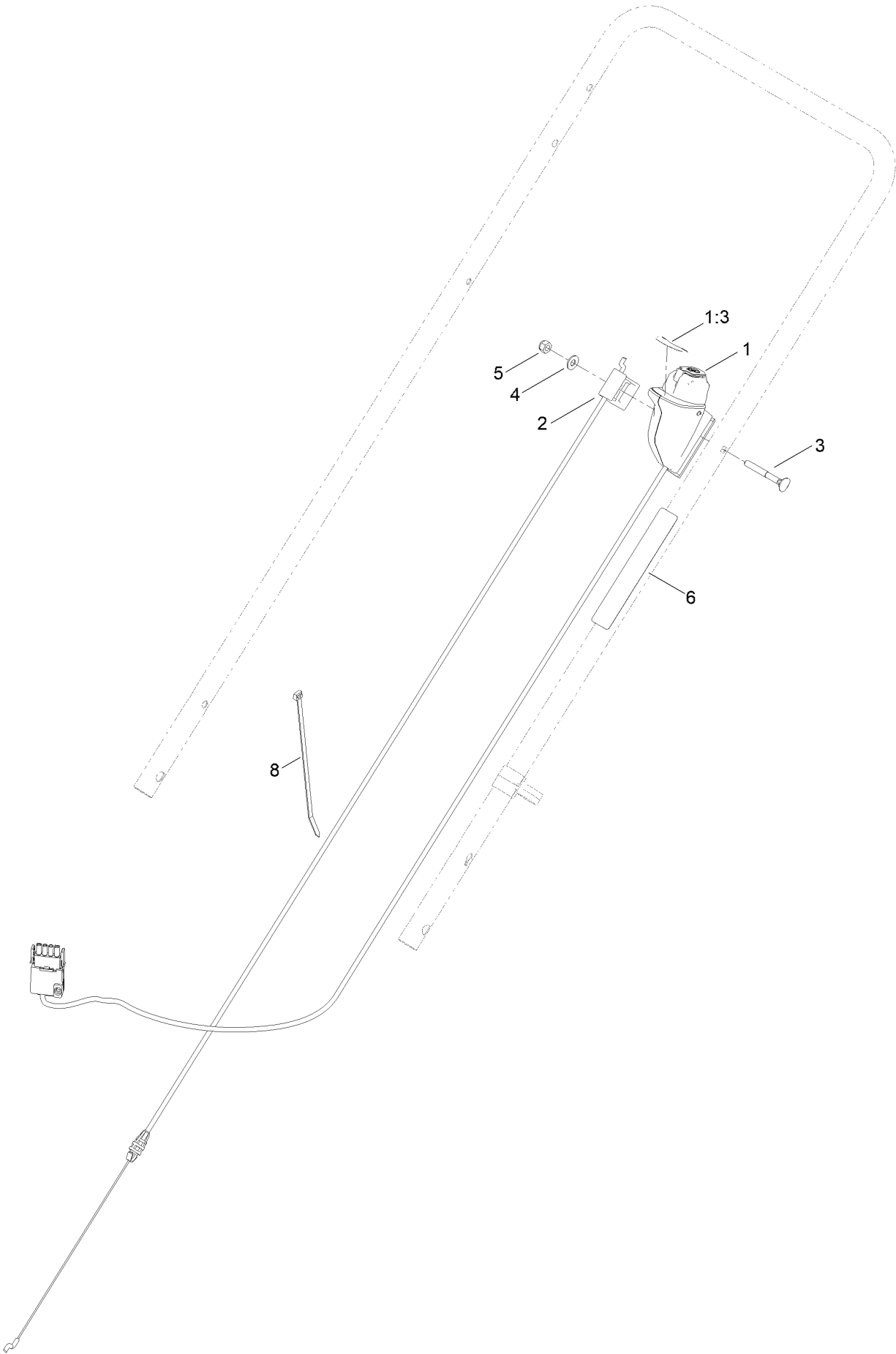
# Handle Assembly



## Handle Assembly (continued)

<i>Ref.</i>	<i>Part Number</i>	<i>Qty.</i>	<i>Description</i>	<i>Ref.</i>	<i>Part Number</i>	<i>Qty.</i>	<i>Description</i>
1	145-5507-05	1	Plate-Handle, RH	9:2	138-3248	1	Lever-Release
2	145-5508-05	1	Plate-Handle, LH	9:3	138-3253	1	Anchor-Spring
3	3230-18	4	Screw-CARR	9:4	115-2858	1	Spring-Compression
4	130-6655	4	Nut-Flange, NI	9:5	140-4158	1	Rod-Release
5	139-1679	8	Screw-Plastic,PH	10	145-5509-05	1	Handle-Upper
6	139-6588	2	Bolt-Shoulder, Handle	11	138-3270-03	1	Bail-Brake
7	3296-29	2	Nut-Lock, NI	12	137-4799-03	1	Bail-Traction
8	117-5976	2	Knob-Handle	13	137-4797	1	Cover-Bail
9	138-3249	2	Quick Release ASM	15	127-0733	1	Cable-Traction
9:1	140-4157	1	Nut-Push	20	114-7988	1	Guide-Cable

# Starter Assembly



## Starter Assembly (continued)

<i>Ref.</i>	<i>Part Number</i>	<i>Qty.</i>	<i>Description</i>	<i>Ref.</i>	<i>Part Number</i>	<i>Qty.</i>	<i>Description</i>
1	133-8140	1	Starter Switch ASM	4	3256-1	1	Washer-Flat
1:3	145-1507	1	Starter Button Service ASM	5	3296-73	1	Nut-Lock, NI
2	147-0444	1	Cable - Brake	6	144-3175	1	Decal-Controls (60V Start)
3	92-2269	1	Screw-Handle	8	614249	1	Tie-Cable

# Attachments and Accessories

## For 21326T Flex-Force Power System 60V MAX 21in Recycler Lawn Mower with SmartStow

<b>Product Name</b>	<b>Model/Part</b>
SD Chute Kit .....	147-0520
Smart Stow Walk Power Mower Cover .....	490-2012
Lawn Striping Kit with 22in Roller .....	20601
Bag-Walk Behind (Toro).....	490-7318
60V LI-ION, Battery 4.0 AH .....	88640
60V LI-ION Battery 5.0 AH.....	88650
60V LI-ION Battery 6.0 AH.....	88660
60V LI-ION Battery 7.5 AH.....	88675
60V Battery Charger 2 AMP .....	88602
60V Rapid Battery Charger 5.4 AMP .....	88605
60V Cordless Blower (Bare Tool).....	51820T
60V Cordless Trimmer (Bare Tool).....	51830T
60v 24in Max Hedge Trimmer (Bare Tool).....	51840T
16in 60V Max Chainsaw (Bare Tool).....	51850T
Power Clear 21in 60V Cordless (Bare Tool).....	39901T

**Notes:**



**Count on it.**